

PARTS MANUAL

T6075-QB



Front-End Loader

M13019

Printed 2013, 06, 18

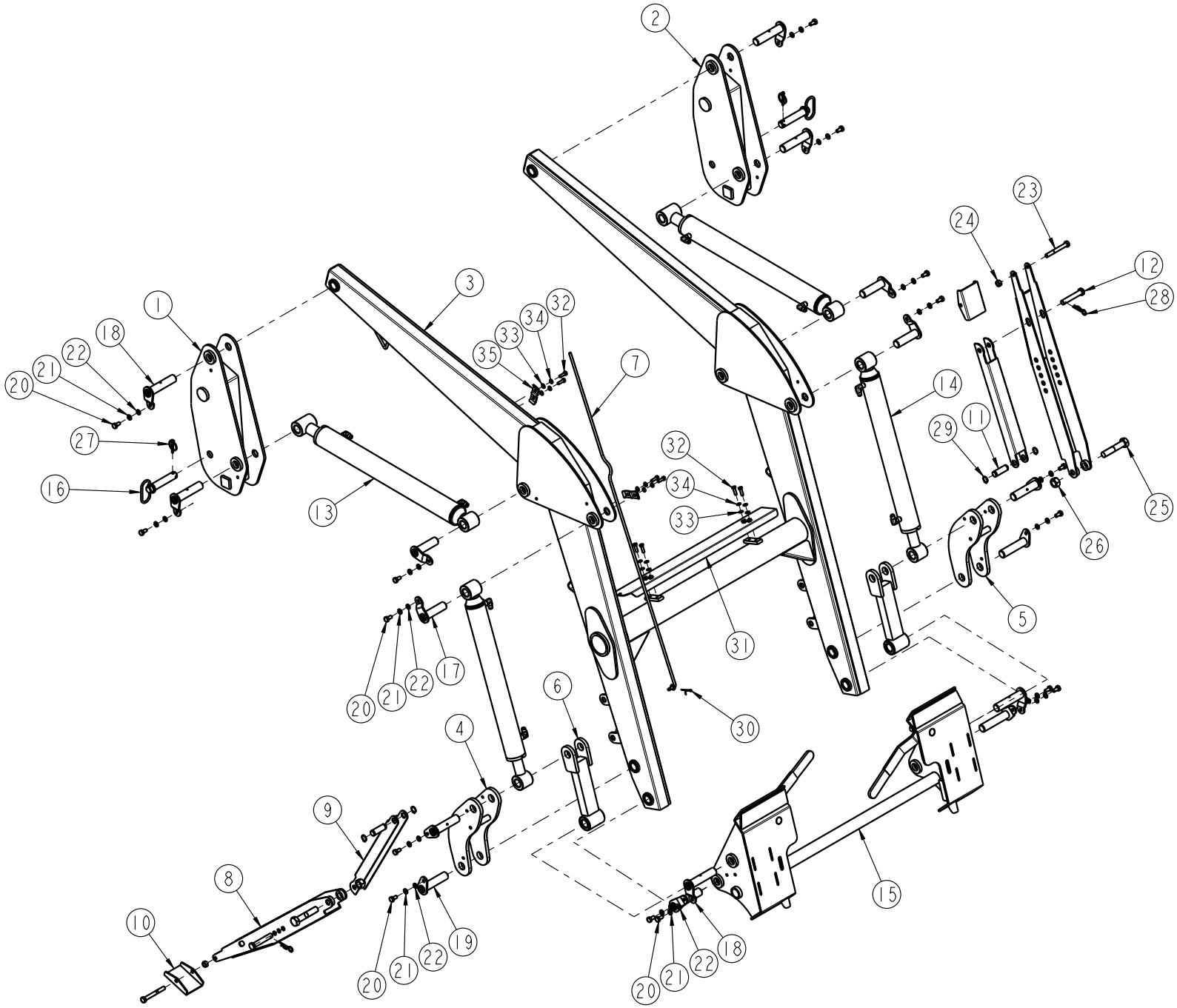
Table of Contents

(T6075-QB)

| | |
|-------------------------|----|
| Boom Assembly ----- | 2 |
| Coupler Assembly ----- | 4 |
| Bucket Assembly ----- | 6 |
| Mounting Kit ----- | 8 |
| Cylinder Assembly ----- | 10 |
| Hydraulic Parts ----- | 12 |
| Decal & Manual ----- | 14 |

5570D

BC060,00-D01



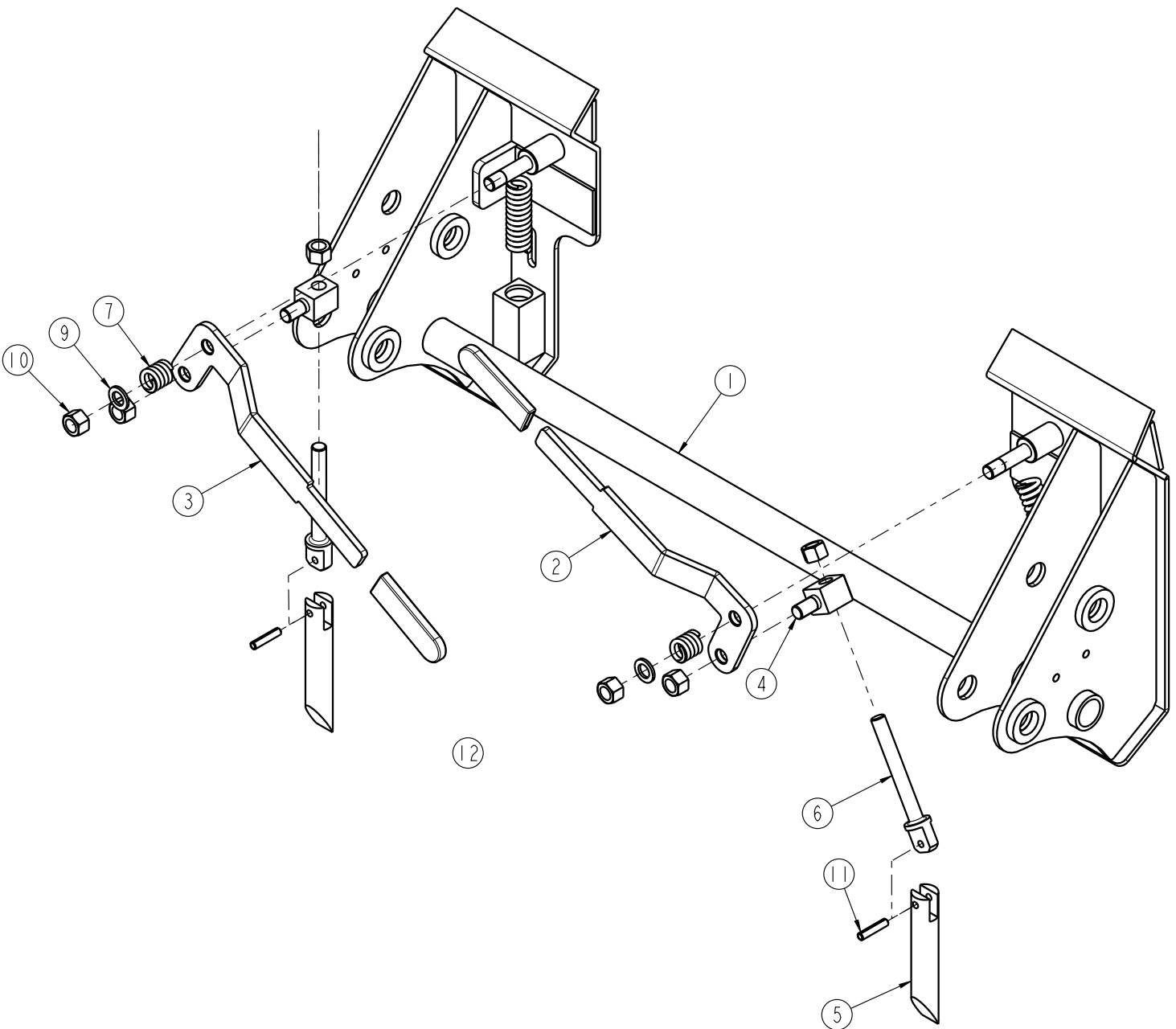
BOOM ASSEMBLY

BOOM ASSEMBLY

(P/N: 5570D)

| NO. | PART NUMBER | PART NAME | DESCRIPTION | Q'TY | REMARK |
|-----|---------------|----------------|--------------------|------|--------|
| 1 | 5570B-3100 | COLUMN RH. | | 1 | |
| 2 | 5570B-3200 | COLUMN, LH. | | 1 | |
| 3 | 5570C-0000 | BOOM | | 1 | |
| 4 | 5570C-6000 | BRACKET RH | | 1 | |
| 5 | 5570C-7000 | BRACKET LH | | 1 | |
| 6 | 5570B-4100 | ROD | | 2 | |
| 7 | ALK40-09-4500 | INDICATOR ASSY | | 1 | |
| 8 | S7085A-8100 | STAND | | 2 | |
| 9 | S7085A-8200 | LINK-STD | 4† | 2 | |
| 10 | S7085A-8400 | SUPPORTER | 4† | 2 | |
| 11 | S7085A-8520 | PIN | ∅20 | 2 | |
| 12 | S7085A-8530 | PIN | ∅16x100L | 2 | |
| 13 | 5570C-09-8000 | BOOM CYLINDER | ∅65x∅40x830LxST515 | 2 | |
| 14 | 5570B-09-900A | CYLINDER BOOM | ∅60x∅35x750LxST440 | 2 | |
| 15 | B1000B-0000 | COUPLER B/C | | 1 | |
| 16 | P25C-1030 | PIN | ∅25 | 2 | |
| 17 | P28A-100A | PIN | | 4 | |
| 18 | P28A-125A | PIN | ∅28 | 8 | |
| 19 | P28B-115A | PIN | | 4 | |
| 20 | BH1044150Z | BOLT(10.9T) | M10x20L | 16 | |
| 21 | WS10M | SPRING WASHER | M10 | 16 | |
| 22 | WP10M | PLAIN WASHER | M10 | 16 | |
| 23 | BH12K7175Z | BOLT(10.9T) | M12x100L | 2 | |
| 24 | NL12175Z | LOCK NUT | M12 | 2 | |
| 25 | BH20K5250X | BOLT(10.9T) | M20x100L | 2 | |
| 26 | NL20250Z | LOCK NUT | M20 | 2 | |
| 27 | AL20-98-9990 | LINK PIN | | 2 | |
| 28 | PR30045 | R-PIN | ∅3 | 2 | |
| 29 | SN20M | SNAP RING | ∅20 | 4 | |
| 30 | PD03025 | COTTER PIN | ∅3x25L | 1 | |
| 31 | 5570C-7010 | COVER | 2.3† | 1 | |
| 32 | BH0855125Z | BOLT | M8x25L | 8 | |
| 33 | WP08M | PLAIN WASHER | M8 | 8 | |
| 34 | WS08M | SPRING WASHER | M8 | 8 | |
| 35 | ALN47-07-3100 | COVER | 4† | 2 | |

COUPLER ASSEMBLY



B1000B-0000

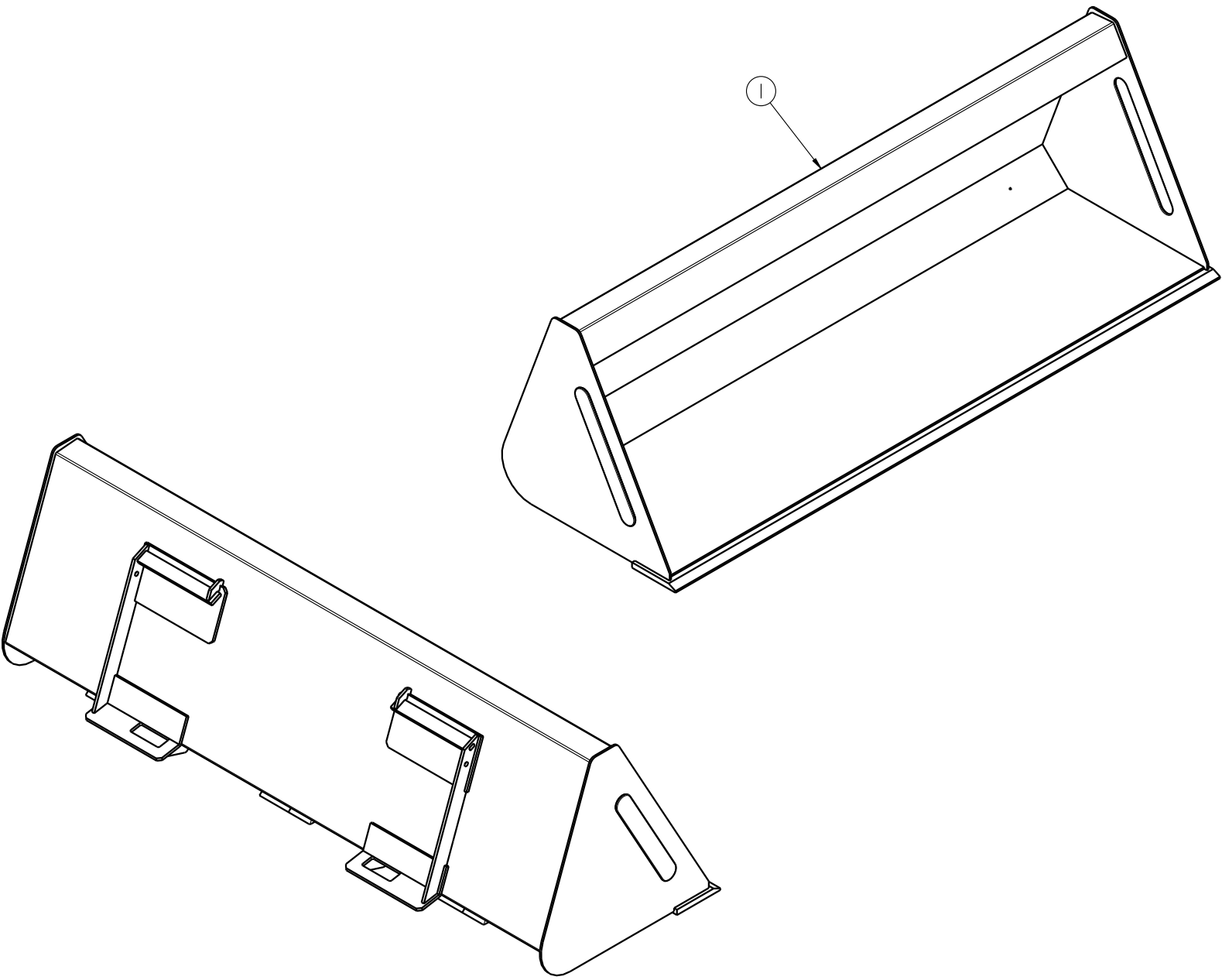
AT003.00-D01

COUPLER ASSEMBLY

(P/N: B1000B-0000)

| NO. | PART NUMBER | PART NAME | DESCRIPTION | Q'TY | REMARK |
|-----|-------------|--------------|-------------|------|--------|
| 1 | B1000B-200C | COUPLER B/C | | 1 | |
| 2 | B0945A-111B | LEVER RH. | 8† | 1 | |
| 3 | B0945A-112B | LEVER LH. | 8† | 1 | |
| 4 | B0945A-1210 | PIN | 30x30 | 2 | |
| 5 | B0945A-1220 | PIN | ∅30 | 2 | |
| 6 | B0945A-1230 | PIN | ∅30 | 2 | |
| 7 | B0945A-1310 | SPRING | ∅5 | 2 | |
| 8 | B0945A-132A | SPRING | | 2 | |
| 9 | WPI6M | PLAIN WASHER | M16 | 2 | |
| 10 | NL16200Z | LOCK NUT | M16 | 6 | |
| 11 | PS08040 | SPRING PIN | ∅8x40L | 2 | |
| 12 | B0945A-0090 | HANDLE | | 2 | |

BUCKET ASSEMBLY



LP58-02-0000

BK005.00-D01

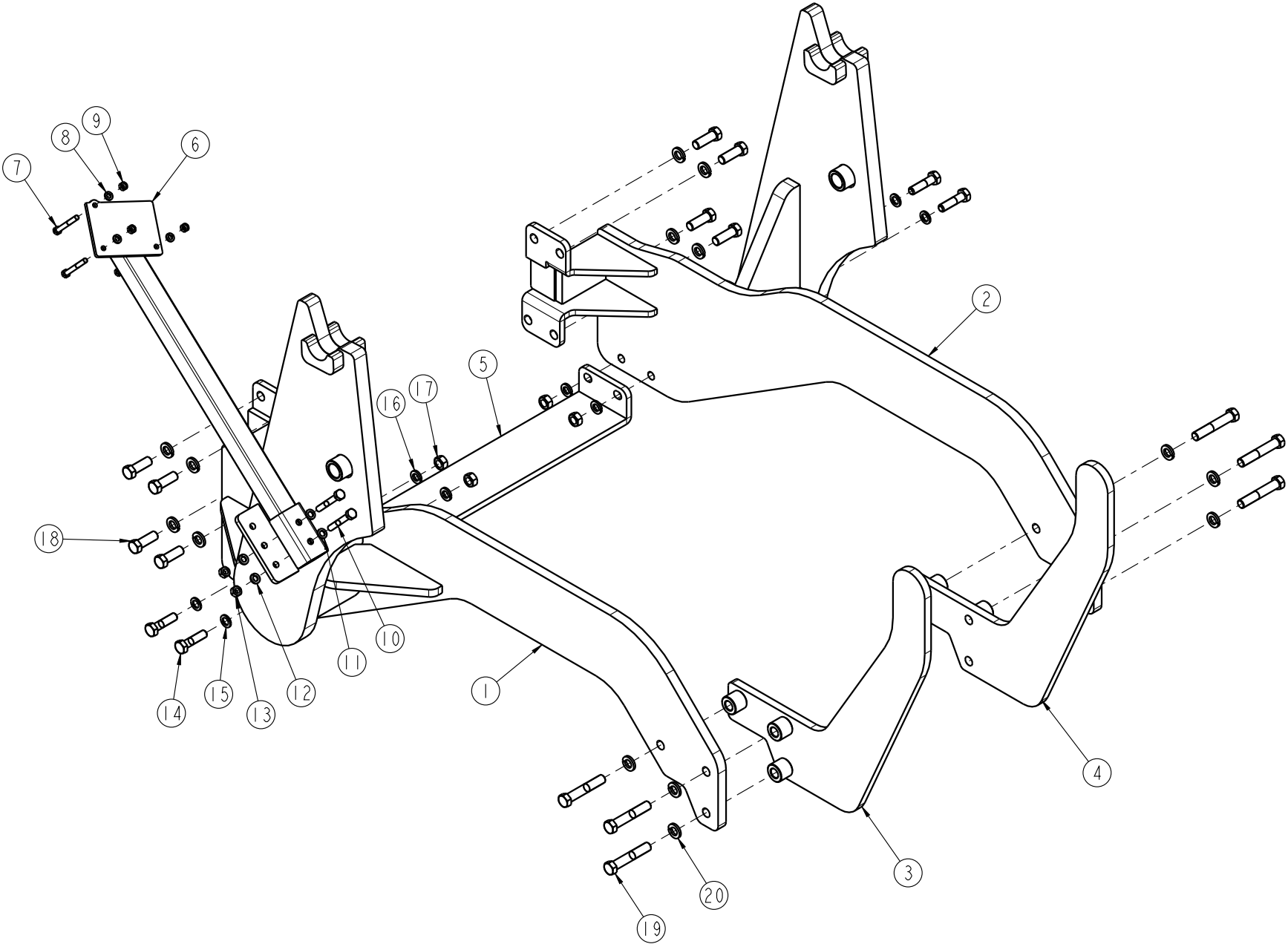
BUCKET ASSEMBLY

(P/N: LP58-02-0000)

| NO. | PART NUMBER | PART NAME | DESCRIPTION | Q'TY | REMARK |
|-----|--------------|-------------|-------------|------|--------|
| 1 | LP58-02-0000 | BUCKET ASSY | L=1880 | 1 | |

TT75C

TT75C.00-D01



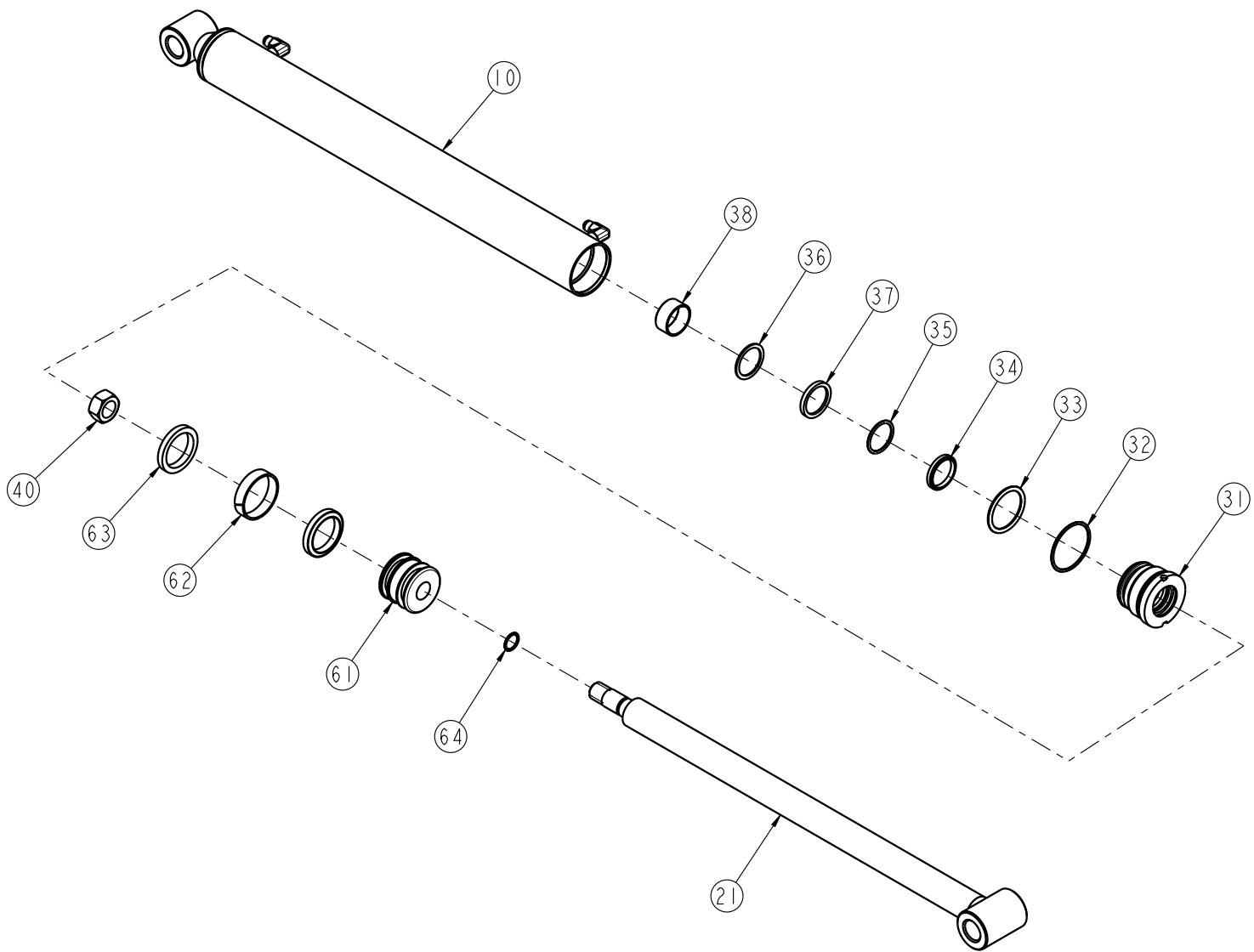
MOUNTING KIT

MOUNTING KIT

(P/N: TT75C)

| NO. | PART NUMBER | PART NAME | DESCRIPTION | Q'TY | REMARK |
|-----|-------------|----------------|--------------|------|--------|
| 1 | TT75A-1100 | SUB FRAME, RH. | | 1 | |
| 2 | TT75A-1200 | SUB FRAME, LH. | | 1 | |
| 3 | TT50A-4100 | BUMPER, RH. | | 1 | |
| 4 | TT50A-4200 | BUMPER, LH. | | 1 | |
| 5 | TT75A-6100 | UNDER BAR | 12† | 1 | |
| 6 | TT75C-8100 | VALVE BRACKET | | 1 | |
| 7 | BH08E6125Z | BOLT | M8x70L | 3 | |
| 8 | WS08M | SPRING WASHER | M8 | 3 | |
| 9 | NH08125Z | NUT | M8 | 3 | |
| 10 | BH10F6150Z | BOLT(10.9T) | M10x75L | 2 | |
| 11 | WP10M | PLAIN WASHER | M10 | 2 | |
| 12 | WS10M | SPRING WASHER | M10 | 2 | |
| 13 | NH10150Z | NUT | M10 | 2 | |
| 14 | BH14B7200Z | BOLT(10.9T) | M14x55L | 4 | |
| 15 | WP14M | PLAIN WASHER | M14 | 4 | |
| 16 | WS14M | SPRING WASHER | M14 | 4 | |
| 17 | NH14200Z | NUT | M14 | 4 | |
| 18 | BH1699150Z | BOLT(10.9T) | M16x45Lx1.5P | 8 | |
| 19 | BH1618150Z | BOLT(10.9T) | M16x90Lx1.5P | 6 | |
| 20 | WS16M | SPRING WASHER | M16 | 14 | |

CYLINDER ASSEMBLY



CYLINDER

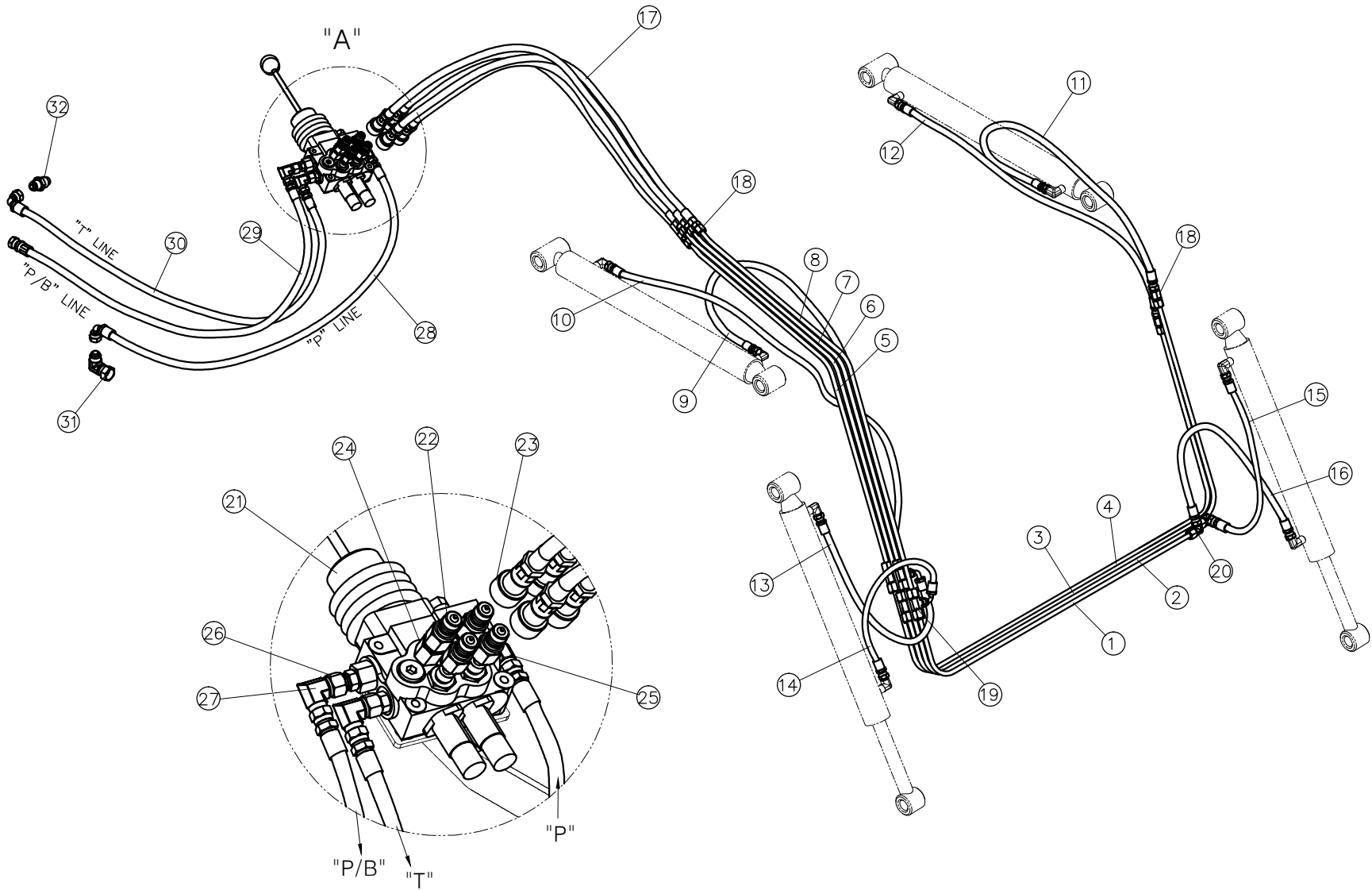
CYLINDER ASSEMBLY

| NO. | PART NAME | PART NUMBER | | Q'TY | REMARK |
|-----|--|------------------------|----------------------|------|--------|
| | | BUCKET (2150B-9000) | BOOM (2150C-8000) | | |
| 10 | TUBE | 2150B-05-1210 | 2150C-05-2210 | 1 | |
| 21 | ROD | 2150B-05-1010 | 2150C-05-2110 | 1 | |
| 31 | COVER ROD | CR6035 | CR6540 | 1 | |
| 32 | O-RING | 1BG60 | 1BG65 | 1 | |
| 33 | O-RING | 1BP50 | 1BP55 | 1 | |
| 34 | DUST SEAL | LBI 35x43x5/6.5 | LBI 40x48x5/6.5 | 1 | |
| 35 | O-RING | 1BP30 | 1BP40 | 1 | |
| 36 | BACK UP RING | BRT3 35x45x2 | BRT3 40x50x2 | 1 | |
| 37 | U-PACKING | ISI 35x45x6 | ISI 40x50x6 | 1 | |
| 38 | DU BUSH | DU3520 | DU4020 | 1 | |
| 40 | NUT | CY-M20 | CY-M24 | 1 | |
| 61 | PISTON | PI6035-W | PI6540-W | 1 | |
| 62 | WEAR-RING | WRW 60x55x15 | WRW 65x60x15 | 1 | |
| 63 | U-PACKING | ODI 60x45x9 | ODI 65x50x10 | 2 | |
| 64 | O-RING | 1BP21 | 1BP21 | 1 | |
| | SEAL KIT (Include 32,33,34,35 36,37,63,64) | SEAL 6035 | SEAL 6540 | | |

2150C

2150C.00-CY-T01

HYDRAULIC PARTS



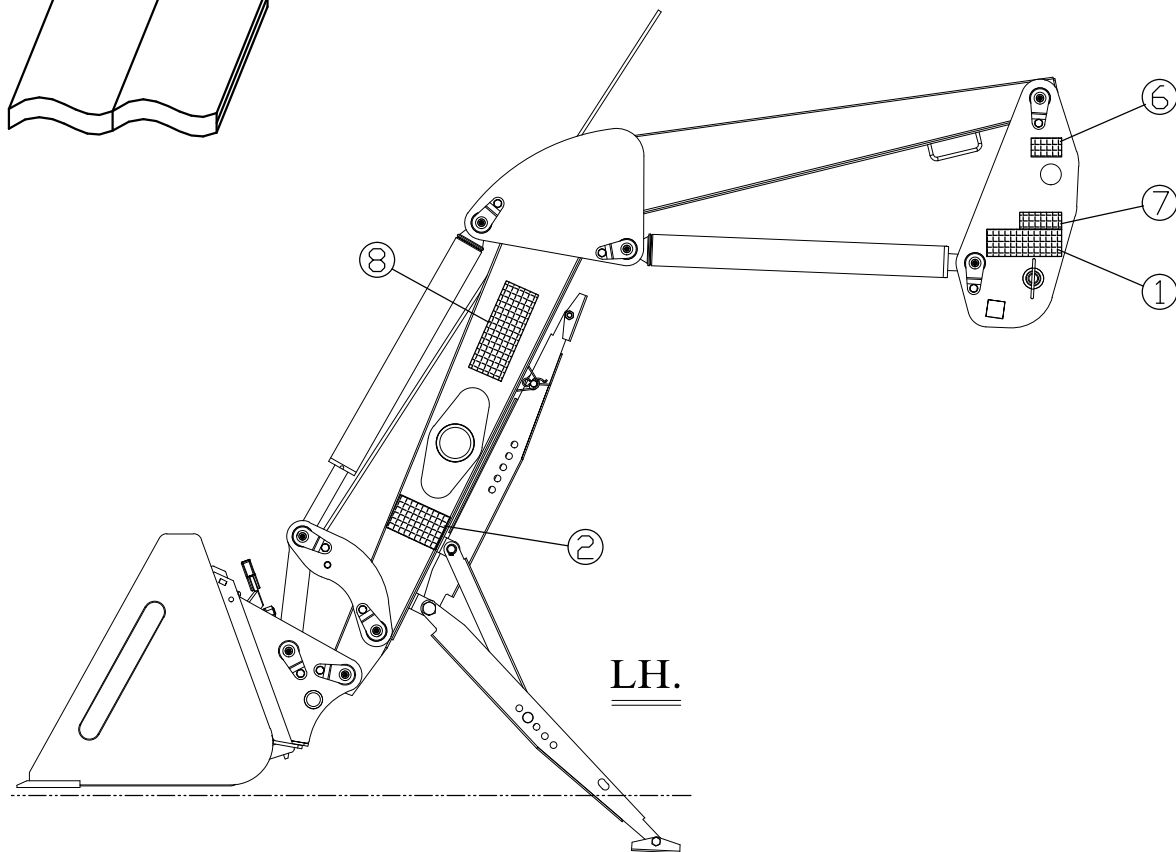
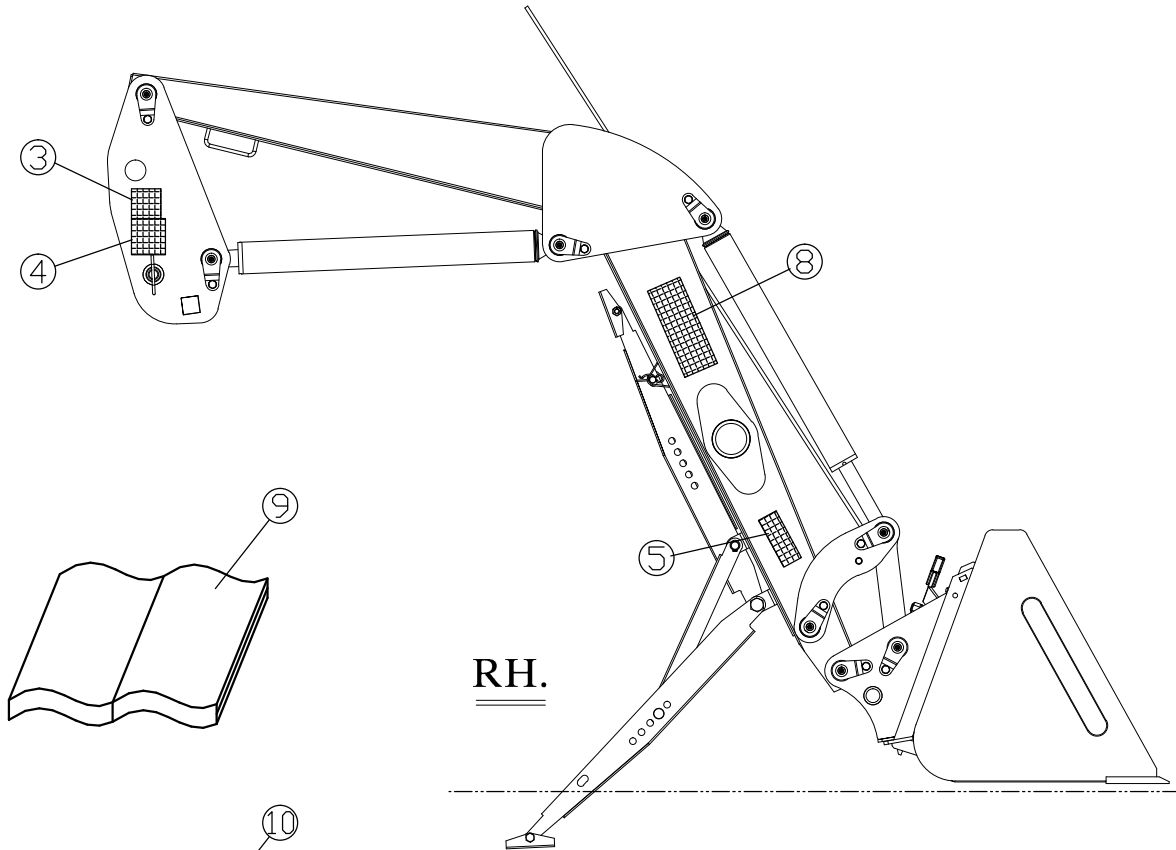
T6075-QB

HP065.00-D01

HYDRAULIC PARTS

| NO. | PART NAME | PART NUMBER | Q'TY | REMARK |
|-----|---------------|----------------|------|-------------|
| 1 | PIPE | 2150C-07-1100 | 1 | |
| 2 | PIPE | 2150C-07-1200 | 1 | |
| 3 | PIPE | 2150C-07-1300 | 1 | |
| 4 | PIPE | 2150C-07-1400 | 1 | |
| 5 | PIPE | 2150C-07-1500 | 1 | |
| 6 | PIPE | 2150C-07-1600 | 1 | |
| 7 | PIPE | 2150C-07-1700 | 1 | |
| 8 | PIPE | 2150C-07-1800 | 1 | |
| 9 | HOSE ASS'Y | 5PG1-0310 | 1 | |
| 10 | HOSE ASS'Y | 5PG1-0300 | 1 | |
| 11 | HOSE ASS'Y | 5PG1-0270 | 1 | |
| 12 | HOSE ASS'Y | 5PG1-0280 | 1 | |
| 13 | HOSE ASS'Y | 5PG1-0320 | 1 | |
| 14 | HOSE ASS'Y | 5PG1-0250 | 1 | |
| 15 | HOSE ASS'Y | 5PG1-0160 | 1 | |
| 16 | HOSE ASS'Y | 5PG1-0170 | 1 | |
| 17 | HOSE ASS'Y | 3P81-1310 | 4 | |
| 18 | NIPPLE | ALK 28-07-9800 | 6 | |
| 19 | TEE NIPPLE | ALK 28-07-9900 | 4 | |
| 20 | ELBOW NIPPLE | ALK 28-07-9600 | 2 | |
| 21 | CONTROL VALVE | HDM03/2 | 1 | BESKO VALVE |
| 22 | Q-COUPLER(M) | ALK28-07-720A | 4 | |
| 23 | Q-COUPLER(F) | ALK28-07-710A | 4 | |
| 24 | O-Ring NIPPLE | AL25-07-940B | 4 | |
| 25 | ELBOW NIPPLE | ALK28-07-781B | 1 | |
| 26 | O-Ring NIPPLE | 7860-07-7080 | 2 | |
| 27 | ELBOW NIPPLE | S1600G-07-0010 | 2 | |
| 28 | HOSE ASS'Y | 1P22-0070 | 1 | P LINE |
| 29 | HOSE ASS'Y | 1P22-0080 | 1 | P/B LINE |
| 30 | HOSE ASS'Y | 1P22-0090 | 1 | T LINE |
| 31 | ELBOW NIPPLE | 7860-07-7050 | 1 | |
| 32 | NIPPLE | TT75A-07-7010 | 1 | |
| | | TT75A-07-7020 | 1 | |

DECAL & MANUAL



DECAL & MANUAL

| NO. | PART NAME | PART NUMBER | Q'TY | REMARK |
|-----|-------------------|-------------|------|---------|
| 1 | DECAL | 03L01 | 1 | |
| 2 | DECAL | 03L02 | 1 | |
| 3 | DECAL | 03L03 | 1 | |
| 4 | DECAL | 03L04 | 1 | |
| 5 | DECAL | 03L05 | 1 | |
| 6 | DECAL | 03L06 | 1 | |
| 7 | DECAL | 03L00 | 1 | |
| 8 | DECAL | 13L06 | 2 | "T6075" |
| 9 | OPERATOR'S MANUAL | M03L01 | 1 | |
| 10 | PARTS MANUAL | M13019 | 1 | |