

# SHIMANO®

**SHIMANO EUROPA**

Industrieweg 24 NL-8071 CT Nunspeetâ Holland  
Phone 31-3412-72222

**SHIMANO AMERICAN CORPORATION**

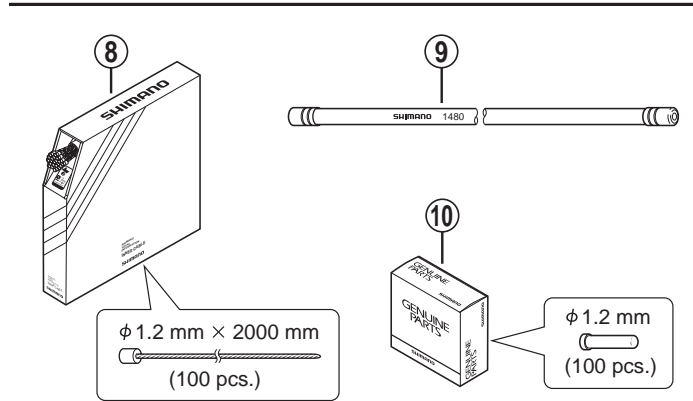
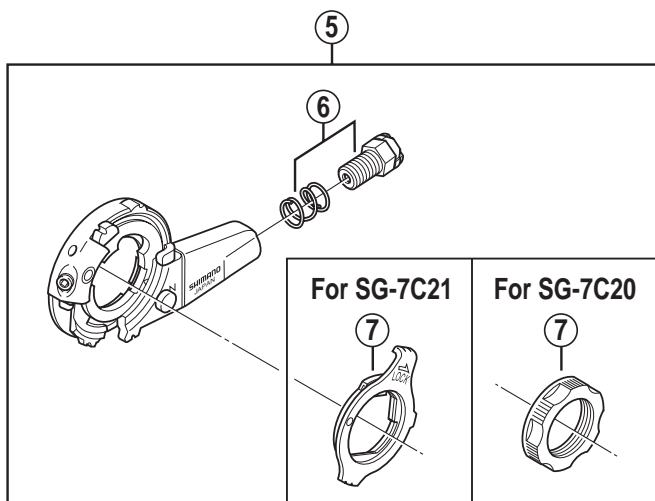
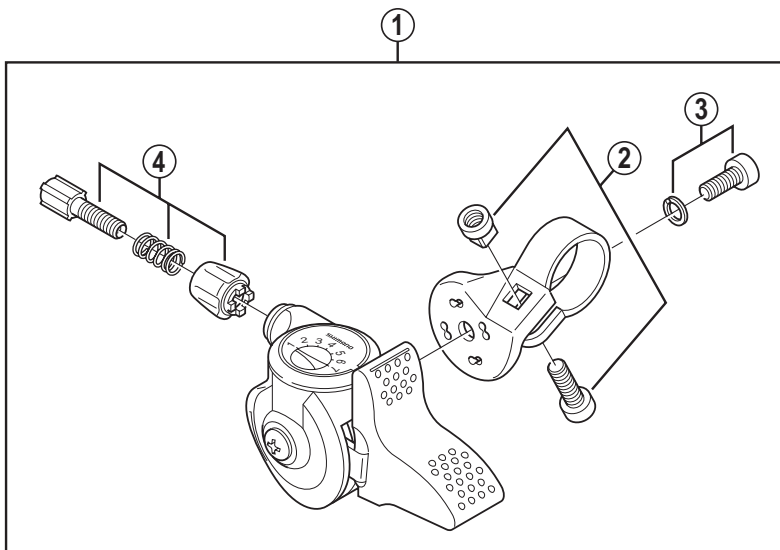
One Holland Irvine CA 92618 U.S.A.  
Phone 714-951-5003

## Spare parts list for after market.

- You may photocopy this sheet and use it as an order form.
- Sie können dieses Blatt kopieren und als Bestellformular verwenden.
- Vous pouvez photocopier cette feuille et l'utiliser comme bon de commande.
- Dit blad kan gecopieerd en als bestelformulier gebruikt worden.
- Potete fotocopiare questo foglio e usarlo come modulo di commissione.

### SHIMANO NEXUS Rapidfire Lever

## ST-7S20 For 7-Speed



	Q'TY	ITEM NO.	SHIMANO CODE NO.	DESCRIPTION
		1	61W9804	R.H. Shifting Lever Unit
		2	61W9801	Bracket Fixing Screw (M5 x 18) & Nut
		3	61W9802	Lever Fixing Bolt (M5 x13) & Spring Washer
		4	61W9803	Cable Adjusting Bolt Unit
	*	5	749 9804	Cassette Joint Unit for SG-7C21
			749 9803	Cassette Joint Unit for SG-7C20
		6	749 9802	Cable Adjusting Barrel & Spring for Cassette Joint
	*	7	33Z 9802	Cassette Joint Unit Fixing Ring for SG-7C21
			749 1200	Cassette Joint Unit Fixing Nut for SG-7C20
		8	600 9851	Inner Cable Box (Stainless / 100 pcs.)
	*	9	60B 1385-1	SIS-SP Outer Casing (1380 mm / Black)
	*		60B 1485-1	SIS-SP Outer Casing (1480 mm / Black)
	*		60B 1565-1	SIS-SP Outer Casing (1560 mm / Black)
	*		60B 1705-1	SIS-SP Outer Casing (1700 mm / Black)
		10	620 9803	Inner End Caps (φ1.2 mm / 100 pcs.)