



**Best Graphics, Inc.**

W222 N600 Cheaney Drive  
Waukesha, WI 53186

Telephone +1 (262) 522-3330  
Fax +1 (262) 522-3280  
Toll-free (800) 236-7603

E-mail [Sales@BestGraphics.net](mailto:Sales@BestGraphics.net)

Nearly 600 listings at [www.BestGraphics.net](http://www.BestGraphics.net)

*Product design and technical specifications subject to change without notice.*



**POST PRESS**

# WORLD CLASS EQUIPMENT

**FOR OVER 40 YEARS**



› Direct Importers › Service Technicians › Parts Inventory

Nearly 600 new & used listings at [www.BestGraphics.net](http://www.BestGraphics.net)

# BEST OSAKO SADDLE STITCHERS

YAMAGATA, JAPAN

## TENER

12,000/cph

## ESTAR

10,000/cph

## MICRO

9,000/cph



Osako's Alpha series technology, available on all three Stitcher models, completely automates the following in less than 30-seconds:

- > Chain-to-Rail Synchronization
- > Chain-to-Feeder Timing
- > Stitch Head Positioning
- > Stitcher-to-Trimmer Transfer Timing

Manufacturing Saddle Stitchers in Japan for over 50 years, Osako has thousands of installs globally. Decades of experience, and robust construction allow us to provide 3-year Parts & Labor warranties on new machines! With nearly 500 machines throughout North America, Osako is regarded for their:

- > Innovative 4th & 5th Knife Design for 2-up Production
- > Tool-less Setup Signature Feeders
- > Cover Feeder with Unique 2-point Registration and "Knife" Pre-break
- > Low Cost of Ownership: Purchase Price, Parts & Consumables, Energy Usage

Through the use of a Color Touch Screen, our Alpha series platform also offers fully automated set up of the Three Knife Trimmer, Automatic Size Format Presettings, Auto-Set Digital Caliper Input, Sequential Start-and-Stop of all Feeders, and Downstream Inhibit for "Bad Book" Detection. Changeovers have been known to be completed in as little as 10 minutes.

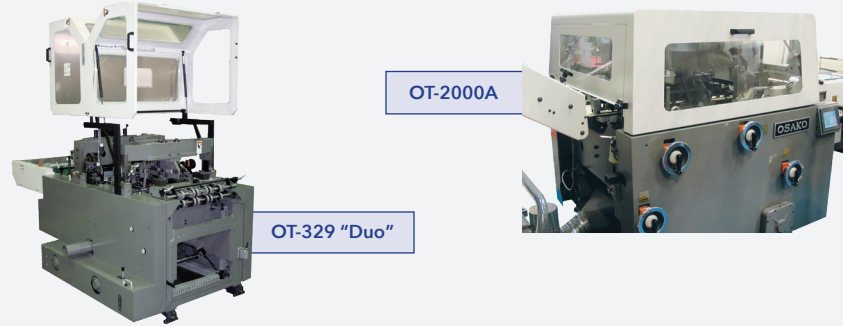
# BEST OSAKO SADDLE STITCHERS

## TECHNICAL DATA

FEATURES	Tener Alpha	Estar Alpha	Micro
Signature Feeders per Base	One (1)	One (1)	Two (2)
High, Low or Vacuum Folio Opening	✓	✓	✓
Cover Feeder with 2-Point Register & Fold Bar Design	✓	✓	✓
Computer Guided Makeready	✓	✓	✓
Automatic Stitch Head Positioning	✓	✓	✓
Automatic Format Preset System	✓	✓	✓
Sequential Start & Stop System	✓	✓	Optional
Downstream Inhibit System	✓	Optional	—
6 Feeder with Cover Floor Plan	17.5' x 35.5'	16.5' x 34.5'	16.75' x 28.5'

# BEST OSAKO TRIMMERS

## TECHNICAL DATA



	OT-2000A	OT-329 "Duo"	OT-323B	OT-2012	OT-352
<b>Model</b>	Tener, Estar, Micro	Tener, Estar	Estar	Estar	Micro
<b>Setup</b>	Automatic	Semi-Automatic	Manual	Manual	Manual
<b>Setup time</b>	5	12	15	15	15
<b>Face Trim</b>	First	Last	Last	First	Last
<b>Untrimmed</b>	12.6" x 18.9"	12.6" x 18.5"	12.6" x 18.5"	12.6" x 17.4"	12" x 14.32"
<b>Trimmed</b>	12" x 18.5"	12" x 18.5"	12" x 18.5"	12" x 16.9"	12" x 14.32"
<b>2-up Max.</b>	12" x 9.25"	12" x 9"	12" x 9.13"	12" x 8.4"	12" x 7.16"
<b>2-up Min.</b>	2.75" x 4.8"	4.1" x 5.05"	2.75" x 3.43"	2.75 x 4.90"	2.75" x 4.94"
<b>Thickness</b>	7/16"	1/2"	1/2"	3/8"	3/8"

# BEST OSAKO ANCILLARY EQUIPMENT

## Fenimore Punch

Inline Punch tooling is expensive, and cumbersome to makeready. "Roll up" a Fenimore 258 for 1/4" or 5/16" 3-hole Punching quickly. Calendar Dies come in 1/8" or 3/16". When not in use behind the Stitcher, utilize your Fenimore 258 in the Folding department. A true "utility player"!



## Rima Stacker

For facilities looking to increase total Stitched Book output beyond 7 - 8,000/hour, a Rima Stacker is key. Stitched Books are typically batched in 5s, 10s, 25s before rotating the product and exiting to a conveyor for easy picking. Need Townsort, or "dual-kick" capabilities? We've got you covered.



## Lake Image

Customers demanding 100% verification integrity? No problem. 2D Codes? 3D Codes? Bar codes? We've got you. Whether on (1) Feeder, all Feeders, or even the Cover Deck, we can incorporate Lake Image Cameras at the time of machine installation. Leave Osako to the Saddle Stitcher manufacturing; Lake Image are the true legacy player in the camera inspection industry. Go ahead, ask us about some of our success stories. Osako, and Lake Image: a verified match!



# ITOTEC GUILLOTINE CUTTERS

NAGOYA, JAPAN



Itotec SC-137Z



## SC CUTTER SERIES

40.5" - 45" - 54" - 63" - 67" - 78" - 98"

Itotec have recently celebrated their 100<sup>th</sup> year in manufacturing. With nearly 1,000 installs across North America, customer's choose Itotec for their:

- > Dual Arm Cut-and-Clamp Cutting Process
- > Longer Knife Shear Stroke
- > Chrome Plated Main and Side Tables
- > Consistent, Lineal Guided Backgauge System
- > All Knife Adjustments from Front of Cutter

### Key features:

- > 1 Ton More Than Competitors
- > 2 Chrome Plated Air Tables
- > 2 High Speed Steel Knives
- > 4 Ways to Program Jobs
- > 5 Year Machine Warranty

## ITOTEC CUTTERS

### TECHNICAL DATA

	40.5"	45"	54"	UNLOADER
Weight	8,100 lbs.	9,000 lbs	9,900 lbs	4,400 lbs
Cutting Width	40.5"	45"	54"	31.1 x 43.3", Max. Sheet
Cutting Depth	39"	45.62"	52"	21.65 x 15.74", Min. Sheet
Maximum Lift	6.5"	6.5"	6.5"	6.5", Max. Lift
Minimum Cut	1.06"	1.06"	1.06"	1.18", Min. Lift
Knife Stroke/Min.	42	42	42	3.93 x 5.82", Min. Size per Sheet
Cut Memory	25,000	25,000	25,000	55.11", Max. Stack Height
Electrical	210 - 230v, 60Hz	210 - 230v, 60Hz	210 - 230v, 60Hz	210 - 230v, 60Hz
Dimensions (L x W x H)	96 x 105 x 66"	103 x 110 x 66"	109 x 119 x 66"	57 x 118 x 81"

*Ask us about oversized cutters!*

# ITOTEC CUTTERS

Itotec Cutters are highly regarded for their unique capabilities, superior strength, proven Japanese electronics, overall durability and trouble-free operation.



3-year  
warranty

## Joggers

Our Kudo Joggers can increase Cutter productivity by 33%. With the ability to tilt left or right, Kudo Joggers can be placed on either side of your Cutter, or in the middle of (2) Guillotines. Air Squeeze Roller comes standard. Scales are optional for precision based environments.



3-year  
warranty

## Unloaders

Automating the downstacking process, our Itotec Unloaders can double your operator productivity. RU 5.0 Unloaders, for 45" and 54" Guillotines, can be designed in a right handed, or left-handed format. Modular in design, RU 5.0 Unloaders can be purchased in future years.



## Robo-Cut

In addition to auto-cut functionality within our standard SC series Cutters, Itotec offer a Robo-cut option for automatic waste removal. Robo-cut models are ideal for facilities cutting small labels, playing cards, sports cards, or post cards in two, or three shift environments.

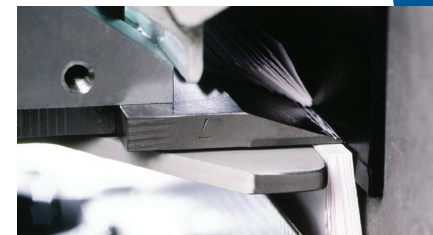
# wohlenberg® PERFECT BINDERS

VERDEN, GERMANY



## Gatherer/Winjector Technology

Signatures or individual sheets are horizontally loaded, at a 25 degree angle, for a faster path to the line chain, where they are transported upright on the spine. Our Winjector technology used compressed air to generate customized vacuum control. This technology eliminates vacuum pumps while reducing machine noise levels, energy consumption and maintenance. On average, each feeder can be makereadied in two to three minutes.



## Single Pass Gatefolded Books

With our patented VSS Foreedge Trimming process, Gatefolded products can be completed in a single pass. Whether purchased separately or in combination, our "Roll Away" KRF Cover Folder Feeder can score Gatefolded product inline, while all product inputs are adjusted through the Navigator touch screen.

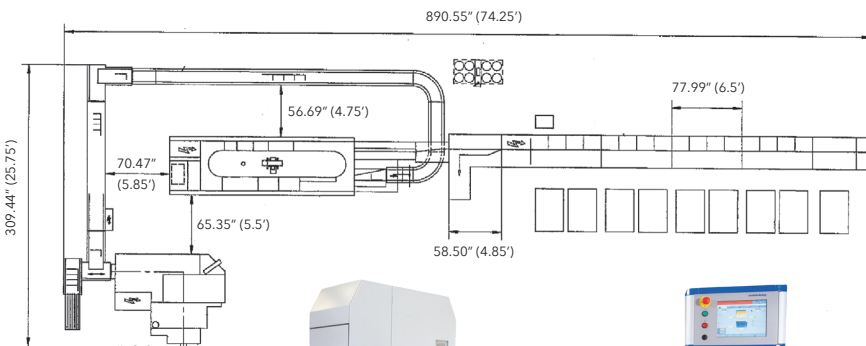


## Spine Preparation

Dual Spine Prep is standard on our Quickbinder, and City models. The Vento series offers a third prep station. After the Milling section - within all three models - the use of a Multi-Knife Head opens up the spine's fibers in a more effective way than a Notching Head. The result is a stronger "Page Pull" test of the finished book.

# wohlenberg® PERFECT BINDERS

	City e	City e 6000	Vento
Speed	4,000	6,000	7,000
Clamps	15	15	18
Spine Length	14.57"	14.57"	17.12"
Spine to Face	12.67"	12.67"	12.59"
Thickness	.08 - 2.44"	.08 - 2.44"	.08 - 2.44"
VSS/KRF	✓	✓	✓
Gauzing			✓



## QUICKBINDER

2,000 per hour hand feed unit

## Real Time EVA Speeds

1,650 to 1,800 per hour

## Real Time PUR Speeds

1,300 to 1,400 per hour



## Gauzing

Fed from the side, this option can be retro-fit at any point in time.

## Navigator

All job inputs occur via the Navigator. Dynamic Drives allow for tool-less changeovers.

## Spine Prep

A two step, milling and multi-knife head design penetrates the paper fibers better.

## Spine Length

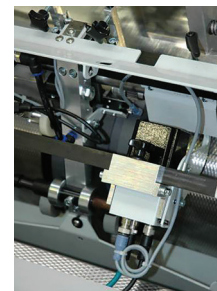
17" max. Spine Length exceeds Horizon by 4".

## Fast Changeover

90 - 120 second, tool-less size format changeovers.

## Personalized Books

Ask us about our Delta 10 Variable Clamping technology.



Self-learning Winspector Cameras

With a patented, integrated barrel melting recirculation system, our PUR glue is available in roller, or nozzle style



# BUSCH PILE TURNER-AERATORS

HAMBURG, GERMANY

3-year  
warranty

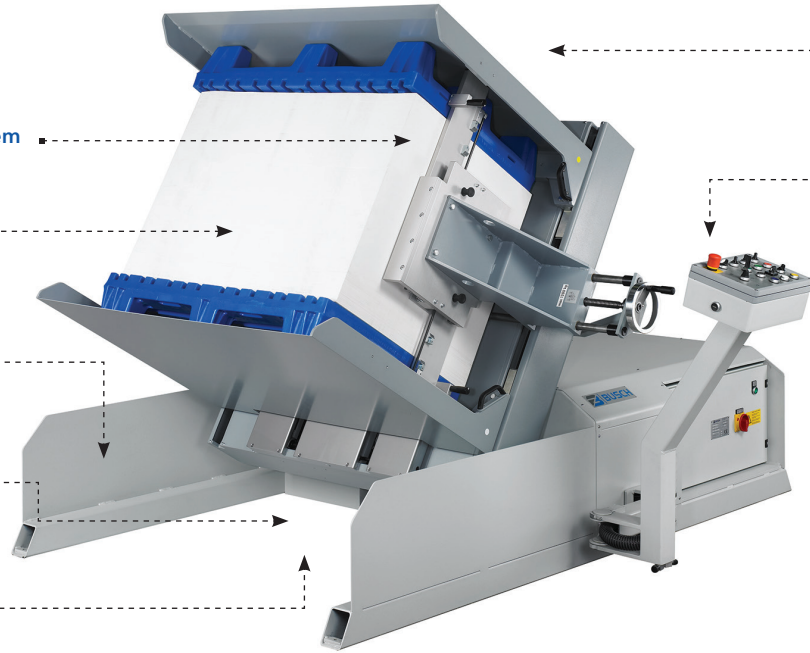
Pneumatic alignment system

Process full skids in  
under 5 minutes

Compact mobile,  
self-leveling design

Integrated, optional  
ionized air system

Single or double  
blower motors



Standard pressure control  
flaps on platforms

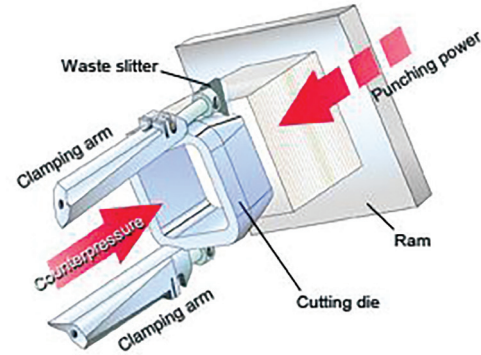
New! Programmable 2:1  
"Tango" aeration process

Side-mount console (left  
or right) controls air & jog  
intensity on the fly

## More Ergonomic and Efficient

- > Turn
- > Jog
- > Align
- > Center
- > Aerate

# BUSCH HIGH DIE CUTTERS



**Tolerance without Counter-Pressure**  
+/- 0.2mm (1/64th of an inch)

**Trim Waste Margins**  
+/- 2.5mm (3/32nds of an inch)



Removable Counter-Pressure Device

**Better than the Competition**  
1/3rd more product per punch than PMC

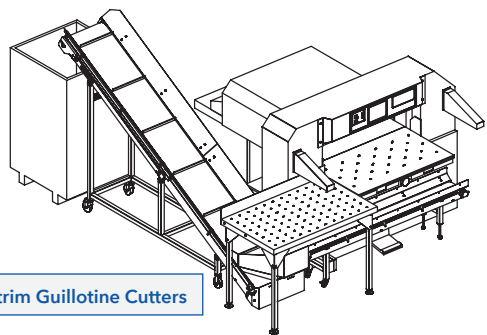
**Faster Setup**  
5-clamp adjustment versus 4-clamps

## Machines:

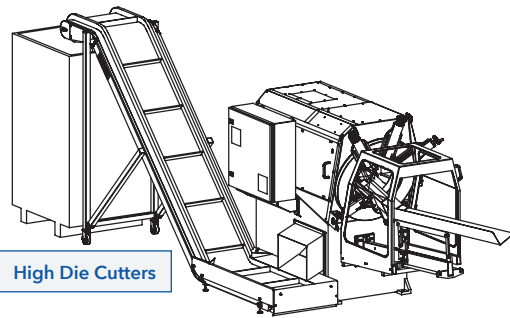
- > Model A 7 x 7"
- > Model B 9 x 9"
- > Model BLS 9 x 12.5"
- > Model CL 13 x 15"
- > Oversized up to 16"

# BUSCH WASTE CONVEYORS

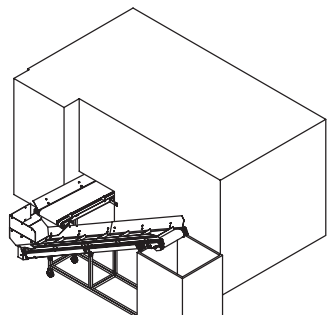
Busch Conveyors support Osako, Muller Martini, Horizon, Polar, Bobst and other major machine manufacturers.



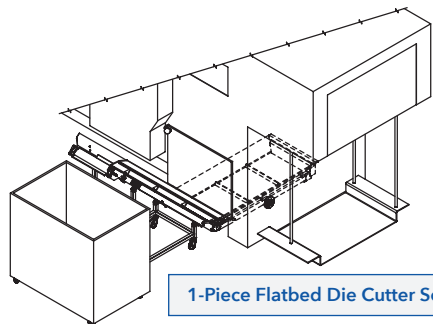
Auto-trim Guillotine Cutters



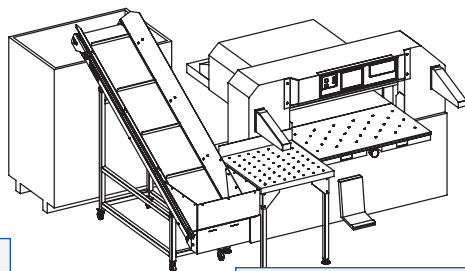
High Die Cutters



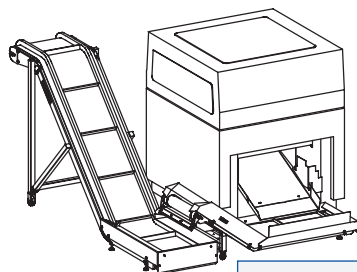
2-Piece Flatbed Die Cutter Solutions



1-Piece Flatbed Die Cutter Solutions



Standard Guillotine Cutters



Three Knife Trimmers

# BUSCH BANDERS



## TB-26

- > Up to 10.25" wide, 6.67" thick
- > 25 - 30 bands per minute

## TB-39

- > Up to 15 - 20 bands per minute

Versatile, everyday machines for brown Kraft paper, or clear plastic banding of booklets, labels, signatures and mailing applications.



## ZFB-32

- > Inline, 1.96 x 2.75" | 12.99 x 12.59"
- > Manual Load, 1.57 x 2.75" | 12.59 x 29.5"
- > Up to 18 bundles per minute

Available as an inline, or nearline solution, the ZFB series is ideal for stitched booklets, or guillotine cut product of medium volumes.



## MB-104

- > Capable of banding 40" wide products, down to 1.69" narrow products
- > Up to 8 cycles per minute

Patented machine design for high volume label, or cut-n-stack applications where product - across multiple lanes - is varied in height and width.



Each Insignia machine is produced completely in the USA and utilizes a register system similar to that of an offset press for superior sheet-to-sheet accuracy.

Able to run inline to many folding/gluing systems, the Insignia can become a production driven solution for both short and long run work.

Capable of producing an extremely wide range of products; door hangers, presentation folders, unique direct mail pieces, folding cartons, hang tags, ID cards and so much more.

The Insignia can help eliminate sending out profitable work and allow for more control over production and turnaround times. Let the Insignia die cutting system change the shape of your business!

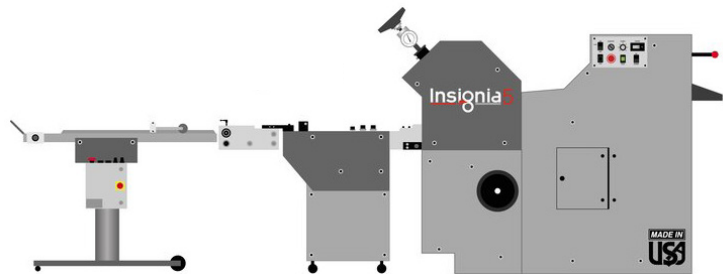


	<u>Insignia 5</u>	<u>Insignia 6</u>	<u>Insignia 7</u>	<u>Insignia X3</u>
<b>Max. Sheet Size</b>	15" x 20"	20" x 20"	24" x 30"	24" x 24"
<b>Min. Sheet Size</b>	8" x 8"			
<b>Speed</b>	Variable up to 5,000 sheets per hour			
<b>Max. Material Thickness</b>	0.024" / 400gsm		0.024" / 400gsm Optional: Up to 30pt	0.030" / 550gsm
<b>Feed Capacity</b>	~36"		~40"	

# ROTARY DIE CUTTERS

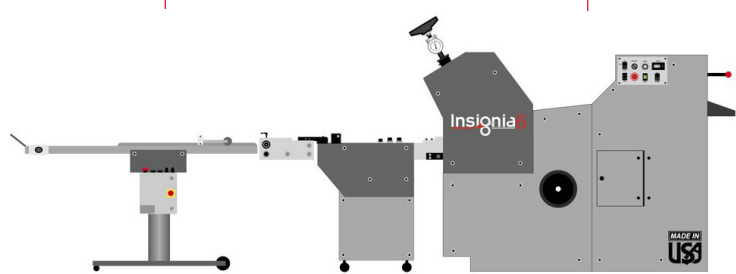
## Insignia 5

- > 15 x 20" / 38 x 51cm  
max sheet size
- > 0.020" / 0.51mm max cutting  
thickness\*



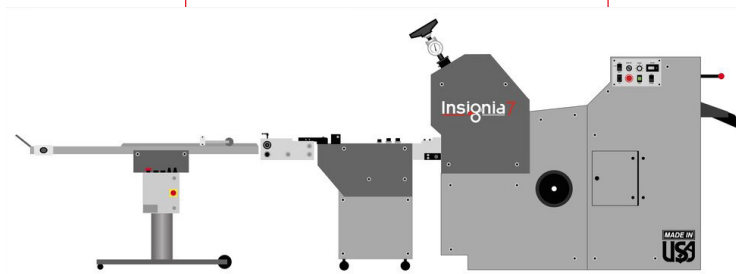
## Insignia 6

- > 20 x 20" / 51 x 51cm  
max sheet size
- > 0.024" / 0.61mm max cutting  
thickness\*



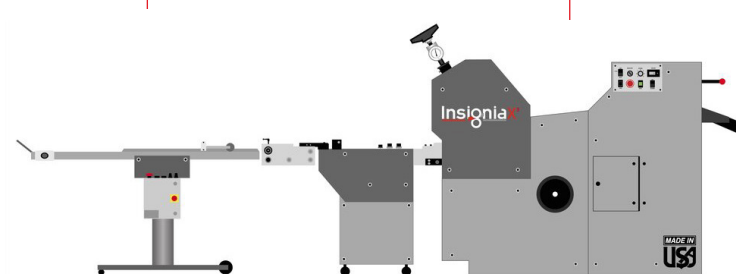
## Insignia 7

- > 24 x 30" / 61 x 76cm  
max sheet size
- > 0.024" / 0.61mm max cutting  
thickness\*



## Insignia X3

- > 24 x 24" / 61 x 61cm  
max sheet size
- > 0.030" / 0.76mm max cutting  
thickness\*



# AUTOFEED CLAMSHELL-FOIL STAMPERS

TURIN, ITALY



Originally constructed in 1911, the newly enhanced Saroglia FUB series now come in a 23x30" format. These workhorse machines provide the widest range of stock thickness and tonnage capability in their class.



## FUB Die Cutter 23" x 30"

- > 900 - 2,900 sph
- > 23" x 30" max sheet size
- > 8.27" x 11.69" minimum sheet size
- > 32" feeding pile height
- > 7.2" delivering pile height
- > 110 ton cutting pressure
- > 80-1,800 gsm
- > Up to 5mm/0.2" board
- > 0.27" die height

## FUB Gold 23" x 30"

- > 900 - 2,900 sph
- > 23" x 30" max sheet size
- > 8.27" x 11.69" minimum sheet size
- > 32" feeding pile height
- > 7.2" delivering pile height
- > 110 ton in cutting pressure
- > 80-1,800 gsm
- > Up to 5mm/0.2" board
- > 0.27" die height
- > 5.31" (1" Core) Foil Roll Size

All Saroglia models now feature a B-2 size, 23x30" sheet size with retractable automatic feeder for easy operator access and very quick makeready.

Perfect for the growing digital market, or complementing your existing 40" die cutting equipment for specialty stamping, embossing and thicker paper board, corrugated and plastic substrates up to .20" (5mm) thick.

Available in dedicated die cut only and combination die cut stamper. Saroglia features 2 draw servo-controlled transverse foil pull, servo-controlled dwell stamping, 4 zone heating system. APR has expanded the capability, enhanced the mechanical and electronic controls, remote connectivity, upgraded to new level safety standards and reduced the machine makeready.

**Optional equipment:** Greeting Card/Book Jacket Feeder



palamides

# BANDER-DELIVERIES

STUTT GART, GERMANY



## DELTA SERIES

Model 703

**Best Graphics actively pursues secondhand Palamides Delta series Bander-Deliveries to recondition at our Milwaukee, WI-based facilities.**

Machines go through an extensive overhaul process where machine covers are removed, heating heads and cutting knives are exchanged, belts are replaced, non-functioning parts are repaired, electrical is checked, and the machine is painted. Upon completion machines are sold with a parts & labor warranty. If this is your first Palamides our service department will deliver, install and train on the machine alongside your staff.

Improve your manufacturing output speeds by utilizing a Palamides at the end of your equipment.

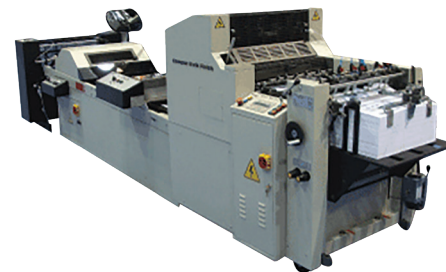
Have a Palamides Bander-Delivery you'd like to sell? Call us today.

### Suited for:

- > MBOs
- > Heidelbergs
- > Saddle Stitches
- > Web folders

# Kompac® U.V., AQUEOUS COATERS

NEW JERSEY, USA



## Kwik Finish 20

- > 14" x 20" Dual Spot & Flood Ultraviolet Aqueous Coater
- > Less than 5-minute changeovers
- > Patented "On-the-fly" Coating Control



## Kompac Onyx 30

- > 22.0" x 31.50" Dual Spot & Flood Ultraviolet Aqueous Coater
- > 2-minute coating changeovers, and clean up
- > Optional: Anilox system for soft touch materials, IR Dryer to Sapphire coat your own HP Indigo stock



## EZ Koat

- > 20, or 30.5" wide Ultraviolet Aqueous Coater
- > Easy cleanup
- > Optional: Feeder, Stacker, Delivery Conveyor

# ibis VARIABLE PAGE BOOKLETMAKERS

HIGH WYCOMBE, UK

First to market nearly two decades ago, Ibis Smart-binders are high performing, 24/7 machines for the variable data, variable page count digital Bookletmaking segment

Achieving up to 7,000 booklets per hour, Ibis individually scores 4-page sheets into a collated set before wire stitching, or spine gluing books in 3.8" x 4.7" up to 17.4" x 10.7" size formats.

### Ideal for:

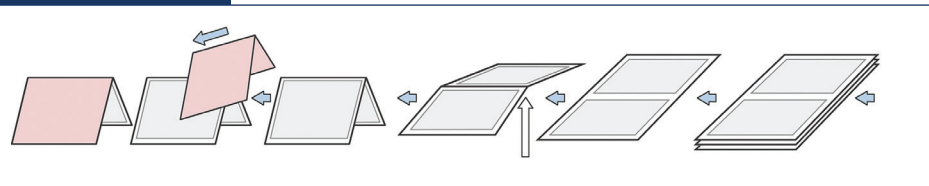
- > 100% Page Verification
- > Transactional
- > Healthcare
- > Educational

### SMART BINDER PLUS

7,000 booklets/hour (1-up) or  
14,000 booklets/hr (2-up)



### SHEET FLOW DIAGRAM



Sheets received from upstream equipment (i.e., Web Cutter)

Sheets move into Smart-binder

SB-097 Feeder

Lift table and bride conveyor shown in top position for Roll-based feeding. Drop the Lift table to the bottom and convert to a Pile-based feeder

Optional SB-097 Feeder allows product to be received from an upstream Web Cutter, in addition to supporting sheetfed work via a Pile Feeder.

	SB-2	SB-3	SB-X	SB-W	SB-XW
Wire Stitch	✓	✓	–	–	–
Patented Spine Glue	–	✓	–	–	–
Max. Book Size	12.6" x 8.9"	12.6" x 8.9"	17.4" x 8.9"	12.6" x 10.7"	17.4" x 10.7"
Min. Book Size	3.8" x 4.7"	3.8" x 4.7"	3.8" x 4.7"	3.8" x 4.7"	3.8" x 4.7"
Max. Trim, Face	1.06"	1.06"	1.06"	1.06"	1.06"
Max. Book Thickness	0.4"	0.4"	0.4"	0.4"	0.4"
Max. Trim, Sides	0.8"	0.8"	0.8"	0.8"	0.8"
Min. Paper Weight	40 gsm	40 gsm	40 gsm	40 gsm	40 gsm

### Compact 76

Thermal-based, 29.9 x 41.73", 8.26 x 9.84", 196 feet/min.

**Applications:** Mid to high volume Book Covers, Pocket Folders, Cartons and Offset printed material. Downstackers, and Hot Knife options available.

### Aqua 102

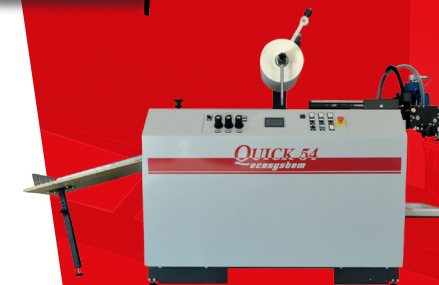
Thermal and Water-based, 40.15 x 45.90", 8.26 x 9.84", 295 feet per minute

**Applications:** High volume Sheet-to-sheet, Roll-to-roll, Roll-to-sheet manufacturing of Book Covers, and other printed material. Hot Knife option available.

### Quick 54, 76, 106

Thermal-based, 21 x 30", 30 x 41" or 41 x 56" | 131, 164, or 262 feet/min.

**Applications:** Short run commercial work with automatic feeder, touch screen control, and manual delivery. Sleeking, Hot Knife and Downstacker options available.



KEEPING YOU UP-AND-RUNNING

# PARTS & SERVICE

MILWAUKEE, WISCONSIN

## Parts Department

Best Graphics maintains nearly \$750,000 USD in parts on the shelves at our Milwaukee, WI facilities. Parts are actively monitored via our inventory software system.

On-hand parts can drop ship for next-day arrival if ordered before 4pm CST. Hard to find parts, belts, gears and electronics will drop ship directly from our manufacturer partners to help get you up-and-running as quickly as possible.

Need key components for your Bindery, Finishing equipment that's out of warranty? Call us today.

### Contact Our Parts Department

Call 1-800-236-7603 ext. 1010 or email [Parts@BestGraphics.net](mailto:Parts@BestGraphics.net)



### Contact Service and Support

Call 1-800-236-7603 ext. 1009 or email [GaryM@BestGraphics.net](mailto:GaryM@BestGraphics.net)

## Service Scheduling

Best Graphics staff a full team of Service Technicians to help support the 150-175 machine sales, installations we complete annually.

Need help troubleshooting on an out-of-warranty machine? Want a refresher on how to run that tricky, 2-up booklet? Can't remember how to do a knife change on your recently purchased Guillotine Cutter? Call us today. Over-the-phone support is free-of-charge, while onsite service is billed out on hourly, or daily rates.

3 FLEXIBLE FINANCING OPTIONS

# EQUIPMENT FINANCING

## APPLICATION ONLY

- > Approval for up to \$350,000 USD
- > Over-the-phone consultation
- > No financials needed

Looking to grow your customer base? Is your local lender skeptical of that new capital asset? Go App Only, and get approved after one phone call.

Don't let a point, or two get between you, and increasing your manufacturing productivity!

## LEASES & RENTALS

- > Have other debt?
- > Trying to gain management approval?
- > Need a creative, off-balance-sheet solution for your next capital purchase?


Best Graphics can supply **3-year operating lease solutions** with machine buy outs, or machine buy back guarantees.

## 5 & 7 YEAR FINANCING

- > Need easy money? Money when you need it as low as \$50,000 USD
- > First month, and last month due at signing

Do it the old fashioned way. Call us for today's monthly carrying costs on **60-month**, and **84-month financing packages**.

# SECONDHAND MACHINES



Cutters, Joggers, Unloader



Bookletmakers, Folders, Perfect Binders



Film Laminators



Punches & Collators



Saddle Stitchers, Perfect Binders



Bookletmakers, Coaters, Slitter/Cutter/Creasers



Stackers




Hard Cover Casemaking



Folders, Stackers



Pharmaceutical Folders

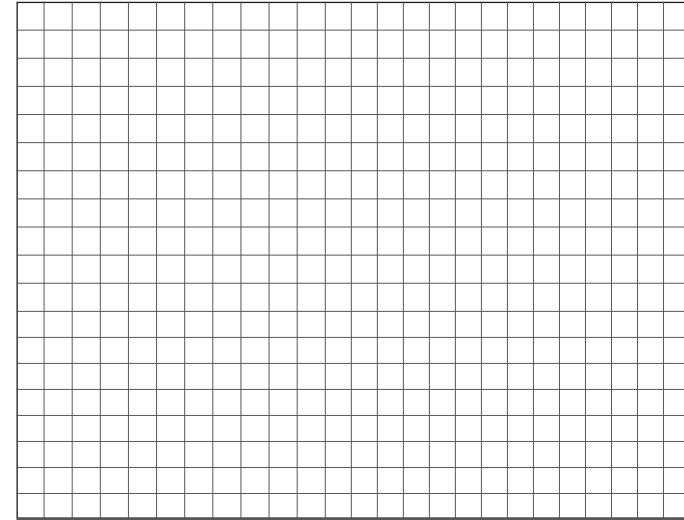
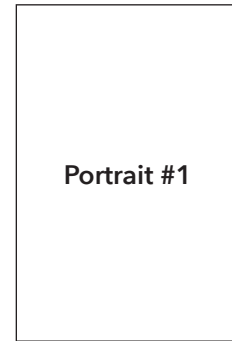
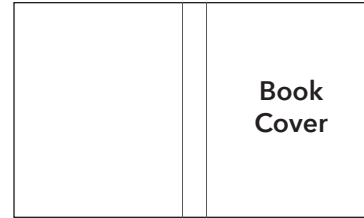


Casemakers, Dust Jacketers, Perfect Binders



Creaser-Folders

# LAYOUTS & DRAWINGS



## NOTES

---



---



---



---



---