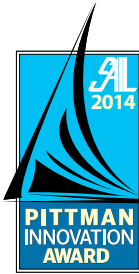


MasterFlush® 7100 and 7200 Series Toilets

Innovative ORBIT base accommodates any plumbing angle



MasterFlush 7220 Toilet with compact marine bowl, in White color



MasterFlush 7120 Toilet with residential-style seat and bowl, in Bone color

Key Benefits

- Full 360-degree bowl-to-base rotation allows virtually limitless positioning to accommodate small spaces and diverse plumbing layouts
- Small footprint to fit in tight spaces
- Dual-stage impeller/macerator cutting wheel pulverizes waste for most thorough waste tank pump-out
- Standard single-function “flush” switch; or optional triple-function “flush/add water/dry bowl” switch (freshwater flush models only)
- Flushes on as little as 1/3-gallon (1.2 l) of fresh water
- Integrated electric water valve on freshwater models
- Draws only 20 amps at 12 V DC; 10 amps at 24 V DC
- Freshwater and raw water flush models available
- Available in white or bone colors
- 7100 series has large residential-style seat and bowl for premium comfort
- 7200 series has compact marine bowl

Maximum Installation Flexibility

Fitting a standard marine toilet in a small boat usually meant sacrificing comfort and appearance for the sake of fit and function. However, Dometic’s latest engineering innovation – Omnidirectional Rotating Base Installation Technology (ORBIT) – puts a whole new spin on basic marine heads with the new MasterFlush 7100 and 7200 series of toilets.

By providing a full 360 degrees of bowl-to-base rotation, the ORBIT base can be positioned in any configuration to maximize even the smallest installation space and accommodate diverse plumbing layouts.



7100 Series Toilets Offer Premium Comfort for the Boatowner

Employing the same large enameled seat and deep ceramic bowl size of a residential round-front toilet, the 7100 toilet series introduces a new path to better comfort for owners of small boats. Smoothly contoured seat-to-bowl design conveys an expensive look – without the extra cost. The deep, rounded bowl also results in splash-resistance during use and while underway.

If a lower toilet height is desired, the compact size of 7200 series bowls are at least 1.5 in. (38 mm) lower than the 7100 series to accommodate tighter space considerations. Model 7225 measures only 12 in. (305 mm) tall for extremely compact installation.

Most Effective Waste Maceration

As with all Dometic MasterFlush toilets, 7100 and 7200 series toilets assure trouble-free, odor-free performance by virtue of unmatched maceration effectiveness. A rugged, glass-filled nylon twin impeller instantly draws effluent into the macerating chamber, where the 10-blade stainless steel cutting wheel pulverizes waste and ejects it to the discharge line/holding tank.

Residential-style seat and bowl of the MasterFlush 7100 series is the largest among basic macerator toilets.



NEW in 2016 – Super-low-profile MasterFlush 7225 model is only 12 in. (305 mm) high to fit under bench seat or in other small areas.

Specifications for MasterFlush® Toilets with ORBIT Base Design

MODEL	DESCRIPTION	WATER SOURCE	VOLTAGE	WEIGHT*
7120	Medium-height macerator toilet, residential round-front bowl, DFS-1F flush switch	Fresh (onboard)	12 V or 24 V DC	35 lbs./ 15.9 kg
7160	Medium-height macerator toilet, residential round-front bowl, DFS-1F flush switch	Raw (seawater)	12 V or 24 V DC	35 lbs./ 15.9 kg
7220	Low-profile macerator toilet, compact marine bowl, DFS-1F flush switch	Fresh (onboard)	12 V or 24 V DC	35 lbs./ 15.9 kg
7225	Low-profile macerator toilet, low-profile seat, compact marine bowl, DFS-1F flush switch	Fresh (onboard)	12 V or 24 V DC	35 lbs./ 15.9 kg
7260	Low-profile macerator toilet, compact marine bowl, DFS-1F flush switch	Raw (seawater)	12 V or 24 V DC	35 lbs./ 15.9 kg

Optional DFS-2F or DFST flush switch must be ordered separately if desired.

White and Bone colors available. See price list for all toilet item numbers.

* Product weight only. Add 12 lbs / 5.4 kg for shipping weight.

Specifications subject to change without notice.

7100 and 7200 Series Toilet System Requirements

ELECTRICAL	Power draw	20 amps @ 12 V DC; 10 amps @ 24 V DC
	Circuit breaker/fuse	25 amps @ 12 V DC; 15 amps @ 24 V DC
	Wiring	12 ga. (up to 25 ft./7.6 m total circuit) Consult ABYC guidelines for additional information.
WATER SUPPLY	Fitting size	0.5 in. NPT - fresh water flush toilet
	Supply hose ID	0.75 in. ID - raw water flush toilet
	Flow rate	2.0 gpm/7.6 lpm minimum at toilet - fresh water flush
	Lift (raw water flush only)	4 ft./1.2 m maximum
DISCHARGE	Plumbing ID	1.5 in./38 mm or 1 in./25 mm
	Horizontal run*	40 ft./12.2 m maximum
	Vertical run*	4 ft./1.2 m maximum
	Holding tank capacity	30 gal./114 liters min. recommended

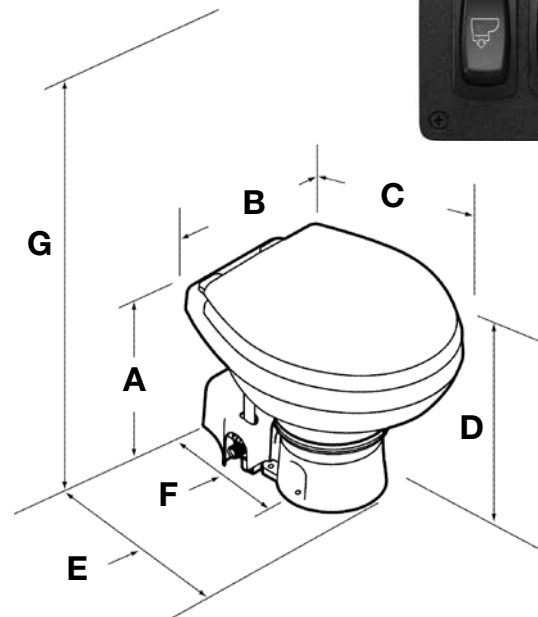
* Horizontal and vertical run distances are not cumulative. Check for adequate discharge flow if installation nears one of these limits.

Specifications subject to change without notice.

Dimensions

REF.	7120, 7160	7220, 7260	7225
A	14.75 in. / 375 mm overall height	13.25 in. / 337 mm overall height	12 in. / 305 mm overall height
B	15 in. / 381 mm	14.5 in. / 368 mm	14.5 in. / 368 mm
C	19 in. / 483 mm	18.75 in. / 476 mm	18.75 in. / 476 mm
D	13.75 in. / 349 mm - seat height	12.25 in. / 311 mm - seat height	11.5 in. / 292 mm - seat height
E	13.75 in. / 349 mm	13.75 in. / 349 mm	13.75 in. / 349 mm
F	10 in. / 254 mm	10 in. / 254 mm	10 in. / 254 mm
G	28.75 in. / 730 mm - seat lid up	26.25 in. / 667 mm - seat lid up	26.5 in. / 673 mm - seat lid up

All dimensions may vary ± 0.375 in. (10 mm)



MasterFlush Pedestal-style Toilet Switch Panels



Model DFS-1F

- “Normal” flush switch
- Pressure activated – toilet flushes as long as switch is pressed
- **Standard** with fresh water, and raw water flush toilets



Model DFS-2F

- Add water/dry bowl flush switch
- Pressure activated – toilet flushes as long as switch is pressed
- **Optional** for fresh water flush toilets



Model DFST

- “Normal” flush switch on left side
- “Add water” and “dry bowl” flush switch on right side
- Pressure activated – toilet flushes as long as switch is pressed
- **Optional** for fresh water flush toilets