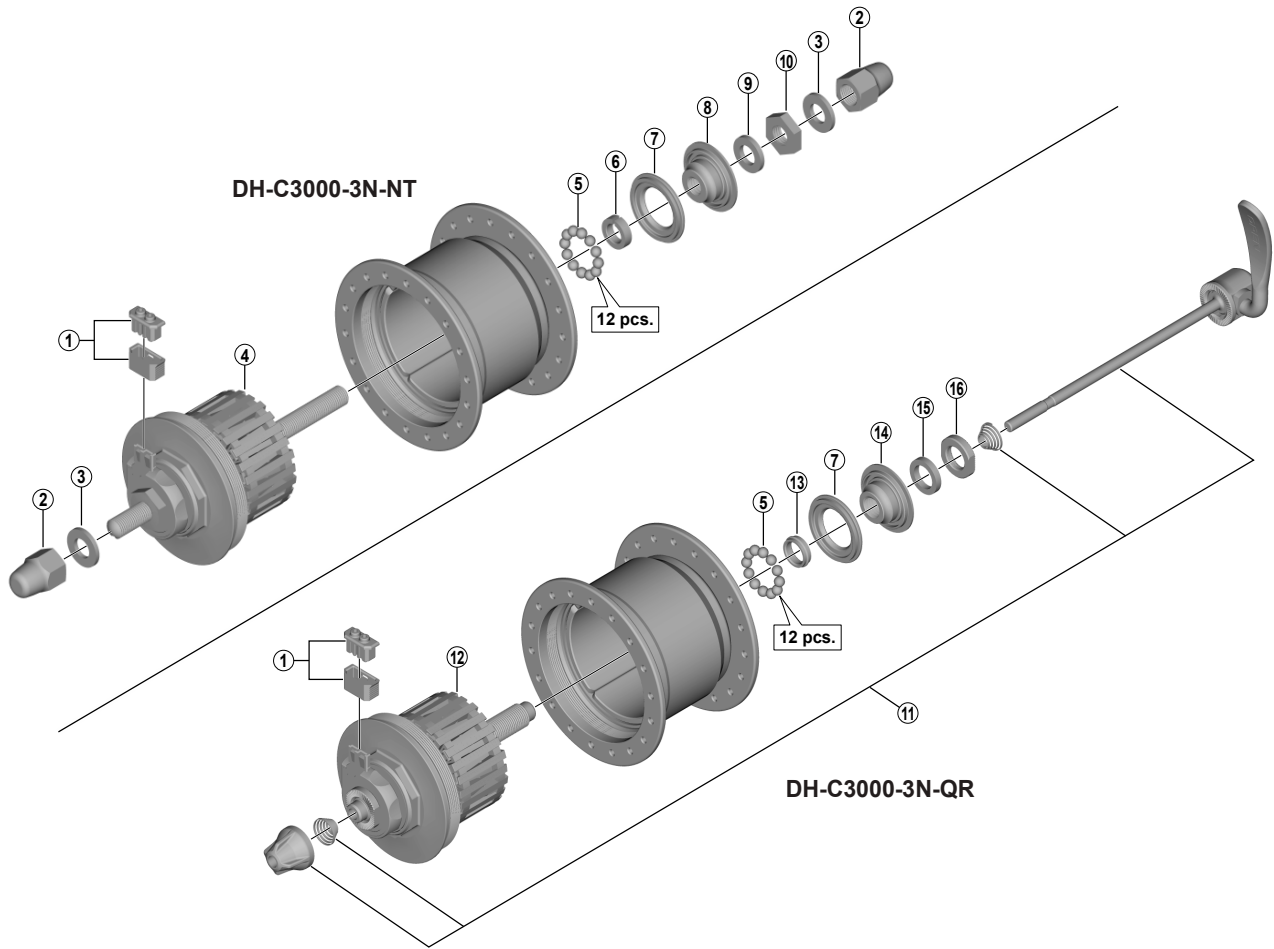


NEXUS Hub Dynamo (6V-3W)  
**DH-C3000-3N-NT**  
**DH-C3000-3N-QR**



ITEM NO.	SHIMANO CODE NO.	DESCRIPTION	INTERCHANGEABILITY		
			DH-3N31	DH-3D32	DH-3D37
1	Y2SS98030	Connector Cap & Cover	A	A	A
2	Y31414210	Cap Nut (M9)	A	A	A
3	Y21D0300R	Washer (2 mm)	A	A	A
4	Y2AV98010	Internal Assembly (Silver/Axle Length 140 mm)	B	B	
	Y2AV98020	Internal Assembly (Black/Axle Length 140 mm)	B	B	
5	Y00091210	Steel Ball (3/16") 20 pcs.	A	A	A
6	Y2ZE20000	Grease Guard	A	A	
7	Y29K00010	Sear Ring			
8	Y2AT98030	Cone (M9 x 13 mm) w/Seal Support			
9	Y20R02210	Left Hand Spacer (2.3 mm)	A	A	
10	Y2ZW21010	Lock Nut (M9 x 4.5 mm)	A	A	
11	Y2AU98010	Complete Quick Release 129 mm (5-3/32") Silver	A	A	
	Y2AU98020	Complete Quick Release 129 mm (5-3/32") Black	A	A	
	Y2AU98030	Complete Quick Release 133 mm (5-1/4") Silver	A	A	A
	Y2A398010	Complete Quick Release 133 mm (5-1/4") Black	A	A	A
12	Y2AU98040	Internal Assembly (Silver/Axle Length 108 mm)	B	B	B
	Y2AU98050	Internal Assembly (Black/Axle Length 108 mm)	B	B	B
13	Y2ZW20000	Grease Guard	A	A	A
14	Y2AU98060	Cone (M11 x 13 mm) w/Seal Support			
15	Y20R02100	Left Hand Spacer (3 mm)	A	A	
16	Y3BT04200	Serrated Lock Nut (M11 x 4 mm)	A	A	A

A: Same parts.

B: Parts are usable, but differ in materials, appearance, finish, size, etc.

Absence of mark indicates non-interchangeability.

Specifications are subject to change without notice.

Apr.-2016-4024

© Shimano Inc. I

**SHIMANO**