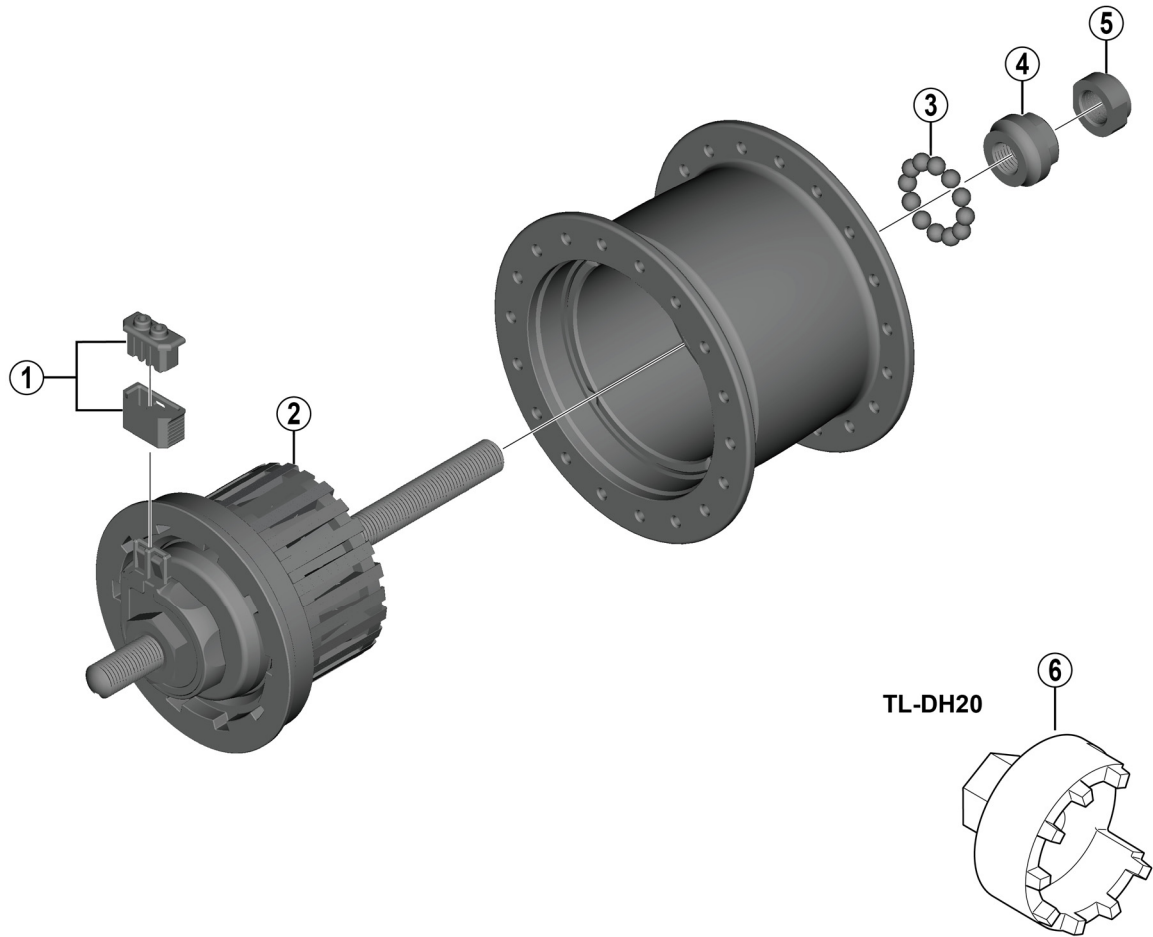


NEXUS Hub Dynamo  
**DH-C6000-2R** 6V-2.4W / Hub Roller Brake Compatible



DH-C6000-3R-NT

ITEM NO.	SHIMANO CODE NO.	DESCRIPTION	INTERCHANGEABILITY		
1	Y2SS98030	Connector cap and cover	A		
2	Y29P98010	Internal assembly (black coating / axle length 140 mm)			
	Y29P98020	Internal assembly (silver coating / axle length 140 mm)			
3	Y00091210	Steel ball (3/16") 20 pcs.	A		
4	Y29H04000	Left hand cone (M9 x 12 mm)	A		
5	Y22V0400R	Left hand cone lock nut (M9 x 7.1 mm)	A		
* 6	Y20W01000	TL-DH20 Hub cap removal tool	A		

A: Same parts.

B: Parts are usable, but differ in materials, appearance, finish, size, etc.

Absence of mark indicates non-interchangeability.

May-2023-3737A

© Shimano Inc. I

Specifications are subject to change without notice.

**SHIMANO**