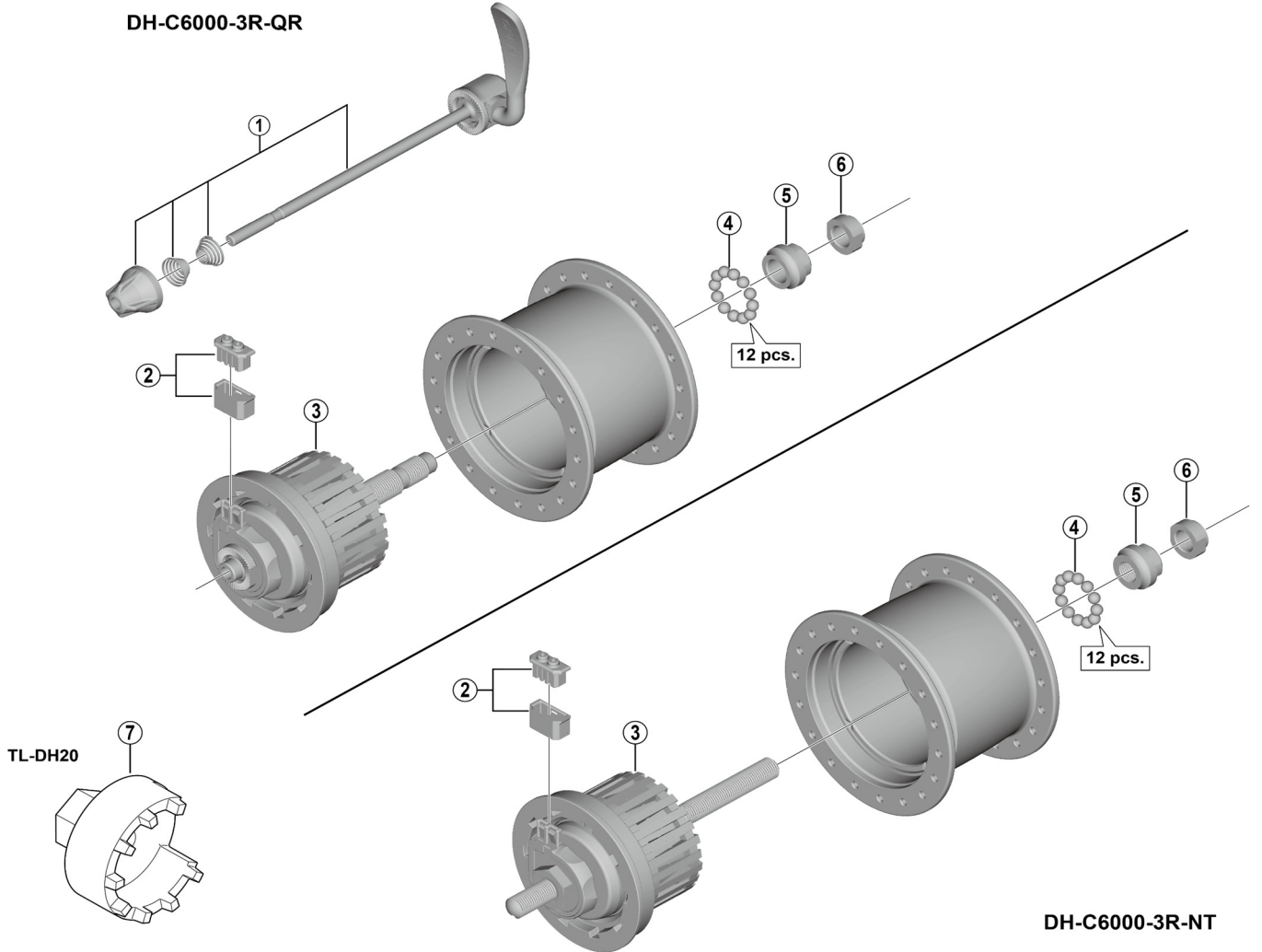


NEXUS Hub Dynamo (6V-3W / Roller Brake Compatible)

DH-C6000-3R-QR

DH-C6000-3R-NT



DH-C6000-3R-NT

ITEM NO.	SHIMANO CODE NO.	DESCRIPTION	INTERCHANGEABILITY	
			DH-3N31-QR	DH-C6000-2R
1	Y2AU98030	Complete quick release 133 mm	A	
2	Y2SS98030	Connector cap and cover	A	
3	Y29M98010	Internal assembly (silver / axle length 108 mm) for DH-C6000-3R-QR		
	Y29M98020	Internal assembly (black / axle length 108 mm) for DH-C6000-3R-QR		
	Y29N98010	Internal assembly (silver / axle length 140 mm) for DH-C6000-3R-NT		
	Y29N98020	Internal assembly (black / axle length 140 mm) for DH-C6000-3R-NT		
4	Y00091210	Steel ball (3/16") 20 pcs.	A	A
5	Y22M17000	Left hand cone (M11 x 12 mm) for DH-C6000-3R-QR		
	Y29H04000	Left hand cone (M9 x 12 mm) for DH-C6000-3R-NT		A
6	Y31Z0601R	Left hand cone lock nut (M10 x 7.1 mm) for DH-C6000-3R-QR		
	Y22V0400R	Left hand cone lock nut (M9 x 7.1 mm) for DH-C6000-3R-NT		A
* 7	Y20W01000	TL-DH20 Hub cap removal tool		A

A: Same parts.

B: Parts are usable, but differ in materials, appearance, finish, size, etc.

Absence of mark indicates non-interchangeability.

May-2023-3815B

© Shimano Inc. I

Specifications are subject to change without notice.

SHIMANO