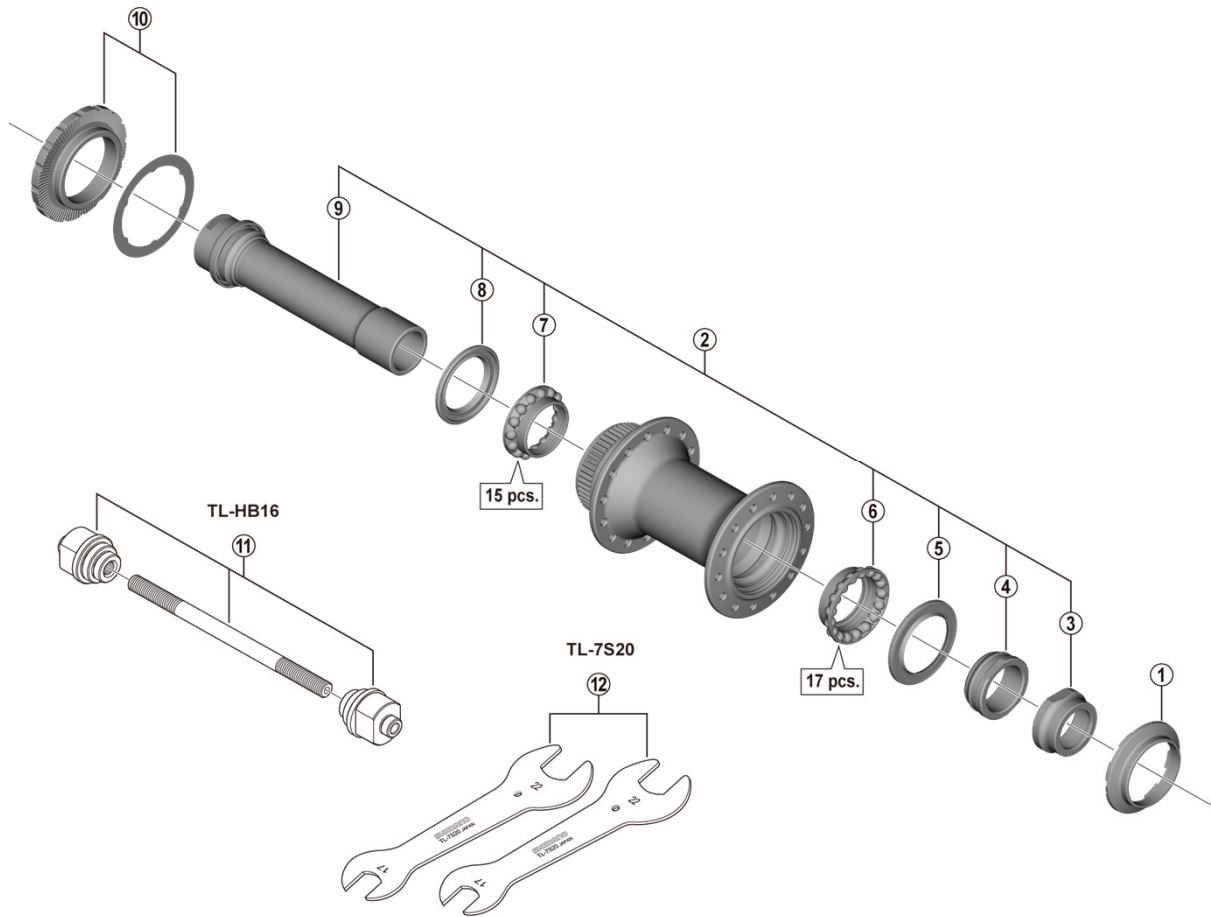


XTR Front Hub (For Disc Brake)

# HB-M9110

## HB-M9110-B



• Over Lock Nut Dimension: 100 mm (3-15/16") for HB-M9110 / 110 mm (4-11/32") for HB-M9110-B

| ITEM NO. | SHIMANO CODE NO. | DESCRIPTION                                | INTERCHANGEABILITY |  |  |
|----------|------------------|--|--------------------|--|--|
|          |                  |  |                    |  |  |
| 1        | Y27X17000        | Cap  |                    |  |  |
| 2        | Y2CW98010        | Complete Hub Axle for HB-M9110             |                    |  |  |
|          | Y2CX98010        | Complete Hub Axle for HB-M9110-B           |                    |  |  |
| 3        | Y2CX06000        | Right Hand Lock Nut                        |                    |  |  |
| 4        | Y27X11000        | Right Hand Cone (M19)                      |                    |  |  |
| 5        | Y27X15000        | Right Hand Seal Ring                       |                    |  |  |
| 6        | Y2CW98020        | Right Hand Ball Retainer (5/32" x 17)      |                    |  |  |
| 7        | Y2CW98030        | Left Hand Ball Retainer (5/32" x 15)       |                    |  |  |
| 8        | Y27X14000        | Left Hand Seal Ring                        |                    |  |  |
| 9        | Y2CW98040        | Hub Axle Unit for HB-M9110                 |                    |  |  |
|          | Y2CX98020        | Hub Axle Unit for HB-M9110-B               |                    |  |  |
| 10       | Y2CW98050        | Lock Ring & Washer                         |                    |  |  |
| 11       | Y20W98020        | TL-HB16 Hub Setting Tool                   |                    |  |  |
| 12       | Y13098900        | TL-7S20 Hub Spanner (17 mm x 22 mm) 2 pcs. |                    |  |  |

A: Same parts.

B: Parts are usable, but differ in materials, appearance, finish, size, etc.

Absence of mark indicates non-interchangeability.

Specifications are subject to change without notice.

Jan.-2019-4384

© Shimano Inc. ITP

# SHIMANO