



LOTS OF SPACE IN AMAZON

THE AMAZON RANGE OF
ROTOMOULDED CASES
AND 19 INCH RACKS
FOR TOUGH TASKS



**LOTS OF SPACE
IN AMAZON**

**BEAUCOUP PLUS
D'ESPACE DANS
LE 'AMAZON'**

**VIEL PLATZ
IM AMAZON**

 WWW.AMAZONCASES.COM

 WWW.AMAZONCASES.FR

 WWW.AMAZONCASES.DE

 WWW.AMAZONCASES.IT

 WWW.AMAZONCASES.ES

 WWW.AMAZONCASES.NL

 WWW.AMAZONCASES.AE

 WWW.AMAZONCASES.BE

 WWW.AMAZONCASES.EU



Amazon was created with one thing in mind: to give ultimate protection to your hi-tech equipment during transportation.

Using the latest polyethylene rotomoulding technology, Amazon shields your equipment from sandstorms, saltwater, impact and extremes of temperature, keeping it secure during transit and ready for instant deployment.

Ideal for defence, marine, security, aerospace, oil and gas, satellite and telecommunication applications worldwide, Amazon Cases and Racks give all the advantages of rotomoulding but without the normal wasteful thick wall cavity, restrictive narrow top opening and bulky deep lid. So Amazon gives you more space for any given case size.

Inside an Amazon Rack there's more innovation. A lightweight stainless steel frame, suspended by eight elastomeric anti-vibration mounts, provides superior 'sway space' between the frame and the outer container. It's the best possible way to safeguard delicate equipment.

Les produits Amazon ont été conçus avec une seule idée en tête: apporter une protection ultime à votre équipement de haute technologie, lors de son transport.

Fabriqués, à l'aide de la toute dernière technologie de moulage par rotation des matériaux en polyéthylène, les produits Amazon protègent votre équipement des tempêtes de sable, de l'eau salée, des impacts et des températures extrêmes, permettant ainsi à votre matériel d'être déplacé de manière sécurisée et déployé instantanément.

Idéaux pour des applications mondiales propres à la défense, la marine, la sécurité, le pétrole et le gaz, les satellites et les télécommunications, les caisses et racks, Amazon apportent tous les avantages de la technologie de moulage par rotation. Sans cavité murale épaisse et inutile, sans ouverture supérieure étroite restrictive et sans couvercle profond encombrant, les caisses Amazon vous offrent plus d'espace quel que soit leur format initial.

L'intérieur des racks Amazon a été innové de manière fondamentale. Un châssis inoxydable et léger, suspendu par huit supports antivibratoires élastomères, fournit un « espace tampon » entre le cadre et le container externe. C'est la manière la plus efficace pour protéger les équipements délicats.

Amazon wurde allein mit einem Ziel entwickelt: um Ihr hochwertiges technologisches Gerät beim Transport optimal zu schützen.

Neuste Rotationsformtechnik und der Einsatz einer neu entwickelten Polyamid-Variante im Amazon sorgen für den bestmöglichen Schutz Ihrer Hightech-Ausrüstung vor Sandstürmen, Salzwasser, Stößen, Schlägen und Extremtemperaturen und gewährleisten ihre Sicherheit während des Transports sowie ihre sofortige Einsatzbereitschaft am Zielort.

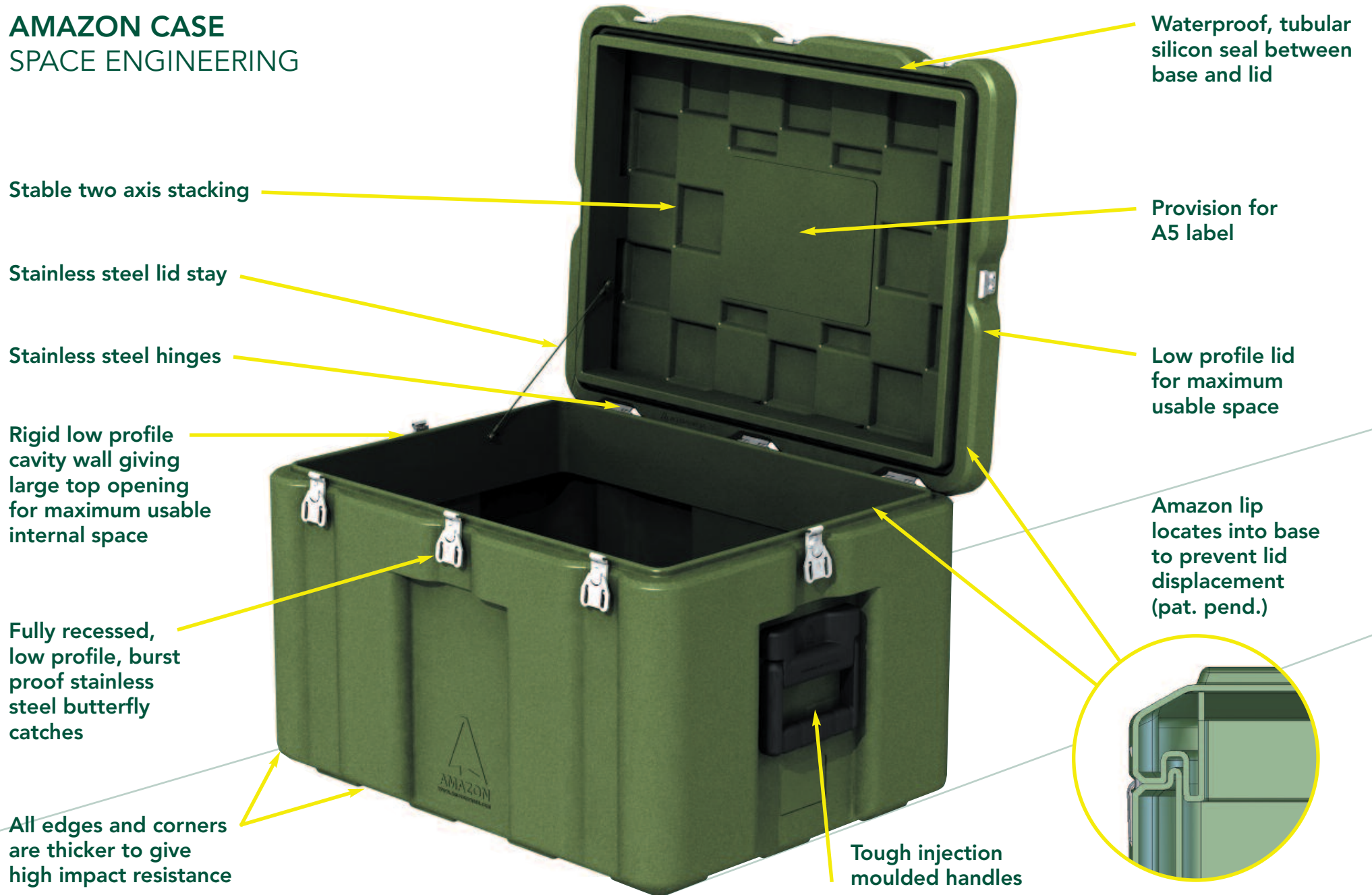
Amazon-Transportkisten und -Racks sind perfekt geeignet für Anwendungen im Bereich der Streitkräfte, Sicherheit, See- und Luftfahrt, Öl- und Gasindustrie, Satellitentechnologie und Telekommunikation weltweit. Sie bieten Ihnen alle Vorteile der Rotationsformtechnik, jedoch ohne die sonst üblichen platzraubenden dicken Wandaussteifungen, Deckelaussteifungen und Schließkantenverstärkungen. Damit bietet Ihnen Amazon mehr Innenraum für jede Behältergröße.

Weitere Innovationen finden sich im Inneren eines Amazon-Racks: Ein gewichtssparender, zwischen acht elastischen Schock-Absorbern montierter Edelstahlrahmen gewährleistet einen optimalen Vibrationsschutz und verhindert den Kontakt Ihrer Systeme mit der äußeren Behälterwand – die wirksamste Methode zum Schutz empfindlicher Ausrüstung.

AMAZON
ROTOMOULDED CASES
AND 19 INCH RACKS



AMAZON CASE SPACE ENGINEERING




AMAZON CASES



All Amazon Cases are produced using a process called Rotomoulding. It's ideal for making tough, waterproof products, using a high quality polymer that thickens at the edges and corners for extra strength and impact resistance. Amazon has brought rotomoulded containers to a new level for the twenty first century by using decades of experience in case design and manufacturing. The result? A new range of cases that are tougher and yet more spacious than any comparable product.

Amazon advantages:

- Maximum usable internal space versus external size.
- Rotomoulded from high grade, virgin polyethylene for strength and impact absorption.
 - Stable in temperatures from -40°C to $+60^{\circ}\text{C}$
 - Corrosion proof and resistant to solvents and acids.
- Colours moulded right through to retain appearance if scratched.
- Available in NATO green, admiralty grey and black, with other colours available for orders of 25 or more. All colours are UV stabilised.
- Strong, rigid, low profile lid for maximum space utilisation.
- Moulded-in Amazon Lip that engages positively with body to eliminate lid displacement when subjected to sideways force (pat. pend.).
- All edges and corners are rounded and bevelled for safe and comfortable carrying.
- Two axis location and engagement feature for positive stacking.
- A5 label indent positioned on lid.
- Two further small label indents provided on each side for contents identification.
- All fittings, including catches, hinges and lid stay are stainless steel, making Amazon Cases totally RoHS compliant.
- Heavy-duty plastic injection moulded handles.
- Waterproof, tubular silicon lid seal stable in temperatures from -40°C to $+60^{\circ}\text{C}$.
- Waterproof and impervious to sand and dust.
- Complies with MIL-STD 810F.
- Recyclable. 

CASE SIZES AVAILABLE

Case numbering system indicates external dimensions in centimetres:
AC 75(L) 45(W) 40(H)

Amazon Cases remain fully stackable with optional wheels fitted.



Part No	External Dimensions (mm)			Internal Dimensions (mm)			Volume (m ³)	Weight (Kg)	No of Handles	No of Catches
	Length	Width	Height	Length	Width	Height				
AC126060	1200	600	600	1140	540	560	0.432	20.7	4	9
AC126050	1200	600	500	1140	540	460	0.360	19.0	4	9
AC906080	900	600	800	840	540	760	0.432	20.5	4	8
AC906060	900	600	600	840	540	560	0.324	21.4	4	8
AC906050	900	600	500	840	540	460	0.270	16.2	4	8
AC906040	900	600	400	840	540	360	0.216	17.7	4	8
AC904560	900	450	600	840	390	560	0.243	15.4	2	6
AC904550	900	450	500	840	390	460	0.203	14.1	2	6
AC904540	900	450	400	840	390	360	0.162	13.5	2	6
AC904530	900	450	300	840	390	260	0.122	11.5	2	6
AC756060	750	600	600	690	540	560	0.270	15.8	4	7
AC756050	750	600	500	690	540	460	0.225	14.0	4	7
AC756040	750	600	400	690	540	360	0.180	13.2	4	7
AC756030	750	600	300	690	540	260	0.135	11.9	4	7
AC754560	750	450	600	690	390	560	0.203	13.9	2	5
AC754550	750	450	500	690	390	460	0.169	15.2	2	5
AC754540	750	450	400	690	390	360	0.135	12.8	2	5
AC606060	600	600	600	540	540	560	0.216	13.5	4	7
AC606050	600	600	500	540	540	460	0.180	12.4	4	7
AC604550	600	450	500	540	390	460	0.135	11.2	2	5
AC604540	600	450	400	540	390	360	0.108	10.2	2	5
AC604530	600	450	300	540	390	260	0.081	8.7	2	5
AC604050	600	400	500	540	340	460	0.120	10.6	2	5
AC504540	500	450	400	440	390	360	0.090	8.7	2	4
AC453030	450	300	300	390	240	260	0.041	6.0	2	2

19 INCH RACKS

AMAZON 19 INCH RACKS ENGINEERED TO PROTECT

SHOWN WITH 'EASY GLIDE'
REMOVABLE RACK FRAME
OPTION (PAT. PEND.)

Amazon Lip (pat. pend.)
locates into container
body to prevent lid
displacement

Fully welded stainless
steel 19 inch rack frame
with floating, captive M6
stainless steel nuts and
cages (registered design)

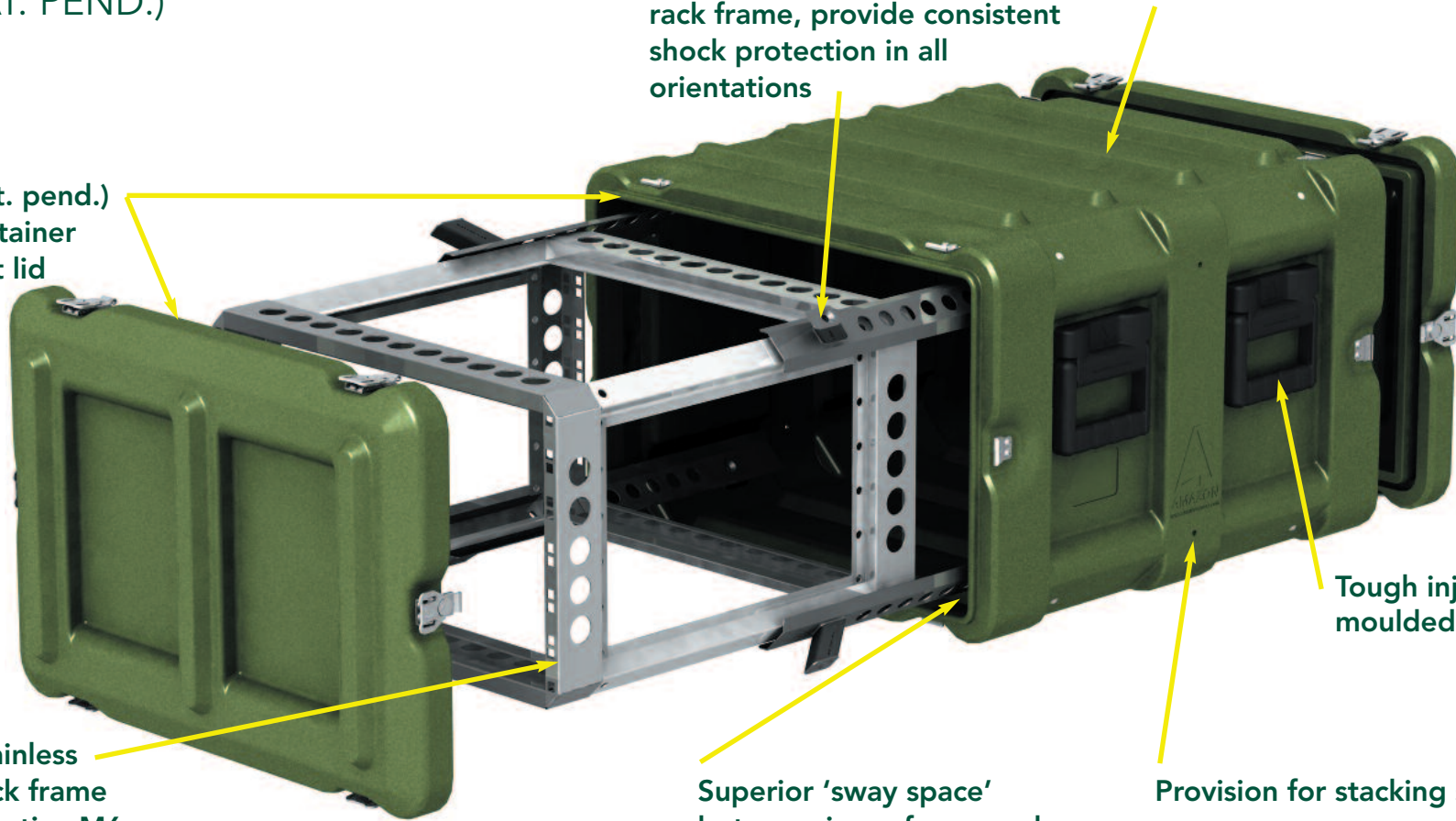
Eight 'Bi-Angle' anti-vibration
mounts (pat. pend.) focussed
towards centre of gravity of the
rack frame, provide consistent
shock protection in all
orientations

All sizes of Amazon Racks can
be stacked on each other with
a common level front face

Tough injection
moulded handles

Superior 'sway space'
between inner frame and
outer container to prevent
contact under severe impact

Provision for stacking straps



AMAZON 19 INCH RUGGEDISED TRANSIT RACKS



Amazon design skills have also been applied to produce a new generation of 19 inch racks to protect electronic, IT and telecommunications equipment against climatic extremes and rough handling in field conditions. Amazon Racks combine the tough resilience of a rotomoulded case with a lightweight stainless steel rack frame and a unique elastomeric suspension system.

Design features in addition to those of Amazon Cases include:

- Available from 4U to 12U with various DIN standard 19 inch inner frame depth options.
- Eight 'Bi-Angle' elastomeric anti-vibration mounts (pat. pend.) with a choice of hardness grades, angled towards centre of gravity of the rack frame, provide optimised shock protection in all orientations.
- Superior 'sway space' between inner frame and outer case to prevent contact with outer container under severe impact.
- All Amazon Racks have a 'user adjustable' inner frame (excluding the removable 'Easy Glide' option) allowing back to front movement of 50mm within the outer container to accommodate varying front panel and rear wiring/connector needs. Combined with the deep rear lid option, this can provide a maximum of 170mm of usable space between rear rack frame and lid.
- Optional 'Easy Glide' (pat. pend.) removable, self anchoring, internal frame system for convenience and speed of maintenance/replacement of equipment.
- Standard, stainless steel M6 threaded fasteners secure electronic equipment into floating stainless steel cage nuts at both front and rear of frame, providing ease of equipment fitting.
- Rack frame has extra M6 fixing holes in the rear face to accommodate non DIN standard equipment.
- The inner rack frame and all fittings are stainless steel, making Amazon Racks totally RoHS compliant.
- All racks have positive stacking, aligning at the front face regardless of rack depth.
- Internal rack frame conforms to BS5954 and IEC297.
- Inner rack and outer container are recyclable.
- Moulded-in Amazon Lip (pat. pend.) that engages positively with body to eliminate lid displacement when subjected to sideways force.
- Heavy-duty plastic injection moulded handles.
- Optional recessed wheels for ease of handling with heavy payloads.
- Optional deeper lids available to accommodate extended/protruding connectors etc.
- Complies with MIL-STD 810F.

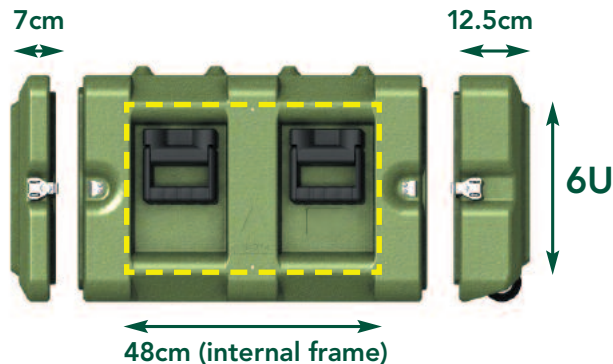
19 INCH RACKS

RACK SIZES AVAILABLE



All racks align at the front face regardless of rack depth

Product numbering system:
AR 06 48 07 12

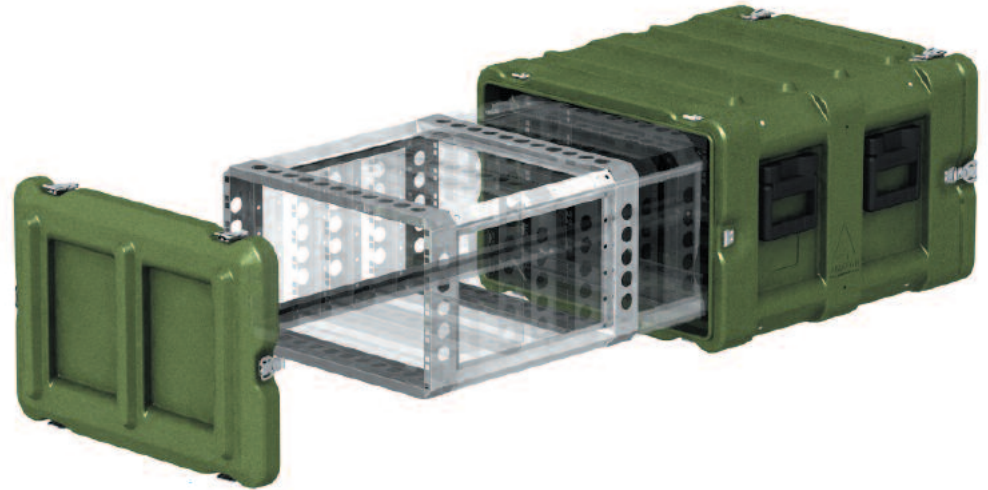


Part No	Rack Size (U)	Wheels	External Height	External Width	External Depth	Frame Depth (mm)	Weight (Kg)	No of Handles	No of Catches
AR04480707	4	No	328	583	740	480	17.5	4	12
AR04480712	4	Yes	328	583	740	480	17.7	4	12
AR04610707	4	No	328	583	870	610	20.6	4	12
AR04610712	4	Yes	328	583	925	610	20.8	4	12
AR06480707	6	No	417	583	740	480	19.8	4	12
AR06480712	6	Yes	417	583	795	480	20.4	4	12
AR06610707	6	No	417	583	870	610	21.7	4	12
AR06610712	6	Yes	417	583	925	610	22.3	4	12
AR08480707	8	No	506	583	740	480	21.4	4	16
AR08480712	8	Yes	506	583	795	480	22.1	4	16
AR08610707	8	No	506	583	870	610	23.5	4	16
AR08610712	8	Yes	506	583	925	610	24.1	4	16
AR10480707	10	No	595	583	740	480	22.9	4	20
AR10480712	10	Yes	595	583	795	480	23.6	4	20
AR10610707	10	No	595	583	870	610	25.0	4	20
AR10610712	10	Yes	595	583	925	610	25.7	4	20
AR12480707	12	No	683	583	740	480	24.4	4	20
AR12480712	12	Yes	683	583	795	480	25.1	4	20
AR12610707	12	No	683	583	870	610	26.6	4	20
AR12610712	12	Yes	683	583	925	610	27.3	4	20

Notes

125mm lid depth if wheels are fitted

Inner frame DIN depths of 61cm and 48cm available



Many accessories and options are available to enhance the functionality of Amazon Cases and Racks. This is not a comprehensive list. Further information can be found on our website at www.amazoncases.com

Wheels (cases and racks)

Cases of 750mm in length and greater have provision for fitting optional 70mm 'roller blade' recessed wheels. Similarly all racks can be fitted with two optional recessed wheels, housed in the deeper 125mm lid.

These robust wheels allow ease of handling with heavier loads and are designed to come into operation as the case or rack is tilted, but do not interfere with stacking or stowage (pat. pend.).

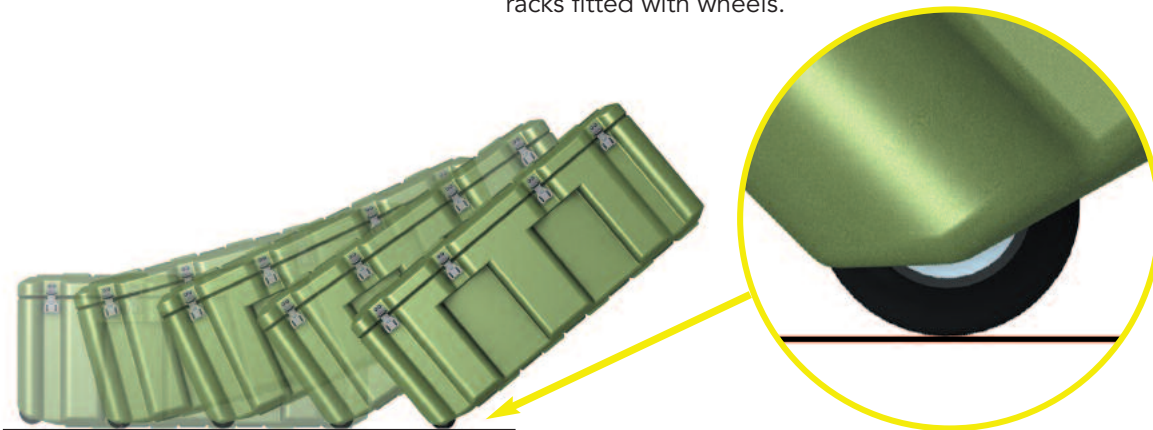
Two additional handles are provided on the front lid of racks fitted with wheels.

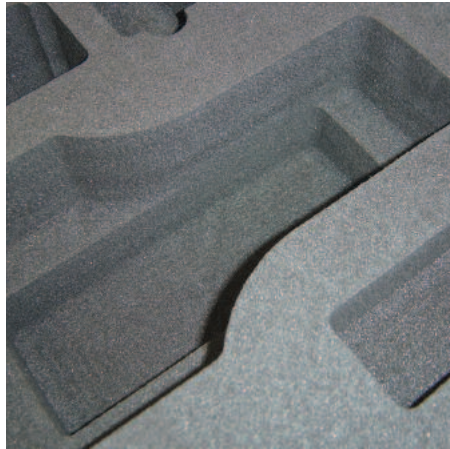
Removable inner frame (racks)

Amazon provides a removable 'Easy Glide' inner frame option (pat. pend.) without loss of anti-vibration characteristics, to allow complete withdrawal of the 19 inch inner frame in constricted spaces or semi-permanent installations.

Simple and rapid withdrawal, by front access, without any special tools is achieved by removing 4 x M8 stainless security bolts and sliding the 19 inch frame, with all its contents in place, towards you. Once fully removed, the 19 inch frame contents can be fully accessed for maintenance or repair.

To replace the frame simply reverse the process, slide the frame down 4 glide runners, which automatically 'self-anchors' the frame at the rear, and replace the 4 x M8 security bolts. The frame is then firmly secured within the glide runners in the outer container.





Foam cushioning (cases)

Amazon Cases offer a bespoke foam cushioning service to protect delicate electronics and mechanical equipment. The correct grade and amount of foam can be calculated and precision cut on fully computerised foam routing equipment.

Removable lift off lids (cases)

Lids can be made completely removable by fitting catches all round.

Catches can also be inverted so that the lid becomes the base and vice versa creating a large lift off lid for easy access to the contents.



Pressure relief valves (cases and racks)

Amazon Cases are virtually airtight. Manual or automatic pressure relief valves can be fitted to allow equalisation of air pressure between the container and the external atmosphere whilst preventing the ingress of water and dust.

Humidity control (cases and racks)

Humidity indicators and replaceable desiccant containers can be fitted for effective long-term storage humidity control.

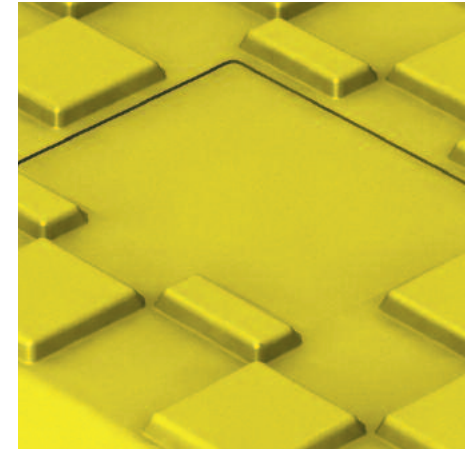


Padlockable catches (cases and racks)

Any of the standard catches can be replaced with a padlockable version.

Handles (cases and racks)

Additional handles and/or steel handles can be fitted to Amazon Cases and Racks as required.



Labelling (cases and racks)

Provision is made to take an A5 size label on case lids and smaller labels at various other points on cases and racks. A variety of labelling options are available including engraved metal, printed vinyl and a hard wearing write-on wipe-off panel.

For further information on our constantly evolving range of options, accessories and customising services visit www.amazoncases.com

Alternative anti-vibration mounts (racks)

Stiffer 'Bi-Angle' elastomeric mounts (pat. pend.) are available for payloads in excess of 50Kg.

Fixed installation kits (racks)

19 inch racks often have to be stacked or secured to decks, bulkheads or within vehicles. Amazon can design and produce complete installation kits and stainless steel 'stack-straps' to secure stacked racks together.

Cable storage pouch (racks)

Another unique design feature is the optional zipped pouch which snaps securely into place in either lid of the rack to form a pocket for neat storage of cabling and leads.

19 inch rack accessories

A full range of accessories is available including:

- equipment supports, shelves, drawers and keyboard trays
- cable stowage, sunshades, weather hoods and protective covers
- internal rack brackets and fixings to fit specific customer equipment
- external securing points to fix on deck or in vehicles for transport
- wheel installation kits for retrofitting to racks and selected cases

Customisation

Amazon offers comprehensive levels of customisation.

The standard range of Amazon Cases and Racks can be modified, for example in providing connector panels, special equipment supports or fixings.

For quantities in excess of 250 Amazon style cases can be manufactured in any size to meet your exact specifications.

Bespoke service

For quantities in excess of 500 we offer a complete rotomoulding service, which includes creating a design concept, rapid prototyping, producing a space model, through to volume production. Design options include 'double skin' moulding to provide bespoke internal sculpturing for your specific equipment.



IN ACTION


AMAZON
CASES.COM



CONTACT DETAILS

Amazon Cases
Unit 11
Worton Hall Industrial Estate
Worton Road
Isleworth
Middlesex
TW7 6ER
UK

Tel +44 (0) 20 8568 1881
Fax +44 (0) 20 8568 1141
info@amazoncases.com
www.amazoncases.com

A **cp**cases  Company



WORLDWIDE DISTRIBUTION

- Product exported to these countries

