

PAD & SHOE APPLICATIONS

Harley Davidson, Buell, Victory, Indian, Can Am, ATK10-15
 Japanese Streetbikes (Honda, Kawasaki, Suzuki, Yamaha).....16-32
 Non-Japanese Streetbikes (Adly, Alpha Sports, Aprilia, Argo, Bajaj, Beta, BMW, Cagiva, CPI, Daelim, Derbi, Ducati, E-ton, Hyosung, Italjet, KTM, Kymco, Laverda, Malaguti, Moto-Guzzi, MZ/MUZ, MV (Augusta), Peugeot, Piaggio, Sachs, SYM, TGB/Peirspeed, Tomos, Triumph, UM, Vespa).....32-46
 Japanese Dirtbikes (Honda, Kawasaki, Suzuki, Yamaha)47-56
 European Dirtbikes (Aprilia, ATK, Beta, BMW, Cagiva, Cobra, CPI, CZ/Jawa, Gas-Gas, Husaberg, Husqvarna, Hyosung, KTM, LEM, Lifan, Maico/M-Star, Montesa, Polini, Scorpa, SDG, Sherco, Thumpstar, Tomos, TM, Triumph, UM, Vertemati, VOR).....56-69
 ATV/Quads (Honda, Kawasaki, Suzuki, Yamaha, Adly, Arctic Cat, Bombardier/BRP, Can-Am, Cobra, CPI, Dinli, E-Ton Quads, Gas-Gas, Hyosung, John Deere, KTM, Kymco, Polaris, SYM, TGB, UM, Unison)70-89
 Dealer Top Sellers/Recommended Stock Guide.....90
 Road Racing Applications and Pads for Aftermarket Calipers.....91

BUYERS GUIDE BRAKE PADS

Buyers Guide - Brake Pads.....92-244
 Competitors Interchange Lists.....245-250

BUYERS GUIDE BRAKE SHOES

Buyers Guide - Brake Shoes251-264
 Illustrations and Sizes - Brake Shoes265-273
 Diameter Chart - Brake Shoes272

CLUTCH APPLICATIONS

| | |
|---|--------------------|
| Clutch Introduction Page.....274 | ATV.....278-282 |
| DRCF Clutch Kits.....275 | Street.....283-294 |
| Clutch Removal Tools.....276 | Dirt295-304 |
| Diaphragm Clutch Spring Information.....277 | |

BUYERS GUIDE CLUTCH

Buyers Guide - Clutches305-321
 DRC Buyers Guide322-328
 SRC Buyers Guide.....329-330
 SRK Buyers Guide.....331-333
 Top Selling Clutches334

RACE/SPECIAL ROTORS & CALIPERS

Supermoto Oversize Rotor Conversions/Oversize MX Rotor Front Floating Conversions335-336
 Special Disc Ordering Instructions.....337

ROTOR BUYERS GUIDE

Streetbikes.....338-356
 OEM to EBC X-Reference357-360
 Dirtbikes.....361-374

ACCESSORY PAGES

Carburettor Jets - Pilot Jets.....375-377
 Carburettor Jets - Main Jets378-379
 Brake Fluid379

COPYRIGHT NOTICE The part numbers, illustrations and listings in this publication are the copyright of EBC Brakes and any reproduction in part or whole or similarity, without advance authority in writing is contrary to international law and copyright holders will enforce vigorously. Vehicle manufacturers names and model numbers are indicated for cross reference purposes only. All products in this catalogue are manufactured by EBC Brakes and are not original equipment parts.

Streetbike & Roadrace Rotors

PART NUMBERS AVAILABLE

| | | | | |
|--------|---------|-----------|---------|-----------|
| MD614X | MD1003X | MD2001X | MD3003X | MD4012X |
| MD621X | MD1014X | MD2003X | MD3006X | MD4022X |
| MD622X | MD1134X | MD2074X | MD3058X | MD4136X |
| MD626X | MD1137X | MD2082X | MD3088X | MD4141X |
| MD633X | MD1138X | MD2089X | MD3089X | MD4151X |
| MD636X | MD1141X | MD2094X | MD3090X | MD4152XC* |
| MD647X | MD1152X | MD2095X | MD3091X | MD4153X |
| MD662X | MD1153X | MD2101X | MD3098X | MD4154XC* |
| MD666X | MD1154X | MD2102X | MD3100X | MD4155XC* |
| MD669X | MD1157X | MD2105X | MD3101X | MD4156XC* |
| MD694X | MD1161X | MD2109XC* | | MD4156AXC |
| MD800X | MD1168X | | | MD4159XC* |
| | MD1171X | | | MD4161XC* |

This range replaces LS and RS discs of equivalent part number for the list shown here. The advantage of the X disc is a universal design for left and right fitment, reducing stock part numbers by half.

All X and XC series discs are 6 button SD system square drive for lightest weight and best cosmetics.

*These discs are only available in XC design.

X Series



New 6 button system

Stainless steel rotor blades

Slotted scraper holes help clean pads better and prevent pad pick-up on rotor.

XC Series

Lightweight contoured rotor blade profile

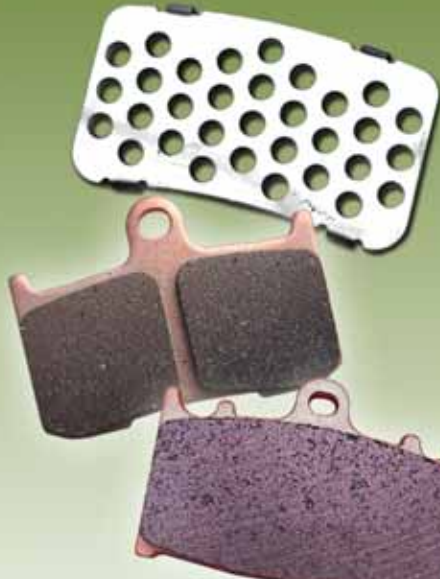
Lightweight forged alloy center hub

How to order

Look up your make and model in the application pages and select the appropriate part number such as MD3058X or MD3058XC.

All part numbers, prefixes and suffixes shown in this catalog are unique and form a registered copyright as the property of EBC Brakes and its UK trademark owners

Probably the best brakes on the Planet!



- MORE stability
- FASTER bed-in
- MORE bite
- STAINLESS radiator plates
- Better heat cycling
- LONGER life
- REDUCED rotor damage

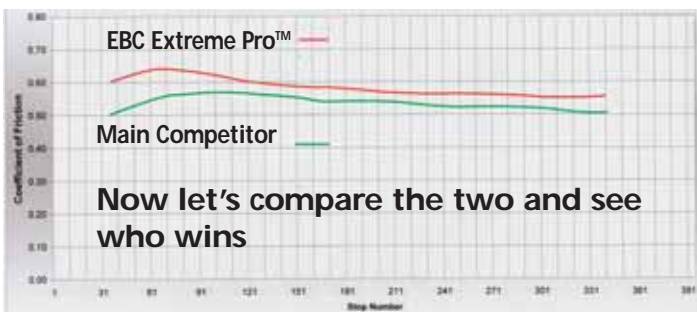
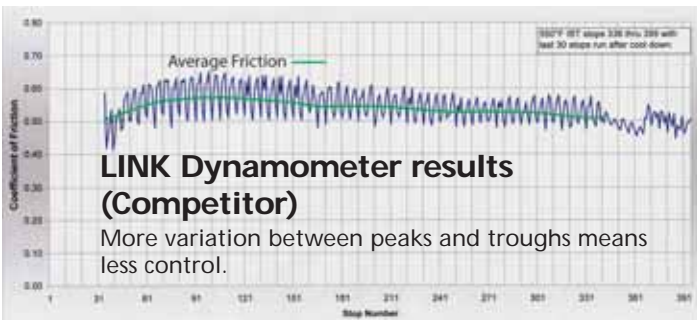
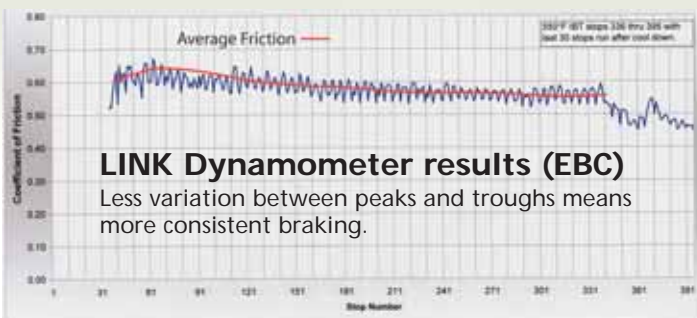
If anyone thought EBC didn't need another range of pads, think again. There are so many technical advancements in materials and methods we have to keep up. The Extreme Pro is a range targeting the Race market both street and off road but so many bikers have expressed an interest in the product we have extended it to a number of popular sportbikes and cruisers. For this reason we can expect sales to the high end Street market also on this new line.

The pads are a VERY expensive blend of sintered bronze including new age materials such as Tungsten and Moly metal to bring you the grippiest, most fade resistant pad we have ever tested.

We tested 7 other materials in developing Extreme Pro and the graphs opposite show the BEST of those competitors whom we have comfortably beaten with our new blend.

Extreme Pro completely replaces the GFA range which will now be phased out.

The Dyno Test Results



Available Part Numbers:

| Set No. | Fitment | EPFA346HH | MX Rears |
|-------------|-------------------|-------------|-----------------------|
| EPFA16HH | Lockheed 2 Piston | EPFA347HH | Streetbike Fronts |
| EPFA94HH | Harley Fronts | EPFA367HH | MX Rears |
| EPFA95HH | Brembo 4 Piston | EPFA368HH | MX Rears |
| EPFA129HH | Streetbike Rears | EPFA369/4HH | Streetbike Fronts |
| EPFA131HH | MX Rears | EPFA379HH | Streetbike Fronts |
| EPFA145HH | Streetbike Fronts | EPFA380HH | Streetbike Fronts |
| EPFA158HH | Streetbike Fronts | EPFA381HH | Harley Fronts |
| EPFA175HH | Harrison/ISR | EPFA387HH | Harley Fronts |
| EPFA181HH | MX Fronts | EPFA388HH | Streetbike Fronts |
| EPFA185HH | MX Fronts | EPFA390HH | Streetbike Fronts |
| EPFA187HH | Streetbike Fronts | EPFA400HH | Harley Fronts & Rears |
| EPFA188HH | Streetbike Fronts | EPFA405HH | FTE 4 Piston |
| EPFA190HH | Streetbike Fronts | EPFA406HH | FTE 6 Piston |
| EPFA197HH | Streetbike Fronts | EPFA407HH | BMW Fronts |
| EPFA200HH | Harley Rears | EPFA409HH | Harley Fronts |
| EPFA208HH | MX Rears | EPFA417/4HH | Streetbike Fronts |
| EPFA216HH | P.M. | EPFA424HH | Buell/MV Fronts |
| EPFA218HH | Brembo Race | EPFA433/4HH | Magura |
| EPFA218/2HH | Brembo Race | EPFA434HH | Harley Fronts |
| EPFA226HH | Streetbike Fronts | EPFA435/4HH | Ducati Fronts |
| EPFA229HH | Streetbike Fronts | EPFA442/4HH | Streetbike Fronts |
| EPFA231HH | Streetbike Fronts | EPFA447HH | Streetbike Fronts |
| EPFA239HH | Honda Race | EPFA450HH | MX Fronts |
| EPFA244HH | Streetbike Fronts | EPFA454/4HH | Streetbike Fronts |
| EPFA249HH | Streetbike Fronts | EPFA457HH | Harley Fronts |
| EPFA252HH | Streetbike Fronts | EPFA458HH | Harley Fronts |
| EPFA261HH | Streetbike Fronts | EPFA491HH | Triumph 675 09 |
| EPFA263HH | Lockheed 6 Piston | EPFA604/4HH | BMW S1000 RR |
| EPFA265HH | Streetbike Fronts | | |
| EPFA294HH | Streetbike Fronts | | |
| EPFA295HH | Brembo Race | | |
| EPFA296HH | Streetbike Fronts | | |
| EPFA322/4HH | Streetbike Fronts | | |
| EPFA335HH | Streetbike Fronts | | |
| EPFA345HH | Buell Fronts | | |

All part numbers, prefixes and suffixes shown in this catalog are unique and form a registered copyright as the property of EBC Brakes and its UK trademark owners

EBC Off Road PAD Options

“X” Series Moto-X Sport and Enduro Pads

Cool running carbon based brake pad compound for sport use in moto-x and ATV applications. For mud, sand or wet conditions requiring longer life, use our sintered range opposite.



“R” Series Sintered ATV and Moto-X Replacement Pads

US made sintered copper alloy pads for sport and utility riding alike in normal off road riding.

“SV” Series Severe Duty ATV Pads

High density sintered copper alloy for longest possible life in utility applications on ATV, especially in wet, mud, dust and dirt conditions.



“MXS” Moto-X Race Pads

Ultra high friction American made sintered copper alloy pads with diamond ground surface finish for fast brake-in, these pads come complete with external hex drive slider pins and are suitable for all fast moto-x riding.



Also see EPFA-HH Off Road Pads.
See page 6.

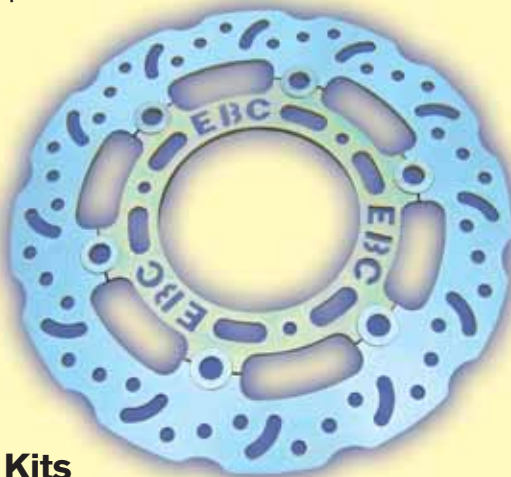
EBC Off Road ROTOR Options

Tough heat treated carbon steel with zinc coat rust prevention, the D series rotors are a direct replacement for original parts. Add C suffix for contoured profile

EBC OE Replacement Rotor

Part No carries "D" Suffix, example MD6001D will look like this.

Moto-X Mini Oversize Kit for 50-85cc MX bikes



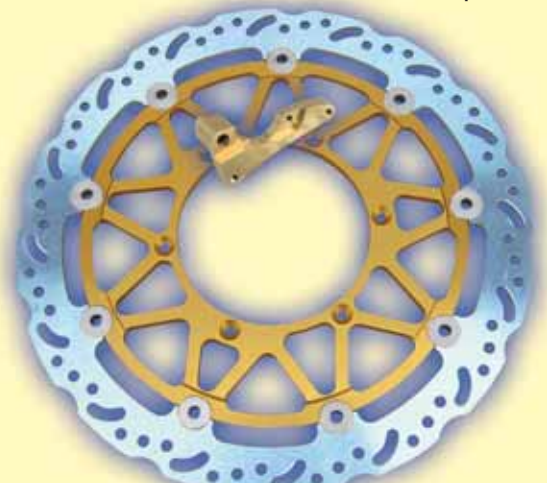
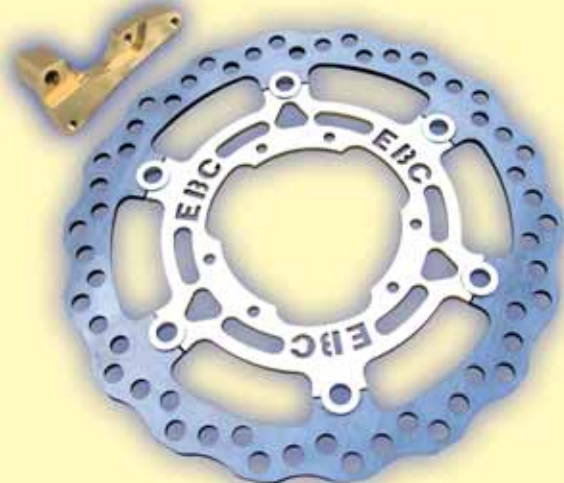
Optimum 250mm diameter and comes complete with relocation bracket. All rotors feature contoured profile as standard.

EBC Oversize MX Disc Kits

280mm oversize disc kit complete with relocation bracket for improved brake power and control. Part number is the same for both full circle and contour, as stocks rotate all rotors will be made in contoured profile.

EBC Supermotard Contour Rotor Kit

320mm rotor upgrade kits complete with relocation bracket. To order prefix with SM, example SM6037C. Most models now made with contoured profile.



EBC Street & Road Race PAD Options

EBC Organic Brake Pads

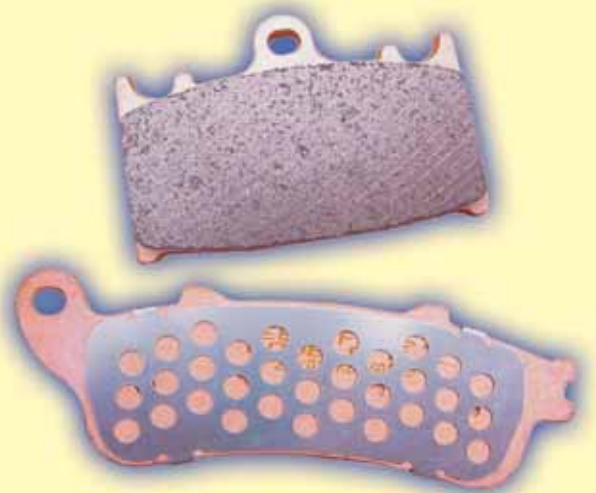
FA series Kevlar organic pads provide fingertip stopping power and are the preferred choice for many sportbike riders, having low disc attack characteristics and medium lifetime.

British Made 



EBC Double-H™ Superbike Pads

FA series, with HH suffix, denotes EBC's American made ultra high friction Double-H sintered copper alloy brake pads for maximum stopping power and lifetime. Fitted with stainless steel radiator plates for bikes without built in piston insulators to reduce heat transfer into hydraulics and new double compact vented technology for wider pads, reducing backplate bending.



Unique EBC stainless steel radiator plates to reduce heat transfer to brake system

Made in the USA 

EPFA Series Road/Off Road/Race Pads

Part No carries "EPFA" Prefix and "HH" Suffix, reformulated with a new compound designed for better heat cycling and faster bed-in.

Made in the USA 

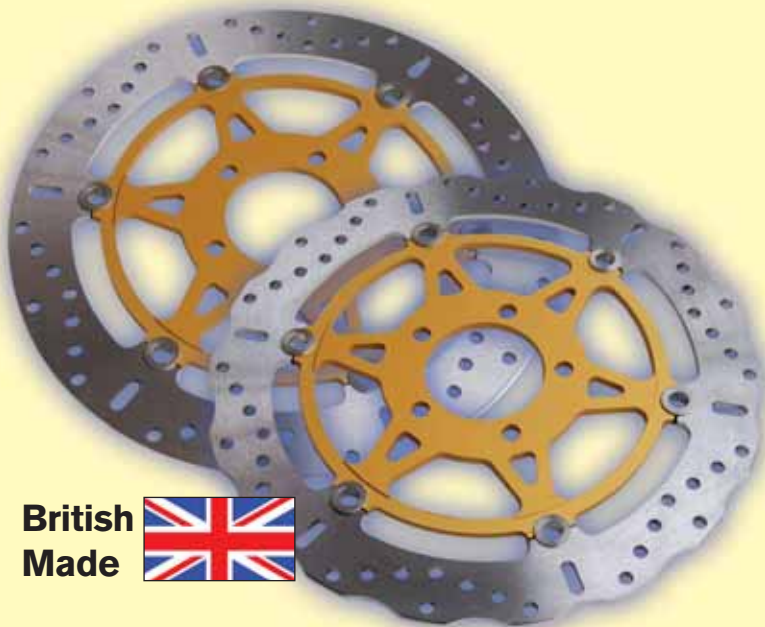


All part numbers, prefixes and suffixes shown in this catalog are unique and form a registered copyright as the property of EBC Brakes and its UK trademark owners

EBC Street & Race Brake Rotors

EBC Pro-lite Street & Race Hybrid Brake Rotors

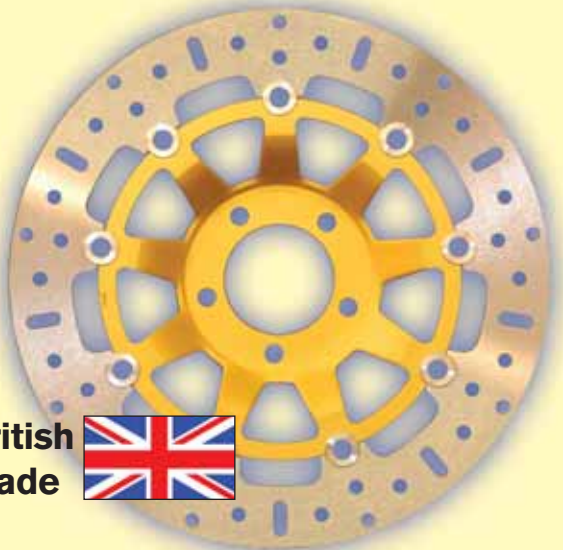
The new X and XC series rotors perform so well with the new stainless steel rotor blades, ultra light 6 button construction and new SD system square drive technology that these rotors are now standard fitment for both road race use and street sport applications. These units are riveted together and are no longer rebuildable due to the infinite service life obtained with the SD square drive button system. To order add suffix X or XC, example MD3058X or MD3058XC.



British Made 

EBC Pro-lite Replacement Rotors

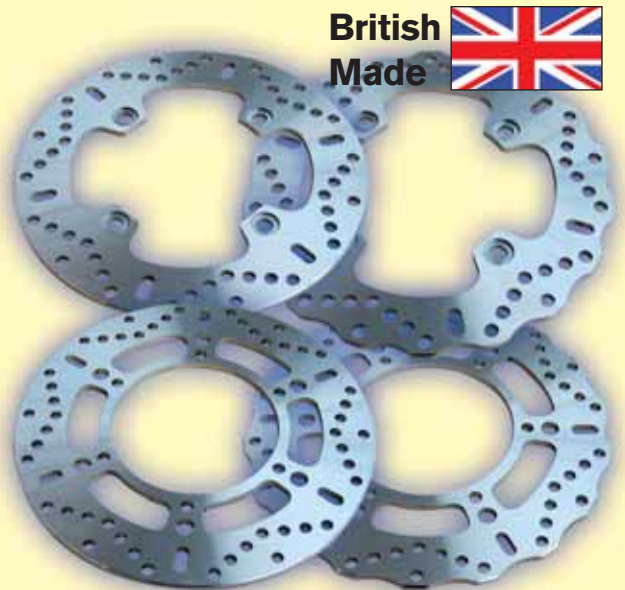
Part No carries "LS" or "RS" Suffix for left or right side and now feature stainless steel rotor blades.



British Made 

EBC Stainless Steel Rear Brake Rotors

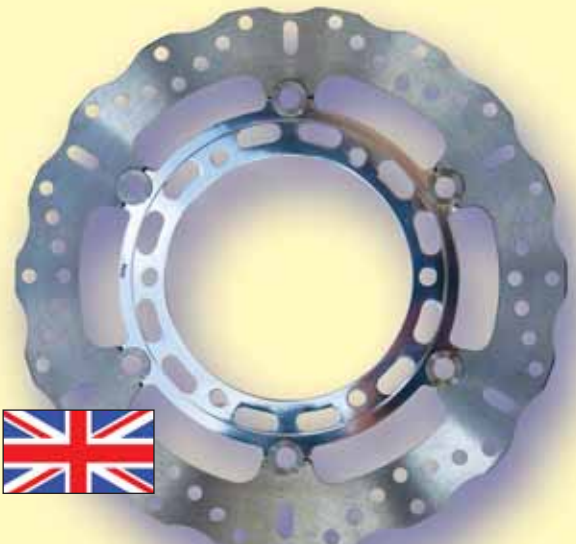
Now made from stainless steel and available in full circle or contoured profile, suitable for performance street use or racing with new lightweight hole pattern construction. Full circle rear rotors part numbers are MD1004 or MD1004C for contour.



British Made 

Custom Rotors for Naked Bikes

Universal for left and right with stainless steel rotor blade and polished and heat lacquered alloy center hubs. Part number example MD3058CC, add letters CC to denote this series.

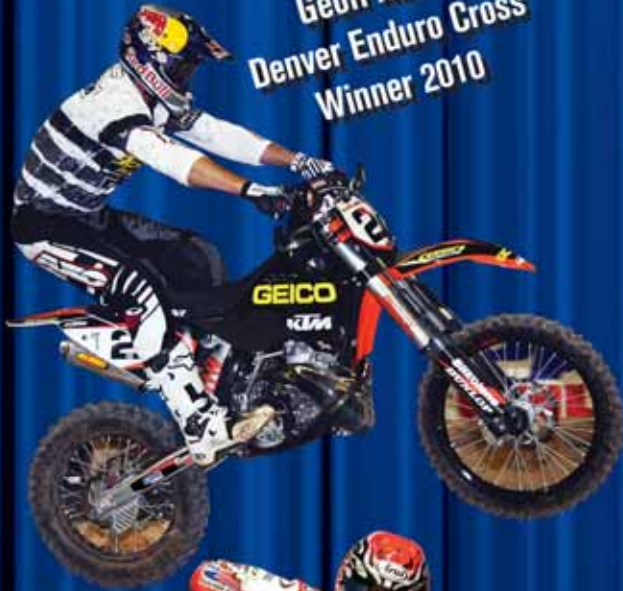


British Made 

OFF ROAD

HALL OF FAME 2010

Geoff Aaron
Denver Enduro Cross
Winner 2010



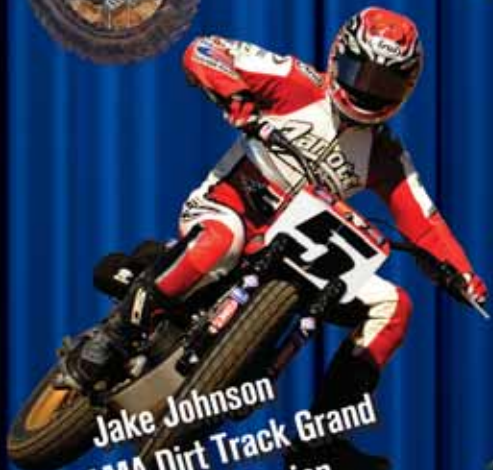
Travis Pastrana
2010 X Games Gold Medalist



Paul Whibley
AMPro Yamaha Rider
& 2009 / 2010 O/R Champ



Jake Johnson
2010 AMA Dirt Track Grand
National Champion



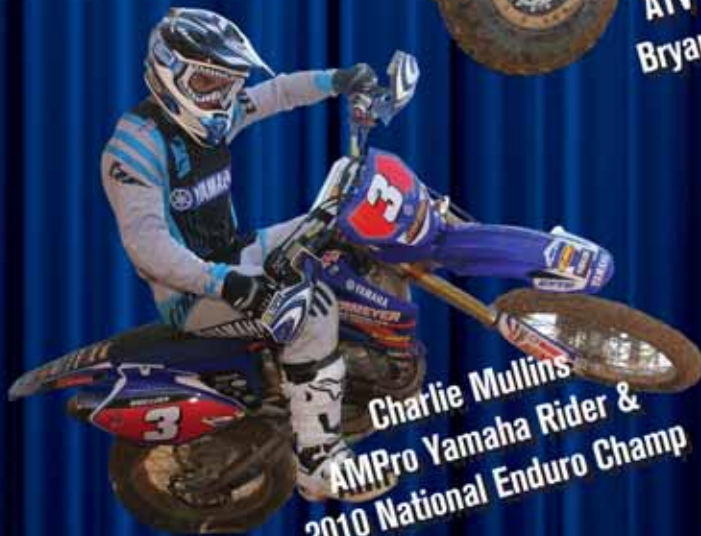
ATV Racer
Bryan Hulsey



Mike Sigety
7 Time US National
Offroad Champ



Charlie Mullins
AMPro Yamaha Rider &
2010 National Enduro Champ



ROAD RACE

HALL OF FAME 2010

Dan "Otis" Turner
MRA 2010
& 7 Times
Race of the
Rockies Champ



Bobby Fong
AMA Daytona
Sportbike Racer



Mike Morgan
AMA Daytona
Sportbike Racer



Gerry Signorelli
USBA 2010 Master
of the Mountain
GTO Champ



Danny Eslick
2010 AMA XR 1200
Series Champion



Jordan Szoke
2010 Canadian Superbike
& Pro Sportbike 600
National Champion



Austin DeHaven
2010 AMA Young Gun
Supersport Champ



Alan Schmidt
2010 & Seven Time
DMRRA #1 Champ



Tim Hunt
2010 WERA Open
Superstock
National Champ



Garry Gallagher
EBC Brakes



EBC Brakes offers the widest contingency program for on and off road racing in the world. If you have your own race team, contact Garry Gallagher (pictured above, testing EBC Brake pads) for sign-up details and a list of contingency monies available to you.

☎ (425) 485-7610 or email mrsi2@comcast.net

PAD/SHOE/ROTOR Applications for AMERICAN PRODUCED MOTORCYCLES

APPLICATIONS

BRAKE

HARLEY-DAVIDSON®

Make / Model / Year

| | FRONT | | | | REAR | | | |
|---|----------|--------|---------|---------|----------|--------|---------|---------|
| | Pads | | Discs | | Pads | | Discs | |
| F-150 Pick Up Truck Special Edition 00-04 | DP61259 | GREEN | GD7130 | GD7130 | DP61633 | GREEN | GD7154 | GD7154 |
| | DP41259R | YELLOW | USR7130 | USR7130 | DP41633R | YELLOW | USR7154 | USR7154 |

NOTE - There is a choice of pad materials and disc types available on this vehicle, see website www.ebcbrakes.com for details on car material descriptions.

HARLEY-DAVIDSON®

Make / Model / Year

SPORTSTER SERIES

XL, XLH, XLCH, XLS, XLX (Sportster®, 53C Custom®)

| | FRONT | | | | REAR | | | |
|---------------------------------------|--------------|---------------|------------|-------------|--------------|---------------|------------|-------------|
| | Organic Pads | Sintered Pads | FSD (Left) | FSD (Right) | Organic Pads | Sintered Pads | RSD (Left) | RSD (Right) |
| 54-78 | N/A | | N/A | | N/A | | | N/A |
| 54-72 | N/A | | N/A | | N/A | | | N/A |
| 73-77 (XLH, XLCH) (Rivet Type) | FA26 | | | N/A | FA72 | | | N/A |
| 79-81 (Twin fronts) | FA71* | | N/A | N/A | FA72 | | N/A | |
| 82-83 (Twin fronts) (Girling caliper) | FA71* | | N/A | N/A | FA78 | | N/A | |
| 84-Early 87 (Girling caliper) | FA94 | FA94HH | FSD009 | | FA78 | FA78HH | N/A | |
| Late 87-99 | FA94 | FA94HH | FSD009 | | FA200 | FA200HH | RSD019 | |
| XL 50 50th Anniversary Sportster | FA381 | FA381HH | FSD010 | | FA387 | FA387HH | RSD020 | |
| XLH Sportster 883 | FA400 | FA400HH | FSD010 | | FA400 | FA400HH | RSD020 | |
| XLH Sportster 883 R Flat Track | FA400 | FA400HH | FSD010 | | FA400 | FA400HH | RSD020 | |
| XL Sportster 883 Hugger | FA400 | FA400HH | FSD010 | | FA400 | FA400HH | RSD020 | |
| XL Sportster 53c Custom (883cc) | FA400 | FA400HH | FSD010 | | FA400 | FA400HH | RSD020 | |
| XL 883 Sportster Standard | FA381 | FA381HH | FSD010 | | FA387 | FA387HH | RSD020 | |
| XL 883 C Sportster Custom | FA381 | FA381HH | FSD010 | | FA387 | FA387HH | RSD020 | |
| XL 883 L 883 Low | FA381 | FA381HH | FSD010 | | FA387 | FA387HH | RSD020 | |
| XL 883 L Superlow | FA381 | FA381HH | FSD010 | | FA387 | FA387HH | RSD020 | |
| XL 883 Iron | FA381 | FA381HH | FSD010 | | FA387 | FA387HH | RSD020 | |
| XL 883 R Sportster R | FA381* | FA381HH* | FSD010 | FSD010 | FA387 | FA387HH | RSD020 | |
| XL 883 R Roadster | FA381* | FA381HH* | FSD010 | FSD010 | FA387 | FA387HH | RSD020 | |
| XL Sportster 1200c Custom | FA400 | FA400HH | FSD010 | | FA400 | FA400HH | RSD020 | |
| XL Sportster 1200s Sport | FA400* | FA400HH* | FSD010 | FSD010 | FA400 | FA400HH | RSD020 | |
| XL 1200 R Sportster Roadster | FA381* | FA381HH* | FSD004 | FSD004 | FA387 | FA387HH | RSD020 | |
| XL 1200 C Sportster Custom | FA381 | FA381HH | FSD004 | | FA387 | FA387HH | RSD020 | |
| XL 1200 L Sportster Low | FA381 | FA381HH | FSD010 | | FA387 | FA387HH | RSD020 | |
| XL 1200 N Nightster (Spoke wheel) | FA381 | FA381HH | FSD010 | | FA387 | FA387HH | RSD020 | |
| XL 1200 X Forty Eight | FA381 | FA381HH | FSD010 | | FA387 | FA387HH | RSD020 | |
| XR 1200 | | FA296HH* | MD523X | MD523X | FA387 | FA387HH | MD524 | |
| XR 1200 X | | FA296HH* | MD523X | MD523X | FA387 | FA387HH | MD524 | |

DYNA SERIES

FX, FXE, FXEF, FXWG, FXS

| | | | | | | | | |
|------------------------------|-------|---------|--------|--------|--------|--------|--|-----|
| 73-77 (FX, FXE) (Rivet Type) | FA26 | | N/A | | FA24/2 | | | N/A |
| Late 78-83 (Twin Fronts) | FA71 | | N/A | | FA24/2 | | | N/A |
| 84-86 | FA94* | FA94HH* | FSD009 | FSD009 | FA78 | FA78HH | | N/A |
| 83 (FXWG, FXSB) | FA71 | | N/A | | FA78 | FA78HH | | N/A |

FL, FLH

| | | | | | | | | |
|------------------------|--------|--|-----|--------|--------|--|-----|--|
| 49-71 | N/A | | | | N/A | | | |
| 58-62 | N/A | | | | N/A | | | |
| 72-84 (Banana Caliper) | FA24/2 | | N/A | FA24/2 | | | N/A | |
| 72-80 (Banana Caliper) | FA24/2 | | N/A | | FA24/2 | | N/A | |
| 81-84 | FA24/2 | | N/A | | FA79 | | N/A | |

FXD, FXDL, FXDWG, FXR, FXRS, FXRT, FXRD, FXLR

(Convertible®, Dyna®, Superglide®, Sportglide®, Lowrider®, Wide Glide®)

| | | | | | | | | |
|--------------------------------|--------|----------|--------|--------|-------|---------|-----|--------|
| 82-83 (Twin Fronts) | FA71 | | N/A | | | | | |
| 84-99 | FA94* | FA94HH* | FSD009 | FSD009 | | | | |
| 82-Early 87 (Girling Caliper) | | | | | FA78 | FA78HH | N/A | |
| Late 87-99 | | | | | FA200 | FA200HH | | RSD019 |
| FXD Super Glide | FA400 | FA400H | FSD010 | | FA400 | FA400HH | | RSD020 |
| FXD Super Glide (Cast wheel) | | FA457HH | MD516♦ | | | FA458HH | | RSD020 |
| FXDF Fat Bob (Cast wheel) | | FA457HH* | MD518 | | | FA458HH | | RSD020 |
| FXDX Super Glide Sport | FA400* | FA400HH* | FSD010 | FSD010 | FA400 | FA400HH | | RSD020 |
| FXDL Low Rider | FA400* | FA400HH* | FSD010 | FSD010 | FA400 | FA400HH | | RSD020 |
| FXDWG Wide Glide | FA400* | FA400HH* | FSD010 | | FA400 | FA400HH | | RSD020 |
| FXDWG Wide Glide (Spoke wheel) | | FA457HH | MD518 | | | FA458HH | | FSD020 |

All part numbers, prefixes and suffixes shown in this catalog are unique and form a registered copyright as the property of EBC Brakes and its UK trademark owners

* 2 Sets Required. All names & numbers are for reference purposes only. ® Registered Trademarks of Harley-Davidson® Motor Corp or Buell. Recommended Fittings: FA400 for use on polished or chrome show rotors. FA400HH recommended fitting as replacement for O/E. NOTE: - Some models may have a second rotor fitted as an optional extra. Please double check with your customer exactly which side the front rotor is fitted and if twin rotor or single.

PAD/SHOE/ROTOR Applications for AMERICAN PRODUCED MOTORCYCLES

HARLEY-DAVIDSON®

Make / Model / Year

DYNA SERIES Contd.

| | | FRONT | | | | REAR | | | |
|---|-------|--------------|---------------|------------|-------------|--------------|---------------|------------|-------------|
| | | Organic Pads | Sintered Pads | FSD (Left) | FSD (Right) | Organic Pads | Sintered Pads | RSD (Left) | RSD (Right) |
| FXDS-CON Dyna Convertible | 00-02 | FA400* | FA400HH* | FSD010 | FSD010 | FA400 | FA400HH | | RSD020 |
| FXDXT Superglide T-Sport | 01-03 | FA400* | FA400HH* | FSD010 | FSD010 | FA400 | FA400HH | | RSD020 |
| FXDi Super Glide 1450 | 04-05 | FA400 | FA400HH | FSD010 | | FA400 | FA400HH | | RSD020 |
| FXDi 35 35th Anniversary Super Glide (Spoke wheels) | 06 | FA400 | FA400HH | MD518 | | FA400 | FA400HH | | RSD020 |
| FXDXi Super Glide Sport | 04-05 | FA400* | FA400HH* | FSD010 | FSD010 | FA400 | FA400HH | | RSD020 |
| FXDLi Low Rider 1450 | 04-05 | FA400 | FA400HH | FSD010 | | FA400 | FA400HH | | RSD020 |
| FXDLi Dyna Low Rider (Spoke wheels) | 06 | FA400 | FA400HH | MD518 | | FA400 | FA400HH | | RSD020 |
| FXDWGi Wide Glide 1450 | 04-05 | FA400 | FA400HH | FSD010 | | FA400 | FA400HH | | RSD020 |
| FXDWGi Dyna Wide Glide (Spoke wheels) | 06-07 | FA400 | FA400HH | MD518 | | FA400 | FA400HH | | RSD020 |
| FXDWG Dyna Wide Glide (Spoke Wheels) | 10-11 | | FA457HH | MD518 | | | FA458HH | | RSD020 |
| FXDC/FXDCi Super Glide Custom | 05 | FA400 | FA400HH | FSD010 | | FA400 | FA400HH | | RSD020 |
| FXDCi Dyna Superglide Custom (Spoke wheels) | 06-07 | FA400 | FA400HH | MD518 | | FA400 | FA400HH | | RSD020 |
| FXDC Super Glide Custom (Spoke wheel) | 08-11 | | FA457HH | MD518 | | | FA458HH | | RSD020 |
| FXDBi Street Bob (Spoke wheels) | 06-07 | FA400 | FA400HH | MD518 | | FA400 | FA400HH | | RSD020 |
| FXDB Street Bob (Spoke wheel) | 08-11 | | FA457HH | MD518 | | | FA458HH | | RSD020 |
| FXDi Super Glide (Cast wheel) | 06-07 | FA400 | FA400HH | MD516♦ | | FA400 | FA400HH | | RSD020 |
| FXDLi (Cast wheel) | 06-07 | FA400 | FA400HH | MD516♦ | | FA400 | FA400HH | | RSD020 |
| FXDL Low Rider (Cast wheel) | 08-09 | | FA457HH | MD516♦ | | | FA458HH | | RSD020 |
| FXDCi Superglide Custom (Cast wheel) | 06 | FA400 | FA400HH | MD516♦ | | FA400 | FA400HH | | RSD020 |

♦ NOTE - NEW FLOATING CONVERSION

AVAILABLE TO REPLACE MD516

ORIGINAL SOLID DISC. ORDER MD516X

SOFTAIL SERIES

FXST, FXSTB, FXSTC, FXSTS, FLST, FLSTC, FLSTF, FLSTS, FLSTN

(Fat boy®, Softail®, Softail Custom®, Heritage Softail®, Heritage Softail Custom®, Heritage Springer®, Springer®, Night train®)

| | | | | | | | | | |
|---|-------|-------|---------|--------|--------|-------|---------|--|--------|
| 84- Early 87 (Girling Caliper) | | FA94 | FA94HH | FSD009 | | FA78 | FA78HH | | N/A |
| Late 87-99 | | | | | | FA200 | FA200HH | | RSD019 |
| FXST/FXSTi Softail Standard | 00-05 | FA400 | FA400HH | FSD010 | | FA400 | FA400HH | | RSD020 |
| FXSTB/FXSTBi Night Train | 00-05 | FA400 | FA400HH | FSD010 | | FA400 | FA400HH | | RSD020 |
| FXSTDi/FXSTDi Softail Deuce/i | 00-07 | FA400 | FA400HH | FSD010 | | FA400 | FA400HH | | RSD020 |
| FXSTS/FXSTSi Softail Springer | 00-05 | FA94 | FA94HH | | FSD009 | FA400 | FA400HH | | RSD020 |
| FLSTF/FLSTFi Fat Boy | 00-06 | FA400 | FA400HH | FSD010 | | FA400 | FA400HH | | RSD020 |
| FLSTF/FLSTFi Fat Boy | 07 | FA400 | FA400HH | FSD010 | | FA400 | FA400HH | | RSD020 |
| FLSTFB Fat Boy Special / LO | 10-11 | | FA457HH | FSD010 | | | FA458HH | | RSD020 |
| FLSTFi Fat Boy 15th Anniversary Edition | 05 | FA400 | FA400HH | FSD010 | | FA400 | FA400HH | | RSD020 |
| FLSTCi/FLSTCi Heritage Classic/i | 00-07 | FA400 | FA400HH | FSD010 | | FA400 | FA400HH | | RSD020 |
| FLSTS Heritage Springer | 00-03 | FA94 | FA94HH | FSD010 | | FA400 | FA400HH | | RSD020 |
| FLSTN/FLSTNi Softail Deluxe | 05-07 | FA400 | FA400HH | FSD010 | | FA400 | FA400HH | | RSD020 |
| FLSTSC/FLSTSCi Springer Classic | 05-07 | FA94 | FA94HH | FSD010 | | FA400 | FA400HH | | RSD020 |
| FLST/FLSTi Heritage Softail | 06 | FA400 | FA400HH | FSD010 | | FA400 | FA400HH | | RSD020 |
| FLSTSB Softail Cross Bones | 08-11 | FA94 | FA94HH | FSD010 | | | FA458HH | | RSD020 |
| FXST/FXSTi Softail Standard | 06-07 | FA400 | FA400HH | FSD010 | | FA434 | FA434HH | | RSD020 |
| FXSTB/FXSTBi Night Train Softail | 06-07 | FA400 | FA400HH | FSD010 | | FA434 | FA434HH | | RSD020 |
| FXSTB Night Train (Spoke wheel) | 08-09 | | FA457HH | FSD010 | | | FA458HH | | RSD020 |
| FXSTC Softail Custom | 07 | FA400 | FA400HH | FSD010 | | FA400 | FA400HH | | RSD020 |
| FXSTC Softail Custom (Spoke wheel) | 08-10 | | FA457HH | FSD010 | | | FA458HH | | RSD020 |
| FLSTSC/FLSTSCi Springer Softail Classic | 06-07 | FA94 | FA94HH | FSD010 | | FA434 | FA434HH | | RSD020 |
| FLSTC Heritage Softail Classic | 07 | FA400 | FA400HH | FSD010 | | FA434 | FA434HH | | RSD020 |
| FLSTC Heritage Softail Classic | 08-11 | | FA457HH | FSD010 | | | FA458HH | | RSD020 |
| FLSTF Fat Boy (Solid wheel) | 08-11 | | FA457HH | FSD010 | | | FA458HH | | RSD020 |
| FLSTN Softail Deluxe (Spoke wheel) | 08-11 | | FA457HH | FSD010 | | | FA458HH | | RSD020 |
| FXCW Rocker (Cast wheel) | 08-09 | | FA457HH | FSD010 | | | FA458HH | | RSD020 |
| FXCWC Rocker C (Cast wheel) | 08-11 | | FA457HH | FSD010 | | | FA458HH | | RSD020 |

BRAKE APPLICATIONS
 * 2 Sets Required. All names & numbers are for Reference purposes only. © Registered Trademarks of Harley-Davidson® Motor Corp or Buell.
 Recommended Fittings: FA400 for use on polished or chrome show rotors. FA400HH recommended fitting as replacement for O/E.
 NOTE :- Some models may have a second rotor fitted as an optional extra. Please double check with your customer exactly which side the front rotor is fitted and if twin rotor or single.

PAD/SHOE/ROTOR Applications for AMERICAN PRODUCED MOTORCYCLES

APPLICATIONS

BRAKE

HARLEY-DAVIDSON®

Make / Model / Year

TOURING SERIES

FLT, FLHT, FLHTCI

(Ultraglide®, Electraglide®, Electraglide Classic®/Ultra Classic®)

| | | FRONT | | | | REAR | | | |
|--|-------|--------------|---------------|------------|-------------|--------------|---------------|------------|-------------|
| | | Organic Pads | Sintered Pads | FSD (Left) | FSD (Right) | Organic Pads | Sintered Pads | RSD (Left) | RSD (Right) |
| 80-83 | | FA72* | | N/A | N/A | FA79 | | | N/A |
| 84-85 | | FA94* | FA94HH* | N/A | N/A | FA79 | | | N/A |
| 86-99 | | FA94* | FA94HH* | FSD009 | FSD009 | FA201 | FA201HH | | MD509SR |
| FLHR, FLHRCI (Road King®, Road King Classic®) | | | | | | | | | |
| 94-99 | | FA94* | FA94HH* | FSD009 | FSD009 | FA201 | FA201HH | | MD509SR |
| FLHRI/FLHR Road King | 00-07 | FA400* | FA400HH* | FSD010 | FSD010 | FA400 | FA400HH | | RSD020 |
| FLHRCI Road King Classic | 00-07 | FA400* | FA400HH* | FSD010 | FSD010 | FA400 | FA400HH | | RSD020 |
| FLHR Road King | 08-11 | FA409* | FA409HH* | MD520 | MD520 | FA409 | FA409HH | | MD521 |
| FLHRC Road King Classic | 08-11 | FA409* | FA409HH* | MD520 | MD520 | FA409 | FA409HH | | MD521 |
| FLHT/FLHTi Electra Glide Standard | 00-07 | FA400* | FA400HH* | FSD010 | FSD010 | FA400 | FA400HH | | RSD020 |
| FLTR/FLTR-i Road Glide | 00-07 | FA400* | FA400HH* | FSD010 | FSD010 | FA400 | FA400HH | | RSD020 |
| FLTR Road Glide | 08-09 | FA409* | FA409HH* | MD520 | MD520 | FA409 | FA409HH | | MD521 |
| FLTRX Road Glide Custom | 10-11 | FA409* | FA409HH* | MD520 | MD520 | FA409 | FA409HH | | MD521 |
| FLTRU Road Glide Ultra | 11 | FA409* | FA409HH* | MD520 | MD520 | FA409 | FA409HH | | MD521 |
| FLHTCU-i Electra Glide Ultra Classic | 00-07 | FA400* | FA400HH* | FSD010 | FSD010 | FA400 | FA400HH | | RSD020 |
| FLHRS/FLHRSi Road King Custom | 04-07 | FA400* | FA400HH* | FSD010 | FSD010 | FA400 | FA400HH | | RSD020 |
| FLHTC/FLHTCi Electra Glide Classic | 04-07 | FA400* | FA400HH* | FSD010 | FSD010 | FA400 | FA400HH | | RSD020 |
| FLHTC Electra Glide Classic | 08-11 | FA409* | FA409HH* | MD520 | MD520 | FA409 | FA409HH | | MD521 |
| FLHTCU Ultra Classic Electra Glide | 08-11 | FA409* | FA409HH* | MD520 | MD520 | FA409 | FA409HH | | MD521 |
| FLHT Electra Glide Standard | 08-10 | FA409* | FA409HH* | MD520 | MD520 | FA409 | FA409HH | | MD521 |
| FLHTK Electra Glide Ultra LTD | 10-11 | FA409* | FA409HH* | MD520 | MD520 | FA409 | FA409HH | | MD521 |
| FLHX/FLHXi Street Glide | 06-07 | FA400* | FA400HH* | FSD010 | FSD010 | FA400 | FA400HH | | RSD020 |
| FLHX Street Glide | 08-11 | FA409* | FA409HH* | MD520 | MD520 | FA409 | FA409HH | | MD521 |
| FLHTCUTG Tri Glide Ultra Classic Trike | 09-11 | FA409* | FA409HH* | MD520 | MD520 | N/A* | N/A* | N/A | N/A |
| FLHXXX Street Glide Trike | 10-11 | FA409* | FA409HH* | MD520 | MD520 | N/A* | N/A* | N/A | N/A |

VRSCA/VRSCB

| | | | | | | | | | |
|---------------------------------------|-------|--------|----------|---------|---------|-------|---------|--|-------|
| V-Rod | 02-04 | FA400* | FA400HH* | MD514LS | MD514RS | FA400 | FA400HH | | MD515 |
| V-Rod | 05-06 | FA409* | FA409HH* | MD516♦ | MD516♦ | FA409 | FA409HH | | MD517 |
| VRSCAW V-Rod | 07 | FA409* | FA409HH* | MD516♦ | MD516♦ | FA409 | FA409HH | | MD517 |
| VRSCAW V-Rod (Spoke wheel) | 08-09 | FA409* | FA409HH* | MD519LS | MD519RS | FA409 | FA409HH | | MD517 |
| VRSCR Street Rod | 05-07 | FA409* | FA409HH* | MD516♦ | MD516♦ | FA409 | FA409HH | | MD517 |
| VRSCD Night Rod (Cast Wheel) | 05-08 | FA409* | FA409HH* | MD516♦ | MD516♦ | FA409 | FA409HH | | MD517 |
| VRSCDX Night Rod Special (Cast Wheel) | 07-11 | FA409* | FA409HH* | MD516♦ | MD516♦ | FA409 | FA409HH | | MD517 |
| VRSCX V-Rod | 07 | FA409* | FA409HH* | MD519LS | MD519RS | FA409 | FA409HH | | MD517 |
| VRSCF V-Rod Muscle | 08-11 | FA409* | FA409HH* | MD516♦ | MD516♦ | FA409 | FA409HH | | MD517 |

♦ NOTE - NEW FLOATING CONVERSION AVAILABLE TO REPLACE MD516 ORIGINAL SOLID DISC = ORDER MD516X

BUELL

| | | | | | | | | | |
|---|-------|-------|----------|--|---------|-------|---------|-------|-----|
| M2 Cyclone®, S1 Lightning®, S2 Thunderbolt®, S3 Thunderbolt® | 94-97 | FA210 | | | MD719RS | FA251 | | MD511 | |
| M2 Cyclone®, S1 Lightning®, S1 Whitelighting®, S3 Thunderbolt®, S3T Thunderbolt®, X1 Lightning (Countersunk screws fixing disc) | 98-00 | FA424 | FA424HH | | MD719RS | FA140 | FA140HH | MD511 | |
| M2 Cyclone, X1 Lightning (Counterbored screws fixing disc) | 00-05 | FA424 | FA424HH | | MD734RS | FA140 | FA140HH | MD511 | |
| Blast | 00-07 | FA196 | FA196HH | | N/A | FA140 | FA140HH | | N/A |
| Firebolt XB9R | 02-07 | | FA345HH | | N/A | FA140 | FA140HH | MD522 | |
| XB9S Lightning | 03-04 | | FA345HH | | N/A | FA140 | FA140HH | MD522 | |
| XB9SX Lightning City X | 05-09 | | FA345HH | | N/A | FA140 | FA140HH | MD522 | |
| XB9 SX Lightning | 08-10 | | FA345HH | | N/A | FA140 | FA140HH | MD522 | |
| XB 12 S Lightning | 04-08 | | FA345HH | | N/A | FA140 | FA140HH | MD522 | |
| XB 12 X Ulysses | 06-10 | | FA345HH | | N/A | FA140 | FA140HH | MD522 | |
| XB12 XT Ulysses | 08-10 | | FA345HH | | N/A | FA140 | FA140HH | MD522 | |
| XB 12 SCG Lightning | 06-08 | | FA345HH | | N/A | FA140 | FA140HH | MD522 | |
| XB 12 Ss Lightning Long | 06-08 | | FA345HH | | N/A | FA140 | FA140HH | MD522 | |
| XB 12 Ss Lightning | 09-10 | | FA454/HH | | N/A | FA140 | FA140HH | MD522 | |
| XB12 STT Lightning | 08 | | FA345HH | | N/A | FA140 | FA140HH | MD522 | |

* 2 Sets Required. All names & numbers are for Reference purposes only. ® Registered Trademarks of Harley-Davidson® Motor Corp or Buell. Recommended Fittings: FA400 for use on polished or chrome show rotors. FA400HH recommended fitting as replacement for O/E. NOTE :- Some models may have a second rotor fitted as an optional extra. Please double check with your customer exactly which side the front rotor is fitted and if twin rotor or single.

All part numbers, prefixes and suffixes shown in this catalog are unique and form a registered copyright as the property of EBC Brakes and its UK trademark owners

PAD/SHOE/ROTOR Applications for AMERICAN PRODUCED MOTORCYCLES

| Make / Model / Year | FRONT | | | | REAR | | | |
|--|--------------|---------------|------------|-------------|--------------|---------------|------------|-------------|
| | Organic Pads | Sintered Pads | FSD (Left) | FSD (Right) | Organic Pads | Sintered Pads | RSD (Left) | RSD (Right) |
| BUELL Contd. | | | | | | | | |
| XB12 SCG Lightning | 09-10 | | FA454/4HH | | N/A | FA140 | FA140HH | MD522 |
| XB 12 R Firebolt | 04-08 | | FA345HH | | N/A | FA140 | FA140HH | MD522 |
| XB 12 R Firebolt | 09-10 | | FA454/4HH | | N/A | FA140 | FA140HH | MD522 |
| 1125 R | 08-10 | | FA454/4HH | | N/A | | FA460HH | N/A |
| 1125 CR | 09-10 | | FA454/4HH | | N/A | | FA460HH | N/A |
| VICTORY | | | | | | | | |
| Victory V92C (All models single front rotor) | 98-03 | FA244 | FA244HH | MD727 | | FA209/2 | FA209/2HH | MD727 |
| Victory V92SC | 00-03 | FA244* | FA244HH* | MD727 | MD727 | FA209/2 | FA209/2HH | MD727 |
| Cross Country | 10-11 | | FA347HH* | TBA | TBA | FA196 | FA196HH | TBA |
| Cory Ness Victory Cross Country | 11 | | FA347HH* | TBA | TBA | FA196 | FA196HH | TBA |
| Cross Roads | 10-11 | | FA347HH* | TBA | TBA | FA196 | FA196HH | TBA |
| Arlen Ness Victory Vision | 10-11 | | FA261HH* | TBA | TBA | FA196 | FA196HH | TBA |
| Cory Ness Jackpot | 08-10 | | FA347HH | TBA | | FA196 | FA196HH | TBA |
| Ness Signature Series | 05-07 | FA244 | FA244HH | MD678 | | FA209/2 | FA209/2HH | MD678 |
| Hammer | 05-07 | FA244* | FA244HH* | MD678 | MD678 | FA209/2 | FA209/2HH | MD678 |
| Hammer | 08-11 | | FA347HH* | TBA | TBA | FA196 | FA196HH | TBA |
| Hammer 8 Ball | 10-11 | | FA347HH* | TBA | TBA | FA196 | FA196HH | TBA |
| Hammer S | 07 | FA244* | FA244HH* | MD678 | MD678 | FA209/2 | FA209/2HH | MD678 |
| Hammer S | 08-11 | | FA347HH* | TBA | TBA | FA196 | FA196HH | TBA |
| Jackpot | 10-11 | | FA347HH | TBA | | FA196 | FA196HH | TBA |
| King Pin | 04-07 | FA244 | FA244HH | MD678 | | FA209/2 | FA209/2HH | MD678 |
| King Pin | 08-11 | | FA347HH | TBA | | FA196 | FA196HH | TBA |
| King Pin Tour | 04-07 | FA244 | FA244HH | MD678 | | FA209/2 | FA209/2HH | MD727 |
| Kingpin Tour | 08-09 | | FA347HH | TBA | | FA196 | FA196HH | TBA |
| Kingpin 8-Ball | 08-11 | | FA347HH | TBA | | FA196 | FA196HH | TBA |
| Kingpin-Low | 09 | | FA347HH | TBA | | FA196 | FA196HH | TBA |
| Vegas | 03-07 | FA244 | FA244HH | MD678 | | FA209/2 | FA209/2HH | MD678 |
| Vegas 8-Ball | 05-07 | FA244 | FA244HH | MD678 | | FA209/2 | FA209/2HH | MD678 |
| Vegas 8-Ball | 08-11 | | FA347HH | TBA | | FA196 | FA196HH | TBA |
| Vegas Jackpot | 06-07 | FA244 | FA244HH | MD678 | | FA209/2 | FA209/2HH | MD678 |
| Vegas | 08-11 | | FA347HH | TBA | | FA196 | FA196HH | TBA |
| Zach Nes Vegas | 11 | | FA347HH | TBA | | FA196 | FA196HH | TBA |
| Vegas Low | 08-09 | | FA347HH | TBA | | FA196 | FA196HH | TBA |
| Vegas Jackpot | 08-09 | | FA347HH | TBA | | FA196 | FA196HH | TBA |
| Vision 8 Ball | 10-11 | | FA261HH* | TBA | TBA | FA196 | FA196HH | TBA |
| Vision Street | 08-09 | | FA261HH* | TBA | TBA | FA196 | FA196HH | TBA |
| Vision Tour (All models) | 08-11 | | FA261HH* | TBA | TBA | FA196 | FA196HH | TBA |
| INDIAN | | | | | | | | |
| Chief All models Chief/Deluxe/Springfield /Road Master/Vintage | 02-08 | FA216/3 | FA216/3HH | N/A | | FA216/3 | FA216/3HH | N/A |
| Spirit All models Deluxe/Springfield/Roadblaster | 02-08 | FA216/3 | FA216/3HH | N/A | | FA216/3 | FA216/3HH | N/A |
| Scout All models Scout/Deluxe/Springfield | 02-08 | FA216/3 | FA216/3HH | N/A | | FA216/3 | FA216/3HH | N/A |
| Chief Blackhawk (Brembo calipers) | 11 | FA95* | FA95HH* | TBA | TBA | FA18 | FA18HH | TBA |
| Chief Blackhawk Dark (Brembo calipers) | 11 | FA95* | FA95HH* | TBA | TBA | FA18 | FA18HH | TBA |
| Chief Classic (Brembo calipers) | 11 | FA95* | FA95HH* | TBA | TBA | FA18 | FA18HH | TBA |
| Chief Standard (Brembo calipers) | 09-11 | FA95* | FA95HH* | TBA | TBA | FA18 | FA18HH | TBA |
| Chief Deluxe (Brembo calipers) | 09 | FA95* | FA95HH* | TBA | TBA | FA18 | FA18HH | TBA |
| Chief Roadmaster (Brembo calipers) | 09-11 | FA95* | FA95HH* | TBA | TBA | FA18 | FA18HH | TBA |
| Chief Vintage (Brembo calipers) | 09-11 | FA95* | FA95HH* | TBA | TBA | FA18 | FA18HH | TBA |
| Bomber (Brembo calipers) | 10-11 | FA95* | FA95HH* | TBA | TBA | FA18 | FA18HH | TBA |
| Dark Horse (Brembo calipers) | 10-11 | FA95* | FA95HH* | TBA | TBA | FA18 | FA18HH | TBA |
| CAN-AM | | | | | | | | |
| Spyder SM5 GS990 (3 wheeler) | 08-11 | FA474* | | MD801 | MD801 | FA473 | | MD802 |
| Spyder SE5 GS990 (3 wheeler) | 08-11 | FA474* | | MD801 | MD801 | FA473 | | MD802 |
| ATK | | | | | | | | |
| GT 250 R V-Twin Sport | 11 | FA86* | FA86HH* | MD690 | MD690 | FA86 | FA86HH | MD689 |
| GV 250 V-Twin Cruiser | 11 | FA86 | FA86HH | TBA | | 606 | | |
| GT 650 R V-Twin Sport | 11 | FA86* | FA86HH* | MD690 | MD690 | FA86 | FA86HH | MD689 |
| GV 650 V-Twin Cruiser | 11 | FA86* | FA86HH* | MD691 | MD691 | FA86 | FA86HH | TBA |

BRAKE APPLICATIONS
 * 2 Sets Required. All names & numbers are for Reference purposes only. © Registered Trademarks of Harley-Davidson® Motor Corp or Buell. Recommended Fittings: FA400 for use on polished or chrome show rotors. FA400HH recommended fitting as replacement for O/E. NOTE :- Some models may have a second rotor fitted as an optional extra. Please double check with your customer exactly which side the front rotor is fitted and if twin rotor or single.

All rear rotor
thicknesses 5mm
or 0.2"

FRONT

NARROW BAND SERIES

FSD001 (2" bore)
FSD002 (2.25" bore)
Solid Rotor

This rotor will accept pads FA216/3,
FA299, FA381 & FA400.

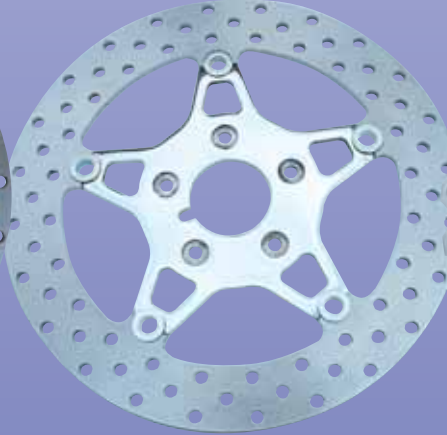
**British
Made** 



NARROW BAND SERIES

FSD003 (2" bore)
FSD004 (2.25" bore)
5 button full floater

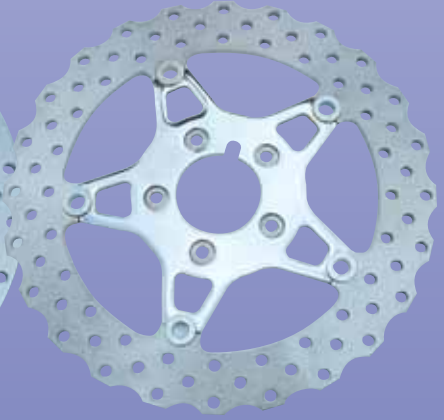
This rotor will accept pads FA216/3,
FA299, FA381 & FA400.



NARROW BAND SERIES

FSD005 (2" bore)
FSD006 (2.25" bore)
5 button full floater

This rotor will accept pads FA216/3, FA299,
FA381 & FA400.



WIDE BAND SERIES

FSD007 (2" bore)
FSD008 (2.25" bore)
Solid Rotor

This rotor will accept pads FA94,
FA299 & FA400.

WIDE BAND SERIES

FSD009 (2" bore)
FSD010 (2.25" bore)
5 button full floater

This rotor will accept pads FA94,
FA299 & FA400.

WIDE BAND SERIES

FSD011 (2" bore)
FSD012 (2.25" bore)
5 button full floater

This rotor will accept pads FA94,
FA299 & FA400.

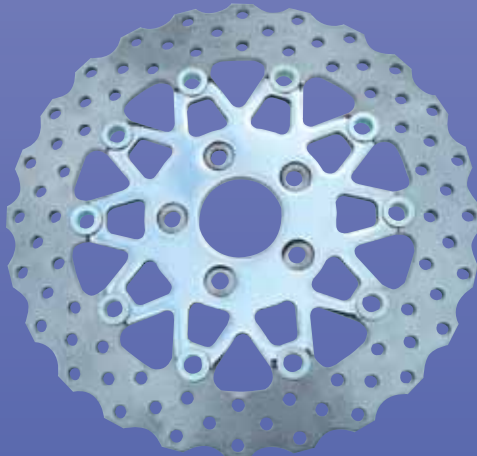
All rear rotor
thicknesses 6mm
or 0.24"

REAR

NARROW BAND SERIES

RSD013 (2" bore)
RSD014 (2.25" bore)
10 button full floater

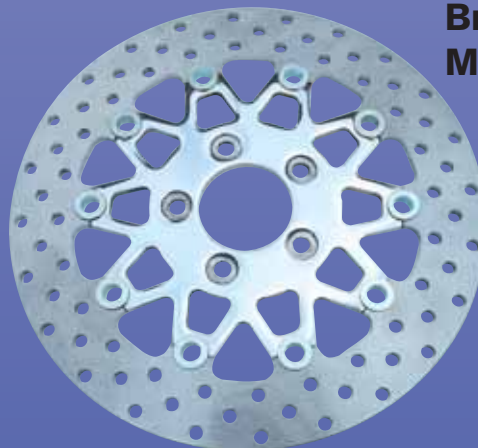
This rotor will accept pads FA216/3 & FA387.



NARROW BAND SERIES

RSD015 (2" bore)
RSD016 (2.25" bore)
10 button full floater

This rotor will accept pads FA216/3 & FA387.



**British
Made** 

All 2011
production
rotors feature
rotor blades
with slots as
shown below.

WIDE BAND SERIES

RSD017 (2" bore)
RSD018 (2.25" bore)
10 button full floater

This rotor will accept pads FA200, FA201,
FA299 & FA400.

WIDE BAND SERIES

RSD019 (2" bore)
RSD020 (2.25" bore)
10 button full floater

This rotor will accept pads FA200, FA201,
FA299 & FA400.



EBC Stainless Steel Custom Rotors for American Motorcycles

All rotors fit standard 5 bolt hubs and are 11.5 inch diameter.
 Front rotors use 5mm rotor thickness, rears use 6mm rotor thickness.

| New # for Polished Stainless Rotors | Old EBC # As in Listings | |
|-------------------------------------|--------------------------|---------------------------------------|
| FSD007 | MD506 | Solid wide band |
| FSD008 | MD512 | Solid wide band |
| FSD009 | MD506 | 5 button floater wide band |
| FSD010 | MD512 | 5 button floater wide band |
| FSD011C | MD506 | 5 button floater contour wide band |
| FSD012C | MD512 | 5 button floater contour wide band |
| RSD017C | MD508 | 10 button floater contour wide band |
| RSD018C | MD513 | 10 button floater contour wide band |
| RSD019 | MD508 | 10 button floater wide band |
| RSD020 | MD513 | 10 button floater wide band |
| FSD001 | MD506 | Solid narrow band |
| FSD002 | MD512 | Solid narrow band |
| FSD003 | MD506 | 5 button floater narrow band |
| FSD004 | MD512 | 5 button floater narrow band |
| FSD005C | MD506 | 5 button floater contour narrow band |
| FSD006C | MD512 | 5 button floater contour narrow band |
| RSD013C | MD508 | 10 button floater contour narrow band |
| RSD014C | MD513 | 10 button floater contour narrow band |
| RSD015 | MD508 | 10 button floater narrow band |
| RSD016 | MD513 | 10 button floater narrow band |

British Made 



WHICH PADS WORK BEST ...

For almost 30 years Harley riders have appreciated the softer organic pads (EBC Kevlar® formula pads) which offer fingertip stopping, great brake feel and much less rotor damage. EBC now also offer longer lasting American made sintered metal pads for improved life.

Made in the USA 



PAD/SHOE/ROTOR Applications for Japanese STREET Bikes



Choose from world no. 1 selling EBC organic FA series pads or American made Double-H™ sintered



The CONTOUR PLUS range.

EVEN LIGHTER rotor rings now made in STAINLESS STEEL and featuring scraper slots to accelerate pad bed-in when using EBC Double-H™ pads. Hubs are made from EBC's own tough and ductile special mill rolled billet alloy.

See tech section for descriptions of all the pad and rotor options.

STREET BIKES

HONDA

| Year | FRONT | | | | | REAR | | | | | |
|----------|--------------------|------------------------|-----------------------|---------|--------------------------------|--------------|--------------------|------------------------|----------------------|--------------------------------|--------------|
| | ORGANIC PADS/SHOES | SINTERED Double-H PADS | OE REPLACEMENT ROTORS | | CONTOUR ROTOR (see Tech Pages) | CUSTOM ROTOR | ORGANIC PADS/SHOES | SINTERED Double-H PADS | OE REPLACEMENT ROTOR | CONTOUR ROTOR (see Tech Pages) | CUSTOM ROTOR |
| | | | LEFT | RIGHT | | | | | | | |
| 04 | FA197 | FA197HH | | TBA | | | FA131X | | TBA | | |
| 02-11 | 333 | | | | | | 333 | | | | |
| | 303 | | | | | | 303 | | | | |
| 79-81 | 301 | | | | | | 302 | | | | |
| 83-87 | 301 | | | | | | 302 | | | | |
| 77-80 | 301 | | | | | | 301 | | | | |
| 81-83 | 301 | | | | | | 302 | | | | |
| 84 | 301 | | | | | | 301 | | | | |
| 03-09/11 | 333 | | | | | | 333 | | | | |
| 04 | FA197 | FA197HH | | TBA | | | FA131X | | TBA | | |
| 84-87 | 301 | | | | | | 301 | | | | |
| 82-83 | 333 | | | | | | 302 | | | | |
| 81-82 | 301 | | | | | | 302 | | | | |
| 82 | FA54 | FA54HH | | N/A | | | 304 | | | | |
| | 301 | | | | | | N/A | | | | |
| 78-81 | 301 | | | | | | 322 | | | | |
| 82-83 | 301 | | | | | | 301 | | | | |
| 90 | 303 | | | | | | 304 | | | | |
| 85-86 | 301 | | | | | | 301 | | | | |
| 88-93 | 301 | | | | | | 302 | | | | |
| 94-01 | 333 | | | | | | 333 | | | | |
| 88-90 | 301 | | | | | | 301 | | | | |
| 87-88 | 301 | | | | | | 302 | | | | |
| 80-83 | 303 | | | | | | 303 | | | | |
| 85-07 | 303 | | | | | | 333 | | | | |
| 83-84 | 303 | | | | | | 302 | | | | |
| 85 | 303 | | | | | | 333 | | | | |
| 06 | FA197 | FA197HH | | | MD1169C | | FA131X | | | MD1170C | |
| 06 | | | | | MD1169CF | | | | | | |
| 10-11 | FA323 | FA323HH | MD931D | | | | 352 | | | | |
| 79-82 | 304 | | | | | | 304 | | | | |
| 84-85 | 330 | | | | | | 303 | | | | |
| 84 | 303 | | | | | | 303 | | | | |
| 90 | FA124/2 | FA124/2HH | N/A | | | | 310 | | | | |
| 08 | FA375 | | | MD644RS | | | FA343 | | MD1151 | | |
| 09-10 | TBA | | | TBA | | | TBA | | | | |
| 09-10 | TBA | | TBA | | | | TBA | | | | |
| 84 | 303 | | | | | | 303 | | | | |
| 11 | FA603 | FA603HH | MD9134D | | | | 352 | | | | |
| 85-87 | 303 | | | | | | 303 | | | | |

All part numbers, prefixes and suffixes shown in this catalog are unique and form a registered copyright as the property of EBC Brakes and its UK trademark owners

* symbol after part# = 2 pieces reqd. i.e. 2 pad sets or 2 contour rotors

STREET BIKES

HONDA Contd.

| | Year | FRONT | | | | | REAR | | | | | |
|----------------------------------|-------------|--------------------|------------------------|-----------------------|----------|--------------------------------|--------------|--------------------|------------------------|----------------------|--------------------------------|--------------|
| | | ORGANIC PADS/SHOES | SINTERED Double-H PADS | OE REPLACEMENT ROTORS | | CONTOUR ROTOR (see Tech Pages) | CUSTOM ROTOR | ORGANIC PADS/SHOES | SINTERED Double-H PADS | OE REPLACEMENT ROTOR | CONTOUR ROTOR (see Tech Pages) | CUSTOM ROTOR |
| | | | | LEFT | RIGHT | | | | | | | |
| SH150i | 10-11 | FA323 | FA323HH | MD970D | | | 352 | | | | | |
| CM 200 T Twinstar | 80-82 | 312 | | | | | 310 | | | | | |
| CB 250 Nighthawk | 91-08 | 312 | | | | | 310 | | | | | |
| CBR 250 R | 11 | FA388 | FA388HH | | TBA | | FA140 | FA140HH | TBA | | | |
| CH 250 Elite | 85-86 | 330 | | | | | 341 | | | | | |
| CH 250 Elite | 87-90 | 330 | | | | | 350 | | | | | |
| CN 250 Helix | 86-87 | FA69 | FA69HH | MD908D | | | 350 | | | | | |
| CN 250 Helix | 92-93 | FA69/2 | | MD908D | | | 350 | | | | | |
| CN 250 Helix | 94-01/05-07 | FA142 | FA142HH | MD908D | | | 350 | | | | | |
| CM 250 C Custom | 82-83 | 312 | | | | | 310 | | | | | |
| CMX 250 C/CD Rebel | 85-87 | FA86 | FA86HH | | MD1030 | | 310 | | | | | |
| CMX 250 C Rebel | 96/97/99-11 | FA228 | FA228HH | MD1030 | | | 318 | | | | | |
| CMX 250 C2 | 99-00 | FA228 | | MD1030 | | | 318 | | | | | |
| CM 250 T | | FA45 | | MD1036LS | | | 313 | | | | | |
| CB 250 N/T | | FA45 | | MD1036LS | | | 313 | | | | | |
| NSS 250/250 A/VAS Reflex | 01-07 | FA281 | FA261HH | MD922D | | | FA358 | | MD1004 | | | |
| PS 250 Big Ruckus | 05-06 | FA388 | FA388HH | MD922D | | | 351 | | | | | |
| VTR 250 Interceptor | 88-89 | FA80/2 | | N/A | | | 309 | | | | | |
| VTR 250 Interceptor | 90 | FA124/2 | FA124/2HH | N/A | | | 309 | | | | | |
| CB 350 F/F1/G | | FA13 | | N/A | | | 315 | | | | | |
| CB 350 K2/K3/K4 | | 314 | | | | | 315 | | | | | |
| CB 360 | | 314 | | | | | 315 | | | | | |
| CB 360 G/T/T76 | 74-76 | FA13 | | N/A | | | 315 | | | | | |
| CJ 360 T/76/77 | 76-77 | 314 | | | | | 315 | | | | | |
| CB 400 F | 75-77 | FA13 | | N/A | | | 315 | | | | | |
| CB 400 A Hondamatic | 78 | FA45 | | N/A | | | 313 | | | | | |
| CB 400 T MKI Hawk | 78-79 | 314 | | | | | 313 | | | | | |
| CB 400 T MK II Hawk | 78-79 | FA45 | | N/A | | | 313 | | | | | |
| CB 400 T Hawk | 80-81 | FA45 | | MD1036LS | | | 313 | | | | | |
| CB-1 (CB400F) | 89-90 | FA142 | FA142HH | | MD1038RS | | FA140 | FA140HH | MD1020 | MD1020C | | |
| CM 400 A/T | 79-81 | FA45 | | MD1036LS | | | 313 | | | | | |
| CM 400 C Custom | 81 | FA69/2 | | MD1036LS | | | 313 | | | | | |
| CM 400 E | 80-81 | 314 | | | | | 313 | | | | | |
| CB 450 K3-K4 | 70-71 | FA12 | | N/A | | | 316 | | | | | |
| CB 450 K5-K7 | 72-74 | FA13 | | N/A | | | 316 | | | | | |
| CB 450 T Hawk | 82 | FA90 | | MD1036LS | | | 313 | | | | | |
| CB 450 SC Nighthawk | 82 | FA90 | | MD1036LS | | | 313 | | | | | |
| CB 450 SC Nighthawk | 83-86 | FA69 | FA69HH | MD1040LS | | | 313 | | | | | |
| CB 450 DX-K | 89-92 | FA122* | | N/A | N/A | | FA122 | | N/A | | | |
| CM 450 E | 82-83 | 314 | | | | | 313 | | | | | |
| CM 450 C Custom (to CM 001211) | 82 | FA69/2 | | MD1036LS | | | 313 | | | | | |
| CM 450 C Custom (from CM 001212) | 82 | FA90 | | MD1036LS | | | 313 | | | | | |
| CM 450 A Hondamatic | 82 | FA69/2 | | MD1036LS | | | 313 | | | | | |
| CM 450 A Hondamatic | 83 | FA90 | | MD1040LS | | | 313 | | | | | |
| CMX 450 C Rebel | 86-87 | FA69 | FA69HH | MD1041LS | | | 313 | | | | | |
| CB 500/K1/K2 | | FA13 | | N/A | | | 316 | | | | | |
| CB 500 T/76 | 75-76 | FA13 | | N/A | | | 316 | | | | | |
| CX 500 | 78-79 | FA29 | | N/A | | | 321 | | | | | |
| CX 500 C Custom | 79-81 | FA29 | | N/A | | | 321 | | | | | |
| CX 500 D Deluxe | 79-81 | FA29 | | N/A | | | 321 | | | | | |
| CX 500 C Custom | 82 | FA69 | FA69HH | N/A | | | 321 | | | | | |
| CX 500 TC Turbo | 82 | FA69* | FA69HH* | N/A | N/A | | FA69 | FA69HH | N/A | | | |
| FT 500 Ascot | 82-83 | FA69 | FA69HH | MD1131LS | | | FA69 | FA69HH | MD1048 | | | |
| GB 500 | 89-90 | FA69 | FA69HH | MD1001 | | | 340 | | | | | |
| GL 500 Silverwing | 81-82 | FA69 | FA69HH | N/A | | | 321 | | | | | |
| GL 500 I Silverwing Interstate | 81-82 | FA69/2* | | N/A | N/A | | 321 | | | | | |
| VT 500 C Shadow | 83-86 | FA69 | FA69HH | MD1047LS | | | 313 | | | | | |
| VT 500 FT Ascot | 83-84 | FA69 | FA69HH | MD1047LS | | | 313 | | | | | |

All part numbers, prefixes and suffixes shown in this catalog are unique and form a registered copyright as the property of EBC Brakes and its UK trademark owners

* symbol after part# = 2 pieces reqd.
i.e. 2 pad sets or 2 contour rotors

STREET BIKES

HONDA Contd.

| Year | FRONT | | | | | REAR | | | | | |
|---|------------|---------------|-----------------------|----------|------------------|-----------|------------|---------------|----------------|------------------|---------|
| | ORGANIC | SINTERED | OE REPLACEMENT ROTORS | | CONTOUR ROTOR | CUSTOM | ORGANIC | SINTERED | OE REPLACEMENT | CONTOUR ROTOR | CUSTOM |
| | PADS/SHOES | Double-H PADS | LEFT | RIGHT | (see Tech Pages) | ROTOR | PADS/SHOES | Double-H PADS | ROTOR | (see Tech Pages) | ROTOR |
| VF 500 C V30 Magna | 84-85 | FA69 | FA69HH | MD1047LS | | | 321 | | | | |
| VF 500 F Interceptor | 84-86 | FA69* | FA69HH* | MD1006 | MD1006 | MD1006C* | FA69 | | MD1006RS | | |
| CB 550 F | 75-77 | FA13 | | N/A | | | 316 | | | | |
| CB 550 K1/76 | 74-78 | FA13 | | N/A | | | 316 | | | | |
| CB 550 SC Nighthawk | 83 | FA69 | FA69HH | MD1047LS | | | 313 | | | | |
| 599 (CB 600 F) | 04/06 | FA226* | FA226HH* | MD1139 | MD1139 | MD1139C* | FA174 | FA174HH | MD1004 | MD1004C | |
| CBR 600 F Hurricane | 87-90 | FA121* | FA121HH* | MD1001 | MD1001 | | FA69/3 | FA69/3HH | MD1002 | | |
| CBR 600 F2 EBC floating rotor conversion 310mm | 91-94 | FA203* | FA203HH* | MD601LS± | MD601RS± | | FA174 | FA174HH | MD1004 | MD1004C | |
| CBR 600 F2 Solid rotor | 91-94 | FA203* | FA203HH* | MD1001 | MD1001 | | FA174 | FA174HH | MD1004 | MD1004C | |
| CBR 600 F3/SJR/SE | 95-98 | FA226* | FA226HH* | MD1003X | MD1003X | MD1003XC* | MD1003CC* | FA174 | FA174HH | MD1004 | MD1004C |
| CBR 600 F4 | 99-00 | | FA296HH* | MD1014X | MD1014X | MD1014XC* | MD1014CC* | FA174 | FA174HH | MD1004 | MD1004C |
| CBR 600 F4i Sport | 01-06 | | FA296HH* | MD1141X | MD1141X | MD1141XC* | MD1141CC* | FA174 | FA174HH | MD1004 | MD1004C |
| CBR 600 RR | 03-04 | | FA296HH* | MD1152X | MD1152X | MD1152XC* | MD1152CC* | FA174 | FA174HH | MD1004 | MD1004C |
| CBR 600 RR | 05-06 | | FA390HH* | MD1152X | MD1152X | MD1152XC* | MD1152CC* | FA174 | FA174HH | MD1004 | MD1004C |
| CBR 600 RR/RRA | 07-11 | | FA390HH* | MD1152X | MD1152X | MD1152XC* | MD1152CC* | FA436 | FA436HH | MD1004 | MD1004C |
| CBR 600 RA/RAA ABS Model | 09-11 | | FA390HH* | MD1171X | MD1171X | MD1171XC* | FA436 | FA436HH | MD1173 | MD1173C | |
| FSC 600/D Silverwing | | | | | | | | | | | |
| Non ABS Model (256mm front disc) | 02-06 | FA281 | FA261HH | MD1006 | | MD1006C | FA196 | FA196HH | MD1149 | | |
| FSC 600/D Silverwing Non ABS Model (256mm front disc) Parking brake | 02-06 | FA257/2 | | | | | | | | | |
| FSC 600 A Silverwing ABS Model (276mm front disc) | 03-11 | FA281 | FA261HH | MD1172LS | | | FA196 | FA196HH | MD1149 | | |
| FSC 600 A Silverwing ABS Model (276mm front disc) Parking brake | 03-10 | FA257/2 | | | | | | | | | |
| FSC 600 D Silverwing Non ABS Model (276mm front disc) | 07-10 | FA281 | FA261HH | MD1172LS | | | FA196 | FA196HH | MD1149 | | |
| FSC 600 D Silverwing Non ABS Model (276mm front disc) Parking brake | 07-10 | FA257/2 | | | | | | | | | |
| VLX 600 Shadow (VT 600 C/CD) | 88-93 | FA124/2 | FA124/2HH | MD1047LS | | | 321 | | | | |
| VT 600 C/CD/CD2 Shadow/Shadow Deluxe VLX | 94-07 | FA196 | FA196HH | MD1047LS | | | 321 | | | | |
| CB 650 | 79-81 | FA45 | | MD1036LS | | | 320 | | | | |
| CB 650 C Custom | 80 | FA45 | | MD1036LS | | | 320 | | | | |
| CB 650 C Custom | 81 | FA45* | | MD1036LS | MD1036RS | | 320 | | | | |
| CB 650 | 82 | FA69 | FA69HH | N/A | | | 320 | | | | |
| CB 650 SC Nighthawk | 82 | FA90* | | MD1036LS | MD1036RS | | 320 | | | | |
| CB 650 SC Nighthawk | 83-85 | FA69* | FA69HH* | MD1001 | MD1001 | | 321 | | | | |
| CX 650 C Custom | 83 | FA69 | FA69HH | MD1047LS | | | 321 | | | | |
| CX 650 Turbo | 83 | FA69* | FA69HH* | N/A | N/A | | FA69 | FA69HH | N/A | | |
| GL 650 Silverwing/GL 650 Silverwing Interstate | 83 | FA69* | FA69HH* | MD1040LS | MD1040RS | | 321 | | | | |
| NT 650 Hawk GT | 88-91 | FA142 | FA142HH | MD1021LS | | | FA140 | FA140HH | MD1022 | | |
| CB 700 SC/S Nighthawk | 84-86 | FA69* | FA69HH* | MD1001 | MD1001 | | 343 | | | | |
| NSA 700 A9 DN-01 | 09-11 | FA388* | FA388HH* | TBA | TBA | | FA196 | FA196HH | TBA | | |
| NSA 700 A9 DN-01 Parking Brake | 09-11 | FA257/2 | | | | | | | | | |
| NT 700 V/A (ABS) | 10-11 | | FA388HH* | MD1008 | MD1008 | | | FA261HH | MD1016 | | |
| VF 700 C Magna | 84 | FA69* | FA69HH* | MD1040LS | MD1040RS | | 321 | | | | |
| VF 700 C Magna | 85-86 | FA69* | FA69HH* | MD1040LS | MD1040RS | | 343 | | | | |
| VF 700 C Magna | 87 | FA69/3 | FA69/3HH | MD1059LS | | | 343 | | | | |
| VF 700 F Interceptor | 84 | FA69* | FA69HH* | MD1001 | MD1001 | | FA69/3 | FA69/3HH | MD1068 | | |
| VF 700 F Interceptor | 85 | FA69* | FA69HH* | MD1001 | MD1001 | | FA69/3 | FA69/3HH | MD1079 | | |
| VFR 700 F/F2 Interceptor | 86-87 | FA124* | FA124HH* | MD1001 | MD1001 | | FA69/3 | FA69/3HH | MD1006 | | |
| VF 700 S Sabre | 84-85 | FA69* | FA69HH* | MD1001 | MD1001 | | 321 | | | | |
| VT 700 C Shadow | 84-85 | FA90* | | MD1040LS | MD1040RS | | 321 | | | | |
| VT 700 C Shadow | 86-87 | FA69 | FA69HH | MD1047LS | | | 343 | | | | |
| CB 750 A Hondamatic | 76-78 | FA13 | | N/A | | | 320 | | | | |
| CB 750 C Custom | 80 | FA45 | | MD1052LS | | | 320 | | | | |
| CB 750 C Custom | 81 | FA45* | | MD1036LS | MD1036RS | | 320 | | | | |
| CB 750 C Custom | 82 | FA69/2* | | MD1036LS | MD1036RS | | 320 | | | | |
| CB 750 C (from frame CM 204182) | 82 | FA90* | | MD1036LS | MD1036RS | | 320 | | | | |
| CB 750 F Supersport | 75-76 | FA13 | | MD1062LS | | | FA32 | | MD1064 | | |

All part numbers, prefixes and suffixes shown in this catalog are unique and form a registered copyright as the property of EBC Brakes and its UK trademark owners

* symbol after part# = 2 pieces reqd. i.e. 2 pad sets or 2 contour rotors

STREET BIKES

HONDA Contd.

| Year | FRONT | | | | | REAR | | | | | | |
|---|--------------------|------------------------|-----------------------|----------|--------------------------------|--------------|--------------------|------------------------|----------------------|--------------------------------|--------------|--|
| | ORGANIC PADS/SHOES | SINTERED Double-H PADS | OE REPLACEMENT ROTORS | | CONTOUR ROTOR (see Tech Pages) | CUSTOM ROTOR | ORGANIC PADS/SHOES | SINTERED Double-H PADS | OE REPLACEMENT ROTOR | CONTOUR ROTOR (see Tech Pages) | CUSTOM ROTOR | |
| | | | LEFT | RIGHT | | | | | | | | |
| CB 750 F Supersport | 77-78 | FA31* | | N/A | N/A | | | FA31 | | MD1064 | | |
| CB 750 F Supersport | 79-80 | FA30* | | MD1036LS | MD1036RS | | | FA30 | | MD1071 | | |
| CB 750 F Supersport | 81-82 | FA69/2* | | MD1036LS | MD1036RS | | | FA69 | | MD1082 | | |
| CB 750 K1/K2/K3/K4/K5/76 | 70-76 | FA12 | | MD1062LS | | | | 320 | | | | |
| CB 750 K | 77-78 | FA13 | | MD1062LS | | | | 320 | | | | |
| CB 750 K | 79-82 | FA45 | | MD1052LS | | | | 320 | | | | |
| CB 750 L Limited Edition | 79 | FA45 | | MD1052LS | | | | 320 | | | | |
| CB 750 SC Nighthawk | 82-83 | FA69* | FA69HH* | MD1036LS | MD1036RS | | | 320 | | | | |
| CB 750 Nighthawk | 91-03 | FA196 | FA196HH | MD1021LS | | | | 321 | | | | |
| RVF 750 R (RC45) | 94-95 | FA187* | FA187HH* | MD1012LS | MD1012RS | | | FA143 | | MD1013 | | |
| VF 750 C V45 Magna | 82-83 | FA69* | FA69HH* | MD1040LS | MD1040RS | | | 321 | | | | |
| VF 750 C Magna/Magna Delux CD/C2 | 94-03 | FA196 | FA196HH | MD1021LS | | | | 343 | | | | |
| VF 750 C V45 Magna | 88 | FA69/3 | FA69/3HH | MD1059LS | | | | 343 | | | | |
| VF 750 F V45 Interceptor | 83-84 | FA69* | FA69HH* | MD1001 | MD1001 | | | FA69/3 | FA69/3HH | MD1068 | | |
| VFR 750 F Interceptor | 86 | FA124* | FA124HH* | MD1001 | MD1001 | | | FA69/3 | FA69/3HH | MD1006 | | |
| VFR 750 F | 90-93 | FA142* | FA142HH* | MD1008 | MD1008 | | | FA196 | FA196HH | MD1007 | | |
| VFR 750 F | 94-97 | FA142* | FA142HH* | MD1003X | MD1003X | MD1003XC* | MD1003CC* | FA196 | FA196HH | MD1007 | | |
| VFR 750 R (RC 30) | 90 | FA187* | FA187HH* | MD1010LS | MD1010RS | | | FA143 | | MD1011 | | |
| VF 750 S Sabre | 82-83 | FA69* | FA69HH* | MD1001 | MD1001 | | | 321 | | | | |
| VT 750 C Shadow | 83 | FA90* | | MD1040LS | MD1040RS | | | 321 | | | | |
| VT 750 C/CD/CD2 Shadow/Shadow Deluxe | 98-02 | FA196 | FA196HH | MD1159 | | | | 343 | | | | |
| VT 750 DC Shadow Spirit | 01-02 | FA196 | FA196HH | MD1159 | | | | 343 | | | | |
| VT 750 DCA/DCB Shadow Spirit | 03-07 | FA196 | FA196HH | MD1159 | | | | 343 | | | | |
| VT 750 C2/C2F Shadow Spirit | 07-11 | FA196 | FA196HH | | MD1159 | | | 343 | | | | |
| VT 750 CDA/CDB/CDC/CDD Shadow American Classic Edition 750 Deluxe | 02-03 | FA196 | FA196HH | MD1159 | | | | 343 | | | | |
| VT 750 Shadow Aero C/CA | 04-07 | FA196 | FA196HH | MD1159 | | | | 343 | | | | |
| VT 750 Shadow Aero | 08-11 | FA196 | FA196HH | | MD1159 | | | 343 | | | | |
| VT 750 Shadow Phantom | 10-11 | FA196 | FA196HH | | MD1159 | | | 343 | | | | |
| VT 750 RS Shadow | 10-11 | FA196 | FA196HH | MD1159 | | | | 343 | | | | |
| VFR 800 Fi Interceptor | 98-99 | | FA261HH* | MD1014X | MD1014X | MD1014XC* | MD1014CC* | | FA261HH | MD1165 | | |
| VFR 800 Interceptor | 00-05 | | FA261HH* | MD1014X | MD1014X | MD1014XC* | MD1014CC* | | FA261HH | MD1164 | | |
| VFR 800 A Interceptor ABS | 02-05 | | FA261HH* | MD1157X | MD1157X | MD1157XC* | | | FA261HH | MD1164 | | |
| VFR 800/A Interceptor ABS | 06-11 | FA388* | FA388HH* | MD1157X | MD1157X | MD1157XC* | | | FA261HH | MD1164 | | |
| VT 800 C Shadow | 88 | FA69 | FA69HH | MD1047LS | | | | 343 | | | | |
| PC 800 Pacific Coast | 89-90/94-98 | FA142* | FA142HH* | MD1001 | MD1001 | | | 343 | | | | |
| CB 900 C Custom | 80 | FA30* | | MD1036LS | MD1036RS | | | FA29 | | MD1071 | | |
| CB 900 C Custom | 81 | FA29* | | MD1036LS | MD1036RS | | | FA29 | | MD1071 | | |
| CB 900 C Custom | 82 | FA69/2* | | MD1036LS | MD1036RS | | | FA69 | | MD1082 | | |
| CB 900 F Supersport | 81-82 | FA69/2* | | MD1036LS | MD1036RS | | | FA69 | | MD1082 | | |
| CBR 900 RR Fireblade | 93-94 | FA187* | FA187HH* | MD1014X | MD1014X | MD1014XC* | MD1014CC* | FA174 | FA174HH | MD1004 | MD1004C | |
| CBR 900 RR Fireblade | 95-97 | FA187* | FA187HH* | MD1003X | MD1003X | MD1003XC* | MD1003CC* | FA174 | FA174HH | MD1004 | MD1004C | |
| CBR 900 RR Fireblade | 98-99 | | FA265HH* | MD1134X | MD1134X | MD1134XC* | MD1134CC* | FA174 | FA174HH | MD1004 | MD1004C | |
| 919 (CB 900 F) | 02-07 | FA187* | FA187HH* | MD1141X | MD1141X | MD1141XC* | MD1141CC* | FA174 | FA174HH | MD1020 | MD1020C | |
| CBR 929 RR (929cc model) | 00-01 | | FA265HH* | MD1137X | MD1137X | MD1137XC* | MD1137CC* | FA174 | FA174HH | MD1004 | MD1004C | |
| CBR 954 RR (954cc model) | 02-03 | | FA265HH* | MD1137X | MD1137X | MD1137XC* | MD1137CC* | FA174 | FA174HH | MD1004 | MD1004C | |
| CBX | 79 | FA31* | | MD1036LS | MD1036RS | | | FA31 | | MD1071 | | |
| CBX | 80 | FA30* | | MD1036LS | MD1036RS | | | FA29 | | MD1071 | | |
| CBX | 81-82 | FA69/2* | | N/A | N/A | | | FA69 | | MD1082 | | |
| CB 1000 C Custom | 83 | FA69* | FA69HH* | MD1040LS | MD1040RS | | | FA69 | FA69HH | MD1078 | | |
| CB 1000 | 94-95 | FA187* | FA187HH* | MD1056 | MD1056 | | | FA174 | FA174HH | MD1016 | | |
| CB 1000 R | 11 | | FA390HH* | MD1171X | MD1171X | MD1171XC* | | | FA488HH | MD1177 | | |
| CBF 1000 A8 (Canada) | 08 | | FA388HH* | MD1160 | MD1160 | | | | FA388HH | TBA | | |
| CBR 1000 F (Hurricane) | 87-88 | FA124* | FA124HH* | MD1008 | MD1008 | | | FA69/3 | FA69/3HH | MD1001 | | |
| CBR 1000 F | 90-91 | FA142* | FA142HH* | MD1008 | MD1008 | | | FA196 | FA196HH | MD1016 | | |
| CBR 1000 F | 93-99 | FA189* | FA189HH* | MD1008 | MD1008 | | | FA189 | FA189HH | MD1006 | | |
| CBR 1000 RR | 04-05 | | FA390HH* | MD1153X | MD1153X | MD1153XC* | MD1153CC* | FA174 | FA174HH | MD1004 | MD1004C | |
| CBR 1000 RR | 06-07 | | FA390HH* | MD1161X | MD1161X | MD1161XC* | MD1161CC* | FA436 | FA436HH | MD1004 | MD1004C | |

All part numbers, prefixes and suffixes shown in this catalog are unique and form a registered copyright as the property of EBC Brakes and its UK trademark owners

* symbol after part# = 2 pieces reqd. i.e. 2 pad sets or 2 contour rotors

PAD/SHOE/ROTOR Applications for NON JAPANESE STREET Bikes

BRAKE APPLICATIONS
STREET BIKES

HONDA Contd.

| Year | FRONT | | | | | REAR | | | | | | |
|--|------------|---------------|-----------------------|----------|------------------|-----------|------------|---------------|----------------|------------------|---------|--|
| | ORGANIC | SINTERED | OE REPLACEMENT ROTORS | | CONTOUR ROTOR | CUSTOM | ORGANIC | SINTERED | OE REPLACEMENT | CONTOUR ROTOR | CUSTOM | |
| | PADS/SHOES | Double-H PADS | LEFT | RIGHT | (see Tech Pages) | ROTOR | PADS/SHOES | Double-H PADS | ROTOR | (see Tech Pages) | ROTOR | |
| CBR 1000 RR/RAA | 08-11 | | FA390HH* | MD1171X | MD1171X | MD1171XC* | | FA436 | FA436HH | MD1004 | MD1004C | |
| CBR 1000 RA/RAA ABS Model | 09-11 | | FA390HH* | MD1171X | MD1171X | MD1171XC* | | FA436 | FA436HH | MD1004 | MD1004C | |
| GL 1000 K/76/L Goldwing (6 Bolt Fixing) | 75-77 | FA29* | | MD1074LS | MD1074RS | | | FA32 | | MD1064 | | |
| GL 1000 Goldwing | 78 | FA29* | | N/A | N/A | | | FA32 | | MD1064 | | |
| GL 1000 Goldwing (5 Bolt Fixing) | 79 | FA29* | | MD1036LS | MD1036RS | | | FA32 | | MD1064 | | |
| RVT 1000 R (RC51) | 00-06 | | FA265HH* | MD1138X | MD1138X | MD1138XC* | MD1138CC* | FA174 | FA174HH | MD1004 | MD1004C | |
| VF 1000 F Interceptor | 84 | FA69* | FA69HH* | MD1001 | MD1001 | | | FA69/3 | FA69/3HH | MD1079 | | |
| VF 1000 R | 85-86 | FA69* | FA69HH* | MD1146 | MD1146 | | | FA109 | | N/A | | |
| VTR 1000 F Super Hawk | 98-05 | FA187* | FA187HH* | MD1003X | MD1003X | MD1003XC* | MD1003CC* | FA174 | FA174HH | MD1004 | MD1004C | |
| CB 1100 F Supersport | 83 | FA69* | FA69HH* | MD1001 | MD1001 | | | FA69 | FA69HH | MD1068 | | |
| CBR 1100 XX Blackbird | 97-98 | | FA261HH* | MD1120 | MD1120 | | | | FA261HH | MD1006 | | |
| CBR 1100 XX Blackbird | 99-03 | | FA261HH* | MD1136 | MD1136 | MD1136C* | | | FA261HH | MD1006 | MD1006C | |
| GL 1100/1100 I Goldwing (5 Bolt Fixing) | 80 | FA30* | | MD1036LS | MD1036RS | | | FA29 | | MD1071 | | |
| GL 1100/1100 I Goldwing/Interstate (5 Bolt Fixing) | 81 | FA29* | | MD1036LS | MD1036RS | | | FA29 | | MD1071 | | |
| GL 1100/1100 I Goldwing/Interstate (5 Bolt Fixing) | 82 | FA69/2* | | MD1036LS | MD1036RS | | | FA69 | | MD1082 | | |
| GL 1100/1100 I Goldwing/Interstate (5 Bolt Fixing) | 83 | FA69* | FA69HH* | MD1036LS | MD1036RS | | | FA69 | FA69HH | MD1082 | | |
| GL 1100 A Goldwing Aspencade (5 Bolt Fixing) | 82-83 | FA69/2* | | MD1133 | MD1133 | | | FA69 | | MD1082 | | |
| ST 1100 | 91-02 | FA142* | FA142HH* | MD1021LS | MD1021RS | | | FA196 | FA196HH | MD1077 | | |
| ST 1100 A ABS Model | 95 | FA142* | FA142HH* | MD1021LS | MD1021RS | | | FA196 | FA196HH | MD1077 | | |
| ST 1100 A ABS Model | 96-02 | | FA261HH* | MD1008 | MD1008 | | | | FA261HH | MD1135 | | |
| VF 1100 C V65 Magna | 83-86 | FA69* | FA69HH* | MD1040LS | MD1040RS | | | FA69/3 | FA69/3HH | MD1078 | | |
| VF 1100 S V65 Sabre | 84-85 | FA69* | FA69HH* | MD1001 | MD1001 | | | FA69/3 | FA69/3HH | MD1079 | | |
| VT 1100 C Shadow | 85-86 | FA69* | FA69HH* | MD1040LS | MD1040RS | | | 343 | | | | |
| VT 1100 C Shadow | 87-94 | FA69/3 | FA69/3HH | | MD1080RS | | | 343 | | | | |
| VT 1100 C Shadow | 95-96 | FA196 | FA196HH | | MD1167RS | | | 343 | | | | |
| VT 1100 C Shadow Spirit | 97-07 | FA196 | FA196HH | | MD1167RS | | | 343 | | | | |
| VT 1100 C2 Shadow American Classic Edition | 95-99 | FA196 | FA196HH | MD1179 | | | | FA174 | FA174HH | MD1016 | | |
| VT 1100 C2 Shadow Sabre | 00-07 | FA196 | FA196HH | MD1179 | | | | FA174 | FA174HH | MD1016 | | |
| VT 1100 C2-2 Shadow 1100 American Classic Edition | 97 | FA196 | FA196HH | MD1179 | | | | FA174 | FA174HH | MD1016 | | |
| VT 1100 C3 Shadow Aero | 98-02 | FA196 | FA196HH | MD1179 | | | | FA174 | FA174HH | MD1016 | | |
| VT 1100 D2 Shadow American Classic Edition | 99 | FA196 | FA196HH | MD1179 | | | | FA174 | FA174HH | MD1016 | | |
| VT 1100 T Shadow American Classic Edition Tourer | 98-01 | FA196 | FA196HH | MD1179 | | | | FA174 | FA174HH | MD1016 | | |
| GL 1200/1200 V 1200 A (5mm rotor) Goldwing | 84-85 | FA69/3* | FA69/3HH* | MD1083LS | MD1083RS | | | FA69/3 | FA69/3HH | MD1082 | | |
| GL 1200 L (10mm rotor) Goldwing | 85 | FA69/3* | FA69/3HH* | MD1125 | MD1125 | | | FA69/3 | FA69/3HH | MD1082 | | |
| GL 1200 I Goldwing (5mm rotor) | 86-87 | FA69/3* | FA69/3HH* | MD1083LS | MD1083RS | | | FA69/3 | FA69/3HH | MD1082 | | |
| GL 1200 A/SEI Goldwing (10mm rotor) | 86-87 | FA69/3* | FA69/3HH* | MD1125 | MD1125 | | | FA69/3 | FA69/3HH | MD1082 | | |
| VFR 1200 FA (Manual Gearbox Model) | 10-11 | | FA499/4HH* | MD1176X | MD1176X | | | | FA488HH | MD1175 | | |
| VFR 1200 FDA (Automatic Transmission Model) | 10-11 | | FA499/4HH* | MD1176X | MD1176X | | | | FA488HH | MD1175 | | |
| ST 1300/ST 1300 A (ABS) | 02-07 | | FA261HH* | MD1154X | MD1154X | MD1154XC* | | | FA261HH | MD1163 | | |
| ST 1300/ST 1300 A (ABS) | 08-11 | | FA388HH* | MD1154X | MD1154X | MD1154XC* | | | FA261HH | MD1163 | | |
| VT 1300 CXA Fury (Non ABS Model) | 10-11 | FA196 | FA196HH | TBA | | | | FA174 | FA174HH | MD1159 | | |
| VT 1300 CXAA Fury (ABS Model) | 10-11 | | FA388HH | TBA | | | | | FA261HH | TBA | | |
| VT 1300 Sabre / Sabre ABS | 11 | FA196 | FA196HH | TBA | | | | FA174 | FA174HH | TBA | | |
| VT 1300 Staline / Staline ABS | 11 | FA196 | FA196HH | TBA | | | | FA174 | FA174HH | TBA | | |
| VT 1300 Interstate | 11 | FA196 | FA196HH | TBA | | | | FA174 | FA174HH | TBA | | |
| VTX 1300 S Retro | 03-07 | FA196 | FA196HH | | MD1158RS | | | FA174 | FA174HH | MD1159 | | |
| VTX 1300 C | 04-09 | FA196 | FA196HH | | MD1158RS | | | FA174 | FA174HH | MD1159 | | |
| VTX 1300 R | 05-09 | FA196 | FA196HH | | MD1158RS | | | FA174 | FA174HH | MD1159 | | |
| VTX 1300 T | 08-11 | FA196 | FA196HH | | MD1158RS | | | FA174 | FA174HH | MD1159 | | |
| GL 1500 Goldwing All models | 88-89 | FA124/2* | FA124/2HH* | MD1126 | MD1126 | | | FA69/3 | FA69/3HH | MD1127 | | |
| GL 1500/1500 SE/Al Goldwing | 90-00 | FA124/2* | FA124/2HH* | MD1126 | MD1126 | | | FA69/3 | FA69/3HH | MD1077 | | |
| GL 1500 C/CT Valkyrie/Valkyrie Tourer | 97-99 | FA142* | FA142HH* | MD1014X | MD1014X | MD1014XC* | MD1014CC* | FA196 | FA196HH | MD1077 | | |
| GL 1500 C/CT/CF/CD Valkyrie/Valkyrie Tourer /Valkyrie Interstate | 00-03 | FA142* | FA142HH* | MD1014X | MD1014X | MD1014XC* | MD1014CC* | FA196 | FA196HH | MD1148 | | |
| GL 1800/1800 A (ABS) Goldwing All models | 01-11 | | FA261HH* | MD1014X | MD1014X | MD1014XC* | MD1014CC* | | FA261/2HH | N/A | | |
| NRX 1800 Rune DA/DB/EA/EB | 04-05 | | FA261HH* | TBA | TBA | | | | FA261HH | TBA | | |
| VTX 1800 C/C1/C2/C3 | 02-08 | | FA261HH* | MD1141X | MD1141X | MD1141XC* | MD1141CC* | | FA261HH | MD1148 | | |
| VTX 1800 R (Cast Model) | 02-08 | | FA261HH* | MD1141X | MD1141X | MD1141XC* | MD1141CC* | | FA261HH | MD1148 | | |

All part numbers, prefixes and suffixes shown in this catalog are unique and form a registered copyright as the property of EBC Brakes and its UK trademark owners

* symbol after part# = 2 pieces reqd. i.e. 2 pad sets or 2 contour rotors

STREET BIKES

HONDA Contd.

| Year | FRONT | | | | | REAR | | | | | | |
|--|--------------------|------------------------|-----------------------|----------|--------------------------------|--------------|--------------------|------------------------|----------------------|--------------------------------|--------------|--|
| | ORGANIC PADS/SHOES | SINTERED Double-H PADS | OE REPLACEMENT ROTORS | | CONTOUR ROTOR (see Tech Pages) | CUSTOM ROTOR | ORGANIC PADS/SHOES | SINTERED Double-H PADS | OE REPLACEMENT ROTOR | CONTOUR ROTOR (see Tech Pages) | CUSTOM ROTOR | |
| | | | LEFT | RIGHT | | | | | | | | |
| VTX 1800 S (Spoke Model) | 02-07 | | FA261HH* | MD1141X | MD1141X | MD1141XC* | MD1141CC* | | FA261/2HH | MD1148 | | |
| VTX 1800 F1/F2/F3 | 05-11 | | FA261HH* | MD1141X | MD1141X | MD1141XC* | MD1141CC* | | FA261/2HH | MD1148 | | |
| VTX 1800 N1/N2/N3 | 04-11 | | FA261HH* | MD1141X | MD1141X | MD1141XC* | MD1141CC* | | FA261/2HH | MD1148 | | |
| VTX 1800 T1/T2 | 07-11 | | FA261HH* | MD1141X | MD1141X | MD1141XC* | MD1141CC* | | FA261/2HH | MD1148 | | |
| KAWASAKI | | | | | | | | | | | | |
| AR 50 A1 | 82 | FA83 | | MD4040LS | | | | 603 | | | | |
| AR 80 A1 | 82 | FA83 | | MD4040LS | | | | 603 | | | | |
| BN 125 A4-A8/A6F/A7F/A9F Eliminator | 01-09 | FA197 | FA197HH | | MD4137RS | | | 602 | | | | |
| EL 250 B2/B3 Eliminator | 88-89 | FA85 | FA85HH | | MD4002RS | | | 706 | | | | |
| EL 250 E1/E2/E3/E4 250HS | 91-95 | FA85 | FA85HH | | | | | 706 | | | | |
| EL 250 F2 EL252 | 97-99 | FA85 | FA85HH | | TBA | | | 706 | | | | |
| EX 250 E1/E2 Ninja | 86-87 | FA85 | FA85HH | MD4002LS | | | | FA85 | FA85HH | MD4032 | | |
| EX 250 F2-F4/F6-F19/D6F/D7F Ninja 250 | 88-07 | FA129 | FA129HH | | MD4041RS | | | FA141 | | MD4042 | | |
| EX 250 J8F/J9F/JAF/JBF (Ninja 250 R) | 08-11 | FA197 | FA197HH | | | MD4162C | | FA197 | FA197HH | | MD4163C | |
| EBC floating disc conversion For Ninja 250 R | | FA197 | FA197HH | | | MD4162XC | | FA197 | FA197HH | | MD4163C | |
| KH 250 A5 | 76 | 711 | | | | | | 708 | | | | |
| KZ 250 D1(LTD)/D2(CSR) | 80-81 | 605 | | | | | | 602 | | | | |
| KZ 250 L1 (CSR) | 82 | 605 | | | | | | 602 | | | | |
| KZ 250 W1 (LTD) | 83 | 605 | | | | | | 602 | | | | |
| S1-A/B/C (250cc) | 73-75 | 711 | | | | | | 708 | | | | |
| KZ 305 A1/A2 (CSR) | 81-82 | FA68 | FA68HH | MD4043LS | | | | 706 | | | | |
| KZ 305 B1 (CSR) | 82 | FA68 | FA68HH | MD4043LS | | | | 706 | | | | |
| KZ 305 B2/B3 (LTD) | 87-88 | FA68 | FA68HH | MD4043LS | | | | 706 | | | | |
| EX 305 B1 (GPz) | 83 | FA85 | FA85HH | MD4099 | | | | 706 | | | | |
| S2 (350cc) | 72-73 | 711 | | | | | | 708 | | | | |
| S2-A (350cc) | 72-73 | FA33 | | N/A | | | | 708 | | | | |
| S3/S3-A (400cc) | 74-75 | FA33 | | N/A | | | | 708 | | | | |
| KH 400 A3/A4/A5 | 76-78 | FA33 | | N/A | | | | 708 | | | | |
| KZ 440 A1/A2/A3 | 80-82 | FA73 | | MD4047LS | | | | 706 | | | | |
| KZ 440 A4 | 83 | FA68 | FA68HH | MD4047LS | | | | 706 | | | | |
| KZ 440 B1/B2 | 80-81 | 711 | | | | | | 706 | | | | |
| KZ 440 K1/D1/D2/D3/D4 (LTD) | 80-82 | FA73 | | MD4047LS | | | | 706 | | | | |
| KZ 440 D5 (LTD) | 83 | FA68 | FA68HH | MD4010LS | | | | 706 | | | | |
| KZ 440 G1 | 82 | FA68 | FA68HH | MD4010LS | | | | 706 | | | | |
| EN 450 A1-A6 (454 LTD) | 85-90 | FA85 | FA85HH | MD4006LS | | | | 709 | | | | |
| EX 500 A1-A7 Solid rotor | 87-93 | FA129 | FA129HH | MD4016 | | | | 706 | | | | |
| EX 500 A1-A7 EBC floating conversion | 87-93 | FA129 | FA129HH | MD714X | | | | 706 | | | | |
| EX 500 D1-D12/D6F/D7F/D8F/D9F Ninja 500 Solid rotor | 94-09 | FA129 | FA129HH | | MD4016 | | | FA67/3 | | MD4051 | | |
| EX 500 D1-D12/D6F/D7F/D8F/D9F Ninja 500 EBC floating conversion | 94-09 | FA129 | FA129HH | | MD714X | | | FA67/3 | | MD4051 | | |
| EN 500 A1-A6/B2 | 90-95 | FA85 | FA85HH | MD4006LS | | | | 709 | | | | |
| EN 500 C1-C10/C6F/C7F/C8F/C9F Vulcan | 96-09 | FA85 | FA85HH | MD4124LS | | | | 709 | | | | |
| HI 500 Mach III | 69-70 | N/A | | | | | | N/A | | | | |
| HI-A 500 S Mach III | 71 | N/A | | | | | | N/A | | | | |
| HI-B 500 Mach III | 72 | N/A | | | | | | N/A | | | | |
| HI-C 500 Mach III | 72 | N/A | | | | | | N/A | | | | |
| HI-D 500 | 73 | FA33 | | MD4052LS | | | | 710 | | | | |
| HI-E 500 | 74 | FA33 | | MD4052LS | | | | 710 | | | | |
| HI-F 500 | 75 | FA33 | | MD4052LS | | | | 710 | | | | |
| KH 500 A8 | 76 | FA33 | | MD4052LS | | | | 710 | | | | |
| KZ 550 A1 | 80 | FA73 | | MD4053LS | | | | 709 | | | | |
| KZ 550 A2/A3/A4 | 81-83 | FA68 | FA68HH | MD4006LS | | | | 709 | | | | |
| KZ 550 C1-C4 (LTD) | 80-83 | FA68 | FA68HH | MD4006LS | | | | 709 | | | | |
| KZ 550 D1 (GPz) | 81 | FA68* | FA68HH* | MD4010LS | MD4010RS | | | FA68 | FA68HH | MD4010 | | |
| KZ 550 F1 (Spectre) F2 (LTD) | 83-84 | FA68 | FA68HH | MD4006LS | | | | 709 | | | | |
| KZ 550 H1/H2 (GPz) | 82-83 | FA68* | FA68HH* | MD4099 | MD4099 | | | FA68 | FA68HH | MD4024 | | |

All part numbers, prefixes and suffixes shown in this catalog are unique and form a registered copyright as the property of EBC Brakes and its UK trademark owners

* symbol after part # = 2 pieces reqd.
i.e. 2 pad sets or 2 contour rotors

STREET BIKES

KAWASAKI Contd.

| Year | FRONT | | | | | REAR | | | | | |
|--|---------------|---------------|-----------------------|----------|------------------|-----------|------------|---------------|----------------|------------------|---------|
| | ORGANIC | SINTERED | OE REPLACEMENT ROTORS | | CONTOUR ROTOR | CUSTOM | ORGANIC | SINTERED | OE REPLACEMENT | CONTOUR ROTOR | CUSTOM |
| | PADS/SHOES | Double-H PADS | LEFT | RIGHT | (see Tech Pages) | ROTOR | PADS/SHOES | Double-H PADS | ROTOR | (see Tech Pages) | ROTOR |
| KZ 550 M1(LTD) | 83 | FA68 | FA68HH | MD4006LS | | | 709 | | | | |
| ZR 550 B1/B2/B3 Zephyr | 90-92 | FA129* | FA129HH* | MD4008 | MD4008 | MD4008C* | MD4008CC* | FA141 | | MD4009 | MD4009C |
| ZR 550 B4 Zephyr | 93 | FA129* | FA129HH* | MD4008 | MD4008 | MD4008C* | MD4008CC* | FA192 | FA192HH | MD4009 | MD4009C |
| ZX 550 A1/A2/A3 (GPz) | 84-86 | FA85* | FA85HH* | MD4002LS | MD4002RS | | | FA85 | FA85HH | MD4001 | |
| ZL 600 A1/A2 | 86-87 | FA85 | FA85HH | MD4016 | | | | 709 | | | |
| ZL 600 B2/B3 Eliminator | 96-97 | FA129 | FA129HH | | MD4008 | MD4008C | MD4008CC | 709 | | | |
| ZX 600 A1/A2/A3/B1 Ninja | 85-87 | FA85* | FA85HH* | MD4028LS | MD4028RS | | | FA85 | FA85HH | MD4015 | |
| ZX 600 C1-C9 Ninja 600 R | 88-96 | FA129* | FA129HH* | MD4026LS | MD4026RS | | | FA129 | FA129HH | MD4027 | |
| ZX 600 E1-E3 (ZX6) | 93-95 | FA158* | FA158HH* | MD4008 | MD4008 | MD4008C* | MD4008CC* | FA192 | FA192HH | MD4009 | MD4009C |
| ZX 600 E4-E3 (ZZR 600) | 96-05 | FA158* | FA158HH* | MD4153X | MD4153X | MD4153XC* | MD4153CC* | FA192 | FA192HH | MD4009 | MD4009C |
| ZX 600 D1-D4 (ZX6) | 90-93 | FA158* | FA158HH* | MD4141X | MD4141X | MD4141XC* | MD4141CC* | FA129 | FA129HH | MD4007 | MD4007C |
| ZX 6R (ZX 600 F1/F2/F3) | 95-97 | FA158* | FA158HH* | MD4008 | MD4008 | MD4008C* | MD4008CC* | FA192 | FA192HH | MD4023 | MD4023C |
| ZX 6R (ZX 600 G1/G2/J1/J2/J3) | 98-02 | FA188* | FA188HH* | MD4136X | MD4136X | MD4136XC* | MD4136CC* | FA192 | FA192HH | MD4138 | MD4138C |
| ZX6R (ZX 600 P7F/P8F/R9F/RAF/RBF) | 07-11 | | FA417/4HH* | | | MD4152XC* | MD4152CC* | FA192 | FA192HH | | MD4138C |
| ZX 6RR (ZX 600 K1/M1) 599cc | 03-04 | | FA369/4HH* | MD4151X | MD4151X | MD4151XC* | | FA192 | FA192HH | MD4138 | MD4138C |
| ZX 6RR (ZX 600 N1/N6F) 599cc | 05-06 | | FA369/4HH* | | | MD4152XC* | MD4152CC* | FA192 | FA192HH | MD4138 | MD4138C |
| ZZR 600 (ZX 600 J4) | 05 | FA188* | FA188HH* | MD4136X | MD4136X | MD4136XC* | MD4136CC* | FA192 | FA192HH | MD4138 | MD4138C |
| ZZR 600 J6F/J7F/J8F | 06-08 | FA188* | FA188HH* | MD4136X | MD4136X | MD4136XC* | MD4136CC* | FA192 | FA192HH | MD4138 | MD4138C |
| ZX 6R (ZX 636 A1) 636cc | 02 | FA188* | FA188HH* | MD4136X | MD4136X | MD4136XC* | MD4136CC* | FA192 | FA192HH | MD4138 | MD4138C |
| ZX 6R (ZX 636 B1/B2) 636cc | 03-04 | | FA369/4HH* | MD4151X | MD4151X | MD4151XC* | | FA192 | FA192HH | MD4138 | MD4138C |
| ZX 6R (ZX 636 C1/C6F) 636cc | 05-06 | | FA369/4HH* | | | MD4152XC* | MD4152CC* | FA192 | FA192HH | MD4138 | MD4138C |
| ER 650 C9F/CAF ER-6n | Left 09-10 | FA229 | FA229HH | | | MD4159XC | | FA192 | FA192HH | | MD4138C |
| | Right | FA231 | FA231HH | | | MD4159XC | | | | | |
| EX 650 Ninja 650 R | Left 06-11 | FA229 | FA229HH | | | MD4159XC | | FA192 | FA192HH | | MD4138C |
| (A6F/A7F/A8F/C9F/CAF/CBF) Ninja 650R | Right | FA231 | FA231HH | | | MD4159XC | | | | | |
| KZ 650 B1/B2/B2A/B3 | 77-79 | FA33 | | MD4052LS | | | | 709 | | | |
| KZ 650 C1/C2/C3 Custom use to F/No. 023100 | 77-79 | FA33 | | MD4059LS | MD4059RS | | | FA37 | | N/A | |
| KZ 650 C3 Custom use from F/No. 023101 | 79 | FA73 | | MD4059LS | MD4059RS | | | FA36 | | MD4062 | |
| KZ 650 D1/D1A SR Series | 78-79 | FA33* | | MD4059LS | MD4059RS | | | FA36 | | N/A | |
| KZ 650 D2 SR Series | 79 | FA73* | | MD4059LS | MD4059RS | | | FA36 | | MD4063 | |
| KZ 650 E1 (LTD) | 80 | FA73 | | MD4064LS | | | | 709 | | | |
| KZ 650 F1 | 80 | FA73 | | MD4064LS | | | | 709 | | | |
| KZ 650 H1/H2/H3 (CSR) | 81-83 | FA68 | FA68HH | MD4065LS | | | | 709 | | | |
| W 650 (E) 650 A2/A3/A4) | 00-02 | FA231 | FA231HH | | MD4008 | MD4008C | MD4008CC | 706 | | | |
| KZ 700 A1 | 84 | FA68* | FA68HH* | MD4010LS | MD4010RS | | | FA68 | FA68HH | MD4010 | |
| VN 700 A1 Vulcan | 85 | FA85* | FA85HH* | MD4010LS | MD4010RS | | | 709 | | | |
| ZN 700 A1/A2 (LTD) | 84-85 | FA85* | FA85HH* | MD4067LS | MD4067RS | | | FA85 | FA85HH | MD4068 | |
| H2/H2-A Mach IV (750-2T) | 72-73 | FA55 | FA55HH | MD4069LS | | | | 713 | | | |
| H2-B/H-C Mach IV (750-2T) | 74-75 | FA55 | FA55HH | MD4069LS | | | | 713 | | | |
| KZ 750 B1/B2/B3/B4 | 76-79 | FA33 | | MD4052LS | | | | FA37 | | N/A | |
| KZ 750 E1/E2/E3 | 80-82 | FA68* | FA68HH* | MD4010LS | MD4010RS | | | FA68 | FA68HH | MD4010 | |
| KZ 750 F1 (LTD) | 83 | FA68* | FA68HH* | MD4010LS | MD4010RS | | | FA68 | FA68HH | MD4010 | |
| KZ 750 G1 (LTD) | 80 | FA73 | | N/A | | | | 709 | | | |
| KZ 750 H1/H2/H3/H4 (LTD) | 80-83 | FA68* | FA68HH* | MD4010LS | MD4010RS | | | FA68 | FA68HH | MD4010 | |
| KZ 750 K1/K2 (LTD) | 83-84 | FA85 | FA85HH | MD4070LS | | | | 709 | | | |
| KZ 750 L3 | 83 | FA68* | FA68HH* | MD4010LS | MD4010RS | | | FA68 | FA68HH | MD4010 | |
| KZ 750 M1 (CSR) | 82 | FA68 | FA68HH | MD4066LS | | | | 709 | | | |
| KZ 750 N1/N2 Spectre | 82-83 | FA68* | FA68HH* | MD4010LS | MD4010RS | | | FA68 | FA68HH | MD4010 | |
| KZ 750 R1 (GPz) | 82 | FA68* | FA68HH* | MD4010LS | MD4010RS | | | FA68 | FA68HH | MD4010 | |
| VN 750 A2-A21/A6F Vulcan | 86-06 | FA85* | FA85HH* | MD4010LS | MD4010RS | | | 709 | | | |
| Z 750 (ZR 750 J1) | Left 04 | FA229 | FA229HH | MD4141X | | MD4141XC* | MD4141CC* | FA192 | FA192HH | MD4138 | MD4138C |
| | Right | FA231 | FA231HH | | MD4141X | | | | | | |
| Z 750 S (ZR 750 K1/K6F) | Left 05-06 | FA229 | FA229HH | MD4141X | | MD4141XC* | MD4141CC* | FA192 | FA192HH | MD4142 | MD4142C |
| | Right | FA231 | FA231HH | | MD4141X | | | | | | |
| ZR 750 C1/C2/C3 | 91-93 | FA129* | FA129HH* | MD4008 | MD4008 | MD4008C* | MD4008CC* | FA129 | FA129HH | MD4007 | MD4007C |
| ZR 750 F2 (ZR-7) | Left 00-01 | FA229 | FA229HH | MD4141X | | MD4141XC* | MD4141CC* | FA231 | FA231HH | MD4142 | MD4142C |
| | Right | FA231 | FA231HH | | MD4141X | | | | | | |

All part numbers, prefixes and suffixes shown in this catalog are unique and form a registered copyright as the property of EBC Brakes and its UK trademark owners

* symbol after part# = 2 pieces reqd. i.e. 2 pad sets or 2 contour rotors

STREET BIKES

KAWASAKI Contd.

| | Year | FRONT | | | | | REAR | | | | | |
|--|----------|--------------------|------------------------|-----------------------|----------|--------------------------------|--------------|--------------------|------------------------|----------------------|--------------------------------|--------------|
| | | ORGANIC PADS/SHOES | SINTERED Double-H PADS | OE REPLACEMENT ROTORS | | CONTOUR ROTOR (see Tech Pages) | CUSTOM ROTOR | ORGANIC PADS/SHOES | SINTERED Double-H PADS | OE REPLACEMENT ROTOR | CONTOUR ROTOR (see Tech Pages) | CUSTOM ROTOR |
| | | | | LEFT | RIGHT | | | | | | | |
| ZR7-S (ZR 750) H1-H5) | 01-05 | FA229 | FA229HH | MD4141X | | MD4141XC* | MD4141CC | FA231 | FA231HH | MD4142 | MD4142C | |
| | Left | | | | | | | | | | | |
| | Right | FA231 | FA231HH | | MD4141X | | MD4141CC | | | | | |
| ZX 750 A1/A2/A2L/A3 (GPz) | 83-85 | FA85* | FA85HH* | MD4028LS | MD4028RS | | | FA85 | FA85HH | MD4019 | | |
| ZX 750 E1/E2 Turbo | 84-85 | FA85* | FA85HH* | MD4016 | MD4016 | | | FA85 | FA85HH | MD4017 | | |
| ZX 750 F1/F2/F3/F4 Ninja | 87-90 | FA129* | FA129HH* | MD4071LS | MD4071RS | | | FA129 | FA129HH | MD4007 | MD4007C | |
| ZX 750 H1/H2 (ZX-7) | 89-90 | FA158* | FA158HH* | MD4012X | MD4012X | MD4012XC* | MD4012CC* | FA161 | FA161HH | MD4013 | MD4013C | |
| Ninja ZX-750 J1/J2/L1-L3 (ZX-7) | 91-95 | FA158* | FA158HH* | MD4022X | MD4022X | MD4022XC* | MD4022CC* | FA161 | FA161HH | MD4013 | MD4013C | |
| Ninja ZX 7R (ZX750 K1/K2/M1/M2) | 91-95 | FA158* | FA158HH* | MD4022X | MD4022X | MD4022XC* | MD4022CC* | FA161 | FA161HH | MD4013 | MD4013C | |
| Ninja ZX 7R (ZX 750 P1-P8) (Six piston pad) Tokico caliper | 96-03 | FA188* | FA188HH* | MD4022X | MD4022X | MD4022XC* | MD4022CC* | FA161 | FA161HH | MD4013 | MD4013C | |
| ZX 7RR (ZX 750 N1/N2) (Six piston pad) Nissin caliper | 96-99 | FA424* | FA424HH* | MD4022X | MD4022X | MD4022XC* | MD4022CC* | FA254 | FA254HH | MD4013 | MD4013C | |
| VN 800 A1-A11 Vulcan | 95-05 | FA85 | FA85HH | MD4124LS | | | | 709 | | | | |
| VN 800 B1-B10 Vulcan Classic | 96-05 | FA229 | FA229HH | MD4125LS | | | | 709 | | | | |
| VN 800 Drifter C1/C2/E1-E5/E6F | 99-06 | FA229 | FA229HH | MD4125LS | | | | FA231 | FA231HH | MD4148 | | |
| Z1/A/B 900 | 73-75 | FA55 | FA55HH | MD4069LS | | | | 713 | | | | |
| KZ 900 B1 LTD | 76 | FA33* | | MD4076LS | MD4076RS | | | FA37 | | MD4073 | | |
| KZ 900 A4/A5 | 76-77 | FA33 | | MD4052LS | | | | 713 | | | | |
| VN 900 Vulcan Classic LT (D6F/D7F/D8F/D9F/DAF/DBF) | 06-11 | FA229 | FA229HH | MD4158 | | | | FA231 | FA231HH | MD4085 | | |
| VN 900 B6F/B7F/B8F/B9F/BAF/BBFA Vulcan Classic | 06-11 | FA229 | FA229HH | MD4158 | | | | FA231 | FA231HH | MD4085 | | |
| VN 900 C7F/C8F/C9F/CAF/CBF (Cast Wheels) Vulcan Custom | 07-11 | FA229 | FA229HH | MD4158 | | | | FA231 | FA231HH | MD4085 | | |
| ZL 900 A1/A2 Eliminator | 85-86 | FA85* | FA85HH* | MD4016 | MD4016 | | | FA85 | FA85HH | MD4017 | | |
| ZX 900 A1/A2/A3 Ninja | 84-86 | FA85* | FA85HH* | MD4016 | MD4016 | | | FA85 | FA85HH | MD4017 | | |
| ZX-9R B1/B2 Ninja | 94-95 | FA158* | FA158HH* | MD4022X | MD4022X | MD4022XC* | MD4022CC* | FA192 | FA192HH | MD4013 | MD4013C | |
| ZX-9R B3/B4 Ninja | 96-97 | FA188* | FA188HH* | MD4022X | MD4022X | MD4022XC* | MD4022CC* | FA192 | FA192HH | MD4013 | MD4013C | |
| ZX-9R (ZX 900 C1/C2) | 98-99 | FA188* | FA188HH* | MD4136X | MD4136X | MD4136XC* | MD4136CC* | FA192 | FA192HH | MD4138 | MD4138C | |
| ZX9R (ZX 900 E1/E2) | 00-01 | FA188* | FA188HH* | MD4012X | MD4012X | MD4012XC* | MD4012CC* | FA192 | FA192HH | MD4138 | MD4138C | |
| ZX9R (ZX 900 F1/F2) | 02-03 | | FA347HH* | MD4022X | MD4022X | MD4022XC* | MD4022CC* | FA192 | FA192HH | MD4138 | MD4138C | |
| KZ 1000 A1/A2/A2A | 77-78 | FA33 | | MD4052LS | | | | FA36 | | MD4077 | | |
| KZ 1000 A3/A3A/A4 | 79-80 | FA73* | | MD4064LS | MD4064RS | | | FA36 | | MD4077 | | |
| KZ 1000 B1/B2 (LTD) | 77-78 | FA33* | | MD4076LS | MD4076RS | | | FA37 | | N/A | | |
| KZ 1000 B3/B4 (LTD) | 79-80 | FA73* | | MD4064LS | MD4064RS | | | FA36 | | MD4063 | | |
| KZ 1000 C1/C1A Police series | 78 | FA33* | | MD4076LS | MD4076RS | | | FA36 | | MD4077 | | |
| KZ 1000 C2/C3/C4 | 79-81 | FA73* | | MD4064LS | MD4064RS | | | FA36 | | MD4077 | | |
| KZ 1000 D1 (Z1-R series) | 78 | FA33* | | MD4076LS | MD4076RS | | | FA36 | | MD4077 | | |
| KZ 1000 D3 (Z1-R series) | 80 | FA73* | | MD4076LS | MD4076RS | | | FA36 | | MD4077 | | |
| KZ 1000 E1/E2 ST & Shaft | 79-80 | FA62* | | MD4078LS | MD4078RS | | | FA36 | | MD4090 | | |
| KZ 1000 G1 Classic | 80 | FA73* | | MD4064LS | MD4064RS | | | FA36 | | MD4063 | | |
| KZ 1000 J1/J2 | 81-82 | FA68* | FA68HH* | MD4006LS | MD4006RS | | | FA68 | FA68HH | MD4054 | | |
| KZ 1000 J3 | 83 | FA68* | FA68HH* | MD4038 | MD4038 | | | FA68 | FA68HH | MD4054 | | |
| KZ 1000 K1/K2 (LTD) | 81-82 | FA68* | FA68HH* | MD4006LS | MD4006RS | | | FA68 | FA68HH | MD4054 | | |
| KZ 1000 M1/M2 (CSR) | 81-82 | FA68* | FA68HH* | MD4080LS | MD4080RS | | | FA68 | FA68HH | MD4054 | | |
| KZ 1000 P1-P20 (Police) | 82-01 | FA68* | FA68HH* | MD4091LS | MD4091RS | | | FA68 | FA68HH | MD4054 | | |
| KZ 1000 P21/P22/P24 (Police) | 02-03/05 | FA229 | FA229HH | MD4091 | | | | FA68 | FA68HH | MD4054 | | |
| | Left | | | | | | | | | | | |
| | Right | FA231 | FA231HH | | MD4091 | | | | | | | |
| KZ 1000 R1/R2 (Replica) | 82-83 | FA68* | FA68HH* | MD4038 | MD4038 | | | FA68 | FA68HH | MD4054 | | |
| Z 1000 (ZR 1000 A1/A2/A3) | 03-05 | | FA347HH* | MD4154X | MD4154X | MD4154XC* | MD4154CC* | FA192 | FA192HH | MD4138 | MD4138C | |
| Z 1000 (ZR 1000 A6F) | 06 | | FA347HH* | MD4154X | MD4154X | MD4154XC* | MD4154CC* | FA192 | FA192HH | MD4138 | MD4138C | |
| Z 1000 (ZR 1000 B7F/B8F) | 07-08 | | FA417/4HH* | | | MD4152XC* | MD4152CC* | FA174 | FA174HH | | MD4157C | |
| Z 1000 (ZR 1000 C7F) | 07 | | FA417/4HH* | | | MD4152XC* | MD4152CC* | FA174 | FA174HH | | MD4157C | |
| Z 1000 (ZR1000DAF/DBF) | 10-11 | | FA379HH* | | | TBA* | | FA192 | FA192HH | | MD4157C | |
| 1000 Ninja (ZX1000 GBF) | 11 | | FA379HH* | | | TBA* | | FA192 | FA192HH | | TBA | |
| ZG 1000 A1-A5/A7-A8 Con Cours | 86-93 | FA85* | FA85HH* | MD4028LS | MD4028RS | | | FA85 | FA85HH | MD4082 | | |
| ZG 1000 A9-A20 Con Cours | 94-05 | FA129* | FA129HH* | MD4008 | MD4008 | MD4008C* | MD4008CC* | FA85 | FA85HH | MD4082 | | |
| ZG 1000 A6F Concours | 06 | FA129* | FA129HH* | MD4008 | MD4008 | | | FA85 | FA85HH | MD4082 | | |
| ZL 1000 A1 | 87 | FA85* | FA85HH* | MD4016 | MD4016 | | | FA85 | FA85HH | MD4017 | | |
| ZX 1000 A1/A2 (Ninja) | 86-87 | FA85* | FA85HH* | MD4016 | MD4016 | | | FA85 | FA85HH | MD4019 | | |
| ZX 1000 B1/B2/B3 Ninja ZX10 | 88-90 | FA129* | FA129HH* | MD4021 | MD4021 | | | FA129 | FA129HH | MD4015 | | |
| ZX 10 R (ZX 1000 C1/C2/D6F/D7F) | 04-07 | | FA369/4HH* | | | MD4152XC* | MD4152CC* | FA192 | FA192HH | | MD4138C | |
| ZX 10 R (ZX 1000 E8F/E9F/FAF) | 08-10 | | FA379HH* | | | MD4161XC* | | FA192 | FA192HH | | MD4138C | |

All part numbers, prefixes and suffixes shown in this catalog are unique and form a registered copyright as the property of EBC Brakes and its UK trademark owners

* symbol after part# = 2 pieces reqd. i.e. 2 pad sets or 2 contour rotors

STREET BIKES

KAWASAKI Contd.

| Year | FRONT | | | | | REAR | | | | | | |
|--|------------|---------------|-----------------------|----------|------------------|-----------|------------|---------------|----------------|------------------|---------|--|
| | ORGANIC | SINTERED | OE REPLACEMENT ROTORS | | CONTOUR ROTOR | CUSTOM | ORGANIC | SINTERED | OE REPLACEMENT | CONTOUR ROTOR | CUSTOM | |
| | PADS/SHOES | Double-H PADS | LEFT | RIGHT | (see Tech Pages) | ROTOR | PADS/SHOES | Double-H PADS | ROTOR | (see Tech Pages) | ROTOR | |
| ZX 10 R (ZX 1000 JBF) | 11 | | FA379HH* | | | MD4161XC* | | FA436 | FA436HH | | MD4138C | |
| KZ 1100 A1/A2/A3 | 81-83 | FA68* | FA68HH* | MD4006LS | MD4006RS | | | FA68 | FA68HH | MD4054 | | |
| KZ 1100 B1 (GPz) | 81 | FA68* | FA68HH* | MD4006LS | MD4006RS | | | FA68 | FA68HH | MD4054 | | |
| KZ 1100 B2 (GPz) | 82 | FA68* | FA68HH* | MD4038 | MD4038 | | | FA68 | FA68HH | MD4054 | | |
| KZ 1100 D1/D2 (Spectre) | 82-83 | FA68* | FA68HH* | MD4006LS | MD4006RS | | | FA68 | FA68HH | MD4054 | | |
| KZ 1100 L1 (LTD) | 83 | FA68* | FA68HH* | MD4006LS | MD4006RS | | | FA68 | FA68HH | MD4054 | | |
| ZN 1100 B1/B2 (LTD) | 84-85 | FA85* | FA85HH* | MD4084 | MD4084 | | | FA85 | FA85HH | MD4085 | | |
| ZR 1100 A1/A2/A3/A4 Zephyr | 92-95 | FA158* | FA158HH* | MD4012X | MD4012X | MD4012XC* | MD4012CC* | FA129 | FA129HH | MD4027 | | |
| ZR 1100 B1 Zephyr | 96 | FA229 | FA229HH | MD4012X | | MD4012XC | MD4012CC | FA129 | FA129HH | MD4027 | | |
| | Left | | | | | | | | | | | |
| | Right | FA231 | FA231HH | | MD4012X | MD4012XC | MD4012CC | | | | | |
| ZX 1100 A1/A2 (GPz) | 83-84 | FA85* | FA85HH* | MD4016 | MD4016 | | | FA85 | | MD4017 | | |
| ZX 1100 C1/C2/C3/C4 (ZX11) Ninja | 90-93 | FA158* | FA158HH* | MD4012X | MD4012X | MD4012XC* | MD4012CC* | FA129 | FA129HH | MD4015 | MD4015C | |
| ZX 1100 D1-D9 (ZX-11) Ninja | 93-01 | FA158* | FA158HH* | MD4022X | MD4022X | MD4022XC* | MD4022CC* | FA161 | FA161HH | MD4014 | | |
| GPz 1100 (ZX 1100 E1/E2/E3) | 95-97 | FA229 | FA229HH | MD4008 | | MD4008C | MD4008CC | FA192 | FA192HH | MD4130 | | |
| | Left | | | | | | | | | | | |
| | Right | FA231 | FA231HH | | MD4008 | MD4008C | MD4008CC | | | | | |
| GPz 1100 ABS Models (ZX 1100 F1) | 96-97 | FA229 | FA229HH | MD4008 | | | | FA192 | FA192HH | MD4130 | | |
| | Left | | | | | | | | | | | |
| | Right | FA231 | FA231HH | | MD4132RS | | | | | | | |
| (ZR 1100 C3/C4) ZRX 1100 | 99-00 | FA188* | FA188HH* | MD4012X | MD4012X | MD4012XC* | MD4012CC* | FA161 | FA161HH | MD4133 | MD4133C | |
| ZG 1200 A1/A2/B1-B4/B6-B17 (Voyager XII) | 86-03 | FA85* | FA85HH* | MD4087 | MD4087 | | | FA85 | FA85HH | MD4088 | | |
| ZRX 1200 R (ZR 1200 A1-A5) | 01-05 | FA188* | FA188HH* | MD4012X | MD4012X | MD4012XC* | MD4012CC* | FA161 | FA161HH | MD4133 | MD4133C | |
| ZX 12 R (ZX 1200 A1/A2/B1/B2) | 00-03 | FA188* | FA188HH* | MD4022X | MD4022X | MD4022XC* | MD4022CC* | FA161 | FA161HH | MD4023 | MD4023C | |
| ZX-12R (ZX 1200 B3/B4) | 04-05 | | FA369/4HH* | MD4154X | MD4154X | MD4154XC* | MD4154CC* | FA161 | FA161HH | MD4023 | MD4023C | |
| ZZR 1200 (ZX 1200 C1/C2/C3/C4) | 02-05 | FA158* | FA158HH* | MD4022X | MD4022X | MD4022XC* | MD4022CC* | FA161 | FA161HH | MD4133 | MD4133C | |
| KZ 1300 A1/A2/A3/A4 | 79-82 | FA62* | | MD4089LS | MD4089RS | | | FA36 | | MD4090 | | |
| KZ 1300 B2 (Touring) | 80 | FA62* | | MD4089LS | MD4089RS | | | FA36 | | MD4090 | | |
| ZN 1300 A1-A6 (Voyager) | 83-88 | FA85* | FA85HH* | MD4091 | MD4091 | | | FA85 | FA85HH | MD4092 | | |
| Concours 14 (ZG 1400 A8F/A9F/CAF/CBF) ABS | 08-11 | | FA417/4HH* | | | MD4155XC* | MD4155CC* | FA254 | FA254HH | | MD4160C | |
| Concours 14 (ZG 1400 B8F/B9F/DAF) | 08-11 | | FA417/4HH* | | | MD4155XC* | MD4155CC* | FA254 | FA254HH | | MD4160C | |
| ZX 14 Ninja (ZX 1400 A6F/A7F/C8F/C9F/CAF/CBF) | 06-11 | | FA417/4HH* | | | MD4155XC* | MD4155CC* | FA254 | FA254HH | | MD4157C | |
| VN 1500 A1-A12 Vulcan 88 | 87-98 | FA85 | FA85HH | MD4124LS | | | | FA85 | FA85HH | MD4054 | | |
| VN 1500 B1/B2/B3/B4 Vulcan 88 SE | 87-90 | FA85 | FA85HH | MD4094LS | | | | FA85 | FA85HH | MD4054 | | |
| VN 1500 C3/C4 | 96-97 | FA85 | FA85HH | MD4124LS | | | | FA85 | FA85HH | MD4128 | | |
| VN 1500 D1/D2/E1/E2/E3 Vulcan Classic | 96-00 | FA229 | FA229HH | MD4125LS | | | | FA85 | FA85HH | MD4128 | | |
| VN 1500 E4-E7 Vulcan Classic | 01-04 | FA229 | FA229HH | MD4125LS | | | | FA231 | FA231HH | MD4148 | | |
| VN 1500 G1/G1A/G2A Nomad | 99-00 | FA229 | FA229HH | MD4150 | | | | FA85 | FA85HH | MD4147 | | |
| | Left | | | | | | | | | | | |
| | Right | FA231 | FA231HH | | MD4150 | | | | | | | |
| VN 1500 G3 Nomad | 01 | FA229 | FA229HH | MD4150 | | | | FA231 | FA231HH | MD4147 | | |
| | Left | | | | | | | | | | | |
| | Right | FA231 | FA231HH | | MD4150 | | | | | | | |
| VN 1500 Drifter J1/J2/R1-R5 | 99-05 | FA229 | FA229HH | MD4125LS | | | | FA231 | FA231HH | MD4148 | | |
| VN 1500 N1-N3 Vulcan 1500 Classic Fi | 00-02 | FA229 | FA229HH | MD4125LS | | | | FA231 | FA231HH | MD4148 | | |
| VN 1500 N4/N6F/N7F/N7FA/N8F/N8FA Vulcan 1500 Classic | 05-08 | FA229 | FA229HH | MD4125LS | | | | FA231 | FA231HH | MD4148 | | |
| VN 1500 L2-L6 Vulcan 1500 Nomad F1 | 01-05 | FA229 | FA229HH | MD4150 | | | | FA231 | FA231HH | MD4147 | | |
| | Left | | | | | | | | | | | |
| | Right | FA231 | FA231HH | | MD4150 | | | | | | | |
| VN 1500 P1/P2 Vulcan Mean Streak | 02-03 | FA188* | FA188HH* | MD4022X | MD4022X | MD4022XC* | MD4022CC* | FA231 | FA231HH | MD4146 | | |
| VN 1600 A1/A2/A3/A6F/A7F/A7FA/A8F | 03-08 | FA229 | FA229HH | MD4158 | | | | FA231 | FA231HH | MD4146 | | |
| /A8FA Vulcan Classic | | FA231 | FA231HH | | MD4158 | | | | | | | |
| VN 1600 B1 Mean Streak | 04 | FA188* | FA188HH* | MD4022X | MD4022X | MD4022XC* | MD4022CC* | FA231 | FA231HH | MD4146 | | |
| VN 1600 B2/B6F/B7F/B7FA/B8F/B8FA Mean Streak | 05-08 | | FA369/4HH* | MD4022X | MD4022X | MD4022XC* | MD4022CC* | FA231 | FA231HH | MD4146 | | |
| VN 1600 D1/D6F/D7F/D7FA/D8F | 05-08 | FA229 | FA229HH | MD4158 | | | | FA231 | FA231HH | MD4146 | | |
| /D8FA Nomad | | FA231 | FA231HH | | MD4158 | | | | | | | |
| VN 1700 A9FA/AAF/ABF Vulcan 1700 Voyager | 09-11 | FA158* | FA158HH* | MD4158 | MD4158 | | | FA231 | FA231HH | TBA | | |
| VN 1700 B9FA/BAF/BBF Vulcan 1700 Voyager ABS | 09-11 | FA158* | FA158HH* | MD4158 | MD4158 | | | FA231 | FA231HH | TBA | | |
| VN 1700 C9F/CAF/CBF Vulcan | 09-11 | FA229 | FA229HH | MD4158 | | | | FA231 | FA231HH | TBA | | |
| 1700 Nomad | | FA231 | FA231HH | | MD4158 | | | | | | | |
| VN 1700 C9FA Vulcan 1700 Nomad 2T | 09 | FA229 | FA229HH | MD4158 | | | | FA231 | FA231HH | TBA | | |
| | Left | | | | | | | | | | | |
| | Right | FA231 | FA231HH | | MD4158 | | | | | | | |
| VN 1700 E9F/EA/EBF Vulcan 1700 Classic | 09-11 | FA229 | FA229HH | MD4158 | | | | FA231 | FA231HH | TBA | | |
| | Left | | | | | | | | | | | |
| | Right | FA231 | FA231HH | | MD4158 | | | | | | | |

All part numbers, prefixes and suffixes shown in this catalog are unique and form a registered copyright as the property of EBC Brakes and its UK trademark owners

* symbol after part# = 2 pieces reqd. i.e. 2 pad sets or 2 contour rotors

PAD/SHOE/ROTOR Applications for NON JAPANESE STREET Bikes

BRAKE APPLICATIONS

STREET BIKES

KAWASAKI Contd.

| Year | FRONT | | | | | REAR | | | | | |
|---|--------------------|------------------------|-----------------------|----------|--------------------------------|--------------|--------------------|------------------------|----------------------|--------------------------------|--------------|
| | ORGANIC PADS/SHOES | SINTERED Double-H PADS | OE REPLACEMENT ROTORS | | CONTOUR ROTOR (see Tech Pages) | CUSTOM ROTOR | ORGANIC PADS/SHOES | SINTERED Double-H PADS | OE REPLACEMENT ROTOR | CONTOUR ROTOR (see Tech Pages) | CUSTOM ROTOR |
| VN 1700 G9F/GAF Vulcan 1700 Classic LT | Left | 09-11 | FA229 | FA229HH | MD4158 | | | | | | |
| | Right | | FA231 | FA231HH | | MD4158 | | | | | |
| VN 1700 JBF/JBFA Voyager Vaquero | Left | 11 | FA229 | FA229HH | TBA | | | | | | |
| | Right | | FA231 | FA231HH | | TBA | | | | | |
| VN 2000 D1/D6F Vulcan Ltd | | 05-06 | FA158* | FA158HH* | MD4158 | MD4158 | | | | | |
| VN 2000 A1/A2/A6F/A7F/G8F/G9F Vulcan | | 04-09 | FA158* | FA158HH* | MD4158 | MD4158 | | | | | |
| VN 2000 E6F/E7F/H8F/H9F Vulcan Classic | | 06-09 | FA158* | FA158HH* | MD4158 | MD4158 | | | | | |
| VN 2000 F6F/F7F/J8F/J9F/JAF Vulcan Classic LT | | 06-10 | FA158* | FA158HH* | MD4158 | MD4158 | | | | | |

SUZUKI

| | | | | | | | | | | | | |
|-------------------------------------|-------|-------|--------|----------|----------|----------|-----------|-----------|------|--------|----------|---------|
| FA 50 T/X/MX/Z/D/E/F/G/H/J/K/L/M | | 80-91 | 614 | | | | | | | | | |
| FS 50 T/X | | 80-81 | 614 | | | | | | | | | |
| FZ 50 N/T/X/Z/D | | 79-83 | 601 | | | | | | | | | |
| GSXR 50 (RB 50 H) | | 87 | FA67 | FA67HH | MD3010LS | | | | | | | |
| OR 50 T | | 80 | 604 | | | | | | | | | |
| GN 125 Z/D | | 82-83 | 602 | | | | | | | | | |
| GN 125 EM/EN/EP/ER/ES/ET | | 91-96 | FA67 | FA67HH | N/A | | | | | | | |
| GS 250 TT/TX | | 80-81 | FA51 | | MD3014LS | | | | | | | |
| GN 250 Z/D/F | | 82-85 | N/A | | | | | | | | | |
| GN 250 J | | 88 | FA51 | | MD3014LS | | | | | | | |
| GZ 250 X/Y/K1-K9/L0 Marauder | | 99-10 | FA106 | | N/A | | | | | | | |
| TU 250 XK9/L1 | | 09-11 | FA106 | | N/A | | | | | | | |
| GS 300 LZ/LD | | 82-83 | N/A | | | | | | | | | |
| GS 300 LF | | 85 | 612 | | | | | | | | | |
| AN 400 K3/K4/K5/K6/SK6 Burgman | | 03-06 | FA283* | FA283HH* | MD994D | | | | | | | |
| AN 400 K7/K8/K9/AK9/AL1 Burgman | Left | 07-11 | FA228 | FA228HH | MD994D | | | | | | | |
| | Right | | FA197 | FA197HH | | MD994D | | | | | | |
| GSF 400 M/N/P Bandit | | 91-93 | FA129 | FA129HH | MD3006X | | MD3006XC | MD3006CC | FA63 | FA63HH | MD3002 | MD3002C |
| GN 400 T/X/TX/TZ | | 80-82 | FA51 | | MD3014LS | | | | 606 | | | |
| GS 450 ET/ST/EX/SX/EZ/ED | | 80-83 | FA51 | | MD3014LS | | | | 606 | | | |
| GS 450 GAZ/GAD/GAF | | 82-85 | FA51 | | MD3014LS | | | | 606 | | | |
| GS 450 LT/LX/LZ/LD/LF/LG/LH/LJ | | 80-88 | FA51 | | MD3014LS | | | | 606 | | | |
| GS 450 TX/TZ | | 81-82 | FA51 | | MD3014LS | | | | 606 | | | |
| GS 450 TXZ | | 82 | FA51 | | MD3014LS | | | | 609 | | | |
| GS 450 TXD | | 83 | 612 | | | | | | 606 | | | |
| GS 500 EK/EL/EM/EN/EP/ER/ES | | 89-95 | FA129 | FA129HH | | MD3006X | MD3006XC | MD3006CC | FA63 | FA63HH | MD3002 | MD3002C |
| GS 500 ET/EV/EW/EX/EY/K1-K3 | | 96-03 | FA231 | FA231HH | | MD3006X | MD3006XC | MD3006CC | FA63 | FA63HH | MD3002 | MD3002C |
| GS 500 FK4/FK5/FK6/FK7/FK8/FK9 | | 04-10 | FA231 | FA231HH | | MD3006X | MD3006XC | MD3006CC | FA63 | FA63HH | MD3002 | MD3002C |
| GS 550 B | | 77 | FA38 | | MD3019LS | | | | 611 | | | |
| GS 550 C/N/EC/EN | | 77-79 | FA38 | | MD3020LS | | | | FA36 | | MD3014RS | |
| GS 550 ET | | 80 | FA65 | | MD3014LS | | | | FA36 | | MD3014RS | |
| GS 550 MZ | | 82 | FA65* | | MD3014LS | MD3014RS | | | FA36 | | MD3014RS | |
| GS 550 LT | | 80 | FA65 | | MD3020LS | | | | FA36 | | MD3014RS | |
| GS 550 LX | | 81 | FA65 | | MD3022LS | | | | FA36 | | MD3014RS | |
| GS 550 LZ | | 82 | FA65 | | MD3022LS | | | | 611 | | | |
| GS 550 LD/LF/LG | | 83-86 | FA63 | FA63HH | MD3014LS | | | | 606 | | | |
| GS 550 TX | | 81 | FA65 | | MD3022LS | | | | FA36 | | MD3014RS | |
| GS 550 ED/ESD/ES3/ES/EF/ESF/ESG | | 83-86 | FA63* | FA63HH* | MD3024LS | MD3024RS | | | FA63 | FA63HH | MD3025 | |
| GSF 600 Bandit ST/SV/SW | | 96-98 | FA142 | FA142HH | MD3003X | MD3003X | MD3003XC* | MD3003CC* | FA63 | FA63HH | MD3008 | MD3008C |
| GSF 600 SY/SK1/SK2/SK3 Bandit | Left | 00-03 | FA229 | FA229HH | MD3003X | | MD3003XC | MD3003CC | FA63 | FA63HH | MD3008 | MD3008C |
| | Right | | FA231 | FA231HH | | MD3003X | MD3003XC | MD3003CC | | | | |
| GSX 600 FJ Katana | | 88 | FA146* | FA146HH* | MD3001LS | MD3001RS | | | FA63 | FA63HH | MD3002 | MD3002C |
| GSX 600 FK/FL/FM/FN/FP/FR/FT Katana | | 89-97 | FA146* | FA146HH* | MD3003X | MD3003X | MD3003XC* | MD3003CC* | FA63 | FA63HH | MD3002 | MD3002C |
| GSX 600 FW/FX/FY/FK1/FK2 Katana | Left | 98-02 | FA229 | FA229HH | MD3003X | | MD3003XC* | MD3003CC* | FA63 | FA63HH | MD3008 | MD3008C |
| | Right | | FA231 | FA231HH | | MD3003X | MD3003XC* | MD3003CC* | | | | |
| GSX 600 FK3/FK4/FK5/FK6 - Katana | Left | 03-06 | FA229 | FA229HH | MD3090X | | MD3090XC | MD3090CC | FA63 | FA63HH | MD3008 | MD3008C |
| | Right | | FA231 | FA231HH | | MD3090X | MD3090XC | MD3090CC | | | | |
| GSX-R 600 WN/WP | | 92-93 | FA145* | FA145HH* | MD3007 | MD3007 | MD3007C* | | FA63 | FA63HH | MD3008 | MD3008C |

All part numbers, prefixes and suffixes shown in this catalog are unique and form a registered copyright as the property of EBC Brakes and its UK trademark owners

* symbol after part # = 2 pieces reqd. i.e. 2 pad sets or 2 contour rotors

BRAKE APPLICATIONS
STREET BIKES

SUZUKI Contd.

| Year | FRONT | | | | | REAR | | | | | | |
|--|-------------|---------------|-----------------------|----------|------------------|-----------|------------|---------------|----------------|------------------|---------|--|
| | ORGANIC | SINTERED | OE REPLACEMENT ROTORS | | CONTOUR ROTOR | CUSTOM | ORGANIC | SINTERED | OE REPLACEMENT | CONTOUR ROTOR | CUSTOM | |
| | PADS/SHOES | Double-H PADS | LEFT | RIGHT | (see Tech Pages) | ROTOR | PADS/SHOES | Double-H PADS | ROTOR | (see Tech Pages) | ROTOR | |
| GSXR 600 V/W/X/Y/K1/K2/K3/ZK3 | 97-03 | FA158* | FA158HH* | MD3058X | MD3058X | MD3058XC* | MD3058CC* | FA63 | FA63HH | MD3060 | MD3060C | |
| GSXR 600 K4/K5/XK5 (Radial Caliper) | 04-05 | | FA379HH* | MD3089X | MD3089X | MD3089XC* | MD3089CC* | FA254 | FA254HH | MD3060 | MD3060C | |
| GSXR 600 K6/K7 (Tokico Radial Caliper) | 06-08 | | FA379HH* | MD3091X | MD3091X | MD3091XC* | MD3091CC* | FA419 | FA419HH | MD3060 | MD3060C | |
| GSXR 600 K8/K9 (Tokico Radial Caliper) | 08-10 | | FA379HH* | MD3100X | MD3100X | MD3100XC* | | FA419 | FA419HH | MD3060 | MD3060C | |
| GSXR 600 L1 (Brembo Radial Caliper) | 11 | | FA447HH* | MD3102X | MD3102X | MD3102XC* | | FA436 | FA436HH | MD3060 | MD3060C | |
| RF 600 RR/RS/RT/RV | 94-97 | FA142* | FA142HH* | MD3003X | MD3003X | MD3003XC* | MD3003CC* | FA63 | FA63HH | MD3008 | MD3008C | |
| AN 650 K3 Burgman | 03 | FA142* | FA142HH* | MD987D | MD987D | | | FA412 | FA412HH | MD988D | | |
| AN 650 K4/AK4/K5/AK5/K6/AK6/AK7/K7/AK8/K8/AK9/K9/AK1 | 04-11 | FA142* | FA142HH* | MD994D | MD994D | | | FA412 | FA412HH | MD998D | | |
| GR 650 D/XD Tempter | 83 | FA65 | | MD3014LS | | | | 606 | | | | |
| GS 650 EX/EZ | 81-82 | FA65* | | MD3014LS | MD3014RS | | | FA36 | | MD3027 | | |
| GS 650 GX/GZ/GD | 81-83 | FA65* | | MD3014LS | MD3014RS | | | FA36 | | MD3027 | | |
| GS 650 GLX/GLZ/GLD | 81-83 | FA65 | | MD3022LS | | | | FA36 | | MD3027 | | |
| GS 650 MD | 83 | FA65* | | MD3014LS | MD3014RS | | | FA36 | | MD3027 | | |
| GSX 650 FK8/FK9/FL0 | 08-10 | FA158* | FA158HH* | MD3092X | MD3092X | MD3092XC* | MD3092CC* | FA174 | FA174HH | MD3093 | MD3093C | |
| LS 650 FG/PG/PH/FH/PJ/PS/PT/PV/PW/PX/PY | | | | | | | | | | | | |
| /PK1/PK2/PK3/PK4 Savage | 86-88/95-04 | FA106 | | MD3017LS | | | | 606 | | | | |
| LS 650 K5/K6/K7/K8/K9/L1 (Boulevard S40 650cc) | 05-11 | FA106 | | MD3017LS | | | | 606 | | | | |
| SFV 650 K9 Gladius | Left 09-10 | FA229 | FA229HH | MD3103X | | MD3103XC | | FA496 | FA496HH | MD3093 | MD3093C | |
| | Right | FA231 | FA231HH | | MD3103X | MD3103XC | | | | | | |
| SV 650 X/Y/K1/K2/SK1/SK2 | Left 99-02 | FA229 | FA229HH | MD3003X | | MD3003XC | MD3003CC | FA63 | FA63HH | MD3008 | MD3008C | |
| | Right | FA231 | FA231HH | | MD3003X | MD3003XC | MD3003CC | | | | | |
| SV 650 K3/SK3/K4/SK4/K5/SK5/K6/SK6/K7 | Left 03-10 | FA229 | FA229HH | MD3090X | | MD3090XC | MD3090CC | FA174 | FA174HH | MD3060 | MD3060C | |
| /SK7/K8/SK8/SK9/K9 | Right | FA231 | FA231HH | | MD3090X | MD3090XC | MD3090CC | | | | | |
| SV 650 AK7/AK8/AK9 ABS | Left 07-10 | FA229 | FA229HH | MD3103X | | MD3103XC | | FA174 | FA174HH | MD3093 | MD3093C | |
| | Right | FA231 | FA231HH | | MD3103X | MD3103XC | | | | | | |
| SV 650 SAK7/SAK8/SAK9 ABS | Left 07-10 | FA229 | FA229HH | MD3103X | | MD3103XC | | FA174 | FA174HH | MD3093 | MD3093C | |
| | Right | FA231 | FA231HH | | MD3103X | MD3103XC | | | | | | |
| XN 85 D (673cc) | 83 | FA65* | | MD3028LS | MD3028RS | | | FA36 | | MD3014RS | | |
| GS 700 EF/ESF | 85 | FA51* | | MD3028LS | MD3028RS | | | FA36 | | MD3029 | | |
| GV 700 GLF/GLF2 | 85 | FA51* | | MD3030LS | MD3030RS | | | 626 | | | | |
| VS 700 GLEFG/GLEPG/GLEFH/GLEPH | 86-87 | FA103 | FA103HH | MD3073LS | | | | 626 | | | | |
| VS 700 GGLFH/GLPH | 86-87 | FA103 | FA103HH | MD3032LS | | | | 626 | | | | |
| VS 700 GLFG/GLPG | 86-87 | FA103 | FA103HH | MD3031LS | | | | 626 | | | | |
| GS 750 B (8 Valve) | 77 | FA35 | | MD3019LS | | | | FA36 | | MD3019RS | | |
| GS 750 C/N (8 Valve) | 78-79 | FA35 | | MD3020LS | | | | FA36 | | MD3014RS | | |
| GS 750 EC/EN (8 Valve) | 78-79 | FA35* | | MD3014LS | MD3014RS | | | FA36 | | MD3014RS | | |
| GS 750 LN (8 Valve) | 79 | FA38* | | MD3014LS | MD3014RS | | | FA36 | | MD3014RS | | |
| GS 750 ET/EX/EZ (16 valve) | 80-82 | FA51* | | MD3014LS | MD3014RS | | | FA36 | | MD3014RS | | |
| GS 750 LT/LX (16 valve) | 80-81 | FA51* | | MD3014LS | MD3014RS | | | FA36 | | MD3014RS | | |
| GS 750 TZ/TD (16 valve) | 82-83 | FA51 | | MD3022LS | | | | 634 | | | | |
| GS 750 ED/ESD | 83 | FA51* | | MD3028LS | MD3028RS | | | FA36 | | MD3029 | | |
| GS 750 SD | 83 | FA65* | | MD3014LS | MD3014RS | | | FA36 | | MD3014RS | | |
| GSX-R 750 RG/G/H | 86-87 | FA103* | FA103HH | MD3005 | MD3005 | | | FA63 | FA63HH | MD3009 | | |
| GSX-R 750 J/K/L/M/N/W/P | 88-93 | FA145* | FA145HH* | MD3007 | MD3007 | MD3007C* | | FA63 | FA63HH | MD3008 | MD3008C | |
| GSX-R 750 WR/WS | 94-95 | FA188* | FA188HH* | MD3007 | MD3007 | MD3007C* | | FA63 | FA63HH | MD3008 | MD3008C | |
| GSX-R 750 T/V/W/X | 96-99 | FA188* | FA188HH* | MD3058X | MD3058X | MD3058XC* | MD3058CC* | FA63 | FA63HH | MD3060 | MD3060C | |
| GSX-R 750 Y/K1/K2/K3 | 00-03 | FA158* | FA158HH* | MD3058X | MD3058X | MD3058XC* | MD3058CC* | FA63 | FA63HH | MD3060 | MD3060C | |
| GSXR 750 K4/K5/XK5 (Tokico Radial Caliper) | 04-05 | | FA379HH* | MD3089X | MD3089X | MD3089XC* | MD3089CC* | FA254 | FA254HH | MD3060 | MD3060C | |
| GSXR 750 K6/K7 (Tokico Radial Caliper) | 06-07 | | FA379HH* | MD3091X | MD3091X | MD3091XC* | MD3091CC* | FA419 | FA419HH | MD3060 | MD3060C | |
| GSXR 750 K8/K9 (Tokico Radial Caliper) | 08-10 | | FA379HH* | MD3100X | MD3100X | MD3100XC* | | FA419 | FA419HH | MD3060 | MD3060C | |
| GSXR 750 L1 (Brembo Radial Caliper) | 11 | | FA447HH* | MD3102X | MD3102X | MD3102XC* | | FA436 | FA436HH | MD3060 | MD3060C | |
| GSX 750 FK/FL/FM/FN/FP/FR/FS/FT/FV Katana | 89-97 | FA146* | FA146HH* | MD3003X | MD3003X | MD3003XC* | MD3003CC* | FA63 | FA63HH | MD3002 | MD3002C | |
| GSX 750 FW/FX/FY/FK1/FK2 Katana | Left 98-02 | FA229 | FA229HH | MD3003X | | MD3003XC | MD3003CC | FA63 | FA63HH | MD3008 | MD3008C | |
| | Right | FA231 | FA231HH | | MD3003X | MD3003XC | MD3003CC | | | | | |
| GSX 750 FK3/FK4/FK5/FK6 Katana | Left 03-06 | FA229 | FA229HH | MD3090X | | MD3090XC | MD3090CC | FA63 | FA63HH | MD3008 | MD3008C | |
| | Right | FA231 | FA231HH | | MD3090X | MD3090XC | MD3090CC | | | | | |
| GT 750 K/L/M/A/B | 73-77 | FA55* | FA55HH* | MD3019LS | MD3019RS | | | 634 | | | | |
| VS 750 GLP/J/GLPK/GLPL/GLPM Intruder | 88-91 | FA103 | FA103HH | | MD3032RS | | | 626 | | | | |

All part numbers, prefixes and suffixes shown in this catalog are unique and form a registered copyright as the property of EBC Brakes and its UK trademark owners

* symbol after part# = 2 pieces reqd. i.e. 2 pad sets or 2 contour rotors

STREET BIKES

SUZUKI Contd.

| | Year | FRONT | | | | | REAR | | | | | |
|--|-------|--------------------|------------------------|-----------------------|----------|--------------------------------|--------------|--------------------|------------------------|----------------------|--------------------------------|--------------|
| | | ORGANIC PADS/SHOES | SINTERED Double-H PADS | OE REPLACEMENT ROTORS | | CONTOUR ROTOR (see Tech Pages) | CUSTOM ROTOR | ORGANIC PADS/SHOES | SINTERED Double-H PADS | OE REPLACEMENT ROTOR | CONTOUR ROTOR (see Tech Pages) | CUSTOM ROTOR |
| | | | | LEFT | RIGHT | | | | | | | |
| VL 800 K1/K2/K3/K4 Intruder Volusia | 01-04 | FA231 | FA231HH | | MD3095RS | | | 626 | | | | |
| VL 800 K5/K6/SK5/TK5/SK6 (Boulevard) /TK6/K7/TK7 /K8/TK8/K9/ZK9/TK9/L1 (C50/C50 T) | 05-11 | FA231 | FA231HH | | MD3095RS | | | 626 | | | | |
| VS 800 Intruder GLN/GLP/GLR/GLS/GLT/GLV/GLW/GLX /GLY/GLK1/GLK2/GLK3/GLK4 | 92-04 | FA103 | FA103HH | | MD3032RS | | | 626 | | | | |
| VS 800 K5/K6/K7/K8/ZK8/K9/ZK9/L0 (S50 Boulevard) | 05-09 | FA103 | FA103HH | | MD3032RS | | | 626 | | | | |
| VX 800 L/M/N/P | 90-93 | FA129 | FA129HH | MD3033LS | | | | FA146 | FA146HH | MD3061 | | |
| VZ 800 Marauder V/W/X/Y/K1/K2/K3/K4 | 97-04 | FA231 | FA231HH | | MD3045 | | | 626 | | | | |
| VZ 800 K5/K6/BK6/K7/ZK7/K8/ZK8/K9/ZK9 (M50 Boulevard) | 05-10 | FA231 | FA231HH | | MD3096RS | | | 626 | | | | |
| GS 850 GN | 79 | FA35* | | MD3014LS | MD3014RS | | | FA36 | | MD3014RS | | |
| GS 850 GT/GX/GLT | 80-81 | FA51* | | MD3014LS | MD3014RS | | | FA36 | | MD3014RS | | |
| GS 850 GLX/GLZ/GZ/GLD/GD | 80-83 | FA51* | | MD3014LS | MD3014RS | | | FA36 | | MD3027 | | |
| RF 900 RR/RS/RS2 | 94-95 | FA145* | FA145HH* | MD3006X | MD3006X | MD3006XC* | MD3006CC* | FA222 | | MD3008 | MD3008C | |
| RF 900 RT/RV/RW | 96-98 | FA145* | FA145HH* | MD3006X | MD3006X | MD3006XC* | MD3006CC* | FA63 | FA63HH | MD3008 | MD3008C | |
| GS 1000 C/N | 78-79 | FA38 | | MD3020LS | | | | FA36 | | MD3014RS | | |
| GS 1000 EC/EN/SN/LN | 78-79 | FA38* | | MD3014LS | MD3014RS | | | FA36 | | MD3014RS | | |
| GS 1000 ET/ST/SZ | 80-82 | FA65* | | MD3014LS | MD3014RS | | | FA36 | | MD3014RS | | |
| GS 1000 GT/GX | 80-81 | FA51* | | MD3014LS | MD3014RS | | | FA36 | | MD3014RS | | |
| GS 1000 GLT/GLX | 80-81 | FA51* | | MD3014LS | MD3014RS | | | FA36 | | MD3014RS | | |
| GSXR 1000 K1/K2 | 01-02 | FA188* | FA188HH* | MD3058X | MD3058X | MD3058XC* | MD3058CC* | FA254 | FA254HH | MD3060 | MD3060C | |
| GSXR 1000 K3 | 03 | | FA369/4HH* | MD3089X | MD3089X | MD3089XC* | MD3089CC* | FA254 | FA254HH | MD3060 | MD3060C | |
| GSXR 1000 K4/ZK4 (Tokico Radial Caliper) | 04 | | FA379HH* | MD3089X | MD3089X | MD3089XC* | MD3089CC* | FA254 | FA254HH | MD3060 | MD3060C | |
| GSXR 1000 K5/K6 (Tokico Radial Caliper) | 05-06 | | FA379HH* | MD3091X | MD3091X | MD3091XC* | MD3091CC* | FA254 | FA254HH | MD3060 | MD3060C | |
| GSXR 1000 K7/K8 (Tokico Radial Caliper) | 07-08 | | FA379HH* | MD3091X | MD3091X | MD3091XC* | MD3091CC* | FA419 | FA419HH | MD3060 | MD3060C | |
| GSXR 1000 K9/L1 (Tokico Radial Caliper) | 09-11 | | FA379HH* | MD3102X | MD3102X | MD3102XC* | | FA436 | FA436HH | MD3060 | MD3060C | |
| SV 1000 K3/SK3/K4/SK4/K5/SK5/SK6/SK7 | 03-07 | FA158* | FA158HH* | MD3088X | MD3088X | MD3088XC* | MD3088CC* | FA174 | FA174HH | MD3060 | MD3060C | |
| TL 1000 SV/SW/SX/SY/SK1 | 97-01 | FA158* | FA158HH* | MD3058X | MD3058X | MD3058XC* | MD3058CC* | FA63 | FA63HH | MD3060 | MD3060C | |
| TL 1000 RW/RX/RV/RK1/RK2/RK3 | 98-03 | FA188* | FA188HH* | MD3058X | MD3058X | MD3058XC* | MD3058CC* | FA63 | FA63HH | MD3060 | MD3060C | |
| GS 1100 ET/EX/EZ/ED/ESD | 80-83 | FA65* | | MD3014LS | MD3014RS | | | FA36 | | MD3014RS | | |
| GS 1100 LT | 80 | FA65* | | MD3014LS | MD3014RS | | | FA36 | | MD3014RS | | |
| GS 1100 GZ/GD | 82-83 | FA51* | | MD3014LS | MD3014RS | | | FA36 | | MD3027 | | |
| GS 1100 GLZ/GLD | 82-83 | FA51* | | MD3014LS | MD3014RS | | | FA36 | | MD3027 | | |
| GS 1100 GKZ/GK2/GKD | 82-83 | FA51* | | MD3014LS | MD3014RS | | | FA36 | | MD3027 | | |
| GS 1100 SD | 83 | FA65* | | MD3014LS | MD3014RS | | | FA36 | | MD3014RS | | |
| GSX 1100 GM/GN/GP | 91-93 | FA129* | FA129HH* | MD3037LS | MD3037RS | | | FA146 | FA146HH | MD3038 | | |
| GSX 1100 FJ/FK/FL/FM/FV/FP Katana | 88-93 | FA146* | FA146HH* | MD3039LS | MD3039RS | | | FA103 | FA103HH | MD3036 | | |
| GSX-R 1100 G/H/J | 86-88 | FA103* | FA103HH* | MD3004 | MD3004 | | | FA63 | FA63HH | MD3009 | | |
| GSX-R 1100 K/L/M/N | 89-92 | FA145* | FA145HH* | MD3007 | MD3007 | MD3007C* | | FA63 | FA63HH | MD3008 | MD3008C | |
| GSX-R 1100 WP/WR/WS/WT/WV/WW | 93-98 | FA188* | FA188HH* | MD3007 | MD3007 | MD3007C* | | FA63 | FA63HH | MD3008 | MD3008C | |
| GS 1150 ES3/ESE/EF/ESF/EF2/EG/ESG | 83-86 | FA103* | FA103HH* | MD3039LS | MD3039RS | | | FA103 | FA103HH | MD3039 | | |
| GSF 1200 SV/SW/SX | 96-99 | FA145* | FA145HH* | MD3006X | MD3006X | MD3006XC* | MD3006CC* | FA63 | FA63HH | MD3008 | MD3008C | |
| GSF 1200 SAV Bandit - ABS | 97 | FA145* | FA145HH* | MD3075LS | MD3075RS | | | FA63 | FA63HH | MD3076 | | |
| GSF 1200 SK1-SK5/K1-K3 Bandit | 01-05 | FA188* | FA188HH* | MD3006X | MD3006X | MD3006XC* | MD3006CC* | FA63 | FA63HH | MD3008 | MD3008C | |
| GV 1200 GLF/GLF2/GLG Madura | 85-86 | FA51* | | MD3030LS | MD3030RS | | | FA36 | | MD3041 | | |
| GSF 1250 AK7/SAK7/SAK8/SAK9 (ABS) | 07-10 | FA158* | FA158HH* | MD3092X | MD3092X | MD3092XC* | MD3092CC* | FA174 | FA174HH | MD3093 | MD3093C | |
| GSF 1250 SK7/SK8/SK9 Bandit | 07-10 | FA158* | FA158HH* | MD3092X | MD3092X | MD3092XC* | MD3092CC* | FA174 | FA174HH | MD3093 | MD3093C | |
| GSX 1250 FAL1 | 11 | FA158* | FA158HH* | MD3092X | MD3092X | MD3092XC* | MD3092CC* | FA174 | FA174HH | MD3093 | MD3093C | |
| GSX 1300 RX/RV/RK1/RK2/RZK3/RK4/RZK4/RK5 /RK6/RZK6/RK7 Hayabusa | 99-07 | FA188* | FA188HH* | MD3058X | MD3058X | MD3058XC* | MD3058CC* | FA63 | FA63HH | MD3008 | MD3008C | |
| GSX 1300 RK8/RK9/L1 | 08-11 | | FA379HH* | MD3098X | MD3098X | MD3098XC* | MD3098CC* | FA419 | FA419HH | MD3099 | MD3099C | |
| GSX 1300 BKA8/K9 B-King ABS | 08-10 | | FA347HH* | MD3098X | MD3098X | MD3098XC* | MD3098CC* | FA419 | FA419HH | MD3099 | MD3099C | |
| GSX 1300 BKA8/K9 B-King | 08-10 | | FA347HH* | MD3098X | MD3098X | MD3098XC* | MD3098CC* | FA419 | FA419HH | MD3099 | MD3099C | |
| GV 1400 GDG/GTG (up to frame No. 103764) (Cavalcade) | 86 | FA103* | FA103HH* | MD3042LS | MD3042RS | | | FA103 | FA103HH | MD3043 | | |
| GV 1400 GDG (From frame No. 103765) (Cavalcade) | 86 | FA146* | FA146HH* | MD3042LS | MD3042RS | | | FA150 | FA150HH | MD3043 | | |
| GV 1400 GCG/GDH/GTH/GCH/GDJ (Cavalcade) | 86-88 | FA146* | FA146HH* | MD3042LS | MD3042RS | | | FA150 | FA150HH | MD3043 | | |

All part numbers, prefixes and suffixes shown in this catalog are unique and form a registered copyright as the property of EBC Brakes and its UK trademark owners

* symbol after part# = 2 pieces reqd. i.e. 2 pad sets or 2 contour rotors

STREET BIKES

SUZUKI Contd.

| | Year | FRONT | | | | | REAR | | | | | |
|--|-------|--------------------|------------------------|-----------------------|----------|--------------------------------|--------------|--------------------|------------------------|----------------------|--------------------------------|--------------|
| | | ORGANIC PADS/SHOES | SINTERED Double-H PADS | OE REPLACEMENT ROTORS | | CONTOUR ROTOR (see Tech Pages) | CUSTOM ROTOR | ORGANIC PADS/SHOES | SINTERED Double-H PADS | OE REPLACEMENT ROTOR | CONTOUR ROTOR (see Tech Pages) | CUSTOM ROTOR |
| | | | | LEFT | RIGHT | | | | | | | |
| VS 1400 GLPH/GLFH/GLPJ/GLPL/GLPM/GLPN/GLPP/GLPR /GLPS/GLPT/GLPV/GLPW/GLPX/GLPY/GLPK1/GLPK2 /GLPK3/GLPK4 Intruder | 87-04 | FA103 | FA103HH | | MD3032RS | | | FA103 | FA103HH | MD3044 | | |
| VS 1400 GLPK5/GLPK6/GLPK7/GLPK8/K9/L0 (Boulevard S83) (1400cc) | 05-10 | FA103 | FA103HH | | MD3032RS | | | FA103 | FA103HH | MD3044 | | |
| M 1500 K9 M90 Boulevard | 09 | FA229 | FA229HH | MD3090X | | MD3090XC | MD3090CC | FA231 | FA231HH | MD3097 | | |
| | Left | | | | | | | | | | | |
| | Right | FA231 | FA231HH | | MD3090X | MD3090XC | MD3090CC | | | | | |
| VL 1500 W/X Intruder legendary classic | 98-99 | FA103 | FA103HH | | MD3078RS | | | FA103 | FA103HH | MD3079 | | |
| VL 1500 Y/K1 Intruder legendary classic | 00-01 | FA103 | FA103HH | | MD3078RS | | | FA103 | FA103HH | MD3086 | | |
| VL 1500 K2/K3/K4 Intruder LC | 02-04 | FA229 | FA229HH | MD3087LS | | | | FA366 | FA366HH | MD3086 | | |
| | Left | | | | | | | | | | | |
| | Right | FA231 | FA231HH | | MD3087RS | | | | | | | |
| VL 1500 BK5/BK6/K5/K6/TK5/TK6/K7/TK7/K8/TK8 /K9/TK9 (C90/C90T Boulevard) | 05-10 | FA229 | FA229HH | MD3087LS | | | | FA366 | FA366HH | MD3086 | | |
| | Left | | | | | | | | | | | |
| | Right | FA231 | FA231HH | | MD3087RS | | | | | | | |
| VZ 1600 K4 Marauder | 04 | FA188 | FA188HH | MD4022X | MD4022X | MD4022XC* | MD4022CC* | FA231 | FA231HH | MD4146 | | |
| VZ 1600 K5 (M95 Boulevard) | 05 | | FA369/4HH* | MD4022X | MD4022X | MD4022XC* | MD4022CC* | FA231 | FA231HH | MD4146 | | |
| VLR 1800 TK8/TK9/TL0 (C109RT Boulevard Touring) | 08-10 | FA388* | FA388HH* | MD3090X | MD3090X | MD3090XC* | MD3090CC* | FA231 | FA231HH | MD3097 | | |
| VLR 1800 K8/K9 (C109R Boulevard) | 08-10 | FA388* | FA388HH* | MD3090X | MD3090X | MD3090XC* | MD3090CC* | FA231 | FA231HH | MD3097 | | |
| VZR 1800 K6/K7/ZK7/RK8/ZK8/RK9/RZK9/RZL1 Boulevard M109R | 06-11 | | FA379HH* | MD3091X | MD3091X | MD3091XC* | MD3091CC* | FA231 | FA231HH | MD3097 | | |
| VZR 1800 R2K8/R2K9/R2L1 Boulevard R2 (M109R2) | 08-11 | | FA379HH* | MD3091X | MD3091X | MD3091XC* | MD3091CC* | FA231 | FA231HH | MD3097 | | |

YAMAHA

| | | | | | | | | | | | | |
|--|-------------|-------|---------|---------|----------|--|--|-------|---------|---------|--|--|
| C3 (50cc Scooter) (XF 50 W/X/Y/Z/A) | 07-11 | 530 | | | | | | 530 | | | | |
| LB 50 PG/PH/PJ Chappy | 80-82 | 504 | | | | | | 504 | | | | |
| LC 50 G/H Champ | 80-81 | 519 | | | | | | 519 | | | | |
| MJ 50 J Towny | 82 | 501 | | | | | | 501 | | | | |
| QT 50 G/2G/H/J/K/L/N/S/T Yamahopper | 80-87 | 501 | | | | | | 501 | | | | |
| RX 50 MK/K/L | 83-84 | FA70 | | N/A | | | | 504 | | | | |
| CA 50 K/L/N/S Riva | 83-86 | 501 | | | | | | 519 | | | | |
| CE 50 ES/ET | 86-87 | 501 | | | | | | 519 | | | | |
| CG 50 EU/W/A/B | 88-91 | 501 | | | | | | 519 | | | | |
| CY 50 D/E/F/K/L Jog | 92-94/98-99 | 519 | | | | | | 503 | | | | |
| CY 50 N Jog | 01 | 519 | | | | | | 503 | | | | |
| CV 50 L Riva | 84 | 503 | | | | | | 503 | | | | |
| CW 50 W/TA Riva Zuma | 89-90 | 518 | | | | | | 518 | | | | |
| CW 50 K Riva | 98 | 503 | | | | | | 503 | | | | |
| CW 50 (Bws) | 98-99 | FA193 | FA193HH | MD916D | | | | 503 | | | | |
| CW 50 L/TL Zuma/Zuma II | 99 | FA193 | FA193HH | MD904D | | | | 503 | | | | |
| CW 50 M/N Zuma II | 00-01 | FA193 | FA193HH | MD923D | | | | 503 | | | | |
| SH 50 T/EMT/U/MU/W/MW/A/MA/B/D/MD/E/F/K/L Razz | 87-94/98-99 | 501 | | | | | | 519 | | | | |
| XC 50 V/W/X/Y/Z/A Vno Classic | 06-11 | 530 | | | | | | 530 | | | | |
| YJ 50 RN/RP/RR/RS Vno 50 | 01-04 | 530 | | | | | | 530 | | | | |
| YJ 50 RAP/RAR/RAS/RAT Vno Classic | 02-05 | 530 | | | | | | 530 | | | | |
| YSR 50 T/U/W/A/B/D | 87-92 | FA101 | | N/A | | | | 503 | | | | |
| Zuma 50 (YW 50 P/R/S/T/X/Y/Z/A) | 02-05/08-11 | FA169 | FA169HH | N/A | | | | 531 | | | | |
| CV 80 K/L/N/S/T Riva | 83-87 | 503 | | | | | | 503 | | | | |
| YJ 125 S/T/W/X/Y Vno | 04-09 | FA101 | | | N/A | | | 530 | | | | |
| XC 125 N/NC/SC/T/TC/U/W/ZS/ZSC/ZT/ZTC /ZU/ZW/ZB/D Riva | 85-92 | 521 | | | | | | 506 | | | | |
| XC 125 E/F/K Riva | 93-94/98 | 521 | | | | | | 527 | | | | |
| YW 125 Y/Z/A Zuma/BWIS | 09-11 | FA492 | | MD986D | | | | 533 | | | | |
| XC 180 K/KC/L/LC/N/NC/ZL/ZLC/ZN/ZNC/DN/DWC Riva | 83-85 | 521 | | | | | | 510 | | | | |
| SR 185 H/J | 81-82 | 506 | | | | | | 503 | | | | |
| XC 200 T/ZCT/U/W/ZU/ZW/ZB Riva | 87-91 | 521 | | | | | | 510 | | | | |
| CP 250 V/W/X Morphus | 06-08 | FA199 | FA199HH | MD9107D | | | | FA408 | FA408HH | MD9108D | | |
| SR 250 G/H/J/TH Exciter III | 80-82 | 528 | | | | | | 506 | | | | |
| SRX 250 T/TC | 87 | FA104 | FA104HH | MD2011 | MD2011C | | | 510 | | | | |
| XV 250 U/UC/W/WC/A/AC | 88-90 | FA81 | | | MD2019RS | | | 506 | | | | |

All part numbers, prefixes and suffixes shown in this catalog are unique and form a registered copyright as the property of EBC Brakes and its UK trademark owners

* symbol after part# = 2 pieces reqd. i.e. 2 pad sets or 2 contour rotors

STREET BIKES

YAMAHA Contd.

| | Year | FRONT | | | | | REAR | | | | | |
|---|-------|--------------------|------------------------|-----------------------|----------|--------------------------------|--------------|--------------------|------------------------|----------------------|--------------------------------|--------------|
| | | ORGANIC PADS/SHOES | SINTERED Double-H PADS | OE REPLACEMENT ROTORS | | CONTOUR ROTOR (see Tech Pages) | CUSTOM ROTOR | ORGANIC PADS/SHOES | SINTERED Double-H PADS | OE REPLACEMENT ROTOR | CONTOUR ROTOR (see Tech Pages) | CUSTOM ROTOR |
| | | | | LEFT | RIGHT | | | | | | | |
| XV 250 Virago G/GC/H/H/C/J/JC/L/LC/M/MC/N/NC/P/PC/R/R/C/S/RS/T/RT/V/V/C/W/W/C | 95-07 | FA199 | FA199HH | MD2067LS | | | | 527 | | | | |
| XV 250 V-Star | 08-11 | FA199 | FA199HH | MD2067LS | | | | 527 | | | | |
| RZ 350 L/N/NC11 | 84-85 | FA81* | | MD2011 | MD2011 | MD2011C* | | FA88 | FA88HH | MD2011 | MD2011C | |
| FZR 400 U/SUC/W/SWC | 88-89 | FA88* | FA88HH* | MD2020LS | MD2020RS | | | FA104 | FA104HH | MD2021 | | |
| FZR 400 A | 90 | FA123* | FA123HH* | MD2022LS | MD2022RS | | | FA104 | FA104HH | MD2021 | | |
| FZR 400 RRSP/RR | 91-92 | FA252* | FA252HH* | MD2001X | MD2001X | MD2001XC* | MD2001CC* | FA104 | | MD2021 | MD2021C | |
| RD 400 C/D/E | 76-78 | FA11 | | | N/A | | | FA11 | | N/A | | |
| RD 400 F Daytona | 79 | FA41 | | | MD2025RS | | | FA41 | | MD2025RS | | |
| XS 400 2G/H | 80-81 | 513 | | | | | | 516 | | | | |
| XS 400 SG/SH | 80-81 | FA41 | | | MD2019RS | | | 516 | | | | |
| XS 400 SJ | 82 | 513 | | | | | | 516 | | | | |
| XS 400 J/K Maxim | 82-83 | FA81 | | | MD2019RS | | | 516 | | | | |
| XS 400 RJ/RK | 82-83 | FA81 | | | MD2011 | MD2011C | | 516 | | | | |
| XJ 400 S Seca II | 93 | FA179 | FA179HH | MD2031LS | | | | FA88 | FA88HH | MD2002 | | |
| YP 400 T/V/W/X/Y/Z Majesty | 05-10 | FA179 | FA179HH | MD9102D | | | | FA408 | FA408HH | MD9103D | | |
| SR 500 G/H | 80-81 | FA34 | | MD2023LS | | | | 510 | | | | |
| RZ 500 | 84-86 | FA88* | FA88HH* | MD2069LS | MD2069RS | | | FA104 | FA104HH | MD2070 | | |
| XP 500 Y/Z/A (T-Max) | 09-11 | FA252* | FA252HH* | MD2107 | MD2107 | MD2107C* | | FA408 | FA408HH | MD2011 | MD2011C | |
| XS 500 B | 75 | FA11 | | | N/A | | | 512 | | | | |
| XS 500 C/D/E | 76-78 | FA34 | | MD2024LS | MD2024RS | | | FA34 | | MD2025RS | | |
| XV 500 K Virago | 83 | FA81 | | MD2023LS | | | | 512 | | | | |
| XV 535 Virago T/TC/U/A/A/C/E/EC/F/FC/SF/SFC | 87-94 | FA136 | | | MD2023RS | | | 515 | | | | |
| XV 535 Virago G/GC/SG/SGC/H/H/C/SH/SHC/J/JC/SJ/SJC | 95-99 | FA179 | FA179HH | | MD2076 | | | 515 | | | | |
| XJ 550 H/J/K Maxim | 81-83 | FA70 | | | MD2023RS | | | 512 | | | | |
| XJ 550 RH/RJ/RK Seca | 81-83 | FA70 | | | MD2023RS | | | 516 | | | | |
| XZ 550 RJ | 82 | FA81 | | MD2076 | | | | 512 | | | | |
| XZ 550 RK | 83 | FA81* | | MD2011 | MD2011 | MD2011C* | | 512 | | | | |
| FJ 600 L/LC/N/NC | 84-85 | FA88* | FA88HH* | MD2011 | MD2011 | MD2011C* | | FA88 | FA88HH | MD2011 | MD2011C | |
| FZ 600 S/S/C/T/TC/U/U/C | 86-88 | FA88* | FA88HH* | MD2011 | MD2011 | MD2011C* | | FA104 | FA104HH | MD2002 | MD2002C | |
| FZR 600 W/W/C | 89 | FA88* | FA88HH* | MD2001X | MD2001X | MD2001XC* | MD2001CC* | FA88 | FA88HH | MD2002 | MD2002C | |
| FZR 600 AC/RA/RAC/RBC/RD/RDCRE/REC/RF/RFC/RG/RGC/RH/RHC/RJ/RJC/RK/RKC/RL/RLC | 90-99 | FA160* | FA160HH* | MD2001X | MD2001X | MD2001XC* | MD2001CC* | FA88 | FA88HH | MD2002 | MD2002C | |
| FZ6 (FZ 600 SS/ST/SV) (2 piston caliper) | 04-06 | FA199* | FA199HH* | MD2082X | MD2082X | MD2082XC* | MD2082CC* | FA174 | FA174HH | MD2093 | MD2093C | |
| FZ6 V/X/Y (4 piston caliper) | 07-09 | FA252* | FA252HH* | MD2082X | MD2082X | MD2082XC* | MD2082CC* | FA174 | FA174HH | MD2093 | MD2093C | |
| FZ6R (FZS6Y/Z/A) | 09-11 | FA199* | FA199HH* | MD2082X | MD2082X | MD2082XC* | MD2082CC* | FA140 | FA140HH | MD2093 | MD2093C | |
| SRX 600 S/SC | 86 | FA104* | FA104HH* | MD2011 | MD2011 | MD2011C* | | FA104 | FA104HH | MD2002 | MD2002C | |
| YZF 600 RG/RGC/RH/RHC | 95-96 | FA160* | FA160HH* | MD2001X | MD2001X | MD2001XC* | MD2001CC* | FA88 | FA88HH | MD2002 | MD2002C | |
| (YZF 600 R) RJ/RK/RL/RM/RN/RP/RR/RS/RT/RV/RW | 97-07 | FA252* | FA252HH* | MD2074X | MD2074X | MD2074XC* | MD2074CC* | FA88 | FA88HH | MD2002 | MD2002C | |
| YZF 600 RRL/RRM/RRN/RRP (R6) | 99-02 | FA252* | FA252HH* | MD2074X | MD2074X | MD2074XC* | MD2074CC* | FA275 | FA275HH | MD2084 | MD2084C | |
| YZF 600 R6 RRR/RRS | 03-04 | FA252* | FA252HH* | MD2082X | MD2082X | MD2082XC* | MD2082CC* | FA174 | FA174HH | MD2091 | MD2091C | |
| YZF-R6 T/V/W (310mm rotor) | 05-07 | | FA380HH* | MD2095X | MD2095X | MD2095XC* | MD2095CC* | FA174 | FA174HH | MD2091 | MD2091C | |
| YZF-R6 X/Y/Z/A | 08-11 | | FA380HH* | MD2105X | MD2105X | MD2105XC* | | FA174 | FA174HH | MD2091 | MD2091C | |
| YZF-R6S (YZF 6 SV/SW/SX/SY) (298mm rotor) | 06-09 | FA252* | FA252HH* | MD2074X | MD2074X | MD2074XC* | MD2074CC* | FA174 | FA174HH | MD2091 | MD2091C | |
| XJ 600 S Seca IISD/SDC/SE/SEC/EF/SFC/SG/SGC/SH/SHC/SJ/SJC/SK/SKC | 92-98 | FA179 | FA179HH | MD2031LS | | | | FA104 | FA104HH | MD2002 | | |
| YX 600 S/S/C/T/TC/U/U/W/W/C/A/AC Radian | 86-90 | FA88* | FA88HH* | MD2011 | MD2011 | MD2011C* | | 512 | | | | |
| XJ 650 G/H/J/K Maxim | 80-83 | FA61 | | MD2023LS | | | | 512 | | | | |
| XJ 650 LH Midnight | 81 | FA61 | | MD2024LS | | | | 512 | | | | |
| XJ 650 RJ Seca | 82 | FA34* | | MD2019LS | MD2019RS | | | 515 | | | | |
| XJ 650 LK Seca | 83 | FA81* | | MD2011 | MD2011 | MD2011C* | | 515 | | | | |
| XJ 650 LJ Seca Turbo | 82 | FA81* | | MD2011 | MD2011 | MD2011C* | | 515 | | | | |
| XS 2/TX 650 | 72-73 | FA11 | | | N/A | | | 514 | | | | |
| TX 650 A/XS 650 B/C | 74-76 | FA11 | | | N/A | | | 514 | | | | |
| XS 650 D/E/F/2F | 77-79 | FA34 | | MD2024LS | | | | 514 | | | | |
| XS 650 SE/SF/SG | 78-80 | FA34 | | | MD2023RS | | | FA34 | | MD2025RS | | |
| XS 650 G/H/SH | 80-81 | FA34 | | | MD2023RS | | | 514 | | | | |
| XS 650 SJ/SK Heritage Special | 82-83 | FA34 | | MD2023LS | MD2023RS | | | 514 | | | | |

All part numbers, prefixes and suffixes shown in this catalog are unique and form a registered copyright as the property of EBC Brakes and its UK trademark owners

* symbol after part# = 2 pieces reqd. i.e. 2 pad sets or 2 contour rotors

STREET BIKES

YAMAHA Contd.

| | Year | FRONT | | | | | REAR | | | | | |
|--|------------|--------------------|------------------------|-----------------------|----------|--------------------------------|--------------|--------------------|------------------------|----------------------|--------------------------------|--------------|
| | | ORGANIC PADS/SHOES | SINTERED Double-H PADS | OE REPLACEMENT ROTORS | | CONTOUR ROTOR (see Tech Pages) | CUSTOM ROTOR | ORGANIC PADS/SHOES | SINTERED Double-H PADS | OE REPLACEMENT ROTOR | CONTOUR ROTOR (see Tech Pages) | CUSTOM ROTOR |
| | | | | LEFT | RIGHT | | | | | | | |
| XVS 650 V Star Custom | 97-11 | FA179 | FA179HH | | MD2076RS | | | 515 | | | | |
| XVS 650 V Star Classic | 98-10 | FA179 | FA179HH | | MD2076RS | | | 515 | | | | |
| XVS 650 V-Star Silverado | 03-10 | FA179 | FA179HH | | MD2076RS | | | 515 | | | | |
| FZ 700 T/T/CAK/AL/ALC Genesis | 87 | FA88* | FA88HH* | MD2011 | MD2011 | MD2011C* | | FA88 | FA88HH | MD2011 | MD2011C | |
| FZX 700 S/SC/TTC Fazer | 86-87 | FA88* | FA88HH* | MD2011 | MD2011 | MD2011C* | | FA88 | FA88HH | MD2069 | | |
| XJ 700 N/NC/XN/XNC/XS/XSC/S/SC | 85-86 | FA88* | FA88HH* | MD2011 | MD2011 | MD2011C* | | 515 | | | | |
| XV 700 L/LC/N/NC/CS/CT/CTC/CSC/SS/SSC/ST/STC | 84-87 | FA88* | FA88HH* | MD2011 | MD2011 | MD2011C* | | 515 | | | | |
| FZ 750 N/S/SC/U/UC | 85-88 | FA88* | FA88HH* | MD2069 | MD2069 | | | FA88 | FA88HH | MD2069 | | |
| FZR 750 Genesis RU/RT | 87-88 | FA123* | FA123HH* | MD2003X | MD2003X | MD2003XC* | MD2003CC* | FA88 | FA88HH | MD2011 | MD2011C | |
| FZR 750 (OWO1) | 89-92 | FA145* | FA145HH* | MD2009LS | MD2009RS | | | FA88 | FA88HH | MD2008 | | |
| TX 750/TX 750 A | 73-74 | FA11 | | | N/A | | | 515 | | | | |
| YZF 750 R/SP | 93-96 | FA190* | FA190HH* | MD2003X | MD2003X | MD2003XC* | MD2003CC* | FA88 | FA88HH | MD2002 | MD2002C | |
| YZF 750 R7 OWO2 Race Version | 99-01 | FA424* | FA424HH* | N/A | N/A | | | N/A | | N/A | | |
| YZF 750 R7 OWO2 Road Version | 99-01 | FA252* | FA252HH* | MD2083 | MD2083 | | | FA267 | FA267HH | MD2086 | | |
| XJ 750 J/K/MK Maxim | 82 | FA81* | | MD2019LS | MD2019RS | | | 515 | | | | |
| XJ 750 RH/RJ/RK Seca | 81-83 | FA70* | | MD2023LS | MD2023RS | | | 515 | | | | |
| XS 750 D/2D/E/F | 77-79 | FA34* | | MD2025LS | MD2025RS | | | FA34 | | MD2025RS | | |
| XS 750 SE/SF | Left 78-79 | FA61 | | MD2025LS | | | | FA34 | | MD2025RS | | |
| | Right | FA41 | | | MD2025RS | | | | | | | |
| XV 750 H/J/K/MK Virago | 81-83 | FA61 | | MD2023LS | | | | 512 | | | | |
| XV 750 U/UC/W/WC/A/AC/B/BC/D/DE/E/EC Virago | 88-94 | FA88* | FA88HH* | MD2011 | MD2011 | MD2011C* | | 515 | | | | |
| XV 750 F/FC/G/GC/H/HC/J/JC Virago | 94-97 | FA88* | FA88HH* | MD2067LS | MD2067RS | | | 515 | | | | |
| FZ8 | 11 | | FA380HH* | MD2101X | MD2101X | MD2101XC* | | FA174 | FA174HH | MD2093 | MD2093C | |
| XS 850 G/H | 80-81 | FA34* | | MD2025LS | MD2025RS | | | FA34 | | MD2025RS | | |
| XS 850 LG/LH/SG/SH | Left 80-81 | FA61 | | MD2024LS | MD2024RS | | | FA34 | | MD2025RS | | |
| | Right | FA41 | | | | | | | | | | |
| TDM 850 D/DC/E/EC | 92-93 | FA123* | FA123HH* | MD2001X | MD2001X | MD2001XC* | MD2001CC* | FA88 | FA88HH | MD2002 | MD2002C | |
| XJ 900 RK Seca | 83 | FA88* | FA88HH* | MD2069 | MD2069 | | | FA88 | FA88HH | MD2069 | | |
| XV 920 RH/RJ | 81-82 | FA34* | | MD2019LS | MD2019RS | | | 515 | | | | |
| XV 920 J Virago | 82 | FA70* | | MD2019LS | MD2019RS | | | 515 | | | | |
| XV 920 K | 83 | FA61 | | MD2024LS | | | | 515 | | | | |
| XV 920 MK Virago | 83 | FA61 | | MD2024LS | | | | 515 | | | | |
| XVS 950 Y/Z (V-Star 950) | 09-10 | FA179 | FA179HH | MD2089X | | | | FA319/2 | FA319/2HH | MD2103 | | |
| XVS 950 YB/ZB (V-Star 950 Tourer) | 09-10 | FA179 | FA179HH | MD2089X | | | | FA319/2 | FA319/2HH | MD2103 | | |
| XV 1000 L/LC/N/NC | 84-85 | FA88* | FA88HH* | MD2068 | MD2068 | | | 515 | | | | |
| FZR 1000 Genesis T/T/CA/UC | 87-88 | FA123* | FA123HH* | MD2003X | MD2003X | MD2003XC* | MD2003CC* | FA88 | FA88HH | MD2011 | MD2011C | |
| FZR 1000 Genesis W/WC | 89 | FA123* | FA123HH* | MD2003X | MD2003X | MD2003XC* | MD2003CC* | FA88 | FA88HH | MD2011 | MD2011C | |
| FZR 1000 EX UP A/AC/B/BC | 90-91 | FA160* | FA160HH* | MD2003X | MD2003X | MD2003XC* | MD2003CC* | FA88 | FA88HH | MD2011 | MD2011C | |
| FZR 1000 EX UP D/DC/E/EC | 92-93 | FA182* | FA182HH* | MD2003X | MD2003X | MD2003XC* | MD2003CC* | FA88 | FA88HH | MD2011 | MD2011C | |
| FZR 1000 EX UP F/FC/G/GC | 94-96 | FA190* | FA190HH* | MD2003X | MD2003X | MD2003XC* | MD2003CC* | FA88 | FA88HH | MD2011 | MD2011C | |
| FZS 1000 N/NC/P/PC/R/RC/S/RS/T FZ1 | 01-05 | FA252* | FA252HH* | MD2074X | MD2074X | MD2074XC* | MD2074CC* | FA348 | FA348HH | MD2011 | MD2011C | |
| FZS 1000 V/W/X/Y/Z (FZ1) | 06-11 | | FA380HH* | MD2101X | MD2101X | MD2101XC* | | FA174 | FA174HH | MD2093 | MD2093C | |
| YZF 1000 R Thunderace | 97- | FA252* | FA252HH* | MD2074X | MD2074X | MD2074XC* | MD2074CC* | FA88 | FA88HH | MD2002 | MD2002C | |
| YZF R1 | 98-01 | FA252* | FA252HH* | MD2074X | MD2074X | MD2074XC* | MD2074CC* | FA267 | FA267HH | MD2086 | MD2086C | |
| YZF R1 | 02-03 | FA252* | FA252HH* | MD2074X | MD2074X | MD2074XC* | MD2074CC* | FA275 | FA275HH | MD2084 | MD2084C | |
| YZF R1 (5VV) | 04-06 | | FA380HH* | MD2094X | MD2094X | MD2094XC* | MD2094CC* | FA174 | FA174HH | MD2091 | MD2091C | |
| YZF-R1 LE | 06 | | FA380HH* | MD2112X | MD2112X | | | FA174 | FA174HH | MD2091 | | |
| YZF-R1 (6 piston caliper) | 07-08 | FA442/4* | FA442/4HH* | MD2102X | MD2102X | MD2102XC* | MD2102CC* | FA174 | FA174HH | MD2091 | MD2091C | |
| YZF-R1 (6 piston caliper) | 09-11 | FA442/4* | FA442/4HH* | MD2105X | MD2105X | MD2105XC* | | FA174 | FA174HH | MD2091 | MD2091C | |
| GTS 1000 AE/AEC/AF/AFC | 93-96 | FA191 | | N/A | | | | FA88 | FA88HH | MD2075 | | |
| FJ 1100 L/LC/N/NC | 84-85 | FA88* | FA88HH* | MD2068 | MD2068 | | | FA88 | FA88HH | MD2068 | | |
| XJ 1100 J | 82 | FA70* | | MD2024LS | MD2024RS | | | FA41 | | MD2025RS | | |
| XS 1100 E/F/G/H | 78-81 | FA34* | | MD2024LS | MD2024RS | | | FA34 | | MD2025RS | | |
| XS 1100 SF/SG/SH | Left 79-81 | FA61 | | MD2024LS | | | | FA34 | | MD2025RS | | |
| | Right | FA41 | | | MD2024RS | | | | | | | |
| XS 1100 LG Midnight Special | Left 80 | FA61 | | MD2024LS | | | | FA34 | | MD2025RS | | |
| | Right | FA41 | | | MD2024RS | | | | | | | |
| XS 1100 LH Midnight Special | 81 | FA70* | | MD2024LS | MD2024RS | | | FA41 | | MD2025RS | | |

All part numbers, prefixes and suffixes shown in this catalog are unique and form a registered copyright as the property of EBC Brakes and its UK trademark owners

* symbol after part# = 2 pieces reqd. i.e. 2 pad sets or 2 contour rotors

STREET BIKES

YAMAHA Contd.

| Year | FRONT | | | | | REAR | | | | | |
|---|------------|---------------|-----------------------|---------|------------------|-----------|------------|---------------|----------------|------------------|---------|
| | ORGANIC | SINTERED | OE REPLACEMENT ROTORS | | CONTOUR ROTOR | CUSTOM | ORGANIC | SINTERED | OE REPLACEMENT | CONTOUR ROTOR | CUSTOM |
| | PADS/SHOES | Double-H PADS | LEFT | RIGHT | (see Tech Pages) | ROTOR | PADS/SHOES | Double-H PADS | ROTOR | (see Tech Pages) | ROTOR |
| XV 1100 All models | 86-97 | FA88* | FA88HH* | MD2011 | MD2011 | MD2011C* | 515 | | | | |
| XVS 1100 V-Star L/LC/M/MC/N/NC/P/PC/R/RC/V/VC/T /T-F V-Star Custom | 99-08 | FA199* | FA199HH* | MD2076 | MD2076 | | FA88 | FA88HH | MD2092 | | |
| XVS 1100 AN/ANC/AP/APC V-Star Classic | 01-03 | FA199* | FA199HH* | MD2076 | MD2076 | | FA88 | FA88HH | MD2092 | | |
| XVS 1100 V-Star Silverado | 03 | FA199* | FA199HH* | MD2076 | MD2076 | | FA88 | FA88HH | MD2092 | | |
| XVS 1100 ATS/ATSC/ATW V-Star Silverado | 04-09 | FA199* | FA199HH* | MD2074X | MD2074X | MD2074XC* | MD2074CC* | FA88 | FA88HH | MD2092 | |
| XVS 1100 AS/ASC V-Star Classic | 04-09 | FA199* | FA199HH* | MD2074X | MD2074X | MD2074XC* | MD2074CC* | FA88 | FA88HH | MD2092 | |
| XVS 1100 W-M V-Star Custom Midnight | 07-08 | FA199* | FA199HH* | MD2076 | MD2076 | | FA88 | FA88HH | MD2092 | | |
| FJ 1200 S/SC/TTC | 86-87 | FA88* | FA88HH* | MD2068 | MD2068 | | FA88 | FA88HH | MD2068 | | |
| FJ 1200 W/WC | 89-90 | FA123* | FA123HH* | MD2001X | MD2001X | MD2001XC* | FA88 | FA88HH | MD2068 | | |
| FJ 1200 A/AC/B/BC/D/DC | 90-92 | FA123* | FA123HH* | MD2001X | MD2001X | MD2001XC* | FA88 | FA88HH | MD2068 | | |
| FJ 1200 AD/ADC/AE/AEC | 92-93 | FA160* | FA160HH* | MD2046 | MD2046 | | FA88 | FA88HH | MD2068 | | |
| XVZ 12 TK Venture | 83 | FA88* | FA88HH* | MD2081 | MD2081 | | FA88 | FA88HH | MD2081 | | |
| XVZ 12 L/KC2 Venture | 84 | FA88* | FA88HH* | MD2081 | MD2081 | | FA88 | FA88HH | MD2081 | | |
| XVZ 12 TDK/DL/DKC2 Venture Royale | 83-84 | FA88* | FA88HH* | MD2081 | MD2081 | | FA88 | FA88HH | MD2081 | | |
| XVZ 12 DN Venture Royale | 85 | FA88* | FA88HH* | MD2081 | MD2081 | | FA88 | FA88HH | MD2081 | | |
| V-MAX VMX 12 N/NC/S/SC/U/UC/W/WC/A/AC /B/BC/D/DC | 85-92 | FA88* | FA88HH* | MD2068 | MD2068 | | FA88 | | MD2068 | | |
| VMX 12 E/EC/FF/G/GC/H/HC/J/JC/K/KC/L/LC/M/MC /N/NC/P/PC/R/RC/S/SC/T/V/VW V-Max | 93-07 | FA160* | FA160HH* | MD2074X | MD2074X | MD2074XC* | MD2074CC* | FA88 | FA88HH | MD2068 | |
| FJR 1300 R/RC | 03 | FA252* | FA252HH* | MD2074X | MD2074X | MD2074XC* | MD2074CC* | FA319/2 | FA319/2HH | MD2092 | MD2092C |
| FJR 1300 S/RS/T | 04-05 | FA252* | FA252HH* | MD2089X | MD2089X | MD2089XC* | MD2089CC* | FA319/2 | FA319/2HH | MD2092 | MD2092C |
| FJR 1300 AV/AEV/AW/AEW/AX/AEX/AY/AEY/AZ/AA | 06-11 | | FA423/4HH* | MD2089X | MD2089X | MD2089XC* | MD2089CC* | FA319/2 | FA319/2HH | MD2092 | MD2092C |
| XVS 1300 V-Star 1300 Tourer | 07-11 | FA199* | FA199HH* | MD2074X | MD2074X | MD2074XC* | MD2074CC* | FA319/2 | FA319/2HH | MD2103 | |
| XVS 1300 V-Star | 07-11 | FA199* | FA199HH* | MD2074X | MD2074X | MD2074XC* | MD2074CC* | FA319/2 | FA319/2HH | MD2103 | |
| XVS 1300 Stryker | 11 | FA179 | FA179HH* | MD2101X | | MD2101XC | | FA319/2 | FA319/2HH | MD2114 | |
| XVZ 13 D Series Venture Royale | 86-93 | FA123* | FA123HH* | MD2096 | MD2096 | | FA123 | FA123HH | MD2049 | | |
| XVZ 13 T/TC/U/UC Venture | 87-88 | FA123* | FA123HH* | MD2096 | MD2096 | | FA123 | FA123HH | MD2049 | | |
| XVZ 1300 LTK Venture | 96-98 | FA123* | FA123HH* | MD2076 | MD2076 | | FA123 | FA123HH | MD2078 | | |
| XVZ 1300 Venture MM Limited Edition | 01 | FA123* | FA123HH* | MD2076 | MD2076 | | FA123 | FA123HH | MD2078 | | |
| XVZ 1300 Royal Star | 96-97/00 | FA123* | FA123HH* | MD2076 | MD2076 | | FA123 | FA123HH | MD2078 | | |
| XVZ 1300 Royal Star Boulevard | 99-01 | FA123* | FA123HH* | MD2076 | MD2076 | | FA123 | FA123HH | MD2078 | | |
| XVZ 1300 Royal Star Standard | 98 | FA123* | FA123HH* | MD2076 | MD2076 | | FA123 | FA123HH | MD2078 | | |
| XVZ 1300 Royal Star Venture | 99-07 | FA123* | FA123HH* | MD2076 | MD2076 | | FA123 | FA123HH | MD2078 | | |
| XVZ 1300 Royal Star Venture S | 08/10-11 | FA123* | FA123HH* | MD2076 | MD2076 | | FA123 | FA123HH | MD2078 | | |
| XVZ 1300 Royal Star Midnight Tour Deluxe | 06-07 | FA179* | FA179HH* | MD2076 | MD2076 | | FA123 | FA123HH | MD2078 | | |
| XVZ 1300 Royal Star Midnight Venture | 02-07 | FA179* | FA179HH* | MD2076 | MD2076 | | FA123 | FA123HH | MD2078 | | |
| XVZ 1300 Royal Star Tour Classic | 96-00 | FA123* | FA123HH* | MD2076 | MD2076 | | FA123 | FA123HH | MD2078 | | |
| XVZ 1300 Royal Star Tour Deluxe | 97-01 | FA123* | FA123HH* | MD2076 | MD2076 | | FA123 | FA123HH | MD2078 | | |
| XVZ 1300 Royal Star Tour Deluxe | 05-07 | FA179* | FA179HH* | MD2076 | MD2076 | | FA123 | FA123HH | MD2078 | | |
| XV 1600 Road Star | 01-05 | FA179* | FA179HH* | MD2076 | MD2076 | | FA123 | FA123HH | MD2088 | | |
| XV 1600 Road Star Silverado | 07-09 | FA179* | FA179HH* | MD2076 | MD2076 | | FA123 | FA123HH | MD2088 | | |
| XV 1600 Road Star Midnight | 03 | FA179* | FA179HH* | MD2076 | MD2076 | | FA123 | FA123HH | MD2088 | | |
| XV 1600 Midnight Star | 02-03 | FA179* | FA179HH* | MD2076 | MD2076 | | FA123 | FA123HH | MD2088 | | |
| VMX 1700 V-Max (6 piston radial caliper) | 09-11 | FA442/4* | FA442/4HH* | | | MD2109XC* | FA319/2 | FA319/2HH | | MD2108C | |
| XV 1700 Road Star (Spoke Wheels) | 06 | FA252* | FA252HH* | MD2076 | MD2076 | | > | FA123HH | MD2088 | | |
| XV 1700 Road Star (Cast wheel) | 04/07-11 | FA252* | FA252HH* | MD2074X | MD2074X | MD2074XC* | MD2074CC* | > | FA123HH | MD2088 | |
| XV 1700 Road Star S (Cast wheel) | 08-11 | FA252* | FA252HH* | MD2074X | MD2074X | MD2074XC* | MD2074CC* | > | FA123HH | MD2088 | |
| XV 1700 Road Star Midnight (Cast wheel) | 04-07 | FA252* | FA252HH* | MD2074X | MD2074X | MD2074XC* | MD2074CC* | > | FA123HH | MD2088 | |
| XV 1700 Road Star Midnight Silverado S (Cast wheel) | 04-07 | FA252* | FA252HH* | MD2074X | MD2074X | MD2074XC* | MD2074CC* | > | FA123HH | MD2088 | |
| XV 1700 Road Star Silverado S (Cast wheel) | 08-11 | FA252* | FA252HH* | MD2074X | MD2074X | MD2074XC* | MD2074CC* | > | FA123HH | MD2088 | |
| XV 1700 Road Star Warrior | 02 | FA252* | FA252HH* | MD2074X | MD2074X | MD2074XC* | MD2074CC* | FA319/2 | FA319/2HH | MD2088 | |
| XV 1700 Road Star Midnight Warrior | 05 | FA252* | FA252HH* | MD2082X | MD2082X | MD2082XC* | MD2082CC* | FA319/2 | FA319/2HH | MD2088 | |
| XV 1700 Road Star Midnight Warrior | 05 | FA252* | FA252HH* | MD2074X | MD2074X | MD2074XC* | MD2082CC* | FA319/2 | FA319/2HH | MD2088 | |
| XV 1900 Roadliner | 06-07 | FA252* | FA252HH* | MD2074X | MD2074X | MD2074XC* | MD2074CC* | FA319/2 | FA319/2HH | MD2099 | |
| XV 1900 Roadliner Midnight | 06-09 | FA252* | FA252HH* | MD2074X | MD2074X | MD2074XC* | MD2074CC* | FA319/2 | FA319/2HH | MD2099 | |
| XV 1900 Roadliner S | 06-10 | FA252* | FA252HH* | MD2074X | MD2074X | MD2074XC* | MD2074CC* | FA319/2 | FA319/2HH | MD2099 | |
| XV 1900 Raider | 08-11 | FA252* | FA252HH* | MD2082X | MD2082X | MD2082XC* | MD2082CC* | FA319/2 | FA319/2HH | MD2114 | |

All part numbers, prefixes and suffixes shown in this catalog are unique and form a registered copyright as the property of EBC Brakes and its UK trademark owners

* symbol after part # = 2 pieces reqd.
i.e. 2 pad sets or 2 contour rotors

PAD/SHOE/ROTOR Applications for NON JAPANESE STREET Bikes

NON-JAPANESE STREET BIKES

YAMAHA Contd.

| Year | FRONT | | | | | | REAR | | | | | |
|-----------------------------|--------------------|------------------------|-----------------------|---------|--------------------------------|--------------|--------------------|------------------------|----------------------|--------------------------------|--------------|--|
| | ORGANIC PADS/SHOES | SINTERED Double-H PADS | OE REPLACEMENT ROTORS | | CONTOUR ROTOR (see Tech Pages) | CUSTOM ROTOR | ORGANIC PADS/SHOES | SINTERED Double-H PADS | OE REPLACEMENT ROTOR | CONTOUR ROTOR (see Tech Pages) | CUSTOM ROTOR | |
| XV 1900 Raider S | 08-11 | FA252* | FA252HH* | MD2082X | MD2082X | MD2082XC* | MD2082CC* | FA319/2 | FA319/2HH | MD2114 | | |
| XV 1900 Stratoliner | 06-09 | FA252* | FA252HH* | MD2074X | MD2074X | MD2074XC* | MD2074CC* | FA319/2 | FA319/2HH | MD2099 | | |
| XV 1900 Stratoliner Midnite | 06-08 | FA252* | FA252HH* | MD2074X | MD2074X | MD2074XC* | MD2074CC* | FA319/2 | FA319/2HH | MD2099 | | |
| XV 1900 Stratoliner S | 06-11 | FA252* | FA252HH* | MD2074X | MD2074X | MD2074XC* | MD2074CC* | FA319/2 | FA319/2HH | MD2099 | | |
| XV 1900 Stratoliner Deluxe | 11 | FA252* | FA252HH* | MD2074X | MD2074X | MD2074XC* | MD2074CC* | FA319/2 | FA319/2HH | MD2099 | | |

ADLY

| | | | | | | | | | | | | |
|----------------------|-------|-------|---------|--------|--|--|--|------|--------|--------|--|--|
| Noble 50/Thunderbike | 07-09 | FA83 | FA83HH | TBA | | | | 503 | | | | |
| Panther 50 | 07-08 | FA83 | FA83HH | TBA | | | | 503 | | | | |
| Jet 50 | 07-09 | FA83 | FA83HH | TBA | | | | 503 | | | | |
| Fox 50 | 07-09 | FA169 | FA169HH | MD904D | | | | 503 | | | | |
| Thunderbike 150 | 07-09 | FA83 | FA83HH | MD923D | | | | FA83 | FA83HH | MD982D | | |

ALPHA SPORTS (SEE HYOSUNG)

APRILIA

| | | | | | | | | | | | | |
|---|-------|----------|------------|---------|---------|-----------|--|--------|---------|--------|--------|--|
| Mojito Custom 50 | 04-06 | FA193 | FA193HH | MD943D | | | | 817 | | | | |
| Mojito Retro 50 | 04-05 | FA193 | FA193HH | MD943D | | | | 817 | | | | |
| MX 50 | 04 | FA194 | FA194HH | MD6214D | | | | FA60 | | N/A | | |
| Rally 50 (Air Cooled) | 04-05 | FA193 | FA193HH | MD943D | | | | 893 | | | | |
| RS 50 Replica | 99-05 | FA194 | FA194HH | MD672LS | | | | FA60 | | MD664 | | |
| RX 50/RX 50 Racing | 04 | FA194 | FA194HH | MD6214D | | | | FA60 | | N/A | | |
| Scarabeo 50 Street (Drum rear) | 99-05 | FA193 | FA193HH | MD917D | | | | 893 | | | | |
| Scarabeo 50 Ditech (Rear rotor model) | 02-08 | FA193 | FA193HH | MD945D | | | | FA193 | FA193HH | MD943D | | |
| Sportcity 50 (4T) | 08-11 | FA353 | FA353HH | MD924D | | | | 816 | | | | |
| SR/R 50 Ditech | 99-11 | FA193 | FA193HH | MD943D | | | | FA193 | FA193HH | MD943D | | |
| Scarabeo 100 4T | 04-11 | FA193 | FA193HH | MD945D | | | | 816 | | | | |
| RS 125 | 06-11 | FA432 | FA432HH | | MD621X | MD621XC | | FA298 | FA298HH | MD664 | | |
| Atlantic 200 | 04-06 | FA324 | FA324HH | MD997D | | | | FA298 | FA298HH | MD996D | | |
| Scarabeo 125/250 GT | 04-05 | FA256 | FA256HH | MD952D | | | | FA298 | FA298HH | MD942D | | |
| Sportcity 125 (4T) | 08-11 | FA256 | FA256HH | MD952D | | | | 816 | | | | |
| Mojito Custom 150 | 05-09 | FA301 | FA301HH | MD943D | | | | 816 | | | | |
| Scarabeo 150 | 99-06 | FA256 | FA256HH | MD952D | | | | FA298 | FA298HH | MD942D | | |
| Scarabeo 200 | 08-11 | FA324 | FA324HH | MD952D | | | | FA298 | FA298HH | TBA | | |
| RS 250 | 99-03 | FA244* | FA244HH* | MD660LS | MD660RS | | | FA47 | FA47HH | MD665 | | |
| Scarabeo 250 | 06-08 | FA324 | FA324HH | MD952D | | | | FA298 | FA298HH | MD942D | | |
| Sport City 250 | 07-11 | FA256* | FA256HH* | MD952D | MD952D | | | FA298 | FA298HH | MD942D | | |
| Sport City Cube 250 | 08-09 | FA256 | FA256HH | MD952D | | | | FA298 | FA298HH | MD942D | | |
| SVX 4.5/5.5 (450/550) (Radial mount caliper) | 06-11 | | MXS405 | TBA | | | | FA367X | MXS367 | TBA | | |
| Atlantic 500 ie | 03-05 | FA256* | FA256HH* | MD952D | MD952D | | | FA298 | FA298HH | MD990D | | |
| Scarabeo 500/ie | 03-11 | FA256* | FA256HH* | MD952D | MD952D | | | FA298 | FA298HH | MD990D | | |
| Shiver SL 750 | 07-11 | FA432* | FA432HH* | MD621X | MD621X | MD621XC* | | FA213 | FA213HH | TBA | | |
| Mana 850 | 08-11 | FA432* | FA432HH* | MD621X | MD621X | MD621XC* | | FA256 | FA256HH | TBA | | |
| Mana 850 Parking brake | 08-11 | FA257/2 | | | | | | | | | | |
| Mana 850 GT ABS | 09-11 | FA432* | FA432HH* | TBA | TBA | | | FA256 | FA256HH | TBA | | |
| Mana 850 GT ABS Parking brake | 09-11 | FA257/2 | | | | | | | | | | |
| RSV 1000 Mille /SP | 98-01 | FA244* | FA244HH* | MD666X | MD666X | MD666XC* | | FA266 | FA266HH | MD613 | MD613C | |
| RSV Mille R/1000 Mille (inc Radial Mount Caliper) | 01-03 | | FA322/4HH* | MD621X | MD621X | MD621XC* | | FA266 | FA266HH | MD613 | MD613C | |
| RSV 1000 R Factory/R | 04-11 | | FA322/4HH* | MD621X | MD621X | MD621XC* | | FA266 | FA266HH | MD613 | MD613C | |
| RSV Tuono (Standard Caliper) | 02-05 | FA244* | FA244HH* | MD621X | MD621X | MD621XC* | | FA266 | FA266HH | MD613 | MD613C | |
| RSV Tuono R/Factory R (Radial Caliper) | 02-10 | | FA322/4HH* | MD621X | MD621X | MD621XC* | | FA266 | FA266HH | MD613 | MD613C | |
| RSV4 R | 09-11 | | FA447HH | TBA | TBA | | | FA266 | FA266HH | TBA | | |
| RSV4 Factory | 09-11 | | FA447HH* | TBA | TBA | | | FA266 | FA266HH | TBA | | |
| SL 1000 Falco | 00-05 | FA244* | FA244HH* | MD666X | MD666X | MD666XC* | | FA266 | FA266HH | MD613 | MD613C | |
| ETV 1000 Caponord (All models) | 01-08 | FA209/2* | FA209/2HH* | TBA | TBA | | | FA266 | FA266HH | TBA | | |
| RST Futura 1000 | 01-05 | FA244* | FA244HH* | MD2001X | MD2001X | MD2001XC* | | FA181 | FA181HH | MD697 | | |

PAD/SHOE/ROTOR Applications for NON JAPANESE STREET Bikes

NON-JAPANESE STREET BIKES

ARGO

| Year | FRONT | | | | | REAR | | | | | |
|-------|--------------------|------------------------|-----------------------|-----|--------------------------------|--------------|--------------------|------------------------|----------------------|--------------------------------|--------------|
| | ORGANIC PADS/SHOES | SINTERED Double-H PADS | OE REPLACEMENT ROTORS | | CONTOUR ROTOR (see Tech Pages) | CUSTOM ROTOR | ORGANIC PADS/SHOES | SINTERED Double-H PADS | OE REPLACEMENT ROTOR | CONTOUR ROTOR (see Tech Pages) | CUSTOM ROTOR |
| 07-08 | TBA | | | | | | TBA | | N/A | | |
| 07-08 | TBA | | | N/A | | | TBA | | N/A | | |

BAJAJ

| | | | | | | | | | | | |
|-------|-----|--|--|--|--|--|-----|--|--|--|--|
| 04-08 | TBA | | | | | | TBA | | | | |
|-------|-----|--|--|--|--|--|-----|--|--|--|--|

BETA

| | | | | | | | | | | | |
|-------|-------|---------|--------|--|--|--|-------|---------|--------|--|--|
| 02-03 | FA115 | FA115HH | MD901D | | | | FA115 | FA115HH | MD901D | | |
| 04 | FA47 | FA47HH | N/A | | | | FA298 | | N/A | | |

BMW

| | | | | | | | | | | | |
|-------------|---------|-----------|---------|---------|--|--|-------|---------|--------|--|--|
| 99-03 | FA209/2 | FA209/2HH | MD968D | | | | FA213 | FA213HH | MD968D | | |
| 01-03 | FA209/2 | FA209/2HH | MD968D | | | | FA213 | FA213HH | MD968D | | |
| 09-11 | FA244* | FA244HH* | MD823 | MD823 | | | FA213 | FA213HH | MD671 | | |
| 06-08 | FA244* | FA244HH* | MD803 | MD803 | | | FA213 | FA213HH | MD671 | | |
| 09-11 | FA244* | FA244HH* | MD823 | MD823 | | | FA213 | FA213HH | MD671 | | |
| 08-11 | | FA447HH* | MD823 | MD823 | | | FA363 | FA363HH | MD671 | | |
| 84-08/88 | FA18* | FA18HH* | MD604LS | MD604RS | | | 861 | | | | |
| 84-07/90 | FA18* | FA18HH* | MD603LS | MD603RS | | | 861 | | | | |
| 09/88-96 | FA171* | FA171HH* | MD604LS | MD604RS | | | 861 | | | | |
| 08/90-96 | FA171* | FA171HH* | MD603LS | MD603RS | | | FA18 | FA18HH | MD611 | | |
| 85-08/88 | FA18* | FA18HH* | MD604LS | MD604RS | | | 861 | | | | |
| 09/88-02/88 | FA171* | FA171HH* | MD604LS | MD604RS | | | 861 | | | | |
| 89-96 | FA171* | FA171HH* | MD604LS | MD604RS | | | FA18 | FA18HH | MD611 | | |
| 89-96 | FA171* | FA171HH* | MD603LS | MD603RS | | | FA18 | FA18HH | MD661 | | |
| 85-09/88 | FA18* | FA18HH* | MD604LS | MD604RS | | | FA18 | FA18HH | MD611 | | |
| 09/88-95 | FA171* | FA171HH* | MD604LS | MD604RS | | | FA18 | FA18HH | MD611 | | |
| 85-09/88 | FA18* | FA18HH* | MD603LS | MD603RS | | | FA18 | FA18HH | MD661 | | |
| 09/88-95 | FA171* | FA171HH* | MD603LS | MD603RS | | | FA18 | FA18HH | MD661 | | |
| 82-09/88 | FA18* | FA18HH* | MD604LS | MD604RS | | | FA18 | FA18HH | MD611 | | |
| 87-08/88 | FA18* | FA18HH* | MD604LS | MD604RS | | | FA18 | FA18HH | MD611 | | |
| 09/88-90 | FA171* | FA171HH* | MD604LS | MD604RS | | | FA18 | FA18HH | MD611 | | |
| 87-08/88 | FA18* | FA18HH* | MD603LS | MD603RS | | | FA18 | FA18HH | MD661 | | |
| 09/88-90 | FA171* | FA171HH* | MD603LS | MD603RS | | | FA18 | FA18HH | MD661 | | |
| 86-08/88 | FA18* | FA18HH* | MD604LS | MD604RS | | | FA18 | FA18HH | MD611 | | |
| 09/88-91 | FA171* | FA171HH* | MD604LS | MD604RS | | | FA18 | FA18HH | MD611 | | |
| 86/-8/88 | FA18* | FA18HH* | MD603LS | MD603RS | | | FA18 | FA18HH | MD661 | | |
| 09/88-91 | FA171* | FA171HH* | MD603LS | MD603RS | | | FA18 | FA18HH | MD661 | | |
| 83-09/88 | FA18* | FA18HH* | MD604LS | MD604RS | | | FA18 | FA18HH | MD611 | | |
| 10/88-89 | FA171* | FA171HH* | MD604LS | MD604RS | | | FA18 | FA18HH | MD611 | | |
| 83-09/88 | FA18* | FA18HH* | MD603LS | MD603RS | | | FA18 | FA18HH | MD661 | | |
| 10/88-89 | FA171* | FA171HH* | MD603LS | MD603RS | | | FA18 | FA18HH | MD661 | | |
| 83-09/88 | FA18* | FA18HH* | MD604LS | MD604RS | | | FA18 | FA18HH | MD661 | | |
| 83-09/88 | FA171* | FA171HH* | MD604LS | MD604RS | | | FA18 | FA18HH | MD661 | | |
| 83-09/88 | FA18* | FA18HH* | MD603LS | MD603RS | | | FA18 | FA18HH | MD661 | | |
| 10/88-89 | FA171* | FA171HH* | MD603LS | MD603RS | | | FA18 | FA18HH | MD661 | | |
| 89-92 | FA407* | FA407HH* | MD607LS | MD607RS | | | FA18 | FA18HH | MD611 | | |
| 89-92 | FA407* | FA407HH* | MD607LS | MD607RS | | | FA18 | FA18HH | MD661 | | |
| 88-93 | FA407* | FA407HH* | MD607LS | MD607RS | | | FA18 | FA18HH | MD611 | | |
| 88-93 | FA407* | FA407HH* | MD607LS | MD607RS | | | FA18 | FA18HH | MD661 | | |
| 89-07/93 | FA407* | FA407HH* | MD607LS | MD607RS | | | FA18 | FA18HH | MD611 | | |
| 89-07/93 | FA407* | FA407HH* | MD607LS | MD607RS | | | FA18 | FA18HH | MD661 | | |
| 08/93-99 | FA407* | FA407HH* | MD607LS | MD607RS | | | FA18 | FA18HH | MD661 | | |
| 08/93-99 | FA407* | FA407HH* | MD607LS | MD607RS | | | FA18 | FA18HH | MD661 | | |
| 92-96 | FA407* | FA407HH* | MD607LS | MD607RS | | | FA18 | FA18HH | MD661 | | |
| 92-96 | FA407* | FA407HH* | MD607LS | MD607RS | | | FA18 | FA18HH | MD661 | | |

IMPORTANT NOTE

① - remove rotor outer ring from centre casting and refit. ② - remove ABS ring from old rotor and refit to new EBC rotor.
Note: Ensure all mounting surfaces are clean and when refitting bolts use a thread lock cement to hold them in place.

All part numbers, prefixes and suffixes shown in this catalog are unique and form a registered copyright as the property of EBC Brakes and its UK trademark owners

* symbol after part# = 2 pieces reqd.
i.e. 2 pad sets or 2 contour rotors

PAD/SHOE/ROTOR Applications for NON JAPANESE STREET Bikes

NON-JAPANESE STREET BIKES

BMW Contd.

| Year | FRONT | | | | | REAR | | | | | | |
|---|--------------------|------------------------|-----------------------|---------|--------------------------------|--------------|--------------------|------------------------|----------------------|--------------------------------|--------------|--|
| | ORGANIC PADS/SHOES | SINTERED Double-H PADS | OE REPLACEMENT ROTORS | | CONTOUR ROTOR (see Tech Pages) | CUSTOM ROTOR | ORGANIC PADS/SHOES | SINTERED Double-H PADS | OE REPLACEMENT ROTOR | CONTOUR ROTOR (see Tech Pages) | CUSTOM ROTOR | |
| | | | LEFT | RIGHT | | | | | | | | |
| K 1200 RS (Non ABS & ABS Models) | 96-00 | FA407* | FA407HH* | MD652ⓐ | MD652ⓐ | | | FA18 | FA18HH | MD661ⓐ | | |
| K 1200 RS (With & Without Integral ABS) | 01-05 | | FA335HH* | MD620ⓐ | MD620ⓐ | | | FA18 | FA18HH | MD661ⓐ | | |
| K 1200 LT (Integral ABS & STD ABS Models) | 97-10/00 | FA407* | FA407HH* | MD652ⓐ | MD652ⓐ | | | FA304 | FA304HH | MD615ⓐ | | |
| K 1200 LT (Evo-Integral ABS) | 11/00-09 | | FA294HH* | MD616ⓐ | MD616ⓐ | | | FA304 | FA304HH | MD615ⓐ | | |
| K 1200 GT (2 pin rear pad K41) Disc has loose bobbins | 03-06 | | FA335HH* | MD620ⓐ | MD620ⓐ | | | FA18 | FA18HH | MD661ⓐ | | |
| K 1200 GT (K44) Disc has fixed bobbins | Left 06-08 | | FA335HH | MD830 | | | | | FA438HH | MD688 | | |
| | Right | | FA441HH | | MD830 | | | | | | | |
| K 1200 GT (K44) (Single pad fixing - pad has wire indicator wire fitted. Wear leads need to be ordered separately as not supplied with pads.) | 06-08 | MWL001 | | | | | | MWL002 | | | | |
| K 1200 (K27 / 0378) Disc has loose buttons | 11/05-11/07 | | FA294HH* | MD804 | MD804 | | | FA363 | FA363HH | MD671 | | |
| K 1200 R (K27 / 0378) Disc has fixed bobbins | 12/07-10 | | FA294HH* | MD824 | MD824 | | | FA363 | FA363HH | MD671 | | |
| K 1200 S With loose bobbins | 03-11/07 | | FA335HH* | MD620 | MD620 | | | FA363 | FA363HH | MD671 | | |
| K 1200 S With fixed bobbins | 12/07-08 | | FA335HH* | MD830 | MD830 | | | FA363 | FA363HH | MD671 | | |
| K 1300 S | 09-11 | | FA335HH* | MD830 | MD830 | | | FA363 | FA363HH | MD671 | | |
| K 1300 R | 09-11 | | FA294HH* | MD826 | MD826 | | | FA363 | FA363HH | MD671 | | |
| K 1300 GT (Touring) | 09-11 | | FA335HH* | MD830 | MD830 | | | FA363 | FA363HH | MD688 | | |
| K 1600 GT | 11 | | FA294HH* | MD826 | MD826 | | | FA363 | FA363HH | TBA | | |
| K 1600 GTL | 11 | | FA294HH* | MD826 | MD826 | | | FA363 | FA363HH | TBA | | |
| R 45/45 N (Single rotor with ATE caliper) | 78-09/80 | FA57 | | MD606LS | | | | 860 | | | | |
| R 45/45 N (Twin rotor with ATE caliper) | 8-09/80 | FA57* | | MD606LS | MD606RS | | | 860 | | | | |
| R 45/45 N (Single rotor with ATE caliper) | 10/80-85 | FA57 | | MD606LS | | | | 861 | | | | |
| R 45/45 N (Twin rotor with ATE caliper) | 10/80-85 | FA57* | | MD606LS | MD606RS | | | 861 | | | | |
| R 45/45 N (Single rotor with Brembo caliper) | 78-90/80 | FA18 | FA18HH | MD606LS | | | | 860 | | | | |
| R 45/45 N (Twin rotor with Brembo caliper) | 78-90/80 | FA18* | FA18HH* | MD606LS | MD606RS | | | 860 | | | | |
| R 45/45 N (Single rotor with Brembo caliper) | 10/80-85 | FA18* | FA18HH* | MD606LS | | | | 861 | | | | |
| R 45/45 N (Twin rotor with Brembo calipers) | 10/80-85 | FA18* | FA18HH* | MD606LS | MD606RS | | | 861 | | | | |
| R 45 T | 80-85 | FA57 | | MD606LS | | | | 861 | | | | |
| R 50/5 / 60/5 / 60/6 / 75/5 | 69-76 | 864 | | | | | | 860 | | | | |
| R 60/7 (Single rotor) | 76-80 | FA22 | | MD602LS | | | | 860 | | | | |
| R 60/7 (Double rotor model) | 76-80 | FA22* | | MD602LS | MD602RS | | | 860 | | | | |
| R 60 TIC (Single rotor) | 78-82 | FA22 | | MD602LS | | | | 860 | | | | |
| R 60 TIC (Double rotor model) | 78-82 | FA22* | | MD602LS | MD602RS | | | 860 | | | | |
| R 65 (Single rotor) | 07/88-08/89 | FA77 | | N/A | | | | 861 | | | | |
| R 65 (Double rotor model) | 07/88-08/89 | FA18* | FA18HH* | MD605LS | MD605RS | | | 861 | | | | |
| R 65 GS | 87-92 | FA18 | FA18HH | | MD606RS | | | 861 | | | | |
| R 65 LS | 81-85 | FA57* | | MD606LS | MD606RS | | | 862 | | | | |
| R 65 LS (Brembo caliper) | 81-85 | FA18* | FA18HH* | MD606LS | MD606RS | | | 862 | | | | |
| R 65 RT | 85-88 | FA18* | FA18HH* | MD605LS | MD605RS | | | 861 | | | | |
| R 65 T | 80-85 | FA57 | | MD606LS | | | | 861 | | | | |
| R 65 T (Brembo caliper) | 80-85 | FA18 | FA18HH | MD606LS | | | | 861 | | | | |
| R 75/6 (Single rotor) 75/7 | 73-79 | FA22 | | MD602LS | | | | 860 | | | | |
| R 75/6 (Twin rotor) 75/7 | 73-79 | FA22* | | MD602LS | MD602RS | | | 860 | | | | |
| R 80 (Single rotor) | 77-09/80 | FA22 | | MD602LS | | | | 860 | | | | |
| R 80 (Double rotor) | 77-09/80 | FA22* | | MD602LS | MD602RS | | | 860 | | | | |
| R 80 (Single rotor) | 10/80-84 | FA22 | | MD602LS | | | | 861 | | | | |
| R 80 (Double rotor) | 10/80-84 | FA22* | | MD602LS | MD602RS | | | 861 | | | | |
| R 80/R 80 RT (Single rotor) | 84-07/90 | FA77 | | N/A | | | | 861 | | | | |
| R 80 RT (Double rotor) | 82-84 | FA18* | FA18HH* | MD602LS | MD602RS | | | 861 | | | | |
| R 80/R 80 RT (Double rotor) | 84-08/88 | FA18* | FA18HH* | MD605LS | MD605RS | | | 861 | | | | |
| R 80/R 80 RT (Single rotor) | 08/90-95 | FA77 | | | MD605RS | | | 861 | | | | |
| R 80/R 80 RT (Double rotor) | 09/88-95 | FA171* | FA171HH* | MD605LS | MD605RS | | | 859 | | | | |
| R 80 ST | 82-84 | FA18 | FA18HH | | MD606RS | | | 861 | | | | |
| R 80 TIC | 78-08/80 | FA22* | | MD602LS | MD602RS | | | 860 | | | | |
| R 80 TIC | 09/80-85 | FA18* | FA18HH* | MD602LS | MD602RS | | | 861 | | | | |
| R 80 Mystic | 94-95 | FA407* | FA407HH* | MD605LS | MD605RS | | | 859 | | | | |

IMPORTANT NOTE

ⓐ - remove rotor outer ring from centre casting and refit. ⓑ - remove ABS ring from old rotor and refit to new EBC rotor.
 Note: Ensure all mounting surfaces are clean and when refitting bolts use a thread lock cement to hold them in place.

All part numbers, prefixes and suffixes shown in this catalog are unique and form a registered copyright as the property of EBC Brakes and its UK trademark owners

* symbol after part# = 2 pieces reqd.
 i.e. 2 pad sets or 2 contour rotors

PAD/SHOE/ROTOR Applications for NON JAPANESE STREET Bikes

NON-JAPANESE STREET BIKES

BMW Contd.

| Year | FRONT | | | | | REAR | | | | | | |
|---|-------------|---------------|-----------------------|----------|------------------|---------|------------|---------------|----------------|------------------|--------|--|
| | ORGANIC | SINTERED | OE REPLACEMENT ROTORS | | CONTOUR ROTOR | CUSTOM | ORGANIC | SINTERED | OE REPLACEMENT | CONTOUR ROTOR | CUSTOM | |
| | PADS/SHOES | Double-H PADS | LEFT | RIGHT | (see Tech Pages) | ROTOR | PADS/SHOES | Double-H PADS | ROTOR | (see Tech Pages) | ROTOR | |
| R 80 R | 91-94 | FA407* | FA407HH* | MD605LS | MD605RS | | | 859 | | | | |
| R 850 C (Cast wheel/ABS) | 97-00 | FA407* | FA407HH* | MD652⓪ | MD652⓪ | MD652C* | FA363 | FA363HH | N/A | | | |
| R 850 C (Spoke wheel/ABS) | 97-00 | FA407* | FA407HH* | MD652⓪ | MD652⓪ | MD652C* | FA363 | FA363HH | N/A | | | |
| R 850 R (Cast wheel/ABS) | 94-02 | FA407* | FA407HH* | MD607LS⓪ | MD607RS⓪ | | FA363 | FA363HH | MD653⓪ | | | |
| R 850 R (Spoke wheel) | 94-05/96 | FA407* | FA407HH* | MD652 | MD652 | MD652C* | FA363 | FA363HH | MD653 | MD653C | | |
| R 850 RT (Cast wheel/ABS) | 96-01 | FA407* | FA407HH* | MD607LS⓪ | MD607RS⓪ | | FA363 | FA363HH | MD653⓪ | | | |
| R 850 RT (Spoke wheel) | 96-01 | FA407* | FA407HH* | MD652 | MD652 | MD652C* | FA363 | FA363HH | MD653 | MD653C | | |
| R 850 RT | 06 | | FA335HH* | MD620 | MD620 | | FA363 | FA363HH | MD653 | | | |
| R 850 R | 03-06 | | FA294HH* | MD616 | MD616 | | FA363 | FA363HH | MD653 | | | |
| R 90 S | 73-76 | FA22* | | MD602LS | MD602RS | | 860 | | | | | |
| R 90/6 (Single rotor) | 73-76 | FA22 | | MD602LS | | | 860 | | | | | |
| R 90/6 (Twin rotor) | 73-76 | FA22* | | MD602LS | MD602RS | | 860 | | | | | |
| R 100 (Single rotor) | 76-77 | FA22 | | MD602LS | | | 860 | | | | | |
| R 100 (Twin rotor) | 76-77 | FA22* | | MD602LS | MD602RS | | 860 | | | | | |
| R 100 GS | 86-94 | FA77 | | | MD605RS | | 859 | | | | | |
| R 100 PD | 89-96 | FA77 | | | MD605RS | | 859 | | | | | |
| R 100/7T (Single rotor) | 77-09/80 | FA22 | | MD602LS | | | 860 | | | | | |
| R 100/7T (Twin rotor) | 77-09/80 | FA22* | | MD602LS | MD602RS | | 860 | | | | | |
| R 100/7T (Spoke wheel) | 09/80-84 | FA18* | FA18HH* | MD606LS | MD606RS | | 861 | | | | | |
| R 100/7T (Cast wheel) | 09/80-84 | FA18* | FA18HH* | MD602LS | MD602RS | | 861 | | | | | |
| R 100 S | 76-08/80 | FA22* | | MD602LS | MD602RS | | 860 | | | | | |
| R 100 S | 09/80-80 | FA18* | FA18HH* | MD602LS | MD602RS | | FA18 | FA18HH | MD602LS | | | |
| R 100 RS | 76-09/80 | FA22* | | MD602LS | MD602RS | | 860 | | | | | |
| R 100 RS | 10/80-84 | FA18* | FA18HH* | MD602LS | MD602RS | | FA18 | FA18HH | MD602LS | | | |
| R 100 RS | 86-08/88 | FA18* | FA18HH* | MD605LS | MD605RS | | 861 | | | | | |
| R 100 RS | 09/88-08/89 | FA171* | FA171HH* | MD605LS | MD605RS | | 861 | | | | | |
| R 100 RS | 9/9-92 | FA171* | FA171HH* | MD605LS | MD605RS | | 859 | | | | | |
| R 100 RT | 78-09/80 | FA22* | | MD602LS | MD602RS | | 860 | | | | | |
| R 100 RT | 10/80-84 | FA18* | FA18HH* | MD602LS | MD602RS | | FA18 | FA18HH | MD602LS | | | |
| R 100 RT | 87-08/88 | FA18* | FA18HH* | MD605LS | MD605RS | | 861 | | | | | |
| R 100 RT | 09/88-08/89 | FA171* | FA171HH* | MD605LS | MD605RS | | 861 | | | | | |
| R 100 RT | 09/89-95 | FA171* | FA171HH* | MD605LS | MD605RS | | 859 | | | | | |
| R 100 Mystic | 93-96 | FA407* | FA407HH* | MD605LS | MD605RS | | 859 | | | | | |
| R 100 R | 91-95 | FA407* | FA407HH* | MD605LS | MD605RS | | 859 | | | | | |
| R 1100 GS (STD & ABS) | 93-99 | FA407* | FA407HH* | MD652⓪ | MD652⓪ | MD652C* | FA363 | FA363HH | MD653⓪ | MD653C | | |
| R 1100 R (Spoke wheel) | 93-05/96 | FA407* | FA407HH* | MD652 | MD652 | MD652C* | FA363 | FA363HH | MD653 | MD653C | | |
| R 1100 R (Spoke wheel) | 06/96 | FA407* | FA407HH* | MD652 | MD652 | MD652C* | FA363 | FA363H | MD653 | MD653C | | |
| R 1100 R (Cast wheel) | 93-01 | FA407* | FA407HH* | MD607LS | MD607RS | | FA363 | FA363HH | MD653⓪ | | | |
| R 1100 RS | 92-01 | FA407* | FA407HH* | MD607LS | MD607RS | | FA18 | FA18HH | MD661 | | | |
| R 1100 S | 96-11/00 | FA407* | FA407HH* | MD687 | MD687 | | FA363 | FA363HH | MD653 | MD653C | | |
| R 1100 S (With integral ABS) | 12/00-06 | | FA294HH* | MD616⓪ | MD616⓪ | | FA363 | FA363HH | MD653⓪ | | | |
| R 1100 S (Non ABS) | 12/00-06 | | FA335HH* | MD803 | MD803 | | FA363 | FA363HH | MD653 | | | |
| R 1100 S (With Integral ABS) | 02/01-06 | | FA294HH* | MD616⓪ | MD616⓪ | | FA363 | FA363HH | MD653⓪ | | | |
| R 1100 RT (Cast wheel/ABS) | 94-01 | FA407* | FA407HH* | MD607LS⓪ | MD607RS⓪ | | FA363 | FA363HH | MD653⓪ | | | |
| R 1100 RT (Spoke wheel) | 94-01 | FA407* | FA407HH* | MD652 | MD652 | MD652C* | FA363 | FA363HH | MD653 | MD653C | | |
| R 1150 R | 01-06 | | FA294HH* | MD616 | MD616 | | FA363 | FA363HH | MD653 | | | |
| R 1150 R Rockster/Edition 80 | 03-05 | | FA294HH* | MD616 | MD616 | | FA363 | FA363HH | MD653 | | | |
| R 1150 RS (Integral ABS) | 01-04 | | FA294HH* | MD616⓪ | MD616⓪ | | FA363 | FA363HH | MD653⓪ | | | |
| R 1150 RT (Integral ABS) | 00-05 | | FA335HH* | MD620⓪ | MD620⓪ | | FA363 | FA363HH | MD653⓪ | | | |
| R 1200 (Independence) | 00-03 | FA407* | FA407HH* | MD652 | MD652 | MD652C* | FA363 | FA363HH | N/A | | | |
| R 1200 C (Cast Wheel/ABS) | 96-03 | FA407* | FA407HH* | MD652⓪ | MD652⓪ | MD652C* | FA363 | FA363HH | N/A | | | |
| R 1200 C (Spoke Wheel/ABS) | 96-03 | FA407* | FA407HH* | MD652⓪ | MD652⓪ | MD652C* | FA363 | FA363HH | N/A | | | |
| R 1200 CL | 03-04 | | FA294HH* | MD652⓪ | MD652⓪ | MD652C* | FA304 | FA304HH | N/A | | | |
| R 1200 C Montauk | 04-05 | | FA294HH* | MD652⓪ | MD652⓪ | MD652C* | FA304 | FA304HH | N/A | | | |
| R 1200 ST (K28 / 0328) Disc has loose bobbins | 03-11/07 | | FA335HH* | MD803 | MD803 | | FA363 | FA363HH | MD671 | | | |
| R 1200 ST (K28 / 0328) Disc has fixed bobbins | 12/07-08 | | FA335HH* | MD823 | MD823 | | FA363 | FA363HH | MD671 | | | |

IMPORTANT NOTE

⓪ - remove rotor outer ring from centre casting and refit. ⓪ - remove ABS ring from old rotor and refit to new EBC rotor.

Note: Ensure all mounting surfaces are clean and when refitting bolts use a thread lock cement to hold them in place.

All part numbers, prefixes and suffixes shown in this catalog are unique and form a registered copyright as the property of EBC Brakes and its UK trademark owners

* symbol after part# = 2 pieces reqd.
i.e. 2 pad sets or 2 contour rotors

PAD/SHOE/ROTOR Applications for NON JAPANESE STREET Bikes

NON-JAPANESE STREET BIKES

BMW Contd.

| Year | FRONT | | | | | REAR | | | | | |
|---|--------------------|------------------------|-----------------------|-------|--------------------------------|--------------|--------------------|------------------------|----------------------|--------------------------------|--------------|
| | ORGANIC PADS/SHOES | SINTERED Double-H PADS | OE REPLACEMENT ROTORS | | CONTOUR ROTOR (see Tech Pages) | CUSTOM ROTOR | ORGANIC PADS/SHOES | SINTERED Double-H PADS | OE REPLACEMENT ROTOR | CONTOUR ROTOR (see Tech Pages) | CUSTOM ROTOR |
| R 1200 R (K27) | 06-08 | FA294HH* | MD804 | MD804 | | | FA363 | FA363HH | MD671 | | |
| R 1200 S (K29 / 0366) Disc Has Loose Bobbins | 06-11/07 | FA335HH* | MD803 | MD803 | | | FA363 | FA363HH | MD671 | | |
| R 1200 S (K29 / 0366) Disc Has Fixed Bobbins | 12/07-10 | FA335HH* | MD823 | MD823 | | | FA363 | FA363HH | MD671 | | |
| R 1200 RT (K26 / 0368) Disc Has Loose Bobbins | 03-11/07 | FA335HH* | MD803 | MD803 | | | FA363 | FA363HH | MD671 | | |
| R 1200 RT (K26/0368) Disc Has Fixed Bobbins | 12/07 - 09 | FA335HH* | MD826 | MD826 | | | FA363 | FA363HH | MD671 | | |
| S 1000 RR | 10-11 | FA604/4HH* | MD826 | MD826 | | | FA213 | FA213HH | MD832 | | |

IMPORTANT NOTE

① - remove rotor outer ring from centre casting and refit. ② - remove ABS ring from old rotor and refit to new EBC rotor.
 Note: Ensure all mounting surfaces are clean and when refitting bolts use a thread lock cement to hold them in place.

CAGIVA

| | | | | | | | | | | | |
|---------------------------|-------|--------|----------|---------|---------|--|----------|---------|---------|--|--|
| Mito 125 | 92-02 | FA95 | FA95HH | | MD614X | | FA47 | FA47HH | MD638 | | |
| Alazzurra 650/Elefant 650 | 85-86 | FA47 | FA47HH | N/A | | | FA47 | FA47HH | N/A | | |
| Elefant 650 | 86-87 | FA120 | | MD6265D | | | FA163 | | MD6259D | | |
| Raptor 650/V-Raptor 650 | 00-02 | FA244* | FA244HH* | MD660LS | MD660RS | | FA266 | FA266HH | MD617 | | |
| Gran Canyon 900 | 99-00 | FA142* | FA142HH* | N/A | N/A | | FA165/2X | | MD6160D | | |
| Raptor 1000/V-Raptor 1000 | 00-02 | FA244* | FA244HH* | MD660LS | MD660RS | | FA266 | FA266HH | MD617 | | |

CPI

| | | | | | | | | | | | |
|----------------|-------|-------|---------|-----|--|--|-------|---------|-----|--|--|
| Oliver City 50 | 05-09 | FA235 | | N/A | | | 503 | | | | |
| GTR 50 | 05-09 | FA194 | FA194HH | N/A | | | FA260 | FA260HH | N/A | | |
| GTR 150/180 | 05-09 | FA194 | FA194HH | N/A | | | FA260 | FA260HH | N/A | | |

DAELIM

| | | | | | | | | | | | |
|---------------|-------|--------|----------|-----|-----|--|-------|---------|-------|--|--|
| A-Four (50cc) | 06-08 | FA264 | | N/A | | | TBA | | | | |
| E-Five 50 | 03-09 | FA257 | | TBA | | | TBA | | | | |
| S-Five 50 | 01-09 | FA257 | | TBA | | | TBA | | | | |
| Cordi 50 | 01-09 | FA54X | FA54HH | N/A | | | TBA | | | | |
| Delfino 100 | 01-09 | FA257 | | TBA | | | TBA | | | | |
| Daystar 125 | 03-09 | FA196 | FA196HH | | N/A | | 824 | | | | |
| History 125 | 01-08 | FA54X | FA54HH | | N/A | | FA54X | FA54HH | N/A | | |
| Roadwin 125 | 04-09 | FA196 | FA196HH | N/A | | | FA197 | FA197HH | MD814 | | |
| S1-125 | 06-09 | FA283* | FA283HH* | TBA | | | FA54 | FA54HH | TBA | | |
| S2-125 | 06-09 | FA142 | FA142HH | | TBA | | FA197 | FA197HH | TBA | | |
| S2-250 | 06-09 | FA142 | FA142HH | TBA | | | FA197 | FA197HH | TBA | | |

DERBI

| | | | | | | | | | | | |
|-------------------------------|-------|-------|---------|--------|--|--|-------|---------|--------|--|--|
| Atlantis 50 (All models) | 99-01 | FA115 | FA115HH | MD943D | | | 624 | | | | |
| Predator | 99-01 | FA115 | FA115HH | MD964D | | | FA115 | FA115HH | MD964D | | |
| Senda R 50 | 02-05 | FA115 | FA115R | N/A | | | FA115 | FA115R | N/A | | |
| Senda Supermoto | 04-05 | FA115 | FA115R | N/A | | | FA115 | FA115R | N/A | | |
| GP1 50 | 02-06 | FA115 | FA115HH | MD943D | | | 624 | | | | |
| GPR 50 Replica | 03-05 | FA167 | FA167HH | N/A | | | FA115 | FA115HH | N/A | | |
| GPR 50 Nude | 04-05 | FA266 | FA266HH | N/A | | | FA115 | FA115HH | N/A | | |
| GRP 80 Cup | 05 | FA266 | FA266HH | N/A | | | FA115 | FA115HH | N/A | | |
| GPR 125/Nude (Radial Caliper) | 05-06 | FA399 | | N/A | | | FA115 | | N/A | | |
| Atlantis Bullet/City | 02-05 | FA115 | FA115HH | MD964D | | | 816 | | | | |
| Boulevard 150 | 03-05 | FA350 | FA350HH | MD924D | | | 816 | | | | |

DUCATI

| | | | | | | | | | | | |
|--|-------|--------|----------|---------|---------|-----------|------|--------|--------|---------|--|
| 250/350/450 Desmo/Single | -76 | 928 | | | | | 929 | | | | |
| 250/350/450 Desmo/Single (4 bolt fixing) | 74-77 | FA18 | FA18HH | MD634LS | | | 921 | | | | |
| Supersport 400 (Single disc) | 93-97 | FA95 | FA95HH | MD2003X | | MD2003XC | FA47 | FA47HH | MD2002 | MD2002C | |
| Supersport 400 (Twin disc) | 93-97 | FA95* | FA95HH* | MD2003X | MD2003X | MD2003XC* | FA47 | FA47HH | MD2002 | MD2002C | |
| 400 Monster | 95-97 | FA95 | FA95HH | MD2003X | | MD2003XC | FA47 | FA47HH | MD2002 | MD2002C | |
| Monster 400 (Single disc) | 00-02 | FA244 | FA244HH | MD614X | | MD614XC | FA47 | FA47HH | MD2002 | MD2002C | |
| Monster 400 (Twin disc) | 03-04 | FA244* | FA244HH* | MD614X | MD614X | MD614XC* | FA47 | FA47HH | MD2002 | MD2002C | |
| 400 Monster (Japan) | 00-04 | FA244 | FA244HH | MD614X | | MD614XC | FA47 | FA47HH | MD2002 | MD2002C | |

All part numbers, prefixes and suffixes shown in this catalog are unique and form a registered copyright as the property of EBC Brakes and its UK trademark owners

* symbol after part# = 2 pieces reqd.
 i.e. 2 pad sets or 2 contour rotors

PAD/SHOE/ROTOR Applications for NON JAPANESE STREET Bikes

NON-JAPANESE STREET BIKES

DUCATI Contd.

| | Year | FRONT | | | | | REAR | | | | | |
|-----------------------------------|---------|--------------------|------------------------|-----------------------|---------|--------------------------------|--------------|--------------------|------------------------|----------------------|--------------------------------|--------------|
| | | ORGANIC PADS/SHOES | SINTERED Double-H PADS | OE REPLACEMENT ROTORS | | CONTOUR ROTOR (see Tech Pages) | CUSTOM ROTOR | ORGANIC PADS/SHOES | SINTERED Double-H PADS | OE REPLACEMENT ROTOR | CONTOUR ROTOR (see Tech Pages) | CUSTOM ROTOR |
| | | | | LEFT | RIGHT | | | | | | | |
| Monster Dark ie 400 (Japan) | 05-06 | FA244* | FA244HH* | MD614X | MD614X | MD614XC* | | FA47 | FA47HH | MD2002 | MD2002C | |
| Monster Dark ie 400 (Single disc) | 05 | FA244 | FA244HH | MD614X | | MD614XC | | FA47 | FA47HH | MD2002 | MD2002C | |
| Monster 400 ie (Japan) | 07-08 | FA181* | FA181H* | MD626X | MD626X | MD626XC* | | FA47 | FA47HH | MD2002 | MD2002C | |
| 500 GTL | 75 | FA47* | FA47HH* | N/A | N/A | | | N/A | | | | |
| 500 GTV Pantah | 77 | FA47* | FA47HH* | N/A | N/A | | | FA47 | FA47HH | N/A | | |
| 500 Sport Desmo | 77 | FA47* | FA47HH* | N/A | N/A | | | FA47 | FA47HH | | | |
| 500 Pantah | 79 | FA47* | FA47HH* | MD657LS | MD657RS | | | FA47 | FA47HH | MD657 | | |
| 549cc -Supernova (549cc) | 93-95 | FA95* | FA95HH* | TBA | TBA | | | FA115 | FA115HH | TBA | | |
| 600 Pantah | 81 | FA18* | FA18HH* | MD657LS | MD657RS | | | FA47 | FA47HH | N/A | | |
| Monster 600 (Twin disc) | 93-97 | FA95* | FA95HH* | MD2003X | MD2003X | MD2003XC* | | FA47 | FA47HH | MD2002 | MD2002C | |
| 600 Monster (Single disc) | 93-99 | FA95 | FA95HH | MD2003X | | MD2003XC | | FA47 | FA47HH | MD2002 | MD2002C | |
| 600 Monster Dark | 98-99 | FA95 | FA95HH | MD2003X | | MD2003XC | | FA47 | FA47HH | MD2002 | MD2002C | |
| 600 Monster City/City Dark | 99 | FA95 | FA95HH | MD614X | | MD614XC | | FA47 | FA47HH | MD2002 | MD2002C | |
| 600 Monster | 00-01 | FA244 | FA244HH | MD614X | | MD614XC | | FA47 | FA47HH | MD2002 | MD2002C | |
| 600 Supersport (Single disc) | 91-97 | FA95 | FA95HH | MD2003X | | MD2003XC | | FA47 | FA47HH | MD2002 | MD2002C | |
| 620 IE Monster | 02-04 | FA244* | FA244HH* | MD614X | MD614X | MD614XC* | | FA47 | FA47HH | MD2002 | MD2002C | |
| Monster 620 ie (Single disc) | 03-04 | FA244 | FA244HH | MD614X | | MD614XC | | FA47 | FA47HH | MD2002 | MD2002C | |
| 620 Sport | 03 | FA244* | FA244HH* | MD614X | MD614X | MD614XC* | | FA266 | FA266HH | MD2002 | MD2002C | |
| Monster 620 Dark | 03-04 | FA244 | FA244HH | MD2003X | | MD2003XC | | FA47 | FA47HH | MD2002 | MD2002C | |
| Multistrada Dark 620 | 03-05 | FA181* | FA181HH* | MD626X | MD626X | MD626XC* | | FA47 | FA47HH | MD2002 | MD2002C | |
| Monster 620 | 05-06 | FA181* | FA181HH* | MD626X | MD626X | MD626XC* | | FA47 | FA47HH | MD2002 | MD2002C | |
| Multistrada 620 | 05-06 | FA181* | FA181HH* | MD626X | MD626X | MD626XC* | | FA47 | FA47HH | MD2002 | MD2002C | |
| Multistrada 620 Dark | 05-06 | FA244 | FA244HH | TBA | | | | FA266 | FA266HH | MD2002 | MD2002C | |
| 650 Pantah | -84 | FA18* | FA18HH* | N/A | N/A | | | FA18 | FA18HH | N/A | | |
| 695 Monster | 06-09 | FA181* | FA181HH* | MD626X | MD626X | MD626XC* | | FA47 | FA47HH | MD627 | MD627C | |
| 696 Monster | 08-11 | FA244* | FA244HH* | MD614X | MD614X | MD614XC* | | FA266 | FA266HH | MD2002 | MD2002C | |
| 748 R (2 pad caliper) | 00 | FA244* | FA244HH* | MD636X | MD636X | MD636XC* | | FA47 | FA47HH | MD632 | MD632C | |
| 748 R (4 pad caliper) | 01-02 | | FA322/4HH* | MD636X | MD636X | MD636XC* | | FA47 | FA47HH | MD632 | MD632C | |
| 748 Biposto | 95-98 | FA95* | FA95HH* | MD2003X | MD2003X | MD2003XC* | | FA47 | FA47HH | MD632 | MD632C | |
| 748 Biposto | 99-02 | FA244* | FA244HH* | MD614X | MD614X | MD614XC* | | FA47 | FA47HH | MD632 | MD2002C | |
| 748 SP | 95-97 | FA95* | FA95HH* | TBA | TBA | | | FA47 | FA47HH | MD632 | MD632C | |
| 748 SP | 98 | FA95* | FA95HH* | MD2003X | MD2003X | MD2003XC* | | FA47 | FA47HH | MD632 | MD632C | |
| 748 SP/Monoposto | 99-2002 | FA244* | FA244HH* | MD614X | MD614X | MD614XC* | | FA47 | FA47HH | MD2002 | MD2002C | |
| 748 (Biposto) | 00-02 | FA244* | FA244HH* | TBA | TBA | | | FA47 | FA47HH | MD632 | | |
| 748 (Monoposto) | 00-02 | FA244* | FA244HH* | TBA | TBA | | | FA47 | FA47HH | MD632 | | |
| 748 SPS | 98-99 | FA244 | FA244HH | MD633X | MD633X | MD633XC* | | FA47 | FA47HH | MD632 | MD632C | |
| 748 Testa Bassa (Mono/Biposto) | 01 | FA244* | FA244HH* | MD614X | MD614X | MD614XC* | | FA47 | FA47HH | MD632 | MD632C | |
| 749 Dark (Monoposto/Biposto) | 04-06 | | FA322/4HH* | MD622X | MD622X | | | FA266 | FA266HH | MD618 | | |
| 749 R (Radial caliper) | 04-06 | | FA322/4HH* | MD622X | MD622X | | | FA266 | FA266HH | MD618 | | |
| 749 S (Monoposto/Biposto) | 03-06 | | FA322/4HH* | MD622X | MD622X | | | FA266 | FA266HH | MD618 | | |
| 749 (Monoposto/Biposto) | 03-06 | | FA322/4HH* | MD622X | MD622X | | | FA266 | FA266HH | MD618 | | |
| 750 Sport (4 bolt fixing) | 74 | FA16 | FA16HH | MD634LS | | | | N/A | | | | |
| 750 SS (4 bolt fixing) | 75-76 | FA18* | FA18HH* | MD634LS | MD634RS | | | FA18 | FA18HH | N/A | | |
| 751 F1 | 86 | FA18* | FA18HH* | N/A | N/A | | | FA18 | FA18HH | N/A | | |
| 750 Paso | 87-90 | FA18* | FA18HH* | MD630LS | MD630RS | | | FA47 | FA47HH | MD631 | | |
| 750 Sport | 88-90 | FA18* | FA18HH* | MD630LS | MD630RS | | | FA18 | FA18HH | MD631 | | |
| 750 Supersport (Single disc) | 91-98 | FA95 | FA95HH | MD2003X | | MD2003XC | | FA47 | FA47HH | MD2002 | MD2002C | |
| Supersport 750 (Twin disc) | 91-98 | FA95* | FA95HH* | MD2003X | MD2003X | MD2003XC | | FA47 | FA47HH | MD2002 | MD2002C | |
| 750 Supersport | 99 | FA244* | FA244HH* | MD2003X | MD2003X | MD2003XC* | | FA266 | FA266HH | MD2002 | MD2002C | |
| 750 Supersport IE | 00-02 | FA244* | FA244HH* | MD614X | MD614X | MD614XC* | | FA266 | FA266HH | MD2002 | MD2002C | |
| 750 Sport | 01-02 | FA244* | FA244HH* | MD614X | MD614X | MD614XC* | | FA266 | FA266HH | MD2002 | MD2002C | |
| 750 Monster (Single disc) | 96-97 | FA95 | FA95HH | MD2003X | | MD2003XC | | FA47 | FA47HH | MD2002 | MD2002C | |
| 750 Monster (Twin disc) | 96-98 | FA95* | FA95HH* | MD2003X | MD2003X | MD2003XC* | | FA47 | FA47HH | MD2002 | MD2002C | |
| 750 Monster City/City Dark | 99 | FA95* | FA95HH* | MD2003X | MD2003X | MD2003XC* | | FA47 | FA47HH | MD2002 | MD2002C | |
| 750 Monster/Monster Dark | 99 | FA95* | FA95HH* | MD2003X | MD2003X | MD2003XC* | | FA47 | FA47HH | MD2002 | MD2002C | |
| 750 Monster | 00-01 | FA244* | FA244HH* | MD614X | MD614X | MD614XC* | | FA47 | FA47HH | MD2002 | MD2002C | |
| 750 ie Monster | 02 | FA244* | FA244HH* | MD614X | MD614X | MD614XC* | | FA47 | FA47HH | MD2002 | MD2002C | |
| 796 Hypermotard | 10-11 | FA244* | FA244HH* | MD614X | MD614X | MD614XC* | | FA266 | FA266HH | MD627 | MD627C | |

All part numbers, prefixes and suffixes shown in this catalog are unique and form a registered copyright as the property of EBC Brakes and its UK trademark owners

* symbol after part # = 2 pieces reqd.
i.e. 2 pad sets or 2 contour rotors

PAD/SHOE/ROTOR Applications for NON JAPANESE STREET Bikes

NON-JAPANESE STREET BIKES

DUCATI Contd.

| Year | FRONT | | | | | REAR | | | | | | |
|--|------------|---------------|-----------------------|---------|------------------|-----------|------------|---------------|----------------|------------------|---------|--|
| | ORGANIC | SINTERED | OE REPLACEMENT ROTORS | | CONTOUR ROTOR | CUSTOM | ORGANIC | SINTERED | OE REPLACEMENT | CONTOUR ROTOR | CUSTOM | |
| | PADS/SHOES | Double-H PADS | LEFT | RIGHT | (see Tech Pages) | ROTOR | PADS/SHOES | Double-H PADS | ROTOR | (see Tech Pages) | ROTOR | |
| 796 Monster | 10-11 | FA244* | FA244HH* | MD622X | MD622X | MD622XC* | | FA266 | FA266HH | MD627 | MD627C | |
| Monster 800 | 03-04 | FA244* | FA244HH* | MD614X | MD614X | MD614XC* | | FA47 | FA47HH | MD2002 | MD2002C | |
| Monster S2R (803cc) | 05-07 | FA181* | FA181HH* | MD626X | MD626X | MD626XC* | | FA47 | FA47HH | MD627 | MD627C | |
| Monster S2R Dark (803cc) | 05-06 | FA181* | FA181HH* | MD626X | MD626X | MD626XC* | | FA47 | FA47HH | MD627 | MD627C | |
| 800 Sport | 03 | FA244* | FA244HH* | MD614X | MD614X | MD614XC* | | FA47 | FA47HH | MD2002 | MD2002C | |
| 800 Supersport | 03-05 | FA244* | FA244HH* | MD614X | MD614X | MD614XC* | | FA266 | FA266HH | MD2002 | MD2002C | |
| 848 (Radial 2 pad caliper) | 08-10 | FA244* | FA244HH* | MD622X | MD622X | MD622XC* | | FA266 | FA266HH | MD627 | MD627C | |
| 848 Evo (Monobloc front calipers) | 10-11 | | FA447HH* | MD622X | MD622X | MD622XC* | | FA266 | FA266HH | MD627 | MD627C | |
| 851 Superbike Biposto | 89-92 | FA95* | FA95HH* | MD2003X | MD2003X | MD2003XC* | | FA47 | FA47HH | MD2002 | MD2002C | |
| 860 GT/GTS | 75-76 | FA18* | FA18HH* | MD634LS | MD634RS | | | FA18 | FA18HH | MD634LS | | |
| 888 SP4/SP5 | 92-93 | FA95* | FA95HH* | TBA | TBA | TBA* | | FA47 | FA47HH | MD2002 | MD2002C | |
| 888 Superbike Strada | 94-95 | FA95* | FA95HH* | MD2003X | MD2003X | MD2003XC* | | FA47 | FA47HH | MD2002 | MD2002C | |
| 900 GTS (4 bolt fixing) | 75-76 | FA18* | FA18HH* | MD634LS | MD634RS | | | FA18 | FA18HH | MD634LS | | |
| 900 SS Damah (4 bolt fixing) | 76-77 | FA18* | FA18HH* | MD634LS | MD634RS | | | FA18 | FA18HH | MD634LS | | |
| 900 SS-Damah (6 bolt fixing) | 78 | FA18* | FA18HH* | MD609LS | MD609RS | | | FA18 | FA18HH | MD634LS | | |
| 900 Hailwood Replica (6 bolt fixing) | 79 | FA18* | FA18HH* | MD609LS | MD609RS | | | FA18 | FA18HH | MD609LS | | |
| 900 Supersport | 89-90 | FA95* | FA95HH* | MD2001X | MD2001X | MD2001XC* | | FA47 | FA47HH | MD2002 | MD2002C | |
| 900 Supersport/Superlight | 91-97 | FA95* | FA95HH* | MD2003X | MD2003X | MD2003XC* | | FA47 | FA47HH | MD2002 | MD2002C | |
| 900 Supersport | 98-99 | FA244* | FA244HH* | MD2003X | MD2003X | MD2003XC* | | FA266 | FA266HH | MD2002 | MD2002C | |
| 900 Supersport CR USA | 98 | FA95* | FA95HH* | MD2003X | MD2003X | MD2003XC* | | FA47 | FA47HH | MD2002 | MD2002C | |
| 900 Supersport FE | 98 | FA95* | FA95HH* | MD2003X | MD2003X | MD2003XC* | | FA47 | FA47HH | MD2002 | MD2002C | |
| 900 Supersport IE | 00-01 | FA244* | FA244HH* | MD614X | MD614X | MD614XC* | | FA266 | FA266HH | MD2002 | MD2002C | |
| 900 Sport | 02 | FA244 | FA244HH* | MD614X | MD614X | MD614XC* | | FA266 | FA266HH | MD2002 | MD2002C | |
| 900 Monster | 93-99 | FA95* | FA95HH* | MD2003X | MD2003X | MD2003XC* | | FA47 | FA47HH | MD2002 | MD2002C | |
| 900 Monster Cromo/Special | 98 | FA95* | FA95HH* | MD2003X | MD2003X | MD2003XC* | | FA47 | FA47HH | MD2002 | MD2002C | |
| 900 Monster City/City Dark | 99 | FA95* | FA95HH* | MD2003X | MD2003X | MD2003XC* | | FA47 | FA47HH | MD2002 | MD2002C | |
| 900 IE Monster | 00-01 | FA244* | FA244HH* | MD614X | MD614X | MD614XC* | | FA47 | FA47HH | MD2002 | MD2002C | |
| 900 MH Evoluzione | 00-01 | FA244* | FA244HH* | MD614X | MD614X | MD614XC* | | FA266 | FA266HH | MD632 | MD632C | |
| 906 Paso | 88-89 | FA18* | FA18HH* | TBA | TBA | | | FA18 | FA18HH | MD631 | | |
| 907 IE | 90-91 | FA95* | FA95HH* | MD2001X | MD2001X | MD2001XC* | | FA47 | FA47HH | MD2002 | MD2002C | |
| 907 IE | 92-93 | FA95* | FA95HH* | MD2003X | MD2003X | MD2003XC* | | FA47 | FA47HH | MD2002 | MD2002C | |
| Monster S4 Foggy (916cc) | 02 | FA244* | FA244HH* | MD624 | MD624 | | | FA47 | FA47HH | MD2002 | | |
| Monster S4 (916cc) | 01-02 | FA244* | FA244HH* | MD624 | MD624 | | | FA47 | FA47HH | MD2002 | | |
| ST4 (916cc) | 99 | FA244* | FA244HH* | MD2003X | MD2003X | MD2003XC* | | FA266 | FA266HH | MD2002 | MD2002C | |
| ST4 (916cc) | 00 | FA244* | FA244HH* | TBA | TBA | | | FA266 | FA266HH | MD2002 | | |
| ST4 (916cc) | 01-02 | FA244* | FA244HH* | MD614X | MD614X | MD614XC* | | FA47 | FA47HH | MD2002 | MD2002C | |
| 916 (Biposto) | 94-96 | FA95* | FA95HH* | MD2003X | MD2003X | MD2003XC* | | FA47 | FA47HH | MD632 | MD632C | |
| 916 Sienna | 94-98 | FA95* | FA95HH* | TBA | TBA | | | FA47 | FA47HH | MD632 | | |
| ST2 (944cc) | 97-99 | FA244* | FA244HH* | MD2003X | MD2003X | MD2003XC* | | FA266 | FA266HH | MD2002 | MD2002C | |
| ST2 (944cc) | 00-03 | FA244 | FA244HH | MD614X | MD614X | MD614XC* | | FA266 | FA266HH | MD2002 | MD2002C | |
| ST3 S (ABS Model) (992cc) | 06-07 | FA244* | FA244HH* | MD624 | MD624 | | | FA266 | FA266HH | MD2002 | | |
| 916 SPS (996cc) | 97-98 | FA244* | FA244HH* | TBA | TBA | | | FA47 | FA47HH | MD632 | | |
| Monster S4R (996cc) (2 pad caliper) | 05-06 | FA244* | FA244HH* | MD624 | MD624 | | | FA47 | FA47HH | MD627 | | |
| 996 SPS (996cc) | 99 | FA244* | FA244HH* | MD624 | MD624 | | | FA47 | FA47HH | MD632 | | |
| 996 (996cc) (Monoposto/Biposto) | 99-01 | FA244* | FA244HH* | MD624 | MD624 | | | FA47 | FA47HH | MD632 | | |
| 996 R | 01 | | FA322/4HH* | MD636X | MD636X | MD636XC* | | FA47 | FA47HH | MD632 | MD632C | |
| 996 S | 01 | FA244* | FA244HH* | MD624 | MD624 | | | FA47 | FA47HH | MD632 | | |
| Monster S4R (996cc) | 03-06 | FA244* | FA244HH* | MD624 | MD624 | | | FA47 | FA47HH | MD627 | | |
| S4RS Monster (998cc) (Radial 4 pad caliper) | 06 | | FA322/4HH* | MD622X | MD622X | MD622XC* | | FA47 | FA47HH | MD627 | MD627C | |
| S4R Testastretta Monster (998cc) (Radial 4 pad caliper) | 07-08 | | FA322/4HH* | MD622X | MD622X | MD622XC* | | FA47 | FA47HH | MD627 | MD627C | |
| S4RS Testastretta Monster (998cc) (Radial 4 pad caliper) | 07- | | FA322/4HH* | MD622X | MD622X | MD622XC* | | FA47 | FA47HH | MD627 | MD627C | |
| S4RS (Tricolore/Monster Testastretta) (998cc) (Radial 4 pad caliper) | 08 | | FA322/4HH* | MD622X | MD622X | MD622XC* | | FA47 | FA47HH | MD627 | MD627C | |
| ST4S (Non ABS/996cc) | 01-05 | FA244* | FA244HH* | MD624 | MD624 | | | FA266 | FA266HH | MD2002 | | |
| ST4S (ABS Model/996cc) | 03-05 | FA244* | FA244HH* | MD624 | MD624 | | | FA266 | FA266HH | MD2002 | | |
| Desmodedici RR (D16RR/989cc) | 08 | | FA447HH* | MD694X | MD694X | MD694XC* | | FA266 | FA266HH | MD618 | | |
| 998 Matrix (998cc) | 04 | | FA322/4HH* | MD633X | MD633X | MD633XC* | | FA47 | FA47HH | MD632 | MD632C | |
| 998 R (998cc) | 02 | | FA322/4HH* | TBA | TBA | | | FA47 | FA47HH | MD632 | | |

All part numbers, prefixes and suffixes shown in this catalog are unique and form a registered copyright as the property of EBC Brakes and its UK trademark owners

* symbol after part# = 2 pieces reqd.
i.e. 2 pad sets or 2 contour rotors

PAD/SHOE/ROTOR Applications for NON JAPANESE STREET Bikes

NON-JAPANESE STREET BIKES

DUCATI Contd.

| Year | FRONT | | | | | REAR | | | | | | |
|--|------------|---------------|-----------------------|---------|------------------|----------|------------|---------------|----------------|------------------|---------|--|
| | ORGANIC | SINTERED | OE REPLACEMENT ROTORS | | CONTOUR ROTOR | CUSTOM | ORGANIC | SINTERED | OE REPLACEMENT | CONTOUR ROTOR | CUSTOM | |
| | PADS/SHOES | Double-H PADS | LEFT | RIGHT | (see Tech Pages) | ROTOR | PADS/SHOES | Double-H PADS | ROTOR | (see Tech Pages) | ROTOR | |
| 998 S Bayliss/Bostrom | 02 | | FA322/4HH* | MD633X | MD633X | MD633XC* | | FA47 | FA47HH | MD632 | MD632C | |
| 998 S (998cc) (4 pad caliper) | 02-04 | | FA322/4HH* | MD633X | MD633X | MD633XC* | | FA47 | FA47HH | MD632 | MD632C | |
| 998 (998cc) (2 pad caliper) (Monoposto/Biposto) | 02-03 | FA244* | FA244HH* | MD633X | MD633X | MD633XC* | | FA47 | FA47HH | MD632 | MD632C | |
| 999 S (Std Caliper Mount) (Monoposto/Biposto) | 03-04 | | FA322/4HH* | MD622X | MD622X | MD622XC* | | FA266 | FA266HH | MD618 | | |
| 999 (Std mount caliper) | 03-06 | | FA322/4HH* | MD622X | MD622X | MD622XC* | | FA266 | FA266HH | MD618 | | |
| 999 R (Radial mount caliper) | 03-06 | | FA322/4HH* | MD622X | MD622X | MD622XC* | | FA266 | FA266HH | MD618 | | |
| 999 R Fila (Radial mount caliper) | 03- | | FA322/4HH* | MD622X | MD622X | MD622XC* | | FA266 | FA266HH | MD618 | | |
| 999 R Xerox | 06 | | FA322/4HH* | MD622X | MD622X | MD622XC* | | FA266 | FA266HH | MD618 | | |
| 999 S (Radial mount caliper) Monoposto/Biposto | 05-06 | | FA322/4HH* | MD622X | MD622X | MD622XC* | | FA266 | FA266HH | MD618 | | |
| 1000 R1 Hallwood Replica (6 bolt fixing) | 84 | FA18* | FA18HH* | MD609LS | MD609RS | | | FA18 | FA18HH | MD609LS | | |
| GT 1000 (992cc) | 07-10 | FA209/2* | FA209/2HH* | MD614X | MD614X | MD614XC* | | FA213 | FA213HH | MD2002 | MD2002C | |
| GT 1000 Touring - Sport Classic | 09 | FA209/2* | FA209/2HH* | MD614X | MD614X | MD614XC* | | FA213 | FA213HH | MD2002 | MD2002C | |
| Monster 1000 Dark | 03 | FA244* | FA244HH* | MD614X | MD614X | MD614XC* | | FA47 | FA47HH | MD2002 | MD2002C | |
| Monster 1000 ie (992cc) | 04-05 | FA244 | FA244HH | MD614X | MD614X | MD614XC* | | FA47 | FA47HH | MD2002 | MD2002C | |
| Monster 1000 S ie (992cc) | 03-05 | FA244* | FA244HH* | MD614X | MD614X | MD614XC* | | FA47 | FA47HH | MD2002 | MD2002C | |
| Monster S2R 1000 (992cc) | 06-08 | FA244* | FA244HH* | MD614X | MD614X | MD614XC* | | FA47 | FA47HH | MD627 | | |
| Multiastrada 1000 DS (992cc) | 03-05 | FA244* | FA244HH* | MD682LS | MD682RS | | | FA266 | FA266HH | MD627 | | |
| Multiastrada S 1000 DS (992cc) | 05-06 | FA244* | FA244HH* | MD682LS | MD682RS | | | FA266 | FA266HH | MD627 | | |
| Paul Smart 1000 LE (992cc) | 06 | FA209/2* | FA209/2HH* | MD614X | MD614X | MD614XC* | | FA213 | FA213HH | MD2002 | MD2002C | |
| Sport 1000 S | 07-09 | FA244* | FA244HH* | MD614X | MD614X | MD614XC* | | FA213 | FA213HH | MD2002 | MD2002C | |
| Sport Classic 1000 (992cc) (Monoposto - Japan /Biposto - Europe) | 06-08 | FA209/2* | FA209/2HH* | MD614X | MD614X | MD614XC* | | FA213 | FA213HH | MD2002 | MD2002C | |
| Supersport 1000 DS (992cc) | 03-06 | FA244* | FA244HH* | MD614X | MD614X | MD614XC* | | FA266 | FA266HH | MD2002 | MD2002C | |
| 1098 | 07-08 | | FA447HH* | MD694X | MD694X | MD694XC* | | FA266 | FA266HH | MD695 | MD695C | |
| 1098 S Tricolore | 07 | | FA447HH* | MD694X | MD694X | MD694XC* | | FA266 | FA266HH | MD695 | MD695C | |
| 1098 S | 07-08 | | FA447HH* | MD694X | MD694X | MD694XC* | | FA266 | FA266HH | MD695 | MD695C | |
| 1098 R | 08-09 | | FA447HH* | MD694X | MD694X | MD694XC* | | FA266 | FA266HH | MD695 | MD695C | |
| Hypermotard 1100 | 07-09 | FA244* | FA244HH* | TBA | TBA | | | FA266 | FA266HH | MD627 | | |
| Hypermotard 1100 Evo | 10-11 | FA447* | FA447HH* | TBA | TBA | | | FA266 | FA266HH | MD627 | | |
| Hypermotard 1100 Evo SP | 10-11 | FA447* | FA447HH* | TBA | TBA | | | FA266 | FA266HH | MD627 | | |
| Hypermotard 1100 S | 07-09 | | FA447HH* | TBA | TBA | | | FA266 | FA266HH | MD627 | | |
| Monster 1100 | 09-11 | FA244* | FA244HH* | MD622X | MD622X | MD622XC* | | FA266 | FA266HH | MD627 | MD627C | |
| Monster 1100 S | 09-11 | FA244* | FA244HH* | MD622X | MD622X | MD622XC* | | FA266 | FA266HH | MD627 | MD627C | |
| Multiastrada 1100 (1078cc) | 07-09 | FA244* | FA244HH* | MD682LS | MD682RS | | | FA266 | FA266HH | MD627 | | |
| Multiastrada 1100 S (1078cc) | 07-09 | FA244* | FA244HH* | MD682LS | MD682RS | | | FA266 | FA266HH | MD627 | | |
| 1198 | 09-11 | | FA447HH* | MD694X | MD694X | MD694XC* | | FA266 | FA266HH | MD695 | MD695C | |
| 1198 S | 09-10 | | FA447HH* | MD694X | MD694X | MD694XC* | | FA266 | FA266HH | MD695 | MD695C | |
| 1198 SP | 11 | | FA447HH* | MD694X | MD694X | MD694XC* | | FA266 | FA266HH | MD695 | MD695C | |
| 1198 R Special Edition | 11 | | FA447HH* | MD694X | MD694X | MD694XC* | | FA266 | FA266HH | MD695 | MD695C | |
| Streetfighter (1099cc) | 09-11 | | FA447HH* | MD694X | MD694X | MD694XC* | | FA266 | FA266HH | MD695 | MD695C | |
| Streetfighter S (1099cc) | 09-11 | | FA447HH* | MD694X | MD694X | MD694XC* | | FA266 | FA266HH | MD695 | MD695C | |
| Multiastrada 1200 | 10-11 | FA244* | FA244HH* | MD622X | MD622X | MD622XC* | | FA266 | FA266HH | MD627 | MD627C | |
| Multiastrada 1200 S (Sport/Touring Editions) | 10-11 | FA244* | FA244HH* | MD622X | MD622X | MD622XC* | | FA266 | FA266HH | MD627 | MD627C | |
| Diavel | 11 | | FA447HH* | TBA | TBA | TBA | | FA209/2 | FA209/2HH | TBA | TBA | |
| E-TON | | | | | | | | | | | | |
| Beamer 50 (PN2) | 04-08 | FA169 | FA169HH | TBA | | | | TBA | | | | |
| Bramer 50 III | 09 | FA169 | FA169HH | TBA | | | | TBA | | | | |
| Beamer II (PN2B) | | FA169 | FA169HH | TBA | | | | TBA | | | | |
| Beamer Matrix (PN2C) | | FA169 | FA169HH | TBA | | | | TBA | | | | |
| Beamer Matrix II (PN2E) | | FA169 | FA169HH | TBA | | | | TBA | | | | |
| Beamer R2 50 (PN2G) | | FA264 | FA264HH | N/A | | | | FA83 | | N/A | | |
| Matrix 50 | 09 | FA264 | FA264HH | TBA | | | | FA83 | | TBA | | |
| Sport 50 | 09 | FA264 | FA264HH | TBA | | | | TBA | | | | |
| Beamer R4-150 (PN2F) | | FA264 | FA264HH | N/A | | | | FA83 | | N/A | | |
| Matrix R4-150 | 09 | FA264 | FA264HH | TBA | | | | FA83 | | TBA | | |

All part numbers, prefixes and suffixes shown in this catalog are unique and form a registered copyright as the property of EBC Brakes and its UK trademark owners

* symbol after part # = 2 pieces reqd.
i.e. 2 pad sets or 2 contour rotors

PAD/SHOE/ROTOR Applications for NON JAPANESE STREET Bikes

NON-JAPANESE STREET BIKES

| HYOSUNG | | FRONT | | | | | REAR | | | | | | |
|--|-------|-------|------------|---------------|-----------------------|----------|------------------|--------|------------|---------------|----------------|------------------|--------|
| | | Year | ORGANIC | SINTERED | OE REPLACEMENT ROTORS | | CONTOUR ROTOR | CUSTOM | ORGANIC | SINTERED | OE REPLACEMENT | CONTOUR ROTOR | CUSTOM |
| | | | PADS/SHOES | Double-H PADS | LEFT | RIGHT | (see Tech Pages) | ROTOR | PADS/SHOES | Double-H PADS | ROTOR | (see Tech Pages) | ROTOR |
| SB50 M | 06-08 | FA83 | FA83HH | TBA | | | | TBA | | | | | |
| SD50 Sense | 06-11 | FA83 | FA83HH | TBA | | | | TBA | | | | | |
| SF50 Rally | 06-11 | FA83 | FA83HH | TBA | | | | TBA | | | | | |
| SF50 B Prima | 06-11 | FA83 | FA83HH | TBA | | | | TBA | | | | | |
| MS3 125 | 06-07 | FA86* | FA86HH* | TBA | TBA | | | FA86 | FA86HH | TBA | | | |
| GT 250 | 06-11 | FA86 | FA86HH | MD690 | | MD690C | | FA86 | FA86HH | MD689 | MD689C | | |
| GT 250 R | 06-11 | FA86* | FA86HH* | MD690 | MD690 | MD690C* | | FA86 | FA86HH | MD689 | MD689C | | |
| GT 250 RV-Twin Sport | 11 | FA86* | FA86HH* | MD690 | MD690 | MD690C* | | FA86 | FA86HH | MD689 | MD689C | | |
| GV 250 | 06-11 | FA86 | FA86HH | N/A | | | | 606 | | | | | |
| MS3 250 | 06-11 | FA86* | FA86HH* | TBA | TBA | | | FA86 | FA86HH | TBA | | | |
| GT 650 | 06-11 | FA86* | FA86HH* | MD690 | MD690 | MD690C* | | FA86 | FA86HH | MD689 | MD689C | | |
| GT 650 R | 06-11 | FA86* | FA86HH* | MD690 | MD690 | MD690C* | | FA86 | FA86HH | MD689 | MD689C | | |
| GT 650 S | 06-11 | FA86* | FA86HH* | MD690 | MD690 | MD690C* | | FA86 | FA86HH | MD689 | MD689C | | |
| GV 650 | 06-11 | FA86* | FA86HH* | MD691 | MD691 | | | FA86 | FA86HH | TBA | | | |
| ST7 Custom | 10-11 | | FA296HH | TBA | | | | FA86 | FA86HH | TBA | | | |
| ITALJET | | | | | | | | | | | | | |
| Dragster 50 LC | 98-03 | FA115 | FA115HH | MD941D | | | | FA115 | FA115HH | MD948D | | | |
| Formula 50 (Air Cooled) | 99-03 | FA115 | FA115HH | MD941D | | | | 624 | | | | | |
| Formula 50 (Liquid Cooled) | 96-03 | FA115 | FA115HH | MD941D | | | | FA115 | FA115HH | MD950D | | | |
| Jet Set 50 | 03 | FA350 | FA350HH | TBA | | | | TBA | | | | | |
| Torpedo 50 2T | 98-04 | FA115 | FA115HH | MD951D | | | | 624 | | | | | |
| Velocifero 50 | 98-03 | 350 | | | | | | 624 | | | | | |
| Formula 125 LC | 96-03 | FA115 | FA115HH | MD941D | | | | FA115 | FA115HH | MD950D | | | |
| Jet Set 125/150 | 03 | FA350 | FA350HH | TBA | | | | 816 | | | | | |
| Torpedo 125 4T | 99-04 | FA115 | FA115HH | MD951D | | | | 816 | | | | | |
| Torpedo 150 | 03 | FA115 | FA115HH | MD951D | | | | 816 | | | | | |
| KTM | | | | | | | | | | | | | |
| Duke 125 | 11 | FA606 | FA606HH | TBA | | | | FA213 | FA213HH | TBA | | | |
| 640 Duke (Jet Black/Yellow/Adrenalin Orange) | 03-06 | FA244 | FA244HH | MD6199D | | MD6199C | | FA213 | FA213HH | MD6035D | MD6035C | | |
| 690 Duke | 08-11 | | FA322/4HH | MD614X | | MD614XC | | FA213 | FA213HH | MD681 | | | |
| 690 Duke R | 10-11 | | FA322/4HH | MD614X | | MD614XC | | FA213 | FA213HH | MD681 | | | |
| 990 Superduke | 05-11 | | FA322/4HH* | MD633X | MD633X | MD633XC* | | FA213 | FA213HH | MD681 | | | |
| 990 Superduke R | 09-11 | | FA322/4HH* | MD633X | MD633X | MD633XC* | | FA213 | FA213HH | MD681 | | | |
| 1190 RC8 | 09-11 | | FA447HH* | MD633X | MD633X | MD633XC* | | FA266 | FA266HH | MD812 | | | |
| 1190 RC8 | 08-11 | | FA447HH* | MD633X | MD633X | MD633XC* | | FA266 | FA266HH | MD812 | | | |
| KYMCO | | | | | | | | | | | | | |
| Agility 50 (4T) | 05-11 | FA228 | FA228HH | MD971D | | | | 303 | | | | | |
| Like 50 (2T) | 09-11 | FA305 | FA305HH | TBA | | | | 303 | | | | | |
| Super 8 (50cc) (2T/4T) | 07-11 | FA305 | FA305HH | TBA | | | | 820 | | | | | |
| Super 9 (2T/AC) | 02-09 | FA197 | FA197HH | | MD981D | | | FA305 | FA305HH | MD971D | | | |
| Yup 50 | 02-06 | FA228 | FA228HH | MD971D | | | | 303 | | | | | |
| People 50 (2T) | 02-09 | FA305 | FA305HH | MD989D | | | | 818 | | | | | |
| People S50 (4T) | 05-09 | FA305 | FA305HH | MD989D | | | | 818 | | | | | |
| Cobra Cross/Cobra 50 | 02-05 | FA233 | | MD971D | | | | 303 | | | | | |
| Sento 50 | 09-11 | FA228 | FA228HH | TBA | | | | 303 | | | | | |
| Sting 50 (2T) | 07-11 | FA228 | FA228HH | MD971D | | | | 303 | | | | | |
| Vitality 50 (4T) | 05-08 | FA228 | FA228HH | MD971D | | | | 303 | | | | | |
| ZX 50 Super Fever | 02-05 | FA233 | | MD971D | | | | 303 | | | | | |
| Filly 50 | 02-05 | FA228 | FA228HH | TBA | | | | 303 | | | | | |
| Agility 125 | 06-11 | FA228 | FA228HH | MD971D | | | | 303 | | | | | |
| People S 125 | 05-09 | FA305 | FA305HH | MD989D | | | | 818 | | | | | |
| Bet & Win 150/250 | 02-08 | FA197 | FA197HH | | MD973D | | | FA197 | FA197HH | MD974D | | | |
| People 150 | 07-10 | FA305 | FA305HH | MD989D | | | | 818 | | | | | |
| Super 8 (150cc) | 07-10 | FA305 | FA305HH | TBA | | | | 818 | | | | | |
| Like 200i | 10-11 | FA305 | FA305HH | TBA | | | | FA197 | FA197HH | TBA | | | |

All part numbers, prefixes and suffixes shown in this catalog are unique and form a registered copyright as the property of EBC Brakes and its UK trademark owners

* symbol after part# = 2 pieces reqd. i.e. 2 pad sets or 2 contour rotors

PAD/SHOE/ROTOR Applications for NON JAPANESE STREET Bikes

NON-JAPANESE STREET BIKES

KYMCO Contd.

| | Year | FRONT | | | | | REAR | | | | | |
|--------------------------|-------|--------------------|------------------------|-----------------------|---------|--------------------------------|--------------|--------------------|------------------------|----------------------|--------------------------------|--------------|
| | | ORGANIC PADS/SHOES | SINTERED Double-H PADS | OE REPLACEMENT ROTORS | | CONTOUR ROTOR (see Tech Pages) | CUSTOM ROTOR | ORGANIC PADS/SHOES | SINTERED Double-H PADS | OE REPLACEMENT ROTOR | CONTOUR ROTOR (see Tech Pages) | CUSTOM ROTOR |
| | | | | LEFT | RIGHT | | | | | | | |
| Yager GT200i | 09-11 | FA197 | FA197HH | | TBA | | | FA197 | FA197HH | MD974D | | |
| People S 200 | 05-10 | FA305 | FA305HH | | MD989D | | | 818 | | | | |
| Grandvista 250 | 05-10 | FA197 | FA197HH | | MD973D | | | FA356 | FA356HH | MD974D | | |
| People 250 | 03-07 | FA197 | FA197HH | | MD9100D | | | FA197 | FA197HH | MD9100D | | |
| People S 250 | Left | 07-11 | FA228 | FA228HH | TBA | | | FA196 | FA196HH | TBA | | |
| | Right | | FA197 | FA197HH | | TBA | | | | | | |
| Venox 250 | 03-08 | FA196 | FA196HH | MD1101 | | | | 321 | | | | |
| Xciting 250 (All models) | 05-11 | FA142* | FA142HH* | N/A | N/A | | | FA196 | FA196HH | TBA | | |
| Downtown 300i | 10-11 | FA142* | FA142HH | MD9128C | | | | FA498 | FA498HH | MD9129D | | |
| Xciting 500 (All models) | 04-11 | FA142* | FA142HH* | TBA | TBA | | | FA196 | FA196HH | TBA | | |

LAVERDA

| | | | | | | | | | | | | |
|-------------------------------|-------|-------|---------|----------|----------|-----------|--|------|--------|--------|---------|--|
| Alpino 500/Montjuic | 76 | FA47 | FA47HH | N/A | N/A | | | FA47 | FA47HH | N/A | | |
| Jota 1000 | 76 | FA18* | FA18HH* | MD609LS | MD609RS | | | FA18 | FA18HH | N/A | | |
| Mirage 1200 | 76 | FA18* | FA18HH* | MD609LS | MD609RS | | | FA18 | FA18HH | N/A | | |
| RGS 1000 | 83 | FA18* | FA18HH* | MD609ALS | MD609ARS | | | FA18 | FA18HH | N/A | | |
| 650 Sport Formula | 94-95 | FA95* | FA95HH* | MD2003X | MD2003X | MD2003XC* | | FA47 | FA47HH | MD2002 | MD2002C | |
| 668 Diamante/Ghost/Strike | 96-98 | FA95* | FA95HH* | MD2003X | MD2003X | MD2003XC* | | FA47 | FA47HH | MD2002 | MD2002C | |
| 750 Strike Bifaro/Mono Legend | 98-00 | FA95* | FA95HH* | MD2003X | MD2003X | MD2003XC* | | FA47 | FA47HH | MD2002 | MD2002C | |
| 750 S Formula/Sport | 98-00 | FA95* | FA95HH* | MD2003X | MD2003X | MD2003XC* | | FA47 | FA47HH | MD2002 | MD2002C | |
| 750 S Carenata | 98-00 | FA95* | FA95HH* | MD2003X | MD2003X | MD2003XC* | | FA47 | FA47HH | MD2002 | MD2002C | |

MALAGUTI

| | | | | | | | | | | | | |
|---------------------------|-------|-------|---------|--------|--|--|--|-------|---------|--------|--|--|
| Ciak 50 | 02-04 | FA193 | FA193HH | MD955D | | | | 893 | | | | |
| F10 Jet Line | 02-04 | FA193 | FA193HH | MD915D | | | | 893 | | | | |
| F12 Phantom (LC) | 98-04 | FA193 | FA193HH | MD946D | | | | FA193 | FA193HH | MD901D | | |
| F12 Phantom (A/C) | 98-04 | FA116 | | MD946D | | | | FA193 | | MD901D | | |
| Yesterday 50 | 98-04 | FA116 | | MD915D | | | | 893 | | | | |
| Ciak 150 | 02-03 | FA47 | FA47HH | MD955D | | | | 818 | | | | |
| F15 Firefox | 02-03 | FA116 | | MD901D | | | | 893 | | | | |
| F15 Firefox (LC) | 04 | FA116 | | MD946D | | | | FA193 | | MD901D | | |
| Phantom F12 Foggy Replica | 00-02 | FA193 | FA193HH | MD946D | | | | FA193 | FA193HH | MD901D | | |
| F18 (150cc) | 02-04 | FA47 | FA47HH | TBA | | | | FA298 | FA298HH | TBA | | |

MOTO-GUZZI

| | | | | | | | | | | | | |
|-------------------------|-------|-------|---------|--------|--------|----------|---------|---------|-----------|-------|--|--|
| V 35/35 II/35 III (350) | 77-87 | FA47* | FA47HH* | N/A | N/A | | | FA47 | FA47HH | N/A | | |
| V 35 C (350) | 82-86 | FA47* | FA47HH* | N/A | N/A | | | FA47 | FA47HH | N/A | | |
| V 35 Florida (350) | 86-90 | FA47* | FA47HH* | N/A | N/A | | | FA47 | FA47HH | N/A | | |
| NTX 350 | 87-90 | FA47 | FA47HH | N/A | N/A | | | FA47 | FA47HH | N/A | | |
| 350 Nevada | 92-97 | FA47* | FA47HH* | N/A | N/A | | | FA47 | FA47HH | N/A | | |
| 350 Nevada Club | 98-99 | FA47* | FA47HH* | N/A | N/A | | | FA47 | FA47HH | N/A | | |
| V 50/50 III (500) | 77-84 | FA47* | FA47HH* | N/A | N/A | | | FA47 | FA47HH | N/A | | |
| V 50 C (500) | 82-86 | FA47* | FA47HH* | N/A | N/A | | | FA47 | FA47HH | N/A | | |
| NTX 650 | 87-90 | FA47 | FA47HH | N/A | N/A | | | FA47 | FA47HH | N/A | | |
| V 65 C (650) | 82-85 | FA47* | FA47HH* | N/A | N/A | | | FA47 | FA47HH | N/A | | |
| V 65 Florida (650) | 86-92 | FA47* | FA47HH* | N/A | N/A | | | FA47 | FA47HH | N/A | | |
| V 75 (750) | 92-96 | FA47* | FA47HH* | N/A | N/A | | | FA47 | FA47HH | N/A | | |
| 750 SP | 90-92 | FA47* | FA47HH* | N/A | N/A | | | FA47 | FA47HH | N/A | | |
| 750 Targa | 90-92 | FA47* | FA47HH* | N/A | N/A | | | FA47 | FA47HH | N/A | | |
| California Vintage 750 | 06-10 | FA244 | FA244HH | MD614X | MD614X | MD614XC* | | FA209/2 | FA209/2HH | MD692 | | |
| Nevada 750 | 91-92 | FA47* | FA47HH* | N/A | N/A | | | FA47 | FA47HH | N/A | | |
| Nevada 750 Club | 98-02 | FA47* | FA47HH* | N/A | N/A | | | FA47 | FA47HH | N/A | | |
| 750 Nevada/Club | 03 | FA244 | FA244HH | MD614X | | | | FA266 | FA266HH | N/A | | |
| Nevada Classic 750ie | 05-08 | FA244 | FA244HH | MD614X | | | | FA266 | FA266HH | N/A | | |
| V 750 ie Brevia | 03-08 | FA244 | FA244HH | MD614X | | | | FA266 | FA266HH | N/A | | |
| V7 Classic | 08-10 | FA244 | FA244HH | MD614X | | | MX614XC | FA266 | FA266HH | N/A | | |
| V7 Cafe Classic | 11 | FA244 | FA244HH | MD614X | | | MX614XC | FA266 | FA266HH | N/A | | |

All part numbers, prefixes and suffixes shown in this catalog are unique and form a registered copyright as the property of EBC Brakes and its UK trademark owners

* symbol after part # = 2 pieces reqd.
i.e. 2 pad sets or 2 contour rotors

PAD/SHOE/ROTOR Applications for NON JAPANESE STREET Bikes

NON-JAPANESE STREET BIKES

MOTO-GUZZI Contd.

| Year | FRONT | | | | | REAR | | | | | |
|------------------------------|--------------------|------------------------|-----------------------|---------|--------------------------------|--------------|--------------------|------------------------|----------------------|--------------------------------|--------------|
| | ORGANIC PADS/SHOES | SINTERED Double-H PADS | OE REPLACEMENT ROTORS | | CONTOUR ROTOR (see Tech Pages) | CUSTOM ROTOR | ORGANIC PADS/SHOES | SINTERED Double-H PADS | OE REPLACEMENT ROTOR | CONTOUR ROTOR (see Tech Pages) | CUSTOM ROTOR |
| 850 III/III Le Mans | 78-84 | FA18* | FA18HH* | N/A | N/A | | FA18 | FA18HH | N/A | | |
| 850 T3/T4/T5 | 79-88 | FA18* | FA18HH* | N/A | N/A | | FA18 | FA18HH | N/A | | |
| Daytona 1000 | 92-95 | FA95* | FA95HH* | MD667 | MD667 | | FA47 | FA47HH | N/A | | |
| Daytona 1000 RS | 97-98 | FA95* | FA95HH* | N/A | N/A | | FA47 | FA47HH | N/A | | |
| California 1000 II/III | 83-93 | FA18* | FA18HH* | N/A | N/A | | FA18 | FA18HH | N/A | | |
| 1000 SP II/III | 83-94 | FA18* | FA18HH* | N/A | N/A | | FA18 | FA18HH | N/A | | |
| 1000 GT | 87-91 | FA18* | FA18HH* | N/A | N/A | | FA18 | FA18HH | N/A | | |
| 1000 (S) | 89-94 | FA18* | FA18HH* | N/A | N/A | | FA18 | FA18HH | N/A | | |
| 1000 Le-Mans | 84-93 | FA18* | FA18HH* | N/A | N/A | | FA18 | FA18HH | N/A | | |
| Strada 1000 | 93-94 | FA18* | FA18HH* | N/A | N/A | | FA18 | FA18HH | N/A | | |
| Quota 1000 | 92-97 | FA126* | FA126HH* | N/A | N/A | | FA163 | | N/A | | |
| MGS-01 1000 cc | 04-05 | | FA322/4HH* | MD621X | MD621X | MD621XC* | FA266 | FA266HH | N/A | | |
| V10 Centauro | 97-99 | FA95* | FA95HH* | MD614X | MD614X | MD614XC* | FA47 | FA47HH | N/A | | |
| Breva 1100 (Non ABS Model) | 02-07 | FA244* | FA244HH* | MD2003X | MD2003X | MD2003XC* | FA181X | FA181HH | N/A | | |
| Breva V1100 (ABS Model Only) | 05-08 | FA244* | FA244HH* | MD624 | MD624 | | FA181X | FA181HH | N/A | | |
| California 1100 | 94-97 | FA18* | FA18HH* | N/A | N/A | | FA18 | FA18HH | N/A | | |
| California EVII | 97-01 | FA95* | FA95HH* | MD614X | MD614X | MD614XC* | FA209/2 | FA209/2HH | N/A | | |
| Griso 1100 | 05-08 | FA244* | FA244HH* | MD621X | MD621X | MD621XC* | FA181X | FA181HH | N/A | | |
| Sport 1100 | 94-99 | FA95* | FA95HH* | MD614X | MD614X | MD614XC* | FA47 | FA47HH | N/A | | |
| Sport Corsa 1100 | 98-99 | FA95* | FA95HH* | N/A | N/A | | FA47 | FA47HH | N/A | | |
| California Jackel 1100 | 99-01 | FA244* | FA244HH* | MD614X | MD614X | MD614XC* | FA209/2 | FA209/2HH | N/A | | |
| California Special 1100 | 99-01 | FA244* | FA244HH* | MD614X | MD614X | MD614XC* | FA209/2 | FA209/2HH | N/A | | |
| Quota 1100 ES | 99-01 | FA209/2* | FA209/2HH* | N/A | N/A | | FA181 | FA181HH | N/A | | |
| V11 Sport/Scura/Naked | 99-00 | FA244* | FA244HH* | MD614X | MD614X | MD614XC* | FA47 | FA47HH | MD692 | | |
| VII Le Mans Series | 01-06 | FA244* | FA244HH* | MD614X | MD614X | MD614XC* | FA47 | FA47HH | MD692 | | |
| California Stone Series | 02-06 | FA244 | FA244HH | - | MD614X | MD614XC | FA209/2 | FA209/2HH | MD692 | | |
| California EV/Special Series | 02-06 | FA244* | FA244HH* | MD614X | MD614X | MD614XC* | FA209/2 | FA209/2HH | MD692 | | |
| Breva 1200 Sport | 08 | FA244* | FA244HH* | N/A | N/A | | FA181X | FA181HH | N/A | | |
| Griso 1200 8V | 09-11 | FA244* | FA244HH* | | | MD621XC* | FA181X | FA181HH | N/A | | |
| Norge 1200 (ABS Model Only) | 06-11 | FA244* | FA244HH* | MD624 | MD624 | | FA181X | FA181HH | MD692 | | |
| Stelvio 1200 (4V/ABS) | 09-11 | FA244* | FA244HH* | MD624 | MD624 | | FA181X | FA181HH | MD692 | | |

MZ/MUZ

| | | | | | | | | | | | |
|--------------------------|-------|--------|----------|-----|---------|--|----------|---------|-------|--|--|
| Moskito/SX 50/RX 50 | 97-05 | FA83 | FA83HH | N/A | | | 503 | | | | |
| Moskito 125 R | 00-05 | FA83 | FA83HH | N/A | | | TBA | | | | |
| RT 125 | 02-05 | FA197 | FA197HH | N/A | | | FA165/2X | | N/A | | |
| SX/SM 125 | 02-05 | FA131X | FA131R | N/A | | | FA165/2X | | N/A | | |
| 500 Country | 93-98 | FA18 | FA18HH | | MD623RS | | 978 | | | | |
| Mastiff 660 | 00-03 | FA177 | | N/A | | | FA173 | | N/A | | |
| Baghira 660 (All models) | 00-05 | FA177 | | N/A | | | FA173 | | N/A | | |
| Skorpion Tour/Traveller | 99-02 | FA126 | FA126HH | | MD619RS | | FA47 | FA47HH | MD637 | | |
| 1000 S | 03-05 | FA145* | FA145HH* | TBA | TBA | | FA254 | FA254HH | TBA | | |

MV (AUGUSTA)

| | | | | | | | | | | | |
|--|-------|--------|------------|-------|-------|--|--|---------|-------|--|--|
| F4 750 (All model) (Nissin Calipers) | 99-03 | | FA424HH* | MD675 | MD675 | | | FA320HH | MD696 | | |
| Brutale 750 (All models) (Nissin Calipers) | 03-05 | | FA424HH* | MD675 | MD675 | | | FA320HH | MD696 | | |
| Brutale 910 S (Nissin Calipers) | 05-08 | | FA424HH* | MD675 | MD675 | | | FA320HH | MD696 | | |
| Brutale 910 R (Brembo Calipers) | 05-08 | | FA322/4HH* | TBA | TBA | | | FA320HH | MD696 | | |
| Brutale 989 R | 08-09 | | FA244HH* | MD675 | MD675 | | | FA320HH | MD696 | | |
| F4 1000 (All models) (Nissin Calipers) | 04-06 | | FA424HH* | MD675 | MD675 | | | FA320HH | MD696 | | |
| F4R 1000 (Brembo Calipers) | 06-07 | | FA322/4HH* | TBA | TBA | | | FA320HH | MD696 | | |
| F4R 312R 1000 (Brembo calipers) | 07 | | FA322/4HH* | TBA | TBA | | | FA320HH | MD696 | | |
| F4 CC (1078cc) | 07-08 | | FA435/4HH* | TBA | TBA | | | FA320HH | MD696 | | |
| F4 (998cc) | 10 | | FA447HH* | TBA | TBA | | | FA320HH | MD696 | | |
| Brutale 990 R | 10 | FA244* | FA244HH* | MD675 | MD675 | | | FA320HH | MD696 | | |
| Brutale 1078cc RR | 08-09 | | FA447HH* | TBA | TBA | | | FA320HH | MD696 | | |
| F4 RR 312 1078cc | 08-09 | | FA447HH* | TBA | TBA | | | FA320HH | MD696 | | |
| F4 RR 1078 | 08-09 | | FA447HH* | TBA | TBA | | | FA320HH | MD696 | | |

All part numbers, prefixes and suffixes shown in this catalog are unique and form a registered copyright as the property of EBC Brakes and its UK trademark owners

* symbol after part# = 2 pieces reqd. i.e. 2 pad sets or 2 contour rotors

PAD/SHOE/ROTOR Applications for NON JAPANESE STREET Bikes

NON-JAPANESE STREET BIKES

MV (AUGUSTA) Contd.

| Year | FRONT | | | | | REAR | | | | | |
|---|--------------------|------------------------|-----------------------|---------|--------------------------------|--------------|--------------------|------------------------|----------------------|--------------------------------|--------------|
| | ORGANIC PADS/SHOES | SINTERED Double-H PADS | OE REPLACEMENT ROTORS | | CONTOUR ROTOR (see Tech Pages) | CUSTOM ROTOR | ORGANIC PADS/SHOES | SINTERED Double-H PADS | OE REPLACEMENT ROTOR | CONTOUR ROTOR (see Tech Pages) | CUSTOM ROTOR |
| | | | LEFT | RIGHT | | | | | | | |
| Brutale 1090 RR | 10 | | FA447HH* | TBA | TBA | | | FA320HH | MD696 | | |
| PEUGEOT | | | | | | | | | | | |
| Scout Elec | 04-05 | 303 | | | | | 303 | | | | |
| Speedfight 2 X-Team (A/C) | 02-05 | FA115 | FA115HH | MD925D | | | 303 | | | | |
| Vivacity X-Race 50/Pulsa 50 | 02-05 | FA115 | FA115HH | MD901D | | | 303 | | | | |
| Metal-X All models | 02-05 | FA115 | FA115HH | MD901D | | | 303 | | | | |
| Jet Force 50 | 03-05 | FA115 | FA115HH | TBA | | | FA115 | FA115HH | MD901D | | |
| Trekker 50 | 02-05 | FA115 | FA115HH | MD901D | | | 303 | | | | |
| Looxor 50 | 02-05 | FA115 | FA115HH | MD954D | | | 303 | | | | |
| Elyseo 50 | 02 | FA115 | FA115HH | MD901D | | | 303 | | | | |
| Elyseo 50 | 03-05 | FA115 | FA115HH | MD901D | | | FA115 | FA115HH | MD925D | | |
| Elystar 50 P | 03-05 | FA115 | FA115HH | MD947D | | | FA350 | | MD978D | | |
| Ludix 50 Trend/One/Snake/Bullet (10 wheels) | 04-05 | FA115 | FA115HH | MD904D | | | 303 | | | | |
| Ludix 50 Elegance/Ambition (14 wheels) | 04-05 | FA115 | FA115HH | MD901D | | | 303 | | | | |
| XR6 50cc | 03-05 | FA167 | FA167HH | N/A | | | FA115 | FA115HH | N/A | | |
| X Race 50 LNDP LC/100NP AC Speedfight | 03-05 | FA115 | FA115HH | MD925D | | | FA115 | FA115HH | MD925D | | |
| Elyseo 100 | 03-05 | FA115 | FA115HH | MD947D | | | FA115 | FA115HH | MD925D | | |
| Looxor 100 | 02-05 | FA115 | FA115HH | MD954D | | | FA115 | FA115HH | MD901D | | |
| Elyseo 125/150 | 03-05 | FA194 | FA194HH | MD977D | | | FA350 | | MD978D | | |
| Elystar 125/150 P | 03-05 | FA194 | FA194HH | MD980D | | | FA350 | | MD978D | | |
| Jet Force 125 EFI/Compressor | 03-05 | FA194 | FA194HH | TBA | | | FA350 | | MD978D | | |
| Ludix 125 | 04-05 | FA115 | FA115HH | MD901D | | | 303 | | | | |
| PIAGGIO | | | | | | | | | | | |
| Fly 50 | 05-11 | FA353 | FA353HH | MD910D | | | 816 | | | | |
| LT 50 | 97-05 | FA260 | FA260HH | MD956D | | | 816 | | | | |
| Typhoon 50/SE | 06 | FA83/2 | FA83/2HH | MD9126D | | | 899 | | | | |
| Typhoon 50 | 07-09 | FA83/2 | FA83/2HH | MD9126D | | | 893 | | | | |
| Fly 150 | 06-11 | FA353 | FA353HH | MD910D | | | 816 | | | | |
| LT 150 | 98-05 | FA260 | FA260HH | MD956D | | | 816 | | | | |
| BV 200 (Grimeca Caliper) | 02-06 | FA194 | FA194HH | MD961D | | | FA194 | FA194HH | MD961D | | |
| BV 250 (Heng Tong Caliper) | 06-11 | FA353 | FA353HH | MD961D | | | FA353 | FA353HH | MD961D | | |
| MP3 (250cc) 3 Wheeler | 07-11 | FA260* | FA260HH* | MD9112D | MD9112D | | FA425 | FA425HH | MD960D | | |
| MP3 (250cc) 3 Wheeler Parking brake | 07-11 | FA257/2 | | | | | | | | | |
| MP3 400ie (Three wheeler) | 07-11 | FA260* | FA260HH* | MD9112D | MD9112D | | FA353 | FA353HH | MD960D | | |
| MP3 400ie (Three wheeler) Parking brake | 07-11 | FA257/2 | | | | | | | | | |
| BV 500 | 06-11 | FA266* | FA266HH* | MD961D | MD961D | | FA266 | FA266HH | MD960D | | |
| MP3 500 (Three wheeler) | 07-11 | FA260* | FA260HH* | MD9112D | MD9112D | | FA353 | FA353HH | MD960D | | |
| MP3 500 (Three wheeler) Parking brake | 07-11 | FA257/2 | | | | | | | | | |
| X9 500 Evolution | 05-09 | FA181* | FA181HH* | MD983D | MD983D | | FA266 | FA266HH | MD960D | | |
| SACHS | | | | | | | | | | | |
| Mad Ass 50 | 09 | FA86 | FA86HH | N/A | | | FA54 | FA54HH | N/A | | |
| Mad Ass 125 | 10-11 | FA86 | FA86HH | N/A | | | FA54 | FA54HH | N/A | | |
| SYM | | | | | | | | | | | |
| DD 50 | 02-08 | FA151 | | MD933D | | | 333 | | | | |
| Fiddle 50 Drum front model | 99-09 | 303 | | | | | 302 | | | | |
| Fiddle 50 Front disc model | 08-11 | FA264 | FA264HH | TBA | | | 303 | | | | |
| Jet Euro 50 | 99-11 | FA264 | FA264HH | MD9116D | | | 303 | | | | |
| M10 50 | 05-11 | FA151 | | MD933D | | | 303 | | | | |
| RS 50 | 04-10 | FA306 | | N/A | | | TBA | | | | |
| Simply 50 | 07-11 | FA264 | FA264HH | TBA | | | 303 | | | | |
| Symba 110 | 09-11 | 820 | | | | | 303 | | | | |
| Fiddle II 125 (AW 125 W) | 08-11 | FA264 | FA264HH | TBA | | | 820 | | | | |
| HD 125 (LH 125 W) | 08-11 | FA305 | FA305HH | TBA | | | 820 | | | | |
| HS 125/200 | 04-08 | FA305 | FA305HH | N/A | | | 820 | | | | |

All part numbers, prefixes and suffixes shown in this catalog are unique and form a registered copyright as the property of EBC Brakes and its UK trademark owners

* symbol after part# = 2 pieces reqd.
i.e. 2 pad sets or 2 contour rotors

PAD/SHOE/ROTOR Applications for NON JAPANESE STREET Bikes

NON-JAPANESE STREET BIKES

SYM Contd.

| | Year | FRONT | | | | | REAR | | | | | |
|------------------------|-------|--------------------|------------------------|----------------------------|-------|--------------------------------|--------------|--------------------|------------------------|----------------------|--------------------------------|--------------|
| | | ORGANIC PADS/SHOES | SINTERED Double-H PADS | OE REPLACEMENT ROTORS LEFT | RIGHT | CONTOUR ROTOR (see Tech Pages) | CUSTOM ROTOR | ORGANIC PADS/SHOES | SINTERED Double-H PADS | OE REPLACEMENT ROTOR | CONTOUR ROTOR (see Tech Pages) | CUSTOM ROTOR |
| HD 200 | 08-11 | FA305 | FA305HH | TBA | | | | 820 | | | | |
| RV 250 (LM 250 W) | 07-11 | FA283* | FA283HH* | TBA | | | | FA427 | FA427HH | TBA | | |
| Citycom 300i (LH 300W) | 08-11 | FA264 | FA264HH | TBA | | | | FA427 | FA427HH | TBA | | |

TGB/PEIRSPEED

| | | | | | | | | | | | | |
|-----------------------------------|-------|-------|---------|---------|--|--|--|------|--|---------|--|--|
| Laser R5/i (49cc) | 08-11 | FA83 | FA83HH | TBA | | | | 897 | | | | |
| R 50 X | 06-11 | FA93 | | MD9115D | | | | FA83 | | MD9115D | | |
| Sunset 50 | 06-08 | FA83 | FA83HH | MD923D | | | | 897 | | | | |
| 101 S (50) Key West | 05-11 | FA83 | FA83HH | MD923D | | | | 897 | | | | |
| Delivery 50 (Up to Eng/No 609099) | 04-05 | FA264 | FA264HH | MD923D | | | | 897 | | | | |
| Delivery 50 (From Eng/No 6091000) | 06-11 | FA83 | FA83HH | MD923D | | | | 897 | | | | |
| Delivery 151 | 04-11 | FA93 | | MD9115D | | | | 820 | | | | |
| Laser R9/i (151cc) | 08-11 | FA93 | | MD9115D | | | | 820 | | | | |
| Sunset 151 | 06-08 | FA83 | FA83HH | MD923D | | | | 820 | | | | |

TOMOS

| | | | | | | | | | | | | |
|-----------------------|-------|-------|--|-----|--|--|--|-----|--|--|--|--|
| Revival/TS/Streetmate | 03-08 | FA116 | | N/A | | | | TBA | | | | |
|-----------------------|-------|-------|--|-----|--|--|--|-----|--|--|--|--|

TRIUMPH (MERIDEN PRODUCED MACHINES)

| | | | | | | | | | | | | |
|---|-------|-------|---------|-------|------|--|--|------|--------|-------|--|--|
| Cub 500 | | 858 | | | | | | 858 | | | | |
| T120 (650cc / Twin Leading Shoe) | 66-70 | 853 | | | | | | 854 | | | | |
| T140V Bonneville (Drum Rear Brake / 5 Speed G/Box) | 73-74 | FA16 | FA16HH | MD656 | NOTE | | | N/A | | | | |
| T140V Bonneville (Discs All Round / 5 Speed G/Box) | 75-78 | FA16 | FA16HH | MD656 | NOTE | | | FA16 | FA16HH | MD656 | | |
| T140 Silver Jubilee Bonneville | 77 | FA16 | FA16HH | MD656 | NOTE | | | FA16 | FA16HH | MD656 | | |
| T140E Bonneville | 78-83 | FA16 | FA16HH | MD656 | NOTE | | | FA16 | FA16HH | MD656 | | |
| T140D Bonneville (Lester Alloy Wheels) | 79-81 | FA16 | FA16HH | MD656 | NOTE | | | FA16 | FA16HH | MD656 | | |
| T140 ES (Electric Start) | 80-81 | FA16 | FA16HH | MD656 | NOTE | | | FA16 | FA16HH | MD656 | | |
| T140 E / ES (Executive / Moris Alloy Wheels) | 81-83 | FA16 | FA16HH | MD656 | NOTE | | | FA16 | FA16HH | MD656 | | |
| TSS 750 (8 Valve) | 83 | FA16 | FA16HH | MD656 | NOTE | | | FA16 | FA16HH | MD656 | | |
| TSX 750 (8 Valve) | 83 | FA16 | FA16HH | MD656 | NOTE | | | FA16 | FA16HH | MD656 | | |
| T140 Bonneville (L.F. Harrie Production Bike / Brembo Calipers) | 85-88 | FA18* | FA18HH* | N/A | N/A | | | FA18 | FA18HH | N/A | | |

NOTE = If second front disc is fitted as a retro fit on the right, order FA18 / MD656 qty 1 of each

TRIUMPH (HINCKLEY PRODUCED MACHINES)

| | | | | | | | | | | | | |
|--|-------|--------|----------|---------|--------|----------|--|---------|-----------|-------|--------|--|
| Adventurer | 96-01 | FA196 | FA196HH | MD642LS | | | | FA196 | FA196HH | MD643 | | |
| Floating disc conversion available | | | | MD629 | | | | | | | | |
| America (865cc) (Cast wheel) | 06-09 | FA196 | FA196HH | MD649 | | | | FA214/2 | FA214/2HH | MD643 | | |
| Floating disc conversion available | | | | MD601LS | | | | | | | | |
| New America (865cc) (Cast wheel) | 10-11 | FA196 | FA196HH | MD821 | | | | FA214/2 | FA214/2HH | MD643 | | |
| Floating disc conversion available | | | | MD821X | | | | | | | | |
| Bonneville America (790cc) | 02-06 | FA196 | FA196HH | MD649 | | | | FA214/2 | FA214/2HH | MD643 | | |
| Floating disc conversion available | | | | MD601LS | | | | | | | | |
| Bonneville 800 (790cc) | 01-06 | FA196 | FA196HH | MD649 | | | | FA214/2 | FA214/2HH | MD663 | | |
| Floating disc conversion available | | | | MD601LS | | | | | | | | |
| Bonneville T100 (865cc) | 02-09 | FA196 | FA196HH | MD649 | | | | FA214/2 | FA214/2HH | MD663 | | |
| Floating disc conversion available | | | | MD601LS | | | | | | | | |
| Bonneville/Bonneville Black (865cc) | 06-08 | FA196 | FA196HH | MD649 | | | | FA214/2 | FA214/2HH | MD663 | | |
| Floating disc conversion available | | | | MD601LS | | | | | | | | |
| Bonneville (865cc) (Cast wheel) | 09-11 | FA196 | FA196HH | TBA | | | | FA214/2 | FA214/2HH | MD663 | | |
| Floating disc conversion available | | | | MD821X | | | | | | | | |
| Bonneville SE (865cc) (Cast wheel) | 09-11 | FA196 | FA196HH | TBA | | | | FA214/2 | FA214/2HH | MD663 | | |
| Floating disc conversion available | | | | MD821X | | | | | | | | |
| Daytona 600 | 03-04 | FA236* | FA236HH* | MD662X | MD662X | MD662XC* | | FA140 | FA140HH | MD648 | MD648C | |
| T595 Daytona (6 bolt) front disc | 97 | FA236* | FA236HH* | MD647X | MD647X | MD647XC* | | FA214/2 | FA214/2HH | MD648 | MD648C | |
| Daytona 650 | 05 | FA236* | FA236HH* | MD662X | MD662X | MD662XC* | | FA140 | FA140HH | MD648 | MD648C | |
| Daytona 675 | 06-08 | | FA347HH* | MD800X | MD800X | MD800XC* | | FA140 | FA140HH | MD648 | MD648C | |
| Daytona 675 (Black Nissin Monobloc Radial Caliper) | 09-11 | | FA491HH* | MD800X | MD800X | MD800XC* | | FA140 | FA140HH | MD648 | MD648C | |

All part numbers, prefixes and suffixes shown in this catalog are unique and form a registered copyright as the property of EBC Brakes and its UK trademark owners

* symbol after part# = 2 pieces reqd. i.e. 2 pad sets or 2 contour rotors

PAD/SHOE/ROTOR Applications for NON JAPANESE STREET Bikes

NON-JAPANESE STREET BIKES

TRIUMPH (HINCKLEY PRODUCED MACHINES) Contd.

| | | FRONT | | | | | REAR | | | | | |
|---|-------|------------|---------------|-----------------------|---------|------------------|---------|------------|---------------|----------------|------------------|--------|
| | | ORGANIC | SINTERED | OE REPLACEMENT ROTORS | | CONTOUR ROTOR | CUSTOM | ORGANIC | SINTERED | OE REPLACEMENT | CONTOUR ROTOR | CUSTOM |
| | | PADS/SHOES | Double-H PADS | LEFT | RIGHT | (see Tech Pages) | ROTOR | PADS/SHOES | Double-H PADS | ROTOR | (see Tech Pages) | ROTOR |
| 675 R (Brembo calipers) | 11 | | FA447HH* | MD800X | MD800X | MD800XC* | FA140 | FA140HH | MD648 | MD648C | | |
| Daytona 955i (6 bolt) (single sided swinging arm) front disc | 98-00 | FA236* | FA236HH* | MD647X | MD647X | MD647XC* | FA214/2 | FA214/2HH | MD648 | MD648C | | |
| Daytona 955i (from VIN132513) (5 bolt) (Single sided s/arm) | 01-04 | FA236* | FA236HH* | MD669X | MD669X | | FA140 | FA140HH | MD648 | | | |
| Daytona 955i (from VIN132513) (5 bolt front disc) | | | | | | | | | | | | |
| (Double sided s/arm) | 01-04 | FA236* | FA236HH* | MD669X | MD669X | | FA140 | FA140HH | MD648 | | | |
| Daytona 750 (3 cyl) | 92 | FA236* | FA236HH* | MD640 | MD640 | | FA215/2 | FA215/2HH | MD641 | | | |
| Daytona 1000 (4 cyl) | 92 | FA236* | FA236HH* | MD640 | MD640 | | FA215/2 | FA215/2HH | MD641 | | | |
| Daytona 900 (3 cyl) | 93-96 | FA236* | FA236HH* | MD640 | MD640 | | FA215/2 | FA215/2HH | MD641 | | | |
| Daytona Super III (3 cyl) | 94-97 | FA190* | FA190HH* | MD640 | MD640 | | FA215/2 | FA215/2HH | MD641 | | | |
| Daytona 1200 (4 cyl) | 93-98 | FA236* | FA236HH* | MD640 | MD640 | | FA215/2 | FA215/2HH | MD641 | | | |
| Legend TT | 98-01 | FA196 | FA196HH | MD642LS | | | FA196 | FA196HH | MD643 | | | |
| Floating disc conversion available | | | | MD629 | | | | | | | | |
| Rocket III 2300cc | 04-09 | | FA236HH* | MD669X | MD669X | MD669XC* | | FA209/2HH | MD699 | | | |
| Rocket III Classic | 07-09 | | FA236HH* | MD669X | MD669X | MD669XC* | | FA209/2HH | MD699 | | | |
| Rocket III Roadster (2300cc) | 11 | | FA236HH* | TBA | TBA | | | FA209/2HH | MD699 | | | |
| Rocket III Touring | 09-11 | | FA236HH* | TBA | TBA | | | FA209/2HH | MD699 | | | |
| Scrambler (865cc) | 06-11 | FA196 | FA196HH | MD649 | | | FA214/2 | FA214/2HH | MD663 | | | |
| Floating disc conversion available | | | | MD601LS | MD601RS | | | | | | | |
| Speed Triple (carb models) | 94-97 | FA236* | FA236HH* | MD640 | MD640 | | FA215/2 | FA215/2HH | MD641 | | | |
| Speed Triple (EFI) T509 - 885cc & 955cc (up to VIN 141871) | | | | | | | | | | | | |
| (6 bolt front disc) | 97-01 | FA236* | FA236HH* | MD647X | MD647X | MD647XC* | FA214/2 | FA214/2HH | MD648 | MD648C | | |
| Speedtriple 955cc (from VIN 141872) (5 bolt front disc) | 02-04 | FA236* | FA236HH* | MD669X | MD669X | MD669XC* | FA214/2 | FA214/2HH | MD648 | MD648C | | |
| Speedtriple (1050cc) (Nissin Radial caliper) | 05-07 | | FA347HH* | MD679 | MD679 | | FA214/2 | FA214/2HH | MD648 | | | |
| Speedtriple (1050cc) (Brembo radial calipers) | 08-11 | | FA322/4HH* | MD817X | MD817X | MD817XC* | FA214/2 | FA214/2HH | MD648 | MD648C | | |
| Speedfour 600 | 02-05 | FA236* | FA236HH* | MD662X | MD662X | MD662XC* | FA140 | FA140HH | MD648 | MD648C | | |
| Speed Triple 675 | 08 | FA226* | FA226HH* | TBA | TBA | | FA140 | FA140HH | MD648 | MD648C | | |
| Speedmaster 800 (790cc) | 03-04 | FA196* | FA196HH | MD649 | MD649 | | FA214/2 | FA214/2HH | MD643 | | | |
| Floating disc conversion available | | | | MD601LS | MD601RS | | | | | | | |
| Speedmaster (865cc) | 05-09 | FA196* | FA196HH* | MD649* | MD649 | | FA214/2 | FA214/2HH | MD643 | | | |
| Floating disc conversion available | | | | MD601LS | MD601RS | | | | | | | |
| Speedmaster (865cc) | 10-11 | FA142* | FA142HH* | MD822 | MD822 | | FA214/2 | FA214/2HH | MD643 | | | |
| Sprint (All carb models) Up to VIN 9082 | 93 | FA214 | FA214HH | MD646LS | | | FA215/2 | FA215/2HH | MD641 | | | |
| Left | | | | | | | | | | | | |
| Right | | FA215 | FA215HH | | MD646RS | | | | | | | |
| Sprint (All carb models from VIN 9083) | 94-98 | FA236* | FA236HH* | MD640 | MD640 | | FA215/2 | FA215/2HH | MD641 | | | |
| Sprint RS (up to VIN 139276) (6 bolt front disc) | | | | | | | | | | | | |
| (double sided swinging arm) | 99-01 | FA236* | FA236HH* | MD647X | MD647X | MD647XC* | FA215/2 | FA215/2HH | MD663 | | | |
| Sprint RS (from VIN 139277) (6 bolt front disc) | | | | | | | | | | | | |
| Note: up to VIN 161317 double sided swinging arm | 02 | FA236* | FA236HH* | MD647X | MD647X | MD647XC* | FA215/2 | FA215/2HH | MD663 | | | |
| Sprint RS (from VIN 139277) (Single sided swing arm up to VIN 161317) (6 bolt front disc) Note: from VIN 161318 | | | | | | | | | | | | |
| double sided swinging arm | 03-04 | FA236* | FA236HH* | MD647X | MD647X | MD647XC* | FA214/2 | FA214/2HH | MD663 | | | |
| Sprint ST (up to VIN 139276) (6 bolt front disc) | | | | | | | | | | | | |
| Single sided swing arm | 99-01 | FA236* | FA236HH* | MD647X | MD647X | MD647XC* | FA214/2 | FA214/2HH | MD663 | | | |
| Sprint ST (from VIN 139277) (6 bolt front disc) | | | | | | | | | | | | |
| Single sided swing arm | 02-04 | FA236* | FA236HH* | MD647X | MD647X | MD647XC* | FA214/2 | FA214/2HH | MD663 | | | |
| Sprint GT (1050cc/ ABS) | 10-11 | FA236* | FA236HH* | MD817X | MD817X | MD817XC* | FA214/2 | FA214/2HH | MD820 | | | |
| Sprint ST (1050cc) | 05-09 | FA236* | FA236HH* | MD669X | MD669X | MD669XC* | FA214/2 | FA214/2HH | MD663 | | | |
| Street Triple 675 | 07-11 | FA226* | FA226HH* | MD800X | MD800X | MD800XC* | FA140 | FA140HH | MD648 | MD648C | | |
| Street Triple R 675 (Radial caliper) | 09-11 | | FA347HH* | MD800X | MD800X | MD800XC* | FA140 | FA140HH | MD648 | MD648C | | |
| Thunderbird | 95-03 | FA196 | FA196HH | MD642LS | | | FA196 | FA196HH | MD643 | | | |
| Floating disc conversion available | | | | MD629 | | | | | | | | |
| Thunderbird Sport | 98-03 | FA196* | FA196HH* | MD649 | MD649 | | FA196 | FA196HH | MD643 | | | |
| Floating disc conversion available | | | | MD601LS | MD601RS | | | | | | | |
| Thunderbird (1600cc/Cast wheel) | 09-11 | FA236* | FA236HH* | MD825 | MD825 | | FA209/2 | FA209/2HH | MD831 | | | |
| Thunderbird Storm (1700cc/Cast wheel) | 09-11 | FA236* | FA236HH* | MD825 | MD825 | | FA209/2 | FA209/2HH | MD831 | | | |
| Trident 900 | 92-98 | FA214 | FA214HH | MD646LS | | | FA215/2 | FA215/2HH | MD641 | | | |
| Left | | | | | | | | | | | | |
| Right | | FA215 | FA215HH | | MD646RS | | | | | | | |

All part numbers, prefixes and suffixes shown in this catalog are unique and form a registered copyright as the property of EBC Brakes and its UK trademark owners

* symbol after part # = 2 pieces reqd.
i.e. 2 pad sets or 2 contour rotors

STREET BIKES

← FRONT → REAR →

TRIUMPH (HINCKLEY PRODUCED MACHINES) Contd. Year

| | | Year | FRONT | | | | | REAR | | | | | |
|--------------------------------------|-------|-------|--------------------|------------------------|-----------------------|---------|--------------------------------|--------------|--------------------|------------------------|----------------------|--------------------------------|--------------|
| | | | ORGANIC PADS/SHOES | SINTERED Double-H PADS | OE REPLACEMENT ROTORS | | CONTOUR ROTOR (see Tech Pages) | CUSTOM ROTOR | ORGANIC PADS/SHOES | SINTERED Double-H PADS | OE REPLACEMENT ROTOR | CONTOUR ROTOR (see Tech Pages) | CUSTOM ROTOR |
| | | | LEFT | RIGHT | | | | | | | | | |
| Trophy 900 (3 cyl) (up to VIN 9082) | Left | 92-93 | FA214 | FA214HH | MD646LS | | | | | FA215/2 | FA215/2HH | MD641 | |
| | Right | | FA215 | FA215HH | | MD646RS | | | | | | | |
| Trophy 900 (3 cyl) From VIN 9083 | | 94-01 | FA236* | FA236HH* | MD640 | MD640 | | | | FA215/2 | FA215/2HH | MD641 | |
| Trophy 1200 (4 cyl) (up to VIN 4901) | Left | 92-93 | FA214 | FA214HH | MD646LS | | | | | FA215/2 | FA215/2HH | MD641 | |
| | Right | | FA215 | FA215HH | | MD646RS | | | | | | | |
| Trophy 1200 (4 cyl) From VIN 4902 | | 94-01 | FA236* | FA236HH* | MD640 | MD640 | | | | FA215/2 | FA215/2HH | MD641 | |
| TT 600 | | 00-03 | FA236* | FA236HH* | MD662X | MD662X | MD662XC* | | | FA140 | FA140HH | MD648 | MD648C |
| Thrupton 900 | | 04-11 | FA142 | FA142HH | MD629 | | | | | FA214/2 | FA214/2HH | MD663 | |

UM (United Motors)

| | | | | | | | | | | | | | |
|---|-------|-------|-------|---------|--------|-------|---------|--|--|-------|---------|-------|--------|
| X-Peed 50/Special Edition | | 00-05 | FA83 | FA83HH | MD923D | | | | | Y503 | | | |
| Xpeed 50 R | | 07-08 | FA83 | FA83HH | N/A | | | | | TBA | | | |
| Zyclone 50 | | 04-05 | FA235 | | MD923D | | | | | Y504 | | | |
| Matrix 150 XX (Single piston caliper) | | 05-06 | FA54 | FA54HH | | N/A | | | | TBA | | TBA | |
| Matrix 11-150 | | 07-08 | FA323 | FA323HH | | N/A | | | | FA264 | | N/A | |
| Matrix 11-150 Handbrake Shoes | | 07-08 | TBA | | | | | | | | | | |
| Powermax 150 XX (Single piston caliper) | | 05-06 | FA54 | FA54HH | | N/A | | | | TBA | | TBA | |
| Powermax 150 XX (Single piston caliper) Handbrake Shoes | | 05-06 | TBA | | | | | | | | | | |
| Powermax 150 XX (Two piston caliper) | | 05-06 | FA323 | FA323HH | | N/A | | | | TBA | | TBA | |
| Powermax 150 XX (Two piston caliper) Handbrake Shoes | | 05-06 | TBA | | | | | | | | | | |
| Renegade 200 | | 03-06 | FA196 | FA196HH | TBA | | | | | TBA | | | |
| V2C-250 T | | 06-08 | FA86 | FA86HH | N/A | | | | | 602 | | | |
| V2S 250 R | | 06-08 | FA86* | FA86HH* | MD691 | MD691 | | | | FA86 | FA86HH | N/A | |
| X-Peed 250 i | Left | 08 | FA228 | FA228HH | N/A | | | | | FA197 | FA197HH | N/A | |
| | Right | | FA197 | FA197HH | | N/A | | | | | | | |
| V2C-650 S | | 06-08 | FA86* | FA86HH* | N/A | N/A | | | | FA86 | FA86HH | N/A | |
| V2S 650/R | | 06-08 | FA86* | FA86HH* | MD690 | MD690 | MD690C* | | | FA86 | FA86HH | MD689 | MD689C |

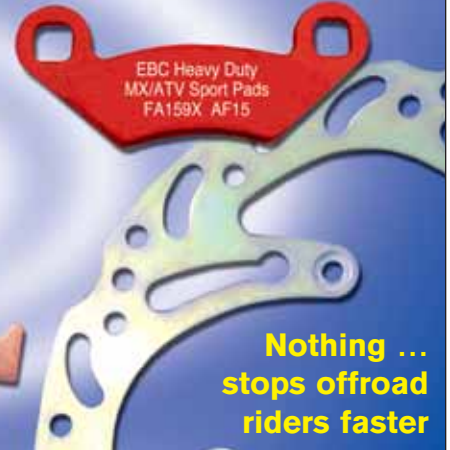
VESPA

| | | | | | | | | | | | | | |
|---|--|-------|-------|---------|--------|--------|--|--|--|-------|---------|--------|--|
| ET2 50cc | | 97-04 | FA260 | FA260HH | MD910D | | | | | 899 | | | |
| LX 50 | | 05-11 | FA260 | FA260HH | MD910D | | | | | 899 | | | |
| S 50 (4T/4V) | | 08-11 | FA260 | FA260HH | MD910D | | | | | 899 | | | |
| ET4 150cc | | 99-04 | FA260 | FA260HH | MD910D | | | | | 899 | | | |
| LX 150 | | 05-11 | FA260 | FA260HH | MD910D | | | | | 899 | | | |
| LXV 150 ie | | 10-11 | FA260 | FA260HH | MD910D | | | | | 899 | | | |
| PX 150 (All models) | | 05-06 | FA186 | | | MD910D | | | | V903 | | | |
| S 150 | | 08-11 | FA260 | FA260HH | MD910D | | | | | 899 | | | |
| GT 200 L (Grimeca caliper) | | 05-09 | FA194 | FA194HH | MD956D | | | | | FA321 | FA321HH | MD956D | |
| GT 200 L Gran Turismo (Heng Tong caliper) | | 05-09 | FA353 | FA353HH | MD956D | | | | | FA321 | FA321HH | MD956D | |
| GTS 250 | | 05-09 | FA353 | FA353HH | MD956D | | | | | FA321 | FA321HH | MD956D | |
| GTV 250 | | 07-09 | FA353 | FA353HH | MD956D | | | | | FA321 | FA321HH | MD956D | |
| GT 60 (250cc Ltd Edition) | | 06-08 | FA353 | FA353HH | MD956D | | | | | FA321 | FA321HH | MD956D | |
| LXV 250 | | 07-09 | FA353 | FA353HH | MD956D | | | | | FA321 | FA321HH | MD956D | |
| GTS 300 | | 08-11 | FA353 | FA353HH | MD956D | | | | | FA321 | FA321HH | MD956D | |
| GTS 300 Super | | 10-11 | FA353 | FA353HH | MD956D | | | | | FA321 | FA321HH | MD956D | |
| GTV 300 | | 10-11 | FA353 | FA353HH | MD956D | | | | | FA321 | FA321HH | MD956D | |

PAD/SHOE/ROTOR Applications for Japanese DIRT Bikes

Choose from standard (full circle) rotors with D suffix or extra lightweight contoured rotors with C suffix. For improved stopping power and brake modulation, consider the oversize rotor kit option (OS series) or the supermoto designs (SM series).

Both OS and SM series rotor kits come complete with US made billet alloy relocation brackets, ready to bolt on.



Nothing ... stops offroad riders faster

DIRT BIKES

HONDA

| Year | FRONT | | | | | | REAR | | | | | |
|-------------------|-----------------------|--------------------|---------------|--------------------|----------------|----------------|-----------------------|--------------------|---------------|--------------------|---------------|---------|
| | Brake PAD/Shoe Detail | | | Brake ROTOR Detail | | | Brake PAD/Shoe Detail | | | Brake ROTOR Detail | | |
| | SPORT CARBON | LONG LIFE SINTERED | RACE SINTERED | STANDARD ROTOR | OVERSIZE ROTOR | CONTOUR ROTOR | SPORT CARBON | LONG LIFE SINTERED | RACE SINTERED | STANDARD ROTOR | CONTOUR ROTOR | |
| *X* PADS/SHOES | *R* PADS | *MXS* PADS | WITHOUT PADS | WITH BRACKET | See Tech Pages | *X* PADS/SHOES | *R* PADS | *MXS* PADS | WITHOUT PADS | See Tech Pages | | |
| CRF 50 F | 04-09/11 | 301 | N/A | | | | 301 | N/A | | | | |
| XR 50 R | 00-03 | 301 | N/A | | | | 301 | N/A | | | | |
| Z 50 R | 80-99 | 301 | N/A | | | | 301 | N/A | | | | |
| Z 50 RD | 86 | 301 | N/A | | | | 301 | N/A | | | | |
| ZB 50 | 88 | 303 | 303G | | | | 303 | 303G | | | | |
| CR 60 R | 83-84 | 333 | 333G | | | | 333 | 333G | | | | |
| CRF 70 F | 04-09/11 | 333 | 333G | | | | 333 | 333G | | | | |
| CT 70 Trail | 77-82 | 303 | 303G | | | | 303 | 303G | | | | |
| CT 70 Trail | 91-94 | 303 | 303G | | | | 303 | 303G | | | | |
| XR 70 R | 97-03 | 333 | 333G | | | | 333 | 333G | | | | |
| CR 80 R | 80-81 | 304 | 304G | | | | 304 | 304G | | | | |
| CR 80 R | 82 | 304 | 304G | | | | 333 | 333G | | | | |
| CR 80 R | 83-84 | 333 | 333G | | | | 333 | 333G | | | | |
| CR 80 R | 85 | 333 | 333G | | | | 338 | 338G | | | | |
| CR 80 R | 86-91 | FA84X | FA84R | MXS84 | MD6004D | | 338 | 338G | | | | |
| CR 80 R | 92-95 | FA84X | FA84R | MXS84 | MD6004D | | FA131X | FA131R | MXS131 | MD6005D | MD6005C | |
| CR 80 R/RB Expert | 96-02 | FA84X | FA84R | MXS84 | MD6058D | OS6058C | MD6058C | FA131X | FA131R | MXS131 | MD6005D | MD6005C |
| CRF 80 F | 04-09/11 | 333 | 333G | | | | 333 | 333G | | | | |
| XL 80 S | 80-85 | 304 | 304G | | | | 304 | 304G | | | | |
| XR 80 | 79-84 | 304 | 304G | | | | 304 | 304G | | | | |
| XR 80 R | 85-04 | 333 | 333G | | | | 333 | 333G | | | | |
| CR 85 R/RB | 03-07 | FA84X | FA84R | MXS84 | MD6058D | OS6058C | MD6058C | FA131X | FA131R | MXS131 | MD6005D | MD6005C |
| EZ 90 Cub | 91-96 | 303 | 303G | | | | 303 | 303G | | | | |
| CRF 100 F | 04-09/11 | 333 | 333G | | | | 333 | 333G | | | | |
| XL 100 S | 79-85 | 304 | 304G | | | | 304 | 304G | | | | |
| XR 100 | 81-84 | 304 | 304G | | | | 304 | 304G | | | | |
| XR 100 R | 85-04 | 333 | 333G | | | | 333 | 333G | | | | |
| CT 110 Trail | 80-86 | 303 | 303G | | | | 303 | 303G | | | | |
| CR 125 R | 79-81 | 324 | 324G | | | | 330 | 330G | | | | |
| CR 125 R | 82 | 330 | 330G | | | | 330 | 330G | | | | |
| CR 125 R | 83 | 331 | 331G | | | | 331 | 331G | | | | |
| CR 125 R | 84-85 | FA92X | FA92R | | MD6087D | | 331 | 331G | | | | |
| CR 125 R | 86 | FA92X | FA92R | | MD6087D | | 344 | 344G | | | | |
| CR 125 R | 87-88 | FA125X | FA125R | MXS125 | MD6087D | | FA131X | FA131R | MXS131 | MD6009D | | |
| CR 125 R | 89 | FA125X | FA125R | MXS125 | MD6008D | | FA131X | FA131R | MXS131 | MD6002D | | |
| CR 125 R | 90-91 | FA125X | FA125R | MXS125 | MD6003D | | FA131X | FA131R | MXS131 | MD6002D | | |
| CR 125 R | 92-94 | FA125X | FA125R | MXS125 | MD6001D | OS6001EC | MD6001C | FA131X | FA131R | MXS131 | MD6002D | |
| CR 125 R | 95-97 | FA185X | FA185R | MXS185 | MD6037D | OS6037C▲ | MD6037C | FA131X | FA131R | MXS131 | MD6002D | |
| CR 125 R | 98-01 | FA185X | FA185R | MXS185 | MD6037D | OS6037C▲ | MD6037C | FA131X | FA131R | MXS131 | MD6124D | MD6124C |
| CR 125 R | 02-03 | FA185X | FA185R | MXS185 | MD6037D | OS6037C▲ | MD6037C | FA346X | FA346R | MXS346 | MD6191D | MD6191C |

All part numbers, prefixes and suffixes shown in this catalog are unique and form a registered copyright as the property of EBC Brakes and its UK trademark owners

* symbol after part # = 2 pieces reqd.
i.e. 2 pad sets or 2 contour rotors

▲ Supermoto oversize disc conversion available for this disc - see page 335.

PAD/SHOE/ROTOR Applications for Japanese DIRT Bikes

APPLICATIONS

BRAKE

DIRT BIKES

HONDA Contd.

| | Year | FRONT | | | | | | REAR | | | | |
|-------------------|----------|-----------------------|--------------------|---------------|--------------------|----------------|---------------|-----------------------|--------------------|----------------|--------------------|---------------|
| | | Brake PAD/Shoe Detail | | | Brake ROTOR Detail | | | Brake PAD/Shoe Detail | | | Brake ROTOR Detail | |
| | | SPORT CARBON | LONG LIFE SINTERED | RACE SINTERED | STANDARD ROTOR | OVERSIZE ROTOR | CONTOUR ROTOR | SPORT CARBON | LONG LIFE SINTERED | RACE SINTERED | STANDARD ROTOR | CONTOUR ROTOR |
| "X" PADS/SHOES | "R" PADS | "MXS" PADS | WITHOUT PADS | WITH BRACKET | See Tech Pages | "X" PADS/SHOES | "R" PADS | "MXS" PADS | WITHOUT PADS | See Tech Pages | | |
| CR 125 R | 04-07 | FA185X | FA185R | MXS185 | MD6037D | OS6437C▲ | MD6037C | FA346X | FA346R | MXS346 | MD6191D | MD6191C |
| NX 125 | 88-90 | 350 | N/A | | | | | 304 | 304G | | | |
| XL 125 S | 85 | 330 | 330G | | | | | 304 | 304G | | | |
| CRF 150 F | 03-11 | FA185X | FA185R | MXS185 | MD6317D | OS6317C▲ | | 304 | 304G | | | |
| CRF 150 R/RB | 07-11 | FA84X | FA84R | MXS84 | MD6314D | OS6314C | MD6314C | FA346X | FA346R | MXS346 | MD6316D | MD6316C |
| XL 185 S | 79-83 | 304 | 304G | | | | | 304 | 304G | | | |
| TLR 200 Reflex | 86-87 | 304 | 304G | | | | | 333 | 333G | | | |
| TR 200 Fatcat | 86-87 | 304 | 304G | | | | | 304 | 304G | | | |
| XL 200 R | 83-84 | 304 | 304G | | | | | 304 | 304G | | | |
| XR 200 R | 80-84 | 304 | 304G | | | | | 304 | 304G | | | |
| XR 200 R Pro Link | 81-83 | 304 | 304G | | | | | 304 | 304G | | | |
| XR 200 R | 84-02 | 304 | 304G | | | | | 304 | 304G | | | |
| CRF 230 F | 03-11 | FA185X | FA185R | MXS185 | MD6001D | OS6001C▲ | MD6001C | 304 | 304G | | | |
| CRF 230 L | 08-11 | FA185X | FA185R | MXS185 | MD6001D | OS6001C▲ | MD6001C | FA131X | FA131R | MXS131 | MD6013D | MD6013C |
| CRF 230 M | 09-11 | FA185X | FA185R | MXS185 | MD6001D | OS6001C▲ | MD6001C | FA131X | FA131R | MXS131 | MD6013D | MD6013C |
| CR 250 R | 78-80 | 324 | 324G | | | | | 325 | 325G | | | |
| CR 250 R | 81 | 327 | 327G | | | | | 319 | 319G | | | |
| CR 250 R | 82 | 328 | 328G | | | | | 330 | 330G | | | |
| CR 250 R | 83 | 328 | 328G | | | | | 331 | 331G | | | |
| CR 250 R | 84-85 | FA92X | FA92R | | MD6087D | | | 331 | 331G | | | |
| CR 250 R | 86 | FA92X | FA92R | | MD6087D | | | 344 | 344G | | | |
| CR 250 R | 87-88 | FA125X | FA125R | MXS125 | MD6087D | | | FA131X | FA131R | MXS131 | MD6009D | |
| CR 250 R | 89 | FA125X | FA125R | MXS125 | MD6008D | | | FA131X | FA131R | MXS131 | MD6002D | |
| CR 250 R | 90-91 | FA125X | FA125R | MXS125 | MD6003D | | | FA131X | FA131R | MXS131 | MD6002D | |
| CR 250 R | 92-94 | FA125X | FA125R | MXS125 | MD6001D | OS6001EC | MD6001C | FA131X | FA131R | MXS131 | MD6002D | |
| CR 250 R | 95-96 | FA185X | FA185R | MXS185 | MD6037D | OS6037C▲ | MD6037C | FA131X | FA131R | MXS131 | MD6002D | |
| CR 250 R | 97-01 | FA185X | FA185R | MXS185 | MD6037D | OS6037C▲ | MD6037C | FA131X | FA131R | MXS131 | MD6124D | MD6124C |
| CR 250 R | 02-03 | FA185X | FA185R | MXS185 | MD6037D | OS6037C▲ | MD6037C | FA346X | FA346R | MXS346 | MD6191D | MD6191C |
| CR 250 R | 04-07 | FA185X | FA185R | MXS185 | MD6037D | OS6437C▲ | MD6037C | FA346X | FA346R | MXS346 | MD6191D | MD6191C |
| CRF 250 R/RA/RB | 04-11 | FA185X | FA185R | MXS185 | MD6037D | OS6437C▲ | MD6037C | FA346X | FA346R | MXS346 | MD6191D | MD6191C |
| CRF 250 X | 04-11 | FA185X | FA185R | MXS185 | MD6037D | OS6437C▲ | MD6037C | FA346X | FA346R | MXS346 | MD6191D | MD6191C |
| NX 250 | 88-90 | FA185X | FA185R | MXS185 | MD6001D | | MD6001C | 323 | 323G | | | |
| XL 250 S | 78-80 | 312 | 312G | | | | | 323 | 323G | | | |
| XL 250 S | 81 | 312 | 312G | | | | | 318 | 318G | | | |
| XL 250 R Pro Link | 82-87 | 330 | 330G | | | | | 323 | 323G | | | |
| XR 250 | 79-80 | 312 | 312G | | | | | 323 | 323G | | | |
| XR 250 R Pro Link | 81-82 | 327 | 327G | | | | | 323 | 323G | | | |
| XR 250 R Pro Link | 84-87 | FA92X | FA92R | | MD6087D | | | 304 | 304G | | | |
| XR 250 R Pro Link | 88-89 | FA125X | FA125R | MXS125 | MD6087D | | | 304 | 304G | | | |
| XR 250 R Pro Link | 90 | FA125X | FA125R | MXS125 | MD6087D | | | FA131X | FA131R | MXS131 | MD6013D | MD6013C |
| XR 250 R Pro Link | 91-95 | FA125X | FA125R | MXS125 | MD6001D | OS6001CE | MD6001C | FA131X | FA131R | MXS131 | MD6013D | MD6013C |
| XR 250 R | 96-04 | FA185X | FA185R | MXS185 | MD6001D | OS6001C▲ | MD6001C | FA131X | FA131R | MXS131 | MD6013D | MD6013C |
| XR 250 L | 91-92 | FA125X | FA125R | MXS125 | MD6001D | OS6001CE | MD6001C | FA131X | FA131R | MXS131 | MD6013D | MD6013C |
| XR 250 L | 93-96 | FA185X | FA185R | MXS185 | MD6001D | OS6001C | MD6001C | FA131X | FA131R | MXS131 | MD6013D | MD6013C |
| XL 350 R | 84-85 | FA92X | FA92R | | MD6087D | | | 323 | 323G | | | |
| XR 350 R | 83 | 331 | 331G | | | | | 304 | 304G | | | |
| XR 350 R | 84-85 | FA92X | FA92R | | MD6087D | | | 304 | 304G | | | |
| XR 400 R | 96-04 | FA185X | FA185R | MXS185 | MD6001D | OS6001C▲ | MD6001C | FA131X | FA131R | MXS131 | MD6013D | MD6013C |
| CR 450 R | 81 | 327 | 327G | | | | | 319 | 319G | | | |
| CRF 450 R | 02-03 | FA185X | FA185R | MXS185 | MD6037D | OS6037C▲ | MD6037C | FA346X | FA346R | MXS346 | MD6191D | MD6191C |
| CRF 450 R/RA | 04-11 | FA185X | FA185R | MXS185 | MD6037D | OS6437C▲ | MD6037C | FA346X | FA346R | MXS346 | MD6191D | MD6191C |
| CRF 450 X | 05-11 | FA185X | FA185R | MXS185 | MD6037D | OS6437C▲ | MD6037C | FA346X | FA346R | MXS346 | MD6191D | MD6191C |
| CR 480 R | 82 | 327 | 327G | | | | | 330 | 330G | | | |
| CR 480 R | 83 | 328 | 328G | | | | | 331 | 331G | | | |
| CR 500 R | 84-85 | FA92X | FA92R | | MD6087D | | | 331 | 331G | | | |
| CR 500 R | 86 | FA92X | FA92R | | MD6087D | | | 344 | 344G | | | |
| CR 500 R | 87-88 | FA125X | FA125R | MXS125 | MD6087D | | | FA131X | FA131R | MXS131 | MD6009D | |
| CR 500 R | 89 | FA125X | FA125R | MXS125 | MD6008D | | | FA131X | FA131R | MXS131 | MD6002D | |

▲ Supersport oversize disc conversion available for this disc - see page 335.

All part numbers, prefixes and suffixes shown in this catalog are unique and form a registered copyright as the property of EBC Brakes and its UK trademark owners

* symbol after part# = 2 pieces reqd. i.e. 2 pad sets or 2 contour rotors

PAD/SHOE/ROTOR Applications for Japanese DIRT Bikes

DIRT BIKES

HONDA Contd.

| | Year | FRONT | | | | | | REAR | | | | | |
|-------------------------------|----------|-----------------------|--------------------|---------------|--------------------|----------------|---------------|-----------------------|--------------------|----------------|--------------------|---------------|--|
| | | Brake PAD/Shoe Detail | | | Brake ROTOR Detail | | | Brake PAD/Shoe Detail | | | Brake ROTOR Detail | | |
| | | SPORT CARBON | LONG LIFE SINTERED | RACE SINTERED | STANDARD ROTOR | OVERSIZE ROTOR | CONTOUR ROTOR | SPORT CARBON | LONG LIFE SINTERED | RACE SINTERED | STANDARD ROTOR | CONTOUR ROTOR | |
| *X* PADS/SHOES | *R* PADS | *MXS* PADS | WITHOUT PADS | WITH BRACKET | See Tech Pages | *X* PADS/SHOES | *R* PADS | *MXS* PADS | WITHOUT PADS | See Tech Pages | | | |
| CR 500 R | 90-91 | FA125X | FA125R | MXS125 | MD6003D | | | | FA131X | FA131R | MXS131 | MD6002D | |
| CR 500 R | 92-94 | FA125X | FA125R | MXS125 | MD6001D | OS6001EC | MD6001C | | FA131X | FA131R | MXS131 | MD6002D | |
| CR 500 R | 95-01 | FA185X | FA185R | MXS185 | MD6037D | OS6037C▲ | MD6037C | | FA131X | FA131R | MXS131 | MD6002D | |
| XL 500 S | 79-81 | 312 | 312G | | | | | 318 | 318G | | | | |
| XL 500 R Pro Link | 82 | 332 | 332G | | | | | 318 | 318G | | | | |
| XR 500 | 79-80 | 324 | 324G | | | | | 318 | 318G | | | | |
| XR 500 R Pro Link | 81-82 | 327 | 327G | | | | | 318 | 318G | | | | |
| XR 500 R Pro Link | 83-84 | FA92X | FA92R | | MD6087D | | | 304 | 304G | | | | |
| XL 600 V Transalp | 89-90 | FA69 | FA69HH | | MD6044D | | | 318 | 318G | | | | |
| XL 600 R | 83-87 | FA92X | FA92R | | MD6087D | | | 318 | 318G | | | | |
| XR 600 R | 85-87 | FA92X | FA92R | | MD6087D | | | 304 | 304G | | | | |
| XR 600 R | 88-90 | FA125X | FA125R | MXS125 | MD6087D | | | 304 | 304G | | | | |
| XR 600 R | 91-92 | FA125X | FA125R | MXS125 | MD6001D | OS6001EC | MD6001C | FA131X | FA131R | MXS131 | MD6013D | MD6013C | |
| XR 600 R | 93-00 | FA185X | FA185R | MXS185 | MD6001D | OS6001C▲ | MD6001C | FA131X | FA131R | MXS131 | MD6013D | MD6013C | |
| NX 650 | 88-89 | FA124/2 | FA124/2HH | | MD6010D | | | 318 | 318G | | | | |
| XR 650 L | 93-11 | FA185X | FA185R | MXS185 | MD6010D | SM6010C | | FA131X | FA131R | MXS131 | MD6045D | | |
| XR 650 R | 00-07 | FA185X | FA185R | MXS185 | MD6001D | OS6001C▲ | MD6001C | FA131X | FA131R | MXS131 | MD6181D | MD6181C | |
| XL 1000 V&B Varadero (Canada) | 08 | | FA388HH* | | MD1014X | MD1014X | MD1014XC* | | FA261HH | | MD1006 | MD1006C | |

KAWASAKI

| | | | | | | | | | | | | | |
|--|-------|--------|---------|--------|---------|----------|---------|--------|--------|--------|---------|---------|--|
| KDX 50 A1/A2/A3/A6F | 03-06 | 613 | 613G | | | | | 613 | 613G | | | | |
| KX 60 A1/A2 | 83-84 | 715 | 715G | | | | | 715 | 715G | | | | |
| KX 60 B1-B19 | 85-03 | 715 | 715G | | | | | 715 | 715G | | | | |
| KX 65 A1/A2/A3/A4/A5/A6/A6F/A7F/A8F/A9F/AAF/ABF | 00-11 | FA302X | FA302R | | MD6166D | | | FA54X | FA54R | | MD6166D | | |
| KD 80 M1-M8 | 80-87 | 603 | 603G | | | | | 603 | 603G | | | | |
| KD 80 N1/N2/N3 | 88-90 | FA83X | FA83R | | TBA | | | 603 | 603G | | | | |
| KDX 80 A1/A2 | 80-81 | 701 | 701G | | | | | 701 | 701G | | | | |
| KDX 80 B2/B3 | 82-83 | 701 | 701G | | | | | 701 | 701G | | | | |
| KDX 80 C1/C2/C3/C4/C5 | 84-88 | 714 | 714G | | | | | 715 | 715G | | | | |
| KX 80 C1/C2 | 81-82 | 701 | 701G | | | | | 701 | 701G | | | | |
| KX 80 E1 | 83 | 714 | 714G | | | | | 715 | 715G | | | | |
| KX 80 E2/E3 | 84-85 | FA83X | FA83R | | MD6027D | | | 715 | 715G | | | | |
| KX 80 G1/G2 | 86-87 | FA83X | FA83R | | MD6027D | | | 715 | 715G | | | | |
| KX 80 J2 | 87 | FA83X | FA83R | | MD6027D | | | 715 | 715G | | | | |
| KX 80 L1/L2/L3/N1/N2/N3/R1 | 88-91 | FA83X | FA83R | | MD6027D | | | FA84X | FA84R | | MD6025D | MD6025C | |
| KX 80 R2/R3/R4/R5/R6 | 92-96 | FA83X | FA83R | | MD6026D | | | FA84X | FA84R | | MD6025D | MD6025C | |
| KX 80 R7/W1/W2/W3 | 97-00 | FA258X | FA258R | | MD6026D | | | FA84X | FA84R | | MD6025D | MD6025C | |
| KX 85 A1/A2/A3/A4/A5/A6F/A7F/A8F/A9F/AAF/ABF | 01-11 | FA258X | FA258R | | MD6186D | OS6186C | MD6186C | FA84X | FA84R | | MD6187D | MD6187C | |
| KE 100 A5/A6/A7/A8/A9/A10 | 76-81 | 603 | 603G | | | | | 603 | 603G | | | | |
| KE 100 B1-3/B6-B20 | 82-01 | 603 | 603G | | | | | 603 | 603G | | | | |
| KM 100 A1/A2/A3/A3A/A4/A6/A7 | 76-81 | 603 | 603G | | | | | 603 | 603G | | | | |
| KX 100 B5/B6 | 95-96 | FA83X | FA83R | | MD6026D | | | FA84X | FA84R | | MD6025D | MD6025C | |
| KX 100 B7/C1/C2/C3 | 97-00 | FA258X | FA258R | | MD6026D | | | FA84X | FA84R | | MD6025D | MD6025C | |
| KX 100 D1/D2/D3/D4/D5/D6F/D7F/D8F/D9F | 01-09 | FA258X | FA258R | | MD6186D | OS6186C | MD6186C | FA84X | FA84R | | MD6187D | MD6187C | |
| KLX 110 (KLX 110 A1/A2/A3/A4/A6F/A7F/A8F/A9F/CAF/CBF/DAFDBF) | 02-11 | 715 | 715G | | | | | 603 | 603G | | | | |
| KE 125 A3-A10 | 76-83 | 704 | 704G | | | | | 602 | 602G | | | | |
| KLX 125 A1/A2/A3/A6F | 03-06 | 604 | 604G | | | | | 604 | 604G | | | | |
| KLX 125 L (B1/B2/B3/B6F) | 03-06 | FA230X | FA230R | | MD6212D | | | 604 | 604G | | | | |
| KX 125 A/A3/A4/A5/A6/A7 | 74-81 | 704 | 704G | | | | | 602 | 602G | | | | |
| KX 125 B1 | 82 | FA83X | FA83R | | N/A | | | 602 | 602G | | | | |
| KX 125 B2/C1/D1 | 83-85 | FA67X | FA67R | | N/A | | | 702 | 702G | | | | |
| KX 125 E1 | 86 | FA67X | FA67R | | MD6036D | | | FA67X | FA67R | | MD6161D | | |
| KX 125 E2/F1 | 87-88 | FA130X | FA130HH | | MD6036D | | | FA67X | FA67R | | MD6161D | | |
| KX 125 G1/H1/H2/J1/J2 | 89-93 | FA135X | FA135R | MXS135 | MD6015D | | MD6015C | FA152X | FA152R | MXS152 | MD6024D | MD6024C | |
| KX 125 K1 | 94 | FA185X | FA185R | MXS185 | MD6015D | OS6015C▲ | MD6015C | FA152X | FA152R | MXS152 | MD6024D | MD6024C | |
| KX 125 K2/K3/K4/K5/L1/L2/L3/L4 | 95-02 | FA185X | FA185R | MXS185 | MD6015D | OS6015C▲ | MD6015C | FA131X | FA131R | MXS131 | MD6024D | MD6024C | |
| KX 125 M1/M2/M3 | 03-05 | FA185X | FA185R | MXS185 | MD6213D | OS6213C▲ | MD6213C | FA131X | FA131R | MXS131 | MD6208D | MD6208C | |

All part numbers, prefixes and suffixes shown in this catalog are unique and form a registered copyright as the property of EBC Brakes and its UK trademark owners

* symbol after part# = 2 pieces reqd.
i.e. 2 pad sets or 2 contour rotors

PAD/SHOE/ROTOR Applications for Japanese DIRT Bikes

DIRT BIKES

KAWASAKI Contd.

| Year | FRONT | | | | | | REAR | | | | |
|---|-----------------------|--------------------|---------------|--------------------|----------------|----------------|-----------------------|--------------------|---------------|--------------------|---------------|
| | Brake PAD/Shoe Detail | | | Brake ROTOR Detail | | | Brake PAD/Shoe Detail | | | Brake ROTOR Detail | |
| | SPORT CARBON | LONG LIFE SINTERED | RACE SINTERED | STANDARD ROTOR | OVERSIZE ROTOR | CONTOUR ROTOR | SPORT CARBON | LONG LIFE SINTERED | RACE SINTERED | STANDARD ROTOR | CONTOUR ROTOR |
| "X" PADS/SHOES | "R" PADS | "MXS" PADS | WITHOUT PADS | WITH BRACKET | See Tech Pages | "X" PADS/SHOES | "R" PADS | "MXS" PADS | WITHOUT PADS | See Tech Pages | |
| KLX 140 A8F/A9F/AAF/ABF (KLX 140) (17" front/14" rear wheels) | 08-11 | FA135X | FA135R | MXS135 | MD6328C | | FA84X | FA84R | MXS84 | | MD6327C |
| KLX 140 B8F/B9F/BAF/BBF (KLX 140 L) (19" front/16" rear wheel) | 08-11 | FA135X | FA135R | MXS135 | MD6328C | | FA84X | FA84R | MXS84 | | MD6327C |
| KDX 175 A1/A2/A3 | 80-82 | 704 | 704G | | | | 602 | 602G | | | |
| KE 175 D2/D3/D4/D5 | 80-83 | 704 | 704G | | | | 703 | 703G | | | |
| KDX 200 A1/A2/A3 | 83-85 | 703 | 703G | | | | 702 | 702G | | | |
| KDX 200 C1/C2/C3 | 86-88 | FA67X | FA67R | | MD6036D | | 702 | 702G | | | |
| KDX 200 E1/E2/E3/E4 | 89-92 | FA67X | FA67R | | MD6036D | | FA152X | FA152R | | MD6024D | MD6024C |
| KDX 200 E5/E6 | 93-94 | FA135X | FA135R | MXS135 | MD6015D | MD6015C | FA152X | FA152R | MXS152 | MD6024D | MD6024C |
| KDX 200 H1-H11/H6F | 95-06 | FA185X | FA185R | MXS185 | MD6083D | | FA152X | FA152R | MXS152 | MD6105D | |
| KDX 220 R A4-A12 | 97-05 | FA185X | FA185R | MXS185 | MD6083D | | FA152X | FA152R | MXS152 | MD6105D | |
| KDX 250 A1/B1/B2 | 80-82 | 705 | 705G | | | | 605 | 605G | | | |
| KDX 250 B3/B4 | 83-84 | 705 | 705G | | | | 602 | 602G | | | |
| KDX 250 D1 | 91 | FA135X | FA135R | MXS135 | MD6083D | | FA152X | FA152R | MXS152 | MD6105D | |
| KDX 250 D2/D3/D4 | 92-94 | FA135X | FA135R | MXS135 | MD6015D | MD6015C | FA152X | FA152R | MXS152 | MD6105D | |
| KL 250 A1/A1A/A2 | 78-80 | 705 | 705G | | | | 605 | 605G | | | |
| KL 250 A3/A4/A5 | 80-82 | 704 | 704G | | | | 703 | 703G | | | |
| KL 250 C1/C2 | 83-84 | 704 | 704G | | | | 703 | 703G | | | |
| KL 250 D2-D22 (KLR250) | 85-05 | FA67X | FA67R | | MD6057D | | 703 | 703G | | | |
| KL 250 G4/G5/G6/G7/G8 Super Sherpa | 00-04 | FA258X | FA258R | MXS258 | MD6239D | | FA67X | FA67R | | MD6107D | |
| KLX 250 A1/A2 | 79-80 | 704 | 704G | | | | 602 | 602G | | | |
| KLX 250 R D2/D3/D4 | 94-96 | FA185X | FA185R | MXS185 | MD6015D | OS6015C | MD6015C | FA152X | FA152R | MXS152 | MD6085D |
| KLX 250 S (KLX 250 H6F/H7F) | 06-07 | FA185X | FA185R | MXS185 | MD6330D | OS6330C | MD6330C | FA131X | FA131R | MXS131 | MD6105D |
| KLX 250 S (KLX 250 T9F/TA) | 09-10 | FA135X | FA135R | MXS135 | | OS6329C | MD6329C | FA131X | FA131R | MXS131 | MD6326C |
| KLX 250 SF (KLX 250 W9F/WAF) Supermotard | 09-10 | FA135X | FA135R | MXS135 | | | MD6351C | FA131X | FA131R | MXS131 | MD6352C |
| KX 250 A6/A7 | 80-81 | 705 | 705G | | | | 605 | 605G | | | |
| KX 250 B1 | 82 | FA83X | FA83R | | N/A | | 602 | 602G | | | |
| KX 250 C1/C2/D1 | 83-85 | FA67X | FA67R | | N/A | | 602 | 602G | | | |
| KX 250 D2 | 86 | FA67X | FA67R | | N/A | | FA67X | FA67R | | MD6161D | |
| KX 250 E1/F1 | 87-88 | FA130X | FA130HH | | MD6036D | | FA67X | FA67R | | MD6161D | |
| KX 250 G1/H1/H2/J1/J2 | 89-93 | FA135X | FA135R | MXS135 | MD6015D | | MD6015C | FA152X | FA152R | MXS152 | MD6024D |
| KX 250 K1 | 94 | FA185X | FA185R | MXS185 | MD6015D | OS6015C▲ | MD6015C | FA152X | FA152R | MXS152 | MD6024D |
| KX 250 K2/K3/K4/K5/L1/L2/L3/L4 | 95-02 | FA185X | FA185R | MXS185 | MD6015D | OS6015C▲ | MD6015C | FA131X | FA131R | MXS131 | MD6024D |
| KX 250 M1/M2/R1 | 03-05 | FA185X | FA185R | MXS185 | MD6213D | OS6213C▲ | MD6213C | FA131X | FA131R | MXS131 | MD6208D |
| KX 250 R6F/R7F (2T) | 06-07 | FA185X | FA185R | MXS185 | MD6264D | OS6264C▲ | MD6264C | FA131X | FA131R | MXS131 | MD6208D |
| KX 250 N1/N2 (KX 250 F) | 04-05 | FA185X | FA185R | MXS185 | MD6213D | OS6213C▲ | MD6213C | FA367X | FA367R | MXS367 | MD6208D |
| KX 250 F (T6F/T7F/T8F) (4T) | 06-08 | FA185X | FA185R | MXS185 | MD6264D | OS6264C▲ | MD6264C | FA367X | FA367R | MXS367 | MD6208D |
| KX 250 F (W9F/XAFB/YBF) (4T) | 09-11 | FA185X | FA185R | MXS185 | | OS6264C▲ | MD6264C | FA367X | FA367R | MXS367 | MD6208D |
| KLX 300 R A2-A10/A6F/A7F | 97-07 | FA185X | FA185R | MXS185 | MD6015D | | MD6015C | FA131X | FA131R | MXS131 | MD6105D |
| KDX 400 A1/A2 | 79-80 | 705 | 705G | | | | 605 | 605G | | | |
| KLX 400 SR (KLX 400 A1/A2) | 03-04 | FA185X | FA185R | MXS185 | MD6017D | OS6017C▲ | MD6017C | FA131X | FA131R | MXS131 | MD6014D |
| KLX 400 R (KLX 400 B1/B2) | 03-04 | FA185X | FA185R | MXS185 | MD6017D | OS6017C▲ | MD6017C | FA131X | FA131R | MXS131 | MD6014D |
| KDX 420 B1 | 81 | 705 | 705G | | | | 605 | 605G | | | |
| KX 420 A1/A2 | 80-81 | 705 | 705G | | | | 605 | 605G | | | |
| KDX 450 A1 | 82 | 705 | 705G | | | | 605 | 605G | | | |
| KLX 450 R A8F/A9F/AAF/ABF | 08-11 | FA185X | FA185R | MXS185 | | OS6264C▲ | MD6264C | FA367X | FA367R | MXS367 | MD6208C |
| KX 450 F (D6F/D7F/D8F) | 06-08 | FA185X | FA185R | MXS185 | MD6264D | OS6264C▲ | MD6264C | FA367X | FA367R | MXS367 | MD6208D |
| KX 450 F E9F/EAF/EBF (4T) | 09-11 | FA185X | FA185R | MXS185 | | OS6264C▲ | MD6264C | FA367X | FA367R | MXS367 | MD6208D |
| KX 500 A1/A2/B1 | 83-85 | FA67X | FA67R | N/A | | | 602 | 602G | | | |
| KX 500 B2 | 86 | FA67X | FA67R | N/A | | | FA67X | FA67R | | MD6161D | |
| KX 500 C1/D1 | 87-88 | FA130X | FA130HH | | MD6036D | | FA67X | FA67R | | MD6161D | |
| KX 500 E1-E5 | 89-93 | FA135X | FA135R | MXS135 | MD6015D | | MD6015C | FA152X | FA152R | MXS152 | MD6024D |
| KX 500 E6/E7 | 94-95 | FA185X | FA185R | MXS185 | MD6015D | OS6015C▲ | MD6015C | FA152X | FA152R | MXS152 | MD6024D |
| KX 500 E8/E9/E10/E11/E12/E13/E14/E15/E16 | 96-04 | FA185X | FA185R | MXS185 | MD6015D | OS6015C▲ | MD6015C | FA131X | FA131R | MXS131 | MD6024D |
| KL 600 A1 | 84 | FA67X | FA67R | | MD6080D | | 602 | 602G | | | |
| KL 600 B1/B2 (KLR) | 85-86 | FA67X | FA67R | | MD6080D | | 602 | 602G | | | |
| KL 650 A1-A19/A6F/A7F (KLR) | 87-07 | FA130X | FA130HH | | MD6042D▲ | | FA67X | FA67R | | MD6082D | |

All part numbers, prefixes and suffixes shown in this catalog are unique and form a registered copyright as the property of EBC Brakes and its UK trademark owners

* symbol after part# = 2 pieces reqd. i.e. 2 pad sets or 2 contour rotors

PAD/SHOE/ROTOR Applications for Japanese DIRT Bikes

DIRT BIKES

KAWASAKI Contd.

| | Year | FRONT | | | | | | REAR | | | | |
|----------------------------------|-------|-----------------------|--------------------|---------------|--------------------|----------------|---------------|-----------------------|--------------------|---------------|--------------------|---------------|
| | | Brake PAD/Shoe Detail | | | Brake ROTOR Detail | | | Brake PAD/Shoe Detail | | | Brake ROTOR Detail | |
| | | SPORT CARBON | LONG LIFE SINTERED | RACE SINTERED | STANDARD ROTOR | OVERSIZE ROTOR | CONTOUR ROTOR | SPORT CARBON | LONG LIFE SINTERED | RACE SINTERED | STANDARD ROTOR | CONTOUR ROTOR |
| KL 650 B2/B3 Tengai | 90-91 | FA129 | FA129R | | MD6081D | | | FA67X | FA67R | | MD6082D | |
| KL 650 E8F/E9F/EAF/EAF (KLR 650) | 08-11 | | FA228HH | | | | MD6309C▲ | | FA197HH | | | MD6310C |
| KLE 650 A7F/A8F/A9F/CAF/CBF | 07-11 | FA229 | FA229HH | | | | MD4159XC | FA192 | FA192HH | | | MD4138C |
| Versys | | FA231 | FA231HH | | | | MD4159XC | | | | | |
| KLX 650 R A1/A2/A3 | 93-95 | FA185X | FA185R | MXS185 | MD6015D | OS6015C▲ | MD6015C | FA152X | FA152R | MXS152 | MD6085D | |
| KLX 650 R D1 | 96 | FA185X | FA185R | MXS185 | MD6015D | OS6015C▲ | MD6015C | FA131X | FA131R | MXS131 | MD6105D | |
| KLX 650 C1/C2/C3/C4 | 93-96 | FA185X | FA185R | MXS185 | MD6086D | | | FA152X | FA152R | MXS152 | MD6085D | |

SUZUKI

| | Year | FRONT | | | | | | REAR | | | | |
|---|-------|-----------------------|--------------------|---------------|--------------------|----------------|---------------|-----------------------|--------------------|---------------|--------------------|---------------|
| | | Brake PAD/Shoe Detail | | | Brake ROTOR Detail | | | Brake PAD/Shoe Detail | | | Brake ROTOR Detail | |
| | | SPORT CARBON | LONG LIFE SINTERED | RACE SINTERED | STANDARD ROTOR | OVERSIZE ROTOR | CONTOUR ROTOR | SPORT CARBON | LONG LIFE SINTERED | RACE SINTERED | STANDARD ROTOR | CONTOUR ROTOR |
| JR 50 C/N/T/X/Z/RD/F/G/H/J/K/L/M/N/P/R/V/W/X/Y | | | | | | | | | | | | |
| /K1/K2/K3/K4/K5/K6 | 78-06 | 613 | 613G | | | | | 613 | 613G | | | |
| RM 50 C/N/T | 78-80 | 603 | 603G | | | | | 603 | 603G | | | |
| RM 50 X | 81 | 604 | 604G | | | | | 604 | 604G | | | |
| RM 60 N/T | 79-80 | 603 | 603G | | | | | 603 | 603G | | | |
| RM 60 X/Z/D | 81-83 | 604 | 604G | | | | | 604 | 604G | | | |
| RM 60 K3 | 03 | 715 | 715G | | | | | 715 | 715G | | | |
| RM 65 K3/K4/K5 | 03-05 | FA302X | FA302R | | MD6166D | | | FA54X | FA54R | | MD6166D | |
| DR-Z 70 K8/K9 | 08-11 | 301 | | | | | | 301 | | | | |
| DS 80 T/X/Z/D/F/G/H/J/K/L/M/N/P/R/S/T/V/W/X/Y | 80-00 | 604 | 604G | | | | | 604 | 604G | | | |
| JR 80 K1/K2/K3/K4 | 01-04 | 604 | 604G | | | | | 604 | 604G | | | |
| RM 80 T/X | 80-81 | 604 | 604G | | | | | 604 | 604G | | | |
| RM 80 Z/D/E/F | 82-85 | 615 | 615G | | | | | 502 | 502G | | | |
| RM 80 G/H/J/K | 86-89 | FA83X | FA83R | | MD6018D | | MD6018C | 502 | 502G | | | |
| RM 80 L/M/N/P/R/S | 90-95 | FA83X | FA83R | | MD6018D | | MD6018C | FA83X | FA83R | | MD6025D | MD6025C |
| RM 80 T/V/W/X/Y/K1 | 96-01 | FA230X | FA230R | | MD6018D | | MD6018C | FA83X | FA83R | | MD6025D | MD6025C |
| RM 85 LK2/LK3/LK4/K4 | 02-04 | FA230X | FA230R | | MD6018D | | MD6018C | FA83X | FA83R | | MD6025D | MD6025C |
| RM 85 LK5/K5/LK6/K6/K7/LK7/K8/LK8/K9/LK9/L0/LLO | 05-11 | FA258X | FA258R | | MD6030D | OSS6030C | MD6030C | FA401X | FA401R | | MD6246D | MD6246C |
| DR 100 D/E/F/G/H/J/K/L | 83-90 | 604 | 604G | | | | | 604 | 604G | | | |
| DS 100 C/N/T/X | 78-81 | 602 | 602G | | | | | 602 | 602G | | | |
| RM 100 K3 | 03 | FA258X | FA258R | | MD6186D | OSS6030C | MD6186C | FA84X | FA84R | | MD6187D | MD6187C |
| SP 100 D | 83 | 617 | 617G | | | | | 604 | 604G | | | |
| TS 100 A/B/C/N/T/X | 76-81 | 602 | 602G | | | | | 602 | 602G | | | |
| RM 100 N/T/X | 79-81 | 603 | 603G | | | | | 617 | 617G | | | |
| DR-Z 110 K3/K4/K5 | 03-05 | 715 | 715G | | | | | 603 | 603G | | | |
| DR 125 Z/D | 82-83 | 602 | 602G | | | | | 602 | 602G | | | |
| DR 125 E | 84 | 602 | 602G | | | | | 602 | 602G | | | |
| DR 125 G/H/J/SER/SES/SET | 86-96 | FA54X | FA54R | MXS54 | MD6073D | | | 602 | 602G | | | |
| DR-Z 125 K3/K4/K5/K6/K7/K8/K9 | 03-11 | 604 | 604G | | | | | 604 | 604G | | | |
| DR-Z 125 LK3/LK4/LK5/LK6/LK7/LK8/LK9 | 03-10 | FA230X | FA230R | | MD6212D | | | 604 | 604G | | | |
| DS 125 N/T/X | 79-81 | 602 | 602G | | | | | 602 | 602G | | | |
| RM 125 NT | 79-80 | 602 | 602G | | | | | 617 | 617G | | | |
| RM 125 X/Z/D | 81-83 | 602 | 602G | | | | | 616 | 616G | | | |
| RM 125 E | 84 | 622 | 622G | | | | | 616 | 616G | | | |
| RM 125 F/G | 85-86 | FA106 | FA106R | | MD6163D | | | 616 | 616G | | | |
| RM 125 H | 87 | FA135X | FA135R | MXS135 | MD6163D | | | 616 | 616G | | | |
| RM 125 J | 88 | FA135X | FA135R | MXS135 | MD6163D | | | N/A | FA84/3R | | MD6014D | |
| RM 125 K | 89 | FA135X | FA135R | MXS135 | MD6017D | OS6017EC | MD6017C | FA152X | FA152R | MXS152 | MD6014D | MD6014C |
| RM 125 L | 90 | FA135X | FA135R | MXS135 | MD6017D | OS6017EC | MD6017C | FA152X | FA152R | MXS152 | MD6014D | MD6014C |
| RM 125 M/N/P | 91-93 | FA135X | FA135R | MXS135 | MD6017D | OS6017EC | MD6017C | FA152/2X | FA152/2R | MXS152/2 | MD6014D | MD6014C |
| RM 125 R/S | 94-95 | FA135X | FA135R | MXS135 | MD6017D | OS6017EC | MD6017C | FA152/2X | FA152/2R | MXS152/2 | MD6014D | MD6014C |
| RM 125 T/V/W | 96-98 | FA185X | FA185R | MXS185 | MD6017D | OS6017C▲ | MD6017C | FA131X | FA131R | MXS131 | MD6014D | MD6014C |
| RM 125 X/Y/K1/K2/K3/K4/K5 | 99-05 | FA185X | FA185R | MXS185 | MD6017D | OS6017C▲ | MD6017C | FA131X | FA131R | MXS131 | MD6157D | MD6157C |
| RM 125 K5/K7/K8 | 06-08 | FA185X | FA185R | MXS185 | MD6017D | OS6017C▲ | MD6017C | FA131X | FA131R | MXS131 | MD6305D | MD305C |
| SP 125 Z/D | 82-83 | 602 | 602G | | | | | 602 | 602G | | | |
| SP 125 G/H/J | 86-88 | FA54X | FA54R | MXS54 | MD6073D | | | 602 | 602G | | | |
| TS 125 T/X | 80-81 | 602 | 602G | | | | | 602 | 602G | | | |
| PE 175 T/X | 80-81 | 602 | 602G | | | | | 619 | 619G | | | |
| PE 175 Z/D/E | 82-84 | 618 | 618G | | | | | 619 | 619G | | | |

All part numbers, prefixes and suffixes shown in this catalog are unique and form a registered copyright as the property of EBC Brakes and its UK trademark owners

* symbol after part# = 2 pieces reqd.
i.e. 2 pad sets or 2 contour rotors

▲ Supermoto oversize disc conversion available for this disc - see page 335.

BRAKE APPLICATIONS

PAD/SHOE/ROTOR Applications for Japanese DIRT Bikes

APPLICATIONS

DIRT BIKES

SUZUKI Contd.

| | Year | FRONT | | | | | | REAR | | | | |
|---|----------|-----------------------|--------------------|---------------|--------------------|----------------|---------------|-----------------------|--------------------|----------------|--------------------|---------------|
| | | Brake PAD/Shoe Detail | | | Brake ROTOR Detail | | | Brake PAD/Shoe Detail | | | Brake ROTOR Detail | |
| | | SPORT CARBON | LONG LIFE SINTERED | RACE SINTERED | STANDARD ROTOR | OVERSIZE ROTOR | CONTOUR ROTOR | SPORT CARBON | LONG LIFE SINTERED | RACE SINTERED | STANDARD ROTOR | CONTOUR ROTOR |
| "X" PADS/SHOES | "R" PADS | "MXS" PADS | WITHOUT PADS | WITH BRACKET | See Tech Pages | "X" PADS/SHOES | "R" PADS | "MXS" PADS | WITHOUT PADS | See Tech Pages | | |
| RS 175 T/X/Z | 80-82 | 602 | 602G | | | | 617 | 617G | | | | |
| DS 185 T | 80 | 602 | 602G | | | | 602 | 602G | | | | |
| TS 185 T/X | 80-81 | 602 | 602G | | | | 602 | 602G | | | | |
| DR 200 G/H/J | 86-90 | FA54X | FA54R | MXS54 | MD6073D | | 602 | 602G | | | | |
| DR 200 SET/SEV/SEW/SEX/SEY/SEK1/SEK2/SEK3 /SEK4/SEK5/SEK6/SEK7/SEK8/SEK9 | 96-09 | FA54X | FA54R | MXS54 | MD6073D | | 602 | 602G | | | | |
| SP 200 G/H/J | 86-88 | FA54X | FA54R | MXS54 | MD6073D | | 602 | 602G | | | | |
| DS 250 T | 80 | 605 | 605G | | | | 605 | 605G | | | | |
| DR 250 Z/D | 82-83 | 602 | 602G | | | | 602 | 602G | | | | |
| DR 250 F | 85 | FA54X | FA54R | MXS54 | MD6074D | | 602 | 602G | | | | |
| DR 250 L/M/N/P/R/S | 90-95 | FA135X | FA135R | MXS135 | MD6040D | | FA152X | FA152R | MXS152 | MD6038D | | |
| DR 250 SL/SM/SN/SEP/SER/SES | 90-95 | FA135X | FA135R | MXS135 | MD6040D | | FA152X | FA152R | MXS152 | MD6038D | | |
| DR-Z 250 K1/K2/K3/K4/K5/K6/K7 | 01-07 | FA185X | FA185R | MXS185 | MD6017D | OS6017C▲ | MD6017C | FA152/2X | FA152/2R | MXS152/2 | MD6110D | |
| PE 250 B/C/N/T/X | 77-81 | 605 | 605G | | | | 605 | 605G | | | | |
| RS 250 T/X | 80-81 | 602 | 602G | | | | 605 | 605G | | | | |
| SP 250 Z/D | 82-83 | 620 | 620G | | | | 602 | 602G | | | | |
| SP 250 F | 85 | FA54X | FA54R | MXS54 | MD6074D | | 602 | 602G | | | | |
| TS 250 R/J/K/L/M/A/B/C/N/T/X | 71-81 | 605 | 605G | | | | 605 | 605G | | | | |
| RM 250 A/B/C/C2 | 76-78 | 602 | 602G | | | | 605 | 605G | | | | |
| RM 250 N | 79 | 605 | 605G | | | | 620 | 620G | | | | |
| RM 250 T | 80 | 618 | 618G | | | | 620 | 620G | | | | |
| RM 250 X/Z | 81-82 | 621 | 621G | | | | 616 | 616G | | | | |
| RM 250 D | 83 | 622 | 622G | | | | 616 | 616G | | | | |
| RM 250 E | 84 | 622 | 622G | | | | 618 | 618G | | | | |
| RM 250 F/G | 85-86 | FA106X | FA106R | | MD6163D | | 618 | 618G | | | | |
| RM 250 H/J | 87-88 | FA135X | FA135R | MXS135 | MD6163D | | N/A | FA84/3R | | MD6014D | | |
| RM 250 K | 89 | FA135X | FA135R | MXS135 | MD6017D | OS6017EC | MD6017C | FA152X | FA152R | MXS152 | MD6014D MD6014C | |
| RM 250 L | 90 | FA135X | FA135R | MXS135 | MD6017D | OS6017EC | MD6017C | FA152X | FA152R | MXS152 | MD6014D MD6014C | |
| RM 250 M/N/P | 91-93 | FA135X | FA135R | MXS135 | MD6017D | OS6017EC | MD6017C | FA152/2X | FA152/2R | MXS152/2 | MD6014D MD6014C | |
| RM 250 R/S | 94-95 | FA135X | FA135R | MXS135 | MD6017D | OS6017EC | MD6017C | FA152/2X | FA152/2R | MXS152/2 | MD6014D MD6014C | |
| RM 250 T/V/W | 96-98 | FA185X | FA185R | MXS185 | MD6017D | OS6017C▲ | MD6017C | FA131X | FA131R | MXS131 | MD6014D MD6014C | |
| RM 250 X/Y/K1/K2/K3/K4/K5 | 99-05 | FA185X | FA185R | MXS185 | MD6017D | OS6017C▲ | MD6017C | FA131X | FA131R | MXS131 | MD6157D MD6157C | |
| RM 250 K6/K7/K8 | 06-08 | FA185X | FA185R | MXS185 | MD6017D | OS6017C▲ | MD6017C | FA131X | FA131R | MXS131 | MD6305D MD6305C | |
| RMX 250 K/M/N/P | 89-93 | FA135X | FA135R | MXS135 | MD6017D | OS6017EC | MD6017C | FA152X | FA152R | MXS152 | MD6014D MD6014C | |
| RMX 250 R/S | 94-95 | FA135X | FA135R | MXS135 | MD6017D | OS6017EC | MD6017C | FA152X | FA152R | MXS152 | MD6014D MD6014C | |
| RMX 250 T/V/W | 96-98 | FA185X | FA185R | MXS185 | MD6017D | OS6017C▲ | MD6017C | FA152X | FA152R | MXS152 | MD6014D MD6014C | |
| RMX 250 X/Y | 99-00 | FA185X | FA185R | MXS185 | MD6017D | OS6017C▲ | MD6017C | FA131X | FA131R | MXS131 | MD6157D MD6157C | |
| RM-Z 250 K4/K5/K6 | 04-06 | FA185X | FA185R | MXS185 | MD6213D | OS6213C▲ | MD6213C | FA367X | FA367R | MXS367 | MD6208D MD6208C | |
| RM-Z 250 K7 | 07 | FA185X | FA185R | MXS185 | MD6254D | OS6254C▲ | MD6254C | FA367X | FA367R | MXS367 | MD6255D MD6255C | |
| RM-Z 250 K8/K9/L0/L1 | 08-11 | FA185X | FA185R | MXS185 | | OS6254C▲ | MD6254C | FA367X | FA367R | MXS367 | | |
| DR 350 L/M/N/P/R/S/T | 90-96 | FA135X | FA135R | MXS135 | MD6040D | | FA152X | FA152R | MXS152 | MD6038D | | |
| DR 350 V/W/X | 97-99 | FA185X | FA185R | MXS185 | MD6017D | OS6017C▲ | MD6017C | FA152X | FA152R | MXS152 | MD6110D | |
| DR 350 SL/SM/SN/SP/SEP/SES | 90-95 | FA135X | FA135R | MXS135 | MD6040D | | FA152X | FA152R | MXS152 | MD6038D | | |
| DR 350 SET/SEV | 96-97 | FA135X | FA135R | MXS135 | MD6040D | | FA152X | FA152R | MXS152 | MD6110D | | |
| DR 350 SEW/SEX | 98-99 | FA185X | FA185R | MXS185 | MD6017D | OS6017C▲ | MD6017C | FA152X | FA152R | MXS152 | MD6110D | |
| DR 370 C/N | 78-79 | 602 | 602G | | | | 605 | 605G | | | | |
| RM 370 A/B | 76-77 | 602 | 602G | | | | 605 | 605G | | | | |
| SP 370 C/N | 78-79 | 605 | 605G | | | | 605 | 605G | | | | |
| DR 400 T | 80 | 602 | 602G | | | | 605 | 605G | | | | |
| DR-Z 400 SY/SK1/SK2/SK3/SK4/SK5/SK6/SK7 /SK8/SK9/SL1 | 00-11 | FA185X | FA185R | MXS185 | MD6017D | OS6017C▲ | MD6017C | FA131X | FA131R | MXS131 | MD6014D MD6014C | |
| DR-Z 400 SMK5/SMK6/SMK7/SMK8/SMK9/SML0 | 05-10 | FA185X | FA185R | MXS185 | MD6247D | | MD6247C | FA131X | FA131R | MXS131 | MD6157D MD6157C | |
| DR-Z 400 Y/K1/K2/EY/EK1/EK2/K3/K3/K4/EK4 /EK5/EK6/EK7 | 00-07 | FA185X | FA185R | MXS185 | MD6017D | OS6017C▲ | MD6017C | FA131X | FA131R | MXS131 | MD6014D MD6014C | |
| TS 400 J/K/L/M/A/B | 72-77 | 605 | 605G | | | | 605 | 605G | | | | |
| SP 400 T | 80 | 605 | 605G | | | | 605 | 605G | | | | |
| PE 400 T/X | 80-81 | 605 | 605G | | | | 605 | 605G | | | | |
| RM 400 C | 78 | 602 | 602G | | | | 605 | 605G | | | | |

▲ Supersport oversize disc conversion available for this disc - see page 335.

All part numbers, prefixes and suffixes shown in this catalog are unique and form a registered copyright as the property of EBC Brakes and its UK trademark owners

* symbol after part# = 2 pieces reqd.
i.e. 2 pad sets or 2 contour rotors

PAD/SHOE/ROTOR Applications for Japanese DIRT Bikes

DIRT BIKES

SUZUKI Contd.

| | Year | FRONT | | | | | | REAR | | | | |
|---|------------|-----------------------|--------------------|---------------|--------------------|----------------|---------------|-----------------------|--------------------|----------------|--------------------|---------------|
| | | Brake PAD/Shoe Detail | | | Brake ROTOR Detail | | | Brake PAD/Shoe Detail | | | Brake ROTOR Detail | |
| | | SPORT CARBON | LONG LIFE SINTERED | RACE SINTERED | STANDARD ROTOR | OVERSIZE ROTOR | CONTOUR ROTOR | SPORT CARBON | LONG LIFE SINTERED | RACE SINTERED | STANDARD ROTOR | CONTOUR ROTOR |
| *X* PADS/SHOES | *R* PADS | *MXS* PADS | WITHOUT PADS | WITH BRACKET | See Tech Pages | *X* PADS/SHOES | *R* PADS | *MXS* PADS | WITHOUT PADS | See Tech Pages | | |
| RM 400 N | 79 | 605 | 605G | | | | 620 | 620G | | | | |
| RM 400 T | 80 | 618 | 618G | | | | 620 | 620G | | | | |
| RMX 450 ZLO | 10 | FA185X | FA185R | MXS185 | | | FA367X | FA367R | MXS367 | MD6255D | MD6255C | |
| RM-Z 450 K5/K6/K7/ZK7 | 05-07 | FA185X | FA185R | MXS185 | MD6254D | OS6254C▲ | MD6254C | FA367X | FA367R | MXS367 | MD6255D | MD6255C |
| RM-Z 450 K8/K9/L0/L1 | 08-11 | FA185X | FA185R | MXS185 | | OS6254C▲ | MD6254C | FA367X | FA367R | MXS367 | | MD6255C |
| RM 465 X/Z | 81-82 | 621 | 621G | | | | 602 | 602G | | | | |
| DR 500 X/Z/D | 81-83 | 602 | 602G | | | | 605 | 605G | | | | |
| SP 500 X/Z/D | 81-83 | 605 | 605G | | | | 605 | 605G | | | | |
| RM 500 D/E | 83-84 | 622 | 622G | | | | 618 | 618G | | | | |
| SP 600 F | 85-87 | FA106/2X | FA106/2R | | MD6075D | | 602 | 602G | | | | |
| DL 650 K4/K5/K6/K7 V-Strom | Left 04-06 | FA229 | FA229HH | | MD3088X | | FA174 | FA174HH | | | MD6232D | |
| | Right | FA231 | FA231HH | | MD3088X | | | | | | | |
| DL 650 AK7/AK8/AK9/AL1 V-Strom | Left 07-11 | FA229 | FA229HH | | MD3092X | | FA174 | FA174HH | | | MD6232D | |
| (ABS Model) | Right | FA231 | FA231HH | | MD3092X | | | | | | | |
| DL 650 K7/K8/K9 V-Strom | Left 07-09 | FA229 | FA229HH | | MD3092X | | FA174 | FA174HH | | | MD6232D | |
| | Right | FA231 | FA231HH | | MD3092X | | | | | | | |
| DR 650 SL/SM | 90-91 | FA147X | FA147R | | MD6076D | | FA157X | | | | MD6077D | |
| DR 650 SN/SP/SER/SES | 92-95 | FA147X | FA147R | | MD6078D | | FA157X | | | | MD6077D | |
| DR 650 SET/SEV/SEW/SEX/SEY/SEK1-SEK9SL1 | 96-11 | FA185X | FA185R | MXS185 | MD6094D | SM6094C | FA152X | FA152R | MXS152 | | MD6095D | |
| DL 1000 K2/K3/K4/K5/K6/K7 | Left 02-09 | FA229 | FA229HH | | MD3088X | | FA174 | FA174HH | | | MD6232D | |
| /K8/K9 V-Strom | Right | FA231 | FA231HH | | MD3088X | | | | | | | |

YAMAHA

| | | | | | | | | | | | | |
|---|----------|--------|--------|--|---------|----------|---------|------|---------|--|---------|---------|
| DT 50 U/W/A (DTL/C) | 88-90 | 518 | 518G | | | | 518G | 518G | | | | |
| PW 50 H/J/K/N/S/T | 81-87 | 501 | N/A | | | | 501 | N/A | | | | |
| PW 50 A/B/D/E/F/G/H/J/K/L/M/N/P/R/S/T/V/W/X/Y | 90-09 | 501 | N/A | | | | 501 | N/A | | | | |
| TT-R 50 EV/EW/EX/EY | 06-09 | 301 | | | | | 301 | | | | | |
| YZ 50 G | 80 | 502 | 502G | | | | 502 | 502G | | | | |
| YZ 60 H/J/K | 81-83 | 502 | 502G | | | | 502 | 502G | | | | |
| BW 80 S/T/U/A | 86-88/90 | 502 | 502G | | | | 519 | N/A | | | | |
| DT 80 H/J | 81-82 | 504 | 504G | | | | 504 | 504G | | | | |
| DT 80 K | 83 | 503 | 503G | | | | 503 | 503G | | | | |
| PW 80 K/N | 83-85 | 502 | 502G | | | | 518 | 518G | | | | |
| PW 80 B | 91 | 502 | 502G | | | | 518 | 518G | | | | |
| PW 80 D/E/F/G/H/J/K/L/M/N/P/R/S/T/V | 92-08 | 502 | 502G | | | | 503 | 503G | | | | |
| YZ 80 G/H/J/K/L/N | 80-85 | 502 | 502G | | | | 502 | 502G | | | | |
| YZ 80 S/T/U | 86-88 | FA119X | FA119R | | MD6029D | | 502 | 502G | | | | |
| YZ 80 W/A/B/D | 89-92 | FA119X | FA119R | | MD6029D | | 502 | 502G | | | | |
| YZ 80 E/F/G/H/J/K/L/M/N | 93-01 | FA119X | FA119R | | MD6030D | OSY6030C | MD6030C | N/A | FA84/3R | | MD6031D | MD6031C |
| YZ 85 P/R/S/T/V/W/X/Y/Z/A | 02-11 | FA119X | FA119R | | MD6030D | OSY6030C | MD6030C | N/A | FA84/3R | | MD6031D | MD6031C |
| TT-R 90 M/N/P/R/ES/S/ET/EV/EW/EX/EY | 00-07 | 502 | 502G | | | | 503 | 503G | | | | |
| DT 100 G/H/J | 80-82 | 504 | 504G | | | | 504 | 504G | | | | |
| DT 100 K | 83 | 503 | 503G | | | | 503 | 503G | | | | |
| MX 100 G/H/J | 80-82 | 504 | 504G | | | | 504 | 504G | | | | |
| MX 100 K | 83 | 503 | 503G | | | | 503 | 503G | | | | |
| RT 100 A/D/E/F/G/H/J/K/L/M | 91-00 | 503 | 503G | | | | 503 | 503G | | | | |
| YZ 100 F/G/H | 80-81 | 504 | 504G | | | | 506 | 506G | | | | |
| YZ 100 J/K | 82-83 | 503 | 503G | | | | 506 | 506G | | | | |
| TT-R 110 EX/EY/EA | 08-09/11 | 502 | 502G | | | | 503 | 503G | | | | |
| DT 125 G/H | 80-81 | 506 | 506G | | | | 506 | 506G | | | | |
| IT 125 G/H | 80-81 | 504 | 504G | | | | 506 | 506G | | | | |
| TT-R 125 M/N/P/R/ER/S/ES/ET/EV/EW/EX/EY | | | | | | | | | | | | |
| 17"/14" wheels for drum brakes | 00-09 | 503 | 503G | | | | 503 | 503G | | | | |
| TT-R 125 LWM/LN/LP/LER/LR/LES/LS/LT/LET/LV | | | | | | | | | | | | |
| /LEV/LW/LEW/LX/LEX/LEY/LEA 19"/16" wheels | | | | | | | | | | | | |
| disc front rear drum | 00-09/11 | FA119X | FA119R | | MD6158D | | MD6158C | 503 | 503G | | | |
| XT 125 J/K/KC | 82-83 | 506 | 506G | | | | 503 | 503G | | | | |
| YZ 125 F/G/H/J | 80-82 | 507 | 507G | | | | 506 | 506G | | | | |

All part numbers, prefixes and suffixes shown in this catalog are unique and form a registered copyright as the property of EBC Brakes and its UK trademark owners

* symbol after part# = 2 pieces reqd.
i.e. 2 pad sets or 2 contour rotors

PAD/SHOE/ROTOR Applications for Japanese DIRT Bikes

APPLICATIONS

BRAKE

DIRT BIKES

YAMAHA Contd.

| Year | FRONT | | | | | | REAR | | | | | |
|---|-----------------------|--------------------|---------------|--------------------|----------------|----------------|-----------------------|--------------------|---------------|--------------------|---------------|---------|
| | Brake PAD/Shoe Detail | | | Brake ROTOR Detail | | | Brake PAD/Shoe Detail | | | Brake ROTOR Detail | | |
| | SPORT CARBON | LONG LIFE SINTERED | RACE SINTERED | STANDARD ROTOR | OVERSIZE ROTOR | CONTOUR ROTOR | SPORT CARBON | LONG LIFE SINTERED | RACE SINTERED | STANDARD ROTOR | CONTOUR ROTOR | |
| "X" PADS/SHOES | "R" PADS | "MXS" PADS | WITHOUT PADS | WITH BRACKET | See Tech Pages | "X" PADS/SHOES | "R" PADS | "MXS" PADS | WITHOUT PADS | See Tech Pages | | |
| YZ 125 K | 83 | 507 | 507G | | | | 517 | 517G | | | | |
| YZ 125 L | 84 | 508 | 508G | | | | 517 | 517G | | | | |
| YZ 125 N | 85 | FA105X | FA105R | | MD6324D | | 517 | 517G | | | | |
| YZ 125 S/T | 86-87 | FA105X | FA105R | | MD6067D | | 506 | 506G | | | | |
| YZ 125 U | 88 | FA105X | FA105R | | MD6039D | | FA101X | FA101R | | MD6011D | | |
| YZ 125 W | 89 | FA135X | FA135R | MXS135 | MD6016D | | N/A | FA84/3R | | MD6011D | | |
| YZ 125 A | 90 | FA135X | FA135R | MXS135 | MD6012D | | FA152X | FA152R | MXS152 | MD6011D | | |
| YZ 125 B | 91 | FA135X | FA135R | MXS135 | MD6012D | | FA152/2X | FA152/2R | MXS152/2 | MD6011D | | |
| YZ 125 D/E | 92-93 | FA135X | FA135R | MXS135 | MD6028D | OS6028EC | MD6028C | FA152/2X | FA152/2R | MXS152/2 | MD6011D | |
| YZ 125 F/G/H/J | 94-97 | FA135X | FA135R | MXS135 | MD6028D | OS6028EC | MD6028C | FA152/2X | FA152/2R | MXS152/2 | MD6011D | |
| YZ 125 K/L/M | 98-00 | FA185X | FA185R | MXS185 | MD6028D | OS6028C▲ | MD6028C | FA131X | FA131R | MXS131 | MD6135D | MD6135C |
| YZ 125 N | 01 | FA185X | FA185R | MXS185 | MD6356D | OS6028C▲ | MD6356C | FA131X | FA131R | MXS131 | MD6135D | MD6135C |
| YZ 125 P | 02 | FA185X | FA185R | MXS185 | MD6356D | OS6028C▲ | MD6356C | FA131X | FA131R | MXS131 | MD6190D | MD6190C |
| YZ 125 R/S | 03-04 | FA185X | FA185R | MXS185 | MD6356D | OS6028C▲ | MD6356C | FA367X | FA367R | MXS367 | MD6190D | MD6190C |
| YZ 125 T/V/W | 05-07 | FA185X | FA185R | MXS185 | MD6356D | OS6028C▲ | MD6356C | FA367X | FA367R | MXS367 | MD6190D | MD6190C |
| YZ 125 X/Y/Z/A | 08-11 | FA450X | FA450R | MXS450 | | OS6728C▲ | MD6356C | FA367X | FA367R | MXS367 | | MD6190C |
| WR 125 K | 98 | FA135X | FA135R | MXS135 | MD6028D | OS6028EC | MD6028C | FA152X | FA152R | MXS152 | MD6011D | |
| DT 175 G/H | 80-81 | 506 | 506G | | | | 506 | 506G | | | | |
| IT 175 G/H/J/K | 80-83 | 507 | 507G | | | | 506 | 506G | | | | |
| MX 175 G/H | 80-81 | 504 | 504G | | | | 506 | 506G | | | | |
| RT 180 A/B/D | 90-92 | FA101X | FA101R | | N/A | | 506 | 506G | | | | |
| RT 180 E/G/H/J | 93-97 | FA101X | FA101R | | N/A | | 527 | 527G | | | | |
| BW 200 N/S/ES/ET/EU | 85-87 | 503 | 503G | | | | 503 | 503G | | | | |
| IT 200 L/N | 84-85 | 517 | 517G | | | | 517 | 517G | | | | |
| IT 200 S | 86 | FA105X | FA105R | | MD6039D | | 517 | 517G | | | | |
| TW 200 T/T/C/U/UC/W/WC/A/AC/B/BC | 87-91 | 506 | 506G | | | | 503 | 503G | | | | |
| TW 200 D/DC/E/EC/F/FC/G/GC/H/HC/J/JC/K/CK/EK/ECK | | | | | | | | | | | | |
| /L/LC/M/MC | 92-00 | 527 | 527G | | | | 503 | 503G | | | | |
| TW 200 N/NC/P/PC/R/R/C/S/SC/T/TC/NV/C/W/WC/X/Y/Z/A | 01-11 | FA275 | FA275HH | | MD6067D | | 503 | 503G | | | | |
| WR 200 D | 92 | FA135X | FA135R | | MD6066D | | FA152/2X | FA152/2R | | MD6121D | | |
| XT 200 J/K/KC | 82-83 | 506 | 506G | | | | 503 | 503G | | | | |
| TT 225 S/T | 86-87 | FA101X | FA101R | | MD6067D | | 503 | 503G | | | | |
| TT-R 225 L/M/N/P/R/S | 99-03 | FA101X | FA101R | | MD6067D | | 527 | 527G | | | | |
| XT 225 D/DC/E/EC/F/FC/G/GC/H/HC/J/JC/K/CK/L/LC/M/MC | 92-00 | FA101X | FA101R | | MD6067D | | 503 | 503G | | | | |
| XT 225 N/NC/P/PC/R/R/C/S/SC/T/TC/NV/C/W/WC | 01-07 | FA275X | | | MD6067D | | 503 | 503G | | | | |
| TT-R 230 T/V/W/X/Y/A | 05-09/11 | FA135X | FA135R | MXS135 | MD6067D | | 527 | 527G | | | | |
| IT 250 F/G | 77-80 | 507 | 507G | | | | 528 | 528G | | | | |
| IT 250 H/J | 81-82 | 507 | 507G | | | | 510 | 510G | | | | |
| IT 250 K | 83 | 508 | 508G | | | | 510 | 510G | | | | |
| TT 250 G/H/J | 80-82 | 507 | 507G | | | | 506 | 506G | | | | |
| TT-R 250 L/M/N/P/R/S/T/N | 99-06 | FA135X | FA135R | MXS135 | MD6066D | | FA152X | FA152R | MXS152 | MD6121D | | |
| XT 250 G/H/J/K/KC/L/LC | 80-84 | 506 | 506G | | | | 506 | 506G | | | | |
| XT 250 X/Y/Z/A | 08-11 | FA275 | FA275HH | | MD6067D | | FA152X | FA152R | MXS152 | MD6244D | | |
| YZ 250 G | 80 | 507 | 507G | | | | 506 | 506G | | | | |
| YZ 250 H | 81 | 507 | 507G | | | | 510 | 510G | | | | |
| YZ 250 J/K/L | 82-84 | 508 | 508G | | | | 506 | 506G | | | | |
| YZ 250 N/S | 85- | FA105X | FA105R | | MD6324D | | 506 | 506G | | | | |
| YZ 250 S/T | 86-87 | FA105X | FA105R | | MD6067D | | 506 | 506G | | | | |
| YZ 250 U | 88 | FA105X | FA105R | | MD6039D | | FA101X | FA101R | | MD6011D | | |
| YZ 250 W | 89 | FA135X | FA135R | MXS135 | MD6016D | | N/A | FA84/3R | | MD6011D | | |
| YZ 250 WRW | 89 | FA135X | FA135R | MXS135 | MD6016D | | N/A | FA84/3R | | MD6011D | | |
| YZ 250 WRA | 90 | FA135X | FA135R | MXS135 | MD6028D | OS6028EC | MD6028C | FA152X | FA152R | MXS152 | MD6011D | |
| YZ 250 A/B | 90-91 | FA135X | FA135R | MXS135 | MD6012D | | FA152X | FA152R | MXS152 | MD6011D | | |
| YZ 250 D/E | 92-93 | FA135X | FA135R | MXS135 | MD6028D | OS6028EC | MD6028C | FA152/2X | FA152/2R | MXS152/2 | MD6011D | |
| YZ 250 F/G/H/J | 94-97 | FA135X | FA135R | MXS135 | MD6028D | OS6028EC | MD6028C | FA152/2X | FA152/2R | MXS152/2 | MD6011D | |
| YZ 250 K/L/M | 98-00 | FA185X | FA185R | MXS185 | MD6028D | OS6028C▲ | MD6028C | FA131X | FA131R | MXS131 | MD6135D | MD6135C |
| YZ 250 N | 01 | FA185X | FA185R | MXS185 | MD6356D | OS6028C▲ | MD6356C | FA131X | FA131R | MXS131 | MD6135D | MD6135C |
| YZ 250 P | 02 | FA185X | FA185R | MXS185 | MD6356D | OS6028C▲ | MD6356C | FA131X | FA131R | MXS131 | MD6190D | MD6190C |

▲ Supersport oversize disc conversion available for this disc - see page 335.

All part numbers, prefixes and suffixes shown in this catalog are unique and form a registered copyright as the property of EBC Brakes and its UK trademark owners

* symbol after part# = 2 pieces reqd. i.e. 2 pad sets or 2 contour rotors

PAD/SHOE/ROTOR Applications for Japanese DIRT Bikes

DIRT BIKES

YAMAHA Contd.

| Year | FRONT | | | | | | REAR | | | | | |
|--|-----------------------|--------------------|---------------|--------------------|----------------|----------------|-----------------------|--------------------|---------------|--------------------|----------------|---------|
| | Brake PAD/Shoe Detail | | | Brake ROTOR Detail | | | Brake PAD/Shoe Detail | | | Brake ROTOR Detail | | |
| | SPORT CARBON | LONG LIFE SINTERED | RACE SINTERED | STANDARD ROTOR | OVERSIZE ROTOR | CONTOUR ROTOR | SPORT CARBON | LONG LIFE SINTERED | RACE SINTERED | STANDARD ROTOR | CONTOUR ROTOR | |
| | *X* PADS/SHOES | *R* PADS | *MXS* PADS | WITHOUT PADS | WITH BRACKET | See Tech Pages | *X* PADS/SHOES | *R* PADS | *MXS* PADS | WITHOUT PADS | See Tech Pages | |
| YZ 250 R/S (2T) | 03-04 | FA185X | FA185R | MXS185 | MD6356D | OS6028C▲ | MD6356C | FA367X | FA367R | MXS367 | MD6190D | MD6190C |
| YZ 250 T/V/W (2T) | 05-07 | FA185X | FA185R | MXS185 | MD6356D | OS6028C▲ | MD6356C | FA367X | FA367R | MXS367 | MD6190D | MD6190C |
| YZ 250 X/Y/Z/A (2T) | 08-11 | FA450X | FA450R | MXS450 | | OS6028C▲ | MD6356C | FA367X | FA367R | MXS367 | | MD6190C |
| YZ 250 FN (4T) | 01 | FA185X | FA185R | MXS185 | MD6356D | OS6028C▲ | MD6356C | FA131X | FA131R | MXS131 | MD6135D | MD6135C |
| YZ 250 FP (4T) | 02 | FA185X | FA185R | MXS185 | MD6356D | OS6028C▲ | MD6356C | FA131X | FA131R | MXS131 | MD6190D | MD6190C |
| YZ 250 FR/FS (4T) | 03-04 | FA185X | FA185R | MXS185 | MD6356D | OS6028C▲ | MD6356C | FA367X | FA367R | MXS367 | MD6190D | MD6190C |
| YZ 250 FT/FV (4T) | 05-06 | FA185X | FA185R | MXS185 | MD6356D | OS6028C▲ | MD6356C | FA367X | FA367R | MXS367 | MD6190D | MD6190C |
| YZ 250 FW/FX/FY/FZ/A (4T) | 07-11 | FA450X | FA450R | MXS450 | | OS6728C▲ | MD6356C | FA367X | FA367R | MXS367 | | |
| WR 250 ZB | 91 | FA135X | FA135R | MXS135 | MD6012D | | | FA152X | FA152R | MXS152 | MD6011D | |
| WR 250 ZD/ZE/ZF/ZG/ZH/ZJ | 92-97 | FA135X | FA135R | MXS135 | MD6028D | OS6028C | MD6028C | FA152X | FA152R | MXS152 | MD6011D | |
| WR 250 FN (4T) | 01 | FA185X | FA185R | MXS185 | MD6356D | OS6028C▲ | MD6356C | FA131X | FA131R | MXS131 | MD6135D | MD6135C |
| WR 250 FP (4T) | 02 | FA185X | FA185R | MXS185 | MD6356D | OS6028C▲ | MD6356C | FA131X | FA131R | MXS131 | MD6190D | MD6190C |
| WR 250 FR/FS (4T) | 03-04 | FA185X | FA185R | MXS185 | MD6356D | OS6028C▲ | MD6356C | FA367X | FA367R | MXS367 | MD6190D | MD6190C |
| WR 250 FT/FV (4T) | 05-06 | FA185X | FA185R | MXS185 | MD6356D | OS6028C▲ | MD6356C | FA367X | FA367R | MXS367 | MD6190D | MD6190C |
| WR 250 FW/FX/FY/FZ/FA (4T) | 07-11 | FA185X | FA185R | MXS185 | | OS6028C▲ | MD6356C | FA367X | FA367R | MXS367 | | MD6190C |
| WR 250 XX/XY/XZ/XA (Supermotard) | 08-11 | FA142 | FA142HH | | | | MD6323C | FA367X | FA367R | MXS367 | | MD6319C |
| WR 250 RX/RV/RZ/XA | 08-11 | FA185X | FA185R | MXS185 | | | MD6320C | FA367X | FA367R | MXS367 | | MD6319C |
| BW 350 T/U | 87-88 | 517 | 517G | | | | 504 | 504G | | | | |
| TT 350 S/T | 86-87 | FA105X | FA105R | | MD6039D | | 506 | 506G | | | | |
| TY 350 N/S | 85-86 | 517 | 517G | | | | 504 | 504G | | | | |
| XT 350 N/NC/S/SC | 85-86 | FA101X | FA101R | | MD6068D | | 506 | 506G | | | | |
| XT 350 T/TC/U/UC/W/WC/A | 87-90 | FA101X | FA101R | | MD6068D | | 506 | 506G | | | | |
| XT 350 B/BC/D/E/EC/F/FC/G/GC/H/HC/I/IC/K/KC/L/LM | 91-00 | FA101X | FA101R | | MD6068D | | 527 | 527G | | | | |
| WR 400 FK | 98 | FA185X | FA185R | MXS185 | MD6028D | OS6028C▲ | MD6028C | FA152X | FA152R | MXS152 | MD6011D | |
| WR 400 FL/FM | 99-00 | FA185X | FA185R | MXS185 | MD6028D | OS6028C▲ | MD6028C | FA131X | FA131R | MXS131 | MD6135D | MD6135C |
| WR 400 FN | 01 | FA185X | FA185R | MXS185 | MD6017D | OS6028C▲ | MD6017C | FA131X | FA131R | MXS131 | MD6135D | MD6135C |
| YZ 400 FK | 98 | FA185X | FA185R | MXS185 | MD6028D | OS6028C▲ | MD6028C | FA152X | FA152R | MXS152 | MD6011D | |
| YZ 400 FL | 99 | FA185X | FA185R | MXS185 | MD6028D | OS6028C▲ | MD6028C | FA131X | FA131R | MXS131 | MD6135D | MD6135C |
| IT 425 G | 80 | 507 | 507G | | | | 528 | 528G | | | | |
| WR 426 FN | 01 | FA185X | FA185R | MXS185 | MD6356D | OS6028C▲ | MD6356C | FA131X | FA131R | MXS131 | MD6135D | MD6135C |
| WR 426 FP | 02 | FA185X | FA185R | MXS185 | MD6356D | OS6028C▲ | MD6356C | FA131X | FA131R | MXS131 | MD6190D | MD6190C |
| YZ 426 FM | 00 | FA185X | FA185R | MXS185 | MD6028D | OS6028C▲ | MD6028C | FA131X | FA131R | MXS131 | MD6135D | MD6135C |
| YZ 426 FN | 01 | FA185X | FA185R | MXS185 | MD6356D | OS6028C▲ | MD6356C | FA131X | FA131R | MXS131 | MD6135D | MD6135C |
| YZ 426 FP | 02 | FA185X | FA185R | MXS185 | MD6356D | OS6028C▲ | MD6356C | FA131X | FA131R | MXS131 | MD6190D | MD6190C |
| WR 450 FR/FS | 03-04 | FA185X | FA185R | MXS185 | MD6356D | OS6028C▲ | MD6356C | FA367X | FA367R | MXS367 | MD6190D | MD6190C |
| WR 450 FT/FV | 05-06 | FA185X | FA185R | MXS185 | MD6356D | OS6028C▲ | MD6356C | FA367X | FA367R | MXS367 | MD6190D | MD6190C |
| WR 450 FW/FX/FY/FZ | 07-10 | FA185X | FA185R | MXS185 | | OS6028C▲ | MD6356C | FA367X | FA367R | MXS367 | | MD6190C |
| YZ 450 FR/FS | 03-04 | FA185X | FA185R | MXS185 | MD6356D | OS6028C▲ | MD6356C | FA367X | FA367R | MXS367 | MD6190D | MD6190C |
| YZ 450 FT/FV | 05-06 | FA185X | FA185R | MXS185 | MD6356D | OS6028C▲ | MD6356C | FA367X | FA367R | MXS367 | MD6190D | MD6190C |
| YZ 450 FW | 07 | FA185X | FA185R | MXS185 | | OS6028C▲ | MD6356C | FA367X | FA367R | MXS367 | | MD6190C |
| YZ 450 FX/FY/FZ | 08-10 | FA450X | FA450R | MXS450 | | OS6728C▲ | MD6356C | FA367X | FA367R | MXS367 | | MD6190C |
| IT 465 H/J | 81-82 | 508 | 508G | | | | 510 | 510G | | | | |
| YZ 465 G | 80 | 508 | 508G | | | | 528 | 528G | | | | |
| YZ 465 H | 81 | 508 | 508G | | | | 510 | 510G | | | | |
| IT 490 K/L | 83-84 | 508 | 508G | | | | 510 | 510G | | | | |
| YZ 490 J | 82 | 508 | 508G | | | | 510 | 510G | | | | |
| YZ 490 K | 83 | 508 | 508G | | | | 506 | 506G | | | | |
| YZ 490 L | 84 | 508 | 508G | | | | 510 | 510G | | | | |
| YZ 490 N | 85 | FA105X | FA105R | | MD6324D | | 510 | 510G | | | | |
| YZ 490 S/T | 86-87 | FA105X | FA105R | | MD6067D | | 510 | 510G | | | | |
| YZ 490 U/W | 88-89 | FA105X | FA105R | | MD6039D | | 510 | 510G | | | | |
| WR 500 ZD/ZE | 92-93 | FA135X | FA135R | MXS135 | MD6016D | | | FA152X | FA152R | MXS152 | MD6011D | |
| TT 500 G/H | 80-81 | 507 | 507G | | | | 528 | 528G | | | | |
| XT 500 G/H | 80-81 | 528 | 528G | | | | 510 | 510G | | | | |
| XT 550 J/K | 82-83 | 510 | 510G | | | | 510 | 510G | | | | |
| TT 600 K/L | 83-84 | 508 | 508G | | | | 506 | 506G | | | | |
| TT 600 N/S | 85-86 | FA101X | FA101R | | MD6039D | | 506 | 506G | | | | |
| XT 600 L/LC/N/LN/S/SC | 84-86 | FA81 | FA81R | | MD6070D | | 510 | 510G | | | | |

All part numbers, prefixes and suffixes shown in this catalog are unique and form a registered copyright as the property of EBC Brakes and its UK trademark owners

* symbol after part# = 2 pieces reqd.
i.e. 2 pad sets or 2 contour rotors

PAD/SHOE/ROTOR Applications for Japanese/European DIRT Bikes

APPLICATIONS

BRAKE

DIRT BIKES

YAMAHA Contd.

| | Year | FRONT | | | | | REAR | | | | | |
|--|-------|-----------------------|--------------------|---------------|--------------------|----------------|-----------------------|--------------|--------------------|--------------------|----------------|---------------|
| | | Brake PAD/Shoe Detail | | | Brake ROTOR Detail | | Brake PAD/Shoe Detail | | | Brake ROTOR Detail | | |
| | | SPORT CARBON | LONG LIFE SINTERED | RACE SINTERED | STANDARD ROTOR | OVERSIZE ROTOR | CONTOUR ROTOR | SPORT CARBON | LONG LIFE SINTERED | RACE SINTERED | STANDARD ROTOR | CONTOUR ROTOR |
| XT 600 T/TC/U/UC/W/WC | 87-89 | FA81 | FA81R | | MD6070D | | See Tech Pages | 510 | 510G | | | |
| XT 600 EA/EB/ED/EDC/EE/EEC/EF/EFC/EG/EGC | 90-95 | FA172X | FA172R | | MD6070D | | | FA101X | FA101R | | MD6072D | |
| XT 1200 Z Super Tenere | 12 | | FA380HH* | | | | TBA* | FA319/2 | FA319/2HH | | | TBA |

APRILIA

| | | | | | | | | | | | | |
|----------------------------|-------|---------|-----------|--------|---------|-----|--|--------|---------|--------|---------|--|
| MXV 4.5 | 09-11 | FA185X | FA185R | MXS185 | TBA | | | FA367X | FA367R | MXS367 | TBA | |
| Pegaso 650 ie (All models) | 99-04 | FA209/2 | FA209/2HH | | MD6129D | | | FA173 | | | MD6128D | |
| RVX 4.5/5.5 | 06-11 | FA185X | FA185R | MXS185 | TBA | | | FA367X | FA367R | MXS367 | TBA | |
| SXV 4.5/5.5 | 09-11 | | | MXS405 | TBA | | | FA367X | FA367R | MXS367 | TBA | |
| Dorsoduro 750 | 08-11 | FA432* | FA432HH* | | TBA | TBA | | FA213 | FA213HH | | TBA | |

ATK

| | | | | | | | | | | | | |
|---------------------------|-------|--------|--------|--------|---------|--|---------|--------|--------|--------|---------|---------|
| 50 MXLQ | 03 | TBA | | | | | | TBA | | | | |
| 50 MXN/TN | 03 | TBA | | | | | | TBA | | | | |
| 50 MXA | 03 | TBA | | | | | | TBA | | | | |
| 50 MXE/MXLO | 03 | TBA | | | | | | TBA | | | | |
| 125 (2 Stroke Enduro) | 03 | FA181X | FA181R | MXS181 | TBA | | | FA208X | FA208R | MXS208 | TBA | |
| 124 (4 Stroke Enduro) | 03 | TBA | | | N/A | | | TBA | | | N/A | |
| 250/260 (2 Stroke Enduro) | 03 | FA181X | FA181R | MXS181 | N/A | | | FA208X | FA208R | MXS208 | N/A | |
| 250 (2T) | 04 | FA181X | FA181R | MXS181 | MD6032D | | MD6032C | FA208X | FA208R | MXS208 | MD6035D | MD6035C |
| 370 (2T) | 04 | FA181X | FA181R | MXS181 | MD6032D | | MD6032C | FA208X | FA208R | MXS208 | MD6035D | MD6035C |
| 450 MX | 05 | TBA | | | TBA | | | TBA | | | TBA | |
| 450 MX | 07 | FA181X | FA181R | MXS181 | N/A | | | FA208X | FA208R | MXS208 | N/A | |
| 450 XC | 05 | TBA | | | TBA | | | TBA | | | TBA | |
| 450 XC | 07 | FA181X | FA181R | MXS181 | N/A | | | FA208X | FA208R | MXS208 | N/A | |
| 450 Enduro | 05 | TBA | | | TBA | | | TBA | | | TBA | |
| Enduro 450 | 07 | FA181X | FA181R | MXS181 | N/A | | | FA208X | FA208R | MXS208 | N/A | |
| 450 Motard | 05 | TBA | | | TBA | | | TBA | | | TBA | |
| Motard 450 | 07 | FA95 | FA95HH | | N/A | | | FA131X | FA131R | MXS131 | N/A | |
| 500 Enduro | 03 | FA181X | FA181R | MXS181 | N/A | | | FA208X | FA208R | MXS208 | N/A | |
| 500/600 Super Motard | 02-03 | FA95 | FA95HH | | N/A | | | FA208X | FA208R | MXS208 | N/A | |
| 500 (2T) | 04 | FA181X | FA181R | MXS181 | MD6032D | | MD6032C | FA208X | FA208R | MXS208 | MD6035D | MD6035C |
| 560 | 84-85 | FA47X | FA47R | | N/A | | | | 814G | | | |
| 560 | 86 | FA47X | FA47R | | N/A | | | FA50X | | | N/A | |
| 560 | 87-88 | FA47X | FA47R | | N/A | | | FA115X | FA115R | | N/A | |
| 560 & other models | 89-91 | FA126X | FA126R | | N/A | | | FA116X | | | N/A | |
| All models | 92 | FA126X | FA126R | | N/A | | | FA47X | FA47R | | N/A | |
| All models | 93-96 | FA135X | FA135R | MXS135 | N/A | | | FA135X | FA135R | MXS135 | N/A | |
| All models | 97-99 | FA181X | FA181R | MXS181 | N/A | | | FA208X | FA208R | MXS208 | N/A | |
| 600 DTM Dirt Track Motard | 03 | FA95 | FA95HH | | N/A | | | FA208X | FA208R | MXS208 | N/A | |
| 605 Enduro | 03 | FA181X | FA181R | MXS181 | N/A | | | FA208X | FA208R | MXS208 | N/A | |
| 620 (2T) Intimidator | 04 | FA181X | FA181R | MXS181 | MD6032D | | MD6032C | FA208X | FA208R | MXS208 | MD6035D | MD6035C |
| 700 (2T) Intimidator | 04 | FA181X | FA181R | MXS181 | MD6032D | | MD6032C | FA208X | FA208R | MXS208 | MD6035D | MD6035C |
| 700 Intimidator | 05 | TBA | | | TBA | | | TBA | | | TBA | |

BETA

| | | | | | | | | | | | | |
|---------------|-------|--------|--------|--------|-----|--|--|--------|--------|--------|-----|--|
| Mini Trial 50 | 09-10 | FA351 | | | N/A | | | N/A | | | N/A | |
| Rev 50/80 | 02-06 | FA115X | FA115R | | N/A | | | FA115X | FA115R | | N/A | |
| Evo 80 Junior | 09-10 | FA115X | FA115R | | N/A | | | FA115X | FA115R | | N/A | |
| Evo 80 | 09-10 | FA303X | | | N/A | | | FA403 | | | N/A | |
| Evo 125 (2T) | 10-11 | FA303X | | | N/A | | | FA495X | | | N/A | |
| 125 TR32/33 | 86-87 | FA99X | FA99R | | N/A | | | | 841G | | | |
| 125 TR34 | 88 | FA99X | FA99R | | N/A | | | FA116X | | | N/A | |
| 125 TR34/35 | 89-90 | FA115X | FA115R | MXS115 | N/A | | | FA115X | FA115R | MXS115 | N/A | |
| Evo 200 (2T) | 10-11 | FA303X | | | N/A | | | FA495X | | | N/A | |
| 240 TR33 | 86-88 | FA99X | FA99R | | N/A | | | | 841G | | | |
| Evo 250 (2T) | 09-11 | FA303X | | | N/A | | | FA495X | | | N/A | |
| Evo 250 (4T) | 09-11 | FA303X | | | N/A | | | FA495X | | | N/A | |

▲ Supersmoto oversize disc conversion available for this disc - see page 335.

All part numbers, prefixes and suffixes shown in this catalog are unique and form a registered copyright as the property of EBC Brakes and its UK trademark owners

* symbol after part# = 2 pieces reqd. i.e. 2 pad sets or 2 contour rotors

PAD/SHOE/ROTOR Applications for European DIRT Bikes

DIRT BIKES

BETA Contd.

| | Year | FRONT | | | | | | REAR | | | | |
|-----------------------|----------|-----------------------|--------------------|---------------|--------------------|----------------|---------------|-----------------------|--------------------|----------------|--------------------|---------------|
| | | Brake PAD/Shoe Detail | | | Brake ROTOR Detail | | | Brake PAD/Shoe Detail | | | Brake ROTOR Detail | |
| | | SPORT CARBON | LONG LIFE SINTERED | RACE SINTERED | STANDARD ROTOR | OVERSIZE ROTOR | CONTOUR ROTOR | SPORT CARBON | LONG LIFE SINTERED | RACE SINTERED | STANDARD ROTOR | CONTOUR ROTOR |
| *X* PADS/SHOES | *R* PADS | *MXS* PADS | WITHOUT PADS | WITH BRACKET | See Tech Pages | *X* PADS/SHOES | *R* PADS | *MXS* PADS | WITHOUT PADS | See Tech Pages | | |
| Evo 290 (2T) | 09-11 | FA303X | | | N/A | | | | N/A | | | |
| Evo 300 (4T) | 09-11 | FA303X | | | N/A | | | | N/A | | | |
| 260 TR34 | 86-88 | FA99X | FA99R | | N/A | | | | N/A | | | |
| 260 TR34/35/Zero | 89-92 | FA115X | FA115R | MXS115 | N/A | | FA164X | FA164R | | N/A | | |
| Synt/Gara | 93-96 | FA115X | FA115R | MXS115 | N/A | | FA156X | N/A | | N/A | | |
| Alp 200 4T | 00-06 | FA115X | FA115R | MXS115 | N/A | | FA115X | FA115R | MXS115 | N/A | | |
| Rev 3 125/200/250/270 | 00-04 | FA303X | | | N/A | | FA303X | | | N/A | | |
| Rev 3 125/200 | 05 | FA303X | | | N/A | | FA303X | | | N/A | | |
| Rev 3 250/270 | 05-08 | FA303X | | | N/A | | FA403X | | | N/A | | |
| Rev 3 125/200 | 06-08 | FA303X | | | N/A | | FA403X | | | N/A | | |
| RR 50 Motard | 06 | FA167 | FA167HH | | N/A | | FA115 | FA115HH | | N/A | | |
| RR 250 4T | 05-08 | FA185X | FA185R | MXS185 | N/A | | FA367X | FA367R | MXS367 | N/A | | |
| RR 400 4T | 05-11 | FA185X | FA185R | MXS185 | N/A | | FA367X | FA367R | MXS367 | N/A | | |
| RR 450 4T | 05-11 | FA185X | FA185R | MXS185 | N/A | | FA367X | FA367R | MXS367 | N/A | | |
| RR 525 4T | 05-11 | FA185X | FA185R | MXS185 | N/A | | FA367X | FA367R | MXS367 | N/A | | |
| RR 400 4T | 08-11 | FA185X | FA185R | MXS185 | N/A | | FA367X | FA367R | MXS367 | N/A | | |
| RR 450 4T | 08-11 | FA185X | FA185R | MXS185 | N/A | | FA367X | FA367R | MXS367 | N/A | | |
| RR 525 4T | 08-11 | FA185X | FA185R | MXS185 | N/A | | FA367X | FA367R | MXS367 | N/A | | |
| SM 400 4T | 10-11 | FA185X | FA185R | MXS185 | N/A | | FA367X | FA367R | MXS367 | N/A | | |
| SM 450 4T | 10-11 | FA185X | FA185R | MXS185 | N/A | | FA367X | FA367R | MXS367 | N/A | | |
| SM 525 4T | 10-11 | FA185X | FA185R | MXS185 | N/A | | FA367X | FA367R | MXS367 | N/A | | |

BMW

| | | | | | | | | | | | | |
|--|-----------|----------|------------|--------|---------|---------|---------|--------|---------|--------|---------|---------|
| G 450 X | 08-11 | FA181X | FA181R | MXS181 | | OS6343C | MD6343C | FA368X | FA368R | MXS368 | MD6342D | MD6342C |
| F 650/650 ST (Chain driven/inc ABS models) | 93-00 | FA209/2 | FA209/2HH | | MD650LS | | | FA213 | FA213HH | | MD651 | |
| F 650 GS/Dakar GS (Chain driven/inc ABS models) | 93-08 | FA209/2 | FA209/2HH | | MD650LS | | | FA213 | FA213HH | | MD651 | |
| F 650 GS (Twin cylinder model) | 08-11 | FA209/2 | FA209/2HH | | MD650RS | | | FA213 | FA213HH | | TBA | |
| F 650 GS (Belt driven/inc ABS models) | 00-06 | FA209/2 | FA209/2HH | | MD650RS | | | FA213 | FA213HH | | MD651 | |
| G 650 GS (Single cylinder/Chain Drive) | 09 | FA209/2 | FA209/2HH | | MD650LS | | | | | | | |
| G 650 Xchallenge | 07-09 | FA209/2 | FA209/2HH | | | | MD809C | FA213 | FA213HH | | MD810C | |
| G 650 Xmoto | 07-09 | FA244 | FA244HH | | MD621X | | MD621XC | FA213 | FA213HH | | TBA | |
| G 650 Xcountry | 07-09 | FA209/2 | FA209/2HH | | MD809 | | | FA213 | FA213HH | | TBA | |
| R 65 GS | 87-92 | FA18 | FA18HH | | MD606RS | | | 861 | | | | |
| F 800 GS (Twin cylinder model/798cc/Spoke wheel) | 08-11 | FA209/2* | FA209/2HH* | | TBA* | | | FA208X | FA208R | | TBA | |
| R 80 GS | 80-87 | FA18 | FA18HH | | MD606RS | | | 861 | | | | |
| R 80 GS | 87-95 | FA77 | | | MD606RS | | | 859 | | | | |
| R 80 PD/CH | 90-95 | FA77 | | | MD606RS | | | 859 | | | | |
| R 850 GS | 96 | FA77 | | | MD605RS | | | 859 | | | | |
| R 850 GS (Std & ABS models) | 96-00 | FA407* | FA407HH* | MD652 | MD652 | MD652C* | | FA363 | FA363HH | MD653 | MD653C | |
| R 100 GS | 86-94 | FA77 | | | MD605RS | | | 859 | | | | |
| R 100 PD | 89-96 | FA77 | | | MD605RS | | | 859 | | | | |
| R 1100 GS (STD & ABS) | 93-99 | FA407* | FA407HH* | MD652 | MD652 | MD652C* | | FA363 | FA363HH | MD653 | MD653C | |
| R 1150 GS (K80/0415) | 98-01 | FA407* | FA407HH* | | MD652* | | MD652C* | FA363 | FA363HH | | MD653 | MD653C |
| R 1150 GS (K89/0441/Non ABS/Brembo caliper) | 07/01-06 | | FA335HH* | | MD652* | | MD652C* | FA363 | FA363HH | | MD653 | MD653C |
| R 1150 GS (K89/0441/Integral ABS/Tokico Caliper) | 09/02-06 | | FA294HH* | | MD652* | | MD652C* | FA363 | FA363HH | | MD653 | MD653C |
| R1200GS (K25/0307/Cast/Spoke Wheel) | | | | | | | | | | | | |
| (Disc has loose buttons) | 02-07 | | FA335HH* | | MD687* | | | FA363 | FA363HH | | MD671 | |
| R1200GS Adventure (K25/0382/Spoke wheel) | | | | | | | | | | | | |
| (Disc has loose buttons) | 05-07 | | FA335HH* | | MD687* | | | FA363 | FA363HH | | MD671 | |
| R1200GS Adventure/M (K25/0380/Spoke wheel) | | | | | | | | | | | | |
| (Disc has fixed bobbins) | 06-11 | | FA335HH* | | MD818* | | | FA363 | FA363HH | | MD671 | |
| R1200GS/M (K25/0303/Cast/Spoke wheel) | | | | | | | | | | | | |
| (Disc has fixed bobbins) | 06-11 | | FA335HH* | | MD818* | | | FA363 | FA363HH | | MD671 | |
| HP2 (Enduro) | 05-08 | FA209/2 | FA209/2HH | | MD687* | | | FA363 | FA363HH | | MD671 | |
| HP2 Megamoto (Disc has fixed bobbins) | Dec 07-09 | | FA335HH* | | MD823* | | | FA363 | FA363HH | | MD671 | |
| HP2 Megamoto (Disc has loose bobbins) | Nov 07 | | FA335HH* | | MD803* | | | FA363 | FA363HH | | MD671 | |

IMPORTANT NOTE

① - remove rotor outer ring from centre casting and refit. ② - remove ABS ring from old rotor and refit to new EBC rotor.
Note: Ensure all mounting surfaces are clean and when refitting bolts use a thread lock cement to hold them in place.

All part numbers, prefixes and suffixes shown in this catalog are unique and form a registered copyright as the property of EBC Brakes and its UK trademark owners

* symbol after part# = 2 pieces reqd.
i.e. 2 pad sets or 2 contour rotors

▲ Supermoto oversize disc conversion available for this disc - see page 335.

BRAKE APPLICATIONS

PAD/SHOE/ROTOR Applications for European DIRT Bikes

DIRT BIKES

CAGIVA

| Year | FRONT | | | | | | REAR | | | | |
|-----------------------|-----------------------|--------------------|---------------|--------------------|----------------|---------------|-----------------------|--------------------|---------------|--------------------|---------------|
| | Brake PAD/Shoe Detail | | | Brake ROTOR Detail | | | Brake PAD/Shoe Detail | | | Brake ROTOR Detail | |
| | SPORT CARBON | LONG LIFE SINTERED | RACE SINTERED | STANDARD ROTOR | OVERSIZE ROTOR | CONTOUR ROTOR | SPORT CARBON | LONG LIFE SINTERED | RACE SINTERED | STANDARD ROTOR | CONTOUR ROTOR |
| WMX 125 (Rimoldi hub) | -85 | UGS | 944G | | | | UGS | 841G | | | |
| WMX 125 | 86 | FA47X | FA47R | | N/A | | UGS | 977G | | | |
| WMX 125/250 | 87-88 | FA134X | FA134R | | N/A | | UGS | 977G | | | |
| WMX 125/250 | 89-91 | FA134X | FA134R | | N/A | | FA67X | FA67R | | N/A | |
| WMX 250 | -85 | FA47X | FA47R | | N/A | | UGS | 841G | | | |
| WMX 500 | 84-86 | FA47X | FA47R | | N/A | | UGS | 982G | | | |

COBRA (Mini Bikes)

| | | | | | | | | | | | |
|---------|-------|--------|--------|--|-----|--|--------|--------|--|-----|--|
| CM 50 | 05-06 | TBA | | | | | TBA | | | | |
| King 50 | 02-03 | CFA331 | | | N/A | | CFA331 | | | N/A | |
| King 50 | 04-06 | FA325X | FA325R | | N/A | | FA325X | FA325R | | N/A | |
| P3 | 05-06 | TBA | | | | | TBA | | | | |
| DC 65 | 06 | TBA | | | N/A | | FA325X | FA325R | | N/A | |

CPI

| | | | | | | | | | | | |
|------------|-------|--------|--------|--|-----|--|--------|--------|--|-----|--|
| Enduro 50 | 06-08 | FA115X | FA115R | | N/A | | FA115X | FA115R | | N/A | |
| Enduro 250 | 07-08 | FA115X | FA115R | | N/A | | FA115X | FA115R | | N/A | |

CZ/JAWA

| | | | | | | | | | | | |
|--|-------|-----|--|--|--|--|-----|--|--|--|--|
| Scrambler Cross 125-380 (Single/twin port models) | 65-76 | 950 | | | | | 950 | | | | |
| Jawa 250/400 Cross | 65-76 | 950 | | | | | 950 | | | | |
| 250/380 (Models 513/514) Full width front hub models | 77-79 | N/A | | | | | 950 | | | | |

GAS-GAS

| | | | | | | | | | | | |
|-----------------------------------|-------|--------|---------|--------|---------|---------|--------|--------|--------|---------|---------|
| EC 50 (Boy) | 01-04 | FA291X | | | N/A | | FA291X | | | N/A | |
| EC 50 Boy (Air Cooled) | 05 | FA115X | FA115HH | MXS115 | N/A | | FA351X | | | N/A | |
| EC 50 Boy (LC) | 05 | FA303X | | | N/A | | FA351X | | | N/A | |
| EC 50 (Rookie) | 01-04 | FA167 | FA167HH | | N/A | | FA291X | | | N/A | |
| EC 50 | 05 | FA194 | FA194HH | | N/A | | FA291X | | | N/A | |
| SM 50 (Rookie) | 01-04 | FA167 | FA167HH | | N/A | | FA291X | | | N/A | |
| SM 50 | 05 | FA194 | FA194HH | | N/A | | FA291X | | | N/A | |
| TXT 50 (Boy) | 01 | FA291X | | | N/A | | FA291X | | | N/A | |
| TXT 50 (Boy) | 04-11 | FA115X | FA115R | MXS115 | N/A | | FA115X | FA115R | | N/A | |
| TXT 50/80 (Rookie) | 02-03 | FA291X | | | N/A | | FA291X | | | N/A | |
| MC 65 | 05-06 | FA351X | | | N/A | | FA115X | | | N/A | |
| TXT 70 Rookie/Cadet | 10-11 | FA303X | | | N/A | | FA351X | | | N/A | |
| TXT 80 Rookie/Cadet | 04-08 | FA303X | | | N/A | | FA351X | | | N/A | |
| Enduros 125/250 | 00 | FA181X | FA181R | MXS181 | N/A | | FA208X | FA208R | MXS208 | N/A | |
| Enduro EC 200/250/300 | 97-99 | FA181X | FA181R | MXS181 | N/A | | FA131X | FA131R | MXS131 | MD6253D | MD6253C |
| EC 125/200/250/300 | 00-09 | FA185X | FA185R | MXS185 | MD6289D | MD6289C | FA131X | FA131R | MXS131 | MD6253D | MD6253C |
| EC125/200/250/300 (All models/2T) | 10-11 | FA185X | FA185R | MXS185 | | MD6289C | FA367X | FA367R | MXS367 | | MD6253C |
| JTX 125/200/270/320 | 95-98 | FA115X | FA115R | MXS115 | N/A | | FA115X | FA115R | MXS115 | N/A | |
| MC 125 | 05 | FA185X | FA185R | MXS185 | MD6289D | MD6289C | FA131X | FA131R | MXS131 | MD6253D | MD6253C |
| MX 125/250 | 01-08 | FA185X | FA185R | MXS185 | MD6289D | MD6289C | FA131X | FA131R | MXS131 | MD6253D | MD6253C |
| Pampera 125/250/370 | 96-97 | FA115X | FA115R | MXS115 | N/A | | FA115X | FA115R | MXS115 | N/A | |
| Pampera 125/250/280 | 04 | FA194 | FA194HH | | N/A | | FA291X | | | N/A | |
| Pampera 125/450 | 05-06 | FA194 | FA194HH | | N/A | | FA131X | FA131R | | MD6253D | MD6253C |
| SM 125/250 (2T) | 01-05 | FA95 | FA95HH | | N/A | | FA131X | | | MD6253D | MD6253C |
| TXT 125/200/249/280/321 | 00-03 | FA291X | | | N/A | | FA291X | | | N/A | |
| TXT 125/200/250/280/300 (TXT Pro) | 04-09 | FA303X | | | N/A | | FA351X | | | N/A | |
| TXT 250/280/300 Raga | 07-11 | FA303X | | | N/A | | FA351X | | | N/A | |
| MX 200/250/300 | 99-00 | FA181X | FA181R | MXS181 | N/A | | FA131X | FA131R | MXS131 | MD6253D | MD6253C |
| TX 200/270/320 | 98 | FA115X | FA115R | MXS115 | N/A | | FA115X | FA115R | MXS115 | N/A | |
| TXT 200/270/321 | 99 | FA291X | | | N/A | | FA291X | | | N/A | |
| Contact JT25 (238cc) | 93-94 | FA115X | FA115R | MXS115 | N/A | | FA115X | FA115R | MXS115 | N/A | |
| Pampera 250/320 | 98-99 | FA115X | FA115R | MXS115 | N/A | N/A | FA115X | FA115R | MXS115 | N/A | |
| Pampera 250 | 02-03 | FA194 | FA194HH | | N/A | | FA291X | | | N/A | |
| TXT 300 Raga | 07 | FA303X | | | N/A | | FA351X | | | N/A | |

▲ Supersport oversize disc conversion available for this disc - see page 335.

All part numbers, prefixes and suffixes shown in this catalog are unique and form a registered copyright as the property of EBC Brakes and its UK trademark owners

* symbol after part# = 2 pieces reqd.
i.e. 2 pad sets or 2 contour rotors

PAD/SHOE/ROTOR Applications for European DIRT Bikes

DIRT BIKES

GAS-GAS Contd.

| | Year | FRONT | | | | | | REAR | | | | |
|-----------------|----------|-----------------------|--------------------|---------------|--------------------|----------------|---------------|-----------------------|--------------------|----------------|--------------------|---------------|
| | | Brake PAD/Shoe Detail | | | Brake ROTOR Detail | | | Brake PAD/Shoe Detail | | | Brake ROTOR Detail | |
| | | SPORT CARBON | LONG LIFE SINTERED | RACE SINTERED | STANDARD ROTOR | OVERSIZE ROTOR | CONTOUR ROTOR | SPORT CARBON | LONG LIFE SINTERED | RACE SINTERED | STANDARD ROTOR | CONTOUR ROTOR |
| *X* PADS/SHOES | *R* PADS | *MXS* PADS | WITHOUT PADS | WITH BRACKET | See Tech Pages | *X* PADS/SHOES | *R* PADS | *MXS* PADS | WITHOUT PADS | See Tech Pages | | |
| SM 400 FSE (2T) | 01-02 | FA95 | FA95HH | | N/A | | FA131X | FA131R | MXS131 | MD6253D | MD6253C | |
| EC 450 | 09 | FA185X | FA185R | MXS185 | N/A | | FA131X | FA131R | MXS131 | N/A | | |
| FSE 450 | 05-08 | FA185X | FA185R | MXS185 | N/A | | FA131X | FA131R | MXS131 | N/A | | |
| SM 450 | 03-05 | FA95 | FA95HH | | N/A | | FA131X | FA131R | MXS131 | MD6253D | MD6253C | |
| EC 515 | 09 | FA185X | FA185R | MXS185 | | | FA131X | FA131R | MXS131 | TBA | | |

HUSABERG

| | | | | | | | | | | | | |
|--|-------|---------|-----------|--------|---------|----------|---------|--------|--------|---------|---------|---------|
| All models (central fixing pin in pad) | 89-92 | FA134X | FA134R | | N/A | | FA67X | FA67R | | N/A | | |
| All models (fixing pin at end of brake pad) | 93-94 | FA181X | FA181R | MXS181 | MD6125D | | FA67X | FA67R | | MD6126D | | |
| All models (fixing pin at end of brake pad) | 95-99 | FA181X | FA181R | MXS181 | MD6125D | | FA208X | FA208R | MXS208 | MD6126D | | |
| All MX/Enduro models (Brembo 2 piston caliper 260mm front disc) | 00-08 | FA181X | FA181R | MXS181 | MD6032D | OS6032C▲ | MD6032C | FA208X | FA208R | MXS208 | MD6035D | MD6035C |
| All supermotard models (Beringer 4 piston caliper central pin fixing 310mm front disc) | 00-03 | FA158 | FA158HH | | MD6270D | | MD6270C | FA208X | FA208R | MXS208 | MD6035D | MD6035C |
| FS Supermotard Models (Beringer/FTE 6 piston caliper 310mm front disc) | 04 | | | MXS406 | MD6270D | | MD6270C | FA208X | FA208R | MXS208 | MD6035D | MD6035C |
| FS Supermotard Models (FTE 4 piston radial caliper) | 05-08 | | | MXS405 | MD6270D | | MD6270C | FA208X | FA208R | MXS208 | MD6035D | MD6035C |
| FE 250 (2T) | 11 | FA181X | FA181R | MXS181 | | OS6032C▲ | MD6032C | FA368X | FA368R | MXS368 | | MD6035C |
| FE 300 (2T) | 11 | FA181X | FA181R | MXS181 | | OS6032C▲ | MD6032C | FA368X | FA368R | MXS368 | | MD6035C |
| FE 390 | 10-11 | FA181X | FA181R | MXS181 | | OS6032C▲ | MD6032C | FA368X | FA368R | MXS368 | | MD6035C |
| FE 450 | 09-11 | FA181X | FA181R | MXS181 | | OS6032C▲ | MD6032C | FA368X | FA368R | MXS368 | | MD6035C |
| FX 450 | 10-11 | FA181X | FA181R | MXS181 | | OS6032C▲ | MD6032C | FA368X | FA368R | MXS368 | | MD6035C |
| FE 570 | 09-11 | FA181X | FA181R | MXS181 | | OS6032C▲ | MD6032C | FA368X | FA368R | MXS368 | | MD6035C |
| FS 570 Supermoto | 10-11 | FA433/4 | FA433/4HH | | TBA | | | FA368X | FA368R | MXS368 | | MD6035C |

HUSQVARNA

| | | | | | | | | | | | | |
|-----------------------------|-------|--------|---------|--------|---------|----------|-----|--------|---------|--------|---------|-----|
| Husky Boy | 98-99 | | FA282R | | N/A | | | FA282R | | N/A | | |
| Husky Boy Racing S | 00 | 984 | | | | | | 984 | | | | |
| Husky Boy Drum Front & Rear | 00-02 | 984 | | | | | | 984 | | | | |
| Husky Boy Racing J | 00 | 984 | | | | | | 984 | | | | |
| Husky Boy J | 01-02 | FA115X | FA115R | MXS115 | N/A | | | 984 | | | | |
| Husky Boy R | 01 | FA115X | FA115R | MXS115 | N/A | | | 984 | | | | |
| Husky Boy S | 01-02 | FA115X | FA115R | MXS115 | N/A | | | 984 | | | | |
| CR 50 Junior | 05 | FA351X | | | N/A | | | TBA | | | | |
| CR 50 Junior Basic | 05 | TBA | | | | | | TBA | | | | |
| CR 50 Senior Pro | 05 | FA351X | | | N/A | | | FA325X | | | N/A | |
| CR 50 | 11 | FA325X | FA325R | | N/A | | | FA325X | FA325R | | N/A | |
| SM 50 | 02 | FA167 | FA167HH | | TBA | | | FA115 | FA115HH | | TBA | |
| SM 50 | 11 | FA325X | FA325R | | N/A | | | FA325X | FA325R | | N/A | |
| TE 50 Boy | 05 | TBA | | | | | | TBA | | | | |
| WR 50 | 02 | FA167 | FA167HH | | N/A | | | FA115 | FA115HH | | N/A | |
| WRS 50 Scooter | 98-00 | FA115 | FA115HH | | MD964D | | | 624 | | | | |
| TE 100 | 05 | FA351X | | | N/A | | | TBA | | | | |
| CR 125 | 73-77 | N/A | | | | | | N/A | | | | |
| CR 125 | 78 | | 801G | | | | | N/A | | | | |
| CR 125 | 79-81 | | 801G | | | | | | 801G | | | |
| CR 125 | 82-84 | | 803G | | | | | | 801G | | | |
| CR 125 | 85-86 | FA47X | FA47R | | N/A | | | | 802G | | | |
| CR 125 | 91 | FA134X | FA134R | | N/A | | | FA251 | | | MD6126D | |
| CR 125 | 92-94 | FA135X | FA135R | MXS135 | MD6125D | | | FA84X | FA84R | MXS84 | MD6126D | |
| CR 125 | 95-99 | FA181X | FA181R | MXS181 | MD6125D | OS6125C▲ | | FA208X | FA208R | MXS208 | MD6126D | |
| CR 125 | 00-01 | FA181X | FA181R | MXS181 | MD6184D | OS6184C▲ | | FA208X | FA208R | MXS208 | MD6287D | |
| CR 125 | 02-04 | FA181X | FA181R | MXS181 | MD6184D | OS6184C▲ | | FA208X | FA208R | MXS208 | MD6295D | |
| CR 125 | 05 | FA181X | FA181R | MXS181 | MD6184D | OS6184C▲ | | FA368X | FA368R | MXS368 | MD6295D | |
| CR 125 | 06-08 | FA181X | FA181R | MXS181 | MD6184D | OS6184C▲ | | FA368X | FA368R | MXS368 | MD6288D | |
| CR 125 | 09-10 | FA181X | FA181R | MXS181 | | | TBA | FA368X | FA368R | MXS368 | | TBA |
| SC 125 | 73-74 | N/A | | | | | | N/A | | | | |
| SM 125 | 98-99 | FA181X | FA181R | MXS181 | MD6125D | OS6125C▲ | | FA208X | FA208R | MXS208 | MD6126D | |

All part numbers, prefixes and suffixes shown in this catalog are unique and form a registered copyright as the property of EBC Brakes and its UK trademark owners

* symbol after part# = 2 pieces reqd.
i.e. 2 pad sets or 2 contour rotors

▲ Supermoto oversize disc conversion available for this disc - see page 335.

PAD/SHOE/ROTOR Applications for Japanese DIRT Bikes

DIRT BIKES

HUSQVARNA Contd.

| | | FRONT | | | | | REAR | | | | | |
|-----------------------|-------|-----------------------|--------------------|---------------|--------------------|----------------|-----------------------|----------------|--------------------|--------------------|----------------|----------------|
| | | Brake PAD/Shoe Detail | | | Brake ROTOR Detail | | Brake PAD/Shoe Detail | | | Brake ROTOR Detail | | |
| | | SPORT CARBON | LONG LIFE SINTERED | RACE SINTERED | STANDARD ROTOR | OVERSIZE ROTOR | CONTOUR ROTOR | SPORT CARBON | LONG LIFE SINTERED | RACE SINTERED | STANDARD ROTOR | CONTOUR ROTOR |
| | | *X* PADS/SHOES | *R* PADS | *MXS* PADS | WITHOUT PADS | WITH BRACKET | See Tech Pages | *X* PADS/SHOES | *R* PADS | *MXS* PADS | WITHOUT PADS | See Tech Pages |
| SM 125 | 00 | FA181X | FA181R | MXS181 | MD6184D | OS6184C▲ | | FA208X | FA208R | MXS208 | MD6287D | |
| SMS 125 (2T) | 02-11 | FA181X | FA181R | MXS181 | MD6184D | OS6184C▲ | | FA208X | FA208R | MXS208 | MD6287D | |
| SMS-4 125 (4T) | 10-11 | FA181X | FA181R | MXS181 | MD6184D | OS6184C▲ | | FA208X | FA208R | MXS208 | MD6287D | |
| TE 125 | 11 | FA181X | FA181R | MXS181 | | | TBA | FA368X | FA368R | MXS368 | | TBA |
| WR 125 | 73-74 | N/A | | | | | | N/A | | | | |
| WR 125 | 79 | | 801G | | | | | | 801G | | | |
| WR 125 | 80-81 | | 802G | | | | | | 802G | | | |
| WR 125 | 82-84 | | 803G | | | | | | 802G | | | |
| WR 125 | 87-88 | FA134X | FA134R | | N/A | | | | 802G | | | |
| WR 125 | 91 | FA134X | FA134R | | N/A | | | FA251 | | | MD6126D | |
| WR 125 | 93-94 | FA135X | FA135R | MXS135 | MD6125D | | | FA84X | FA84R | MXS84 | MD6126D | |
| WR 125 | 95-99 | FA181X | FA181R | MXS181 | MD6125D | OS6125C▲ | | FA208X | FA208R | MXS208 | MD6126D | |
| WR 125 | 00-01 | FA181X | FA181R | MXS181 | MD6184D | OS6184C▲ | | FA208X | FA208R | MXS208 | MD6287D | |
| WR 125 | 02-05 | FA181X | FA181R | MXS181 | MD6184D | OS6184C▲ | | FA208X | FA208R | MXS208 | MD6295D | |
| WR 125 | 06-08 | FA181X | FA181R | MXS181 | MD6184D | OS6184C▲ | | FA368X | FA368R | MXS368 | MD6288D | |
| WR 125 | 09-11 | FA181X | FA181R | MXS181 | | | TBA | FA368X | FA368R | MXS368 | | TBA |
| WRE 125 | 93-99 | FA181X | FA181R | MXS181 | MD6125D | OS6125C▲ | | FA208X | FA208R | MXS208 | MD6126D | |
| WRE 125 | 00 | FA181X | FA181R | MXS181 | MD6184D | OS6184C▲ | | FA208X | FA208R | MXS208 | MD6287D | |
| WRE 125 | 02-11 | FA181X | FA181R | MXS181 | MD6184D | OS6184C▲ | | FA208X | FA208R | MXS208 | MD6287D | |
| WXE 125 | 07 | FA167 | FA167HH | | MD6184D | OS6184C▲ | | FA131X | FA131R | MXS131 | TBA | |
| XC 125 | 82-84 | | 803G | | | | | | 802G | | | |
| XC 125 | 85-86 | FA47X | FA47R | | N/A | | | | 801G | | | |
| CR 240 | 80-81 | | 802G | | | | | | 801G | | | |
| CR 240 | 82-84 | | 803G | | | | | | 801G | | | |
| CR 240 | 85-86 | FA47X | FA47R | | N/A | | | | 802G | | | |
| CR 240 | 87-88 | FA134X | FA134R | | N/A | | | | 802G | | | |
| WR 240 | 78 | | 801G | | | | | | 801G | | | |
| WR 240 | 80-81 | | 802G | | | | | | 802G | | | |
| WR 240 | 82-84 | | 803G | | | | | | 802G | | | |
| WR 240 | 87-88 | FA134X | FA134R | | N/A | | | | 802G | | | |
| WR 240 | 90-91 | FA134X | FA134R | | N/A | | | FA251 | | | MD6126D | |
| CR 250 | 71-74 | N/A | | | | | | | 801G | | | |
| CR 250 | 75-79 | | 801G | | | | | | 801G | | | |
| CR 250 | 80-81 | | 802G | | | | | | 801G | | | |
| CR 250 | 82-84 | | 803G | | | | | | 801G | | | |
| CR 250 | 85-86 | FA47X | FA47R | | N/A | | | | 802G | | | |
| CR 250 | 87-88 | FA134X | FA134R | | N/A | | | | 802G | | | |
| CR 250 | 91 | FA134X | FA134R | | N/A | | | FA251 | | | MD6126D | |
| CR 250 | 92-94 | FA135X | FA135R | MXS135 | MD6125D | | | FA84X | FA84R | MXS84 | MD6126D | |
| CR 250 | 95-99 | FA181X | FA181R | MXS181 | MD6125D | OS6125C▲ | | FA208X | FA208R | MXS208 | MD6126D | |
| CR 250 | 00-01 | FA181X | FA181R | MXS181 | MD6184D | OS6184C▲ | | FA208X | FA208R | MXS208 | MD6287D | |
| CR 250 | 02-04 | FA181X | FA181R | MXS181 | MD6184D | OS6184C▲ | | FA208X | FA208R | MXS208 | MD6295D | |
| CR 250 | 05 | FA181X | FA181R | MXS181 | MD6184D | OS6184C▲ | | FA368X | FA368R | MXS368 | MD6295D | |
| CR 250 | 02-03 | FA181X | FA181R | MXS181 | MD6184D | OS6184C▲ | | FA208X | FA208R | MXS208 | MD6295D | |
| TC 250 | 05-08 | FA181X | FA181R | MXS181 | MD6184D | OS6184C▲ | | FA368X | FA368R | MXS368 | MD6288D | |
| TC 250 | 09-10 | FA181X | FA181R | MXS181 | | | TBA | FA368X | FA368R | MXS368 | | TBA |
| TE 250 | 02-05 | FA181X | FA181R | MXS181 | MD6184D | OS6184C▲ | | FA208X | FA208R | MXS208 | MD6295D | |
| TE 250 | 06-08 | FA181X | FA181R | MXS181 | MD6184D | OS6184C▲ | | FA368X | FA368R | MXS368 | MD6288D | |
| TE 250 | 09-10 | FA181X | FA181R | MXS181 | | | TBA | FA368X | FA368R | MXS368 | | TBA |
| TXC 250 Cross Country | 08 | FA181X | FA181R | MXS181 | MD6184D | OS6184C▲ | | FA368X | FA368R | MXS368 | MD6288D | |
| TXC 250 Cross Country | 09-11 | FA181X | FA181R | MXS181 | | | TBA | FA368X | FA368R | MXS368 | | TBA |
| WR 250 | 71-74 | N/A | | | | | | | 801G | | | |
| WR 250 | 75-78 | | 801G | | | | | | 801G | | | |
| WR 250 | 80-81 | | 802G | | | | | | 802G | | | |
| WR 250 | 82-84 | | 803G | | | | | | 802G | | | |
| WR 250 | 87-88 | FA134X | FA134R | | N/A | | | | 802G | | | |
| WR 250 | 90-91 | FA134X | FA134R | | N/A | | | FA251 | | | MD6126D | |
| WR 250 | 92-94 | FA135X | FA135R | MXS135 | MD6125D | | | FA84X | FA84R | MXS84 | MD6126D | |

▲ Supernoto oversize disc conversion available for this disc - see page 335.

All part numbers, prefixes and suffixes shown in this catalog are unique and form a registered copyright as the property of EBC Brakes and its UK trademark owners

* symbol after part# = 2 pieces reqd.
i.e. 2 pad sets or 2 contour rotors

PAD/SHOE/ROTOR Applications for Japanese DIRT Bikes

DIRT BIKES

HUSQVARNA Contd.

| | Year | FRONT | | | | | | REAR | | | | |
|-----------------------------|----------|-----------------------|--------------------|---------------|--------------------|----------------|---------------|-----------------------|--------------------|----------------|--------------------|---------------|
| | | Brake PAD/Shoe Detail | | | Brake ROTOR Detail | | | Brake PAD/Shoe Detail | | | Brake ROTOR Detail | |
| | | SPORT CARBON | LONG LIFE SINTERED | RACE SINTERED | STANDARD ROTOR | OVERSIZE ROTOR | CONTOUR ROTOR | SPORT CARBON | LONG LIFE SINTERED | RACE SINTERED | STANDARD ROTOR | CONTOUR ROTOR |
| *X* PADS/SHOES | *R* PADS | *MXS* PADS | WITHOUT PADS | WITH BRACKET | See Tech Pages | *X* PADS/SHOES | *R* PADS | *MXS* PADS | WITHOUT PADS | See Tech Pages | | |
| WR 250 | 95-99 | FA181X | FA181R | MXS181 | MD6125D | OS6125C▲ | | FA208X | FA208R | MXS208 | MD6126D | |
| WR 250 | 00-01 | FA181X | FA181R | MXS181 | MD6184D | OS6184C▲ | | FA208X | FA208R | MXS208 | MD6287D | |
| WR 250 | 02-05 | FA181X | FA181R | MXS181 | MD6184D | OS6184C▲ | | FA208X | FA208R | MXS208 | MD6295D | |
| WR 250 | 06-09 | FA181X | FA181R | MXS181 | MD6184D | OS6184C▲ | | FA368X | FA368R | MXS368 | MD6288D | |
| WR 250 | 09-10 | FA181X | FA181R | MXS181 | | | TBA | FA368X | FA368R | MXS368 | | TBA |
| XC 250 | 80-81 | | 802G | | | | | 802G | | | | |
| XC 250 | 82-84 | | 803G | | | | | 802G | | | | |
| XC 250 | 85-86 | FA47X | FA47R | | N/A | | | 801G | | | | |
| XC 250 | 87-88 | FA134X | FA134R | | N/A | | | 802G | | | | |
| WR 260 | 90-91 | FA134X | FA134R | | N/A | | | FA251 | | | MD6126D | |
| WR 300 | 09-10 | FA181X | FA181R | MXS181 | | | TBA | FA368X | FA368R | MXS368 | | TBA |
| TE 310 (4T) | 09 | FA181X | FA181R | MXS181 | MD6184D | OS6184C▲ | | FA368X | FA368R | MXS368 | MD6288D | |
| TE 350 | 90-91 | FA134X | FA134R | | N/A | | | FA251 | | | MD6126D | |
| TE 350 | 92-94 | FA135X | FA135R | MXS135 | MD6125D | | | FA84X | FA84R | MXS84 | MD6126D | |
| TE 350 | 95-97 | FA181X | FA181R | MXS181 | MD6125D | OS6125C▲ | | FA208X | FA208R | MXS208 | MD6126D | |
| 360 Automatic | 75-77 | N/A | | | | | | 801G | | | | |
| CR 360 | 75-78 | | 801G | | | | | 801G | | | | |
| CR 360 | 92-94 | FA135X | FA135R | MXS135 | MD6125D | | | FA84X | FA84R | MXS84 | MD6126D | |
| WR 360 | 75-78 | | 801G | | | | | 801G | | | | |
| WR 360 | 92-94 | FA135X | FA135R | MXS135 | MD6125D | | | FA84X | FA84R | MXS84 | MD6126D | |
| WR 360 | 95-99 | FA181X | FA181R | MXS181 | MD6125D | OS6125C▲ | | FA208X | FA208R | MXS208 | MD6126D | |
| WR 360 | 00-01 | FA181X | FA181R | MXS181 | MD6184D | OS6184C▲ | | FA208X | FA208R | MXS208 | MD6287D | |
| WR 360 | 02 | FA181X | FA181R | MXS181 | MD6184D | OS6184C▲ | | FA208X | FA208R | MXS208 | MD6295D | |
| ACC 390 | 80-81 | | 801G | | | | | 801G | | | | |
| ACCE 390 | 80-81 | | 801G | | | | | 801G | | | | |
| CR 390 | 75-79 | | 801G | | | | | 801G | | | | |
| CR 390 | 80-81 | | 801G | | | | | 801G | | | | |
| CR 390 Automatic | 78 | | 801G | | | | | 801G | | | | |
| WR 390 | 78 | | 801G | | | | | 801G | | | | |
| CR 400 | 71-74 | | 801G | | | | | 801G | | | | |
| SM 400 R | 02 | FA95 | FA95HH | | MD6293D | | | FA208X | FA208R | MXS208 | MD6295D | |
| TE 400 | 02 | FA181X | FA181R | MXS181 | MD6184D | OS6184C▲ | | FA208X | FA208R | MXS208 | MD6295D | |
| WR 400 | 75-78 | | 801G | | | | | 801G | | | | |
| WR 400 | 87-88 | FA134X | FA134R | | N/A | | | 802G | | | | |
| TE 410 | 95-99 | FA181X | FA181R | MXS181 | MD6125D | OS6125C▲ | | FA208X | FA208R | MXS208 | MD6126D | |
| TE 410 | 00 | FA181X | FA181R | MXS181 | MD6184D | OS6184C▲ | | FA208X | FA208R | MXS208 | MD6287D | |
| TE 410 | 06 | FA181X | FA181R | MXS181 | MD6184D | OS6184C▲ | | FA368X | FA368R | MXS368 | MD6288D | |
| TE 410 E | 00 | FA181X | FA181R | MXS181 | MD6184D | OS6184C▲ | | FA208X | FA208R | MXS208 | MD6126D | |
| 430 Automatic | 87-88 | FA134X | FA134R | | N/A | | | 802G | | | | |
| CR 430 | 80-81 | | 802G | | | | | 801G | | | | |
| CR 430 | 87-88 | FA134X | FA134R | | N/A | | | 802G | | | | |
| WR 430 | 80-81 | | 802G | | | | | 802G | | | | |
| WR 430 | 87-88 | FA134X | FA134R | | N/A | | | 802G | | | | |
| WR-E 430 | 80-81 | | 802G | | | | | 802G | | | | |
| WR-E 430 | 82-84 | | 803G | | | | | 802G | | | | |
| WRU 430 | 82-84 | | 803G | | | | | 802G | | | | |
| XC 430 | 80-81 | | 802G | | | | | 802G | | | | |
| XC 430 | 87-88 | FA134X | FA134R | | N/A | | | 802G | | | | |
| CR 450 | 71-74 | | 801G | | | | | 801G | | | | |
| SM 450 R | 03-06 | FA95 | FA95HH | | MD6293D | | | FA208X | FA208R | MXS208 | MD6295D | |
| SMR 450 RR (Radial caliper) | 06-08 | | FA322/4HH | | MD6293D | | | FA368X | FA368R | MXS368 | MD6288D | |
| SM 450 R (Radial caliper) | 07-10 | | FA322/4HH | | MD6293D | | | FA368X | FA368R | MXS368 | MD6288D | |
| TC 449 (4T) | 11 | FA181X | FA181R | MXS181 | | | TBA | FA368X | FA368R | MXS368 | | TBA |
| TC 450 | 03 | FA181X | FA181R | MXS181 | MD6184D | OS6184C▲ | | FA208X | FA208R | MXS208 | MD6295D | |
| TC 450 | 05-08 | FA181X | FA181R | MXS181 | MD6184D | OS6184C▲ | | FA368X | FA368R | MXS368 | MD6288D | |
| TC 450 | 09-10 | FA181X | FA181R | MXS181 | | | TBA | FA368X | FA368R | MXS368 | | TBA |
| TE 449 (4T) | 11 | FA181X | FA181R | MXS181 | | | TBA | FA368X | FA368R | MXS368 | | TBA |
| TE 450 | 03-05 | FA181X | FA181R | MXS181 | MD6184D | OS6184C▲ | | FA208X | FA208R | MXS208 | MD6295D | |

All part numbers, prefixes and suffixes shown in this catalog are unique and form a registered copyright as the property of EBC Brakes and its UK trademark owners

* symbol after part# = 2 pieces reqd.
i.e. 2 pad sets or 2 contour rotors

BRAKE APPLICATIONS

▲ Supermoto oversize disc conversion available for this disc - see page 335.

PAD/SHOE/ROTOR Applications for European DIRT Bikes

DIRT BIKES

HUSQVARNA Contd.

| | Year | FRONT | | | | | | REAR | | | | |
|------------------------------|----------|-----------------------|--------------------|---------------|--------------------|----------------|---------------|-----------------------|--------------------|----------------|--------------------|---------------|
| | | Brake PAD/Shoe Detail | | | Brake ROTOR Detail | | | Brake PAD/Shoe Detail | | | Brake ROTOR Detail | |
| | | SPORT CARBON | LONG LIFE SINTERED | RACE SINTERED | STANDARD ROTOR | OVERSIZE ROTOR | CONTOUR ROTOR | SPORT CARBON | LONG LIFE SINTERED | RACE SINTERED | STANDARD ROTOR | CONTOUR ROTOR |
| "X" PADS/SHOES | "R" PADS | "MXS" PADS | WITHOUT PADS | WITH BRACKET | See Tech Pages | "X" PADS/SHOES | "R" PADS | "MXS" PADS | WITHOUT PADS | See Tech Pages | | |
| TE 450 | 06-08 | FA181X | FA181R | MXS181 | MD6184D | OS6184C▲ | FA368X | FA368R | MXS368 | MD6288D | | |
| TE 450 | 10 | FA181X | FA181R | MXS181 | | TBA | FA368X | FA368R | MXS368 | | TBA | |
| TXC 450 Cross Country | 08 | FA181X | FA181R | MXS181 | MD6184D | OS6184C▲ | FA368X | FA368R | MXS368 | MD6288D | | |
| TXC 450 Cross Country | 09-11 | FA181X | FA181R | MXS181 | | TBA | FA368X | FA368R | MXS368 | | TBA | |
| WR 450 | 71-72 | | 801G | | | | | 801G | | | | |
| AE 500 | 82-84 | | 803G | | | | | 802G | | | | |
| CR 500 | 82-84 | | 803G | | | | | 801G | | | | |
| CR 500 | 85-86 | FA47X | FA47R | | N/A | | | 802G | | | | |
| CR 500 | 87-88 | FA134X | FA134R | | N/A | | | 802G | | | | |
| XC 500 | 82-84 | | 803G | | | | | 802G | | | | |
| XC 500 | 85-86 | FA47X | FA47R | | N/A | | | 801G | | | | |
| XC 500 | 87-88 | FA134X | FA134R | | N/A | | | 802G | | | | |
| SM 510 R | 05 | FA95 | FA95HH | | MD6293D | | FA208X | FA208R | MXS208 | MD6295D | | |
| SM 510 R (Radial caliper) | 06-10 | | FA322/4HH | | MD6293D | | FA368X | FA368R | MXS368 | MD6288D | | |
| TC 510 | 87-88 | FA47X | FA47R | | N/A | | | 801G | | | | |
| TC 510 | 89- | FA134X | FA134R | | N/A | | | 801G | | | | |
| TC 510 | 90 | FA134X | FA134R | | N/A | | FA251 | | | MD6126D | | |
| TC 510 | 04 | FA181X | FA181R | MXS181 | MD6184D | OS6184C▲ | FA208X | FA208R | MXS208 | MD6295D | | |
| TC 510 | 05-09 | FA181X | FA181R | MXS181 | MD6184D | OS6184C▲ | FA368X | FA368R | MXS368 | MD6288D | | |
| TE 510 | 87-88 | FA47X | FA47R | | N/A | | | 801G | | | | |
| TE 510 | 89 | FA134X | FA134R | | N/A | | | 801G | | | | |
| TE 510 | 90 | FA134X | FA134R | | N/A | | FA251 | | | MD6126D | | |
| TE 510 | 04-05 | FA181X | FA181R | MXS181 | MD6184D | OS6184C▲ | FA208X | FA208R | MXS208 | MD6295D | | |
| TE 510 | 06-08 | FA181X | FA181R | MXS181 | MD6184D | OS6184C▲ | FA368X | FA368R | MXS368 | MD6288D | | |
| TE 510 | 09-10 | FA181X | FA181R | MXS181 | | TBA | FA368X | FA368R | MXS368 | | TBA | |
| TE 511 | 11 | FA181X | FA181R | MXS181 | | TBA | FA368X | FA368R | MXS368 | | TBA | |
| TX 510 | 87-88 | FA47X | FA47R | | N/A | | | 801G | | | | |
| TXC 510 Cross Country | 08 | FA181X | FA181R | MXS181 | MD6184D | OS6184C▲ | FA368X | FA368R | MXS368 | MD6288D | | |
| TXC 510 Cross Country | 09-11 | FA181X | FA181R | MXS181 | | TBA | FA368X | FA368R | MXS368 | | TBA | |
| WMX 510 | 89 | FA134X | FA134R | | N/A | | | 801G | | | | |
| WXE 510 | 89 | FA134X | FA134R | | N/A | | | 801G | | | | |
| SM 570 R (4 bolt front disc) | 01- | FA95 | FA95HH | | MD6293D | | FA208X | FA208R | MXS208 | MD6287D | | |
| SM 570 R | 02-04 | FA95 | FA95HH | | MD6293D | | FA208X | FA208R | MXS208 | MD6295D | | |
| TC 570 | 02-03 | FA181X | FA181R | MXS181 | MD6184D | OS6184C▲ | FA208X | FA208R | MXS208 | MD6295D | | |
| TE 570 | 01 | FA181X | FA181R | MXS181 | MD6184D | OS6184C▲ | FA208X | FA208R | MXS208 | MD6287D | | |
| TE 570 | 02-04 | FA181X | FA181R | MXS181 | MD6184D | OS6184C▲ | FA208X | FA208R | MXS208 | MD6287D | | |
| LT 610 (6 bolt front disc) | 00 | FA244 | FA244HH | | MD6294D | | FA208X | FA208R | MXS208 | MD6295D | | |
| SM 610 (6 bolt front disc) | 98-99 | FA244 | FA244HH | | MD6294D | | FA208X | FA208R | MXS208 | MD6126D | | |
| SM 610 R | 00 | FA244 | FA244HH | | MD6184D | OS6184C▲ | FA208X | FA208R | MXS208 | MD6287D | | |
| SM 610/S (4 bolt front disc) | 02-06 | FA244 | FA244HH | | MD6293D | | FA208X | FA208R | MXS208 | MD6287D | | |
| SM 610 S (Radial caliper) | 06 | | FA322/4HH | | MD6293D | | FA208X | FA208R | MXS208 | MD6288D | | |
| SM 610 IE | 07-09 | | FA322/4HH | | MD6293D | | FA208X | FA208R | MXS208 | MD6295D | | |
| TC 610 | 91 | FA134X | FA134R | | N/A | | FA251 | | | MD6126D | | |
| TC 610 | 92-94 | FA135X | FA135R | MXS135 | MD6125D | | FA84X | FA84R | MXS84 | MD6126D | | |
| TC 610/E | 95-99 | FA181X | FA181R | MXS181 | MD6125D | OS6125C▲ | FA208X | FA208R | MXS208 | MD6126D | | |
| TC 610 | 00 | FA181X | FA181R | MXS181 | MD6184D | OS6184C▲ | FA208X | FA208R | MXS208 | MD6287D | | |
| TE 610 | 91 | FA134X | FA134R | | N/A | | FA251 | | | MD6126D | | |
| TE 610 | 92-94 | FA135X | FA135R | MXS135 | MD6125D | | FA84X | FA84R | MXS84 | MD6126D | | |
| TE 610 | 00 | FA181X | FA181R | MXS181 | MD6184D | OS6184C▲ | FA208X | FA208R | MXS208 | MD6287D | | |
| TE 610/E | 95-99 | FA181X | FA181R | MXS181 | MD6125D | OS6125C▲ | FA208X | FA208R | MXS208 | MD6126D | | |
| TE 610 E | 00 | FA181X | FA181R | MXS181 | MD6184D | OS6184C▲ | FA208X | FA208R | MXS208 | MD6126D | | |
| TE 610 E | 02-03 | FA181X | FA181R | MXS181 | MD6184D | OS6184C▲ | FA208X | FA208R | MXS208 | MD6287D | | |
| TE 610/E | 06-09 | FA181X | FA181R | MXS181 | MD6184D | OS6184C▲ | FA208X | FA208R | MXS208 | MD6287D | | |
| SM 630 | 09-10 | | FA322/4HH | | MD6293D | | FA208X | FA208R | MXS208 | MD6295D | | |
| SMR 630 | 06 | FA95 | FA95HH | | MD6293D | | FA208X | FA208R | MXS208 | MD6295D | | |
| SMS 630 | 10-11 | | FA322/4HH | | MD6293D | | FA208X | FA208R | MXS208 | MD6295D | | |
| TE 630 | 10 | FA181X | FA181R | MXS181 | MD6184D | OS6184C▲ | FA208X | FA208R | MXS208 | MD6295D | | |
| STR 650 CRC | 07 | | FA322/4HH | | MD6293D | | FA208X | FA208R | MXS208 | MD6295D | | |

▲ Supermoto oversize disc conversion available for this disc - see page 335.

All part numbers, prefixes and suffixes shown in this catalog are unique and form a registered copyright as the property of EBC Brakes and its UK trademark owners

* symbol after part# = 2 pieces reqd. i.e. 2 pad sets or 2 contour rotors

PAD/SHOE/ROTOR Applications for European DIRT Bikes

DIRT BIKES

HYOSUNG

| | | FRONT | | | | | | REAR | | | | |
|--|----------------|-----------------------|--------------------|---------------|--------------------|----------------|----------------|-----------------------|--------------------|---------------|--------------------|---------------|
| | | Brake PAD/Shoe Detail | | | Brake ROTOR Detail | | | Brake PAD/Shoe Detail | | | Brake ROTOR Detail | |
| | | SPORT CARBON | LONG LIFE SINTERED | RACE SINTERED | STANDARD ROTOR | OVERSIZE ROTOR | CONTOUR ROTOR | SPORT CARBON | LONG LIFE SINTERED | RACE SINTERED | STANDARD ROTOR | CONTOUR ROTOR |
| Year | *X* PADS/SHOES | *R* PADS | *MXS* PADS | WITHOUT PADS | WITH BRACKET | See Tech Pages | *X* PADS/SHOES | *R* PADS | *MXS* PADS | WITHOUT PADS | See Tech Pages | |
| RX 125 | 06-08 | FA86 | FA86HH | | N/A | | 602 | | | | | |
| KTM | | | | | | | | | | | | |
| 50 SX/SXR Pro Junior/Senior/Adventure | 96-03 | 322 | | | | | 322 | | | | | |
| 50 SX Mini Adventure | 04-07 | 322 | | | | | 322 | | | | | |
| 50 SX Pro Senior LC | 02-03 | FA325X | FA325R | | N/A | | 322 | | | | | |
| 50 SX Pro Senior LC/Mini Senior Adventure | 02-07 | FA325X | FA325R | | N/A | | 322 | | | | | |
| 50 SX Pro Senior LC (F 12" / R 10" wheels) | 04-11 | FA325X | FA325R | | | N/A | FA325X | FA325R | | | N/A | |
| 50 Supermoto | 06 | FA325X | FA325R | | N/A | | FA325X | FA325R | | N/A | | |
| SX 50 Junior LC | 07-09 | FA325X | FA325R | | N/A | | 322 | | | | | |
| SX 50 Mini (F & R 10" wheels) | 09-11 | FA325X | FA325R | | | N/A | FA325X | FA325R | | | N/A | |
| 60 SX | 98-99 | FA115X | FA115R | MXS115 | MD6192D | MD6192C | 815 | | | | | |
| 60 SX | 00 | FA115X | FA115R | MXS115 | MD6192D | MD6192C | FA337X | FA337R | | MD6216D | | |
| 65 SX | 00-01 | FA115X | FA115R | MXS115 | MD6192D | MD6192C | FA337X | FA337R | | MD6216D | | |
| 65 SX | 02-03 | FA357X | FA357R | | MD6192D | MD6192C | FA337X | FA337R | | MD6216D | | |
| 65 SX | 04-08 | FA357X | FA357R | | | MD6243C | FA325X | FA325R | | | MD6249C | |
| 65 SX | 09-11 | FA357X | FA357R | | | MD6243C | FA357X | FA357R | | | MD6249C | |
| XC 65 | 08 | FA357X | FA357R | | | MD6243C | FA325X | FA325R | | | MD6249C | |
| XC 65 | 09-10 | FA357X | FA357R | | | MD6243C | FA357X | FA357R | | | MD6249C | |
| 80 MX | 86-92 | FA47/2X | | | N/A | | 814G | | | | | |
| 85 SX (17"/14" Wheels) | 03-10 | FA357X | FA357R | | OS6258C | MD6258C | FA357X | FA357R | | | MD6257C | |
| 85 SX (19"/16" Wheels) | 03-10 | FA357X | FA357R | | OS6258C | MD6258C | FA357X | FA357R | | | MD6257C | |
| 85 SX (17"/14" Wheels) | 11 | FA357X | FA357R | | OS6258C | MD6258C | FA602X | FA602R | | | MD6360C | |
| 85 SX (19"/16" Wheels) | 11 | FA357X | FA357R | | OS6258C | MD6258C | FA602X | FA602R | | | MD6360C | |
| XC 85 | 08-09 | FA357X | FA357R | | OS6258C | MD6258C | FA357X | FA357R | | | MD6257C | |
| SX 105 | 07-11 | FA357X | FA357R | | OS6258C | MD6258C | FA357X | FA357R | | | MD6257C | |
| XC 105 | 08-09 | FA357X | FA357R | | OS6258C | MD6258C | FA357X | FA357R | | | MD6257C | |
| D-XC/E-XC/E-GS 125 | 90-91 | FA67X | FA67R | | MD6034D | | FA67X | FA67R | | N/A | | |
| D-XC/E-XC/E-GS 125 Grimeca Calipers | 90-91 | FA132X | FA132R | | MD6034D | | FA132X | FA132R | | N/A | | |
| D-XC/E-XC/E-GS 125 Brembo Calipers | 92-93 | FA181X | FA181R | MXS181 | MD6034D | | FA67X | FA67R | | N/A | | |
| D-XC/E-XC/E-GS 125 Grimeca Calipers | 92-93 | FA132X | FA132R | | MD6034D | | FA67X | FA67R | | N/A | | |
| EXC 125 | 87 | FA126X | FA126R | | N/A | | FA126X | FA126R | | N/A | | |
| EXC 125 | 88 | FA132X | FA132R | | N/A | | FA132X | FA132R | | MD6227D | | |
| EXC 125 Brembo Calipers | 89 | FA67X | FA67R | | MD6034D | | FA67X | FA67R | | MD6227D | | |
| EXC 125 Grimeca Calipers | 89 | FA132X | FA132R | | MD6034D | | FA132X | FA132R | | MD6227D | | |
| EXC/EGS 125 (Standard forks) | 94 | FA181X | FA181R | MXS181 | MD6032D | OS6032C▲ | MD6032C | FA208X | FA208R | MXS208 | MD6035D | |
| EXC 125 (Standard forks) | 95-99 | FA181X | FA181R | MXS181 | MD6032D | OS6032C▲ | MD6032C | FA208X | FA208R | MXS208 | MD6035D | |
| EXC 125 (Upside down forks) | 00-03 | FA181X | FA181R | MXS181 | MD6032D | OS6032C▲ | MD6032C | FA208X | FA208R | MXS208 | MD6035D | |
| EXC 125 (Upside down forks) | 04-07 | FA181X | FA181R | MXS181 | MD6032D | OS6032C▲ | MD6032C | FA368X | FA368R | MXS368 | MD6035D | |
| EXE 125 | 00 | FA181X | FA181R | MXS181 | MD6032D | OS6032C▲ | MD6032C | FA208X | FA208R | MXS208 | MD6035D | |
| GSXC/GS 125 | 85 | FA47X | FA47R | | N/A | | 814G | | | | | |
| LC2 125 | 96-98 | FA181X | FA181R | MXS181 | N/A | | FA208X | FA208R | MXS208 | N/A | | |
| Sting 125 | 97-99 | FA95 | FA95HH | | N/A | | FA208X | FA208R | | N/A | | |
| MX 125 | 83 | | 811G | | | | 812G | | | | | |
| MX 125 | 84 | | 814G | | | | 814G | | | | | |
| MX/MXC 125 | 85 | FA47X | FA47R | | N/A | | 814G | | | | | |
| MX/MXC/GS 125 | 86 | FA47X | FA47R | | N/A | | FA47X | FA47R | | MD6227D | | |
| MX 125 | 87 | FA126X | FA126R | | N/A | | FA126X | FA126R | | N/A | | |
| MX 125 | 88 | FA132X | FA132R | | N/A | | FA132X | FA132R | | MD6227D | | |
| MX 125 Brembo Calipers | 89 | FA67X | FA67R | | N/A | | FA67X | FA67R | | MD6227D | | |
| MX 125 Grimeca Calipers | 89 | FA132X | FA132R | | N/A | | FA132X | FA132R | | MD6227D | | |
| MX 125 Brembo Calipers | 90-91 | FA67X | FA67R | | N/A | | FA67X | FA67R | | N/A | | |
| MX 125 Grimeca Calipers | 90-91 | FA132X | FA132R | | N/A | | FA132X | FA132R | | N/A | | |
| MX 125 Brembo Calipers | 92-93 | FA181X | FA181R | MXS181 | MD6032D | OS6032C▲ | MD6032C | FA67X | FA67R | | N/A | |
| MX 125 Grimeca Calipers | 92-93 | FA132X | FA132R | | MD6032D | OS6032C▲ | MD6032C | FA67X | FA67R | | N/A | |
| SM 125 Supermoto | 00 | FA181X | FA181R | MXS181 | TBA | | FA208X | FA208R | MXS208 | MD6035D | MD6035C | |
| SX 125 (Standard forks) | 94-99 | FA181X | FA181R | MXS181 | MD6032D | OS6032C▲ | MD6032C | FA208X | FA208R | MXS208 | MD6035D | |
| SX 125 (Upside down forks) | 00-03 | FA181X | FA181R | MXS181 | MD6032D | OS6032C▲ | MD6032C | FA208X | FA208R | MXS208 | MD6035D | |

All part numbers, prefixes and suffixes shown in this catalog are unique and form a registered copyright as the property of EBC Brakes and its UK trademark owners

* symbol after part# = 2 pieces reqd.
i.e. 2 pad sets or 2 contour rotors

PAD/SHOE/ROTOR Applications for European DIRT Bikes

APPLICATIONS

BRAKE

DIRT BIKES

KTM Contd.

| | Year | FRONT | | | | | | REAR | | | | |
|--|----------|-----------------------|--------------------|---------------|--------------------|----------------|---------------|-----------------------|--------------------|----------------|--------------------|---------------|
| | | Brake PAD/Shoe Detail | | | Brake ROTOR Detail | | | Brake PAD/Shoe Detail | | | Brake ROTOR Detail | |
| | | SPORT CARBON | LONG LIFE SINTERED | RACE SINTERED | STANDARD ROTOR | OVERSIZE ROTOR | CONTOUR ROTOR | SPORT CARBON | LONG LIFE SINTERED | RACE SINTERED | STANDARD ROTOR | CONTOUR ROTOR |
| *X* PADS/SHOES | *R* PADS | *MXS* PADS | WITHOUT PADS | WITH BRACKET | See Tech Pages | *X* PADS/SHOES | *R* PADS | *MXS* PADS | WITHOUT PADS | See Tech Pages | | |
| SX 125 (Upside down forks) | 04-08 | FA181X | FA181R | MXS181 | MD6032D | OS6032C▲ | MD6032C | FA368X | FA368R | MXS368 | MD6035D | MD6035C |
| SX 125 (Upside down forks) | 09-10 | FA181X | FA181R | MXS181 | | OS6932C▲ | MD6032C | FA368X | FA368R | MXS368 | | MD6035C |
| SX 150 | 08 | FA181X | FA181R | MXS181 | MD6032D | OS6032C▲ | MD6032C | FA368X | FA368R | MXS368 | MD6035D | MD6035C |
| SX 150 | 09-11 | FA181X | FA181R | MXS181 | | OS6932C▲ | MD6032C | FA368X | FA368R | MXS368 | | MD6035C |
| XC 150 | 10 | FA181X | FA181R | MXS181 | MD6032D | OS6932C▲ | MD6032C | FA368X | FA368R | MXS368 | MD6035D | MD6035C |
| EXC/EGS 200 (Standard forks) | 98-99 | FA181X | FA181R | MXS181 | MD6032D | OS6032C▲ | MD6032C | FA208X | FA208R | MXS208 | MD6035D | MD6035C |
| EXC/EGS 200 (Upside down forks) | 00-03 | FA181X | FA181R | MXS181 | MD6032D | OS6032C▲ | MD6032C | FA208X | FA208R | MXS208 | MD6035D | MD6035C |
| XC/EXC 200 (Upside down forks) | 04-08 | FA181X | FA181R | MXS181 | MD6032D | OS6032C▲ | MD6032C | FA368X | FA368R | MXS368 | MD6035D | MD6035C |
| XC-W 200 | 07-09 | FA181X | FA181R | MXS181 | MD6032D | OS6032C▲ | MD6032C | FA368X | FA368R | MXS368 | MD6035D | MD6035C |
| XC-W 200 | 10 | FA181X | FA181R | MXS181 | MD6032D | OS6932C▲ | MD6032C | FA368X | FA368R | MXS368 | MD6035D | MD6035C |
| XC 200 | 06-09 | FA181X | FA181R | MXS181 | MD6032D | OS6032C▲ | MD6032C | FA368X | FA368R | MXS368 | MD6035D | MD6035C |
| DXC/EXC 250 Grimeca Calipers | 90 | FA132X | FA132R | | MD6034D | | | FA132X | FA132R | | N/A | |
| D-XC/E-XC/E-GS 250 Brembo Calipers | 91 | FA67X | FA67R | | MD6034D | | | FA67X | FA67R | | N/A | |
| D-XC/E-XC/E-GS 250 | 91 | FA132X | FA132R | | MD6034D | | | FA132X | FA132R | | N/A | |
| D-XC/E-XC/T-XC/E-GS 250 (Grimeca calipers) | 92-93 | FA132X | FA132R | | MD6032D | OS6032C▲ | MD6032C | FA67X | FA67R | | N/A | |
| EXC/EGS 250 | 88 | FA132X | FA132R | | N/A | | | FA132X | FA132R | | MD6227D | |
| EXC/EGS 250 Brembo Calipers | 89 | FA67X | FA67R | | MD6034D | | | FA67X | FA67R | | MD6227D | |
| EXC/EGS 250 Grimeca Calipers | 89 | FA132X | FA132R | | MD6034D | | | FA132X | FA132R | | MD6227D | |
| EXC/EGS 250 (Standard forks) | 94 | FA181X | FA181R | MXS181 | MD6032D | OS6032C▲ | MD6032C | FA208X | FA208R | MXS208 | MD6035D | MD6035C |
| EXC 250 (Standard forks) | 95-99 | FA181X | FA181R | MXS181 | MD6032D | OS6032C▲ | MD6032C | FA208X | FA208R | MXS208 | MD6035D | MD6035C |
| EXC 250 (Upside down forks) | 00-03 | FA181X | FA181R | MXS181 | MD6032D | OS6032C▲ | MD6032C | FA208X | FA208R | MXS208 | MD6035D | MD6035C |
| XC/EXC 250 (Upside down forks) | 04-07 | FA181X | FA181R | MXS181 | MD6032D | OS6032C▲ | MD6032C | FA368X | FA368R | MXS368 | MD6035D | MD6035C |
| EXC-F 250 | 06-07 | FA181X | FA181R | MXS181 | MD6032D | OS6032C▲ | MD6032C | FA368X | FA368R | MXS368 | MD6035D | MD6035C |
| GS 250 | 86 | FA47X | FA47R | | N/A | | | FA47X | FA47R | | MD6227D | |
| GSXC/GS 250 | 85 | FA47X | FA47R | | N/A | | | | 814G | | | |
| MX 250 | 88 | FA132X | FA132R | | N/A | | | FA132X | FA132R | | MD6227D | |
| MX 250 Grimeca Calipers | 89 | FA132X | FA132R | | N/A | | | FA132X | FA132R | | MD6227D | |
| MX 250 Brembo Calipers | 89 | FA67X | FA67R | | N/A | | | FA67X | FA67R | | MD6227D | |
| MX 250 Brembo Calipers | 90 | FA67X | FA67R | | N/A | | | FA67X | FA67R | | N/A | |
| MX 250 Brembo Calipers | 91 | FA67X | FA67R | | N/A | | | FA67X | FA67R | | N/A | |
| MX 250 Grimeca Calipers | 91 | FA132X | FA132R | | N/A | | | FA132X | FA132R | | N/A | |
| MX 250 Brembo Calipers | 92-93 | FA181X | FA181R | MXS181 | MD6032D | OS6032C▲ | MD6032C | FA67X | FA67R | | N/A | |
| MX/EXC 250 | 87 | FA126X | FA126R | | N/A | | | FA126 | FA126R | | N/A | |
| MX/MXC/GS 250 | 84 | | 814G | | | | | | 814G | | | |
| MX/MXC 250 | 85 | FA47X | FA47R | | N/A | | | | 814G | | | |
| MX/MXC 250 | 86 | FA47X | FA47R | | N/A | | | FA47X | FA47R | | MD6227D | |
| SX 250 (Standard Forks) | 94-99 | FA181X | FA181R | MXS181 | MD6032D | OS6032C▲ | MD6032C | FA208X | FA208R | MXS208 | MD6035D | MD6035C |
| SX 250 (Upside down forks) | 00-02 | FA181X | FA181R | MXS181 | MD6032D | OS6032C▲ | MD6032C | FA208X | FA208R | MXS208 | MD6035D | MD6035C |
| SX 250 (Upside down forks) | 03-08 | FA181X | FA181R | MXS181 | MD6032D | OS6032C▲ | MD6032C | FA368X | FA368R | MXS368 | MD6035D | MD6035C |
| SX 250 (2T) (Upside down forks) | 09-10 | FA181X | FA181R | MXS181 | | OS6932C▲ | MD6032C | FA368X | FA368R | MXS368 | | MD6035C |
| SX-F 250 | 05-08 | FA181X | FA181R | MXS181 | MD6032D | OS6032C▲ | MD6032C | FA368X | FA368R | MXS368 | MD6035D | MD6035C |
| SX-F 250 (4T) | 09-10 | FA181X | FA181R | MXS181 | | OS6932C▲ | MD6032C | FA368X | FA368R | MXS368 | | MD6035C |
| XC 250 | 06-09 | FA181X | FA181R | MXS181 | MD6032D | OS6032C▲ | MD6032C | FA368X | FA368R | MXS368 | MD6035D | MD6035C |
| XC 250 | 10 | FA181X | FA181R | MXS181 | MD6032D | OS6932C▲ | MD6032C | FA368X | FA368R | MXS368 | MD6035D | MD6035C |
| XC-W 250 | 06-08 | FA181X | FA181R | MXS181 | MD6032D | OS6032C▲ | MD6032C | FA368X | FA368R | MXS368 | MD6035D | MD6035C |
| XC-W 250 | 10 | FA181X | FA181R | MXS181 | MD6032D | OS6032C▲ | MD6032C | FA368X | FA368R | MXS368 | MD6035D | MD6035C |
| XC-F 250 | 06-09 | FA181X | FA181R | MXS181 | MD6032D | OS6032C▲ | MD6032C | FA368X | FA368R | MXS368 | MD6035D | MD6035C |
| XC-F-W 250 | 06-10 | FA181X | FA181R | MXS181 | MD6032D | OS6032C▲ | MD6032C | FA368X | FA368R | MXS368 | MD6035D | MD6035C |
| XC-F-W 250 Six Days | 11 | FA181X | FA181R | MXS181 | MD6032D | OS6032C▲ | MD6032C | FA368X | FA368R | MXS368 | MD6035D | MD6035C |
| EGS 300 (Standard forks) | 94-98 | FA181X | FA181R | MXS181 | MD6032D | OS6032C▲ | MD6032C | FA208X | FA208R | MXS208 | MD6035D | MD6035C |
| EXC 300 (Standard forks) | 94-98 | FA181X | FA181R | MXS181 | MD6032D | OS6032C▲ | MD6032C | FA208X | FA208R | MXS208 | MD6035D | MD6035C |
| EXC 300 (Upside down forks) | 99-03 | FA181X | FA181R | MXS181 | MD6032D | OS6032C▲ | MD6032C | FA208X | FA208R | MXS208 | MD6035D | MD6035C |
| EXC 300 (Upside down forks) | 04-05 | FA181X | FA181R | MXS181 | MD6032D | OS6032C▲ | MD6032C | FA368X | FA368R | MXS368 | MD6035D | MD6035C |
| GSXC/GS 300 | 85 | FA47X | FA47R | | N/A | | | | 814G | | | |
| MX/MXC 300 | 85 | FA47X | FA47R | | N/A | | | | 814G | | | |
| MXC 300 (Standard forks) | 94-98 | FA181X | FA181R | MXS181 | MD6032D | OS6032C▲ | MD6032C | FA208X | FA208R | MXS208 | MD6035D | MD6035C |
| MXC 300 (Upside down forks) | 99-03 | FA181X | FA181R | MXS181 | MD6032D | OS6032C▲ | MD6032C | FA208X | FA208R | MXS208 | MD6035D | MD6035C |
| MXC 300 (Upside down forks) | 04-06 | FA181X | FA181R | MXS181 | MD6032D | OS6032C▲ | MD6032C | FA368X | FA368R | MXS368 | MD6035D | MD6035C |

▲ Supersmoto oversize disc conversion available for this disc - see page 335.

All part numbers, prefixes and suffixes shown in this catalog are unique and form a registered copyright as the property of EBC Brakes and its UK trademark owners

* symbol after part# = 2 pieces reqd.
i.e. 2 pad sets or 2 contour rotors

PAD/SHOE/ROTOR Applications for European DIRT Bikes

DIRT BIKES

KTM Contd.

| Year | FRONT | | | | | | REAR | | | | | |
|---|-----------------------|--------------------|---------------|--------------------|----------------|----------------|-----------------------|--------------------|---------------|--------------------|---------------|---------|
| | Brake PAD/Shoe Detail | | | Brake ROTOR Detail | | | Brake PAD/Shoe Detail | | | Brake ROTOR Detail | | |
| | SPORT CARBON | LONG LIFE SINTERED | RACE SINTERED | STANDARD ROTOR | OVERSIZE ROTOR | CONTOUR ROTOR | SPORT CARBON | LONG LIFE SINTERED | RACE SINTERED | STANDARD ROTOR | CONTOUR ROTOR | |
| *X* PADS/SHOES | *R* PADS | *MXS* PADS | WITHOUT PADS | WITH BRACKET | See Tech Pages | *X* PADS/SHOES | *R* PADS | *MXS* PADS | WITHOUT PADS | See Tech Pages | | |
| MX/MXC/GS 300 | 86 | FA47X | FA47R | | N/A | | FA47X | FA47R | | MD6227D | | |
| SX 300 | 94-96 | FA181X | FA181R | MXS181 | MD6032D | OS6032C▲ | MD6032C | FA208X | FA208R | MXS208 | MD6035D | MD6035C |
| XC 300 | 06-09 | FA181X | FA181R | MXS181 | MD6032D | OS6032C▲ | MD6032C | FA368X | FA368R | MXS368 | MD6035D | MD6035C |
| XC 300 | 10 | FA181X | FA181R | MXS181 | MD6032D | OS6932C▲ | MD6032C | FA368X | FA368R | MXS368 | MD6035D | MD6035C |
| XC-W 300 | 06-09 | FA181X | FA181R | MXS181 | MD6032D | OS6032C▲ | MD6032C | FA368X | FA368R | MXS368 | MD6035D | MD6035C |
| XC-W 300 | 10-11 | FA181X | FA181R | MXS181 | MD6032D | OS6932C▲ | MD6032C | FA368X | FA368R | MXS368 | MD6035D | MD6035C |
| DXC/EXC/EGS 350 Brembo Calipers | 90-91 | FA67X | FA67R | | MD6034D | | | FA67 | FA67R | | N/A | |
| DXC/EXC/EGS 350 Grimeca Calipers | 90-91 | FA132X | FA132R | | MD6034D | | | FA132X | FA132R | | N/A | |
| EXC 350 Brembo Calipers | 89 | FA67X | FA67R | | MD6034D | | | FA67X | FA67R | | MD6227D | |
| EXC 350 Grimeca Calipers | 89 | FA132X | FA132R | | MD6034D | | | FA132X | FA132R | | MD6227D | |
| EXC 350 LC4 (Standard forks) | 94-95 | FA181X | FA181R | MXS181 | MD6032D | OS6032C▲ | MD6032C | FA208X | FA208R | MXS208 | MD6035D | MD6035C |
| MX/MXC/GS 350 | 86 | FA47X | FA47R | | N/A | | FA47X | FA47R | | MD6227D | | |
| MX/EXC 350 | 87 | FA126X | FA126R | | N/A | | FA126X | FA126R | | N/A | | |
| MX/EXC/EGS 350 | 88 | FA132X | FA132R | | N/A | | FA132X | FA132R | | MD6227D | | |
| MX 350 Brembo Calipers | 90-91 | FA67X | FA67R | | N/A | | FA67X | FA67R | | N/A | | |
| MX 350 Grimeca Calipers | 90-91 | FA132X | FA132R | | N/A | | FA132X | FA132R | | N/A | | |
| MX 350 Brembo Calipers | 89 | FA67X | FA67R | | N/A | | FA67X | FA67R | | MD6227D | | |
| MX 350 Grimeca Calipers | 89 | FA132X | FA132R | | N/A | | FA132X | FA132R | | MD6227D | | |
| EXC 350 (Standard forks) | 96-97 | FA181X | FA181R | MXS181 | MD6032D | OS6032C▲ | MD6032C | FA208X | FA208R | MXS208 | MD6035D | MD6035C |
| SX-F 350 | 11 | FA181X | FA181R | MXS181 | MD6032D | OS6932C▲ | MD6032C | FA368X | FA368R | MXS368 | MD6035D | MD6035C |
| SX 360 (Standard forks) | 96-97 | FA181X | FA181R | MXS181 | MD6032D | OS6032C▲ | MD6032C | FA208X | FA208R | MXS208 | MD6035D | MD6035C |
| EXC 380 (Standard forks) | 98-99 | FA181X | FA181R | MXS181 | MD6032D | OS6032C▲ | MD6032C | FA208X | FA208R | MXS208 | MD6035D | MD6035C |
| EXC 380 (Upside down forks) | 00-03 | FA181X | FA181R | MXS181 | MD6032D | OS6032C▲ | MD6032C | FA208X | FA208R | MXS208 | MD6035D | MD6035C |
| SX 380 (Standard forks) | 98-99 | FA181X | FA181R | MXS181 | MD6032D | OS6032C▲ | MD6032C | FA208X | FA208R | MXS208 | MD6035D | MD6035C |
| SX 380 (Upside down forks) | 00-03 | FA181X | FA181R | MXS181 | MD6032D | OS6032C▲ | MD6032C | FA208X | FA208R | MXS208 | MD6035D | MD6035C |
| Duke 400 LC4 | 94-98 | FA95 | FA95HH | | MD6199D | | | FA208X | FA208R | MXS208 | N/A | |
| EGS 400/EGS-E/LSE (LC4 Enduro) | 96-99 | FA181X | FA181R | MXS181 | MD6130D | | | FA208X | FA208R | MXS208 | MD6035D | MD6035C |
| EXC/EGS 400 (USD) | 00-02 | FA181X | FA181R | MXS181 | MD6032D | OS6032C▲ | MD6032C | FA208X | FA208R | MXS208 | MD6035D | MD6035C |
| EXC 400 Racing (USD) | 00-03 | FA181X | FA181R | MXS181 | MD6032D | OS6032C▲ | MD6032C | FA208X | FA208R | MXS208 | MD6035D | MD6035C |
| XC/EXC 400 | 04-07 | FA181X | FA181R | MXS181 | MD6032D | OS6032C▲ | MD6032C | FA368X | FA368R | MXS368 | MD6035D | MD6035C |
| LC4-E 400 Enduro | 00-01 | FA181X | FA181R | MXS181 | MD6130D | | | FA208X | FA208R | MXS208 | MD6035D | MD6035C |
| SC 400 (Supercompetition LC4) | 96-99 | FA181X | FA181R | MXS181 | MD6032D | OS6032C▲ | MD6032C | FA208X | FA208R | MXS208 | MD6035D | MD6035C |
| SX 400 (Upside down forks) | 00-02 | FA181X | FA181R | MXS181 | MD6032D | OS6032C▲ | MD6032C | FA208X | FA208R | MXS208 | MD6035D | MD6035C |
| XC-W 400 | 08-09 | FA181X | FA181R | MXS181 | MD6032D | OS6032C▲ | MD6032C | FA368X | FA368R | MXS368 | MD6035D | MD6035C |
| XC-W 400 | 10-11 | FA181X | FA181R | MXS181 | MD6032D | OS6932C▲ | MD6032C | FA368X | FA368R | MXS368 | MD6035D | MD6035C |
| EXC 440 | 94-95 | FA181X | FA181R | MXS181 | MD6032D | OS6032C▲ | MD6032C | FA208X | FA208R | MXS208 | MD6032D | MD6032C |
| SX 440 | 94-95 | FA181X | FA181R | MXS181 | MD6032D | OS6032C▲ | MD6032C | FA208X | FA208R | MXS208 | MD6035D | MD6035C |
| XCR-W 450 | 08 | FA181X | FA181R | MXS181 | MD6032D | OS6032C▲ | MD6032C | FA368X | FA368R | MXS368 | MD6035D | MD6035C |
| 450 XC-W (4T) Six Days/Champion Edition | 10 | FA181X | FA181R | MXS181 | MD6032D | OS6032C▲ | MD6032C | FA368X | FA368R | MXS368 | MD6035D | MD6035C |
| EXC 450 | 03 | FA181X | FA181R | MXS181 | MD6032D | OS6032C▲ | MD6032C | FA208X | FA208R | MXS208 | MD6035D | MD6035C |
| XC/EXC 450 | 04-07 | FA181X | FA181R | MXS181 | MD6032D | OS6032C▲ | MD6032C | FA368X | FA368R | MXS368 | MD6035D | MD6035C |
| EXC-R 450 | 08 | FA181X | FA181R | MXS181 | MD6032D | OS6032C▲ | MD6032C | FA368X | FA368R | MXS368 | MD6035D | MD6035C |
| EXC 450 (4T) | 09 | FA181X | FA181R | MXS181 | MD6032D | OS6032C▲ | MD6032C | FA368X | FA368R | MXS368 | MD6035D | MD6035C |
| EXC 450 | 10-11 | FA181X | FA181R | MXS181 | MD6032D | OS6932C▲ | MD6032C | FA368X | FA368R | MXS368 | MD6035D | MD6035C |
| SMR 450 | 04 | | | MXS406 | MD6270D | | MD6270C | FA368X | FA368R | MXS368 | MD6035D | MD6035C |
| SMR 450 | 05-06 | | | MXS405 | MD6270D | | MD6270C | FA368X | FA368R | MXS368 | MD6035D | MD6035C |
| 450 SMR | 07-09 | FA433/4 | FA433/4HH | | | | MD6313C | FA368X | FA368R | MXS368 | MD6035D | MD6035C |
| SX-F 450 (USD) | 03-08 | FA181X | FA181R | MXS181 | MD6032D | OS6032C▲ | MD6032C | FA368X | FA368R | MXS368 | MD6035D | MD6035C |
| SX-F 450 (USD) | 09-10 | FA181X | FA181R | MXS181 | | OS6932C▲ | MD6032C | FA368X | FA368R | MXS368 | MD6035D | MD6035C |
| XCR-W 450 (4T) | 08 | FA181X | FA181R | MXS181 | MD6032D | OS6032▲ | MD6032C | FA368X | FA368R | MXS368 | MD6035D | MD6035C |
| XC-F 450 | 08-09 | FA181X | FA181R | MXS181 | MD6032D | | MD6032C | FA368X | FA368R | MXS368 | MD6035D | MD6035C |
| XC-W 450 | 08-09 | FA181X | FA181R | MXS181 | MD6032D | OS6032C▲ | MD6032C | FA368X | FA368R | MXS368 | MD6035D | MD6035C |
| XC-W 450 Six Days | 10-11 | FA181X | FA181R | MXS181 | MD6032D | OS6932C▲ | MD6032C | FA368X | FA368R | MXS368 | MD6035D | MD6035C |
| LC-4 MX/EXC 500 | 89 | FA132X | FA132R | | MD6034D | | | FA132X | FA132R | | N/A | |
| LC-4 MX 500 Brembo Calipers | 90-91 | FA67X | FA67R | | N/A | | | FA67X | FA67R | | MD6035D | MD6035C |
| LC-4 EXC 500 Brembo Calipers | 90-91 | FA67X | FA67R | | MD6034D | | | FA67X | FA67R | | MD6035D | MD6035C |
| LC-4 MX 500 Grimeca Calipers | 90-91 | FA132X | FA132R | | N/A | | | FA132X | FA132R | | MD6035D | MD6035C |
| LC-4 EXC 500 Grimeca Calipers | 90-91 | FA132X | FA132R | | MD6034D | | | FA132X | FA132R | | MD6035D | MD6035C |

All part numbers, prefixes and suffixes shown in this catalog are unique and form a registered copyright as the property of EBC Brakes and its UK trademark owners

* symbol after part # = 2 pieces reqd.
i.e. 2 pad sets or 2 contour rotors

▲ Supermoto oversize disc conversion available for this disc - see page 335.

PAD/SHOE/ROTOR Applications for European DIRT Bikes

APPLICTIONS

BRAKE

DIRT BIKES

KTM Contd.

| | Year | FRONT | | | | | | REAR | | | | |
|--|-----------|-----------------------|--------------------|---------------|--------------------|-----------------|---------------|-----------------------|--------------------|----------------|--------------------|---------------|
| | | Brake PAD/Shoe Detail | | | Brake ROTOR Detail | | | Brake PAD/Shoe Detail | | | Brake ROTOR Detail | |
| | | SPORT CARBON | LONG LIFE SINTERED | RACE SINTERED | STANDARD ROTOR | OVERSIZE ROTOR | CONTOUR ROTOR | SPORT CARBON | LONG LIFE SINTERED | RACE SINTERED | STANDARD ROTOR | CONTOUR ROTOR |
| *"X" PADS/SHOES | *"R" PADS | *"MXS" PADS | WITHOUT PADS | WITH BRACKET | See Tech Pages | *"X" PADS/SHOES | *"R" PADS | *"MXS" PADS | WITHOUT PADS | See Tech Pages | | |
| MX/MXC/XC-GS 500 | 85 | FA47X | | | N/A | | | 814G | | | | |
| MX 500 | 92-94 | FA181X | FA181R | MXS181 | N/A | | FA67X | FA67R | | N/A | | |
| MX 500 | 95 | FA181X | FA181R | MXS181 | N/A | | FA208X | FA208R | MXS208 | N/A | | |
| SX-F 505 | 07-08 | FA181X | FA181R | MXS181 | MD6032D | OS6032C▲ | MD6032C | FA368X | FA368R | MXS368 | MD6035D | MD6035C |
| XC-F 505 | 08-09 | FA181X | FA181R | MXS181 | MD6032D | OS6032C▲ | MD6032C | FA368X | FA368R | MXS368 | MD6035D | MD6035C |
| EXC 520 | 01-03 | FA181X | FA181R | MXS181 | MD6032D | OS6032C▲ | MD6032C | FA208X | FA208R | MXS208 | MD6035D | MD6035C |
| SX 520 | 01-03 | FA181X | FA181R | MXS181 | MD6032D | OS6032C▲ | MD6032C | FA208X | FA208R | MXS208 | MD6035D | MD6035C |
| EXC 525 | 03 | FA181X | FA181R | MXS181 | MD6032D | OS6032C▲ | MD6032C | FA208X | FA208R | MXS208 | MD6035D | MD6035C |
| EXC 525 | 04-07 | FA181X | FA181R | MXS181 | MD6032D | OS6032C▲ | MD6032C | FA368X | FA368R | MXS368 | MD6035D | MD6035C |
| MXC 525 (Desert Racing) | 03 | FA181X | FA181R | MXS181 | MD6032D | OS6032C▲ | MD6032C | FA208X | FA208R | MXS208 | MD6035D | MD6035C |
| MXC 525 (Desert Racing) | 04 | FA181X | FA181R | MXS181 | MD6032D | OS6032C▲ | MD6032C | FA208X | FA208R | MXS208 | MD6035D | MD6035C |
| SMR 525 | 04 | | | MXS406 | TBA | | | FA368X | FA368R | MXS368 | TBA | |
| SMR 525 | 05 | | | MXS405 | N/A | | | FA368X | FA368R | MXS368 | MD6035D | MD6035C |
| SX 525 | 03-06 | FA181X | FA181R | MXS181 | MD6032D | OS6032C▲ | MD6032C | FA368X | FA368R | MXS368 | MD6035D | MD6035C |
| XC 525 Desert Racing | 07 | FA181X | FA181R | MXS181 | MD6032D | OS6032C▲ | MD6032C | FA368X | FA368R | MXS368 | MD6035D | MD6035C |
| EXC-R 530 | 08 | FA181X | FA181R | MXS181 | MD6032D | OS6032C▲ | MD6032C | FA368X | FA368R | MXS368 | MD6035D | MD6035C |
| EXC 530 (4T) | 09-10 | FA181X | FA181R | MXS181 | MD6032D | OS6032C▲ | MD6032C | FA368X | FA368R | MXS368 | MD6035D | MD6035C |
| EXC 530 (4T) | 10-11 | FA181X | FA181R | MXS181 | MD6032D | OS6032C▲ | MD6032C | FA368X | FA368R | MXS368 | MD6035D | MD6035C |
| XC-W 530 | 08-09 | FA181X | FA181R | MXS181 | MD6032D | OS6032C▲ | MD6032C | FA368X | FA368R | MXS368 | MD6035D | MD6035C |
| XC-W 530 (4T) Six Days | 10 | FA181X | FA181R | MXS181 | MD6032D | OS6032C▲ | MD6032C | FA368X | FA368R | MXS368 | MD6035D | MD6035C |
| MXC 550 | 96 | FA181X | FA181R | MXS181 | MD6032D | OS6032C▲ | MD6032C | FA208X | FA208R | MXS208 | MD6035D | MD6035C |
| SMR 560 | 06 | | | MXS405 | MD6270D | | MD6270C | FA368X | FA368R | MXS368 | MD6035D | MD6035C |
| 560 SMR | 07 | FA433/4 | FA433/4HH | | | | MD6313C | FA368X | FA368R | MXS368 | MD6035D | MD6035C |
| LC4 MX/EXC 600 | 89 | FA132X | FA132R | | MD6034D | | | FA132X | FA132R | | N/A | |
| LC4 MX 600 Brembo Calipers | 90-91 | FA67X | FA67R | | N/A | | | FA67X | FA67R | | MD6035D | MD6035C |
| LC4 EXC 600 Brembo Calipers | 90-91 | FA67X | FA67R | | MD6034D | | | FA67X | FA67R | | MD6035D | MD6035C |
| LC4 MX 600 Grimeca Calipers | 90-91 | FA132X | FA132R | | N/A | | | FA132X | FA132R | | MD6035D | MD6035C |
| LC4 EXC 600 Grimeca Calipers | 90-91 | FA132X | FA132R | | MD6034D | | | FA132X | FA132R | | MD6035D | MD6035C |
| LC4 EXC 600 | 92-93 | FA132X | FA132R | | MD6034D | | | FA67X | FA67R | | MD6035D | MD6035C |
| Duke 620 LC4 | 94-98 | FA95 | FA95HH | | MD6199D | | MD6199C | FA208X | FA208R | MXS208 | N/A | |
| EGS 620 Enduro/EGS-E/LSE | 96-99 | FA181X | FA181R | MXS181 | MD6130D | | MD6130CF | FA208X | FA208R | MXS208 | MD6035D | MD6035C |
| EGS-E 620 Adventure/Rallye | 99 | FA181X | FA181R | MXS181 | MD6032D | OS6032C▲ | MD6032C | FA208X | FA208R | MXS208 | MD6035D | MD6035C |
| LC4 620 SC Supermoto | 00 | FA181X | FA181R | MXS181 | MD6199D | | MD6199C | FA208X | FA208R | MXS208 | MD6035D | MD6035C |
| SC 620 Supercompetition | 96-00 | FA181X | FA181R | MXS181 | MD6032D | OS6032C▲ | MD6032C | FA208X | FA208R | MXS208 | MD6035D | MD6035C |
| SX 620/EXC/EGS | 94 | FA181X | FA181R | MXS181 | MD6032D | OS6032C▲ | MD6032C | FA67X | FA67R | | N/A | |
| SX EXC/EGS 620 | 95 | FA181X | FA181R | MXS181 | MD6032D | OS6032C▲ | MD6032C | FA208X | FA208R | MXS208 | MD6035D | MD6035C |
| SX 620 | 96-99 | FA181X | FA181R | MXS181 | MD6032D | OS6032C▲ | MD6032C | FA208X | FA208R | MXS208 | MD6035D | MD6035C |
| LC4 625 SC Supermoto | 02 | FA181X | FA181R | MXS181 | MD6199D | | MD6199C | FA208X | FA208R | MXS208 | MD6035D | MD6035C |
| LC4 625 SC Supercompetition | 02 | FA181X | FA181R | MXS181 | MD6032D | OS6032C▲ | MD6032C | FA208X | FA208R | MXS208 | MD6035D | MD6035C |
| SMC 625 | 05-06 | FA244 | FA244HH | | | | MD6199C | FA208X | FA208R | MXS208 | | |
| SXC 625 | 03-04 | FA181X | FA181R | MXS181 | MD6032D | OS6032C▲ | MD6032C | FA208X | FA208R | MXS208 | MD6035D | MD6035C |
| SXC 625 | 05-06 | FA181X | FA181R | MXS181 | MD6032D | OS6032C▲ | MD6032C | FA368X | FA368R | MXS368 | MD6035D | MD6035C |
| Duke II 640 Orpheus/Titan/Lime | 01- | FA244 | FA244HH | | MD6199D | | MD6199C | FA208X | FA208R | MXS208 | MD6035D | MD6035C |
| Duke II 640 Black/Orange | 02 | FA244 | FA244HH | | MD6199D | | MD6199C | FA208X | FA208R | MXS208 | MD6035D | MD6035C |
| LC4-E 640 Enduro | 00-04 | FA181X | FA181R | MXS181 | MD6130D | | MD6130CF | FA208X | FA208R | MXS208 | MD6035D | MD6035C |
| LC4-E 640 Supermoto | 00-04 | FA181X | FA181R | MXS181 | MD6199D | | MD6199C | FA208X | FA208R | MXS208 | MD6035D | MD6035C |
| LC-4 640 Adventure | 01-03 | FA181X | FA181R | MXS181 | MD6130D | | MD6130CF | FA208X | FA208R | MXS208 | MD6035D | MD6035C |
| LC-4 Adventure | 04-05 | FA181X | FA181R | MXS181 | MD6266D | | | FA208X | FA208R | MXS208 | MD6035D | MD6035C |
| LC-R 640 Adventure R | 00 | FA181X | FA181R | MXS181 | MD6130D | | MD6130CF | FA208X | FA208R | MXS208 | MD6035D | MD6035C |
| 640 Duke (Jet Black/Yellow/Adrenalin Orange) | 03-06 | FA244 | FA244HH | | MD6199D | | MD6199C | FA208X | FA208R | MXS208 | MD6035D | MD6035C |
| SMC 660 Supermoto | 03-04 | FA95 | FA95HH | | TBA | | | FA208X | FA208R | MXS208 | MD6035D | MD6035C |
| SMC 640 LC4 | 05-06 | FA244 | FA244HH | | TBA | | | FA208X | FA208R | MXS208 | TBA | |
| SMC 660 | 05-06 | FA244 | FA244HH | | TBA | | | FA208X | FA208R | MXS208 | TBA | |
| 690 Rally Factory Rep | 07-08 | FA209/2 | FA209/2HH | | TBA | | | FA208X | FA208R | MXS208 | MD6269D | |
| 690 Enduro | 08 | FA181X | FA181R | MXS181 | MD6130D | | MD6130CF | FA208X | FA208R | MXS208 | MD6035D | MD6035C |
| 690 Enduro R | 10-11 | FA209/2 | FA209/2HH | | | | MD6299C | FA208X | FA208R | MXS208 | | MD6269C |
| 690 SMC | 08-11 | | FA322/4HH | | MD6199D | | MD6199C | FA208X | FA208R | MXS208 | MD6298D | |
| 690 SMR | 07-09 | | FA322/4HH | | MD614X | | MD614XC | FA208X | FA208R | MXS208 | MD681 | |

▲ Supermoto oversize disc conversion available for this disc - see page 335.

All part numbers, prefixes and suffixes shown in this catalog are unique and form a registered copyright as the property of EBC Brakes and its UK trademark owners

* symbol after part# = 2 pieces reqd. i.e. 2 pad sets or 2 contour rotors

PAD/SHOE/ROTOR Applications for European DIRT Bikes

DIRT BIKES

KTM Contd.

| | Year | FRONT | | | | | | REAR | | | | | | | | |
|-----------------|----------|-----------------------|--------------------|---------------|--------------------|----------------|---------------|-----------------------|--------------------|----------------|--------------------|---------------|---------|--------|---------|--|
| | | Brake PAD/Shoe Detail | | | Brake ROTOR Detail | | | Brake PAD/Shoe Detail | | | Brake ROTOR Detail | | | | | |
| | | SPORT CARBON | LONG LIFE SINTERED | RACE SINTERED | STANDARD ROTOR | OVERSIZE ROTOR | CONTOUR ROTOR | SPORT CARBON | LONG LIFE SINTERED | RACE SINTERED | STANDARD ROTOR | CONTOUR ROTOR | | | | |
| *X* PADS/SHOES | *R* PADS | *MXS* PADS | WITHOUT PADS | WITH BRACKET | See Tech Pages | *X* PADS/SHOES | *R* PADS | *MXS* PADS | WITHOUT PADS | See Tech Pages | | | | | | |
| 690 Supermoto | 02-08 | FA244 | FA244HH | | TBA | | | | | | | FA208X | FA208R | MXS208 | MD681 | |
| 950 Adventure/S | 04-06 | FA209/2* | FA209/2HH* | | MD6266D* | | | | | | | FA181X | FA181HH | | MD6269D | |
| 950 Supermoto | 05-07 | | FA322/4HH* | | MD680* | | | | | | | FA181X | FA181HH | | MD681 | |
| 950 Supermoto R | 07-08 | | FA322/4HH* | | MD680* | | | | | | | FA181X | FA181HH | | MD681 | |
| 990 Adventure | 07-11 | FA209/2* | FA209/2HH* | | MD6299D | MD6299D | MD6299C* | | | | | FA181X | FA181HH | | MD6298D | |
| 990 Adventure R | 10-11 | FA209/2* | FA209/2HH* | | MD6299D | MD6299D | MD6299C* | | | | | FA181X | FA181R | | MD6298D | |
| 990 Adventure S | 07-09 | FA209/2* | FA209/2HH* | | MD6299D | MD6299D | MD6299C* | | | | | FA181X | FA181HH | | MD6298D | |
| 990 SM-T | 09-11 | | FA322/4HH* | | MD680* | | | | | | | FA181X | FA181HH | | MD681 | |
| 990 SM-R | 09-11 | | FA447HH* | | MD680* | | | | | | | FA181X | FA181HH | | MD681 | |

LEM

| | | | | | | | | | | | | | | | | |
|--------|-------|--|--------|--|-----|--|--|--|--|--|--|--|--------|--|-----|--|
| RX 2/3 | 03-08 | | FA325R | | N/A | | | | | | | | FA325R | | N/A | |
|--------|-------|--|--------|--|-----|--|--|--|--|--|--|--|--------|--|-----|--|

LIFAN

| | | | | | | | | | | | | | | | | |
|-------------|-------|------|--|--|-----|--|--|--|--|--|--|----------|--|--|-----|--|
| LF 200 GY-S | 05-08 | FA56 | | | N/A | | | | | | | FA165/2X | | | N/A | |
|-------------|-------|------|--|--|-----|--|--|--|--|--|--|----------|--|--|-----|--|

MAICO/M-STAR

| | | | | | | | | | | | | | | | | |
|-----------------------------|-------|----------|----------|--------|-----|--|--|--|--|--|--|----------|----------|--------|-----|--|
| All Models | 84-85 | UGS | 821G | | | | | | | | | UGS | 822G | | | |
| Front rotor models 1985 use | | FA47X | FA47R | | N/A | | | | | | | UGS | 822G | | | |
| Most 1986 Models | | FA106/2X | FA106/2R | | N/A | | | | | | | FA106/2X | FA106/2R | | N/A | |
| MX 250/360/500 | 89 | FA132X | FA132R | | N/A | | | | | | | FA132X | FA132R | | N/A | |
| MX 500 | 95 | FA132X | FA132R | | N/A | | | | | | | FA67X | FA67R | | N/A | |
| All Models | | UGS | 841G | | | | | | | | | UGS | 841G | | | |
| Rotor Models | 86 | FA99X | FA99R | | N/A | | | | | | | UGS | 841G | | | |
| Rotor Models | 87-88 | FA99X | FA99R | | N/A | | | | | | | FA99X | FA99R | | N/A | |
| Rotor Models | 89-96 | FA115X | FA115R | MXS115 | N/A | | | | | | | FA115X | FA115R | MXS115 | N/A | |
| Rotor Models | 97-99 | FA181X | FA181R | MXS181 | N/A | | | | | | | FA208X | FA208R | MXS208 | N/A | |

MONTESA

| | | | | | | | | | | | | | | | | |
|------------------|-------|--------|--------|--------|-----|--|--|--|--|--|--|--------|-------|--|-----|--|
| 314 R | 94-96 | FA115X | FA115R | MXS115 | N/A | | | | | | | FA47X | FA47R | | N/A | |
| 315 R | 97-00 | FA115X | FA115R | MXS115 | N/A | | | | | | | FA47X | FA47R | | N/A | |
| 315 R | 01-04 | FA303X | | | N/A | | | | | | | FA351X | | | N/A | |
| 4RT Cota (250cc) | 05-08 | FA303X | | | N/A | | | | | | | FA351X | | | N/A | |

POLINI (MINI MOTOS)

| | | | | | | | | | | | | | | | | |
|--|--|-------|--------|--|-----|--|--|--|--|--|--|-------|--------|--|-----|--|
| Polini Calipers (Round shape threaded pad) | | FA293 | FA293S | | N/A | | | | | | | FA293 | FA293S | | N/A | |
| Polini Calipers (Square shape 2 pin type) | | FA352 | | | N/A | | | | | | | FA352 | | | N/A | |

SCORPA

| | | | | | | | | | | | | | | | | |
|------------------|-------|--------|----------|--------|-----|--|--|--|--|--|--|--------|----------|--|-----|--|
| SR 125 (2T) | 11 | FA303X | | | N/A | | | | | | | FA351X | | | N/A | |
| SY 125 F | 05-09 | FA115X | FA115R | MXS115 | N/A | | | | | | | FA351X | | | N/A | |
| T-Ride 125 | 11 | FA465X | | | N/A | | | | | | | FA350X | | | N/A | |
| TY-S 125 F | 04-09 | FA115X | FA115R | MXS115 | N/A | | | | | | | FA351X | | | N/A | |
| SY 175 F | 05-08 | FA115X | FA115R | MXS115 | N/A | | | | | | | FA351X | | | N/A | |
| TYS 175 F | 06-08 | FA115X | FA115R | MXS115 | N/A | | | | | | | FA351X | | | N/A | |
| SY 200 F (4T) | 08-09 | FA303X | | | N/A | | | | | | | FA351X | | | N/A | |
| SY 250 (2T) | 03-10 | FA303X | | | N/A | | | | | | | FA351X | | | N/A | |
| SY 250 Long Ride | 05-09 | FA303X | | | N/A | | | | | | | FA351X | | | N/A | |
| SY 250 F | 06-10 | FA303X | | | N/A | | | | | | | FA351X | | | N/A | |
| SY 250 FR | 11 | FA303X | | | N/A | | | | | | | FA351X | | | N/A | |
| T-Ride 250 F | 06-08 | FA194 | FA194HH | | N/A | | | | | | | FA115X | FA115HH | | N/A | |
| T-Ride 250 F | 09-10 | FA465X | | | N/A | | | | | | | FA350X | | | N/A | |
| SR 280 (2T) | 11 | FA303X | | | N/A | | | | | | | FA351X | | | N/A | |
| 4 Trick | 06-08 | CFA331 | CFA331HH | | N/A | | | | | | | CFA331 | CFA331HH | | N/A | |

All part numbers, prefixes and suffixes shown in this catalog are unique and form a registered copyright as the property of EBC Brakes and its UK trademark owners

* symbol after part# = 2 pieces reqd.
i.e. 2 pad sets or 2 contour rotors

PAD/SHOE/ROTOR Applications for European DIRT Bikes

APPLICATIONS

BRAKE

DIRT BIKES

SDG

| Year | FRONT | | | | | | REAR | | | | |
|----------------|-----------------------|--------------------|---------------|--------------------|----------------|----------------|-----------------------|--------------------|---------------|--------------------|----------------|
| | Brake PAD/Shoe Detail | | | Brake ROTOR Detail | | | Brake PAD/Shoe Detail | | | Brake ROTOR Detail | |
| | SPORT CARBON | LONG LIFE SINTERED | RACE SINTERED | STANDARD ROTOR | OVERSIZE ROTOR | CONTOUR ROTOR | SPORT CARBON | LONG LIFE SINTERED | RACE SINTERED | STANDARD ROTOR | CONTOUR ROTOR |
| | *X* PADS/SHOES | *R* PADS | *MXS* PADS | WITHOUT PADS | WITH BRACKET | See Tech Pages | *X* PADS/SHOES | *R* PADS | *MXS* PADS | WITHOUT PADS | See Tech Pages |
| 50 HL Mini | 04-07 | TBA | | | TBA | | TBA | | | TBA | |
| 107 Speed Mini | | TBA | | | TBA | | TBA | | | TBA | |
| 125 Pro Mini | | TBA | | | TBA | | TBA | | | TBA | |

SHERCO

| | | | | | | | | | | | |
|-----------------------|-------|--------|-----------|--------|-----|--|--------|--------|--------|-----|--|
| 0.5/0.8/1.25/2.0 (2T) | 03-10 | FA115X | FA115R | MXS115 | N/A | | FA115X | FA115R | MXS115 | N/A | |
| 2.5/2.9 (Trials) (2T) | 03-09 | FA303X | | | N/A | | FA351X | | | N/A | |
| 2.5i Enduro | 05-10 | FA181X | FA181R | MXS181 | N/A | | FA367X | FA367R | MXS367 | N/A | |
| 3.2 (4T) (Trials) | 05-10 | FA303X | | | N/A | | FA351X | | | N/A | |
| 4.5i Enduro | 05-10 | FA181X | FA181R | MXS181 | N/A | | FA367X | FA367R | MXS367 | N/A | |
| 4.5 Supermoto | 04-07 | FA181X | FA181R | MXS181 | N/A | | FA367X | FA367R | MXS367 | N/A | |
| 4.5iF Supermoto | 08-10 | | FA322/4HH | | TBA | | FA367X | FA367R | MXS367 | TBA | |
| 5.1i Enduro | 05-10 | FA181X | FA181R | MXS181 | N/A | | FA367X | FA367R | MXS367 | N/A | |

THUMPSTAR

| | | | | | | | | | | | |
|-----------------------|-------|-------|---------|--|-----|--|-------|---------|--|-----|--|
| Thumpstar Junior 90cc | 04-07 | FA169 | FA169HH | | N/A | | FA169 | FA169HH | | N/A | |
| Thumpstar Supa 110cc | 04-07 | FA169 | FA169HH | | N/A | | FA169 | FA169HH | | N/A | |
| Thumpstar Expert 125 | 06-07 | FA169 | FA169HH | | N/A | | FA169 | FA169HH | | N/A | |
| Thumpstar Pro 125 | 05-07 | FA169 | FA169HH | | N/A | | FA169 | FA169HH | | N/A | |

TOMOS

| | | | | | | | | | | | |
|--------------------|-------------|-------|--|--|-----|--|-------|--|--|-----|--|
| MC 36 | 05-07 | TBA | | | | | TBA | | | | |
| MC 50 Senior Pro | 03-08 | FA116 | | | N/A | | FA116 | | | N/A | |
| MC 50 Senior | 03-04/05-07 | TBA | | | | | TBA | | | | |
| MC 50 Senior Pro | 05-07 | TBA | | | N/A | | TBA | | | N/A | |
| MC 50 Junior | 03-04 | TBA | | | | | TBA | | | | |
| MC 50 Junior | 05-07 | TBA | | | | | TBA | | | | |
| MC 80 (Drum Model) | 05-07 | TBA | | | | | TBA | | | | |

T.M.

| | | | | | | | | | | | |
|-----------------------------|-------|--------|-----------|--------|-----|--|--------|--------|--------|-----|--|
| MX Models 85/100 | 02-03 | FA181X | FA181R | MXS181 | N/A | | FA208X | FA208R | MXS208 | N/A | |
| MX 85 JR (2T) | 04-08 | FA181X | FA181R | MXS181 | N/A | | FA131X | FA131R | MXS131 | N/A | |
| EN 125 (2T) | 01-08 | FA181X | FA181R | MXS181 | N/A | | FA131X | FA131R | MXS131 | N/A | |
| MX Models 125/250/300 | 02-03 | FA181X | FA181R | MXS181 | N/A | | FA131X | FA131R | MXS131 | N/A | |
| SMM 125 Black Dream (2T) | 04-08 | N/A | | | N/A | | FA47 | FA47HH | | N/A | |
| SMR 125 (2T) | 05-08 | FA95 | FA95HH | | N/A | | FA131X | FA131R | MXS131 | N/A | |
| MX 144 (2T) | 07-08 | FA181X | FA181R | MXS181 | N/A | | FA131X | FA131R | MXS131 | N/A | |
| EN 250 (2T) | 01-08 | FA181X | FA181R | MXS181 | N/A | | FA131X | FA131R | MXS131 | N/A | |
| EN 250 F-ES (4T) | 01-08 | FA181X | FA181R | MXS181 | N/A | | FA131X | FA131R | MXS131 | N/A | |
| MX 250/300 (2T) | 04-08 | FA181X | FA181R | MXS181 | N/A | | FA131X | FA131R | MXS131 | N/A | |
| MX 250 F (4T) | 02-07 | FA181X | FA181R | MXS181 | N/A | | FA131X | FA131R | MXS131 | N/A | |
| EN 300 (2T) | 01-08 | FA181X | FA181R | MXS181 | N/A | | FA131X | FA131R | MXS131 | N/A | |
| EN 450 F-ES (4T) | 04-08 | FA181X | FA181R | MXS181 | N/A | | FA131X | FA131R | MXS131 | N/A | |
| MX 450 F | 04-08 | FA181X | FA181R | MXS181 | N/A | | FA131X | FA131R | MXS131 | N/A | |
| SMM 450 Black Dream ES (4T) | 05-08 | N/A | | | N/A | | FA47 | FA47HH | | N/A | |
| SMR 450 F ES (4T) | 05-08 | FA95 | FA95HH | | N/A | | FA131X | FA131R | MXS131 | N/A | |
| SMX 450 F Competition (4T) | 05-08 | | FA322/4HH | | N/A | | FA131X | FA131R | MXS131 | N/A | |
| EN 530 F-ES (4T) | 04-08 | FA181X | FA181R | MXS181 | N/A | | FA131X | FA131R | MXS131 | N/A | |
| MX 530 F (4T) | 04-08 | FA181X | FA181R | MXS181 | N/A | | FA131X | FA131R | MXS131 | N/A | |
| SMM 530 Black Dream ES (4T) | 05-08 | N/A | | | N/A | | FA47 | FA47HH | | N/A | |
| SMR 530 F ES (4T) | 05-08 | FA95 | FA95HH | | N/A | | FA131X | FA131R | MXS131 | N/A | |
| SMX 530 F Competition | 05-08 | | FA322/4HH | | N/A | | FA131X | FA131R | MXS131 | N/A | |
| SMX 660 F | 04 | FA95 | FA95HH | | N/A | | FA131X | FA131R | MXS131 | N/A | |

▲ Supermoto oversize disc conversion available for this disc - see page 335.

All part numbers, prefixes and suffixes shown in this catalog are unique and form a registered copyright as the property of EBC Brakes and its UK trademark owners

* symbol after part# = 2 pieces reqd. i.e. 2 pad sets or 2 contour rotors

PAD/SHOE/ROTOR Applications for European DIRT Bikes

DIRT BIKES

TRIUMPH

| | Year | FRONT | | | | | REAR | | | | |
|--|----------|-----------------------|--------------------|---------------|--------------------|----------------|-----------------------|--------------|--------------------|--------------------|----------------|
| | | Brake PAD/Shoe Detail | | | Brake ROTOR Detail | | Brake PAD/Shoe Detail | | | Brake ROTOR Detail | |
| | | SPORT CARBON | LONG LIFE SINTERED | RACE SINTERED | STANDARD ROTOR | OVERSIZE ROTOR | CONTOUR ROTOR | SPORT CARBON | LONG LIFE SINTERED | RACE SINTERED | STANDARD ROTOR |
| *X* PADS/SHOES | *R* PADS | *MXS* PADS | WITHOUT PADS | WITH BRACKET | See Tech Pages | *X* PADS/SHOES | *R* PADS | *MXS* PADS | WITHOUT PADS | See Tech Pages | |
| Tiger 800 | 11 | FA226* | FA226HH* | | TBA* | | FA140 | FA140HH | | MD663 | |
| Tiger 800 XC | 11 | FA226* | FA226HH* | | TBA* | | FA140 | FA140HH | | MD663 | |
| Tiger 885cc | 92-98 | FA214 | FA214HH | | MD644LS | | FA215/2 | FA215/2HH | | MD645 | |
| | | | | | | | | | | | |
| Scrambler (865cc) | 06-11 | FA196 | FA196HH | | MD649 | MD644RS | FA214/2 | FA214/2HH | | MD663 | |
| Floating disc conversion available | | | | | MD601LS | MD601RS | | | | | |
| Tiger 955cc (Spoke wheel) (up to VIN 198874) | 99-04 | FA196* | FA196HH* | | MD649 | MD649 | FA196 | FA196HH | | MD643 | |
| Floating disc conversion available | | | | | MD601LS | MD601RS | | | | | |
| Tiger 955 (cast wheel model) (from VIN 198875) | 04-06 | FA196* | FA196HH* | | MD676 | MD676 | FA215/2 | FA215/2HH | | MD677 | |
| Tiger 1050 (Radial Caliper) | 07-11 | | FA347HH* | | MD679 | MD679 | FA215/2 | FA215/2HH | | MD663 | |
| Tiger 1050 SE (Radial Caliper) | 11 | | FA347HH* | | MD679 | MD679 | FA215/2 | FA215/2HH | | MD663 | |

UM (UNITED MOTORS)

| | | | | | | | | | | | |
|-----------------------------------|-------|--------|---------|--------|-----|--|--------|--------|--|-----|--|
| Dirt Tracker 50 (DT 50) | 00-05 | | | | | | | | | | |
| DTF 50 | 06-08 | FA169 | FA169HH | | N/A | | TBA | | | | |
| DTF 90 | 06-08 | FA264 | FA264HH | | N/A | | TBA | | | | |
| DTF 110 | 06-08 | FA264 | FA264HH | | N/A | | TBA | | | | |
| Dirt Tracker 125/200 (DT 125/200) | 00-05 | FA56 | | | | | | | | | |
| DSF 200 | 06-08 | FA135X | FA135R | MXS135 | N/A | | FA115X | FA115R | | N/A | |
| DTF 200 | 06-08 | FA135X | FA135R | MXS135 | N/A | | FA115X | FA115R | | N/A | |
| SMF 200 | 08 | FA135X | FA135R | MXS135 | N/A | | FA115X | FA115R | | N/A | |
| Duel Sport Moto 2000 (DS 200) | 00-05 | FA56 | | | | | | | | | |

VERTEMATI

| | | | | | | | | | | | |
|--------------------------------|-------|--------|---------|--------|-----|--|--------|--------|--------|-----|--|
| 495 | 99-02 | FA181X | FA181R | MXS181 | N/A | | FA208X | FA208R | MXS208 | N/A | |
| C 450/500/570 (MX) | 03-04 | FA181X | FA181R | MXS181 | N/A | | FA208X | FA208R | MXS208 | N/A | |
| E 450/501/570 (Enduro) | 03-04 | FA181X | FA181R | MXS181 | N/A | | FA208X | FA208R | MXS208 | N/A | |
| S 450/501/570/E (Super Motard) | 03-04 | FA158 | FA158HH | | N/A | | FA208X | FA208R | MXS208 | N/A | |
| SR 450/SR 600 Motard Racing | 03-04 | FA158 | FA158HH | | N/A | | FA208X | FA208R | MXS208 | N/A | |

VOR

| | | | | | | | | | | | |
|-----------------|----|--------|--------|--------|-----|--|--------|--------|--------|-----|--|
| SM-E 450/530 | 04 | FA95 | FA95HH | | N/A | | FA208X | FA208R | MXS208 | N/A | |
| MX 450/530 | 04 | FA181X | FA181R | MXS181 | N/A | | FA208X | FA208R | MXS208 | N/A | |
| EN/EN-E 450/530 | 04 | FA181X | FA181R | MXS181 | N/A | | FA208X | FA208R | MXS208 | N/A | |

All part numbers, prefixes and suffixes shown in this catalog are unique and form a registered copyright as the property of EBC Brakes and its UK trademark owners

* symbol after part# = 2 pieces reqd.
i.e. 2 pad sets or 2 contour rotors

▲ Supermoto oversize disc conversion available for this disc - see page 335.

PAD/SHOE/ROTOR Applications for ATV



Bryan Hulsey -
OMA ATV US
National Champ!



“SV” Series SEVERE DUTY
SINTERED METAL PADS

- High density material for ultra long life
- Minimal rotor attack/rotor galling
- Great for mud, sand, utility application

SUPER TOUGH - HEAT TREATED
STAINLESS STEEL BRAKE ROTORS

- Tough steel for extra long rotor and pad life
- Eliminates rotor galling which wears pads
- Available with or without scraper holes (according to original design)

CARBON GRAPHITE “X” PADS

- Sport and general replacement grade
- Self insulating material runs cooler than sintered
- Lowest price point pad in EBC range

“R” SUFFIX
SINTERED PADS

General replacement with longer life

▲ Supermoto oversize disc conversion available for this disc - see page 335.

ATV

HONDA THREE WHEELERS

| Year | FRONT | | | | REAR | | | |
|--------------------|--------------------------------|-----------------------------------|---------------------------------------|-----------------------------------|--------------------------------|-----------------------------------|---------------------------------------|-----------------------------------|
| | SPORT CARBON “X” PADS/SHOES | LONG LIFE SINTERED “R” PADS | SV SERIES SEVERE DUTY “SV” PADS | STANDARD ROTOR WITHOUT PADS | SPORT CARBON “X” PADS/SHOES | LONG LIFE SINTERED “R” PADS | SV SERIES SEVERE DUTY “SV” PADS | STANDARD ROTOR WITHOUT PADS |
| ATC 70 | 78-85 | NONE | NONE | | 310 | 310G | | |
| ATC 110 | 79-85 | NONE | NONE | | 306 | 306G | | |
| ATC 125 M | 84-87 | 303 | 303G | | 306 | 306G | | |
| ATC 185 | 80 | 303 | 303G | | 306 | 306G | | |
| ATC 185 S | 81-83 | 303 | 303G | | 306 | 306G | | |
| ATC 200 | 81-83 | 303 | 303G | | 306 | 306G | | |
| ATC 200 E Big Red | 82-83 | 303 | 303G | | 306 | 306G | | |
| ATC 200 ES Big Red | 84 | 303 | 303G | | 306 | 306G | | |
| ATC 200 M | 84-85 | 303 | 303G | | 306 | 306G | | |
| ATC 200 S | 84-86 | 303 | 303G | | 306 | 306G | | |
| ATC 200 X | 83-85 | FA84X | FA84R | FA84SV | MD6059D | N/A | FA84/2R | MD6059D |
| ATC 200 X | 86-87 | FA84X | FA84R | FA84SV | MD6059D | FA84X | FA84R | FA84SV |
| ATC 250 R | 81 | FA54X | FA54R | FA54SV | MD6060D | 306 | 306G | |
| ATC 250 R | 82 | FA54X | FA54R | FA54SV | MD6060D | N/A | FA84/2R | N/A |
| ATC 250 R | 83-84 | FA84X | FA84R | FA84SV | MD6059D | FA84X | FA84R | FA84SV |
| ATC 250 R | 85-86 | FA92X | FA92R | | MD6059D | FA92X | FA92R | |
| ATC 250 ES Big Red | 85-87 | 306 | 306G | | 315 | 315G | | |
| ATC 250 SX | 85-87 | 306 | 306G | | 315 | 315G | | |
| ATC 350 X | 85 | FA92X | FA92R | | MD6059D | FA84X | FA84R | |
| ATC 350 X | 86 | FA125X | FA125R | | MD6059D | FA84X | FA84R | |

Note: ATC is a Registered Trademark of Honda Motor Corporation - Japan

HONDA FOUR WHEELERS

| | | | | | | | | |
|----------------------------|-------|---------|---------|----------|-------|-------|--|---------|
| TRX 70 Fourtrax | 86-87 | 346* | 346G* | | 330 | 330G | | |
| TRX 90 Fourtrax/Sportrax | 93-06 | 303* | 303G* | | 306 | 306G | | |
| TRX 90 EX | 07-08 | 303* | 303G* | | 306 | 306G | | |
| TRX 90 X | 09-11 | 303* | 303G* | | 306 | 306G | | |
| TRX 125 Fourtrax | 85-88 | 303* | 303G* | | 306 | 306G | | |
| TRX 200 Fourtrax | 84 | 339* | 339G* | | 306 | 306G | | |
| TRX 200 SX Fourtrax | 86-88 | 345* | 345G* | | 306 | 306G | | |
| TRX 200 Fourtrax | 90-91 | 345* | 345G* | | 306 | 306G | | |
| TRX 200 D Type II Fourtrax | 91-97 | 345* | 345G* | | 306 | 306G | | |
| TRX 250 Fourtrax | 85-87 | 339* | 339G* | | 315 | 315G | | |
| TRX 250 R Fourtrax | 86-87 | FA125X* | FA125R* | MD6046D* | FA92X | FA92R | | MD6007D |
| TRX 250 R Fourtrax | 88-89 | FA125X* | FA125R* | MD6006D* | FA92X | FA92R | | MD6007D |

All part numbers, prefixes and suffixes shown in this catalog are unique and form a registered copyright as the property of EBC Brakes and its UK trademark owners

* symbol after part# = 2 pieces reqd. i.e. 2 pad sets or 2 contour rotors

PAD/SHOE/ROTOR Applications for ATV

ATV

HONDA FOUR WHEELERS CONTD.

| Year | FRONT | | | | REAR | | | | |
|---|--------------------------------|-----------|-------------|--------------------------------|--------------------------------|-----------|-------------|--------------------------------|---------|
| | SPORT CARBON "X" PADS/SHOES | LONG LIFE | SV SERIES | STANDARD ROTOR WITHOUT PADS | SPORT CARBON "X" PADS/SHOES | LONG LIFE | SV SERIES | STANDARD ROTOR WITHOUT PADS | |
| | | SINTERED | SEVERE DUTY | | | SINTERED | SEVERE DUTY | | |
| | | "R" PADS | "SV" PADS | | | "R" PADS | "SV" PADS | | |
| TRX 250 X Fourtrax | 87-92 | FA84X* | FA84R* | FA84SV* | MD6006D* | FA84X | FA84R | FA84SV | MD6064D |
| TRX 250 EX Sportrax | 01-08 | FA84X* | FA84R* | FA84SV* | MD6006D* | 340 | 340G | | |
| TRX 250 TE/TEA Recon ES | 07-09/11 | 345* | 345G* | | | 340 | 340G | | |
| TRX 250 TM/TMA Recon | 97-09/11 | 345* | 345G* | | | 340 | 340G | | |
| TRX 250 X | 08-09/11 | FA84X* | FA84R* | FA84SV* | MD6006D* | 340 | 340G | | |
| FL 250 Odyssey | 77-84 | N/A | N/A | | | FA40 | N/A | | |
| FL 250 Odyssey Handbrake | 77-84 | | | | | 306 | 306G | | |
| TRX 300 (2WD) Fourtrax | 88-00 | 345* | 345G* | | | 315 | 315G | | |
| TRX 300 FW Fourtrax (4WD) | 88-00 | 347* | 347G* | | | 315 | 315G | | |
| TRX 300 EX Fourtrax | 93-08 | FA84X* | FA84R* | FA84SV* | MD6006D* | FA84X | FA84R | FA84SV | MD6064D |
| TRX 300 X | 09-11 | FA84X* | FA84R* | FA84SV* | MD6006D* | FA84X | FA84R | FA84SV | MD6064D |
| FL 350 R Odyssey | 85-87 | 339* | 339G* | | | FA111X | FA111R | | N/A |
| TRX 350/TRX 350D Fourtrax/Foreman | 86-89 | 342* | 342G* | | | 343 | 343G | | |
| TRX 350 TE Fourtrax Rancher ES/FE Fourtrax Rancher 4x4 ES | 00-06 | 347* | 347G* | | | 351 | 351G | | |
| TRX 350 TM Fourtrax Rancher/FM Fourtrax Rancher 4x4 | 00-06 | 347* | 347G* | | | 351 | 351G | | |
| FL 400 R Pilot | 89-90 | 339* | 339G* | | | FA111X | FA111R | | MD6144D |
| TRX 400 EX Fourtrax | 99-00 | FA84X* | FA84R* | FA84SV* | MD6006D* | FA84X | FA84R | FA84SV | MD6164D |
| TRX 400 EX Sportrax | 01-08 | FA84X* | FA84R* | FA84SV* | MD6006D* | FA84X | FA84R | FA84SV | MD6164D |
| TRX 400 FW Fourtrax Foreman | 95-01/03 | 347* | 347G* | | | 351 | 351G | | |
| TRX 400 FM Fourtrax Foreman | 02 | 347* | 347G* | | | 351 | 351G | | |
| TRX 400 FA Fourtrax Rancher AT | 04-07 | 347* | 347G* | | | 351 | 351G | | |
| TRX 400 FGA Fourtrax Rancher AT Gpscape | 04-07 | 347* | 347G* | | | 351 | 351G | | |
| TRX 400 X | 09-11 | FA84X* | FA84R* | FA84SV* | MD6006D* | FA84X | FA84R | FA84SV | MD6164D |
| TRX 420 TM7/TM8/TM9 Fourtrax Rancher | 07-11 | FA84X* | FA84R* | FA84SV | MD6302D* | 351 | 351G | | |
| TRX 420 TE Fourtrax Rancher ES | 07-11 | FA84X* | FA84R* | FA84SV | MD6302D* | 351 | 351G | | |
| TRX 420 FPA Power Steering Fourtrax Rancher AT | 09-11 | FA84X* | FA84R* | FA84SV* | MD6302D* | FA373X | FA373R | FA373SV | MD6217D |
| TRX 420 FA Fourtrax Rancher AT | 09-11 | FA84X* | FA84R* | FA84SV* | MD6302D* | FA373X | FA373R | FA373SV | MD6217D |
| TRX 420 FPE Fourtrax Rancher 4x4 ES/EPS | 09-11 | FA84X* | FA84R* | FA84SV* | MD6302D* | 351 | 351G | | |
| TRX 420 FE Fourtrax Rancher 4x4/ES | 07-11 | FA84X* | FA84R* | FA84SV* | MD6302D* | 351 | 351G | | |
| TRX 420 FPM Fourtrax Rancher 4x4 PS | 09-11 | FA84X* | FA84R* | FA84SV* | MD6302D* | 351 | 351G | | |
| TRX 420 FM Fourtrax Rancher 4x4 | 07-11 | FA84X* | FA84R* | FA84SV* | MD6302D* | 351 | 351G | | |
| TRX 450 ES Fourtrax Foreman ES98-01 | 347S* | 347SG* | | | 351 | 351G | | | |
| TRX 450 S Fourtrax Foreman S | 98-01 | 347S* | 347SG* | | | 351 | 351G | | |
| TRX 450 FE Fourtrax Foreman ES | 02-04 | 347* | 347G* | | | 351 | 351G | | |
| TRX 450 FM Fourtrax Foreman S | 02-04 | 347* | 347G* | | | 351 | 351G | | |
| TRX 450 R/ER | 04-11 | FA185X* | FA185R* | MXS185* | MD6006D* | FA373X | FA373R | FA373SV | MD6233D |
| TRX 500 FA Fourtrax Rubicon | 01-04 | 347* | 347G* | | | 343 | 343G | | |
| TRX 500 FGA Fourtrax Foreman Rubicon Gpscape | 04 | 347* | 347G* | | | 343 | 343G | | |
| TRX 500 FA/FAA Fourtrax Foreman Rubicon | 05-09/11 | FA410X* | FA410R* | FA410SV* | MD6251D* | 343 | 343G | | |
| TRX 500 FGA Fourtrax Foreman Rubicon Gpscape | 05-08 | FA410X* | FA410R* | FA410SV* | MD6251D* | 343 | 343G | | |
| TRX 500 FE/FA Fourtrax Foreman 4x4/ES | 05-08 | FA410X* | FA410R* | FA410SV* | MD6251D* | 343 | 343G | | |
| TRX 500 FMA Fourtrax Foreman 4x4 | 05-10 | FA410X* | FA410R* | FA410SV* | MD6251D* | 343 | 343G | | |
| TRX 500 FPA9 Fourtrax Foreman Rubicon Gpscape with EPS | 09/11 | FA410X* | FA410R* | FA410SV* | MD6251D* | 343 | 343G | | |
| TRX 500 FPE Fourtrax Foreman 4x4 ES/EPS | 08-10 | FA410X* | FA410R* | FA410SV* | MD6251D* | 343 | 343G | | |
| TRX 500 FE8/FE9 Fourtrax Foreman 4x4 EPS | 08-09 | FA410X* | FA410R* | FA410SV* | MD6251D* | 343 | 343G | | |
| TRX 500 FPM8/FPM9 Fourtrax Foreman 4x4/EPS | 08-09 | FA410X* | FA410R* | FA410SV* | MD6251D* | 343 | 343G | | |
| TRX 500 TM5/TM6 Fourtrax Foreman 2x4 | 05-06 | FA410X* | FA410R* | FA410SV* | MD6251D* | 343 | 343G | | |
| TRX 650 FA Rincon | 03-05 | 347* | 347G* | | | FA373X | FA373R | FA373SV | MD6217D |
| TRX 650 FGA Fourtrax Rincon Gpscape | 04-05 | 347* | 347G* | | | FA373X | FA373R | FA373SV | MD6217D |
| TRX 680 FGA6/FGA7/FGA8/FGA9 Fourtrax Rincon Gpscape | 06-09 | FA410X* | FA410R* | FA410SV* | MD6251D* | FA373X | FA373R | FA373SV | MD6217D |
| TRX 680 FA Fourtrax Rincon | 06-11 | FA410X* | FA410R* | FA410SV* | MD6251D* | FA373X | FA373R | FA373SV | MD6217D |
| TRX 700 XX | 08-11 | FA185X* | FA185R* | MXS185* | MD6006D* | FA410X | FA410R | | MD6331D |

HONDA SIDE X SIDE

| | | | | | | | | | |
|-----------------|-------|-------|--------|--|---------|--------|--|--|---------|
| MUV 700 Big Red | Left | 09-11 | FA476X | | MD6341D | FA478X | | | MD6341D |
| | Right | | FA477X | | MD6341D | FA479X | | | MD6341D |

All part numbers, prefixes and suffixes shown in this catalog are unique and form a registered copyright as the property of EBC Brakes and its UK trademark owners

* symbol after part# = 2 pieces reqd.
i.e. 2 pad sets or 2 contour rotors

PAD/SHOE/ROTOR Applications for ATV

ATV

KAWASAKI

THREE WHEELERS

| | | | FRONT | | | | REAR | | | |
|--------------------------|-------|--|----------------|-----------|-------------|----------------|----------------|-----------|-------------|----------------|
| | | | SPORT CARBON | LONG LIFE | SV SERIES | STANDARD ROTOR | SPORT CARBON | LONG LIFE | SV SERIES | STANDARD ROTOR |
| | | | *X* PADS/SHOES | SINTERED | SEVERE DUTY | WITHOUT PADS | *X* PADS/SHOES | SINTERED | SEVERE DUTY | WITHOUT PADS |
| KLT 110 A1/A2/A3 | 84-86 | | 603 | 603G | | | 602 | 602G | | |
| KLT 160 A1 | 85 | | 603 | 603G | | | 602 | 602G | | |
| KLT 185 A1/A2 | 86-87 | | 603 | 603G | | | 602 | 602G | | |
| KLT 200 A1-A4/A4A | 81-83 | | 603 | 603G | | | 705 | 705G | | |
| KLT 200 B1 | 83 | | 603 | 603G | | | 705 | 705G | | |
| KLT 200 C1/C2 | 83-84 | | 603 | 603G | | | 705 | 705G | | |
| KLT 250 A1/A2 | 82-83 | | 603 | 603G | | | 705 | 705G | | |
| KLT 250 C1/C2/C3 Prairie | 83-85 | | 603 | 603G | | | 705 | 705G | | |
| KLT 250 P1 Police | 84 | | 603 | 603G | | | 705 | 705G | | |
| KXT 250 A1 Tecate | 84 | | 705 | 705G | | | FA83X | FA83R | | N/A |
| KXT 250 A2 Tecate | 85 | | FA67X | FA67R | FA67SV | N/A | FA67X | FA67R | FA67SV | N/A |
| KXT 250 B1 Tecate | 86 | | FA67X | FA67R | FA67SV | MD6138D | FA67X | FA67R | FA67SV | MD6138D |
| KXT 250 B2 Tecate | 87 | | FA67X | FA67R | FA67SV | MD6138D | FA84X | FA84R | FA84SV | MD6134D |

KAWASAKI FOUR WHEELERS

| | | | | | | | | | | |
|--|-------|--|---------|---------|----------|----------|--------|--------|---------|---------|
| KSF 50 A1/A2/A3 (KFX 50) | 03-05 | | 614* | 614G* | | | 604 | 604G | | |
| KXF 50 (KSF 50 B7F/B8F/B9F) | 07-09 | | 338* | 338G* | | | FA305 | FA305R | | MD6267D |
| KSF 80 A1/A2/A3/A6F (KFX 80) | 03-06 | | 614* | 614G* | | | 618 | 618G | | |
| KXF 90 (KSF 90 A7F/A8F/A9F/AAF/ABF) | 07-11 | | 338* | 338G* | | | FA305 | FA305R | | MD6267D |
| KLF 110 A1/A2/B1/B2 Mojave | 87-88 | | 603* | 603G* | | | 602 | 602G | | |
| KLF 185 A1/A1A Bayou | 85 | | NONE | NONE | | | 706 | 706G | | |
| KLF 185 A2/A3/A4 Bayou | 86-88 | | 705* | 705G* | | | 706 | 706G | | |
| KLF 220 A1-A15 Bayou | 88-02 | | 705* | 705G* | | | 706 | 706G | | |
| KLF 250 A1/A2/A3/A6F/A7F/A8F/A9F/AAF/ABF Bayou | 03-11 | | 705* | 705G* | | | 706 | 706G | | |
| KSF 250 A1-A18 Mojave | 87-04 | | FA128X* | FA128R* | FA128SV* | MD6133D* | FA84X | FA84R | FA84SV | MD6132D |
| KXF 250 A1/A2 Tecate | 87-88 | | FA128X* | FA128R* | FA128SV* | MD6133D* | FA84X | FA84R | FA84SV | MD6136D |
| KAF 300 A1/B1/B2 (Mule 500) | 92-95 | | 628* | 628G* | | | 718* | N/A | | |
| KAF 300 C1-C7 (Mule 550) | 97-03 | | 628* | 628G* | | | 718* | N/A | | |
| KAF 300 D1/D2 (Mule 520) | | | 628* | 628G* | | | 718* | N/A | | |
| KEF 300 A1/A2/A3/A4/A5/A6 Lakota | 95-00 | | FA128X* | FA128R* | FA128SV* | MD6133D* | FA84X | FA84R | FA84SV | MD6132D |
| KEF 300 B1/B2/B3 Lakota Sport | 01-03 | | FA128X* | FA128R* | FA128SV* | MD6133D* | FA84X | FA84R | FA84SV | MD6132D |
| KLF 300 A1/A2 Bayou | 86-87 | | 717* | 717G* | | | 706* | 706G* | | |
| KLF 300 B1-17 Bayou | 88-04 | | FA67X* | FA67R* | FA67SV* | MD6133D* | 706* | 706G* | | |
| KLF 300 C1-C17 Bayou (4x4) Left | 89-05 | | FA165X | FA165R | FA165SV | MD6131D | 710 | 710G | | |
| KLF 300 C1-C17 Bayou (4x4) Right | 89-05 | | FA135X | FA135R | FA135SV | MD6131D | | | | |
| KVF 300 A1-A4 (4 x 4) Prairie | 99-02 | | FA54X* | FA54R* | FA54SV* | MD6131D* | 710 | 710G | | |
| KVF 300 B1-B4 (2 x 4) Prairie | 99-02 | | FA54X* | FA54R* | FA54SV* | MD6131D* | 710 | 710G | | |
| KVF 360 A1/A2/A3/A6F/A7F/A8F/A9F/AAF/ABF | | | | | | | | | | |
| Prairie 360 4x4 | 03-11 | | FA54X* | FA54R* | FA54SV* | MD6188D* | N/A | | | |
| KVF 360 B1/B2/B3/B6F/B7F/B8F/B9F Prairie 360 | 03-09 | | FA54X* | FA54R* | FA54SV* | MD6188D* | N/A | | | |
| KVF 360 C1/C2/C3/C6F/C7F/C8F/C9F/CAF/CBF Prairie | | | | | | | | | | |
| 360 4x4 Hardwoods Green HD | 03-11 | | FA54X* | FA54R* | FA54SV* | MD6188D* | N/A | | | |
| KLF 400 B1-B7 Bayou (4 x 4) Left | 93-99 | | FA165X | FA165R | FA165SV | MD6131D | 710 | 710G | | |
| Right | | | FA135X | FA135R | FA135SV | MD6131D | | | | |
| KSF 400 A1/A2/A3 (KFX 400) | 03-05 | | FA84X* | FA84R* | FA84SV* | MD6210D* | FA137X | FA137R | FA137SV | MD6211D |
| KVF 400 A1/A2/B1 Prairie | 97-98 | | FA54X* | FA54R* | FA54SV* | MD6131D* | 710 | 710G | | |
| KVF 400 C1-C4 (4 x 4) Prairie | 99-02 | | FA54X* | FA54R* | FA54SV* | MD6131D* | 710 | 710G | | |
| KVF 400 D1-D4 (2 x 4) Prairie | 99-02 | | FA54X* | FA54R* | FA54SV* | MD6131D* | 710 | 710G | | |
| KFX 450 R (KSF 450 B8F/B9F /BAF/BBF) | 08-11 | | | FA342R | FA342SV | MD6137D | FA84X | FA84R | FA84SV | MD6304C |
| KVF 650 A1/A2/B2 Prairie | 02-03 | | | FA342R | FA342SV | MD6188D | N/A | | | |
| Right | | | | FA349R | FA349SV | MD6188D | | | | |
| KVF 650 D1/D6F/D7F/D8F/D9F | 05-11 | | | FA342R | FA342SV | MD6188D | N/A | | | |
| DAF/DBF Brute Force 4x4 | | | | FA349R | FA349SV | MD6188D | | | | |
| KVF 650 E1/E6F/E7F/E8F/E9F | 05-09 | | | FA342R | FA342SV | MD6188D | N/A | | | |
| Brute Force 4x4 Hardwoods Green HD | | | | FA349R | FA349SV | MD6188D | | | | |
| KVF 650 F6F/F7F/F8F/F9F/FAF | 06-11 | | FA165X | FA165R | FA165SV | MD6188D | N/A | | | |
| /FBF Brute Force 650 4x4i | | | FA135X | FA135R | FA135SV | MD6188D | | | | |

▲ Supersmoto oversize disc conversion available for this disc - see page 335.

All part numbers, prefixes and suffixes shown in this catalog are unique and form a registered copyright as the property of EBC Brakes and its UK trademark owners

* symbol after part# = 2 pieces reqd. i.e. 2 pad sets or 2 contour rotors

PAD/SHOE/ROTOR Applications for ATV

ATV

KAWASAKI FOUR WHEELERS CONTD. Year

| | | | FRONT | | | | REAR | | | |
|--|-------|----------|----------------|-----------|-------------|----------------|----------------|-----------|-------------|----------------|
| | | | SPORT CARBON | LONG LIFE | SV SERIES | STANDARD ROTOR | SPORT CARBON | LONG LIFE | SV SERIES | STANDARD ROTOR |
| | | | *X* PADS/SHOES | SINTERED | SEVERE DUTY | WITHOUT PADS | *X* PADS/SHOES | SINTERED | SEVERE DUTY | WITHOUT PADS |
| | | | | *R* PADS | *SV* PADS | | | *R* PADS | *SV* PADS | |
| KV 650 G6F/G7F/G8F/G9F/GAF | | | | | | | | | | |
| Brute Force 650 4x4i | Left | 06-10 | FA165X | FA165R | FA165SV | MD6188D | N/A | | | |
| Hardwoods Green HD | Right | | FA135X | FA135R | FA135SV | MD6188D | | | | |
| KVF 650 H7F/H8F | | | | | | | | | | |
| Brute Force 4X4i | Right | | FA165X | FA165R | FA165SV | MD6188D | N/A | | | |
| KSV 700 A1/B1 | | | | | | | | | | |
| (KFX 700 V Force) | Left | 04 | | FA342R | FA342SV | MD6137D | N/A | | | |
| | Right | | | FA349R | FA349SV | MD6137D | | | | |
| KVF 700 A2/A6F/A7F/A8F/A9F | Left | 04-09 | | FA342R | FA342SV | MD6188D | N/A | | | |
| (Prairie 700 4x4) (KFX700) | Right | | | FA349R | FA349SV | MD6188D | N/A | | | |
| KVF 700 B2/B6F/C6F/B7F | | | | | | | | | | |
| /B8F/B9F(KFX 700 4x4) | Left | 04-09 | | FA342R | FA342SV | MD6188D | N/A | | | |
| | Right | | | FA349R | FA349SV | MD6188D | | | | |
| KVF 700 D1/D6F | Left | 05-06 | | FA342R | FA342SV | MD6188D | N/A | | | |
| Team Green Special Edition | Right | | | FA349R | FA349SV | MD6188D | | | | |
| KVF 750 A1/A6F/A7F | | | | | | | | | | |
| Brute Force 750 4x4i | Left | 05-07 | FA165X | FA165R | FA165SV | MD6188D | N/A | | | |
| | Right | | FA135X | FA135R | FA135SV | MD6188D | | | | |
| KVF 750 B1/E8F/E9F Brute | Left | 05/08-09 | FA165X | FA165R | FA165SV | MD6188D | N/A | | | |
| Force 750 4X4i Hardwoods Green HD | Right | | FA135X | FA135R | FA135SV | MD6188D | | | | |
| KVF 750 B6F/B7F/B7FA | | | | | | | | | | |
| Brute Force 750 4x4i | Left | 06-07 | FA165X | FA165R | FA165SV | MD6188D | N/A | | | |
| | Right | | FA135X | FA135R | FA135SV | MD6188D | | | | |
| KVF 750 C6F/C7F/D8F/D9F/DAF | Left | 05-11 | FA165X | FA165R | FA165SV | MD6188D | N/A | | | |
| /DBF Brute Force 750 4x4i | Right | | FA135X | FA135R | FA135SV | MD6188D | | | | |
| KVF 750 E8FA/E9FA/EAFA | | | | | | | | | | |
| Brute Force 750 4x4i NRA Outdoors | Left | 08-10 | FA165X | FA165R | FA165SV | MD6188D | N/A | | | |
| | Right | | FA135X | FA135R | FA135SV | MD6188D | | | | |
| KVF 750 F8F/FAF/BBF | Left | 08/10-11 | FA165X | FA165R | FA165SV | MD6188D | N/A | | | |
| Brute Force 750 4x4i | Right | | FA135X | FA135R | FA135SV | MD6188D | | | | |
| KAWASAKI SIDE X SIDE | | | | | | | | | | |
| KAF 400 B1 (Mule 600) | | 05 | 718* | | | | 718* | | | |
| KAF 400 A1/C1 (Mule 610 4x4) | | 05 | 718* | | | | 718* | | | |
| KAF 400 A6F/A7F/A8F/A9F/AAF/ABF (Mule 610 4x4) | | 06-11 | 718* | | | | 718* | | | |
| KAF 400 B6F/B7F/B8F/B9F/BAF/BBF (Mule 600) | | 06-11 | 718* | | | | 718* | | | |
| KAF 400 C6F/C7F/C8F/C9F | | | | | | | | | | |
| (Mule 610 4x4 Hardwoods Green HD) | | 06-09 | 718* | | | | 718* | | | |
| KAF 400 DAF/DBF (Mule 610 4X4 XC) | | 10-11 | 718* | N/A | | | 718* | N/A | | |
| KAF 400 CAF/EBF (Mule 610 4X4 XC Realtree APG HD) | | 10-11 | 718* | N/A | | | 718* | N/A | | |
| KAF 450 B1 (Mule 1000) | | | 719* | N/A | | | 720* | N/A | | |
| KAF 540 C1 (Mule 2010) | | | 719* | N/A | | | 720* | N/A | | |
| KAF 540 D1 (Mule 2020) | | | 719* | N/A | | | 720* | N/A | | |
| KAF 540 E1 (Mule 2030) | | | 719* | N/A | | | 720* | N/A | | |
| KAF 620 A1-A6 (Mule 2510) | | | 719* | N/A | | | 720* | N/A | | |
| KAF 620 B1-B6 (Mule 2520) | | | 719* | N/A | | | 720* | N/A | | |
| KAF 620 C1-C6 (Mule 2500) | | | 719* | N/A | | | 720* | N/A | | |
| KAF 620 E1/E2/E3/E4/E5 Mule 3010 | | | 720* | N/A | | | 719* | N/A | | |
| KAF 620 F1/F2/F3 Mule 3020 | | | 720* | N/A | | | 719* | N/A | | |
| KAF 620 G1/G2/G3/G4/G5 Mule 3000 | | | 720* | N/A | | | 719* | N/A | | |
| KAF 620 H1/H2/H3 Mule 3010 4x4 | | 03-05 | 719* | N/A | | | 720* | N/A | | |
| KAF 620 K1/K6F/K7F Mule 3010 Trans 4x4 | | 05-07 | 719* | | | | 720* | | | |
| KAF 620 J1 Mule 3010 Trans 4x4 | | 05 | 719* | | | | 720* | | | |
| KAF 620 M9F/MAF/MBF (Mule 4010 4x4) | | 09-11 | 719* | | | | 720* | | | |
| KAF 620 N9F (Mule 4010 4x4 Hardwoods Green) | | 09 | 719* | | | | 720* | | | |
| KAF 620 P9F/PAF (Mule 4000) | | 09-10 | 719* | | | | 720* | | | |
| KAF 620 R9F/RAF/RBF (Mule 4010 Trans 4x4) | | 09-11 | 719* | | | | 720* | | | |
| KAF 620 S9F/SAF (Mule 4010 Trans 4x4 Hardwoods Green HD) | | 09-10 | 719* | | | | 720* | | | |
| KVF 650 F9F Brute Force 4x4i | | | | | | | | | | |
| | Left | 08 | FA165X | FA165R | FA165SV | MD6188D | N/A | | | |
| | Right | | FA135X | FA135R | FA135SV | MD6188D | | | | |
| KRF 750 A8F/B8F | | | | | | | | | | |
| Teryx 4x4 | Left | 08 | FA165X | FA165R | FA165SV | MD6325D | N/A | | | |
| | Right | | FA135X | FA135R | FA135SV | MD6325D | | | | |

All part numbers, prefixes and suffixes shown in this catalog are unique and form a registered copyright as the property of EBC Brakes and its UK trademark owners

* symbol after part# = 2 pieces reqd.
i.e. 2 pad sets or 2 contour rotors

PAD/SHOE/ROTOR Applications for ATV

ATV

KAWASAKI SIDE X SIDE CONTD.

| Year | Year | FRONT | | | | REAR | | | |
|--|-------|----------------|--------------------|-----------------------|----------------|----------------|--------------------|-----------------------|----------------|
| | | SPORT CARBON | LONG LIFE SINTERED | SV SERIES SEVERE DUTY | STANDARD ROTOR | SPORT CARBON | LONG LIFE SINTERED | SV SERIES SEVERE DUTY | STANDARD ROTOR |
| | | *X* PADS/SHOES | *R* PADS | *SV* PADS | WITHOUT PADS | *X* PADS/SHOES | *R* PADS | *SV* PADS | WITHOUT PADS |
| KRF 750 C8F/D8F | Left | 08 | FA165X | FA165R | FA165SV | MD6325D | N/A | | |
| Teryx 4x4 LE | Right | | FA135X | FA135R | FA135SV | MD6325D | | | |
| KRF 750 F8F | Left | 08 | FA165X | FA165R | FA165SV | MD6325D | N/A | | |
| Teryx 4x4 NRA OUTDOORS | Right | | FA135X | FA135R | FA135SV | MD6325D | | | |
| KRF 750 G9F/NAF/NBF | Left | 09-11 | FA165X | FA165R | FA165SV | MD6325D | N/A | | |
| Teryx 750 Fi 4x4 | Right | | FA135X | FA135R | FA135SV | MD6325D | | | |
| KRF 750 J9FA/K9F/PAF/RAF | Left | 09-11 | FA165X | FA165R | FA165SV | MD6325D | N/A | | |
| /PBF/RBF Teryx 750 Fi 4X4 LE | Right | | FA135X | FA135R | FA135SV | MD6325D | | | |
| KRF 750 L9F | Left | 09 | FA165X | FA165R | FA165SV | MD6325D | N/A | | |
| Teryx 750Fi 4x4 LE Sport | Right | | FA135X | FA135R | FA135SV | MD6325D | | | |
| KRF 750 M9F | Left | 09 | FA165X | FA165R | FA165SV | MD6325D | N/A | | |
| Teryx 750 Fi 4X4 NRA Outdoors | Right | | FA135X | FA135R | FA135SV | MD6325D | | | |
| KRF 750 SAF/SAFA/SBF/SBFA | Left | 10-11 | FA165X | FA165R | FA165SV | MD6325D | N/A | | |
| Teryx 750 Fi 4X4 Sport LE Sport | Right | | FA135X | FA135R | FA135SV | MD6325D | | | |
| KRF 750 TAF | Left | 10 | FA165X | FA165R | FA165SV | MD6325D | N/A | | |
| Teryx 750 Fi 4X4 SGO | Right | | FA135X | FA135R | FA135SV | MD6325D | | | |
| KAF 950 A1/A2/A3 (Mule 2510 Diesel) | | | 719* | N/A | | | 720* | N/A | |
| KAF 950 B1/B2/B3 (Mule 3010 Diesel) | | 03-05 | 719* | N/A | | | 720* | N/A | |
| KAF 950 D8F Mule 3010 Diesel 4x4 | | 08 | 719* | N/A | | | 720* | N/A | |
| KAF 950 E8F Mule 3010 Trans 4x4 Diesel | | 08 | 719* | N/A | | | 720* | N/A | |
| KAF 950 F9F/FAF/FBF (Mule 4010 Diesel 4x4) | | 09-11 | 719* | | | | 720* | | |
| KAF 950 G9F/GAF/GBF (Mule 4010 Trans 4x4 Diesel) | | 09-11 | 719* | | | | 720* | | |

SUZUKI THREE WHEELERS

| | | | | | | | | | |
|---------------|--|-------|------|------|--|--|-----|------|--|
| ALT 50 D/E | | 83-84 | NONE | NONE | | | 613 | 613G | |
| ALT 125 D | | 83 | NONE | NONE | | | 621 | 621G | |
| ALT 125 E/F/G | | 84-86 | NONE | NONE | | | 605 | 605G | |
| ALT 185 F | | 85 | NONE | NONE | | | 605 | 605G | |

SUZUKI FOUR WHEELERS

| | | | | | | | | | | |
|--|--|----------|---------|---------|----------|----------|--------|---------|---------|---------|
| LT 50 E/F/G/H | | 84-87 | NONE | NONE | | | 613 | 613G | | |
| LT-A 50 K2/K3/K4/K5 QuadSport | | 02-05 | 614* | 614G* | | | 604 | 604G | | |
| LTZ 50 K6/K7/K8/K9/ZK9 QuadSport | | 06-11 | 614* | 614G* | | | 604 | 604G | | |
| LT 80 H/J/K/L/M/N/P/R/S/T/V/W/X/Y/K1-K6 | | 87-06 | 614* | 614G* | | | 618 | 618G | | |
| LT-Z 90 K7/K8/K9/ZK9QuadSport | | 07-11 | 604* | 604G* | | | 618 | 618G | | |
| LT 125 D | | 83 | NONE | NONE | | | 621 | 621G | | |
| LT 125 E | | 84 | NONE | NONE | | | 605 | 605G | | |
| LT 125 F/G/H | | 85-87 | NONE | NONE | | | 621 | 621G | | |
| LT 160 EK/EL/EM/EN | | 89-92 | 624* | 624G* | | | 605 | 605G | | |
| LT-F 160 M/N/P/R/S/T/V/W/X/Y/K1/K3 | | 91-01/03 | 624* | 624G* | | | 605 | 605G | | |
| LT 160 K3/K4 QuadSport | | 03-04 | 624* | 624G* | | | 605 | 605G | | |
| LT 185 E/F/G/H | | 84-87 | NONE | NONE | | | 605 | 605G | | |
| LT 230 GEF/GEG | | 85-86 | 625* | 625G* | | | 605 | 605G | | |
| LT 230 EH Early axle 64710 22A00 | | 86 | FA128X* | FA128R* | FA128SV* | MD6020D* | FA84X | FA84R | FA84SV | MD6021D |
| LT 230 EH Late axle 64710 22A01 | | 86 | FA128X* | FA128R* | FA128SV* | MD6020D* | FA84X | FA84R | FA84SV | MD6063D |
| LT 230 EJ/EK/EL/EM/EN/EP | | 87-93 | FA128X* | FA128R* | FA128SV* | MD6020D* | FA84X | FA84R | FA84SV | MD6063D |
| LT 230 SF/SG | | 85-86 | FA128X* | FA128R* | FA128SV* | MD6020D* | N/A | FA84/3R | | MD6021D |
| LT 230 SH up to F. no. 2108531 | | 87 | FA128X* | FA128R* | FA128SV* | MD6020D* | N/A | FA84/3R | | MD6021D |
| LT 230 SH from F. no. 2108532/SJ | | 87-88 | FA128X* | FA128R* | FA128SV* | MD6020D* | N/A | FA84/3R | | MD6063D |
| LT-F 230 G/H | | 86-87 | 625* | 625G* | | | 605 | 605G | | |
| LT 250 EFF/EFG | | 85-86 | 625* | 625G* | | | 634 | 634G | | |
| LT-F 250 J/K/L/M/N/P/R/S/T/V/W/X/Y/K1 250 Quadrunner | | 88-01 | 628* | 628G* | | | 629 | 629G | | |
| LT 250 SK/SL | | 89-90 | FA128X* | FA128R* | FA128SV* | MD6020D* | FA84X | FA84R | FA84SV | MD6063D |
| LT 250 RF/RG | | 85-86 | FA128X* | FA128R* | FA128SV* | MD6020D* | N/A | FA84/3R | | MD6062D |
| LT 250 RH/RJ/RK/RL/RM/RN | | 87-92 | FA128X* | FA128R* | FA128SV* | MD6020D* | FA137X | FA137R | FA137SV | MD6021D |
| LT-F 250 FX/FY/FK1/FK2 Quadrunner | | 99-02 | 628* | 628G* | | | 629 | 629G | | |
| LT-F 250 K2/K3/K4/K5/K6/K7/K8/K9 Ozark | | 02-09 | FA54X* | FA54R* | FA54SV* | MD6207D* | 636 | 636G | | |
| LT-Z 250 K4/K5/K6/K7/K8/K9/ QuadSport | | 04-11 | FA84X* | FA84R* | FA84SV* | MD6207D* | 636 | 636G | | |

Supermoto oversize disc conversion available for this disc - see page 335.

All part numbers, prefixes and suffixes shown in this catalog are unique and form a registered copyright as the property of EBC Brakes and its UK trademark owners

* symbol after part# = 2 pieces reqd. i.e. 2 pad sets or 2 contour rotors

PAD/SHOE/ROTOR Applications for ATV

ATV

SUZUKI FOUR WHEELERS CONTD.

| | | FRONT | | | | REAR | | | |
|--|--------------|-----------------|-----------|-------------|-------------------|-----------------|-----------|-------------|-------------------|
| | | SPORT CARBON | LONG LIFE | SV SERIES | STANDARD ROTOR | SPORT CARBON | LONG LIFE | SV SERIES | STANDARD ROTOR |
| | | | SINTERED | SEVERE DUTY | | | SINTERED | SEVERE DUTY | |
| | | | *R* PADS | *SV* PADS | | | *R* PADS | *SV* PADS | |
| *X* PADS/SHOES | WITHOUT PADS | | | | *X* PADS/SHOES | WITHOUT PADS | | | |
| LT-4 WD H/J/K/L/M/N/P/R/S/T/V 250 Quadrunner | 87-97 | 628* | 628G* | | | 629 | 629G | | |
| LT-F 4WDV/W Quadrunner 250 Quadrunner | 97-98 | 628* | 628G* | | | 629 | 629G | | |
| LT-F 4WDV/W Quadrunner 4WD (250cc) | 97-98 | FA54X* | FA54R* | FA54SV* | MD6195D* | 606 | 606G | | |
| LT 300 EH/EJ/EK | 87-89 | 625* | 625G* | | | 634 | 634G | | |
| LT-F 4 WD XM/N/P/R/S/T/V/W King Quad 300 | 91-98 | 633* | 633G* | | | 634 | 634G | | |
| LT-F 300 FX/FY/FK1 King Quad | 99-01 | 633* | 633G* | | | 634 | 634G | | |
| LT-F 300 FK2 King Quad | | | | | | 634 | 634G | | |
| | Left | FA165X | FA165R | FA165SV | MD6206D* | | | | |
| | Right | FA135X | FA135R | FA135SV | | | | | |
| LTA 400 FK8/FK9 | | | | | | 606 | 606G | | |
| | Left | FA413X | FA413R | FA413SV | MD6195D | | | | |
| King Quad 400 AS | Right | FA414X | FA414R | FA414SV | MD6195D | | | | |
| LTA 400 FCK8/9 King Quad | Left | FA413X | FA413R | FA413SV | MD6195D | 606 | 606G | | |
| | Right | FA414X | FA414R | FA414SV | MD6195D | | | | |
| LTA 400 FQK9 King Quad | Left | FA413X | FA413R | FA413SV | MD6195D | 606 | 606G | | |
| | Right | FA414X | FA414R | FA414SV | MD6195D | | | | |
| 400 AS Anniversary Edition | Right | FA414X | FA414R | FA414SV | MD6195D | | | | |
| LT-F 400 FK8/FK9FL0 | Left | FA413X | FA413R | FA413SV | MD6195D | 606 | 606G | | |
| | Right | FA414X | FA414R | FA414SV | MD6195D | | | | |
| King Quad 400 FS | Right | FA414X | FA414R | FA414SV | MD6195D | | | | |
| LT-F 400 FCK8/FCK9 | Left | FA413X | FA413R | FA413SV | MD6195D | 606 | 606G | | |
| | Right | FA414X | FA414R | FA414SV | MD6195D | | | | |
| King Quad 400 FS Camo | Right | FA414X | FA414R | FA414SV | MD6195D | | | | |
| LT-F 400 FQK9 King Quad | Left | FA413X | FA413R | FA413SV | MD6195D | 606 | 606G | | |
| | Right | FA414X | FA414R | 414SV | MD6195D | | | | |
| 400 FS Anniversary Edition | Right | FA414X | FA414R | FA414SV | MD6195D | | | | |
| LT-A 400 FL1 | Left | FA413X | FA413R | FA413SV | MD6195D | 606 | 606G | | |
| King Quad 400 Asi | Right | FA414X | FA414R | FA414SV | MD6195D | | | | |
| LT-A 400 FCL1 | Left | FA413X | FA413R | FA413SV | MD6195D | 606 | 606G | | |
| King Quad 400 Asi Camo | Right | FA414X | FA414R | FA414SV | MD6195D | | | | |
| LT-A 400 FK2/FK3/FK4/FK5/FK6/FCK5/FCK6 | | | | | | | | | |
| /FK7/FK7 Eiger (4WD Auto) | 02-07 | FA54X* | FA54R* | FA54SV* | MD6195D* | 606 | 606G | | |
| LT-A 400 FK8 Kingquad | Left | FA413X | FA413R | FA413SV | MD6195D | 606 | 606G | | |
| | Right | FA414X | FA414R | FA414SV | MD6195D | | | | |
| Auto 4WD | Right | FA414X | FA414R | FA414SV | MD6195D | | | | |
| LT-A 400 K2/K3/K4/K6 Eiger (Auto 2WD) | 02-04/06 | FA54X* | FA54R* | FA54SV* | MD6195D* | 606 | 606G | | |
| LT-F 400 FK2/FK3/FK4/FK5/FCK5/FK6/FCK6 | | | | | | | | | |
| /FK7/FCK7 (Eiger 4WD) | 02-07 | FA54X* | FA54R* | FA54SV* | MD6195D* | 606 | 606G | | |
| LT-F 400 K2 Eiger Manual 2WD | 02 | FA54X* | FA54R* | FA54SV* | MD6195D* | 606 | 606G | | |
| LT-F 400 K3/4/5/6/7 | 03-08 | FA54X* | FA54R* | FA54SV* | MD6195D* | 606 | 606G | | |
| LT-F 400 K8 Manual 2WD | | | | | | 606 | 606G | | |
| | Left | FA413X | FA413R | FA413SV | MD6195D | | | | |
| | Right | FA414X | FA414R | FA414SV | MD6195D | | | | |
| LT-F 400 FL1 | Left | FA413X | FA413R | FA413SV | MD6195D | 606 | 606G | | |
| King Quad 400 FSi | Right | FA414X | FA414R | FA414SV | MD6195D | | | | |
| LT-F 400 FCL1 | Left | FA413X | FA413R | FA413SV | MD6195D | 606 | 606G | | |
| King Quad 400 ASi Camo | Right | FA414X | FA414R | FA414SV | MD6195D | | | | |
| LT-Z 400 K3/K4/K5/K6/K7/K8/K9/ZK9 QuadSport | 03-11 | FA84X* | FA84R* | MXS84* | MD6210D* | FA137X | FA137R | FA137SV | MD6211D |
| LT-A 450 XCK7/XCK8/XCK9 | Left | FA413X | FA413R | FA413SV | MD6261D | N/A | | | N/A |
| | Right | FA414X | FA414R | FA414SV | MD6261D | | | | |
| King Quad 450 AXi Camo | Right | FA414X | FA414R | FA414SV | MD6261D | | | | |
| LT-A 450 XZK8/XZK9 | Left | FA413X | FA413R | FA413SV | MD6261D | N/A | | | N/A |
| | Right | FA414X | FA414R | FA414SV | MD6261D | | | | |
| King Quad 450 AXi Limited | Right | FA414X | FA414R | FA414SV | MD6261D | | | | |
| LT-A 450 XK7/XK8/XK9/XL0 | Left | FA413X | FA413R | FA413SV | MD6261D | N/A | | | N/A |
| | Right | FA414X | FA414R | FA414SV | MD6261D | | | | |
| King Quad 4x4 Axi | Right | FA414X | FA414R | FA414SV | MD6261D | | | | |
| LT-R 450 K6/K7/K8/K9 | Left | FA165X | FA165R | MXS165 | MD6277D | FA137X | FA137R | | MD6278D |
| | Right | FA135X | FA135R | MXS135 | MD6277D | | | | |
| LT-R 450 ZK8/ZK9 | Left | FA165X | FA165R | MXS165 | MD6277D | FA137X | FA137R | | MD6278D |
| | Right | FA135X | FA135R | MXS135 | MD6277D | | | | |
| Quadracer Limited Edition | Right | FA135X | FA135R | MXS135 | MD6277D | | | | |
| LT 500 RH/RJ/RK/RL | 87-90 | FA128X* | FA128R* | FA128SV* | MD6022D* | FA137X | FA137R | FA137SV | MD6023D |
| LT-F 500 FW/FX/FY/FK1/FK2 | Left | FA165X | FA165R | FA165SV | MD6145D | 634 | 634G | | |
| | Right | FA135X | FA135R | FA135SV | MD6145D | | | | |
| Quadracer | Right | FA135X | FA135R | FA135SV | MD6145D | | | | |
| LT-F 500 FK3/FK4/FK5/FK6/FCK5/FCK6 | | | | | | | | | |
| /FK7/FK7 Vinson Quadrunner | 03-07 | FA54X* | FA54R* | FA54SV* | MD6195D* | | FA372R | FA372SV | MD6196D |
| LT-A 500 FY/FK1 Quadmaster | Left | FA165X | FA165R | FA165SV | MD6145D | 634 | 634G | | |
| | Right | FA135X | FA135R | FA135SV | MD6145D | | | | |
| LT-A 500 FK2 Vinson 4WD | 02-07 | FA54X* | FA54R* | FA54SV* | MD6195D* | FA317X | FA317R | FA317SV | MD6196D |

All part numbers, prefixes and suffixes shown in this catalog are unique and form a registered copyright as the property of EBC Brakes and its UK trademark owners

* symbol after part# = 2 pieces reqd.
i.e. 2 pad sets or 2 contour rotors

▲ Supermoto oversize disc conversion available for this disc - see page 335.

**BRAKE
APPLICATIONS**

PAD/SHOE/ROTOR Applications for ATV

ATV

SUZUKI FOUR WHEELERS CONTD.

| Year | FRONT | | | | REAR | | | | |
|--|--------------------------------|----------------------|--------------------------|--------------------------------|--------------------------------|----------------------|--------------------------|--------------------------------|---------|
| | SPORT CARBON *X* PADS/SHOES | LONG LIFE | SV SERIES | STANDARD ROTOR WITHOUT PADS | SPORT CARBON *X* PADS/SHOES | LONG LIFE | SV SERIES | STANDARD ROTOR WITHOUT PADS | |
| | | SINTERED *R* PADS | SEVERE DUTY *SV* PADS | | | SINTERED *R* PADS | SEVERE DUTY *SV* PADS | | |
| LT-A 500 FK3/FK4/FK5/FCK5/FCK6/FK6/FCK7 /FK7 Vinson 4WD | 03-07 | FA54X* | FA54R* | FA54SV* | MD6195D* | | FA372R | FA372SV | MD6196D |
| LT-A 500 XPZK9 King Quad 500 AXi Power Steering Limited | 09 | FA413X | FA413R | FA413SV | MD6355D | N/A | | | |
| LT-A500 XL1 King Quad 500AXi | 11 | FA413X | FA413R | FA413SV | MD6355D | N/A | | | |
| LT-A 500 XPCK9 King Quad 500 AXi Power Steering Camo | 09 | FA413X | FA413R | FA413SV | MD6355D | N/A | | | |
| LT-A500 XCL1 King Quad 500AXi Camo | 11 | FA413X | FA413R | FA413SV | MD6355D | N/A | | | |
| LT-A 500 XPK9/XPL1 King Quad 500 AXi Power Steering | 09-11 | FA413X | FA413R | FA413SV | MD6355D | N/A | | | |
| LT-A 700 XK5/XCK6/XK6 XK7 Kingquad | 05-07 | FA413X | FA413R | FA413SV | MD6261D | N/A | | | N/A |
| LT-V 700 FK4/FK5 Twin Peaks 700 4x4 | 04-05 | | FA342R | FA342SV | MD6188D | N/A | | | N/A |
| LT-A 750 XK8/XK9/XL1 King Quad 750 AXi | 08-11 | FA413X | FA413R | FA413SV | MD6261D | N/A | | | N/A |
| LT-A 750 XCK8/XCK9/XCL1 King Quad 750 AXi Camo | 08-11 | FA413X | FA413R | FA413SV | MD6261D | N/A | | | N/A |
| LT-A 750 XZK8/XZK9 King Quad 750 AXi Limited | 08-09 | FA413X | FA413R | FA413SV | MD6261D | N/A | | | N/A |
| LT-A 750 XRK9 King Quad 750 AXi Rockstar Edition | 09 | FA413X | FA413R | FA413SV | MD6355D | N/A | | | |
| LT-A 750 XPX9/XPL1 King Quad 750 AXi Power Steering | 09-11 | FA413X | FA413R | FA413SV | MD6355D | N/A | | | |
| LT-A 750 XPZX9 King Quad 750 AXi Power Steering Limited | 09 | FA413X | FA413R | FA413SV | MD6355D | N/A | | | |
| LT-A 750 XPCK9/XPCL1 King Quad 750 AXi Power Steering Camo | 09-11 | FA413X | FA413R | FA413SV | MD6355D | N/A | | | |

SUZUKI SIDE X SIDE

| | | | | | | | | | |
|-------------------------|----|------|--|--|--|------|--|--|--|
| QUV 620 FK5 Side x Side | 05 | 719* | | | | 720* | | | |
|-------------------------|----|------|--|--|--|------|--|--|--|

YAMAHA THREE WHEELERS

| | | | | | | | | | |
|--------------------------------|-------|--------|--------|--|---------|--------|--------|--|-----|
| YT 60 L/N (Tri-Zinger) | 84-85 | NONE | NONE | | | 518 | 518G | | |
| YT 125 G/H (Tri Moto) | 80-81 | NONE | NONE | | | N/A | N/A | | N/A |
| YT 125 J/K/L/N (Tri Moto) | 82-85 | NONE | NONE | | | FA21X | FA21R | | N/A |
| YT 175 J/K (Tri Moto) | 82-83 | 503 | 503G | | | FA21X | FA21R | | N/A |
| YTM 200 K/L/N (Tri Moto) | 83-85 | 503 | 503G | | | FA21X | FA21R | | N/A |
| YTM 200 EK/EL (Tri Moto) | 83-84 | 503 | 503G | | | FA21X | FA21R | | N/A |
| YTM 200 ERN (Tri Moto) | 85 | 503 | 503G | | | FA21X | FA21R | | N/A |
| YTM 225 DXK/DXL/DXN (Tri Moto) | 83-85 | 503 | 503G | | | FA21X | FA21R | | N/A |
| YTM 225 DRN/DRS (Tri Moto) | 85-86 | 503 | 503G | | | FA21X | FA21R | | N/A |
| YTZ 250 N/S (Tri Moto) | 85-86 | FA101X | FA101R | | MD6047D | FA101X | FA101R | | N/A |

YAMAHA FOUR WHEELERS

| | | | | | | | | | |
|------------------------------------|-------|------|-------|--|--|-------|-------|--|---------|
| YFM 50 S/T/RV/RW Raptor | 04-07 | 503* | 503G* | | | 527 | 527G | | |
| YF 60 S (Moto 4) | 86 | NONE | NONE | | | 518 | 518G | | |
| YFM 80 N/S (Moto 4) | 85-86 | NONE | NONE | | | 506 | 506G | | |
| YFM 80 T/U | 87-88 | 518* | 518G* | | | 506 | 506G | | |
| YFM 80 D/E/F/G/H/J/K/L/M/N Badger | 92-01 | 503* | 503G* | | | 527 | 527G | | |
| YFM 80 WP/WR/WS/RT/RV/RW/RX Raptor | 02-08 | 503* | 503G* | | | 527 | 527G | | |
| YFM 80 GT/GV/GW/GX Grizzly | 05-08 | 503* | 503G* | | | 527 | 527G | | |
| YFM 90 RY/RZ/RA Raptor | 09-11 | 536* | 536G* | | | FA83X | FA83R | | MD6282D |
| YFM 100 T/U Champ | 87-88 | 518* | 518G* | | | 506 | 506G | | |
| YFM 100 W/A/B Champ | 89-91 | 503* | 503G* | | | 506 | 506G | | |
| YFA1 W/A/B Breeze | 89-91 | 503* | 503G* | | | 506 | 506G | | |

Supermoto oversize disc conversion available for this disc - see page 335.

All part numbers, prefixes and suffixes shown in this catalog are unique and form a registered copyright as the property of EBC Brakes and its UK trademark owners

* symbol after part# = 2 pieces reqd. i.e. 2 pad sets or 2 contour rotors

PAD/SHOE/ROTOR Applications for ATV

ATV

YAMAHA FOUR WHEELERS CONTD.

| Year | FRONT | | | | REAR | | | | |
|---|--------------------------------|-----------|-------------|--------------------------------|--------------------------------|-----------|-------------|--------------------------------|---------|
| | SPORT CARBON *X* PADS/SHOES | LONG LIFE | SV SERIES | STANDARD ROTOR WITHOUT PADS | SPORT CARBON *X* PADS/SHOES | LONG LIFE | SV SERIES | STANDARD ROTOR WITHOUT PADS | |
| | | SINTERED | SEVERE DUTY | | | SINTERED | SEVERE DUTY | | |
| | | *R* PADS | *SV* PADS | | | *R* PADS | *SV* PADS | | |
| YFA1 D/E/F/G/H/J/K/L/M/N/P/R/S Breeze | 92-04 | 503* | 503G* | | 527 | 527G | | | |
| YFM 125 S/GT/GHT/GV/GW/GX/GY/GZ/GA Grizzly | 04-11 | 503* | 503G* | | 527 | 527G | | | |
| YFM 125 RA Raptor | 11 | FA54X* | FA54R* | FA54SV* | MD6054D* | FA84X | FA84R | FA84SV | MD6236D |
| YFM 200 N/DXS/DXT/DXU/D/DXW (Moto 4) | 85-89 | 503* | 503G* | | FA21X | FA21R | FA21SV | N/A | |
| YFS 200 U/W/A/B/D/E/F/G/H/J/K/L/M/N/P Blaster | 88-02 | 503* | 503G* | | FA155X | FA155R | | MD6050D | |
| YFS 200 R/S/T/V Blaster | 03-06 | FA54X* | FA54R* | FA54SV* | MD6054D* | FA84X | FA84R | FA84SV | MD6237D |
| YFM 225 S/T/U (Moto 4) | 86-88 | 503* | 503G* | | FA21X | FA21R | FA21SV | N/A | |
| YFB 250 D/E/F Timberwolf | 92-94 | 503* | 503G* | | 528 | 528G | | | |
| YFB 250 G/H/UH/J/UJ/UK/K | 95-98 | 528* | 528G* | | 528 | 528G | | | |
| YFB 250 FWF/FWG/FWH/FWJ/FWK/FWL /FWM Timberwolf | 94-00 | 528* | 528G* | | 528 | 528G | | | |
| YFM 250 W/A/B | 89-91 | 528* | 528G* | | FA21X | FA21R | FA21SV | N/A | |
| YFM 250 XL/XLC/M/MC Bear Tracker | 99-00 | 528* | 528G* | | 528 | 528G | | | |
| YFM 250 XN/XHN/XP/XHP/XR/XHR/XS Beartracker | 01-04 | FA54X* | FA54R* | FA54SV* | MD6054C* | 528 | 528G | | |
| YFM 250 BT/BV Bruin | 05-06 | FA54X* | FA54R* | FA54SV* | MD6215D* | 532 | 532G | | |
| YFM 250 BW/BX/BY Big Bear | 07-09 | FA54X* | FA54R* | FA54SV* | MD6054D* | 532 | 532G | | |
| YFM 250 RX/RZ/RA Raptor | Left 08-11 | FA443X | FA443R | FA443SV | MD6054D | FA84X | FA84R | FA84SV | MD6236D |
| | Right | FA444X | FA444R | FA444SV | MD6054D | | | | |
| YFM 250 RSPX Special Edition | Left 08 | FA443X | FA443R | FA443SV | MD6054D | FA84X | FA84R | FA84SV | MD6236D |
| | Right | FA444X | FA444R | FA444SV | MD6054D | | | | |
| YFM 250 RSPXC Special Edition Custom | Left 08 | FA443X | FA443R | FA443SV | MD6054D | FA84X | FA84R | FA84SV | MD6236D |
| | Right | FA444X | FA444R | FA444SV | MD6054D | | | | |
| YFM 350 ERT/ERU | 87-88 | 503* | 503G* | | FA21X | FA21R | FA21SV | N/A | |
| YFM 350 ERW/ERA/ERD | 89-92 | 528* | 528G* | | FA21X | FA21R | FA21SV | N/A | |
| YFM 350 ERE/ERF/ERG | 93-95 | 528* | 528G* | | FA21X | FA21R | FA21SV | N/A | |
| YFM 350 FXG/FXH/FXJ/FXK/FXL/FXM/FXN/FXP /FXR/FXS/FXT Wolverine | 95-05 | FA54X* | FA54R* | FA54SV* | MD6123D* | FA84X | FA84R | FA84SV | MD6053D |
| YFM 350 V Wolverine (2WD) | 06 | FA54X* | FA54R* | FA54SV* | MD6215D* | 532 | 532G | | |
| YFM 350 GW/GX/GY/GZ/GAGrizzly 2x4 (2WD) | 07-11 | FA54X* | FA54R* | FA54SV* | MD6215D* | 532 | 532G | | |
| YFM 350 FGIW/FGIX/FGIY/FGIZ/FGIA Grizzly Auto IRS 4x4 | 07-11 | FA54X* | FA54R* | FA54SV* | MD6215D* | N/A | N/A | | |
| YFM 350 FGW/FGX/FGY/FGZ/FGA Grizzly Auto 4x4 | 07-11 | FA54X* | FA54R* | FA54SV* | MD6215D* | 532 | 532G | | |
| YFM 350 FWT/FWU Big Bear | 87-88 | 520* | 520G* | | FA21X | FA21R | FA21SV | N/A | |
| YFM 350 FWW/FWA/FWB/FWD/FWE/FWF/ FWG Big Bear | 89-95 | 524* | 524G* | | FA21X | FA21R | FA21SV | N/A | |
| YFM 350 FWH/FWJ/FWBK Big Bear | 96-98 | 524* | 524G* | | 516 | 516G | | | |
| YFM 350 XT | 87 | FA101X* | FA101R* | | MD6051D* | FA84X | FA84R | N/A | |
| YFM 350 FWBL/LC Big Bear | 99 | FA54X* | FA54R* | FA54SV* | MD6123D* | 516 | 516G | | |
| YFM 350 XU Warrior | 88 | FA101X* | FA101R* | | MD6051D* | FA84X | FA84R | MD6053D | |
| YFM 350 XW Warrior | 89 | FA54X* | FA54R* | FA54SV* | MD6054D* | FA84X | FA84R | FA84SV | MD6053D |
| YFM 350 XA/XB/XD/XE/XF/XG/XH/XJ/XK/XL/XM /XN/XP/XR/XS Warrior | 90-04 | FA54X* | FA54R* | FA54SV* | MD6054D* | FA84X | FA84R | FA84SV | MD6055D |
| YFM 350 UH/UJ/UK | 96-98 | 524* | 524G* | | 516 | 516G | | | |
| YFZ 350 Banshee T/U/W | 87-89 | FA101X* | FA101R* | | MD6051D* | FA84X | FA84R | MD6053D | |
| YFZ 350 A/B/D/E/F/G/H/J/K/L/M/N/P/R/S/T/V Banshee | 90-06 | FA54X* | FA54R* | FA54SV* | MD6054D* | FA84X | FA84R | FA84SV | MD6237D |
| YFM 350 UL/JULC | 99 | FA54X* | FA54R* | FA54SV* | MD6123D* | 516 | 516G | | |
| YFM 350 FAS/FAT/FAV 350 Bruin 4x4 Auto | 04-06 | FA54X* | FA54R* | FA54SV* | MD6215D* | 532 | 532G | | |
| YFM 350 AS/AT/AV 350 Bruin 2x4 Auto | 04-06 | FA54X* | FA54R* | FA54SV* | MD6215D* | 532 | 532G | | |
| YFM 350 RS/RT/RV/RW/RX/RY/RZ/RA Raptor | 04-11 | FA84X* | FA84R* | FA84SV* | MD6054D* | FA84X | FA84R | FA84SV | MD6236D |
| YFM 350 XV/XW/XX/XY Wolverine (2WD) | 06-09 | FA54X* | FA54R* | FA54SV* | MD6215D* | 532 | 532G | | |
| YFP 350 U Terrapro | 88 | 528* | 528G* | | 523* | 523G* | | | |
| YFUITW Pro Hauler | 89 | 528* | 528G* | | 523* | 523G* | | | |
| YFUIW Pro Hauler | 89 | 528* | 528G* | | 523* | 523G* | | | |
| YFM 400 FWE/FWF/FWG/FWH/FWJ/FWK/FWL Kodiak | 93-98 | 524* | 524G* | | 516 | 516G | | | |
| YFM 400 FWBL Kodiak | 99 | FA54X* | FA54R* | FA54SV* | MD6123D* | 528 | 528G | | |
| YFM 400 NR/NS (2x4) Big Bear | 03-04 | FA54X* | FA54R* | FA54SV* | MD6123D* | 516 | 516G | | |
| YFM 400 FAR Kodiak Auto | 03 | FA54X* | FA54R* | FA54SV* | MD6215D* | 516 | 516G | | |
| YFM 400 FAM/FAN/FAP Kodiak | 00-02 | FA54X* | FA54R* | FA54SV* | MD6123D* | FA307X | FA307R | FA307SV | MD6174D |

All part numbers, prefixes and suffixes shown in this catalog are unique and form a registered copyright as the property of EBC Brakes and its UK trademark owners

* symbol after part # = 2 pieces reqd.
i.e. 2 pad sets or 2 contour rotors

PAD/SHOE/ROTOR Applications for ATV

ATV

YAMAHA FOUR WHEELERS CONTD.

| Year | FRONT | | | | REAR | | | | |
|---|--------------------------------|----------------------|--------------------------|--------------------------------|--------------------------------|----------------------|--------------------------|--------------------------------|---------|
| | SPORT CARBON *X* PADS/SHOES | LONG LIFE | SV SERIES | STANDARD ROTOR WITHOUT PADS | SPORT CARBON *X* PADS/SHOES | LONG LIFE | SV SERIES | STANDARD ROTOR WITHOUT PADS | |
| | | SINTERED *R* PADS | SEVERE DUTY *SV* PADS | | | SINTERED *R* PADS | SEVERE DUTY *SV* PADS | | |
| YFM 400 FAHM/MC/N/NC/P Kodiak 4x4/Hunter | 00-02 | FA54X* | FA54R* | FA54SV* | MD6123D* | FA307X | FA307R | FA307SV | MD6174D |
| YFM 400 Kodiak 2WD AM/AN | 00-01 | FA54X* | FA54R* | FA54SV* | MD6123D* | FA307X | FA307R | FA307SV | MD6174D |
| YFM 400 Big Bear 2WD NM/NMC/NN/NHN/P/HP | 00-02 | FA54X* | FA54R* | FA54SV* | MD6123D* | 516 | 516G | | |
| YFM 400 S Big Bear 2WD | 04 | FA54X* | FA54R* | FA54SV* | MD6123D* | 516 | | | |
| YFM 400 FWBM/FWBN Big Bear | 00-01 | FA54X* | FA54R* | FA54SV* | MD6123D* | 516 | 516G | | |
| YFM 400 FWNM/MC/FWNN/FWHN/FHP/FP/FR/FS/FT | | | | | | | | | |
| Big Bear 4WD/Real Tree-tra | 00-04 | FA54X* | FA54R* | FA54SV* | MD6123D* | 516 | 516G | | |
| YFM 400 FT/FV (Big Bear 4x4) | 05-06 | FA54X* | FA54R* | FA54SV* | MD6123D* | Y532 | Y532G | | |
| YFM 400 FWNHM/FHM Big Bear Buckmaster 4WD | 01 | FA54X* | FA54R* | FA54SV* | MD6123D* | 516 | 516 | | |
| YFM 400 AR/AS Kodiak 2WD | 03-04 | FA54X* | FA54R* | FA54SV* | MD6215D* | 532 | 532G | | |
| YFM 400 FAS Kodiak 4WD | 04 | FA54X* | FA54R* | FA54SV* | MD6215D* | 532 | 532G | | |
| YFM 400 FAT/FAHT/FAV Kodiak (Auto 4x4) | 05-06 | FA54X* | FA54R* | FA54SV* | MD6215D* | FA307X | FA307R | FA307SV | MD6252D |
| YFM 400 FGW/FGX Grizzly 4x4 | 07-08 | FA54X* | FA54R* | FA54SV* | MD6215D* | FA307X | FA307R | FA307SV | MD6252D |
| YFM 400 FS/FT/FV Big Bear 4WD | 04-06 | FA54X* | FA54R* | FA54SV* | MD6123D* | 532 | 532G | | |
| YFM 400 FBHW/FBHX/Y/Z Big Bear 400 Hunter IRS | 07-10 | FA54X* | FA54R* | FA54SV* | MD6215D* | N/A | N/A | | |
| YFM 400 FBEW Big Bear 400 IRS Exploring Edition | 07 | FA54X* | FA54R* | FA54SV* | MD6215D* | N/A | N/A | | |
| YFM 400 FBW/FBX/FBY/FBA Big Bear 4WD IRS | 07-09/11 | FA54X* | FA54R* | FA54SV* | MD6215D* | N/A | | | |
| YFM 450 FAR/FAS Kodiak | 03-04 | FA54X* | FA54R* | FA54SV* | MD6215D* | FA307X | FA307R | FA307SV | MD6174D |
| YFM 450 FGW/FGX Grizzly 4x4 | 07-08 | FA54X* | FA54R* | FA54SV* | MD6215D* | FA307X | FA307R | FA307SV | MD6252D |
| YFM 450 FXV/FXW/FXX/FXY/FXZ Wolverine Auto 4x4 | 06-10 | FA54X* | FA54R* | FA54SV* | MD6215D* | FA307X | FA307R | FA307SV | MD6174D |
| YFM 450 FGW Grizzly Auto 4x4 IRS | 07 | FA54X* | FA54R* | FA54SV* | MD6215D* | FA307X | FA307R | FA307SV | MD6252D |
| YFM 450 FGX/FGY/FGZ/FGA Grizzly Auto 4x4 IRS | 08-10 | FA54X* | FA54R* | FA54SV* | MD6215D* | N/A | N/A | | |
| YFZ 450 SEW Special Edition Left | 07 | FA165X | FA165R | FA165SV | MD6054D* | FA323X | FA323R | | MD6263D |
| Right | | FA135X | FA135R | FA135SV | | | | | |
| YFZ 450 S/T Left | 04-05 | FA165X | FA165R | | MD6054D* | FA84X | FA84R | MXS84 | MD6236D |
| Right | | FA135X | FA135R | | | | | | |
| YFZ 450 V/W/X/Y Left | 06-09 | FA165X | FA165R | | MD6054D* | FA323X | FA323R | | MD6263D |
| Right | | FA135X | FA135R | | | | | | |
| YFM 450 FAT/FAHT/FAV Kodiak (Auto 4x4) | 05-06 | FA54X* | FA54R* | FA54SV* | MD6215D* | FA307X | FA307R | FA307SV | MD6252D |
| YFM 450 FXSEW Wolverine Sport Special Edition | 07 | FA54X* | FA54R* | FA54SV* | MD6215D* | FA307X | FA307R | FA307SV | MD6174D |
| YZF 450 BBW Bill Left | 07 | FA165X | FA165R | FA135SV | MD6054D | FA323X | FA323R | | MD6263D |
| Balance Edition Right | | FA135X | FA135R | FA165SV | MD6054D | | | | |
| YZF 450 SEW/SPX Left | 07-08 | FA165X | FA165R | FA165SV | MD6054D | FA323X | FA323R | | MD6263D |
| Special Edition Right | | FA135X | FA135R | FA135SV | MD6054D | | | | |
| YFZ 450 RY/RZ Left | 09-10 | FA165X | FA165R | FA165SV | MD6054D | FA323X | FA323R | | MD6263D |
| Right | | FA135X | FA135R | FA135SV | MD6054D | | | | |
| YFZ 450 XZ Left | 10 | FA165X | FA165R | MXS165 | MD6054D | FA323TT | FA323R | | MD6263C |
| Right | | FA135X | FA135R | MXS135 | MD6054D | | | | |
| YFM 550 FGY/Z/A 4WD Grizzly Left | 09-11 | FA443X | FA443R | | MD6291D | FA445X | FA445R | | MD6292D |
| Auto FI Right | | FA444X | FA444R | | MD6291D | FA446X | FA446R | | MD6292D |
| YFM 550 FGPY/Z/A EPS Grizzly Left | 09-11 | FA443R | FA443X | | MD6291D | FA445X | FA445R | | MD6292D |
| Auto Fi Right | | FA444X | FA444R | | MD6291D | FA446X | FA446R | | MD6292D |
| YFM 600 FWAK/FWK/FWAL/LC/FWAM/MC Grizzly 98-00 | | FA84X* | FA84R* | FA84SV* | MD6140D* | 516 | 516G | | |
| YFM 600 FWAN/FWAHN Grizzly/Hunter Edition | 01 | FA84X* | FA84R* | FA84SV* | MD6140D* | 516 | 516G | | |
| YFM 600 HM/HMC Grizzly Hunting | 00 | FA84X* | FA84R* | FA84SV* | MD6140D* | 516 | 516G | | |
| YFM 660 RN/RP/RPB/RR/RS/RT Raptor | 01-05 | FA84X* | FA84R* | FA84SV* | MD6054D* | FA84X | FA84R | FA84SV | MD6237D |
| YFM 660 FAP/FHAP/FSAP/FAR/FS/FHS/FHT/FT/FV | | | | | | | | | |
| /FGHW/FGX/FGHX Grizzly/660 Hunter Edition | 02-08 | FA84X* | FA84R* | FA84SV* | MD6189D* | FA344X | FA344R | FA344SV | MD6197D |
| YFM 660 FAHDV/W Ducks Unlimited Edition/Side x Side | 06-07 | FA84X* | FA84R* | FA84SV* | MD6189D* | FA344X | FA344R | | MD6197D |
| YFM 700 RV/RW/RX/RY/RA Left | 06-09/11 | FA165X | FA165R | FA165SV | MD6054D | FA428X | FA428R | FA428SV | MD6263D |
| Raptor Right | | FA135X | FA135R | FA135SV | MD6054D | | | | |
| YFM 700 RSEW/RSPX/RSPY Left | 07-09/11 | FA165X | FA165R | FA165SV | MD6054D | FA428X | FA428R | FA428SV | MD6263D |
| /RSEA Raptor Special Edition Right | | FA135X | FA135R | FA135SV | MD6054D | | | | |
| YFM 700 FGPW/FGPX/FGPY/FGPZ/FGPA | | | | | | | | | |
| Grizzly Auto 4x4 Left | 07-11 | FA443X | FA443R | FA443SV | MD6291D | FA445X | FA445R | FA445SV | MD6292D |
| (Power steering) EPS Right | | FA444X | FA444R | FA444SV | MD6291D | FA446X | FA446R | FA446SV | MD6292D |
| YFM 700 FGPDUW/FGPDUX Left | 07-09 | FA443X | FA443R | FA443SV | MD6291D | FA445X | FA445R | FA445SV | MD6292D |
| FGPDUY Ducks Unlimited Edition Right | | FA443X | FA443R | FA443SV | MD6291D | FA446X | FA446R | FA446SV | MD6292D |

▲ Supermoto oversize disc conversion available for this disc - see page 335.

All part numbers, prefixes and suffixes shown in this catalog are unique and form a registered copyright as the property of EBC Brakes and its UK trademark owners

* symbol after part# = 2 pieces reqd. i.e. 2 pad sets or 2 contour rotors

PAD/SHOE/ROTOR Applications for ATV

ATV

YAMAHA FOUR WHEELERS CONTD.

| Year | SPORT CARBON "X" PADS/SHOES | FRONT | | | | REAR | | | |
|-------|--------------------------------|-----------------------------------|---------------------------------------|-----------------------------------|--------------------------------|-----------------------------------|---------------------------------------|-----------------------------------|---------|
| | | LONG LIFE SINTERED "R" PADS | SV SERIES SEVERE DUTY "SV" PADS | STANDARD ROTOR WITHOUT PADS | SPORT CARBON "X" PADS/SHOES | LONG LIFE SINTERED "R" PADS | SV SERIES SEVERE DUTY "SV" PADS | STANDARD ROTOR WITHOUT PADS | |
| | | | | | | | | | Year |
| 08-11 | FA443X | FA443R | FA443SV | MD6291D | FA445X | FA445R | FA445SV | MD6292D | |
| | /FGA Grizzly | FA444X | FA444R | FA444SV | MD6291D | FA446X | FA446R | FA446SV | MD6292D |
| 09-11 | FA443X | FA443R | FA443SV | MD6291D | FA445X | FA445R | FA445SV | MD6292D | |
| | Auto 4x4 EPS Special Edition | FA444X | FA444R | FA444SV | MD6291D | FA446X | FA446R | FA446SV | MD6292D |

YAMAHA SIDE X SIDE

| | | | | | | | | | |
|-------|---------------------------------|--------|---------|---------|---------|--------|---------|----------|---------|
| 04-09 | FA165X | FA165R | FA165SV | MD6241D | FA428X | FA428R | FA428SV | MD6242D▲ | |
| | /FXGR/FXR/FYR | FA135X | FA135R | FA135SV | MD6241D | | | | |
| | | | | | | | | OS6242▲ | |
| 04-07 | FA165X | FA165R | FA165SV | MD6241D | FA428X | FA428R | FA428SV | MD6242D▲ | |
| | /FSPW/FW | FA135X | FA135R | FA135SV | MD6241D | | | | |
| | | | | | | | | OS6242▲ | |
| 08 | FA165X | FA165R | FA165SV | MD6241D | FA165X | FA165R | FA165SV | MD6332D | |
| | FSEPX2/FSPX/FXGR/FXR Rhino | FA135X | FA135R | FA135SV | MD6241D | FA135X | FA135R | FA135SV | MD6332D |
| | Rhino Parking brake | FA497X | | MD6333D | | | | | |
| 04-06 | N/A | | | | 534* | 534G* | | | |
| 09 | FA165X | FA165R | FA165SV | MD6241D | FA165X | FA165R | FA165SV | MD6332D | |
| | YXP 700 AS/AT/AV Pro Hauler 700 | FA135X | FA135R | FA135SV | MD6241D | FA135X | FA135R | FA135SV | MD6332D |
| | Ducks Unlimited Version | FA497X | | | | | | | |
| | Rhino Parking brake | | | | | | | | |
| 09/11 | FA165X | FA165R | FA165SV | MD6241D | FA165X | FA165R | FA165SV | MD6332D | |
| | YXR 700 Rhino FI Auto | FA135X | FA135R | FA135SV | MD6241D | FA135X | FA135R | FA135SV | MD6332D |
| | 4x4 Sport Edition | FA497X | | | | | | | |
| | Rhino Parking brake | | | | | | | | |
| 09 | FA165X | FA165R | FA165SV | MD6241D | FA165X | FA165R | FA165SV | MD6332D | |
| | YXR 700 Rhino FI Auto 4x4 SE | FA135X | FA135R | FA135SV | MD6241D | FA135X | FA135R | FA135SV | MD6332D |
| | Right | FA497X | | | | | | | |
| | Rhino Parking brake | | | | | | | | |
| 09/11 | FA165X | FA165R | FA165SV | MD6241D | FA165X | FA165R | FA165SV | MD6332D | |
| | YXR 700 Rhino FI Auto 4x4 | FA135X | FA135R | FA135SV | MD6241D | FA135X | FA135R | FA135SV | MD6332D |
| | Right | FA497X | | | | | | | |
| | Rhino Parking brake | | | | | | | | |
| 04-05 | 534* | 534G* | | | 534* | 534G* | | | |
| | YXP 1000 AS/AT Pro Hauler 1000 | | | | | | | | |

ADLY

| | | | | | | | | |
|-------|----------------------|--------|--|------|-------|-------|--|-----|
| 07-08 | TBA* | | | | TBA | | | |
| | Jaguar 90 R | | | | | | | |
| 07-08 | TBA* | | | | TBA | | | |
| | Pursuit 90 R | | | | | | | |
| 07-08 | TBA* | | | N/A* | TBA | | | TBA |
| | Cross X Road 150/300 | | | | | | | |
| 07-08 | TBA* | | | N/A* | TBA | | | N/A |
| | Cross X Over 150/300 | | | | | | | |
| 07-08 | TBA* | | | N/A* | TBA | | | N/A |
| | Interceptor 150/300 | | | | | | | |
| 07-08 | TBA* | | | N/A* | TBA | | | N/A |
| | Cross X Road 200 R | | | | | | | |
| 07-08 | TBA* | | | N/A* | TBA | | | N/A |
| | Q 280/300 | | | | | | | |
| 06 | FA83X* | FA83R* | | N/A* | FA83X | FA83R | | N/A |
| | Interceptor 300 | | | | | | | |
| 06 | FA83X* | FA83R* | | N/A* | FA83X | FA83R | | N/A |
| | 300 Utility | | | | | | | |

ARCTIC CAT FOUR WHEELERS

| | | | | | | | | |
|-------|--------------------|---------|--|----------|--------|---------|--|---------|
| 04-05 | 346* | 346G* | | | N/A | | | |
| | 50-Y6 Youth (2T) | | | | | | | |
| 06-08 | 346* | 346G* | | | FA305 | FA305R | | MD6267D |
| | 50 DVX (4T) | | | | | | | |
| 06-08 | 346* | 346G* | | | FA305 | FA305R | | MD6267D |
| | 50 Utility | | | | | | | |
| 02-04 | 346* | 346G* | | | 307 | 307G | | |
| | 90-Y12 Youth (2T) | | | | | | | |
| 04-05 | 346* | 346G* | | | 307 | 307G | | |
| | 90-Y12 Youth (4T) | | | | | | | |
| 06-11 | 346* | 346G* | | | FA305 | FA305R | | MD6267D |
| | 90 DVX | | | | | | | |
| 06-11 | 346* | 346G* | | | FA305 | FA305R | | MD6267D |
| | 90 Utility (2 x 4) | | | | | | | |
| 09-11 | 346* | 346G* | | | FA305 | FA305R | | MD6267D |
| | 150 Utility 2x4 | | | | | | | |
| 99-00 | FA271X* | FA271R* | | MD6173D* | FA271X | FA271R | | MD6173D |
| | 250 (2x4) | | | | | | | |
| 06-09 | FA377* | FA377R* | | MD6267D* | FA377* | FA377R* | | MD6267D |
| | 250 Utility 2 x 4 | | | | | | | |
| 01-04 | FA271X* | FA271R* | | MD6173D* | FA271X | FA271R | | MD6173D |
| | 250 (2x4/4x4) | | | | | | | |

All part numbers, prefixes and suffixes shown in this catalog are unique and form a registered copyright as the property of EBC Brakes and its UK trademark owners

* symbol after part# = 2 pieces reqd.
i.e. 2 pad sets or 2 contour rotors

PAD/SHOE/ROTOR Applications for ATV

ATV

ARCTIC CAT FOUR WHEELERS CONTD. Year

| | | FRONT | | | | REAR | | | |
|----------------------------------|-------|--------------------------------|----------------------|--------------------------|--------------------------------|--------------------------------|----------------------|--------------------------|--------------------------------|
| | | SPORT CARBON "X" PADS/SHOES | LONG LIFE | SV SERIES | STANDARD ROTOR WITHOUT PADS | SPORT CARBON "X" PADS/SHOES | LONG LIFE | SV SERIES | STANDARD ROTOR WITHOUT PADS |
| | | | SINTERED "R" PADS | SEVERE DUTY "SV" PADS | | | SINTERED "R" PADS | SEVERE DUTY "SV" PADS | |
| 250 (2x4/4x4) | 05 | FA395X* | FA395R* | FA395SV* | MD6173D* | FA395X | FA395R | FA395SV | MD6173D |
| 250 DVX | 06-08 | FA377* | FA377R* | | MD6267D* | FA355* | FA355R* | | MD6268D |
| 300 (2x4/4x4) | 98-04 | FA271X* | FA271R* | | MD6173D* | FA271X | FA271R | | MD6173D |
| 300 2x4 | 10-11 | FA395X* | FA395R* | FA395SV* | MD6173D* | FA395X | FA395R | FA395SV | MD6173D |
| 300 (4x4) | 05 | FA395X* | FA395R* | FA395SV* | MD6173D* | FA395X | FA395R | FA395SV | MD6173D |
| 300 DVX | 09-11 | FA377* | FA377R* | | TBA* | FA355* | FA355R* | | MD6268D |
| 366 (Auto 4x4) | 07-11 | FA395X* | FA395R* | FA395SV* | MD6173D* | FA395X | FA395R | FA395SV | MD6173D |
| 375 (Auto) | 01 | FA271X* | FA271R* | | MD6173D* | FA271X | FA271R | | MD6173D |
| 400 (2x4) | 98 | FA271X* | FA271R* | | MD6173D* | FA271X | FA271R | | MD6173D |
| 400 (2x4/4x4) | 00-02 | FA271X* | FA271R* | | MD6173D* | FA271X | FA271R | | MD6173D |
| 400 (Auto 2x4/4x4) | 03-04 | FA271X* | FA271R* | | MD6173D* | FA271X | FA271R | | MD6173D |
| 400 (Auto) | 05-08 | FA395X* | FA395R* | FA395SV* | MD6173D* | FA395X | FA395R | FA395SV | MD6173D |
| 400 (2x4/4x4) | 03-04 | FA271X* | FA271R* | FA271SV* | MD6173D* | FA271X | FA271R | | MD6173D |
| 400 (2x4/4x4) | 98- | FA271X | FA271R | | MD6173D* | FA271X | FA271R | | MD6173D |
| 400 (4x4 Manual) | 05-08 | FA395X* | FA395R* | FA395SV* | MD6173D* | FA395X | FA395R | FA395SV | MD6173D |
| 400 DVX | 04-08 | FA84X* | FA84R* | FA84SV* | MD6210D* | FA137X | FA137R | | MD6211D |
| 400 TRV 4x4 2UP | 09-11 | FA395X* | FA395R* | FA395SV* | MD6173D* | FA395X | FA395R | FA395SV | MD6173D |
| 450 HI | 10-11 | FA395X* | FA395R* | FA395SV* | MD6173D* | FA395X | FA395R | FA395SV | MD6173D |
| Bearcat 454 (4x4) | 96-98 | FA271X* | FA271R* | | MD6173D* | FA271X | FA271R | | MD6173D |
| Bearcat 454 (2x4) | 97-98 | FA271X* | FA271R* | | MD6173D* | FA271X | FA271R | | MD6173D |
| 500 (4x4) | 98-02 | FA271X* | FA271R* | | MD6173D* | FA271X | FA271R | | MD6173D |
| 500 (4x4 Manual) | 03-04 | FA271X* | FA271R* | | MD6173D* | FA271X | FA271R | | MD6173D |
| 500 (Auto) | 00-04 | FA271X* | FA271R* | | MD6173D* | FA271X | FA271R | | MD6173D |
| 500 (Auto) | 05-09 | FA395X* | FA395R* | FA395SV* | MD6173D* | FA395X | FA395R | FA395SV | MD6173D |
| 500 (Manual 4x4) | 05-09 | FA395X* | FA395R* | FA395SV* | MD6173D* | FA395X | FA395R | FA395SV | MD6173D |
| 550 H1 EFI | 09-11 | FA395X* | FA395R* | FA395SV* | MD6173D* | FA395X | FA395R | FA395SV | MD6173D |
| 550 LTD Efi | 11 | FA395X* | FA395R* | FA395SV* | MD6173D* | FA395X | FA395R | FA395SV | MD6173D |
| TRV 550 (HI EFI 2-UP) | 09-10 | FA395X* | FA395R* | FA395SV* | MD6173D* | FA395X | FA395R | FA395SV | MD6173D |
| TRV 550 (GT EFI 2-UP) | 11 | FA395X* | FA395R* | FA395SV* | MD6173D* | FA395X | FA395R | FA395SV | MD6173D |
| 650 H1 MUDPRO | 10-11 | FA395X* | FA395R* | FA395SV* | MD6173D* | FA395X | FA395R | FA395SV | MD6173D |
| 650 H1 | 11 | FA395X* | FA395R* | FA395SV* | MD6173D* | FA395X | FA395R | FA395SV | MD6173D |
| 650 HI TBX 4x4 Auto | 09-10 | FA395X* | FA395R* | FA395SV* | MD6173D* | FA395X | FA395R | FA395SV | MD6173D |
| 650 HI TRV 4X4AUTO | 09 | FA395X* | FA395R* | FA395SV* | MD6173D* | FA395X | FA395R | FA395SV | MD6173D |
| 650 V2 (4x4) V-Twin | 04-05 | FA395X* | FA395R* | FA395SV* | MD6173D* | FA395X | FA395R | FA395SV | MD6173D |
| 700 (Auto 4x4/EFI/Diesel) | 06-08 | FA395X* | FA395R* | FA395SV* | MD6173D* | FA395X | FA395R | FA395SV | MD6173D |
| 700 HI EFI 4x4 Auto (All models) | 09-10 | FA395X* | FA395R* | FA395SV* | MD6173D* | FA395X | FA395R | FA395SV | MD6173D |
| 700 H TRV (All Models) | 09-11 | FA395X* | FA395R* | FA395SV* | MD6173D* | FA395X | FA395R | FA395SV | MD6173D |
| 700 LTD Efi | 11 | FA395X* | FA395R* | FA395SV* | MD6173D* | FA395X | FA395R | FA395SV | MD6173D |
| 700 H1 TBX Efi 94X4 AUTO) | 11 | FA395X* | FA395R* | FA395SV* | MD6173D* | FA395X | FA395R | FA395SV | MD6173D |
| 700 Super Duty Diesel | 10-11 | FA395X* | FA395R* | FA395SV* | MD6173D* | FA395X | FA395R | FA395SV | MD6173D |
| 750 H1 MUDPRO | 09-11 | FA395X* | FA395R* | FA395SV* | MD6173D* | FA395X | FA395R | FA395SV | MD6173D |
| 1000 H2 MUDPRO | 10-11 | FA395X* | FA395R* | FA395SV* | MD6173D* | FA395X | FA395R | FA395SV | MD6173D |
| Thundercat 1000 H2 | 08-11 | FA395X* | FA395R* | FA395SV* | MD6173D* | FA395X | FA395R | FA395SV | MD6173D |
| 1000 TRV H2 (All Models) | 09-11 | FA395X* | FA395R* | FA395SV* | MD6173D* | FA395X | FA395R | FA395SV | MD6173D |

ARCTIC CAT SIDE X SIDE

| | | | | | | | | | |
|---------------------|-------|---------|---------|----------|----------|---------|---------|----------|----------|
| 550 Prowler 4x4 | 09-11 | FA395X* | FA395R* | FA395SV* | MD6173D* | FA395X | FA395R | FA395SV | N/A |
| XT 650 Prowler | 05-10 | FA395X* | FA395R* | FA395SV* | MD6173D* | FA395X | FA395R | FA395SV | N/A |
| 700 Prowler TX 4x4 | 09-10 | FA395X* | FA395R* | FA395SV* | MD6173D* | FA395X | FA395R | FA395SV | N/A |
| HDX 700 Prowler | 11 | FA395X* | FA395R* | FA395SV* | MD6173D* | FA395X | FA395R | FA395SV | N/A |
| 1000 H2 Prowler XTZ | 09-11 | FA395X* | FA395R* | FA395SV* | MD6173D* | FA395X* | FA395R* | FA395SV* | MD6173D* |

BOMBARDIER/BRP (Note: See Can-Am Section for 2007 onwards fitment info)

| | | | | | | | | | |
|---------------------------------|-------|--------|--------|--|----------|-----|------|--|---------|
| DS 50 (2 stroke) | 02-06 | 346* | 346G* | | | 330 | 330G | | |
| Quest 50 | 03-04 | 346* | 346G* | | | 330 | 330G | | |
| DS 90 (2 stroke/4 stroke) | 02-06 | 346* | 346G* | | | 330 | 330G | | |
| Quest 90 (2 stroke/4 stroke) | 03-04 | 346* | 346G* | | | 330 | 330G | | |
| Rally 200 (7550/7551/7552/7553) | 03-04 | FA83X* | FA83R* | | MD6220D* | N/A | | | MD6221D |

All part numbers, prefixes and suffixes shown in this catalog are unique and form a registered copyright as the property of EBC Brakes and its UK trademark owners

* symbol after part# = 2 pieces reqd. i.e. 2 pad sets or 2 contour rotors

PAD/SHOE/ROTOR Applications for ATV

ATV

BOMBARDIER/BRP

Contd. Year

| | | Year | FRONT | | | | REAR | | | |
|---|----------------------------------|-------|--------------------------------|-----------|-------------|--------------------------------|--------------------------------|-----------|-------------|--------------------------------|
| | | | SPORT CARBON *X* PADS/SHOES | LONG LIFE | SV SERIES | STANDARD ROTOR WITHOUT PADS | SPORT CARBON *X* PADS/SHOES | LONG LIFE | SV SERIES | STANDARD ROTOR WITHOUT PADS |
| | | | | SINTERED | SEVERE DUTY | | | SINTERED | SEVERE DUTY | |
| | | | *R* PADS | *SV* PADS | | *R* PADS | *SV* PADS | | | |
| Rally 200 | | 05-07 | FA83X* | FA83R* | | MD6220D* | FA165/2X | FA165/2R | | MD6285D |
| DS 250 | | 06 | FA377X* | FA377R* | | MD6283D* | FA377X | FA377R | | MD6282D |
| Outlander 330 HO | Left | 04-05 | FA307X | FA307R | FA307SV | MD6222D* | FA307X | FA307R | FA307SV | MD6223D |
| | Right | | FA317X | FA317R | FA317SV | | | | | |
| Outlander 400 (7535/7716) | Left | 03-04 | FA307X | FA307R | FA307SV | MD6222D* | FA307X | FA307R | FA307SV | MD6223D |
| | Right | | FA317X | FA317R | FA317SV | | | | | |
| Outlander 400 Max HO | Left | 03-06 | FA307X | FA307R | FA307SV | MD6222D* | FA307X | FA307R | FA307SV | MD6223D |
| | Right | | FA317X | FA317R | FA317SV | | | | | |
| Outlander 650 HO Efi 4x4 /HO Efi XT 4x4 | Left | 06 | FA307X | FA307R | FA307SV | MD6222D* | FA307X | FA307R | FA307SV | MD6223D |
| | Right | | FA317X | FA317R | FA317SV | | | | | |
| Outlander Max 650 HO Efi 4x4 HO Efi XT 4x4 | Left | 06 | FA307X | FA307R | FA307SV | MD6222D* | FA307X | FA307R | FA307SV | MD6223D |
| | Right | | FA317X | FA317R | FA317SV | | | | | |
| Outlander 800 (All models) | Left | 06 | FA307X | FA307R | FA307SV | MD6222D* | FA307X | FA307R | FA307SV | MD6223D |
| | Right | | FA317X | FA317R | FA317SV | | | | | |
| Traxter (4x4) (Model types 7400-7408/7413-7422 /7425-7428/7455/7456) | | | | | | | | | | |
| | | 99-00 | FA266* | FA266R* | | MD6229D* | FA266 | FA266R | | MD6230D |
| Traxter (4x4) | Left | 01 | FA307X | FA307R | FA307SV | MD6229D* | FA307X | FA307R | FA307SV | MD6230D |
| | (Model types 7459/7460) Right | | FA317X | FA317R | FA317SV | | | | | |
| Traxter XL (4x4) Up to SN V000708 (Model type 7448) | | | | | | | | | | |
| Traxter XL (4x4) (Model types 7448 from SN V000709 /7458/7477/7489 | | | | | | | | | | |
| | Left | 01-04 | FA307X | FA307R | FA307SV | MD6229D* | FA317X | FA317R | FA317SV | MD6230D |
| | Right | | FA317X | FA317R | FA317SV | | | | | |
| Traxter XT (4x4) (Model types 7423/7424) | | | | | | | | | | |
| | | 00 | FA266* | FA266R* | | MD6229D* | FA266 | FA266R | | MD6230D |
| Traxter XT (4x4) (Model types 7446/7452/7467/7468 /7472/7481/7493/7494) | | | | | | | | | | |
| | Left | 01 | FA307X | FA307R | FA307SV | MD6229D* | FA317X | FA317R | FA317SV | MD6230D |
| | Right | | FA317X | FA317R | FA317SV | | | | | |
| Traxter Autoshift (Model types 7431/7432/7433/7434) | | | | | | | | | | |
| | | 01 | FA266* | FA266R* | | MD6229D* | FA266 | FA266R | | MD6230D |
| Traxter Autoshift (Model types 7453/7454/7461/7462 /7469/7470/7471/7475/7480/7495/7496/7497 /7560/7561/7562/7563/7564/7566/7567/7568 /7569/7570/7595/7596/7597 /7598/7599 | | | | | | | | | | |
| | Left | 01-05 | FA307X | FA307R | FA307SV | MD6225D* | FA317X | FA317R | FA317SV | MD6224D |
| | Right | | FA317X | FA317R | FA317SV | | | | | |
| Traxter Footshift (Model types 7439/7440/7441/7442) | | | | | | | | | | |
| | Left | 01 | FA266* | FA266R* | | MD6229D* | FA266 | FA266R | | MD6230D |
| Traxter Footshift (Model types 7473/7474) | | | | | | | | | | |
| | Right | 01 | FA317X | FA317R | FA317SV | | FA317X | FA317R | FA317SV | MD6230D |
| Quest 500 (4x4) (Model types 7478/7515/7525/7539 /7540/7546/7547/7583 /7584/7713/7724 /7725/7731) | | | | | | | | | | |
| | Left | 02-04 | FA307X | FA307R | FA307SV | MD6224D* | FA317X | FA317R | FA317SV | MD6225D |
| | Right | | FA317X | FA317R | FA317SV | | | | | |
| Traxter Max | | | | | | | | | | |
| | Left | 03-05 | FA307X | FA307R | FA307SV | MD6245D* | FA317X | FA317R | FA317SV | MD6225D |
| | Right | | FA317X | FA317R | FA317SV | | | | | |
| Quest 500 (2x4) (Model types 7541/7542/7548/7549 /7585/7586/7714/7726) | | | | | | | | | | |
| | Left | 02 | FA307X | FA307R | FA307SV | MD6224D* | FA317X | FA317R | FA317SV | MD6225D |
| | Right | | FA317X | FA317R | FA317SV | | | | | |
| Quest 650 (2x4) (Model type 7582) | | | | | | | | | | |
| | Left | 02 | FA307X | FA307R | FA307SV | MD6224D* | FA317X | FA317R | FA317SV | MD6225D |
| | Right | | FA317X | | | | | | | |
| Quest 650 (4x4) (Model types 7443/7445/7516/7517/7523 /7536/7537/7543/7544 /7580/7581/7730) | | | | | | | | | | |
| | Left | 02-04 | FA307X | FA307R | FA307SV | MD6224D* | FA317X | FA317R | FA317SV | MD6225D |
| | Right | | FA317X | FA317R | FA317SV | | | | | |
| Quest 650 XT (4x4) (Model types 7522/7523/7534/7545 /7715/7727/7728) | | | | | | | | | | |
| | Left | 02 | FA307X | FA307R | FA307SV | MD6224D* | FA317X | FA317R | FA317SV | MD6225D |
| | Right | | FA317X | FA317R | FA317SV | | | | | |
| Quest Max 650 | | | | | | | | | | |
| | Left | 03- | FA307X | FA307R | FA307SV | MD6224D* | FA317X | FA317R | FA317SV | MD6225D |
| | Right | | FA317X | FA317R | FA317SV | | | | | |
| DS 650 (Model types 7404/7409/7463/7482/7518/7519 /7587/7588-7483) | | | | | | | | | | |
| | Left | 00-05 | FA307X | FA307R | FA307SV | MD6171D* | FA307X | FA307R | FA307SV | MD6172D |
| | Right | | FA317X | FA317R | FA317SV | | | | | |

All part numbers, prefixes and suffixes shown in this catalog are unique and form a registered copyright as the property of EBC Brakes and its UK trademark owners

* symbol after part# = 2 pieces reqd.
i.e. 2 pad sets or 2 contour rotors

PAD/SHOE/ROTOR Applications for ATV

ATV

BOMBARDIER/BRP

| | | | FRONT | | | | REAR | | | |
|---------------------------|------|-------|----------------|--------------------|-----------------------|----------------|----------------|--------------------|-----------------------|----------------|
| Contd. | Year | | SPORT CARBON | LONG LIFE SINTERED | SV SERIES SEVERE DUTY | STANDARD ROTOR | SPORT CARBON | LONG LIFE SINTERED | SV SERIES SEVERE DUTY | STANDARD ROTOR |
| | | | *X* PADS/SHOES | *R* PADS | *SV* PADS | WITHOUT PADS | *X* PADS/SHOES | *R* PADS | *SV* PADS | WITHOUT PADS |
| | | | | | | | | | | |
| DS 650 Baja/X | Left | 01-06 | FA307X | FA307R | FA307SV | MD6171D* | FA307X | FA307R | FA307SV | MD6172D |
| | | Right | FA317X | FA317R | FA317SV | | | | | |
| Traxter Max 650 | Left | 04-05 | FA307X | FA307R | FA307SV | MD6245D* | FA317X | FA317R | FA317SV | MD6225D |
| | | Right | FA317X | FA317R | FA317SV | | | | | |
| Sarasota 1000 Side x Side | | 05 | N/A | | | | N/A | | | |
| Traxter XL (7920/7921) | Left | 04 | FA307X | FA307R | FA307SV | MD6245D* | FA317X | FA317R | FA317SV | MD6225D |
| | | Right | FA317X | FA317R | FA317SV | | | | | |
| Quest Max/STD/XT | Left | 04-05 | FA307X | FA307R | FA307SV | MD6245D* | FA317X | FA317R | FA317SV | MD6225D |
| | | Right | FA317X | FA317R | FA317SV | | | | | |

CAN AM FOUR WHEELERS

| | | | | | | | | | | |
|-----------------------------|-------|-------|----------------------------|---------|---------|----------|---------|---------|---------|---------|
| DS 70 (2x4/4T) Mini | | 08-11 | 346* | 346G* | | | 307 | 307G | | |
| DS 90 Mini 4 Stroke (3C7A) | | 07-11 | 346* | 346G* | | | 307 | 307G | | |
| DS 90 X (2x4/4T) | | 08-11 | FA83X* | FA83R* | | MD6335D* | FA83X | FA83R | | MD6334D |
| Rally 200 (4A7A/B/C/D/E/F) | | 07 | FA83X* | FA83R* | | MD6220D* | FA307X | FA307R | | MD6285D |
| DS 250 (3J7A/B) | | 07-11 | FA377X* | FA377R* | | MD6283D* | FA377X | FA377R | | MD6282D |
| Outlander 400 (4x4 STD) | Left | 07-09 | FA307X | FA307R | FA307SV | MD6222D* | FA307X | FA307R | FA307SV | MD6223D |
| | | | (2D7A/B/C/D/E/F/G/H) | Right | FA317X | FA317R | FA317SV | | | |
| Outlander 400 (XT 4x4) | Left | 07-09 | FA307X | FA307R | FA307SV | MD6222D* | FA307X | FA307R | FA307SV | MD6223D |
| | | | (2E7A/B/C/D/E/F) | Right | FA317X | FA317R | FA317SV | | | |
| Outlander 400 EFI | Left | 09-11 | FA307X | FA307R | FA307SV | MD6222D | FA307X | FA307R | FA307SV | MD6223D |
| | | | (2F7A/B/C/D/E/F) | Right | FA317X | FA317R | FA317SV | MD6222D | | |
| Outlander Max 400 (STD 4x4) | Left | 07-10 | FA307X | FA307R | FA307SV | MD6222D* | FA307X | FA307R | FA307SV | MD6223D |
| | | | (2F7B/C/D/E/F/G/H/I) | Right | FA317X | FA317R | FA317SV | | | |
| Outlander Max 400 (XT 4x4) | Left | 07-09 | FA307X | FA307R | FA307SV | MD6222D* | FA307X | FA307R | FA307SV | MD6223D |
| | | | (2G7A/B/C/D/E) | Right | FA317X | FA317R | FA317SV | | | |
| DS 450 (2x4/EFI) | | 08-10 | | FA468R* | | MD6322C* | | FA398R | | MD6321C |
| DS 450 X (2x4/EFI) | | 08-10 | | FA468R* | | MD6322C* | | FA398R | | MD6321C |
| Outlander 500 (STD 4x4) | Left | 07-11 | FA307X | FA307R | FA307SV | MD6222D* | FA307X | FA307R | FA307SV | MD6223D |
| | | | (2T7A/B/C/D) | Right | FA317X | FA317R | FA317SV | | | |
| Outlander 500 (XT 4x4) | Left | 07-11 | FA307X | FA307R | FA307SV | MD6222D* | FA307X | FA307R | FA307SV | MD6223D |
| | | | (2U7A/B/C/D) | Right | FA317X | FA317R | FA317SV | | | |
| Outlander Max 500 (STD 4x4) | Left | 07-11 | FA307X | FA307R | FA307SV | MD6222D* | FA307X | FA307R | FA307SV | MD6223D |
| | | | (2W7A/B/C) | Right | FA317X | FA317R | FA317SV | | | |
| Outlander Max 500 (XT 4x4) | Left | 07-10 | FA307X | FA307R | FA307SV | MD6222D* | FA307X | FA307R | FA307SV | MD6223D |
| | | | (2X7A/B/C) | Right | FA317X | FA317R | FA317SV | | | |
| Renegade 500 (4x4/EFI) | Left | 08-11 | FA307X | FA307R | FA307SV | MD6223D* | FA307X | FA307R | | MD6223D |
| | | | (2Y7A/B/C/D) | Right | FA317X | FA317R | FA317SV | | | |
| DS 650 X (3B7A/B) | Left | 07 | FA307X | FA307R | FA307SV | MD6171D* | FA307X | FA307R | FA307SV | MD6172D |
| DS 650 X (3B7A/B) | Right | 07 | FA317X | FA317R | FA317SV | | | | | |
| Outlander 650 (4x4 STD) | Left | 07-11 | FA307X | FA307R | FA307SV | MD6222D* | FA307X | FA307R | FA307SV | MD6223D |
| | | | (2N7A/B/C/D/E/F/G/H) | Right | FA317X | FA317R | FA317SV | | | |
| Outlander 650 (XT 4x4) | Left | 07-11 | FA307X | FA307R | FA307SV | MD6222D* | FA307X | FA307R | FA307SV | MD6223D |
| | | | (2P7A/B/C/D/E/F) | Right | FA317X | FA317R | FA317SV | | | |
| Outlander Max 650 (STD 4x4) | Left | 07-11 | FA307X | FA307R | FA307SV | MD6222D* | FA307X | FA307R | FA307SV | MD6223D |
| | | | (2R7A/B/C/D/E/F/G/H/I/J/K) | Right | FA317X | FA317R | FA317SV | | | |
| Outlander Max 650 (XT 4x4) | Left | 07-10 | FA307X | FA307R | FA307SV | MD6222D* | FA307X | FA307R | FA307SV | MD6223D |
| | | | (2S7A/B/C/D/E/F) | Right | FA317X | FA317R | FA317SV | | | |
| Outlander 800 (STD 4x4) | Left | 07-08 | FA307X | FA307R | FA307SV | MD6222D* | FA307X | FA307R | FA307SV | MD6223D |
| | | | (2H7A/B/C/D/E/F/G/H) | Right | FA317X | FA317R | FA317SV | | | |
| Outlander 800 (XT 4x4) | Left | 07-08 | FA307X | FA307R | FA307SV | MD6222D* | FA307X | FA307R | FA307SV | MD6223D |
| | | | (2J7A/B/C/D/E/F) | Right | FA317X | FA317R | FA317SV | | | |
| Outlander 800 R EFI | Left | 09 | FA307X | FA307R | FA307SV | MD6222D | FA307X | FA307R | FA307SV | MD6223D |
| | | | (2K7A/B/C/D/E/F) | Right | FA317X | FA317R | FA317SV | MD6222D | | |
| Outlander 800 R XT | Left | 09-10 | FA307X | FA307R | FA307SV | MD6222D | FA307X | FA307R | FA307SV | MD6223D |
| | | | (2L7A/B/C/D/E/F) | Right | FA317X | FA317R | FA317SV | MD6222D | | |
| Outlander Max 800 R EFI | Left | 09-11 | FA307X | FA307R | FA307SV | MD6222D | FA307X | FA307R | FA307SV | MD6223D |
| | | | (2M7A/B/C/D/E/F) | Right | FA317X | FA317R | FA317SV | MD6222D | | |

All part numbers, prefixes and suffixes shown in this catalog are unique and form a registered copyright as the property of EBC Brakes and its UK trademark owners

* symbol after part# = 2 pieces reqd. i.e. 2 pad sets or 2 contour rotors

PAD/SHOE/ROTOR Applications for ATV

ATV

CAN AM FOUR WHEELERS CONTD.

| Year | SPORT CARBON *X* PADS/SHOES | FRONT | | | | REAR | | | | |
|-----------------------------|--------------------------------|-----------------------|--------------------------|-----------------------------------|--------------------------------|-----------------------|--------------------------|-----------------------------------|----------|-----------|
| | | LONG LIFE SINTERED | SV SERIES SEVERE DUTY | STANDARD ROTOR WITHOUT PADS | SPORT CARBON *X* PADS/SHOES | LONG LIFE SINTERED | SV SERIES SEVERE DUTY | STANDARD ROTOR WITHOUT PADS | | |
| | | | | | | | | | *R* PADS | *SV* PADS |
| Outlander Max 800 R XT | Left | 09-11 | FA307X | FA307R | FA307SV | MD6222D | FA307X | FA307R | FA307SV | MD6223D |
| | Right | | FA317X | FA317R | FA317SV | MD6222D | | | | |
| Outlander Max 800 (Ltd 4x4) | Left | 07-11 | FA307X | FA307R | FA307SV | MD6222D* | FA307X | FA307R | FA307SV | MD6223D |
| (2M7A/B/C) | Right | | FA317X | FA317R | FA317SV | | | | | |
| Outlander Max 800 (STD 4x4) | Left | 07-11 | FA307X | FA307R | FA307SV | MD6222D* | FA307X | FA307R | FA307SV | MD6223D |
| (2K7A/B/C/D/E/F/G/H/J) | Right | | FA317X | FA317R | FA317SV | | | | | |
| Outlander Max 800 (XT 4x4) | Left | 07-08 | FA307X | FA307R | FA307SV | MD6222D* | FA307X | FA307R | FA307SV | MD6223D |
| (2L7A/B/C/D/E/F) | Right | | FA317X | FA317R | FA317SV | | | | | |
| Outlander 800 R Xmr | Left | 11 | FA307X | FA307R | FA307SV | MD6222D | FA307X | FA307R | FA307SV | MD6223D |
| | Right | | FA317X | FA317R | FA317SV | MD6222D | | | | |
| Outlander 800 R Xxc | Left | 11 | FA307X | FA307R | FA307SV | MD6222D | FA307X | FA307R | FA307SV | MD6223D |
| | Right | | FA317X | FA317R | FA317SV | MD6222D | | | | |
| Renegade 800 X (4x4/EFI) | Left | 08 | FA307X | FA307R | FA307SV | MD6223D | FA307X | FA307R | FA307SV | MD6223D |
| | Right | | FA317X | FA317R | FA317SV | MD6223D | | | | |
| Renegade 800 (4x4/EFI) | Left | 07-08 | FA307X | FA307R | FA307SV | MD6223D | FA307X | FA307R | FA307SV | MD6223D |
| | Right | | FA317X | FA317R | FA317SV | MD6223D | | | | |
| Renegade 800 R EFI | Left | 09-11 | FA307X | FA307R | FA307SV | MD6222D | FA307X | FA307R | FA307SV | MD6223D |
| | Right | | FA317X | FA317R | FA317SV | MD6222D | | | | |
| Renegade 800 R X | Left | 09-10 | FA307X | FA307R | FA307SV | MD6222D | FA307X | FA307R | FA307SV | MD6223D |
| | Right | | FA317X | FA317R | FA317SV | MD6222D | | | | |
| Renegade 800 R Xxc | Left | 11 | FA307X | FA307R | FA307SV | MD6222D | FA307X | FA307R | FA307SV | MD6223D |
| | Right | | FA317X | FA317R | FA317SV | MD6222D | | | | |

CAN AM SIDE X SIDE

| | | | | | | | | | | |
|-------------------|-------|----|--------|--------|---------|-----|--------|--------|---------|-----|
| Commander 800 R | Left | 11 | FA165X | FA165R | FA165SV | TBA | FA135X | FA135R | FA135SV | TBA |
| | Right | | FA135X | FA135R | FA135SV | TBA | | | | |
| Commander 1000 | Left | 11 | FA165X | FA165R | FA165SV | TBA | FA135X | FA135R | FA135SV | TBA |
| | Right | | FA135X | FA135R | FA135SV | TBA | | | | |
| Commander 1000 X | Left | 11 | FA165X | FA165R | FA165SV | TBA | FA135X | FA135R | FA135SV | TBA |
| | Right | | FA135X | FA135R | FA135SV | TBA | | | | |
| Commander 1000 XT | Left | 11 | FA165X | FA165R | FA165SV | TBA | FA135X | FA135R | FA135SV | TBA |
| | Right | | FA135X | FA135R | FA135SV | TBA | | | | |

COBRA (QUADS)

| | | | | | | | | | | |
|---------------|--|----|------|--|--|------|-----|--|--|-----|
| ECX 50 (Quad) | | 06 | TBA* | | | N/A* | TBA | | | N/A |
| ECX 70 (Quad) | | 06 | TBA* | | | N/A* | TBA | | | N/A |

CPI

| | | | | | | | | | | |
|--------------|--|-------|------|--|--|--|-----|--|--|-----|
| Apache 50/90 | | 06-08 | TBA* | | | | TBA | | | N/A |
|--------------|--|-------|------|--|--|--|-----|--|--|-----|

DINLI

| | | | | | | | | | | |
|-----------------|--|-------|------|--|--|-----|-------|-------|--|-----|
| DMX 270 | | 05-06 | TBA* | | | TBA | TBA | | | TBA |
| DMX 450 | | 05-06 | TBA* | | | TBA | TBA | | | TBA |
| Diamond Back 90 | | 06 | TBA* | | | | FA83X | FA83R | | N/A |

E-TON QUADS

| | | | | | | | | | | |
|-----------------------------|--|-------|------|-------|--|--|--------|-------|--|-----|
| IXL 40 Rascal | | 98-01 | N/A | | | | 330 | 330G | | |
| RXL-40E Viper Junior | | 01-06 | N/A | | | | 330 | 330G | | |
| Viper 40 E | | 99-08 | N/A | | | | 330 | 330G | | |
| AXL 50 Lightning 50 | | 99-00 | 338* | 338G* | | | TBA | TBA | | |
| NXL 50 Lightning 50 | | 01-02 | 338* | 338G* | | | TBA | TBA | | |
| BXL-50 Draco | | 05-06 | 338* | 338G* | | | FA83X | FA83R | | N/A |
| TXL 50 Wizz 50 | | 98-99 | 338* | 338G* | | | TBA | TBA | | |
| Viper 50 Mini RXL 50 M (4T) | | 03-08 | 338* | 338G* | | | FA83X | FA83R | | N/A |
| Parking Brake | | | | | | | FA232X | | | |
| Viper 50 RXL 50 | | 03-06 | 338* | 338G* | | | FA83X | FA83R | | N/A |
| Viper 70 RLX 70/70M (2T/4T) | | 05-09 | 338* | 338G* | | | FA83X | FA83R | | N/A |
| AXL 90 Thunder | | 99-00 | 338* | 338G* | | | 330 | 330G | | |

All part numbers, prefixes and suffixes shown in this catalog are unique and form a registered copyright as the property of EBC Brakes and its UK trademark owners

* symbol after part# = 2 pieces reqd.
i.e. 2 pad sets or 2 contour rotors

PAD/SHOE/ROTOR Applications for ATV

ATV

E-TON QUADS CONTD.

| Year | FRONT | | | | REAR | | | |
|-------------------------------------|--------------------------------|----------------------|--------------------------|--------------------------------|--------------------------------|----------------------|--------------------------|--------------------------------|
| | SPORT CARBON *X* PADS/SHOES | LONG LIFE | SV SERIES | STANDARD ROTOR WITHOUT PADS | SPORT CARBON *X* PADS/SHOES | LONG LIFE | SV SERIES | STANDARD ROTOR WITHOUT PADS |
| | | SINTERED *R* PADS | SEVERE DUTY *SV* PADS | | | SINTERED *R* PADS | SEVERE DUTY *SV* PADS | |
| DXL-90 Sierra | 99-03 | 614* | S614G* | | 330 | 330G | | |
| NXL 90 Thunder | 01-02 | 338* | 338G* | | 330 | 330G | | |
| RXL 90 Viper 90 | 03-06 | 338* | 338G* | | FA83X | FA83R | | N/A |
| RXL 90 R Viper 90 R Reverse (2T/4T) | 03-09 | 338* | 338G* | 338G* | | FA83X | FA83R | N/A |
| BXL 100 Draco | 05-06 | 338* | 338G* | | FA83X | FA83R | | N/A |
| CXL 150 Yukon II/Challenger | 02-09 | 303* | 303G* | | FA165X | FA165R | | N/A |
| EXL 150 Yukon ST | 05-06 | FA83X* | FA83R* | N/A* | 330 | 330G | | |
| RXL 150 Viper R | 05-09 | 303* | 303G* | | FA165X | FA165R | | N/A |
| RXL 150 Viper | 05-06 | 303* | 303G* | | FA165X | FA165R | | N/A |
| YXL 150 Yukon | 00-02 | 303* | 303G* | | 330 | 330G | | |
| Yukon ELX 150 | 05-06 | FA83X* | FA83R* | N/A* | 330 | 330G | | |
| Viper EXL 150 ST Quad | 05-06 | FA83X* | FA83R* | N/A* | 330 | 330G | | |
| Vector VXL 250 ST Quad | 06-09 | FA83X* | FA83R* | N/A* | FA83X | FA83R | | N/A |

GAS-GAS

| | | | | | | | | | |
|-------------|-------|---------|---------|---------|------|--------|--------|--------|-----|
| HP 50 Wild | 03-05 | FA181X* | FA181R* | MXS181* | N/A* | FA181X | FA181R | MXS181 | N/A |
| HP 125 | 07-08 | FA181X* | FA181R* | MXS181* | N/A* | FA181X | FA181R | MXS181 | N/A |
| HP 200 | 08 | FA181X* | FA181R* | MXS181* | N/A* | FA181X | FA181R | MXS181 | N/A |
| HP 240 Wild | 03-05 | FA181X* | FA181R* | MXS181* | N/A* | FA181X | FA181R | MXS181 | N/A |
| HP 250 Wild | 08 | FA181X* | FA181R* | MXS181* | N/A* | FA181X | FA181R | MXS181 | N/A |
| HP 300 Wild | 03-05 | FA181X* | FA181R* | MXS181* | N/A* | FA181X | FA181R | MXS181 | N/A |
| HP 300 RV | 06 | FA181X* | FA181R* | MXS181* | N/A* | FA181X | FA181R | MXS181 | N/A |
| HP 450 | 03-08 | FA181X* | FA181R* | MXS181* | N/A* | FA181X | FA181R | MXS181 | N/A |
| HP 515 Wild | 09 | FA181X* | FA181R* | MXS181* | N/A* | FA181X | FA181R | MXS181 | N/A |

HYOSUNG

| | | | | | | | | | |
|----------|-------|--------|--------|--------|------|-------|--------|-------|---------|
| TE 50 | 05-08 | 938* | | | | | FA282R | | MD6301D |
| TE 90 | 05-08 | 938* | | | | | FA282R | | MD6301D |
| TE 100 | 05-08 | 938* | | | | | FA282R | | MD6301D |
| TE 450 S | 07-10 | FA54X* | FA54R* | MXS54* | TBA* | FA54X | FA54R | MXS54 | TBA |

JOHN DEERE

| | | | | | | | | | | |
|----------------------------------|-------|-------|--------|---------|----------|----------|--------|--------|---------|---------|
| Trail Buck 500/650 EX/EXT | Left | 04-05 | FA307X | FA307R | FA307SV | MD6245D* | FA317X | FA317R | FA317SV | MD6225D |
| | Right | | FA317X | FA317R | FA317SV | | | | | |
| Buck 500/650 EX/EXT | Left | 04-08 | FA307X | FA307R | FA307SV | MD6245D* | FA317X | FA317R | FA317SV | MD6225D |
| | Right | | FA317X | FA317R | FA317SV | | | | | |
| TX Gater Utility 9461 | | 04-05 | | FA398R* | FA398SV* | N/A* | | FA398R | FA398SV | N/A |
| TX Turf Gater 9462 | | 04-05 | | FA398R* | FA398SV* | N/A* | | FA398R | FA398SV | N/A |
| 4PX Gater 4x2/4x4 4x4 Trail 9345 | | 04-05 | | FA398R* | FA398SV* | N/A* | | FA398R | FA398SV | N/A |
| HPX Gater 4x2/4x4 9446 | | 04-08 | | FA398R* | FA398SV* | N/A* | | FA398R | FA398SV | N/A |

KTM

| | | | | | | | | | | |
|--------|--|-------|--|---------|--|----------|--|--------|--|---------|
| SX 450 | | 09-11 | | FA462R* | | MD6336C* | | FA463R | | MD6337D |
| XC 450 | | 08-11 | | FA462R* | | MD6336C* | | FA463R | | MD6337D |
| SX 505 | | 09-11 | | FA462R* | | MD6336C* | | FA463R | | MD6337D |
| XC 525 | | 08-11 | | FA462R* | | MD6336C* | | FA463R | | MD6337D |

KYMCO

| | | | | | | | | | | |
|------------------------------------|--|-------|---------|---------|--|----------|---------|---------|--|---------|
| MXer 50 Mongoose (2T) | | 04-08 | 346* | 346G* | | | 307 | 307G | | |
| Mongoose 50 (4T) (Rear disc model) | | 08-09 | 346* | 346G* | | | FA305X | FA305R | | MD6267D |
| Mongoose 70 (4T) | | 07-09 | 346* | 346G* | | | FA305 | FA305R | | MD6267D |
| Mongoose 90 | | 02-11 | 346* | 346G* | | | FA305 | FA305R | | MD6267D |
| MXer 150 | | 03-05 | 303* | 303G* | | | FA305 | FA305R | | MD6267D |
| MXU 150 | | 05-11 | 303* | 303G* | | | FA305 | FA305R | | MD6267D |
| KXR 250 Mongoose | | 04-09 | FA377X* | FA377R* | | MD6267D* | FA355* | FA355R* | | MD6268D |
| MXU 250 | | 04-10 | FA377X* | FA377R* | | MD6267D* | FA355* | FA355R* | | MD6268D |
| Mongoose 300 | | 06-11 | FA377X* | FA377R* | | MD6267D* | FA355* | FA355R* | | MD6268D |
| MXU 300 | | 05-11 | FA377X* | FA377R* | | MD6267D* | FA377X* | FA377R* | | MD6267D |

All part numbers, prefixes and suffixes shown in this catalog are unique and form a registered copyright as the property of EBC Brakes and its UK trademark owners

* symbol after part# = 2 pieces reqd. i.e. 2 pad sets or 2 contour rotors

PAD/SHOE/ROTOR Applications for ATV

ATV

KYMCO Contd.

| Year | FRONT | | | | REAR | | | | |
|-------------------------------|--------------------------------|-----------|-------------|--------------------------------|--------------------------------|-----------|-------------|--------------------------------|---------|
| | SPORT CARBON *X* PADS/SHOES | LONG LIFE | SV SERIES | STANDARD ROTOR WITHOUT PADS | SPORT CARBON *X* PADS/SHOES | LONG LIFE | SV SERIES | STANDARD ROTOR WITHOUT PADS | |
| | | SINTERED | SEVERE DUTY | | | SINTERED | SEVERE DUTY | | |
| | | *R* PADS | *SV* PADS | | | *R* PADS | *SV* PADS | | |
| Maxxer 375 4X4 IRS | 10-11 | TBA* | TBA* | TBA* | TBA | TBA | TBA | TBA | |
| MXU 375 4x4 IRS | 08-11 | FA395X* | FA395R* | FA395SV* | MD6173D* | FA395X | FA395R | FA395SV | MD6173D |
| MXU 375 4x4 IRS Parking Brake | 08-11 | FA257/2 | | | | | | | |
| MXU 500 4x4 (All models) | 06-10 | FA377X* | FA377R* | | TBA* | FA377X* | FA377R* | | TBA |
| MXU 500 4X4 IRS | 10-11 | FA600X* | FA600R* | | TBA* | FA600/2X | FA600/2R | | TBA |
| MXU 500 4X4 IRS Parking Brake | | FA377X | FA377R | | | | | | |

KYMCO SIDE X SIDE

| | | | | | | | | | |
|--------------------------|-------|---------|---------|--|------|--------|--------|--|-----|
| UXV 500 4x4 (All models) | 08-11 | FA377X* | FA377R* | | TBA* | FA377X | FA377R | | TBA |
|--------------------------|-------|---------|---------|--|------|--------|--------|--|-----|

POLARIS

| | | | | | | | | | |
|--------------------------------------|-------|---------|---------|----------|-----------|---------|---------|----------|----------|
| 50 Outlaw | 08-11 | 338* | 338G* | | | 307 | 307G | | |
| 50 Predator (2 stroke) | 04-06 | 338* | 338G* | | | 307 | 307G | | |
| Scrambler (3 Wheeler) | 85-86 | 503 | 503G | | | FA40X | | | N/A |
| 50 Scrambler | 01-03 | 338* | 338G* | | | 307 | 307G | | |
| 90 Outlaw | 07-11 | 338* | 338G* | | | 307 | 307G | | |
| 90 Predator | 03-06 | 338* | 338G* | | | 307 | 307G | | |
| 90 Scrambler X | 01-03 | 338* | 338G* | | | 307 | 307G | | |
| 90 Sportsman | 01-11 | 338* | 338G* | | | 307 | 307G | | |
| 200 Phoenix (Rear drum model) | 05 | FA83X* | FA83R* | | MD6219D* | 306 | 306G | | |
| 200 Phoenix (Rear drum model) | 06-11 | FA83X* | FA83R* | | MD6274D* | 306 | 306G | | |
| 200 Phoenix (Rear disc model) | 05-08 | FA83X* | FA83R* | | MD6274D* | FA83X | FA83R | | MD6311D |
| 200 Sawtooth | 06-07 | FA83X* | FA83R* | | MD6274D* | 306 | 306G | | |
| 200 Sawtooth Quad Rear disc model | 06 | FA83X* | FA83R* | | MD6274D* | FA83X | FA83R | | MD6311D |
| 250 2 x 4 / 4 x 4 | 90 | FA159X* | FA159R* | FA159SV* | MD6149D* | FA232X | FA232R | FA232SV | N/A |
| 250 2 x 4 / 4 x 4 | 93 | FA159X* | FA159R* | FA159SV* | MD6150D* | FA232X | FA232R | FA232SV | N/A |
| 250 Cyclone X | 87 | 503* | 503G* | | | FA40 | | | N/A |
| 250 Big Boss 4 x 6 | 89-90 | FA159X* | FA159R* | FA159SV* | MD6147D* | FA232X | FA232R | FA232SV | N/A |
| 250 Big Boss 4 x 6 Middle Axle Brake | 89-90 | FA159X* | FA159R* | FA159SV* | MD6149D | | | | |
| 250 Big Boss 4 x 6 | 91-92 | FA159X* | FA159R* | FA159SV* | MD6150D* | FA232X | FA232R | FA232SV | N/A |
| 250 Big Boss 4 x 6 Middle Axle Brake | 91-92 | FA159X* | FA159R* | FA159SV* | MD6149D | | | | |
| 250 Big Boss 6 x 6 | 91 | FA159X* | FA159R* | FA159SV* | MD6149D* | FA232X | FA232R | FA232SV | N/A |
| 250 Big Boss 6 x 6 Middle Axle Brake | 91 | FA159X | FA159R | FA159SV | MD6149D | | | | |
| 250 Big Boss 6 x 6 | 92-93 | FA159X* | FA159R* | FA159SV* | MD6150D* | FA232X | FA232R | FA232SV | N/A |
| 250 Big Boss 6 x 6 Middle Axle Brake | 92-93 | FA159X* | FA159R* | FA159SV* | MD6149D | | | | |
| 250 Trail Blazer | 90 | FA159X* | FA159R* | FA159SV* | MD6147D* | FA232X | FA232R | FA232SV | N/A |
| 250 Trail Blazer | 91-93 | FA159X* | FA159R* | FA159SV* | MD6150D* | FA232X | FA232R | FA232SV | N/A |
| 250 Trail Blazer | 94-98 | FA159X* | FA159R* | FA159SV* | MD6150D* | FA232X | FA232R | FA232SV | N/A |
| 250 Trail Blazer | 99-00 | FA159X* | FA159R* | FA159SV* | MD6155D* | FA270X | FA270R | FA270SV | MD6156D |
| 250 Trail Blazer (Freedom) | 01-04 | FA159X* | FA159R* | FA159SV* | MD6155D** | FA270X | FA270R | FA270SV | MD6156D |
| 250 Trail Blazer | 05-06 | FA159X* | FA159R* | FA159SV* | MD6282D* | N/A | FA314R | FA314SV | MD6256D |
| Trail Boss 2 x 4 | 85-87 | 503* | 503G* | | | FA40X | | | N/A |
| Trail Boss | 88-90 | FA159X* | FA159R* | FA159SV* | MD6147D* | FA232X | FA232R | FA232SV | N/A |
| 250 Trail Boss | 91-99 | FA159X* | FA159R* | FA159SV* | MD6150D* | FA232X | FA232R | FA232SV | N/A |
| Trail Boss 4 x 4 | 87 | FA54* | FA54R* | FA54SV* | MD6147D* | FA232X | FA232R | FA232SV | N/A |
| Trail Boss 2 x 4 / 4 x 4 | 88-89 | FA159X* | FA159R* | FA159SV* | MD6147D* | FA232X | FA232R | FA232SV | N/A |
| 250 Trail Boss 2 x 4 / 4 x 4 | 91-92 | FA159X* | FA159R* | FA159SV* | MD6150D* | FA232X | FA232R | FA232SV | N/A |
| 250 Xplorer (4 x 4) | 00 | FA159X* | FA159R* | FA159SV* | MD6155D** | FA270X | FA270R | FA270SV | N/A |
| 300 2 x 4 / 4 x 4 | 94-95 | FA159X* | FA159R* | FA159SV* | MD6150D* | FA232X | FA232R | FA232SV | N/A |
| 300 Big Boss 6 x 6 | 94 | FA159X* | FA159R* | FA159SV* | MD6150D* | FA232X | FA232R | FA232SV | N/A |
| 300 Big Boss 6 x 6 Middle Axle Brake | 94 | FA159X* | FA159R* | FA159SV* | MD6149D | | | | |
| 300 Hawkeye 2x4 | 06 | FA395X* | FA395R* | FA395SV* | MD6272D* | FA395X* | FA395R* | FA395SV | MD6273D* |
| 300 Hawkeye 2x4 | 08-09 | FA159X* | FA159R* | FA159SV* | MD6272D* | FA159X | FA159R | FA159SV | MD6273D |
| 300 Hawkeye 4x4 | 06 | FA395X* | FA395R* | FA395SV* | MD6272D* | FA395X* | FA395R* | FA395SV | MD6273D* |
| Hawkeye 2x4/4x4 | 07 | FA159X* | FA159R* | FA159SV* | MD6272D* | FA159X* | FA159R* | FA159SV* | MD6273D* |
| 300 Sportsman (4x4) | 08-10 | FA159X* | FA159R* | FA159SV* | MD6272D* | FA159X | FA159R | FA159SV | MD6273D |
| 300 Xplorer 4 x 4 | 96-00 | FA159X* | FA159R* | FA159SV* | MD6150D* | FA232X | FA232R | FA232SV | N/A |
| 300 / 400 Xpress L | 96-97 | FA159X* | FA159R* | FA159SV* | MD6150D* | FA232X | FA232R | FA232SV | N/A |

All part numbers, prefixes and suffixes shown in this catalog are unique and form a registered copyright as the property of EBC Brakes and its UK trademark owners

* symbol after part# = 2 pieces reqd.
i.e. 2 pad sets or 2 contour rotors

PAD/SHOE/ROTOR Applications for ATV

ATV

POLARIS Contd.

| | Year | FRONT | | | | REAR | | | |
|--|-------|--------------------------------|-----------|-------------|--------------------------------|--------------------------------|-----------|-------------|--------------------------------|
| | | SPORT CARBON *X* PADS/SHOES | LONG LIFE | SV SERIES | STANDARD ROTOR WITHOUT PADS | SPORT CARBON *X* PADS/SHOES | LONG LIFE | SV SERIES | STANDARD ROTOR WITHOUT PADS |
| | | | SINTERED | SEVERE DUTY | | | SINTERED | SEVERE DUTY | |
| | | "R" PADS | "SV" PADS | | "R" PADS | "SV" PADS | | | |
| 300 Xpress 2 x 4 | 98-00 | FA159X* | FA159R* | FA159SV* | MD6150D* | FA232X | FA232R | FA232SV | N/A |
| 325 Magnum (4 x 4) (2 x 4) | 00 | FA159X* | FA159R* | FA159SV* | MD6149D* | FA270X | FA270R | FA270SV | MD6156D |
| 325 Magnum 2x4/4x4 Mose | 01 | FA159X* | FA159R* | FA159SV* | MD6155D* | FA270X | FA270R | FA270SV | MD6156D |
| 325 Magnum (2 x 4) HDS | 02 | | FA159R* | FA159SV* | MD6155D* | N/A | FA314R | FA314SV | MD6200D |
| 325 Magnum 4 x 4 (A02CD32AA/AB/AC) | 02 | | FA159R* | FA159SV* | MD6155D* | N/A | FA314R | FA314SV | MD6200D |
| 325 Magnum 4 x 4 HDS (A02CD32FB) | 02 | | FA159R* | FA159SV* | MD6202D* | N/A | FA314R | FA314SV | MD6200D |
| 325 Trail Boss | 00 | FA159X* | FA159R* | FA159SV* | MD6155D** | FA270X | FA270R | FA270SV | MD6156D |
| 325 Trail Boss | 01-02 | FA159X* | FA159R* | FA159SV* | MD6155D** | FA270X | FA270R | FA270SV | MD6156D |
| 325 Xpedition | 00 | FA159X* | FA159R* | FA159SV* | MD6155D** | FA270X | FA270R | FA270SV | MD6156D |
| 325 Xpedition | 02 | | FA159R* | FA159SV* | MD6155D** | N/A | FA314R | FA314SV | MD6200D |
| 330 ATP (4x4) | 04-05 | FA159X* | FA159R* | FA159SV* | MD6202D* | FA159X* | FA159R* | FA159SV* | MD6200D |
| 330 Magnum (2x4/HDS) | 03-06 | | FA159R* | FA159SV* | MD6149D* | N/A | FA314R | FA314SV | MD6200D |
| 330 Magnum (4x4/HDS) | 03-04 | | FA159R* | FA159SV* | MD6202D* | N/A | FA314R | FA314SV | MD6200D |
| 330 Trail Boss | 03-04 | FA159X* | FA159R* | FA159SV* | MD6155D* | FA270X | FA270R | FA270SV | MD6156D |
| 330 Trail Boss | 05-09 | | FA159R* | FA159SV* | MD6262D* | N/A | FA314R | FA314SV | MD6256D |
| 330 Trail Boss | 10-11 | | FA159R* | FA159SV* | MD6202D* | N/A | FA314R | FA314SV | MD6256D |
| 330 Trail Blazer | 08-09 | | FA159R* | FA159SV* | MD6262D* | N/A | FA314R | FA314SV | MD6256D |
| 330 Trail Blazer | 10-11 | | FA159R* | FA159SV* | MD6202D* | N/A | FA314R | FA314SV | MD6256D |
| 335 Sportsman 4 x 4 | 99-00 | FA159X* | FA159R* | FA159SV* | MD6150D* | FA270X | FA270R | FA270SV | N/A |
| 335 Sportsman/Worker 4 x 4 | 99-00 | FA159X* | FA159R* | FA159SV* | MD6149D* | FA270X | FA270R | FA270SV | N/A |
| 350 L 2 x 4 | 90 | FA159X* | FA159R* | FA159SV* | MD6150D* | FA232X | FA232R | FA232SV | N/A |
| 350 L 4 x 4 | 90 | FA159X* | FA159R* | FA159SV* | MD6149D* | FA232X | FA232R | FA232SV | N/A |
| 350 L 4 x 4 | 93 | FA159X* | FA159R* | FA159SV* | MD6150D* | FA232X | FA232R | FA232SV | N/A |
| 350 Big Boss L | 93 | FA159X* | FA159R* | FA159SV* | MD6149D* | FA232X | FA232R | FA232SV | N/A |
| 350 Big Boss L Middle Axle Brake | 93 | FA159X* | FA159R* | FA159SV* | MD6149D | | | | |
| 350 Sportsman 4 x 4 | 93 | FA159X* | FA159R* | FA159SV* | MD6149D* | FA232X | FA232R | FA232SV | N/A |
| 350 Trail Boss L 2 x 4 | 91-93 | FA159X* | FA159R* | FA159SV* | MD6150D* | FA232X | FA232R | FA232SV | N/A |
| 350 Trail Boss L 4 x 4 | 91 | FA159X* | FA159R* | FA159SV* | MD6149D* | FA232X | FA232R | FA232SV | N/A |
| 400 L 2 x 4 | 94-95 | FA159X* | FA159R* | FA159SV* | MD6150D* | FA232X | FA232R | FA232SV | N/A |
| 400 L 4 x 4 | 94 | FA159X* | FA159R* | FA159SV* | MD6149D* | FA232X | FA232R | FA232SV | N/A |
| 400 Big Boss L 6 x 6 | 94-95 | FA159X* | FA159R* | FA159SV* | MD6149D* | FA232X | FA232R | FA232SV | N/A |
| 400 Big Boss L 6 x 6 Middle Axle Brake | 94-95 | FA159X* | FA159R* | FA159SV* | MD6149D | | | | |
| 400 Big Boss L 6 x 6 | 96 | FA159X* | FA159R* | FA159SV* | MD6149D* | FA232X | FA232R | FA232SV | N/A |
| 400 Big Boss L 6 x 6 Middle Axle Brake | 96 | | FA273R* | | MD6153D | | | | |
| 400 Big Boss L 6 x 6 | 97 | FA159X* | FA159R* | FA159SV* | MD6149D* | FA232X | FA232R | FA232SV | N/A |
| 400 Big Boss L 6 x 6 Middle Axle Brake | 97 | FA159X* | FA159R* | FA159SV* | MD6149D | | | | |
| 400 Scrambler L 4 x 4 | 95-97 | FA159X* | FA159R* | FA159SV* | MD6150D* | FA232X | FA232R | FA232SV | N/A |
| 400 Scrambler (2 x 4 / 4 x 4) | 00 | FA159X* | FA159R* | FA159SV* | MD6155D* | FA270X | FA270R | FA270SV | MD6156D |
| 400 Scrambler 4 x 4 | 98-02 | FA159X* | FA159R* | FA159SV* | MD6155D** | FA270X | FA270R | FA270SV | MD6156D |
| 400 Scrambler 2 x 4 | 02 | FA159X* | FA159R* | FA159SV* | MD6155D** | FA270X | FA270R | FA270SV | MD6156D |
| 400 Sport L | 94-98 | FA159X* | FA159R* | FA159SV* | MD6150D* | FA232X | FA232R | FA232SV | N/A |
| 400 Sport | 99-00 | FA159X* | FA159R* | FA159SV* | MD6150D* | FA270X | FA270R | FA270SV | MD6156D |
| 400 Sportsman L 4 x 4 | 94-97 | FA159X* | FA159R* | FA159SV* | MD6149D* | FA232X | FA232R | FA232SV | N/A |
| 400 Sportsman | 01-02 | FA159X* | FA159R* | FA159SV* | MD6149D* | FA270X | FA270R | FA270SV | N/A |
| 400 Sportsman 400 | 03-05 | | FA159R* | FA159SV* | MD6149D* | N/A | FA314R | FA314SV | N/A |
| 400 Sportsman HO 4x4 | 08-11 | FA159X* | FA159R* | FA159SV* | MD6272D* | FA159X* | FA159R* | FA159SV* | MD6273D |
| 400 Trail Blazer | 03 | FA159X* | FA159R* | FA159SV* | MD6155D* | FA270X | FA270R | FA270SV | MD6156D |
| 400 Xplorer L 4 x 4 | 95-98 | FA159X* | FA159R* | FA159SV* | MD6149D* | FA232X | FA232R | FA232SV | N/A |
| 400 Xplorer L (4 x 4) | 99-00 | FA159X* | FA159R* | FA159SV* | MD6149D* | FA270X | FA270R | FA270SV | MD6169D |
| 400 Xplorer 4x4 | 01-02 | FA159X* | FA159R* | FA159SV* | MD6155D* | FA270X | FA270R | FA270SV | MD6156D |
| 400 Xplorer | 01-02 | FA159X* | FA159R* | FA159SV* | MD6149D* | FA270X | FA270R | FA270SV | MD6169D |
| 425 Magnum 2 x 4 | 95-98 | FA159X* | FA159R* | FA159SV* | MD6150D* | FA232X | FA232R | FA232SV | N/A |
| 425 Magnum 4 x 4 | 95-98 | FA159X* | FA159R* | FA159SV* | MD6149D* | FA232X | FA232R | FA232SV | N/A |
| 425 Magnum 6 x 6 | 96 | FA159X* | FA159R* | FA159SV* | MD6149D* | FA232X | FA232R | FA232SV | N/A |
| 425 Magnum 6 x 6 Middle Axle Brake | 96 | | FA273R | | MD6153D | | | | |
| 425 Magnum 6 x 6 | 97 | FA159X* | FA159R* | FA159SV* | MD6149D* | FA232X | FA232R | FA232SV | N/A |
| 425 Magnum 6 x 6 Middle Axle Brake | 97 | FA159X* | FA159R* | FA159SV* | MD6149D* | | | | |
| 425 Xpedition (4 x 4) | 00 | FA159X* | FA159R* | FA159SV* | MD6149D* | FA270X | FA270R | FA270SV | MD6156D |

▶ Supermoto oversize disc conversion available for this disc - see page 335.

All part numbers, prefixes and suffixes shown in this catalog are unique and form a registered copyright as the property of EBC Brakes and its UK trademark owners

* symbol after part# = 2 pieces reqd. i.e. 2 pad sets or 2 contour rotors

PAD/SHOE/ROTOR Applications for ATV

ATV

POLARIS Contd.

| | | FRONT | | | | REAR | | | |
|---|-------|--|-------------------------|--------------------------|--|--|-------------------------|--------------------------|--|
| | | SPORT CARBON <small>"X" PADS/SHOES</small> | LONG LIFE | SV SERIES | STANDARD ROTOR <small>WITHOUT PADS</small> | SPORT CARBON <small>"X" PADS/SHOES</small> | LONG LIFE | SV SERIES | STANDARD ROTOR <small>WITHOUT PADS</small> |
| | | | SINTERED | SEVERE DUTY | | | SINTERED | SEVERE DUTY | |
| | | | <small>"R" PADS</small> | <small>"SV" PADS</small> | | | <small>"R" PADS</small> | <small>"SV" PADS</small> | |
| Year | | | | | | | | | |
| 450 S Outlaw | 08 | | FA456R* | | MD6219D* | FA159X | FA159R | | MD6218D |
| 450 Outlaw MXR | 09-10 | | FA456R* | | MD6219D* | FA159X | FA159R | | MD6290D |
| 450 Sportsman | 06 | | FA159R* | FA159SV* | MD6202D* | N/A | FA314R | FA314SV | MD6201D |
| 450 Sportsman | 07 | | FA159R* | FA159SV* | MD6202D* | N/A | FA314R | FA314SV | MD6275D |
| 455cc Diesel 4 x 4 EBS | 99-00 | FA159X* | FA159R* | FA159SV* | MD6149D* | FA270X | FA270R | FA270SV | N/A |
| 455cc Diesel | 01 | FA159X* | FA159R* | FA159SV* | MD6149D* | FA270X | FA270R | FA270SV | N/A |
| 500 ATP H0 (4x4) | 04-05 | FA159X* | FA159R* | FA159SV* | MD6202D* | FA159X* | FA159R* | FA159SV* | MD6200D |
| 500 ATV Pro 4x4 PPS | 02 | | FA159R* | FA159SV* | MD6202D* | N/A | FA314R | FA314SV | MD6200D |
| 500 Big Boss 6 x 6 | 98-99 | FA159X* | FA159R* | FA159SV* | MD6149D* | FA232X | FA232R | FA232SV | N/A |
| 500 Big Boss 6 x 6 Middle Axle Brake | 98-99 | FA159X* | FA159R* | FA159SV* | MD6149D | | | | |
| 500 Magnum (4 x 4) | 99-00 | FA159X* | FA159R* | FA159SV* | MD6149D* | FA270X | FA270R | FA270SV | MD6156D |
| 500 Magnum | 01 | FA159X* | FA159R* | FA159SV* | MD6149D* | FA270X | FA270R | FA270SV | MD6156D |
| 500 Magnum (2 x 4/4 x 4 HDS) | 02 | | FA159R* | FA159SV* | MD6149D* | N/A | FA314R | FA314SV | MD6200D |
| 500 Magnum 4x4 HDS | 02-03 | | FA159R* | FA159SV* | MD6202D* | N/A | FA314R | FA314SV | MD6200D |
| 500 Outlaw | 06-07 | FA159X* | FA159R* | FA159SV* | MD6219D | FA159X | FA159R | FA159SV | MD6290D |
| 500 Predator/TLD | 03-07 | FA159X* | FA159R* | FA159SV* | MD6219D* | FA159X | FA159R | FA159SV | MD6218D |
| 500 Scrambler 2x4 | 01-02 | FA159X* | FA159R* | FA159SV* | MD6155D** | FA270X | FA270R | FA270SV | MD6156D |
| 500 Scrambler 2x4 | 07-08 | | FA159R* | FA159SV* | MD6262D* | N/A | FA314R | FA314SV | MD6256D |
| 500 Scrambler 4 x 4 | 97 | FA159X* | FA159R* | FA159SV* | MD6150D* | FA232X | FA232R | FA232SV | N/A |
| 500 Scrambler 4 x 4 | 98-04 | FA159X* | FA159R* | FA159SV* | MD6155D** | FA270X | FA270R | FA270SV | MD6156D |
| 500 Scrambler 4 x 4 | 05-09 | | FA159R | FA159SV | MD6155D** | N/A | FA314R | FA314SV | MD6256D |
| 500 Scrambler 4x4 | 10-11 | | FA159R* | FA159SV* | MD6202D* | N/A | FA314R | FA314SV | MD6256D |
| 500 Sportsman 4 x 4 | 96 | FA159X* | FA159R* | FA159SV* | MD6149D* | FA232X | FA232R | FA232SV | MD6201D |
| 500 Sportsman 4 x 4 | 97 | FA159X* | FA159R* | FA159SV* | MD6149D* | FA232X | FA232R | FA232SV | MD6154D |
| 500 Sportsman/Worker 4 x 4EBS /500 RSE | 98-02 | FA159X* | FA159R* | FA159SV* | MD6149D* | FA270X | FA270R | FA270SV | N/A |
| 500 Sportsman HO/EFI | 03-06 | | FA159R* | FA159SV* | MD6202D* | N/A | FA314R | FA314SV | MD6201D |
| 500 Sportsman EFI/HO | 07-08 | | FA159R* | FA159SV* | MD6202D* | N/A | FA314R | FA314SV | MD6275D |
| 500 Sportsman X2 | 06-08 | | FA159R* | FA159SV* | MD6202D* | N/A | FA314R | FA314SV | MD6275D* |
| 500 Sportsman 6 x 6 | 00-08 | | FA159R* | FA159SV* | MD6149D* | N/A | FA313R | FA313SV | MD6170D |
| 500 Sportsman X 2 EFI | 07-09 | FA159X* | FA159R* | FA159SV* | MD6202D* | FA159X | FA159R | FA159SV | MD6275D |
| 500 Sportsman Touring H.O. | 08-11 | FA159X* | FA159R* | FA159SV* | MD6202D* | FA159X* | FA159R* | FA159SV* | MD6275D* |
| 500 Sportsman EFI Quad H.O. | 08-11 | | FA159R* | FA159SV* | MD6202D* | N/A | FA314R* | FA314SV* | MD6275D* |
| 500 XP Sportsman | 09 | FA475X* | FA475R* | | MD6339D* | FA475X | FA475R | | MD6339D |
| 500 Xplorer 4 x 4 | 97 | FA159X* | FA159R* | FA159SV* | MD6149D* | FA232X | FA232R | FA232SV | N/A |
| 525 S Outlaw | 08-10 | | FA456R* | | MD6219D* | FA159X | FA159R | | MD6290D |
| 525 Outlaw IRS | 08-11 | | FA456R* | | MD6219D* | FA159X | FA159R | | MD6290D |
| 550 Sportsman XP EPS | 09-11 | FA475X* | FA475R* | | MD6339D* | FA475X | FA475R | | MD6339D |
| 550 XP Sportsman EPS | 09-11 | FA475X* | FA475R* | | MD6339D* | FA475X | FA475R | | MD6339D |
| 550 Sportsman X2 | 10-11 | FA475X* | FA475R* | | MD6339D* | FA475X | FA475R | | MD6339D |
| 600 Sportsman 4x4 | 03-05 | | FA159R* | FA159SV* | MD6202D* | N/A | FA314R | FA314SV | MD6201D |
| 700 Sportsman (4x4)/EFI | 02-06 | | FA159R* | FA159SV* | MD6202D* | N/A | FA314R | FA314SV | MD6201D |
| 700 Sportsman MV | 05-06 | | FA159R* | FA159SV* | MD6202D* | N/A | FA314R | FA314SV | MD6201D |
| 700 Sportsman EFI | 07 | | FA159R* | FA159SV* | MD6202D* | N/A | FA314R | FA314SV | MD6275D |
| 700 Sportsman X 2 | 08 | FA159X* | FA159R* | FA159SV* | MD6202D* | FA159X | FA159R | FA159SV | MD6275D |
| 800 Sportsman EFI | 05-07 | | FA159R* | FA159SV* | MD6202D* | N/A | FA314R | FA314SV | MD6201D |
| 800 Sportsman X 2 EFI | 07-09 | FA159X* | FA159R* | FA159SV* | MD6202D* | FA159X* | FA159R* | FA159SV* | MD6275D |
| 800 Sportsman EFI Intl/HO | 07-11 | | FA159R* | FA159SV* | MD6202D* | N/A | FA314R | FA314SV | MD6275D |
| 800 Sportsman Touring/EFI | 08-09 | FA159X* | FA159R* | FA159SV* | MD6202D* | FA159X* | FA159R* | FA159SV* | MD6275D |
| 800 Sportsman EFI 6x6 Big Boss | 09-11 | FA159X* | FA159R* | FA159SV* | MD6202D* | FA159X* | FA159R* | FA159SV* | MD6275D |
| 850 XP Sportsman | 09-11 | FA475X* | FA475R* | | MD6339D* | FA475X | FA475R | | MD6339D |
| 850 XP EPS Sportsman | 09-11 | FA475X* | FA475R* | | MD6339D* | FA475X | FA475R | | MD6339D |
| *NOTE: Plain edged rotor will not allow fitment of optional speedo pick up. | | | | | | | | | |

POLARIS SIDE X SIDE MODELS

| | | | | | | | | | |
|-----------------------|-------|---------|---------|----------|----------|-----|--------|---------|---------|
| Ranger RZR 170 | 09-11 | N/A | FA490R* | N/A | MD6353D* | N/A | FA489R | N/A | MD6344D |
| PPS/PTV 4x4/Series 10 | | FA159X* | FA159R* | FA159SV* | MD6202D* | N/A | FA314R | FA314SV | MD6200D |
| PPS/PTV 6x6/Series 10 | | FA159X* | FA159R* | FA159SV* | MD6149D* | N/A | FA313R | FA313SV | MD6200D |

All part numbers, prefixes and suffixes shown in this catalog are unique and form a registered copyright as the property of EBC Brakes and its UK trademark owners

* symbol after part# = 2 pieces reqd.
i.e. 2 pad sets or 2 contour rotors

PAD/SHOE/ROTOR Applications for ATV

ATV

POLARIS SIDE X SIDE MODELS CONTD.

| Year | FRONT | | | | REAR | | | | |
|-------------------------------------|--------------------------------|-----------|-------------|--------------------------------|--------------------------------|-----------|-------------|--------------------------------|----------|
| | SPORT CARBON "X" PADS/SHOES | LONG LIFE | SV SERIES | STANDARD ROTOR WITHOUT PADS | SPORT CARBON "X" PADS/SHOES | LONG LIFE | SV SERIES | STANDARD ROTOR WITHOUT PADS | |
| | | SINTERED | SEVERE DUTY | | | SINTERED | SEVERE DUTY | | |
| | | "R" PADS | "SV" PADS | | | "R" PADS | "SV" PADS | | |
| PPS/UTV 2x4 Series 10 | | N/A | FA354R | FA354SV | MD6202D* | N/A | FA354R | FA354SV | MD6201D |
| PPS/UTV 4x6 Series 10 | | N/A | FA354R* | FA354SV | MD6202D* | N/A | FA354R | FA354SV | MD6201D |
| 1500 PPS/UTV 2x4 Series 11 | | N/A | FA354R* | FA354SV | MD6202D* | N/A | FA354R | FA354SV | MD6201D |
| PPS LUH 6x6 | 02 | FA159X* | FA159R* | FA159SV* | MD6149D* | N/A | FA313R | FA313SV | MD6170D |
| PPS/Series 11 2x4/4x4 | | N/A | FA354R* | FA354SV* | MD6202D* | N/A | FA354R* | FA354SV* | MD6201D* |
| PPS/Series 11 6x6 | | N/A | FA354R* | FA354SV* | MD6202D* | N/A | FA354R* | FA354SV* | MD6201D* |
| Ranger Series 10 | | N/A | FA354R* | FA354SV* | MD6202D* | N/A | FA354R* | FA354SV* | MD6201D* |
| Ranger 2x4/4x4 | 04-05 | N/A | FA354R | FA354SV* | MD6202D* | N/A | FA354R* | FA354SV* | MD6201D* |
| Ranger Series 11 | | N/A | FA354R* | FA354SV* | MD6202D* | N/A | FA354R* | FA354SV* | MD6201D* |
| Ranger 6x6 | 04-05 | N/A | FA354R* | FA354SV* | MD6202D* | N/A | FA354R* | FA354SV* | MD6201D* |
| Ranger TM | 04-05 | N/A | FA354R* | FA354SV* | MD6202D* | N/A | FA354R* | FA354SV* | MD6201D* |
| Ranger TM | 06 | N/A | FA354R* | FA354SV* | MD6202D* | N/A | FA354R* | FA354SV* | MD6275D* |
| Ranger XP | 05 | N/A | FA354R* | FA354SV* | MD6202D* | N/A | FA354R* | FA354SV* | MD6201D* |
| 500 Ranger Series 10 6x6 | | N/A | FA354R* | FA354SV* | MD6202D* | N/A | FA354R* | FA354SV* | MD6201D* |
| Ranger (Note: Middle brake N/A) | 99 | FA159X* | FA159R* | FA159SV* | MD6149D* | N/A | FA273R | | N/A |
| For 6x6 model 4 rear discs required | | | | | | | | | |
| 400 Ranger HO | 10-11 | N/A | FA452R* | N/A | MD6202D* | N/A | FA354R* | N/A | MD6275D* |
| 500 Ranger (2x4/4x4) | 06-07 | N/A | FA354R* | FA354SV* | MD6202D* | N/A | FA354R* | FA354SV* | MD6275D* |
| 500 Ranger (4x4 EFI) | 06-07 | N/A | FA354R* | FA354SV* | MD6202D* | N/A | FA354R* | FA354SV* | MD6275D* |
| 500 Ranger 4x4 EFI | 08 | N/A | FA452R* | N/A | MD6202D* | N/A | FA354R* | N/A | MD6275D* |
| 500 Ranger 2x4 | 08 | N/A | FA452R* | N/A | MD6202D* | N/A | FA354R* | N/A | MD6275D* |
| 500 Ranger (Carb) 2x4 | 09 | N/A | FA452R* | N/A | MD6202D* | N/A | FA354R* | N/A | MD6275D* |
| 500 Ranger (EFI) 4x4 H.O. | 09-11 | N/A | FA452R* | N/A | MD6338D* | N/A | FA354R* | N/A | MD6275D* |
| 500 Ranger Crew | 11 | N/A | FA452R* | N/A | MD6202D* | N/A | FA354R* | N/A | MD6275D* |
| 550 Sportsman X2 | 10 | FA475X* | FA475R* | N/A | MD6339D* | FA475X | FA475R | N/A | MD6339D |
| 700 Ranger 6x6 EFI | 06-09 | N/A | FA354R* | FA354SV* | MD6202D* | N/A | FA354R* | FA354SV* | MD6275D* |
| 700 Ranger XP 4x4 | 06 | N/A | FA354R* | FA354SV* | MD6202D* | N/A | FA354R* | FA354SV* | MD6275D* |
| 700 Ranger 4x4 EFI/LE | 07 | N/A | FA354R* | FA354SV* | MD6202D* | N/A | FA354R* | FA354SV* | MD6275D* |
| 700 Ranger 4x4 EFI | 09 | N/A | FA452R* | N/A | MD6338D* | N/A | FA354R* | N/A | MD6275D* |
| 700 Ranger Crew (EFI) 4x4 | 09 | N/A | FA452R* | N/A | MD6202D* | N/A | FA452R* | N/A | MD6275D* |
| 700 Ranger 6x4 EFI | 08 | N/A | FA452R* | N/A | MD6202D* | N/A | FA354R* | N/A | MD6275D* |
| 700 Ranger XP 4x4 | 08 | N/A | FA452R* | N/A | MD6202D* | N/A | FA354R* | N/A | MD6275D* |
| 800 Ranger RZR | 08-11 | N/A | FA456R* | | MD6312D* | FA159X* | FA159R* | N/A | MD6275D* |
| 800 Ranger RZR S EFI | 09-11 | N/A | FA456R* | | MD6312D* | FA159X* | FA159R* | N/A | MD6275D* |
| 800 Ranger RZR-4 | 10-11 | N/A | FA452R* | N/A | MD6338D* | | FA354R* | N/A | MD6275D* |
| Ranger EV (Electric) | 10-11 | N/A | FA452R* | N/A | MD6202D* | N/A | FA354R* | N/A | MD6275D* |
| 800 Ranger HD | 10-11 | N/A | FA452R* | N/A | MD6338D* | N/A | FA354R* | N/A | MD6275D* |
| 800 Ranger XP | 10-11 | N/A | FA452R* | N/A | MD6338D* | N/A | FA354R* | N/A | MD6275D* |
| 800 Ranger 6 X 6 | 10-11 | N/A | FA452R* | N/A | MD6338D* | N/A | FA354R* | N/A | MD6275D* |
| 800 Ranger Crew (RGR 4X4) | 10-11 | N/A | FA452R* | N/A | MD6338D* | N/A | FA354R* | N/A | MD6275D* |
| 900 D Ranger 4X4 Diesel | 11 | N/A | FA452R* | N/A | MD6338D* | N/A | FA354R* | N/A | MD6275D* |

▶ Supermoto oversize disc conversion available for this disc - see page 335.

SYM

| | | | | | | | | | |
|----------------|-------|--------|---------|--|------|-------|--------|--|-----|
| Quadlander 300 | 07-10 | FA377* | FA377R* | | TBA* | FA377 | FA377R | | TBA |
| Quadlander 600 | 08-10 | FA54X* | FA54R* | | TBA* | FA377 | FA377R | | TBA |

TGB

| | | | | | | | | | |
|---|-------|--------|---------|---------|------|-------|--------|--------|-----|
| Outback 425 C 4x4 | 07-09 | FA377* | FA377R* | | N/A* | FA377 | FA377R | | N/A |
| Outback 425 SE 4x4 Auto | 07-09 | FA377* | FA377R* | | N/A* | FA377 | FA377R | | N/A |
| Outback 425 Real Tree Camo Edition 4x4 Auto | 07-09 | | FA377* | FA377R* | | N/A* | FA377 | FA377R | N/A |

U.M. (United Motors)

| | | | | | | | | | |
|------------------|-------|------|--|--|--|-------|-------|--|-----|
| Moontrax 50 R | 03-06 | TBA* | | | | FA83X | FA83R | | N/A |
| Squirt 50 | 04-05 | TBA* | | | | TBA | | | |
| Dirt Thrasher 90 | 04-05 | TBA* | | | | TBA | | | |
| Earthlander 90 R | 05-06 | TBA* | | | | FA83X | FA83R | | N/A |
| Moontrax 90 R | 03-06 | TBA* | | | | FA83X | FA83R | | N/A |
| Reptile 90 | 00-05 | TBA* | | | | TBA | | | |

All part numbers, prefixes and suffixes shown in this catalog are unique and form a registered copyright as the property of EBC Brakes and its UK trademark owners

* symbol after part# = 2 pieces reqd.
i.e. 2 pad sets or 2 contour rotors

PAD/SHOE/ROTOR Applications for ATV

BRAKE APPLICATIONS

ATV

U.M. (United Motors) Contd.

| | Year | FRONT | | | | REAR | | | |
|----------------------|-------|--------------------------------|-----------|-------------|--------------------------------|--------------------------------|-----------|-------------|--------------------------------|
| | | SPORT CARBON *X* PADS/SHOES | LONG LIFE | SV SERIES | STANDARD ROTOR WITHOUT PADS | SPORT CARBON *X* PADS/SHOES | LONG LIFE | SV SERIES | STANDARD ROTOR WITHOUT PADS |
| | | | SINTERED | SEVERE DUTY | | | SINTERED | SEVERE DUTY | |
| | | | *R* PADS | *SV* PADS | | *R* PADS | *SV* PADS | | |
| Earthlander 200 | 05-06 | TBA* | | | | FA83X | FA83R | | N/A |
| Bull 320 Side x Side | 08 | TBA* | | | N/A* | TBA | | | N/A |
| MTX 450 | 08 | FA54X* | FA54R* | MXS54* | N/A* | FA54X | FA54R | MXS54 | N/A |
| UNISON | | | | | | | | | |
| Desert Cat Mini 50 | 06 | TBA* | | | | TBA | | | N/A |
| Desert Cat 70 | 06 | TBA* | | | | TBA | | | N/A |
| Desert Cat 90 | 06 | TBA* | | | | TBA | | | N/A |
| Desert Cat 150 | 06 | TBA* | | | | TBA | | | N/A |
| Black Widow 150 | 06 | TBA* | | | | TBA | | | N/A |
| | | | | | | | | | |
| | | | | | | | | | |
| | | | | | | | | | |
| | | | | | | | | | |
| | | | | | | | | | |
| | | | | | | | | | |
| | | | | | | | | | |
| | | | | | | | | | |
| | | | | | | | | | |
| | | | | | | | | | |
| | | | | | | | | | |
| | | | | | | | | | |
| | | | | | | | | | |
| | | | | | | | | | |
| | | | | | | | | | |
| | | | | | | | | | |
| | | | | | | | | | |
| | | | | | | | | | |
| | | | | | | | | | |
| | | | | | | | | | |
| | | | | | | | | | |
| | | | | | | | | | |
| | | | | | | | | | |
| | | | | | | | | | |
| | | | | | | | | | |
| | | | | | | | | | |

All part numbers, prefixes and suffixes shown in this catalog are unique and form a registered copyright as the property of EBC Brakes and its UK trademark owners

* symbol after part# = 2 pieces reqd.
i.e. 2 pad sets or 2 contour rotors

▲ Supermoto oversize disc conversion available for this disc - see page 335.

DEALER TOP SELLERS/RECOMMENDED STOCK GUIDE

CHANGES FOR 2011 SHOWN IN RED

| HONDA | YAMAHA | KAWASAKI | SUZUKI | ACCESSORY STORE | | | | | |
|-------------|--------|---------------|--------|-----------------|----|--------------|---|---------------|---|
| FA12 (S) | 1 | FA33 (S) | 2 | FA13 (S) | 1 | FA208R (KTM) | 2 | | |
| FA13 (S) | 1 | FA36 (S) | 4 | FA18 (S) | 2 | FA216/3 (S) | 2 | | |
| FA29 (S) | 4 | FA21R (A) | 1 | FA38 (S) | 2 | FA226 (S) | 2 | | |
| FA30 (S) | 2 | FA37 (S) | 1 | FA51 (S) | 2 | FA21X (A) | 1 | FA407 (BMW) | 2 |
| FA31 (S) | 2 | FA55 (S) | 1 | FA54X (D) | 2 | FA22 (BMW) | 2 | FA249 (S) | 2 |
| FA32 (S) | 1 | FA62 (S) | 2 | FA54R (D) | 1 | FA29 (S) | 1 | FA252 (S) | 2 |
| FA40 (A) | 1 | FA67X (D) | 3 | FA54R (D) | 1 | FA32 (S) | 2 | FA363 (BMW) | 1 |
| FA54X (D) | 2 | FA67R (D) | 3 | FA63 (S) | 10 | FA33 (S) | 2 | FA368R (KTM) | 2 |
| FA54R (D) | 2 | FA70 (S) | 6 | FA65 (S) | 2 | FA34 (S) | 3 | FA346R(D) | 2 |
| FA69 (S) | 10 | FA73 (S) | 2 | FA84R (A) | 2 | FA36 (S) | 3 | FA367R(D) | 2 |
| FA69/2 (S) | 2 | FA83X (D) | 2 | FA84X (A) | 2 | FA38 (S) | 2 | FA368R (D) | 2 |
| FA69/3 (S) | 10 | FA83R (D) | 1 | FA84/3R (A) | 1 | FA41 (S) | 2 | | |
| FA84R (A) | 10 | FA84R (A) | 2 | FA103 (S) | 8 | FA45 (S) | 2 | FA63HH (S) | 2 |
| FA84X (A) | 8 | FA84X (A) | 2 | FA106X (D) | 1 | FA51 (S) | 2 | FA69HH (S) | 2 |
| FA84/2R (A) | 1 | FA85 (S) | 10 | FA128X (D/A) | 4 | FA54X (D/A) | 2 | FA69/3HH (S) | 2 |
| FA86 (S) | 2 | FA128R (A) | 2 | FA128R (D/A) | 2 | FA54R (D/A) | 2 | FA85HH (S) | 2 |
| FA90 (S) | 1 | FA128X (A) | 2 | FA129 (S) | 4 | FA61 (S) | 2 | FA88HH (S) | 2 |
| FA92X (D/A) | 2 | FA129 (S) | 10 | FA135X (D) | 2 | FA62 (S) | 2 | FA123HH (S) | 2 |
| FA92R (D/A) | 1 | FA130X (D) | 2 | FA135R (D) | 2 | FA63 (S) | 6 | FA129HH (S) | 2 |
| FA111X (A) | 1 | FA131X (D) | 2 | FA137R (A) | 3 | FA65 (S) | 2 | FA142HH (S) | 2 |
| FA111R (A) | 1 | FA131R (D) | 2 | FA137X (A) | 1 | FA68 (S) | 5 | FA158HH (S) | 2 |
| FA121 (S) | 2 | FA135X (D) | 2 | FA142 (S) | 2 | FA69 (S) | 6 | FA161HH (S) | 2 |
| FA124 (S) | 2 | FA135R (D) | 2 | FA145 (S) | 6 | FA69/2 (S) | 2 | FA187HH (S) | 2 |
| FA124/2 (S) | 6 | FA137R (A) | 2 | FA146 (S) | 6 | FA69/3 (S) | 3 | FA188HH (S) | 2 |
| FA125X (D) | 2 | FA141 (S) | 2 | FA147X (S) | 1 | FA70 (S) | 2 | FA192HH (S) | 1 |
| FA125R (D) | 2 | FA152X (D) | 6 | FA152X (D) | 4 | FA81 (S) | 2 | FA226HH (S) | 2 |
| FA131X (D) | 4 | FA152R (D) | 6 | FA152X (D) | 4 | FA84R (A) | 3 | FA252HH (S) | 2 |
| FA131R (D) | 4 | FA152/2X (D) | 1 | FA152/2R (D) | 1 | FA84X (D) | 1 | FA261HH (S) | 2 |
| FA140 (S) | 1 | FA158 (S) | 3 | FA152/2R (D) | 1 | FA85 (S) | 4 | FA265HH (S) | 2 |
| FA142 (S) | 2 | FA161 (S) | 8 | FA157X (D) | 1 | FA88 (S) | 6 | FA294HH (BMW) | 2 |
| FA174 (S) | 2 | FA165X (D) | 1 | FA158 (S) | 2 | FA90 (S) | 2 | FA296HH (S) | 2 |
| FA185X (D) | 3 | FA185X (D) | 1 | FA188 (S) | 6 | FA95 (S) | 2 | FA335HH (BMW) | 2 |
| FA185R (D) | 2 | FA188 (S) | 2 | FA222 (S) | 2 | FA101X (A) | 2 | FA363HH (BMW) | 1 |
| FA187 (S) | 2 | FA192 (S) | 1 | FA229 (S) | 2 | FA103 (S) | 2 | FA369/4HH(S) | 2 |
| FA189 (S) | 2 | FA229 (S) | 2 | FA231 (S) | 2 | FA104 (S) | 1 | FA379HH(S) | 2 |
| FA196 (S) | 2 | FA231 (S) | 1 | FA237X (S) | 1 | FA121 (S) | 2 | FA380HH(S) | 2 |
| FA203 (S) | 4 | FA249 (S) | 2 | FA249 (S) | 2 | FA123 (S) | 2 | FA381HH(S) | 1 |
| FA226 (S) | 4 | FA254 (S) | 1 | FA254 (S) | 1 | FA124 (S) | 2 | FA387HH(S) | 1 |
| FA410X (A) | 1 | FA302R (D) | 1 | FA419 (S) | 1 | FA124/2 (S) | 2 | FA390HH(S) | 2 |
| FA410R (A) | 1 | FA68HH (S) | 2 | FA436 (S) | 1 | FA125X (D) | 2 | FA442/4HH(S) | 2 |
| FA436 (S) | 2 | FA85HH (S) | 2 | FA496 | 1 | FA125R (D) | 1 | FA447HH(S) | 4 |
| | | FA129HH (S) | 2 | FA63HH (S) | 4 | FA128R (D) | 2 | FA491HH | 2 |
| | | FA158HH (S) | 4 | FA103HH (S) | 2 | FA129 (S) | 4 | FA604/4HH | 2 |
| | | FA161HH (S) | 2 | FA142HH (S) | 2 | FA131X (D) | 1 | | |
| | | FA188HH (S) | 2 | FA145HH (S) | 2 | FA135X (D) | 1 | HARLEY | |
| | | FA192HH (S) | 2 | FA146HH (S) | 2 | FA135R (D) | 1 | DAVIDSON | |
| | | FA229HH (S) | 2 | FA150HH (S) | 2 | FA140 (S) | 1 | FA71 | 2 |
| | | FA231HH (S) | 2 | FA158HH (S) | 4 | FA142 (S) | 2 | FA72 | 2 |
| | | FA249HH (S) | 2 | FA188HH (S) | 6 | FA145 (S) | 2 | FA78 | 1 |
| | | FA347HH (S) | 4 | FA369/4HH (S) | 4 | FA146 (S) | 2 | FA94 | 4 |
| | | FA369/4HH (S) | 4 | FA379HH (S) | 4 | FA152X (D) | 1 | FA200 | 2 |
| | | FA379HH (S) | 4 | FA417/4HH (S) | 2 | FA152R (D) | 1 | FA201 | 1 |
| | | | | MXS258 (D) | 1 | FA152/2X (D) | 1 | FA381 | 2 |
| | | MXS135 (D) | 2 | MXS135 (D) | 2 | FA158 (S) | 4 | FA387 | 1 |
| | | MXS185 (D) | 2 | MXS185 (D) | 2 | FA160 (S) | 2 | FA400 | 2 |
| | | MXS152 (D) | 2 | MXS152 (D) | 2 | FA161 (S) | 2 | FA409 | 2 |
| | | MXS131 (D) | 2 | MXS152/2 (D) | 1 | FA171 (BMW) | 2 | FA434 | 2 |
| | | MXS84 (D) | 1 | MXS131 (D) | 2 | FA174 (S) | 1 | | |
| | | MXS367(D) | 2 | MXS367(D) | 2 | FA179 (S) | 2 | FA94HH | 4 |
| | | | | | | FA181R (KTM) | 2 | FA200HH | 2 |
| MXS54 (D) | 2 | | | MXS54 (D) | 1 | FA185X (D) | 2 | FA201HH | 1 |
| MXS84 (D) | 2 | | | MXS135 (D) | 1 | FA187 (S) | 2 | FA381HH | 2 |
| MXS125 (D) | 2 | | | MXS185 (D) | 2 | FA188 (S) | 2 | FA387HH | 1 |
| MXS131 (D) | 2 | | | MXS152 (D) | 2 | FA192 (S) | 1 | FA400HH | 2 |
| MXS131 (D) | 2 | | | MXS152/2 (D) | 1 | FA196 (S) | 2 | FA409HH | 2 |
| MXS185 (D) | 2 | | | MXS131 (D) | 2 | FA203 (S) | 2 | FA434HH | 2 |
| MXS185 (D) | 2 | | | MXS367(D) | 2 | | | FA457HH | 2 |
| MXS346 (D) | 4 | | | | | | | FA458HH | 2 |
| | | | | | | | | | |

(S)=Street Fitment (D)=Dirt (A)=ATV (D/A)=Dirt & ATV

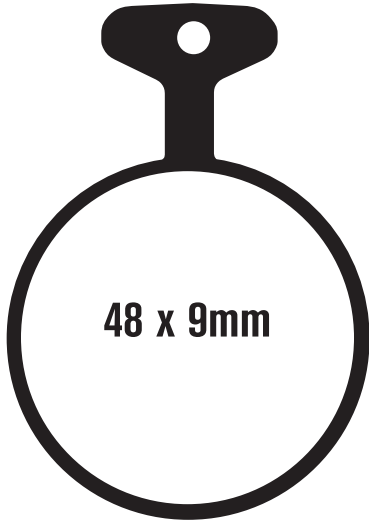
ROAD RACING APPLICATIONS

| Make & Model | Year | FRONT | | | | REAR | | |
|-------------------------|-------|-----------------------|---------------------------------|------------------|-------------------|-----------------------|-----------------------------|-------------|
| | | Organic Pads or Shoes | Sintered/ HH Pads Grooved shoes | Brake Rotor Left | Brake Rotor Right | Organic Pads or Shoes | Sintered Pads Grooved shoes | Brake Rotor |
| HONDA | | | | | | | | |
| RS 125 | 88-89 | FA124 | FA124HH | | MD733RD | FA151 | | MD713 |
| RS 125 | 90-94 | FA226 | GFA226HH | | MD1003XC | FA151 | | MD713 |
| RS 125 | 95-03 | FA239 | GFA239HH | | MD1003XC | FA151 | | MD713 |
| RS 125 (Radial caliper) | 04-07 | | GFA347HH | | MD1003XC | FA151 | | MD713 |
| RS 250 | 88-89 | FA124* | FA124HH* | MD1003XC | MD1003XC | FA151 | | MD724 |
| RS 250 | 90-94 | FA226* | EPFA226HH* | MD1003XC | MD1003XC | FA151 | | MD724 |
| RS 250 | 95-02 | FA239* | EPFA239HH* | MD1003XC | MD1003XC | FA151 | | MD724 |
| YAMAHA | | | | | | | | |
| TZ 125 | 94- | FA145 | EPFA145HH | | MD711RD | FA162 | | MD732 |
| TZ 250 | 89-97 | FA145* | EPFA145HH* | MD711LD | MD711RD | FA162 | | MD732 |
| TZ 250 | 98-02 | FA145* | EPFA145HH* | MD730LD | MD730RD | FA162 | | MD732 |
| TZ 250 (Radial Caliper) | 03- | | EPFA347HH* | MD730LD | MD730RD | FA162 | | MD732 |

PADS FOR AFTERMARKET CALIPERS

| PERFORMANCE MACHINE | PART # | LOCKHEED/AP | |
|--|---------------------|---|-------------------------|
| 112 X 6B | FA249 | 2 Piston (CP2195) | FA16S/EPFA16HH |
| 112 X 6QC | FA249 | 4 Piston (CP3369/4484) | FA107A |
| 112 X 6RSB | FA190 | 6 Piston type 3366/67 | FA217 |
| 112 X 6SSB | FA190 | 6 Piston type 4466/67 | EPFA263HH |
| 124 X 4HR | FA216/2 | 2 Piston type 4226-4 | N/A |
| 125 X 2 | | 4 piston race caliper Ref CP4484 Radial Mount | N/A |
| 125 X 4R | FA216/3 | 4 Piston 4680 | N/A |
| 125 X 4RSPH | FA216/3 | CP6688-4EOM/5EOM | N/A |
| 125 X 4S | FA115 | CP4488 4 Piston 2 Piece Radial | N/A |
| 125 X 4SL | FA115 | CP7853 4 Piston Monobloc Radial | N/A |
| 125 X 6 | FA210 | CP4680 Supermoto | N/A |
| 125 X 6QC | FA190 | HARRISON BILLET | |
| 137 X 4 | FA216/2 | Light weight 4/6 Piston | FA175 |
| 137 X 4 2006 | FA420HH | Early design 4/6 Piston | FA47 |
| 137 X 4B | FA216/3 | BREMBO | |
| 137 X 6 | FA210 | BRE 20 5185 11 (P32B) | |
| 162 X 2 | FA32 | (Single pad fixing pin) 2 piston | FA47 |
| P.V.M | | BRE 20 5161 42 (P32F) | |
| 6 Piston old design | GFA183HH | (Single pad pin fixing) 2 piston | FA47 |
| 6 Piston new design | GFA276HH | BRE 20 6950 51 (P32G) | |
| 4 Piston race caliper | FA211/2/EPFA218/2HH | (Single pad pin fixing) 2 piston | FA266 |
| JAYBRAKE | | BRE 20 6951 50/45 (P34G) | |
| Dual & Quad (300-04) (2 & 4 piston type) | FA115/FA115HH | (Single pad pin fixing) 2 piston | FA266 |
| J-Four (300-44) (4 Piston type) | FA424/FA424HH | BRE 20 7850 11/21 (P434A) | |
| J-Six (300-64) (6 Piston type) | FA243/FA243HH | (Wire clip pad retention) 4 piston | FA322/4HH |
| 6 PF-L (6 Piston) | FA455HH | BREX 98.88.70 (P2-34) | |
| Early Design 2 Piston Type | FA76 | Rear caliper (2 piston) | N/A |
| GMA | | BREX 20 61 01 (P4 24) | |
| 2 Piston rear (large) caliper model A | FA36 (CCI# 09-997) | Rear caliper (4 piston) | N/A |
| 2 Piston (small) caliper model B | FA76 (CCI# 09-996) | BREX A3 B8 60/61/30/31 Racing Radial | |
| 4 Piston model F | FA115 | Caliper 2 Piece 4 Piston (Single pin fixing) | EPFA218HH |
| IRON PEGASUS | | BREX 97 37 60/61 Radial Monoblock Racing | |
| Small caliper | FA115 | (Single pin pad fixing) 4 piston | EPFA218/2HH |
| ISR | | BRE 20 5165 55/65 Goldline 4 Piston | |
| 22-023-0A (2 piston) | FA11 | (Single pin pad fixing) | FA95 |
| 22-025-XX (4 piston) | FA47* | BRE 20 6800 10/20 4 Piston | |
| 22-026-0A (Sprocket Caliper) | FA11 | (Two pin pad fixing) | FA244/HH |
| 22-027 (2 piston caliper) | FA47 | BRE 20 4756 05/06 Billet 4 Piston | |
| 22-028 (2 piston) | FA47 | (Single pin pad fixing) | FA95 |
| 22-029 (Rear 2 piston) | FA47 | BREX 10.48.13 & 14 GP 2 Piece | |
| 22-030 (2 piston rear) | FA16 | 4 piston caliper (single pin pad fixing) | EPFA218HH |
| 22-032 (6 piston large) | FA175 x 3 | BREX 10.17.40/41 Monobloc 4 piston caliper | |
| 22-033 (2 piston HD) | FA16 | (Single pad pin fixing) | EPFA218/2HH |
| 22-034 (6 piston small) | FA184 x 3 | BREX 20.60.01 (P2-24) Rear caliper (2 Piston) | N/A |
| 22-036 (2 piston) | FA184 | BRE 20 8343 35/45 11/21 Radial Mount Goldline | |
| 22-042 (6 piston racing) | EPFA175HH x 3 | (P4 34 B) (Wire clip pad retention) | FA322/4HH |
| 22-043 (4 piston) | FA184* | X99.04 Radial Mount Caliper 4 Piston/4 Pad | |
| Radial 6 Piston Monoblock | FA184 x 3 | (2 pin pad fixing) | EPFA435/4HH |
| AMERICAN IRON HORSE | | M4 34 Monobloc Racing Radial | EPFA447HH |
| 6 Piston 03 | FA424HH | MAGURA | |
| BEHRINGER | | 4 Pot Supermotard | FA433/4 / FA433/4HH |
| (France) 6 piston | FA47 | PRO-ONE | |
| 6 Piston (endurance type 99) | FA249/2 | 2 Piston | FA47 |
| 4 Piston (central pin) | FA158 | 4 Piston | FA158 |
| 4 Piston Caliper | N/A | NOVA/LEGENDS | FA216/3 |
| 6 Piston Caliper | MXS406 | THUNDERHEART | FA216 |
| REVTECH | | MOTOMASTER | |
| CCI Polished caliper (front/rear) | FA95 (CCI# 59-110) | (4 Piston) | FA158/FA158HH/EPFA158HH |
| 6 Piston VR1000 race caliper | FA217 | WILWOOD | |
| EBC | | PS1 Caliper (Part No. 150-4091K) | FA271X/FA271R |
| 4 Piston | FA216/2 | GP 300/310 (Part No. 150-8733-2) | FA95/FA95HH |
| FTE | | GP 320 (Part No. 154-8596K) | FA95/2/ FA95/2HH |
| 4 Piston Caliper | MXS405 | | |
| 6 Piston Caliper | MXS406 | | |

FA11



YAMAHA ROAD BIKE

| | | |
|---------------------|-------|-------|
| RD 250/350 B | 75 | F |
| RD 400 C/D/E | 76-78 | F & R |
| XS 500 B | 75 | F |
| XS 2/TX 650 | 72-73 | F |
| TX 650 A/XS 650 B/C | 74-76 | F |
| TX 750/TX 750 A | 73-74 | F |

ISR CALIPERS

| | |
|------------------------------|---|
| 22-023-0A (2 piston) | F |
| 22-026-0A (Sprocket caliper) | F |

Competitor X Ref

| SBS | Vesrah | Ferodo |
|-----|--------|--------|
| 504 | VD-204 | FDB157 |

Equivalents OE#

| | |
|--------------|--------------|
| 1A1 W0045 00 | 306 25811 05 |
| 306 25811 00 | 306 25811 06 |
| 306 25811 01 | 409 W0045 00 |
| 306 25811 02 | 409 25811 00 |
| 306 25811 03 | 409 25811 01 |
| 306 25811 04 | |

Dealer Stocking Recommendation

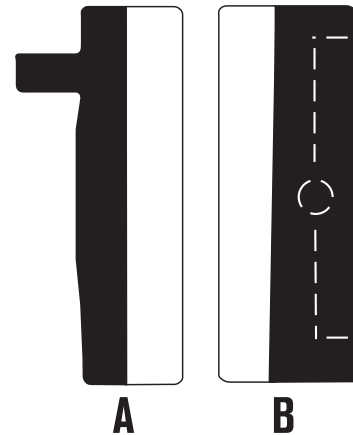
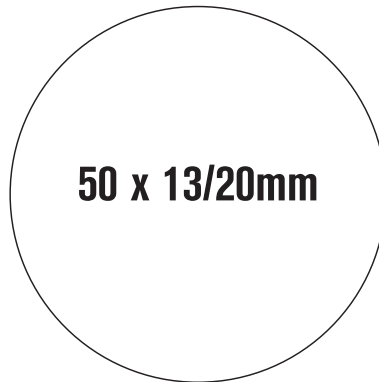
STD FA11 Black - Touring - Road

| Single/Pair | Popularity # | Rec Stocking Level |
|-------------|--------------|--------------------|
| 1 | Y31 | 1 |

FA12

HONDA ROAD BIKE

| | | |
|--------------------------|-------|---|
| CB 450 K3/K4 | 70-71 | F |
| CB 750 K1/K2/K3/K4/K5/76 | 70-76 | F |



Competitor X Ref

| SBS | Vesrah | Ferodo |
|-----|--------|--------|
| 502 | VD-101 | - |

Equivalents OE#

| | |
|-----------------|-----------------|
| 45105 300 040 A | 45106 341 000 B |
| 45105 341 000 A | 45106 341 003 B |
| 45105 341 003 A | 45106 300 004 B |

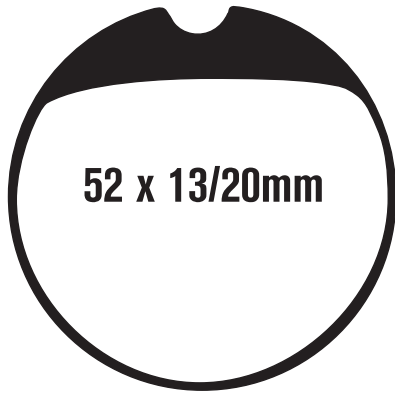
Dealer Stocking Recommendation

STD FA12 Black - Touring - Road

| Single/Pair | Popularity # | Rec Stocking Level |
|-------------|--------------|--------------------|
| 1 | H34 | 1 |

All part numbers, prefixes and suffixes shown in this catalog are unique and form a registered copyright as the property of EBC Brakes and its UK trademark owners

FA13



HONDA ROAD BIKE

| | | |
|-----------------------|-------|---|
| CB 350 F/F1/G | | F |
| CB 360 G/T/T 76 | 74-76 | F |
| CB 400 F | 75-77 | F |
| CB 450 K5-K7 | 72-74 | F |
| CB 500 K/K1/K2 | | F |
| CB 500 T/76 | 75-76 | F |
| CB 550 F | 75-77 | F |
| CB 550 K/K1/76 | 74-78 | F |
| CB 750 A 'Hondamatic' | 76-78 | F |
| CB 750 F Supersport | 75-76 | F |
| CB 750 K | 77-78 | F |

Competitor X Ref

| SBS | Vesrah | Ferodo |
|-----|-----------|--------|
| 501 | VD102-106 | FDB119 |

Equivalents OE#

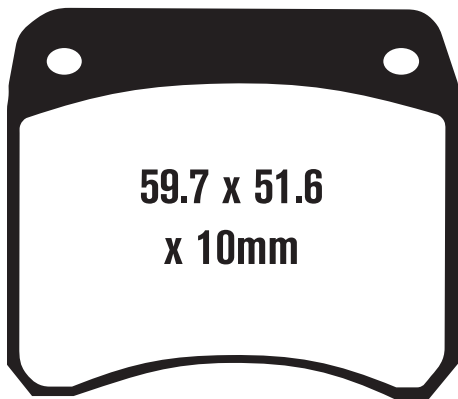
| | |
|-----------------|-----------------|
| 45102 393 700 | 45105 390 006 A |
| 45105 323 006 A | 45106 323 013 B |
| 45105 323 013 A | 45106 323 023 B |
| 45105 323 023 A | 45106 323 036 B |
| 45105 323 036 A | 45106 323 043 B |
| 45105 323 043 A | 45106 390 003 B |
| 45105 390 003 A | |

Dealer Stocking Recommendation

| Single/Pair | Popularity # | Rec Stocking Level |
|-------------|--------------|--------------------|
| 1 | H29 | 1 |

STD FA13 Black - Touring - Road

FA16



DUCATI

750 Sport 74 F

LOCKHEED

Race use 2 piston caliper (CP2195)

ISR CALIPERS

22-030 (2 piston rear) F

22-033 (2 piston HD) F

TRIUMPH (Meriden Produced Models)

T 140 V Bonneville 73-74 F

T 140 V Bonneville 75-78 F & R

T 140 Silver Jubilee Bonneville 77 F & R

T 140 E Bonneville 78-83 F & R

T 140 D Bonneville 79-81 F & R

T 140 ES (750cc) 80-81 F & R

T 140 E/ES (750cc) 81-83 F & R

T 150 V (Trident 3 cyl) 73-74 F & R

T 160 V (Trident 3 cyl) 75 F & R

TSS 750 (8 valve) 83 F & R

TSX 750 83 F & R

Competitor X Ref

| SBS | Vesrah | Ferodo |
|-----|--------|----------|
| 523 | VD-906 | FDB342/R |

Equivalents OE#

| |
|---------|
| 474/537 |
|---------|

Dealer Stocking Recommendation

| Single/Pair | Popularity # | Rec Stocking Level |
|-------------|--------------|--------------------|
| 1 | H29 | 1 |

| | | |
|---------|----------|--------------------------|
| STD | FA16 | Black - Touring - Road |
| OPTIONS | FA16HH | Sintered HH Sport - Road |
| | EPFA16HH | Sintered HH Race |
| | RFA16 | Green Race |

FA18



**55.7 x 55
x 9mm**

BMW

| | | |
|----------------------------------|-------------|-------|
| R 45/45 N (with Brembo calipers) | 78-85 | F |
| R 65 (double disc model) | 07/88-08/89 | F |
| R 65 GS | 87-92 | F |
| R 65 RT | 85-88 | F |
| R 65 LS (Brembo caliper) | 81-85 | F |
| R 65 T (Brembo caliper) | 80-85 | F |
| R 80 RT (Double disc) | 82-84 | F |
| R 80/R 80 RT (Double Disc) | 84-08/88 | F |
| R 80 GS | 80-87 | F |
| R 80 ST | 82-84 | F |
| R 80 TIC | 09/80-85 | F |
| R 100/7T (Spoke wheel) | 09/80-84 | F |
| R 100/7T (Cast wheel) | 09/80-84 | F |
| R 100 S | 09/80-80 | F & R |
| R 100 RS | 10/80-84 | F & R |
| R 100 RS | 86-08/88 | F |
| R 100 RT | 87-08/88 | F |
| R 100 RT | 10/80-84 | F & R |
| R 1100 RS | 92-01 | R |
| K 75/75-2 | 84-07/90 | F |
| K 75/75-2 (ABS Model) | 08/90-96 | R |
| K 75 C | 85-08/88 | F |
| K 75 RT | 89-96 | R |
| K 75 S (Non ABS) | 85-09/88 | F & R |
| K 75 S (Non ABS Model) | 09/88-95 | R |
| K 75 S (ABS Model) | 85-09/88 | F & R |
| K 75 S (ABS Model) | 09/88-95 | R |
| K 100 (Non ABS - 8 valve model) | 82-09/88 | F & R |
| K 100/2 | 87-08/88 | F & R |
| K 100/2 | 09/88-90 | R |
| K 100 LT | 86-08/88 | F & R |
| K 100 LT | 09/88-91 | R |
| K 100 RS/RT | 83-09/88 | F & R |
| K 100 RS/RT | 10/88-89 | R |
| K 100 RS (16 valve models) | 89-92 | R |
| K1 (16 valve models) | 88-93 | R |
| K 1100 LT | 89-99 | R |
| K 1100 RS | 92-96 | R |

Equivalents OE#

| Competitor X Ref | | |
|------------------|-----------------|----------------|
| SBS | Vesrah | Ferodo |
| 506 | VD907 | FDB108/148 |
| 34 11 1 451 995 | 34 21 2 332 998 | 61654630 |
| 34 11 1 454 724 | 14654601 | 000 2865 46010 |
| 34 11 1 458 388 | 14654650 | 000 1865 46600 |
| 34 11 2 301 360 | 0795 39 856 | 000 2865 46010 |
| 34 21 7 657 025 | 0797 39 856 | |
| 34 21 1 236 221 | 0960 39 656 | |

BMW Contd.

| | | |
|--|-------|--------|
| K 1200 RS | 96-05 | R |
| K 1200 GT | 03-06 | R |
| DUCATI | | |
| 250/350/450 Desmo | 74-77 | F |
| 600 Pantah | 81 | F |
| 650 Pantah | -84 | F & R |
| 750 SS | 75-76 | F & R |
| 751 F1 | | 86 F & |
| R | | |
| 750 Paso | 87-90 | F |
| 750 Sport | 88-90 | F & R |
| 860 GT/GTS | 75-76 | F & R |
| 900 GTS | 75-76 | F & R |
| 900 SS - Darmah | 76-78 | F & R |
| 900 Hailwood Replica | 79 | F & R |
| 906 Paso | 88-89 | F & R |
| 1000 R1 Hailwood Replica | 84 | F & R |
| INDIAN | | |
| Chief Blackhawk | 11 | R |
| Chief Blackhawk Dark | 11 | R |
| Chief Class | 11 | R |
| Chief Deluxe (Brembo calipers) | 09-10 | R |
| Chief Roadmaster (Brembo calipers) | 09-11 | R |
| Chief Standard (Brembo calipers) | 09-11 | R |
| Chief Vintage (Brembo calipers) | 09-11 | R |
| Dark Horse (Brembo calipers) | 10-11 | R |
| Bomber (Brembo calipers) | 10-11 | R |
| LAVERDA | | |
| Jota 1000 | 76 | F & R |
| RGS 1000 | 83 | F & R |
| Mirage 1200 | 76 | F & R |
| MOTO GUZZI | | |
| 850 II/III Le Mans | 78-84 | F & R |
| 850 T3/T4/T5 | 79-88 | F & R |
| California 1000 II/III | 83-93 | F & R |
| 1000 SP II/III | 83-94 | F & R |
| 1000 GT | 87-91 | F & R |
| 1000 S | 89-94 | F & R |
| 1000 Le-Mans | 84-93 | F & R |
| Strada 1000 | 93-94 | F & R |
| California 1100 | 94-97 | F & R |
| MUZ | | |
| 500 Country | 93-98 | F |
| TRIUMPH (Meriden Produced Models) | | |
| T 140 Bonneville | 85-88 | F & R |

| | | |
|----------------|---------------|--------------------------|
| STD | FA18 | Black - Touring - Road |
| OPTIONS | FA18HH | Sintered HH Sport - Road |

Dealer Stocking Recommendation

| Single/Pair | Popularity # | Rec Stocking Level |
|-------------|--------------|--------------------|
| 2 | - | 2 |

FA20



YAMAHA ATV

YT 125 G/H 'Tri Moto' 80-81 R

Competitor X Ref

| SBS | Vesrah | Ferodo |
|-----|--------|--------|
| 617 | VD222 | - |

Equivalents OE#

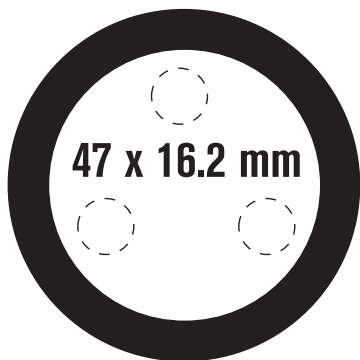
| |
|--------------|
| 3X3 W0045 00 |
| 3X3 25811 00 |

Dealer Stocking Recommendation

| Single/Pair | Popularity # | Rec Stocking Level |
|-------------|--------------|--------------------|
| 1 | - | 1 |

| | | |
|------------|-------------|------------------------|
| STD | FA20 | Black - Off Road - ATV |
|------------|-------------|------------------------|

FA21



YAMAHA ATV

| | | |
|---|-------|---|
| YT 125 J/K/L/N 'Tri Moto' | 82-85 | R |
| YT 175 J/K 'Tri Moto' | 82-83 | R |
| YTM 200 K/L/N 'Tri Moto' | 83-85 | R |
| YTM 200 EK/EL 'Tri Moto' | 83-84 | R |
| YTM 200 ERN 'Tri Moto' | 85 | R |
| YFM 200 N/DXS/DXT/DXU/D/DXW | 85-89 | R |
| YTM 225 DXK/DXL/DXN 'Tri Moto' | 83-85 | R |
| YTM 225 DRN/DRS 'Tri Moto' | 85-86 | R |
| YFM 225 S/T/U (Moto 4) | 86-88 | R |
| YFM 250 W/A/B | 89-91 | R |
| YFM 350 ERT /ERU | 87-88 | R |
| YFM 350 FWT/FWU/FWW/ FWA/FWB/FWD/FWE/FWF/FWG Big Bear | 87-95 | R |
| YFM 350 ERW/ERA /ERD/ERE/ERF/ERG | 89-95 | R |

Competitor X Ref

| SBS | Vesrah | Ferodo |
|-----|--------|---------|
| 576 | VD234 | FDB2014 |

Equivalents OE#

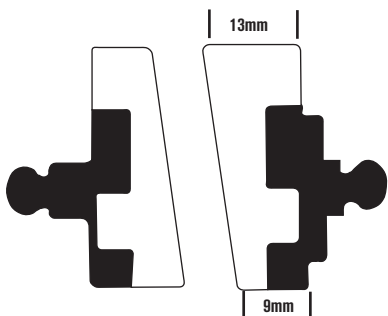
| |
|--------------|
| 2HR W0045 00 |
| 5V6 W0045 00 |
| 5V6 W0045 01 |

| | | |
|---------|--------|---------------------------|
| STD | FA21X | Red - Off Road |
| OPTIONS | FA21R | Sintered Off Road Utility |
| | FA21SV | Sintered ATV Severe Duty |

Dealer Stocking Recommendation

| Single/Pair | Popularity # | Rec Stocking Level |
|-------------|---------------------------|------------------------|
| 2 | FA21X = Y2 FA21R = Y24 | FA21X = 8 FA21R = 4 |

FA22



NOTE:
1 PAD LEFT HAND
1 PAD RIGHT HAND
TAPERED FINISH
71.8 x 35mm

BMW

| | | | | | |
|--------------|----------|---|----------|----------|---|
| R 60/7 | 76-80 | F | R 90/6 | 73-76 | F |
| R 60 TIC | 78-82 | F | R 100 | 76-77 | F |
| R 75/6, 75/7 | 73-79 | F | R 100/7T | 77-09/80 | F |
| R 80 | 77-84 | F | R 100 S | 76-08/80 | F |
| R 80 TIC | 78-08/80 | F | R 100 RS | 76-09/80 | F |
| R 90 S | 73-76 | F | R 100 RT | 78-09/80 | F |

Competitor X Ref

| SBS | Vesrah | Ferodo |
|-----|--------|--------|
| 520 | VD910 | FDB155 |

Equivalents OE#

| | | |
|-----------------|-----------------|-----------------|
| 34 11 2 301 358 | 34 11 2 301 355 | 34 11 2 301 356 |
|-----------------|-----------------|-----------------|

Dealer Stocking Recommendation

| Single/Pair | Popularity # | Rec Stocking Level |
|-------------|--------------|--------------------|
| 2 | - | 2 |

| | | |
|-----|------|------------------------|
| STD | FA22 | Black - Touring - Road |
|-----|------|------------------------|

FA24/2

FA24 use FA24/2



HARLEY DAVIDSON

FX/FXE/FXEF/FXWG/FXS 73-83 R
 FL/FLH 72-84 F
 FL/FLH 72-80 R

(BANANA CALIPER)

Competitor X Ref

| SBS | Vesrah | Ferodo |
|-----|-----------|----------|
| 513 | VD902/915 | FDB185/R |

Equivalents OE#

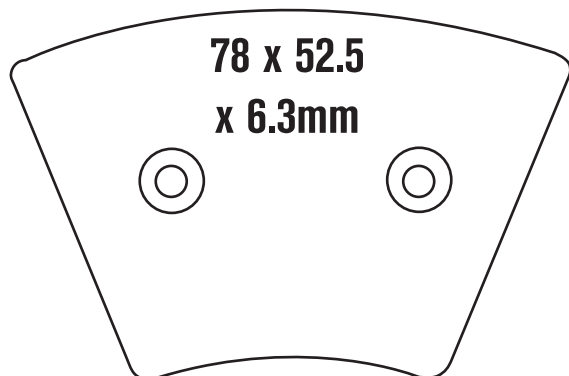
| | |
|----------|---------|
| 44005 74 | 8009003 |
| 44135 74 | |

Dealer Stocking Recommendation

| Single/Pair | Popularity # | Rec Stocking Level |
|-------------|--------------|--------------------|
| 1 | HD2 | 4 |

STD FA24/2 Black - Touring - Road

FA26



COMPLETE WITH TWO RIVETS

HARLEY DAVIDSON

XLH/XLCH 73-77 F
 FX/FXE 73-77 F

Competitor X Ref

| SBS | Vesrah | Ferodo |
|-----|--------|--------|
| 679 | VD901 | - |

Equivalents OE#

| | |
|----------|-------|
| 44281 74 | 12438 |
|----------|-------|

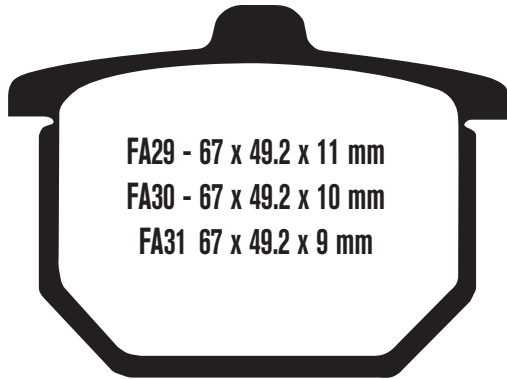
Dealer Stocking Recommendation

| Single/Pair | Popularity # | Rec Stocking Level |
|-------------|--------------|--------------------|
| 1 | HD8 | 1 |

STD FA26 Black - Touring - Road

All part numbers, prefixes and suffixes shown in this catalog are unique and form a registered copyright as the property of EBC Brakes and its UK trademark owners

FA29 FA30 FA31



FA29 - HONDA ROAD BIKE

| | | |
|------------------------------------|-------|-------|
| CX 500 | 78-79 | F |
| CX 500 C Custom | 79-81 | F |
| CX 500 D Deluxe | 79-81 | F |
| CB 900 C Custom | 80 | R |
| CB 900 C Custom | 81 | F & R |
| CBX | 80 | R |
| GL 1000 K/76/L Goldwing | 75-77 | F |
| GL 1000 Goldwing | 78-79 | F |
| GL 1100/1100 I Goldwing | 80 | R |
| GL 1100/1100 I Goldwing Interstate | 81 | F & R |

FA30 - HONDA ROAD BIKE

| | | |
|-------------------------|-------|-------|
| CB 750 F Supersport | 79-80 | F & R |
| CB 900 C Custom | 80 | F |
| CBX | 80 | F |
| GL 1100/1100 I Goldwing | 80 | F |

FA31 - HONDA ROAD BIKE

| | | |
|---------------------|-------|-------|
| CB 750 F Supersport | 77-78 | F & R |
| CBX | 79 | F & R |

Competitor X Ref

| | SBS | Vesrah | Ferodo |
|------|-----|-----------|--------|
| FA29 | 508 | VD107/112 | |
| FA30 | - | VD115/118 | FDB182 |
| FA31 | 517 | VD112 | |

Equivalents OE# - FA29

| | |
|---------------|---------------|
| 43105 461 771 | 45105 415 772 |
| 43105 461 772 | |
| 45105 415 006 | |
| 45105 415 770 | |

Equivalents OE# - FA30

| | |
|---------------|---------------|
| 43105 461 771 | 45105 438 004 |
| 43105 461 772 | 45105 438 007 |
| 45105 415 006 | 45105 438 008 |
| 45105 415 770 | 06455 410 405 |
| 45105 415 772 | 06435 410 305 |
| 45105 438 000 | 06435 415 405 |

Equivalents OE# - FA31

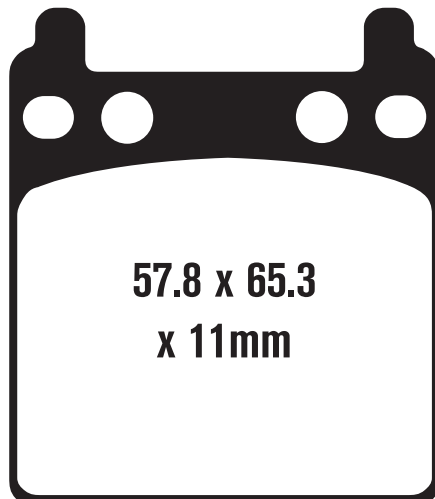
| | |
|---------------|---------------|
| 43105 461 770 | 45105 410 007 |
| 45105 371 006 | 45105 410 016 |
| 45105 410 004 | 45105 410 026 |
| 45105 410 006 | |

| | | |
|-----|------|------------------------|
| STD | FA29 | Black - Touring - Road |
| STD | FA30 | Black - Touring - Road |
| STD | FA31 | Black - Touring - Road |

Dealer Stocking Recommendation

| Single/Pair | Popularity # | Rec Stocking Level |
|-------------|--------------|--------------------|
| 2 | FA29 - H6 | FA29 - 6 |
| | FA30 - H23 | FA30 - 2 |
| | FA31 - H27 | FA31 - 2 |

FA32



HONDA ROAD BIKE

| | | |
|----------------------|-------|---|
| CB 750 F Supersport | 75-76 | R |
| GL 1000 'All models' | 75-79 | R |

PERFORMANCE MACHINES

162 x 2

Competitor X Ref

| SBS | Vesrah | Ferodo |
|-----|-----------|---------|
| 509 | VD108/116 | FDB134R |

Equivalents OE#

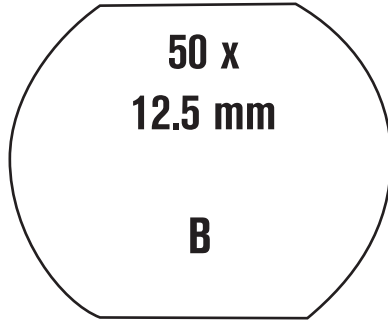
| | |
|---------------|---------------|
| 43211 371 006 | 43211 431 671 |
| 43211 392 006 | 43211 431 672 |
| 43211 392 016 | 43211 431 673 |

Dealer Stocking Recommendation

| Single/Pair | Popularity # | Rec Stocking Level |
|-------------|--------------|--------------------|
| 1 | H20 | 1 |

| | | |
|-----|------|------------------------|
| STD | FA32 | Black - Touring - Road |
|-----|------|------------------------|

FA33



KAWASAKI ROAD BIKE

| | | |
|--------------------------------|-------|---|
| S2-A (350cc) | 72-73 | F |
| S3/S3-A (400cc) | 74-75 | F |
| KH 400A3/A4/A5 | 76-78 | F |
| HI-D/HI-E/HI-F 500 | 73-75 | F |
| KH 500 A8 | 76 | F |
| KZ 650 B1/B2/B2A/B3 | 77-79 | F |
| KZ 650 C1/C2/C3 | | |
| (up to T F/no 023100) | 77-79 | F |
| KZ 650 D1/D1A 'SR Series' | 78-79 | F |
| KZ 750 B1/B2/B3/B4 | 76-79 | F |
| KZ 900 A4/A5 | 76-77 | F |
| KZ 900 B1 'LTD' | 76 | F |
| KZ 1000 A1/A2/A2A | 77-78 | F |
| KZ 1000 B1/B2 'Ltd' | 77-78 | F |
| KZ 1000 C1/C1A 'Police Series' | 78 | F |
| KZ 1000 D1 (ZI-R Series) | 78 | F |

Competitor X Ref

| SBS | Vesrah | Ferodo |
|-----|--------|--------|
| 510 | VD414 | FDB132 |

Equivalents OE#

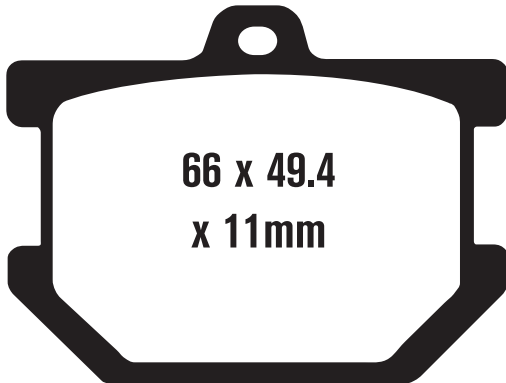
| | | | | |
|-------------|-------------|------------|-------------|-------------|
| 43050 005 A | 43050 008 A | 43050 1006 | 43050 5003 | 43051 008 B |
| 43050 006 A | 43050 009 A | 43050 5001 | 43051 006 B | 43051 011 B |
| 43050 007 A | 43050 011A | 43050 5002 | 43051 007 B | |

Dealer Stocking Recommendation

| Single/Pair | Popularity # | Rec Stocking Level |
|-------------|--------------|--------------------|
| 2 | K15 | 2 |

STD FA33 Black - Touring - Road

FA34



YAMAHA ROAD BIKE

| | | |
|-------------------------------|-------|-------|
| SR 500 E/F/G/H | 78-81 | F |
| XS 500 C/D/E | 76-78 | F & R |
| XJ 650 RJ 'Seca' | 82 | F |
| XS 650 D/E/F/2F | 77-79 | F |
| XS 650 SE/SF/SG | 78-80 | F & R |
| XS 650 G/H/SH | 80-81 | F |
| XS 650 SJ/SK Heritage Special | 82-83 | F |
| XS 750 D/2D/E/F | 77-79 | F & R |
| XS 750 SE/SF | 78-79 | R |
| XS 850 G/H | 80-81 | F & R |
| XS 850 LG/LH/SG/SH | 80-81 | R |
| XV 920 RH/RJ | 81-82 | F |
| XS 1100 E/F/G/H | 78-81 | F & R |
| XS 1100 SF/SG/SH | 79-81 | R |
| XS 1100 LG 'Midnight Special' | 80 | R |

Competitor X Ref

| SBS | Vesrah | Ferodo |
|-----|--------|---------|
| 507 | VD205 | FDB134R |

Equivalents OE#

| | | | | |
|--------------|---------------|--------------|--------------|--------------|
| 1J3 20000 10 | 1J3 20000 63 | 1J9 20000 02 | 2J2 W0046 00 | 3H5 W0045 00 |
| 1J3 20000 13 | 1J3 20000 64 | 1L9 W0045 00 | 2J2 W0046 01 | 3H5 W0045 01 |
| 1J3 20000 20 | 1J3 20000 70 | 1L9 W0046 00 | 2MO W0046 00 | 4KO W0045 00 |
| 1J3 20000 30 | 1J3 W00045 00 | 1U4 W0046 01 | 2MO W0046 01 | 4KO W0045 01 |
| 1J3 20000 40 | 1J3 W0046 00 | 1U4 W0046 02 | 3G1 W0046 00 | 3H5 W0045 11 |

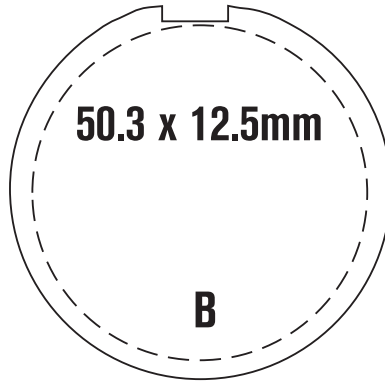
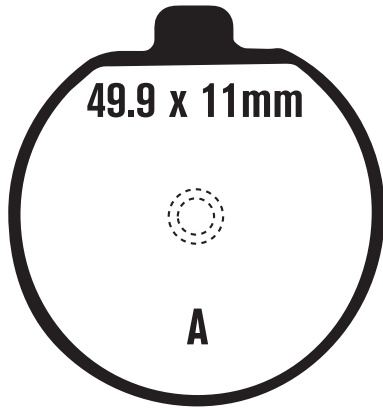
Dealer Stocking Recommendation

| Single/Pair | Popularity # | Rec Stocking Level |
|-------------|--------------|--------------------|
| 2 | Y2 | 10 |

STD FA34 Black - Touring - Road

All part numbers, prefixes and suffixes shown in this catalog are unique and form a registered copyright as the property of EBC Brakes and its UK trademark owners

FA35



SUZUKI ROAD BIKE

| | | |
|------------------------|-------|---|
| GS 750 B/C/N (8 Valve) | 77-79 | F |
| GS 750 EC/EN (8 Valve) | 78-79 | F |
| GS 850 GN | 79 | F |

Competitor X Ref

| SBS | Vesrah | Ferodo |
|-----|--------|--------|
| 511 | VD318 | FDB150 |

Equivalents OE#

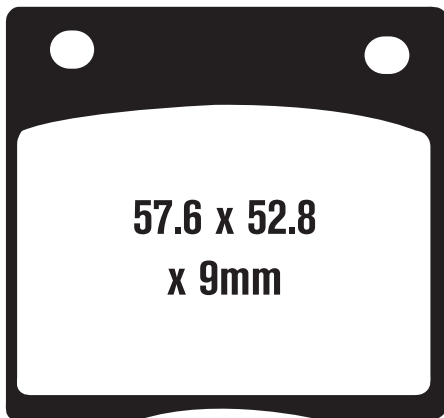
| | |
|-------------|-------------|
| 59100 45820 | 59300 44822 |
| 59100 45821 | 59300 45890 |
| 59300 44810 | 59300 45891 |
| 59300 44820 | |
| 59300 44821 | |

STD FA35 Black - Touring - Road

Dealer Stocking Recommendation

| Single/Pair | Popularity # | Rec Stocking Level |
|-------------|--------------|--------------------|
| 2 | S56 | 2 |

FA36



Competitor X Ref

| SBS | Vesrah | Ferodo |
|-----|--------|---------|
| 512 | VD306 | FDB151R |

Equivalents OE#

| | | |
|-------------|-------------|-------------|
| 43050 010 | 69101 45840 | 69130 45021 |
| 43050 1013 | 69130 34220 | 69130 45030 |
| 43082 1059 | 69130 34240 | 69130 45100 |
| 69100 34860 | 69130 45000 | 69130 45101 |
| 69100 34870 | 69130 45001 | 69130 45990 |
| 69101 45810 | 69130 45010 | 8009001 |
| 69101 45820 | 69130 45011 | |
| 69101 45830 | 69130 45020 | |

Dealer Stocking Recommendation

| Single/Pair | Popularity # | Rec Stocking Level |
|-------------|--------------|--------------------|
| 1 | K6 S2 | 8 |

STD FA36 Black - Touring - Road

KAWASAKI ROAD BIKE

KZ 650 C3 (from F/no 023101) -79 R
 KZ 650 D1/D1A/D2 'SR Series' 78-79 R
 KZ 1000 A1/A2/A2A 77-78 R
 KZ 1000 A3/A3A/A4 79-80 R
 KZ 1000 B3/B4 'Ltd' 79-80 R
 KZ 1000 C1/C1A 'Police Series' 78 R
 KZ 1000 C2/C3/C4 79-81 R
 KZ 1000 D1/D3 (Z1-R Series) 78-80 R
 KZ 1000 E1/E2 ST & Shaft 79-80 R
 KZ 1000 G1 'Classic' 80 R
 KZ 1300 A1/A2/A3/A4 79-82 R
 KZ 1300 B2 'Touring' 80 R
GMA 2 PISTON (LARGE)
 Model A (CCI # 09-997) R

SUZUKI ROAD BIKE

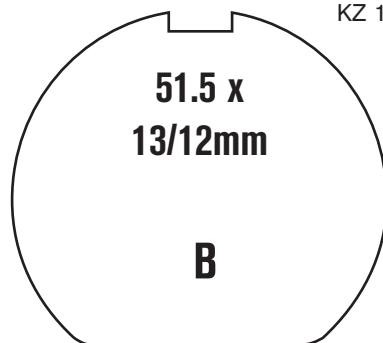
XN 85 D (673cc) 83 R
 GS 550 C/N/EC/EN/ET 77-80 R
 GS 550 MZ 82 R
 GS 550 LT/LX 80-81 R
 GS 550 TX 81 R
 GS 650 EX/EZ 81-82 R

SUZUKI ROAD BIKE Contd.

GS 650 GX/GZ/GD 81-83 R
 GS 650 GLX/GLZ/GLD 81-83 R
 GS 650 MD 83 R
 GS 700 EF/ESF 85 R
 GS 750 B/C/N/EC/EN/LN (8 valve) 77-79 R
 GS 750 ET/EX/EZ (16 Valve) 80-82 R
 GS 750 LT/LX (16 Valve) 80-81 R
 GS 750 ED/ESD 83 R
 GS 750 SD 83 R
 GS 850 GN/GT/GX/GLT/GLX/GLZ/GZ/GLD/GD 79-83 R
 GS 1000 C/N/EC/CN/SN/LN 78-79 R
 GS 1000 ET/ST/SZ 80-82 R
 GS 1000 GT/GX 80-81 R
 GS 1000 GLT/GLX 80-81 R
 GS 1000 ET/EX/EZ/ED/ESD 80-83 R
 GS 1100 LT 80 R
 GS 1100 GZ/GD 82-83 R
 GS 1100 GLZ/GLD 82-83 R
 GS 1100 GKZ/GK2/GKD 82-83 R
 GS 1100 SD 83 R
 GV 1200 GLF/GLF2/ GLG"Madura" 85-86 R

All part numbers, prefixes and suffixes shown in this catalog are unique and form a registered copyright as the property of EBC Brakes and its UK trademark owners

FA37



KAWASAKI ROAD BIKE

| | | |
|-------------------------------------|-------|---|
| KZ 650 C1/C2/C3 (up to F/no 023100) | 77-79 | R |
| KZ 750 B1/B2/B3/B4 | 76-79 | R |
| KZ 900 B1 'Ltd' | 76 | R |
| KZ 1000 B1/B2 'Ltd' | 77-78 | R |

Competitor X Ref

| SBS | Vesrah | Ferodo |
|-----|-----------|---------|
| 514 | VD405/412 | FDB181R |

Equivalents OE#

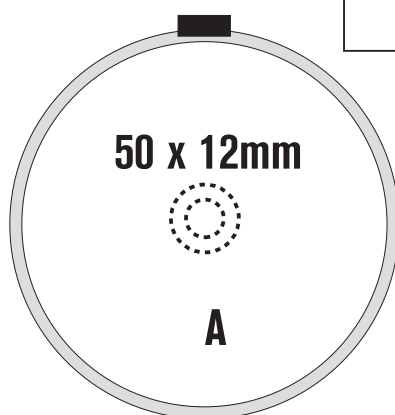
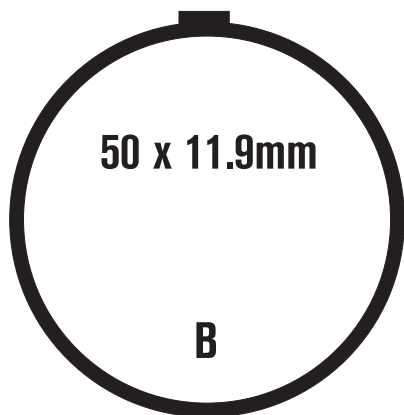
| | |
|-------------|------------|
| 43051 009 B | 43050 1006 |
| 43050 1008A | 43050 5002 |

STD FA37 Black - Touring - Road

Dealer Stocking Recommendation

| Single/Pair | Popularity # | Rec Stocking Level |
|-------------|--------------|--------------------|
| 1 | K23 | 1 |

FA38



Competitor X Ref

| SBS | Vesrah | Ferodo |
|-----|---------------------------------|---------|
| 515 | VD307/308/310/ VD315/316/320 | FDB181R |

Equivalents OE#

| | |
|-------------|-------------|
| 59100 11850 | 59300 47830 |
| 59100 34820 | 59300 47840 |
| 59300 45820 | 59300 47850 |
| 59300 47810 | 59300 47870 |
| 59300 47820 | |

SUZUKI ROAD BIKE

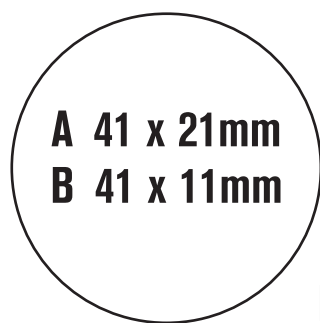
| | | |
|---------------------|-------|---|
| GS 550 B/C/N/EC/EN | 77-79 | F |
| GS 750 LN (8 Valve) | 79 | F |
| GS 1000 C/N | 78-79 | F |
| GS 1000 EC/EN/SN/LN | 78-79 | F |

STD FA38 Black - Touring - Road

Dealer Stocking Recommendation

| Single/Pair | Popularity # | Rec Stocking Level |
|-------------|--------------|--------------------|
| 2 | S27 | 2 |

FA40



HONDA ATV BIKE

| | | |
|----------------|-------|---|
| FL 250 Odyssey | 77-84 | R |
|----------------|-------|---|

POLARIS

| | | |
|-----------------------|-------|---|
| Scrambler (3 wheeler) | 85-86 | R |
| Cyclone 250 X | 87 | R |
| Trail Boss (2x4) | 85-87 | R |

* - ATC is a Registered Trademark of Honda Motor Corporation

Competitor X Ref

| SBS | Vesrah | Ferodo |
|-----|-----------|--------|
| 525 | VD109/111 | - |

Equivalents OE#

| | | | | | |
|-----------------|-----------------|-----------------|-----------------|-----------------|-----------------|
| 2200 256 | 45340 107 722 A | 45340 149 720 A | 45345 107 720 B | 45345 149 000 B | 45350 107 720 |
| 45340 107 720 A | 45340 149 000 A | 45340 950 000 A | 45345 107 721 B | 45345 149 003 B | 45350 107 720 B |
| 45340 107 721 A | 45340 149 003 A | 45345 950 000 B | 45345 107 722 B | 45345 149 720 B | 45350 950 000 |

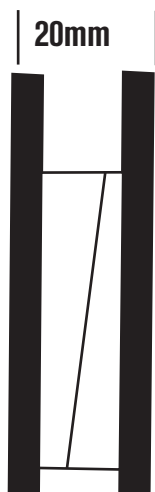
STD FA40 Black - Off Road
OPTIONS FA40R Sintered Off Road Utility

Dealer Stocking Recommendation

| Single/Pair | Popularity # | Rec Stocking Level |
|-------------|--------------|--------------------|
| 1 | H32 | 1 |

All part numbers, prefixes and suffixes shown in this catalog are unique and form a registered copyright as the property of EBC Brakes and its UK trademark owners

FA41



YAMAHA ROAD BIKE

| | | |
|--------------------------|-------|-------|
| RD 400 F Daytona | 79 | F & R |
| XS 400 SG/SH | 80-81 | F |
| XS 750 SE/SF (Right) | 78-79 | F |
| XS 850 LG/LH/SG/SH Right | 80-81 | F |
| XS 1100 SF/SG/SH Right | 79-81 | F |

YAMAHA ROAD BIKE Contd.

| | | |
|---------------------------------------|----|---|
| XS 1100 LG 'Midnight ' Special' Right | 80 | F |
| XS 1100 LH 'Midnight Special' | 81 | R |
| XJ 1100 J | 82 | R |

Equivalents OE#

| | |
|---------------|--------------|
| 2G2 W0045 00 | 3J6 W0045 01 |
| 2R8 W0045 003 | 4W1 W0046 00 |
| 3J6 W0045 00 | |

Competitor X Ref

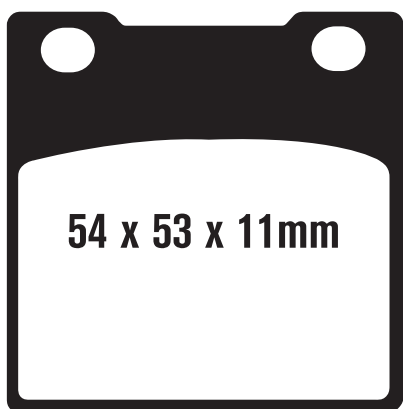
| SBS | Vesrah | Ferodo |
|-----|--------|--------|
| 528 | VD215 | FDB184 |

Dealer Stocking Recommendation

| Single/Pair | Popularity # | Rec Stocking Level |
|-------------|--------------|--------------------|
| 2 | Y22 | 2 |

STD FA41 Black - Touring - Road

FA45



HONDA ROAD BIKE

| | | |
|----------------------------|-------|---|
| CB 250 N/T | | F |
| CM 250 T | | F |
| CB 400 A 'Hondamatic' | 78 | F |
| CB 400 MK11 'Hawk' | 78-79 | F |
| CM 400 A/T | 79-81 | F |
| GS 400 T Hawk | 80-81 | F |
| CB 650 | 79-81 | F |
| CB 650 C Custom | 80 | F |
| CB 650 C Custom | 81 | F |
| CB 750 C Custom | 80 | F |
| CB 750 C Custom | 81 | F |
| CB 750 K | 79-82 | F |
| CB 750 L 'Limited Edition' | 79 | F |

Equivalents OE#

| | |
|---------------|---------------|
| 45105 413 003 | 45105 425 006 |
| 45105 413 305 | 45105 471 006 |
| 45105 413 871 | 45105 MA5 671 |
| 45105 425 003 | |

Competitor X Ref

| SBS | Vesrah | Ferodo |
|-----|-----------|--------|
| 526 | VD113/117 | FDB183 |

Dealer Stocking Recommendation

| Single/Pair | Popularity # | Rec Stocking Level |
|-------------|--------------|--------------------|
| 2 | H30 | 2 |

STD FA45 Black - Touring - Road

FA47 FA47/2

FA47

| | | | |
|---|-------|-------|--|
| APRILIA | | | |
| RS 250 | 99-03 | R | |
| BETA | | | |
| Elkon 150 | 04 | F | |
| BREMBO | | | |
| BRE 20 5185 11 (P32B) 2 piston | | F | |
| BRE 20 5161 42 (P32F) 2 piston | | F | |
| CAGIVA | | | |
| Mito 125 | 92-92 | R | |
| WMX 125 | 86 | F | |
| WMX 250 | -85 | F | |
| WMX 500 | 84-86 | F | |
| Alazzurra 650/Elefant 650 | 85-86 | F & R | |
| DUCATI | | | |
| Supersport 400 | 93-97 | R | |
| 400 Monster | 95-04 | R | |
| Monster Dark ie 400 (Japan) | 05-06 | R | |
| Monster 400 ie (Japan) | 07-08 | F | |
| 500 GTL | 75 | F | |
| 500 GTV Pantah | 77 | F & R | |
| 500 Sport Desmo | 77 | F & R | |
| 500 Pantah | 79 | F & R | |
| 600 Pantah | 81 | R | |
| 600 Monster | 93-01 | R | |
| 600 Monster Dark | 98-99 | R | |
| 600 Monster City/City Dark | 99 | R | |
| 600 Supersport | 91-97 | R | |
| 620 IE Monster | 02-04 | R | |
| Monster Dark 620 | 03-04 | R | |
| Multistrada Dark 620 | 03-05 | R | |
| Monster 620 | 05-06 | R | |
| Multistrada 620 | 05-06 | R | |
| 695 Monster | 06-09 | R | |
| 748 SP | 95-98 | R | |
| 748 SP/Monoposto | 99-02 | R | |
| 748 Biposto | 95-02 | R | |
| 748 SPS | 98-99 | R | |
| 748 R | 00-02 | R | |
| 748 Testa Bassa (Mono/Biposto) | 01 | R | |
| 750 Paso | 87-90 | R | |
| 750 Supersport | 91-98 | R | |
| 750 Monster | 96-98 | R | |
| 750 Monster City/City Dark | 99 | R | |
| 750 Monster/Monster Dark | 99 | R | |
| 750 Monster | 00-01 | R | |
| Monster ie 750 | 02 | R | |
| 800 Sport | 03 | F | |
| Monster 800 | 03-04 | R | |
| Monster S2R (803cc) | 05-07 | R | |
| Monster S2R Dark (803cc) | 05-06 | R | |
| 851 Superbike Biposto | 89-92 | R | |
| 888 SP4/SP5 | 92-93 | R | |
| 888 Superbike Strada | 94-95 | R | |
| 900 Supersport | 89-90 | R | |
| 900 Supersport/Superlight | 91-97 | R | |
| 900 Supersport CR USA | 98 | R | |
| 900 Supersport FE | 98 | R | |
| 900 Monster | 93-99 | R | |
| 900 Monster Cromo/Special | 98 | R | |
| 900 Monster City/City Dark | 99 | R | |
| 900 IE Monster | 00-01 | R | |
| 907 IE | 90-93 | R | |
| 916 Biposto-Sienna | 94-98 | R | |
| 916 SPS (996cc) | 97-98 | R | |
| Monster S4 (916cc) | 01-02 | R | |
| ST4 (916cc) | 01-02 | R | |
| Monster S4R (996cc) (2 pad caliper) | 05-06 | R | |
| 996 SPS (996cc) | 99 | R | |
| 996 (996cc) (Monoposto/Biposto) | 99-01 | R | |
| 996 R | 01 | R | |
| 996 S | 01 | R | |
| Monster S4R (996cc) | 03-06 | R | |
| S4RS Monster (998cc) (Radial 4 pad caliper) | 06 | R | |
| S4R/S4RS Testastretta Monster (998cc) | | | |
| Radial 4 pad caliper) | 07-08 | R | |
| 998 Matrix (998cc) | 04 | R | |
| 998 R (998cc) | 02 | R | |
| 998 S Bayliss/Bostrom | 02 | R | |
| 998 S (998cc) (4 pad caliper) | 02-04 | R | |
| 998 (998cc) (2 pad caliper) | | | |
| (Monoposto/Biposto) | 02-03 | R | |
| Monster 1000 Dark | 03 | R | |
| Monster 1000 ie (992cc) | 04-05 | R | |
| Monster 1000 S ie (992cc) | 03-05 | R | |
| Monster S2R 1000 (992cc) | 06-08 | R | |

HUSQVARNA

| | | | |
|------------------------|-------|---|--|
| CR 125 | 85-86 | F | |
| XC 125 | 85-86 | F | |
| CR 240 | 85-86 | F | |
| CR 250 | 85-86 | F | |
| XC 250 | 85-86 | F | |
| CR 500 | 85-86 | F | |
| XC 500 | 85-86 | F | |
| TC 510 | 87-88 | F | |
| TE 510 | 87-88 | F | |
| TX 510 | 87-88 | F | |
| ISR CALIPERS | | | |
| 22-025-XX (4 piston) | | F | |
| 22-027 (2 piston rear) | | F | |
| 22-028 (2 piston) | | F | |
| 22-029 (Rear 2 piston) | | F | |

KTM

| | | | |
|-----------------|----|-------|--|
| GSXC/GS 125 | 85 | F | |
| MX/MXC 125 | 85 | F | |
| MX/MXC/GS 125 | 86 | F & R | |
| GS 250 | 86 | F & R | |
| GSXC/GS 250 | 85 | F | |
| MX/MXC 250 | 85 | F | |
| MX/MXC 250 | 86 | F & R | |
| GSXC/GS 300 | 85 | F | |
| MX/MXC 300 | 85 | F | |
| MX/MXC/GS 300 | 86 | F & R | |
| MX/MXC/GS 350 | 86 | F & R | |
| MX/MXC/XC-GS500 | 85 | F | |

LAVERDA

| | | | |
|----------------------------|-------|-------|--|
| Alpine 500/Montjuic | 76 | F & R | |
| 650 Sport | 94-95 | R | |
| 668 Diamante/Ghost/Strike | 96-98 | R | |
| 750 Strike Bifaro/Monofaro | 98-00 | R | |
| 750 S Formula/Sport | 98-00 | R | |
| 750 S Carenta | 98-00 | R | |

MALAGUTI

| | | | |
|-------------|-------|---|--|
| F18 (150cc) | 02-04 | F | |
| Ciak 150 | 02-03 | F | |

MOTO GUZZI

| | | | |
|------------------------|-------|-------|--|
| V35/35II/35III (350) | 77-87 | F & R | |
| V 35 C (350) | 82-86 | F & R | |
| V 35 Florida (350) | 86-90 | F & R | |
| NTX 350 | 87-90 | F & R | |
| 350 Nevada | 92-97 | F & R | |
| 350 Nevada Club | 98-99 | F & R | |
| V 50/50 III (500) | 77-84 | F & R | |
| V 50 C (500) | 82-86 | F & R | |
| NTX 650 | 87-90 | F & R | |
| V 65 C (650) | 82-85 | F & R | |
| V 65 Florida (650) | 86-92 | F & R | |
| V 75 (750) | 92-96 | F & R | |
| 750 SP | 90-92 | F & R | |
| 750 Targa | 90-92 | F & R | |
| Nevada 750 | 91-97 | F & R | |
| Nevada 750 Club | 98-02 | F & R | |
| Daytona 1000 | 92-95 | R | |
| Daytona 1000 RS | 97-98 | R | |
| V10 Centauro | 97-99 | R | |
| Sport 1100 | 94-99 | R | |
| Sport Corsa 1100 | 98-99 | R | |
| V 11 Sport/Scura/Naked | 99-00 | R | |
| V11 Le Mans Series | 01-06 | R | |

MONTESA

| | | | |
|-------|-------|---|--|
| 314 R | 94-96 | R | |
| 315 R | 97-00 | R | |

MZ

| | | | |
|-------------------------|-------|---|--|
| Skorpion Tour/Traveller | 95-02 | R | |
| ATK | | | |
| 560 | 84-88 | F | |
| All models | 92 | R | |

MAICO/M-STAR

| | | | |
|-------------------|--|---|--|
| Front Disc Models | | F | |
|-------------------|--|---|--|

BEHRINGER (FRANCE) HARRISON BILLET

| | | | |
|-------------------------|--|--|--|
| Early design 4/6 piston | | | |
|-------------------------|--|--|--|

PRO ONE 2 piston

TM (DIRT)

| | | | |
|-----------------------------|-------|---|--|
| SVM 125 Black Dream (2T) | 04-08 | R | |
| SMM 450 Black Dream ES (4T) | 05-08 | R | |
| SMM 530 Black Dream ES (4T) | 05-08 | R | |

FA47/2

| | | | |
|------------|-------|---|--|
| KTM | | | |
| 80 MX | 86-92 | F | |



FA47 Contd.

FA47/2 Contd.

Competitor X Ref
FA47

| | | |
|-------------------|------------------------|---------------------------|
| <u>SBS</u> 519 | <u>Vesrah</u> VD911 | <u>Ferodo</u> FDB207/R |
|-------------------|------------------------|---------------------------|

Competitor X Ref
FA47/2

| | | |
|-------------------|--------------------|--------------------|
| <u>SBS</u> 583 | <u>Vesrah</u> - | <u>Ferodo</u> - |
|-------------------|--------------------|--------------------|

| | | |
|----------------|----------|---------------------------|
| OPTIONS | STD FA47 | Black - Touring - Road |
| | FA47HH | Sintered HH Sport - Road |
| | FA47R | Sintered Off Road Utility |
| | FA47X | Red - Off Road |
| STD | FA47/2 | Black - Off Road |

Equivalents OE#

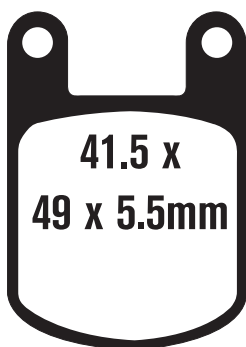
| | | | | | |
|---------|---------|------------|----------|----------------|---------------|
| 8103662 | 8113196 | 19654600 | 323 627 | 19654601 | 000 316546600 |
| 8113016 | 8113222 | 8000 29070 | 326 446 | 491 13 409 044 | 000 276546100 |
| 8113064 | 8113323 | 8000 39730 | 341 170 | 613 4 008 1A | 047 002 00037 |
| 8113118 | 8113662 | 8000 46147 | 19654600 | 613 4 007 1A | 612 4 054 1A |

Dealer Stocking Recommendation

| | | |
|-------------------------|--------------------------|---|
| <u>Single/Pair</u> 1 | <u>Popularity #</u> - | <u>Rec Stocking Level</u> FA47 - 1 FA47/2 - 0 |
|-------------------------|--------------------------|---|

BUYERS GUIDE
BRAKE PADS

FA50



ATK

560

86

R

Equivalents OE#

| |
|-----|
| N/A |
|-----|

Competitor X Ref

| | | |
|-------------------|------------------------|-------------------------|
| <u>SBS</u> 532 | <u>Vesrah</u> VD912 | <u>Ferodo</u> FDB213 |
|-------------------|------------------------|-------------------------|

Dealer Stocking Recommendation

| | | |
|-------------------------|--------------------------|--------------------------------|
| <u>Single/Pair</u> 1 | <u>Popularity #</u> - | <u>Rec Stocking Level</u> 1 |
|-------------------------|--------------------------|--------------------------------|

| | | |
|-----|-------|------------------|
| STD | FA50X | Black - Off Road |
|-----|-------|------------------|

FA51



SUZUKI ROAD BIKE

| | | |
|------------------------------------|-------|---|
| GN 250 J | 88 | F |
| GS 250 TT/TX | 80-81 | F |
| GN 400 T/XT/XX/TX/TZ | 80-82 | F |
| GS 450 ET/ST/EX/SX/EZ/ED | 80-83 | F |
| GS 450 GAZ/GAD/GAF | 82-85 | F |
| GS 450 LT/LX/LZ/LD/LF/LG/LH/LJ | 80-88 | F |
| GS 450 TX/TZ | 81-82 | F |
| GS 450 TXZ | 82 | F |
| GS 700 EF/ESF | 85 | F |
| GV 700 GLF/GLF2 | 85 | F |
| GS 750 ET/EX/EZ (16 Valve) | 80-82 | F |
| GS 750 LT/LX (16 Valve) | 80-81 | F |
| GS 750 TZ/TD (16 Valve) | 82-83 | F |
| GS 750 ED/ESD | 83 | F |
| GS 850 GT/GX/GLX/GLZ/GLD/GZ/GLD/GD | 80-83 | F |
| GS 1000 GT/GX | 80-81 | F |
| GS 1000 GLT/GLX | 80-81 | F |
| GS 1100 GZ/GD | 82-83 | F |
| GS 1100 GLZ/GLD | 82-83 | F |
| GS 1100 GKZ/GK2/GKD | 82-83 | F |
| GV 1200 GLF/GLF2/GLG 'Madura' | 85-86 | F |

Equivalents OE#

| | |
|-------------|-------------|
| 59130 45230 | 59302 45840 |
| 59300 38310 | 59300 05810 |
| 59301 45810 | 59300 05811 |
| 59301 45811 | 59330 38300 |
| 59301 45850 | |

Competitor X Ref

| | | |
|-------------------|------------------------|-------------------------|
| <u>SBS</u> 533 | <u>Vesrah</u> VD322 | <u>Ferodo</u> FDB218 |
|-------------------|------------------------|-------------------------|

Dealer Stocking Recommendation

| | | |
|-------------------------|----------------------------|--------------------------------|
| <u>Single/Pair</u> 2 | <u>Popularity #</u> S16 | <u>Rec Stocking Level</u> 2 |
|-------------------------|----------------------------|--------------------------------|

| | | |
|-----|------|------------------------|
| STD | FA51 | Black - Touring - Road |
|-----|------|------------------------|

All part numbers, prefixes and suffixes shown in this catalog are unique and form a registered copyright as the property of EBC Brakes and its UK trademark owners

FA54



39.5 x 45 x
7.5mm

Competitor X Ref

| | | |
|-------------------|----------------------------|-------------------------|
| SBS 536 | Vesrah VD120/333 | Ferodo FDB250 |
|-------------------|----------------------------|-------------------------|

Equivalents OE#

| | | |
|---------------|--------------|--------------|
| 43802 1201 | 43082 1028 | 5LP W0045 00 |
| 45105 166 007 | 43082 1201 | 59100 38870 |
| 45105 GE3 601 | 43082 1212 | 59100 38880 |
| 45105 GE3 602 | 59300 42810 | 59101 38810 |
| 45105 GC4 601 | 59300 44870 | 59101 38820 |
| 45105 GC4 602 | 59340 13A00 | 59101 38850 |
| 45105 GW6 004 | 59340 22A00 | 59101 38860 |
| 45112 GC4 601 | 59340 42A10 | K4308-21241 |
| 45112 GC4 831 | 59340 42A00 | 69301 HP8900 |
| 800070854 | 59340 44A00 | 59301 HP8900 |
| 43082 0043 | 3GD W0045 00 | |

| | | |
|------------|---------------|---------------------------|
| STD | FA54X | Red - Off Road |
| | FA54R | Sintered Off Road Utility |
| | FA54SV | Sintered ATV Severe Duty |
| | MXS54 | Sintered Off Road Race |

Dealer Stocking Recommendation

| Single/Pair | Popularity # | Rec Stocking Level |
|-------------|--|------------------------|
| 1 | FA54R - H9/S15/Y14 FA54X - H10/Y8/S11 | FA54R - 3 FA54X - 4 |

HONDA ROAD BIKE

MB 5 82 F

HONDA ATV BIKE

ATC* 250 R 81-82 F

* - ATC is a Registered Trademark of Honda Motor Corporation

KAWASAKI ATV

KVF 300 A1-A4/B1-B4 'Prairie' 99-02 F

KVF 360 A1/A2/A3/A6F/A7F/A8F/A9F/AAF/ABF Prairie 360 4x4 03-11 F

KVF 360 B1/B2/B3/B6F/B7F/B8F/B9F Prairie 360 03-09 F

KVF 360 C1/C2/C3/C6F/C7F/C8F/C9F/CAF/CBF Prairie 360 4x4 Hardwoods Green HD 03-11 F

KVF 400 C1-C4/D1-D4 99-02 F

KAWASAKI DIRT

KX 65 A1/A2/A3/A4/A5/A6F/A7F/A8F/A9F/AAF/ABF 00-11 R

SUZUKI DIRT BIKE

RM 65 K3/K4/K5 03-05 R

DR 125 G/H/J/SER/SES/SET 86-96 F

SP 125 G/H/J 86-88 F

DR 200 G/H/J/SET/SEV/SEW/SE/SEY/SEK1 /SEK2/SEK3/SEK4/SEK5/SEK6/SEK7/SEK8/SEK9 86-88/96-09 F

SP 200 G/H/J 86-88 F

DR 250 F 85 F

SP 250 F 85 F

SUZUKI ATV

LT-F 250 K2/K3/K4/K5/K6/K7/K8/K9 Ozark 02-09 F

LT-F 4WD V/W Quadrunner 4WD (250cc) 97-98 F

LT-A 400 K2/K3/K4/K6/FCK5/FCK6/FCK7 Eiger 02-04/06 F

LT-A 400 FK2/FK3/FK4/FK5/FK6/FK7 02-07 F

LT-F 400 FK2/FK3/FK4/FK5/FCK5/FK6 /FCK6/FCK7/FK7 (Eiger 4WD Auto) 02-07 F

LT-F 400 K3/4/5/6/7 03-08 F

LT-A 500 FK2/FK3/FK4/FCK5/FK5/FCK6 /FK6/FCK7/FK7 Vinson 4WD 02-07 F

LT-F 500 FK3/FK4/FK5 Vinson Quadrunner 03-06 F

YAMAHA ATV

YFM 125 RA Raptor 11 F

YFS 200 R/S/T/V Blaster 03-06 F

YFM 250 XN/XHN/XP/XHP/XR/XHR/XS 01-04 F

YFM 250 BT/BV Bruin 05-06 F

YFM 250 BW/BX/BY Big Bear 07-09 F

YFM 350 XW/XA/XB/XD/XE/XF/XG/XH /XJ/XK/XL/XM/XN/XP/XR/XS Warrior 89-04 F

YFZ 350 A/B/D/E/F/G/H/J/K/L/M/N/P/R/S/T/V 90-06 F

YFM 350 FXG/FXH/FXJ/FXK/FXL/FXM/FXN/FXP/FXR/FXS/FXT 95-05 F

YFM 350 AS/AT Bruin 2x4 04-05 F

YFM 350 FAS/FAT Bruin 4x4 04-05 F

YFM 350 FWBL/LC Big Bear 99 F

YFM 350 UL/ULC 99 F

YFM 350 GW/GX/GY/GZ/GA Grizzly 2x4 (2WD) 07-11 F

YFM 350 XV/XW/XX/XY Wolverine (2WD) 06-09 F

YFM 350 FGW/FGX/FGY/FGZ/FGA Grizzly Auto IRS 4x4 07-11 F

YFM 350 FGW/FGX/FGY/FGZ/FGA Grizzly Auto 4x4 07-11 F

YFM 400 FWBM/FWBN "Big Bear" 00-01 F

YFM 400 FAM/FAN/FAP Kodiak 00-02 F

YFM 400 AM/AN 00-01 F

YFM 400 NM/NMC/NN/NHN/P/HP 00-02 F

YFM 400 FAHM/MC/N/NC/P Kodiak 4x4 Kodiak Hunter 00-02 F

YFM 400 FWNM/FMC/FWNN/FWHN/FHP/FP /FR/FS/FT/FV Big Bear 4WD 00-06 F

YFM 400 NR/NS (2x4) Big Bear 03-04 F

YFM 400 FAR/FAS Kodiak Auto 03-04 F

YFM 400 AR/AS Kodiak 2WD 03-04 F

YFM 400 FAS/FAT/FAHT/FAV Kodiak 4WD 04-05 F

YFM 400 S Big Bear 2WD 04 F

YFM 400 FS/FT Big Bear 4WD 04-05 F

YFM 400 FWBL Kodiak 99 F

YFM 400 FGW/FGX Grizzly 4x4 07-08 F

YFM 400 FBHW/FBHX/Y/Z Big Bear 400 Hunter IRS 07-10 F

YFM 400 FBEW Big Bear 400 IRS Exploring Edition 07 F

YFM 400 FBW/FBX/FBY/FBA Big Bear 4WD IRS 07-09/11 F

YFM 450 FAT/FAHT/FAV Kodiak 4WD 05-06 F

YFM 450 FGW/FGX Grizzly 4x4 07-08 F

YFM 450 FXV/FXW/FXX/FXY/FXZ Wolverine Auto 4x4 06-10 F

YFM 450 FXSEW Wolverine Sport Special Edition 07 F

YFM 450 FGW Grizzly Auto 4x4 IRS 07 F

YFM 450 FGPA Grizzly 450 Auto 4x4 EPS 11 F

YFM 450 FGX/FGY/FGZ/FGA Grizzly 450 Auto 4x4 08-11 F

POLARIS

Trail Boss 87 F

U.M. (United Motors)

Matric 150 XX 05-06 F

Powermax 150 XX 05-06 F

MTX 450 08 F & R

HYOSUNG ATV

TE 450 S 07-10 F

DAELIM

Cordi 50 01-09 F

History 125 01-09 F&R

S1-125 06-09 R

SACHS STREET

Madass 50 09 R

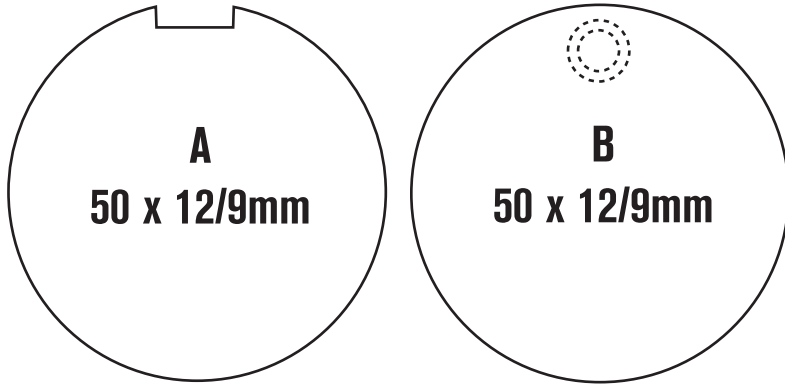
Madass 125 10-11 R

SYM ATV

Quadlander 600 08-10 F

All part numbers, prefixes and suffixes shown in this catalog are unique and form a registered copyright as the property of EBC Brakes and its UK trademark owners

FA55



| | | |
|---------------------------|-------|---|
| SUZUKI ROAD BIKE | | |
| GT 750 K/L/M/A/B | 73-77 | F |
| KAWASAKI ROAD BIKE | | |
| Z1 /A/B 900 | 73-75 | F |
| H2/H2-A Mach IV | 72-73 | F |
| H2-B/H2-C Mach IV | 74-75 | F |

Equivalents OE#

| | | |
|---------------|-------------|-----------|
| 59100 18840 | 59100 31830 | 43050 001 |
| 59100 18841 | 59100 31831 | 43071 001 |
| 59100 36830/1 | 59300 18810 | |
| 59100 39810 | 59300 36840 | |

Competitor X Ref

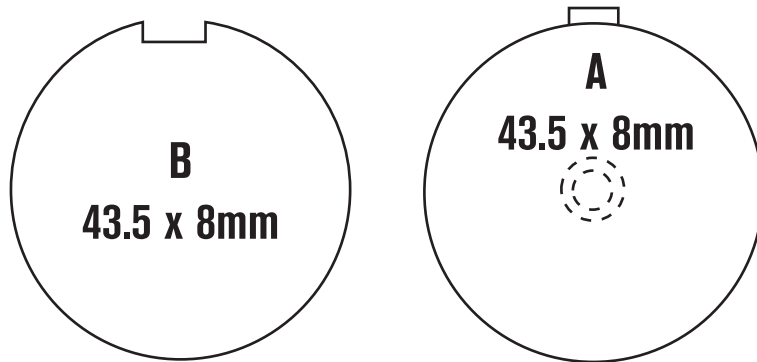
| | | |
|------------|-------------------------------|---------------|
| SBS | Vesrah | Ferodo |
| - | VD301/302/303/ 304/401/402 | - |

| | | |
|---------------|---------------|----------------------------|
| STD | FA55 | Black - Touring - Road |
| OPTION | FA55HH | Sintered - HH Sport - Road |

Dealer Stocking Recommendation

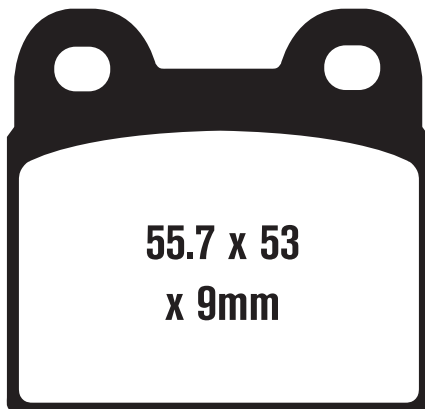
| | | |
|--------------------|---------------------|---------------------------|
| Single/Pair | Popularity # | Rec Stocking Level |
| 2 | K24 | 2 |

FA56



| | | |
|--------------|-------|---|
| LIFAN | | |
| LF 200 GY-S | 05-08 | F |

FA57



| | | |
|------------------------------|-------|---|
| BMW | | |
| R45/45 N (with ATE calipers) | 78-85 | F |
| R 45 T | 80-85 | F |
| R 65 LS | 81-85 | F |
| R 65 T | 80-85 | F |

Equivalents OE#

| |
|-----------------|
| 34 22 3 302 359 |
| 34 11 1 238 083 |

Competitor X Ref

| | | |
|------------|---------------|---------------|
| SBS | Vesrah | Ferodo |
| 527 | VD935 | - |

Dealer Stocking Recommendation

| | | |
|--------------------|---------------------|---------------------------|
| Single/Pair | Popularity # | Rec Stocking Level |
| 2 | - | 2 |

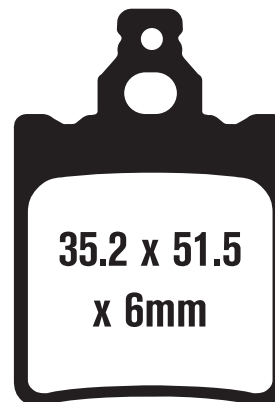
| | | |
|------------|-------------|------------------------|
| STD | FA57 | Black - Touring - Road |
|------------|-------------|------------------------|

FA58 Use FA161

FA60

APRILIA

| | | |
|---------------------|-------|---|
| RS 50 (Replica) | 99-05 | R |
| RX 50/RX 50 Replica | 04 | R |
| MX 50 | 04 | R |



Equivalents OE#

8213104

STD FA60 Black - Touring - Road

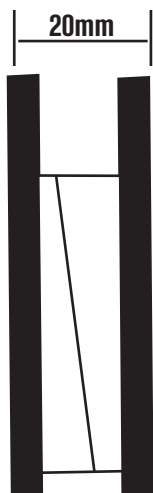
Competitor X Ref

SBS
574

Vesrah
VD920/937

Ferodo
FDB694

FA61



Competitor X Ref

SBS
545

Vesrah
VD216

Ferodo
FDB247

YAMAHA ROAD BIKE

| | | |
|------------------------------------|-------|---|
| XJ 650 G/H/J/K 'Maxim' | 80-83 | F |
| XJ 650 LH 'Midnight' | 81 | F |
| XS 750 SE/SF Left | 78-79 | F |
| XV 750 H/J/K/MK Virago | 81-83 | F |
| XS 850 LG/LH/SG/SH Left | 80-81 | F |
| XV 920 K/MK 'Virago' | 83 | F |
| XS 1100 SF/SG/SH Left | 79-81 | F |
| XS 1100 LG 'Midnight Special' Left | 80 | F |

Equivalents OE#

| | | |
|--------------|--------------|--------------|
| 2G2 W0045 01 | 3J6 W0045 11 | 4H7 W0045 12 |
| 2G2 W0045 10 | 4H7 W0045 00 | 4W5 W0045 00 |
| 3J6 W0045 10 | 4H7 W0045 10 | |

Dealer Stocking Recommendation

Single/Pair
1

Popularity #
Y4

Rec Stocking Level
6

STD FA61 Black - Touring - Road

FA62



KAWASAKI ROAD BIKE

| | | |
|--------------------------|-------|---|
| KZ 1000 E1/E2 ST & Shaft | 79-80 | F |
| KZ 1300 A1/A2/A3/A4 | 79-82 | F |
| KZ 1300 B2 'Touring' | 80 | F |

Competitor X Ref

| | | |
|-------------------|------------------------|-------------------------|
| SBS 530 | Vesrah VD423 | Ferodo FDB220 |
|-------------------|------------------------|-------------------------|

Equivalents OE#

| |
|------------|
| 43082 1004 |
| 43082 1058 |

Dealer Stocking Recommendation

| | | |
|-------------------------|----------------------------|--------------------------------|
| Single/Pair 2 | Popularity # K24 | Rec Stocking Level 2 |
|-------------------------|----------------------------|--------------------------------|

STD FA62 Black - Touring - Road

FA63



SUZUKI ROAD BIKE

| | | |
|---|-------|-------|
| GSF 400 M/N/P Bandit | 91-93 | R |
| GS 500 EK/EL/EM/EN/EP/ER/ES/ET/EV/EW/EX/EY/K1/K2/K3/FK4-FK9/FLO | 89-10 | R |
| GS 550 LD/LF/LG | 83-86 | F |
| GS 550 ED/ESD/ES3/ES/EF/ESF/ESG | 83-86 | F & R |
| RF 600 RR/RS/RT/RV | 94-97 | R |
| GSX 600 FJ/FK/FL/FM/FN/FP/FR/FT/FW/FX/FY /FK1/FK2/FK3/FK4/FK5/FK6 'Katana' | 88-06 | R |
| GSX-R 600 WN/WP | 92-93 | R |
| GSF 600 Bandit ST/SV/SW | 96-98 | R |
| GSF 600 SY/SK1/SK2/SK3 | 00-03 | R |
| GSXR 600 V/W/X/Y/K1/K2/K3/ZK3 | 97-03 | R |
| SV 650 X/Y/K1/SK1/K2/SK2 | 99-02 | R |
| GSX 750 FK/FL/FM/FN/FP/FR/FS/FT/FV 'Katana' | 89-97 | R |
| GSX 750 FW/FX/FY/FK1/FK2/FK3/FK4/FK5/FK6 Katana | 98-06 | R |
| GSXR 750 RG/G/H/J/K/L/M/N/WP | 86-93 | R |
| GSX-R 750 WR/WS/T/V/W/X | 94-99 | R |
| GSXR 750 Y/K1/K2/K3 | 00-03 | R |
| RF 900 RT/RV | 96-98 | R |
| TL1000 SV/SW/SX/SY/SK1 | 97-01 | R |
| TL 1000 RW/RX/RY/RK1/RK2/RK3 | 98-03 | R |
| GSXR 1100 G/H/J/K/L/M/N | 86-92 | R |
| GSX-R 1100 WP/WR/WS/WT/WV/WW/WWW | 86-98 | R |
| GSF 1200 Bandit SV/SAV/SW/SAW/SX/SAX/SY/SK1/SK2 /SK3/K1/K2/K3/SK4/SK5 | 97-05 | R |
| GSX 1300 RX/RY/RK1/RK2/RZK3/RK4/RZK4/RK5/RZK6/RK6 Hayabusa | 99-06 | R |

Competitor X Ref

| | | |
|-------------------|------------------------|---------------------------|
| SBS 556 | Vesrah VD327 | Ferodo FDB338/R |
|-------------------|------------------------|---------------------------|

Equivalents OE#

| | | | | | |
|-------------|-------------|-------------|-------------|-------------|-------------|
| 59100 16820 | 59130 16750 | 69130 06B00 | 69100 05830 | 69130 30B21 | 69100 05860 |
| 59100 16830 | 59130 16810 | 69130 16700 | 69100 05890 | 69130 33C00 | 69101 05820 |
| 59130 16700 | 59130 30B00 | 69130 16740 | 69100 06810 | 69130 21820 | |
| 59130 16720 | 59130 30B10 | 69130 20A10 | 69100 20810 | 69130 34C00 | |
| 59130 16730 | 59130 30B20 | 69130 20810 | 69100 34860 | 69100 20810 | |
| 59130 16740 | 69100 21820 | 69130 21E00 | 69130 27A10 | 69100 05870 | |

STD FA63 Black - Touring - Road
OPTIONS FA63HH Sintered HH Sport - Road

Dealer Stocking Recommendation

| | | |
|-------------------------|---------------------------|---------------------------------|
| Single/Pair 2 | Popularity # S1 | Rec Stocking Level 10 |
|-------------------------|---------------------------|---------------------------------|

FA65



SUZUKI ROAD BIKE

| | | |
|-------------------------|-------|---|
| GS 550 ET | 80 | F |
| GS 550 MZ | 82 | F |
| GS 550 LT/LX | 80-81 | F |
| GS 550 LZ | 82 | F |
| GS 550 TX | 81 | F |
| GR 650 D/XD Tempter | 83 | F |
| GS 650 EX/EZ | 81-82 | F |
| GS 650 GX/GZ/GD | 81-83 | F |
| GS 650 GLX/GLZ/GLD | 81-83 | F |
| GS 650 MD | 83 | F |
| XN 85 D (673cc) | 83 | F |
| GS 750 SD | 83 | F |
| GS 1000 ET/ST/SZ | 80-82 | F |
| GS 1100 ET/EX/EZ/ED/ESD | 80-83 | F |
| GS 1100 LT | 80 | F |
| GS 1100 SD | 83 | F |

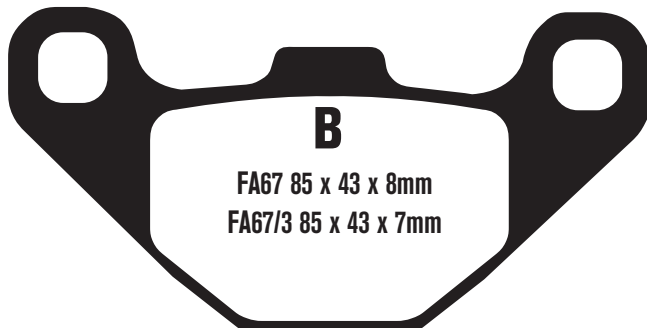
| | |
|------------------------|-------------|
| <u>Equivalents OE#</u> | 59300 49820 |
| | 59300 49821 |
| | 59300 49850 |

| | | | |
|-------------------------|-------------------|------------------------|-------------------------|
| <u>Competitor X Ref</u> | <u>SBS</u> 534 | <u>Vesrah</u> VD324 | <u>Ferodo</u> FDB217 |
|-------------------------|-------------------|------------------------|-------------------------|

| | | |
|------------|-------------|-------------------------------|
| STD | FA65 | Black - Touring - Road |
|------------|-------------|-------------------------------|

| | | | |
|---------------------------------------|-------------------------|----------------------------|--------------------------------|
| <u>Dealer Stocking Recommendation</u> | <u>Single/Pair</u> 2 | <u>Popularity #</u> S23 | <u>Rec Stocking Level</u> 2 |
|---------------------------------------|-------------------------|----------------------------|--------------------------------|

FA67 FA67/3



FA67

SUZUKI ROAD BIKE

| | | |
|--------------------------|-------|---|
| GSXR 50 (RB 50 H) | 87 | F |
| GN 125 EM/EN/EP/ER/ES/ET | 91-96 | F |

CAGIVA

| | | |
|-------------|-------|---|
| WMX 125/250 | 89-91 | R |
|-------------|-------|---|

KTM

| | | |
|------------------------------------|-------|-------|
| D-XC/E-XC/E-GS 125 | 90-91 | F & R |
| D-XC/E-XC/E-GS 125 | 92-93 | R |
| EXC 125 Brembo Calipers | 89 | F & R |
| MX 125 Brembo Calipers | 89-91 | F & R |
| MX 125 | 92-93 | R |
| D-XC/E-XC/E-GS 250 Brembo Calipers | 91 | F & R |
| D-XC/E-XC/T-XC/E-GS 250 Grimeca | 92-93 | R |
| EXC/EGS 250 Brembo Calipers | 89 | F & R |
| MX 250 Brembo calipers | 89-91 | F & R |
| MX 250 Brembo calipers | 93 | R |
| DXC/EXC/EGS 350 Brembo calipers | 90-91 | F & R |
| EXC 350 Brembo calipers | 89 | F & R |
| MX 350 Brembo calipers | 90-91 | F & R |
| LC-4 MX/EXC 500 Brembo calipers | 90-91 | F & R |
| MX 500 | 92-94 | R |
| LC4 MX/EXC 600 Brembo calipers | 90-91 | F & R |
| LC4 EXC 600 | 92-93 | R |
| SX 620/EXC/EGS | 94 | R |

KAWASAKI DIRT BIKE

| | | |
|--------------------------------------|-------|-------|
| KX 125 B2/C1/D1 | 83-85 | F |
| KX 125 E1 | 86 | F & R |
| KX 125 E2/F1 | 87-88 | R |
| KDX 200 C1-C3/E1-E4 | 86-92 | F |
| KL 250 D2-D22 (KLR 250) | 85-05 | F |
| KL 250 G4/G5/G6/G7/G8 "Super Sherpa" | 00-04 | R |
| KX 250 C1/C2/D1 | 83-85 | F |
| KX 250 D2 | 86 | F & R |
| KX 250 E1/F1 | 87-88 | R |
| KX 500 A1/A2/B1 | 83-85 | F |
| KX 500 B2 | 86 | F & R |
| KX 500 C1/D1 | 87-88 | R |
| KL 600 A1/B1/B2 (KLR) | 84-86 | F |
| KL 650 A1-A19/A6F/A7F (KLR) | 87-07 | R |
| KL 650 B2/B3 (TENGA) | 90-91 | R |

KAWASAKI ATV

| | | |
|------------------------|-------|-------|
| KXT 250 A2/B1 'Tecate' | 85-86 | F & R |
| KXT 250 B2 'Tecate' | 87 | F |
| KLF 300 B1-B17 Bayou | 88-04 | F |

MAICO/M-STAR

| | | |
|--------|----|---|
| MX 500 | 95 | R |
|--------|----|---|

FA67/3

KAWASAKI ROAD BIKE

| | | |
|-------------------------------|-------|---|
| EX 500 D1-D12/D6F/D7F/D8F/D9F | 94-09 | R |
|-------------------------------|-------|---|

| | | | | |
|------------|------------|-------------|-------------|-------------|
| 43050 1063 | 43082 1063 | 43082 1209 | 59300 04850 | 59300 36822 |
| 43050 1064 | 43082 1064 | 59100 33810 | 59300 26830 | 59300 36871 |
| 43050 1073 | 43082 1070 | 59100 33812 | 59300 33810 | 59301 33810 |
| 43050 1082 | 43082 1073 | 59100 33820 | 59300 36810 | 59301 39810 |
| 43082 1027 | 43082 1084 | 59130 26820 | 59300 36811 | 59301 39811 |
| 430821031 | 43082 1092 | 59300 04830 | 59300 36820 | 59301 39812 |
| 43082 1051 | 43082 1096 | 59300 04831 | 59300 36821 | |

Equivalents OE#
FA67

Equivalents OE#
FA67/2

| |
|-------------|
| 238 07 6340 |
| 240 07 6340 |

Equivalents OE#
FA67/3

| |
|------------|
| 43082 1056 |
| 43082 1067 |
| 43082 1116 |
| 43082 1163 |

Dealer Stocking
Recommendation

| Single/Pair | Popularity # | Rec Stocking Level |
|-------------|--------------|--|
| 2 | K8 | FA67X - 6 FA67R - 6 FA67/2 - 0 FA67/3 - 0 |

| | | |
|---------|--------|--------------------------|
| STD | FA67 | Black - Touring - Road |
| OPTIONS | FA67HH | Sintered HH Sport - Road |
| | FA67SV | Sintered ATV Severe Duty |
| | FA67X | Red - Off Road |
| STD | FA67/3 | Black - Touring - Road |

Competitor X Ref

| | | |
|----------------|-----------------|------------------|
| SBS 586/546 | Vesrah VD425 | Ferodo FDB314 |
|----------------|-----------------|------------------|

FA68



**67.8 x 40.7
x 9.5mm**

Equivalents OE#

| | |
|------------|------------|
| 43082 1007 | 43082 1025 |
| 43082 1008 | 43082 1026 |
| 43082 1021 | |
| 43082 1022 | |

Competitor X Ref

| | | |
|------------|---------------|---------------|
| SBS | Vesrah | Ferodo |
| 539/540 | VD420/2 | FDB298/R |

| | | |
|----------------|---------------|--------------------------|
| STD | FA68 | Black - Touring - Road |
| OPTIONS | FA68HH | Sintered HH Sport - Road |

Dealer Stocking Recommendation

| KAWASAKI ROAD BIKE | | |
|------------------------------|-------|-------|
| KZ 305 A1/A2 (CSR) | 81-82 | F |
| KZ 305 B1 (CSR) | 82 | F |
| KZ 305 B2/B3 (LTD) | 87-88 | F |
| KZ 440 A4 | 83 | F |
| KZ 440 D5 (LTD) | 83 | F |
| KZ 440 G1 | 82 | F |
| KZ 550 A2/A3/A4 | 81-83 | F |
| KZ 550 C1/C2/C3/C4 (LTD) | 80-83 | F |
| KZ 550 D1 (GPz) | 81 | F & R |
| KZ 550 F1 (Spectre) F2 (LTD) | 83-84 | F |
| KZ 550 H1/H2 (GPz) | 82-83 | F & R |
| KZ 550 M1 (LTD) | 83 | F |
| KZ 650 H1/H2/H3 (CSR) | 81-83 | F |
| KZ 700 A1 | 84 | F & R |
| KZ 750 E1/E2/E3 | 80-82 | F & R |
| KZ 750 F1 (LTD) | 83 | F & R |
| KZ 750 H1/H2/H3/H4 (LTD) | 80-83 | F & R |
| KZ 750 L3 | 83 | F & R |
| KZ 750 M1 (CSR) | 82 | F |
| KZ 750 N1/N2 'Spectre' | 82-83 | F & R |
| KZ 750 R1 (GPz) | 82 | F & R |
| KZ 1000 J1/J2/J3 | 81-83 | F & R |
| KZ 1000 K1/K2 (LTD) | 81-82 | F & R |
| KZ 1000 M1/M2 (CSR) | 81-82 | F & R |
| KZ 1000 P1-P20 'Police' | 82-01 | F & R |
| KZ 1000 P21-P22 'Police' | 02-03 | R |
| KZ 1000 R1/R2 'Replica' | 82-83 | F & R |
| KZ 1100 A1/A2/A3 | 81-83 | F & R |
| KZ 1100 B1/B2 (GPz) | 81-82 | F & R |
| KZ 1100 D1/D2 'Spectre' | 82-83 | F & R |
| KZ 1100 L1 (LTD) | 83 | F & R |

| Single/Pair | Popularity # | Rec Stocking Level |
|--------------------|---------------------|---------------------------|
| 2 | K5 | 6 |

FA69

FA69/2

FA69/3

FA69

HONDA ROAD BIKE

| | | |
|--|-------|-------|
| CN 250 Helix | 86-87 | F |
| CB 450 SC 'Nighthawk' | 83-86 | F |
| CMX 450 C Rebel | 86-87 | F |
| CX 500 C Custom | 82 | F |
| CX 500 TC Turbo | 82 | F & R |
| FT 500 'Ascot' | 82-83 | F & R |
| GB 500 | 89-90 | F |
| GL 500 Silverwing | 81-82 | F |
| VT 500 C 'Shadow' | 83-86 | F |
| VT 500 FT 'Ascot' | 83-84 | F |
| VF 500 C 'V30 Magna' | 84-85 | F |
| VF 500 F 'Interceptor' | 84-86 | F & R |
| CB 550 SC 'Nighthawk' | 83 | F |
| CB 650 | 82 | F |
| CB 650 SC 'Nighthawk' | 83-85 | F |
| CX 650 C 'Custom' | 83 | F |
| CX 650 T 'Turbo' | 83 | F & R |
| GL 650 Silverwing/GL 650 Silverwing Interstate | 83 | F |



| | | |
|----------------------------|-------|---|
| CB 700 SC/S 'Nighthawk' | 84-86 | F |
| VF 700 C 'Magna' | 84 | F |
| VF 700 C 'Magna' | 85-86 | F |
| VF 700 F 'Interceptor' | 84-85 | F |
| VF 700 S 'Sabre' | 84-85 | F |
| VT 700 C Shadow | 86-87 | F |
| CB 750 F Supersport | 81-82 | R |
| CB 750 SC 'Nighthawk' | 82-83 | F |
| VF 750 C 'V45 Magna' | 82-83 | F |
| VF 750 F 'V45 Interceptor' | 83-84 | F |
| VF 750 S 'Sabre' | 82-83 | F |
| VT 800 C Shadow | 88 | F |

FA69 CONT OVER PAGE/..

FA69 Cont/...

HONDA ROAD BIKE Contd.

| | | |
|------------------------------------|-------|-------|
| CB 900 C Custom | 82 | R |
| CB 900 F Supersport | 81-82 | R |
| CBX | 81-82 | R |
| CB 1000 C Custom | 83 | F & R |
| VF 1000 F 'Interceptor' | 84 | F |
| VF 1000 R | 85-86 | F |
| CB 1100 F Supersport | 83 | F & R |
| GL 1100/1100 I Goldwing/Interstate | 82 | R |
| GL 1100/1100 I Goldwing/Interstate | 83 | F & R |
| GL 1100 A Goldwing Aspencade | 82-83 | R |
| VF 1100 C V65 Magna | 83-86 | F |
| VF 1100 S V65 Sabre | 84-85 | F |
| VT 1100 C Shadow | 85-86 | F |

HONDA DIRT BIKE

| | | |
|-------------------|-------|---|
| XL 600 V Transalp | 89-90 | F |
|-------------------|-------|---|

FA69/2

HONDA ROAD BIKE

| | | |
|--------------------------------|-------|---|
| CN 250 Helix | 92-93 | F |
| CM 400 C Custom | 81 | F |
| CM 450 C Custom (to CM 001211) | 82 | F |
| CM 450 A Hondamatic | 82 | F |
| GL 500 I Silverwing Interstate | 81-82 | F |
| CB 750 C Custom | 82 | F |

FA69/2

HONDA ROAD BIKE Contd.

| | | |
|------------------------------------|-------|---|
| CB 750 F Supersport | 81-82 | F |
| CB 900 C Custom | 82 | F |
| CB 900 F Supersport | 81-82 | F |
| CBX | 81-82 | F |
| GL 1100/1100 I Goldwing/Interstate | 82 | F |

FA69/3

HONDA ROAD BIKE

| | | |
|------------------------------------|-------|-------|
| CBR 600 F 'Hurricane' | 87-90 | R |
| VF 700 F 'Interceptor' | 84-85 | R |
| VF 700 C Magna | 87 | F |
| VFR 700 F/F2 'Interceptor' | 86-87 | R |
| VF 750 F V45 'Interceptor' | 83-84 | R |
| VFR 750 F 'Interceptor' | 86 | R |
| VF 750 C V45 Magna | 88 | F |
| CBR 1000 F (Hurricane) | 87-88 | R |
| VF 1000 F 'Interceptor' | 84 | R |
| GL 1100 A Goldwing Aspencade | 82-83 | F |
| VF 1100 C 'V65 Magna' | 83-86 | R |
| VF 1100 S 'V65 Sabre' | 84-85 | R |
| VT 1100 C Shadow | 87-93 | F |
| GL 1200/1200 I/1200 A Goldwing | 84-85 | F & R |
| GL 1200 L Goldwing | 85 | F & R |
| GL 1200 I/1200 A/GL12SE-i Goldwing | 86-87 | F & R |
| GL 1500 Goldwing All models | 88-89 | R |
| GL 1500/1500 SE/A/I Goldwing | 90-00 | R |

Dealer Stocking Recommendation

| <u>Single/Pair</u> | <u>Popularity #</u> | <u>Rec Stocking Level</u> |
|--------------------|---------------------|---------------------------|
| 2 | FA69 - H1 | FA69 - 10 |
| | FA69/2 - H16 | FA69/2 - 2 |
| | FA69/3 - H2 | FA69/3 - 10 |

Competitor X Ref

| <u>SBS</u> | <u>Vesrah</u> | <u>Ferodo</u> |
|------------|----------------|---------------|
| 542 = 69/3 | VD123 = 69 | FDB244/R |
| 572 = 69/2 | VD123/2 = 69/2 | |
| | VD123/3 = 69/3 | |

Equivalents OE# - FA69

| | | | | |
|---------------|---------------|---------------|---------------|---------------|
| 06455 MA3 405 | 43105 MA3 004 | 43105 MJ6 004 | 45105 MB0 008 | 45105 MK4 004 |
| 451A0 MM9 670 | 43105 MA3 007 | 43105 MJ6 007 | 45105 MB1 701 | 45105 MK6 671 |
| 431A0 MC7 024 | 43105 MC7 | 43105 MJ6 014 | 45105 MB1 702 | 45105 MK7 671 |
| 451A0 MM9 670 | 004/007/024 | 45105 MA6 671 | 45105 MC4 004 | 45105 MK7 672 |
| 43105 KE7 702 | 43105 MC7 014 | 45105 MB0 007 | 45105 MJ1 672 | 45105 MM9 781 |

Equivalents OE# FA69/2

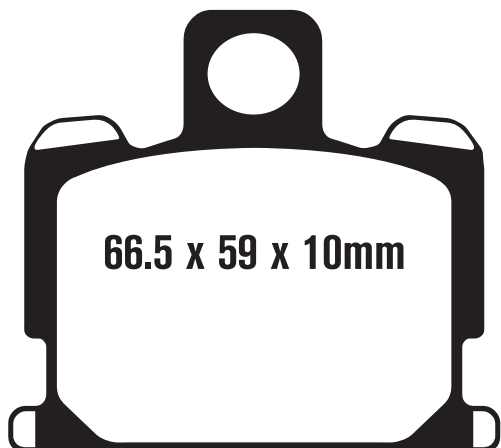
| | | |
|---------------|----------------|---------------|
| 06455 443 405 | 45105 443 761 | 006/016/026 |
| 45105 KL8 405 | 45105 443 762 | 45105 KN8 712 |
| 45105 KL8 405 | 45105 KL8 004 | 45105 MC7 004 |
| 43105 KN8 007 | 45105 KL8 007 | 45105 MC7 007 |
| 43105 MJ6 | 45105 KL8 014 | 45105 MC7 014 |
| 721/722/723 | 45105 KL8 712 | 45105 MC7 024 |
| 43105 MJ6 724 | 45105 KN8 007/ | |

Equivalents OE# FA69/3

| | |
|-------------------|---------------|
| 06455 MT8 405 | 43105 ML7 006 |
| 06435 ML7 405 | 43105 ML7 007 |
| 43105 MB4 007/017 | 43105 ML7 017 |
| 43105 MB4 008 | 43105 ML7 027 |
| 43105 MB6 018/008 | 43105 MN5 008 |
| 43105 MG9 007/017 | 43105 MT8 008 |

| | | |
|----------------|-----------------|--------------------------|
| STD | FA69 | Black - Touring - Road |
| OPTIONS | FA69HH | Sintered HH Sport - Road |
| STD | FA69/2 | Black - Touring - Road |
| STD | FA69/3 | Black - Touring - Road |
| OPTIONS | FA69/3HH | Sintered HH Sport - Road |

FA70



YAMAHA ROAD BIKE

| | | |
|-------------------------------|-------|---|
| RX 50 MK/K/L | 83-84 | F |
| XJ 550 H/J/K 'Maxim' | 81-83 | F |
| XJ 550 RH/RJ/RK 'Seca' | 81-83 | F |
| XJ 750 RH/RJ/RK 'Seca' | 81-83 | F |
| XV 920 J 'Virago' | 82 | F |
| XJ 1100 J | 82 | F |
| XS 1100 LH 'Midnight Special' | 81 | F |

Competitor X Ref

| SBS | Vesrah | Ferodo |
|-----|--------|--------|
| 547 | VD228 | FDB277 |

Equivalents OE#

| | | | |
|--------------|--------------|--------------|--------------|
| 23W W0045 01 | 4L3 W0045 00 | 4W1 W0045 00 | 4W1 W0045 20 |
| 23W W0045 10 | 4L3 W0045 10 | 4W1 W0045 00 | 4W1 W0045 30 |

STD FA70 Black - Touring - Road

Dealer Stocking Recommendation

| Single/Pair | Popularity # | Rec Stocking Level |
|-------------|--------------|--------------------|
| 2 | Y11 | 2 |

FA71



HARLEY DAVIDSON

| | | |
|--|------------|---|
| FX, FXE, FXEF, FXWG, FXS | Late 78-83 | F |
| XL, XLH, XLCH, XLS, XLX | 79-83 | F |
| FXD/FXDL/FXDWG/FXR/FXRS /FXRT/FXRD/FXLR | 82-83 | F |

Equivalents OE#

| |
|----------|
| 44032 77 |
| 44032 79 |

Competitor X Ref

| SBS | Vesrah | Ferodo |
|-----|-----------|--------|
| 537 | VD903/908 | FDB333 |

Dealer Stocking Recommendation

| Single/Pair | Popularity # | Rec Stocking Level |
|-------------|--------------|--------------------|
| 2 | HD4 | 4 |

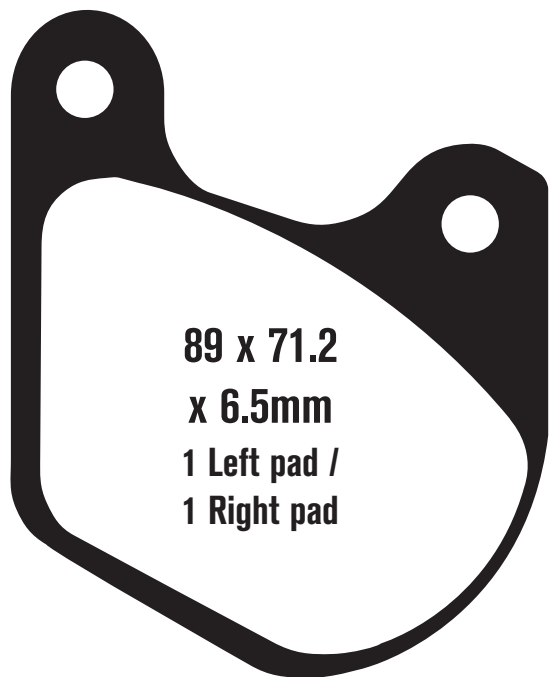
STD FA71 Black - Touring - Road

FA72

HARLEY DAVIDSON

XL, XLH, XLCH, XLS, XLX
FLT, FLHT, FLHTC

79-81 R
80-83 F



Equivalents OE#

43395 80

Competitor X Ref

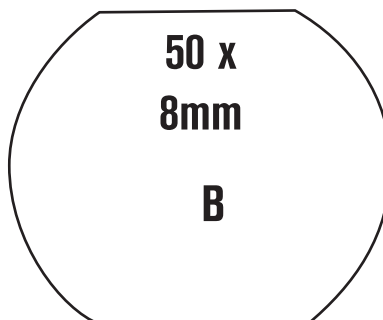
| SBS | Vesrah | Ferodo |
|-----|--------|----------|
| 543 | VD909 | FDB334/R |

Dealer Stocking Recommendation

| Single/Pair | Popularity # | Rec Stocking Level |
|-------------|--------------|--------------------|
| 2 | HD7 | 2 |

STD FA72 Black - Touring - Road

FA73



KAWASAKI ROAD BIKE

| | | |
|------------------------------------|-------|---|
| KZ 440 A1/A2/A3 | 80-82 | F |
| KZ 440 K1/D1/D2/D3/D4 (Ltd) | 80-82 | F |
| KZ 550 A1 | 80 | F |
| KZ 650 C1/C2/C3 (from F/no 023101) | 77-79 | F |
| KZ 650 D2 "SR Series" | 79 | F |
| KZ 650 E1 (Ltd) | 80 | F |
| KZ 650 F1 | 80 | F |
| KZ 750 G1 (Ltd) | 80 | F |
| KZ 1000 C2/C3/C4 | 79-81 | F |
| Z 1000 A3/A3A/A4 | 79-80 | F |
| Z 1000 B3.B4 (Ltd) | 79-80 | F |
| Z 1000 D3 (Z1-R) | 80 | F |
| Z 1000 G1 Classic | 80 | F |

Competitor X Ref

| SBS | Vesrah | Ferodo |
|-----|--------|--------|
| 510 | VD417 | FDB132 |

Equivalents OE#

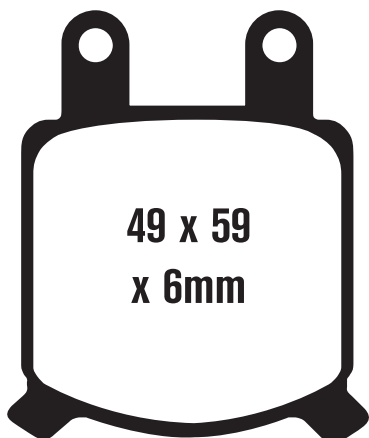
43082 1001
43082 1005

Dealer Stocking Recommendation

| Single/Pair | Popularity # | Rec Stocking Level |
|-------------|--------------|--------------------|
| 2 | K26 | 2 |

STD FA73 Black - Touring - Road

FA76



49 x 59
x 6mm

**GMA 2 Piston (Small)
Aftermarket Caliper
Model B (CC1 # 09 996)
Jaybrake Aftermarket Caliper
Early Design 2 Piston Type**

Equivalents OE#

| |
|----------|
| 310 292 |
| 43 09 11 |

Competitor X Ref

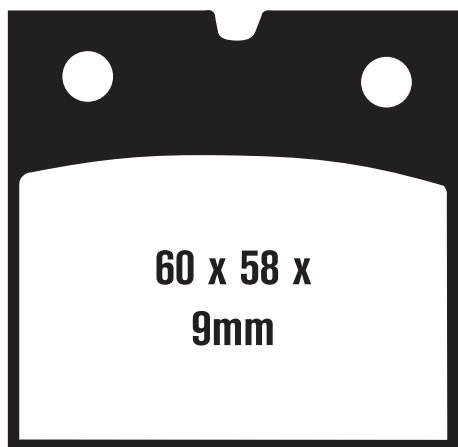
| <u>SBS</u> | <u>Vesrah</u> | <u>Ferodo</u> |
|------------|---------------|---------------|
| 560 | VD928 | FDB205 |

Dealer Stocking Recommendation

| <u>Single/Pair</u> | <u>Popularity #</u> | <u>Rec Stocking Level</u> |
|--------------------|---------------------|---------------------------|
| 1 | - | 1 |

STD FA76 Black - Touring - Road

FA77



60 x 58 x
9mm

Dealer Stocking Recommendation

| <u>Single/Pair</u> | <u>Popularity #</u> | <u>Rec Stocking Level</u> |
|--------------------|---------------------|---------------------------|
| 1 | - | 1 |

Competitor X Ref

| <u>SBS</u> | <u>Vesrah</u> | <u>Ferodo</u> |
|------------|---------------|---------------|
| 554 | VD933 | FDB204/R |

Equivalents OE#

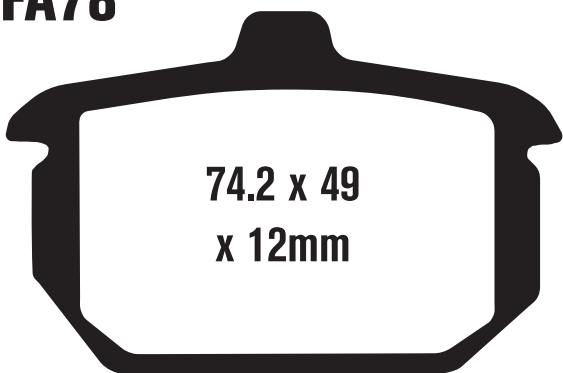
| |
|-----------------|
| 34 11 1 354 720 |
| 18654660 |

BMW

| | | |
|--------------|------------|---|
| R 65 | 07/88-08/9 | F |
| R 80/R 80 RT | 84-95 | F |
| R 80 GS | 87-95 | F |
| R 80 PD/CH | 90-95 | F |
| R 100 GS | 86-90 | F |
| R 100 PD | 89-96 | F |
| R 850 GS | 96 | F |

STD FA77 Black - Touring - Road

FA78



74.2 x 49
x 12mm

**NOW INCLUDES SHIM'S
REF SHFA78**

HARLEY DAVIDSON

| | | |
|--|--------------|---|
| FXST, FXSTB, FXSTC, FXSTS, FLST, FLSTC, FLSTF, FLSTS, FLSTN | 84- Early 87 | R |
| FX, FXE, FXEF, FXWG, FXS | 84-86 | R |
| FXWG, FXSB | 83 | R |
| XL, XLH, XLCH, XLS, XLX | 82- Early 87 | R |
| FXD, FXDL, FXDWG, FXR, FXRS, FXRT, FXRD, FXLR | 82- Early 87 | R |

Equivalents OE#

| |
|-----------|
| 44209 82 |
| 44209 82A |

Competitor X Ref

| <u>SBS</u> | <u>Vesrah</u> | <u>Ferodo</u> |
|------------|---------------|---------------|
| 549 | VD918 | FDB335/R |

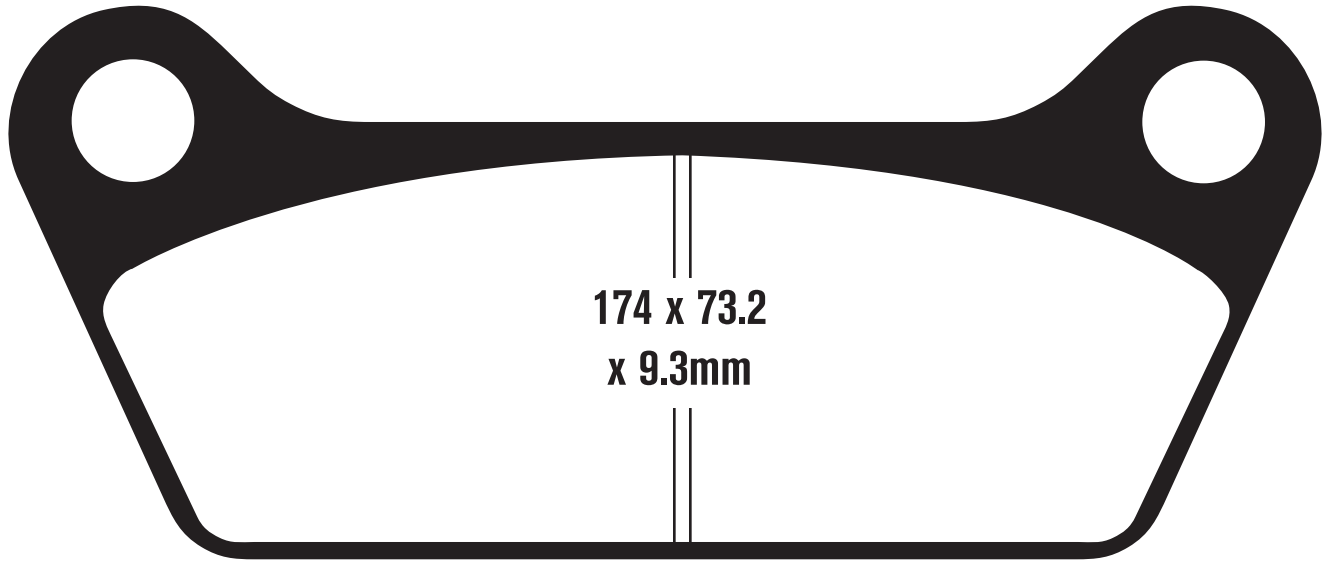
STD FA78 Black - Touring - Road
OPTIONS FA78HH Sintered HH Sport - Road

Dealer Stocking Recommendation

| <u>Single/Pair</u> | <u>Popularity #</u> | <u>Rec Stocking Level</u> |
|--------------------|---------------------|---------------------------|
| 1 | HD6 | 2 |

All part numbers, prefixes and suffixes shown in this catalog are unique and form a registered copyright as the property of EBC Brakes and its UK trademark owners

FA79



HARLEY DAVIDSON

FL, FLH 81-84 R
FLT, FLHT, FLHTC 80-85 R

Equivalents OE# 43957 80

Competitor X Ref

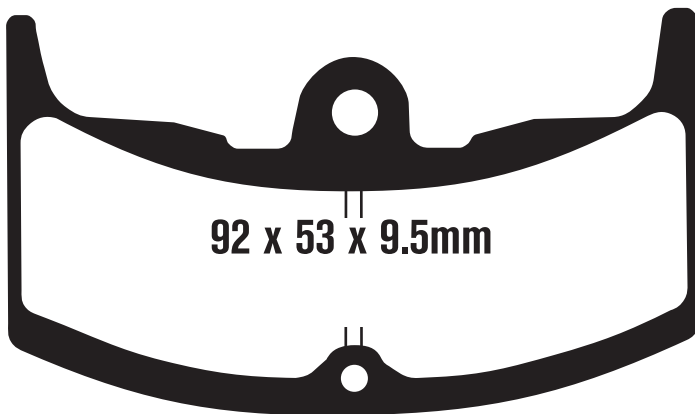
| | | |
|-------------------|------------------------|--------------------|
| <u>SBS</u> 553 | <u>Vesrah</u> VD917 | <u>Ferodo</u> - |
|-------------------|------------------------|--------------------|

Dealer Stocking Recommendation

| | | |
|-------------------------|----------------------------|--------------------------------|
| <u>Single/Pair</u> 1 | <u>Popularity #</u> HD7 | <u>Rec Stocking Level</u> 1 |
|-------------------------|----------------------------|--------------------------------|

STD FA79 Black - Touring - Road

FA80/2



HONDA ROAD BIKE

VTR 250 Intceptor 88-89 F

Equivalents OE# 45105 MA6 004
45105 MA6 007

Competitor X Ref

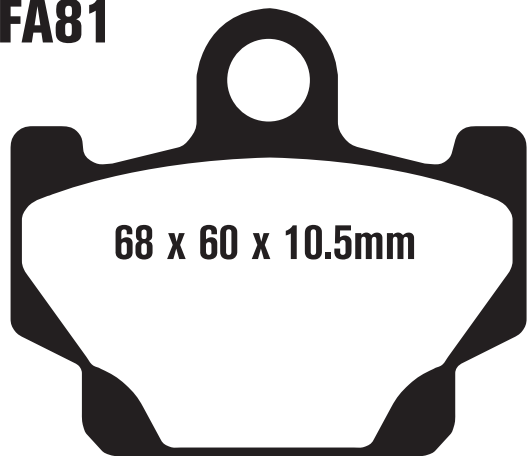
| | | |
|-------------------|------------------------|---------------------------|
| <u>SBS</u> 571 | <u>Vesrah</u> VD129 | <u>Ferodo</u> FDB310/R |
|-------------------|------------------------|---------------------------|

Dealer Stocking Recommendation

| | | |
|-------------------------|--------------------------|--------------------------------|
| <u>Single/Pair</u> 1 | <u>Popularity #</u> - | <u>Rec Stocking Level</u> 1 |
|-------------------------|--------------------------|--------------------------------|

STD FA80/2 Black - Touring - Road

FA81



68 x 60 x 10.5mm

Equivalents OE#

YAMAHA ROAD BIKE

| | | |
|------------------------|-------|---|
| XV 250 U/UC/W/WC/A/AC | 88-90 | F |
| RZ 350 L/N/NC11 | 84-85 | F |
| XS 400 J/K 'Maxim' | 82-83 | F |
| XS 400 RJ/RK | 82-83 | F |
| XV 500 K 'Virago' | 83 | F |
| XZ 550 RJ | 82 | F |
| XZ 550 RK | 83 | F |
| XJ 650 LK 'Seca' | 83 | F |
| XJ 650 LJ 'Seca Turbo' | 82 | F |
| XJ 750 J/K/MK 'Maxim' | 82 | F |

YAMAHA DIRT BIKE

| | | |
|-----------------------|-------|---|
| XT 600 L/LC/N/LN/S/SC | 84-86 | F |
| XT 600 T/TC/U/UC/W/WC | 87-89 | F |

| | | |
|--------------|--------------|--------------|
| 11H W0045 00 | 29L W0045 00 | 43F W0045 01 |
| 11H W0045 01 | 29L W0045 10 | 4XB W0045 00 |
| 11H W0045 11 | 2KJ W0045 00 | 52R W0045 00 |
| 11L W0045 00 | 2UJ W0045 00 | 5R2 W0045 00 |
| 11U W0045 00 | 2UJ W0045 01 | |
| 11U W0045 10 | 34L W0045 10 | |
| 22U W0045 10 | 43F W0045 00 | |

Competitor X Ref

| SBS | Vesrah | Ferodo |
|-----|--------|--------|
| 550 | VD235 | FDB311 |

Dealer Stocking Recommendation

| Single/Pair | Popularity # | Rec Stocking Level |
|-------------|--------------|--------------------|
| 2 | Y9 | 2 |

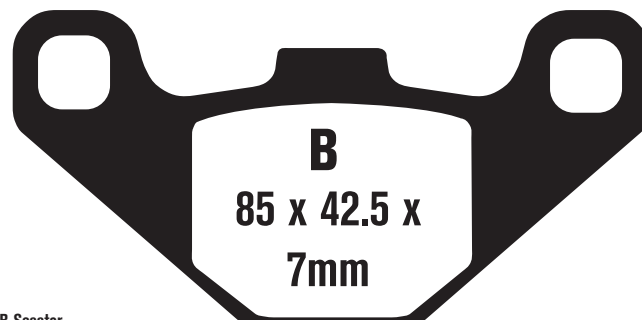
STD FA81 Black - Touring - Road

FA83 FA83/2

A. 47.5 x 37 x 10mm
B. 85 x 42.5 x 17.8mm



A
47.5 x 37
x 9mm



B
85 x 42.5 x
7mm

FA83

| | | | |
|-----------------------------------|-------|-------|--|
| ADLY | | | |
| Fox 50 | 07-09 | F | |
| Jet 50 | 07-09 | F | |
| Noble 50/Thunderbike | 07-09 | F | |
| Panther 50 | 07-08 | F | |
| Thunderbike 150 | 07-09 | F & R | |
| Interceptor 300 | 06 | F & R | |
| 300 Utility | 06 | F & R | |
| CAN AM | | | |
| DS 90 X (2X4/4T) | 08-11 | F & R | |
| Rally 200 (4A7A/B/C/D/E/F) | 07 | F | |
| DINLI | | | |
| Diamond Back 90 | 06 | R | |
| KAWASAKI ROAD BIKE | | | |
| AR 50 A1 | 82 | F | |
| AR 80 A1 | 82 | F | |
| KAWASAKI DIRT BIKE | | | |
| KX 80 E2/E3 | 84-85 | F | |
| KX 80 G1/G2 | 86-87 | F | |
| KX 80 J2/L1-L3/N1-N3/R1-R6 | 87-96 | F | |
| KD 80 N1/N2/N3 | 88-90 | F | |
| KX100 B5/B6 | 95-96 | F | |
| KX 125 B1 | 82 | F | |
| KX 250 B1 | 82 | F | |
| KAWASAKI ATV | | | |
| KXT 250 A1 'Tecate' | 84 | R | |
| SUZUKI DIRT | | | |
| RM 80 G/H/J/K | 86-89 | F | |
| RM 80 L/M/N/P/R/S | 90-95 | F & R | |
| RM 80 T/V/W/X/Y | 96-00 | R | |
| RM 85 K2/K3/LK3/K4/LK4 | 02-04 | R | |
| MZ | | | |
| Moskito/SX 50/RX 50 | 97-05 | F | |
| Moskito 125 R | 00-05 | F | |
| BOMBARDIER/BRP | | | |
| Rally 200 | 03-06 | F | |
| POLARIS ATV | | | |
| Phoenix 200 | 05-11 | F | |
| 200 Phoenix Rear Disc Model | 05-09 | F & R | |
| Sawtooth 200 | 06-07 | F | |
| 200 Sawtooth Quad Rear disc model | 06 | F & R | |

TGB Scooter

| | | |
|--------------------------------|-------|-----|
| Laser R5/i (49cc) | 08-11 | F |
| Delivery 50 (From F/No 609100) | 06-11 | F |
| 101 S (50)/ Key West | 05-11 | F |
| R 50 X | 06-11 | R |
| Sunset 50 | 06-08 | F |
| Sunset 151 | 06-08 | F |
| UM (UNITED MOTORS) | | |
| X-Peed 50/Special Edition | 00-05 | F |
| Earthlander 90 R | 05-06 | R |
| Earthlander 200 | 05-06 | R |
| Moontrax 50 R | 03-06 | R |
| Moontrax 90 R | 03-06 | R |
| Xpeed 50 R | 07-08 | F |
| HYOSUNG | | |
| SD 50 Sense | 06-11 | F |
| SF 50 Rally | 06-11 | F |
| SB 50 M | 06-08 | F |
| SF 50 B Prima | 06-11 | F |
| E-TON | | |
| BXL-50 Draco | 05-06 | R |
| Matrix 50 | 09 | R |
| Matrix R4-150 | 09 | R |
| RXL-50M Viper (4T) | | R |
| Viper 50 RXL 50 | 03-06 | R |
| Viper 70 RLX 70/70M | 05-09 | R |
| RXL 90 Viper 90 | 03-06 | R |
| RXL 90 R Viper 90 R Reverse | 03-09 | R |
| BXL 100 Draco | 05-06 | R |
| Yukon ELX 150 | 05-06 | F |
| Viper EXL 150 ST Quad | 05-06 | F |
| Vector 250 ST Quad VXL | 06-09 | F&R |
| EXL 150 Yukon ST | 05-06 | F |
| YAMAHA ATV | | |
| YFM 90 RY/RZ/RA Raptor | 09-11 | R |
| FA83/2 | | |
| PIAGGIO STREET | | |
| Typhoon 50/SE | 06 | F |
| Typhoon 50 | 07-09 | F |

All part numbers, prefixes and suffixes shown in this catalog are unique and form a registered copyright as the property of EBC Brakes and its UK trademark owners

FA83

FA83/2

FA83/2
Equivalents OE#

| |
|--------|
| 497417 |
| 647171 |

FA83
Equivalents OE#

| | | |
|---------------|-------------|----------------|
| 43022 MAC 000 | 43082 1081 | 705 600 285 |
| 43050 1040 | 43082 1083 | 45110 J4FT 000 |
| 43050 1043 | 43082 1115 | 0453036 |
| 43050 1044 | 43082 1164 | GF5359902 |
| 43050 1051 | 69100 02821 | 0453812 |
| 43050 1169 | 59100 02820 | 0453036 |
| 43082 1065 | 59100 02821 | 43D F5906 00 |
| 43082 1079 | 59100 02830 | |

| | | |
|----------------|-----------------|---------------------------|
| STD | FA83 | Black - Touring - Road |
| OPTIONS | FA83HH | Street - Sintered |
| | FA83R | Sintered Off Road Utility |
| | FA83X | Red - Off Road |
| STD | FA83/2 | Black - Touring - Road |
| OPTION | FA83/2HH | Street Sintered |

Competitor X Ref

| | | |
|------------|---------------|---------------|
| SBS | Vesrah | Ferodo |
| 544 | VD339/342/422 | FDB313 |

Dealer Stocking
Recommendation

| | | |
|--------------------|---------------------|---------------------------|
| Single/Pair | Popularity # | Rec Stocking Level |
| 1 | FA83X - K11 | FA83X - 2 |
| 1 | FA83R - K21 | FA83R - 1 |

BUYERS GUIDE
BRAKE PADS

FA84 46 x 45 x 7.8mm

FA84/2 46 x 45 x 6.5/7.8mm

(1 piece each size per set)

FA84/3 46 x 45 x 6.5mm

FA84

| | | | |
|--|----------|-----|--|
| ARCTIC CAT | | | |
| DVX 400 | 04-08 | F | |
| HONDA ATV | | | |
| ATC* 200 X | 83-85 | F | |
| ATC* 200 X | 86-87 | F&R | |
| ATC* 250 R | 83-84 | F&R | |
| TRX 250 X | 87-92 | F&R | |
| TRX 250 EX | 01-08 | F | |
| TRX 250 X | 08-09/11 | F | |
| TRX 300 X | 09-11 | F&R | |
| ATC* 350 X | 85-86 | R | |
| TRX 300 EX Fourtrax/Sportrax | 93-08 | F&R | |
| TRX 400 EX Fourtrax/Sportrax | 99-08 | F&R | |
| TRX 400 X | 09-11 | F&R | |
| TRX 420 TE Fourtrax Rancher ES | 07-10 | F | |
| TRX 420 TM7/TM8/TM9 Fourtrax Rancher | 07-10 | F | |
| TRX 420 FPA Power Steering Fourtrax Rancher AT | 09-10 | F | |
| TRX 420 FA Fourtrax Rancher AT | 09-10 | F | |
| TRX 420 FPE Fourtrax Rancher 4x4 ES/EPS | 09-10 | F | |
| TRX 420 FE Fourtrax Rancher 4x4/ES | 07-10 | F | |
| TRX 420 FPM Fourtrax Rancher 4x4 PS | 09-10 | F | |
| TRX 420 FM Fourtrax Rancher 4x4 | 07-10 | F | |

* - ATC is a Registered Trademark of Honda Motor Corporation

| | | | |
|--|-------|---|--|
| KAWASAKI ATV | | | |
| KSF 250 A1-A18 'Mojave' | 87-04 | R | |
| KXT 250 B2 'Tecate' | 87 | R | |
| KXF 250 A1/A2 Tecate | 87-88 | R | |
| KEF 300 A1/A2/A3/A4/A5/A6 | | | |
| Lakota | 95-00 | R | |
| KEF 300 B1/B2/B3 Lakota Sport | 01-03 | R | |
| KSF 400 A1/A2/A3/A6F (KFX 400) | 03-06 | F | |
| KFX 450 R (KSF 450 B8F/B8FA/B9F/BAF/B8F) | 08-11 | R | |
| HONDA DIRT BIKE | | | |
| CR 80 R/RB Expert | 86-02 | F | |
| CR 85 R/85 R Expert | 03-07 | F | |
| CRF 150 R/RS | 07-09 | F | |

| | | | |
|---|----------|---|--|
| KAWASAKI DIRT BIKES | | | |
| KX 80 L1-L3/N1/N2/N3 | | | |
| R1-R7/W1/W/W3 | 88-00 | R | |
| KX 85 A1/A2/A3/A4/A5/A6F/A7F/A8F/A9F/AAF/ABF | 01-11 | R | |
| KX 100 B5/B6/B7/C1/C2/C3/D1/D2/D3/D4/D5/D6F/D7F/D8F/D9F/DBF | 95-09/11 | R | |
| KLX 140 A8F/A9F/AAF/ABF (KLX 140) | 08-11 | R | |
| KLX 140 B8F/B9F/BAF/BBF (KLX 140 L) | 08-11 | R | |

| | | | |
|--------------------------------------|-------|---|--|
| SUZUKI ATV | | | |
| LT 230 EH/EJ/EK/EL/EM/EN/EP | 86-93 | R | |
| LT 250 SK/SL | 89-90 | R | |
| LT-Z 250 K4/K5/K6/K7/K8/K9 QuadSport | 04-11 | F | |
| LT-Z 400 K3/K4/K5/K6/K7/K8/K9 | | | |
| /ZK9/L0 QuadSport | 03-10 | F | |
| SUZUKI DIRT | | | |
| RM 100 K3 | 03 | R | |

| | | | |
|---|-------|-----|--|
| YAMAHA ATV | | | |
| YFM 125 RA Raptor | 11 | R | |
| YFS 200 R/S/T/V Blaster | 03-06 | R | |
| YFM 250 RX/RV/RZ Raptor | 08-10 | R | |
| YFM 250 RSPX Special Edition | 08 | R | |
| YFM 250 RSPXC Special Edition Custom | 08 | R | |
| YFM 250 R (RSPA) | 11 | R | |
| YFM 350 XT/XU/XV/XA/XB/XD | | | |
| /XE/XF/XG/XH/XJ/XK/XL/XM | | | |
| /XN/XP/XR/XS Warrior | 87-04 | R | |
| YFZ 350 T/U/W/A/B/D/E/F/G | | | |
| /H/J/K/L/M/N/P/R/S/T/V Banshee | 87-06 | R | |
| YFM 350 FXG/FXH/FXJ/FXK | | | |
| FXL/FXM/FXN/FXP/FXR/FXS/FXT | 95-05 | R | |
| YFM 350 RS/RT/RV/RW/RX/RY/RZ/RA Raptor | 04-11 | F&R | |
| YFZ 450 S/T | 04-05 | R | |
| YFM 600 FWAK/FWK/FWAL | | | |
| LC/FWAM/MC | 98-00 | F | |
| YFM 600 HM/HMC | 00 | F | |
| YFM 600 FWAN/FWAHN | 01 | F | |
| YFM 660 RN/RP/RPB/RR/RS/RT Raptor | 01-05 | F&R | |
| YFM 660 FAP/FHAP/FSAP/FAR/FHS/FHT | | | |
| /FS/FT/FV/FAW/FGHW/FGX/FGHX | | | |
| Grizzly/660 Hunter Edition | 02-08 | F | |
| YFM 660 FAHDV/W Ducks Unlimited Edition/Side x Side | 06-08 | F | |

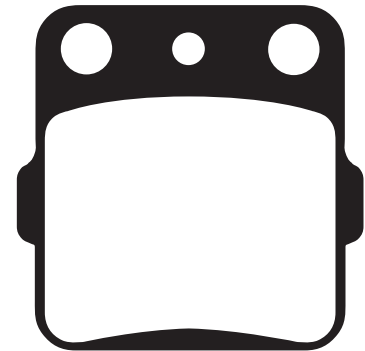
| | | | |
|------------------|-------|---|--|
| HUSQVARNA | | | |
| CR 125 | 92-94 | R | |
| WR 125 | 93-94 | R | |
| CR 250 | 92-94 | R | |
| WR 250 | 92-94 | R | |
| TE 350 | 92-94 | R | |
| CR 360 | 92-94 | R | |
| WR 360 | 92-94 | R | |
| TC 610 | 92-94 | R | |
| TE 610 | 92-94 | R | |

FA84/2

| | | | |
|------------------|-------|---|--|
| HONDA ATV | | | |
| ATC 200 X | 83-85 | R | |
| ATC 250 R | 82 | R | |

FA84/3

| | | | |
|-------------------------|-------|---|--|
| SUZUKI DIRT BIKE | | | |
| RM 125 J | 88 | R | |
| SUZUKI ATV | | | |
| LT 230 SF/SG/SH/SJ | 85-88 | R | |
| LT 250 RF/RG | 85-86 | R | |
| YAMAHA DIRT BIKE | | | |
| YZ 80 E/F/G/H/J/K/L/M/N | 93-01 | R | |
| YZ 85 P/R/S/T/V/W/X/Y/Z | 02-10 | R | |
| YZ 125 W | 89 | R | |
| YZ 250 W/WRW | 89 | R | |



FA84 46 x 45 x 7.8mm
FA84/2 46 x 45 x 6.5/7.8mm
 (1 piece each size per set)
FA84/3 46 x 45 x 6.5mm

Equivalents OE# - FA84

| | | |
|---------------|---------------|--------------|
| 06435 HA5 405 | 43082 S006 | 4WV W0045 00 |
| 06435 HP5 602 | 43120 HA5 305 | 5LP W0046 50 |
| 06455 GBF JD1 | 69140 19A00 | 5LP W0045 00 |
| 43106 961 006 | 69140 19A01 | 43082 1205 |
| 45105 961 000 | 69140 19A11 | 59300 42850 |
| 45110 HB7 007 | 69140 19A10 | 59300 42860 |
| 451A0 HB5 670 | 1UY W0046 00 | 59300 42870 |
| 43082 1066 | 431A0 HA5 690 | 3406-031 |
| 43082 1082 | 4D3 W0046 50 | 3406-032 |

FA84
Dealer Stocking
Recommendation

| <u>Single/Pair</u> | <u>Popularity #</u> | <u>Rec Stocking Level</u> |
|--------------------|---|---------------------------|
| 1 | FA84R - H2/K20/S10/Y20 FA84X - H3/S9/K14/Y19 | FA84R - 14 FA84X - 12 |

FA84/2
Dealer Stocking
Recommendation

| <u>Single/Pair</u> | <u>Popularity #</u> | <u>Rec Stocking Level</u> |
|--------------------|--------------------------------|----------------------------|
| 1 | FA84/2R - H15 FA84/2X - N/A | FA84/2R - 1 FA84/2X - 1 |

FA84/3
Dealer Stocking
Recommendation

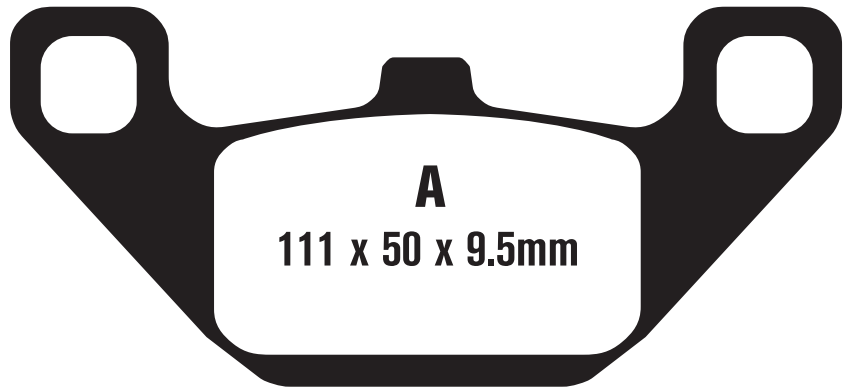
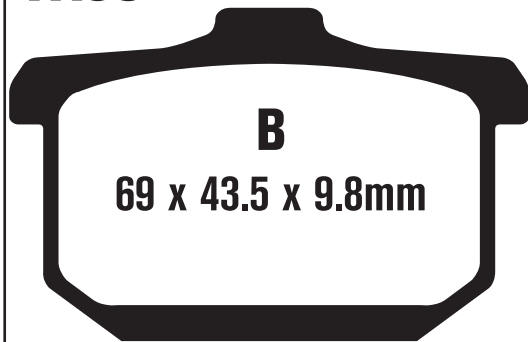
| <u>Single/Pair</u> | <u>Popularity #</u> | <u>Rec Stocking Level</u> |
|--------------------|------------------------------------|----------------------------|
| 1 | FA84/3R - S12/Y12 FA84/3X - N/A | FA84/3R - 1 FA84/3X - 1 |

| | | |
|---------|---------|---------------------------|
| STD | FA84X | Red - Off Road |
| OPTIONS | FA84R | Sintered Off Road Utility |
| | FA84SV | Sintered ATV Severe Duty |
| | MXS84 | Sintered Off Road Race |
| STD | FA84/2R | Sintered Off Road Utility |
| STD | FA84/3R | Sintered Off Road Utility |
| OPTION | MXS84/3 | Sintered - Off Road Race |

Competitor X Ref

| <u>SBS</u> | <u>Vesrah</u> | <u>Ferodo</u> |
|----------------------------|---------------|---------------|
| 562= FA84/2 584= FA84/3 | VD127/334/336 | FDB661 |

FA85



KAWASAKI ROAD BIKE

| | | |
|--------------------------------------|-------|-------|
| EX 250 E1/E2 'Ninja' | 86-87 | F & R |
| EL 250 B2/B3 Eliminator | 88-89 | F |
| EL 250 E1/E2/E3/E4 250 HS | 91-95 | F |
| EL 250 F2 'EL252' | 97-99 | F |
| EX 305 B1 (GPz) | 83 | F |
| EN 450 A1/A2/A3/A4/A5/A6 (454 Ltd) | 85-90 | F |
| EN 500 A1/A2/A3/A4/A5/A6 | 90-95 | F |
| EN 500 C1-C10/C6F/C7F/C8F/C9F Vulcan | 96-09 | F |
| ZX 550 A1/A2/A3 (GPz) | 84-86 | F & R |
| ZL 600 A1/A2 | 86-87 | F |
| ZX 600 A1/A2/A3/B1 'Ninja' | 85-87 | F & R |
| VN 700 A1 'Vulcan' | 85 | F |
| ZN 700 A1/A2 (LTD) | 84-85 | F & R |
| KZ 750 K1/K2 (LTD) | 83-84 | F |
| VN 750 A2-A21/A6F 'Vulcan' | 86-06 | F |
| ZX 750 A1/A2/A2L/ A3 (GPz) | 83-85 | F & R |
| ZX 750 E1/E2 'Turbo' | 84-85 | F & R |
| VN 800 A1-A11 Vulcan | 95-05 | F |

| | | |
|--|-------|-------|
| ZL 900 A1/A2 'Eliminator' | 85-86 | F & R |
| ZX 900 A1/A2/A3 Ninja | 84-86 | F & R |
| ZG 1000 A1/A2/A3/A4/A5/A7/A8 'Concours' | 86-93 | F & R |
| ZG 1000 A9-A20 'Concours' | 94-05 | R |
| ZG 1000 A6F Concours | 06 | R |
| ZL 1000 A1 | 87 | F & R |
| ZX 1000 A1/A2 'Ninja' | 86-87 | F & R |
| ZN 1100 B1/B2 (LTD) | 84-85 | F & R |
| ZX 1100 A1/A2 (GPz) | 83-84 | F & R |
| ZG 1200 A1/A2/B1-B4/B6-B17 'Voyager XII' | 86-03 | F & R |
| ZN 1300 A1/A2/A3/A4/A5/A6 'Voyager' | 83-88 | F & R |
| VN 1500 A1-A13 'Vulcan' | 87-99 | F & R |
| VN 1500 B1/B2/B3/B4/Vulcan 88 SE /C3/C4 'Vulcan' | 87-97 | F & R |
| VN 1500 D1/D2/E1/E2 Vulcan Classic | 96-97 | R |
| VN 1500 G1/G1A/G2A Nomad | 99-00 | R |

Equivalents OE#

| | | |
|------------|------------|------------|
| 43082 1029 | 43082 1061 | 43082 1167 |
| 43082 1031 | 43082 1062 | |
| 43082 1057 | 43082 1080 | |

Competitor X Ref

| | | |
|------------|---------------|---------------|
| SBS | Vesrah | Ferodo |
| 557 | VD424/426 | FDB339/R |

Dealer Stocking Recommendation

| | | |
|--------------------|---------------------|---------------------------|
| Single/Pair | Popularity # | Rec Stocking Level |
| 2 | K1 | 10 |

| | | |
|---------------|---------------|--------------------------|
| STD | FA85 | Black - Touring - Road |
| OPTION | FA85HH | Sintered HH Sport - Road |

FA86



HONDA ROAD BIKE

| | | |
|-----------------------|-------|-----|
| CMX 250 C/CD Rebel | 85-87 | F |
| ATK STREET | | |
| GT 250 R V-Twin Sport | 11 | F&R |
| GV 250 V-Twin | 11 | F |
| GT 650 R V-Twin Sport | 11 | F&R |
| GV 650 V-Twin Cruiser | 11 | F&R |
| U.M STREET | | |
| V2C-250 T | 06-08 | F |
| V2S 250 R | 06-08 | F&R |
| V2C-650 S | 06-08 | F&R |
| V2S 650/650 R | 06-08 | F&R |
| HYOSUNG | | |
| GV 650 | 06-11 | F&R |
| GV 250 | 06-11 | F |
| MS3 125 | 06-07 | F&R |
| MS3 250 | 06-11 | F&R |
| GT 250 R | 06-11 | F&R |
| GT 650 R | 06-11 | F&R |
| GT 650 S | 06-11 | F&R |
| GT 650 | 06-11 | F&R |
| GT 250 | 06-11 | F&R |
| RX 125 | | F |
| ST7 Custom | 10-11 | R |
| SACHS | | |
| Mad Ass 50 | 09 | F |
| Mad Ass 125 | 10-11 | F |

Competitor X Ref

| | | |
|------------|---------------|---------------|
| SBS | Vesrah | Ferodo |
| 551 | VD131 | FDB312 |

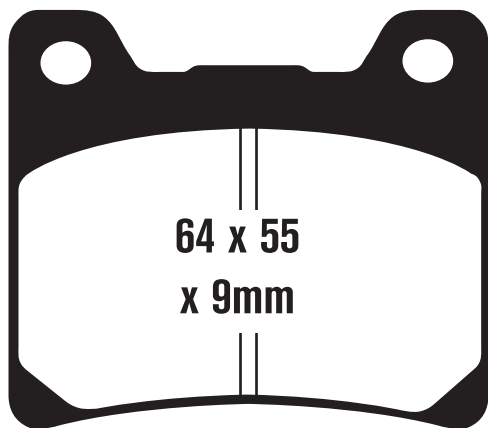
Dealer Stocking Recommendation

| | | |
|--------------------|---------------------|---------------------------|
| Single/Pair | Popularity # | Rec Stocking Level |
| 1 | H28 | 1 |

Equivalents OE#

| | | | |
|---------------|---------------|---------------|---------------|
| 45105 GE2 004 | 45105 KK4 007 | 45105 KR3 014 | 451A0 KR3 603 |
| 45105 GE2 006 | 45105 KK4 014 | 45105 KR3 601 | 59300 HG5 800 |
| 45105 GE2 305 | 45105 KR3 004 | 45105 KR3 602 | 251 0037A |
| 45105 KK4 004 | 45105 KR3 007 | 45105 KR3 603 | |

| | | |
|---------------|---------------|--------------------------|
| STD | FA86 | Black - Touring - Road |
| OPTION | FA86HH | Sintered HH Sport - Road |



FA88

64 x 55
x 9mm

YAMAHA ROAD BIKE

| | | | | | |
|---|-------|-------|--|-------|-------|
| RZ 350 L/N/NC11 | 84-85 | R | GTS 1000 AE/AEC/AF/AFC | 93-96 | R |
| FZR 400 U/SUC/W/SWC | 88-89 | F | YZF 1000 R (RJ) | 97 | R |
| XJ 400 S Seca II | 93 | R | FJ 1100 L/LC/N/NC | 84-85 | F & R |
| RZ 500 | 84-86 | F | XV 1100 'All Models' | 86-97 | F |
| FJ 600 L/LC/N/NC | 84-85 | F & R | XVS 1100 ATS V-Star Silverado/Custom | 04-08 | R |
| FZ 600 S/SC/T/TC/U/UC | 86-88 | F | XVS 1100 AS V-Star Classic | 04-08 | R |
| YX 600 S/SC/T/U/W/A/TC/ UC/WC/AC 'Radian' | 86-90 | F | FJ 1200 S/SC/T/TC | 86-87 | F & R |
| FZR 600 W/WC | 89 | F & R | FJ 1200 W/WC/A/AC | | |
| FZR 600 AC/RAC/RA/RBC/RD/RDC/ RE/REC/RF/RFC/RG/RGC/RH/ RHC/RJ/RJC/RK/RKC/RL/RLC | 90-00 | R | B/BC/D/DC/AD/ADC/AE/AEC | 89-93 | R |
| YZF 600 RG/RGC/RH/RHC | 95-96 | R | XVZ 12 TK 'Venture' | 83 | F & R |
| YZF 600 RJ/RK/RL/RM/RN/RP/RR/RS/RT/RV/RW | 97-07 | R | XVZ 12 L/KC2 Venture | 84 | F & R |
| FZ 700 T/TC Genesis | 87 | F & R | XVZ 12 TDK/DL/DKC2 Venture Royale | 83-84 | F & R |
| FZX 700 S/SC/T/TC 'Fazer' | 86-87 | F & R | XVZ 12 DN 'Venture Royale' | 85 | F & R |
| XJ 700 N/NC/XN/XNC/XS/ XSC/S/SC | 85-86 | F | V-Max VMX 12 N/NC/S/SC/U/UC/W /WC/A/AC/B/BC/D/DC | 85-92 | F & R |
| XV 700 L/LC/N/NC/CS/CT/ CTC/CSC/SS/SSC/ST/STC | 84-87 | F | XVS 1100 V Star Custom/V Star Classic | 99-09 | R |
| FZ 750 N/S/SC/U/UC | 85-88 | F & R | XVS 1100 V-Star Silverado | 03-09 | R |
| XV 750 U/UC/W/WC/A/AC/B/BC/D/DE /E/EC/F/FC/G/GC/H/HC/J/JC | 88-97 | F | XVS 1100 W-M V-Star Custom Midnight | 07-09 | R |
| FZR 750 'Genesis' RU/RT | 87-88 | R | VMX 12 E/EC/F/FC/G/GC/H/HC/J/JC/K/KC/L/LC /M/MC/N/NC/P/PC/R/RC/S/SC/T/V/W V-Max | 93-07 | R |
| FZR 750 (OWO1) | 89-92 | R | | | |
| YFZ 750 R/SP | 93-96 | R | | | |
| TDM 850 D/DC/E/EC | 92-93 | R | | | |
| XJ 900 RK 'Seca' | 83 | F & R | | | |
| XV 1000 L/LC/N/NC | 84-85 | F | | | |
| FZR 1000 'Genesis' T/TC/U/UC | 87-88 | R | | | |
| FZR 1000 W/WC/A/AC/B/BC EX-UP | 89-91 | R | | | |
| FZR 1000 D/DC/E/EC/F/FC/G/GC EX-UP | 92-96 | R | | | |

Equivalents OE#

| | | | |
|--------------|--------------|--------------|--------------|
| 1FK W0045 00 | 1UF W0045 01 | 31A W0046 00 | 3HE W0045 00 |
| 1FK W0045 00 | 26H W0045 00 | 31A W0046 10 | 3HE W0045 11 |
| 1FK W0046 00 | 26H W0045 01 | 33M W0045 01 | 47X W0045 00 |
| 1FK W0046 01 | 26H W0045 10 | 33M W0045 10 | 47X W0045 01 |
| 1FX W0046 01 | 26H W0046 00 | 36H W0046 01 | 4FM W0046 00 |
| 1KF W0045 00 | 26H W0046 01 | 37A W0045 00 | 3PA W0045 00 |
| 1UF W0045 00 | 29L W0046 01 | 38A W0045 01 | 3XF W0045 00 |

Competitor X Ref

| | | |
|-------------------|------------------------|---------------------------|
| SBS 555 | Vesrah VD236 | Ferodo FDB337/R |
|-------------------|------------------------|---------------------------|

| | | |
|---------------|---------------|--------------------------|
| STD | FA88 | Black - Touring - Road |
| OPTION | FA88HH | Sintered HH Sport - Road |

Dealer Stocking Recommendation

| | | |
|--------------------|---------------------|---------------------------|
| Single/Pair | Popularity # | Rec Stocking Level |
| 2 | Y1 | 10 |

All part numbers, prefixes and suffixes shown in this catalog are unique and form a registered copyright as the property of EBC Brakes and its UK trademark owners

FA90



HONDA ROAD BIKE

| | | |
|----------------------------------|-------|---|
| CB 450 T 'Hawk' | 82 | F |
| CB 450 SC 'Nighthawk' | 82 | F |
| CM 450 C Custom (from CM 001212) | 82 | F |
| CM 450 A Hondamatic | 83 | F |
| CB 650 SC 'Nighthawk' | 82 | F |
| VT 700 C 'Shadow' | 84-85 | F |
| CB 750 C (from CM 204182) | 82 | F |
| VT 750 C 'Shadow' | 83 | F |

Equivalents OE#

| |
|---------------|
| 45105 MA5 771 |
| 45105 MA5 772 |
| 45105 MC9 305 |

Dealer Stocking Recommendation

| Single/Pair | Popularity # | Rec Stocking Level |
|-------------|--------------|--------------------|
| 2 | H26 | 2 |

Competitor X Ref

| SBS | Vesrah | Ferodo |
|-----|--------|--------|
| 561 | VD130 | - |

STD FA90 Black - Touring - Road

FA92



HONDA DIRT BIKE

| | | |
|-------------------|-------|---|
| CR 125 R | 84-86 | F |
| CR 250 R | 84-86 | F |
| XR 250 R Pro Link | 84-87 | F |
| XR 350 R | 84-85 | F |
| XL 350 R | 84-85 | F |
| CR 500 R | 84-86 | F |
| XR 500 R Pro Link | 83-84 | F |
| XL 600 R | 83-87 | F |
| XR 600 R | 85-87 | F |

HONDA ATV

| | | |
|------------|-------|-------|
| TRX 250 R | 86-89 | R |
| ATC* 250 R | 85-86 | F & R |
| ATC* 350 X | 85 | F |

* - ATC is a Registered Trademark of Honda Motor Corporation

Competitor X Ref

| SBS | Vesrah | Ferodo |
|-----|-----------|--------|
| 558 | VD134/136 | FDB382 |

Equivalents OE# FA92

| | | |
|---------------|---------------|---------------|
| 45105 G04 601 | 45105 KE1 743 | 451A0 MG3 670 |
| 45105 HA2 671 | 45105 KE1 744 | 451A0 K13 731 |
| 45105 HB9 008 | 45105 KS5 004 | 43105 HB9 008 |
| 45105 KA3 731 | 45105 KS5 006 | 431A0 HB9 008 |
| 45105 KE1 742 | 45105 MG3 006 | |

STD FA92X Red - Off Road
OPTIONS FA92R Sintered Off Road Utility

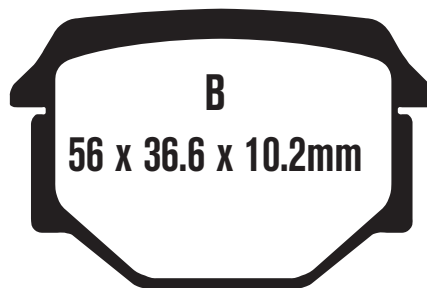
Dealer Stocking Recommendation

| Single/Pair | Popularity # | Rec Stocking Level |
|-------------|----------------------------|------------------------|
| 1 | FA92X - H19 FA92R - H20 | FA92X - 2 FA92R - 1 |

FA93



A
88 x 48 x 7.8mm



B
56 x 36.6 x 10.2mm

TGB Scooter
Delivery 151
R 50 X

05-11 F
06-11 F

Dealer Stocking Recommendation

| Single/Pair | Popularity # | Rec Stocking Level |
|-------------|--------------|--------------------|
|-------------|--------------|--------------------|

Equivalents OE#

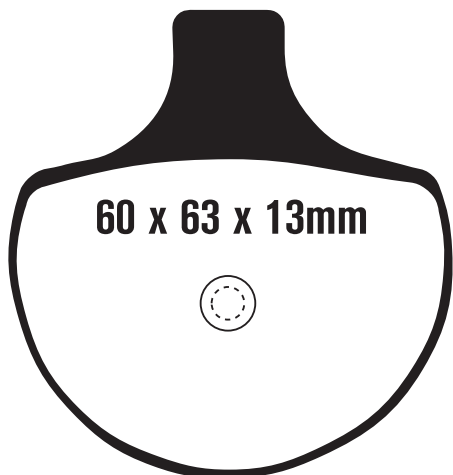
413610

Competitor X Ref

| SBS | Vesrah | Ferodo |
|-----|--------|--------|
|-----|--------|--------|

STD FA93 Black - Road

FA94



60 x 63 x 13mm

HARLEY DAVIDSON

| | | |
|---|-------|---|
| FXD, FXDL, FXDWG, FXR, FXRS, FXRT, FXRD, FXLR | 84-99 | F |
| FXST, FXSTB, FXSTC, FXSTS, FLST, FLSTC, FLSTF, FLSTS, FLSTN | 84-99 | F |
| FX, FXE, FXEF, FXWG, FXS | 84-86 | F |
| XL, XLH, XLCH, XLS, XLX | 84-99 | F |
| FLT, FLHT, FLHTCI | 84-99 | F |
| FLHR, FLHRCI | 94-99 | F |
| FXSTS/FLSTSi | 00-05 | F |
| FLSTSC/FLSTSCI Springer Classic | 05-07 | F |
| FLSTSB Softail Cross Bones | 08-11 | F |

Supplied complete with M6 screw 12mm thread length & washer

1 Threaded Pad / 1 Plain Pad

Equivalents OE#

| | | |
|-----------|-----------|-----------|
| 43063 83 | 44603 839 | 44247-98A |
| 44603 83A | 44063 83C | |

Competitor X Ref

| SBS | Vesrah | Ferodo |
|-----|--------|----------|
| 579 | VD919 | FDB352/R |

| | | |
|----------------|---------------|-------------------------------|
| STD | FA94 | Black - Touring - Road |
| OPTIONS | FA94S | Green - Race Use |
| OPTIONS | FA94HH | Sintered HH Sport |

Dealer Stocking Recommendation

| Single/Pair | Popularity # | Rec Stocking Level |
|-------------|--------------|--------------------|
| 2 | HD3 | 6 |

FA95 69.2 x 51 x 8.2mm

FA95/2 69.2 x 51 x 11.2mm

FA95

ATK

Motard 450 07 F
600 DTM Dirt Track Motard 03 F

BREMBO

BRE 20 5165 55/65 Goldline 4 piston F
BRE 20 4756 05/06 Billet 4 piston F

CAGIVA

Mito 125 92-02 F

DUCATI

Supersport 400 93-97 F
400 Monster 95-97 F
(549cc) Supermoto 93-95 F
600 Monster 93-99 F
600 Monster Dark 98-99 F
600 Monster City/City Dark 99 F
600 Supersport 91-97 F
748 SP/Biposto 95-98 F
750 Supersport 91-98 F
750 Monster 96-98 F
750 Monster City/City Dark 99 F
750 Monster/Monster Dark 99 F
851 Superbike Biposto 89-92 F
888 SP4/SP5 92-93 F
888 Superbike Strada 94-95 F
900 Supersport 89-90 F
900 Supersport/Superlight 91-97 F
900 Supersport - CR USA 98 F
900 Supersport FE 98 F
900 Monster 93-99 F
900 Monster Cromo/Special 98 F
900 Monster City/City Dark 99 F
907 IE 90-93 F
916 Biposto-Senna 94-98 F

HUSQVARNA

SM 400 R 02 F
SM 450 R 03-06 F
SM 510 R 05 F
SM 570 R 01-04 F
SMR 630 06 F

INDIAN

Chief Blackhawk 11 F
Chief Blackhawk Dark 11 F
Chief Class 11 F
Chief Deluxe (Brembo calipers) 09-11 F
Chief Roadmaster (Brembo calipers) 09-11 F
Chief Standard (Brembo calipers) 09-11 F
Chief Vintage (Brembo calipers) 09-11 F
Dark Horse (Brembo calipers) 10-11 F
Bomber (Brembo calipers) 10-11 F

KTM

Duke 125 11 F
Duke 400 LC4 94-98 F
Duke 620 LC4 94-98 F
SMC 660 Supermoto 03-04 F

LAVERDA

650 Sport 94-95 F
668 Diamante/Ghost/Strike 96-98 F
750 S Formula/Sport 98-00 F
750 Strike Bifaro/Monofaro 98-00 F
750 S Carenta 98-00 F



MOTO GUZZI

Daytona 1000 92-95 F
Daytona 1000 RS 97-98 F
V10 Centauro 97-99 F
California EVII 97-01 F
Sport 1100 94-99 F
Sport Corsa 1100 98-99 F

REVTECH

CCI Polished caliper (CCI # 59 - 110) F & R

TM (DIRT)

SMR 125 (2T) 05-08 F
SMR 450 F ES (4T) 05-08 F
SMR 530 F ES (4T) 05-08 F

VOR DIRT

SM-E 450/530 04 F

GAS-GAS

SM 125/250 (2T) 01-05 F
SM 400 FSE (2T) 01-02 F
SM 450 03-05 F

WILLWOOD AFTERMARKET CALIPER

GP 300/310 (Part No. 150 8733-2)

FA95/2

WILLWOOD AFTERMARKET CALIPER

GP 320 (Part No. 154 8596K)

Equivalents OE#

| | | |
|----------------|-----------------|----------------|
| 613 4 004 24 | 000 3065 46020 | 573 13 030 000 |
| 000 3065 46300 | 047 00 20000 36 | 5002517 |
| 000 3065 46000 | 583 13 209 000 | |

Competitor X Ref

| | | |
|-------------------|------------------------|--------------------------|
| SBS 566 | Vesrah VD945 | Ferodo FRP 408 |
|-------------------|------------------------|--------------------------|

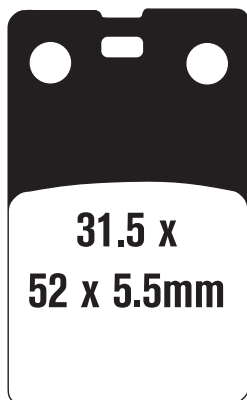
| | | |
|---------|----------|--------------------------|
| STD | FA95 | Black - Touring - Road |
| OPTIONS | FA95HH | Sintered HH Sport - Road |
| | EPFA95HH | Sintered HH Race |
| STD | FA95/2 | Black - Touring - Road |

Dealer Stocking Recommendation

| | | |
|--------------------|---------------------|---------------------------|
| Single/Pair | Popularity # | Rec Stocking Level |
| 2 | - | 2 |

All part numbers, prefixes and suffixes shown in this catalog are unique and form a registered copyright as the property of EBC Brakes and its UK trademark owners

FA99



BETA

| | | |
|--------------|-------|---|
| 125 TR 32/33 | 86-87 | F |
| 125 TR 34 | 88 | F |
| 240 TR 33 | 86-88 | F |
| 260 TR 34 | 86-88 | F |

MAICO/M-STAR

| | | |
|-------------|-------|-------|
| Disc models | 86 | F |
| Disc models | 87-88 | F & R |

Equivalents OE#

| |
|---------------|
| 266 07 6340 |
| 510 362 4 282 |

Competitor X Ref

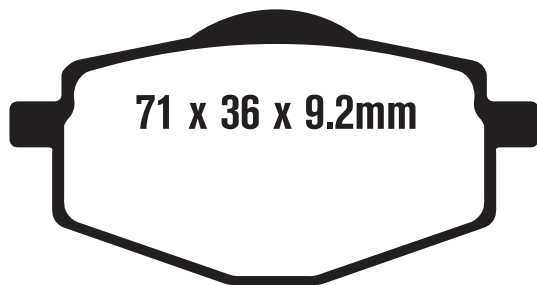
| SBS | Vesrah | Ferodo |
|-----|--------|---------|
| 595 | VD932 | FDB 436 |

| | | |
|---------|-------|---------------------------|
| STD | FA99X | Black - Off Road |
| OPTIONS | FA99R | Sintered Off Road Utility |

Dealer Stocking Recommendation

| Single/Pair | Popularity # | Rec Stocking Level |
|-------------|--------------|--------------------|
| 1 | - | 1 |

FA101



YAMAHA ROAD BIKE

| | | |
|-----------------------|-------|---|
| YSR 50 T/U/W/A/B/D | 87-92 | F |
| YJ 125 S/T/V/W/X Vino | 04-09 | F |

YAMAHA DIRT BIKE

| | | |
|---|-------|---|
| YZ 125 U | 88 | R |
| RT 180 A/B/D/E/G/H/J | 90-97 | F |
| XT 225 D/DC/E/EC/F/FC/G/GC/F/FH /J/JC/K/KC/L | 92-98 | F |
| TT 225 S/T | 86-87 | F |
| TT-R 225 L/M/N/P/R/S | 99-04 | F |
| YZ 250 U | 88 | R |
| XT 350 N/NC/S/SC/T | | |
| TC/U/UC/W/WC/A/B/BC/D/E/EC/F/FC/G /GC/H/HC/J/JC/K/KC/L/M | 85-00 | F |
| XT 600 EA/EB/ED/EDC/EE/EEC/EF/EFC /EG/EGC | 90-95 | R |
| TT 600 N/S | 85-86 | F |

YAMAHA ATV

| | | |
|------------------------|-------|-------|
| YTZ 250 N/S 'Tri Moto' | 85-86 | F & R |
| YFM 350 XT/XU Warrior | 87-88 | F |
| YFZ 350 Banshee T/U/W | 87-89 | F |

Equivalents OE#

| | | |
|--------------|--------------|--------------|
| 1UY W0045 00 | 34X W0046 00 | 3BN W0045 01 |
| 1UY W0045 01 | 34X W0046 01 | 3FY W0045 00 |
| 1UY W0045 02 | 34X W0046 02 | 3XP W0045 00 |
| 1UY W0045 03 | 38W W0045 00 | 3XP W0046 00 |
| 2VN W0046 00 | 38W W0045 01 | 3UH W0045 01 |
| 2VN W0046 01 | 3BN W0045 00 | |

Competitor X Ref

| SBS | Vesrah | Ferodo |
|-----|--------|--------|
| 575 | VD239 | FDB383 |

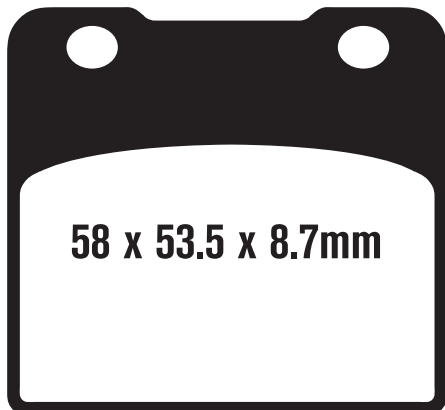
| | | |
|---------|--------|---------------------------|
| STD | FA101 | Black - Street |
| STD | FA101X | Red - Off Road |
| OPTIONS | FA101R | Sintered Off Road Utility |

Dealer Stocking Recommendation

| Single/Pair | Popularity # | Rec Stocking Level |
|-------------|------------------------------|--------------------------|
| 2 | FA101X - Y17 FA101R - Y21 | FA101X - 2 FA101R - 2 |

All part numbers, prefixes and suffixes shown in this catalog are unique and form a registered copyright as the property of EBC Brakes and its UK trademark owners

FA103



SUZUKI ROAD BIKE

| | | |
|--|-------|-------|
| VS 700 All models | 86-87 | F |
| VS 750 GLPJ/GLPK/GLPL/GLPM 'Intruder' | 88-91 | F |
| GSX-R 750 RG/G/H | 86-87 | F |
| VS 800 GLN/GLP/GLR/GLS/GLT/GLV/GLW/GLX/GLY/GLK1/GLK2 GLK3/GLK4 | 92-04 | F |
| VS 800 K5/K6/K7/K8/ZK8/K9 S50 Boulevard | 05-09 | F |
| GSX 1100 FJ/FK/FL/FM/FN/FP "Katana" | 88-93 | R |
| GSX-R 1100 G/H/J | 86-88 | F |
| GV 1400 GDG/GTG (up to frame no. 103764) | 86 | F & R |
| VS 1400 GLPH/GLFH/GLPJ/GLPL/GLPM/GLPN/GLPP/GLPR/GLPS /GLPT/GLPV/GLPW/GLPX/GLPY/GLPK1/GLPK2/GLPK3 Intruder | 87-03 | F & R |
| VS 1400 GLPK5/GLPK6/K7/K8/K9/ZK9/L0 Boulevard S83 (1400cc) | 05-10 | F & R |
| VL 1500 W/X/Y/K1 'Intruder Legendary Classic' | 98-01 | F & R |

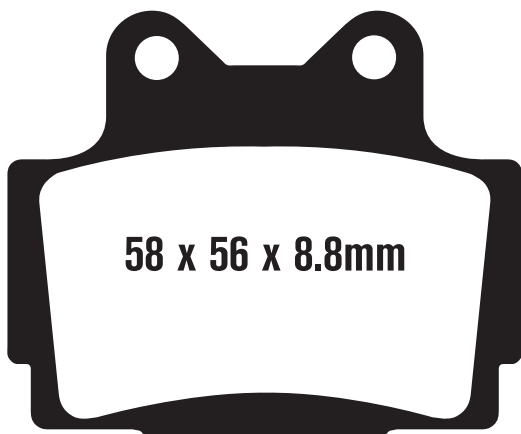
| Competitor X Ref | SBS 577 | Vesrah VD330/331/338 | Ferodo FDB389/R |
|------------------|------------|-------------------------|--------------------|
|------------------|------------|-------------------------|--------------------|

| Equivalents OE# | 59100 06820 | 59100 30820 | 59130 00810 | 59130 30B21 | 69130 48B00 |
|-----------------|-------------|-------------|-------------|-------------|-------------|
| | 59100 10810 | 59130 00A00 | 59130 24A00 | 69100 38810 | 69130 38820 |
| | 59100 20810 | 59130 00A10 | 59130 27A00 | 69100 38840 | 69130 48810 |
| | 59100 20820 | 59130 06B10 | 59130 27A10 | 69130 38B10 | |
| | 59100 30810 | 59130 06B20 | 59130 30B00 | 69130 38B00 | |

| | | |
|--------|---------|--------------------------|
| STD | FA103 | Black - Touring - Road |
| OPTION | FA103HH | Sintered HH Sport - Road |

| Dealer Stocking Recommendation | Single/Pair | Popularity # | Rec Stocking Level |
|--------------------------------|-------------|--------------|--------------------|
| | 2 | S3 | 10 |

FA104



YAMAHA ROAD BIKE

| | | |
|---|-------|-------|
| SRX 250 T/TC | 87 | F |
| FZR 400 U/SUC/W/SWC | 88-89 | R |
| FZR 400 A/RRSP/RR | 90-92 | R |
| RZ 500 | 84-86 | R |
| FZ 600 S/SC/T/TC/U/UC | 86-88 | R |
| SRX 600 S/SC | 86 | F & R |
| XJ 600 S Seca II SD/SDC/SE/SEC/EF/SFC /SG/SGC/SH/SHC/SJ/SJC/SK/SKC | 92-98 | R |

| Equivalents OE# | 1KT W0046 50 | 51L W0046 00 |
|-----------------|--------------|--------------|
| | 1KT W0046 51 | 51L W0046 01 |
| | 1KT W0046 52 | 51L W0046 02 |
| | 3TJ W0046 00 | |

| Competitor X Ref | SBS 570 | Vesrah VD240 | Ferodo FDB386/R |
|------------------|------------|-----------------|--------------------|
|------------------|------------|-----------------|--------------------|

| | | |
|---------|---------|--------------------------|
| STD | FA104 | Black - Touring - Road |
| OPTIONS | FA104HH | Sintered HH Sport - Road |

| Dealer Stocking Recommendation | Single/Pair | Popularity # | Rec Stocking Level |
|--------------------------------|-------------|--------------|--------------------|
| | 1 | Y10 | 2 |

FA105



YAMAHA DIRT BIKE

| | | |
|----------------|-------|---|
| YZ 125 N/S/T/U | 85-88 | F |
| IT 200 S | 86 | F |
| YZ 250 N/S/T/U | 85-88 | F |
| TT 350 S/T | 86-87 | F |
| YZ 490 N/S/T | 85-87 | F |
| YZ 490 U/W | 88-89 | F |

Competitor X Ref

| | | |
|-------------------|------------------------|-------------------------|
| SBS 580 | Vesrah VD241 | Ferodo FDB411 |
|-------------------|------------------------|-------------------------|

Equivalents OE#

| | |
|--------------|--------------|
| 56A W0046 00 | 2HH W0045 01 |
| 1LX W0045 00 | |
| 1LN W0045 01 | |
| 2HH W0045 00 | |

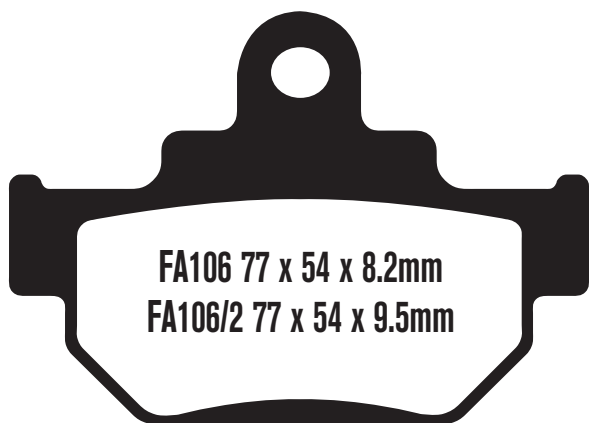
| | | |
|----------------|---------------|--------------------------|
| STD | FA105X | Red - Off Road |
| OPTIONS | FA105R | Sintered HH Road Utility |

Dealer Stocking Recommendation

| | | |
|--------------------|---------------------|---------------------------|
| <u>Single/Pair</u> | <u>Popularity #</u> | <u>Rec Stocking Level</u> |
| 1 | Y27 | 1 |

FA106 FA106/2

DO NOT REFIT ORIGINAL SHIM ON BACK OF PAD



FA106

SUZUKI DIRT BIKE

| | | |
|----------------|-------|---|
| RM 125 F/G | 85-86 | F |
| RM 250 F/G | 85-86 | F |
| TU 250 X/K9/L1 | 09-11 | F |

SUZUKI ROAD BIKE

| | | |
|--|-------------|---|
| GZ 250 X/Y/K1/K2/K3/K4/K5/K6/K7/K8 Marauder | 99-09 | F |
| TU 650 XK9 | 09 | F |
| LS 650 FG/PG/PH/FH/PJ/PS/PT/PV/PW/PX /PY/PK1/PK2/PK3/PK4 Savage | 86-88/95-04 | F |
| LS 650 K5/K6/K7/K8/K9/L1 Boulevard S40 (650cc) | 05-11 | F |

FA106/2X

SUZUKI DIRT BIKE

| | | |
|----------|-------|---|
| SP 600 F | 85-87 | F |
|----------|-------|---|

MAICO/M-STAR

| | | |
|-----------------|--|-----|
| Most '86 models | | F&R |
|-----------------|--|-----|

Equivalents OE#

- FA106

| |
|-------------|
| 59300 14840 |
| 59300 24830 |
| 59340 14600 |
| 59340 24B00 |
| 59340 24B10 |

Equivalents OE#

- FA106/2

| |
|-------------|
| 59300 14830 |
| 59340 14500 |
| 59340 14501 |
| 59340 14510 |

NOTE: As stocks of FA106X sell through, EBC will only offer an FA106 design in 8.2mm thickness as this is purely a road bike.

Competitor X Ref

| | | |
|--|---|-----------------------------|
| SBS 581=FA106 582=FA106/2 | Vesrah VD329 = 106 VD329/2 = 106/2 | Ferodo FDB404/673 |
|--|---|-----------------------------|

| | | |
|----------------|-----------------|---------------------------|
| STD | FA106 | Black - Touring - Road |
| OPTIONS | FA106R | Sintered Off Road |
| STD | FA106/2X | Red Off Road |
| OPTIONS | FA106/2R | Sintered Off Road Utility |

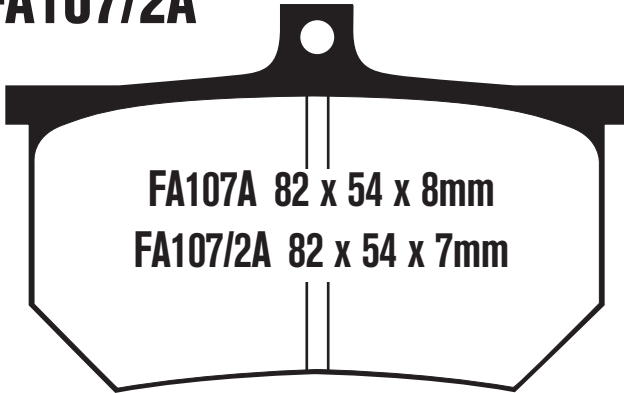
Dealer Stocking Recommendation

| | | |
|--------------------|---------------------|---------------------------|
| <u>Single/Pair</u> | <u>Popularity #</u> | <u>Rec Stocking Level</u> |
| 1 | - | 1 |

All part numbers, prefixes and suffixes shown in this catalog are unique and form a registered copyright as the property of EBC Brakes and its UK trademark owners

FA107A

FA107/2A



FA107A - LOCKHEED 4 PISTON CALIPER
Check thickness of pad required.
CP3369/4484
FA107/2A - LOCKHEED 4 PISTON CALIPER
Check thickness of pad required.
CP4485

Competitor X Ref

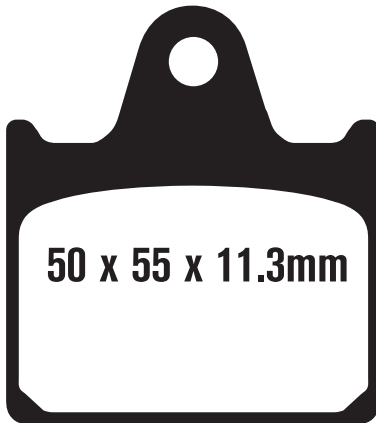
| SBS | Vesrah | Ferodo |
|-----|--------|--------|
| 661 | - | FRP410 |

Dealer Stocking Recommendation

| Single/Pair | Popularity # | Rec Stocking Level |
|-------------|--------------|--------------------|
| | - | |

| | | |
|---------|-----------|------------|
| STD | GFA107A | Green Race |
| OPTIONS | GFA107/2A | Green Race |

FA109



HONDA ROAD BIKE
VF 1000 R

85-86 R

Competitor X Ref

| SBS | Vesrah | Ferodo |
|-----|--------|--------|
| 573 | VD140 | - |

Equivalents OE#

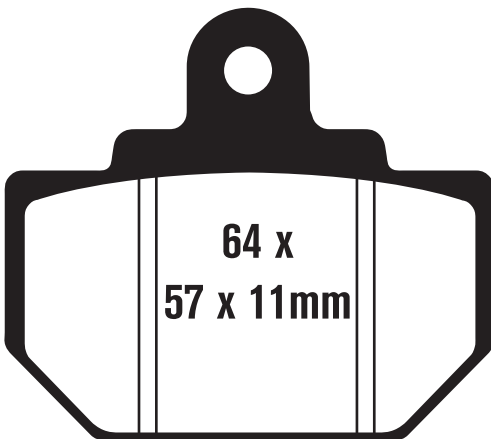
| |
|---------------|
| 43105 MJ4 007 |
| 43105 MJ4 008 |

Dealer Stocking Recommendation

| Single/Pair | Popularity # | Rec Stocking Level |
|-------------|--------------|--------------------|
| 1 | - | 1 |

| | | |
|-----|-------|------------------------|
| STD | FA109 | Black - Touring - Road |
|-----|-------|------------------------|

FA111



HONDA ATV
FL 350 R 'Odyssey'
FL 400 R Pilot

85-87 R
89-90 R

Competitor X Ref

| SBS | Vesrah | Ferodo |
|-----|--------|--------|
| 610 | VD138 | - |

Equivalents OE#

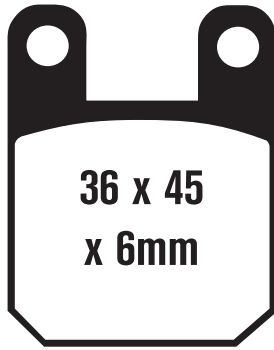
| | |
|---------------|---------------|
| 43105 HE0 305 | 431A0 HE0 670 |
| 43105 VM0 008 | 431A0 VMO 008 |
| 43105 VM0 771 | 06435 VMO 405 |

Dealer Stocking Recommendation

| Single/Pair | Popularity # | Rec Stocking Level |
|-------------|--------------|--------------------|
| 1 | H36 | 1 |

| | | |
|---------|--------|---------------------------|
| STD | FA111X | Black - Off Road |
| OPTIONS | FA111R | Sintered Off Road Utility |

FA115



**36 x 45
x 6mm**

Equivalents OE#

| | |
|---------------|-----------|
| 8113181 | 252-0002A |
| 510 015 4 282 | 61340051A |
| 4AJ W0045 00 | |

Competitor X Ref

| | | |
|-------------------|------------------------|-------------------------|
| SBS 559 | Vesrah VD946 | Ferodo FRP405 |
|-------------------|------------------------|-------------------------|

| | | | | | | | | |
|--|-------|-------|--|-------|-------|---|-------|-------|
| ATK 560 | 87-88 | R | Pampera 125/250/370 TX 200/270/320 | 96-97 | F & R | Elyseo 50 | 02-05 | F |
| BETA Eikon 50 Team | 02-03 | F & R | Contact JT25 (238cc) | 98 | F & R | Elyseo 50 | 03-05 | F & R |
| RR 50 Motard | 06 | R | Pampera 250/320 | 93-94 | F & R | Elyseo 100 | 03-05 | F & R |
| Evo 80 Junior | 09-10 | F & R | HUSQVARNA Husky Boy 50 J/S/R | 98-99 | F & R | Elystar 50 P | 03-05 | F |
| Synt/Gara | 93-96 | F | SM 50 | 01-02 | F | Jet Force 50 | 03-05 | F & R |
| 125 TR 34/35 | 89-90 | F & R | WR 50 | 02 | R | XR 6 50cc | 03-05 | R |
| 260 TR 34/35/Zero | 89-92 | F | WRS 50 Scooter | 02 | R | Speedfight X-Race 50 | | |
| Rev 50/80 | 02-06 | F & R | ITALJET Dragster 50 LC | 02 | R | LNDP LC/100 NP AC | 03-05 | F & R |
| Alp 200 4T | 00-06 | F & R | Formula 50 (Air Cooled) | 99-00 | F | Ludix 50 (10" wheels) | 04-05 | F |
| CPI Enduro 50 | 06-08 | F & R | Formula 50 (Liquid Cooled) | 98-03 | F & R | Ludix 50 (14" wheels) | 04-05 | F |
| Enduro 250 | 07-08 | F & R | Torpedo 50 | 99-03 | F | Ludix 125 | 04-05 | F |
| DERBI Atlantis 50 | 02-05 | F | Formula 125 LC | 96-03 | F & R | SCORPA TY-S 125 | 04-09 | F |
| GP1 50 | 02-06 | F | Torpedo 125 LC | 98-03 | F | SY-125 F | 05-09 | F |
| Predator | 99-01 | F & R | Torpedo 125 4T | 96-03 | F & R | SY-175 F | 05-08 | F |
| Senda R 50 | 02-05 | F & R | Torpedo 150 | 99-03 | F | TY-S 175 F | 06-08 | F |
| GRP 50 Nude | 04-05 | R | KTM 60 SX | 03 | F | T-Ride 250 F | 06-08 | R |
| GPR 50 Replica | 03-05 | R | 65 SX | 98-99 | F | SHERCO DIRT 0.5/0.8/1.25/2.0 | 03-10 | F & R |
| GRP 80 Cup | 05 | R | MAICO/M-STAR Disc models | 00-01 | F | AFTERMARKET CALIPERS Iron Pegasus (Small) | | |
| Senda Supermoto | 04-05 | F & R | MONTESA 314 R | 89-96 | F & R | GMA Model F 4 Piston | | |
| GPR 125/Nude (Radial Caliper) | 05-06 | R | 315 R | 94-96 | F | Performance Machines 125 X 4S | | |
| Atlantis Bullet/City | 02-05 | F | PEUGEOT Speedfight 2 Torero 50 | 97-00 | F | Performance Machines 125 X 4SL | | |
| DUCATI (549cc) Supermoto | 93-95 | R | Vivacity X-Race 50/Pulsa 50 | 02-05 | F | Jaybrake Dual & Quad (300-04) (2 & 4 piston type) | | |
| GAS-GAS EC 50 Boy (Air Cooled) | 05 | F | Metal-X | 02-05 | F | UM (UNITED MOTORS) DSF 200 | 06-08 | R |
| TXT 50 (Boy) | 04-11 | F & R | Trekker 50 | 02-05 | F | DTF 200 | 06-08 | R |
| MC 65 | 05-06 | R | Looxor 50 | 02-05 | F | SMF 200 | 08 | R |
| JTX 125/200/270/320 | 95-98 | F & R | Looxor 100 | 02-05 | F & R | | | |

| | | |
|------------|----------------|---------------------------|
| STD | FA115 | Black Road |
| | FA115X | Red - Off Road |
| | FA115R | Sintered Off Road Utility |
| | FA115HH | Sintered HH Sport Road |
| | MXS115 | Sintered Off Road Sport |

Dealer Stocking Recommendation

| | | |
|-------------------------|--------------------------|--------------------------------|
| Single/Pair 1 | Popularity # - | Rec Stocking Level 1 |
|-------------------------|--------------------------|--------------------------------|

FA116



**31.5 x 57.2
x 5.5mm**

Competitor X Ref

| | | |
|-------------------|------------------------|-------------------------|
| SBS 607 | Vesrah VD937 | Ferodo FDB697 |
|-------------------|------------------------|-------------------------|

Equivalents OE#

| |
|-------------|
| 119 419 000 |
| 119 468 000 |

Dealer Stocking Recommendation

| | | |
|-------------------------|--------------------------|--------------------------------|
| Single/Pair 1 | Popularity # - | Rec Stocking Level 1 |
|-------------------------|--------------------------|--------------------------------|

| | | |
|------------|---------------|------------------|
| STD | FA116X | Black - Off Road |
|------------|---------------|------------------|

All part numbers, prefixes and suffixes shown in this catalog are unique and form a registered copyright as the property of EBC Brakes and its UK trademark owners

FA119



82.6 x 21.8 x 7.1mm

YAMAHA DIRT BIKE

YZ 80 S/T/U/W/A/B/D/E/F/G/H/J/K/L/M/N 86-01 F
 YZ 85 P/R/S/T/V/W/X/Y/Z 02-10 F
 TT-R 125 LWM/LN/LP/LER/LR/LES/LS/LET/LT /LEV/LV/LW/LEW/LX/LEX/LEY/LEA 00-09/11 F

Competitor X Ref

| | | |
|-------------------|------------------------|-------------------------|
| SBS 589 | Vesrah VD244 | Ferodo FDB453 |
|-------------------|------------------------|-------------------------|

Equivalents OE#

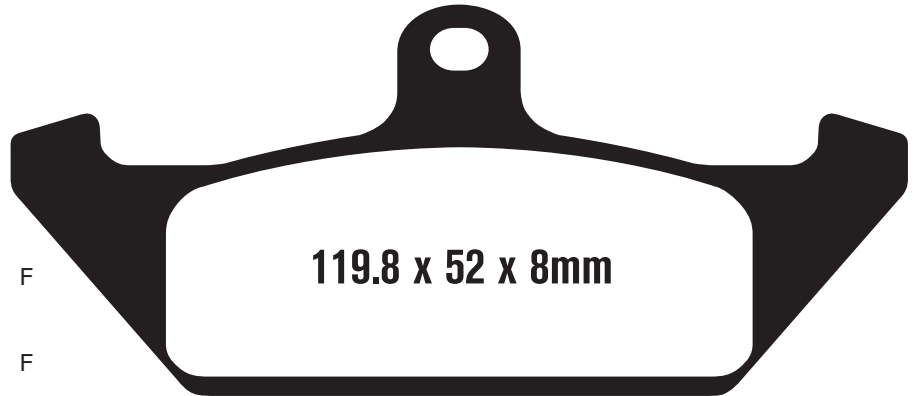
| | | |
|--------------|--------------|--------------|
| 1LR W0046 00 | 2HF W0046 02 | 4ES W0045 00 |
| 2HF W0046 00 | 3UN W0045 00 | 5PA W0045 00 |

| | | |
|------------|---------------|---------------------------|
| STD | FA119X | Red - Off Road |
| | FA119R | Sintered Off Road Utility |

Dealer Stocking Recommendation

| | | |
|-------------------------|---|-------------------------------------|
| Single/Pair 1 | Popularity # FA119X - Y26 FA119R - Y32 | Rec Stocking Level 1 1 |
|-------------------------|---|-------------------------------------|

FA120



119.8 x 52 x 8mm

HUSQVARNA

Models with large Caliper use F

CAGIVA

Elefant 650 86-87 F

Competitor X Ref

| | | |
|-------------------|------------------------|-------------------------|
| SBS 594 | Vesrah VD924 | Ferodo FDB592 |
|-------------------|------------------------|-------------------------|

Equivalents OE#

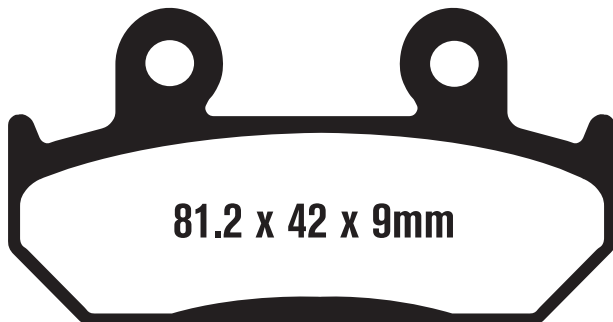
8000 45453

Dealer Stocking Recommendation

| | | |
|-------------------------|--------------------------|--------------------------------|
| Single/Pair 1 | Popularity # - | Rec Stocking Level 1 |
|-------------------------|--------------------------|--------------------------------|

| | | |
|------------|---------------|------------------|
| STD | FA120X | Black - Off Road |
|------------|---------------|------------------|

FA121



81.2 x 42 x 9mm

HONDA ROAD BIKE

CBR 600 F 'Hurricane' 87-90 F

SAME AS FA203 EXCEPT REDUCED THICKNESS

Competitor X Ref

| | | |
|-------------------|----------------------------|--------------------------|
| SBS 593 | Vesrah VD141/142 | Ferodo FDB 462 |
|-------------------|----------------------------|--------------------------|

Equivalents OE#

| | | | |
|---------------|---------------|---------------|---------------|
| 45105 KT7 751 | 45105 ML4 004 | 45105 ML4 024 | 45105 MN4 008 |
| 45105 KT7 761 | 45105 ML4 006 | 45105 ML7 017 | |
| 45105 KT8 004 | 45105 ML4 008 | 45105 ML0 007 | |
| 45105 ML4 000 | 45105 ML4 014 | 45105 MN4 007 | |

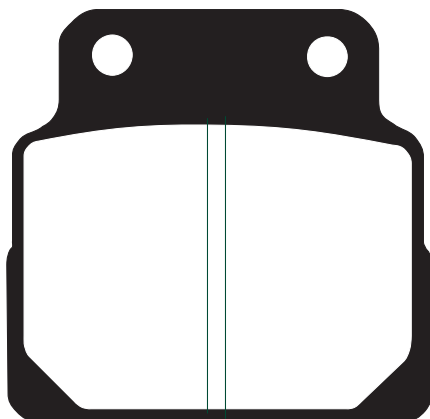
Dealer Stocking Recommendation

| | | |
|-------------------------|----------------------------|--------------------------------|
| Single/Pair 2 | Popularity # H12 | Rec Stocking Level 2 |
|-------------------------|----------------------------|--------------------------------|

| | | |
|---------------|----------------|--------------------------|
| STD | FA121 | Black - Touring - Road |
| OPTION | FA121HH | Sintered HH Sport - Road |

All part numbers, prefixes and suffixes shown in this catalog are unique and form a registered copyright as the property of EBC Brakes and its UK trademark owners

FA122



HONDA STREET BIKE
CB 450 DX-K

89-92 F & R

Equivalents OE# 43105 KK9 691

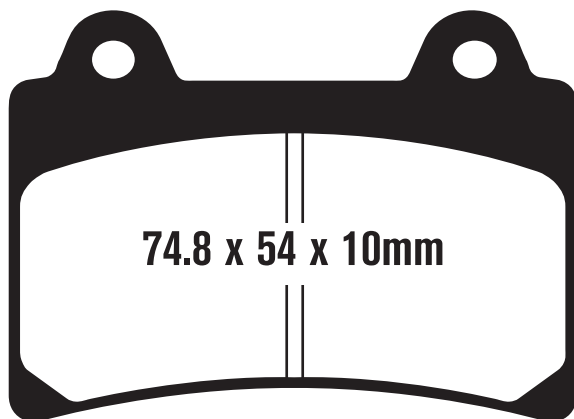
Competitor X Ref

| SBS | Vesrah | Ferodo |
|-----|--------|--------|
| 598 | - | VD-146 |

| Dealer Stocking Recommendation | Single/Pair | Popularity # | Rec Stocking Level |
|--------------------------------|-------------|--------------|--------------------|
| | 1 | H29 | 1 |

STD FA122 Black Road

FA123



YAMAHA ROAD BIKE

| | | |
|---|----------|-------|
| FZR 400 A | 90 | F |
| FZR 750 Genesis RU/RT | 87-88 | F |
| TDM 850 D/DC/E/EC | 92-93 | F |
| FZR 1000 Genesis T/TC/U/UC | 87-88 | F |
| FZR 1000 W/WC Genesis | 89 | F |
| FJ 1200 W/WC | 89-90 | F |
| FJ 1200 A/AC/B/BC/D/DC | 90-92 | F |
| XVZ 13 D Series 'Venture Royale | 86-93 | F & R |
| XVZ 1300 T/TC/U/UC Venture | 87-88 | F & R |
| XVZ 13 'Royal Star' All models | 96-01 | F & R |
| XVZ 1300 TF Royal Star Midnight Venture | 02-07 | R |
| XVZ 1300 Royal Star Tour Deluxe | 06-08 | R |
| XVZ 1300 Royal Star Midnight Tour Deluxe | 06-10 | R |
| XVZ 1300 Royal Star Boulevard | 99-00 | F & R |
| XVZ 1300 Royal Star Tour Deluxe | 97-01 | F & R |
| XVZ 1300 Royal Star Tour Deluxe | 05-07 | R |
| XVZ 1300 LTK Venture | 96-98 | F & R |
| XVZ 1300 Venture MM Limited Edition | 01 | R |
| XVZ 1300 Royal Star | 96-97/00 | F & R |
| XVZ 1300 Royal Star Boulevard | 99-01 | F & R |
| XVZ 1300 Royal Star Midnight Venture | 02-07 | R |
| XVZ 1300 Royal Star Standard | 98 | F & R |
| XVZ 1300 Royal Star Tour Classic | 96-00 | F & R |
| XVZ 1300 Royal Star Venture S | 08/10-11 | R |
| XVZ 1300 Royal Star Venture | 99-07 | R |
| XV 1300 Royal Star Midnight Tour Deluxe | 06-07 | R |
| XV 1600 Road Star/Midnight Star | 99-02 | R |
| XV 1600 Road Star | 01-05 | R |
| XV 1600 Road Star Silverado | 07-09 | R |
| XV 1600 Road Star Midnight | 03 | R |
| XV 1600 Midnight Star | 02-03 | R |
| XV 1700 Road Star Midnight | 04-07 | R |
| XV 1700 Road Star S | 04-11 | R |
| XV 1700 Road Star Midnight Silverado | 04-07 | R |
| XV 1700 Road Star Silverado S | 04-11 | R |
| XV 1700 Road Star | 05-09 | R |
| XV 1700 X/Y Road Star Silverado | 08-09 | R |
| XV 1700 Road Star Silverado S (Cast wheel) | 08-11 | R |
| XV 1700 Road Star (Spoke wheel) | 06 | R |
| XV 1700 Road Star (Cast wheel) | 04/07-10 | R |
| XV 1700 Road Star Midnight (Cast wheel) | 04-07 | R |
| XV 1700 Road Star Midnight Silverado (Cast wheel) | 04-07 | R |
| XV 1700 Road Star S (Cast wheel) | 08-11 | R |

Competitor X Ref

| SBS | Vesrah | Ferodo |
|-----|---------|--------|
| 590 | VD242/2 | FDB662 |

Equivalents OE#

| | | |
|--------------|--------------|--------------|
| 1NL W0045 00 | 1RK W0045 50 | 2GH W0045 01 |
| 1NL W0045 01 | 1RK W0046 00 | 3EN W0045 00 |
| 1RK W0045 00 | 2GH W0045 00 | 4KG W0045 00 |

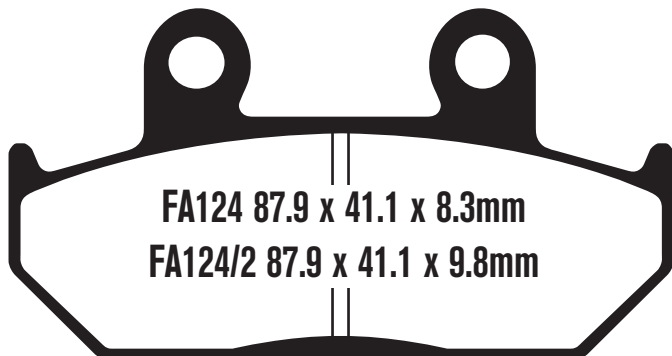
| | | |
|---------------|----------------|---------------------------------|
| STD | FA123 | Black - Touring - Road |
| OPTION | FA123HH | Sintered HH Sport - Road |

| Dealer Stocking Recommendation | Single/Pair | Popularity # | Rec Stocking Level |
|--------------------------------|-------------|--------------|--------------------|
| | 2 | Y9 | 4 |

All part numbers, prefixes and suffixes shown in this catalog are unique and form a registered copyright as the property of EBC Brakes and its UK trademark owners

FA124

FA124/2



FA124

HONDA ROAD BIKE

| | | |
|----------------------------|-------|---|
| RS 125 | 88-89 | F |
| RS 250 | 88-89 | F |
| VFR 700 F/F2 'Interceptor' | 86-87 | F |
| VFR 750 F 'Interceptor' | 86 | F |
| CBR 1000 F (Hurricane) | 87-88 | F |

FA124/2

HONDA ROAD BIKE

| | | |
|---------------------------------|-------|---|
| CB 125 TT | 90 | F |
| VTR 250 Interceptor | 90 | F |
| VLX 600 Shadow (VT 600 C/CD) | 88-93 | F |
| GL 1500 Goldwing All models | 88-00 | F |

HONDA DIRT BIKE

| | | |
|--------|-------|---|
| NX 650 | 88-89 | F |
|--------|-------|---|

Competitor X Ref

| | | |
|-------------------|---|---|
| SBS 600 | Vesrah VD143 = 124 VD143/2 = | 124/2 Ferodo FDB452/R/663 |
|-------------------|---|---|

Equivalents OE#

FA124

| | |
|---------------|---------------|
| 45105 ML7 006 | 45105 MM5 008 |
| 45105 ML7 007 | 45105 MS6 901 |
| 45105 MM5 007 | 45105 NF4 000 |

Equivalents OE# FA124/2

| | | |
|---------------|---------------|---------------|
| 06455 MT8 405 | 45105 MN9 008 | 45105 MT8 008 |
| 06455 MS8 405 | 45105 MR1 671 | 45106 MW3 671 |
| 45105 KVO 701 | 45105 MS8 008 | 69100 10840 |
| 45105 MN5 008 | 45105 MT2 007 | |
| 45105 MN5 018 | 45105 MT2 008 | |

| | | |
|----------------|------------------|--------------------------|
| STD | FA124 | Black - Touring - Road |
| OPTIONS | FA124HH | Sintered HH Sport - Road |
| STD | FA124/2 | Black - Touring - Road |
| OPTIONS | FA124/2HH | Sintered HH Sport - Road |

Dealer Stocking Recommendation

| Single/Pair | Popularity # | Rec Stocking Level |
|-------------|------------------------------|--------------------------|
| 2 | FA124 - H21 FA124/2 - H13 | FA124 - 2 FA124/2 - 2 |

FA125



HONDA DIRT BIKE

| | | |
|-------------------|-------|---|
| CR 125 R | 87-94 | F |
| CR 250 R | 87-94 | F |
| XR 250 L | 91-92 | F |
| XR 250 R Pro Link | 88-95 | F |
| CR 500 R | 87-94 | F |
| XR 600 R | 88-92 | F |

HONDA ATV

| | | |
|------------|-------|---|
| TRX 250 R | 86-89 | F |
| ATC* 350 X | 86 | F |

* - ATC is a Registered Trademark of Honda Motor Corporation

Equivalents OE#

| | |
|----------------|----------------|
| 45105 HA5 671A | 45106 HA5 671B |
| 45105 HA5 672A | 45106 KS6 701A |
| 45105 HA5 672B | 45106 KS6 701B |
| 45105 KS6 831A | 45106 KS6 831B |
| 45105 KTO 405 | |
| 45105 KZ1 405 | |

ALSO SEE FA185 FOR OVERSIZE PAD

Competitor X Ref

| | | |
|-------------------|------------------------|-------------------------|
| SBS 603 | Vesrah VD139 | Ferodo FDB495 |
|-------------------|------------------------|-------------------------|

| | | |
|----------------|---------------|---------------------------|
| STD | FA125X | Red - Off Road |
| OPTIONS | FA125R | Sintered Off Road Utility |
| | MXS125 | Sintered Off Road Race |

Dealer Stocking Recommendation

| Single/Pair | Popularity # | Rec Stocking Level |
|-------------|------------------------------|--------------------------|
| 1 | FA125X - H18 FA125R - H13 | FA125X - 2 FA125R - 2 |

FA126



67.5 x 51 x 7mm

MOTO GUZZI

Quota 1000 92-97 F

ATK

560 & other models 89-91 F

All Models 92 F

KTM

MX/EXC 250 87 F & R

MX/EXC 350 87 F & R

MZ

Skorpion Tour/Traveller 95-02 F

Competitor X Ref

| | | |
|-------------------|------------------------|-------------------------|
| SBS 601 | Vesrah VD943 | Ferodo FDB498 |
|-------------------|------------------------|-------------------------|

Equivalents OE#

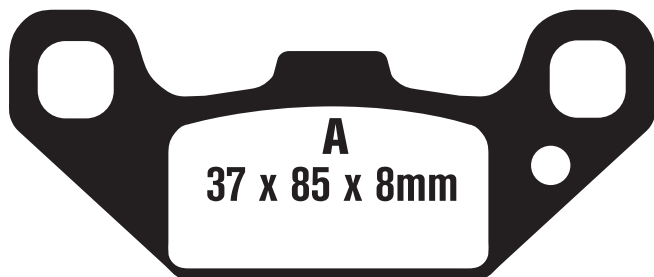
000 306 5430310

| | | |
|----------------|----------------|---------------------------|
| STD | FA126 | Black - Off Road |
| OPTIONS | FA126R | Sintered Off Road Utility |
| OPTIONS | FA126HH | Sintered Sports - Road |

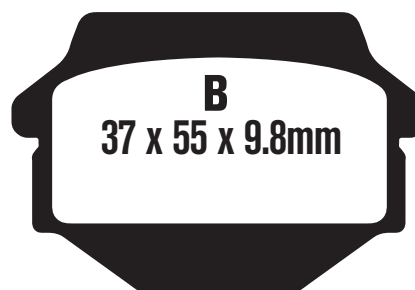
Dealer Stocking Recommendation

| | | |
|-------------------------|--------------------------|--------------------------------|
| Single/Pair 1 | Popularity # - | Rec Stocking Level 1 |
|-------------------------|--------------------------|--------------------------------|

FA128



A
37 x 85 x 8mm



B
37 x 55 x 9.8mm

KAWASAKI ATV

KSF 250 A1/A2/A3/A4/A5/A6/A7/A8/A9/A10

/A11-A18 'Mojave' 87-03 F

KXF 250 A1/A2 Tecate 87-88 F

KEF 300 A1/A2/A3/A4/A5/A6 Lakota 95-00 F

KEF 300 B1/B2/B3 Lakota Sport 01-03 F

SUZUKI ATV

LT 230 SF/SG/SH/SJ 85-88 F

LT 230 EH/EJ/EK/EL/EM/EN/EP 86-93 F

LT 250 SK/SL 89-90 F

LT 250 RF/RG 85-86 F

LT 250 RH/RJ/RK/RL/RM/RN 87-92 F

LT 500 RH/RJ/RK/RL 87-90 F

MUST FIT IN COMPLETE FRONT AXLE SETS (2 PAIRS)

Competitor X Ref

| | | |
|-------------------|------------------------|--------------------------|
| SBS 591 | Vesrah VD332 | Ferodo FDB2013 |
|-------------------|------------------------|--------------------------|

Equivalents OE#

43082 1067
59100 43810
59300 03840

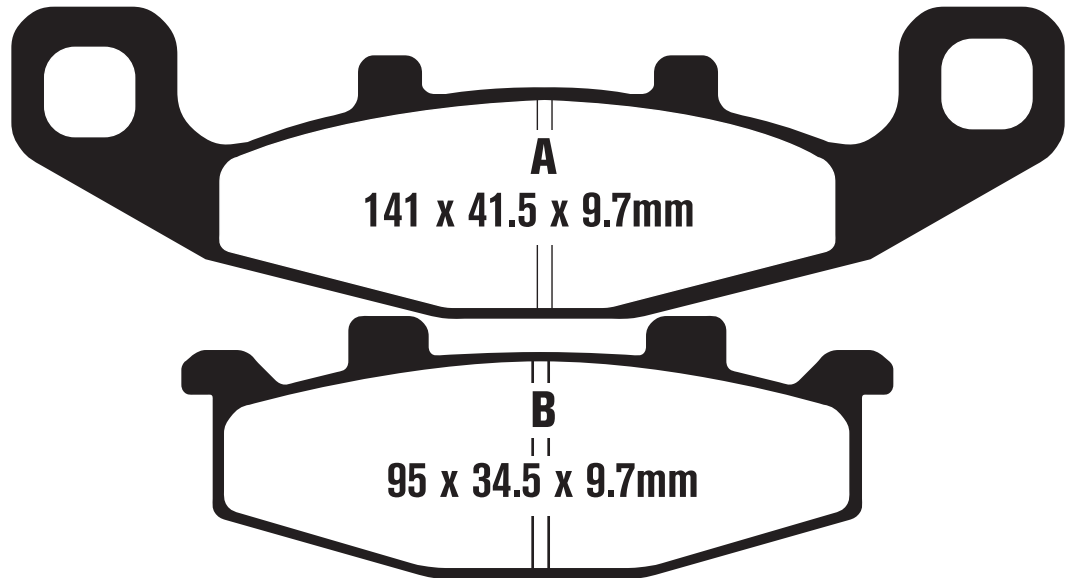
| | | |
|----------------|----------------|---------------------------|
| STD | FA128X | Red - Off Road |
| OPTIONS | FA128R | Sintered Off Road Utility |
| OPTIONS | FA128SV | Sintered ATV Severe Duty |

Dealer Stocking Recommendation

| | | |
|-------------------------|--------------------------------|--------------------------------|
| Single/Pair 2 | Popularity # K18/S19 | Rec Stocking Level 2 |
|-------------------------|--------------------------------|--------------------------------|

All part numbers, prefixes and suffixes shown in this catalog are unique and form a registered copyright as the property of EBC Brakes and its UK trademark owners

FA129



KAWASAKI ROAD BIKE

| | | |
|-------------------------------------|-------|-------|
| EX 250 F2-F19/D6F/D7F Ninja 250 | 88-07 | F |
| EX 500 A1-A7/D1-D12/D6F/D7F/D8F/D9F | 87-09 | F |
| ZR 550 B1/B2/B3/B4 Zephyr | 90-93 | F |
| ZL 600 B2/B3 Eliminator | 96-97 | F |
| ZX 600 C1-C9 Ninja 600R | 88-96 | F & R |
| ZX 600 D1/D2/D3/D4(ZX6) | 90-93 | R |
| ZR 750 C1/C2/C3 Zephyr | 91-93 | F & R |
| ZX 750 F1/F2/F3/F4 Ninja | 87-90 | F & R |
| ZG 1000 A9-A20 Concours | 94-05 | F |
| ZG 1000 A6F Concours | 06 | F |
| ZX 1000 B1/B2/B3 Ninja (ZX10) | 88-90 | F & R |
| ZX 1100 C1-C4 ZX11 Ninja | 90-93 | R |
| ZR 1100 A1/A2/A3/A4 Zephyr | 92-95 | R |
| ZR 1100 B1 Zephyr | 96 | R |

KAWASAKI DIRT BIKE

| | | |
|---------------------|-------|---|
| KL 650 B2/B3 Tengai | 90-91 | F |
|---------------------|-------|---|

SUZUKI ROAD BIKE

| | | |
|-----------------------------|-------|---|
| GSF 400 M/N/P Bandit | 91-93 | F |
| GS 500 EK/EL/EM/EN/EP/ER/ES | 89-95 | F |
| VX 800 L/M/N/P | 90-93 | F |
| GSX 1100 GM/GN/GP | 91-93 | F |

Competitor X Ref

| SBS | Vesrah | Ferodo |
|-----|--------|----------|
| 597 | VD427 | FDB481/R |

Equivalents OE#

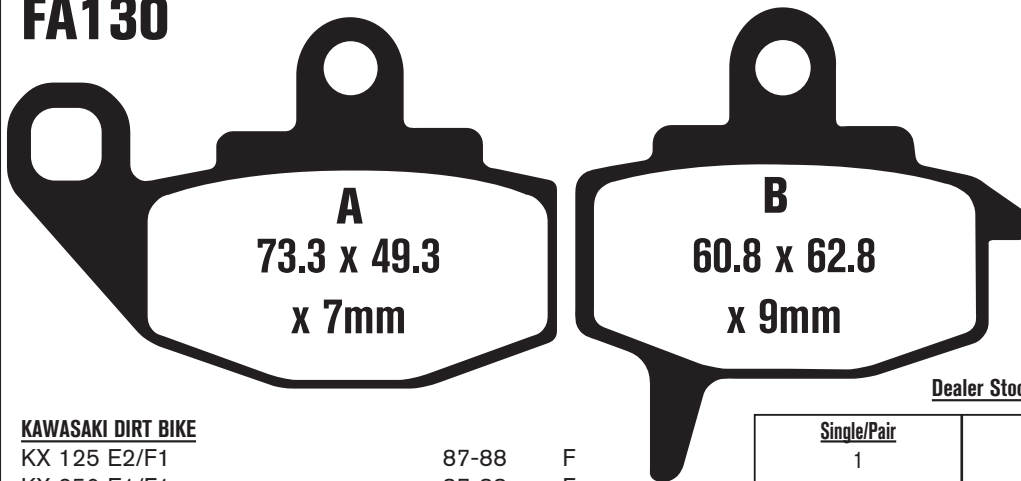
| | | | | |
|------------|------------|------------|-------------|-------------|
| 43082 1068 | 43082 1095 | 43082 1124 | 43082 1189 | 59301 45860 |
| 43082 1069 | 43082 1104 | 43082 1134 | 43082 1145 | |
| 43082 1074 | 43082 1114 | 43082 1139 | 59100 01820 | |
| 43082 1088 | 43082 1123 | 43082 1161 | 59100 26810 | |

| | | |
|----------------|------------------|---------------------------|
| STD | FA129 | Black - Touring - Road |
| OPTIONS | FA129HH | Sintered HH Sport - Road |
| OPTIONS | FA129R | Sintered Off Road Utility |
| OPTIONS | EPFA129HH | Sintered HH Race |

Dealer Stocking Recommendation

| Single/Pair | Popularity # | Rec Stocking Level |
|-------------|--------------|--------------------|
| 2 | K2/S8 | 10 |

FA130



Equivalents OE#

| |
|------------|
| 43082 1072 |
| 43082 1078 |
| 43082 1078 |

Competitor X Ref

| SBS | Vesrah | Ferodo |
|-----|--------|--------|
| 602 | VD428 | FDB494 |

Dealer Stocking Recommendation

| Single/Pair | Popularity # | Rec Stocking Level |
|-------------|--------------|--------------------|
| 1 | K22 | 2 |

KAWASAKI DIRT BIKE

| | | |
|-----------------------------|-------|---|
| KX 125 E2/F1 | 87-88 | F |
| KX 250 E1/F1 | 87-88 | F |
| KX 500 C1/D1 | 87-88 | F |
| KL 650 A1-A19/A6F/A7F (KLR) | 87-07 | F |

| | | |
|----------------|----------------|---------------------------|
| STD | FA130X | Black - Off Road |
| OPTIONS | FA130HH | Sintered Off Road Utility |

FA131



HONDA DIRT BIKE

| | | |
|---------------------|-------|---|
| CR 80 R/RB Expert | 92-02 | R |
| CR 85 R/85 R Expert | 03-07 | R |
| CR 125 R | 87-01 | R |
| CRF 230 L | 08-11 | R |
| CRF 230 M | 09-11 | R |
| CR 250 R | 87-01 | R |
| XR 250 R | 90-04 | R |
| XR 250 L | 91-96 | R |
| XR 400 R | 96-04 | R |
| CR 500 R | 87-01 | R |
| XR 600 R | 91-00 | R |
| XR 650 L | 93-11 | R |
| XR 650 R | 00-07 | R |

HONDA STREET BIKE

| | | |
|---------------------------|----|---|
| Dream 50 R (CB 50) (AR02) | 04 | R |
| NSR 50 R (RS 50) | 04 | R |
| NSF 100 R | 06 | R |

KAWASAKI DIRT BIKE

| | | |
|--|-------|---|
| KX 125 K2/K3/K4/K5/L1/L2/L3/L4/M1/M2/M3 | 95-05 | R |
| KLX 250 S (KLX 250 H6F/H7F) | 06-07 | R |
| KLX 250 S (KLX 250 T9F/WAF) | 09-10 | R |
| KLX 250 SF (KLX 250 W9F/TAF) Supermotard | 09-10 | R |
| KX 250 K2/K3/K4/K5/L1/L2/L3/L4/M1/M2/R1 | 95-05 | R |
| KX 250 R6F/R7F | 06 | R |
| KLX 300 R A2-A10/A6F/A7F | 97-06 | R |
| KLX 400 SR (KLX 400 A1/A2) | 03-04 | R |
| KLX 400 R (KLX 400 B1/B2) | 03-04 | R |
| KX 500 E8-E16 | 96-04 | R |
| KLX 650 R D1 | 96 | R |

SUZUKI DIRT BIKE

| | | |
|---|-------|---|
| RM 125 T/V/W/X/K1/K2/K3/K4/K5/K6/K7/K8 | 96-08 | R |
| RM 250 T/V/W/X/K1/K2/K3/K4/K5/K6/K7/K8 | 96-08 | R |
| RMX 250 X/Y | 99-00 | R |
| DR-Z 400 SY/SK1/SK2/SK3/SK4/SK5/SK6 | | |
| /SK7/SK8/SK9/SL1 | 00-11 | R |
| DR-Z 400 EY/Y/EK1/EK2/K3/EK3/K4/EK4/EK5/EK6/EK7 | 00-07 | R |
| DR-Z 400 SMK5/SMK6/SMK7/SMK8/SMK9 | 05-09 | R |

YAMAHA DIRT BIKE

| | | |
|------------------------|-------|---|
| YZ 125 K/L/M/N/P | 98-02 | R |
| WR 250 FN/FP | 01-02 | R |
| YZ 250 K/L/M/N/P/FN/FP | 98-02 | R |
| WR 400 FL/FM | 99-00 | R |
| YZ 400 FL | 99 | R |
| YZ 426 FM/FN/FP | 00-02 | R |
| WR 426 FN/FP | 01-02 | R |

ATK

| | | |
|----------------------------|-------|---|
| Motard 450 | 07 | R |
| T.M. | | |
| MX 85 JR (2T) | 04-08 | R |
| MX Models 125/250/300 | 02-08 | R |
| SMR 125 (2T) | 05-08 | R |
| MX 144 (2T) | 07-08 | R |
| MX 450 F | 04-08 | R |
| SMR 450 F ES (4T) | 05-08 | R |
| SMX 450 F Competition (4T) | 05-08 | R |
| MX 530 F (4T) | 04-08 | R |
| SMX 530 F Competition | 05-08 | R |
| SMR 530 F ES (4T) | 05-08 | R |
| SMX 660 F | 04 | R |
| EN 125 (2T) | 01-08 | R |
| EN 250 (2T) | 01-03 | R |
| EN 250 F-ES (4T) | 04-08 | R |
| EN 300 (2T) | 01-08 | R |
| EN 450 F-ES (4T) | 04-08 | R |
| EN 530 F-ES (4T) | 04-08 | R |

GAS-GAS

| | | |
|-----------------------|-------|---|
| Enduro EC 200/250/300 | 99-00 | R |
| EC 125/200/250/300 | 01-09 | R |
| MC 125 | 05 | R |
| MC 125/250 | 01-04 | R |
| Pampera 125/450 | 05-06 | R |
| SM 125/250 (2T) | 01-05 | R |
| MX 200/250/300 | 99-00 | R |
| SM 400 FSE (2T) | 01-02 | R |
| EC 450 | 09 | R |
| FSE 450 | 05-08 | R |
| SM 450 | 03-05 | R |
| EC 515 | 09 | R |

HUSQVARNA

| | | |
|---------|----|---|
| VXE 125 | 07 | R |
|---------|----|---|

Competitor X Ref

| | | |
|-------------------|------------------------|-------------------------|
| SBS 604 | Vesrah VD144 | Ferodo FDB539 |
|-------------------|------------------------|-------------------------|

Equivalents OE#

| | | | | |
|----------------|----------------|--------------|-------------|-------------|
| 06435 KCZ 000 | 43106 GT4 004B | 43082 S010 | 59100 09860 | 69100 36870 |
| 06435 GT4 405 | 43106 GW2 004B | 43082 S012 | 59100 09880 | 69100 37810 |
| 43080 0090 | 43106 KS6 701B | 5DH W0046 00 | 69100 36820 | 69100 37830 |
| 43105 GT4 004A | 43106 KS6 702B | 5GR W0046 00 | 69100 36830 | |
| 43105 GW2 004A | 43082 0006 | 5MV W0046 00 | 69100 36840 | |
| 43105 KS6 701A | 43082 1173 | 59100 09840 | 69100 36850 | |
| 43105 KS6 702A | 43082 1292 | 59100 09850 | 69100 36860 | |

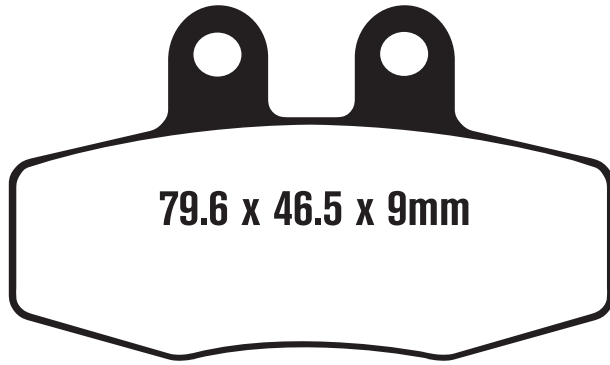
| | | |
|----------------|---------------|---------------------------|
| STD | FA131X | Red - Off Road |
| OPTIONS | FA131R | Sintered Off Road Utility |
| | MXS131 | Sintered Off Road Race |

Dealer Stocking Recommendation

| | | |
|--------------------|---------------------|---------------------------|
| Single/Pair | Popularity # | Rec Stocking Level |
| 1 | FA131R - H7/K13 | FA131R - 4 |
| 1 | FA131X - H4/K19 | FA131X - 4 |

All part numbers, prefixes and suffixes shown in this catalog are unique and form a registered copyright as the property of EBC Brakes and its UK trademark owners

FA132



KTM

| | | |
|---|-------|-------|
| D-XC/E-XC/E-GS 125 Grimeca caliper | 90-91 | F & R |
| D-XC/E-XC/E-GS 125 Grimeca caliper | 92-93 | F |
| EXC/MX 125 | 88 | F & R |
| EXC 125 Brembo caliper | 89 | F & R |
| MX 125 Grimeca caliper | 89-91 | F & R |
| MX 125 Grimeca caliper | 92-93 | F |
| DXC/EXC 250 Grimeca caliper | 90 | F & R |
| D-XC/E-XC/E-GS 250 | 91 | F & R |
| D-XC/E-XC/T-XC/E-GS 250 Grimeca caliper | 92-93 | F |
| EXC/EGS 250 | 88 | F & R |
| EXC/EGS 250 Grimeca caliper | 89 | F & R |
| MX 250 | 88-91 | F & R |
| DXC/EXC/EGS 350 Grimeca caliper | 90-91 | F & R |
| EXC 350 Grimeca caliper | 89 | F & R |
| MC/EXC/EGS 350 | 88 | F & R |
| MX 350 Grimeca caliper | 89-91 | F & R |
| LC-4 MX/EXC 500 | 89 | F & R |
| LC-4 MX/EXC 500 Grimeca Caliper | 90-91 | F & R |
| LC-4 MX/EXC 600 | 89 | F & R |
| LC4 MX/EXC 600 Grimeca caliper | 90-91 | F & R |
| LC4 EXC 600 | 92-93 | F |

| | | |
|------------------------|--------------|--------------|
| Equivalents OE# | 565 13209243 | 565 13209323 |
|------------------------|--------------|--------------|

Competitor X Ref

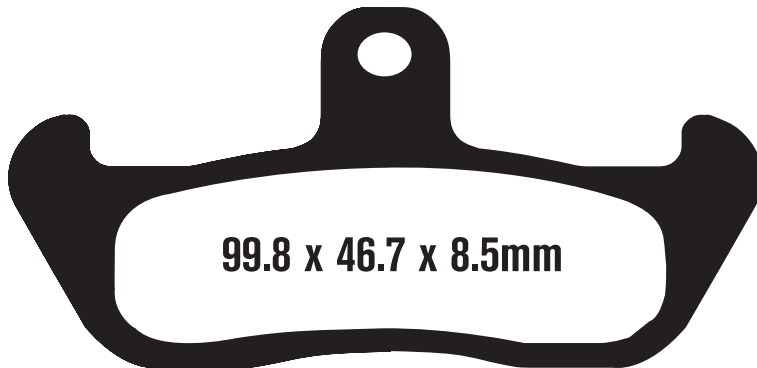
| | | |
|-------------------|------------------------|-------------------------|
| SBS 621 | Vesrah VD936 | Ferodo FDB561 |
|-------------------|------------------------|-------------------------|

| | | |
|----------------|---------------|---------------------------|
| STD | FA132X | Black - Off Road |
| OPTIONS | FA132R | Sintered Off Road Utility |

Dealer Stocking Recommendation

| | | |
|--------------------|---------------------|---------------------------|
| Single/Pair | Popularity # | Rec Stocking Level |
| 1 | - | 1 |

FA134



CAGIVA

| | | |
|-------------|-------|---|
| WMX 125/250 | 87-91 | F |
|-------------|-------|---|

HUSQVARNA

| | | |
|---------------|-------|---|
| CR 125 | 91 | F |
| WR 125 | 87-88 | F |
| WR 125 | 91 | F |
| CR 240 | 87-88 | F |
| WR 240 | 87-88 | F |
| WR 240 | 90-91 | F |
| CR 250 | 87-88 | F |
| CR 250 | 91 | F |
| WR 250 | 87-88 | F |
| WR 250 | 90-91 | F |
| XC 250 | 87-88 | F |
| WR 260 | 90-91 | F |
| TE 350 | 90-91 | F |
| WR 400 | 87-88 | F |
| 430 Automatic | 87-88 | F |
| CR 430 | 87-88 | F |
| WR 430 | 87-88 | F |
| XC 430 | 87-88 | F |
| CR 500 | 87-88 | F |
| XC 500 | 87-88 | F |
| TC 510 | 89- | F |
| TC 510 | 90 | F |
| TE 510 | 89 | F |
| TE 510 | 90 | F |
| WMX 510 | 89 | F |
| WXE 510 | 89 | F |
| TC 610 | 91 | F |
| TE 610 | 91 | F |

Competitor X Ref

| | | |
|-------------------|----------------------------|-------------------------|
| SBS 608 | Vesrah VD929/942 | Ferodo FDB499 |
|-------------------|----------------------------|-------------------------|

Dealer Stocking Recommendation

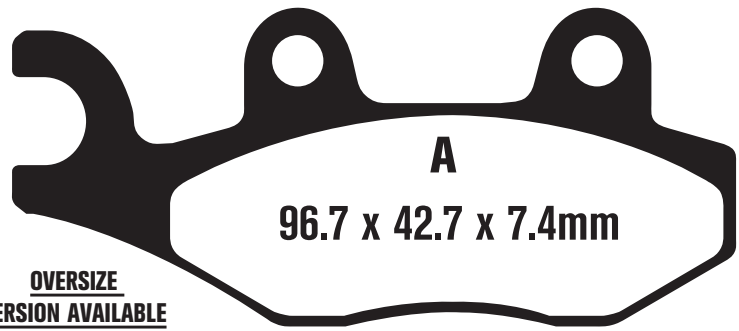
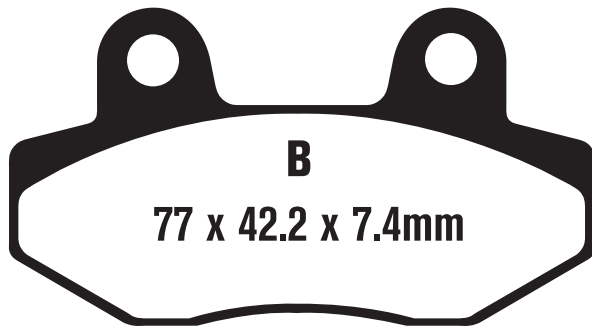
| | | |
|--------------------|---------------------|---------------------------|
| Single/Pair | Popularity # | Rec Stocking Level |
| 1 | - | 1 |

| | | |
|----------------|---------------|---------------------------|
| STD | FA134X | Black - Off Road |
| OPTIONS | FA134R | Sintered Off Road Utility |

Equivalents OE#

| |
|-----|
| N/A |
|-----|

FA135



OVERSIZE
VERSION AVAILABLE
SEE REF: FA202

KAWASAKI

KX 125 G1/H1/H2/J1/J2 89-93 F
 KLX 140 A8F/A9F/AAF/ABF (KLX 140) 08-11 F
 KLX 140 B8F/B9F/BAF/BBF (KLX 140 L) 08-11 F
 KDX 200 E5/E6 93-94 F
 KDX 250 D1/D2/D3/D4 91-94 F
 KLX 250 S (KLX 250 T9F/TAF) 09-10 F
 KLX 250 SF (KLX 250 W9F/WAF) Supermotard 09-10 F
 KX 250 G1/H1/H2/J1/J2 89-93 F
 KX 500 E1-E5 89-93 F

SUZUKI DIRT BIKE

RM 125 H/J/K/L/M/N/P 87-93 F
 DR 250 L/M/N/P/R/S 90-95 F
 RM 250 H/J/K/L/M/N/P 87-93 F
 RMX 250 K/M/N/P/R/S 89-95 F
 DR 250 SL/SM/SN/SEP/SER/SES 90-95 F
 DR 350 SL/SM/SN/SP/SEP/SES/SETI/SEW 90-97 F
 DR 350 L/M/N/P/R/S/T/V 90-97 F

YAMAHA DIRT BIKE

YZ 125 W/A/B/D/E 89-93 F
 WR 125 K 98 F
 WR 200 D 92 F
 TT-R 230 T/V/W/X/Y/A 05-09/11 F
 TT-R 250 L/M/N/P/R/S/T/V 99-06 F
 YZ 250 WRW/WRA 89-90 F
 YZ 250 W/A/B/D/E 89-93 F
 WR 250 ZB/ZD/ZE/ZF/ZG/ZH/ZJ 91-97 F
 WR 500 ZD/ZE 92-93 F

ATK

All Models 93-96 F & R

CAN-AM QUADS

Commander 800 R 11 F Right & R
 Commander 1000 11 F Right & R
 Commander 1000 XT 11 F Right & R
 Commander 1000 X 11 F Right & R

KAWASAKI ATV MODELS

KLF 300 C1-C17 'Bayou' (Left) 89-05 F (Right)
 KLF 400 B1-B7 'Bayou' (Left) 93-99 F (Right)
 KVF 650 H7F/H8F Brute Force 4x4i 07-08 F (Right)
 KVF 650 F6F/F7F/F8F/F9F/FAF/FBF Brute Force 650 4x4i 06-11 F (Right)
 KVF 650 G6F/G7F/G8F/G9F/GAF Brute Force 650 4x4i Hardwoods Green HD 06-10 F (Right)
 KRF 750 A8F/B8F (Teryx 750 4x4) 08 F (Right)
 KRF 750 L9F (Teryx 750 F1 4x4 Le Sport) 09 F (Right)
 KRF 750 C8F/D8F (Teryx 750 4x4 LE) 08 F (Right)
 KRF 750 F8F (Teryx 750 4x4 NRA Outdoors) 08 F (Right)
 KVF 750 A1/A6F/A7F Brute Force 750 4x4i 05-07 F (Right)
 KVF 750 B6F/B7F/B7FA Brute Force 750 4x4i 06-07 F (Right)

KVF 750 A1/A6F/B6F/B7FA/C7F/D8F/F8F/D9F/E9F/DAF/DBF

Brute Force 750 4x4 05-11 F (Right)
 KVF 750 F8F/FAF/FBF Brute Force 750 4x4i 08/10-11 F (Right)
 KRF 750 F8F (Teryx 750 4x4 NRA Outdoors) 08 F (Right)
 KRF 750 G9F/NAF/NBF (Teryx 750 Fi 4x4) 09-11 F (Right)
 KRF 750 M9F (Teryx 750 F1 4x4 NRA Outdoors) 09 F (Right)
 KRF 750 SAF/SAFA/SBF/SBFA (Teryx 750 Fi 4x4 Sport) 10-11 F (Right)
 KRF 750 TAF (Teryx 750 Fi 4x4 SGO) 10 F (Right)
 KRF 750 J9FA/K9F/PAF/PBF/RAF/RBF (Teryx 750 F1 4x4 LE) 09-11 F (Right)
 KVF 750 B1/E8F/E9F Brute Force 750 4x4i Hardwoods Green HD 05/08-09 F (Right)

KVF 750 E8FA/E9FA/EAFA/EAFF Brute Force 750 4x4i NRA Outdoors

SUZUKI ATV MODELS
 LT-F 300 FK2 02 F (Right)
 LT-R 450 K6/K7/K8/K9 06-11 F (Right)
 LT-R 450 ZK8/ZK9 Quad Racer Ltd Edition 08-09 F (Right)
 LT-F 500 FW/FX/FY/FK1/FK2/Z0 Quadrunner (Left) 98-02 F (Right)
 LT-A 500 FY/FK1 Quadmaster (Left) 00-01 F (Right)

YAMAHA ATV MODELS

YXR 450 Rhino (All models) 06-09 F (Right)
 YFZ 450 RY/RZ/RA 09-10 F (Right)
 YFZ 450 XZ/XA 10-11 F (Right)
 YFZ 450 S/T/V/W/X 04-09 F (Right)
 YFZ 450 SEW Special Edition 07 F (Right)
 YFZ 450 X SEA 11 F (Right)
 YFZ 450 RSEA 11 F (Right)
 YZF 450 BBW Bill Balance Edition 07 F (Right)
 YZF 450 SEW/SEX Special Edition 07-08 F (Right)
 YXR 660 Rhino 04-07 F (Right)
 YFM 700 RV/RW/RX/RY/RA Raptor 06-09/11 F (Right)
 YFM 700 RSEW/RSPX/RSPY/RSEA Special Edition 07-11 F (Right)
 YXR 700 Rhino (All models) 08-09/11 F (Right) & R (Right)

HUSQVARNA

CR 125 92-94 F
 WR 125 93-94 F
 CR 250 92-94 F
 WR 250 92-94 F
 TE 350 92-94 F
 CR 360 92-94 F
 WR 360 92-94 F
 TC 610 92-94 F
 TE 610 92-94 F

MZ

SX/SM 125 02-05 F

UM (UNITED MOTORS)

DSF 200 06-08 F
 SMF 200 08 F
 DTF 200 06-08 F

| | | | | | |
|------------|-------------|-------------|--------------|--------------|--------------|
| 43082 0022 | 43082 1117 | 59100 09870 | 59300 27850 | 4EW W0045 01 | 5TG W0045 20 |
| 43082 0060 | 43082 1129 | 59100 09890 | 59300 27860 | 4MX W0045 00 | 9023002000 |
| 43082 0075 | 59100 09840 | 59300 08810 | 251-0006A | 5B4 W0045 10 | 43082 0087 |
| 43082 0082 | 59100 09850 | 59300 26830 | 3SP W0045 00 | 5GF W0045 00 | 715500336 |
| 43082 1089 | 59100 09860 | 59300 27830 | 3XP W0045 00 | 5TG W0045 00 | |
| 43082 1093 | 59100 09880 | 59300 27810 | 4EW W0045 00 | 5RM W0045 10 | |

Equivalents OE#

Competitor X Ref

| | | |
|-------------------|------------------------|-------------------------|
| SBS 611 | Yesrah VD340 | Ferodo FDB497 |
|-------------------|------------------------|-------------------------|

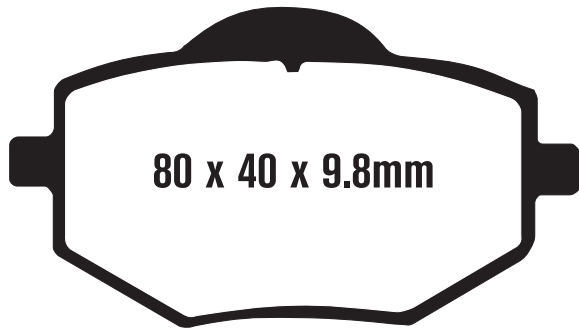
Dealer Stocking Recommendation

| | | |
|-------------------------|--|---|
| Single/Pair 1 | Popularity # FA135R - Y16/S18/K8 FA135X - Y13/S13/K12 | Rec Stocking Level FA135R - 2 FA135X - 2 |
|-------------------------|--|---|

| | | |
|------------|----------------|---------------------------|
| STD | FA135X | Red - Off Road |
| | FA135R | Sintered Off Road Utility |
| | MXS135 | Sintered Off Road Race |
| | FA135SV | Sintered ATV Severe Duty |

All part numbers, prefixes and suffixes shown in this catalog are unique and form a registered copyright as the property of EBC Brakes and its UK trademark owners

FA136



YAMAHA ROAD BIKE

XV 535 T/TC/U/A/AC/E/EC/F/FC/SF/SFC 87-94 F

Competitor X Ref

| | | |
|-------------------|------------------------|-------------------------|
| SBS 616 | Vesrah VD246 | Ferodo FDB591 |
|-------------------|------------------------|-------------------------|

Equivalents OE#

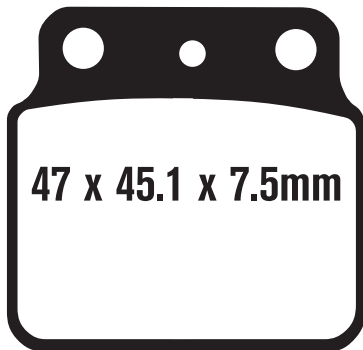
3JB W0045 00

STD FA136 Black - Touring - Road

Dealer Stocking Recommendation

| | | |
|-------------------------|----------------------------|--------------------------------|
| Single/Pair 1 | Popularity # Y33 | Rec Stocking Level 1 |
|-------------------------|----------------------------|--------------------------------|

FA137



SUZUKI ATV

LT250 RJ/RK/RL/RM/RN 88-92 R
 LT-Z 400 K3/K4/K5/K6/K7/K8/K9/ZK9/L0 QuadSport 03-10 R
 LT-R 450 K6/K7/K8/K9 06-11 R
 LT-R 450 ZK8/ZK9 Quad Racer Ltd Edition 08-09 R
 LT 500 RH/RJ/RK/RL 87-90 R

KAWASAKI ATV

KSF 400 A1/A2/A3/A6F (KFX 400) 03-06 R

ARCTIC CAT

DVX 400 04-08 R

HYOSUNG

TE 450 06 R

Competitor X Ref

| | | |
|-------------------|------------------------|--------------------------|
| SBS 649 | Vesrah VD341 | Ferodo FDB2016 |
|-------------------|------------------------|--------------------------|

Equivalents OE#

| | | | |
|------------|-------------|-------------|-------------|
| 3406 075 | 69100 01810 | 69140 35B00 | 69140 43B10 |
| 43082 S007 | 69100 07810 | 69140 43B00 | |

STD FA137X Red - Off Road
 FA137R Sintered Off Road Utility
PTONS FA137SV Sintered ATV Severe Duty

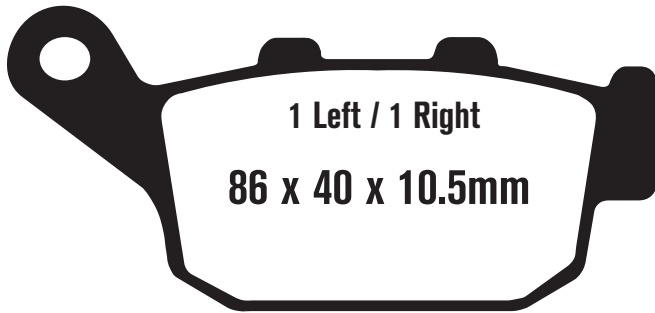
Dealer Stocking Recommendation

| | | |
|-------------------------|----------------------------|--------------------------------|
| Single/Pair 1 | Popularity # S22 | Rec Stocking Level 1 |
|-------------------------|----------------------------|--------------------------------|

FA138 104.3 x 62.3 x 12mm Referred to FA201

FA139 104.3 x 62 x 11mm Referred to FA200

FA140



HONDA ROAD BIKE

| | | |
|----------------|-------|---|
| CBR 250 R | 11 | R |
| CB-1 (CB400F) | 89-90 | R |
| NT 650 Hawk GT | 88-91 | R |

YAMAHA

| | | |
|------------------|-------|---|
| FZ6R (FZS6Y/Z/A) | 09-11 | R |
|------------------|-------|---|

BUELL

| | | |
|--|-------|---|
| M2 Cyclone, S1 Lightning, S1 White Lightning, S3 Thunderbolt, S3T Thunderbolt, X1 Lightning | 98-05 | R |
| XB9R | 02-07 | R |
| XB9S | 03-04 | R |
| XB9SX Lightning City X | 05-09 | R |
| XB9SX Lightning | 08-10 | R |
| XB12R | 04-08 | R |
| XB12S | 04-08 | R |
| XB12X Ulysses | 06-10 | R |
| XB12XT Ulysses | 08-10 | R |
| XB12 SCG Lightning | 06-10 | R |
| XB12 SS Lightning Long | 06-09 | R |
| XB12 STT Lightning | 08 | R |
| Blast | 00-07 | R |
| XB 12 R Firebolt | 09-10 | R |
| XB 12 SS Lightning | 09-10 | R |

TRIUMPH

| | | |
|---|-------|---|
| Daytona 600 | 03-04 | R |
| Daytona 650 | 05 | R |
| Daytona 955i (From VIN132513) | 01-06 | R |
| Speedfour 600 | 02-05 | R |
| Daytona 675 | 06-08 | R |
| 675 Daytona Black Monobloc radial caliper | 09-11 | R |
| Street Triple 675 | 07-10 | R |
| Street Triple R 675 (Radial caliper) | 09-10 | R |
| 675 R (Brembo calipers) | 11 | R |
| Tiger 800 | 11 | R |
| Tiger 800 XC | 11 | R |

Equivalents OE#

| | |
|----------------|--------------|
| 06435 KT7 405 | 69100 04830 |
| 43105 KT7 761A | T2020602 |
| 43105 KT7 762A | H0301-T |
| 43106 KT7 761B | 69101 44850 |
| 43106 KT7 762B | 20S W0046 00 |
| 45105 KV3 831 | |

Dealer Stocking Recommendation

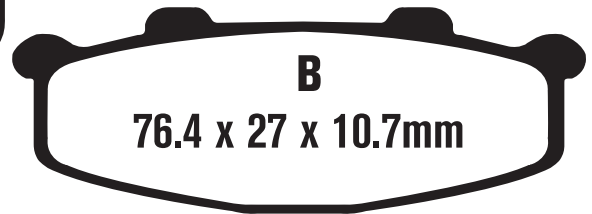
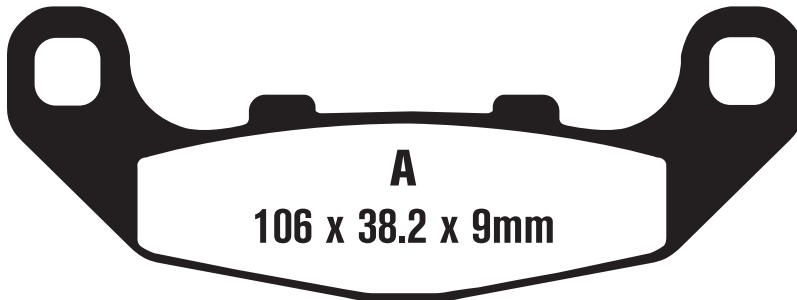
| Single/Pair | Popularity # | Rec Stocking Level |
|-------------|--------------|--------------------|
| 1 | H31 | 1 |

Competitor X Ref

| | |
|------------------------|--------------------------|
| STD FA140 | Black - Touring - Road |
| OPTIONS FA140HH | Sintered HH Sport - Road |

| SBS | Vesrah | Ferodo |
|-----|--------|--------|
| 614 | VD147 | FDB531 |

FA141



KAWASAKI ROAD BIKE

| | | |
|---------------------------------|-------|---|
| EX 250 F2-F19/D6F/D7F Ninja 250 | 88-07 | R |
| ZR 550 B1/B2/B3 Zephyr | 90-92 | R |

Equivalents OE#

| | | |
|------------|------------|------------|
| 43082 1075 | 43082 1087 | 43082 1144 |
| 43082 1076 | 43082 1125 | 43082 1145 |
| 43082 1085 | 43082 1127 | |

Competitor X Ref

| SBS | Vesrah | Ferodo |
|-----|--------|--------|
| 615 | VD430 | FDB508 |

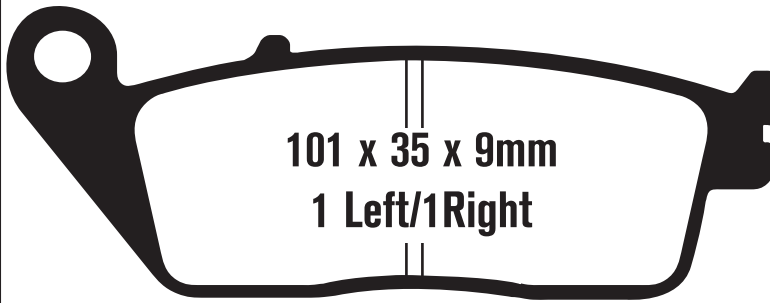
Dealer Stocking Recommendation

| Single/Pair | Popularity # | Rec Stocking Level |
|-------------|--------------|--------------------|
| 1 | K10 | 2 |

| | |
|------------------|------------------------|
| STD FA141 | Black - Touring - Road |
|------------------|------------------------|

All part numbers, prefixes and suffixes shown in this catalog are unique and form a registered copyright as the property of EBC Brakes and its UK trademark owners

FA142



101 x 35 x 9mm
1 Left/1 Right

NOTE

Later supplies have clip notch. Both designs ok for front brake use

HONDA ROAD BIKE

| | | |
|-----------------------------|-------------|---|
| CN 250 Helix | 94-01/05-07 | F |
| VFR 750 F | 90-97 | F |
| CB-1 (CB400F) | 89-90 | F |
| AN 650 K4/AK4/K5/AK5/K6/AK6 | 04-06 | F |
| NT 650 Hawk GT | 88-91 | F |
| PC 800 Pacific Coast | 89-90/94-98 | F |
| CBR 1000 F | 90-91 | F |
| ST 1100 | 91-02 | F |
| ST 1100 A | 95 | F |
| GL 1500 C/CT/CF/FD Valkyrie | | |
| /Valkyrie Tourer | 97-03 | F |

SUZUKI ROAD BIKE

| | | |
|---------------------------------------|-------|---|
| RF 600 RR/RS/RT/RV | 94-97 | F |
| GSF 600 Bandit ST/SV/SW | 96-98 | F |
| AN 650 K3/K4/K5/AK4/AK5/K6/AK6/AK7/K7 | | |
| /AK8/K8/AK9/K9/AL1 Burgman | 03-11 | F |

YAMAHA DIRT BIKE

| | | |
|--------------------------------|-------|---|
| WR 250 XX/XY/XZ/XA Supermotard | 08-11 | F |
|--------------------------------|-------|---|

CAGIVA ROAD BIKE

| | | |
|-----------------|-------|---|
| Gran Canyon 900 | 99-00 | F |
|-----------------|-------|---|

DAELIM

| | | |
|--------|-------|---|
| S2-125 | 06-09 | F |
| S2-250 | 06-09 | F |

TRIUMPH

| | | |
|-------------------|-------|---|
| Scrambler (865cc) | 06-11 | F |
| Thrupton 900 | 04-09 | F |

KYMCO

| | | |
|---------------------|-------|---|
| Xciting 250 | 05-11 | F |
| Downtown 300i | 10-11 | F |
| Xciting 500 | 04-11 | F |
| Speedmaster (865cc) | 10-11 | F |

Competitor X Ref

| | | |
|-------------------|--------------------------|-------------------------|
| SBS 627 | Vesrah VD156/2 | Ferodo FDB570 |
|-------------------|--------------------------|-------------------------|

Equivalents OE#

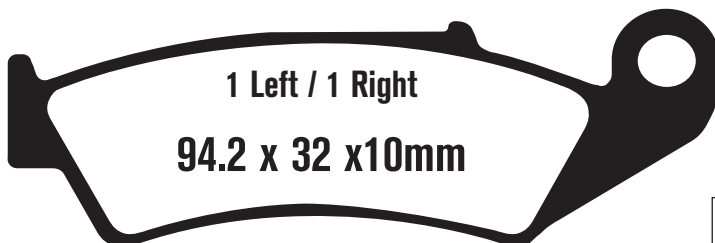
| | | |
|----------------|----------------|-------------|
| 06455 MW3 405 | 45105 MV4 008 | 59300 21820 |
| 06455 KFR 701 | 45106 ML7 922 | 59300 21840 |
| 45105 ML7 921A | 45106 ML7 922B | 59300 21850 |
| 45105 KAZ 004 | 45106 MR4 901 | |

| | | |
|---------------|----------------|--------------------------|
| STD | FA142 | Black - Touring - Road |
| OPTION | FA142HH | Sintered HH Sport - Road |

Dealer Stocking Recommendation

| | | |
|-------------------------|----------------------------|--------------------------------|
| Single/Pair 1 | Popularity # H18 | Rec Stocking Level 2 |
|-------------------------|----------------------------|--------------------------------|

FA143



1 Left / 1 Right
94.2 x 32 x 10mm

HONDA ROAD BIKE

| | | |
|------------------|-------|---|
| VFR 750R (RC 30) | 90 | R |
| RVF 750R (RC 45) | 94-95 | R |

Equivalents OE#

| | |
|----------------|----------------|
| 43105 MR7 007A | 43106 MR7 007B |
| 43105 MR7 017A | 43106 MR7 017B |

Competitor X Ref

| | | |
|-------------------|--------------------------|-------------------------|
| SBS 623 | Vesrah VD139/2 | Ferodo FDB496 |
|-------------------|--------------------------|-------------------------|

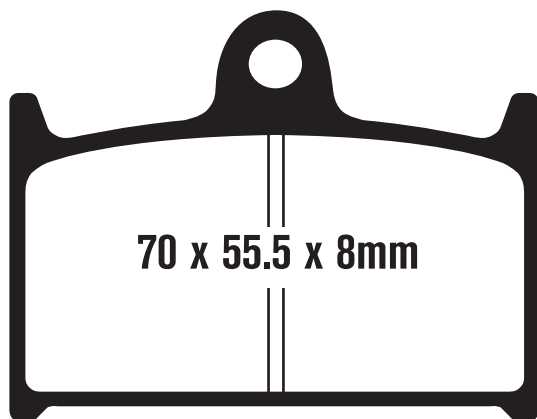
Dealer Stocking Recommendation

| | | |
|-------------------------|--------------------------|--------------------------------|
| Single/Pair 1 | Popularity # - | Rec Stocking Level 1 |
|-------------------------|--------------------------|--------------------------------|

| | | |
|------------|--------------|------------------------|
| STD | FA143 | Black - Touring - Road |
|------------|--------------|------------------------|

FA144 use FA187

FA145



70 x 55.5 x 8mm

SUZUKI ROAD BIKE

| | | |
|----------------------------------|-------|---|
| GSX-R 600 WN/WP | 92-93 | F |
| RF 900 RR/RS/RS2/RT/RV/RW | 94-98 | F |
| GSX - R 1100 K/L/M/N | 89-92 | F |
| GSF 1200 SV/SAV/SW/SAW/SX/SAX/SY | 97-00 | F |

YAMAHA ROAD BIKE

| | | |
|----------------|-------|---|
| TZ 125 | 94- | F |
| TZ 250 | 89-02 | F |
| FZR 750 (OWO1) | 89-92 | F |

MZ

| | | |
|--------|-------|---|
| 1000 S | 03-05 | F |
|--------|-------|---|

Equivalents OE#

| | | |
|-------------|--------------|--------------|
| 59100 33830 | 59130 33C10 | 3LC 25811 00 |
| 59100 40810 | 59130 40C00 | 3MW W0045 00 |
| 59130 17C00 | 59300 17810 | 3TC W0045 00 |
| 59130 33C00 | 3FV W0045 00 | |

Competitor X Ref

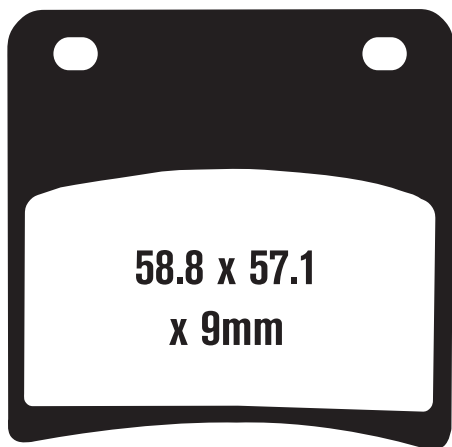
| | | |
|-------------------|------------------------|-------------------------|
| SBS 624 | Vesrah VD343 | Ferodo FDB557 |
|-------------------|------------------------|-------------------------|

Dealer Stocking Recommendation

| Single/Pair | Popularity # | Rec Stocking Level |
|-------------|--------------|--------------------|
| 2 | S4 | 8 |

| | | |
|----------------|------------------|--------------------------|
| STD | FA145 | Black - Touring - Road |
| OPTIONS | FA145HH | Sintered HH Sport - Road |
| | EPFA145HH | Sintered HH Race |

FA146



**58.8 x 57.1
x 9mm**

SUZUKI ROAD BIKE

| | | |
|---|-------|---|
| GSX 600 FJ/FK/FL/FM/FN/FP/FR/FS/FT 'Katana' | 88-97 | F |
| GSX 750 FK/FL/FM/FN/FP/FR/FS/FT/FV 'Katana' | 89-97 | F |
| VX 800 L/M/N/P | 90-93 | R |
| GSX 1100 FJ/FK/FL/FM/FN/FP 'Katana' | 88-93 | F |
| GSX 1100 GM/GN/GP | 91-93 | R |
| GV 1400 GDG (from F No:103765) | 86 | F |
| GV 1400 GCG/GDH/ GTH/GCH/GDJ | 86-88 | F |

Equivalents OE#

| | | |
|-------------|-------------|-------------|
| 59100 19820 | 59130 26D00 | 69100 45890 |
| 59100 24810 | 59130 45C10 | 69130 34C00 |
| 59130 19C00 | 59130 48B00 | 69130 45C00 |
| 59130 20C00 | 59130 48B00 | 69130 45C10 |
| 59130 24A10 | 69100 34860 | |

Competitor X Ref

| | | |
|-------------------|--------------------------|-------------------------|
| SBS 620 | Vesrah VD345/2 | Ferodo FDB569 |
|-------------------|--------------------------|-------------------------|

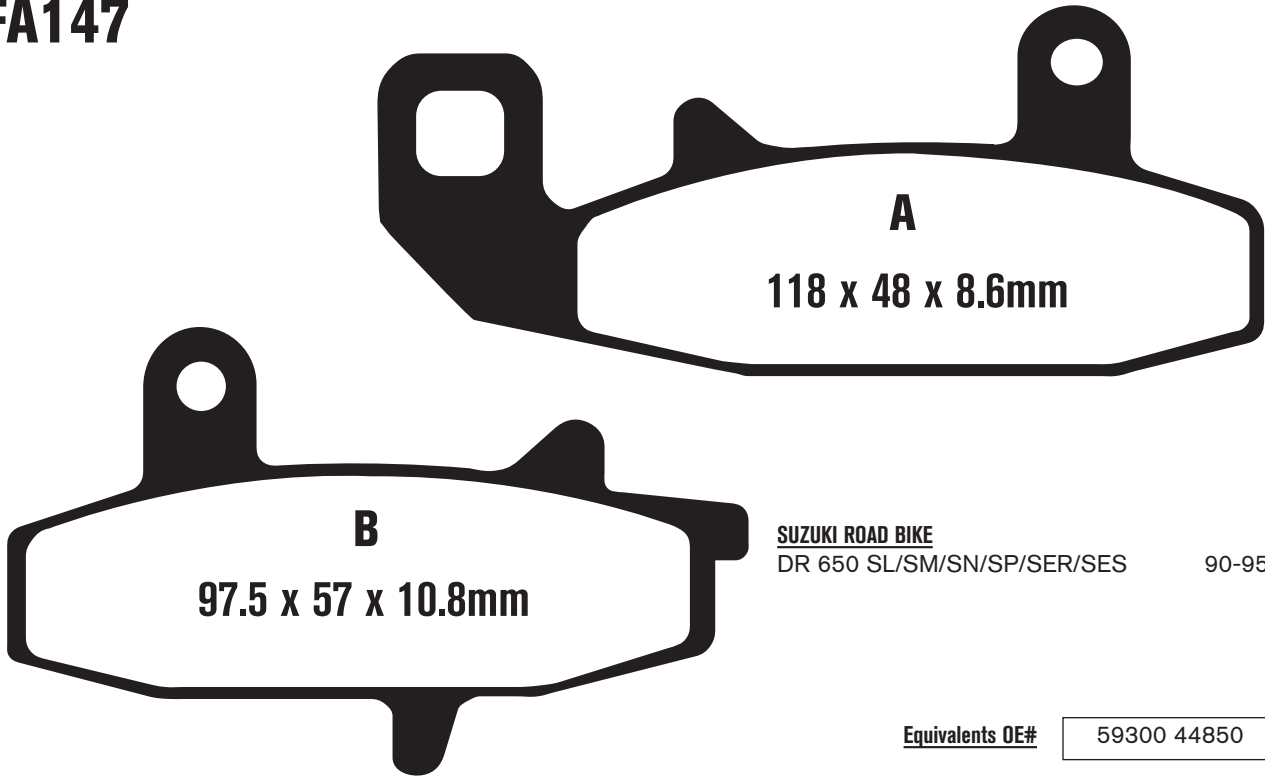
| | | |
|----------------|----------------|--------------------------|
| STD | FA146 | Black - Touring - Road |
| OPTIONS | FA146HH | Sintered HH Sport - Road |

Dealer Stocking Recommendation

| Single/Pair | Popularity # | Rec Stocking Level |
|-------------|--------------|--------------------|
| 2 | S5 | 6 |

All part numbers, prefixes and suffixes shown in this catalog are unique and form a registered copyright as the property of EBC Brakes and its UK trademark owners

FA147



SUZUKI ROAD BIKE
DR 650 SL/SM/SN/SP/SER/SES 90-95 F

Equivalents OE# 59300 44850

Competitor X Ref

| | | |
|-------------------|------------------------|-------------------------|
| SBS 626 | Vesrah VD347 | Ferodo FDB569 |
|-------------------|------------------------|-------------------------|

| | | |
|----------------|---------------|---------------------------|
| STD | FA147X | Black - Off Road |
| OPTIONS | FA147R | Sintered Off Road Utility |

Dealer Stocking Recommendation

| | | |
|-------------------------|--------------------------|--------------------------------|
| <u>Single/Pair</u> 1 | <u>Popularity #</u> - | <u>Rec Stocking Level</u> 1 |
|-------------------------|--------------------------|--------------------------------|

FA150



SUZUKI ROAD BIKE
GV 1400 GDG (from F No:103765) 86 R
GV 1400 Cavalcade GCG/GDH/GTH/GCH/GDJ 86-88 R

Equivalents OE#

| | |
|-------------|-------------|
| 59130 38B10 | 69130 24A03 |
| 69100 24860 | 69130 24A04 |
| 69130 24A02 | |

Competitor X Ref

| | | |
|-----------------|--------------------------|-------------------------|
| SBS - | Vesrah VD331/2 | Ferodo FDB831 |
|-----------------|--------------------------|-------------------------|

| | | |
|----------------|----------------|--------------------------|
| STD | FA150 | Black - Touring - Road |
| OPTIONS | FA150HH | Sintered HH Sport - Road |

Dealer Stocking Recommendation

| | | |
|-------------------------|----------------------------|--------------------------------|
| <u>Single/Pair</u> 2 | <u>Popularity #</u> H33 | <u>Rec Stocking Level</u> 8 |
|-------------------------|----------------------------|--------------------------------|

FA151



HONDA ROAD

| | | |
|------------|-------|---|
| RS 125 | 88-07 | R |
| RS 250 | 88-02 | R |
| SYM | | |
| MIO 50 | 05-10 | F |
| DD 50 | 02-08 | F |

Equivalents OE# 45105 GM9 743A

Competitor X Ref

| SBS | Vesrah | Ferodo |
|-----|--------|--------|
| - | - | - |

| Dealer Stocking Recommendation | Single/Pair | Popularity # | Rec Stocking Level |
|--------------------------------|-------------|--------------|--------------------|
| | 2 | - | 6 |

STD FA151 Black - Touring - Road

FA152 FA152/2

FA152

KAWASAKI DIRT BIKE

| | | |
|---|-------|---|
| KX 125 G1/H1/H2/J1/J2/K1 | 89-94 | R |
| KDX 200 E1-E6 | 89-94 | R |
| KDX 200 H1-H10/H6F | 95-06 | R |
| KDX 220 R A4/A5/A6/A7/A8/A9/A10/A11/A12/A6F | 97-06 | R |
| KLX 250 R D2/D3/D4 | 94-96 | R |
| KX 250 G1/H1/H2/J1/J2/K1 | 89-94 | R |
| KDX 250 D1/D2/D3/D4 | 91-94 | R |
| KX 500 E1-E7 | 89-95 | R |
| KLX 650 A1-A3 (KLX 650 R) | 93-96 | R |
| KLX 650 C1-C4 (KLX 650) | 93-96 | R |

SUZUKI DIRT BIKE

| | | |
|--|-------|---|
| RM 125 K/L | 89-90 | R |
| RMX 250 K/L/M/N/P/R/S/T/V/W | 89-98 | R |
| DR 250 L/M/N/P/R/S | 90-95 | R |
| DR 250 SL/SM/SN/SEP/SER/SES | 90-95 | R |
| RM 250 K/L | 89-90 | R |
| DR 350 L/M/N/P/R/S/T/V/W/X | 90-99 | R |
| DR 350 SL/SM/SN/SP/SEP/SES/SET/SEW/SEX | 90-99 | R |
| DR 650 SET/SEV/SEW/SEX/SEY/SEK1/SEK2/SEK3/SEK4/SEK5/SEK6/SEK7/SEK8/SEK9/SEL1 | 96-11 | R |

YAMAHA DIRT BIKE

| | | |
|-----------------------------|-------|---|
| YZ 125 A | 90 | R |
| WR 125 K | 98 | R |
| TT-R 250 L/M/N/P/R/S/T/V | 99-06 | R |
| XT 250 X/Y/Z/A | 08-11 | R |
| YZ 250 A | 90 | R |
| YZ 250 WRA | 90 | R |
| WR 250 ZB/ZD/ZE/ZF/ZG/ZH/ZJ | 91-97 | R |
| YZ 400 FK | 98 | R |
| WR 400 FK | 98 | R |
| WR 500 ZD/ZE | 92-93 | R |

YAMAHA ATV

| | | |
|-----------------------------|-------|---|
| YXR 700 Rhino Parking brake | 08-09 | F |
|-----------------------------|-------|---|

Competitor X Ref

| SBS | Vesrah | Ferodo |
|-------------|-----------------|--------|
| 632 = 152 | VD432 = 152 | FDB659 |
| 648 = 152/2 | VD432/2 = 152/2 | |

| | | |
|-----|----------|---------------------------|
| STD | FA152X | Red - Off Road |
| | FA152R | Sintered Off Road Utility |
| | MXS152 | Sintered Off Road Race |
| STD | FA152/2X | Red - Off Road |
| | FA152/2R | Sintered Off Road Utility |
| | MXS152/2 | Sintered Off Road Race |

FA152

Dealer Stocking Recommendation

FA152/2

Dealer Stocking Recommendation



FA152/2

SUZUKI DIRT BIKE

| | | |
|-------------------------------|-------|---|
| RM 125 M/N/P/R/S | 91-95 | R |
| RM 250 M/N/P/R/S | 91-95 | R |
| DR-Z 250 K1/K2/K3/K4/K5/K6/K7 | 01-07 | R |

YAMAHA DIRT BIKE

| | | |
|----------------------|-------|---|
| YZ 125B/D/E/F/G/H/J | 91-97 | R |
| YZ 250 B/D/E/F/G/H/J | 91-97 | R |
| WR 200 D | 92 | R |

Equivalents OE#

FA152

| | | |
|------------|-------------|--------------|
| 43082 1090 | 43082 1137 | 69140 28C00 |
| 43082 1118 | 43082 1151 | 5XT W00 4650 |
| 43082 1131 | 69140 15D00 | |

Equivalents OE#

FA152/2

| | | |
|-------------|--------------|--------------|
| 69100 43820 | 69140 27C20 | 4GY W0046 00 |
| 69100 43840 | 69140 43D00 | 4GV W0046 00 |
| 69100 43850 | 69140 43840 | 5GF W0046 00 |
| 69130 05D00 | 3SP W0046 00 | 271-5000082 |
| 69140 26C00 | 3XP W0046 00 | 5000082 |
| 69140 27C10 | 4DA W0046 00 | |

| Single/Pair | Popularity # | Rec Stocking Level |
|-------------|-------------------|--------------------|
| 1 | FA152R - K3/S7/Y6 | 5 |
| 1 | FA152X - K4/S6/Y6 | 5 |

| Single/Pair | Popularity # | Rec Stocking Level |
|-------------|--------------------|--------------------|
| 1 | FA152/2X - S20/Y18 | 1 |
| 1 | FA152/2R - S17/Y15 | 1 |

All part numbers, prefixes and suffixes shown in this catalog are unique and form a registered copyright as the property of EBC Brakes and its UK trademark owners

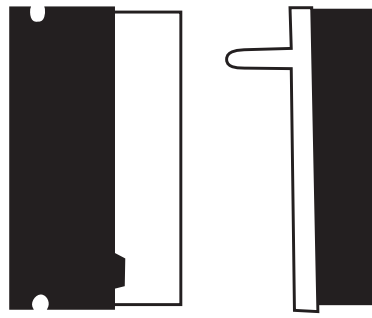
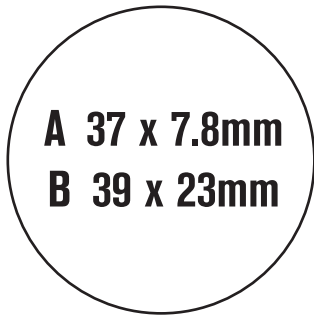
FA155

YAMAHA ATV

YFS 200 U/W/A/B/D/E

88-02 R

/F/G/H/J/K/L/M/N/P 'Blaster'



Equivalents OE#

2XJ 25811 00

Competitor X Ref

| | | |
|-------------------|------------------------|--------------------|
| SBS 637 | Vesrah VD261 | Ferodo - |
|-------------------|------------------------|--------------------|

| | | |
|----------------|---------------|------------------------|
| STD | FA155X | Black - Off Road |
| OPTIONS | FA155R | Sintered Off Road Race |

Dealer Stocking Recommendation

| <u>Single/Pair</u> | <u>Popularity #</u> | <u>Rec Stocking Level</u> |
|--------------------|---------------------|---------------------------|
| 1 | FA155R - Y23 | 4 |
| 1 | FA155X - Y5 | 4 |

**BUYERS GUIDE
BRAKE PADS**

FA156

BETA

SYNT/GARA

93-96 R



Competitor X Ref

| | | |
|-------------------|------------------------|-------------------------|
| SBS 672 | Vesrah VD943 | Ferodo FDB886 |
|-------------------|------------------------|-------------------------|

Equivalents OE#

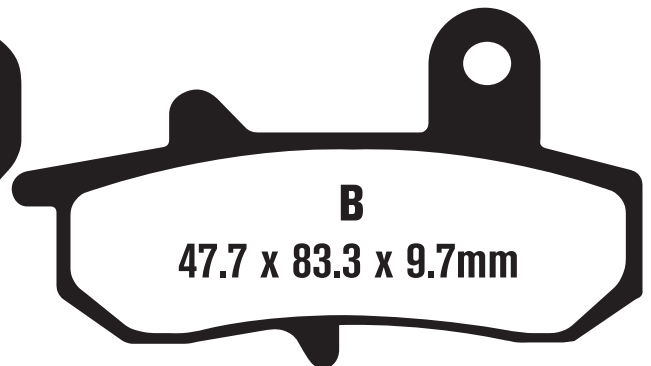
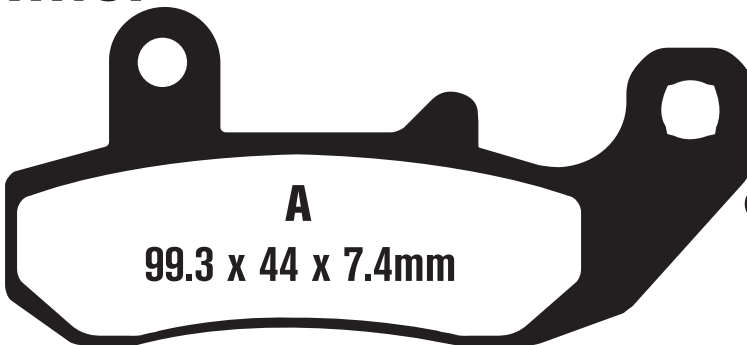
N/A

| | | |
|------------|---------------|------------------|
| STD | FA156X | Black - Off Road |
|------------|---------------|------------------|

Dealer Stocking Recommendation

| <u>Single/Pair</u> | <u>Popularity #</u> | <u>Rec Stocking Level</u> |
|--------------------|---------------------|---------------------------|
| 1 | - | 1 |

FA157



SUZUKI DIRT BIKE

DR 650SL/SM/SN/SP/SER/SES

90-95 R

Competitor X Ref

| | | |
|-------------------|------------------------|-------------------------|
| SBS 635 | Vesrah VD348 | Ferodo FDB607 |
|-------------------|------------------------|-------------------------|

Equivalents OE#

69100 44860 | 69100 12810

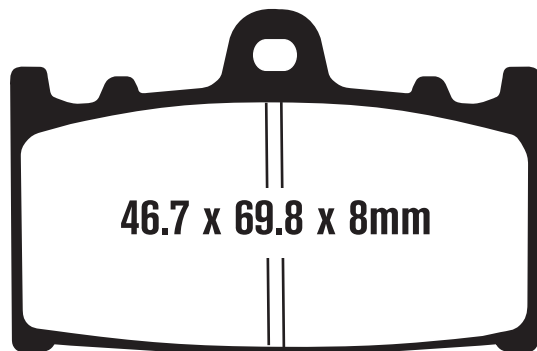
| | | |
|----------------|---------------|------------------------|
| STD | FA157X | Red - Off Road |
| OPTIONS | FA157R | Sintered Off Road Race |

Dealer Stocking Recommendation

| <u>Single/Pair</u> | <u>Popularity #</u> | <u>Rec Stocking Level</u> |
|--------------------|---------------------|---------------------------|
| 1 | - | 1 |

All part numbers, prefixes and suffixes shown in this catalog are unique and form a registered copyright as the property of EBC Brakes and its UK trademark owners

FA158



46.7 x 69.8 x 8mm

Competitor X Ref

| | | |
|-------------------|------------------------|-------------------------|
| SBS 631 | Vesrah VD344 | Ferodo FDB574 |
|-------------------|------------------------|-------------------------|

Equivalents OE#

| | | | | |
|------------|------------|-------------|-------------|-------------|
| 43082 1097 | 43082 1113 | 59100 22810 | 59130 22D00 | 59130 32C10 |
| 43082 1102 | 43082 1120 | 59100 32830 | 59130 32000 | 59130 32C20 |
| 43082 1110 | 43082 1142 | 59101 35810 | 59130 32020 | 59130 38C00 |
| 43082 1111 | 43082 1288 | 59300 34830 | 59130 32C00 | |

| | | |
|----------------|------------------|--------------------------|
| STD | FA158 | Black - Sport |
| OPTIONS | FA158HH | Sintered HH Sport - Road |
| | EPFA158HH | Sintered HH Race |

Dealer Stocking Recommendation

| | | |
|--------------------|---------------------|---------------------------|
| Single/Pair | Popularity # | Rec Stocking Level |
| 2 | K7 | 6 |

- KAWASAKI ROAD BIKE**
- ZX 600 D1-D4 (ZX6) 90-93 F
 - ZX 600 E1-E13 (Ninja ZX6) 93-05 F
 - ZX6 R (ZX 600 F1/F2/F3) 94-97 F
 - ZXR 750 HI/H2/J1/J2/L1/L2/L3 'Ninja' ZX-7 89-95 F
 - ZX 750 K1/K2/M1/M2 Ninja ZX- 7R 91-95 F
 - ZX-9R B1/B2 Ninja 94-95 F
 - ZX 1100 C1-C4/D1-D9 (ZX11) 90-01 F
 - ZR 1100 A1/A2/A3/A4 Zephyr 92-95 F
 - ZZR 1200 (ZX 1200 C1/C2/C3) 02-04 F
 - VN 1700 Vulcan Voyager 09 F
 - VN 1700 A9FA/AAF/ABF Vulcan 1700 Voyager 09-11 F
 - VN 1700 B9FA/BAF/BBF Vulcan 1700 Voyager ABS 09-11 F
 - VN 2000 A1/A2/A6F/A7F/G8F/G9F Vulcan 04-09 F
 - VN 2000 D1/D6F Vulcan Ltd 05-06 F
 - VN 2000 E6F/E7F/H8F/H9F Vulcan Classic 06-09 F
 - VN 2000 F6F/F7F/J8F/J9F/JAF Vulcan Classic LT 06-10 F
- SUZUKI ROAD**
- GSXR 600 V/W/X/Y/K1/K2/K3/ZK3 97-03 F
 - GSX 650 FK8/FK9 08-10 F
 - GSXR 750 Y/K1/K2/K3 00-03 F
 - SV 1000 K3/SK3/K4/SK4/K5/SK5/SK6/SK7 03-07 F
 - TL 1000 SV/SW/SX/SY/SK1 97-01 F
 - GSF 1250 SAK7/SAK8/SAK9 (ABS) 07-11 F
 - GSF 1250 SK7/SK8/SK9 Bandit 07-11 F
 - GSX 1250 FAL1 11 F
- PRO ONE**
- 4 piston caliper
- BERINGER**
- 4 piston caliper
- MOTOMASTER**
- 4 piston caliper
- HUSABERG**
- All supermotard models 00-03 F
- VERTEMATI**
- S 450/501/570 E (Super Motard) 03-04 F
 - SR 450/SR 600 Motard Racing 03-04 F

FA159



97 x 40 x 7mm

Equivalents OE#

| | | |
|---------|---------|---------|
| 1911171 | 2200464 | 2202412 |
| 1930731 | 2200901 | 2203452 |
| 2200465 | 2201149 | 2203792 |
| 2200418 | 2201398 | |

Competitor X Ref

| | | |
|-------------------|------------------------|--------------------------|
| SBS 642 | Vesrah VD940 | Ferodo FDB2055 |
|-------------------|------------------------|--------------------------|

POLARIS ATV
All disc front brake models - check application pages for main fitments.

DANGER MUST BE FITTED IN COMPLETE FRONT AXLE SETS TO AVOID PULLING LEFT OR RIGHT

| | | |
|----------------|----------------|---------------------------|
| STD | FA159X | Red - Off Road |
| OPTIONS | FA159R | Sintered Off Road Utility |
| | FA159SV | Sintered ATV Severe Duty |

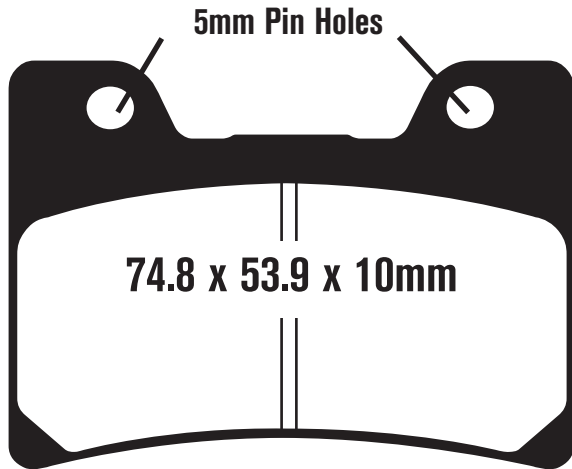
Dealer Stocking Recommendation

| | | |
|--------------------|---------------------|---------------------------|
| Single/Pair | Popularity # | Rec Stocking Level |
| 2 | P1 | 4 |

All part numbers, prefixes and suffixes shown in this catalog are unique and form a registered copyright as the property of EBC Brakes and its UK trademark owners

FA160

For later pad FZR 1000 92-93 with 6mm pin holes use FA182



Competitor X Ref

| | | |
|-------------------|------------------------|-------------------------|
| SBS 645 | Vesrah VD251 | Ferodo FDB666 |
|-------------------|------------------------|-------------------------|

Equivalents OE#

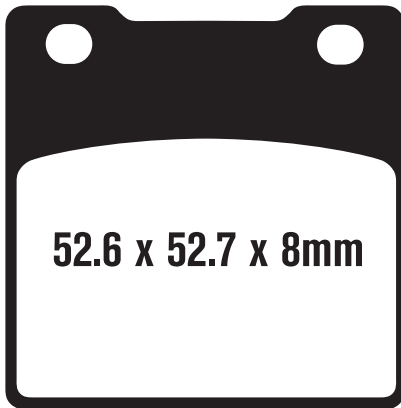
| |
|--------------|
| 3GM W0045 00 |
| 3GM W0045 01 |
| 3GM W0045 11 |

| | | |
|----------------|----------------|--------------------------|
| STD | FA160 | Black - Touring - Sport |
| OPTIONS | FA160HH | Sintered HH Sport - Road |

Dealer Stocking Recommendation

| | | |
|--------------------|---------------------|---------------------------|
| <u>Single/Pair</u> | <u>Popularity #</u> | <u>Rec Stocking Level</u> |
| 2 | Y3 | 8 |

FA161



KAWASAKI ROAD BIKE

| | | |
|---|-------|---|
| ZXR 750 H1/H2/J1/J2/L1/L2/L3 Ninja ZX-7 | 89-95 | R |
| ZX 750 K1/K2/M1/M2 Ninja ZX-7R | 91-95 | R |
| Ninja ZX-7R (ZX 750 P1-P8) | 96-03 | R |
| (ZR 1100 C3/C4) ZRX 1100 | 99-00 | R |
| ZX 1100 D1-D9 (ZX11) | 93-01 | R |
| ZX 12 R (ZX 1200 A1/A2/B1/B2/B3/B4) | 00-05 | R |
| ZRX 1200 R (ZR 1200 A1/A2/A3/A4/A5) | 01-05 | R |
| ZZR 1200 (ZX 1200 C1/C2/C3/C4) | 02-05 | R |
| ZX-12R (ZX 1200 A1/A2/B1-B4) | 00-05 | R |

Competitor X Ref

| | | |
|-------------------|--------------------------|-------------------------|
| SBS 556 | Vesrah VD327/2 | Ferodo FDB338 |
|-------------------|--------------------------|-------------------------|

Equivalents OE#

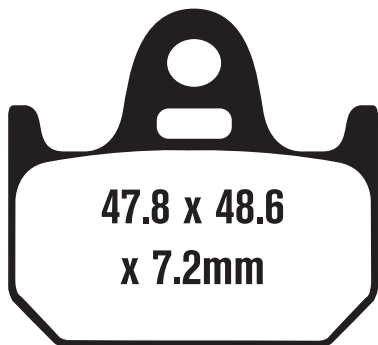
| | |
|------------|------------|
| 43082 1003 | 43082 1200 |
| 43082 1098 | 43082 1180 |
| 43082 1103 | 43082 1257 |
| 43082 1141 | 43082 1291 |

| | | |
|----------------|----------------|--------------------------|
| STD | FA161 | Black - Touring - Road |
| OPTIONS | FA161HH | Sintered HH Sport - Road |

Dealer Stocking Recommendation

| | | |
|--------------------|---------------------|---------------------------|
| <u>Single/Pair</u> | <u>Popularity #</u> | <u>Rec Stocking Level</u> |
| 1 | K9 | 2 |

FA162



YAMAHA
TZ 125
TZ 250

94- R
89- R

Competitor X Ref

| | | |
|-------------------|--------------------|--------------------------|
| SBS 659 | Vesrah - | Ferodo FDB2194 |
|-------------------|--------------------|--------------------------|

Equivalents OE#

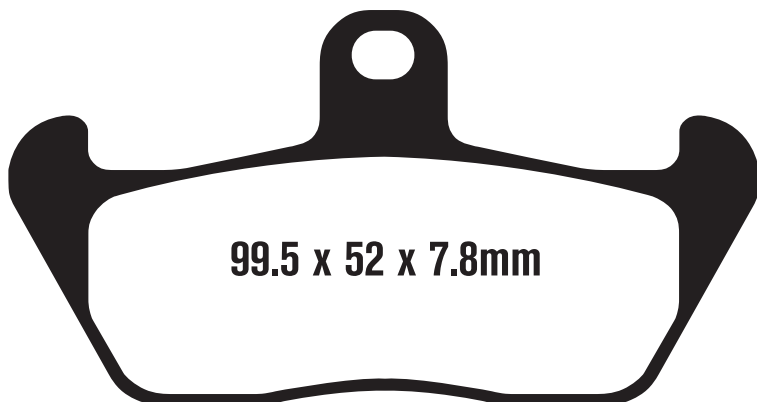
| | |
|--------------|--------------|
| 3CL W0046 00 | 3LC W0046 00 |
| 3LC 25811 50 | 4TW W0046 00 |

Dealer Stocking Recommendation

| Single/Pair | Popularity # | Rec Stocking Level |
|-------------|--------------|--------------------|
| 1 | - | 0 |

STD FA162 Black - Road

FA163



CAGIVA
Elefant 650
MOTO GUZZI
Quota 1000

86-87 R
92-97 R

Competitor X Ref

| | | |
|-------------------|------------------------|-------------------------|
| SBS 641 | Vesrah VD927 | Ferodo FDB529 |
|-------------------|------------------------|-------------------------|

Equivalents OE#

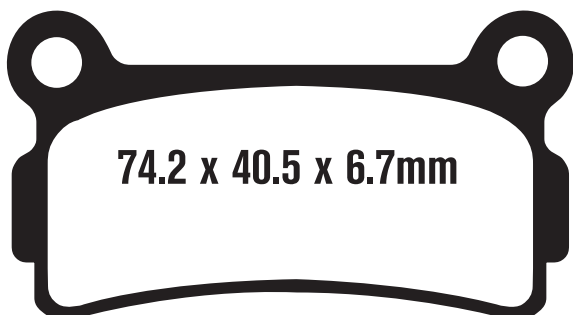
| |
|----------------|
| 00 306 546 300 |
|----------------|

Dealer Stocking Recommendation

| Single/Pair | Popularity # | Rec Stocking Level |
|-------------|--------------|--------------------|
| 1 | - | 0 |

STD FA163 Black - Road Touring

FA164



BETA
260 TR34/35/Zero

89-92 R

Equivalents OE#

| |
|-----|
| N/A |
|-----|

Competitor X Ref

| | | |
|-------------------|------------------------|--------------------|
| SBS 636 | Vesrah VD938 | Ferodo - |
|-------------------|------------------------|--------------------|

Dealer Stocking Recommendation

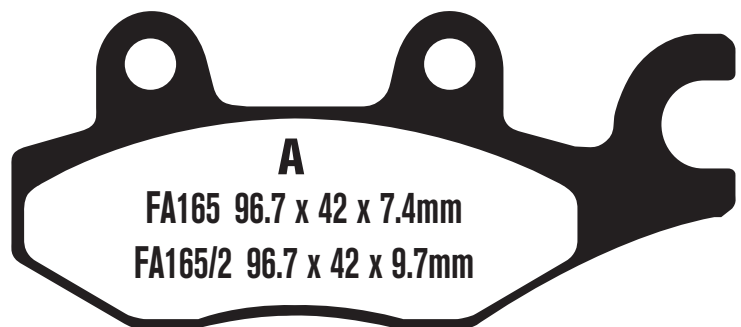
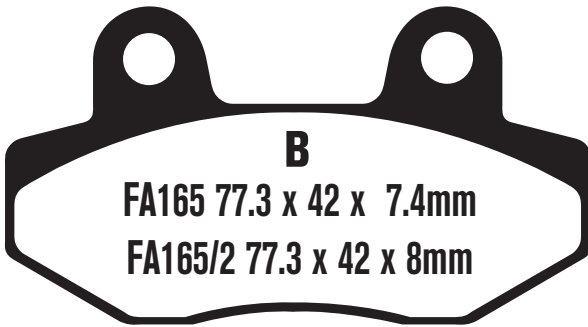
| Single/Pair | Popularity # | Rec Stocking Level |
|-------------|--------------|--------------------|
| 1 | - | 0 |

STD FA164X Black - Off Road
OPTIUS FA164R Sintered Off Road Utility

All part numbers, prefixes and suffixes shown in this catalog are unique and form a registered copyright as the property of EBC Brakes and its UK trademark owners

FA165

FA165/2



FA165

KAWASAKI ATV

| | | |
|--|----------|--------|
| KLF 300 C1-C17 Bayou (Right) | 89-05 | F Left |
| KLF 400 B1-B7 Bayou (Right) | 93-99 | F Left |
| KVF 650 H7F/H8F Brute Force 4x4i | 07-08 | F Left |
| KVF 650 F6F/F7F/F8F/F9F/FAF/FBF Brute Force 650 4x4i | 06-11 | F Left |
| KVF 650 G6F/G7F/G8F/G9F/FGAF Brute Force 650 4x4i Hardwoods Green HD | 06-10 | F Left |
| KVF 750 A1/B6F/B7FA/A6F/C7F/D8F/F8F/D9F/DAF/DBF Brute Force 750 4x4 | 05-11 | F Left |
| KVF 750 A1/A6F/A7F Brute Force 750 4x4i | 05-07 | F Left |
| KVF 750 B6F/B7F/B7FA Brute Force 750 4x4i | 06-07 | F Left |
| KVF 750 F8F/FAF/FBF Brute Force 750 4x4i | 08/10-11 | F Left |
| KVF 750 B1/E8F/E9F Brute Force 750 4x4i Hardwoods Green HD | 05/08-09 | F Left |
| KVF 750 E8FA/E9FA/EAF Brute Force 750 4x4i NRA Outdoors | 08-09 | F Left |
| KRF 750 A8F/B8F (Teryx 750 4x4) | 08 | F Left |
| KRF 750 C8F/D8F (Teryx 750 4x4 LE) | 08 | F Left |
| KRF 750 F8F (Teryx 750 4x4 NRA Outdoors) | 08 | F Left |
| KRF 750 G9F/NAF/NBF (Teryx 750 Fi 4x4) | 09-11 | F Left |
| KRF 750 J9FA/K9F/PAF/PBF/RAF/RBF (Teryx 750 Fi 4x4 LE) | 09-11 | F Left |
| KRF 750 L9F (Teryx 750 Fi 4x4 Le Sport) | 09 | F Left |
| KRF 750 M9F (Teryx 750 Fi 4x4 NRA Outdoors) | 09 | F Left |
| KRF 750 SAF/SAFA/SBF/SBFA (Teryx 750 Fi 4x4 Sport) | 10-11 | F Left |
| KRF 750 TAF (Teryx 750 Fi 4x4 SGO) | 10 | F Left |

SUZUKI ATV

| | | |
|--|-------|--------|
| LT-F 300 FK2 King Quad | 02 | F Left |
| LT-R 450 K6/K7/K8/K9 | 06-11 | F Left |
| LT-F 500 FW/FX/FY/FK1/FK2 Quadrunner (Right) | 98-02 | F Left |
| LT-A 500 FY/FK1 Quadmaster (Right) | 00-01 | F Left |
| LT-R 450 ZK8/ZK9 Quad Racer Ltd Edition | 08-09 | F Left |

YAMAHA ATV

| | | |
|--------------------------------------|-------|--------|
| KRF 750 SAF (RUV) Teryx 4x4 Le Sport | 10 | F Left |
| YFZ 450 S/T/V/W/X/Y | 04-09 | F Left |
| YFZ 450 RY/RZ/RA | 09-11 | F Left |
| YFZ 450 XZ/XA | 10-11 | F Left |

| | | |
|---|----------|-----------------|
| YFZ 450 X SEA | 11 | F Left |
| YFZ 450 RSEA | 11 | F Left |
| YXR 450 Rhino (All models) | 06-09 | F Left |
| YZF 450 SEW Special Edition | 07 | F Left |
| YZF 450 BBW Bill Balance Edition | 07 | F Left |
| YZF 450 SEW/SPX Special Edition | 07-08 | F Left |
| YXR 660 Rhino | 04-07 | F Left |
| YFM 700 RV/RW/RX/RY/RA Raptor | 06-09/11 | F Left |
| YFM 700 RSEW/RSPX/RSPY/RSEA Special Edition | 07-11 | F Left |
| YXR 700 Rhino (All models) | 08-09/11 | F Left & R Left |
| CAN-AM QUADS | | |
| Commander 800 R | 11 | F Left |
| Commander 1000 | 11 | F Left |
| Commander 1000 XT | 11 | F Left |
| Commander 1000 X | 11 | F Left |
| E-TON QUADS | | |
| CXL 150 Yukon II/Challenger | 02-09 | R |
| RXL 150 Viper R | 05-09 | R |
| RXL 150 Viper | 05-06 | R |
| FA165/2 | | |
| MZ | | |
| RT 125 | 02-05 | R |
| SX/SM 125 | 02-05 | R |
| CAGIVA ROAD BIKE | | |
| Gran Canyon 900 | 99-00 | R |
| LIFAN | | |
| LF 200 GY-S | 05-08 | R |

Competitor X Ref

| | | |
|-------------------|---|----------------------------------|
| SBS 638 | Vesrah VD250 = 165 VD250/2 = | 165/2 Ferodo FDB631 |
|-------------------|---|----------------------------------|

Dealer Stocking Recommendation

| Single/Pair | Popularity # | Rec Stocking Level |
|-------------|--------------|--------------------|
| 1 | FA165X - K25 | 1 |

Equivalents OE#

FA165/2

| |
|----------------|
| A45120 168 000 |
| 5B4 W0045 00 |

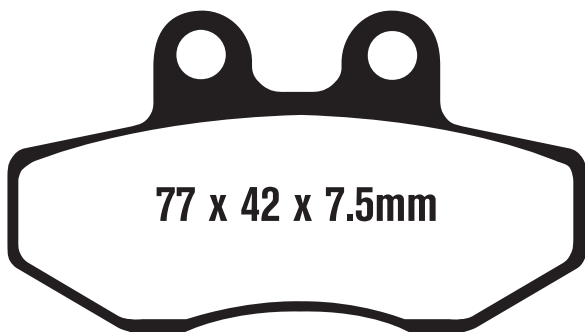
Equivalents OE# FA165

| | |
|--------------|--------------|
| 43082 0023 | 5TG W0045 10 |
| 43082 1094 | 5TG W0045 30 |
| 3LD W0046 00 | 3LD W0046 10 |
| 59300 09840 | 3304-567 |
| 59300 09850 | 43082 0069 |
| 5B4 W0045 00 | 715500335 |

| | | |
|----------------|----------------|---------------------------|
| STD | FA165X | Red - Off Road |
| OPTIONS | FA165R | Sintered Off Road Utility |
| | FA165SV | Sintered ATV Severe Duty |
| | MXS165 | Sintered Off Road Sport |

| | | |
|----------------|------------------|---------------------------|
| STD | FA165/2X | Red - Off Road |
| OPTIONS | FA165/2R | Sintered Off Road Utility |
| | FA165/2SV | Sintered ATV Severe Duty |

FA167



77 x 42 x 7.5mm

Equivalents OE#

| | |
|---------|---------------|
| 8113373 | 00H 0470 2141 |
| 8113604 | |

| | | |
|------------------|-------|---|
| BETA | | |
| RR 50 Motard | 06 | F |
| GAS-GAS | | |
| EC 50 (Rookie) | 01-04 | F |
| SM 50 (Rookie) | 01-04 | F |
| PEUGEOT | | |
| XR 6 50cc | 03-05 | F |
| DERBI | | |
| GPR 50 Replica | 03-05 | F |
| HUSQVARNA | | |
| SM 50 | 02 | F |
| WR 50 | 02 | F |
| WXE 125 | 07 | F |

Competitor X Ref

| | | |
|-------------------|-------------------------|-------------------------|
| SBS 652 | Vesrah FDB167 | Ferodo FDB706 |
|-------------------|-------------------------|-------------------------|

| | | |
|----------------|----------------|----------------------------|
| STD | FA167 | Black - Road |
| OPTIONS | FA167HH | Sintered HH - Sport - Road |

Dealer Stocking Recommendation

| | | |
|-------------------------|--------------------------|--------------------------------|
| Single/Pair 1 | Popularity # - | Rec Stocking Level 0 |
|-------------------------|--------------------------|--------------------------------|

FA168 Use FA252

FA169



61.1 x 27.1
x 7.3mm

Equivalents OE#

| | |
|--------------|---------------|
| 3XG W0045 00 | 45120 107 000 |
| 2NA W0045 01 | 750003 |
| 5CP W0045 00 | |

Competitor X Ref

| | | |
|-------------------|------------------------|-------------------------|
| SBS 619 | Vesrah VD247 | Ferodo FDB636 |
|-------------------|------------------------|-------------------------|

| | | |
|---------------------------|-------------|-----|
| ADLY | | |
| Fox 50 | 07-09 | F |
| E-TON | | |
| Beamer 50 (PN2) | 04-08 | F |
| Beamer II (PN2B) | | F |
| Beamer 50 III | 09 | F |
| Beamer Matrix (PN2C) | | F |
| Beamer Matrix II (PN2E) | | F |
| YAMAHA | | |
| YW 50 P/R/S/T/X/Y/Z Zuma | 02-05/08-10 | F |
| THUMPSTAR | | |
| Thumpstar Junior 90cc | 04-07 | F&R |
| Thumpstar Supa 110cc | 04-07 | F&R |
| Thumpstar Expert 125 | 06-07 | F&R |
| Thumpstar Pro 125 | 05-07 | F&R |
| UM (UNITED MOTORS) | | |
| DTF 50 | 06-08 | F |

Dealer Stocking Recommendation

| | | |
|-------------------------|----------------------------|--------------------------------|
| Single/Pair - | Popularity # N/A | Rec Stocking Level - |
|-------------------------|----------------------------|--------------------------------|

| | | |
|----------------|----------------|----------------|
| STD | FA169 | Black - Road |
| OPTIONS | FA169HH | Sintered Sport |

FA170



USE FA407

Equivalents OE#

34 11 2 310 983

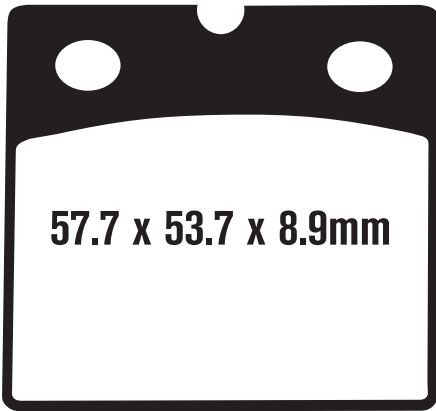
Competitor X Ref

| | | |
|-------------------|------------------------|-------------------------|
| SBS 644 | Vesrah VD941 | Ferodo FDB605 |
|-------------------|------------------------|-------------------------|

Dealer Stocking Recommendation

| | | |
|-------------------------|----------------------------|--------------------------------|
| Single/Pair 2 | Popularity # N/A | Rec Stocking Level 2 |
|-------------------------|----------------------------|--------------------------------|

FA171



57.7 x 53.7 x 8.9mm

BMW

| | | |
|--------------------------------|-------------|---|
| R 80/R 80 RT (Double disc) | 09/88-95 | F |
| R 100 RS | 09/88-92 | F |
| R 100 RT | 09/88-95 | F |
| K 75/75-2 (Non ABS) | 09/88-96 | F |
| K 75/75-2 (ABS Model) | 08/90-96 | F |
| K 75 C | 09/88-02/88 | F |
| K 75 RT | 89-96 | F |
| K 75 S | 09/88-95 | F |
| K 100/2 | 09/88-90 | F |
| K 100 LT | 09/88-91 | F |
| K 100 RS (Non ABS - 8 valve) | 10/88-89 | F |
| K 100 RS (ABS Model - 8 valve) | 10/88-89 | F |
| K 100 RT (Non ABS - 8 valve) | 10/88-89 | F |
| K 100 RT (ABS - 8 valve) | 10/88-89 | F |

Equivalents OE#

| | |
|-----------------|-----------------|
| 34 11 2 310 494 | 34 11 2 331 175 |
| 34 11 2 311 175 | 34 11 2 314 546 |

Competitor X Ref

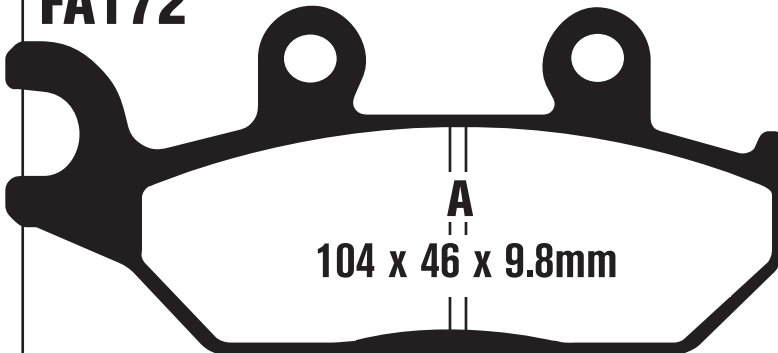
| | | |
|-------------------|------------------------|-------------------------|
| SBS 640 | Vesrah VD934 | Ferodo FDB736 |
|-------------------|------------------------|-------------------------|

| | | |
|----------------|----------------|--------------------------|
| STD | FA171 | Black - Touring - Road |
| OPTIONS | FA171HH | Sintered HH Sport - Road |

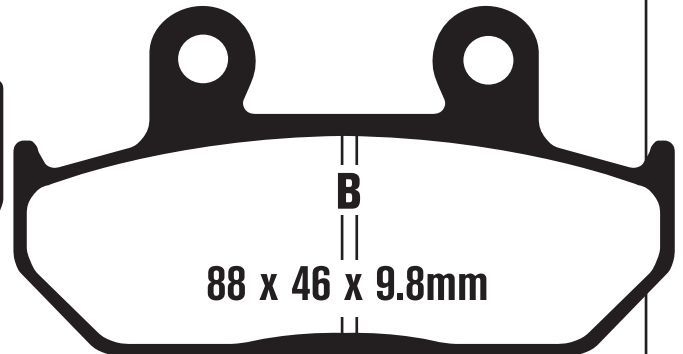
Dealer Stocking Recommendation

| | | |
|-------------------------|----------------------------|--------------------------------|
| Single/Pair 1 | Popularity # N/A | Rec Stocking Level 1 |
|-------------------------|----------------------------|--------------------------------|

FA172



A
104 x 46 x 9.8mm



B
88 x 46 x 9.8mm

YAMAHA DIRT BIKE

| | | |
|--|-------|---|
| XT 600 EA/EB/ED/EDC/EE/EEC/EF/EFC/EG/EGC | 90-95 | F |
|--|-------|---|

Equivalents OE#

| | |
|--------------|--------------|
| 3YF W0045 00 | 3TB W0045 00 |
|--------------|--------------|

Competitor X Ref

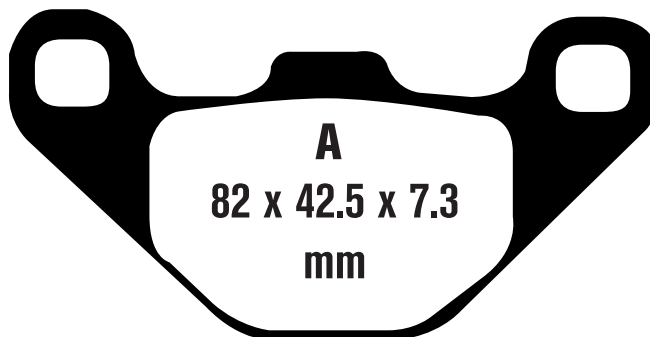
| | | |
|-------------------|------------------------|-------------------------|
| SBS 650 | Vesrah VD252 | Ferodo FDB737 |
|-------------------|------------------------|-------------------------|

| | | |
|----------------|---------------|---------------------------|
| STD | FA172X | Red - Off Road |
| OPTIONS | FA172R | Sintered Off Road Utility |

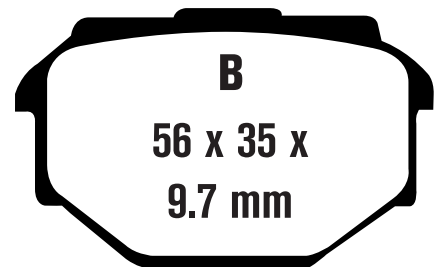
Dealer Stocking Recommendation

| | | |
|-------------------------|--------------------------|--------------------------------|
| Single/Pair 1 | Popularity # - | Rec Stocking Level 1 |
|-------------------------|--------------------------|--------------------------------|

FA173



A
82 x 42.5 x 7.3 mm



B
56 x 35 x 9.7 mm

APRILIA

| | | |
|----------------------------|-------|---|
| Pegaso 650 ie (All models) | 99-04 | R |
|----------------------------|-------|---|

MZ

| | | |
|--------------------------|-------|---|
| Mastiff 660 | 00-03 | R |
| Baghira 660 (All models) | 00-05 | R |

Equivalents OE#

| |
|--|
| |
|--|

Competitor X Ref

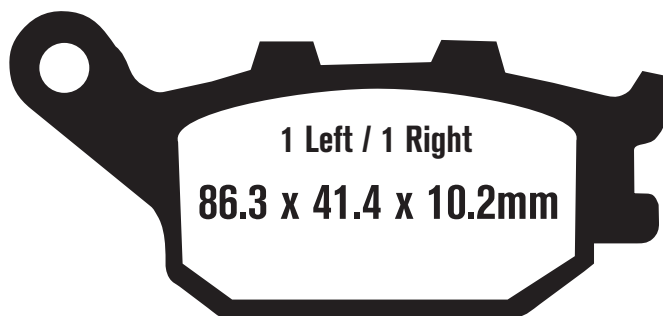
| | | |
|-------------------|------------------------|-------------------------|
| SBS 684 | Vesrah VD425 | Ferodo FDB828 |
|-------------------|------------------------|-------------------------|

Dealer Stocking Recommendation

| | | |
|-------------------------|--------------------------|--------------------------------|
| Single/Pair 1 | Popularity # - | Rec Stocking Level 1 |
|-------------------------|--------------------------|--------------------------------|

| | | |
|------------|--------------|------------------------|
| STD | FA173 | Black - Touring - Road |
|------------|--------------|------------------------|

FA174



Competitor X Ref

| SBS | Vesrah | Ferodo |
|-----|--------|--------|
| 657 | VD163 | FDB754 |

Equivalents OE#

| | |
|-----------------|--------------|
| 43082 0073 | 69100 16851 |
| 43105/6 MV9 008 | 69100 06830 |
| 43105 MW0 405 | 5XV W0046 00 |

Dealer Stocking Recommendation

| Single/Pair | Popularity # | Rec Stocking Level |
|-------------|--------------|--------------------|
| 1 | H14 | 1 |

| | | |
|----------------|----------------|---------------------------------|
| STD | FA174 | Black - Touring - Road |
| OPTIONS | FA174HH | Sintered HH Sport - Road |

HONDA ROAD BIKE

| | | |
|--|-------|---|
| 599 (CB 600 F) | 04/06 | R |
| CBR 600 F2/F3/SJR/SE | 91-98 | R |
| CBR 600 F4/F4i Sport | 99-06 | R |
| CBR 600 RR | 03-06 | R |
| 919 (CB 900 F) | 02-07 | R |
| CBR 900 RR Fireblade | 93-99 | R |
| CBR 929 RR (929cc model) | 00-01 | R |
| CBR 954 RR (954cc model) | 02-03 | R |
| CB 1000 | 94-95 | R |
| CBR 1000 RR | 04-05 | R |
| RVT 1000 R (RC51) | 00-05 | R |
| VTR 1000 F 'Superhawk' | 98-05 | R |
| VT 1100 C2 American Classic Edition/C2-2/C3 | | |
| /C2 Sabre | 95-07 | R |
| VT 1100 T Shadow American Classic Edition Tourer | 98-01 | R |
| VT 1300 CXA Fury (Non ABS Model) | 10-01 | R |
| VTX 1300 S | 03-07 | R |
| VTX 1300 C | 04-11 | R |
| VTX 1300 R | 05-11 | R |
| VTX 1300 T | 08-11 | R |

KAWASAKI

| | | |
|--------------------------|-------|---|
| Z 1000 (ZR 1000 B7F) | 07 | R |
| Z 1000 (ABS) ZR 1000 C7F | 07 | R |
| ZR 1000 B7F/B8F | 07-08 | R |

SUZUKI

| | | |
|---|-------|---|
| DL 650 V-Strom K4/K5/K6/K7/K8/K9 | 04-09 | R |
| DL 650 AK7/AK8/AK9/AL1 V-Strom (ABS Model) | 07-11 | R |
| GSX 650 FK8/FK9/FLO | 08-09 | R |
| SV 650 K3/SK3/K4/SK4/K5/SK5/K6/SK6/K7/SK7/SK8/K8/K9 | 03-10 | R |
| SV 650 AK7/AK8/K7/K8/K9/AK9 ABS | 07-10 | R |
| SV 650 SAK7/SAK8/SAK9 ABS | 07-10 | R |
| DL 1000 K2/K3/K4/K5/K6/K7/K8/K9 V-Strom | 02-09 | R |
| SV 1000 K3/SK3/K4/SK4/K5/SK5/SK6/SK7 | 03-07 | R |
| GSF 1250 SAK7/SAK8/SAK9 (ABS) | 07-10 | R |
| GSF 1250 SK7/SK8/SK9 Bandit | 07-10 | R |
| GSX 1250 FAL1 | 11 | R |

YAMAHA

| | | |
|---|-------|---|
| YZF 600 RRR/RRS (R6) | 03-04 | R |
| FZ6 | 04-06 | R |
| FZ6 V/X/Y (4 piston caliper) | 07-09 | R |
| YZF-R1 (5VY) | 04-06 | R |
| YZF R1 LE | 06 | R |
| (FZ1) FZS 1000 V/W/X/Y/Z/A | 06-11 | R |
| YZF-1 (6 piston caliper) | 07-10 | R |
| YZF-R6 T/V/W (310mm rotor) | 05-07 | R |
| YZF-R6S (YZFR6 SV/SW/SX/SY) (298mm rotor) | 06-09 | R |
| YZF-R6 X/Y/Z/A | 08-11 | R |
| YZF-R1 (6 piston radial caliper) | 09-11 | R |
| FZ8 | 11 | R |

FA175



HARRISON BILLET

4/6 Piston light weight design

ISR CALIPER

| | |
|--------------------------|---|
| 22-032 (6 piston large) | F |
| 22-042 (6 piston racing) | F |

Competitor X Ref

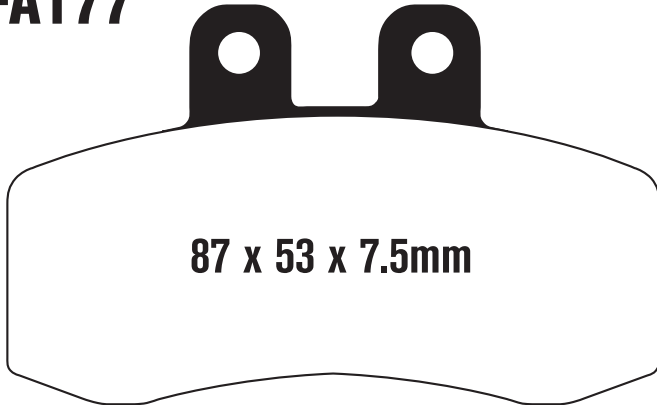
| SBS | Vesrah | Ferodo |
|-----|--------|--------|
| 656 | - | FRP415 |

| | | |
|----------------|------------------|---------------------------------|
| STD | FA175 | Black - Touring - Road |
| | FA175HH | Sintered HH Sport - Road |
| OPTIONS | RFA175 | Green Race |
| | CFK175 | Organic Sport |
| | EPFA175HH | Sintered HH Race |

Dealer Stocking Recommendation

| Single/Pair | Popularity # | Rec Stocking Level |
|-------------|--------------|--------------------|
| 1 | H14 | 1 |

FA177



87 x 53 x 7.5mm

MZ

| | | |
|--------------------------|-------|---|
| Mastiff 660 | 00-03 | F |
| Baghira 660 (All models) | 00-05 | F |

Competitor X Ref

| | | |
|-------------------|------------------------|-------------------------|
| SBS 681 | Vesrah VD982 | Ferodo FDB782 |
|-------------------|------------------------|-------------------------|

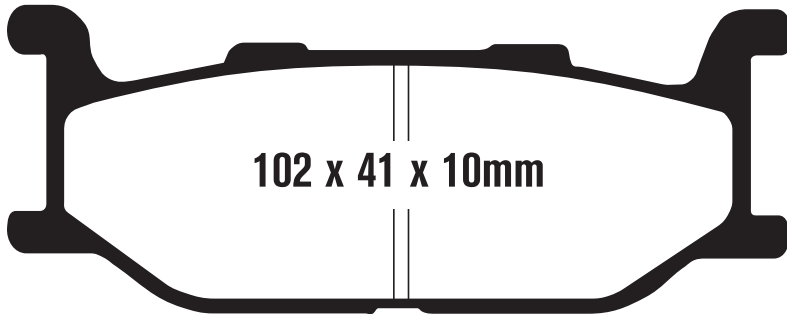
Dealer Stocking Recommendation

| Single/Pair | Popularity # | Rec Stocking Level |
|-------------|--------------|--------------------|
| 1 | - | 1 |

STD FA177 Black - Touring - Road

BUYERS GUIDE
BRAKE PADS

FA179



102 x 41 x 10mm

YAMAHA ROAD BIKE

| | | |
|--|----------|---|
| XJ 400 S "Seca II" | 93 | F |
| XP 400 T/V/W/X/Y/Z Majesty | 05-10 | F |
| XV 535 G/GC/SG/SGC/H/HC/SH/SHC J/JC/SJ/SJC/K | 95-99 | F |
| XJ 600 S "Seca II" SD/SDC/SE/SEC/ SF/SFC/SG/SGC/SH/SHC/ /SJ/SJC/SK/SKC | 92-98 | F |
| XVS 650 V Star Custom | 97-11 | F |
| XVS 650 V-Star Classic | 98-10 | F |
| XVS 650 V-Star Silverado | 03-10 | F |
| XVS 950 (V-Star 950) | 09-11 | F |
| XVS 950 (V-Star 950 Tourer) | 09-11 | F |
| XVZ 1300 Royal Midnight Venture Star | 02-07 | F |
| XVZ 1300 Royal Star Tour Deluxe | 06-08 | F |
| XVZ 1300 Royal Star Tour Deluxe | 05-07 | F |
| XVZ 1300 Venture MM Limited Edition | 01 | F |
| XVZ 1300 Royal Star Midnight Venture | 02-07 | F |
| XVS 1300 Stryker | 11 | F |
| XVZ 1300 Royal Star Venture S | 08/10-11 | F |
| XVZ 1300 Royal Star Venture | 99-07 | F |
| XV 1300 Royal Star Midnight Tour Deluxe | 06-07 | F |
| XV 1600 Road Star | 01-05 | F |
| XV 1600 Road Star Silverado | 07-09 | F |
| XV 1600 Road Star Midnight | 03 | F |
| XV 1600 Midnight Star | 02-03 | F |

Competitor X Ref

| | | |
|-------------------|------------------------|-------------------------|
| SBS 663 | Vesrah VD255 | Ferodo FDB781 |
|-------------------|------------------------|-------------------------|

Equivalents OE#

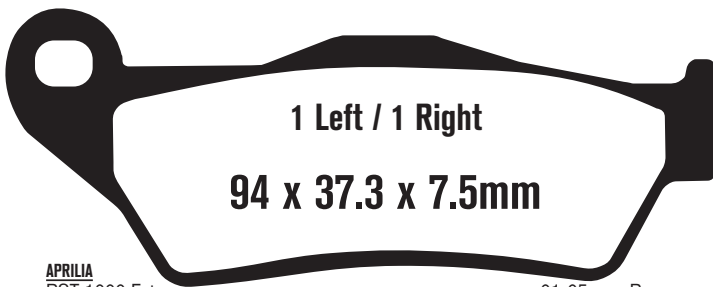
| | |
|--------------|--------------|
| 3YX W0045 00 | 4WM W0045 00 |
| 4BP W0045 00 | 5BN W0045 00 |
| 4KM W0045 00 | 5RU W0045 00 |
| 4TR W0045 00 | |

| |
|---|
| STD FA179 Black - Touring - Road |
| OPTIONS FA179HH Sintered HH Sport - Road |

Dealer Stocking Recommendation

| Single/Pair | Popularity # | Rec Stocking Level |
|-------------|--------------|--------------------|
| 1 | Y25 | 1 |

FA181



1 Left / 1 Right
94 x 37.3 x 7.5mm

APRILIA

RST 1000 Futura 01-05 R

BMW

G 450 X 08-11 F

GAS-GAS

Wild HP 300/450 03-06 F&R

HUSABERG

All Models (fixing pin at end of brake pad) 93-99 F

All MX/Enduro Models 00-11 F

ATK

All Models 97- F

125 (2 stroke enduro) 03 F

250/260 (2 stroke enduro) 03 F

450 MX 07 F

450 XC 07 F

Enduro 450 07 F

| | | |
|----------------------|----|---|
| 500 Enduro | 03 | F |
| 605 Enduro | 03 | F |
| 700 (2T) Intimidator | 04 | F |
| 620 (2T) Intimidator | 04 | F |
| 500 (2T) | 04 | F |
| 370 (2T) | 04 | F |
| 250 (2T) | 04 | F |

DUCATI

Monster 400 ie (Japan) 07-08 F

Monster S2R (803cc) 05-07 F

Monster S2R Dark (803cc) 05-06 F

Multistrada Dark 620 03-05 F

Monster 620 05-06 F

Multistrada 620 05-06 F

Monster 695 06-09 F

GAS-GAS

Enduros 125/250 00 F

Enduro EC 200/250/300 99-00 F

MX 200/250/300 99-00 F

HUSQVARNA

CR 125 95-11 F

SM 125 98-00 F

SMS 125 (2T) 02-11 F

SMS-4-125 (4T) 10-11 F

TE 125 11 F

WR 125 95-10 F

WRE 125 93-11 F

CR 250 95-05 F

TC 250 02-11 F

All part numbers, prefixes and suffixes shown in this catalog are unique and form a registered copyright as the property of EBC Brakes and its UK trademark owners

FA181

TE 250
 TXC 250 Cross Country
 WR 250
 WR 300
 TE 310 (4T)
 TE 350
 WR 360
 TE 400
 TE 410
 TE 410
 TE 410 E
 TC 449
 TE 449 (4T)
 TE 450
 TE 450
 TXC 450 Cross Country
 TC 510
 TE 510
 TXC 510 Cross Country
 TE 511 (4T)
 TC 570
 TE 570
 TC 610/E
 TC 610
 TE 610
 TE 610/E
 TE 610/IE
 TE 630
KTM
 SX 125
 XC/EXC
 SX 150
 XC 150
 XC-W 200
 XC 200
 SX 250
 SX-F 250
 XC/EXC 250
 XC/EXCF 250
 XC-F 250
 XC-F-W 250
 XCF-W 250
 XCF-W 250 Six Days
 XC 250
 XC 250
 XC-W 250
 XC-W 250
 EGS 300 (Standard forks)
 EXC 300 (Standard Forks)
 EXC 300
 EXC 300 (Upside down forks)
 MXC 300 (Standard forks)
 MXC 300 (Upside down forks)
 SX 300
 XC 300
 XC-W 300
 XC-W 300
 XC 300
 XC-W 300
 EXC 350 LC4
 EXC-R 530
 EXC 350/SX 350
 SX-F 350
 EXC 380/SX 380
 EGS 400/EGS-E/LSE
 EXC/EGS 400
 EXC 400 Racing
 LC4-E 400 Enduro
 SC 400 (Supercompetition LC4)
 SX 400
 XC/EXC 400
 XC-W 400
 XC-W 400
 EXC 440
 SX 440
 EXC 450/SX 450
 EXC 450 (4T)
 EXC 450
 SX-F 450

02-11 F
 08-11 F
 95-11 F
 09-10 F
 09-11 F
 95-97 F
 95-02 F
 02 F
 95-00 F
 06 F
 00 F
 11 F
 11 F
 03-05 F
 06-11 F
 08-10 F
 04-09 F
 04-10 F
 08-11 F
 11 F
 02-03 F
 01-04 F
 95-99 F
 00 F
 00 F
 95-03 F
 06-09 F
 10-11 F
 94-11 F
 04-08 R
 08-11 F
 10-11 F
 06-11 F
 06-08 F
 94-11 F
 06-11 F
 94-07 F
 06-07 F
 06-08 F
 06-08 F
 10 F
 11 F
 06-08 F
 10-11 F
 06-08 F
 10 F
 94-98 F
 94-98 F
 04-07 F
 99-05 F
 94-98 F
 99-06 F
 94-96 F
 06-08 F
 06-08 F
 10 F
 10-11 F
 10-11 F
 94-95 F
 08 F
 96-97 F
 11 F
 98-03 F
 96-99 F
 00-02 F
 00 F
 00-01 F
 96-99 F
 00-02 F
 04-07 F
 08-09 F
 10-11 F
 94-95 F
 94-95 F
 03-07 F
 09-10 F
 10-11 F
 03-11 F

EXC-R 450
 TC 450
 XCR-W 450
 XC-F 450
 450 XC-W (4T) Six Days/Champion Edition
 XC-W 450 Six Days
 MX 500
 XC-F 505
 EXC 520/SX 520
 EXC 525
 MXC 525
 SX 525
 XC 525 Desert Racing
 EXC 530 (4T)
 EXC 530
 XCR-W 530
 XC-W 530 Six Day
 XC-W 530 (4T) Six Days
 MXC 550
 EGS 620 Enduro/EGS0E/LSE
 EGS-E 620 Adventure/Rallye
 LC4 620 SC Supermoto
 SC 620 Supercompetition
 SX 620 EXC/EGS
 SX EXC/EGS 620
 SX 620
 LC4 625 SC Supermoto/Supercompetition
 SXC 625
 LC4-E 640 Enduro/Supermoto
 LC-4 640 Adventure
 LC-4 Adventure
 LC-R 640 Adventure R
 690 Enduro
 950 Supermoto
 950 Adventure/S
 SX-F 505
 990 Adventure
 990 Adventure S
 990 Adventure R
 990 SM-T
 990 SM-R
MAICO/M-STAR
 Disc models
MOTO GUZZI
 Bresa V1100
 Bresa 1100 (Non ABS Model)
 Griso 1100
 Quota 1100 ES
 Bresa 1200 Sport
 Griso 1200 8V
 Norge 1200
 Stevlio 1200 (4V/ABS)
PIAGGIO
 X9 500
SHERCO DIRT
 2.5i Enduro
 4.5i Enduro
 4.5 Supermoto
 5.1i Enduro
TM
 MX Models 85/100
 MX Models 125/250/300
 MX 144 (2T)
 MX 450 F
 MX 530 F (4T)
 EN 125 (2T)
 EN 250 (2T)
 EN 250 F-ES (4T)
 EN 300 (2T)
 EN 450 F-ES (4T)
 EN 530 F-ES (4T)
VERTEMATI
 495
 C 450/500/570 (MX)
 E 450/501/570 (Enduro)
VOR
 MX 450/530
 EN/EN-E 450/530

08 F
 03-11 F
 08 F
 08 F
 10 F
 10-11 F
 92-95 F
 08 F
 01-03 F
 03-07 F
 03-04 F
 03-05 F
 07 F
 09-11 F
 10-11 F
 08 F
 10-11 F
 10 F
 96 F
 96-99 F
 99 F
 00 F
 96-00 F
 94 F
 95 F
 96-99 F
 02 F
 03-06 F
 00-04 F
 01-03 F
 04-05 F
 00 F
 08 F
 05-08 R
 04-06 R
 07 F
 07-11 R
 07-08 R
 10-11 R
 09-11 R
 09-11 R
 97-99 F
 05-08 R
 05-07 R
 05-08 R
 99-01 R
 08 R
 09-11 R
 06-11 R
 09-11 R
 05-09 F
 05-10 F
 05-10 F
 04-07 F
 05-10 F
 02-08 F
 02-08 F
 07-08 F
 04-08 F
 04-08 F
 01-08 F
 01-08 F
 01-08 F
 04-08 F
 04-08 F
 99-02 F
 03-04 F
 03-04 F
 04 F
 04 F

Equivalents OE#

| | | |
|----------------|--------------|----------------|
| 546 13 209 044 | 070044 | 8133516 |
| 8170074181 | 000306546250 | GU05654630 |
| 800096934 | 6134 072 1A | 770 13 020 000 |

Competitor X Ref

| | | |
|-------------------|------------------------|--------------------------|
| SBS 671 | Vesrah VD947 | Ferodo FDB2018 |
|-------------------|------------------------|--------------------------|

Dealer Stocking Recommendation

| | | |
|-------------------------|--------------------------|--------------------------------|
| Single/Pair 1 | Popularity # - | Rec Stocking Level 1 |
|-------------------------|--------------------------|--------------------------------|

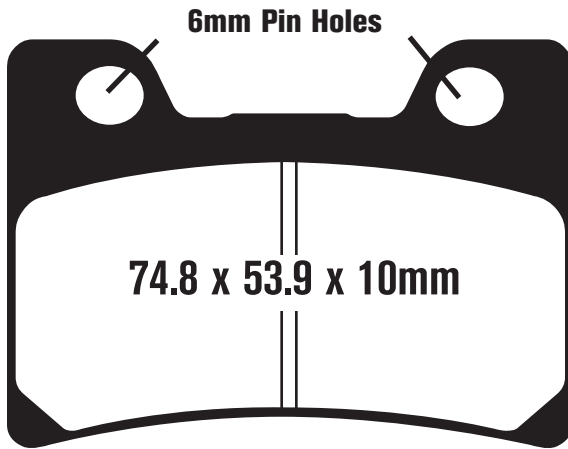
| | | |
|----------------|------------------|---------------------------|
| STD | FA181X | Red - Off Road |
| OPTIONS | FA181R | Sintered Off Road Utility |
| | MXS181 | Sintered Off Road Race |
| | FA181HH | Sintered HH Sport Road |
| | EPFA181HH | Sintered Off Road Race |

All part numbers, prefixes and suffixes shown in this catalog are unique and form a registered copyright as the property of EBC Brakes and its UK trademark owners

FA182

YAMAHA ROAD BIKE
FZR 1000 EX-UP D/DC/E/EC

92-93 F



Equivalents OE# 3GM W0045 50

| Competitor X Ref | SBS | Vesrah | Ferodo |
|------------------|-----|--------|--------|
| | 665 | VD257 | FDB637 |

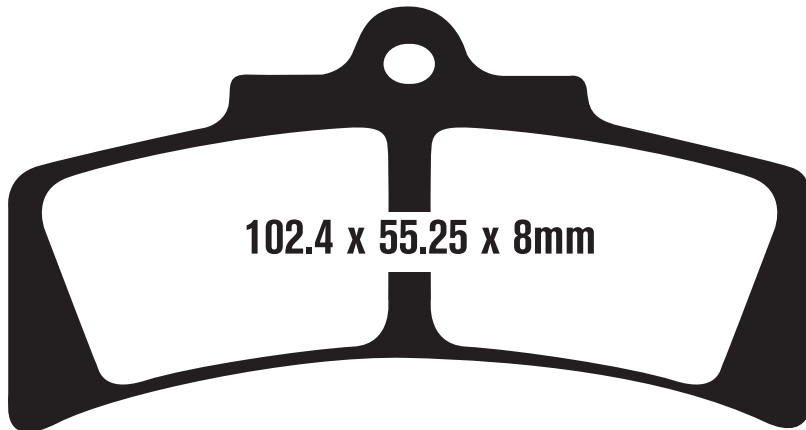
Dealer Stocking Recommendation

| Single/Pair | Popularity # | Rec Stocking Level |
|-------------|--------------|--------------------|
| 2 | Y30 | 2 |

| | | |
|---------|---------|--------------------------|
| STD | FA182 | Black - Touring - Road |
| OPTIONS | FA182HH | Sintered HH Sport - Road |

BUYERS GUIDE
BRAKE PADS

FA183



P.V.M.
6 piston old design caliper

Competitor X Ref

| SBS | Vesrah | Ferodo |
|-----|--------|--------|
| 694 | VD161 | FDB892 |

Dealer Stocking Recommendation

| Single/Pair | Popularity # | Rec Stocking Level |
|-------------|--------------|--------------------|
| 1 | - | 1 |

STD GFA183HH Sintered HH Race

FA184

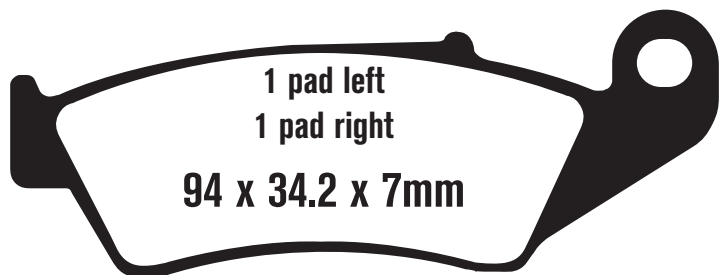


ISR Calipers
22-034 (6 piston small) F
22-036 (2 piston) F
22-043 (4 piston) F
Radial 6 piston monoblock F

Equivalents OE# ISR 29-002

STD FA184 Black - Touring - Road

FA185



HONDA ATV

| | | |
|--------------|-------|---|
| TRX 450 R/ER | 04-11 | F |
| TRX 700 XX | 08-11 | F |

HONDA DIRT BIKE

| | | |
|-----------------|-------|---|
| CR 125 R | 95-07 | F |
| CR 250 R | 95-07 | F |
| CRF 150 F | 07-11 | F |
| CRF 230 F | 03-11 | F |
| CRF 230 L | 08-11 | F |
| CRF 230 M | 09-11 | F |
| CRF 250 R/RA/RB | 04-11 | F |
| CRF 250 X | 04-11 | F |
| NX 250 | 88-90 | F |
| XR 250 L | 93-96 | F |
| XR 250 R | 96-04 | F |
| XR 400 R | 96-04 | F |
| CRF 450 R/RA/RB | 02-11 | F |
| CRF 450 X | 05-11 | F |
| TRX 450 R/ER | 04-06 | F |
| CR 500 R | 95-01 | F |
| XR 600 R | 93-00 | F |
| XR 650 R | 00-02 | F |
| XR 650 L | 93-11 | F |
| XR 650 R | 00-07 | F |

KAWASAKI DIRT BIKE

| | | |
|--|-------|---|
| KX 125 K1/K2/K3/K4/K5/L1/L2/L3/L4/M1-M3 | 94-05 | F |
| KDX 200 H1-H11/H6F | 95-06 | F |
| KDX 220 R A4-A12/A6F | 97-06 | F |
| KX 250 K1/K2/K3/K4/K5/L1-L4/M1/M2/R1/R6F/R7F | 94-07 | F |
| KX 250 N1/N2/T6F/T7F/T8F (KX 250 F) | 04-08 | F |
| KX 250 F (W9F/XAFB/YBF) (4T) | 09-10 | F |
| KLX 250 R D2/D3/D4 | 94-96 | F |
| KLX 250 S (KLX 250 H6F/H7F) | 06-07 | F |

KAWASAKI DIRT BIKE Contd.

| | | |
|-----------------------------------|-------|---|
| KLX 300 R A2-A10/A6F/A7F | 97-07 | F |
| KLX 400 SR (KLX 400 A1/A2) | 03-04 | F |
| KLX 400 R (KLX 400 B1/B2) | 03-04 | F |
| KLX 450 R (A8F/A9F/AAF/ABF) | 08-11 | F |
| KX 450 F (D6F/D7F/D8F) | 06-08 | F |
| KX 450 F (E9F/EAF/EBF) (4T) | 09-11 | F |
| KX 500 E6-E16 | 94-04 | F |
| KLX 650 R A1/A2/A3/C1/C2/C3/C4/D1 | 93-96 | F |

SUZUKI DIRT BIKE

| | | |
|--|-------|---|
| RM 125 T/V/W/X/Y/K1/K2/K3/K4/K5/K6/K7/K8 | 96-08 | F |
| DR-Z 250 K1/K2/K3/K4/K5/K6/K7 | 01-07 | F |
| RM 250 T/V/W/X/Y/K1/K2/K3/K4/K5/K6/K7/K8 | 96-08 | F |
| RMX 250 T/V/W/X/Y | 96-00 | F |
| RM-Z 250 K4/K5/K6/K7/K8/K9/L0/L1 | 04-11 | F |
| DR 350 V/W/X | 97-99 | F |
| DR 350 SEW/SEX | 98-99 | F |
| DR-Z 400 SY/SK1-SK9/SL1 | 00-11 | F |
| DR-Z 400 EY/EK1/EK2/K2/K3/EK3/K4/EK4 /K5/EK5/K6/EK6/EK7 | 00-07 | R |
| DR-Z 400 SMK5/SMK6/SMK7/SMK8/SMK9 | 05-10 | F |
| RM-Z 450 K5/K6/K7/ZK7/K8/K9/L0/L1 | 05-10 | F |
| DR 650 SET/SEV/SEW/SEX/SEY/SEK1/SEK2/SEK3 /SEK4/SEK5/SEK6/SEK7/SEK8/SEK9/SEL1 | 96-11 | F |

YAMAHA DIRT BIKE

| | | |
|---|-------|---|
| YZ 125 K/L/M/N/P/R/S/T/V/W | 98-07 | F |
| WR 250 FN/FP/FR/FS/FT/FV/FW/FX/FY/FZ/FA | 01-11 | F |
| WR 250 RX/RX/RZ/RA | 08-11 | F |
| YZ 250 K/L/M/N/P/FP/R/FR/S/FS/FT/T/FV/V/W | 98-07 | F |
| WR 400 FK/FL/FM | 98-00 | F |
| YZ 400 FK/FL | 98-99 | F |
| YZ 426 FM/FN/FP | 00-02 | F |
| WR 426 FN/FP | 01-02 | F |
| WR 450 FT/FV/FZ | 05-10 | F |
| YZ 450 FR/FS/FT/FV/FW | 03-07 | F |
| WR 450 FR/FS/FT/FV/FW/FX/FY/FZ/FA | 03-11 | F |

APRILIA DIRT

| | | |
|-------------|-------|---|
| RXV 4.5/5.5 | 06-11 | F |
|-------------|-------|---|

BETA DIRT

| | | |
|-------------------|-------|---|
| RR 250 4T | 05-08 | F |
| RR 400 4T | 05-11 | F |
| RS 400 Dual Sport | 08-11 | F |
| SM 400 Supermoto | 10-11 | F |
| RR 450 4T | 05-11 | F |
| RS 450 Dual Sport | 08-11 | F |
| SM 450 Supermoto | 10-11 | F |
| RS 520 Dual Sport | 08-11 | F |
| SM 520 Supermoto | 10-11 | F |
| RR 525 4T | 05-11 | F |

GAS-GAS

| | | |
|--------------------------------|-------|---|
| EC 125/200/250/300 | 01-09 | F |
| EC 125 (All models/2T) | 10-11 | F |
| MC 125 | 05 | F |
| MX 125/250 | 01-04 | F |
| EC 200/250/300 (All models/2T) | 10-11 | F |
| EC 450 | 09 | F |
| FSE 450 | 05-08 | F |
| EC 515 | 09 | F |

Competitor X Ref

| | | |
|-------------------|------------------------|-------------------------|
| SBS 694 | Vesrah VD161 | Ferodo FDB892 |
|-------------------|------------------------|-------------------------|

Equivalents OE#

| | | |
|---------------|--------------|---------------|
| 06455 KBR 731 | 43082 1286 | 5MV W0045 01 |
| 06455 KCZ 000 | 43082 5009 | 072 5000035 |
| 45105 MY6 405 | 59300 13830 | 5000035 |
| 45105 KTO 405 | 59300 36850 | K4308 21286 |
| 45105 KZ1 405 | 59300 36870 | 43082 0026 |
| 43082 0026 | 59300 36880 | 2525361000 |
| 43082 1149 | 59300 36890 | 43082 0049 |
| 43082 1152 | 59301 36810 | 25 25361 |
| 43082 1172 | 5DH W0045 00 | 06455 HP1 016 |
| 43082 1218 | 5DH W0045 10 | |

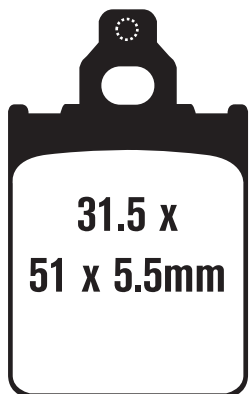
| | | |
|----------------|-------------------|---------------------------|
| OPTIONS | STD FA185X | Red - Off Road |
| | MXS185 | Sintered Off Road Race |
| | FA185R | Sintered Off Road Utility |
| | EPFA185HH | Sintered HH Race |

Dealer Stocking Recommendation

| | | |
|--------------------|---------------------|---------------------------|
| Single/Pair | Popularity # | Rec Stocking Level |
| 1 | - | 1 |

All part numbers, prefixes and suffixes shown in this catalog are unique and form a registered copyright as the property of EBC Brakes and its UK trademark owners

FA186



31.5 x
51 x 5.5mm

STD FA186 Black - Sport

Vespa Street

PX 150 (All models)

05-06

F

Equivalents OE#

| |
|-----------|
| 494762 |
| 498414 |
| 800067127 |

Competitor X Ref

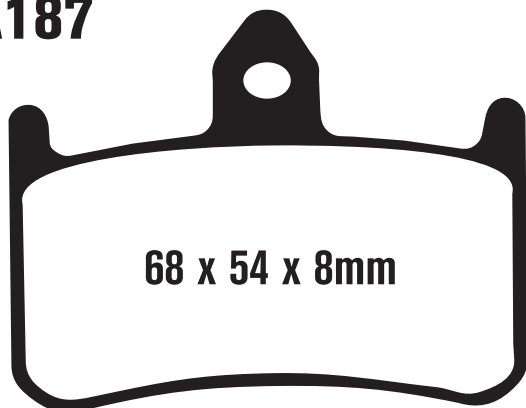
| SBS | Vesrah | Ferodo |
|-----|--------|--------|
| - | - | - |

Dealer Stocking Recommendation

| Single/Pair | Popularity # | Rec Stocking Level |
|-------------|--------------|--------------------|
| - | - | - |

BUYERS GUIDE
BRAKE PADS

FA187



68 x 54 x 8mm

STD FA187 Black - Sport
 OPTIONS FA187HH Sintered HH Sport - Road
 EPFA187HH Sintered HH Race

HONDA ROAD BIKE

| | | |
|------------------------|-------|---|
| VFR 750 R (RC 30) | 90 | F |
| RVF 750 R (RC45) | 94-95 | F |
| 919 (CB 900 F) | 02-07 | F |
| CBR 900 RR Fireblade | 93-97 | F |
| VTR 1000 F 'Superhawk' | 98-05 | F |
| CB 1000 | 94-95 | F |

Competitor X Ref

| SBS | Vesrah | Ferodo |
|-----|--------|--------|
| 622 | VD154 | FDB858 |

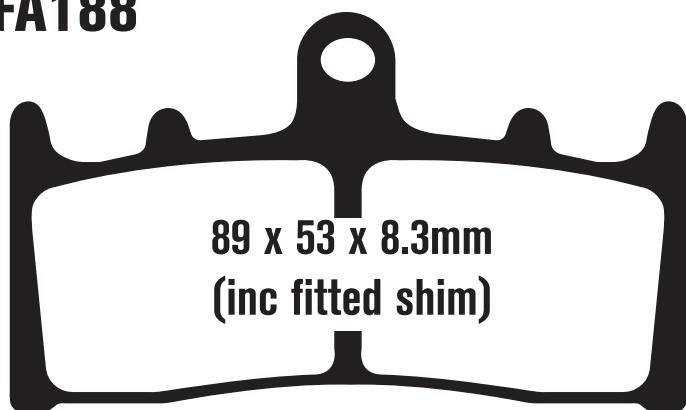
Equivalents OE#

| | |
|---------------|---------------|
| 06455 MZ1 405 | 45105 MR7 681 |
| 45105 MN8 006 | 45105 MW0 405 |
| 45105 MR7 006 | 45105 MW0 415 |
| 45105 MR7 612 | 45106 KV3 701 |

Dealer Stocking Recommendation

| Single/Pair | Popularity # | Rec Stocking Level |
|-------------|--------------|--------------------|
| 2 | H24 | 2 |

FA188



89 x 53 x 8.3mm
(inc fitted shim)

Dealer Stocking Recommendation

| Single/Pair | Popularity # | Rec Stocking Level |
|-------------|--------------|--------------------|
| 2 | S21 | 2 |

SUZUKI ROAD BIKE

| | | |
|--------------------------------------|-------|--------|
| GSX-R 750 WR/WS/T/V/W/X | 94-99 | F |
| GSXR 1000 K1/K2 | 01-02 | F |
| GSX-R 1100 WP/WR/WS/WT/WV/WW | 93-98 | F |
| TL 1000 RW/RX/RV/RK1/RK2/RK3 | 98-03 | F |
| GSX 1200 SK1/SK/SK3/K1/K2/K3/SK4/SK5 | 01-05 | F |
| GSX 1300 RX/RV/RK1/RK2/RZK3 | | |
| /RK4/RZK4/RK5/RK6/RZK6 Hayabusa | 99-06 | F |
| VZ 1600 K4 Marauder | 04 | F Left |

KAWASAKI ROAD BIKE

| | | |
|---|-------|---|
| ZX-6R (ZX 600 G1/G2) | 98-99 | F |
| ZX6R (ZX 600 J1/J2/J3) | 00-02 | F |
| ZX6R (ZX 636 A1) | 02 | F |
| ZZR 600 (ZX 600 J4/J6F/J7F/J8F) | 05-08 | F |
| Ninja ZX 7R (6 Piston Pad) | | |
| (ZX 750 P1-P8) Tokico Caliper | 96-03 | F |
| ZX-9R B3/B4/C1/C2 "Ninja" | 96-99 | F |
| ZX9R (ZX 900 E1/E2) | 00-01 | F |
| (ZR 1100 C3/C4) ZRX 1100 | 99-00 | F |
| ZRX 1200 R (ZR 1200 A1/A2/A3/A4/A5) | 01-05 | F |
| ZX12R (ZX 1200 A1/A2/B1/B2) | 00-03 | F |
| VN 1500 P1/P2 'Vulcan 1500 Mean Streak' | 02-03 | F |
| VN 1600 B1 Mean Streak | 04 | F |

Equivalents OE#

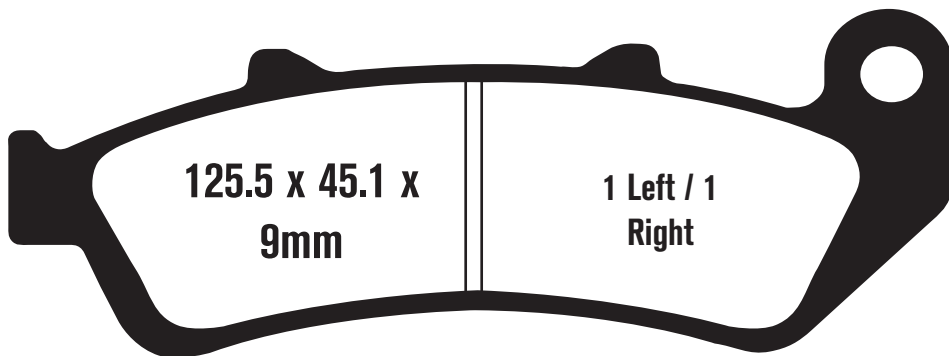
| | | | | |
|-------------|-------------|------------|------------|-------------|
| 59130 46E00 | 59300 33890 | 43082 1224 | 43082 1258 | 43082 1274 |
| 59300 46840 | 43082 1179 | 43082 1227 | 43082 1259 | K4308 21274 |
| 59300 33870 | 43082 1199 | 43082 1250 | 43082 1272 | |

STD FA188 Black - Touring - Road
 OPTIONS FA188HH Sintered HH Sport - Road
 EPFA188HH Sintered HH Race

Competitor X Ref

| SBS | Vesrah | Ferodo |
|-----|--------|-------------------|
| 686 | VD349 | FDB873 FDB2144 |

FA189



HONDA ROAD BIKE
CBR 1000 F

93-99 F & R

★ **SAFETY NOTICE** ★

LINKED BRAKE

FIT ALL THREE SETS AT PAD CHANGE

Equivalents OE# 06455 MZ2 405

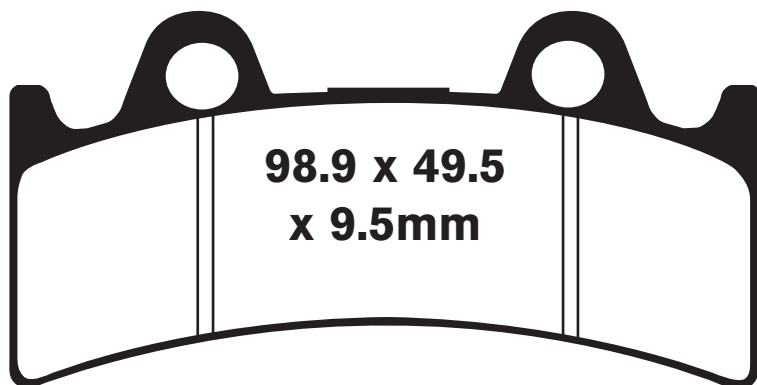
| <u>Competitor X Ref</u> | <u>SBS</u> | <u>Vesrah</u> | <u>Ferodo</u> |
|-------------------------|------------|---------------|---------------|
| | 685 | VD164 | FDB2002 |

| | | |
|----------------|----------------|--------------------------|
| STD | FA189 | Black - Touring - Road |
| OPTIONS | FA189HH | Sintered HH Sport - Road |

Dealer Stocking Recommendation

| <u>Single/Pair</u> | <u>Popularity #</u> | <u>Rec Stocking Level</u> |
|--------------------|---------------------|---------------------------|
| 3 | H32 | 2 |

FA190



YAMAHA ROAD BIKE

YZF 750 R/SP 93-96 F
FZR 1000 EX-UP F/FC/G/GC 94-96 F

TRIUMPH

Daytona Super III (3 cyl) 94-97 F

PERFORMANCE MACHINES

112 X 6RSB
112 X 6SSB
125 X 6

Equivalents OE# 4FM W0045 00
4FM W0045 10

| <u>Competitor X Ref</u> | <u>SBS</u> | <u>Vesrah</u> | <u>Ferodo</u> |
|-------------------------|------------|---------------|---------------|
| | 683 | VD258 | FDB864 |

| | | |
|----------------|------------------|--------------------------|
| STD | FA190 | Black - Touring - Road |
| OPTIONS | FA190HH | Sintered HH Sport - Road |
| | EPFA190HH | Sintered HH Race |

Dealer Stocking Recommendation

| <u>Single/Pair</u> | <u>Popularity #</u> | <u>Rec Stocking Level</u> |
|--------------------|---------------------|---------------------------|
| 2 | Y29 | 2 |

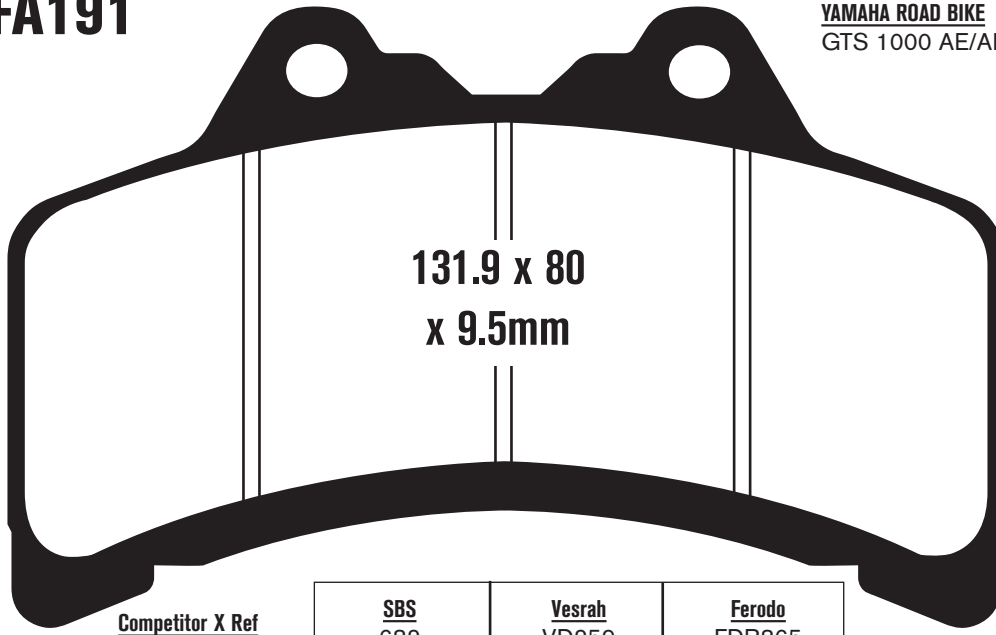
All part numbers, prefixes and suffixes shown in this catalog are unique and form a registered copyright as the property of EBC Brakes and its UK trademark owners

FA191

YAMAHA ROAD BIKE
GTS 1000 AE/AEC/AF/AFC

93-96

F



**131.9 x 80
x 9.5mm**

Competitor X Ref

| | | |
|-------------------|------------------------|-------------------------|
| SBS 682 | Vesrah VD259 | Ferodo FDB865 |
|-------------------|------------------------|-------------------------|

Equivalents OE#

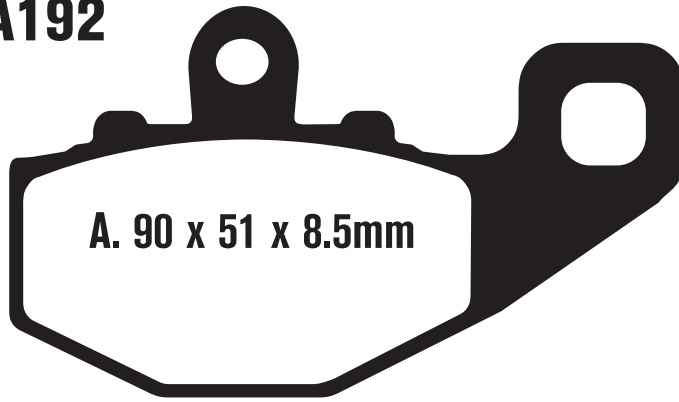
4BH W0045 01

STD FA191 Black - Touring - Road

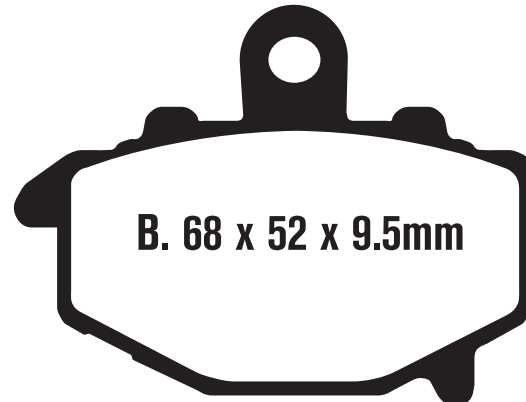
Dealer Stocking Recommendation

| <u>Single/Pair</u> | <u>Popularity #</u> | <u>Rec Stocking Level</u> |
|--------------------|---------------------|---------------------------|
| 1 | - | 1 |

FA192



A. 90 x 51 x 8.5mm



B. 68 x 52 x 9.5mm

KAWASAKI ROAD BIKE

| | | |
|--|-------|---|
| ZR 550 B4 Zephyr | 93 | R |
| ZX 6R (ZX600 F1/F2/F3/G1/G2) | 94-99 | R |
| ZX 6R (ZX 600 J1/J2/J3) | 00-02 | R |
| ZX 6RR (ZX 600 K1/M1/N1) 599cc | 03-05 | R |
| ZX 6R (ZX 636 A1) | 02 | R |
| ZX 6R (ZX 636 B1/B2/C1/C6F/D6F) 636cc | 03-06 | R |
| ZX6R (ZX 600 P7F/P8F/R9F/RAF/RBF) | 07-11 | R |
| ZX 600 E1-E13 (Ninja ZX6) | 93-05 | R |
| ZZR 600 (ZX 600 J4/J6F/J7F/J8F) | 05-08 | R |
| ER 650 C9F/CAF ER-6N | 09-10 | R |
| EX 650 Ninja 650 R A6F/A7F/A8F/C9F/CAF/CBF | 06-11 | R |
| KLE 650 A7F/A8F/A9F/CAF/CBF Versys | 07-11 | R |
| Z 750 S (ZR 750 K1/K6F) | 05-06 | R |
| ZX-9R B1/B2/B3/B4 Ninja | 94-97 | R |
| ZX-9R (ZX 900 C1/C2) | 98-99 | R |
| ZX-9R (ZX 900 E1/E2/F1/F2) | 00-03 | R |
| Z 1000 (ZR 1000 A1/A2/A3) | 03-05 | R |
| Z 1000 (ZR 1000 A6F) | 06 | R |
| ZX-10 R (ZX 1000 C1/C2/D6F) | 04-06 | R |
| ZX10R (ZX 1000 E8F/E9F/FAF) | 08-10 | R |
| Z 1000 (ZR 1000 DAF/DBF) | 10-11 | R |
| 1000 Ninja (ZX 1000 GBF) | 11 | R |
| GPZ 1100 (ZX 1100 E1-E3/F1) | 95-97 | R |

Equivalents OE#

| | |
|------------|------------|
| 43082 0004 | 43082 1160 |
| 43082 0068 | 43082 1171 |
| 43082 0111 | 43082 1213 |
| 43082 1157 | |

Competitor X Ref

| | | |
|-------------------|------------------------|---------------------------|
| SBS 687 | Vesrah VD434 | Ferodo FDB2012R |
|-------------------|------------------------|---------------------------|

STD FA192 Black - Touring - Road

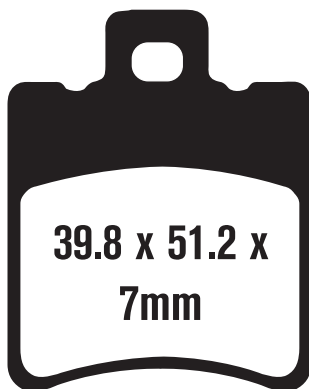
OPTIONS FA192HH Sintered HH Sport - Road

Dealer Stocking Recommendation

| <u>Single/Pair</u> | <u>Popularity #</u> | <u>Rec Stocking Level</u> |
|--------------------|---------------------|---------------------------|
| 1 | K16 | 1 |

All part numbers, prefixes and suffixes shown in this catalog are unique and form a registered copyright as the property of EBC Brakes and its UK trademark owners

FA193



APRILIA

| | | |
|--------------------------------------|-------|-------|
| Scarabeo Road 50 (Drum rear) | 99-05 | F |
| Scarabeo 50 Ditech (rear disc model) | 02-08 | F & R |
| SR 50 R Ditech | 99-11 | F & R |
| Rally 50 (Air cooled) | 04-05 | F |
| Mojito Retro 50 | 04-05 | F |
| Mojito Custom 50 | 04-06 | F |
| Scarabeo 100 4T | 04-11 | F |

MALAGUTI

| | | |
|------------------|-------|-------|
| Phantom F12 | 98-04 | F & R |
| Ciak 50 | 02-04 | F |
| F10 Jetline | 02-04 | F |
| F15 Firefox (LC) | 04 | R |

YAMAHA

| | | |
|-------------------------|-------|---|
| CW 50 (BW's) | 98-99 | F |
| CW 50 M/N Zuma II | 00-01 | F |
| CW 50 L/TL Zuma/Zuma II | 99 | F |

Competitor X Ref

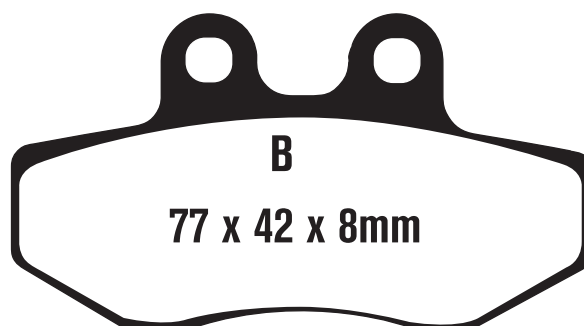
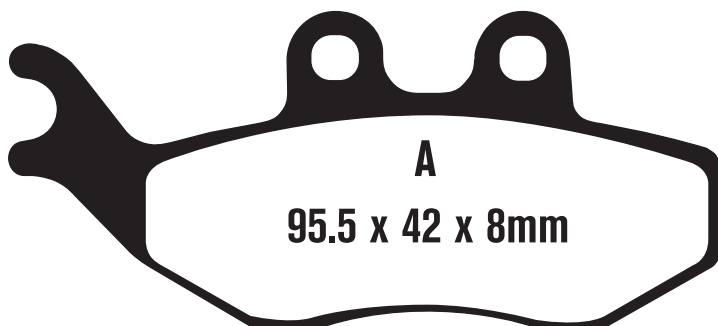
| SBS | Vesrah | Ferodo |
|---------------------|--------|--------|
| 725/697 /667/771 | VD948 | DP680 |

| | | |
|---------|---------|--------------------------|
| STD | FA193 | Black - Touring - Road |
| OPTIONS | FA193HH | Sintered HH Sport - Road |

Equivalents OE#

| | | |
|--------------|--------------|--------------|
| 4VV F5811 00 | 5MF F5811 00 | 5ME F5811 00 |
|--------------|--------------|--------------|

FA194



APRILIA

| | | |
|--------------------|-------|---|
| RS 50 "Replica" | 99-05 | F |
| RX 50/RX 50 Racing | 04 | F |
| MX 50 | 04 | F |

GPI

| | | |
|-------------|-------|---|
| GTR 50 | 05-09 | F |
| GTR 150/180 | 05-09 | F |

GAS-GAS

| | | |
|---------------------|-------|---|
| EC 50 | 05 | F |
| SM 50 | 05 | F |
| Pampera 125/250/280 | 04 | F |
| Pampera 125/450 | 05-06 | F |
| Pampera 250 | 02-03 | R |

PEUGEOT

| | | |
|------------------------------|-------|---|
| Elyseo 125/150 | 03-05 | F |
| Elystar 125/150 P | 03-05 | F |
| Jet Force 125 EFI/Compressor | 03-05 | F |

PIAGGIO

| | | |
|--------------------------|-------|-------|
| BV 200 (Grimeca Caliper) | 02-06 | F & R |
|--------------------------|-------|-------|

SCORPA

| | | |
|---------------|-------|---|
| 4T-Ride 250 F | 06-08 | F |
|---------------|-------|---|

VESPA

| | | |
|--|-------|---|
| GT 200 L Granturismo (Grimeca caliper) | 05-09 | F |
|--|-------|---|

Equivalents OE#

| | |
|---------|-------------|
| 8113478 | 1119 495 00 |
| 8113523 | 494628 |

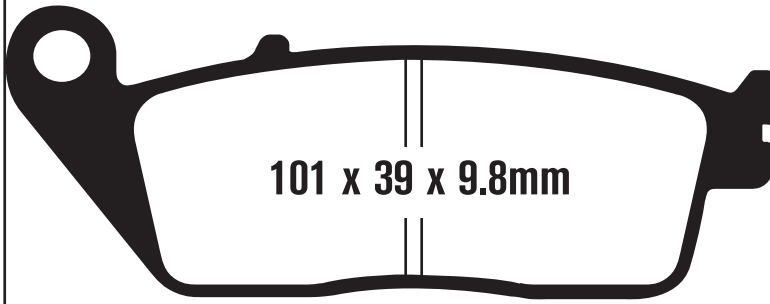
Competitor X Ref

| SBS | Vesrah | Ferodo |
|-----|--------|--------|
| 689 | VD967 | FDB677 |

| | | |
|---------|---------|--------------------------|
| STD | FA194 | Black - Touring - Road |
| OPTIONS | FA194HH | Sintered HH Sport - Road |

All part numbers, prefixes and suffixes shown in this catalog are unique and form a registered copyright as the property of EBC Brakes and its UK trademark owners

FA196



101 x 39 x 9.8mm

1 Left/1 Right

HONDA ROAD BIKE

| | | |
|---|-------|---|
| FSC 600 Silverwing | 02-11 | R |
| VT 600 C/CD/CD2 Shadow VLX/Deluxe | 94-07 | F |
| NSA 700 A9 "DN-01" | 09-11 | R |
| VF 750 C Magna/ Magna Deluxe CD/C2 | 94-03 | F |
| VFR 750 F | 90-97 | R |
| CB 750 Nighthawk | 91-03 | F |
| VT 750 C/CD/CD2 | 98-02 | F |
| VT 750 CD/DC/DCA/DCB Shadow Spirit | 01-08 | F |
| VT 750 CDA/CDB/CDC/CDD Shadow Ace 750 Deluxe | 02-03 | F |
| VT 750 C2/C2F Shadow Spirit | 07-09 | F |
| VT750 T Shadow Tourer | 09 | F |
| VT 750 C/CA Shadow Aero | 04-07 | F |
| VT 750 C/C2F Shadow Spirit | 08-11 | F |
| VT 750 DC/DCA/DCB Shadow Spirit | 01-07 | F |
| VT 750 RS Shadow | 10-11 | F |
| VT 750 Shadow Phantom | 10-11 | F |
| VT 750 Shadow Aero | 08-09 | F |
| CBR 1000 F | 90-91 | R |
| ST 1100 | 91-02 | R |
| ST 1100 A 'ABS Model' | 95 | R |
| VT 1100 C Shadow/Shadow Spirit | 94-07 | F |
| VT 1100 C2 American Classic Edition/C2-2/C3/C2 Sabre | 95-07 | F |
| VT 1100 T Shadow American Classic Edition Tourer | 98-01 | F |
| VT 1300 Sabre/Sabre ABS | 10-11 | F |
| VT 1300 Stateline/Stateline ABS | 10-11 | F |
| VT 1300 Interstate | 10-11 | F |
| VTX 1300 C | 04-11 | F |
| VTX 1300 S | 03-07 | F |
| VTX 1300 R | 05-11 | F |
| VTX 1300 T | 08-11 | F |
| VTX 1300 CXA Fury (Non ABS Model) | 10-11 | F |
| GL 1500 C/CT/CF/CD Valkyrie/Valkyrie Tourer | 97-03 | R |
| KYMCO | | |
| People S 250 | 07-11 | R |
| Venox 250 | 03-07 | F |
| Xciting 250 | 05-11 | R |
| Xciting 500 | 04-11 | R |
| BUELL | | |
| Blast | 00-06 | F |

Equivalents OE#

| | |
|-----------------|----------------|
| 06435 MT3 405 | 43106 ML7 921B |
| 06455 MAA 405 | 45106 MN8 671B |
| 43105 ML7 921A | 45106 MS9 612B |
| 43105 ML7 922A | 45106 MW3 671 |
| 43105 MS2 007A | T2020077 |
| 43105 MS9 612A | T2020194 |
| 43105 MT3/6 007 | 2203679 |
| 43105 MT4 007A | |

Competitor X Ref

| | | |
|-------------------|--------------------------|-------------------------|
| SBS 700 | Vesrah VD156/3 | Ferodo FDB664 |
|-------------------|--------------------------|-------------------------|

DAELIM

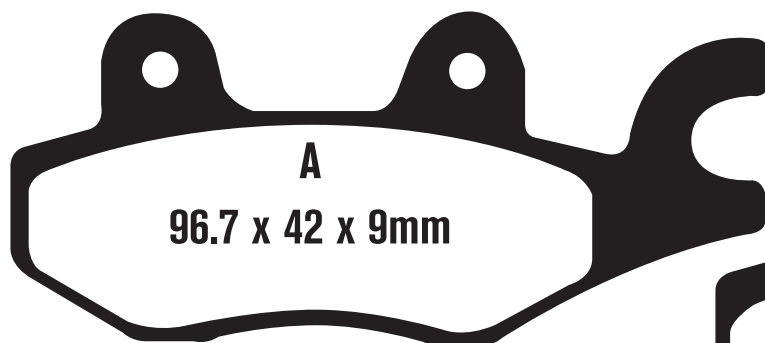
| | | |
|----------------------------------|-------|-------|
| Roadwin 125 | 04-09 | F |
| Daystar 125 | 03-09 | F |
| TRIUMPH | | |
| Adventurer | 96-01 | F & R |
| America 865cc (Cast wheel) | 06-09 | F |
| Bonneville America | 02-06 | F |
| Bonneville 800 | 01-05 | F |
| Bonneville (85cc/cast wheel) | 09-11 | F |
| Bonneville SE (865cc/cast wheel) | 09-11 | F |
| Bonneville T100 | 02-09 | F |
| Bonneville T100 (865cc) | 10-11 | F |
| Bonneville/Bonneville Black | 06-08 | F |
| Legend TT | 98-01 | F & R |
| New America (865cc/cast wheel) | 10-11 | F |
| Speedmaster 800 | 03-04 | F |
| Scrambler (865cc) | 06-11 | F |
| Speedmaster (865cc) | 05-09 | F |
| Thunderbird | 95-03 | F & R |
| Thunderbird Sport | 98-03 | F & R |
| Tiger (885cc) | 97-99 | F & R |
| Tiger 955cc | 99-04 | F & R |
| Tiger 955 (Cast wheel model) | 04-06 | F |
| VICTORY | | |
| Vegas | 08-11 | R |
| Vegas Low | 08-09 | R |
| Vegas Jackpot | 08-09 | R |
| Hammer | 08-11 | R |
| Hammer S | 08-11 | R |
| King Pin | 08-11 | R |
| Kingpin Tour | 08-09 | R |
| Kingpin 8-Ball | 08-11 | R |
| Kingpin-Low | 09 | R |
| Vegas 8-Ball | 08-11 | R |
| Vision Street | 08-09 | R |
| Vision Tour (All models) | 08-11 | R |
| Cory Ness Jackpot | 08-10 | R |
| Cory Ness Victory Cross Country | 11 | R |
| Cross Country | 10-11 | R |
| Cross Roads | 10-11 | R |
| Hammer 8 Ball | 10-11 | R |
| Vision 8 Ball | 10-11 | R |
| Jackpot | 10-11 | R |
| Arlen Ness Victory Vision | 09-11 | R |
| Zach Ness Vegas | 11 | R |

Dealer Stocking Recommendation

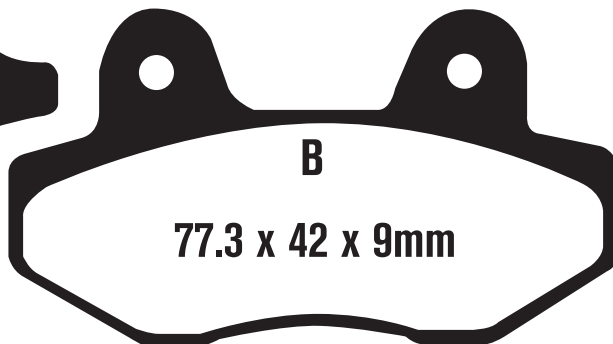
| Single/Pair | Popularity # | Rec Stocking Level |
|-------------|--------------|--------------------|
| 1 | H22 | 2 |

| | | |
|----------------|----------------|--------------------------|
| STD | FA196 | Black - Touring - Road |
| OPTIONS | FA196HH | Sintered HH Sport - Road |

FA197



A
96.7 x 42 x 9mm



B
77.3 x 42 x 9mm

HONDA

| | | |
|---------------------------|----|---|
| Dream 50 R (CB 50) (AR02) | 04 | F |
| NSR 50 R (RS 50) | 04 | F |
| NSF 100 R | 06 | F |

KAWASAKI

| | | |
|--------------------------------------|-------|-------|
| BN 125 A4-A8/A6F/A7F/A9F Eliminator | 01-09 | F |
| EX 250 (Ninja 250 R) J8F/J9F/JAF/JBF | 08-11 | F & R |
| EL 650 E8F/E9F/EAF/EBF (KLR 650) | 08-11 | R |

KYMCO

| | | |
|----------------------------|-------|---------|
| Super 9 AC | 02-09 | F |
| Bet & Win 150/250 | 02-08 | F & R |
| Grand Vista 250 (SH 50 DF) | 05-11 | F |
| People 250 | 03-07 | R |
| People S 250 | 07-11 | F Right |
| Yager GT 200 i | 09-11 | F & R |
| Like 200i | 10-11 | R |

DAELIM

| | | |
|-------------|-------|---|
| Roadwin 125 | 04-09 | R |
| S2-250 | 06-09 | R |
| S2-125 | 06-09 | R |

MZ

| | | |
|--------|-------|---|
| RT 125 | 02-05 | F |
|--------|-------|---|

SUZUKI STREET

| | | |
|---------------------------------|-------|---------|
| AN 400 K7/K8/K9/AK9/AL0 Burgman | 07-10 | F Right |
|---------------------------------|-------|---------|

UM (UNITED MOTORS)

| | | |
|--------------|----|-------------|
| X-Peed 250 i | 08 | F Right & R |
|--------------|----|-------------|

| | | |
|----------------|------------------|--------------------------|
| STD | FA197 | Black - Touring - Road |
| OPTIONS | FA197HH | Sintered HH Sport - Road |
| OPTIONS | EPFA197HH | Sintered HH Race |

Dealer Stocking Recommendation

| | | |
|--------------------|---------------------|---------------------------|
| <u>Single/Pair</u> | <u>Popularity #</u> | <u>Rec Stocking Level</u> |
| 1 | | 1 |

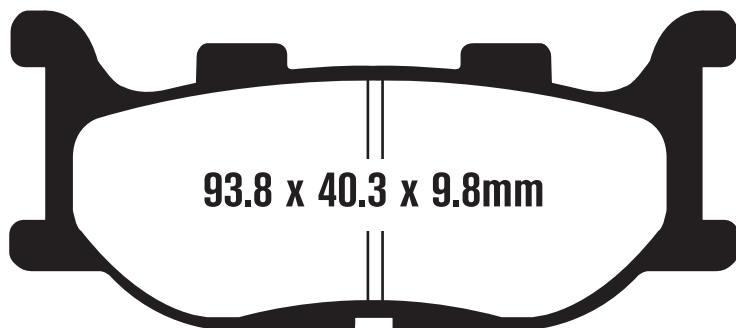
Equivalents OE#

| | |
|-------------------|----------------|
| 43082 0080 | 59100 05820 |
| 43082 0081 | 4510A KWF6 900 |
| 43082 1238 | 9023001000 |
| 4510A KW6 9000 | 06455 KR3 415 |
| 45105 KBE 3050 M2 | 59401 HP7 600 |
| 43150 KBE 3060 | 252 0033A |
| 45150 LLB5 3050 | |

Competitor X Ref

| | | |
|-------------------|--------------------|--------------------------|
| SBS 638 | Vesrah - | Ferodo FDB2142 |
|-------------------|--------------------|--------------------------|

FA199



93.8 x 40.3 x 9.8mm

YAMAHA ROAD

| | | |
|---------------------------------------|-------|---|
| CP 250 V/W/X Morphus | 06-08 | F |
| XV 250 Virago All models | 95-07 | F |
| XV 250 V-Star | 08-11 | F |
| FZ6 | 04-06 | F |
| FZ6R (FZS6Y/Z/A) | 09-11 | F |
| XVS 1100 V Star Custom/V Star Classic | 99-09 | F |
| XVS 1100 V-Star Silverado | 03-09 | F |
| XVS 1100 W-M V-Star Custom Midnight | 07 | F |
| XVS 1300 V-Star 1300 Tourer | 07-11 | F |
| XVS 1300 V-Star | 07-11 | F |

Equivalents OE#

| | |
|--------------|--------------|
| 4HM W0045 00 | 4GA W0045 00 |
| 4EB W0045 00 | 1B7 W0045 00 |

Competitor X Ref

| | | |
|-------------------|------------------------|--------------------------|
| SBS 691 | Vesrah VD260 | Ferodo FDB2003 |
|-------------------|------------------------|--------------------------|

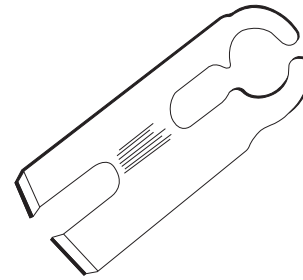
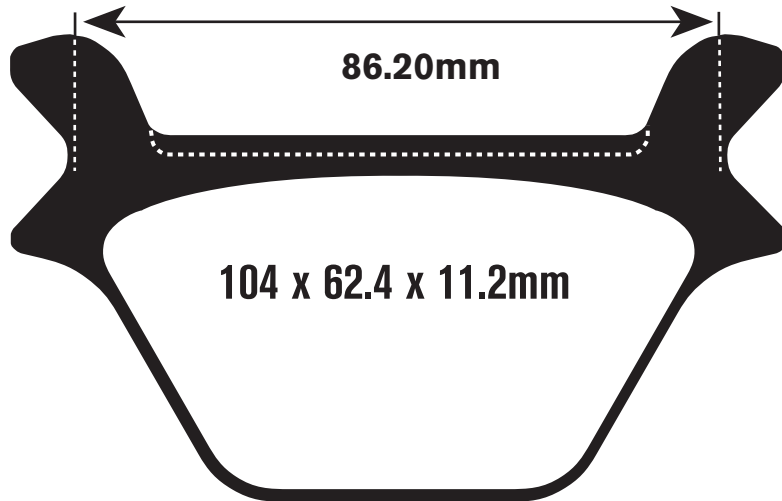
| | | |
|----------------|----------------|--------------------------|
| STD | FA199 | Black - Touring - Road |
| OPTIONS | FA199HH | Sintered HH Sport - Road |

Dealer Stocking Recommendation

| | | |
|--------------------|---------------------|---------------------------|
| <u>Single/Pair</u> | <u>Popularity #</u> | <u>Rec Stocking Level</u> |
| 1 | - | 1 |

All part numbers, prefixes and suffixes shown in this catalog are unique and form a registered copyright as the property of EBC Brakes and its UK trademark owners

FA200



Abutment Shims (2 per set) (REF SHFA200/201)

Note: Only fit abutment shims to caliper if they have been fitted by factor from new.

HARLEY DAVIDSON

FXD/FXDL/FXDWG/FXR/FXRS/FXRT
/FXRD/FXLR
FXST, FXSTB, FXSTC, FXSTS, FLST, FLSTC,
FLSTF, FLSTS, FLSTN
XL/XLH/XLCH/XLS/XLX

Late 87-99 R

Late 87-99 R

Late 87-99 R

Equivalents OE#

| | |
|-----------|----------|
| 44209 87B | 44213 87 |
| 44209 87C | 8009004 |

Competitor X Ref

| | | |
|-------------------|------------------------|------------------------------|
| SBS 669 | Vesrah VD957 | Ferodo FDB521/2001 |
|-------------------|------------------------|------------------------------|

| | | |
|----------------|----------------|--------------------------|
| STD | FA200 | Black - Touring - Road |
| OPTIONS | FA200HH | Sintered HH Sport - Race |

Dealer Stocking Recommendation

| | | |
|-------------------------|----------------------------|--------------------------------|
| Single/Pair 1 | Popularity # HD1 | Rec Stocking Level 4 |
|-------------------------|----------------------------|--------------------------------|

FA201

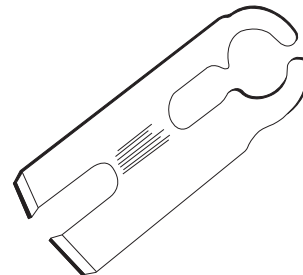


HARLEY DAVIDSON

FLT, FLHT, FLTHCI
FLHR, FLHRCI

86-99 R

94-99 R



Abutment Shims (2 per set) (REF SHFA200/201)

Note: Only fit abutment shims to caliper if they have been fitted by factor from new.

Equivalents OE#

| | |
|-----------|-----------|
| 43957 86 | 43957 86B |
| 43957 86A | 43957 86D |

Competitor X Ref

| | | |
|-------------------|------------------------|-------------------------|
| SBS 668 | Vesrah VD956 | Ferodo FDB485 |
|-------------------|------------------------|-------------------------|

| | | |
|----------------|----------------|------------------------|
| STD | FA201 | Black - Touring - Road |
| OPTIONS | FA201HH | Sintered HH Sport |

Dealer Stocking Recommendation

| | | |
|-------------------------|----------------------------|--------------------------------|
| Single/Pair 1 | Popularity # HD5 | Rec Stocking Level 2 |
|-------------------------|----------------------------|--------------------------------|

FA202



YAMAHA DIRT

YZ 125 F/G/H/J 94-97 F
YZ 250 F/G/H/J 94-97 F

SUZUKI DIRT

RM 125 R/S 94-95 F
RM 250 R/S 94-95 F

**Oversize version
of FA135**

Competitor X Ref

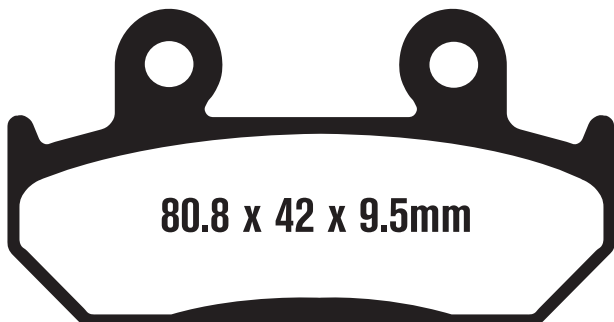
| | | |
|-----------------|------------------------|-------------------------|
| <u>SBS</u> - | <u>Vesrah</u> VD340 | <u>Ferodo</u> FDB497 |
|-----------------|------------------------|-------------------------|

| | | |
|----------------|---------------|---------------------------|
| STD | FA202X | Black - Off Road |
| OPTIONS | FA202R | Sintered Off Road Utility |
| | MXS202 | Sintered Off Road Race |

Dealer Stocking
Recommendation

| | | |
|-------------------------|--------------------------|--------------------------------|
| <u>Single/Pair</u> 1 | <u>Popularity #</u> - | <u>Rec Stocking Level</u> 1 |
|-------------------------|--------------------------|--------------------------------|

FA203



HONDA ROAD
CBR 600 F2

91-94 F

Equivalents OE#

| |
|---------------|
| 45105 MV1 008 |
| 45105 MV8 405 |

Competitor X Ref

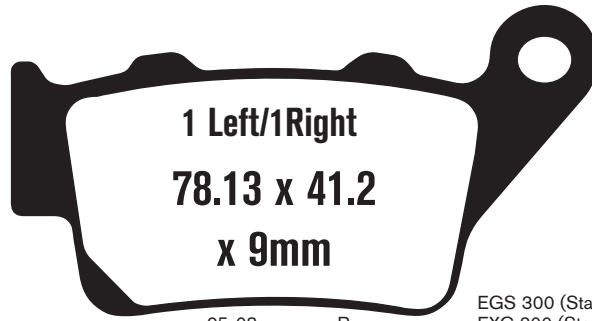
| | | |
|-------------------|------------------------|-------------------------|
| <u>SBS</u> 593 | <u>Vesrah</u> VD142 | <u>Ferodo</u> FDB462 |
|-------------------|------------------------|-------------------------|

| | | |
|----------------|------------------|--------------------------|
| STD | FA203 | Black - Touring - Road |
| OPTIONS | FA203HH | Sintered HH Sport - Road |
| | EPFA203HH | Sintered HH Sport - Race |

Dealer Stocking
Recommendation

| | | |
|-------------------------|----------------------------|--------------------------------|
| <u>Single/Pair</u> 2 | <u>Popularity #</u> H11 | <u>Rec Stocking Level</u> 4 |
|-------------------------|----------------------------|--------------------------------|

FA208



HUSABERG

All Models 95-08 R

ATK

All Models 97-03 R
 125 (2 stroke enduro) 03 R
 250/260 (2 stroke engine) 03 R
 450 MX 07 R
 450 XC 07 R
 Enduro 450 07 R
 500 Enduro 03 R
 605 Enduro 03 R
 700 (2T) Intimidator 04 R
 620 (2T) Intimidator 04 R
 500 (2T) 04 R
 370 (2T) 04 R
 250 (2T) 04 R

BMW

F 800 GS 08-11 R

GAS-GAS

Enduros 125/250 00 R

HUSQVARNA

CR 125 95-04 R
 SM 125 98-00 R
 SMS 125 (2T) 02-11 R
 SMS-4-125 (4T) 10-11 R
 WR 125 95-05 R
 WRE 125 93-11 R
 CR 250 95-04 R
 TC 250 02-03 R
 TE 250 02-05 R
 WR 250 95-05 R
 TE 350 95-97 R
 WR 360 95-02 R
 SM 400 R 02 R
 TE 400 02 R
 TE 410 95-00 R
 TE 410 E 00 R
 SM 450 R 03-06 R
 TC 450 03 R
 TE 450 03-05 R
 SM 510 R 05- R
 TC 510 04 R
 TE 510 04-05 R
 SM 570 R (4 bolt front disc) 01-04 R
 TC 570 02-03 R
 TE 570 01-04 R
 LT 610 (6 bolt front disc) 00 R
 SM 610 (6 bolt front disc) 98-99 R
 SM 610 R 00 R
 SM 610/S (4 bolt front disc) 02-06 R
 SM 610 S (Radial caliper) 06 R
 SM 610 IE 07-09 R
 TC 610/E 95-99 R
 TC 610 00 R
 TE 610 00 R
 TE 610/E 95-03 R
 TE 610/IE 06-09 R
 SM 630 09-10 R
 SMR 630 06 R
 SMS 630 10-11 R
 STR 650 CRC 07 R

KTM

EXC/EGS 200 98-03 R
 SX 250 94-02 R

EGS 300 (Standard forks) 94-98 R
 EXC 300 (Standard forks) 94-98 R
 EXC 300 (Upside down forks) 99-03 R
 MXC 300 (Standard forks) 94-98 R
 MXC 300 (Upside down forks) 99-03 R
 SX 300 94-96 R
 EXC 350 LC4 94-95 R
 EXC 350/SX 360 96-97 R
 EXC 380/SX 380 98-03 R
 Duke 400 LC4 94-98 R
 EGS 400/EGS-E/LSE (LC4 Enduro) 96-99 R
 EXC/EGS 400 00-02 R
 EXC 400 Racing 00 R
 LC4-E 400 Enduro 00-01 R
 SC 400 Supercompetition LC4 96-99 R
 SX 400 00-02 R
 EXC 440 94-95 R
 EXC 450 03 R
 MX 500 95 R
 EXC 520/SX 520 01-03 R
 EXC 525 03 R
 MXC 525 03-04 R
 MXC 550 96 R
 Duke 620 LC4 94-98 R
 EGS 620 Enduro/EGS-E/LSE 96-99 R
 EGS-E 620 Adventure/rallye 99 R
 LC4 620 SC Supermoto 00 R
 SC 620 Supercompetition 96-00 R
 SX EXC/EGS 620 95 R
 SX 620 96-99 R
 LC4 625 SC Supermoto 02 R
 /Supercompetition 02 R
 SMC 625 05 R
 SXC 625 03-04 R
 Duke II 640 Orpheus/Titan/Lime 01- R
 Duke II 640 Black/Orange 02 R
 LC4-E 640 Enduro/Supermoto 00-04 R
 LC-4 640 Adventure 01-03 R
 LC-4 Adventure 04-05 R
 LC-R 640 Adventure R 00 R
 640 Duke Jet Black/Yellow/
 Adrenalin Orange 03-05 R
 SMC 640 LC4 05 R
 SMC 660 Supermoto 03-04 R
 SMC 660 05 R
 690 Rally Factory Rep 07-08 R
 690 Enduro 08 R
 690 Enduro R 10-11 R
 690 SMC 08-11 R
 690 Supermoto 02-08 R
MAICO/M-STAR
 Disc models 97-99 R
T.M.
 MX Models 85.100 02-04 R
VERTEMATI
 495 99-02 R
 C 450/500/570 (MX) 03-04 R
 E 450/501/570 (Enduro) 03-04 R
 S 450/501/570/E (Super Motard) 03-04 R
 SR 450/SR 600 Motard Racing 03-04 R
VOR
 SM-E 450/530 04 R
 MX 450/530 04 R
 EN/EN-E 450/530 04 R

Competitor X Ref

SBS

675

Vesrah

VD953

Ferodo

FDB2005

Equivalents OE#

800079072

870079072

090074

090070

| | | |
|----------------|-------------------|---------------------------|
| OPTIONS | STD FA208X | Red - Off Road |
| | FA208R | Sintered Off Road Utility |
| | MXS208 | Sintered Off Road Race |
| | EPFA208HH | Sintered Off Road Race |

Dealer Stocking Recommendation

Single/Pair

1

Popularity #

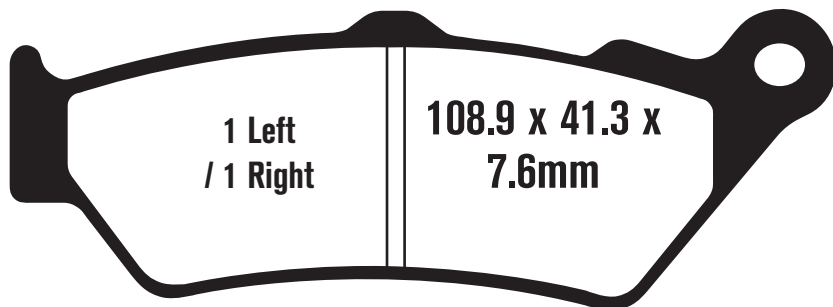
-

Rec Stocking Level

1

All part numbers, prefixes and suffixes shown in this catalog are unique and form a registered copyright as the property of EBC Brakes and its UK trademark owners

FA209 USE FA209/2 FA209/2



Competitor X Ref

| | | |
|-------------------|------------------------|--------------------------|
| SBS 674 | Vesrah VD958 | Ferodo FDB2006 |
|-------------------|------------------------|--------------------------|

Dealer Stocking Recommendation

| | | |
|-------------------------|--------------------------|--------------------------------|
| Single/Pair 1 | Popularity # - | Rec Stocking Level 1 |
|-------------------------|--------------------------|--------------------------------|

| | | |
|----------------|------------------|--------------------------|
| STD | FA209 | USE FA209/2 |
| OPTIONS | FA209HH | USE FA209/2HH |
| STD | FA209/2 | Black - Touring - Road |
| OPTIONS | FA209/2HH | Sintered HH Sport - Road |

FA209/2 - APRILIA
Pegaso 650 ie (All models) 99-04 F
Caponord ETV 1000 (All models) 01-08 F

BMW
C1 125 99-03 F
C1 200 01-03 F
F 650/650 ST 93-00 F
F 650 GS/Dakar GS 99-07 F
F 650 GS (Twin cylinder model) 08-11 F
F 650 CS (All models) 00-06 F
G 650 Xchallenge 07-09 F
G 650 Xcountry 07-08 F
G 650 GS 09 F
F 800 GS (Twin Cylinder/798cc/spoke wheel) 08-11 F
HP-2 Enduro 05-09 F

DUCATI
GT 1000 (992cc) 07-10 F
GT 1000 Touring Sport Classic 09 F
Paul Smart 1000 LE (992cc) 06 F
Sport Classic 1000 (992cc) 06-08 F
Diavel 11 R

KTM
690 Rally Factory Rep 07-08 F
690 Enduro R 10-11 F
950 Adventure/S 04-06 F
950 Supermoto R 07 F
950 Super Enduro 07-08 R
990 Adventure 07-11 F
990 Adventure S 07-09 F
990 Adventure R 10-11 F

MOTO GUZZI
Quota 1100 ES 99-01 F
California EVII 97-01 R
California Jackel 1100 99-01 R
California Special 1100 99-01 R
California Stone Series 02-06 R
California EV/Special Series 02-06 R
California Vintage 750 06-10 R

TRIUMPH - USE FA209/2HH ONLY
Rocket III 2300cc 04-09 R
Rocket III Classic 07-09 R
Rocket III Roadster 11 R
Rocket III Touring 09-11 R
Thunderbird 1600 (Cast wheel) 09-11 R
Thunderbird Storm (1700cc) 11 R

VICTORY
V92C/V92SC 98-03 R
Hammer 05-07 R
Hammer S 07 R
Vegas 8 Ball/Jackpot 05-07 R
Ness Signature Series 05-07 R
King Pin 06-07 R
King Pin Tour 04-07 R
Vegas 03-07 R

FA209/2 - Equivalents OE#

| | | | |
|---------------|---------------|-----------------|---------|
| 06455 MAK 000 | 000 365 46000 | 34 11 2 345 445 | 260 |
| 06455 MAN 911 | 000 365 46250 | 000 306 546 | 2202491 |

FA210



Performance Machine

125 X 6137 X 6

BUELL

| | | |
|-------------------|-------|---|
| S2/S3 Thunderbolt | 94-97 | F |
| M2 Cyclone | 94-97 | F |
| S1 Lightning | 94-97 | F |

Competitor X Ref

Equivalents OE#

42386 84Y

| | | |
|-------------------|------------------------|-------------------------|
| SBS 658 | Vesrah VD975 | Ferodo FDB847 |
|-------------------|------------------------|-------------------------|

Dealer Stocking Recommendation

| | | |
|-------------------------|--------------------------|--------------------------------|
| Single/Pair 1 | Popularity # - | Rec Stocking Level 2 |
|-------------------------|--------------------------|--------------------------------|

| | | |
|------------|--------------|------------------------|
| STD | FA210 | Black - Touring - Road |
|------------|--------------|------------------------|

All part numbers, prefixes and suffixes shown in this catalog are unique and form a registered copyright as the property of EBC Brakes and its UK trademark owners

FA211 USE EPFA295HH

FA211/2 DISCONTINUED



BREMBO
4 piston caliper
PVM 4 PISTON RACE CALIPER

Equivalents OE# N/A

Competitor X Ref

| <u>SBS</u> | <u>Vesrah</u> | <u>Ferodo</u> |
|------------|---------------|---------------|
| - | - | FDB2008 |

Dealer Stocking Recommendation

| <u>Single/Pair</u> | <u>Popularity #</u> | <u>Rec Stocking Level</u> |
|--------------------|---------------------|---------------------------|
| 2 | - | 2 |

| | | |
|------------|------------------|------------------|
| STD | EPFA211 | Sintered HH Race |
| STD | EPFA211/2 | Sintered HH Race |

FA213



| | | | |
|--|-------|---|--|
| APRILIA | | | |
| Dorsoduro 750 | 08-11 | R | |
| Shiver 750 | 07-11 | R | |
| BMW | | | |
| C1 125 | 99-03 | R | |
| C1 200 | 01-03 | R | |
| F 650/650 ST | 93-00 | R | |
| F 650 GS/Dakar GS | 99-07 | R | |
| F 650 GS (Twin cylinder model) | 08-11 | F | |
| F 650 GS (Single cylinder/chain drive) | 09 | R | |
| F 650 CS (All models) | 00-06 | R | |
| G 650 Xchallenge | 07-09 | R | |
| G 650 Xmoto | 07-09 | R | |
| G 650 Xcountry | 07-09 | R | |
| F 800 R | 09-10 | R | |
| F 800 S/ST | 06-11 | R | |
| S 1000 RR | 10-11 | R | |
| DUCATI | | | |
| GT 1000 (992cc) | 07-10 | R | |
| GT 1000 Touring Sport Classic | 09 | R | |
| Paul Smart 1000 LE (992cc) | 06 | R | |
| Sport 1000 S | 07-09 | R | |
| Sport Classic 1000 (992cc) | 06-08 | R | |
| KTM | | | |
| Duke 125 | 11 | R | |
| 690 Duke | 08-11 | R | |
| 990 Superduke | 05-11 | R | |
| 990 Superduke R | 07-11 | R | |

Equivalents OE# 34 21 7 660 343
61340761A

Competitor X Ref

| <u>SBS</u> | <u>Vesrah</u> | <u>Ferodo</u> |
|------------|---------------|---------------|
| 675 | VD953 | FDB2005 |

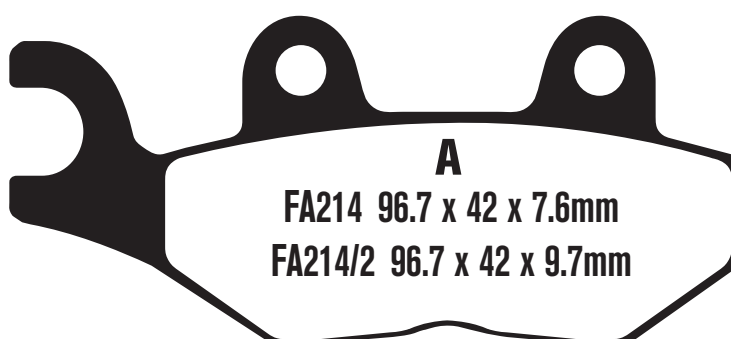
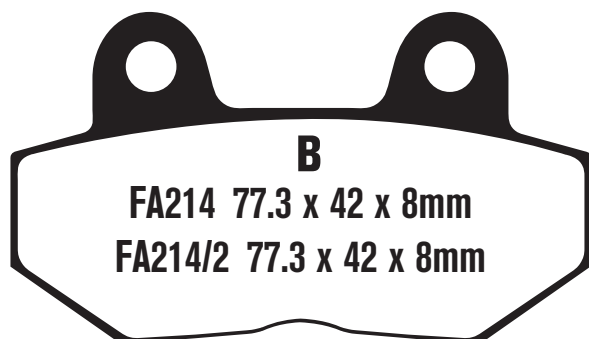
Dealer Stocking Recommendation

| <u>Single/Pair</u> | <u>Popularity #</u> | <u>Rec Stocking Level</u> |
|--------------------|---------------------|---------------------------|
| 1 | - | 1 |

| | | |
|---------------|----------------|------------------------|
| STD | FA213 | Black - Touring - Road |
| OPTION | FA213HH | Sintered HH Sport Road |

FA214

FA214/2



FA214 - TRIUMPH

| | | |
|---|-------|--------|
| Sprint (All carb models up to VIN 9082) | 93 | F Left |
| Tiger 885cc | 92-98 | F Left |
| Trident 900 | 92-98 | F Left |
| Trophy 900 (3 cyl) | 92-93 | F Left |
| Trophy 1200 (4 cyl) | 92-93 | F Left |

FA214/2 - TRIUMPH

| | | |
|----------------------------------|-------|---|
| America (Cast wheel/865cc) | 06-09 | R |
| Bonneville/Bonneville Black | 06-08 | R |
| Bonneville America | 02-08 | R |
| Bonneville 800 | 01-05 | R |
| Bonneville (865cc/Cast Wheel) | 09-11 | R |
| Bonneville SE (865cc/Cast wheel) | 09-11 | R |
| Bonneville T100 | 02-09 | R |
| Bonneville T100 (865cc) | 10-11 | R |

FA214/2 - TRIUMPH Contd.

| | | |
|--------------------------------------|-------|---|
| New America (865cc/cast wheel) | 10-11 | R |
| T595 Daytona | 97 | R |
| Speedmaster 800 | 03-04 | R |
| Speedmaster (865cc) | 05-11 | R |
| Scrambler (865cc) | 06-11 | R |
| Daytona 955i | 98-00 | R |
| Daytona 955i(from VIN No 132513) | 01-04 | R |
| Speed Triple (EFI) | 97-01 | R |
| Speedtriple 955cc | 02-04 | R |
| Speed triple (Radial caliper 1050cc) | 05-11 | R |
| Speed Triple (1050cc) | 08-09 | R |
| Sprint GT (1050cc/ABS) | 10-11 | R |
| Sprint RS (from VIN 139277) | 03-04 | R |
| Sprint ST (Up to VIN 139276) | 99-01 | R |
| Sprint ST (1050cc) | 05-10 | R |
| Thruxton 900 | 04-11 | R |

FA214

Equivalents OE#

T2020071-T301

FA214/2

Equivalents OE#

T2020555

T2020556

| | | |
|---------|-----------|--------------------------|
| STD | FA214 | Black - Touring - Road |
| OPTIONS | FA214HH | Sintered HH Sport - Road |
| STD | FA214/2 | Black - Touring - Road |
| OPTIONS | FA214/2HH | Sintered HH Sport - Road |

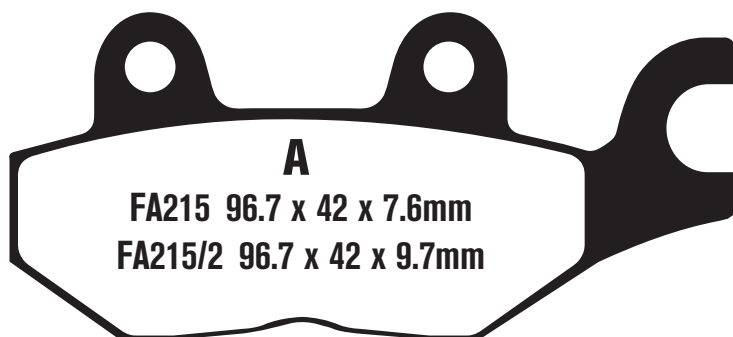
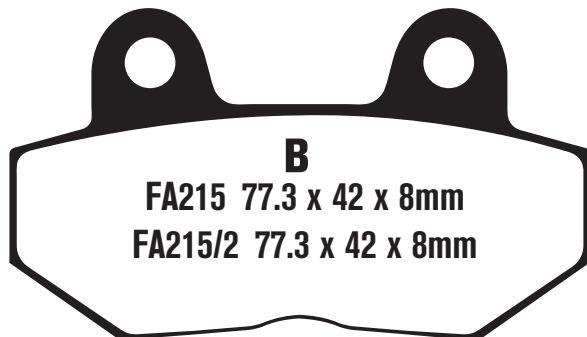
Competitor X Ref

| | | |
|-------------------|---|------------------------------------|
| SBS 611 | Yesrah VD340 = FA214 VD340/2 = | FA214/2 Ferodo FDB497 |
|-------------------|---|------------------------------------|

Dealer Stocking Recommendation

| | | |
|-------------------------|--------------------------|--------------------------------|
| Single/Pair 1 | Popularity # - | Rec Stocking Level 1 |
|-------------------------|--------------------------|--------------------------------|

FA215 FA215/2



FA215 - TRIUMPH

| | | |
|--------------------------|-------|---------|
| Sprint (All carb models) | 93 | F Right |
| Tiger (885cc) | 92-96 | F Right |
| Trident 900 | 92-98 | F Right |
| Trophy 900 (3 cyl) | 92-93 | F Right |
| Trophy 1200 (4 cyl) | 92-93 | F Right |

FA215/2 - TRIUMPH

| | | |
|---|-------|---|
| Daytona 750 (3 cyl) | 92 | R |
| Dayton 1000 (4 cyl) | 92 | R |
| Daytona 900 (3 cyl) | 93-96 | R |
| Daytona Super III (3 cyl) | 94-97 | R |
| Daytona 1200 (4 cyl) | 93-98 | R |
| Speed Triple (Carb models) | 94-97 | R |
| Sprint (All carb models up to VIN 9082) | 93 | R |
| Sprint (All carb models from VIN 9083) | 94-98 | R |
| Sprint RS (Up to VIN 139276) | 99-01 | R |
| Sprint RS (From VIN 139277) | 02 | R |

| | | |
|----------------|------------------|--------------------------|
| STD | FA215 | Black - Touring - Road |
| OPTIONS | FA215HH | Sintered HH Sport - Road |
| STD | FA215/2 | Black - Touring - Road |
| OPTIONS | FA215/2HH | Sintered HH Sport - Road |

| | | |
|------------------------------|-------|---|
| Tiger | 92-96 | R |
| Tiger 885cc | 92-98 | R |
| Tiger 955 (cast wheel model) | 04-06 | R |
| Trident 900 | 92-98 | R |
| Trophy 900 (3 cyl) | 92-01 | R |
| Tiger 1050 (Radial caliper) | 07-11 | R |
| Tiger (1050cc) | 07-08 | R |
| Tiger 1050 SE | 11 | R |
| Trophy 1200 (4 cyl) | 92-01 | R |

| | |
|------------------------|----------------------|
| FA215 | T2020072-T301 |
| Equivalents OE# | |

| | |
|------------------------|-----------------|
| FA215/2 | T2020560 |
| Equivalents OE# | |

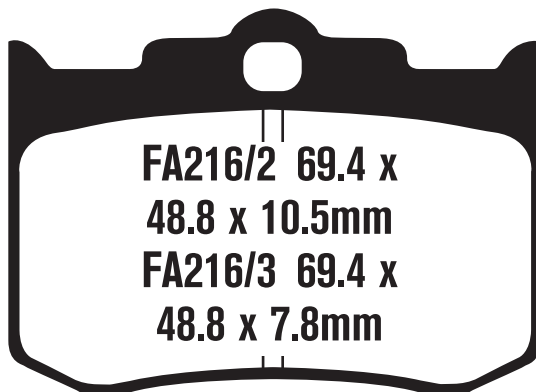
Competitor X Ref

| | | |
|-------------------|---|---|
| SBS 638 | Vesrah VD250 = FA215 VD250/2 = | FA215/2 Ferodo FDB631 |
|-------------------|---|---|

Dealer Stocking Recommendation

| | | |
|-------------------------|--------------------------|--------------------------------|
| Single/Pair 1 | Popularity # - | Rec Stocking Level 1 |
|-------------------------|--------------------------|--------------------------------|

FA216 Use FA216/3 FA216/2 FA216/3



FA216/3

Thunderheart
PERFORMANCE MACHINES
125 X 4R
125 X 4RSPH
137 X 4B

FA216/2

EBC 4 Piston Caliper
PERFORMANCE MACHINES
124 X 4HR
137 X 4B

Nova/Legends

Indian All models 02-08 F&R

Equivalents OE#

| |
|--------------|
| PM 0052/1602 |
| 8009008 |
| 8009007 |

Competitor X Ref

| | | |
|--|----------------------------------|--------------------|
| SBS 678=FA216 662=FA216/2 | Vesrah VD944 = FA216/3 | Ferodo - |
|--|----------------------------------|--------------------|

Dealer Stocking Recommendation

| | | |
|-------------------------|--------------------------|--------------------------------|
| Single/Pair 1 | Popularity # - | Rec Stocking Level 1 |
|-------------------------|--------------------------|--------------------------------|

| | | |
|----------------|------------------|--------------------------|
| STD | FA216 | Use FA216/3 |
| OPTIONS | FA216HH | Use FA216/3HH |
| OPTIONS | EPFA216HH | Discontinued |
| STD | FA216/2 | Black - Touring - Road |
| OPTIONS | FA216/2HH | Sintered HH Sport - Road |
| STD | FA216/3 | Black - Touring - Road |
| OPTIONS | FA216/3HH | Sintered HH Sport - Road |

FA217

Revtech/Wilwood 6 Piston VR1000 Race Caliper

Lockheed 6 piston Caliper
Type 3366/67



106 x 31.7 x 8.5mm

Equivalents OE# N/A

Competitor X Ref

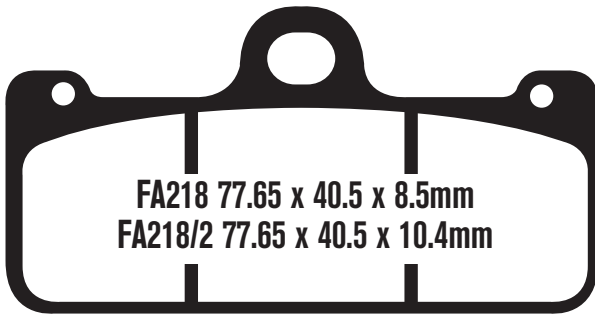
| | | |
|-------------------|--------------------|--------------------|
| <u>SBS</u> 660 | <u>Vesrah</u> - | <u>Ferodo</u> - |
|-------------------|--------------------|--------------------|

STD FA217 Green Race

Dealer Stocking Recommendation

| | | |
|-------------------------|--------------------------|--------------------------------|
| <u>Single/Pair</u> 2 | <u>Popularity #</u> - | <u>Rec Stocking Level</u> 0 |
|-------------------------|--------------------------|--------------------------------|

FA218 FA218/2



FA218 77.65 x 40.5 x 8.5mm
FA218/2 77.65 x 40.5 x 10.4mm

EPFA218HH - BREMBO

BREX A3 B8 60/61/30/31 Racing radial caliper 2 piece 4 piston F
BREX 10.48.13 & 14 GP 2 Piece 4 piston caliper F

EPFA218/2HH - BREMBO

BREX 97 37 60/61 Radial Monoblock Racing 4 piston F
BREX 10.17.40/41 Monobloc 4 piston caliper F

Dealer Stocking Recommendation

| | | |
|--------------------|---------------------|---------------------------|
| <u>Single/Pair</u> | <u>Popularity #</u> | <u>Rec Stocking Level</u> |
|--------------------|---------------------|---------------------------|

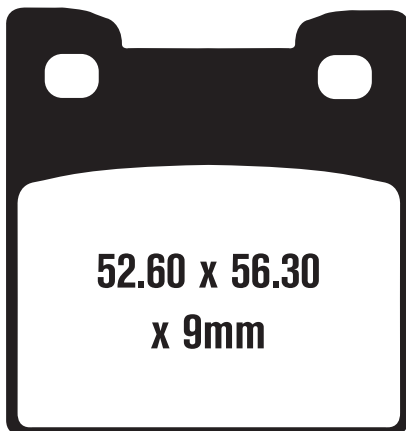
Equivalents OE# N/A

Competitor X Ref

| | | |
|-------------------|--------------------|--------------------------|
| <u>SBS</u> 711 | <u>Vesrah</u> - | <u>Ferodo</u> FDB2008 |
|-------------------|--------------------|--------------------------|

STD EPFA218HH Sintered HH Race
STD EPFA218/2HH Sintered HH Race

FA222



52.60 x 56.30
x 9mm

SUZUKI ROAD

RF 900 RR/RS/RS2 94-95 R

Equivalents OE# 69130 31E00

Competitor X Ref

| | | |
|-------------------|------------------------|--------------------------|
| <u>SBS</u> 701 | <u>Vesrah</u> VD350 | <u>Ferodo</u> FDB2058 |
|-------------------|------------------------|--------------------------|

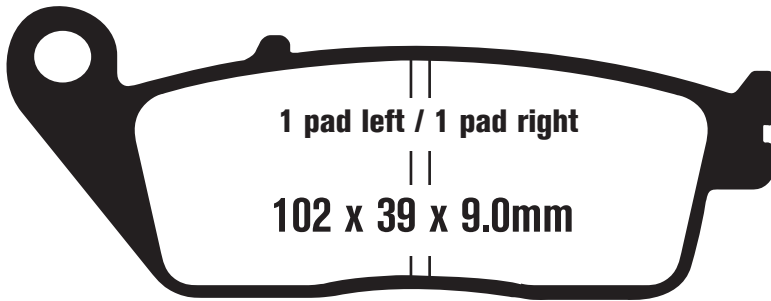
STD FA222 Black - Touring - Road

Dealer Stocking Recommendation

| | | |
|-------------------------|----------------------------|--------------------------------|
| <u>Single/Pair</u> 1 | <u>Popularity #</u> S25 | <u>Rec Stocking Level</u> 2 |
|-------------------------|----------------------------|--------------------------------|

All part numbers, prefixes and suffixes shown in this catalog are unique and form a registered copyright as the property of EBC Brakes and its UK trademark owners

FA226



HONDA ROAD

| | | |
|-------------------|-------|---|
| RS 125 | 90-94 | F |
| RS 250 | 90-94 | F |
| CBR 600 F3/SJR/SE | 95-98 | F |
| Street Triple 675 | 07-09 | F |
| 599 (CB 600 F) | 04/06 | F |
| Tiger 800 | 11 | F |
| Tiger 800 XC | 11 | F |

Equivalents OE#

| |
|---------------|
| 06455 MAL G01 |
| 06455 MV4 405 |
| 06455 MR4 405 |

Competitor X Ref

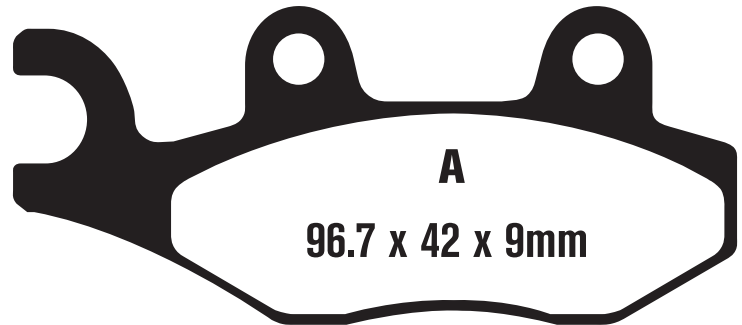
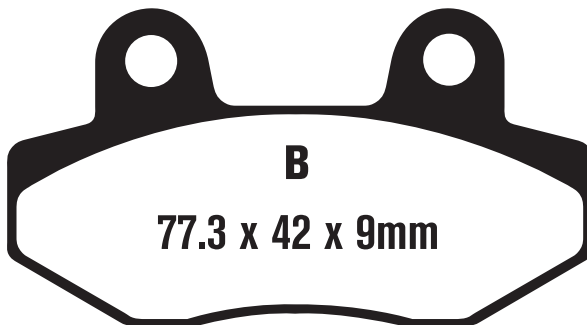
| SBS | Vesrah | Ferodo |
|-----|--------|---------|
| - | VD156 | FDB2131 |

| | | |
|----------------|------------------|--------------------------|
| STD | FA226 | Black Sport |
| OPTIONS | FA226HH | Sintered HH Sport - Road |
| | EPFA226HH | Sintered HH Race |

Dealer Stocking Recommendation

| Single/Pair | Popularity # | Rec Stocking Level |
|-------------|--------------|--------------------|
| 2 | H29 | 4 |

FA228



HONDA ROAD

| | | |
|-------------------|-------------|---|
| CMX 250 C 'Rebel' | 96/97/99-11 | F |
| CMX 250 C2 | 99-00 | F |

KYMCO

| | | |
|------------------|-------|--------|
| Agility 50 (4T) | 05-11 | F |
| Sento 50cc (4T) | 09-11 | F |
| Sting 50 (2T) | 07-11 | F |
| Vitality 50 (4T) | 05-08 | F |
| Yup 50 | 02-06 | F |
| Filly 50 | 02-05 | F |
| Agility 125 | 06-11 | F |
| People S 250 | 07-11 | F Left |

KAWASAKI

| | | |
|----------------------------------|-------|---|
| KL 650 E8F/E9F/EAF/EBF (KLR 650) | 08-11 | F |
|----------------------------------|-------|---|

SUZUKI STREET

| | | |
|---------------------------------|-------|--------|
| AN 400 K7/K8/K9/AK9/AL1 Burgman | 07-11 | F Left |
|---------------------------------|-------|--------|

Equivalents OE#

| | |
|-------------------|-----------------|
| 06455 KEB 900 | 45150 KEC8 3050 |
| 43082 0060 | 59100 05830 |
| 45105 KCE 3050 M2 | 59301 HP7 600 |

Competitor X Ref

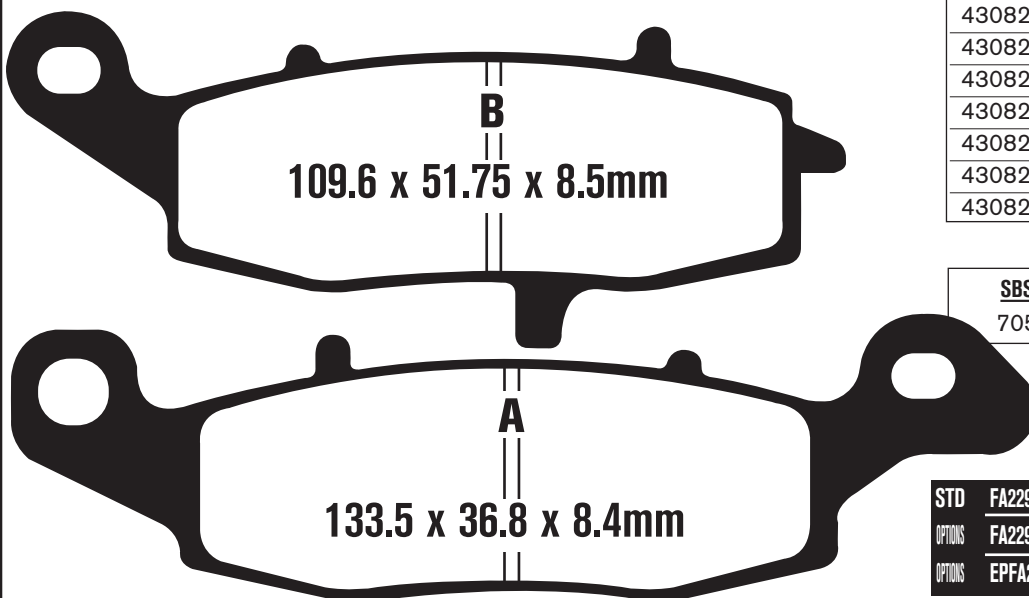
| SBS | Vesrah | Ferodo |
|-----|---------|--------|
| - | VD340/2 | FDB497 |

Dealer Stocking Recommendation

| Single/Pair | Popularity # | Rec Stocking Level |
|-------------|--------------|--------------------|
| 1 | - | 1 |

| | | |
|---------------|----------------|----------------------------|
| STD | FA228 | Black - Touring - Road |
| OPTION | FA228HH | Sintered - HH Sport - Road |

FA229



Equivalents OE#

| | |
|------------|-------------|
| 43082 0050 | 59300 33830 |
| 43082 1187 | 59301 33820 |
| 43082 1177 | 59301 33830 |
| 43082 1223 | 43082 1282 |
| 43082 1234 | 43082 0008 |
| 43082 1244 | 59302 33810 |
| 43082 1245 | |

Competitor X Ref

| SBS | Vesrah | Ferodo |
|-----|--------|---------|
| 705 | VD352 | FDB2048 |

| | | |
|---------|-----------|--------------------------|
| STD | FA229 | Black - Touring - Road |
| OPTIONS | FA229HH | Sintered HH Sport - Road |
| OPTIONS | EPFA229HH | Sintered HH Race |

KAWASAKI

| | | |
|---|----------|--------|
| ER 650 C9F/CAF ER-6N | 09-10 | F Left |
| EX 650 Ninja 650 R A6F/A7F/A8F/C9F/CAF/CBF | 06-11 | F Left |
| KLE 650 A7F/A8F/A9F/CAF/CBF Versys | 07-11 | F Left |
| ZR 750 F2 (ZR-7) | 00 | F Left |
| ZR7-S (ZR 750 H1/H2/H3/H4/H5) | 01-05 | F Left |
| Z 750 S (ZR 750 K1/K6F) | 05-06 | F Left |
| VN 800 B1-B10 | 96-05 | F |
| VN 800 Drifter C1/C2/E1/E2/E3/E4/E5/E6F | 99-06 | F |
| VN 900 D6F/D7F/D8F/D9F/DAF/DBF Vulcan Classic LT | 06-11 | F Left |
| VN 900 Vulcan Classic B6F/B7F/B8F/B9F/BAF/BBFA | 06-11 | F |
| VN 900 C7F/C8F/C9F/CAF/CBF (Cast Wheels) | 07-11 | F |
| KZ 1000 P21-P22/P23 | 02-03/05 | F Left |
| GPZ 1100 (ZX 1100 E1/E2/E3) | 95-97 | F Left |
| ZR 1100 B1 Zephyr | 96 | F Left |
| VN 1500 G1/G1A/G2A/G3 Nomad | 99-02 | F Left |
| VN 1500 Drifter J1/J2/R1/R2/R3/R4/R5 | 99-05 | F |
| VN 1500 D1/D2/E1-E7 Vulcan Classic | 96-04 | F |
| VN 1500 N1/N2/N3 Vulcan Classic | | |
| Fi/L2/L3/L4/L5/L6 Nomad Fi | 00-05 | F Left |
| VN 1500 N4/N6F/N7F/N8F/N8FA Vulcan 1500 Classic | 05-08 | F |
| VN 1600 A1/A2/A3/A6F/A7F/A7FA/A8F/A8FA Vulcan Classic | 03-08 | F Left |
| VN 1600 D1 Nomad D6F/D7F/D7FA/D8F/D8FA | 05-08 | F Left |
| VN 1700 C9F/CAF/CBF Vulcan 1700 Nomad | 09-11 | F Left |
| VN 1700 C9FA Vulcan 1700 Nomad 2T | 09 | F Left |
| VN 1700 E9F/EAF/EBF Vulcan 1800 Classic | 09-11 | F Left |
| VN 1700 G9F/GAF Vulcan 1700 Classic LT | 09-11 | F Left |
| VN 1700 Voyager Vaquero JBF/JBFA | 11 | F Left |

SUZUKI ROAD

| | | |
|--|-------|--------|
| GSF 600 SY/SK1/SK2/SK3/AL1 | 00-03 | F Left |
| GSX 600 FW/FX/FY/FK1-FK6 Katana | 98-06 | F Left |
| SFV 650 K9 Gladius | 09-10 | F Left |
| SV 650 X/Y/K1/SK1/K2/SK2/K3/SK3/K4/SK4/K5/SK5 | | |
| /K6/SK6/K7/SK7/SK8/K8/SK9/SF8/SF9/SFL0 | 99-10 | F Left |
| SV 650 AK7/AK8/K7/K8/K9/L0 ABS | 07-10 | F Left |
| SV 650 SAK7/SAK8/SAK9/SFA8/SFA9/SFL0 ABS | 07-10 | F Left |
| GSX 750 FW/FX/FY/FK1-FK6/K6/SK6 | 98-06 | F Left |
| M 1500 K9 M90 Boulevard | 09 | F Left |
| VL 1500 K2/K3/K4 | 02-03 | F Left |
| VL 1500 BK5/K5/TK5/BK6/K6/TK6/K7/TK7/K8/TK8/K9/TK9 | | |
| Boulevard C90/C90T | 05-10 | F Left |

SUZUKI DIRT

| | | |
|---|-------|--------|
| DL 650 K4/K5/K6/K7/K8/K9 V-Strom | 04-09 | F Left |
| DL 650 AK7/AK8/AK9/AL1 V-Strom | 07-10 | F Left |
| DL 1000 K2/K3/K4/K5/K6/K7/K8/K9 V-Strom | 02-09 | F Left |

Dealer Stocking Recommendation

| Single/Pair | Popularity # | Rec Stocking Level |
|-------------|--------------|--------------------|
| 1 | - | 2 |

FA230



SUZUKI DIRT

| | | |
|--------------------------------------|-------|---|
| RM 80 T/V/W/X/Y/K1 | 96-01 | F |
| RM 85 K2/K3/LK3/K4/LK4 | 02-04 | F |
| DR-Z 125 LK3/LK4/LK5/LK6/LK7/LK8/LK9 | 03-09 | F |

KAWASAKI DIRT

| | | |
|--------------------------|-------|---|
| KLX 125 L (B1/B2/B3/B6F) | 03-06 | F |
|--------------------------|-------|---|

Equivalents OE#

| | |
|-------------|-------------|
| 59300 03880 | 59300 20890 |
| 59300 20830 | 43082 S005 |
| 59300 20841 | 43082 S015 |

Competitor X Ref

| SBS | Vesrah | Ferodo |
|-----|--------|---------|
| 702 | VD351 | FDB2133 |

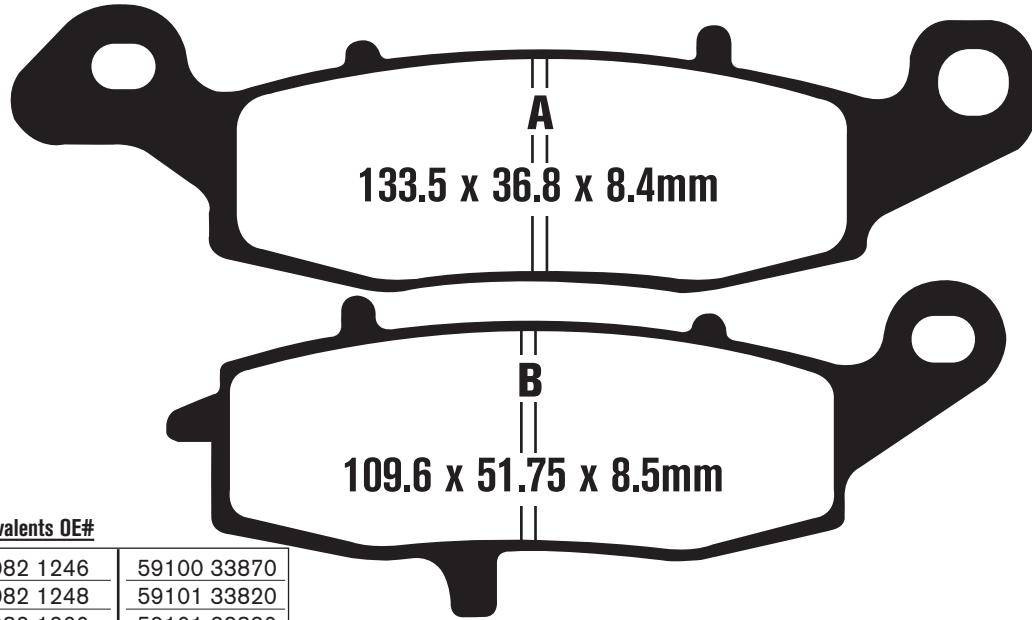
| | | |
|---------|--------|---------------------------|
| STD | FA230X | Red - Off Road |
| OPTIONS | FA230R | Sintered Off Road Utility |

Dealer Stocking Recommendation

| Single/Pair | Popularity # | Rec Stocking Level |
|-------------|--------------|--------------------|
| | - | - |

All part numbers, prefixes and suffixes shown in this catalog are unique and form a registered copyright as the property of EBC Brakes and its UK trademark owners

FA231



Equivalents OE#

| | | |
|------------|-------------|-------------|
| 43082 0016 | 43082 1246 | 59100 33870 |
| 43082 0063 | 43082 1248 | 59101 33820 |
| 43082 0051 | 43082 1260 | 59101 33830 |
| 43082 1188 | 43082 1264 | 59102 33810 |
| 43082 1178 | 43082 1265 | K4308 1264 |
| 43082 1226 | 43082 1283 | 69100 01880 |
| 43082 1232 | 43083 1275 | |
| 43082 1235 | 59100 33850 | |

KAWASAKI

| | | |
|--|----------|-------------|
| ER 650 C9F/CAF ER-6N | 09-10 | F Right |
| EX 650 Ninja 650 R A6F/A7F/A8F/C9F/CAF/CBF | 06-11 | F Right |
| KLE 650 A7F/A8F/A9F/CAF/CBF Versys | 07-11 | F Right |
| W 650 (EJ 650 A2/A3/A4) | 00-02 | F |
| ZR 750 F2 (ZR-7/ZR7'S) | 00-01 | F Right & R |
| ZR7-S (ZR 750 H1/H2/H3/H4/H5) | 01-05 | F Right & R |
| Z 750 S (ZR 750 K1/K6F) | 05-06 | F Right |
| VN 800 Drifter C1/C2/E1/E2/E3/E4/E5/E6F | 99-06 | R |
| VN 900 Vulcan Classic LT D6F/D7F/D8F/D9F/DAF/DBF | 06-11 | R |
| VN 900 Vulcan Classic B6F/B7F/B8F/B9F/BAF/BBFA | 06-11 | R |
| VN 900 C7F/C8F/C9F/CAF/CBF (Cast Wheels) | 07-11 | R |
| KZ 1000 P21-P22/P23 | 02-03/05 | F Right |
| GPZ 1100 (ZX 1100 E1/E2/E3/F1) | 95-97 | F Right |
| ZR 1100 B1 ZEPHYR | 96 | F Right |
| VN 1500 G1/G1A/G2A/G3/L2/L3/L4/L5/L6 Nomad Fi | 99-05 | F Right & R |
| VN 1500 Drifter J1/J2/R1/R2/R3/R4/R5 | 99-05 | R |
| VN 1500 N1/N2/N3 Vulcan Classic Fi | 00-02 | R |
| VN 1500 E4/E5/E6/E7 Vulcan Classic | 01-04 | R |
| VN 1500 P1/P2 Mean Streak | 02-03 | R |
| VN 1500 N4/N6F/N7F/N8F/N8FA Vulcan 1500 Classic | 05-08 | R |
| VN 1600 A1/A2/A3/A6F/A7F/A7FA/A8F/A8FA Vulcan Classic | 03-08 | F Right |
| VN 1600 B1 Mean Streak | 04 | R |
| VN 1600 D1/D6F/D7F/D7FA/D8F/D8FA Nomad | 05-08 | F Right & R |
| VN 1600 B2/B6F/B7F/B7FA/B8F/B8FA Mean Streak | 05-08 | R |
| VN 1700 A9FA/AAF/ABF Vulcan 1700 Voyager | 09-11 | R |
| VN 1700 B9FA/BAF/BBF Vulcan 1700 Voyager ABS | 09-11 | R |
| VN 1700 C9F/CAF/CBF Vulcan 1700 Nomad | 09-11 | F Right & R |
| VN 1700 C9FA Vulcan 1700 Nomad 2T | 09 | F Right & R |
| VN 1700 E9F/EAF/EBF Vulcan 1700 Classic | 09-11 | F Right & R |
| VN 1700 G9F/GAF Vulcan 1700 Classic LT | 09-11 | F Right & R |
| VN 1700 Voyager Vaquero JBF/JBFA | 11 | F Right & R |
| VN 2000 A1/A2/A6F/A7F/G8F/G9F Vulcan | 04-09 | R |
| VN 2000 D1/D6F Vulcan Ltd | 05-06 | R |
| VN 2000 E6F/E7F/H8F/H9F Vulcan Classic | 06-09 | R |
| VN 2000 F6F/F7F/J8F/J9F/JAF Vulcan Classic LT | 06-10 | R |

SUZUKI ROAD

| | | |
|---|-------|-------------|
| GS 500 ET/EV/EW/EX/EY/K1/K2/K3/FK4/FK5/FK6 /FK7/FK8/FK9/FL0 | 96-10 | F |
| GSF 600 SY/SK1/SK2/SK3 | 00-03 | F Right |
| GSX 600 FW/FX/FY/FK1-FK6 Katana | 98-06 | F Right |
| SVF 650 K9 Gladius | 09-10 | F Right |
| SV 650 X/Y/K1/SK1/K2/SK2/K3/SK3/K4/SK4/ K5/SK5/K6/SK6/SK7/SK8/K8/SK9 | 99-10 | F Right |
| SV 650 AK7/AK8/K7/K8/K9 ABS | 07-10 | F Right |
| SV 650 SAK7/SAK8/SAK9 ABS | 07-10 | F Right |
| GSX 750 FW/FX/FY/FK1-FK6 Katana | 98-06 | F Right |
| GSX 750 W/X/Y Inazuma | 98-00 | F Right |
| VL 800 K1/K2/K3/K4 Intruder Volusia | 01-04 | F |
| VL 800 CK5/K5/TK5/CK6/K6/TK6/K7/ZK7/TK7 /TK8/TK9/TK9/L1 Boulevard C50/C50T | 05-11 | F |
| VZ 800 Marauder V/W/X/Y/K1/K2/K3/K4 | 97-04 | F |
| VZ 800 K5/K6/BK6/K7/ZK7/K8/ZK8/ZK9 /ZK9/L0 M50 Boulevard | 05-10 | F |
| DL 1000 K2/K3/K4 V-Strom | 02-04 | F Right |
| M 1500 K9 M90 Boulevard | 09 | F Right & R |
| VL 1500 K2/K3/K4 | 02-04 | F Right |
| VL 1500 BK5/K5/TK5/BK6/K6/TK6/K7 /TK7/K8/TK8/K9/TK9 Boulevard C90/C90T | 05-09 | F Right |
| VZ 1600 K4 Marauder | 04 | R |
| VZ 1600 K5 M95 Boulevard/Marauder | 05 | R |
| VLR 1800 TK8/TK9 C109 RT Touring | 08-10 | R |
| VLR 1800 K8/K9/L0 C109 R | 08-10 | R |
| VZR 1800 K6/K7/ZK7/RK8/ZK8/RZK9/RK9/RZL1 Boulevard M109R | 06-11 | R |
| C 109 RT Boulevard (1783cc) VLR 1800 RTK8/RTK9 | 08-09 | R |
| C 109 R Boulevard (VLR 1800 K8) | 08 | R |
| VZR 1800 R2K8/R2K9/R2K1 Boulevard R2 (M109R2) | 08-11 | R |

SUZUKI DIRT

| | | |
|----------------------------------|-------|---------|
| DL 650 K4/K5/K6/K7/K8/K9 V-Strom | 04-09 | F Right |
| DL 650 AK7/AK8/AK9/AL1 | 07-11 | F Right |
| DL 1000 K2/K3/K4/K5/K6/K7/K8/K9 | 02-09 | F Right |

| | | |
|----------------|------------------|--------------------------|
| STD | FA231 | Black - Touring - Road |
| OPTIONS | FA231HH | Sintered HH Sport - Road |
| OPTIONS | EPFA231HH | Sintered HH Race |

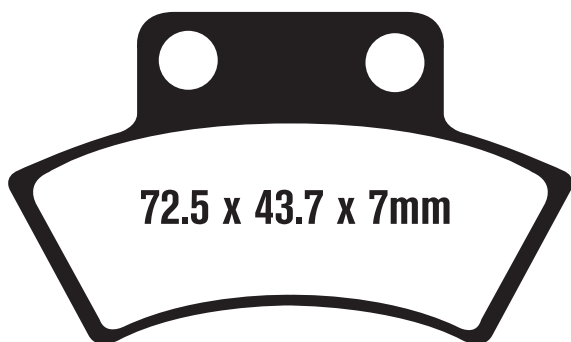
**Dealer Stocking
Recommendation**

Competitor X Ref

| | | | |
|--------------------|-------------------|---------------------------|--------------------------|
| | SBS 704 | Vesrah VD435 | Ferodo FDB2049 |
| Single/Pair | 1 | Popularity # | - |
| | | Rec Stocking Level | 1 |

All part numbers, prefixes and suffixes shown in this catalog are unique and form a registered copyright as the property of EBC Brakes and its UK trademark owners

FA232



72.5 x 43.7 x 7mm

POLARIS

All disc rear brake models - check application pages for main fitments.

E-TON QUADS

RXL-50M Viper (4T) Parking brake

This pad has increased friction area. Can be fitted in place of FA178 to improve wear life on Polaris ATV's

Equivalents OE#

| |
|---------|
| 2200464 |
| 2200899 |

Competitor X Ref

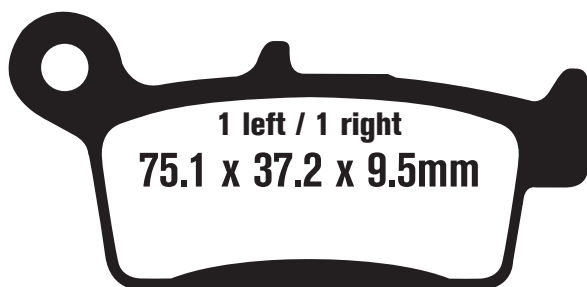
| | | |
|-------------------|------------------------|--------------------------|
| SBS 717 | Vesrah VD950 | Ferodo FDB2054 |
|-------------------|------------------------|--------------------------|

| | | |
|----------------|---------|---------------------------|
| STD | FA232X | Red - Off Road |
| OPTIONS | FA232R | Sintered Off Road Utility |
| | FA232SV | Sintered ATV Severe Duty |

Dealer Stocking Recommendation

| | | |
|-------------------------|---------------------------|--------------------------------|
| Single/Pair 1 | Popularity # P2 | Rec Stocking Level 2 |
|-------------------------|---------------------------|--------------------------------|

FA233



1 left / 1 right
75.1 x 37.2 x 9.5mm

KYMCO

Cobra Cross/Cobra 50
ZX 50

02-05 F
02-05 F

Equivalents OE#

| |
|----------------|
| 45105 KCX E050 |
|----------------|

Competitor X Ref

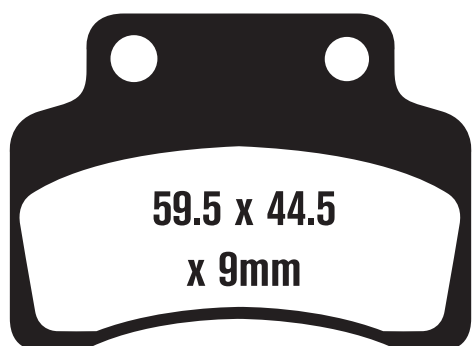
| | | |
|-------------------|----------------------|-------------------------|
| SBS N/A | Vesrah N/A | Ferodo FDB672 |
|-------------------|----------------------|-------------------------|

Dealer Stocking Recommendation

| | | |
|--------------------|---------------------|---------------------------|
| Single/Pair | Popularity # | Rec Stocking Level |
|--------------------|---------------------|---------------------------|

| | | |
|------------|-------|------------------------|
| STD | FA233 | Black - Touring - Road |
|------------|-------|------------------------|

FA235



59.5 x 44.5
x 9mm

CPI

Oliver City 50

05-09 F

UM (UNITED MOTORS)

Zyclone 50

04-05 R

Equivalents OE#

| |
|------------------|
| 45150 KBK9000 MZ |
| 45110 J4FT 0000 |

Competitor X Ref

| | | |
|-------------------|------------------------|--------------------|
| SBS N/A | Vesrah VD996 | Ferodo - |
|-------------------|------------------------|--------------------|

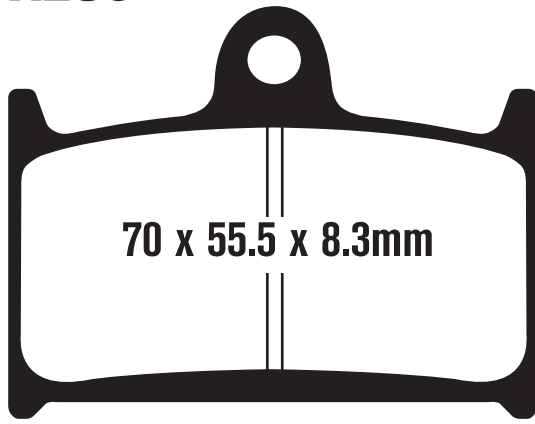
Dealer Stocking Recommendation

| | | |
|--------------------|---------------------|---------------------------|
| Single/Pair | Popularity # | Rec Stocking Level |
|--------------------|---------------------|---------------------------|

| | | |
|------------|-------|------------------------|
| STD | FA235 | Black - Touring - Road |
|------------|-------|------------------------|

All part numbers, prefixes and suffixes shown in this catalog are unique and form a registered copyright as the property of EBC Brakes and its UK trademark owners

FA236



70 x 55.5 x 8.3mm

TRIUMPH

| | | |
|--------------------------------------|-------|---|
| Daytona 600 | 03-04 | F |
| T595 Daytona | 97 | F |
| Daytona 955i | 98-00 | F |
| Daytona 955i (From VIN 132513) | 01-04 | F |
| Daytona 650 | 05 | F |
| Daytona 750 (3 cyl) | 92 | F |
| Daytona 100 (4 cyl) | 92 | F |
| Daytona 900 (3 cyl) | 93-96 | F |
| Daytona 1200 (4 cyl) | 93-98 | F |
| Speed Triple (Carb models) | 94-97 | F |
| Speed Triple (EFI) | 97-01 | F |
| Speed Triple 955cc (from VIN 141872) | 02-04 | F |
| Speedfour 600 | 02-05 | F |
| Rocket III 2300cc | 04-09 | F |
| Rocket III Classic | 07-09 | F |
| Rocket III Roadster | 11 | F |
| Rocket III Touring | 09 | F |
| Sprint (carb models from VIN 9083) | 94-98 | F |
| Sprint GT (1050cc/ABS) | 10-11 | F |
| Sprint RS (up to VIN 139276) | 99-01 | F |
| Sprint RS (from VIN 139277) | 02 | F |
| Sprint RS (From VIN 139277) | 03-04 | F |
| Sprint ST (up to VIN 139276) | 99-01 | F |
| Sprint ST (From VIN 139277) | 02-04 | F |
| Sprint ST (1050cc) | 05-10 | F |
| Trophy 900 (3cyl) | 94-01 | F |
| Trophy 1200 (4 cyl) | 94-01 | F |
| Thunderbird 1600 (Cast wheel) | 09 | F |
| Thunderbird Storm (1700cc) | 11 | F |
| TT 600 | 00-03 | F |

Equivalents OE#

| |
|----------|
| T2020245 |
|----------|

Competitor X Ref

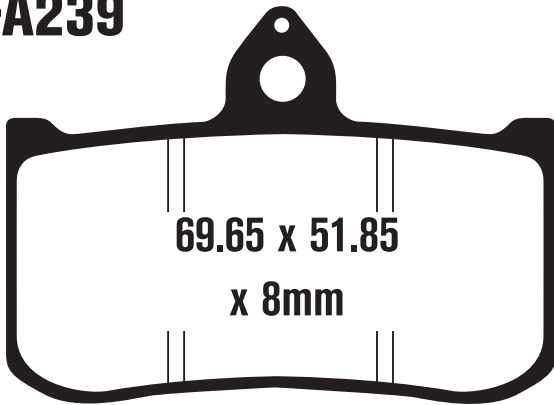
| | | |
|-------------------|------------------------|-------------------------|
| SBS 624 | Vesrah VD343 | Ferodo FDB557 |
|-------------------|------------------------|-------------------------|

| | | |
|----------------|----------------|--------------------------|
| STD | FA236 | Black - Touring - Road |
| OPTIONS | FA236HH | Sintered HH Sport - Road |

Dealer Stocking Recommendation

| | | |
|--------------------|---------------------|---------------------------|
| <u>Single/Pair</u> | <u>Popularity #</u> | <u>Rec Stocking Level</u> |
| 2 | - | 2 |

FA239



**69.65 x 51.85
x 8mm**

HONDA (RACE BIKES)

| | | |
|------------|-------|---|
| RS 125/250 | 95-03 | F |
|------------|-------|---|

Equivalents OE#

45105 NX4 770

Competitor X Ref

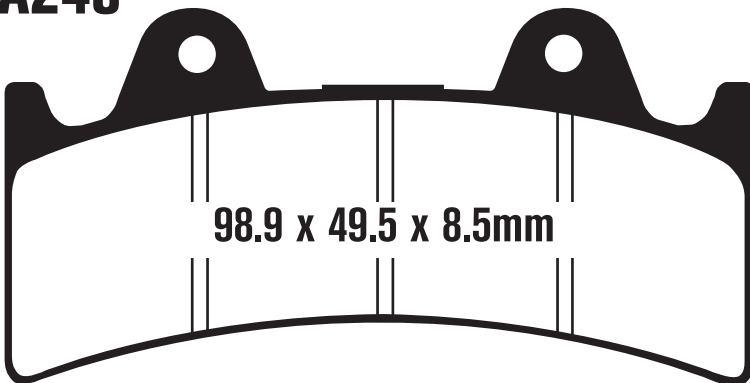
| | | |
|-----------------|--------------------|-------------------------|
| SBS - | Vesrah - | Ferodo FDB858 |
|-----------------|--------------------|-------------------------|

| | | |
|----------------|------------------|------------------|
| STD | GFA239 | Green Race |
| OPTIONS | EPFA239HH | Sintered HH Race |

Dealer Stocking Recommendation

| | | |
|--------------------|---------------------|---------------------------|
| <u>Single/Pair</u> | <u>Popularity #</u> | <u>Rec Stocking Level</u> |
| 1 | - | 0 |

FA243



98.9 x 49.5 x 8.5mm

JAYBRAKE AFTERMARKET CALIPERS

J-Six (300-64) (6 piston type)

Equivalents OE#

N/A

Competitor X Ref

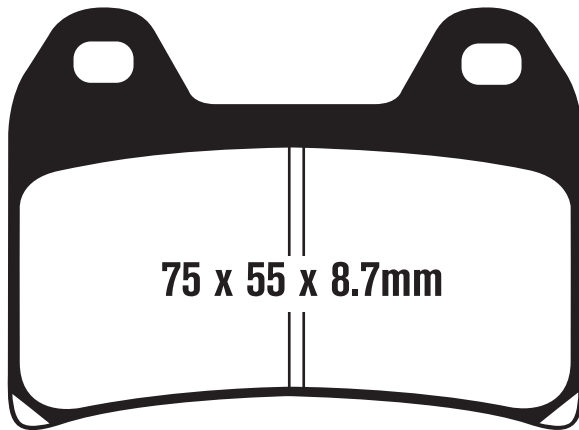
| | | |
|-----------------|--------------------|--------------------------|
| SBS - | Vesrah - | Ferodo FDB2031 |
|-----------------|--------------------|--------------------------|

| | | |
|----------------|----------------|--------------------------|
| STD | FA243 | Black - Touring - Road |
| OPTIONS | FA243HH | Sintered HH Sport - Road |

Dealer Stocking Recommendation

| | | |
|--------------------|---------------------|---------------------------|
| <u>Single/Pair</u> | <u>Popularity #</u> | <u>Rec Stocking Level</u> |
| 2 | - | 0 |

FA244



Equivalents OE#

| |
|--------------|
| 613 4 0201A |
| 613 4 004 2A |
| 613 4 041 1A |
| 4HM W0045 00 |
| 4HM W0045 50 |
| 800095542 |
| 2202492 |

| | | | | | |
|---|-------|---|--|-------|---|
| APRILIA | | | Monster 1000 Dark | 03 | F |
| RS 250 | 99-03 | F | Monster 1000 S ie (992cc) | 03-05 | F |
| RSV 1000/Mille/SP | 98-01 | F | Monster S2R 1000 (992cc) | 06-08 | F |
| RSV Tuono | 02-05 | F | Multistrada 1000 DS (992cc) | 03-05 | F |
| SL 1000 'Falco' | 00-05 | F | Multistrada S 1000 DS (992cc) | 05-06 | F |
| BREBBO | | | Hypermotard 1100 | 07-09 | F |
| 20-6800 10/20 | | F | Monster 1100 | 09-11 | F |
| BRE 20 6800 10/20 4 piston | | F | Monster 1100 S | 09-11 | F |
| BMW | | | Multistrada 1100 (1078cc) | 07-09 | F |
| G 650 X-Moto | 07-09 | F | Multistrada 1100 S (1078cc) | 07-09 | F |
| F 800 S/ST | 06-11 | F | Multistrada 1200 | 10-11 | F |
| F 800 R | 09-11 | F | Multistrada 1200 S (Sport/Touring Editions) | 10-11 | F |
| DUCATI | | | HUSQVARNA | | |
| 400 Monster | 00-02 | F | LT 610 | 00 | F |
| 400 Monster (Japan) | 00-04 | F | SM 610 R/610 S/610 | 99-06 | F |
| Monster Dark ie 400 (Single disc) | 05-06 | F | KTM | | |
| 600 Monster | 00-01 | F | SMC 625 | 05 | F |
| Monster 620 ie (Single disc) | 02-04 | F | Duke II 640 Orpheus/Titan/Lime | 01- | F |
| Monster 620 Dark | 03-04 | F | Duke II 640 Black/Orange | 02 | F |
| Multistrada 620 Dark | 05-06 | F | 640 Duke (Jet Black/Yellow/Adrenalin Orange) | 03-05 | F |
| 620 Sport | 03 | F | SMC 640 LC4 | 05 | F |
| 696 Monster | 08-11 | F | SMC 660 | 05 | F |
| 748 SPS | 98-99 | F | 690 Supermoto | 02-08 | F |
| 748 R (2 pad caliper) | 00 | F | MOTO GUZZI | | |
| 748 SP/Monoposto | 99-02 | F | 750 Nevada/Club | 03 | F |
| 748 (Biposto) | 00-02 | F | Nevada Classic 750 ie | 05-08 | F |
| 748 (Monoposto) | 00-02 | F | V7 Cafe Classic | 11 | F |
| 748 Testa Bassa | 01 | F | V 750 ie Brevia | 03-08 | F |
| 750 Supersport | 99 | F | V7 Classic | 08-11 | F |
| 750 Supersport IE | 00-02 | F | California Jackel 1100 | 99-01 | F |
| 750 Sport | 01-02 | F | California Special 1100 | 99-01 | F |
| 750 Monster | 00-01 | F | Griso 1100 | 05-08 | F |
| Monster ie 750 | 02 | F | V11 Sport/Scura/Naked | 99-00 | F |
| Hypermotard 796 | 10-11 | F | V11 Le Mans Series | 01-06 | F |
| 796 Monster | 10-11 | F | Brevia V1100 | 05-08 | F |
| Monster 800 | 03-04 | F | Brevia 1100 (Non ABS Model) | 05-07 | F |
| 800 Sport | 03 | F | California Stone Series | 02-06 | F |
| 800 Supersport | 03-05 | F | California EV Series | 02-06 | F |
| 848 (Radial 2 pad caliper) | 08-09 | F | Brevia 1200 Sport | -08 | F |
| 900 Supersport | 98-99 | F | California Vintage 750 | 06-10 | F |
| 900 Supersport IE | 00-01 | F | Griso 1200 8V | 09-11 | F |
| 900 Sport | 02 | F | Norge 1200 | 06-11 | F |
| ST2 (944cc) | 00-03 | F | Stevlio 1200 (4V/ABS) | 09-11 | F |
| Monster 1000 ie (992cc) | 04-05 | F | MV (AUGUSTA) | | |
| 900 IE Monster | 00-01 | F | Brutale 989 R | 08-09 | F |
| 900 MH Evoluzione | 00-01 | F | Brutale 990 R | 10 | F |
| 916 SPS (996cc) | 97-98 | F | VICTORY | | |
| Monster S4 Foggy (916cc) | 01-02 | F | V92C/SC | 98-03 | F |
| ST4 (916cc) | 99-02 | F | Hammer | 05-07 | F |
| ST2 (944cc) | 97-99 | F | Hammer S | 07 | F |
| 996 SPS (996cc) | 99 | F | Vegas 8 Ball/Jackpot | 05-07 | F |
| 996 (996cc) (Monoposto/Biposto) | 99-01 | F | Ness Signature Series | 05-07 | F |
| 996 S | 01 | F | King Pin Tour | 04-07 | F |
| Sport 1000 S | 07-09 | F | Vegas | 03-07 | F |
| Supersport 1000 DS (992cc) | 03-06 | F | | | |
| ST3 S (ABS) (992cc) | 06-07 | F | | | |
| Monster S4R (996cc) (2 pad caliper) | 05-06 | F | | | |
| Monster S4R (996cc) | 03-06 | F | | | |
| ST4S (Non ABS/996cc) | 01-05 | F | | | |
| ST4S (ABS Model/996cc) | 03-05 | F | | | |
| 998 (998cc) (2 pad caliper) (Monoposto/Biposto) | 02-03 | F | | | |

Competitor X Ref

| | | |
|-------------------|------------------------|--------------------------|
| SBS 706 | Vesrah VD262 | Ferodo FDB2042 |
|-------------------|------------------------|--------------------------|

Dealer Stocking Recommendation

| | | |
|-------------------------|--------------------------|--------------------------------|
| Single/Pair 2 | Popularity # - | Rec Stocking Level 2 |
|-------------------------|--------------------------|--------------------------------|

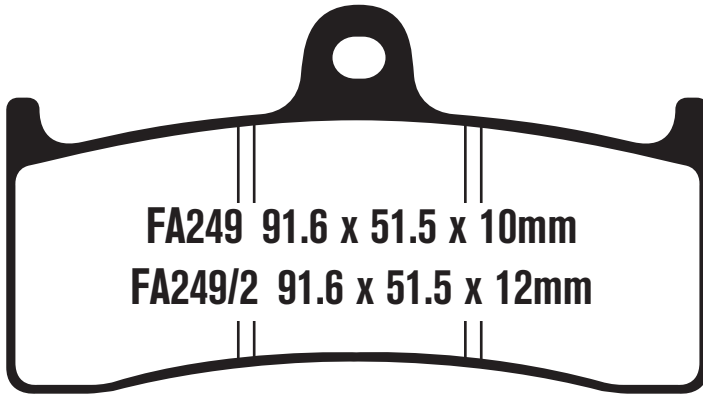
| | | |
|----------------|------------------|--------------------------|
| STD | FA244 | Black - Sport |
| OPTIONS | FA244HH | Sintered HH Sport - Road |
| | EPFA244HH | Sintered HH Race |

All part numbers, prefixes and suffixes shown in this catalog are unique and form a registered copyright as the property of EBC Brakes and its UK trademark owners

FA249

FA249/2

FA249
PERFORMANCE MACHINES
 112 x 6B
 112 x 6QC
FA249/2
BEHRINGER
 6 piston endurance type



Equivalents OE# 42386 984

| | | |
|----------------|------------------|--------------------------|
| STD | FA249 | Black - Sport |
| OPTIONS | FA249HH | Sintered HH Sport - Road |
| | EPFA249HH | Sintered HH Race |
| | FA249PM | Black |
| STD | FA249/2 | Black - Sport |

Competitor X Ref - FA249

| | | |
|-------------------|------------------------|--------------------------|
| SBS 676 | Vesrah VD937 | Ferodo FDB2036 |
|-------------------|------------------------|--------------------------|

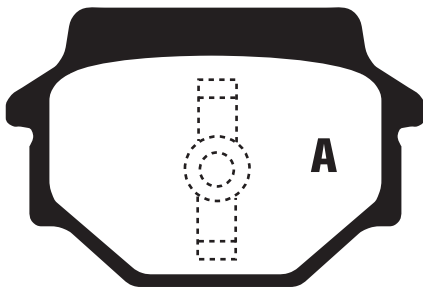
Competitor X Ref - FA249/2

| | | |
|-------------------|---------------|---------------|
| SBS 779 | Vesrah | Ferodo |
|-------------------|---------------|---------------|

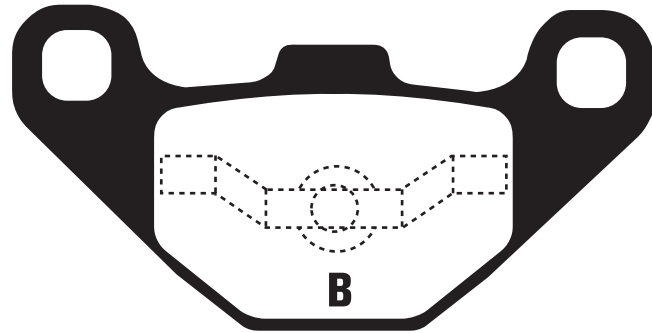
Dealer Stocking Recommendation

| | | |
|-------------------------|--------------------------|--------------------------------|
| Single/Pair 2 | Popularity # - | Rec Stocking Level 2 |
|-------------------------|--------------------------|--------------------------------|

FA251



55.5 x 37 x 10mm



85 x 43 x 8mm

BUELL

| | | |
|-------------------|-------|---|
| S2/S3 Thunderbolt | 94-97 | R |
| M2 Cyclone | 94-97 | R |
| S1 Lightning | 94-97 | R |

HUSQVARNA

| | | |
|--------|-------|---|
| CR 125 | 91 | R |
| WR 125 | 91 | R |
| WR 240 | 90-91 | R |
| CR 250 | 91 | R |
| WR 250 | 90-91 | R |
| WR 260 | 90-91 | R |
| TE 350 | 90-91 | R |
| TC 510 | 90 | R |
| TE 510 | 90 | R |
| TC 610 | 91 | R |
| TE 610 | 91 | R |

SAME AS FA67 BUT WITH ANTI-DROP OUT HARDWARE

Equivalents OE#

42385 94Y

Competitor X Ref

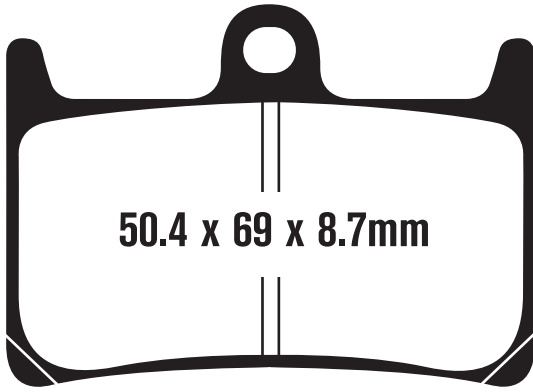
| | | |
|-------------------|------------------------|-------------------------|
| SBS 692 | Vesrah VD425 | Ferodo FDB314 |
|-------------------|------------------------|-------------------------|

Dealer Stocking Recommendation

| | | |
|-------------------------|--------------------------|--------------------------------|
| Single/Pair 1 | Popularity # - | Rec Stocking Level 1 |
|-------------------------|--------------------------|--------------------------------|

| | | |
|------------|--------------|------------------------|
| STD | FA251 | Black - Touring - Road |
|------------|--------------|------------------------|

FA252



50.4 x 69 x 8.7mm

YAMAHA ROAD BIKE

| | | |
|---|----------|---|
| FZR 400 RRSP/RR/RW | 91-92 | F |
| XP 500 Y/Z/A (T-Max) | 09-11 | F |
| YZF 600 RJ/RK/RL/RM/RN/RP/RR/RS/RT/RV | 97-07 | F |
| YZF 600 RRL/RRM/RRN/RRP/RRR/RRS "R6" | 99-04 | F |
| YZF R6S (YZFR SV/SW/SX/SY) (298mm rotor) | 06-09 | F |
| FZ6 W/X/Y (4 piston caliper) | 07-09 | F |
| YZF 750 R7 OWO2 Road version | 99-01 | F |
| FZS 1000 N/NC/P/PC/R/RC/S/RS/T 'FZ1' | 01-05 | F |
| YZF 1000 RJ | 97 | F |
| YZF R1 | 98-03 | F |
| FJR 1300 R/RC | 03 | F |
| FJR 1300 S/RS/AS/T | 04-05 | F |
| XV 1700 Road Star Silverado S (Cast wheel) | 08-11 | F |
| XV 1700 Road Star Midnight Warrior | 05 | F |
| XV 1700 Road Star (Spoke wheels) | 06 | F |
| XV 1700 Road Star (Cast wheel) | 04/07-10 | F |
| XV 1700 Road Star Midnight (Cast wheel) | 04-07 | F |
| XV 1700 Road Star Midnight Silverado (Cast wheel) | 04-07 | F |
| XV 1700 Road Star S (Cast wheel) | 08-11 | F |
| XV 1700 Road Star Warrior | 02-05 | F |
| XV 1900 Roadliner | 06-07 | F |
| XV 1900 Roadliner Midnight | 06-09 | F |
| XV 1900 Roadliner S | 06-10 | F |
| XV 1900 Stratoliner | 06-09 | F |
| XV 1900 Stratoliner Midnight | 06-08 | F |
| XV 1900 Stratoliner S | 06-10 | F |
| XV 1900 Stratoliner Deluxe | 11 | F |
| XV 1900 Raider | 08-11 | F |
| XV 1900 Raider S | 08-11 | F |

Competitor X Ref

| SBS | Vesrah | Ferodo |
|-----|--------|--------|
| 634 | VD248 | FDB605 |

Equivalents OE#

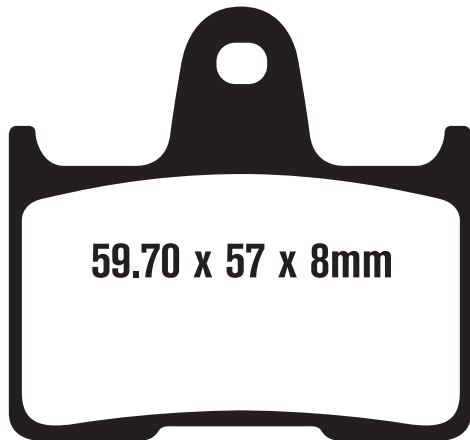
| | |
|--------------|--------------|
| 1D7 W0045 00 | 4SV W0045 00 |
| 3MA W0045 00 | 5VN W0045 00 |
| 3TJ W0045 00 | |

| STD | FA252 | Black - Touring - Road |
|---------|-------------|--------------------------|
| | FA252HH | Sintered HH Sport - Road |
| OPTIONS | EPFA252HH | Sintered HH Race |
| | EPFA252LCHH | Sintered HH Race |

Dealer Stocking Recommendation

| Single/Pair | Popularity # | Rec Stocking Level |
|-------------|--------------|--------------------|
| 2 | - | 2 |

FA254



59.70 x 57 x 8mm

KAWASAKI ROAD

| | | |
|--|-------|---|
| ZX-7RR (ZX750 N1/N2) | 96-99 | R |
| Concours 14 (ZG 1400 B8F/B9F/DAF) | 08-11 | R |
| Concours 14 ABS (ZG 1400 A8F/A9F/CAF/CBF) | 08-11 | R |
| ZX14 Ninja (ZX 1400 A6F/A7F/C8F/C9F/CAF/CBF) | 06-11 | R |

SUZUKI

| | | |
|---------------------------------|-------|---|
| GSXR 600 K4/K5/XK5 | 04-05 | R |
| GSXR 750 K4/K5/XK5 | 04-05 | R |
| GSXR 1000 K1/K2/K3/K4/ZK4/K5/K6 | 01-06 | R |

MZ

| | | |
|--------|-------|---|
| 1000 S | 03-05 | R |
|--------|-------|---|

Equivalents OE#

| | |
|------------|-------------|
| 43082 0055 | 69100 40820 |
| 43082 1182 | 69100 18810 |

Competitor X Ref

| SBS | Vesrah | Ferodo |
|-----|--------|---------|
| 715 | VD436 | FDB2111 |
| 765 | | |

Dealer Stocking Recommendation

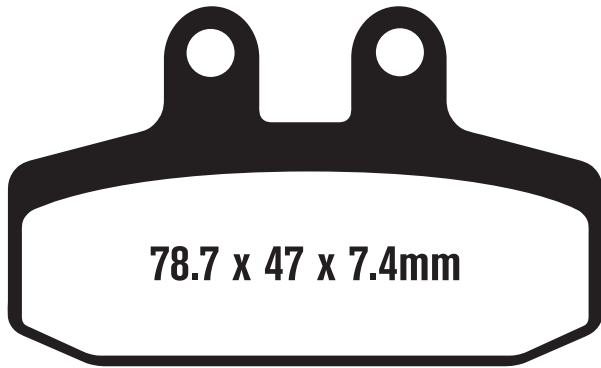
| Single/Pair | Popularity # | Rec Stocking Level |
|-------------|--------------|--------------------|
| 1 | - | 1 |

NOTE REFIT O.E SHIM & INSULATOR

| STD | FA254 | Black - Touring - Road |
|--------|---------|----------------------------|
| OPTION | FA254HH | Sintered HH - Sport - Road |

All part numbers, prefixes and suffixes shown in this catalog are unique and form a registered copyright as the property of EBC Brakes and its UK trademark owners

FA256



78.7 x 47 x 7.4mm

APRILIA

| | | |
|---------------------|-------|---|
| Scarabeo 150 | 99-03 | F |
| Atlantic 500 | 03-05 | F |
| Scarabeo 125/250 GT | 04-05 | F |
| Sport City 125 (4T) | 08-11 | F |
| Sporty City 250 | 07-11 | F |
| Sport City Cube 250 | 08-09 | F |
| Scarabeo 500/ie | 03-11 | F |
| Mana 850 | 08-10 | R |
| Mana 850 GT ABS | 09-10 | R |

Equivalents OE#

8113865

Competitor X Ref

| SBS | Vesrah | Ferodo |
|-----|--------|---------|
| 438 | VD152 | FDB438 |
| 793 | | FDB2146 |

| | | |
|--------|---------|----------------------------|
| STD | FA256 | Black - Touring - Road |
| OPTION | FA256HH | Sintered HH - Sport - Road |

Dealer Stocking Recommendation

| Single/Pair | Popularity # | Rec Stocking Level |
|-------------|--------------|--------------------|
| 1 | - | 1 |

FA257



41.1 x 43 x 7.7mm

DAELIM

| | | |
|-------------|-------|---|
| E-Five 50 | 03-09 | F |
| S-Five 50 | 01-09 | F |
| Delfino 100 | 01-09 | F |

Equivalents OE#

45105 GAZ 5000

Competitor X Ref

| SBS | Vesrah | Ferodo |
|-----|--------|--------|
| N/A | N/A | N/A |

| | | |
|-----|-------|------------------------|
| STD | FA257 | Black - Touring - Road |
|-----|-------|------------------------|

Dealer Stocking Recommendation

| Single/Pair | Popularity # | Rec Stocking Level |
|-------------|--------------|--------------------|
| 1 | - | - |

FA257/2



41.1 x 43 x 5.3mm

Equivalents OE#

| |
|---------------|
| 06436 MCT 006 |
| 648476 |
| 649830 |

PIAGGIO

| | |
|---|-------|
| MP3 (250cc) (3 wheeler) Parking Brake | 07-11 |
| MP3 400ie (Three wheeler) Parking Brake | 07-11 |
| MP3 500 (Three wheeler) Parking brake | 07-11 |

HONDA

| | |
|-------------------------|-------|
| FSC 600/D Parking brake | 02-06 |
| FSC 600 A Parking brake | 03-11 |
| FSC 600 D Parking brake | 07-10 |
| NSA 750 A9 (DN01) | 09-11 |

APRILIA

| | |
|------------------------|-------|
| Mana 850 Parking brake | 08-11 |
| Mana 850 GT ABS | 09-11 |

KYMCO

| | |
|-----------------------|--|
| MXU 400 Parking Brake | |
|-----------------------|--|

Competitor X Ref

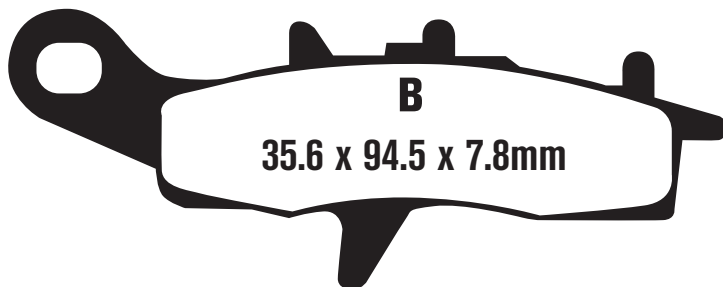
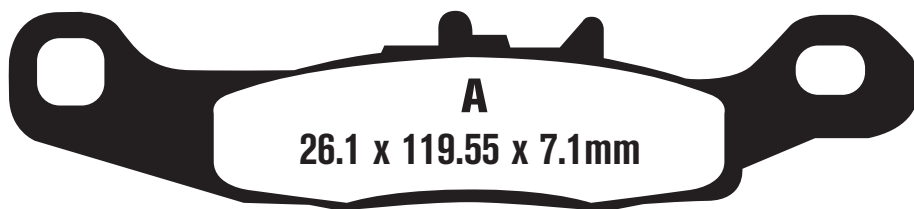
| SBS | Vesrah | Ferodo |
|-----|--------|--------|
| N/A | N/A | N/A |

| | | |
|-----|---------|------------------------|
| STD | FA257/2 | Black - Touring - Road |
|-----|---------|------------------------|

Dealer Stocking Recommendation

| Single/Pair | Popularity # | Rec Stocking Level |
|-------------|--------------|--------------------|
| 1 | - | - |

FA258



Competitor X Ref

| | | |
|-------------------|------------------------|--------------------------|
| SBS 726 | Vesrah VD438 | Ferodo FDB2080 |
|-------------------|------------------------|--------------------------|

Equivalents OE#

| | |
|------------|-------------|
| 43082 1196 | 43082 1255 |
| 43082 1206 | 59301 03820 |

KAWASAKI DIRT BIKE

| | | |
|---|----------|---|
| KX 80 R7/W1/W2/W3 | 97-00 | F |
| KX 85/85 II A1/A2/A3/A4/A5/A6F/A7F/A8F/A9F/AAF/ABF | 01-11 | F |
| KX 100 B7/C1/C2/C3/D1/D2/D3/D4/D5/D6F/D7F/D8F/D9F/DBF | 97-09/11 | F |
| KL 250 G4/G5/G6/G7/G8 "Super Sherpa" | 00-04 | F |

SUZUKI DIRT BIKE

| | | |
|---|-------|---|
| RM 85 LK5/K5/LK6/K6/K7/LK7/K8/LK8/K9/LK9/L0/LL0 | 05-11 | F |
| RM 100 K3 | 03 | F |

| | | |
|---------------|---------------|---------------------------|
| STD | FA258X | Red - Off Road - Sport |
| OPTION | FA258R | Sintered Off Road Utility |

Dealer Stocking Recommendation

| | | |
|--------------------|---------------------|---------------------------|
| Single/Pair | Popularity # | Rec Stocking Level |
| 1 | - | 1 |

FA260



CPI

| | | |
|-------------|-------|---|
| GTR 50 | 05-09 | R |
| GTR 150/180 | 05-09 | R |

PIAGGIO

| | | |
|---------------------------|-------|---|
| MP3 (250cc) | 07-11 | F |
| MP3 400ie (Three wheeler) | 07-11 | F |
| MP3 500 (Three wheeler) | 07-11 | F |

VESPA ROAD

| | | |
|------------------|-------|---|
| ET2 50cc | 97-05 | F |
| LX 50 | 05-11 | F |
| S 50 4T/4V | 08-11 | F |
| ET4 150cc | 99-05 | F |
| LX 150 (Fly 150) | 05-11 | F |
| LXV 150 IE | 10-11 | F |
| S 150 | 08-11 | F |

Equivalents OE#

| | |
|--------|--------|
| 494097 | 498846 |
| 494938 | 494938 |

Competitor X Ref

| | | |
|-------------------|------------------------|--------------------------|
| SBS 724 | Vesrah VD968 | Ferodo FDB2057 |
|-------------------|------------------------|--------------------------|

| | | |
|---------------|----------------|--------------------------|
| STD | FA260 | Black - Road |
| OPTION | FA260HH | Sintered HH Sport - Road |

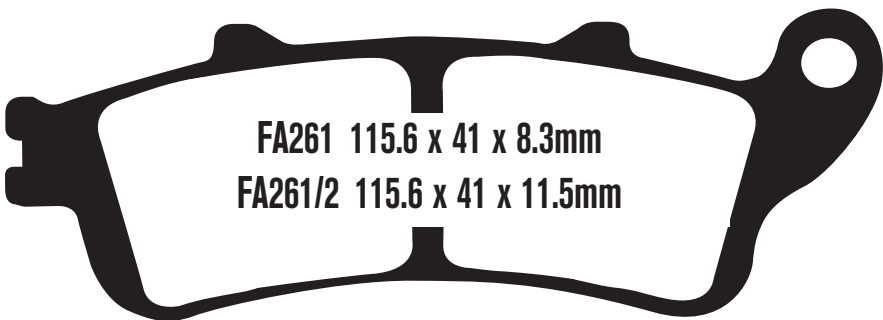
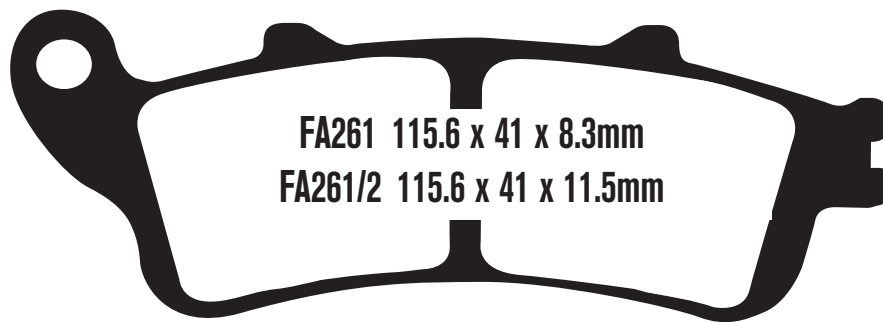
Dealer Stocking Recommendation

| | | |
|--------------------|---------------------|---------------------------|
| Single/Pair | Popularity # | Rec Stocking Level |
| 1 | - | - |

All part numbers, prefixes and suffixes shown in this catalog are unique and form a registered copyright as the property of EBC Brakes and its UK trademark owners

FA261

FA261/2



NOTE
DO NOT REFIT O/E
SHIM/INSULATOR

★ **SAFETY NOTICE** ★
LINKED BRAKE
FIT ALL THREE SETS AT PAD
CHANGE

FA261HH

HONDA

| | | |
|--|-------|-------|
| NT 700 V/VA | 10-11 | R |
| VFR 800 Fi Interceptor | 98-05 | F & R |
| VFR 800 A Interceptor ABS | 02-05 | F & R |
| VFR 800/A Interceptor (ABS) | 06-10 | R |
| XL 1000 VA Varadero (Canada) | 08 | R |
| CBR 1100 XX 'Blackbird' | 97-03 | F & R |
| ST 1100 A ABS model | 96-02 | F & R |
| ST 1300 ABS/ST 1300 | 02-11 | R |
| VT 1300 CXA 10 (ABS Futy) | | R |
| GL 1800/1800 A (ABS) Goldwing All models | 01-10 | F |
| NRX 1800 Rune (DA/DB/EA/EB) | 04-05 | F & R |
| VTX 1800 R (Cast Wheels) | 02-08 | F & R |
| VTX 1800 C/C1/C2/C3 | 02-08 | F & R |
| VTX 1800 S (Spoke Wheels) | 02-07 | F |
| VTX 1800 F1/F2/F3 | 05-11 | F |
| VTX 1800 N1/N2/N3 | 04-11 | F |
| VTX 1800 T1/T2 | 07-11 | F |

VICTORY

| | | |
|---------------------------|-------|---|
| Vision Street | 08-09 | F |
| Vision Tour (All models) | 08-11 | F |
| Vision 8 Ball | 10-11 | F |
| Arlen Ness Victory Vision | 09-11 | F |

FA261/2HH

HONDA

| | | |
|--|-------|---|
| GL 1800/1800 A (ABS) Goldwing (All models) | 01-11 | R |
| VTX 1800 S (Spoke Wheels) | 02-07 | R |
| VTX 1800 F1/F2/F3 | 05-11 | R |
| VTX 1800 N1/N2/N3 | 04-11 | R |
| VTX 1800 T1/T2 | 07-11 | R |

Equivalents OE# - FA261

| | |
|---------------|---------------|
| 06435 MAJ G41 | 06455 MCA 006 |
| 06435 MAT 006 | 06455 KP8 406 |
| 06455 MAJ G41 | 06435 MCA 016 |

Equivalents OE# - FA261/2

| | |
|---------------|---------------|
| 06435 MCA 006 | 06435 MLA 016 |
|---------------|---------------|

Competitor X Ref

| SBS | Vesrah | Ferodo |
|---------|---------|---------|
| 721/722 | VD165/2 | FDB2073 |
| 735/736 | | FDB2075 |

Dealer Stocking Recommendation

| Single/Pair | Popularity # | Rec Stocking Level |
|-------------|--------------|--------------------|
| 2 | - | 4 |

| | | |
|---------|-------------|--------------------------|
| STD | FA261HH | Sintered HH Sport - Road |
| OPTIONS | FA261/2HH | Sintered HH Sport - Road |
| OPTIONS | EPFA261/2HH | Sintered HH Race |

EPFA263



106 x 31.7 x 8.5mm

LOCKHEED 6 PISTON CALIPER
(4466/67 Type)

RACE USE ONLY

Equivalents OE#

CD4466/4467

Competitor X
Ref

SBS
707

Vesrah
VD961

Ferodo
FDB2043
FDB2167

Dealer Stocking
Recommendation

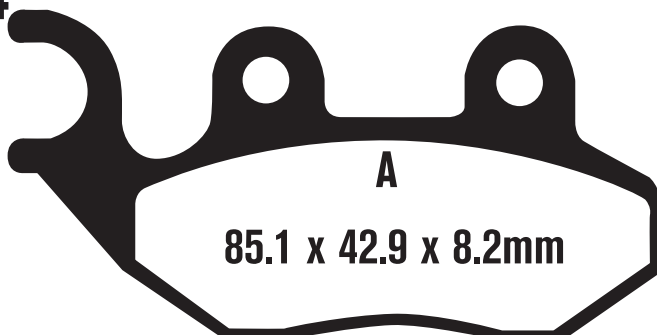
Single/Pair
2

Popularity #
-

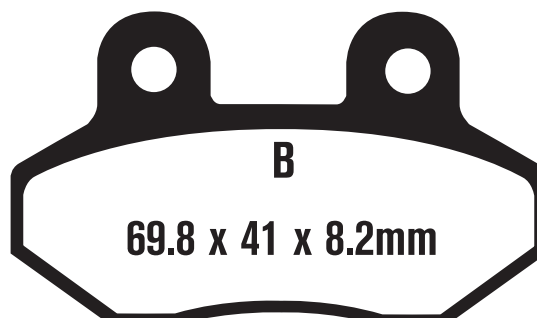
Rec Stocking Level
2

STD EPFA263HH Sintered HH Race

FA264



A
85.1 x 42.9 x 8.2mm



B
69.8 x 41 x 8.2mm

DAELIM

A-Four (50cc) 06-09 F

E-TON

Beamer R4-150 (PN2F) F

Beamer R2 50 (PN2G) F

Matrix 50 09 F

Matrix R4-150 09 F

Sport 50 09 F

SYM

Fiddle 50 08-11 F

Jet Euro 50 99-11 F

Simply 50 07-11 F

Fiddle II 125 (AW 125 W) 08-11 F

CITYCOM 300I (LH 300W) 08-11 F

TGB Scooter

Delivery 50 (Up to E/No 609099) 05-06 F

U.M Street

DTF 90 06-08 F

DTF 110 06-08 F

Matrix 150 XX 05-06 F

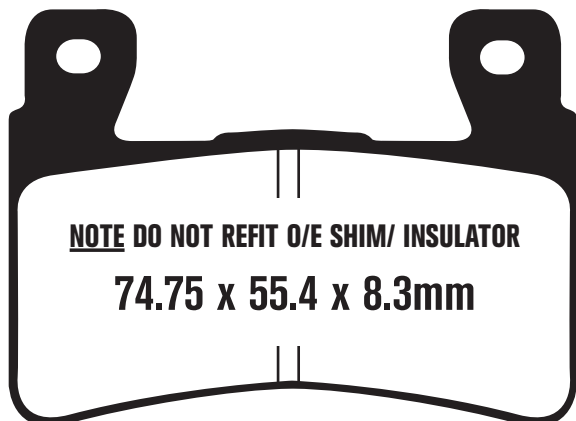
Matrix II-150 07-08 R

Equivalents OE#

413612

| | | |
|--------|---------|------------------|
| STD | FA264 | Black - Road |
| OPTION | FA264HH | Sintered HH Road |

FA265



NOTE DO NOT REFIT O/E SHIM/ INSULATOR

74.75 x 55.4 x 8.3mm

HONDA ROAD

CBR 900 RR 'Fireblade' 98-99 F

CBR 929 RR (929cc model) 00-01 F

CBR 954 RR (954cc model) 02-03 F

RVT 1000 R (RC51) 00-06 F

Equivalents OE#

06455 MAS E01

Competitor X
Ref

SBS
734

Vesrah
VD166/2

Ferodo
FDB2079

Dealer Stocking
Recommendation

Single/Pair
2

Popularity #
-

Rec Stocking Level
2

STD FA265HH Sintered HH Sport - Road

OPTIONS EPFA265HH Sintered HH Race

FA266



54.05 x 50.9
x 7.9mm

| | |
|------------------------|--------------|
| Equivalents OE# | 613 4 021 1A |
| | 705 600 041 |
| | 8000 95280 |

| | | | |
|-------------------------|------------|---------------|---------------|
| Competitor X Ref | SBS | Vesrah | Ferodo |
| | 730 | VD964 | FDB2074 |

Dealer Stocking Recommendation

| | | |
|--------------------|---------------------|---------------------------|
| Single/Pair | Popularity # | Rec Stocking Level |
| 1 | - | 1 |

| | | |
|----------------|----------------|---------------------------|
| STD | FA266 | Black - Touring - Road |
| OPTIONS | FA266R | Sintered Off Road Utility |
| | FA266HH | Sintered HH Sport - Road |
| | FA266SV | Sintered ATV Severe Duty |

| | | |
|-----------------------------------|-------|-------|
| APRILIA | | |
| ETV 1000 Caponord (All models) | 01-08 | R |
| RSV 1000 All models (All models) | 98-03 | R |
| RSV 1000 R Factory/R | 04-11 | R |
| SL 1000 "Falco" (All models) | 00-05 | R |
| RSV Tuono/Tuono R/Factory R | 02-11 | R |
| RSV4 R | 09-11 | R |
| RSV4 Factory | 09-11 | R |
| BOMBARDIER | | |
| Traxter (4x4) | 99-00 | F & R |
| Traxter XL (4x4) | 01 | F & R |
| Traxter XT (4x4) | 00 | F & R |
| Traxter Autoshift | 01 | F & R |
| Traxter Footshift | 01 | F & R |
| BREMBO | | |
| BRE 20 6950 51 (P32G) 2 piston | | F |
| BRE 20 6951 50/45 (P34G) 2 piston | | F |
| CAGIVA | | |
| Raptor/V-Raptor 650/1000 | 01-02 | R |
| DERBI | | |
| GPR 50 Nude | 04-05 | F |
| GPR 80 Cup | 05 | F |
| DUCATI | | |
| 620 Sport | 03 | R |
| Multistrada 620 Dark | 05-06 | R |
| Monster 696 | 08-11 | R |
| 749 Dark | 04-06 | R |
| 749 R (Radial caliper) | 04-06 | R |
| 749 S (Monoposto/Biposto) | 03-06 | R |
| 749 (Monoposto/Biposto) | 03-06 | R |
| 750 Supersport | 99 | R |
| 750 Supersport IE | 00-02 | R |
| 750 Sport | 01-02 | R |
| Hypermotard 796 | 10-11 | R |
| 796 Monster | 10-11 | R |
| 800 Supersport | 03-05 | R |
| 848 | 08-09 | R |
| 848 Evo (Monobloc Front Calipers) | 10-11 | R |
| 900 Supersport | 98-99 | R |
| 900 Supersport IE | 00-01 | R |
| 900 Sport | 02 | R |
| 900 MH Evoluzione | 00-01 | R |
| ST4 (916cc) | 99-00 | R |

| | | |
|--|-------|-----|
| ST2 (944cc) | 97-03 | R |
| ST3 S (ABS Model) (992cc) | 06-07 | R |
| ST4S (996cc) | 01-05 | R |
| 999 S (Std Caliper Mount) (Monoposto/Biposto) | 03-04 | R |
| 999 S (Radial mount caliper) Monoposto/Biposto | 05-06 | R |
| 999 (Std Mount Caliper) | 03-06 | R |
| 999 R (Radial mount caliper) | 03-06 | R |
| Desmosedici (989cc) DD16RR | 08 | R |
| Multistrada 1000 DS/S 1000 DS (992cc) | 03-05 | R |
| Supersport 1000 DS (992cc) | 03-06 | R |
| Streetfighter (1099cc) | 09-11 | R |
| Streetfighter S (1099cc) | 09-11 | R |
| Hypermotard 1100/1100 S | 07-09 | R |
| Hypermotard 1100 Evo | 10-11 | R |
| Hypermotard 1100 Evo SP | 10-11 | R |
| Monster 1100/1100 S | 09-10 | R |
| Multistrada 1100 (1078cc) | 07-09 | R |
| Multistrada 1100 S (1078cc) | 07-09 | R |
| 1098 | 07-08 | R |
| 1098 S | 07-08 | R |
| 1098 S Tricolore (1099cc) | 07 | R |
| 1098 R | 08-09 | R |
| Monster 1100 | 09-11 | R |
| Monster 1100 S | 09-11 | R |
| 1198 | 09-10 | R |
| 1198 S | 09-11 | R |
| 1198 SP | 11 | R |
| 1198 R Corse Special Edition | 11 | R |
| Multistrada 1200 | 10-11 | R |
| Multistrada 1200 S (Sport/Touring Editions) | 10-11 | R |
| KTM | | |
| T190 R RC8 | 09-11 | R |
| 1190 RC8 | 08-11 | R |
| MOTO GUZZI | | |
| 750 Nevada/Club | 03 | R |
| Nevada Classic 750 ie | 05-08 | R |
| V7 Cafe Classic | 11 | R |
| V 750 ie Breva | 03-08 | R |
| V7 Classic | 08-11 | R |
| MGS-01 1000cc | 04-05 | R |
| PIAGGIO | | |
| X9 500 | 05-09 | R |
| BV 500 | 06-10 | F&R |

BUYERS GUIDE
BRAKE PADS

FA267



51.85 x 59.75 x
8.9mm

YAMAHA ROADBIKE

| | | |
|------------------------------|-------|---|
| YZF 750 R7 OWO2 Road version | 99-00 | R |
| YZF 1000 R1 | 98-01 | R |

| | |
|------------------------|--------------|
| Equivalents OE# | 4XV W0046 00 |
|------------------------|--------------|

| | | | |
|-------------------------|------------|---------------|---------------|
| Competitor X Ref | SBS | Vesrah | Ferodo |
| | 733 | VD264 | FDB2084 |

Dealer Stocking Recommendation

| | | |
|--------------------|---------------------|---------------------------|
| Single/Pair | Popularity # | Rec Stocking Level |
| 1 | Y23 | 1 |

| | | |
|---------------|----------------|------------------------|
| STD | FA267 | Black - Touring - Road |
| OPTION | FA267HH | Sintered HH Sport Road |

All part numbers, prefixes and suffixes shown in this catalog are unique and form a registered copyright as the property of EBC Brakes and its UK trademark owners

FA270



73.85 x 52.8 x 6.82mm

POLARIS

All disc rear brake models - check application pages for main fitments.

Equivalents OE#

| | |
|---------|---------|
| 2201093 | 1910339 |
| 2201189 | 1910333 |
| 193860 | |

Competitor X Ref

| | | |
|-------------------|------------------------|--------------------------|
| SBS 755 | Vesrah VD963 | Ferodo FDB2121 |
|-------------------|------------------------|--------------------------|

| | | |
|----------------|----------------|---------------------------|
| STD | FA270X | Red - Off Road |
| OPTIONS | FA270SV | Sintered ATV Severe Duty |
| OPTIONS | FA270R | Sintered Off Road Utility |

Dealer Stocking Recommendation

| | | |
|-------------------------|---------------------------|--------------------------------|
| <u>Single/Pair</u> 1 | <u>Popularity #</u> P4 | <u>Rec Stocking Level</u> 2 |
|-------------------------|---------------------------|--------------------------------|

FA271



67.6 x 43.95 x 7.7mm

ARCTIC CAT

| | | |
|--------------------------|----------|-------|
| 250 (2 x 4) | 99-00 | F & R |
| 250 (2 x 4 / 4 x 4) | 01-04 | F & R |
| 300 (2 x 4 / 4 x 4) | 98-04 | F & R |
| 375 (Auto) | 01 | F & R |
| 400 (Auto 2 x 4 / 4 x 4) | 03-04 | F & R |
| 400 (2 x 4 / 4 x 4) | 98/00-04 | F & R |
| 400 (2 x 4) | 98 | F & R |
| Bearcat 454 (4 x 4) | 96-98 | F & R |
| Bearcat 454 (2 x 4) | 97-98 | F & R |
| 500 (4 x 4) | 98-02 | F & R |
| 500 (Auto) | 00-04 | F & R |
| 500 (4 x 4) Manual | 03-04 | F & R |

WILWOOD AFTERMARKET CALIPER

PS1 Caliper (Part No. 150-4091K)

Equivalents OE#

| | |
|----------|----------|
| 0402 096 | 0402 882 |
| 0502 019 | 0402 886 |
| 0402 494 | 0436 293 |

Competitor X Ref

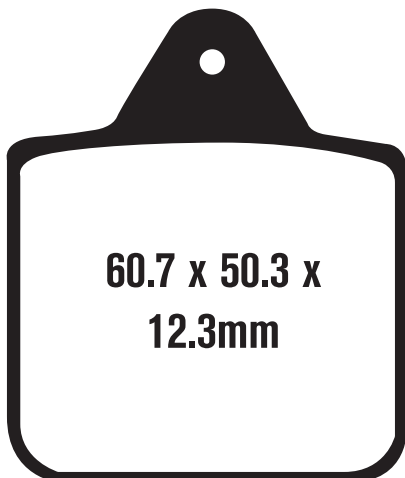
| | | |
|-------------------|------------------------|--------------------|
| SBS 758 | Vesrah VD965 | Ferodo - |
|-------------------|------------------------|--------------------|

| | | |
|----------------|---------------|---------------------------|
| STD | FA271X | Red - Off Road |
| OPTIONS | FA271R | Sintered Off Road Utility |

Dealer Stocking Recommendation

| | | |
|-------------------------|---------------------------|--------------------------------|
| <u>Single/Pair</u> 1 | <u>Popularity #</u> A1 | <u>Rec Stocking Level</u> 2 |
|-------------------------|---------------------------|--------------------------------|

FA273



**60.7 x 50.3 x
12.3mm**

POLARIS

| | | |
|----------------|----|-------------------|
| Magnum 425 | 96 | Middle Axle Brake |
| Big Boss 400 L | 96 | Middle Axle Brake |
| Ranger | 99 | R |

Equivalents OE#

| |
|---------|
| 2200807 |
| 2201304 |

Competitor X Ref

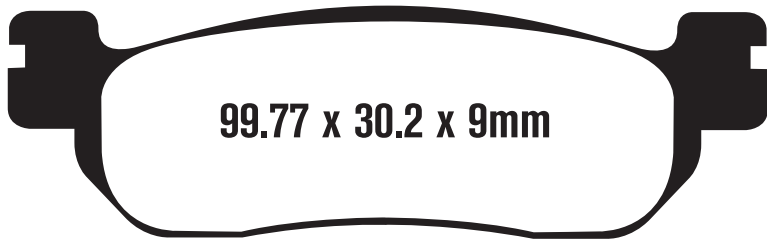
| | | |
|-------------------|--------------------|--------------------------|
| SBS 756 | Vesrah - | Ferodo FDB2135 |
|-------------------|--------------------|--------------------------|

Dealer Stocking Recommendation

| | | |
|-------------------------|---------------------------|--------------------------------|
| <u>Single/Pair</u> 1 | <u>Popularity #</u> P3 | <u>Rec Stocking Level</u> 2 |
|-------------------------|---------------------------|--------------------------------|

STD FA273R Sintered Off Road Utility

FA275



99.77 x 30.2 x 9mm

YAMAHA DIRT BIKE

TW 200 N/NC/P/PC/R/RC/S/SCT/TC/V/VC/W/WC/X/Y/Z/A 01-11 F
 XT 225 N/NC/P/PC/R/RC/S/SCT/TC/V/VC/W/WC 01-07 F
 XT 250 X/Y/Z/A 08-11 F

YAMAHA ROAD BIKE

YZF 600 RRL/RRM/RRN/RRP 'R6' 99-02 R
 YZF 1000 R1 02-03 R

Equivalents OE#

| |
|--------------|
| 5EB W0046 00 |
| 5LB W0045 00 |
| 4JG W0045 00 |
| 5PW W0046 50 |

Competitor X Ref

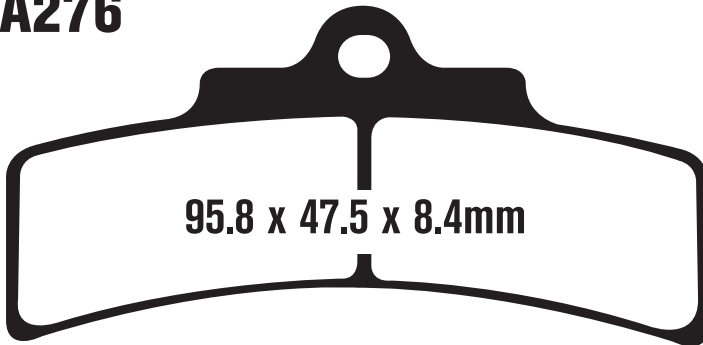
| | | |
|-------------------|------------------------|--------------------------|
| SBS 728 | Vesrah VD265 | Ferodo FDB2083 |
|-------------------|------------------------|--------------------------|

| | | |
|---------------|----------------|------------------------|
| STD | FA275 | Black - Touring - Road |
| OPTION | FA275HH | Sintered HH Sport Road |

Dealer Stocking Recommendation

| | | |
|--------------------|---------------------|---------------------------|
| <u>Single/Pair</u> | <u>Popularity #</u> | <u>Rec Stocking Level</u> |
| 1 | Y24 | 1 |

FA276



95.8 x 47.5 x 8.4mm

P.V.M. 6 piston new design caliper

Equivalents OE#

| |
|-----|
| N/A |
|-----|

Competitor X Ref

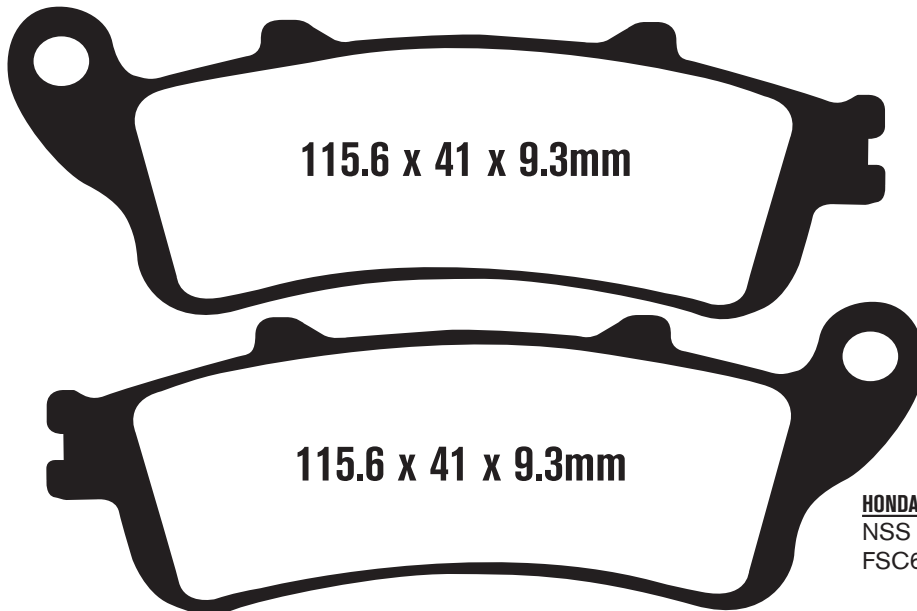
| | | |
|-------------------|--------------------|--------------------|
| SBS 677 | Vesrah - | Ferodo - |
|-------------------|--------------------|--------------------|

| | | |
|------------|-----------------|------------------|
| STD | GFA276HH | Sintered HH Race |
|------------|-----------------|------------------|

Dealer Stocking Recommendation

| | | |
|--------------------|---------------------|---------------------------|
| <u>Single/Pair</u> | <u>Popularity #</u> | <u>Rec Stocking Level</u> |
| 2 | N/A | 0 |

FA281



115.6 x 41 x 9.3mm

115.6 x 41 x 9.3mm

Equivalents OE#

| |
|---------------|
| 06455 KFG 016 |
| 06455 KFG 641 |
| 06455 MCT 016 |

Competitor X Ref

| | | |
|-------------------|------------------------|--------------------|
| SBS 722 | Vesrah VD165 | Ferodo - |
|-------------------|------------------------|--------------------|

HONDA ROAD

NSS 250/250 A/AS Reflex 01-07 F
 FSC600 Silverwing 02-10 F

| | | |
|------------|--------------|------------------------|
| STD | FA281 | Black - Touring - Road |
|------------|--------------|------------------------|

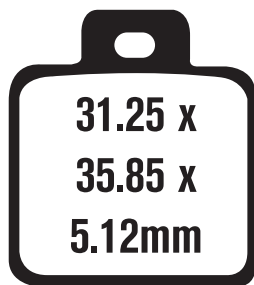
Dealer Stocking Recommendation

| | | |
|--------------------|---------------------|---------------------------|
| <u>Single/Pair</u> | <u>Popularity #</u> | <u>Rec Stocking Level</u> |
| 1 | - | 1 |

FA282

Equivalents OE#

59500 21000



HYOSUNG

TE 50 05-08 R
TE 90 05-08 R
TE 100 05-08 R

HUSQVARNA

Husky Boy 98-99 F&R

Competitor X Ref

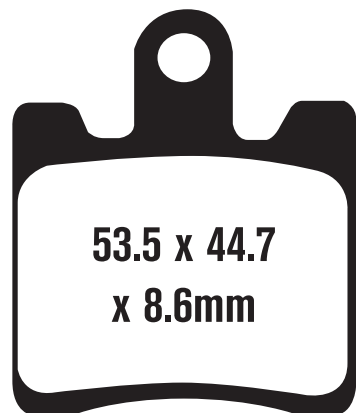
| SBS | Vesrah | Ferodo |
|-----|--------|--------|
| - | - | - |

Dealer Stocking Recommendation

| Single/Pair | Popularity # | Rec Stocking Level |
|-------------|--------------|--------------------|
| 1 | HK4 | 1 |

STD FA282R Sintered Off Road Utility

FA283



DAELIM

S1-125 06-09 F

SUZUKI

AN 400 K3/K4/K5/K6/SK6 Burgman 03-06 F

SYM

RV 250 (LM 250 W) 07-11 F

Equivalents OE#

59300 14870

59300 14880

Competitor X Ref

| SBS | Vesrah | Ferodo |
|-----|--------|---------|
| 740 | VD353 | FDB2085 |

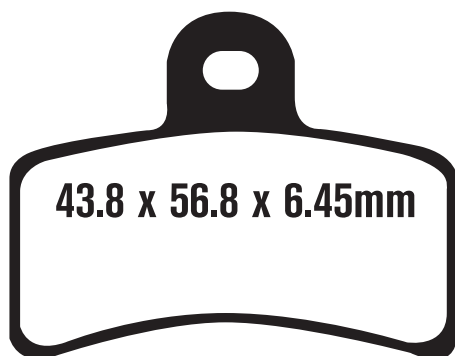
Dealer Stocking Recommendation

| Single/Pair | Popularity # | Rec Stocking Level |
|-------------|--------------|--------------------|
| 2 | - | 2 |

STD FA283 Black - Touring - Road

OPTIONS FA283HH Sintered - HH Sport - Road

FA291



GAS-GAS

EC 50 (Boy) 01-04 F&R

EC 50 (Rookie) 01-04 R

EC 50 05 R

SM 50 (Rookie) 01-04 R

SM 50 05 R

TXT 50 (Boy) 01 F&R

TXT 50/80 (Rookie) 02-03 F&R

Pampera 125/250/280 04 R

TXT 125/200/249/280/321 00-03 F&R

TXT 200/270/321 99 F&R

Pampera 250 02-03 R

Equivalents OE#

BT 280022065

Competitor X Ref

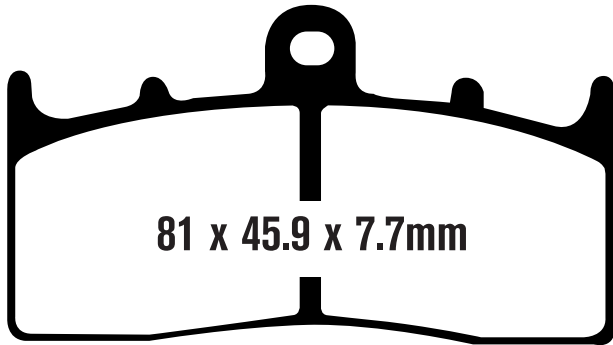
| SBS | Vesrah | Ferodo |
|-----|--------|---------|
| - | - | FDB2103 |

Dealer Stocking Recommendation

| Single/Pair | Popularity # | Rec Stocking Level |
|-------------|--------------|--------------------|
| - | - | - |

STD FA291X Black - Off Road

FA294



| BMW | | | |
|------------------------------|--|----------|---|
| R 850 R | | 03-06 | F |
| R 1100 S | | 12/00-06 | F |
| R 1150 R | | 01-06 | F |
| R 1150 R Rockster | | 03-06 | F |
| R 1150 RS | | 01-05 | F |
| R 1200 CL | | 03-04 | F |
| K 1200 LT (Evo Integral ABS) | | 11/00-09 | F |
| K 1200 R | | 05-09 | F |
| R 1200 C Montauk | | 04-05 | F |
| R 1200 R (K27) | | 06-11 | F |
| K 1300 R | | 09-11 | F |
| K 1600 GT | | 11 | F |
| K 1600 GTL | | 11 | F |

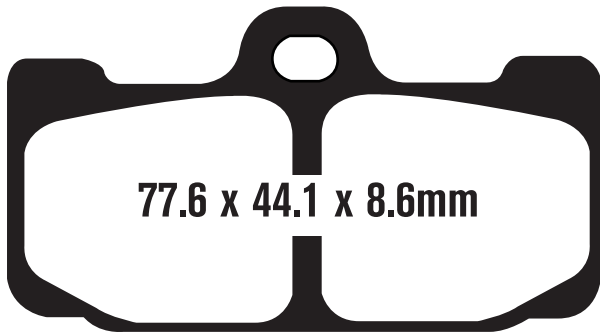
| Equivalents OE# | 43082 1217 | 34 11 7 655 898 |
|-----------------|-----------------|-----------------|
| | 34 11 7 658 386 | 34 11 769 0169 |

| Competitor X Ref | SBS | Vesrah | Ferodo |
|------------------|-----|--------|---------|
| | 743 | VD9020 | FDB2124 |

| Dealer Stocking Recommendation | Single/Pair | Popularity # | Rec Stocking Level |
|--------------------------------|-------------|--------------|--------------------|
| | 2 | - | 2 |

STD FA294HH Sintered HH Touring

EPFA295HH



BREMBO

| Equivalents OE# |
|-----------------|
| N/A |

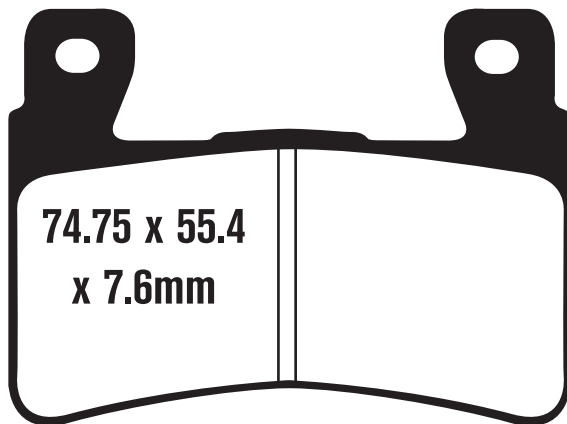
| Competitor X Ref | SBS | Vesrah | Ferodo |
|------------------|-----|---------|--------|
| | - | VD969/2 | - |

Dealer Stocking Recommendation

| Single/Pair | Popularity # | Rec Stocking Level |
|-------------|--------------|--------------------|
| 1 | N/A | 0 |

STD EPFA295HH Sintered HH Race

FA296



HONDA ROAD BIKE

| | | |
|----------------------|-------|---|
| CBR 600 F4/F4i Sport | 99-06 | F |
| CBR 600 RR | 03-04 | F |

HARLEY DAVIDSON

| | | |
|-----------|-------|---|
| XR 1200 | 08-10 | F |
| XR 1200 X | 10-11 | F |

HYOSUNG STREET

| | | |
|------------|-------|---|
| ST7 Custom | 10-11 | F |
|------------|-------|---|

| Equivalents OE# |
|-----------------|
| 06455 MBW 006 |
| 59330 HPP 700 |

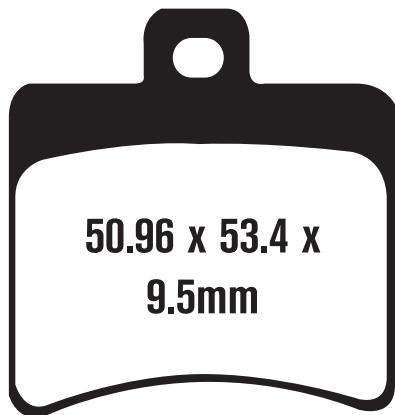
| Competitor X Ref | SBS | Vesrah | Ferodo |
|------------------|-----|--------|---------|
| | 734 | VD166 | FDB2079 |

Dealer Stocking Recommendation

| Single/Pair | Popularity # | Rec Stocking Level |
|-------------|--------------|--------------------|
| 2 | N/A | 4 |

STD FA296HH Sintered HH Sport Road
 OPTIONS EPFA296HH Sintered HH Race

FA298



APRILIA

| | | |
|---------------------|-------|---|
| RS 125 | 06-11 | R |
| Scarabeo 150 | 99-03 | R |
| Sport City Cube 250 | 08-09 | R |
| Atlantic 500 | 03-05 | R |
| Atlantic 200 | 04-06 | R |
| Scarabeo 125/250 GT | 04-05 | R |
| Scarabeo 200 | 08-11 | R |
| Scarabeo 250 | 06-08 | R |
| Sport City 250 | 07-11 | R |
| Scarabeo 500 ie | 03-11 | R |

BETA

| | | |
|-----------|----|---|
| Eikon 150 | 04 | R |
|-----------|----|---|

MALAGUTI

| | | |
|-------------|-------|---|
| F18 Warrior | 03-04 | R |
|-------------|-------|---|

| | | |
|------------------------|---------|---------|
| Equivalents OE# | 8113869 | 8213462 |
|------------------------|---------|---------|

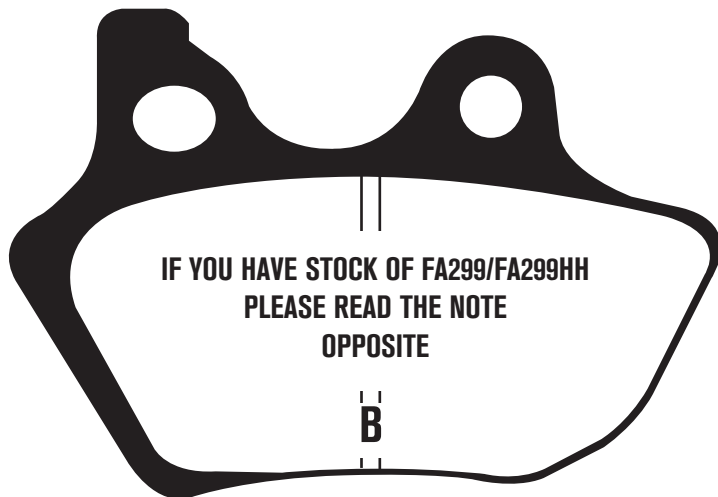
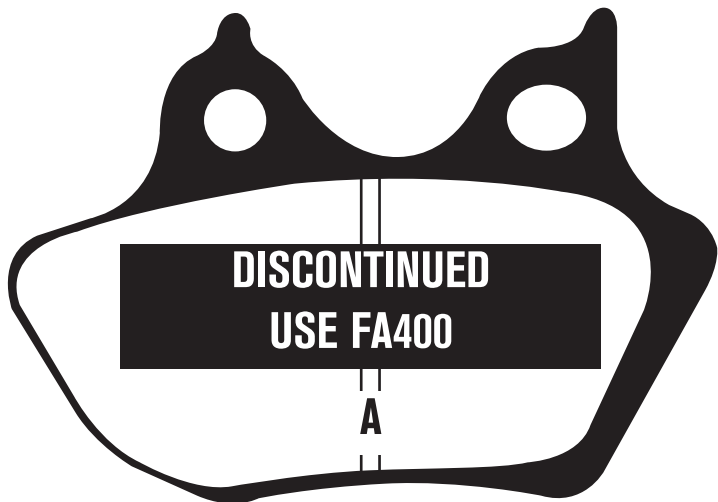
| | | | |
|-------------------------|-------------------|------------------------|--------------------------|
| Competitor X Ref | SBS 747 | Vesrah VD974 | Ferodo FDB2090 |
|-------------------------|-------------------|------------------------|--------------------------|

| | | |
|----------------|---------|------------------------|
| STD | FA298 | Black - Touring - Road |
| OPTIONS | FA298HH | Sintered - Street |

Dealer Stocking Recommendation

| | | |
|--------------------|---------------------|---------------------------|
| Single/Pair | Popularity # | Rec Stocking Level |
| 1 | - | 1 |

FA299



HARLEY DAVIDSON

Most models F&R 2000-2004 with 4 piston caliper
Check application pages for full model listings

| | |
|------------------------|----------|
| Equivalents OE# | 44082-00 |
|------------------------|----------|

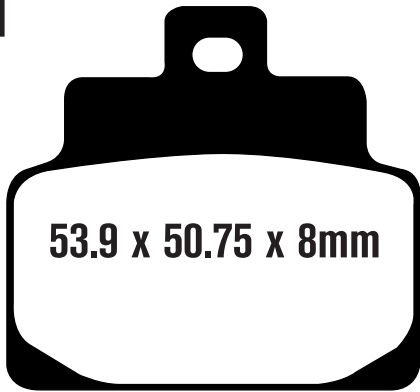
| | | | |
|-------------------------|-------------------|------------------------|--------------------------|
| Competitor X Ref | SBS 750 | Vesrah VD971 | Ferodo FDB2097 |
|-------------------------|-------------------|------------------------|--------------------------|

Dealer Stocking Recommendation

| | | |
|--------------------|---------------------|---------------------------|
| Single/Pair | Popularity # | Rec Stocking Level |
| 1 | N/A | 4 |

IMPORTANT NOTE:
This pad fits 04 and prior models only.
See also FA400 which has similar shape but larger.
DO NOT ATTEMPT TO FIT THIS PAD IN MODELS AFTER 05.
Always compare old pad shape.

FA301



53.9 x 50.75 x 8mm

APRILIA STREET

Mojito Custom 150

05-09

Equivalents OE#

8213460

Competitor X Ref

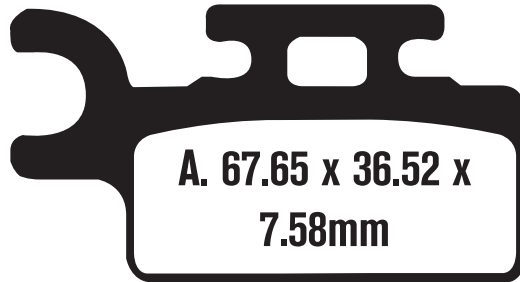
| | | |
|------------|---------------|---------------|
| <u>SBS</u> | <u>Vesrah</u> | <u>Ferodo</u> |
| - | - | - |

Dealer Stocking Recommendation

| <u>Single/Pair</u> | <u>Popularity #</u> | <u>Rec Stocking Level</u> |
|--------------------|---------------------|---------------------------|
| - | - | - |

| | | |
|---------------|----------------|----------------------------|
| STD | FA301 | Black - Touring - Road |
| OPTION | FA301HH | Sintered HH - Sport - Road |

FA302



A. 67.65 x 36.52 x 7.58mm



B. 51.9 x 40.1 x 7.62mm

KAWASAKI DIRT

KX 65 A1/A2/A3/A4/A5/A6F/A7F/A8F/A9F/AAF/ABF 00-11 F

SUZUKI DIRT

RM 65 K3/K4/K5 03-05 F

Equivalents OE#

| |
|-------------|
| 43082 0042 |
| 43082 1242 |
| K4308-21242 |

Competitor X Ref

| | | |
|------------|---------------|---------------|
| <u>SBS</u> | <u>Vesrah</u> | <u>Ferodo</u> |
| 752 | VD440 | FDB2110 |

Dealer Stocking Recommendation

| <u>Single/Pair</u> | <u>Popularity #</u> | <u>Rec Stocking Level</u> |
|--------------------|---------------------|---------------------------|
| 1 | N/A | 2 |

| | | |
|----------------|---------------|---------------------------|
| STD | FA302X | Red - Off Road |
| OPTIONS | FA302R | Sintered Off Road Utility |
| OPTIONS | MXS302 | Sintered Off Road Race |

FA303



49.95 x 43.85 x 5.9mm

Equivalents OE#

| |
|---------------|
| 45105 NNZ 830 |
| 25-25352 |

Competitor X Ref

| | | |
|------------|---------------|---------------|
| <u>SBS</u> | <u>Vesrah</u> | <u>Ferodo</u> |
| 802 | VD9001 | FDB2109 |

Dealer Stocking Recommendation

| <u>Single/Pair</u> | <u>Popularity #</u> | <u>Rec Stocking Level</u> |
|--------------------|---------------------|---------------------------|
| 1 | - | - |

| | | |
|------------|---------------|------------------|
| STD | FA303X | Black - Off Road |
|------------|---------------|------------------|

BETA

| | | |
|-------------------------|-------|-----|
| Evo 80 | 09-10 | F |
| Rev 3 (125/200/250/270) | 00-04 | F&R |
| Rev 3 125/200 | 05 | F&R |
| Rev 3 125/200 | 06-08 | F |
| Evo 150 (2T) | 10-11 | F |
| Evo 200 (2T) | | F |
| Rev 3 250/270 | 05-08 | F |
| Evo 250 (2T) | 09-11 | F |
| Evo 250 (4T) | 09-11 | F |
| Evo 290 (2T) | 09-11 | F |
| Evo 300 (4T) | 09-11 | F |

GAS-GAS

| | | |
|-----------------------------------|-------|---|
| EC 50 Boy (LC) | 05 | F |
| TXT 70 Cadet/Rookie | 10-11 | F |
| TXT 80 Rookie/Cadet | 04-08 | F |
| TXT 125/200/250/280/300 (TXT Pro) | 04-11 | F |
| TXT 250/280/300 Raga | 07-11 | F |

MONTESA

| | | |
|------------------|-------|---|
| 315 R | 01-04 | F |
| 4RT Cota (250cc) | 05-08 | F |

SCORPA

| | | |
|------------------|-------|---|
| SR 125 (2T) | 11 | F |
| SY 250 | 03-10 | F |
| SY 250 Long Ride | 05-09 | F |
| SY 250 F | 06-09 | F |
| SY 250 FR | 11 | F |
| SR 280 (2T) | 11 | F |

SHERCO

| | | |
|--------------|-------|---|
| 2.5/2.9 (2T) | 03-10 | F |
| 3.2 (4T) | 05-10 | F |

FA304



75.05 x 54.9 x 8.97mm

BMW

| | | |
|------------------|-------|---|
| R 1200 CL | 03-04 | R |
| K 1200 LT | 97-09 | R |
| R 1200 C Montauk | 04 | R |

Equivalents OE#

34-212 333 337

Competitor X Ref

| | | |
|-------------------|------------------------|--------------------------|
| SBS 746 | Vesrah VD972 | Ferodo FDB2102 |
|-------------------|------------------------|--------------------------|

| | | |
|--------|---------|------------------------|
| STD | FA304 | Black - Touring - Road |
| OPTION | FA304HH | Sintered HH Sport Road |

Dealer Stocking Recommendation

| | | |
|-------------------------|----------------------------|--------------------------------|
| Single/Pair 1 | Popularity # N/A | Rec Stocking Level 1 |
|-------------------------|----------------------------|--------------------------------|

FA305



A. 84.95 x 43.5 x 8.6mm



B. 69/95 x 36 x 10.96mm

ARCTIC CAT

| | | |
|-----------------------|-------|---|
| DVX 50 (Y6) | 06 | R |
| 50 Utility | 06-08 | R |
| 50 DVX (4T) | 06-08 | R |
| DVX 90 (Y12 4 Stroke) | 06-09 | R |
| 90 Utility (2x4) | 06-11 | R |
| 90 DVX | 06-10 | R |
| 150 Utility 2x4 | 09-11 | R |

KAWASAKI

| | | |
|-------------------------------------|-------|---|
| KXF 50 (KSF 50 B7F/B8F/B9F) | 07-09 | R |
| KXF 90 (KSF 90 A7F/A8F/A9F/AAF/ABF) | 07-11 | R |

KYMCO

| | | |
|-----------------------|-------|---|
| Super 8 (50c) (2T/4T) | 07-11 | F |
| Super 8 (150cc) | 07-10 | F |
| Super 9 LC/AC | 02-08 | R |
| Like 50 (2T) | 09-11 | F |
| People 50 (2T) | 02-11 | F |
| People S 50 | 05-08 | F |
| Mongoose 70 (4T) | 07-09 | R |
| Mongoose 90 | 02-11 | R |
| MXer 150 | 03-05 | R |
| MXU 150 | 05-11 | R |
| People S 125 | 05-08 | F |
| People 150 | 07-10 | F |
| People S 200 | 05-10 | F |
| Like 200i | 10-11 | F |

SYM

| | | |
|-------------------|-------|---|
| HS 125/200 | 04-08 | F |
| HD 125 (LH 125 W) | 08-11 | F |
| HD 200 | 08-11 | F |

Equivalents OE#

| |
|-----------------|
| 45105 KFA6 3050 |
| 43082 Y001 |
| 3303 446 |
| 3303 567 |
| 3305 139 |

Competitor X Ref

| | | |
|-------------------|--------------------|--------------------------|
| SBS 746 | Vesrah - | Ferodo FDB2096 |
|-------------------|--------------------|--------------------------|

| | | |
|--------|---------|---------------------------|
| STD | FA305 | Black - Touring - Road |
| OPTION | FA305R | Sintered Off Road Utility |
| OPTION | FA305HH | Sintered Street Sport |

Dealer Stocking Recommendation

| | | |
|-------------------------|----------------------------|--------------------------------|
| Single/Pair 1 | Popularity # N/A | Rec Stocking Level 1 |
|-------------------------|----------------------------|--------------------------------|

All part numbers, prefixes and suffixes shown in this catalog are unique and form a registered copyright as the property of EBC Brakes and its UK trademark owners

FA306

SYM
RS 50

04-10 F



70.1 x 41.8 x 8.07mm

Equivalents OE#

45105 H3A 000A

Competitor X
Ref

| SBS | Vesrah | Ferodo |
|-----|--------|--------|
| - | - | - |

Dealer Stocking
Recommendation

| Single/Pair | Popularity # | Rec Stocking Level |
|-------------|--------------|--------------------|
| 1 | N/A | 1 |

STD FA306 Black - Off Road

BUYERS GUIDE
BRAKE PADS

FA307



A. 82.08 x 40.85 x
9.46mm



B. 62.03 x 40.8 x
9.46mm

YAMAHA

| | | |
|---|-------|---|
| YFM 400 FAM/FAN/FAP | 00-02 | R |
| YFM 400 AM/AN | 00-01 | R |
| YFM 400 FAHM/MC/N/NC/P Kodiak 4x4 Kodiak Hunter | 00-02 | R |
| YFM 400 FAT/FAHT/FAV | 05-06 | R |
| YFM 450 FAR/FAS/FAT/FAHT/FAV Kodiak | 03-06 | R |
| YFM 450 FGW/FGX/FGY/FGZ Grizzly 4x4 | 07-10 | R |
| YFM 450 FXV/FXW/FXX/FXY/FXZ Wolverine Auto 4x4 | 06-10 | R |
| YFM 450 450 FXSEW Wolverine Sport Special Edition | 07 | R |

BOMBARDIER/BRP

| | | |
|--|-------|------------|
| Rally 200 | 05-06 | R |
| Outlander 330 HO | 04-05 | F Left & R |
| Outlander 400 | 03-05 | F Left & R |
| Outlander 400 Max HO | 03-06 | F Left & R |
| Traxter Autoshift | 01-05 | F Left & R |
| Traxter Footshift | 01 | F Left |
| Quest 500 (2x4) | 02 | F Left |
| Quest 500 (4x4) | 02-04 | F Left |
| Quest 650 (2x4) | 02 | F Left |
| Quest 650 (4x4) | 02-04 | F Left |
| Quest 650 XT (4x4) | 02 | F Left |
| Quest Max 650 | 03-05 | F Left |
| DS 650 | 00-05 | F Left & R |
| DS 650 Baja/X | 01-06 | F Left & R |
| Traxter Max | 03-04 | F Left |
| Traxter Max 650 | 04-05 | F Left |
| Outlander 650 HO EFI 4x4/HO EFI XT 4x4 | 06 | F Left & R |
| Outlander Max 650 HO EFI 4x4/HO EFI XT 4x4 | 06 | F Left & R |
| Traxter XL (7920/7921) | 04 | F Left |
| Quest Max/Std/XT | 04-05 | F Left |
| Outlander 800 (All models) | 06 | F Left & R |

CAN-AM

| | | |
|----------------------------|----|---|
| Rally 200 (4A7A/B/C/D/E/F) | 07 | R |
|----------------------------|----|---|

| | | |
|--|-------|------------|
| Outlander 400 (4x4 STD) (2D7A/B/C/D/E/F/G/H 4x4 STD) | 07-09 | F Left & R |
| Outlander 400 (XT 4x4) (2E7A/B/C/D/E/F) | 07-09 | F Left & R |
| Outlander Max 400 (STD 4x4) (2F7B/C/D/E/F/G/H/J) | 07-10 | F Left & R |
| Outlander Max 400 (XT 4x4) (2G7A/B/C/D/E) | 07-08 | F Left & R |
| Outlander 500 (STD 4x4) (2T7A/B/C/D) | 07-11 | F Left & R |
| Outlander 500 (XT 4x4) (2U7A/B/C/D) | 07-11 | F Left & R |
| Outlander Max 500 (Std 4x4) (2W7A/B/C) | 07-11 | F Left & R |
| Outlander Max 500 (XT 4x4) (2X7A/B/C) | 07-11 | F Left & R |
| Renegade 500 (4x4/EFI) | 08-11 | F Left & R |
| DS 650 X (3B7A/B) | 07 | F Left & R |
| Outlander 650 (4x4 STD) (2N7A/B/C/D/E/F/G/H) | 07-11 | F Left & R |
| Outlander 650 (XT 4X4) (2P7A/B/C/D/E/F) | 07-11 | F Left & R |
| Outlander Max 650 (STD 4x4) (2R7A/B/C/D/E/F/G/H/J/K) | 07-11 | F Left & R |
| Outlander Max 650 (XT 4x4) (2S7A/B/C/D/E/F) | 07-10 | F Left & R |
| Outlander 800 (STD 4x4) (2H7A/B/C/D/E/F/G/H) | 07-08 | F Left & R |
| Outlander 800 (XT 4x4) (2J7A/B/C/D/E/F) | 07-08 | F Left & R |
| Outlander 800 R EFI | 09 | F Left & R |
| Outlander 800 R XT | 09-10 | F Left & R |
| Outlander 800 R (XMR) | 11 | F Left & R |
| Outlander 800 R (XXC) | 11 | F Left & R |
| Outlander Max 800 Ltd 4x4 (2M7A/B/C) | 07-08 | F Left & R |
| Outlander Max 800 (Std 4x4) (2J7A/B/C/D/E/F/G/H/J) | 07-11 | F Left & R |
| Outlander Max 800 (XT 4X4) (2L7A/B/C/D/E/F) | 07-11 | F Left & R |
| Outlander Max 800 R EFI | 09-11 | F Left & R |
| Outlander Max 800 R XT | 09-10 | F Left & R |
| Renegade 800 X (4x4/EFI) | 08 | F Left & R |
| Renegade 800 (4x4/EFI) | 07-08 | F Left & R |
| Renegade 800 R EFI | 09-11 | F Left & R |
| Renegade 800 R X | 09-11 | F Left & R |
| Renegade 800 R (XXC) | 11 | F Left & R |

JOHN DEERE ATV

| | | |
|---------------------------|-------|--------|
| Trail Buck 500/650 EX/EXT | 04-08 | F Left |
| Buck 500/650 EX/EXT | 04-08 | F Left |

Competitor X
Ref

| SBS | Vesrah | Ferodo |
|-----|--------|---------|
| 754 | VD266 | FDB2148 |

Equivalents OE#

| | |
|--------------|--------------|
| 5GH W0046 00 | 59100 31860 |
| 705 600 014 | 1D9 W0046 00 |
| 5GH W0046 10 | 705600398 |
| 072 6000015 | 705600349 |
| C705 600014 | |

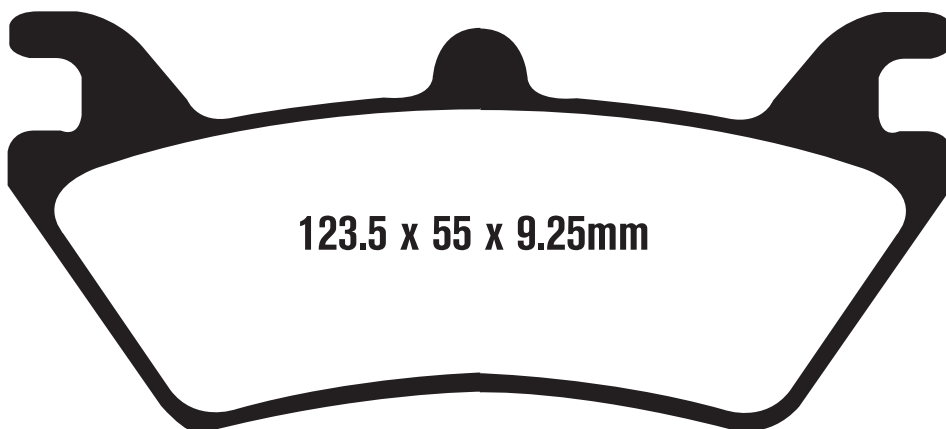
Dealer Stocking Recommendation

| Single/Pair | Popularity # | Rec Stocking Level |
|-------------|--------------|--------------------|
| 1 | N/A | 4 |

| |
|--|
| STD FA307X Red - Off Road |
| OPTIONS FA307R Sintered Off Road Utility |
| OPTIONS FA307SV Sintered ATV Severe Duty |

All part numbers, prefixes and suffixes shown in this catalog are unique and form a registered copyright as the property of EBC Brakes and its UK trademark owners

FA313



123.5 x 55 x 9.25mm

Competitor X Ref

| | | |
|-------------------|------------------------|--------------------|
| SBS 757 | Vesrah VD973 | Ferodo - |
|-------------------|------------------------|--------------------|

POLARIS

| | | |
|-----------------------|-------|---|
| Sportsman 6x6 (500) | 00-08 | R |
| PPS/PTV 6X6/Series 10 | | R |
| PPS LUH 6X6 | 02 | R |

Equivalents OE#

| |
|---------|
| 2201685 |
| 2201749 |

| | | |
|----------------|----------------|---------------------------|
| STD | FA313R | Sintered Off Road Utility |
| OPTIONS | FA313SV | Sintered ATV Severe Duty |

Dealer Stocking Recommendation

| | | |
|--------------------|---------------------|---------------------------|
| Single/Pair | Popularity # | Rec Stocking Level |
| 1 | N/A | 1 |

FA314



90.3 x 41.05
x 8.2mm

POLARIS

| | | |
|--------------------------------|-------|---|
| Trail Blazer 250 | 05-06 | R |
| Magnum 325/500 | 02-03 | R |
| Magnum 330 (2x4/4x4) | 03-06 | R |
| Trail Boss 330 | 05-09 | R |
| 330 Trail Boss | 10-11 | R |
| 330 Trail Blazer | 08-11 | R |
| Sportsman 400 | 03-05 | R |
| Sportsman 450 | 07 | R |
| ATV Pro 500 4x4 PPS | 02 | R |
| 500 E Predator | 06 | R |
| Scrambler 500 (4x4) | 05-10 | R |
| 500 Scrambler 4x4 | 10-11 | R |
| Scrambler 500 2x4 | 07-08 | R |
| Sportsman 500 HO/EFI | 03-08 | R |
| 500 Sportsman Touring EFI Quad | 08-10 | R |
| Sportsman 600 (4x4) | 03-05 | R |
| Sportsman 700/EFI | 02-06 | R |
| Sportsman 700 EFI | 07 | R |
| Sportsman MV 700 | 05-06 | R |
| Sportsman 800 EFI/Touring | 03-09 | R |
| PPS/PTV 4X4/Series 10 | | R |

Competitor X Ref

| | | |
|-------------------|------------------------|--------------------|
| SBS 787 | Vesrah VD992 | Ferodo - |
|-------------------|------------------------|--------------------|

Equivalents OE#

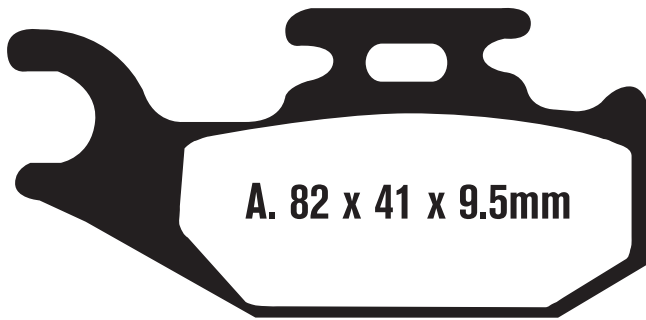
| | |
|---------|---------|
| 2201871 | 1911129 |
| 2202414 | 2203451 |

| | | |
|----------------|----------------|---------------------------|
| STD | FA314R | Sintered Off Road Utility |
| OPTIONS | FA314SV | Sintered ATV Severe Duty |

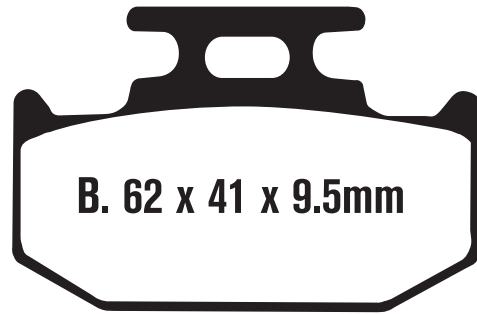
Dealer Stocking Recommendation

| | | |
|--------------------|---------------------|---------------------------|
| Single/Pair | Popularity # | Rec Stocking Level |
| 1 | N/A | 1 |

FA317



A. 82 x 41 x 9.5mm



B. 62 x 41 x 9.5mm

SUZUKI ATV

| | | |
|--|-------|-------------|
| LT-A 500 FK2 Vinson 4WD | 02 | R |
| BOMBARDIER/BRP | | |
| Outlander 330 HO | 04-05 | F Right |
| Outlander 400 | 03-05 | F Right |
| Outlander 400 Max HO | 03-06 | F Right |
| Traxter (4x4) | 01 | F Right |
| Traxter XL (4x4) | 01-04 | F Right & R |
| Traxter XT (4x4) | 01 | F Right & R |
| Traxter Autoshift | 01-05 | F Right & R |
| Traxter Footshift | 01 | F Right & R |
| Quest 500 (2x4) | 02 | F Right |
| Quest 500 (4x4) | 02-04 | F Right & R |
| Quest 650 (2x4) | 02 | F Right & R |
| Quest 650 (4x4) | 02-04 | F Right & R |
| Quest 650 XT (4x4) | 02 | F Right & R |
| DS 650 | 00-05 | F Right |
| DS 650 Baja/X | 01-06 | F Right |
| Outlander 650 HO EFI 4x4/HO EFI XT 4x4 | 06 | F Right |
| Outlander Max 650 HO EFI 4x4/HO EFI XT 4x4 | 06 | F Right |
| Quest Max 650 | 03- | F Right & R |
| Traxter Max | 03-05 | F Right |
| Traxter Max 650 | 04-05 | F Right & R |
| Traxter XL (7920/7921) | 04 | F Right & R |
| Quest Max/STD/XT | 04-05 | F Right & R |
| Outlander 800 (All models) | 06 | F Right |

CAN AM

| | | |
|--|-------|---------|
| DS 650 X (3B7A/B) | 07 | F Right |
| Outlander 400 (4x4 STD) (2D7A/B/C/D/E/F/G/H) | 07-08 | F Right |
| Outlander 400 (XT 4x4) (2E7A/B/C/D/E/F) | 07-08 | F Right |

| | | |
|--|-------|---------|
| Outlander Max 400 (STD 4x4) (2F7B/C/D/E/F/G/H/J) | 07-11 | F Right |
| Outlander Max 400 (XT 4x4) (2G7A/B/C/D/E) | 07-08 | F Right |
| Outlander 500 (STD 4x4) (2T7A/B/C/D) | 07-11 | F Right |
| Outlander 500 (XT 4x4) (2U7A/B/C/D) | 07-11 | F Right |
| Outlander Max 500 (STD 4x4) (2WA/B/C) | 07-11 | F Right |
| Outlander Max 500 (XT 4X4) (2X7A/B/C) | 07-11 | F Right |
| Renegade 500 (4x4/EFI) | 08-11 | F Right |
| Outlander 650 (4x4 STD) (2N7A/B/C/D/E/F/G/H) | 07-11 | F Right |
| Outlander 650 (XT 4x4) (2P7A/B/C/D/E/F) | 07-11 | F Right |
| Outlander Max 650 (STD 4x4) (2R7A/B/C/D/E/F/G/H/J/K) | 07-11 | F Right |
| Outlander Max 650 (XT 4x4) (2S7A/B/C/D/E/F) | 07-11 | F Right |
| Outlander 800 R EFI | 09 | F Right |
| Outlander 800 R XT | 09-11 | F Right |
| Outlander 800 R (XMR) | 11 | F Right |
| Outlander 800 R (XXC) | 11 | F Right |
| Outlander 800 (STD 4x4) (2H7A/B/C/D/E/F/G/H) | 07-08 | F Right |
| Outlander 800 (XT 4x4) (2J7A/B/C/D/E/F) | 07-08 | F Right |
| Outlander Max 800 Ltd 4x4 (2M7A/B/C) | 07-08 | F Right |
| Outlander Max 800 (STD 4x4) (2K7A/B/C/D/E/F/G/H/J) | 07-08 | F Right |
| Outlander Max 800 (XT 4x4) (2L7A/B/C/D/E/F) | 07-08 | F Right |
| Outlander Max 800 R EFI | 09-11 | F Right |
| Outlander Max 800 R XT | 09-11 | F Right |
| Renegade 800 X (4x4/EFI) | 08 | F Right |
| Renegade 800 (4x4/EFI) | 07-08 | F Right |
| Renegare 800 R EFI | 09-11 | F Right |
| Renegade 800 R X | 09-11 | F Right |
| Renegade 800 R (XXC) | 11 | F Right |

JOHN DEERE ATV

| | | |
|---------------------------|-------|-------------|
| Trail Buck 500/650 EX/EXT | 04-08 | F Right & R |
| Buck 500/650 EX/EXT | 04-08 | F Right & R |

Competitor X Ref

| | | |
|-------------------|------------------------|--------------------------|
| SBS 767 | Vesrah VD979 | Ferodo FDB2149 |
|-------------------|------------------------|--------------------------|

Equivalents OE#

| | |
|-------------|-------------|
| 705 600 004 | C705600004 |
| 705 600 150 | C705600150 |
| 705 600 350 | 69100 03841 |
| 69100 03840 | |

| | | |
|---------------|----------------|---------------------------|
| STD | FA317X | Red - Off Road |
| OPTION | FA317R | Sintered Off Road Utility |
| OPTION | FA317SV | Sintered ATV Severe Duty |

Dealer Stocking Recommendation

| | | |
|--------------------|---------------------|---------------------------|
| Single/Pair | Popularity # | Rec Stocking Level |
| 1 | N/A | 1 |

FA319/2



**99.95 x 36.25
x 9.5mm**

YAMAHA ROAD BIKE

| | | |
|--|-------|---|
| XVS 950 (V-Star 950) | 09-11 | R |
| XVS 950 (V-Star 950 Tourer) | 09-11 | R |
| FJR 1300 R/RC | 03 | R |
| FJR 1300 S/RS/T | 04-05 | R |
| FJR 1300 AV/AEV/AW/AEW/AX/AEX/AZ/AA | 06-11 | R |
| XVS 1300 V-Star 1300 Tourer | 07-11 | R |
| XVS 1300 V-Star | 07-11 | R |
| XVS 1300 Stryker | 11 | R |
| VMX 1700 V-Max (6 piston radial caliper) | 09-11 | R |
| XV 1700 Road Star Warrior | 02-05 | R |
| XV 1700 Road Star Midnight Warrior | 05 | R |
| XV 1900 Roadliner | 06-07 | R |
| XV 1900 Roadliner Midnight | 06-09 | R |
| XV 1900 Roadliner S | 06-10 | R |
| XV 1900 Stratoliner | 06-09 | R |
| XV 1900 Stratoliner | 06-08 | R |
| XV 1900 Stratoliner S | 06-10 | R |
| XV 1900 Stratoliner Deluxe | 11 | R |
| XV 1900 Raider | 08-11 | R |
| XV 1900 Raider S | 08-11 | R |

YAMAHA DIRT BIKE

| | | |
|------------------------|----|---|
| XT 1200 Z Super Tenere | 12 | R |
|------------------------|----|---|

Equivalents OE#
FA319/2

| | |
|--------------|--------------|
| 5GJ W0045 00 | 1D7 W0046 00 |
| 5JW W0046 00 | 2S3 W0046 |
| 5PS W0046 00 | 00 |

Competitor X Ref - FA319/2

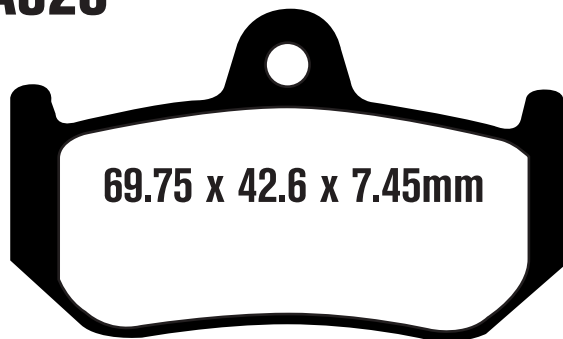
| | | |
|-------------------|--------------------------|--------------------------|
| SBS 769 | Vesrah VD269/2 | Ferodo FDB2156 |
|-------------------|--------------------------|--------------------------|

| | | |
|----------------|------------------|------------------------|
| STD | FA319/2 | Black - Touring - Road |
| OPTIONS | FA319/2HH | Sintered HH Sport Road |

Dealer Stocking Recommendation

| | | |
|--------------------|---------------------|---------------------------|
| Single/Pair | Popularity # | Rec Stocking Level |
| 1 | N/A | 1 |

FA320



69.75 x 42.6 x 7.45mm

Equivalents OE# 8000 82748

| | | |
|--|-------|---|
| MV | | |
| F4 750 (All models) (Nissin Calipers) | 99-03 | R |
| Brutale 750 (All models) (Nissin Calipers) | 03-06 | R |
| Brutale 910 S (Nissin Calipers) | 05-07 | R |
| Brutale 910 R (Brembo Calipers) | 05-07 | R |
| Brutale 989 R | 08-09 | R |
| Brutale 990 R | 10 | R |
| F4 (998cc) | 10 | R |
| F4 1000 (All models) (Nissin Calipers) | 04-06 | R |
| F4R 1000 (Brembo Calipers) | 06-07 | R |
| F4RR 312R 1000 (Brembo Calipers) | 07 | R |
| F4RR 312 1078cc | 08-09 | R |
| F4 100 CC (1078cc) | 07 | R |
| Brutale 1078 RR | 08-09 | R |
| F4 RR 1078 | 08-09 | R |
| Brutale 1090 RR | 10 | R |

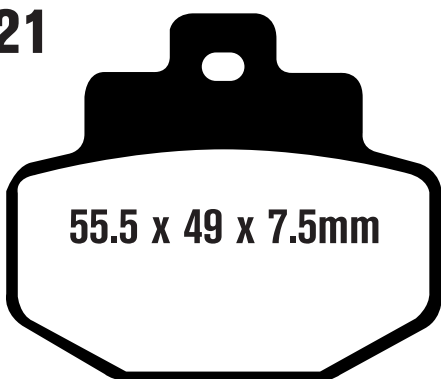
| Competitor X Ref | SBS | Vesrah | Ferodo |
|------------------|-----|--------|--------|
| | 763 | VD998 | - |

STD FA320HH Sintered HH Sport - Road

Dealer Stocking Recommendation

| Single/Pair | Popularity # | Rec Stocking Level |
|-------------|--------------|--------------------|
| 1 | N/A | 1 |

FA321



55.5 x 49 x 7.5mm

Equivalents OE#

| |
|--------|
| 497002 |
| 497348 |

| Competitor X Ref | SBS | Vesrah | Ferodo |
|------------------|-----|--------|---------|
| | 981 | VD976 | FDB2115 |

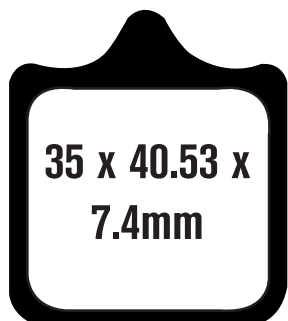
| | | |
|---------------------------|-------|---|
| VESPA | | |
| GT 200 L Granturismo | 05-09 | R |
| GTS 250 | 05-09 | R |
| GTV 250 | 07-09 | R |
| LXV 250 | 07-09 | R |
| GTS 300 | 08-11 | R |
| GTS 300 Super | 10-11 | R |
| GTV 300 | 10-11 | R |
| GT 60 (250cc Ltd Edition) | 06-08 | R |

STD FA321 Black - Touring
OPTION FA321HH Sintered Scooter

Dealer Stocking Recommendation

| Single/Pair | Popularity # | Rec Stocking Level |
|-------------|--------------|--------------------|
| 1 | N/A | 1 |

FA322/4



35 x 40.53 x 7.4mm

IMPORTANT NOTE: Do not use this pad for BMW S1000RR fitment - see FA604/4HH. Backplate thickness = 3mm

NOTE: Pads are sold as 4pcs per set - i.e. one caliper set

| | | | |
|--|---------|----------------------------------|---------|
| BREMBO | | | |
| BRE 20 7850 11/21 (P434A) 4 piston | F | 950 Supermoto | 05-08 F |
| BRE 20 8343 35/45 11/21 Radial mount | F | 950 Supermoto R | 07-08 F |
| goldline (wire clip pad retention) (P4 34 B) | F | 990 Superduke | 05-11 F |
| DUCATI | | 990 Superduke T | 07-11 F |
| 748 R | 01-02 F | 990 SM-T | 09-11 F |
| 749 Dark (Monoposto/Biposto) | 04-06 F | MOTO GUZZI | |
| 749 R (Radial caliper) | 04-06 F | MGS-01 1000 cc | 04-05 F |
| 749 S (Monoposto/Biposto) | 03-06 F | HUSQVARNA | |
| 749 (Monoposto/Biposto) | 03-06 F | SMR 450 RR | 06-08 F |
| 996 R | 01 F | SM 450 R | 07-10 F |
| S4RS Monster (998cc) (Radial 4 pad caliper) | 06 F | SM 510 R | 06-11 F |
| S4R/S4RS Testastretta Monster (998cc) | | SM 610 S | 06 F |
| (Radial 4 pad caliper) | | SM 610 IE | 07-09 F |
| 998 Matrix (998cc) | 07-08 F | SM 630 | 09-10 F |
| 998 R (998cc) | 04 F | SMS 630 | 10-11 F |
| 998 S Bayliss/Bostrom | 02 F | STR 650 CRC | 07 F |
| 998 S (998cc) (4 pad caliper) | 02 F | MV | |
| 999 S (Std caliper mount) | 02-06 F | Brutale 910 R (Brembo Calipers) | 05-07 F |
| (Monoposto/Biposto) | | F4R 1000 (Brembo Calipers) | 06-07 F |
| 999 (Std mount caliper) | 03-04 F | F4RR 312R 1000 (Brembo Calipers) | 07 F |
| 999 R (Radial mount caliper) | 03-06 F | SHERCO | |
| APRILIA | | 4.5iF Supermoto | 08-10 F |
| RSV Mille R/1000/Mille (All models) | 01-03 F | TM | |
| RSV Tuono R/Factory R | 02-11 F | SMX 450 F Competition (4T) | 05-08 F |
| RSV 1000 R Factory/R | 04-11 F | SMX 530 F Competition | 05-08 F |
| KTM | | TRIUMPH | |
| 690 Duke | 08-11 F | Speed Triple (1050cc) | 08-11 F |
| 690 SMC | 08-11 F | | |

Equivalents OE#

| |
|-------------|
| 613 403 01A |
| 8223972 |
| T2020715 |

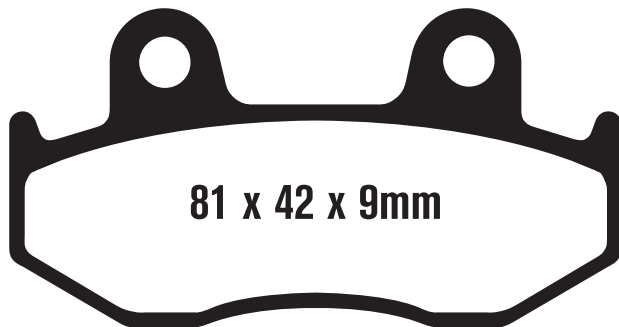
| Competitor X Ref | SBS | Vesrah | Ferodo |
|------------------|-----|--------|---------|
| | - | VD986 | FDB2120 |

STD FA322/4HH Sintered HH Sport Road
OPTIONS EPFA322/4HH Sintered HH Race

Dealer Stocking Recommendation

| Single/Pair | Popularity # | Rec Stocking Level |
|-------------|--------------|--------------------|
| 1 | N/A | 1 |

FA323



81 x 42 x 9mm

Equivalents OE#

| |
|--------------|
| 5TG W0046 10 |
| SG1 23 19 |

| | | |
|---------------|---------------|-------------------|
| STD | FA323X | Red - Off Road |
| OPTION | FA323 | Black - Street |
| OPTION | FA323R | Sintered Off Road |

Dealer Stocking Recommendation

| | |
|----------------------------------|---------|
| YAMAHA ATV | |
| YFZ 450 V/W/X/Y | 06-09 R |
| YFZ 450 RY/RZ/RA | 09-11 R |
| YFZ 450 XZ/XA | 10-11 R |
| YFZ 450 X SEA | 11 R |
| YFZ 450 RSEA | 11 R |
| YZF 450 BBW Bill Balance Edition | 07 R |
| YZF 450 SEW/SPX Special Edition | 07-08 R |
| UM Street | |
| Powermax 150 XX | 05-06 F |
| Matrix II-150 | 07-08 F |
| HONDA STREET | |
| NHX 110 Elite | 10-11 F |
| SH 150 i | 10-11 F |

Competitor X Ref

| | | |
|------------|---------------|---------------|
| SBS | Vesrah | Ferodo |
| - | - | - |

| | | |
|--------------------|---------------------|---------------------------|
| Single/Pair | Popularity # | Rec Stocking Level |
| 1 | N/A | 1 |

FA324



1 pad left, 1 pad right
117.5 x 41.3 x 8.6mm

Equivalents OE#

| |
|------------|
| 119 481 00 |
| 811 33603 |

APRILIA

| | |
|--------------|---------|
| Atlantic 200 | 04-06 F |
| Scarabeo 200 | 08-11 F |
| Scarabeo 250 | 06-08 F |

Competitor X Ref

| | | |
|------------|---------------|---------------|
| SBS | Vesrah | Ferodo |
| 761 | - | 2105 |

| | | |
|---------------|----------------|----------------------------|
| STD | FA324 | Black - Road |
| OPTION | FA324HH | Sintered HH - Sport - Road |

Dealer Stocking Recommendation

| | | |
|--------------------|---------------------|---------------------------|
| Single/Pair | Popularity # | Rec Stocking Level |
| 1 | N/A | 1 |

FA325



1 left / 1 right
43 x 25 x 5.0mm

| | |
|---|-----------|
| COBRA | |
| King 50 | 04-06 F&R |
| DC 65 | 06 R |
| HUSQVARNA | |
| CR 50 Senior Pro | 05 R |
| CR 50 | 11 F&R |
| SM 50 | 11 F&R |
| LEM | |
| RX 2/3 | 03-08 F |
| KTM | |
| 50 SX Pro Senior LC | 02-03 F |
| 50 SX Pro Senior LC/Mini Senior Adventure | 02-07 F |
| 50 Supermoto | 06 F&R |
| SX 50 Junior LC | 07-09 F |
| SX 50 Mini (10" wheels F&R) | 09-11 F&R |
| 65 SX | 04-09 R |
| XC 65 | 08-09 R |

Equivalents OE#

| | | |
|----------------|--------------|----------|
| 451 13 030 000 | 2025000712/1 | BCKG0009 |
|----------------|--------------|----------|

Competitor X Ref

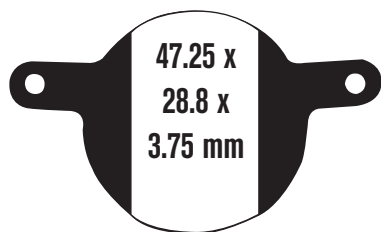
| | | |
|------------|---------------|---------------|
| SBS | Vesrah | Ferodo |
| 794 | VD991 | - |

| | | |
|---------------|---------------|---------------------|
| STD | FA325X | Red - Off Road |
| OPTION | FA325R | Sintered - Off Road |

Dealer Stocking Recommendation

| | | |
|--------------------|---------------------|---------------------------|
| Single/Pair | Popularity # | Rec Stocking Level |
| 1 | N/A | 1 |

FA331



Equivalents OE#

COBRA

King 50

02-03 F&R

SCORPA DIRT

4 Tricks

06-08 F & R

Competitor X Ref

SBS
-

Vesrah
-

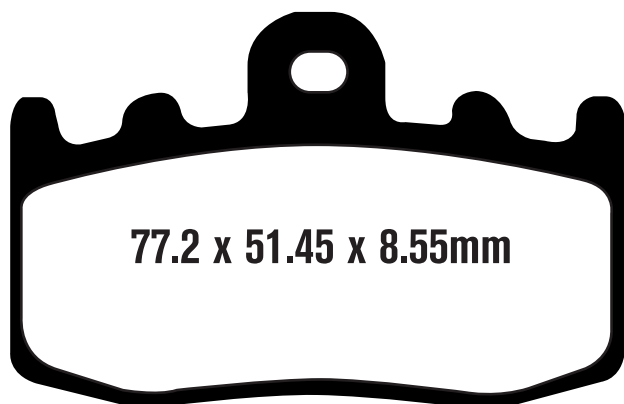
Ferodo
-

STD CFA331 Black - Road

Dealer Stocking Recommendation

| <u>Single/Pair</u> | <u>Popularity #</u> | <u>Rec Stocking Level</u> |
|--------------------|---------------------|---------------------------|
| 1 | N/A | 1 |

FA335



Equivalents OE#

| |
|-----------------|
| 34 11 7 660 448 |
| 34 11 7 671 780 |

BMW

| | | |
|---------------------------------|-----------|--------|
| R 850 RT | 06 | F |
| R 1100 S (Without integral ABS) | 12/00-06 | F |
| R 1150 GS Adventure | 07/01-06 | F |
| R 1150 RT (Integral ABS) | 00-06 | F |
| R 1150 GS Adventure | 03-06 | F |
| K 1200 RS | 01-05 | F |
| K 1200 GT | 03-06 | F |
| K 1200 GT (K44) | 06 | F Left |
| K 1200 S | 05-08 | F |
| R 1200 GS | 02-07 | F |
| R 1200 GS Adventure | 05-07 | F |
| R 1200 GS Adventure/M | 06-11 | F |
| R 1200 GS/M | 06-11 | F |
| R 1200 RT | 05-11 | F |
| R 1200 S | 06-08 | F |
| R 1200 ST (K28) | 03-08 | F |
| HP2 Megamoto | Nov 07-09 | F |
| K 1200 S | 03-08 | F |
| K 1300 S | 09-11 | F |
| K 1300 GT Touring | 09-11 | F |

Competitor X Ref

SBS
796

Vesrah
VD9000

Ferodo
FDB2125

STD FA335HH Sintered HH Sport - Road

Dealer Stocking Recommendation

| <u>Single/Pair</u> | <u>Popularity #</u> | <u>Rec Stocking Level</u> |
|--------------------|---------------------|---------------------------|
| 2 | N/A | 1 |

FA337



KTM

60 SX

00 R

65 SX

00-03 R

Equivalents OE#

Competitor X Ref

SBS
-

Vesrah
VD920

Ferodo
-

STD FA337X Red - Off Road

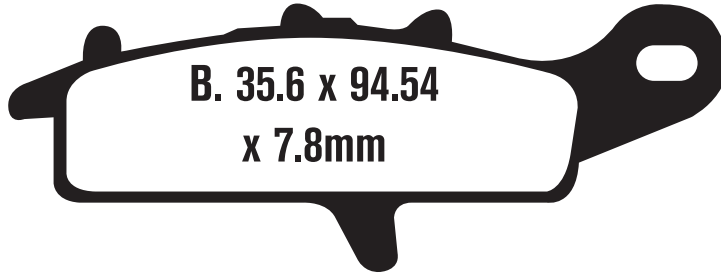
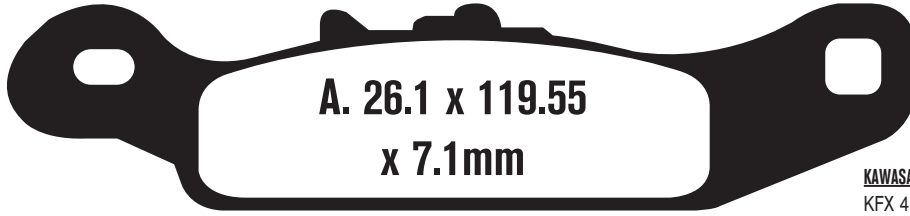
OPTION FA337R Sintered Off Road Utility

Dealer Stocking Recommendation

| <u>Single/Pair</u> | <u>Popularity #</u> | <u>Rec Stocking Level</u> |
|--------------------|---------------------|---------------------------|
| 1 | N/A | 1 |

All part numbers, prefixes and suffixes shown in this catalog are unique and form a registered copyright as the property of EBC Brakes and its UK trademark owners

FA342



Equivalents OE#

| | |
|------------|-------------|
| 43082 1255 | K4308 21255 |
| 43082 077 | |

KAWASAKI

| | | |
|--|-------|--------|
| KFX 450 R (KSF 450 B8F/B9F/BAF/BBF) | 08-11 | F Left |
| KVF 650 A1/A2/B2 | 02-03 | F Left |
| KVF 650 D1/D6F/D7F/D8F/DAF Brute Force 4x4 | 05-10 | F Left |
| KVF 650 E1/E6F/E7F/E8F Brute Force 4x4 | | |
| Hardwoods Green HD | 05-08 | F Left |
| KVF 650 E1/E6F/E7F/E8F/E9F Brute Force 650 4x4 Hardwoods Green HD | 05-09 | F Left |
| KSV 700 A1/A2/A6F/A7F/A8F/A9F (KFX 700 V-Force) | 04-09 | F Left |
| KSV 700 A1/B1 (KFX 700 V-Force) | 04 | F Left |
| KVF 700 A1/A2/A6F (Prairie 700 4x4)/B1/B2/B6F (Prairie 700 4x4 Hardwoods Green HD) | 04-06 | F Left |
| KVF 700 D1/D6F Team Green Special Edition | 05-06 | F Left |
| KSV 700 B1/B2/B6F/B7F/B8F (KFX 700 V Force) | 04-08 | F Left |

SUZUKI

| | | |
|-------------------------------------|-------|--------|
| LT-V 700 FK4/FK5 Twin Peaks 700 4x4 | 04-05 | F Left |
|-------------------------------------|-------|--------|

Competitor X Ref

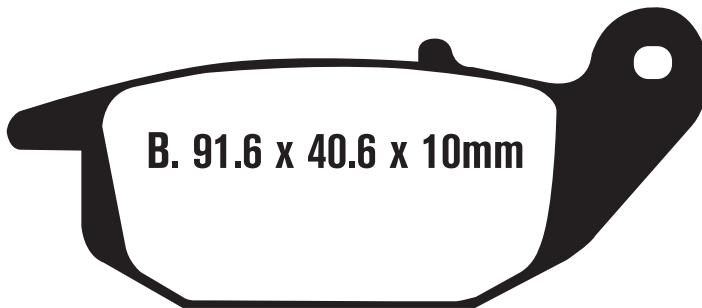
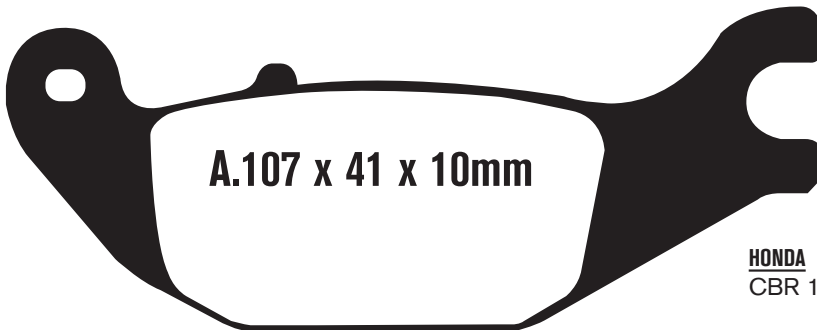
| | | |
|-------------------|------------------------|--------------------|
| SBS 801 | Vesrah VD441 | Ferodo - |
|-------------------|------------------------|--------------------|

| | | |
|---------------|----------------|---------------------------|
| STD | FA342R | Sintered Off Road ATV |
| OPTION | FA342SV | Sintered Off Road Utility |

Dealer Stocking Recommendation

| | | |
|--------------------|---------------------|---------------------------|
| Single/Pair | Popularity # | Rec Stocking Level |
| 1 | N/A | 1 |

FA343



HONDA

| | | |
|---------------------|----|---|
| CBR 125 R8 (Canada) | 08 | R |
|---------------------|----|---|

Equivalents OE#

| | |
|---------------|---------------|
| 06435 KPC 641 | 06435 KPC 901 |
|---------------|---------------|

Competitor X Ref

| | | |
|-------------------|------------------------|--------------------|
| SBS 801 | Vesrah VD441 | Ferodo - |
|-------------------|------------------------|--------------------|

Dealer Stocking Recommendation

| | | |
|------------|--------------|--------------------------|
| STD | FA343 | Black - Touring - Street |
|------------|--------------|--------------------------|

| | | |
|--------------------|---------------------|---------------------------|
| Single/Pair | Popularity # | Rec Stocking Level |
| 1 | N/A | 1 |

FA344



65.5 x 44.75 x 11.65mm

YAMAHA

YFM 660 FAP/FHAP/FSAP/FAR/FS/FHS/FHT/FT/FV/FGHW /FGX/FGHX Grizzly/660 Hunter Edition 02-08 R
YFM 660 FAHDV/W Ducks Unlimited Edition /Side x Side 06-07 R

Equivalents OE# 5KM W0046 00

Competitor X Ref

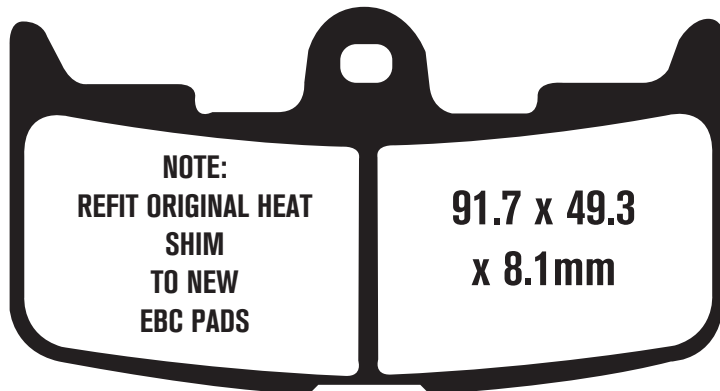
| | | |
|-------------------|------------------------|--------------------|
| SBS 799 | Vesrah VD270 | Ferodo - |
|-------------------|------------------------|--------------------|

| | | |
|--------|---------|---------------------------|
| STD | FA344X | Red - Off Road |
| OPTION | FA344R | Sintered Off Road Utility |
| OPTION | FA344SV | Sintered ATV Severe Duty |

Dealer Stocking Recommendation

| | | |
|-------------------------|----------------------------|--------------------------------|
| <u>Single/Pair</u> 1 | <u>Popularity #</u> N/A | <u>Rec Stocking Level</u> 1 |
|-------------------------|----------------------------|--------------------------------|

FA345



**NOTE:
REFIT ORIGINAL HEAT SHIM TO NEW EBC PADS**

**91.7 x 49.3
x 8.1mm**

6 piston caliper

BUELL

XB9R 02-07 F
XB9S 03-04 F
XB9SX Lightning City X 05-09 F
XB9SX Lightning 08-10 F
XB12R 04-08 F
XB12S 04-08 F
XB12X Ulysses 06-10 F
XB12 SCG Lightning 06-08 F
XB12SS Lightning Long 06-08 F
XB12 STT Lightning 08 F
XB 12 XT Ulysses 08-10 F

Equivalents OE# H0300 2AB

Competitor X Ref

| | | |
|-------------------|------------------------|--------------------------|
| SBS 795 | Vesrah VD993 | Ferodo FDB2145 |
|-------------------|------------------------|--------------------------|

| | | |
|--------|-------------|--------------------------|
| STD | FA345HH | Sintered HH Sport - Road |
| OPTION | EPFA345HH | Sintered HH Race |
| OPTION | EPFA345HHLC | Sintered HH Race |

Dealer Stocking Recommendation

| | | |
|-------------------------|----------------------------|--------------------------------|
| <u>Single/Pair</u> 1 | <u>Popularity #</u> N/A | <u>Rec Stocking Level</u> 1 |
|-------------------------|----------------------------|--------------------------------|

FA346



**A
60 x 44.8 x
11mm**

**B
60 x 44.8 x
11mm**

Note - do not refit O/E shim & insulator

HONDA

CR 125 R 02-07 R
CRF 150 R/RB 07-11 R
CR 250 R 02-07 R
CRF 250 R/RA/RB 04-11 R
CRF 250 X 04-11 R
CRF 450 R/RA/RB 02-11 R
CRF 450 X 05-11 R

Equivalents OE# 06435 KZ4 J41 06435 KRN 711

| | | |
|--------|-----------|---------------------------|
| STD | FA346X | Red - Off Road |
| OPTION | MXS346 | Sintered Off Road Race |
| OPTION | FA346R | Sintered Off Road Utility |
| OPTION | EPFA346HH | Sintered HH Race |

Dealer Stocking Recommendation

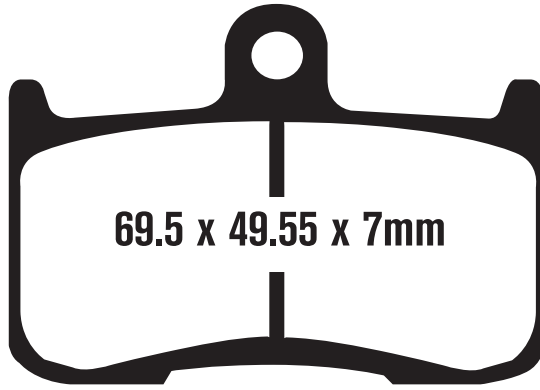
Competitor X Ref

| | | |
|-------------------|------------------------|--------------------------|
| SBS 777 | Vesrah VD168 | Ferodo FDB2139 |
|-------------------|------------------------|--------------------------|

| | | |
|-------------------------|----------------------------|--------------------------------|
| <u>Single/Pair</u> 1 | <u>Popularity #</u> N/A | <u>Rec Stocking Level</u> 4 |
|-------------------------|----------------------------|--------------------------------|

All part numbers, prefixes and suffixes shown in this catalog are unique and form a registered copyright as the property of EBC Brakes and its UK trademark owners

FA347



69.5 x 49.55 x 7mm

Equivalents OE#

| | |
|------------|-------------|
| 43082 1290 | 59100 23830 |
| 43082 0002 | 59100 23840 |
| 2203670 | |

Competitor X Ref

| | | |
|------------|---------------|---------------|
| SBS | Vesrah | Ferodo |
| 782 | VD443 | FDB2158 |

HONDA

RS 125 (Radial caliper) 04-07 F

KAWASAKI

ZX9R (ZX 900 F1/F2) 02-03 F

Z 1000 (ZR 1000 A1/A2/A3) 03-05 F

Z 1000 (ZR 1000 A6F) 06 F

SUZUKI STREET

GSX 1300 BKAK8/K9 B-King ABS 08-09 F

GSX 1300 BKK8/K9 B-King 08-09 F

TRIUMPH

Speed Triple R (radial caliper 1050cc) 05-11 F

Street Triple R 675 (Radial caliper) 09-11 F

Daytona 675 06-11 F

Tiger (1050cc) 07-11 F

Tiger 1050 SE 11 F

VICTORY

Vegas 08-11 F

Vegas Low 08-09 F

Vegas Jackpot 08-09 F

Hammer 08-11 F

Hammer S 08-11 F

Kingpin 08-11 F

Kingpin Tour 08-09 F

Kingpin 8-Ball 08-11 F

Kingpin-Low 09 F

Vegas 8-Ball 08-11 F

Cory Ness Jackpot 08-11 F

Cory Ness Victory Cross Country 11 F

Cross Country 10-11 F

Cross Roads 10-11 F

Hammer 8 Ball 10-11 F

Jackpot 10-11 F

Zach Ness Vegas 11 F

| | | |
|---------------|------------------|------------------|
| STD | FA347HH | Sintered HH Road |
| OPTION | EPFA347HH | Sintered HH Race |

Dealer Stocking Recommendation

| | | |
|--------------------|---------------------|---------------------------|
| Single/Pair | Popularity # | Rec Stocking Level |
| 2 | N/A | 2 |

BUYERS GUIDE
BRAKE PADS

FA348



63.35 x 60.32 x 8.9mm

YAMAHA

FZS 1000 N/NC/P/PC/R/RC/S/RS/T 'FZ1' 01-05 R

Competitor X Ref

| | | |
|------------|---------------|---------------|
| SBS | Vesrah | Ferodo |
| 770 | VD268 | FDB2150 |

Equivalents OE#

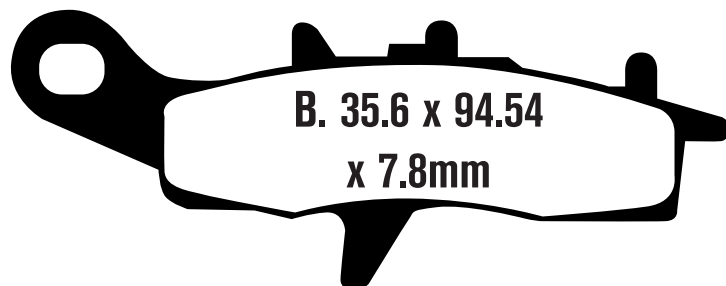
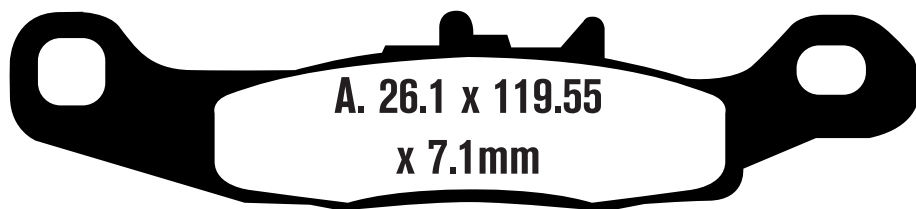
5LV W0046 50

| | | |
|---------------|----------------|------------------------|
| STD | FA348 | Black - Touring - Road |
| OPTION | FA348HH | Sintered HH Sport Road |

Dealer Stocking Recommendation

| | | |
|--------------------|---------------------|---------------------------|
| Single/Pair | Popularity # | Rec Stocking Level |
| 1 | N/A | 1 |

FA349



| | | |
|---|--|---------------|
| KAWASAKI | | |
| KFX 450 R (KSF 450 B8F/B9F/BAF/BBF) | | 08-11 F Right |
| KVF 650 A1/A2/B2 | | 02-03 F Right |
| KVF 650 D1/D6F/D7F/D8F/DAF Brute Force 4x4 | | 05-10 F Right |
| KVF 650 E1/E6F/E7F/E8F Brute Force 4x4 | | |
| Hardwoods Green HD | | 05-08 F Right |
| KVF 650 E1/E6F/E7F/E8F/E9F Brute Force 650 | | |
| 4x4 Hardwoods Green HD | | 05-09 F Right |
| KSV 700 A1/A2/A6F/A7F/A8F/A9F (KFX 700 V-Force) | | 04-09 F Right |
| KSV 700 A1/B1 (KFX 700 V-Force) | | 04 F Right |
| KVF 700 A1/B2/A2/A6F (Prairie 700 4x4) | | |
| /B1/B6F (Prairie 700 4x4 Hardwoods | | |
| Green HD) | | 04-06 F Right |
| KVF 700 D1/D6F Team Green Special Edition | | 05-06 F Right |
| KSV 700 B1/B2/B6F/B7F/B8F (KXF 700 V Force) | | 04-08 F Right |
| SUZUKI | | |
| LT-V 700 FK4/FK5 Twin Peaks 700 4x4 | | 04-05 F Right |

Competitor X Ref

| | | |
|-------------------|------------------------|--------------------|
| SBS 798 | Vesrah VD442 | Ferodo - |
|-------------------|------------------------|--------------------|

Equivalents OE#

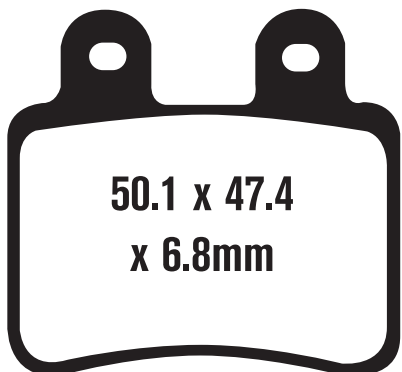
| | | |
|------------|------------|-------------|
| 43082 1273 | 43082 0078 | K4308 21273 |
|------------|------------|-------------|

| | | |
|---------------|----------------|-------------------|
| STD | FA349R | Off Road Sintered |
| OPTION | FA349SV | Off Road Utility |

Dealer Stocking Recommendation

| Single/Pair | Popularity # | Rec Stocking Level |
|-------------|--------------|--------------------|
| 1 | N/A | 1 |

FA350



| | | |
|------------------------------|--|---------|
| DERBI | | |
| Boulevard 150 | | 03-05 F |
| ITALJET | | |
| Jet Set 50 | | 03 F |
| Jet Set 125/150 | | 03 F |
| PEUGEOT | | |
| Elyseo 125/150 | | 03-05 R |
| Elystar 50 P | | 03-05 R |
| Elystar 125/150 P | | 03-05 R |
| Jet Force 125 EFI/Compressor | | 03-05 R |
| SCORPA | | |
| T-Ride 125 (4T) | | 11 R |
| T-Ride 250 F | | 09-11 R |

Equivalents OE#

| |
|---------|
| 745658 |
| 755981 |
| 4722090 |

Competitor X Ref

| | | |
|-------------------|------------------------|--------------------------|
| SBS 773 | Vesrah VD999 | Ferodo FDB2128 |
|-------------------|------------------------|--------------------------|

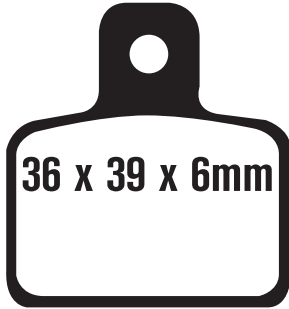
| | | |
|---------------|----------------|------------------------|
| STD | FA350 | Black - Touring - Road |
| OPTION | FA350X | Red - Off Road |
| OPTION | FA350HH | Sintered Sport |

Dealer Stocking Recommendation

| Single/Pair | Popularity # | Rec Stocking Level |
|-------------|--------------|--------------------|
| 1 | N/A | 1 |

All part numbers, prefixes and suffixes shown in this catalog are unique and form a registered copyright as the property of EBC Brakes and its UK trademark owners

FA351



36 x 39 x 6mm

Equivalents OE#

| |
|-------------------|
| 43105 - NN3 - 820 |
| 43105 NN3 830 |

Competitor X Ref

| | | |
|-------------------|-------------------------|--------------------------|
| <u>SBS</u> 803 | <u>Vesrah</u> VD9003 | <u>Ferodo</u> FDB2127 |
|-------------------|-------------------------|--------------------------|

STD FA351X Black - Off Road

Dealer Stocking Recommendation

| Single/Pair | Popularity # | Rec Stocking Level |
|-------------|--------------|--------------------|
| 1 | N/A | 1 |

BETA DIRT BIKES

| | | |
|-----------------------------------|-------|---|
| Mini Trail 50 | 09-10 | F |
| <u>GAS-GAS</u> | | |
| EC 50 Boy (Air Cooled) | 05 | R |
| EC Boy (LC) | 05 | R |
| MC 65 | 05-06 | F |
| TXT 70 Cadet/Rookie | 10-11 | R |
| TXT 80 Rookie/Cadet | 04-08 | R |
| TXT 125/200/250/280/300 (TXT Pro) | 04-11 | R |
| TXT 250/280/300 | 07-11 | R |

HUSQVARNA

| | | |
|------------------|----|---|
| CR 50 Junior | 05 | F |
| CR 50 Senior Pro | 05 | F |
| TE 100 | 05 | F |

MONTESA

| | | |
|------------------|-------|---|
| 315 R | 01-04 | R |
| 4RT Cota (250cc) | 05-08 | R |

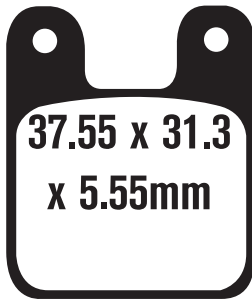
SCORPA

| | | |
|------------------|-------|---|
| TY-S 125 F | 04-09 | R |
| SR 125 (2T) | 11 | R |
| SY 125 F | 05-09 | R |
| SY 175 F | 05-08 | R |
| SY 250 | 03-10 | R |
| SY 250 F | 06-10 | F |
| SY 250 Long Ride | 05-09 | F |
| SY 250 FR | 11 | R |
| SR 280 (2T) | 11 | R |

SHERCO

| | | |
|--------------|-------|---|
| 2.5/2.9 (2T) | 03-09 | R |
| 3.2 (4T) | 05-10 | R |

FA352



37.55 x 31.3
x 5.55mm

Equivalents OE#

| |
|-------------|
| 144 750 008 |
|-------------|

Competitor X Ref

| | | |
|-----------------|-------------------------|--------------------|
| <u>SBS</u> - | <u>Vesrah</u> VD9002 | <u>Ferodo</u> - |
|-----------------|-------------------------|--------------------|

STD FA352 Black - Off Road

Dealer Stocking Recommendation

| Single/Pair | Popularity # | Rec Stocking Level |
|-------------|--------------|--------------------|
| 1 | N/A | 1 |

POLINI

Polini Calpers (square shape 2 pin type) F&R

FA353

APRILIA

Sportcity 50 (4T) 08-11 F

VESPA

GT 200 L Granturismo (Heng Tong Caliper) 05-09 F

GTS 250 05-09 F

GTV 250 07-09 F

LXV 250 07-09 F

GTS 300 08-11 F

GTS 300 Super 10-11 F

GTV 300 10-11 F

GT 60 (250cc Ltd Edition) 06-08 F

PIAGGIO STREET

Fly 50 05-11 F

Fly 150 06-11 F

BV 250 (Heng Tong Caliper) 06-11 F&R

MP3 400ie (Three wheeler) 07-11 R

MP3 500 (Three wheeler) 07-11 R

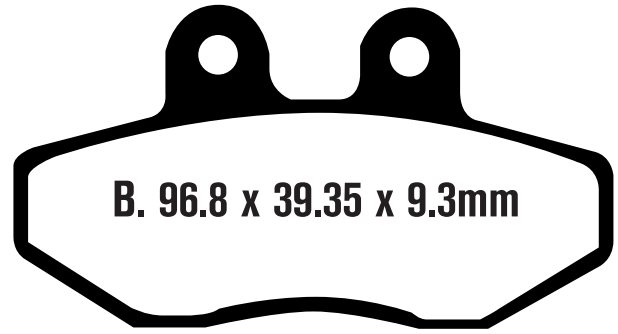
Equivalents OE#

| |
|--------|
| 497072 |
| 497116 |

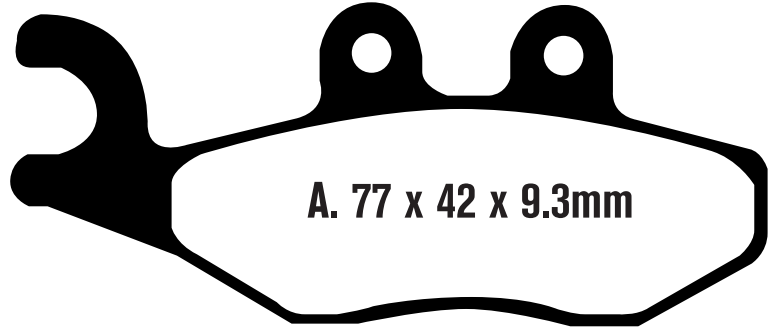
Competitor X Ref

| SBS | Vesrah | Ferodo |
|-----|--------|--------|
| - | VD983 | - |

| | | |
|----------------|----------------|------------------------|
| STD | FA353 | Black - Touring - Road |
| OPTIONS | FA353HH | Sintered Street Pad |



B. 96.8 x 39.35 x 9.3mm

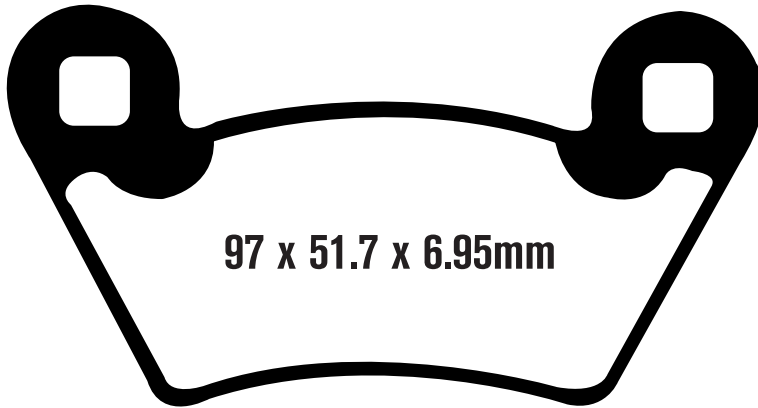


A. 77 x 42 x 9.3mm

Dealer Stocking Recommendation

| Single/Pair | Popularity # | Rec Stocking Level |
|-------------|--------------|--------------------|
| 1 | - | 1 |

FA354



97 x 51.7 x 6.95mm

Equivalents OE#

| | |
|---------|---------|
| 1910514 | 1910672 |
| 2202413 | |

Competitor X Ref

| SBS | Vesrah | Ferodo |
|-----|--------|--------|
| 800 | - | - |

Dealer Stocking Recommendation

| Single/Pair | Popularity # | Rec Stocking Level |
|-------------|--------------|--------------------|
| 2 | N/A | 2 |

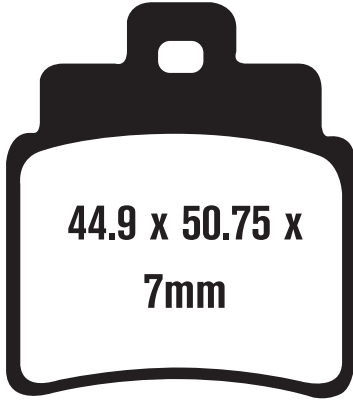
| | | |
|---------------|----------------|--------------------------|
| STD | FA354R | Sintered Off Road |
| OPTION | FA354SV | Sintered ATV Severe Duty |

POLARIS

| | | |
|----------------------------|-------|-----|
| PPS/UTV 2x4 Series 10 | | F&R |
| PPS/UTV 4x6 Series 10 | | F&R |
| PPS/Series 11 UTV 1500 2x4 | | F&R |
| Ranger EV (Electric) | 10 | R |
| Ranger Series 10 | | F&R |
| Ranger Series 10 500 6x6 | | F&R |
| Ranger Series 11 | | F&R |
| PPS/Series 11 2x4/4x4 | | F&R |
| PPS/Series 11 6x6 | | F&R |
| Ranger 6x6 | 04-05 | F&R |
| Ranger TM | 04-05 | F&R |
| Ranger XP | 05 | F&R |
| Ranger 2x4/4x4 | 04-05 | F&R |
| 400 Ranger | 10 | R |
| Ranger 400 HO | 10-11 | F&R |
| Ranger 500 (2x4/4x4) | 06-07 | F&R |
| Ranger 500 (4x4 EFI) | 06-07 | F&R |
| Ranger 500 4x4 EFI | 08 | R |
| Ranger 500 2x4 | 08 | R |
| 500 Ranger (Carb) 2x4 | 09 | R |
| 500 Ranger (EFI) 4x4 H.O. | 09-10 | R |
| Ranger Crew 500 | 11 | R |
| Ranger 6x6 EFI 700 | 06-09 | F&R |
| Ranger XP 700 4x4 | 06/08 | F&R |
| Ranger 700 4x4 EFI/LE | 07 | F&R |
| Ranger TM | 06 | F&R |
| Ranger 700 6x4 EFI | 08 | R |
| 700 Ranger 4x4 EFI | 09 | R |
| Ranger Crew 800 (RGR 4x4) | 10-11 | R |
| 800 Ranger XP | 10-11 | R |
| 800 Ranger HD | 10-11 | R |
| Ranger EV (Electric) | 10-11 | R |
| 800 Ranger RZR-4 | 11 | R |
| Ranger 4x4 900 D (Diesel) | 11 | R |

All part numbers, prefixes and suffixes shown in this catalog are unique and form a registered copyright as the property of EBC Brakes and its UK trademark owners

FA355



| | | |
|-------------------|--|---------|
| ARCTIC CAT | | |
| 250 DVX | | 06-08 R |
| 300 DVX | | 09-11 R |
| KYMCO | | |
| KXR 250 Mongoose | | 04-10 R |
| MXU 250 | | 04-10 R |
| Mongoose 300 | | 06-10 R |

| |
|-----------------------------|
| Equivalents OE# |
| 45106 KKC4 9000 3304-697 |

| | | | |
|-------------------------|-------------------|------------------------|--------------------------|
| Competitor X Ref | SBS 775 | Vesrah VD987 | Ferodo FDB2141 |
|-------------------------|-------------------|------------------------|--------------------------|

| | | |
|---------------|---------------|-------------------|
| STD | FA355 | Black - Road |
| OPTION | FA355R | Sintered Off Road |

| | | | |
|---------------------------------------|-------------------------|----------------------------|--------------------------------|
| Dealer Stocking Recommendation | Single/Pair 2 | Popularity # N/A | Rec Stocking Level 2 |
|---------------------------------------|-------------------------|----------------------------|--------------------------------|

FA356



| | | |
|----------------------------|--|---------|
| KYMCO | | |
| Grand Vista 240 (SH 50 DF) | | 05-11 R |

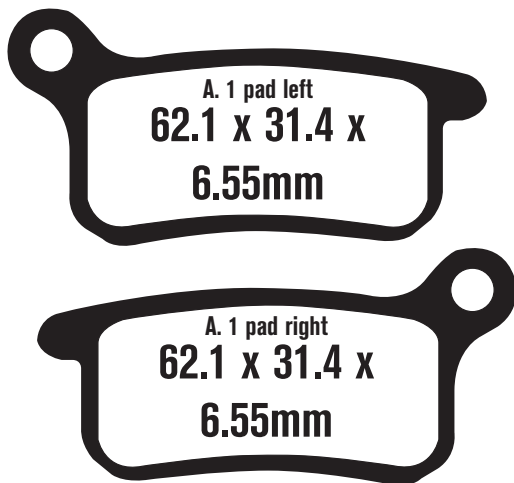
| |
|------------------------|
| Equivalents OE# |
| 43105 KKC4 9000 |

| | | | |
|-------------------------|-----------------|--------------------|--------------------|
| Competitor X Ref | SBS - | Vesrah - | Ferodo - |
|-------------------------|-----------------|--------------------|--------------------|

| | | |
|---------------|----------------|----------------|
| STD | FA356 | Black - Road |
| OPTION | FA356HH | Sintered Sport |

| | | | |
|---------------------------------------|-------------------------|----------------------------|--------------------------------|
| Dealer Stocking Recommendation | Single/Pair 2 | Popularity # N/A | Rec Stocking Level 2 |
|---------------------------------------|-------------------------|----------------------------|--------------------------------|

FA357



| | | |
|------------------------|--|-----------|
| KTM | | |
| 65 SX | | 02-08 F |
| SX 65 | | 09-11 F&R |
| XC 65 | | 08-10 F |
| 85 SX | | 03-10 F&R |
| SX 85 (19"/16" wheels) | | 03-10 F&R |
| SX 85 (17"/14" wheels) | | 11 F |
| XC 85 | | 08-10 F&R |
| SX 105 | | 07-11 F&R |
| XC 105 | | 08-10 F&R |

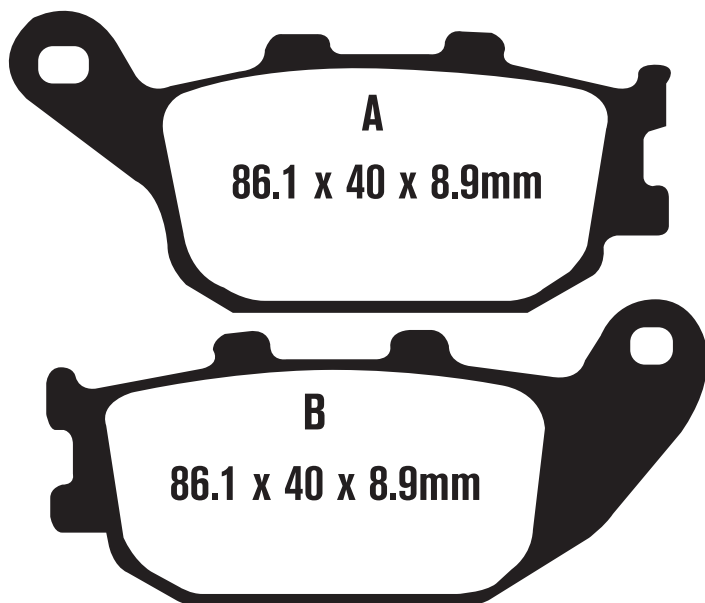
| |
|----------------------------------|
| Equivalents OE# |
| 461 13 030 000 470 13 090 000 |

| | | | |
|-------------------------|-------------------|-------------------------|--------------------------|
| Competitor X Ref | SBS 783 | Vesrah VD9006 | Ferodo FDB2157 |
|-------------------------|-------------------|-------------------------|--------------------------|

| | | |
|---------------|---------------|-------------------|
| STD | FA357X | Red - Off Road |
| OPTION | FA357R | Sintered Off Road |

| | | | |
|---------------------------------------|-------------------------|----------------------------|--------------------------------|
| Dealer Stocking Recommendation | Single/Pair 1 | Popularity # N/A | Rec Stocking Level 1 |
|---------------------------------------|-------------------------|----------------------------|--------------------------------|

FA358



STD FA358 Black - Touring - Road

HONDA

NSS 250/250 A/A5 Reflex 01-07 R

Equivalents OE#

06435 KPB 016

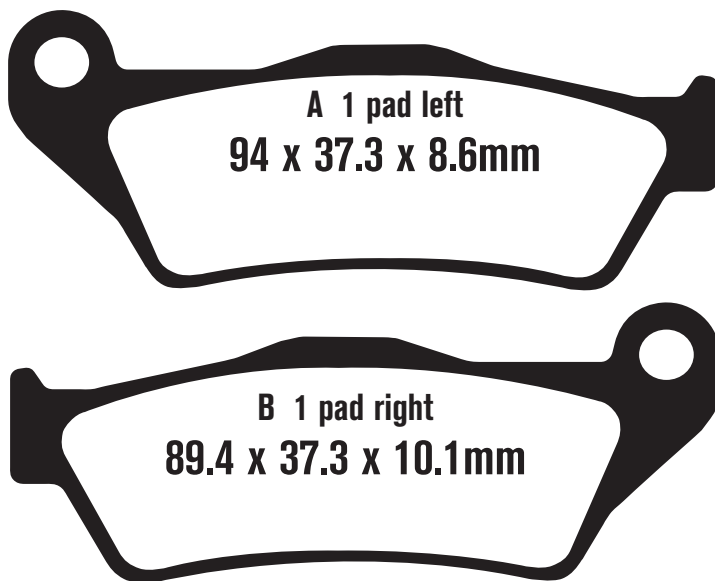
Competitor X Ref

| | | |
|-------------------|------------------------|--------------------------|
| SBS 753 | Vesrah VD169 | Ferodo FDB2130 |
|-------------------|------------------------|--------------------------|

Dealer Stocking Recommendation

| <u>Single/Pair</u> | <u>Popularity #</u> | <u>Rec Stocking Level</u> |
|--------------------|---------------------|---------------------------|
| 1 | N/A | 1 |

FA363



Equivalents OE#

| |
|-----------------|
| 34 21 2 314 947 |
| 34 21 2 335 465 |
| 34 21 2 330 633 |
| 34 21 7 660 281 |

Competitor X Ref

| | | |
|-------------------|------------------------|--------------------------|
| SBS 742 | Vesrah VD947 | Ferodo FDB2039 |
|-------------------|------------------------|--------------------------|

BMW

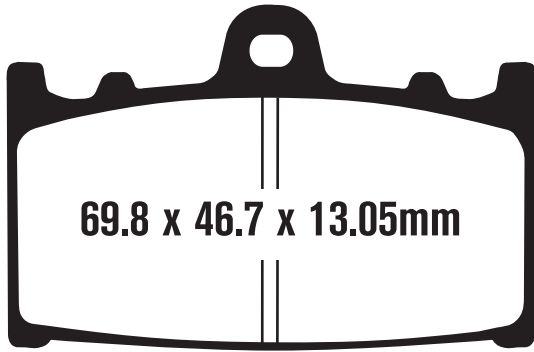
| | | |
|--|-----------|---|
| R 850 GS | 96-00 | R |
| R 850 C | 97-00 | R |
| R 850 R | 94-06 | R |
| R 850 RT | 96-01/06 | R |
| R 1100 GS | 93-99 | R |
| R 1100 R | 93-06/96 | R |
| R 1100 S | 96-11/00 | R |
| R 1100 S | 12/00-06 | R |
| R 1100 RT | 94-01 | R |
| R 1150 R | 01-06 | R |
| R 1150 R Rockster | 03-05 | R |
| R 1150 RS | 01-05 | R |
| R 1150 RT | 00-06 | R |
| R 1150 GS (K80/0415) | 98-01 | R |
| R 1150 GS (Adventure) | 07/01-06 | R |
| K 1200 S | 03-08 | R |
| K 1200 R | 05-10 | R |
| R 1200 | 00-02 | R |
| R 1200 C | 96-03 | R |
| R 1200 C | 96-03 | R |
| R 1200 C Montauk | 04-05 | R |
| R 1200 GS (K25/0307/Cast/Spoke wheel) | 02-07 | R |
| R 1200 GS Adventure (K25/0382/Spoke wheel) | 05-07 | R |
| R 1200 GS Adventure/M (K25/0380/spoke wheel) | 06-11 | R |
| R 1200 GS/M (K25/0303/Cast/Spoke Wheel) | 06-11 | R |
| R 1200 R (K27) | 06-11 | R |
| R 1200 RT | 05-11 | R |
| R 1200 S | 06-08 | R |
| R 1200 ST (K28) | 03-08 | R |
| HP-2 Enduro | 05-09 | R |
| HP2 Megamoto | Nov 07-09 | R |
| HP2 Sport | 08-11 | R |
| K 1300 S | 09-11 | R |
| K 1300 R | 09-11 | R |
| K 1300 GT (Touring) | 09-11 | R |
| K 1600 GT | 11 | R |
| K 1600 GTL | 11 | R |

STD FA363 Black - Touring - Road
OPTIONS FA363HH Sintered HH Sport - Road

Dealer Stocking Recommendation

| <u>Single/Pair</u> | <u>Popularity #</u> | <u>Rec Stocking Level</u> |
|--------------------|---------------------|---------------------------|
| 1 | N/A | 2 |

FA366



69.8 x 46.7 x 13.05mm

SUZUKI

VL 1500 K2/K3/K4 Intruder LC 02-04 R
 VL 1500 K5/TK5/K6/TK6/K7/TK7 /K8/TK8/K9/TK9/L0 (C90/C90T) 05-10 R

Equivalents OE#

| |
|-------------|
| 69100 10820 |
| 69100 10850 |

Competitor X Ref

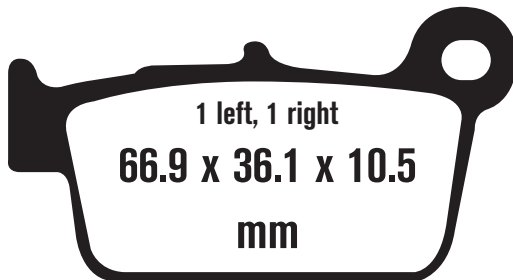
| SBS | Vesrah | Ferodo |
|-----|---------|---------|
| 789 | VD344/4 | FDB2163 |

Dealer Stocking Recommendation

| Single/Pair | Popularity # | Rec Stocking Level |
|-------------|--------------|--------------------|
| 1 | N/A | 1 |

| | | |
|---------|---------|--------------------------|
| STD | FA366 | Red - Touring - Road |
| OPTIONS | FA366HH | Sintered HH Sport - Road |

FA367



1 left, 1 right
 66.9 x 36.1 x 10.5
 mm

YAMAHA

YZ 125 R/S/T/V/W/X/Y/Z/A (2T) 03-11 R
 YZ 250 R/S/T/V/W/X/Y/Z/A (2T) 03-11 R
 YZ 250 FR/FS/FT/FV/FW/FX/FY/FZ/FA (4T) 03-11 R
 WR 250 FR/FS/FT/FV/FW/FX/FY/FZ/FA (4T) 03-11 R
 WR 250 XX/XY/XZ (Supermotard) 08-11 R
 WR 250 RX/RV/RZ/RA 08-11 R
 YZ 450 FR/FS/FT/FV/FW/FX/FY/FZ/FA 03-11 R
 WR 450 FR/FS/FT/FV/FW/FX/FY/FZ/FA 03-11 R

KAWASAKI DIRT

KX 250 N1/N2 (KX 250 F) 04-05 R
 KX 250 F (T6F/T7F/T8F) 06-08 R
 KX 250 F (W9F/XAFB/YBF) (4T) 09-11 R
 KX 450 F (D6F/D7F/D8F) 06-08 R
 KX 450 F (E9F/EAF/EBF) 09-11 R
 KLX 450 R (A8F/A9F/AAF/ABF) 08-11 R

SUZUKI DIRT

RM-Z 250 K4/K5/K6/K7/K8/K9/L0 04-11 R
 RM-Z 450 K5/K6/K7/ZK7/K8/K9/L0/L1 05-11 R

APRILIA DIRT

RVX 450/550 06-11 R
 MXV 4.5 09-11 R
 SVX 4.5/5.5 (450/550) (Radial mount caliper) 06-11 R

BETA DIRT

RR 250 4T 05-08 R
 RR 400 4T 05-11 R
 RS 400 Dual Sport (4T) 08-11 R
 SM 400 Supermoto (4T) 10-11 R
 RR 450 4T 05-11 R
 RS 450 Dual Sport (4T) 08-11 R
 SM 450 Supermoto (4T) 10-11 R
 RS 520 Dual Sport (4T) 08-11 R
 SM 520 Supermoto (4T) 10-11 R
 RR 525 4T 05-11 R

GAS-GAS DIRT

EC 125 (All models/2T) 10-11 R
 EC 200/250/300 (All models/2T) 10-11 R

SHERCO DIRT

2.5i Enduro 05-10 R
 4.5i Enduro 05-10 R
 4.5 Supermoto 04-07 R
 4.5i Supermoto 08-10 R
 5.1i Enduro 05-10 R

Competitor X Ref

| SBS | Vesrah | Ferodo |
|-----|--------|---------|
| 790 | VD271 | FDB2162 |

| | | |
|--------|-----------|---------------------------|
| STD | FA367X | Red - Off Road |
| OPTION | FA367R | Sintered Off Road Utility |
| OPTION | MXS367 | Sintered Off Road Race |
| OPTION | EPFA367HH | Sintered Off Road Race |

Equivalents OE#

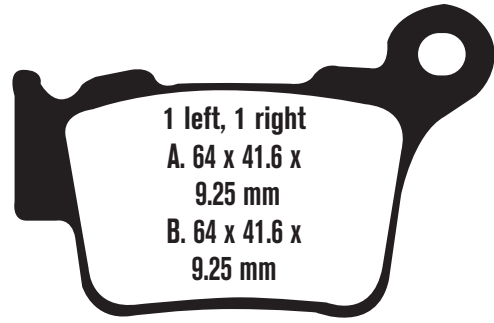
| | | |
|--------------|-------------|---------------|
| 5UN W0046 00 | 69100 35810 | 43082 0048 |
| 5UN W0046 50 | 43082 0006 | 25 25362 |
| K4308 20006 | 225362000 | BE 675 002509 |

Dealer Stocking Recommendation

| Single/Pair | Popularity # | Rec Stocking Level |
|-------------|--------------|--------------------|
| 1 | N/A | 4 |

FA368

Refit old shim & insulator



| | | | | | | | |
|-----------------------------|-------|---|--|---|-------|---|--|
| BMW | | | | | | | |
| G 450 X | 08-11 | R | | SX-F 250 | 06-11 | R | |
| HUSABERG | | | | SX 250 | 03-11 | R | |
| FE 390 | 10-11 | R | | XC-F 250 | 06-08 | R | |
| FE 450 Enduro | 09-11 | R | | XC-F-W 250 | 06-08 | R | |
| FX 450 | 10-11 | R | | XCF-W 250 Six Days | 11 | R | |
| FE 570 Enduro | 09-11 | R | | XC 250 | 06-08 | R | |
| FS 570 Supermoto | 10-11 | R | | XC-W 250 | 06-11 | R | |
| HUSQVARNA | | | | XC 250 | 10-11 | R | |
| CR 125 | 05-11 | R | | EXC 300 (Upside down forks) | 04-08 | R | |
| TE 125 | 11 | R | | EXC 300 | 04-07 | R | |
| WR 125 | 06-11 | R | | MXC 300 (Upside down forks) | 04-06 | R | |
| CR 250 | 05 | R | | XC 300 | 06-08 | R | |
| TC 250 | 05-11 | R | | XC-W 300 | 06-08 | R | |
| TE 250 | 06-11 | R | | XC-W 300 | 10-11 | R | |
| TE 250 (2T) | 11 | R | | XC 300 | 10-11 | R | |
| TXC 250 Cross Country | 08-11 | R | | SX-F 350 | 11 | R | |
| WR 250 | 06-11 | R | | XC/EXC 400 | 04-07 | R | |
| XC-W 250 | 10 | R | | XC-W 400 | 08-11 | R | |
| XCF-W 250 | 10 | R | | EXC 450 | 04-07 | R | |
| TE 300 (2T) | 11 | R | | EXC 450 (4T) | 09-10 | R | |
| WR 300 | 09-11 | R | | EXC 450 | 10-11 | R | |
| TE 310 (4T) | 09-11 | R | | SMR 450 | 04-05 | R | |
| XC-W 400 | 10 | R | | SX-F 450 | 03-11 | R | |
| TE 410 | 06 | R | | XCR-W 450 | 08 | R | |
| TC 449 | 11 | R | | EXC-R 450 | 08 | R | |
| TE 449 (4T) | 11 | R | | XC-F 450 | 08 | R | |
| SMR 450 RR (Radial caliper) | 06-08 | R | | 450 XC-W (4T) Six Days/Champion Edition | 10 | R | |
| SM 450 R (Radial caliper) | 07-10 | R | | XCR-W 450 | 09 | R | |
| TC 450 | 05-11 | R | | XC-W 450 Six Days | 10-11 | R | |
| TE 450 | 06-11 | R | | XC-F 505 | 08 | R | |
| TXC 450 Cross Country | 08-11 | R | | EXC 525 | 04-07 | R | |
| SM 510 R (Radial caliper) | 06-11 | R | | SMR 525 | 04-05 | R | |
| TC 510 | 05-09 | R | | SX 525 | 03-05 | R | |
| TE 510 | 06-11 | R | | EXC 530 (4T) | 09-11 | R | |
| TXC 510 Cross Country | 08-11 | R | | EXC 530 | 10-11 | R | |
| TE 511 (4T) | 11 | R | | XCR-W 530 | 08 | R | |
| KTM | | | | EXC-R 530 | 08 | R | |
| SX 125 | 04-11 | R | | XC-W 530 (4T) Six Days | 10 | R | |
| SX 150 | 08-11 | R | | SMR 560 | 06 | R | |
| XC 150 | 10-11 | R | | SXC 625 | 05-06 | R | |
| XC/EXC 200 | 04-08 | R | | SX-F 505 | 07 | R | |
| XC-W 200 | 07-11 | R | | XC 525 Desert Racing | 07 | R | |
| XC 200 | 06-08 | R | | 450 SMR | 07 | R | |
| XC/EXC 250 | 04-07 | R | | 560 SMR | 07 | R | |
| XC/XC 250 F | 06-07 | R | | | | | |

Equivalents OE#

| | |
|----------------|-----------|
| 548 13 090 000 | 8000A2790 |
| 548 13 090 100 | |

| | | |
|---------------|------------------|---------------------------|
| STD | FA368X | Red - Off Road |
| OPTION | FA368R | Sintered Off Road Utility |
| OPTION | MXS368 | Sintered Off Road Race |
| OPTION | EPFA368HH | Sintered Off Road Race |

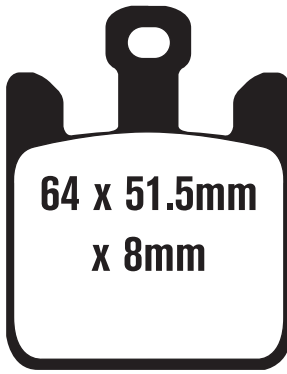
Competitor X Ref

| | | |
|------------|---------------|---------------|
| SBS | Vesrah | Ferodo |
| 791 | VD997 | FDB2165 |

Dealer Stocking Recommendation

| | | |
|--------------------|---------------------|---------------------------|
| Single/Pair | Popularity # | Rec Stocking Level |
| 1 | N/A | 1 |

FA369/4



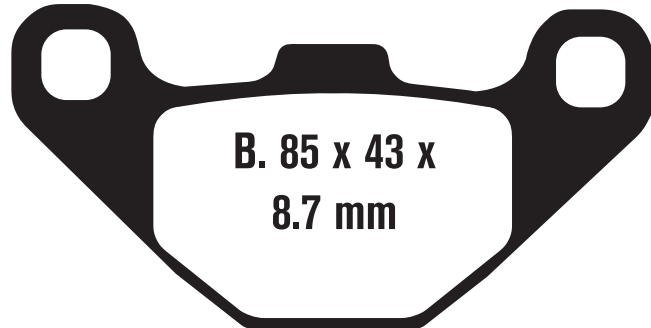
**NOTE: Pads are sold as 4pcs per set
- i.e. one caliper set**

| <u>KAWASAKI</u> | | |
|---|-------|---|
| ZX6RR (ZX 600 K1/M1/N1/N6F) | 03-06 | F |
| ZX6R (ZX 636 B1/B2/C1/C6F) | 03-06 | F |
| ZX-10 R (ZX 1000 C1/C2/D6F/D7F) | 04-06 | F |
| ZX-12R (ZX 1200 B3/B4) | 04-05 | F |
| VN 1600 B2/B6F/B7F/B7FA/B8F/B8FA Mean Streak | 05-08 | F |
| <u>SUZUKI</u> | | |
| GSXR 1000 K3 (New radial mount caliper) | 03 | F |
| VZ 1600 K5 M95 Boulevard/Marauder | 05 | F |

| | | |
|---------------|--------------------|--------------------------|
| STD | FA369/4HH | Sintered HH Sport - Road |
| OPTION | EPFA369/4HH | Sintered HH Race |

| <u>Competitor X Ref</u> | <u>SBS</u> | <u>Vesrah</u> | <u>Ferodo</u> |
|---------------------------------------|--------------------|---------------------|---------------------------|
| | 788 | VD354 | FDB2164 |
| <u>Equivalents OE#</u> | 43082 0018 | 43082 1293 | 59100 18851 |
| | 43082 0019 | 43082 0037 | |
| <u>Dealer Stocking Recommendation</u> | <u>Single/Pair</u> | <u>Popularity #</u> | <u>Rec Stocking Level</u> |
| | 2 | - | 2 |

FA372

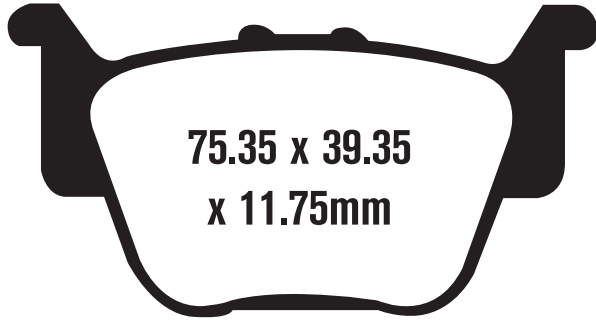


| <u>SUZUKI ATV</u> | | |
|---|-------|---|
| LT-A 500 FK3/FK4/FK5/FCK5/FK6/ FCK6/FK7/FCK7 | 03-07 | R |
| LT-F 500 FK3/FK4/FK5/FK6 | 03-06 | R |

| <u>Competitor X Ref</u> | <u>SBS</u> | <u>Vesrah</u> | <u>Ferodo</u> |
|---------------------------------------|--------------------|---------------------|---------------------------|
| | - | VD425/2 | - |
| <u>Equivalents OE#</u> | 69100 03850 | | |
| | 69100 03860 | | |
| <u>Dealer Stocking Recommendation</u> | <u>Single/Pair</u> | <u>Popularity #</u> | <u>Rec Stocking Level</u> |
| | 1 | N/A | 1 |

| | | |
|---------------|----------------|---------------------------|
| STD | FA372R | Sintered Off Road Utility |
| OPTION | FA372SV | Sintered ATV Severe Duty |

FA373



HONDA

| | | |
|--|-------|---|
| TRX 420 FPA Power Steering Fourtrax Rancher AT | 09-10 | R |
| TRX 420 FA Fourtrax Rancher AT | 09-10 | R |
| TRX 450 R/ER | 04-11 | R |
| TRX 650 FA Rincon | 03-05 | R |
| TRX 650 FGA Fourtrax Rincon Gpscape | 04-05 | R |
| TRX 680 FGA6/FGA7/FGA8 Fourtrax Rincon (675cc) Gpscape | 06-09 | R |
| TRX 680 FA Fourtrax Rincon | 06-11 | R |

Equivalents OE#

| | |
|---------------|---------------|
| 06435 HN8 006 | 06435 HN8 016 |
|---------------|---------------|

Competitor X Ref

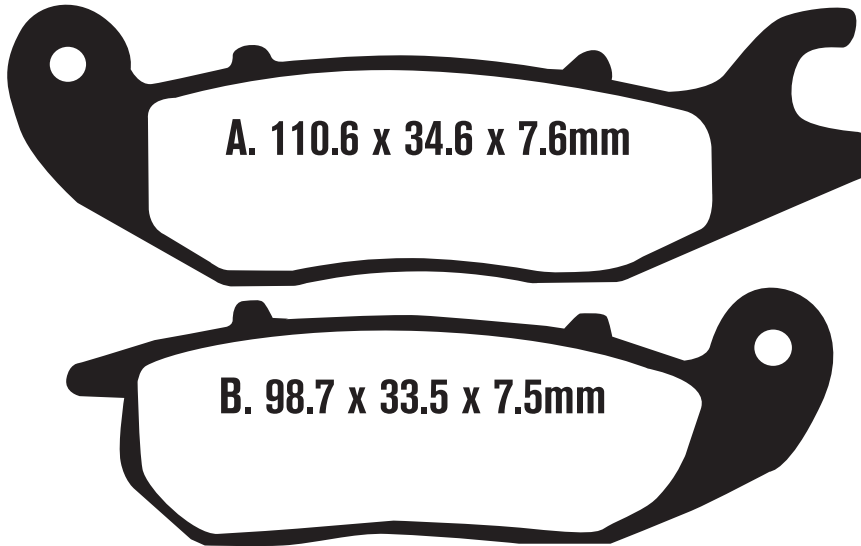
| | | |
|-------------------|------------------------|--------------------|
| SBS 813 | Vesrah VD171 | Ferodo - |
|-------------------|------------------------|--------------------|

| | | |
|--------|---------|---------------------------|
| STD | FA373X | Red - Off Road |
| OPTION | FA373R | Sintered Off Road Utility |
| OPTION | FA373SV | Sintered ATV Severe Duty |

Dealer Stocking Recommendation

| | | |
|--------------------|---------------------|---------------------------|
| <u>Single/Pair</u> | <u>Popularity #</u> | <u>Rec Stocking Level</u> |
| 1 | N/A | 1 |

FA375



HONDA

| | | |
|---------------------|----|---|
| CBR 125 R8 (Canada) | 08 | F |
|---------------------|----|---|

Equivalents OE#

| |
|---------------|
| 06455 KPH 951 |
| 06455 KPP 901 |
| 0000 640 7210 |

Competitor X Ref

| | | |
|-------------------|------------------------|--------------------|
| SBS 813 | Vesrah VD171 | Ferodo - |
|-------------------|------------------------|--------------------|

Dealer Stocking Recommendation

| | | |
|--------------------|---------------------|---------------------------|
| <u>Single/Pair</u> | <u>Popularity #</u> | <u>Rec Stocking Level</u> |
| 1 | N/A | 1 |

| | | |
|-----|-------|--------------|
| STD | FA375 | Black - Road |
|-----|-------|--------------|

FA376 USE FA424



| | | |
|---------------|----------------|-------------------|
| STD | FA376 | Black - Road |
| OPTION | FA376HH | Sintered HH Sport |

Equivalents OE#

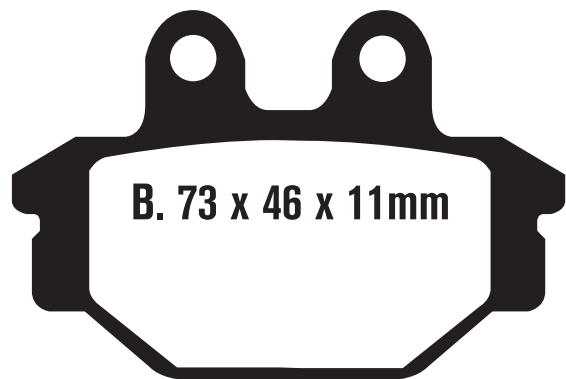
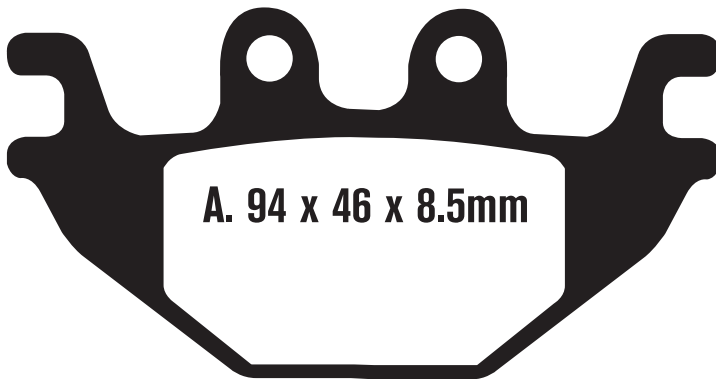
Competitor X
Ref

| | | |
|------------|---------------|---------------|
| SBS | Vesrah | Ferodo |
| - | - | - |

Dealer Stocking
Recommendation

| | | |
|--------------------|---------------------|---------------------------|
| Single/Pair | Popularity # | Rec Stocking Level |
| 1 | N/A | 1 |

FA377



ARCTIC CAT

| | | |
|-------------|-------|-------|
| 250 Utility | 06-09 | F & R |
| 250 DVX | 06-08 | F |
| 300 DVX | 09-11 | F |

BOMBARDIER

| | | |
|--------|----|-------|
| DS 250 | 06 | F & R |
|--------|----|-------|

CAN AM

| | | |
|-----------------|-------|-------|
| DS 250 (3J7A/B) | 07-11 | F & R |
|-----------------|-------|-------|

KYMCO

| | | |
|------------------|-------|-------|
| KXR 250 Mongoose | 04-10 | F |
| MXU 250 | 04-11 | F |
| MXU 300 | 05-11 | F & R |
| Mongoose 300 | 06-11 | F |
| MXU 500 | 06-10 | F & R |

| | | |
|-------------------------------|-------|-------|
| MXU 500 4X4 IRS Parking brake | 10-11 | |
| UXV 500 4x4 (All models) | 08-11 | F & R |

SYM ATV

| | | |
|----------------|-------|-------|
| Quadlander 300 | 07-10 | F & R |
| Quadlander 600 | 08-10 | R |

TGB ATV

| | | |
|---|-------|-------|
| Outback 425 X 4x4 | 07-09 | F & R |
| Outback 425 S.E. 4x4 Auto | 07-09 | F & R |
| Outback 425 Real Tree Camo Edition 4x4 Auto | 07-09 | F & R |

Equivalents OE#

| | |
|-----------------|----------|
| 45105 LBA7 3050 | 3305-258 |
| S4511ARCA000 | 515050 |
| S4311ARCA000 | 515049 |
| 3303-908 | |

Competitor X
Ref

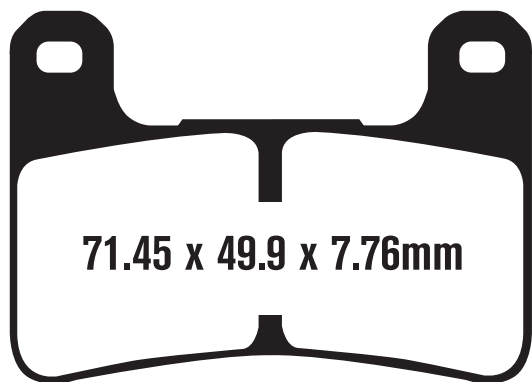
| | | |
|------------|---------------|---------------|
| SBS | Vesrah | Ferodo |
| 810 | - | - |

| | | |
|---------------|---------------|---------------------|
| STD | FA377X | Black - Off Road |
| OPTION | FA377R | Sintered - Off Road |

Dealer Stocking
Recommendation

| | | |
|--------------------|---------------------|---------------------------|
| Single/Pair | Popularity # | Rec Stocking Level |
| 2 | N/A | 2 |

FA379



71.45 x 49.9 x 7.76mm

KAWASAKI

| | | |
|-----------------------------|-------|---|
| ZX10R (ZX 1000 E8F/E9F/FAF) | 08-10 | F |
| ZX10R (ZX 1000 JBF) | 11 | F |
| ZX10R ABS (ZX 1000 KBF) | 11 | F |
| Z 1000 (ZR 1000 DAF/CBF) | 10-11 | F |
| 1000 Ninja (ZX 1000 GBF) | 11 | F |

SUZUKI

| | | |
|---|-------|---|
| GSXR 600 K4/K5/XK5/K6/K7/K8/K9 | 04-10 | F |
| GSXR 750 K4/K5/XK5/K6/K7/K8/K9 | 04-10 | F |
| GSXR 1000 K4/ZK4/K5/K6/K7/K8/K9 | 04-11 | F |
| GSX 1300 RK8/RK9/RL | 08-11 | F |
| VZR 1800 K6/K7/ZK7/RK8/ZK8/RK9/RZK9/RZL Boulevard M109R | 06-11 | F |
| VZR 1800 R2K8/R2K9/R2L Boulevard R2 (M109R2) | 08-11 | F |

| Equivalents OE# | |
|-----------------|-------------|
| 59100-29820 | 43082 0091 |
| 59100 29850 | 43082 0113 |
| 59100 29840 | 59300 47890 |

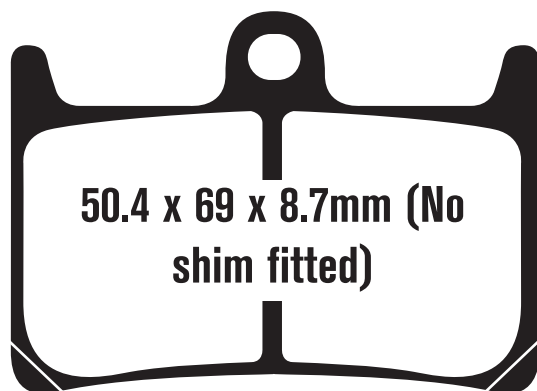
| Competitor X Ref | SBS | Vesrah | Ferodo |
|------------------|-----|--------|--------|
| | 806 | VD355 | - |

| | | |
|--------|-------------|------------------------|
| STD | FA379HH | Sintered HH Sport Road |
| OPTION | EPFA379HH | Sintered HH Race |
| OPTION | EPFA379HHLC | Sintered HH Race |

Dealer Stocking Recommendation

| Single/Pair | Popularity # | Rec Stocking Level |
|-------------|--------------|--------------------|
| 2 | N/A | 2 |

FA380



50.4 x 69 x 8.7mm (No shim fitted)

YAMAHA

| | | |
|----------------------------|-------|---|
| YZF-R6 T/V/W (310mm rotor) | 05-07 | F |
| YZF R1 | 04-05 | F |
| YZF R1 LE | 06 | F |
| YZF-R6 X/Y/Z/A | 08-11 | F |
| (FZ1) FZS 1000 V/W/X/Y/Z/A | 06-11 | F |
| FZ8 | 11 | F |
| XT 1200 Z Super Tenere | 12 | F |

| | |
|-----------------|--------------|
| Equivalents OE# | 5VY W0045 00 |
|-----------------|--------------|

| Competitor X Ref | SBS | Vesrah | Ferodo |
|------------------|-----|--------|--------|
| | 634 | - | - |

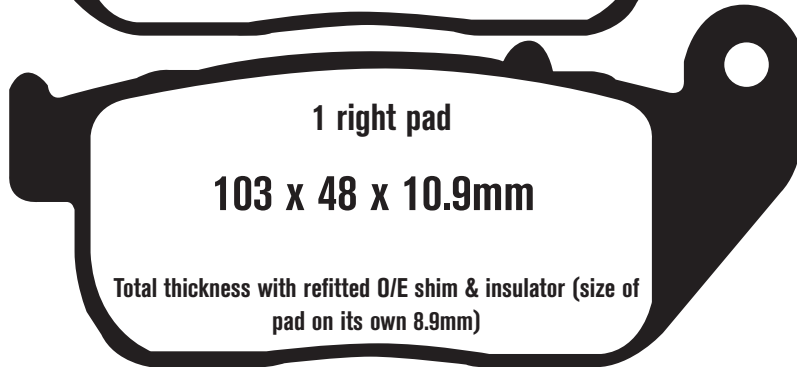
Dealer Stocking Recommendation

| Single/Pair | Popularity # | Rec Stocking Level |
|-------------|--------------|--------------------|
| 2 | N/A | 2 |

| | | |
|--------|-------------|------------------|
| STD | FA380HH | Sintered HH Road |
| OPTION | EPFA380HH | Sintered HH Race |
| OPTION | EPFA380HHLC | Sintered HH Race |

FA381

Note: When using HH version refit the original heat insulator and shim. **DO NOT** use the shim and insulator when using the standard EBC black pads.



HARLEY DAVIDSON

| | | |
|-----------------------------------|-------|---|
| XL 883 Sportster Standard | 04-08 | F |
| XL 883 C Sportster Custom | 04-10 | F |
| XL 883 L "883 Low" | 04-10 | F |
| XL 883 R Sportster R | 05-09 | F |
| XL 883 R Roadster | 10 | F |
| XL 883 N Iron | 09-11 | F |
| XL 883 L Superlow | 11 | F |
| XL 1200 C Sportster Custom | 04-10 | F |
| XL 1200 L Sportster Low | 07-11 | F |
| XL 1200 N Nightster (Spoke wheel) | 08-11 | F |
| XL 1200 R Sportster Roadster | 04-08 | F |
| XL 1200 X Sportster Forty Eight | 10-11 | F |

Equivalents OE#

Competitor X Ref

| SBS | Vesrah | Ferodo |
|-----|--------|--------|
| 807 | VD9009 | - |

Dealer Stocking Recommendation

| Single/Pair | Popularity # | Rec Stocking Level |
|-------------|--------------|--------------------|
| 2 | N/A | 2 |

| | | |
|--------|---------|------------------|
| STD | FA381 | Black - Road |
| OPTION | FA381HH | Sintered HH Road |

FA387

HARLEY DAVIDSON

| | | |
|-----------------------------------|-------|---|
| XL 883 Sportster Standard | 04-08 | R |
| XL 883 C Sportster Custom | 04-10 | R |
| XL 883 L "883 Low" | 04-10 | R |
| XL 883 R Sportster R | 05-09 | R |
| XL 883 R Roadster | 10 | R |
| XL 883 N Iron | 09-11 | R |
| XL 883 L Superlow | 11 | R |
| XL 1200 C Sportster Custom | 04-10 | R |
| XL 1200 L Sportster Low | 07-11 | R |
| XL 1200 N Nightster (Spoke wheel) | 08-11 | R |
| XL 1200 R Sportster Roadster | 04-08 | R |
| XL 1200 X Sportster Forty Eight | 10-11 | R |
| XR 1200 | 08-10 | R |
| XR 1200 X | 10-11 | R |

Equivalents OE#

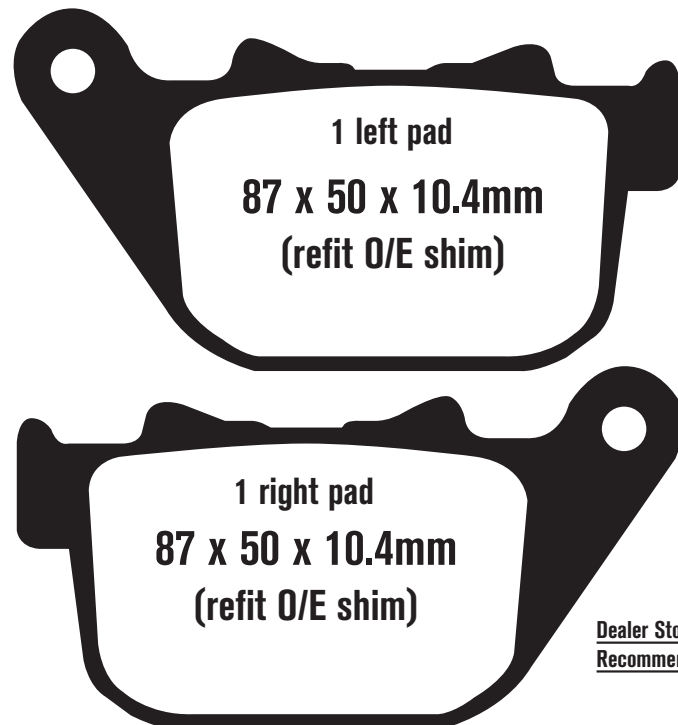
Competitor X Ref

| SBS | Vesrah | Ferodo |
|-----|--------|--------|
| 808 | VD9010 | - |

Dealer Stocking Recommendation

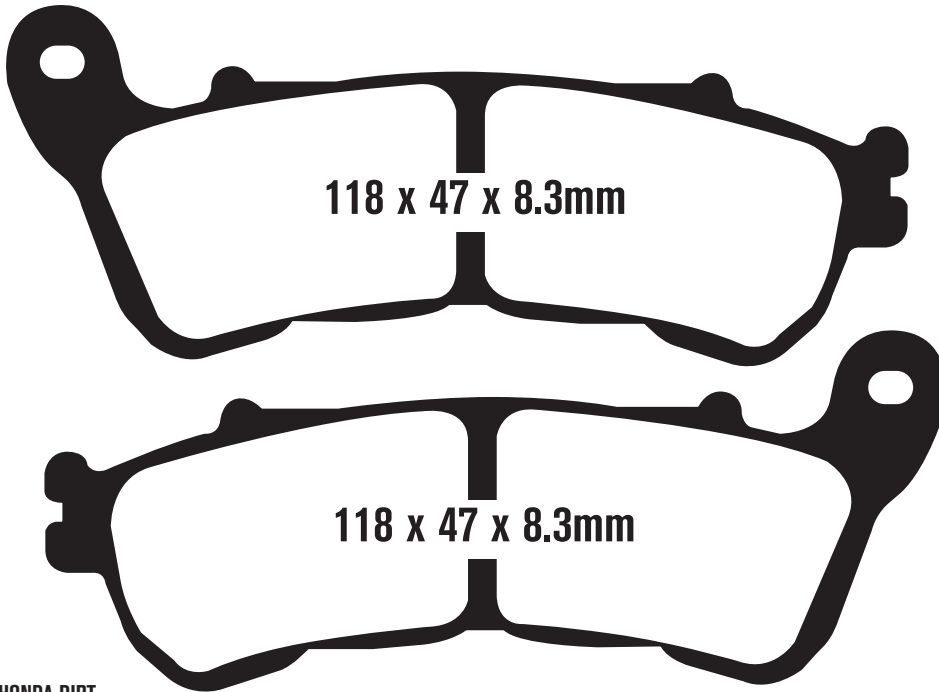
| Single/Pair | Popularity # | Rec Stocking Level |
|-------------|--------------|--------------------|
| 1 | N/A | 1 |

| | | |
|--------|---------|------------------|
| STD | FA387 | Black - Road |
| OPTION | FA387HH | Sintered HH Road |



FA388

(Refit O/E shim)



HONDA DIRT

XL 1000 VA8 Varadero (Canada)

HONDA STREET

CBR 250 R

PS 250 Big Ruckus

NSA 700 A9 "DN-01"

NT 700 VVA (ABS)

VFR 800/A Interceptor (ABS)

CBF 1000 A8 (Canada)

ST 1300/ST 1300 A ABS

VT 1300 CXAA Fury (ABD Model)

SUZUKI STREET

C 109 RT Boulevard (1783cc) VLR 1800 RTK8/RTK9/RL0

C 109 R Boulevard (VLR 1800 K8/K9 1783cc)

VLR 1800 TK8/TK9/TKL0 C109 RT Touring

VLR 1800 K8/K9/L0 C109 R

| | |
|-------|-----|
| 08 | F |
| 11 | F |
| 05-06 | F |
| 09-11 | F |
| 10-11 | F |
| 06-10 | F |
| 08 | F&R |
| 08-11 | F |
| 10- | F |
| 08-10 | F |
| 08-10 | F |
| 08-10 | F |
| 08-10 | F |

Equivalents OE#

| |
|---------------|
| 06455 KSV J03 |
| 06455 KSV J41 |
| 06455 KSV J01 |
| 06455 MCS R01 |
| 59100 22830 |
| 59300 22830 |

Competitor X Ref

| SBS | Vesrah | Ferodo |
|-----|--------|--------|
| - | - | - |

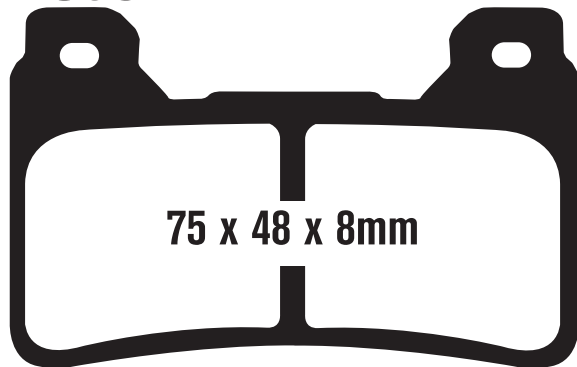
| | | |
|--------|---------|------------------|
| STD | FA388 | Black - Road |
| OPTION | FA388HH | Sintered HH Road |

Dealer Stocking Recommendation

| Single/Pair | Popularity # | Rec Stocking Level |
|-------------|--------------|--------------------|
| 1 | N/A | 1 |

FA389 Use FA185

FA390



HONDA

| | | |
|---------------------------|-------|---|
| CBR 600 RR/RRA | 05-11 | F |
| CBR 600 RA9/RAA ABS Model | 09-11 | F |
| CB 1000 R | 11 | F |
| CBR 1000 RR/RRA | 04-11 | F |
| CBR 1000 RA9/RAA | 09-11 | F |

Equivalents OE#

| |
|---------------|
| 06455 MEL 003 |
| 06455 MFJ D01 |

Competitor X Ref

| SBS | Vesrah | Ferodo |
|-----|--------|--------|
| 809 | VD170 | N/A |

| | | |
|--------|-----------|------------------|
| STD | FA390HH | Sintered HH Road |
| OPTION | EPFA390HH | Sintered HH Race |

Dealer Stocking Recommendation

| Single/Pair | Popularity # | Rec Stocking Level |
|-------------|--------------|--------------------|
| 2 | N/A | 2 |

All part numbers, prefixes and suffixes shown in this catalog are unique and form a registered copyright as the property of EBC Brakes and its UK trademark owners

FA395



95 x 48 x 7mm

Equivalents OE#

| | |
|----------|----------------|
| 0502 604 | 1436-165 |
| 0502 875 | 1502-694 |
| 2203045 | 45105 PWB 1305 |

Competitor X Ref

| | | |
|------------|---------------|---------------|
| SBS | Vesrah | Ferodo |
| N/A | N/A | N/A |

ARCTIC CAT

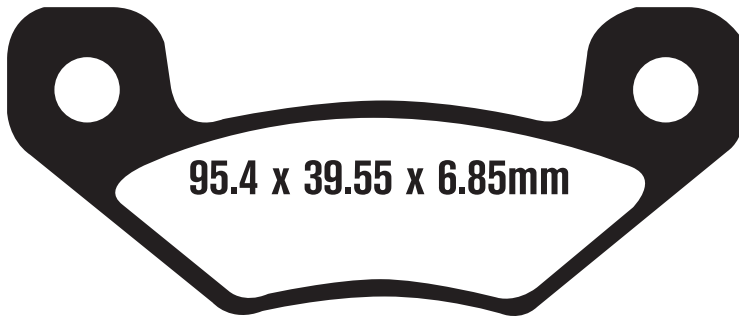
| | | |
|----------------------------------|-------|-------|
| 250 (2 x 4 / 4 x 4) | 05 | F & R |
| 300 (4 x 4) | 05 | F & R |
| 300 2x4 | 10-11 | F & R |
| 366 (Auto 4 x 4) | 07-11 | F & R |
| 400 (Auto) | 05-08 | F & R |
| 400 (4 x 4 Manual) | 05-08 | F & R |
| 400 TRV 4x4 2 Up | 09-11 | F & R |
| 450 HI | 10 | F & R |
| 500 (Auto) | 05-09 | F & R |
| 500 (Manual 4 x 4) | 05-09 | F & R |
| 500 H1 EFI | 09-11 | F & R |
| TRV 550 (J1 EFI 2-UP) | 09-10 | F & R |
| TRV 550 GT EFI | 11 | F & R |
| 550 LTD EFI | 11 | F & R |
| 550 Prowler 4x4 XT | 09-11 | F & R |
| 650 HI Mudpro | 10-11 | F & R |
| 650 HI | 11 | F & R |
| 650 HI TBX 4x4 Auto | 09-10 | F & R |
| 650 HI TRV 4x4 Auto | 09 | F & R |
| 650 V2 V-Twin (4 x 4) | 04-05 | F & R |
| XT 650 Prowler | 05-10 | F & R |
| 700 (Auto 4 x 4 / EFI / Diesel) | 06-08 | F & R |
| 700 Prowler XTX 4x4 | 09-11 | F & R |
| 700 HI EFI 4x4 Auto (All models) | 09-10 | F & R |
| 700 HI TBX EFI (4x4 Auto) | 11 | F & R |
| 700 H TRV (All models) | 09-11 | F & R |
| 700 LTD EFI (4x4 Auto) | 11 | F & R |
| 700 Super Duty Diesel | 10 | F & R |
| 750 HI Mudpro | 09-11 | F & R |
| Thundercat 1000 H2 | 08-11 | F & R |
| 1000 H2 Mudpro | 10-11 | F & R |
| 1000 TRV H2 | 09-11 | F & R |
| 1000 H2 Prowler XTZ | 09-11 | F & R |
| POLARIS | | |
| Hawkeye 300 2x4/4x4 | 06 | F & R |

| | | |
|---------------|---------|--------------------------|
| STD | FA395X | Red - Off Road |
| OPTION | FA395R | Off Road Sintered |
| OPTION | FA395SV | Sintered ATV Severe Duty |

Dealer Stocking Recommendation

| | | |
|--------------------|---------------------|---------------------------|
| Single/Pair | Popularity # | Rec Stocking Level |
| 2 | N/A | 2 |

FA398



95.4 x 39.55 x 6.85mm

CAN AM

| | | |
|----------------------|-------|-------|
| DS 450 (2x4/EFI) | 08-11 | R |
| DS 450 X (2x4/EFI) | 08-11 | R |
| JOHN DEERE | | |
| Gator HPX All models | 04-08 | F & R |

Equivalents OE#

| |
|-----------|
| VGA 12182 |
| Z150-9261 |
| 705600485 |

Competitor X Ref

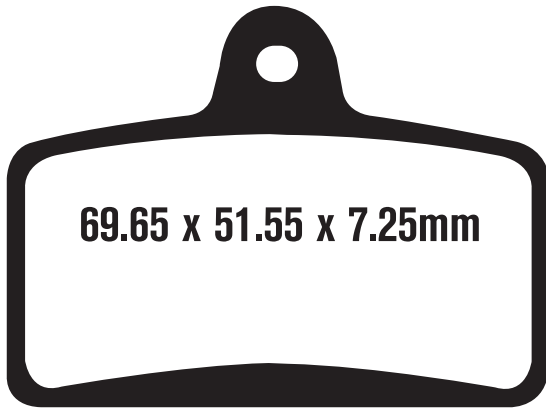
| | | |
|------------|---------------|---------------|
| SBS | Vesrah | Ferodo |
| - | - | - |

| | | |
|---------------|---------|--------------------------|
| STD | FA398R | Off Road Sintered |
| OPTION | FA398SV | Sintered ATV Severe Duty |

Dealer Stocking Recommendation

| | | |
|--------------------|---------------------|---------------------------|
| Single/Pair | Popularity # | Rec Stocking Level |
| 2 | 2 | 2 |

FA399



DERBI STREET

GPR 125/Nude (Radial Caliper)

05-06

F

Equivalents OE#

00H01201221

Competitor X Ref

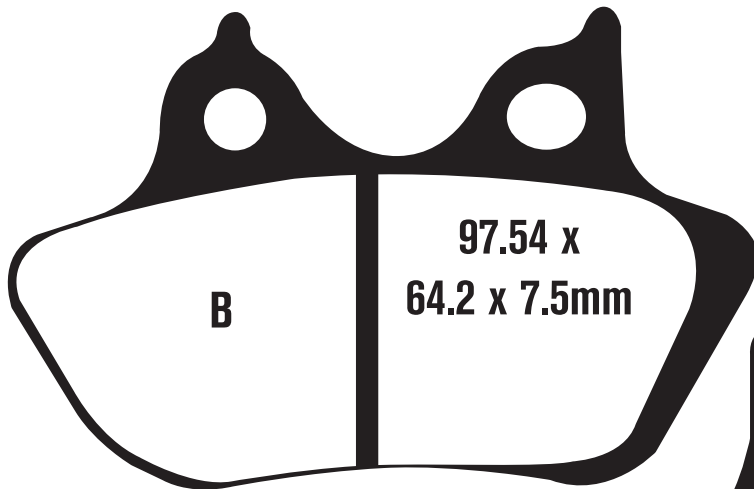
| | | |
|-------------------|--------------------|--------------------|
| <u>SBS</u> 821 | <u>Vesrah</u> - | <u>Ferodo</u> - |
|-------------------|--------------------|--------------------|

Dealer Stocking Recommendation

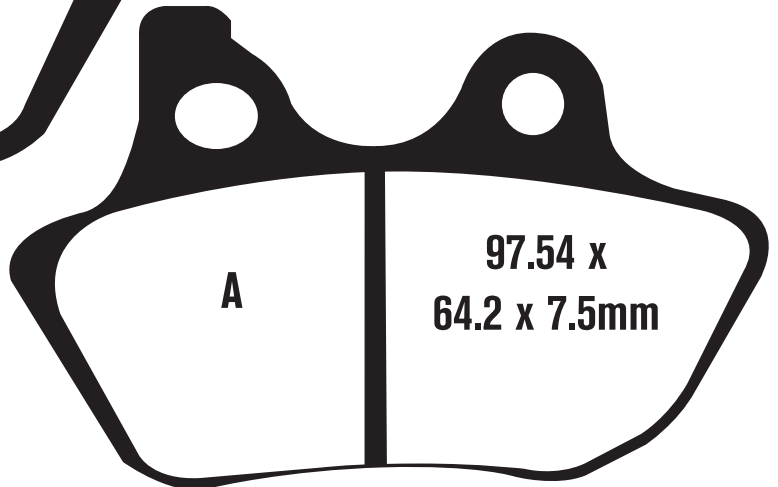
| | | |
|-------------------------|--------------------------|--------------------------------|
| <u>Single/Pair</u> 1 | <u>Popularity #</u> - | <u>Rec Stocking Level</u> - |
|-------------------------|--------------------------|--------------------------------|

STD FA399 Black - Touring - Road

FA400



Check pad shape to confirm correct pad has been selected



SEE MAIN APPLICATION PAGES FOR FITMENTS

Competitor X Ref

| | | |
|-------------------|--------------------|--------------------|
| <u>SBS</u> 826 | <u>Vesrah</u> - | <u>Ferodo</u> - |
|-------------------|--------------------|--------------------|

Equivalents OE#

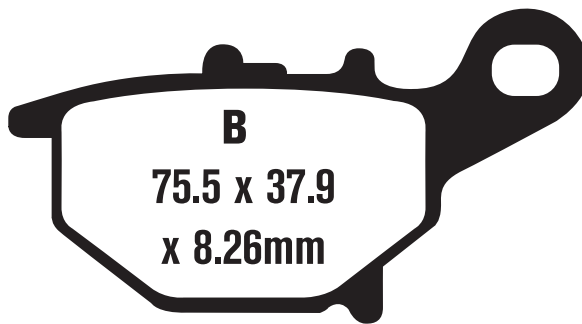
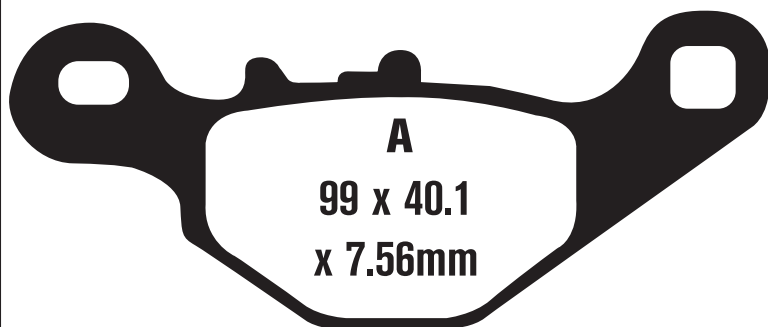
| |
|-----------|
| 44082 00C |
| 44082 00D |

Dealer Stocking Recommendation

| | | |
|-------------------------|----------------------------|--------------------------------|
| <u>Single/Pair</u> 1 | <u>Popularity #</u> N/A | <u>Rec Stocking Level</u> 4 |
|-------------------------|----------------------------|--------------------------------|

STD FA400 Black - Road
OPTION FA400HH Sintered HH - Road

FA401



SUZUKI

RM 85 LK5/K5/LK6/K6/K7/LK7/K8/LK8/K9/LK9/L0/LL0 05-11 R

Competitor X
Ref

| | | |
|-------------------|------------------------|--------------------------|
| <u>SBS</u> 820 | <u>Vesrah</u> VD358 | <u>Ferodo</u> FDB2197 |
|-------------------|------------------------|--------------------------|

Equivalents OE#

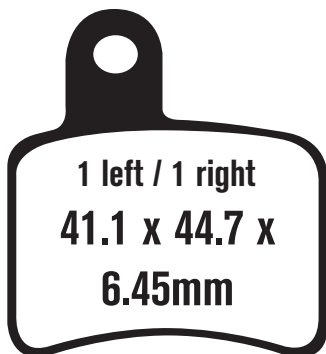
69100 03880

| | | |
|---------------|---------------|-----------------------------|
| STD | FA401X | Red - Off Road |
| OPTION | FA401R | Sintered - Off Road Utility |

Dealer Stocking
Recommendation

| | | |
|--------------------|---------------------|---------------------------|
| <u>Single/Pair</u> | <u>Popularity #</u> | <u>Rec Stocking Level</u> |
|--------------------|---------------------|---------------------------|

FA403



BETA DIRT

Evo 80 09-10 R
Rev 3 125/200 06-08 R
Rev 3 250/270 05-08 R

Competitor X
Ref

| | | |
|-----------------|--------------------|--------------------|
| <u>SBS</u> - | <u>Vesrah</u> - | <u>Ferodo</u> - |
|-----------------|--------------------|--------------------|

Equivalents OE#

25-25363

| | | |
|------------|---------------|------------------|
| STD | FA403X | Black - Off Road |
|------------|---------------|------------------|

Dealer Stocking
Recommendation

| | | |
|--------------------|---------------------|---------------------------|
| <u>Single/Pair</u> | <u>Popularity #</u> | <u>Rec Stocking Level</u> |
|--------------------|---------------------|---------------------------|

FA405



Note Pads are handed left & right
76.35 x 49.4 x 7.9mm

| | | |
|--|-------|---|
| FTE 4 piston radial caliper | 04-08 | |
| Husaberg | | |
| FS Supermotard Models | 05-08 | |
| KTM | | |
| SMR 450/525 | 05 | F |
| SMR 560 | 06 | F |
| APRILIA | | |
| SVX 4.5/5.5 (450/550) (Radial mount caliper) | 06-11 | F |

Equivalents OE# 586 13 030 100

| | | | |
|-------------------------|------------|---------------|---------------|
| Competitor X Ref | SBS | Vesrah | Ferodo |
| | - | VD9030 | - |

Dealer Stocking Recommendation

| | | |
|--------------------|---------------------|---------------------------|
| Single/Pair | Popularity # | Rec Stocking Level |
| - | - | - |

| | | |
|---------------|---------------------|------------------------|
| STD | MXS405 | Sintered Off Road Race |
| OPTION | EPFA405HH | Sintered HH Race |
| OPTION | EPFA405HHL C | Sintered HH Race |

FA406



Note Pads are handed left & right
102.2 x 47.8 x 7.9mm

| | |
|----------------------|----|
| FTE 6 piston caliper | |
| Husaberg | |
| FS Models | 04 |

Equivalents OE# 800 13 030 000

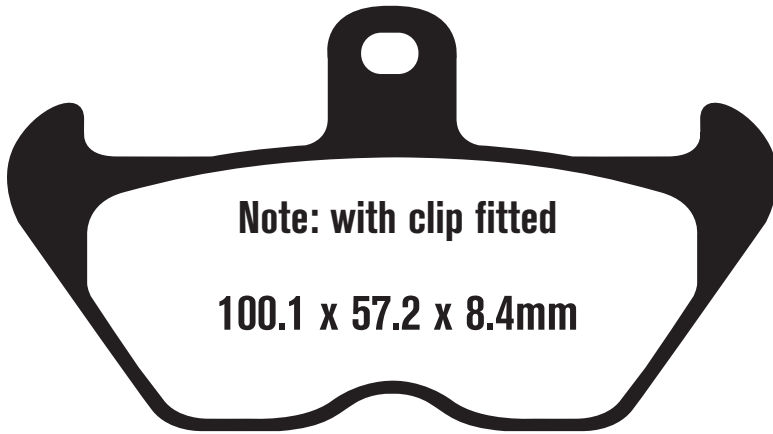
| | | | |
|-------------------------|------------|---------------|---------------|
| Competitor X Ref | SBS | Vesrah | Ferodo |
| | - | - | - |

Dealer Stocking Recommendation

| | | |
|--------------------|---------------------|---------------------------|
| Single/Pair | Popularity # | Rec Stocking Level |
| 1 | - | - |

| | | |
|---------------|------------------|------------------------|
| STD | MXS406 | Sintered Off Road Race |
| OPTION | EPFA406HH | Sintered HH Race |

FA407



Note: with clip fitted
100.1 x 57.2 x 8.4mm

Equivalents OE#

| |
|-----------------|
| 34 11 2 314 996 |
| 34 11 2 310 983 |

Competitor X Ref

| | | |
|-------------------|------------------------|--------------------------|
| SBS 703 | Vesrah VD959 | Ferodo FDB2050 |
|-------------------|------------------------|--------------------------|

BMW

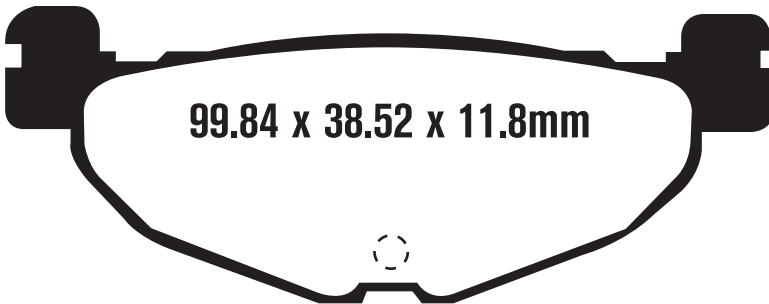
| | | |
|-----------------------------|----------|---|
| R 80 Mystic | 94-95 | F |
| R 80 R | 91-94 | F |
| R 100 Mystic | 93-96 | F |
| R 100 R | 91-95 | F |
| R 850 GS (STD & ABS models) | 96-00 | F |
| R 850 C (Cast wheel/ABS) | 97-00 | F |
| R 850 C (Spoke wheel/ABS) | 97-00 | F |
| R 850 R (Cast wheel/ABS) | 94-02 | F |
| R 850 R (Spoke wheel) | 94-05/96 | F |
| R 850 R (Spoke wheel) | 06/96-02 | F |
| R 850 RT (Cast wheel/ABS) | 96-01 | F |
| R 850 RT (Spoke wheel) | 96-01 | F |
| R 1100 GS (STD & ABS) | 93-99 | F |
| R 1100 R | 93-01 | F |
| R 1100 RS | 92-01 | F |
| R 1100 S | 96-11/00 | F |
| R 1100 RT | 94-01 | F |
| R 1150 GS (K80/0415) | 98-01 | F |
| R 1200 (Independence) | 00-02 | F |
| R 1200 C | 96-02 | F |
| K 100 RS (16 valve) | 89-92 | F |
| K1 (16 valve) | 88-93 | F |
| K 1200 RS | 96-00 | F |
| K 1200 LT | 97-10/00 | F |
| K 1100 LT | 89-99 | F |
| K 1100 RS | 92-96 | F |

| | | |
|----------------|----------------|--------------------------|
| STD | FA407 | Black - Touring - Road |
| OPTIONS | FA407HH | Sintered HH Sport - Road |

Dealer Stocking Recommendation

| | | |
|--------------------|---------------------|---------------------------|
| Single/Pair | Popularity # | Rec Stocking Level |
| 2 | - | 2 |

FA408



99.84 x 38.52 x 11.8mm

YAMAHA ROAD BIKE

| | | |
|-------------------------------|-------|---|
| CP 250 V/W/X Morplus | 06-08 | R |
| YP 400 RS/T/V/W/X/Y/Z Majesty | 05-10 | R |
| XP 500 Y/Z/A (T-Max) | 09-11 | R |

Competitor X Ref

| | | |
|-------------------|------------------------|--------------------------|
| SBS 812 | Vesrah VD275 | Ferodo FDB2200 |
|-------------------|------------------------|--------------------------|

Equivalents OE#

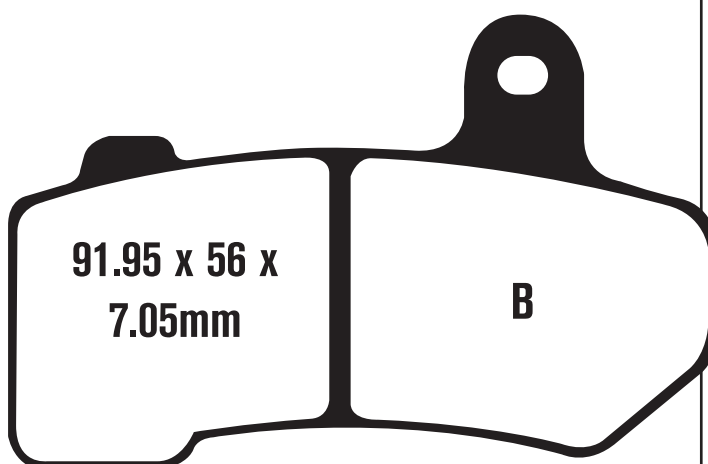
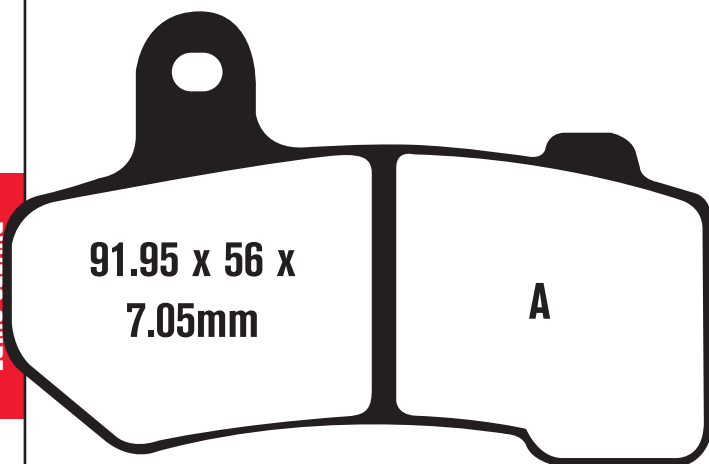
| |
|--------------|
| 5RU W0046 00 |
| 5VU W0046 01 |
| 1B7 W0046 00 |

| | | |
|----------------|----------------|------------------------|
| STD | FA408 | Black - Touring - Road |
| OPTIONS | FA408HH | Sintered Street Pads |

Dealer Stocking Recommendation

| | | |
|--------------------|---------------------|---------------------------|
| Single/Pair | Popularity # | Rec Stocking Level |
| 1 | - | - |

FA409



HARLEY DAVIDSON

| | | |
|--|-------|-------|
| VRSCR Street Rod | 05-07 | F & R |
| VRSCA V-Rod | 05-06 | F & R |
| VRSCD Night Rod | 05-08 | F & R |
| VRSCDX Night Rod Special | 07-09 | F & R |
| FLHR Road King | 08-11 | F & R |
| FLHRC Road King Classic | 08-11 | F & R |
| FLHX Street Glide | 08-11 | F & R |
| FLTR Road Glide | 08-09 | F & R |
| FLTRX Road Glide Custom | 10-11 | F & R |
| FLHT Electra Glide Standard | 08-10 | F & R |
| FLHTC Electra Glide Classic | 08-11 | F & R |
| FLHTCU Ultra Glide Classic Electra Glide | 08-11 | F & R |
| FLHTK Electra Glide Ultra Ltd | 10-11 | F & R |
| FLHXXX Street Glide Trike | 10-11 | F |
| FLHTCUTG Tri Glide Ultra Classic (Trike) | 09-11 | F |
| FLTRU Road Glide Ultra | 11 | F & R |
| VRSCAW V-Rod | 08-11 | F & R |
| VRSCG V-Rod Muscle | 08-11 | F & R |

Equivalents OE#

| | |
|-----------|-----------|
| 42850-06A | 41854-08 |
| 42897-08 | 41852-08 |
| 42897-06A | 42850 06B |

Competitor X Ref

| SBS | Vesrah | Ferodo |
|-----|--------|--------|
| 830 | VD9025 | - |

| | | |
|--------|---------|------------------------|
| STD | FA409 | Black - Touring - Road |
| OPTION | FA409HH | Sintered HH ROAD |

Dealer Stocking Recommendation

| Single/Pair | Popularity # | Rec Stocking Level |
|-------------|--------------|--------------------|
| 2 | - | 2 |

FA410



| | | |
|--|-----------|---|
| TRX 500 FA/FAA Fourtrax Foreman Rubicon | 05-109/11 | F |
| TRX 500 FE5/FE6/FE7/FE8 Fourtrax Foreman 4x4/ES | 05-08 | F |
| TRX 500 FE8/FE9 Fourtrax Foreman 4x4 EPS | 08-09 | F |
| TRX 500 FE/FA Fourtrax Foreman Rubicon Gpscape | 05-08 | F |
| TRX 500 FMA Fourtrax Foreman 4x4 | 05-10 | F |
| TRX 500 FPA9 Fourtrax Foreman Rubicon Gpscape with EPS | 09/11 | F |
| TRX 599 FPE Fourtrax Foreman 4x4 ES/EP | 08-10 | F |
| TRX 500 FPM8/FPM9 Fourtrax Foreman 4x4/EP | 08-09 | F |
| TRX 500 TM5/TM6 Fourtrax Foreman 2x4 | 05-06 | F |
| TRX 680 FA Fourtrax Rincon | 06-11 | F |
| TRX 680 FGA6/7/8/9 | 06-09 | F |
| TRX 700 XX | 08-11 | R |

Competitor X Ref

| SBS | Vesrah | Ferodo |
|-----|--------|--------|
| 829 | VD175 | - |

Equivalents OE#

| |
|---------------|
| 06451 HPO A01 |
| 06452 HPO A01 |
| 06435 HP6 A01 |

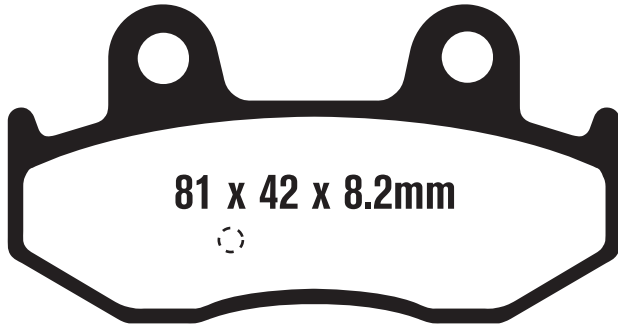
| | | |
|---------|---------|--------------------------|
| STD | FA410X | Red - Off Road - ATV |
| OPTIONS | FA410R | Sintered Off Road |
| OPTIONS | FA410SV | Sintered ATV Severe Duty |

Dealer Stocking Recommendation

| Single/Pair | Popularity # | Rec Stocking Level |
|-------------|--------------|--------------------|
| 1 | - | 1 |

All part numbers, prefixes and suffixes shown in this catalog are unique and form a registered copyright as the property of EBC Brakes and its UK trademark owners

FA411



SUZUKI

AN 400 K3/K4/K5/K6/SK6 Burgman 03-06 R

Equivalents OE#

| |
|-------------|
| 69100 14860 |
| 69100 14890 |

Competitor X Ref

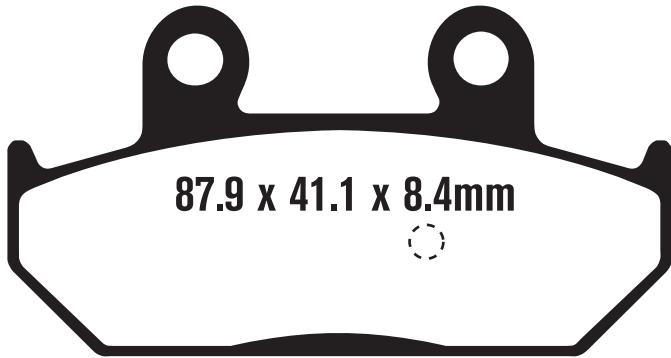
| SBS | Vesrah | Ferodo |
|-----|---------|---------|
| 781 | VD134/3 | FDB2132 |

| | | |
|---------|---------|------------------------|
| STD | FA411 | Black - Touring - Road |
| OPTIONS | FA411HH | Sintered HH Road |

Dealer Stocking Recommendation

| Single/Pair | Popularity # | Rec Stocking Level |
|-------------|--------------|--------------------|
| 1 | N/A | 1 |

FA412



SUZUKI STREET BIKE

AN 400 K7/K8/K9/AK9/AL1 Burgman 07-11 R

AN 650 K3/K4/AK4/K5/AK5/K6/AK6/K7/AK7

K8/AK8/K9/AK9/AL1 03-11 R

Competitor X Ref

| SBS | Vesrah | Ferodo |
|-----|--------|--------|
| 804 | VD357 | - |

Equivalents OE#

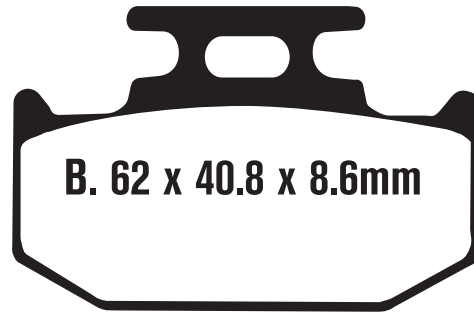
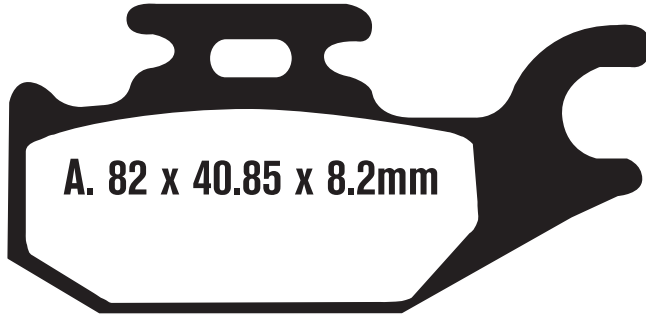
| |
|-------------|
| 69100 10840 |
| 69100 10860 |

| | | |
|---------|---------|------------------------|
| STD | FA412 | Black - Touring - Road |
| OPTIONS | FA412HH | Sintered HH Road |

Dealer Stocking Recommendation

| Single/Pair | Popularity # | Rec Stocking Level |
|-------------|--------------|--------------------|
| 1 | - | 1 |

FA413



SUZUKI

| | | |
|--|-------|--------|
| LT-A 400 FK8/FK9 King Quad 400 AS | 08-09 | F Left |
| LT-A 400 FCK8/9 King Quad 400 AS Camo | 08-09 | F Left |
| LT-A 400 FQK9 King Quad 400 AS Anniversary Edition | 08-09 | F Left |
| LT-F 400 FK8/FK9/FL0 King Quad 400 FS | 08-10 | F Left |
| LT-F 400 FCK8/FCK9 King Quad 400 FS Camo | 08-09 | F Left |
| LT-F 400 FQK9 King Quad 400 FS Anniversary Edition | 09 | F Left |
| LT-A 400 FK8 King Quad Auto 4WD | 08-09 | F Left |
| LT-F 400 K8 Manual 2WD | 08 | F Left |
| LT-A 400 FLi King Quad 400 ASi | 11 | F Left |
| LT-A 400 FCLi King Quad 400 ASi Camo | 11 | F Left |
| LT-F 400 FLi King Quad 400 FSi | 11 | F Left |
| LT-F 400 FCLi King Quad 400 FSi Camp | 11 | F Left |
| LT-A 450 XK7/XK8/XK9/XL0 King Quad 4x4 | 07-10 | F Left |
| LT-A 450 XCK7/8/9 King Quad 450 AXi Camo | 07-09 | F Left |
| LT-A 450 XZK8/XZK9 King Quad 450 AXi Special Edition | 08-09 | F Left |
| LT-A 500 XPK9/XPL1 King Quad 500 AXi Power Steering | 09-11 | F Left |
| LT-A 500 XLI King Quad 500 AXi | 11 | F Left |
| LT-A 500 XCLi King Quad 500 AXi Camo | 11 | F Left |
| LT-A 700 XK5/XCK6/XK6/XK7/XCK7 "Kingquad" | 05-09 | F Left |
| LT-A 750 XK8/XK9/XL1 King Quad 750 AXi | 08-11 | F Left |
| LT-A 750 XCK8/XCK9/XCL1 King Quad 750 AXi Camo | 08-11 | F Left |
| LT-A 750 XZK8/XZK9 King Quad 750 AXi Special Edition | 08-09 | F Left |
| LT-A 750 XRK9 King Quad 750 AXi Rockstar Edition | 09 | F Left |
| LT-A 750 XPX9/XPL1 King Quad 750 AXi Power Steering | 09-11 | F Left |
| LT-A 750 XPZX9 King Quad 750 AXi Power Steering Limited | 09 | F Left |
| LT-A 750 XPCk9/XPCL1 King Quad 750 AXi Power Steering Camo | 09-11 | F Left |

Equivalents OE# 59100 31860

Competitor X Ref

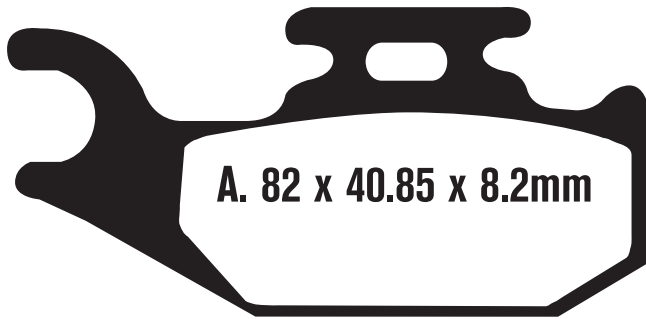
| | | |
|-------------------|--------------------|--------------------|
| SBS 835 | Vesrah - | Ferodo - |
|-------------------|--------------------|--------------------|

| | | |
|---------------|----------------|--------------------------|
| STD | FA413X | Red - Off Road - ATV |
| OPTION | FA413SV | Sintered ATV Severe Duty |
| OPTION | FA413R | Sintered ATV Off Road |

Dealer Stocking Recommendation

| | | |
|--------------------|---------------------|---------------------------|
| Single/Pair | Popularity # | Rec Stocking Level |
| 1 | - | 1 |

FA414



A. 82 x 40.85 x 8.2mm



B. 62 x 40.8 x 8.6mm

Competitor X Ref

| | | |
|-------------------|--------------------|--------------------|
| SBS 836 | Vesrah - | Ferodo - |
|-------------------|--------------------|--------------------|

Equivalents OE#

59100 31850

SUZUKI

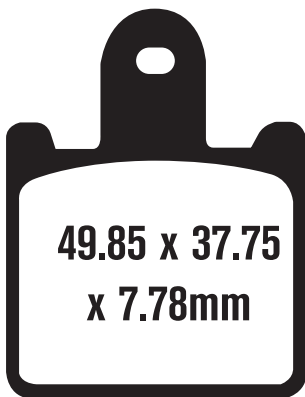
| | | |
|--|-------|---------|
| LT-A 400 FK8/FK9 King Quad 400 AS | 08-09 | F Right |
| LT-A 400 FCK8/9 King Quad 400 AS Camo | 08-09 | F Right |
| LT-A 400 FQK9 King Quad 400 AS Anniversary Edition | 08-09 | F Right |
| LT-F 400 FK8/FK9/FL0 King Quad 400 FS | 08-10 | F Right |
| LT-F 400 FCK8/FCK9 King Quad 400 FS Camo | 08-09 | F Right |
| LT-F 400 FQK9 King Quad 400 FS Anniversary Edition | 09 | F Right |
| LT-A 400 FK8 King Quad Auto 4WD | 08-09 | F Right |
| LT-A 400 FLi King Quad 400 ASi | 11 | F Right |
| LT-A 400 FCLi King Quad 400 ASi Camo | 11 | F Right |
| LT-F 400 K8 Manual 2WD | 08 | F Right |
| LT-F 400 FLi King Quad 400 FSi | 11 | F Right |
| LT-F 400 FCLi King Quad 400 FSi Camo | 11 | F Right |
| LT-A 450 XK7/XK8/XK9/XL0 King Quad 4x4 | 07-10 | F Right |
| LT-A 450 XCK7/8/9 King Quad 450 AXi Camo | 07-09 | F Right |
| LT-A 450 XZK8/XZK9 King Quad 450 AXi Special Edition | 08-09 | F Right |
| LT-A 500 XPK9 King Quad 500 AXi Power Steering | 09-11 | F Right |
| LT-A 500 XLi King Quad 500 AXi | 11 | F Right |
| LT-A 500 XCLi King Quad 500 AXi Camo | 11 | F Right |
| LT-A 700 XK5/XCK6/XK6/XK7/XCK7/XCK8/XCK9 "Kingquad" | 05-09 | F Right |
| LT-A 750 XK8/XK9/XL1 King Quad 750 AXi | 08-11 | F Right |
| LT-A 750 XCK8/XCK9/XCL1 King Quad 750 AXi Camo | 08-11 | F Right |
| LT-A 750 XZK8/XZK9 King Quad 750 AXi Special Edition | 08-09 | F Right |
| LT-A 750 XRK9 King Quad 750 AXi Rockstar Edition | 09 | F Right |
| LT-A 750 XPK9/XPL1 King Quad 750 AXi Power Steering | 09-11 | F Right |
| LT-A 750 XPZX9 King Quad 750 AXi Power Steering Limited | 09 | F Right |
| LT-A 750 XPCK9/XPCL1 King Quad 750 AXi Power Steering Camo | 09-11 | F Right |

| | | |
|---------------|----------------|--------------------------|
| STD | FA414X | Off Road - ATV |
| OPTION | FA414SV | Sintered ATV Severe Duty |
| OPTION | FA414R | Sintered ATV Off Road |

Dealer Stocking Recommendation

| | | |
|--------------------|---------------------|---------------------------|
| Single/Pair | Popularity # | Rec Stocking Level |
| 1 | - | 1 |

FA417/4



**49.85 x 37.75
x 7.78mm**

KAWASAKI STREET

| | | |
|---|-------|---|
| ZX6R (ZX 600 P7F/P8F/R9F/RAF/RBF) | 07-11 | F |
| Z 1000 (ZR 1000 B7F/B8F) | 07-08 | F |
| Z 1000 (ABS) ZR 1000 C7F | 07 | F |
| Concours 14 (ZG 1400 B8F/B9F/DAF) | 08-11 | F |
| Concours 14 ABS (ZG 1400 A8F/A9F/CAF/CBF) | 08-11 | F |
| ZX 14 Ninja (ZX 1400 A6F/A7F/C8F/C9F/CAF/CBF) | 06-11 | F |

Competitor X Ref

| | | |
|-------------------|------------------------|--------------------|
| SBS 838 | Vesrah VD354 | Ferodo - |
|-------------------|------------------------|--------------------|

Equivalents OE#

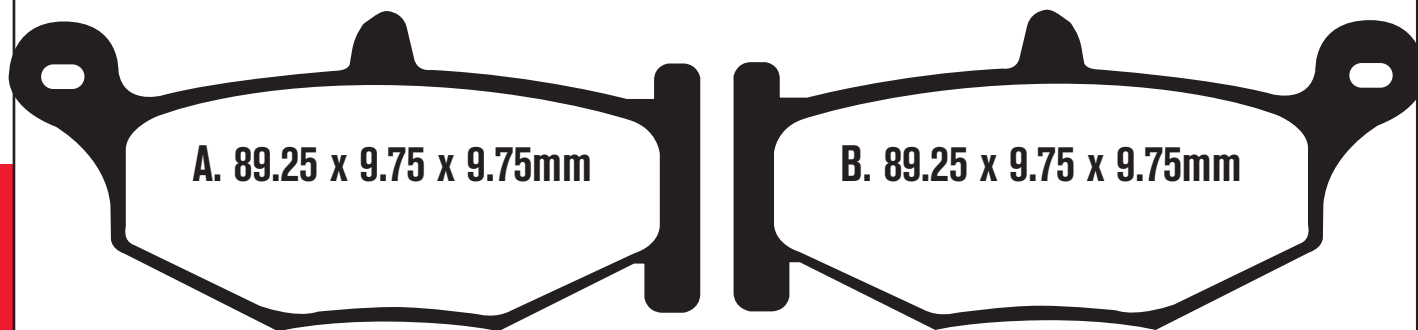
| |
|------------|
| 43082 0053 |
| 43082 0071 |
| 43082 0104 |

| | | |
|---------------|--------------------|--------------------|
| STD | FA417/4HH | Sintered HH - Road |
| OPTION | EPFA417/4HH | Sintered Road Race |

Dealer Stocking Recommendation

| | | |
|--------------------|---------------------|---------------------------|
| Single/Pair | Popularity # | Rec Stocking Level |
| 2 | - | 2 |

FA419



A. 89.25 x 9.75 x 9.75mm

B. 89.25 x 9.75 x 9.75mm

SUZUKI STREET

| | | |
|------------------------------|-------|---|
| GSXR 600 K6/K7/K8/K9 | 06-10 | R |
| GSXR 750 K6/K7/K8/K9 | 06-10 | R |
| GSXR 1000 K7/K8 | 07-08 | R |
| GSX 1300 RK8/RK9/RL1 | 08-11 | R |
| GSX 1300 BKAK8/K9 B-King ABS | 08-09 | R |
| GSX 1300 BKK8/K9 B-King | 08-09 | R |

Competitor X Ref

| SBS | Vesrah | Ferodo |
|-----|--------|--------|
| 833 | SD359 | - |

Equivalents OE#

| | |
|-------------|-------------|
| 69100 15820 | 69101 44820 |
| 69101 44810 | |

| | | |
|--------|---------|------------------------|
| STD | FA419 | Black - Touring - Road |
| OPTION | FA419HH | Sintered HH Road |

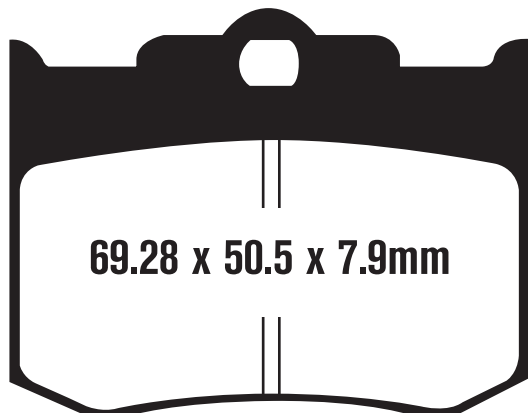
Dealer Stocking Recommendation

| Single/Pair | Popularity # | Rec Stocking Level |
|-------------|--------------|--------------------|
| 1 | - | 1 |

FA420

PERFORMANCE MACHINE

137 x 4 2006



69.28 x 50.5 x 7.9mm

Competitor X Ref

| SBS | Vesrah | Ferodo |
|-----|--------|--------|
| - | - | - |

Equivalents OE#

137X4

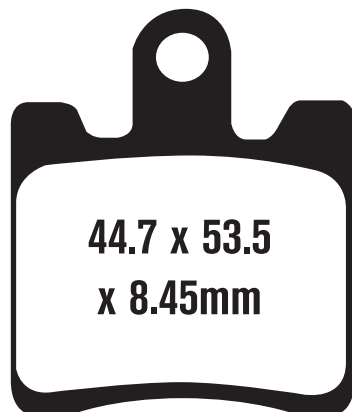
| | | |
|-----|---------|--------------------|
| STD | FA420HH | Sintered HH - Road |
|-----|---------|--------------------|

Dealer Stocking Recommendation

| Single/Pair | Popularity # | Rec Stocking Level |
|-------------|--------------|--------------------|
| 1 | - | 1 |

FA423/4

FJR 1300 AV//AEV/AW/AEW/AX/AEX/AZ/AA 06-11 F



**44.7 x 53.5
x 8.45mm**

Competitor X Ref

| SBS | Vesrah | Ferodo |
|-----|--------|--------|
| 740 | VD353 | - |

Equivalents OE#

3P6 W0045 00

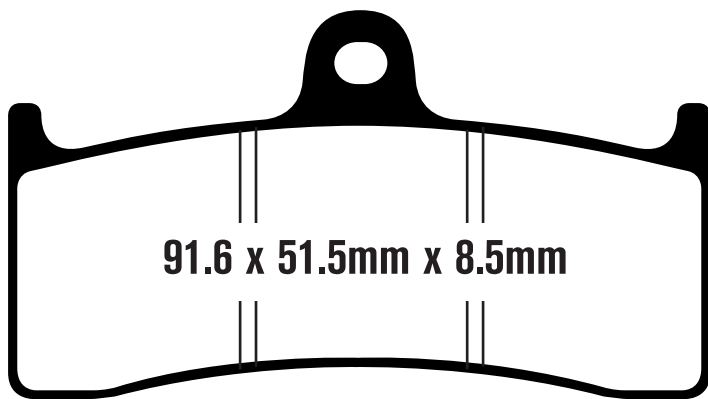
| | | |
|-----|-----------|--------------------|
| STD | FA423/4HH | Sintered HH - Road |
|-----|-----------|--------------------|

Dealer Stocking Recommendation

| Single/Pair | Popularity # | Rec Stocking Level |
|-------------|--------------|--------------------|
| 2 | - | 2 |

All part numbers, prefixes and suffixes shown in this catalog are unique and form a registered copyright as the property of EBC Brakes and its UK trademark owners

FA424



91.6 x 51.5mm x 8.5mm

Equivalents OE#

| | | |
|------------|------------|-----------|
| 8000 94024 | 43082 1181 | 03 487S-B |
| 8000 98710 | 42386 98Y | |

| | | |
|--------|-------------|------------------|
| STD | FA424 | Black Road |
| OPTION | FA424HH | Sintered HH Road |
| OPTION | EPFA424HHLC | Sintered HH Race |

Dealer Stocking Recommendation

| | | |
|--------------------|---------------------|---------------------------|
| <u>Single/Pair</u> | <u>Popularity #</u> | <u>Rec Stocking Level</u> |
| 2 | - | 2 |

KAWASAKI STREET
ZX-7RR (6 piston pad) Nissin Caliper
(ZX 750 N1/N2)

96-99 F

YAMAHA STREET
YZF 750 R7 OWO2 Race version

99-01 F

MV
F4 (All models)

99-05 F

BUELL
M2 Cyclone
S1 Lightning
S1 White Lightning
S3/S3T Thunderbolt
X1 Lightning

98-05 F
98-00 F
98-00 F
98-00 F
98-05 F

MV
F4 750 (All models) (Nissin Calipers)
Brutale 750 (All models) (Nissin Calipers)
Brutale 910 S (Nissin Calipers)
F4 1000 (All models) (Nissin Calipers)

99-03 F
03-05 F
05-07 F
04-06 F

AMERICAN IRON HORSE

Six piston caliper

03

JAYBRAKE AFTERMARKET CALIPER

J-Four (300-44)

Competitor X Ref

| | | |
|------------|---------------|---------------|
| <u>SBS</u> | <u>Vesrah</u> | <u>Ferodo</u> |
| - | - | - |

FA425



**55.5 x 54.5
x 8mm**

PIAGGIO
MP3 (250cc)

07-10 R

Equivalents OE#

| |
|--------|
| 647400 |
|--------|

Competitor X Ref

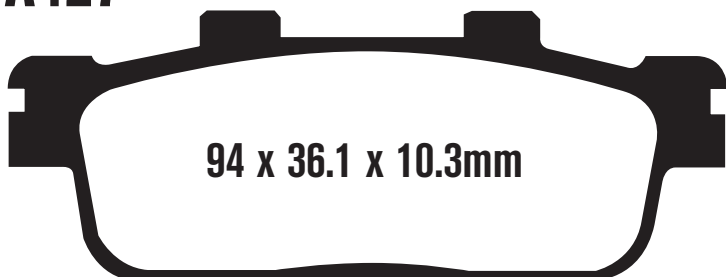
| | | |
|------------|---------------|---------------|
| <u>SBS</u> | <u>Vesrah</u> | <u>Ferodo</u> |
| - | - | - |

Dealer Stocking Recommendation

| | | |
|--------------------|---------------------|---------------------------|
| <u>Single/Pair</u> | <u>Popularity #</u> | <u>Rec Stocking Level</u> |
| 2 | - | 2 |

| | | |
|--------|---------|------------------|
| STD | FA425 | Black Road |
| OPTION | FA425HH | Sintered HH Road |

FA427



94 x 36.1 x 10.3mm

Equivalents OE#

| |
|--|
| |
|--|

SYM

RV 250 (LM 250 W)
Citycom 300i (LH 300W)

07-11 R
08-11 R

Competitor X Ref

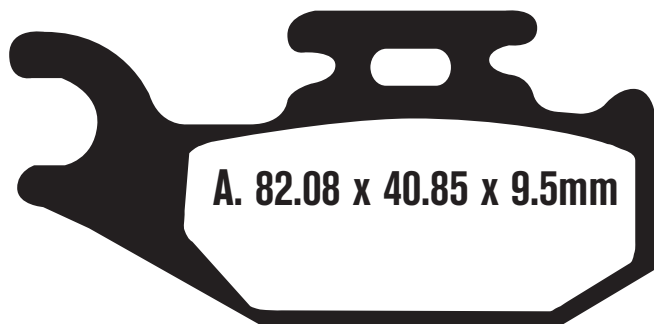
| | | |
|------------|---------------|---------------|
| <u>SBS</u> | <u>Vesrah</u> | <u>Ferodo</u> |
| - | - | - |

Dealer Stocking Recommendation

| | | |
|--------------------|---------------------|---------------------------|
| <u>Single/Pair</u> | <u>Popularity #</u> | <u>Rec Stocking Level</u> |
| 2 | - | 2 |

| | | |
|--------|---------|-------------------|
| STD | FA427 | Black Off Road |
| OPTION | FA427HH | Sintered HH Road |
| OPTION | FA427R | Sintered Off Road |

FA428



A. 82.08 x 40.85 x 9.5mm



B. 62.03 x 40.8 x 9.5mm

YAMAHA ATV

| | | |
|------------------------------|----------|---|
| YXR 450 Rhino (All models) | 06-09 | R |
| YXR 660 Rhino | 04-07 | R |
| YFM 700 RSEW/RSEPX/RSPY/RSE | 07-09/11 | R |
| YFM700 RV/RW/RX/RV/RA Raptor | 06-09/11 | R |

Equivalents OE#

| |
|--------------|
| 1S3 W0046 00 |
| 5UG W0046 00 |

Competitor X Ref

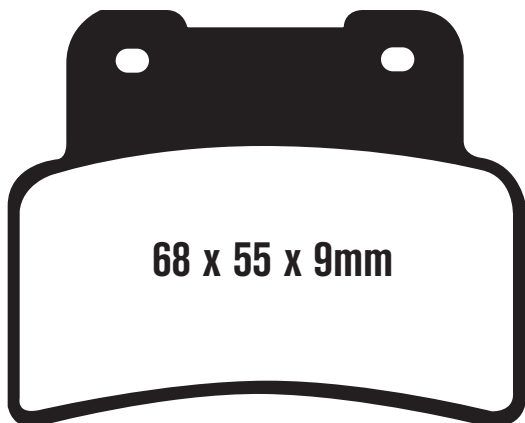
| | | |
|-------------------|--------------------|------------------------|
| SBS 816 | Vesrah - | Ferodo VD276 |
|-------------------|--------------------|------------------------|

| | | |
|---------------|----------------|--------------------------|
| STD | FA428X | Red Off Road |
| OPTION | FA428R | Sintered Off Road |
| OPTION | FA428SV | Sintered ATV Severe Duty |

Dealer Stocking Recommendation

| | | |
|-------------------------|--------------------------|--------------------------------|
| Single/Pair 2 | Popularity # - | Rec Stocking Level 2 |
|-------------------------|--------------------------|--------------------------------|

FA432



68 x 55 x 9mm

APRILIA

| | | |
|-----------------|-------|---|
| RS 125 | 06-11 | F |
| Dorsoduro 750 | 08-11 | F |
| Shiver 750 | 07-11 | F |
| Mana 850 | 08-11 | F |
| Mana 850 GT ABS | 09-11 | F |

Equivalents OE#

| |
|---------|
| 8133943 |
|---------|

Competitor X Ref

| | | |
|-------------------|--------------------|--------------------|
| SBS 844 | Vesrah - | Ferodo - |
|-------------------|--------------------|--------------------|

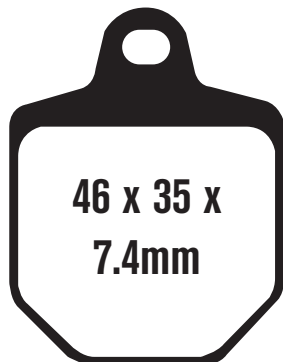
Dealer Stocking Recommendation

| | | |
|-------------------------|--------------------------|--------------------------------|
| Single/Pair 2 | Popularity # - | Rec Stocking Level 2 |
|-------------------------|--------------------------|--------------------------------|

| | | |
|---------------|----------------|------------------|
| STD | FA432 | Black Road |
| OPTION | FA432HH | Sintered HH Road |

FA433/4

4 pieces per set



46 x 35 x 7.4mm

KTM

| | | |
|---------|----|---|
| 450 SMR | 07 | F |
| 560 SMR | 07 | F |

HUSABERG DIRT

| | | |
|------------------|-------|---|
| FS 570 Supermoto | 10-11 | F |
|------------------|-------|---|

MAGURA

| | | |
|---------------|--|---|
| 4 pot caliper | | F |
|---------------|--|---|

Equivalents OE#

| |
|----------------|
| 0722189 |
| 072223 |
| 594 13 030 000 |

| | | |
|---------------|--------------------|------------------|
| STD | FA433/4 | Black |
| OPTION | FA433/4HH | Sintered HH Road |
| OPTION | EPFA433/4HH | Sintered HH Race |

Dealer Stocking Recommendation

| | | |
|-------------------------|--------------------------|--------------------------------|
| Single/Pair 2 | Popularity # - | Rec Stocking Level 2 |
|-------------------------|--------------------------|--------------------------------|

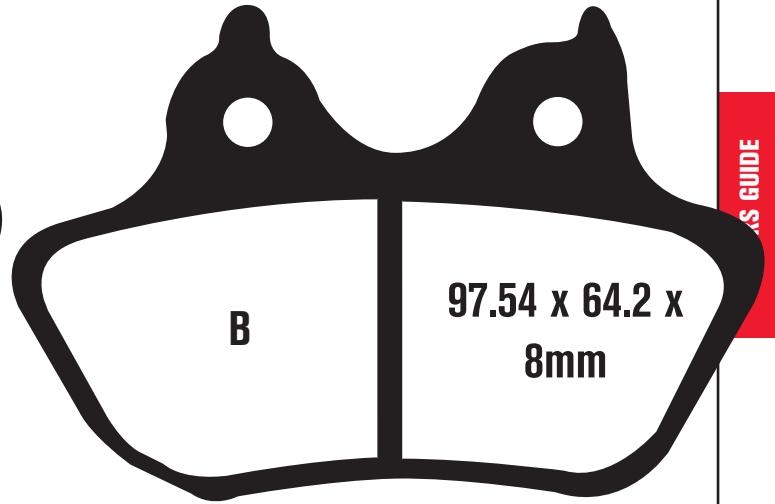
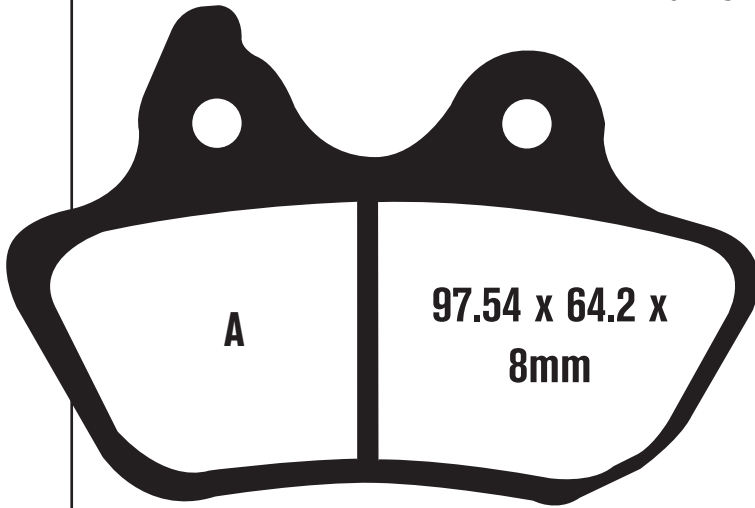
Competitor X Ref

| | | |
|-------------------|--------------------|--------------------|
| SBS 843 | Vesrah - | Ferodo - |
|-------------------|--------------------|--------------------|

All part numbers, prefixes and suffixes shown in this catalog are unique and form a registered copyright as the property of EBC Brakes and its UK trademark owners

FA434

NOTE: WILL NOT INTERCHANGE WITH FA299 OR FA400. CHECK OLD PAD SHAPE AGAINST DRAWING BELOW TO ENSURE CORRECT PAD SELECTED



AS GUIDE
BRAKE PADS

HARLEY DAVIDSON

- | | | |
|--|-------|---|
| FXST/FXSTI Softail Standard | 06-07 | R |
| FXSTB/FXSTBi Night Train Softail | 06-07 | R |
| FXSTSSE Screaming Eagle Springer Classic | 07 | R |
| FLSTSC/FLSTSCi Springer Softail Classic | 06-07 | R |
| FLSTC Heritage Softail Classic | 07 | R |
| FLSTF/FLSTFi Fat Boy | 07 | R |
| FXSTC Softail Custom | 07 | R |

Equivalents OE#

46721-06

Competitor X Ref

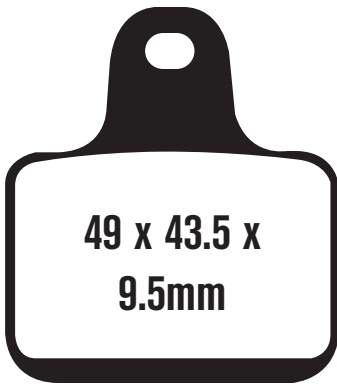
| SBS | Vesrah | Ferodo |
|-----|--------|--------|
| - | - | - |

| | | |
|---------------|----------------|------------------|
| STD | FA434 | Black Road |
| OPTION | FA434HH | Sintered HH Road |

Dealer Stocking Recommendation

| Single/Pair | Popularity # | Rec Stocking Level |
|-------------|--------------|--------------------|
| 2 | - | 2 |

FA435/4



BREMBO

Radial monoblock caliper x 99.04 F

MV

F4 100 CC (1078cc) 07-08 F

Equivalents OE#

07-7874 24
8000B1421

Competitor X Ref

| SBS | Vesrah | Ferodo |
|-----|--------|--------|
| - | - | - |

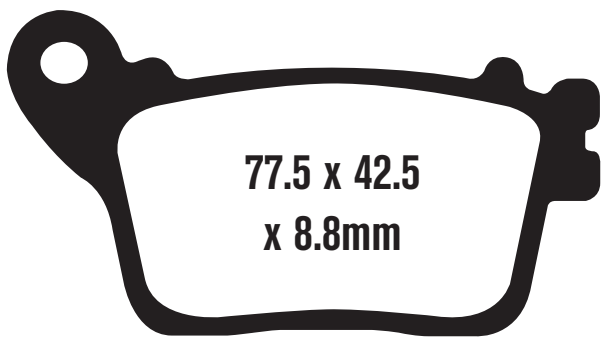
| | | |
|---------------|----------------------|------------------|
| STD | FA435/4HH | Sintered HH Race |
| OPTION | EPFA435/4HHLC | Sintered HH Road |

Dealer Stocking Recommendation

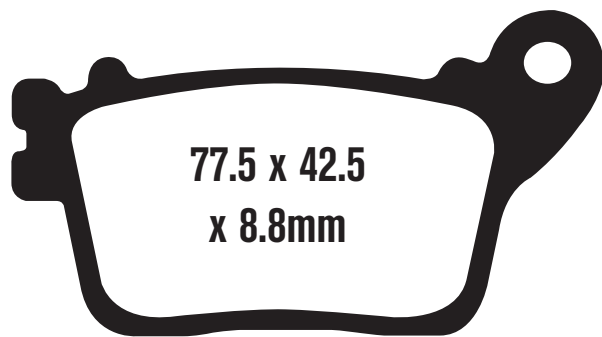
| Single/Pair | Popularity # | Rec Stocking Level |
|-------------|--------------|--------------------|
| 2 | - | 2 |

FA436

Note: refit any original shims fitted to original pads.



77.5 x 42.5
x 8.8mm



77.5 x 42.5
x 8.8mm

HONDA STREET

| | | |
|------------------------------|-------|---|
| CBR 600 RR/RRA | 07-11 | R |
| CBR 600 RA9/RAA (ABS Model) | 09-11 | R |
| CBR 1000 RR/RRA | 06-11 | R |
| CBR 1000 RA9/RAA (ABS Model) | 09-11 | R |

KAWASAKI STREET

| | | |
|--------------------------|----|---|
| ZX-10R (ZX 1000 JBF) | 11 | R |
| ZX-10R ABS (ZX 1000 KBF) | 11 | R |

SUZUKI STREET

| | | |
|-----------------|-------|---|
| GSXR 600 L1 | 11 | R |
| GSXR 750 L1 | 11 | R |
| GSXR 1000 K9/L1 | 09/11 | R |

Equivalents OE#

| |
|---------------|
| 06435 MEL D21 |
| 06435 MFG 201 |
| 69100 47820 |

Competitor X Ref

| | | |
|-------------------|------------------------|--------------------|
| SBS 834 | Vesrah SD359 | Ferodo - |
|-------------------|------------------------|--------------------|

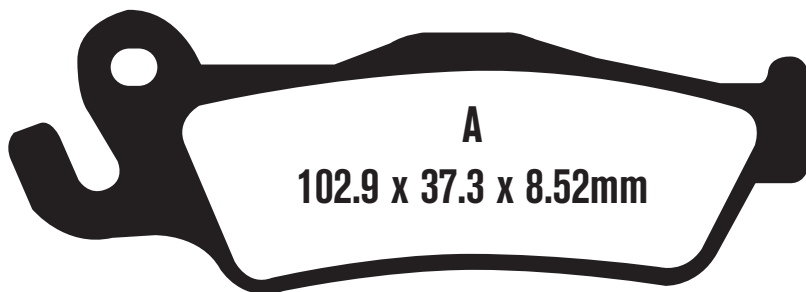
| | | |
|--------|---------|------------------|
| STD | FA436 | Black - Road |
| OPTION | FA436HH | Sintered HH Road |

Dealer Stocking Recommendation

| | | |
|-------------------------|--------------------------|--------------------------------|
| Single/Pair 2 | Popularity # - | Rec Stocking Level 2 |
|-------------------------|--------------------------|--------------------------------|

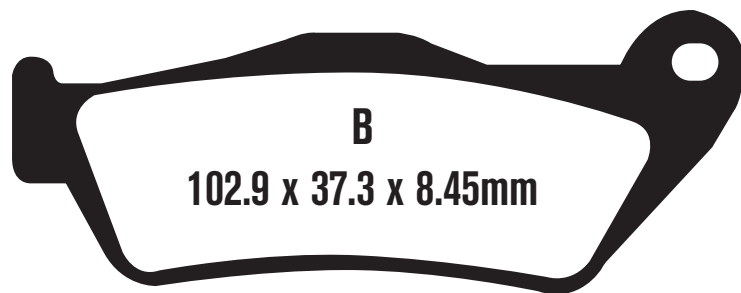
FA438

Equivalents OE# 34 21 7 690 262



A
102.9 x 37.3 x 8.52mm

**IF NEW WEAR LEAD REQUIRED
ORDER PART NO. MWL002
(NOT SUPPLIED WITH PADS)**



B
102.9 x 37.3 x 8.45mm

BMW
K 1200 GT (K44) 06-08 R

Competitor X Ref

| | | |
|-----------------|--------------------|--------------------|
| SBS - | Vesrah - | Ferodo - |
|-----------------|--------------------|--------------------|

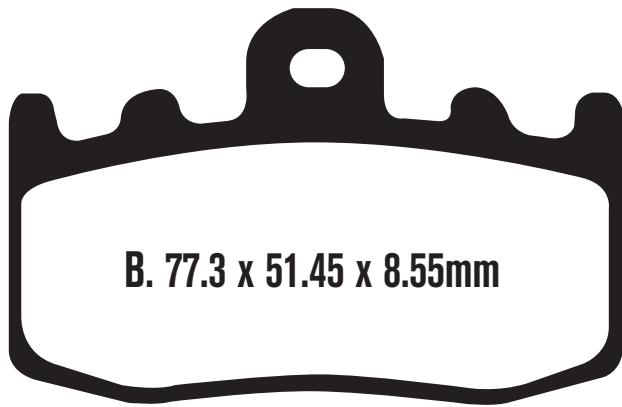
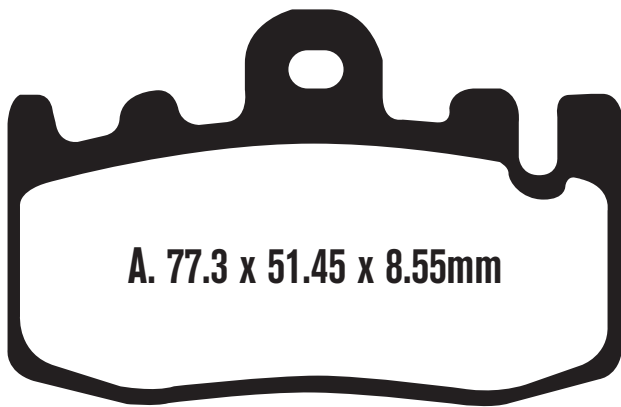
| | | |
|-----|---------|------------------|
| STD | FA438HH | Sintered HH Road |
|-----|---------|------------------|

Dealer Stocking Recommendation

| | | |
|-------------------------|--------------------------|--------------------------------|
| Single/Pair 2 | Popularity # - | Rec Stocking Level 2 |
|-------------------------|--------------------------|--------------------------------|

All part numbers, prefixes and suffixes shown in this catalog are unique and form a registered copyright as the property of EBC Brakes and its UK trademark owners

FA441



BMW
K 1200 GT (K44)

06-08 F Right

**IF NEW WEAR LEAD REQUIRED
ORDER PART NO. MWL001
(NOT SUPPLIED WITH PADS)**

Equivalents OE#

34 11 7 690 259

Competitor X Ref

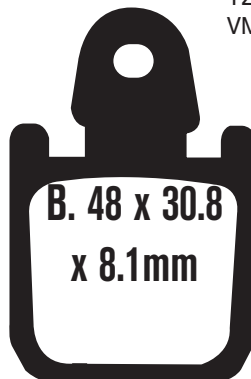
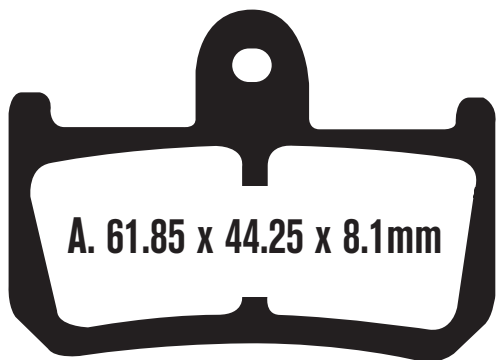
| SBS | Vesrah | Ferodo |
|-----|--------|--------|
| - | - | - |

Dealer Stocking Recommendation

| Single/Pair | Popularity # | Rec Stocking Level |
|-------------|--------------|--------------------|
| 2 | - | 2 |

STD FA441HH Sintered HH Road

FA442/4



YAMAHA STREET

YZF-R1 (6 piston caliper) 07-11 F

VMX 1700 V-Max (6 piston radial caliper) 09-11 F

Equivalents OE#

4C8 W0045 00

Competitor X Ref

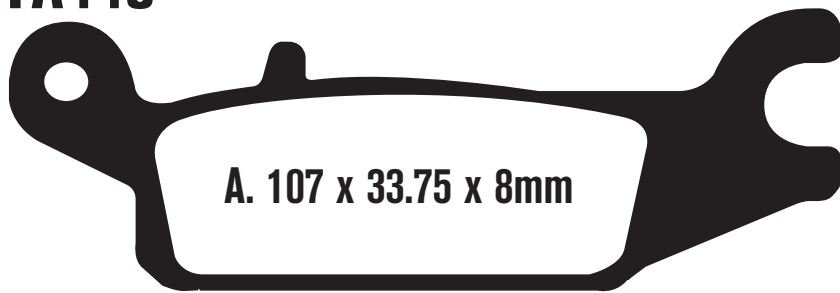
| SBS | Vesrah | Ferodo |
|-----|--------|--------|
| 839 | - | - |

Dealer Stocking Recommendation

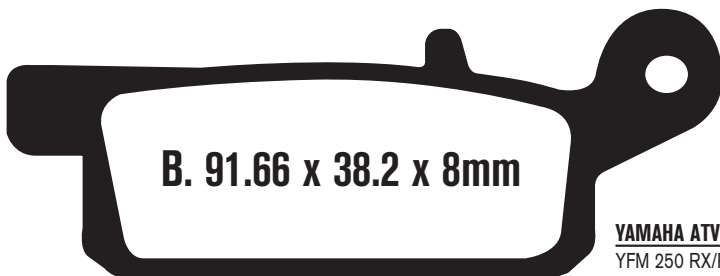
| Single/Pair | Popularity # | Rec Stocking Level |
|-------------|--------------|--------------------|
| 2 | - | 2 |

| | | |
|------------|----------------|---|
| STD | FA442/4 | Black Road - Supplied at 9.00mm thickness |
| OPTION | FA442/4HH | Sintered HH Road |
| OPTION | EPFA442/4HH | Sintered HH Race |

FA443



A. 107 x 33.75 x 8mm



B. 91.66 x 38.2 x 8mm

Equivalents OE#

| |
|--------------|
| 3B4 W0045 00 |
| 4D3 W0045 00 |

Competitor X Ref

| | | |
|------------|---------------|---------------|
| SBS | Vesrah | Ferodo |
| - | - | - |

YAMAHA ATV

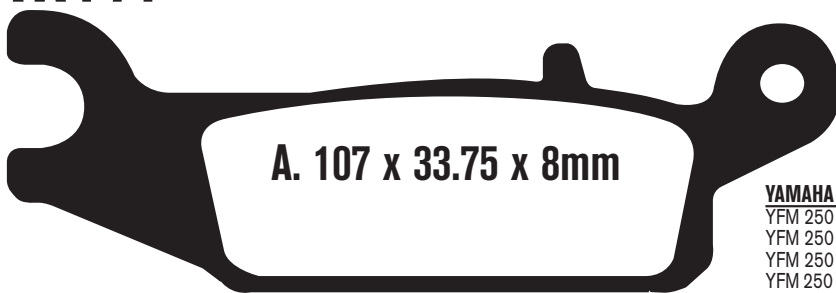
| | | |
|--|-------|------------|
| YFM 250 RX/RV/RZ Raptor | 08-10 | F Left |
| YFM 250 RSPX Special Edition | 08 | F Left |
| YFM 250 RSPXC Special Edition Custom | 08 | F Left |
| YFM 250 R (RSPA) | 11 | F Left |
| YFM 550 FGY/Z/A 4WD Grizzly Auto Fi | 09-11 | F Left |
| YFM 550 FGPY/Z/A EPS Grizzly Auto Fi | 09-11 | F Left & R |
| YFM 700 FGPW/FGPX/FGPY/FGPZ/FGPA Grizzly Fi Auto 4x4 | 07-11 | F Left |
| YFM 700 FGPDW/FGPDUX/FGPDUY Ducks Unlimited Edition | 07-09 | F |
| YFM 700 FGX/FGY/FGZ/FGA Grizzly | 08-11 | F Left |
| YFM 700 FGPSEY/Z/A Grizzly Fi Auto 4x4 EPS Special Edition | 09-11 | F Left |

| | | |
|---------------|----------------|--------------------------|
| STD | FA443X | Off Road - ATV |
| OPTION | FA443SV | Sintered ATV Severe Duty |
| OPTION | FA443R | Sintered ATV Off Road |

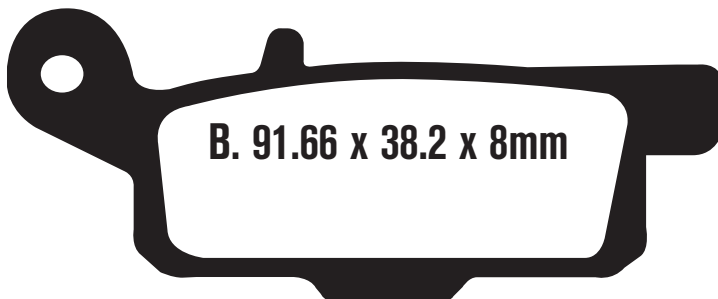
Dealer Stocking Recommendation

| | | |
|--------------------|---------------------|---------------------------|
| Single/Pair | Popularity # | Rec Stocking Level |
| 2 | - | 2 |

FA444



A. 107 x 33.75 x 8mm



B. 91.66 x 38.2 x 8mm

YAMAHA ATV

| | | |
|--|-------|---------|
| YFM 250 RX/RV/RZ Raptor | 08-10 | F Right |
| YFM 250 RSPX Special Edition | 08 | F Right |
| YFM 250 RSPXC Special Edition Custom | 08 | F Right |
| YFM 250 R (RSPA) | 11 | F Right |
| YFM 550 FGY/Z/A 4WD Grizzly Auto Fi | 09-11 | F Right |
| YFM 550 FGPY/Z/A EPS Grizzly Auto Fi | 09-11 | F Right |
| YFM 700 FGPW/FGPX/FGPY/FGPZ/FGPA Grizzly Fi Auto 4x4 | 07-11 | F Right |
| YFM 700 FGX/FGY/FGZ/FGA Grizzly | 08-11 | F Right |
| YFM 700 FGPDW/FGPDUX/FGPDUY Ducks Unlimited Edition | 07-09 | F Right |
| YFM 700 FGPSEY/Z/A Grizzly Fi Auto 4x4 EPS Special Edition | 09-11 | F Right |

Equivalents OE#

| |
|--------------|
| 3B4 W0045 10 |
| 4D3 W0045 10 |

Competitor X Ref

| | | |
|------------|---------------|---------------|
| SBS | Vesrah | Ferodo |
| - | - | - |

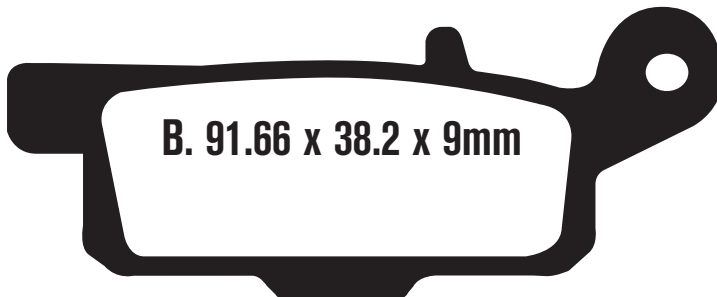
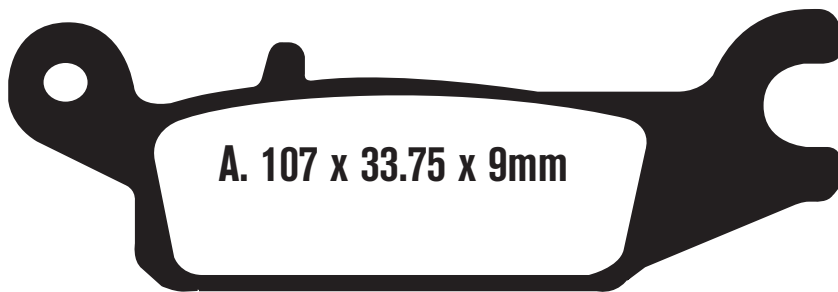
| | | |
|---------------|----------------|--------------------------|
| STD | FA444X | Off Road - ATV |
| OPTION | FA444SV | Sintered ATV Severe Duty |
| OPTION | FA444R | Sintered ATV Off Road |

Dealer Stocking Recommendation

| | | |
|--------------------|---------------------|---------------------------|
| Single/Pair | Popularity # | Rec Stocking Level |
| 2 | - | 2 |

All part numbers, prefixes and suffixes shown in this catalog are unique and form a registered copyright as the property of EBC Brakes and its UK trademark owners

FA445



YAMAHA ATV

| | | |
|---|-------|--------|
| YFM 550 FGPY/Z/A EPS Grizzly Auto Fi | 09-11 | R Left |
| YFM 550 FGY/Z/A | 09-11 | R Left |
| YFM 700 FGPW/FGPX/FGPY/FGPZ/FGPA Grizzly Fi Auto 4x4 | 07-11 | R Left |
| YFM 700 FGPDUW/FGPDUX/FGPDUY Ducks Unlimited Edition | 07-09 | R Left |
| YFM 700 FGX/FGY/FGZ/FGA Grizzly | 08-11 | R Left |
| YFM 700 FGPSEY/Z/A Grizzly Fi Auto 4x4 EPS Special Edition | 09-11 | R Left |

Equivalents OE#

3B4 W0046 00

**Competitor X
Ref**

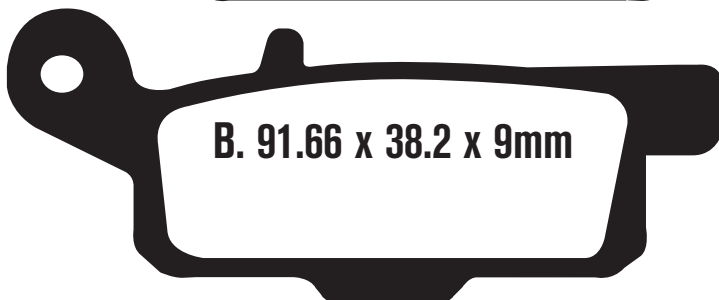
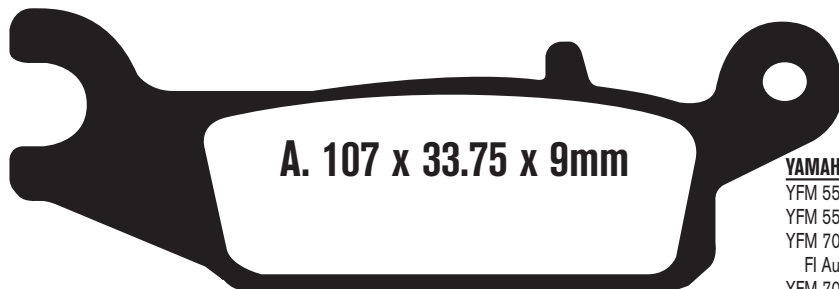
| SBS | Vesrah | Ferodo |
|-----|--------|--------|
| - | - | - |

| | | |
|---------------|----------------|--------------------------|
| STD | FA445X | Off Road - ATV |
| OPTION | FA445SV | Sintered ATV Severe Duty |
| OPTION | FA445R | Sintered ATV Off Road |

**Dealer Stocking
Recommendation**

| Single/Pair | Popularity # | Rec Stocking Level |
|-------------|--------------|--------------------|
| 2 | - | 2 |

FA446



YAMAHA ATV

| | | |
|---|-------|---------|
| YFM 550 FGPY/Z/A EPS Grizzly Auto Fi | 09-11 | R Right |
| YFM 550 FGY/Z/A | 09-11 | R Right |
| YFM 700 FGPW/FGPX/FGPY/FGPZ/FGPA Grizzly Fi Auto 4x4 | 07-11 | R Right |
| YFM 700 FGPDUW/FGPDUX/FGPDUY Ducks Unlimited Edition | 07-09 | R Right |
| YFM 700 FGX/FGY/FGZ/fga Grizzly | 08-11 | R Right |
| YFM 700 FGPSEY/Z/a Grizzly Fi Auto 4x4 EPS Special Edition | 09-11 | R Right |

Equivalents OE#

3B4 W0046 10

**Competitor X
Ref**

| SBS | Vesrah | Ferodo |
|-----|--------|--------|
| - | - | - |

| | | |
|---------------|----------------|--------------------------|
| STD | FA446X | Off Road - ATV |
| OPTION | FA446SV | Sintered ATV Severe Duty |
| OPTION | FA446R | Sintered ATV Off Road |

**Dealer Stocking
Recommendation**

| Single/Pair | Popularity # | Rec Stocking Level |
|-------------|--------------|--------------------|
| 2 | - | 2 |

FA447

102.25 x 42.25 x
7.5mm

102.25 x 42.25 x
7.5mm

| | | | |
|-----------------------------------|-------|---|--|
| APRILIA | | | |
| RSV4 R/RSV4 Factory | 09-11 | F | |
| BMW | | | |
| HP2 Sport | 08-11 | F | |
| DUCATI | | | |
| 848 Evo (Monobloc front calipers) | 10-11 | F | |
| Hypermotard 1100 S | 07-09 | F | |
| Hypermotard 1100 Evo | 10-11 | F | |
| Hypermotard 1100 Evo SP | 10-11 | F | |
| Desmosedici RR (989cc) (D16RR) | 08 | F | |
| 1098 | 07-08 | F | |
| 1098 S Tricolore | 07 | F | |
| 1098 S | 07-08 | F | |
| 1098 R | 08-09 | F | |
| Streetfighter (1099cc) | 09-11 | F | |
| Streetfighter S (1099cc) | 09-11 | F | |
| 1198 | 09-11 | F | |
| 1198 S | 09-10 | F | |
| 1198 SP | 11 | F | |
| 1198 R Corse Special Edition | 11 | F | |
| Diavel | 11 | F | |
| KTM | | | |
| 990 SM-R | 09-11 | F | |
| 1190 R RC8 R | 09-11 | F | |
| 1190 RC8 | 08-11 | F | |
| MV (AUGUSTA) | | | |
| Brutale 1078 RR | 08-09 | F | |
| Brutale 1090 RR | 10 | F | |
| F4 RR 312 1078 | 08-09 | F | |
| F4 (998cc) | 10 | F | |
| SUZUKI STREET | | | |
| GSXR 600 L1 | 11 | F | |
| GSXR 750 L1 | 11 | F | |
| TRIUMPH STREET | | | |
| 675 R (Brembo calipers) | 11 | F | |

Equivalents OE#

| |
|----------------|
| 613407914 |
| 07 9882 10 |
| 690 13 030 000 |
| 34 11 771 0743 |

**Competitor X
Ref**

| | | |
|------------|---------------|---------------|
| SBS | Vesrah | Ferodo |
| 841 | - | - |

**Dealer Stocking
Recommendation**

| | | |
|--------------------|---------------------|---------------------------|
| Single/Pair | Popularity # | Rec Stocking Level |
| 2 | - | 2 |

| | | |
|---------------|------------------|------------------|
| STD | FA447HH | Sintered HH Road |
| OPTION | EPFA447HH | Sintered HH Race |

FA450

| | | | |
|-------------------------|-------|---|--|
| YAMAHA (DIRT) | | | |
| YZ 125 X/Y/Z/A (2T) | 08-11 | F | |
| YZ 250 X/Y/Z/A (2T) | 08-11 | F | |
| YZ 250 FW/FX/FY/FZ (4T) | 07-11 | F | |
| YZ 450 FX/FY/FZ (4T) | 08-11 | F | |

94.2 x 31.8 x 7.2mm

94.2 x 31.8 x 7.2mm

Equivalents OE#

5XC W0045 00

**Competitor X
Ref**

| | | |
|------------|---------------|---------------|
| SBS | Vesrah | Ferodo |
| 840 | - | - |

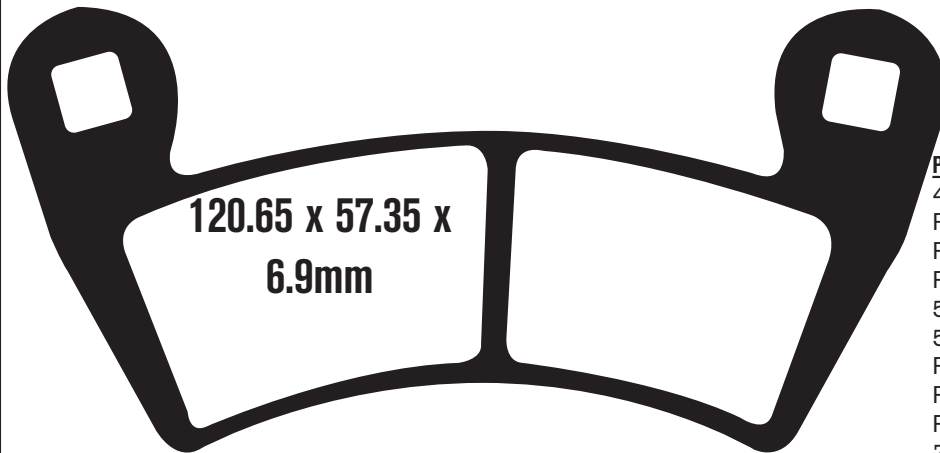
| | | |
|---------------|---------------|------------------------|
| STD | FA450X | Off Road - ATV |
| OPTION | FA450R | Sintered ATV Off Road |
| OPTION | MXS450 | Sintered Off Road Race |

**Dealer Stocking
Recommendation**

| | | |
|--------------------|---------------------|---------------------------|
| Single/Pair | Popularity # | Rec Stocking Level |
| 2 | - | 2 |

All part numbers, prefixes and suffixes shown in this catalog are unique and form a registered copyright as the property of EBC Brakes and its UK trademark owners

FA452



120.65 x 57.35 x
6.9mm

POLARIS

| | | |
|---------------------------|-------|-----|
| 400 Ranger | 10 | F |
| Ranger EV (Electric) | 10 | F |
| Ranger 500 4x4 EFI | 08 | F |
| Ranger 500 2x4 | 08 | F |
| 500 Ranger (Carb) 2x4 | 09 | F |
| 500 Ranger (EFI) 4x4 H.O. | 09-10 | F |
| Ranger 500 Crew | 11 | F |
| Ranger 700 6x4 EFI | 08 | F |
| Ranger XP 700 4x4 | 08 | F |
| 700 Ranger 4x4 EFI | 09 | F |
| 700 Ranger Crew (EFI) 4x4 | 09 | F&R |
| Ranger Crew 800 (RGR 4x4) | 10-11 | F |
| 800 Ranger 6x6 | 10-11 | F&R |
| 800 Ranger XP | 10-11 | F |
| 800 Ranger HD | 10-11 | F |
| 800 Ranger RZR-4 | 11 | F |
| Ranger EV (Electric) | 10-11 | F |
| Ranger 4x4 900 D (Diesel) | 11 | F |

Competitor X
Ref

| | | |
|------------|---------------|---------------|
| <u>SBS</u> | <u>Vesrah</u> | <u>Ferodo</u> |
| - | - | - |

Equivalents OE#

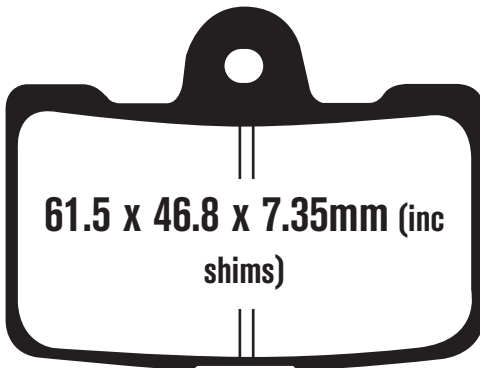
2203747

Dealer Stocking
Recommendation

| | | |
|--------------------|---------------------|---------------------------|
| <u>Single/Pair</u> | <u>Popularity #</u> | <u>Rec Stocking Level</u> |
| 2 | - | 2 |

STD FA452R Sintered ATV Off Road

FA454/4



61.5 x 46.8 x 7.35mm (inc
shims)

8 piston caliper

BUELL

| | | |
|---------------------|-------|---|
| 1125 R | 08-10 | F |
| 1125 CR | 09-10 | F |
| XB 12 SCG Lightning | 09-10 | F |
| XB 12 R Firebolt | 09-10 | F |
| XB 12 SS Lightning | 09-10 | F |

Equivalents OE#

H0300-1AMA

Competitor X
Ref

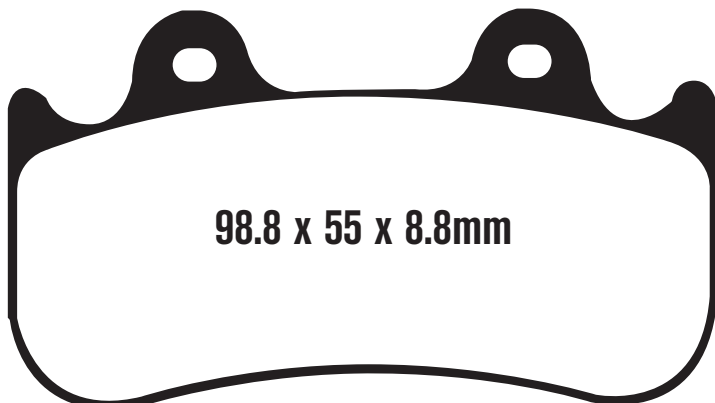
| | | |
|------------|---------------|---------------|
| <u>SBS</u> | <u>Vesrah</u> | <u>Ferodo</u> |
| - | - | - |

Dealer Stocking
Recommendation

| | | |
|--------------------|---------------------|---------------------------|
| <u>Single/Pair</u> | <u>Popularity #</u> | <u>Rec Stocking Level</u> |
| 2 | - | 2 |

STD FA454/4HH Sintered HH Road
OPTION EPFA454/4HH Sintered HH Race

FA455



JAYBRAKE
6 PF-L (6 piston)

Equivalents OE#

Competitor X Ref

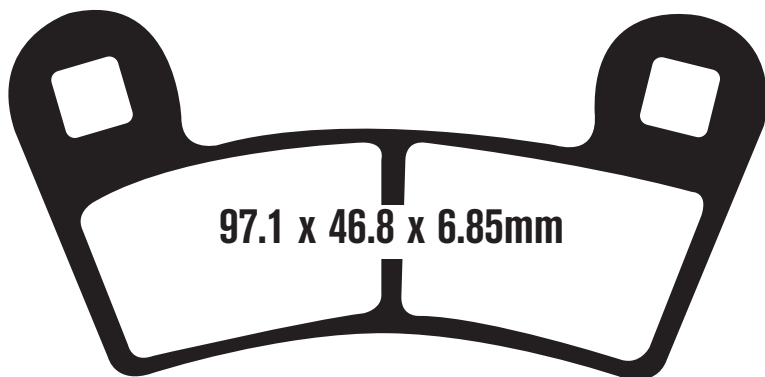
| <u>SBS</u> | <u>Vesrah</u> | <u>Ferodo</u> |
|------------|---------------|---------------|
| - | - | - |

STD FA455HH Sintered HH Road

Dealer Stocking Recommendation

| <u>Single/Pair</u> | <u>Popularity #</u> | <u>Rec Stocking Level</u> |
|--------------------|---------------------|---------------------------|
| 2 | - | 2 |

FA456



POLARIS

| | | |
|----------------------|-------|---|
| 450 S Outlaw | 08 | F |
| Outlaw 450 MXR | 09-10 | F |
| 525 S Outlaw | 08-10 | F |
| 525 Outlaw IRS | 08-10 | F |
| 800 Ranger RZR | 08-11 | F |
| 800 Ranger RZR S EFI | 09-11 | F |

Equivalents OE#

| |
|---------|
| 2203318 |
| 2203930 |
| 1911197 |

Competitor X Ref

| <u>SBS</u> | <u>Vesrah</u> | <u>Ferodo</u> |
|------------|---------------|---------------|
| - | - | - |

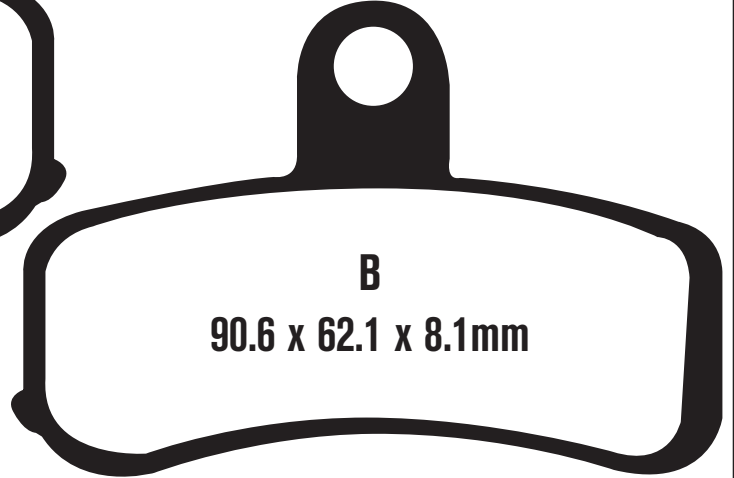
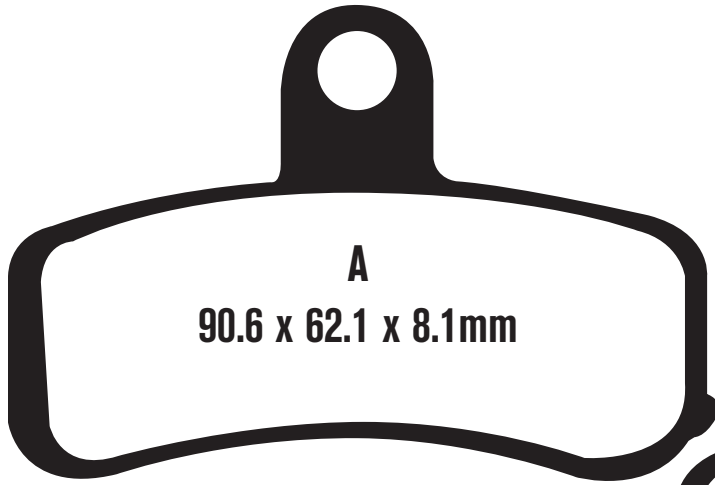
STD FA456R Sintered ATV Off Road

Dealer Stocking Recommendation

| <u>Single/Pair</u> | <u>Popularity #</u> | <u>Rec Stocking Level</u> |
|--------------------|---------------------|---------------------------|
| 2 | - | 2 |

FA457

NOTE: Do not refit any original insulator shims from old original pads



HARLEY DAVIDSON

| | | |
|--------------------------------------|-------|---|
| FXD Super Glide | 08-10 | F |
| FXDC Super Glide Custom | 08-11 | F |
| FXDB Street Bob | 08-11 | F |
| FDXL Low Rider | 08-10 | F |
| FXDF Fat Bob | 08-11 | F |
| FXDWG Wide Glide | 08 | F |
| FXSTB Night Train | 08-09 | F |
| FXSTC Softail Custom | 08-10 | F |
| FLSTF Fat Boy | 08-11 | F |
| FLSTN Softail Deluxe | 08-11 | F |
| FLSTC Heritage Softail Classic | 08-11 | F |
| FXCW Rocker | 08-09 | F |
| FXCWC Rocker C | 08-11 | F |
| FXDWG Dyna Wide Glide (Spoke wheels) | 10-11 | F |
| FLSTFB Fat Boy Special/L0 | 10-11 | F |

Competitor X Ref

| | | |
|-------------------|--------------------|--------------------|
| SBS 853 | Vesrah - | Ferodo - |
|-------------------|--------------------|--------------------|

Equivalents OE#

| |
|----------|
| 44082-08 |
| 46363-11 |

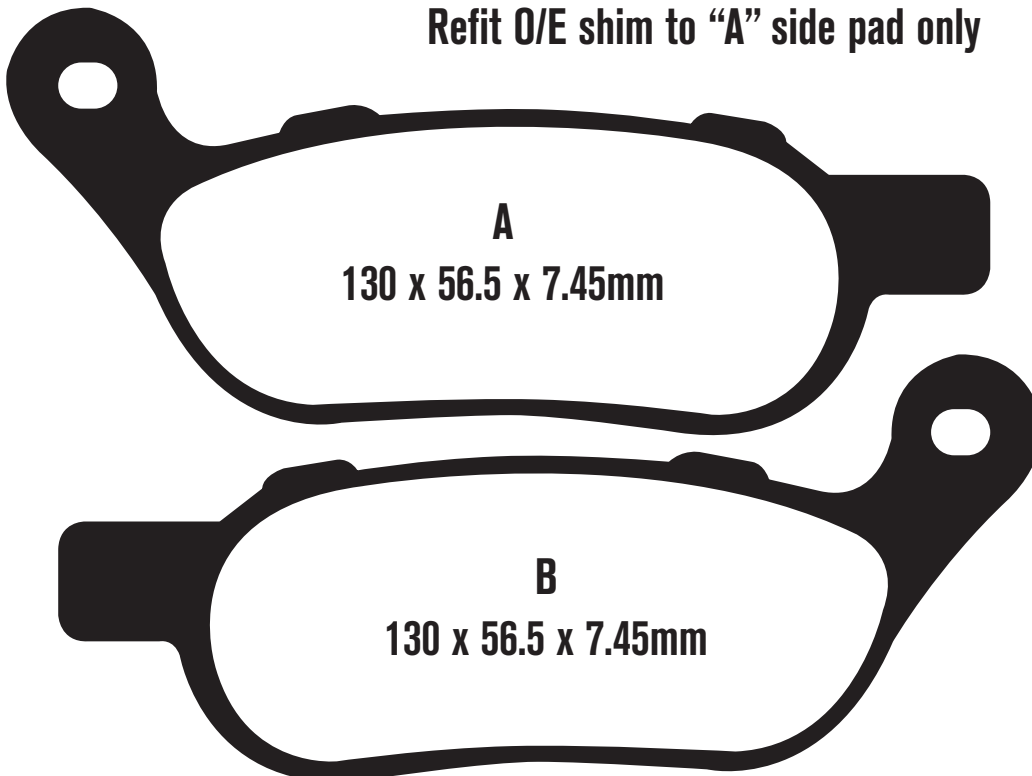
| | | |
|----------------|------------------|------------------|
| STD | FA457HH | Sintered HH Road |
| OPTIONS | EPFA457HH | Sintered HH Race |

Dealer Stocking Recommendation

| | | |
|--------------------|---------------------|---------------------------|
| Single/Pair | Popularity # | Rec Stocking Level |
| 2 | - | 2 |

FA458

Refit O/E shim to "A" side pad only



A
130 x 56.5 x 7.45mm

B
130 x 56.5 x 7.45mm

HARLEY DAVIDSON

| | | |
|--------------------------------------|-------|---|
| FXD Super Glide | 08-10 | R |
| FXDC Super Glide Custom | 08-11 | R |
| FXDB Street Bob | 08-11 | R |
| FDXL Low Rider | 08-09 | R |
| FXDF Fat Bob | 08-11 | R |
| FXDWG Wide Glide | 08 | R |
| FXSTB Night Train | 08-09 | R |
| FXSTC Softail Custom | 08-10 | R |
| FLSTF Fat Boy | 08-11 | R |
| FLSTN Softail Deluxe | 08-11 | R |
| FLSTC Heritage Softail Classic | 08-11 | R |
| FXCW Rocker | 08-09 | R |
| FXCWC Rocker C | 08-11 | R |
| FXDWG Dyna Wide Glide (Spoke wheels) | 10-11 | R |
| FLSTFB Fat Boy Special/L0 | 10-11 | R |
| FLSTSB Softail Cross Bones | 08-11 | R |

Equivalents OE#

42298-08

Competitor X Ref

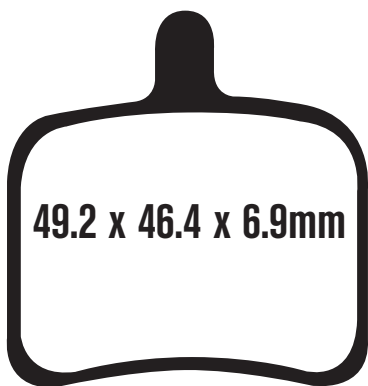
| | | |
|-------------------|--------------------|--------------------|
| SBS 854 | Vesrah - | Ferodo - |
|-------------------|--------------------|--------------------|

| | | |
|----------------|------------------|------------------|
| STD | FA458HH | Sintered HH Road |
| OPTIONS | EPFA458HH | Sintered HH Race |

Dealer Stocking Recommendation

| | | |
|-------------------------|--------------------------|--------------------------------|
| <u>Single/Pair</u> 2 | <u>Popularity #</u> - | <u>Rec Stocking Level</u> 2 |
|-------------------------|--------------------------|--------------------------------|

FA460



49.2 x 46.4 x 6.9mm

BUELL

| | | |
|---------|-------|---|
| 1125 R | 08-10 | R |
| 1125 CR | 09-10 | R |

Equivalents OE#

H0301-1AM

Competitor X Ref

| | | |
|-----------------|--------------------|--------------------|
| SBS - | Vesrah - | Ferodo - |
|-----------------|--------------------|--------------------|

| | | |
|------------|----------------|------------------|
| STD | FA460HH | Sintered HH Road |
|------------|----------------|------------------|

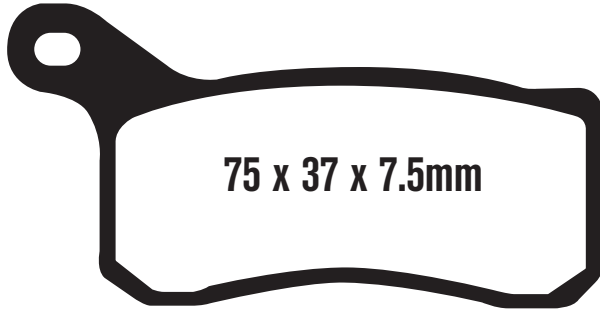
Dealer Stocking Recommendation

| | | |
|-------------------------|--------------------------|--------------------------------|
| <u>Single/Pair</u> 2 | <u>Popularity #</u> - | <u>Rec Stocking Level</u> 2 |
|-------------------------|--------------------------|--------------------------------|

All part numbers, prefixes and suffixes shown in this catalog are unique and form a registered copyright as the property of EBC Brakes and its UK trademark owners

FA461/4HH - USE FA379HH

FA462



KTM (ATV)

SX 450
XC 450
SX 505
XC 525

09-11 F
08-11 F
09-11 F
08-11 F



Equivalents OE#

830 13 030 100

Competitor X Ref

| SBS | Vesrah | Ferodo |
|-----|--------|--------|
| - | - | - |

STD FA462R Sintered Off Road

Dealer Stocking Recommendation

| Single/Pair | Popularity # | Rec Stocking Level |
|-------------|--------------|--------------------|
| 2 | - | 2 |

FA463



KTM (ATV)

SX 450
XC 450
SX 505
XC 525

09-11 R
08-11 R
09-11 R
08-11 R

Equivalents OE#

830 13 090 100

Competitor X Ref

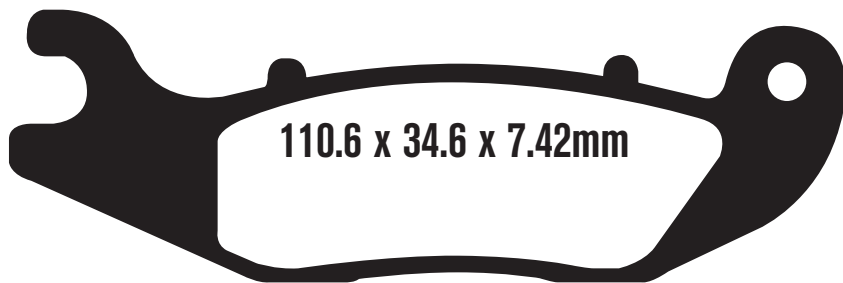
| SBS | Vesrah | Ferodo |
|-----|--------|--------|
| - | - | - |

STD FA463R Sintered Off Road - ATV

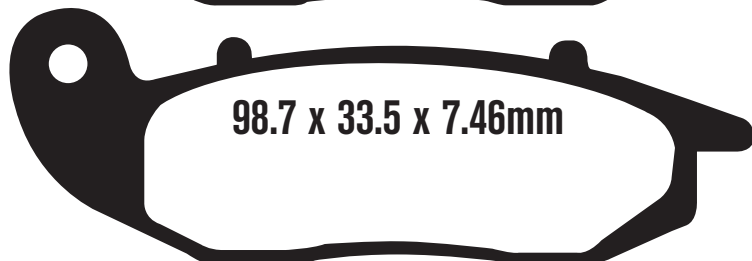
Dealer Stocking Recommendation

| Single/Pair | Popularity # | Rec Stocking Level |
|-------------|--------------|--------------------|
| 2 | - | 2 |

FA465



110.6 x 34.6 x 7.42mm



98.7 x 33.5 x 7.46mm

Equivalents OE#

| |
|------------------|
| 864342 |
| SD11 40102 00 00 |

SCORPA

T-Ride 125 (4T)
T-Ride 250 F

11 F
09-11 F

Competitor X Ref

| <u>SBS</u> | <u>Vesrah</u> | <u>Ferodo</u> |
|------------|---------------|---------------|
| - | - | - |

Dealer Stocking Recommendation

| <u>Single/Pair</u> | <u>Popularity #</u> | <u>Rec Stocking Level</u> |
|--------------------|---------------------|---------------------------|
| 2 | - | 2 |

STD FA465X Red - Off Road

FA468R



67.2 x 52 x 7.6mm

Equivalents OE#

| |
|------------|
| 705600402 |
| Z 150 9260 |

CAN-AM

DS 450 (2x4/EFI)
DS 450 X (2x4/EFI)

08-11 F
08-11 F

Competitor X Ref

| <u>SBS</u> | <u>Vesrah</u> | <u>Ferodo</u> |
|------------|---------------|---------------|
| - | - | - |

Dealer Stocking Recommendation

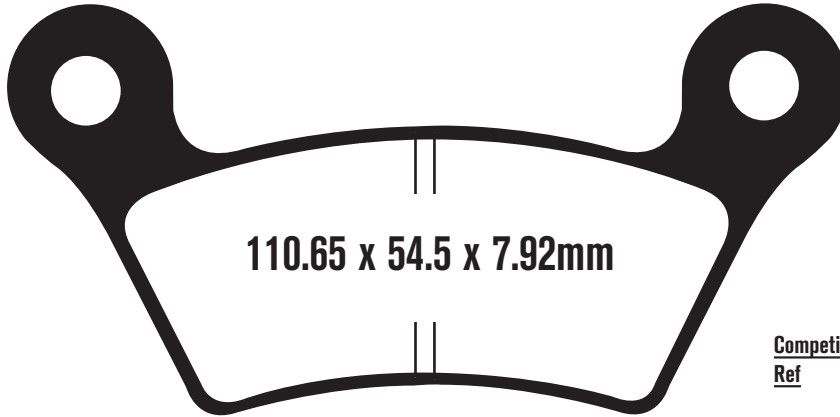
| <u>Single/Pair</u> | <u>Popularity #</u> | <u>Rec Stocking Level</u> |
|--------------------|---------------------|---------------------------|
| 2 | - | 2 |

STD FA468R Sintered - Off Road

FA473

CAN-AM
Spyder (3 wheeler)

08-11 R



110.65 x 54.5 x 7.92mm

Equivalents OE#

| |
|-----------|
| 219800031 |
| 219800015 |

Competitor X Ref

| | | |
|------------|---------------|---------------|
| <u>SBS</u> | <u>Vesrah</u> | <u>Ferodo</u> |
| - | - | - |

Dealer Stocking Recommendation

| | | |
|--------------------|---------------------|---------------------------|
| <u>Single/Pair</u> | <u>Popularity #</u> | <u>Rec Stocking Level</u> |
| 2 | - | 2 |

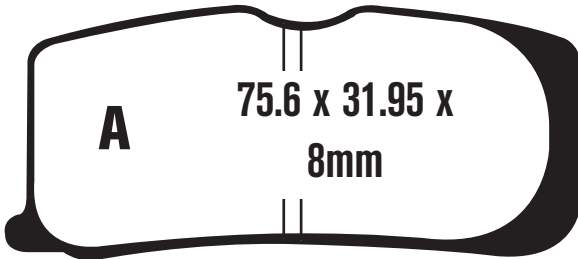
STD FA473 Black - Road

BUYERS GUIDE
BRAKE PADS

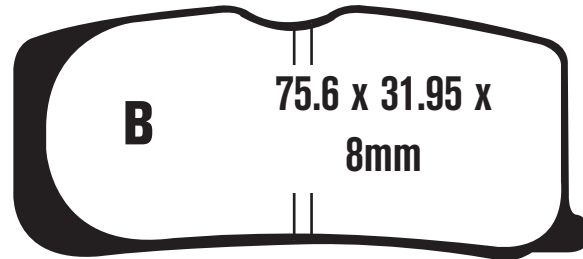
FA474

CAN-AM
Spyder (3 wheeler)

08-11 F



A
75.6 x 31.95 x
8mm



B
75.6 x 31.95 x
8mm

Equivalents OE#

| |
|-----------|
| 219800038 |
| 219800164 |

Competitor X Ref

| | | |
|------------|---------------|---------------|
| <u>SBS</u> | <u>Vesrah</u> | <u>Ferodo</u> |
| - | - | - |

Dealer Stocking Recommendation

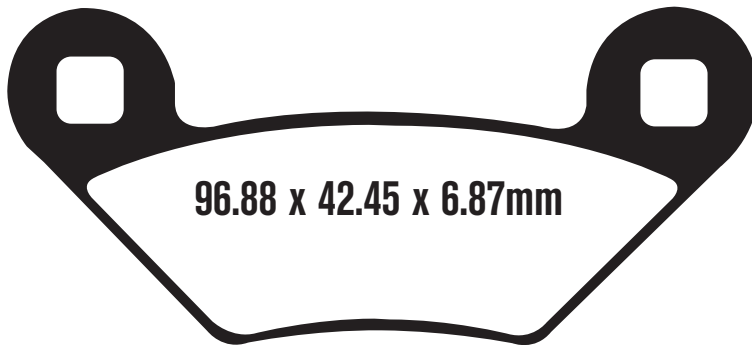
| | | |
|--------------------|---------------------|---------------------------|
| <u>Single/Pair</u> | <u>Popularity #</u> | <u>Rec Stocking Level</u> |
| 2 | - | 2 |

STD FA474 Black - Road

FA475

POLARIS

| | | |
|----------------------|-------|-----|
| 500 XP Sportsman | 09 | F&R |
| 550 Sportsman XP EPS | 09-10 | F&R |
| 550 XP Sportsman EPS | 09-10 | F&R |
| 550 Sporsman X2 | 10 | F&R |
| 850 XP Sportsman | 09-10 | F&R |
| 850 XP ES Sportsman | 09-10 | F&R |



96.88 x 42.45 x 6.87mm

Equivalents OE#

| |
|---------|
| 2203628 |
|---------|

Competitor X Ref

| | | |
|------------|---------------|---------------|
| <u>SBS</u> | <u>Vesrah</u> | <u>Ferodo</u> |
| - | - | - |

Dealer Stocking Recommendation

| | | |
|--------------------|---------------------|---------------------------|
| <u>Single/Pair</u> | <u>Popularity #</u> | <u>Rec Stocking Level</u> |
| 2 | - | 2 |

STD FA475X Red - Off Road
OPTION FA475R Sintered - Off Road

FA476X



HONDA SIDE X SIDE
MUV 700 Big Red

09-11 F Left



Equivalents OE#

06451 HL1 A01

Competitor X Ref

| <u>SBS</u> | <u>Vesrah</u> | <u>Ferodo</u> |
|------------|---------------|---------------|
| - | - | - |

Dealer Stocking Recommendation

| <u>Single/Pair</u> | <u>Popularity #</u> | <u>Rec Stocking Level</u> |
|--------------------|---------------------|---------------------------|
| 2 | - | 2 |

STD FA476X Red - Off Road

FA477X



HONDA SIDE X SIDE
MUV 700 Big Red

09-11 F Right



Equivalents OE#

06452 HL1 A01

Competitor X Ref

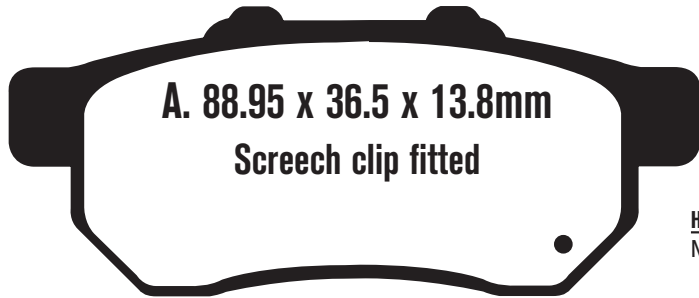
| <u>SBS</u> | <u>Vesrah</u> | <u>Ferodo</u> |
|------------|---------------|---------------|
| - | - | - |

Dealer Stocking Recommendation

| <u>Single/Pair</u> | <u>Popularity #</u> | <u>Rec Stocking Level</u> |
|--------------------|---------------------|---------------------------|
| 2 | - | 2 |

STD FA477X Red - Off Road

FA478X



HONDA SIDE X SIDE
MUV 700 Big Red

09-11 R Left



Equivalents OE#

06454 HL1 A01

Competitor X Ref

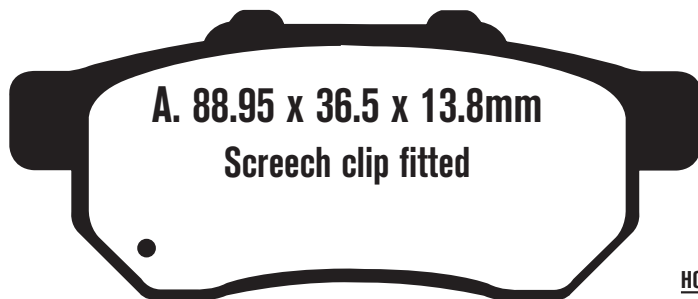
| SBS | Vesrah | Ferodo |
|-----|--------|--------|
| - | - | - |

Dealer Stocking Recommendation

| Single/Pair | Popularity # | Rec Stocking Level |
|-------------|--------------|--------------------|
| 2 | - | 2 |

STD FA478X Red - Off Road

FA479



HONDA SIDE X SIDE
MUV 700 Big Red

09-11 R Right



Equivalents OE#

06455 HL1 A01

Competitor X Ref

| SBS | Vesrah | Ferodo |
|-----|--------|--------|
| - | - | - |

Dealer Stocking Recommendation

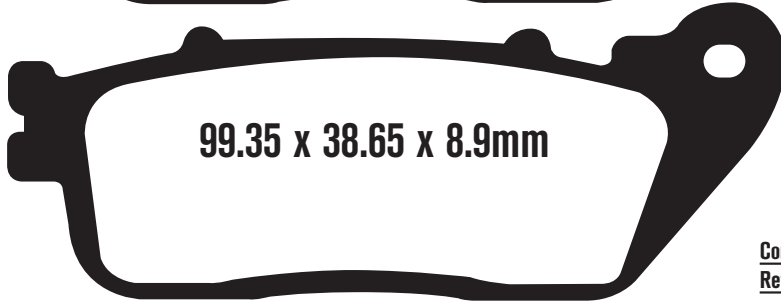
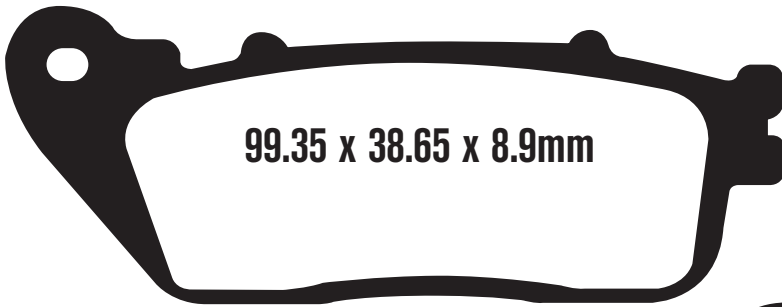
| Single/Pair | Popularity # | Rec Stocking Level |
|-------------|--------------|--------------------|
| 2 | - | 2 |

STD FA479X Red - Off Road

FA488HH

HONDA STREET BIKE

| | | |
|---|-------|---|
| CB 1000 R | 11 | R |
| VFR 1200 FA | 10-11 | R |
| VFR 1200 FDA (Automatic Transmission Model) | 10-11 | R |
| VT 1300 CXAA Fury (ABS Model) | 10-11 | R |



Equivalents OE#

06435 MFN D11

Competitor X Ref

| | | |
|------------|---------------|---------------|
| SBS | Vesrah | Ferodo |
| - | - | - |

Dealer Stocking Recommendation

STD FA488HH Sintered HH Road

| | | |
|--------------------|---------------------|---------------------------|
| Single/Pair | Popularity # | Rec Stocking Level |
| 2 | - | 2 |

FA489R

POLARIS (Side x Side)

Ranger RZR 170 09-11 R



Equivalents OE#

43120 214 00 AEON
0454444

Competitor X Ref

| | | |
|------------|---------------|---------------|
| SBS | Vesrah | Ferodo |
| - | - | - |

Dealer Stocking Recommendation

STD FA489R Sintered - Off Road

| | | |
|--------------------|---------------------|---------------------------|
| Single/Pair | Popularity # | Rec Stocking Level |
| 2 | - | 2 |

FA490R

POLARIS (Side x Side)

Ranger RZR 170 09-11 F



Competitor X Ref

| | | |
|------------|---------------|---------------|
| SBS | Vesrah | Ferodo |
| - | - | - |

Dealer Stocking Recommendation

STD FA490R Sintered - Off Road

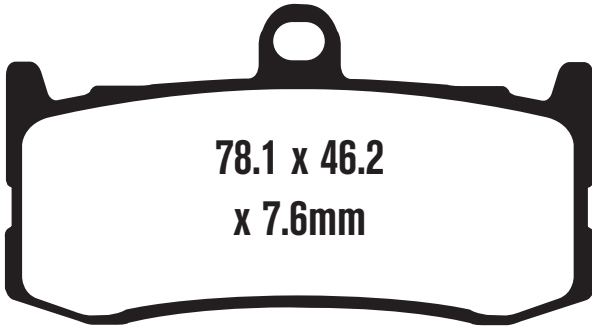
| | | |
|--------------------|---------------------|---------------------------|
| Single/Pair | Popularity # | Rec Stocking Level |
| 2 | - | 2 |

All part numbers, prefixes and suffixes shown in this catalog are unique and form a registered copyright as the property of EBC Brakes and its UK trademark owners

FA491HH

TRIUMPH STREET (Hinckley Produced Models)

675 Daytona Black Monobloc Radial caliper 09-11 F



78.1 x 46.2
x 7.6mm

Competitor X
Ref

| | | |
|------------|---------------|---------------|
| <u>SBS</u> | <u>Vesrah</u> | <u>Ferodo</u> |
| - | - | - |

| | | |
|----------------|------------------|------------------|
| STD | FA491HH | Sintered HH Road |
| OPTIONS | EPFA491HH | Sintered HH Race |

Dealer Stocking
Recommendation

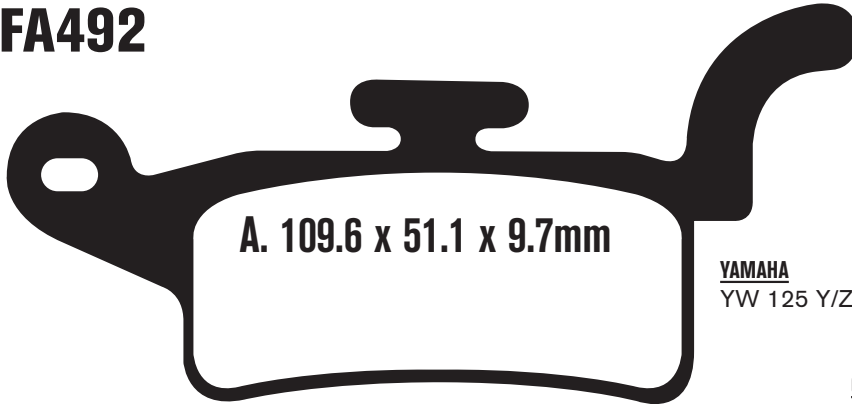
| | | |
|--------------------|---------------------|---------------------------|
| <u>Single/Pair</u> | <u>Popularity #</u> | <u>Rec Stocking Level</u> |
| 2 | - | 2 |

BUYERS GUIDE
BRAKE PADS

FA492

Equivalents OE#

5S9 W0045 00



A. 109.6 x 51.1 x 9.7mm

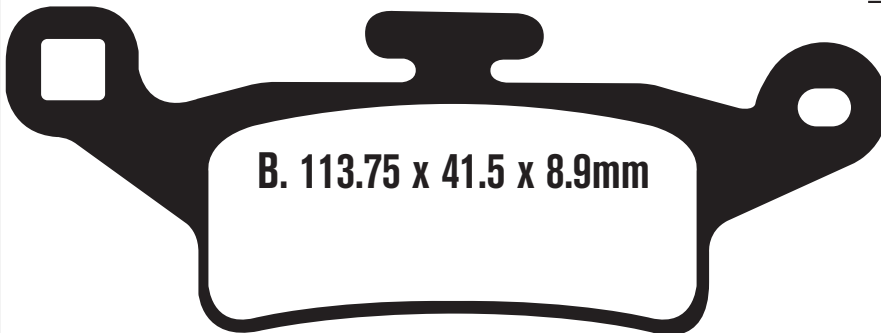
YAMAHA

YW 125 Y/Z Zuma/BW's

09-10 F

Competitor X
Ref

| | | |
|------------|---------------|---------------|
| <u>SBS</u> | <u>Vesrah</u> | <u>Ferodo</u> |
| - | - | - |



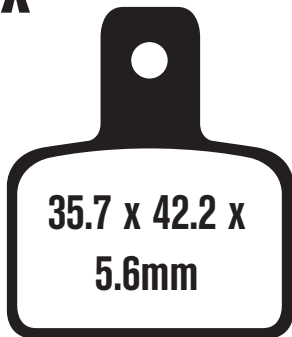
B. 113.75 x 41.5 x 8.9mm

| | | |
|------------|--------------|--------------|
| STD | FA492 | Black - Road |
|------------|--------------|--------------|

Dealer Stocking
Recommendation

| | | |
|--------------------|---------------------|---------------------------|
| <u>Single/Pair</u> | <u>Popularity #</u> | <u>Rec Stocking Level</u> |
| 2 | - | 2 |

FA495X



35.7 x 42.2 x
5.6mm

BETA DIRT

| | | |
|--------------|-------|---|
| Evo 125 (2T) | 10-11 | R |
| Evo 200 (2T) | | R |
| Evo 250 (2T) | 09-11 | R |
| Evo 250 (4T) | 09-11 | R |
| Evo 290 (2T) | 09-11 | R |
| Evo 300 (4T) | 09-11 | R |

Equivalents OE#

007360718000

Competitor X
Ref

| | | |
|------------|---------------|---------------|
| <u>SBS</u> | <u>Vesrah</u> | <u>Ferodo</u> |
| - | - | - |

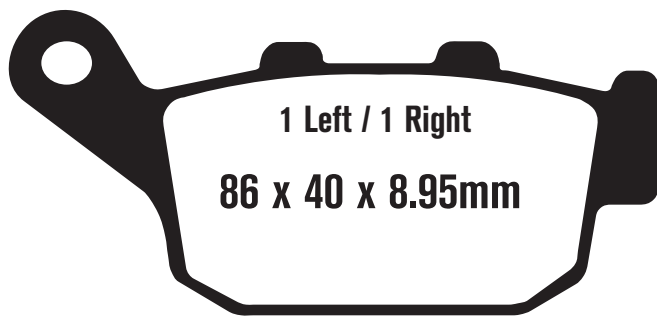
| | | |
|------------|---------------|----------------|
| STD | FA495X | Red - Off Road |
|------------|---------------|----------------|

Dealer Stocking
Recommendation

| | | |
|--------------------|---------------------|---------------------------|
| <u>Single/Pair</u> | <u>Popularity #</u> | <u>Rec Stocking Level</u> |
| 2 | - | 1 |

All part numbers, prefixes and suffixes shown in this catalog are unique and form a registered copyright as the property of EBC Brakes and its UK trademark owners

FA496



SUZUKI

SFV 650 K9/L0 Gladius

09-10 R

Equivalents OE#

69101 44850

Competitor X Ref

SBS

-

Vesrah

-

Ferodo

-

| | | |
|---------|---------|------------------|
| STD | FA496 | Red - Road |
| OPTIONS | FA496HH | Sintered HH Road |

Dealer Stocking Recommendation

| | | |
|--------------------|---------------------|---------------------------|
| <u>Single/Pair</u> | <u>Popularity #</u> | <u>Rec Stocking Level</u> |
| 2 | - | 1 |

FA497

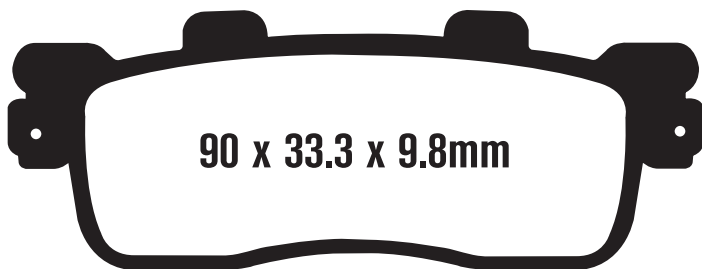


YAMAHA SIDE X SIDE

Rhino Parking Brake

| | | |
|-----|--------|----------------|
| STD | FA497X | Red - Off Road |
|-----|--------|----------------|

FA498



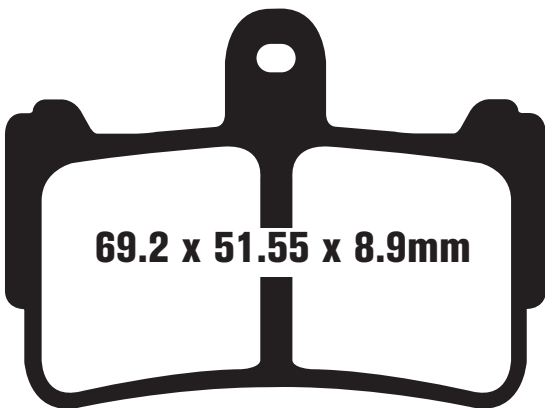
KYMGCO STREET

Downtown 300i

10-11 R

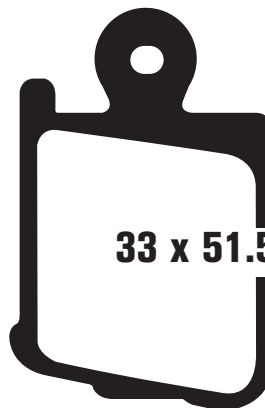
| | | |
|---------|----------|------------------|
| STD | SFA498 | Black - Road |
| OPTIONS | SFA498HH | Sintered HH Road |

FA499/4HH

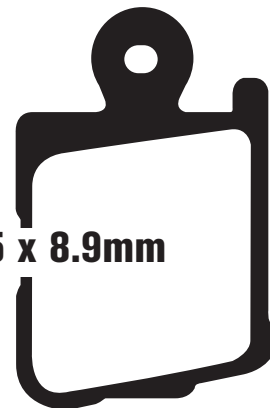


69.2 x 51.55 x 8.9mm
A Side x 2 pieces
2 Pieces A side
Fitted to lower end of caliper

Refit original shims



33 x 51.55 x 8.9mm
B1 Side
x 1 piece
Fitted to top
inside of
caliper



B2 Side
x 1 piece
Fitted to top
outside of
caliper

HONDA

VFR 1200 FA 10-11 F
 VFR 1200 FDA (Automatic Transmission Model) 10-11 F

Equivalents OE#
 06455 MGE 006

Competitor X Ref

| | | |
|------------|---------------|---------------|
| <u>SBS</u> | <u>Vesrah</u> | <u>Ferodo</u> |
| - | - | - |

Dealer Stocking Recommendation

| | | |
|--------------------|---------------------|---------------------------|
| <u>Single/Pair</u> | <u>Popularity #</u> | <u>Rec Stocking Level</u> |
| 2 | - | 2 |

STD FA499/4HH Sintered HH Road

FA600



102.3 x 42.7
x 7.85mm

KYMCO ATV
 MXU 500 4x4 IRS

10-11 F

Equivalents OE#
 45105 LFE9 305

Competitor X Ref

| | | |
|------------|---------------|---------------|
| <u>SBS</u> | <u>Vesrah</u> | <u>Ferodo</u> |
| - | - | - |

Dealer Stocking Recommendation

| | | |
|--------------------|---------------------|---------------------------|
| <u>Single/Pair</u> | <u>Popularity #</u> | <u>Rec Stocking Level</u> |
| 2 | - | 2 |

STD FA600X Black Off Road

FA600/2



**102.3 x 42.7
x 7.1mm**

KYMCO ATV
MXU 500 4x4 IRS

10-11 R

Equivalents OE#

43105 LFE9 305

Competitor X Ref

| | | |
|------------|---------------|---------------|
| <u>SBS</u> | <u>Vesrah</u> | <u>Ferodo</u> |
| - | - | - |

Dealer Stocking Recommendation

STD FA600/2X Black Off Road

| | | |
|--------------------|---------------------|---------------------------|
| <u>Single/Pair</u> | <u>Popularity #</u> | <u>Rec Stocking Level</u> |
| 2 | - | 2 |

FA601 - Use FA257/2

FA602



**40.95 x 42.35
x 7.3mm**

KTM DIRT
SX 85 (17/14" wheels)

11 R

Equivalents OE#

470 13 090 300

Competitor X Ref

| | | |
|------------|---------------|---------------|
| <u>SBS</u> | <u>Vesrah</u> | <u>Ferodo</u> |
| - | - | - |

Dealer Stocking Recommendation

STD FA602X Red Off Road
OPTIONS FA602R Sintered Off Road

| | | |
|--------------------|---------------------|---------------------------|
| <u>Single/Pair</u> | <u>Popularity #</u> | <u>Rec Stocking Level</u> |
| 2 | - | 2 |

FA603



HONDA STREET
PCX 125

11 F



Equivalents OE#

06455 KWN 641

Competitor X Ref

| SBS | Vesrah | Ferodo |
|-----|--------|--------|
| - | - | - |

| | | |
|----------------|-----------------|------------------|
| STD | SFA603 | Black - Road |
| OPTIONS | SFA603HH | Sintered HH Road |

Dealer Stocking Recommendation

| Single/Pair | Popularity # | Rec Stocking Level |
|-------------|--------------|--------------------|
| 2 | - | 2 |

FA604/4HH

BMW
S 1000 RR

10-11 F



Please refer to original BMW workshop manual for correct fitting information.

Equivalents OE#

34 11 7 714 800

Note - backplate thickness must be 4.5mm

Competitor X Ref

| SBS | Vesrah | Ferodo |
|-----|--------|--------|
| - | - | - |

| | | |
|----------------|--------------------|------------------|
| STD | FA604/4HH | Sintered HH Road |
| OPTIONS | EPFA604/4HH | Sintered HH Race |

Dealer Stocking Recommendation

| Single/Pair | Popularity # | Rec Stocking Level |
|-------------|--------------|--------------------|
| 2 | - | 2 |

FA606

**NO INFORMATION
AVAILABLE**

KTM
Duke 125

11 F

DISC BRAKE PAD

COMPETITOR INTERCHANGE LIST

| DUNLOPAD | EBC | DUNLOPAD | EBC | DUNLOPAD | EBC | DUNLOPAD | EBC |
|----------|---------|----------|---------|----------|---------|----------|-----------|
| DP101 | FA30 | DP310 | FA67 | DP612 | FA166 | DP920 | FA317 |
| DP102 | FA29 | DP310-C | FA67 | DP613 | FA167 | DP921 | FA346 |
| DP103 | FA45 | DP311 | FA85 | DP614 | FA95 | DP922 | FA347 |
| DP104 | FA69/2 | DP312 | FA83 | DP615 | FA170 | DP923 | FA357 |
| DP105 | FA69 | DP313 | FA130 | DP617 | FA181 | DP924 | FA325R |
| DP106 | FA80 | DP314 | FA129 | DP618 | FA163 | DP926 | FA345 |
| DP107 | FA54 | DP315 | FA152 | DP620 | FA77 | DP927 | FA323/3 |
| DP108 | FA113 | DP316 | FA141 | DP621 | FA131/2 | DP928 | FA358 |
| DP109 | FA124 | DP317 | FA158 | DP622 | FA208 | DP929 | FA342R |
| DP110 | FA121 | DP318 | FA161 | DP623 | FA209 | DP930 | FA344 |
| DP111 | FA86 | DP319 | FA180 | DP624 | FA107A | DP931 | FA348 |
| DP112 | FA187 | DP320 | FA192 | DP625 | FA246 | DP932 | FA314R |
| DP113 | FA143 | DP321 | FA185 | DP626 | FA218 | DP935 | FA368 |
| DP114 | FA92/2 | DP322 | FA229 | DP627 | FA243 | DP936 | FA351 |
| DP115 | FA140 | DP323 | FA231 | DP628 | FA245 | DP937 | FA303 |
| DP116 | FA124/2 | DP324 | FA249 | DP629 | FA263 | DP940 | FA367 |
| DP117 | FA142 | DP326 | FA258 | DP630 | FA244 | DP942 | FA369/4HH |
| DP118 | FA196 | DP327 | FA307 | DP631 | FA266 | DP944 | FA373R |
| DP119 | FA151 | DP328 | FA302 | DP633 | FA193 | DP946 | FA366 |
| DP120 | FA153 | DP400 | FA11 | DP634 | FA206 | DP947 | FA379HH |
| DP121 | FA174 | DP401 | FA34 | DP635 | FA260 | DP948 | FA381 |
| DP122 | FA189 | DP402 | FA70 | DP637 | FA304 | DP949 | FA381 |
| DP123 | EPFA239 | DP403 | FA81 | DP638 | FA322 | DP950 | FA379HH |
| DP124 | FA281 | DP404 | FA88 | DP639 | FA294 | DP952 | FA194 |
| DP125 | FA261 | DP405 | FA105 | DP640 | FA291 | DP953 | FA401 |
| DP126 | FA261 | DP406 | FA101 | DP701 | FA18 | DP954 | FA388 |
| DP127 | FA265 | DP407 | FA104 | DP811 | FA84 | DP956 | FA395 |
| DP128 | FA261 | DP408 | FA119 | DP812 | FA92 | DP957 | FA400 |
| DP200 | FA55 | DP409 | FA123 | DP813 | FA111 | DP958 | FA320 |
| DP201 | FA55 | DP410 | FA160 | DP814 | FA125 | DP959 | FA410 |
| DP203 | FA36 | DP411 | FA135 | DP815 | FA131 | DP961 | FA373 |
| DP204 | FA141 | DP412 | FA165/2 | DP816 | FA84/3 | DP962 | FA409 |
| DP205 | FA51 | DP413 | FA172 | DP817 | FA137 | DP963 | FA419 |
| DP206 | FA65 | DP414 | FA179 | DP821 | FA67/2 | DP964 | FA417/4 |
| DP207 | FA63 | DP415 | FA182 | DP841 | FA21 | DP965 | FA423/4 |
| DP208 | FA106 | DP416 | FA190 | DP842 | FA20 | DP966 | FA323 |
| DP209 | FA106/2 | DP417 | FA136 | DP843 | FA155 | DP967 | FA377 |
| DP210 | FA103 | DP418 | FA252 | DP900 | FA94 | DP968 | FA412 |
| DP211 | FA135 | DP419 | FA267 | DP901 | FA78 | DP971 | FA434 |
| DP212 | FA146 | DP420 | FA275 | DP902 | FA159 | DP973 | FA436 |
| DP213 | FA145 | DP421 | FA199 | DP903 | FA54/2 | DP976 | FA442/4 |
| DP214 | FA147 | DP422 | FA268 | DP904 | FA201 | DP977 | FA435/4 |
| DP215 | FA157 | DP423 | FA319 | DP905 | FA200 | DP978 | FA447 |
| DP216 | FA188 | DP500 | FA16 | DP906 | FA24/2 | DP979 | FA443 |
| DP217 | FA222 | DP501 | FA196 | DP907 | FA71 | DP980 | FA444 |
| DP218 | FA230 | DP600 | FA18 | DP908 | FA72 | DP981 | FA445 |
| DP219 | FA283 | DP601 | FA47 | DP909 | FA232 | DP982 | FA446 |
| DP220 | FA254 | DP602 | FA99 | DP911 | FA216 | DP983 | FA450 |
| DP300 | FA33 | DP604 | FA126 | DP912 | FA210 | | |
| DP302 | FA73 | DP605 | FA134 | DP913 | FA216 | | |
| DP303 | FA62 | DP606 | FA132 | DP914 | FA271R | | |
| DP304 | FA36 | DP607 | FA115 | DP915 | FA270R | | |
| DP305 | FA73 | DP608 | FA171 | DP916 | FA32 | | |
| DP307 | FA58 | DP609 | FA164 | DP917 | FA76 | | |
| DP308 | FA68 | DP610 | FA116 | DP918 | FA299 | | |
| DP309 | FA68 | DP611 | FA60 | DP919 | FA307 | | |

**BUYERS GUIDE
BRAKE PADS**

All part numbers, prefixes and suffixes shown in this catalog are unique and form a registered copyright as the property of EBC Brakes and its UK trademark owners

DISC BRAKE PAD

COMPETITOR INTERCHANGE LIST

| FERODO | EBC | FERODO | EBC | FERODO | EBC | FERODO | EBC |
|----------|--------|----------|----------|----------|---------|----------|---------|
| FDB 88 | FA27 | FDB 342R | FA16 | FDB 605 | FA252 | FDB 2014 | FA21 |
| FDB 108 | FA18 | FDB 352 | FA94 | FDB 606 | FA147 | FDB 2015 | FA119 |
| FDB 108R | FA18 | FDB 352R | FA94 | FDB 607 | FA157 | FDB 2016 | FA137 |
| FDB 119 | FA13 | FDB 381 | FA84 | FDB 625 | FA178 | FDB 2017 | FA155 |
| FDB 132 | FA33 | FDB 382 | FA92 | FDB 631 | FA165 | FDB 2018 | FA181 |
| FDB 134R | FA32 | FDB 383 | FA101 | FDB 636 | FA169 | FDB 2019 | FA208 |
| FDB 148 | FA18 | FDB 384 | FA93 | FDB 637 | FA182 | FDB 2022 | FA196 |
| FDB 148R | FA18 | FDB 386 | FA104 | FDB 657 | FA170 | FDB 2031 | FA243 |
| FDB 150 | FA35 | FDB 386R | FA104 | FDB 659 | FA152 | FDB 2033 | FA361HH |
| FDB 151R | FA36 | FDB 389 | FA103 | FDB 661 | FA84/3 | FDB 2034 | FA362HH |
| FDB 155 | FA22 | FDB 389R | FA103 | FDB 662 | FA123 | FDB 2036 | FA249 |
| FDB 157 | FA11 | FDB 390 | FA102 | FDB 663 | FA124/2 | FDB 2037 | FA255 |
| FDB 177 | FA34 | FRP 403 | FA11 | FDB 664 | FA196 | FDB 2039 | FA245 |
| FDB 177R | FA34 | FDB 404 | FA106 | FDB 665 | FA69/3 | FDB 2040 | FA216 |
| FDB 178 | FA38 | FRP 405 | FA115 | FDB 666 | FA160 | FDB 2041 | FA216/2 |
| FDB 181R | FA37 | FRP 408 | FA95 | FDB 672 | FA131/3 | FDB 2042 | FA244 |
| FDB 182 | FA30 | FRP 410 | EPFA107A | FDB 673 | FA106/2 | FDB 2043 | FA263 |
| FDB 183 | FA45 | FDB 411 | FA105 | FDB 677 | FA194 | FDB 2044 | FA107A |
| FDB 184 | FA41 | FRP 415 | FA175 | FDB 680 | FA193 | FDB 2048 | FA231 |
| FDB 185 | FA24/2 | FRP 418 | EPFA217 | FDB 694 | FA60 | FDB 2049 | FA229 |
| FDB 185R | FA24/2 | FRP 419 | FA95/2 | FDB 695 | FA74 | FDB 2050 | FA246 |
| FDB 204 | FA77 | FDB 436 | FA99 | FDB 696 | FA98 | FDB 2053 | FA201 |
| FDB 204R | FA77 | FDB 437 | FA110 | FDB 697 | FA116 | FDB 2054 | FA232 |
| FDB 207 | FA47 | FDB 438 | FA113 | FDB 698 | N/A | FDB 2055 | FA159 |
| FDB 207R | FA47 | FDB 449 | FA123 | FDB 699 | FA166 | FDB 2056 | FA255 |
| FDB 213 | FA76 | FDB 449R | FA123 | FDB 705 | FA47 | FDB 2057 | FA260 |
| FDB 217 | FA65 | FDB 452 | FA124 | FDB 706 | FA167 | FDB 2058 | FA222 |
| FDB 218 | FA51 | FDB 452R | FA124 | FDB 731 | FA67/2 | FDB 2059 | FA196 |
| FDB 220 | FA62 | FDB 453 | FA119 | FDB 736 | FA171 | FDB 2060 | FA256 |
| FDB 244 | FA69 | FDB 462 | FA121 | FDB 737 | FA172 | FDB 2062 | FA268 |
| FDB 244R | FA69 | FDB 475 | FA101 | FDB 741 | FA180 | FDB 2073 | FA261 |
| FDB 247 | FA61 | FDB 481 | FA129 | FDB 754 | FA174 | FDB 2074 | FA266 |
| FDB 248 | FA42 | FDB 481R | FA129 | FDB 781 | FA179 | FDB 2075 | FA261 |
| FDB 250 | FA54 | FDB 485 | FA201 | FDB 782 | FA177 | FDB 2079 | FA265 |
| FDB 277 | FA70 | FDB 494 | FA130 | FDB 783 | FA131/2 | FDB 2080 | FA258 |
| FDB 298 | FA68 | FDB 495 | FA125 | FDB 784 | FA186 | FDB 2081 | FA47 |
| FDB 298R | FA68 | FDB 496 | FA143 | FDB 828 | FA173 | FDB 2083 | FA275 |
| FDB 299 | FA68 | FDB 497 | FA135 | FDB 831 | FA150 | FDB 2084 | FA267 |
| FDB 310 | FA80 | FDB 498 | FA126 | FDB 847 | FA210 | FDB 2085 | FA283 |
| FDB 310R | FA80 | FDB 499 | FA134 | FDB 851 | FA142 | FDB 2086 | FA323/3 |
| FDB 311 | FA81 | FDB 508 | FA141 | FDB 858 | FA187 | FDB 2087 | FA197 |
| FDB 312 | FA86 | FDB 521 | FA200 | FDB 864 | FA190 | FDB 2090 | FA298 |
| FDB 313 | FA83 | FDB 529 | FA163 | FDB 865 | FA191 | FDB 2091 | FA515 |
| FDB 314 | FA67 | FDB 531 | FA140 | FDB 866 | FA156 | FDB 2095 | FA301 |
| FDB 333 | FA71 | FDB 533 | FA187 | FDB 873 | FA188 | FDB 2096 | FA305 |
| FDB 334 | FA72 | FDB 538 | FA69/2 | FDB 889 | FA206 | FDB 2097 | FA299 |
| FDB 334R | FA72 | FDB 539 | FA131 | FDB 892 | FA185 | FDB 2098 | FA261 |
| FDB 335 | FA78 | FDB 557 | FA145 | FDB 2001 | FA200 | FDB 2099 | FA244 |
| FDB 335R | FA78 | FDB 561 | FA132 | FDB 2002 | FA189 | FDB 2100 | FA186 |
| FDB 337 | FA88 | FDB 568 | FA153 | FDB 2003 | FA199 | FDB 2101 | FA234 |
| FDB 337R | FA88 | FDB 569 | FA146 | FDB 2005 | FA208 | FDB 2102 | FA304 |
| FDB 338 | FA63 | FDB 570 | FA142 | FDB 2006 | FA209 | FDB 2103 | FA291 |
| FDB 338R | FA63 | FDB 574 | FA158 | FDB 2007 | FA218 | FDB 2105 | FA324 |
| FDB 339 | FA85 | FDB 583 | FA118 | FDB 2008 | FA211 | FDB 2106 | FA194 |
| FDB 339R | FA85 | FDB 591 | FA136 | FDB 2012 | FA192 | FDB 2107 | FA115 |
| FDB 342 | FA16 | FDB 592 | FA120 | FDB 2013 | FA128 | FDB 2108 | FA306 |

All part numbers, prefixes and suffixes shown in this catalog are unique and form a registered copyright as the property of EBC Brakes and its UK trademark owners

DISC BRAKE PAD COMPETITOR INTERCHANGE LIST

| FERODO | EBC | FERODO | EBC | SBS | EBC | SBS | EBC |
|----------|---------|----------|---------|-----|--------|-----|---------|
| FDB 2109 | FA303 | FDB 2179 | FA381 | 500 | FA28 | 557 | FA85 |
| FDB 2110 | FA302 | FDB 2180 | FA387 | 501 | FA13 | 558 | FA92 |
| FDB 2111 | FA254 | FDB 2181 | FA390 | 502 | FA12 | 559 | FA115 |
| FDB 2113 | FA203 | FDB 2182 | FA373 | 503 | FA55 | 560 | FA76 |
| FDB 2114 | FA296 | FDB 2183 | FA325 | 504 | FA11 | 561 | FA90 |
| FDB 2115 | FA321 | FDB 2184 | FA377 | 505 | FA27 | 562 | FA84 |
| FDB 2116 | FA323 | FDB 2185 | FA426 | 506 | FA18 | 563 | FA75 |
| FDB 2120 | FA322HH | FDB 2186 | FA418 | 507 | FA34 | 563 | FA75/2 |
| FDB 2121 | FA270R | FDB 2187 | FA142 | 508 | FA29 | 565 | FA89 |
| FDB 2122 | N/A | FDB 2188 | FA342 | 509 | FA32 | 566 | FA95 |
| FDB 2123 | FA295 | FDB 2189 | N/A | 510 | FA33 | 568 | FA96 |
| FDB 2124 | FA294HH | FDB 2190 | FA264 | 511 | FA35 | 569 | FA149/2 |
| FDB 2125 | FA335HH | FDB 2191 | FA235 | 512 | FA36 | 570 | FA104 |
| FDB 2126 | FA319 | FDB 2192 | FA151 | 513 | FA24/2 | 571 | FA80/2 |
| FDB 2127 | FA351 | FDB 2193 | FA344 | 514 | FA37 | 572 | FA69/2 |
| FDB 2128 | FA350 | FDB 2194 | FA162 | 515 | FA38 | 573 | FA109 |
| FDB 2129 | FA297 | FDB 2196 | FA388 | 516 | FA39 | 574 | FA60 |
| FDB 2130 | FA358 | FDB 2197 | FA401 | 517 | FA31 | 575 | FA101 |
| FDB 2131 | FA196 | FDB 2198 | FA320 | 519 | FA47 | 576 | FA21 |
| FDB 2132 | FA323/3 | FDB 2200 | FA408 | 520 | FA22 | 577 | FA103 |
| FDB 2133 | FA230 | FDB 2201 | FA399 | 521 | FA43 | 578 | FA102 |
| FDB 2134 | FA227 | FDB 2203 | FA369/4 | 522 | FA48 | 579 | FA94 |
| FDB 2135 | N/A | FDB 2204 | FA379 | 523 | FA16 | 580 | FA105 |
| FDB 2136 | N/A | FDB 2205 | FA390 | 524 | FA56 | 581 | FA106 |
| FDB 2139 | FA346 | | | 525 | FA40 | 582 | FA106/2 |
| FDB 2140 | FA356 | FRP 213 | FA16 | 526 | FA45 | 583 | FA47/2 |
| FDB 2141 | FA357 | FRP 219 | FA95/2 | 527 | FA57 | 584 | FA84/2 |
| FDB 2142 | FA353 | FRP 405 | FA115 | 528 | FA41 | 585 | FA93 |
| FDB 2143 | FA343 | FRP 408 | FA95 | 529 | FA52 | 586 | FA67 |
| FDB 2144 | FA188 | FRP 410 | FA107A | 530 | FA62 | 587 | FA110 |
| FDB 2145 | FA345 | FRP 415 | FA175 | 531 | FA48 | 588 | FA113 |
| FDB 2146 | FA256 | FRP 416 | FA47/3 | 532 | FA50 | 589 | FA119 |
| FDB 2147 | FA374 | FRP 417 | FA183 | 533 | FA51 | 590 | FA123 |
| FDB 2148 | FA307 | FRP 419 | FA95 | 534 | FA65 | 591 | FA128 |
| FDB 2149 | FA317 | | | 535 | FA64 | 592 | FA84 |
| FDB 2150 | FA348 | | | 536 | FA54 | 593 | FA121 |
| FDB 2153 | N/A | | | 537 | FA71 | 594 | FA120 |
| FDB 2155 | N/A | | | 538 | FA46 | 595 | FA99 |
| FDB 2156 | FA319/2 | | | 539 | FA66 | 596 | FA118 |
| FDB 2157 | FA357 | | | 540 | FA68 | 597 | FA129 |
| FDB 2158 | FA347 | | | 541 | FA67/2 | 598 | FA122 |
| FDB 2162 | FA367 | | | 542 | FA69 | 599 | FA107 |
| FDB 2163 | FA366 | | | 543 | FA72 | 600 | FA124 |
| FDB 2164 | FA369/4 | | | 544 | FA83 | 601 | FA126 |
| FDB 2165 | FA368 | | | 545 | FA61 | 602 | FA130 |
| FDB 2166 | N/A | | | 546 | FA67 | 603 | FA125 |
| FDB 2167 | EPFA263 | | | 547 | FA70 | 604 | FA131 |
| FDB 2168 | N/A | | | 548 | FA83/2 | 605 | FA98 |
| FDB 2169 | FA375 | | | 549 | FA78 | 606 | FA111 |
| FDB 2170 | N/A | | | 550 | FA81 | 607 | FA116 |
| FDB 2171 | N/A | | | 551 | FA86 | 608 | FA134 |
| FDB 2178 | FA412 | | | 552 | FA80 | 609 | FA201 |
| FDB 2175 | FA271 | | | 553 | FA79 | 610 | FA117 |
| FDB 2176 | FA314 | | | 554 | FA77 | 611 | FA135 |
| FDB 2177 | FA313 | | | 555 | FA88 | 612 | FA200 |
| FDB 2178 | FA379 | | | 556 | FA63 | 613 | FA123 |

BUYERS GUIDE
BRAKE PADS

All part numbers, prefixes and suffixes shown in this catalog are unique and form a registered copyright as the property of EBC Brakes and its UK trademark owners

DISC BRAKE PAD

COMPETITOR INTERCHANGE LIST

| SBS | EBC | SBS | EBC | SBS | EBC | SBS | EBC |
|-----|---------|-----|---------|-----|---------|-----|---------|
| 614 | FA140 | 670 | FA257 | 729 | FA249 | 808 | FA387 |
| 615 | FA141 | 671 | FA181 | 730 | FA266 | 809 | FA390 |
| 616 | FA136 | 672 | FA156 | 731 | FA258 | 810 | FA377 |
| 617 | FA20 | 673 | FA131/2 | 732 | N/A | 813 | FA373R |
| 618 | FA151 | 676 | FA249 | 733 | FA267 | 914 | FA86 |
| 619 | FA169 | 677 | FA183 | 734 | FA265 | 815 | FA291 |
| 620 | FA146 | 678 | FA95 | 735 | FA261 | 816 | FA428 |
| 621 | FA132 | 679 | FA26 | 736 | FA261 | 817 | FA167 |
| 622 | FA187 | 680 | FA116 | 737 | FA47 | 818 | FA418 |
| 623 | FA143 | 681 | FA177 | 738 | FA196 | 819 | FA115 |
| 624 | FA145 | 682 | FA191 | 740 | FA283 | 820 | FA401 |
| 625 | N/A | 683 | FA190 | 741 | FA295 | 821 | FA399 |
| 626 | FA147 | 684 | FA173 | 742 | FA363 | 822 | FA395 |
| 627 | FA142 | 685 | FA189 | 743 | FA294 | 823 | FA393 |
| 628 | FA151 | 686 | FA188 | 744 | FA206 | 824 | FA47/2 |
| 629 | FA153 | 687 | FA192 | 745 | FA297 | 825 | N/A |
| 630 | FA196 | 688 | FA197 | 746 | FA304 | 826 | FA400 |
| 631 | FA158 | 689 | FA194 | 747 | FA298 | 827 | N/A |
| 632 | FA152 | 690 | FA131/3 | 748 | FA301 | 828 | FA388 |
| 633 | FA165 | 691 | FA199 | 749 | FA305 | 829 | FA410 |
| 634 | FA252 | 692 | FA67 | 750 | FA299 | 830 | FA409 |
| 635 | FA157 | 694 | FA185 | 751 | N/A | 831 | FA425 |
| 636 | FA164 | 695 | FA218 | 752 | FA302 | 832 | FA415 |
| 637 | FA155 | 696 | FA113 | 753 | FA174 | 833 | FA419 |
| 638 | FA165 | 697 | FA193 | 754 | FA307 | 834 | FA436 |
| 639 | FA220 | 698 | FA16 | 755 | FA270R | 835 | FA413 |
| 640 | FA171 | 699 | FA198 | 756 | FA273R | 836 | FA414 |
| 641 | FA163 | 700 | FA196 | 757 | FA313R | 837 | FA430 |
| 642 | FA159 | 701 | FA222 | 758 | FA271R | 838 | FA417/4 |
| 643 | FA54 | 702 | FA230 | 760 | N/A | 839 | FA442/4 |
| 644 | FA170 | 703 | FA246 | 761 | FA324 | 840 | FA450 |
| 645 | FA123 | 704 | FA231 | 762 | FA322HH | 841 | FA447 |
| 646 | FA47/3 | 705 | FA229 | 763 | FA320 | 842 | FA405 |
| 647 | FA124/2 | 706 | FA244 | 764 | FA336 | 843 | FA433 |
| 648 | FA152 | 707 | FA263 | 765 | FA254 | 844 | FA432 |
| 649 | FA137 | 708 | FA264 | 766 | N/A | 853 | FA457 |
| 650 | FA172 | 709 | FA92/3 | 767 | FA317 | 854 | FA458 |
| 651 | FA173 | 710 | FA234 | 768 | FA319 | | |
| 652 | FA167 | 711 | FA255 | 769 | FA319/2 | | |
| 653 | FA166 | 712 | FA255 | 770 | FA348 | | |
| 654 | FA196 | 713 | FA228 | 771 | FA193 | | |
| 655 | FA184 | 714 | FA145 | 777 | FA346 | | |
| 656 | FA175 | 715 | FA254 | 778 | FA294 | | |
| 657 | FA174 | 716 | FA159 | 779 | FA249/2 | | |
| 658 | FA210 | 717 | FA232 | 781 | FA323/3 | | |
| 659 | FA162 | 718 | FA47 | 782 | FA347 | | |
| 660 | EPFA217 | 719 | FA272 | 783 | FA357 | | |
| 661 | FA107A | 720 | N/A | 785 | EPFA315 | | |
| 662 | FA95 | 721 | FA261 | 787 | FA314 | | |
| 663 | FA179 | 722 | FA261 | 788 | FA369 | | |
| 664 | N/A | 723 | FA235 | 789 | FA366 | | |
| 665 | FA182 | 724 | FA260 | 790 | FA367 | | |
| 666 | FA180 | 725 | FA193 | 791 | FA368 | | |
| 667 | FA193 | 726 | FA258 | 793 | FA256 | | |
| 668 | FA201 | 727 | FA244 | 806 | FA379 | | |
| 669 | FA200 | 728 | FA275 | 807 | FA381 | | |

All part numbers, prefixes and suffixes shown in this catalog are unique and form a registered copyright as the property of EBC Brakes and its UK trademark owners

DISC BRAKE PAD

COMPETITOR INTERCHANGE LIST

| VESRAH | EBC | VESRAH | EBC | VESRAH | EBC | VESRAH | EBC |
|----------|---------|----------|-------|----------|---------|----------|---------|
| VD-101 | FA12 | VD-146 | FA122 | VD-246 | FA136 | VD-324 | FA65 |
| VD-102 | FA13 | VD-147 | FA140 | VD-247 | FA169 | VD-325 | FA67 |
| VD-103 | FA13 | VD-150 | FA151 | VD-248 | FA252 | VD-327 | FA63 |
| VD-104 | FA13 | VD-152 | FA113 | VD-249 | FA220 | VD-327/2 | FA161 |
| VD-105 | FA13 | VD-153 | FA153 | VD-250 | FA214 | VD-328 | FA102 |
| VD-106 | FA13 | VD-154 | FA187 | VD-250/2 | FA215/2 | VD-329 | FA106 |
| VD-107 | FA29 | VD-156 | FA142 | VD-251 | FA160 | VD-329/2 | FA106/2 |
| VD-108 | FA32 | VD-156/2 | FA196 | VD-252 | FA172 | VD-330 | FA103 |
| VD-109 | FA40 | VD-160 | N/A | VD-253 | FA169 | VD-331 | FA103 |
| VD-110 | FA43 | VD-161 | FA185 | VD-254 | FA115 | VD-331/2 | FA150 |
| VD-111 | FA40 | VD-162 | FA257 | VD-255 | FA179 | VD-332 | FA67/2R |
| VD-112 | FA31 | VD-163 | FA174 | VD-256 | FA206 | VD-333 | FA54 |
| VD-112/2 | FA29 | VD-164 | FA189 | VD-257 | FA182 | VD-334 | FA84/2 |
| VD-112/3 | FA30 | VD-165 | FA261 | VD-258 | FA190 | VD-335 | FA110 |
| VD-113 | FA45 | VD-166 | FA265 | VD-259 | FA199 | VD-336 | FA84 |
| VD-114 | FA29 | VD-166/2 | FA265 | VD-260 | FA199 | VD-337 | FA106/2 |
| VD-115 | FA30 | VD-168 | FA346 | VD-261 | FA155 | VD-338 | FA103 |
| VD-116 | FA32 | VD-169 | FA358 | VD-262 | FA244 | VD-339 | FA83 |
| VD-117 | FA45 | VD-170 | FA390 | VD-263 | N/A | VD-340 | FA214 |
| VD-118 | FA30 | VD-171 | FA373 | VD-264 | FA267 | VD-341 | FA137 |
| VD-119 | FA52 | VD-172 | FA388 | VD-265 | FA275 | VD-342 | FA83 |
| VD-120 | FA54 | VD-173 | FA415 | VD-266 | FA307 | VD-342/2 | FA83/2 |
| VD-122 | FA83/2 | VD-174 | FA436 | VD-266/2 | FA413 | VD-343 | FA158 |
| VD-123 | FA69 | VD-175 | FA410 | VD-267 | FA336 | VD-344 | FA158 |
| VD-123/2 | FA69/2 | VD-201 | FA11 | VD-268 | FA348 | VD-344/2 | FA158 |
| VD-123/3 | FA69/3 | VD-202 | FA28 | VD-269 | FA319 | VD-345 | FA146 |
| VD-123/4 | FA69/3 | VD-203 | FA28 | VD-269/2 | FA319/2 | VD-345/2 | FA146 |
| VD-124 | FA69/2 | VD-204 | FA11 | VD-270 | FA344 | VD-346 | FA93 |
| VD-125 | FA29 | VD-205 | FA34 | VD-271 | FA367 | VD-347 | FA147 |
| VD-126 | FA130 | VD-206 | FA34 | VD-272 | FA384 | VD-348 | FA157 |
| VD-127 | FA84/3 | VD-207 | FA34 | VD-273 | FA393 | VD-349 | FA188 |
| VD-127/2 | FA84 | VD-208 | FA34 | VD-274 | FA380 | VD-350 | FA222 |
| VD-127/3 | FA84/2 | VD-209 | FA34 | VD-275 | FA408 | VD-351 | FA230 |
| VD-128 | FA84 | VD-210 | FA34 | VD-276 | FA428 | VD-352 | FA231 |
| VD-129 | FA80/2 | VD-211 | FA34 | VD-277 | FA442/4 | VD-353 | FA283 |
| VD-129 | FA197 | VD-212 | FA34 | VD-301 | FA55 | VD-354 | FA369/4 |
| VD-129/2 | FA80 | VD-213 | FA42 | VD-302 | FA55 | VD-354 | FA423/4 |
| VD-130 | FA90 | VD-214 | FA34 | VD-303 | FA55 | VD-355 | FA379 |
| VD-131 | FA86 | VD-215 | FA41 | VD-304 | FA55 | VD-356 | FA411 |
| VD-132 | FA69 | VD-216 | FA61 | VD-305 | FA35 | VD-357 | FA412 |
| VD-133 | FA69/3 | VD-221 | FA64 | VD-306 | FA36 | VD-358 | FA401 |
| VD-134 | FA92 | VD-222 | FA20 | VD-306/2 | RFA36/2 | VD-359 | FA419 |
| VD-135 | FA80 | VD-228 | FA70 | VD-307 | FA38 | VD-401 | FA55 |
| VD-136 | FA92/2 | VD-231 | FA81 | VD-308 | FA38 | VD-402 | FA55 |
| VD-137 | FA176 | VD-234 | FA21 | VD-309 | FA39 | VD-403 | N/A |
| VD-138 | FA111 | VD-235 | FA81 | VD-310 | FA38 | VD-404 | FA33 |
| VD-138/2 | FA111/2 | VD-236 | FA88 | VD-311 | FA36 | VD-405 | FA37 |
| VD-139 | FA125 | VD-237 | FA38A | VD-312 | FA56 | VD-406 | FA36 |
| VD-139/2 | FA143 | VD-238 | FA89 | VD-313 | FA35 | VD-408 | FA33 |
| VD-140 | FA109 | VD-239 | FA101 | VD-314 | FA46 | VD-409 | FA33 |
| VD-141 | FA121 | VD-240 | FA104 | VD-315 | FA38 | VD-410 | FA39 |
| VD-142 | FA121 | VD-241 | FA105 | VD-316 | FA38 | VD-411 | FA33 |
| VD-143 | FA124 | VD-242 | FA123 | VD-318 | FA35 | VD-412 | FA37 |
| VD-143/2 | FA124/2 | VD-242/2 | FA123 | VD-320 | FA38 | VD-413 | FA48 |
| VD-144 | FA131 | VD-244 | FA119 | VD-322 | FA51 | VD-414 | FA33 |
| VD-144/2 | FA131 | VD-245 | FA118 | VD-323 | FA51 | VD-415 | FA36/2 |

DISC BRAKE PAD

COMPETITOR INTERCHANGE LIST

| VESRAH | EBC | VESRAH | EBC | VESRAH | EBC | MOTOR FACTORY | EBC |
|----------|---------|----------|---------|---------|-----------|---------------|-----------|
| VD-416 | FA161 | VD-931 | FA111 | VD-997 | FA368 | 12438 | FA026 |
| VD-417 | FA73 | VD-932 | FA99 | VD-998 | FA320 | 18504 | FA079 |
| VD-419 | N/A | VD-933 | FA77 | VD-999 | FA350 | 8009001 | FA036 |
| VD-420 | FA68 | VD-934 | FA171 | VD-9000 | FA335 | 8009002 | N/A |
| VD-420/2 | FA68 | VD-935 | FA57 | VD-9001 | FA303 | 8009003 | FA024/2 |
| VD-421 | FA68 | VD-936 | FA132 | VD-9002 | FA352 | 8009004 | FA200 |
| VD-422 | FA83 | VD-937 | FA116 | VD-9003 | FA351 | 8009007 | FA216/3 |
| VD-423 | FA62 | VD-938 | FA164 | VD-9006 | FA357 | 8009008 | FA216/3HH |
| VD-424 | FA85 | VD-939 | FA54/2 | VD-9007 | FA167 | 8009009 | FA216/2 |
| VD-425 | FA173 | VD-940 | FA159 | VD-9009 | FA381 | 8009010 | FA216/2HH |
| VD-426 | FA85 | VD-941 | FA170 | VD-9010 | FA387 | 8009011 | FA076 |
| VD-427 | FA129 | VD-942 | FA134 | VD-9011 | TBA | 8009012 | FA047 |
| VD-428 | FA130 | VD-943 | FA126 | VD-9012 | FA264 | 8009013 | FA47HH |
| VD-430 | FA141 | VD-945 | FA95 | VD-9013 | FA374 | 8009014 | FA400 |
| VD-432 | FA152 | VD-947 | FA245 | VD-9015 | FA194 | 8009019 | FA071 |
| VD-432/2 | FA152/2 | VD-948 | FA193 | VD-9017 | FA324 | 8009020 | FA072 |
| VD-433 | FA180 | VD-950 | FA232 | VD-9019 | FA297 | 8009021 | FA078 |
| VD-434 | FA192 | VD-953 | FA208 | VD-9020 | FA294 | 8009024 | FA094 |
| VD-435 | FA259 | VD-955 | FA255 | VD-9022 | FA400 | 8009025 | FA094HH |
| VD-437 | FA249 | VD-956 | FA201 | VD-9023 | FA395 | 8009026 | FA115 |
| VD-438 | FA258 | VD-957 | FA200 | VD-9024 | FA354 | 8009027 | FA115HH |
| VD-439 | FA294 | VD-958 | FA209 | VD-9025 | FA409 | 8009030 | FA201 |
| VD-440 | FA302 | VD-959 | FA246 | VD-9026 | FA377 | 8009044 | FA095 |
| VD-441 | FA342 | VD-960 | FA268 | VD-9027 | EPFA183HH | 8009045 | FA095HH |
| VD-442 | FA349 | VD-961 | EPFA263 | VD-9030 | MXS405 | 8009046 | FA175 |
| VD-443 | FA347 | VD-962 | FA234 | | | 8009047 | FA381HH |
| VD-901 | FA26 | VD-963 | FA270 | | | 8009048 | FA387 |
| VD-902 | FA24/2 | VD-964 | FA266 | | | 8009049 | FA381 |
| VD-903 | FA71 | VD-965 | FA271 | | | 8009050 | FA387HH |
| VD-904 | FA27 | VD-967 | FA194 | | | 8009053 | FA409 |
| VD-906 | FA16 | VD-968 | FA260 | | | 8009054 | FA409HH |
| VD-907 | FA18 | VD-967 | FA194 | | | 8009055 | FA434 |
| VD-907/2 | FA18 | VD-968 | FA260 | | | 8009056 | FA434HH |
| VD-908 | FA71 | VD-969/2 | FA295 | | | 8009059 | FA457HH |
| VD-909 | FA72 | VD-971 | FA299 | | | 8009060 | FA458HH |
| VD-910 | FA22 | VD-972 | FA304 | | | | |
| VD-911 | FA47 | VD-973 | FA313 | | | | |
| VD-911/2 | FA47/3 | VD-974 | FA298 | | | | |
| VD-912 | FA50 | VD-975 | FA210 | | | | |
| VD-913 | FA18 | VD-976 | FA301 | | | | |
| VD-915 | FA24/2 | VD-977 | - | | | | |
| VD-916 | N/A | VD-978 | - | | | | |
| VD-917 | FA79 | VD-979/2 | FA414 | | | | |
| VD-918 | FA78 | VD-981 | FA321 | | | | |
| VD-919 | FA94 | VD-982 | FA177 | | | | |
| VD-920 | FA60 | VD-983 | FA353 | | | | |
| VD-921 | N/A | VD-984 | - | | | | |
| VD-922 | FA201 | VD-986 | FA322/4 | | | | |
| VD-923 | FA200 | VD-987 | FA355 | | | | |
| VD-924 | FA120 | VD-988 | FA356 | | | | |
| VD-925 | FA115 | VD-991 | FA325 | | | | |
| VD-926 | FA204 | VD-992 | FA314 | | | | |
| VD-927 | FA163 | VD-993 | FA345 | | | | |
| VD-928 | FA76 | VD-994 | FA306 | | | | |
| VD-929 | FA134 | VD-995 | FA305 | | | | |
| VD-930 | FA98 | VD-996 | FA235 | | | | |

All part numbers, prefixes and suffixes shown in this catalog are unique and form a registered copyright as the property of EBC Brakes and its UK trademark owners

| Part No. | Make/Model | Year | | Part No. | Make/Model | Year | | |
|--------------|-----------------------------------|----------|----------------------------|---------------------------|---------------------------------|-------|-------|--|
| 301 | HONDA STREET BIKE | | | 303/ 303G continued | E-TON QUADS | | | |
| | NA 50 Express II | 79-81 | F | | CXL 150 Yukon II/Challenger | 02-09 | F | |
| | NB 50/NB 50 M Aero 50 | 83-87 | F | | YXL 150 Yukon | 00-02 | F | |
| | NC 50 Express | 77-80 | F & R | | RXL 150 Viper R | 05-09 | F | |
| | NC 50 Express | 81-83 | F | | RXL 150 Viper | 05-06 | F | |
| | NN 50 MD 'Gyro' | 84 | F & R | | PEUGEOT | | | |
| | NQ 50 D/NQ 50 Spree/Spree Special | 84-87 | F & R | | Speedfight 2 X/Team (A/C) | 02-05 | R | |
| | NX 50 M Express SR | 81-82 | F | | Vivacity X-Race 50/Pulsa 50 | 02-05 | R | |
| | P 50 | | F | | Metal-X | 02-05 | R | |
| | PA 50 | 78-81 | F | | Trekker 50 | 02-05 | R | |
| | PA 50 | 82-83 | F & R | | Looxor 50 | 02-05 | R | |
| | TG 50/TG 50 M Gyro S | 85-86 | F & R | | Elyseo 50 | 02-05 | R | |
| | SA 50 Elite LX/SR | 88-93 | F | | Scoot Elec | 04-05 | F & R | |
| | SB 50/SB 50 P Elite/Elite ES | 88-90 | F & R | | Ludix 50 Trend/One/Snake/Bullet | 04-05 | R | |
| | SE 50/SE 50 P Elite/Elite 50 S | 87-88 | F | | Ludix 50 Elegance/Ambition | 04-05 | R | |
| | HONDA DIRT BIKE | | | | Ludix 125 | 04-05 | R | |
| | CRF 50 F | 04-09/11 | F & R | | KYMCO | | | |
| | XR 50 R | 00-03 | F & R | | Agility 50 (4T) | 05-11 | R | |
| | Z 50 R | 80-99 | F & R | | Like 50 (2T) | 09-11 | R | |
| | Z 50 RD | 86 | F & R | | Sento 50cc (4T) | 09-11 | R | |
| | SUZUKI DIRT BIKE | | | | Sting 50 (2T) | 05-11 | R | |
| | DR-Z 70 K8/K9 | 08-11 | F & R | | Vitality 50 (4T) | 05-08 | R | |
| | YAMAHA DIRT BIKE | | | | Agility 125 | 06-11 | R | |
| | TT-R 50 EV/EW/EX/EY | 06-09 | F & R | | Yup 50 | 02-06 | R | |
| | | | | | Cobra Cross/Cobra 50 | 02-05 | R | |
| | | | | | ZX 50 | 02-05 | R | |
| | | | Filly 50 | 02-05 | R | | | |
| | | | MXer 150 | 03-05 | F | | | |
| | | | MXU 150 | 05-11 | F | | | |
| | | | SYM | | | | | |
| | | | Jet Euro 50 | 99-11 | R | | | |
| | | | Fiddle 50 Front drum model | 99-09 | F | | | |
| | | | Fiddle 50 Front disc model | 08-11 | R | | | |
| | | | Mi0 50 | 05-11 | R | | | |
| | | | Simply 50 | 07-11 | R | | | |
| | | | Symba 110 | 09-11 | R | | | |
| 302 | HONDA STREET BIKE | | | 304/ 304G | HONDA STREET BIKE | | | |
| | Fiddle 50 | 99-08 | R | | MB 5 | 82 | R | |
| | NA 50 Express II | 79-81 | R | | NS 50 F | 90 | R | |
| | NC 50 Express | 81-83 | R | | CB 125 S | 79-82 | F & R | |
| | NB 50/NB 50 M Aero 50 | 83-87 | R | | HONDA DIRT BIKE | | | |
| | NU 50/NU 50 M Urban Express | 82-83 | R | | CR 80 R | 80-81 | F & R | |
| | NX 50 M Express SR | 81-82 | R | | CR 80 R | 82 | F | |
| | SA 50 Elite LX/SR | 88-93 | R | | XL 80 S | 80-85 | F & R | |
| | SE 50/SE 50 P Elite/Elite 50 S | 88-87 | R | | XR 80 | 79-84 | F & R | |
| | NH 80 MD 'Aero' | 83-84 | R | | XL 100 S | 79-85 | F & R | |
| | | | | | XR 100 | 81-84 | F & R | |
| | | | | | XL 125 S | 85 | R | |
| | | | | | NX 125 | 88-90 | R | |
| | | | | | CRF 150 F | 07-09 | R | |
| | | | | | XL 185 S | 79-83 | F & R | |
| | | | | | TLR 200 Reflex | 86-87 | F | |
| | | | TR 200 'Fatcat' | 86-87 | F & R | | | |
| | | | XR 200 R | 80-84 | F & R | | | |
| | | | XR 200 R | 81-02 | F & R | | | |
| | | | XL 200 R | 83-84 | F & R | | | |
| | | | CRF 230 F | 03-11 | R | | | |
| | | | XR 250 R Pro Link | 84-89 | R | | | |
| | | | XR 350 R | 83-85 | R | | | |
| | | | XR 500 R Pro Link | 83-84 | R | | | |
| | | | XR 600 R | 85-90 | R | | | |
| 303/ 303G | HONDA STREET BIKE | | | | | | | |
| | NS 50 F | 90 | F | | | | | |
| | QA 50 K1-K3 | | F & R | | | | | |
| | C 70 Passport | 80-83 | F & R | | | | | |
| | NH 80 MD 'Aero' | 83-84 | F | | | | | |
| | NH 80 'Aero' | 85 | F | | | | | |
| | CH 80 Elite | 85-07 | F | | | | | |
| | CH 125 'Elite' | 84 | F & R | | | | | |
| | CB 125 S | 84-85 | R | | | | | |
| | NH 125 Aero | 84 | F & R | | | | | |
| | CH 150/150 D Elite/Elite Deluxe | 85-87 | F & R | | | | | |
| | HONDA DIRT BIKE ZB 50 | 88 | F & R | | | | | |
| | CT 70 Trail | 77-82 | F & R | | | | | |
| | CT 70 Trail | 91-94 | F & R | | | | | |
| | EZ 90 'CUB' | 91-96 | F & R | | | | | |
| | CT 110 | 80-86 | F & R | | | | | |
| | HONDA ATV TRX 90 Fourtrax | 93-06 | F | | | | | |
| | TRX 90 EX | 07-08 | F | | | | | |
| | TRX 90 X | 09-11 | F | | | | | |
| | ATC* 125 M | 84-87 | F | | | | | |
| | TRX 125 Fourtrax | 85-88 | F | | | | | |
| | ATC* 185 | 80 | F | | | | | |
| | ATC* 185 S | 81-83 | F | | | | | |
| | ATC* 200 | 81-83 | F | | | | | |
| | ATC* 200 E Big Red | 82-83 | F | | | | | |
| | ATC* 200 ES Big Red | 84 | F | | | | | |
| ATC* 200 M | 84-85 | F | | | | | | |
| ATC* 200 S | 84-86 | F | | | | | | |

* - ATC is a Registered Trademark of Honda Motor Corporation

| Part No. | Make/Model | Year | | Part No. | Make/Model | Year | | |
|--|--|----------|--|---------------------------------|----------------------------------|--------------------------|---|--|
| 306/306G | HONDA ATV | | | 313 Contd. | HONDA STREET BIKE Contd. | | | |
| | TRX 90 Fourtrax | 93-06 | R | | CB 450 T 'Hawk' | 82 | R | |
| | TRX 90 EX | 07-08 | R | | CB 450 SC 'Nighthawk' | 82-86 | R | |
| | TRX 90 X | 09-11 | R | | CM 450 E | 82-83 | R | |
| | ATC* 110 | 79-85 | R | | CM 450 C Custom (to CM 001211) | 82 | R | |
| | ATC* 125 M | 84-87 | R | | CM 450 C Custom (from CM 001212) | 82 | R | |
| | TRX 125 Fourtrax | 85-88 | R | | CM 450 A Hondamatic | 82 | R | |
| | ATC* 185 | 80 | R | | CM 450 A Hondamatic | 83 | R | |
| | ATC* 185 S | 81-83 | R | | CMX 450 C Rebel | 86-87 | R | |
| | ATC* 200 | 81-83 | R | | VT 500 C 'Shadow' | 83-86 | R | |
| | ATC* 200 E Big Red | 82-83 | R | | VT 500 FT 'Ascot' | 83-84 | R | |
| | ATC* 200 ES Big Red | 84 | R | | CB 550 SC 'Nighthawk' | 83 | R | |
| | ATC* 200 M | 84-85 | R | | | | | |
| | ATC* 200 S | 84-86 | R | | 314/314G | HONDA STREET BIKE | | |
| | TRX 200 Fourtrax | 84/90-91 | R | | CB 350 K2/K3/K4 | | F | |
| | TRX 200 SX Fourtrax | 86-88 | R | | CB 360 | | F | |
| | TRX 200 D "Type II" Fourtrax | 91-97 | R | | CJ 360 T/76/77 | 76-77 | F | |
| | 200 Phoenix | 06-10 | R | | CB 400 T/MK 1 Hawk | 78-79 | F | |
| | ATC* 250 R | 81 | R | | CM 400 E | 80-81 | F | |
| | ATC* 250 ES Big Red | 85-87 | F | | CM 450 E | 82-83 | F | |
| | ATC* 250 SX | 85-87 | F | | | | | |
| FL 250 Odyssey | 77-84 | R | 315/315G | HONDA ATV | | | | |
| * - ATC is a Registered Trademark of Honda Motor Corporation | | | ATC* 250 ES Big Red | 85-87 | R | | | |
| POLARIS Phoenix 200 | 05-11 | R | ATC* 250 SX | 85-87 | R | | | |
| Sawtooth | 06-07 | R | TRX 250 'Fourtrax' | 85-87 | R | | | |
| | | | TRX 300 (2WD & 4WD FW 'Fourtrax') | 88-00 | R | | | |
| | | | * - ATC is a Registered Trademark of Honda Motor Corporation | | | | | |
| 307/307G | ARCTIC CAT | | | HONDA STREET BIKE | | | | |
| | 90-Y12 Youth (2T) | 02-04 | R | CB 350 F/F1/G | | R | | |
| | 90-Y12 Youth (4T) | 04-05 | R | CB 350 K2/K3/K4 | | R | | |
| | CAN AM | | | CB 360 G/T/T76 | 74-76 | R | | |
| | DS 90 Mini 4 Stroke (3C7A) | 07-11 | R | CB 360 | | R | | |
| | KYMCO | | | CJ 360 T/76/77 | 76-77 | R | | |
| | MXER 50 Mongoose (2T) | 04-07 | R | CB 400 F | 75-77 | R | | |
| | POLARIS | | | | | | | |
| | 50 Outlaw | 08-11 | R | 316/316G | HONDA STREET BIKE | | | |
| | Predator 50 (2 stroke) | 04-06 | R | CB 450 K3-K7 | 70-74 | R | | |
| | Scrambler 50 | 01-02 | R | CB 500 K1/K2 | | R | | |
| | Scrambler 90/90 X | 01-03 | R | CB 500 T/76 | 75-76 | R | | |
| | Sportsman 90 | 01-11 | R | CB 550 F | 75-77 | R | | |
| | Predator 90 | 03-06 | R | CB 550 K1/76 | 74-78 | R | | |
| | Outlaw 90 | 07-11 | R | | | | | |
| 309 | HONDA STREET BIKE | | | 318/318G | HONDA STREET BIKE | | | |
| | VTR 250 Interceptor | 88-90 | R | CMX 250 C 'Rebel' | 96/97/99-11 | R | | |
| | | | | CMX 250 C2 | 99-00 | R | | |
| 310/310G | HONDA STREET BIKE | | | HONDA DIRT BIKE | | | | |
| | CB 125 TT | 90 | R | XL 250 S | 81 | R | | |
| | CM 200 T 'Twinstar' | 80-82 | R | XL 500 S | 79-81 | R | | |
| | CM 250 C 'Custom' | 82-83 | R | XL 500 R Pro Link | 82 | R | | |
| | CMX 250 C/CD Rebel | 85-87 | R | XR 500 | 79-80 | R | | |
| | CB 250 Nighthawk | 91-08 | R | XR 500 R Pro Link | 81-82 | R | | |
| | HONDA ATV | | | XL 600 R | 83-87 | R | | |
| | ATC* 70 | 78-85 | R | XL 600 V Transalp | 89-90 | R | | |
| | * - ATC is a Registered Trademark of Honda Motor Corporation | | | NX 650 | 88-89 | R | | |
| 312/312G | HONDA STREET BIKE | | | 319/319G | HONDA DIRT BIKE | | | |
| | CM 200 T 'Twinstar' | 80-82 | F | CR 250 R | 81 | R | | |
| | CM 250 C 'Custom' | 82-83 | F | CR 450 R | 81 | R | | |
| | CB 250 Nighthawk | 91-08 | F | | | | | |
| | HONDA DIRT BIKE | | | 320 | HONDA STREET BIKE | | | |
| | XL 250 S | 78-81 | F | CB 650 | 79-81 | R | | |
| | XR 250 | 79-80 | F | CB 650 C Custom | 80-81 | R | | |
| | XL 500 S | 79-81 | F | CB 650 | 82 | R | | |
| | | | | CB 650 SC 'Nighthawk' | 82 | R | | |
| 313 | HONDA STREET BIKE | | | CB 750 A Hondamatic | 76-78 | R | | |
| | CB 250 N/T | | R | CB 750 C Custom | 80-82 | R | | |
| | CM 250 T | | R | CB 750 C (from frame CM 204182) | 82 | R | | |
| | CB 400 A 'Hondamatic' | 78 | R | CB 750 K1-76 | 70-76 | R | | |
| | CB 400 Mk I/2 'Hawk' | 78-79 | R | CB 750 K | 77-78 | R | | |
| | CB 400 T Hawk | 80-81 | R | CB 750 K | 79-82 | R | | |
| | CM 400 A/T | 79-81 | R | CB 750 L Limited Edition | 79 | R | | |
| | CM 400 C Custom | 81 | R | CB 750 SC Nighthawk | 82-83 | R | | |
| | CM 400 E | 80-81 | R | | | | | |

| Part No. | Make/Model | Year | | Part No. | Make/Model | Year | |
|--------------------------|--------------------------------|-------|-----------------------|-----------------------|-----------------------------------|----------|-------|
| 321 | HONDA STREET BIKE | | | 330/ 330G | HONDA STREET BIKE | | |
| | CX 500 | 78-79 | R | | CB 125 S | 84-85 | F |
| | CX 500 C Custom | 79-82 | R | | CH 250 Elite | 85-90 | F |
| | CX 500 D Deluxe | 79-81 | R | | HONDA DIRT BIKE | | |
| | GL 500 Silverwing | 81-82 | R | | CR 125 R | 82 | F & R |
| | GL 500 I Silverwing Interstate | 81-82 | R | | CR 125 R | 79-81 | R |
| | VF 500 C 'V30 Magna' | 84-85 | R | | XL 125 S | 85 | F |
| | VLX 600 Shadow (VT 600 C/CD) | 88-93 | R | | CR 250 R | 82 | R |
| | VT 600 C/CD/CD2 Shadow | | | | XL 250 R Pro Link | 82-87 | F |
| | VLX/Deluxe | 94-07 | R | | CR 480 R | 82 | R |
| | CB 650 SC 'Nighthawk' | 83-85 | R | | HONDA ATV | | |
| | CX 650 C 'Custom' | 83 | R | | TRX 70 Fourtrax | 86-87 | R |
| | GL 650 Silverwing/ | | | | * - ATC is a Registered Trademark | | |
| | GL 650 Silverwing Interstate | 83 | R | | of Honda Motor Corporation | | |
| | VF 700 C 'Magna' | 84 | R | | BOMBARDIER ATV | | |
| | VF 700 'S' Sabre | 84-85 | R | | DS 50 (2 stroke) | 02-06 | R |
| | VT 700 C 'Shadow' | 84-85 | R | | Quest 50 | 03-04 | R |
| | VF 750 C 'V45 Magna' | 82-83 | R | | DS 90 (2/4 stroke) | 02-06 | R |
| | VF 750 S 'Sabre' | 82-83 | R | | Quest 90 (2/4 stroke) | 03-04 | R |
| | VT 750 C 'Shadow' | 83 | R | | E-TON QUADS | | |
| CB 750 Nighthawk | 91-03 | R | IXL 40 Rascal | 98-01 | R | | |
| KYMCO | | | RXL-40 E Viper Junior | 01-06 | R | | |
| Venox 250 | 03-07 | R | Viper 40 E | 99-08 | R | | |
| 322 | HONDA STREET BIKE | | | AXL 90 Thunder | 99-00 | R | |
| | PA 50 | 78-81 | R | DXL-90 Sierra | 99-03 | R | |
| | KTM | | | NXL 90 Thunder | 01-02 | R | |
| | 50 SX/SXR Pro Junior/Senior | | | YXL 150 Yukon | 00-02 | R | |
| | /Adventure | 96-07 | F & R | Yukon ELX 150 | 05-06 | R | |
| | 50 SX Mini Adventure | 04-05 | F & R | Viper EXL 150 ST Quad | 05-06 | R | |
| 50 SX Pro Senior LC | 02-03 | R | EXL 150 Yukon ST | 05-06 | R | | |
| 50 SX Pro Senior LC/Mini | | | | | | | |
| Senior Adventure | 02-07 | R | | | | | |
| SX 50 Junior LC | 07-09 | R | | | | | |
| 323/ 323G | HONDA DIRT BIKE | | | 331/ 331G | HONDA DIRT BIKE | | |
| | XL 250 S | 78-80 | R | | CR 125 R | 83 | F & R |
| | XL 250 R Pro Link | 82-87 | R | | CR 125 R | 84-85 | R |
| | XR 250 | 79-80 | R | | CR 250 R | 83-85 | R |
| | XR 250 R Pro Link | 81-82 | R | | XR 350 R | 83 | F |
| NX 250 | 88-90 | R | CR 480 R | 83 | R | | |
| XL 350 R | 84-85 | R | CR 500 R | 84-85 | R | | |
| 324/ 324G | HONDA DIRT BIKE | | | 332/ 332G | HONDA DIRT BIKE | | |
| | CR 125 R | 79-81 | F | | XL 500 R Pro Link | 82 | F |
| | CR 250 R | 78-80 | F | | | | |
| XR 500 | 79-80 | F | | | | | |
| 325/ 325G | HONDA DIRT BIKE | | | 333/ 333G | HONDA STREET BIKE | | |
| | CR 250 R | 78-80 | R | | CHF 50/50 P/S Metropolitan | | |
| 327/ 327G | HONDA DIRT BIKE | | | | /Metropolitan II/Jazz | 02-11 | F & R |
| | CR 250 R | 81- | F | | NPS 50/50 S Ruckus | 03-09/11 | F & R |
| | XR 250 R Pro Link | 81-82 | F | | NU 50/NU 50 M Urban Express | 82-83 | F |
| | CR 450 R | 81 | F | | SA 50 Elite SR/SA 50 P Elite S | 94-01 | F & R |
| | CR 480 R | 82 | F | | CH 80 Elite | 85-07 | R |
| XR 500 R Pro Link | 81-82 | F | NH 80 Aero | | 85 | R | |
| 328/ 328G | HONDA DIRT BIKE | | | | HONDA DIRT BIKE | | |
| | CR 250 R | 82-83 | F | | CR 60 R | 83-84 | F & R |
| CR 480 R | 83 | F | CRF 70 F | 04-09/11 | F & R | | |
| | | | | XR 70 R | 97-03 | F & R | |
| | | | | CRF 80 F | 04-09/11 | F & R | |
| | | | | CR 80 R | 82 | R | |
| | | | | CR 80 R | 83-84 | F & R | |
| | | | | CR 80 R | 85 | F | |
| | | | | XR 80 R | 85-03 | F & R | |
| | | | | CRF 100 F | 04-09/11 | F & R | |
| | | | | XR 100 R | 85-03 | F & R | |
| | | | | TLR 200 Reflex | 86-87 | R | |
| | | | | SYM | | | |
| | | | | DD 50 | 02-08 | R | |

| Part No. | Make/Model | Year | | Part No. | Make/Model | Year | | |
|---|-----------------------------|-------|------------------------------|---------------------------------|---|------------------------|---|--|
| 338/ 338G | HONDA DIRT BIKE | | | 343/ 343G Contd. | HONDA ATV | | | |
| | CR 80 R | 85-91 | R | | TRX 500 FPA9 Fourtrax Foreman Rubicon Gpscape with EPS | 09/11 | R | |
| | E-TON QUADS | | | | TRX 500 TM5/TM6 Fourtrax Foreman 2x4 | 05-06 | R | |
| | AXL 50 Lightning 50 | 99-00 | F | | TRX 500 FPE Fourtrax Foreman 4x4 ES/EP | 08-10 | R | |
| | BXL 50 Draco | 05-06 | F | | VT 750 T Shadow Tourer | 09 | R | |
| | NXL 50 Lightning 50 | 01-02 | F | | VT 750 C/CA Shadow Aero | 04-07 | R | |
| | RXL-50M Viper (4T) | | F | | VT 750 DC Shadow Spirit | 01-02 | R | |
| | TXL 50 Wizz 50 | 98-99 | F | | VT 750 DCA/DCB Shadow Spirit | 03-07 | R | |
| | Viper 70 RLX 70/70M | 05-09 | F | | VT 750 C/C2F Shadow Spirit | 08-11 | R | |
| | AXL 90 Thunder | 99-00 | F | | | | | |
| | NXL 90 Thunder | 01-02 | F | | | | | |
| | RXL 90 Viper 90 | 03-06 | F | | | | | |
| | RXL 90 R Viper 90 R Reverse | 03-09 | F | | | | | |
| | BXL 100 Draco | 05-06 | F | | | | | |
| | KAWASAKI ATV | | | | 344/ 344G | HONDA DIRT BIKE | | |
| | KXF 50 (KSF 50 B7F/B8F/B9F) | 07-09 | F | | CR 125 R | 86 | R | |
| KXF 90 (KSF 90 A7F/A8F/A9F/AAF/ABF) | 07-11 | F | CR 250 R | 86 | R | | | |
| POLARIS | | | CR 500 R | 86 | R | | | |
| 50 Scrambler | 01-02 | F | | | | | | |
| 50 Outlaw | 08-11 | F | | | | | | |
| Predator 50 (2 stroke) | 04-06 | F | 345/ 345G | HONDA ATV | | | | |
| 90 X Scrambler | 01-03 | F | TRX 200 SX 'Fourtrax' | 86-88 | F | | | |
| 90 Sportsman | 01-11 | F | TRX 200 'Fourtrax' | 90-91 | F | | | |
| Predator 90 | 03-06 | F | TRX 200 D Type II 'Fourtrax' | 91-97 | F | | | |
| Outlaw 90 | 07-11 | F | TRX 250 TE/TEA Recon ES | 97-09/11 | F | | | |
| | | | TRX 250 TM/TMA Recon | 97-09/11 | F | | | |
| | | | TRX 300 (2WD) | 88-00 | F | | | |
| 339/ 339G | HONDA ATV | | | 346/ 346G | HONDA ATV | | | |
| TRX 200 'Fourtrax' | 84 | F | TRX 70 Fourtrax | 86-87 | F | | | |
| TRX 250 'Fourtrax' | 85-87 | F | ARCTIC CAT | | | | | |
| FL 350 R Odyssey | 85-87 | F | 50-Y6 Youth (2T) | 04-05 | F | | | |
| FL 400 R Pilot | 89-90 | F | 50 DVX (4T) | 06-08 | F | | | |
| | | | 50 Utility | 06-08 | F | | | |
| 340/ 340G | HONDA STREET BIKE | | | 90-Y12 Youth (2T) | 02-04 | F | | |
| GB 500 | 89-90 | R | | 90-Y12 Youth (4T) | 04-05 | F | | |
| HONDA ATV | | | | 90 DVX | 06-11 | F | | |
| TRX 250 EX Sportrax 250 EX | 01-08 | R | | 90 Utility (2x4) | 06-11 | F | | |
| TRX 250 X | 08-09/11 | R | | 150 Utility 2x4 | 09-11 | F | | |
| TRX 250 TE/TEA Recon ES | 97-09/11 | R | | BOMBARDIER ATV | | | | |
| TRX 250 TM/TMA Recon | 97-09/11 | R | | DS 50 (2 strokes) | 02-06 | F | | |
| | | | | Quest 50 | 03-04 | F | | |
| 341 | HONDA STREET BIKE | | | DS 90 (2/4 stroke) | 02-06 | F | | |
| CH 250 'Elite' | 85-86 | R | | Quest 90 (2/4 stroke) | 03-04 | F | | |
| | | | | CAN AM | | | | |
| 342/ 342G | HONDA ATV | | | DS 90 Mini 4 Stroke (3C7A) | 07-11 | F | | |
| TRX 350/TRX 350 D Fourtrax Foreman | 86-89 | F | | KYMCO | | | | |
| | | | | MXer 50 Mongoose (2T) | 02-07 | F | | |
| | | | | Mongoose 70 (4T) | 07-09 | F | | |
| | | | | MXer 90 Mongoose | 02-11 | F | | |
| 343/ 343G | HONDA STREET BIKE | | | 347/ 347G | HONDA ATV | | | |
| CB 700 SC/S 'Nighthawk' | 84-86 | R | | TRX 300 FW Fourtrax (4WD) | 88-00 | F | | |
| VF 700 C 'Magna' | 85-87 | R | | TRX 350 TE/FE | 00-06 | F | | |
| VT 700 C 'Shadow' | 86-87 | R | | TRX 350 TM/FM | 00-06 | F | | |
| VF 750 C Magna/Magna Deluxe CD/C2 | 94-03 | R | | TRX 400 FW Fourtrax Foreman | 95-00/03 | F | | |
| VF 750 C V45 Magna | 88 | R | | TRX 400 FM Fourtrax Foreman | 02 | F | | |
| VT 750 DC/DCA/DCB Shadow Spirit | 01-08 | R | | TRX 400 FGA/FA | 04-07 | F | | |
| VT 750 C/CD/CD2 | 98-02 | R | | TRX 450 FE | 02-04 | F | | |
| VT 750 CDA/CDB/CDC/CDD | 02-03 | R | | TRX 450 FM | 02-04 | F | | |
| VT 750 C2/C2F Shadow Spirit | 07-10 | R | | TRX 500 FA Foreman Rubicon | 01-04 | F | | |
| VT 750 RS Shadow | 10-11 | R | | TRX 500 FGA | 04- | F | | |
| VT 750 Shadow Aero | 08-11 | R | | TRX 650 FA Rincon | 03-05 | F | | |
| VT 750 Shadow Phantom | 10-11 | R | | TRX 650 FGA | 04-05 | F | | |
| PC 800 Pacific Coast | 89-90/94-99 | R | | | | | | |
| VT 800 C Shadow | 88 | R | | 347S/ 347SG | HONDA ATV | | | |
| VT 1100 C Shadow/Shadow Spirit | 85-07 | R | | TRX 450 ES | 98-01 | F | | |
| | | | | TRX 450 S | 98-01 | F | | |
| HONDA ATV | | | | 350 | HONDA STREET BIKE | | | |
| TRX 350/TRX 350/ D Fourtrax Foreman | 86-89 | R | | CH 250 ELITE | 87-90 | R | | |
| TRX 500 FA/FAA Fourtrax Foreman Rubicon | 01-11 | R | | CN 250 HELIX | 86-01/05-07 | R | | |
| TRX 500 FGA Fourtrax Foreman Rubicon Gpscape | 04-08 | R | | HONDA DIRT BIKE | | | | |
| TRX 500 FE/FA Fourtrax Foreman 4x4/ES | 05-08 | R | | NX 125 | 88-90 | F | | |
| TRX 500 FM/FMA Fourtrax Foreman 4x4 | 05-10 | R | | ITALJET | | | | |
| | | | | Velocifero 50 | 98-03 | F | | |

All part numbers, prefixes and suffixes shown in this catalog are unique and form a registered copyright as the property of EBC Brakes and its UK trademark owners

| Part No. | Make/Model | Year | | Part No. | Make/Model | Year | |
|----------------------|---|-------------|------------------------------------|---|-------------------------------------|----------|-------|
| 351/351G | HONDA ATV | | | 503/ 503G Contd. | YAMAHA DIRT BIKE Contd. | | |
| | TRX 350 TE/FE | 00-06 | R | | DT 100 K | 83 | F & R |
| | TRX 350 TM/FM | 00-06 | R | | MX 100 K | 83 | F & R |
| | TRX 400 FW Fourtrax Foreman | 95-01/03 | R | | RT 100 A/D/E/F/G/H/J/K/L/M | 91-00 | F & R |
| | TRX 400 FM Fourtrax Foreman | 02 | R | | YZ 100 J/K | 82-83 | F |
| | TRX 400 FGA/FA | 04-07 | R | | TT-R 110 EX/EY/EA | 08-09/11 | F |
| | TRX 420 TM7/TM8/TM9 | | | | TTR 125 M/N/P/R/ER/S/ES/ET | | |
| | Fourtrax Rancher | 07-10 | R | | /EV/EW/EX/EY | 00-09 | F & R |
| | TRX 420 TE Fourtrax Rancher ES | 07-10 | R | | TTR 125 LWM/LN/LP/LER/LR/LES/LS/LET | | |
| | TRX 420 FM | | | | /LT/LEV/LV/LW/LEW/LX/LEX/LEY/LEA | 00-09/11 | R |
| | Fourtrax Rancher 4x4 | 07-10 | R | | XT 125 J/K/KC | 82-83 | R |
| | TRX 420 FPE Fourtrax Rancher | | | | BW 200 N/S/ES/ET/EU | 85-87 | F & R |
| | 4x4 ES/EPS | 09-10 | R | | XT 200 J/K/KC | 82-83 | R |
| | TRX 420 FE | | | | TW 200 T/TC/U/UC/W/WC/A/AC/B/BC | | |
| | Fourtrax Rancher 4x4/ES | 07-10 | R | | /D/DC/E/EC/F/FC/G/GC/H/HC/J/JC | | |
| | TRX 420 FPM Fourtrax | | | | /EK/ECK/L/LC/M/MC/N/NC/P/PC/R/RC | | |
| | Rancher 4x4 PS | 09-10 | R | | /S/SC/T/TC/N/NC/W/WC/X/Y/Z/A | 87-11 | R |
| | TRX 500 FE Fourtrax | | | | TT 225 S/T | 86-87 | R |
| | Foreman 4x4 EPS | 07-10 | R | | XT 225 D/DC/E/EC/F/FC/G/GC/F | | |
| | TRX 500 FPM Fourtrax | | | | /FH/J/JC/K/KC/L/M/MC/N/NC/P | | |
| Foreman 4x4/EPS | 09-10 | R | /PC/R/RC/S/SC/T/TC/N/VC/W/WC | 93-07 | R | | |
| TRX 500 FPE Fourtrax | | | YAMAHA ATV | | | | |
| Foreman 4x4 ES/EPS | 08-10 | R | YFM 50 S/T/RV/RW/RX Raptor | 04-08 | F | | |
| TRX 450 ES | 98-01 | R | YFM 80 D/E/F/G/H/J/K/L/M/N | 92-01 | F | | |
| TRX 450 S | 98-01 | R | YFM 80 WP/WR/WS/RT/RV/RW/RX Raptor | 02-08 | F | | |
| TRX 450 FE | 02-04 | R | YFM 80 GT/GV/GW/GX Grizzly | 05-08 | F | | |
| TRX 450 FM | 02-04 | R | YFM 100 W/A/B Champ | 89-91 | F | | |
| HONDA STREET | | | YFM 125 S/GT/GHT/GV/GW/GX/ | | | | |
| PS 250 Big Ruckus | 05-06 | R | GY/GZ/GA Grizzly | 04-11 | F | | |
| 352 | HONDA STREET | | | YT 175 J/K 'Tri-Moto' | 82-83 | F | |
| | NHX 110 Elite | 10-11 | R | YFAI D/E/F/G/H/J/K/L/M/N/P/R/S 'Breeze' | 92-04 | F | |
| | PCX 125 | 11 | R | YTM 200 K/L/N 'Tri-Moto' | 83-85 | F | |
| | SH 150 i | 10-11 | R | YTM 200 EK/EL 'Tri-Moto' | 83-84 | F | |
| 501 | YAMAHA STREET BIKE | | | YTM 200 ERN 'Tri-Moto' | 85 | F | |
| | MJ 50 J 'Towny' | 82 | F & R | YFS 200 U/W/A/B/D/E/F/G/H | | | |
| | QT 50 G/2G/H/J/K/L/N/S/T Yamahopper | 80-87 | F & R | /J/K/L/M/N/P 'Blaster' | 88-02 | F | |
| | CA 50 K/L/N/S Riva | 83-86 | F | YFM 200 N 'Moto 4' | 85 | F | |
| | CE 50 ES/ET | 86-87 | F | YFM 200 DXS/DXT/DXU/D/DXW 'Moto 4' | 86-89 | F | |
| | CG 50 EU/W/A/B | 88-91 | F | YTM 225 DXK/DXL/DXN 'Tri-Moto' | 83-85 | F | |
| | SH 50 T/EMT/U/MU/W/MW/ | | | YTM 225 DRN/DRS 'Tri-Moto' | 85-86 | F | |
| | A/MA/B/D/MD/E/F/K/L Razz | 87-94/98-99 | F | YFM 225 S/T/U 'Moto 4' | 86-88 | F | |
| | YAMAHA DIRT BIKE | | | YFB 250 D/E/F Timberwolf | 92-94 | F | |
| | PW 50 H/J/K/N/S/T/A/B/D/E/F/G | | | YFM 350 ERT/ERU 'Moto 4' | 87-88 | F | |
| | /H/J/K/L/M/N/P/R/S/T/V/W/X/Y | 81-09 | F & R | MZ/MUZ | | | |
| | YAMAHA ATV | | | Moskito/SX 50/RX 50 | 97-05 | R | |
| YFM 90 RY Raptor | 09 | F | POLARIS ATV | | | | |
| 502/ 502G | SUZUKI DIRT BIKE | | | Trail Boss (2x4) | 85-87 | F | |
| | RM 80 Z/D/E/F | 82-85 | R | Scrambler (3 wheeler) | 85-86 | F | |
| | RM 80 G/H/J/K | 86-89 | R | Cyclone 250 X | 87 | F | |
| | YAMAHA DIRT BIKE | | | UM (UNITED MOTORS) | | | |
| | YZ 50 G | 80 | F & R | X-Peed 50/Special Edition | 00-05 | R | |
| | YZ 60 H/J/K | 81-83 | F & R | ADLY | | | |
| | BW 80 S/T/U/A | 86-88/90 | F | Noble 50/Thunderbike | 07-09 | R | |
| | PW 80 K/N/B/D/E/F/G/H/J/K/L/M/N/P/R/S/T/V | 83-85/91-08 | F | Panther 50 | 07-08 | R | |
| | YZ 80 G/H/J/K/L/N | 80-85 | F & R | Jet 50 | 07-09 | R | |
| | YZ 80 S/T/U/W/A/B/D | 86-92 | R | Fox 50 | 07-09 | R | |
| | TT-R 90 M/N/P/R/ES/S/ET/EV/EW | 00-07 | F | CPI | | | |
| | TT-R 110 EX/EY/EA | 08-11 | F | Oliver City 50 | 05-09 | R | |
| 503/ 503G | YAMAHA STREET BIKE | | | 504/ 504G | YAMAHA STREET BIKE | | |
| | CW 50 K Riva | 98 | F & R | | LB 50 PG/PH/PJ Chappy | 80-82 | F & R |
| | CW 50 L/TL Zuma/Zuma II | 99 | R | | RX 50 MK/K/L | 83-84 | R |
| | CV 50 L 'Riva' | 84 | F & R | | YAMAHA DIRT BIKE | | |
| | CY 50 D/E/F/K Jog | 92-94/98 | R | | DT 80 H/J | 81-82 | F & R |
| | YSR 50 T/U/W/A/B/D | 87-92 | R | | DT 100 G/H/J | 80-82 | F & R |
| | CV 80 K/L/N/S/T 'Riva' | 83-87 | F & R | | MX 100 G/H/J | 80-82 | F & R |
| | SR 185 H/J | 81-82 | R | | YZ 100 F/G/H | 80-81 | F |
| | YAMAHA DIRT BIKE | | | | IT 125 G/H | 80-81 | F |
| | DT 80 K | 83 | F & R | | MX 175 G/H | 80-81 | F |
| | PW 80 D/E/F/G/H/J/K/L/M/N/P/R/S/T/V | 92-08 | R | | TY 350 N/S | 85-86 | R |
| | TT-R 90 M/N/P/R/ES/S/ET/EV/EW | 00-07 | R | | BW 350 T/U | 87-88 | R |
| | | | UM (UNITED MOTORS) | | | | |
| | | | Zyclone 50 | 04-05 | R | | |

| Part No. | Make/Model | Year | | Part No. | Make/Model | Year | |
|-----------------------|---|-------------------------|--|---|---|---------------------------|---|
| 506/ 506G | YAMAHA DIRT BIKE | | | 511/511G | USE 528/528G | | |
| | YZ 100 F/G/H/J/K | 80-83 | R | 512 | YAMAHA STREET BIKE | | |
| | DT 125 G/H | 80-81 | F & R | | XV 500 K 'Virago' | 83 | R |
| | IT 125 G/H | 80-81 | R | | XS 500 B | 75 | R |
| | XT 125 J/K/KC | 82-83 | F | | XJ 550 H/J/K 'Maxim' | 81-83 | R |
| | DT 175 G/H | 80-81 | F & R | | XZ 550 RJ | 82 | R |
| | IT 175 G/H/J/K | 80-83 | R | | XZ 550 RK | 83 | R |
| | MX 175 G/H | 80-81 | R | | YX 600 S/SC/T/TC/UC/N/W/WC/ A/ACC 'Radian' | 86-90 | R |
| | RT 180 A/B/D | 90-92 | R | | XJ 650 G/H/J/K 'Maxim' | 80-83 | R |
| | TW 200 T/TC/U/UC/W/WC/A/AC/B/BC | 87-89 | F | | XJ 650 LH 'Midnight' | 81 | R |
| | XT 200 J/K/KC | 82-83 | F | | XV 750 H/J/K/MK Virago | 81-83 | R |
| | TT 250 G/H/J | 80-82 | R | | 513 | YAMAHA STREET BIKE | |
| | XT 250 G/H/J/K/KC/L/LC | 80-84 | F & R | XS 400 2G/H | | 80-81 | F |
| | YZ 250 G | 80 | R | XS 400 SJ | | 82 | F |
| | YZ 250 J/K/L/N/S/T | 82-87 | R | 514 | YAMAHA STREET BIKE | | |
| | TT 350 S/T | 86-87 | R | | TX 650 A/XS 650 B/C | 74-76 | R |
| | XT 350 N/NC/S/SC | 85-86 | R | | XS 2/TX 650 | 72-73 | R |
| | XT 350 T/TC/U/UC/W/WC/A | 87-90 | R | XS 650 D/E/F/2F/G/H/SH | 77-81 | R | |
| | YZ 490 K | 83 | R | XS 650 SJ/SK Heritage Special | 82-83 | R | |
| | TT 600 K/L | 83-84 | R | 515 | YAMAHA STREET BIKE | | |
| | TT 600 N/S | 85-86 | R | | XV 535 Virago All Models | 87-99 | R |
| | YZ 125 F/G/H/J | 80-82 | R | | XJ 650 RJ 'Seca' | 82 | R |
| | YZ 125 T | 87 | R | | XJ 650 LK 'Seca' | 83 | R |
| | YAMAHA ATV | | | | XJ 650 LJ 'Seca Turbo' | 82 | R |
| | YFM 80 N/S/T/U | 85-88 | R | | XVS 650 V Star Classic | 98-10 | R |
| | YFAI W/A/B Breeze | 89-91 | R | | XVS 650 V Star Custom | 97-11 | R |
| | YFM 100 T/U Champ | 87-88 | R | | XVS 650 V-Star Silverado | 03-10 | R |
| | YFM 100 W/A/B Champ | 89-91 | R | | XJ 700 N/NC/XN/XNC/ XS/XSC/S/SC | 85-86 | R |
| | YAMAHA STREET BIKE | | | | XV 700 L/LC/N/NC/CS/CT/CTC CSC/SS/SSC/ST/STC | 84-87 | R |
| | XC 125 N/NC/SC/T/TC/U/W/ZS/ZSC/ ZT/ZTC/ZU/ZW/ZA/B/D Riva | 85-92 | R | | TX 750/TX 750 A | 73-74 | R |
| | SR 185 H/J | 81-82 | F | XJ 750 J/K/MK 'Maxim' | 82 | R | |
| | SR 250 G/H/J/TH Exciter I/II | 80-82 | R | XJ 750 RH/RJ/RK 'Seca' | 81-83 | R | |
| | XV 250 U/UC/W/WC/A/AC | 88-90 | R | XV 750 U/UC/W/WC/A/AC/ B/BC/D/DC/E/EC/F/FC/ G/GC/H/HC/J/JC Virago | 88-97 | R | |
| | 507/ 507G | YAMAHA DIRT BIKE | | | XV 920 RH/RJ | 81-82 | R |
| | | YZ 125 F/G/H/J/K | 80-83 | F | XV 920 J 'Virago' | 82 | R |
| | | IT 175 G/H/J/K | 80-83 | F | XV 920 K/MK 'Virago' | 83 | R |
| IT 250 F/G/H/J | | 77-82 | F | XV 1000 L/LC/N/NC | 84-85 | R | |
| TT 250 G/H/J | | 80-82 | F | XV 1100 'All models' | 86-97 | R | |
| YZ 250 G/H | | 80-81 | F | 516/ 516G | YAMAHA STREET BIKE | | |
| IT 425 G | | 80 | F | | XS 400 2G/H | 80-81 | R |
| TT 500 G/H | 80-81 | F | XS 400 SG/SH | | 80-81 | R | |
| 508/ 508G | YAMAHA DIRT BIKE | | | | XS 400 SJ | 82 | R |
| | YZ 125 L | 84 | F | | XS 400 J/K 'Maxim' | 82-83 | R |
| | IT 250 K | 83 | F | | XS 400 RJ/RK | 82-83 | R |
| | YZ 250 J/K/L | 82-84 | F | | XJ 550 RH/RJ/RK 'Seca' | 81-83 | R |
| | IT 465 H/J | 81-82 | F | | YAMAHA ATV | | |
| | YZ 465 G/H | 80-81 | F | | YFM 350 UH/UJ/UK/UL/ULC | 96-99 | R |
| | IT 490 K/L | 83/84 | F | | YFM 350 FWH/FWJ/FWBK | 96-98 | R |
| YZ 490 J/K/L | 82-84 | F | YFM 400 FWE/FWF/FWG/FWH/FWJ /FWK Kodiak | | 93-98 | R | |
| TT 600 K/L | 83-84 | F | YFM 400 FWHM/FWHN/FHP/FP "Big Bear" | 00-02 | R | | |
| 510/ 510G | YAMAHA STREET BIKE | | | YFM 400 FWNM/MC/FWNN/FWHN /FHP/FP/FR/FS Big Bear 4WD | 00-04 | R | |
| | XC 180 K/KC/L/LC/N/NC/ZL/ ZLC/ZN/ZNC/DN/DWC/ Riva | 83-85 | R | YFM 400 NR/NS (2x4) Big Bear | 03-04 | R | |
| | XC 200 T/ZCT/U/W/ZU/ZW/ZA/B Riva | 87-91 | R | YFM 400 FAR Kodiak Auto | 03-04 | R | |
| | SRX 250 T/TC | 87 | R | YFM 400 S Big Bear 4WD | 04 | R | |
| | SR 500 E/F/G/H | 78-81 | R | YFM 400 NM/NMC/NN/NHN/P/HP | 00-02 | R | |
| | YAMAHA DIRT BIKE | | | YFM 600 FWAK/FWAL/LC/FWAM /MC Grizzly | 98-00 | R | |
| | IT 250 H/J | 81-82 | R | YFM 600 HM/HMC "Grizzly Hunting" | 00 | R | |
| | IT 250 K | 83 | R | YFM 600 FWAN/FWAHN | 01 | R | |
| | YZ 250 H | 81 | R | | | | |
| | IT 465 H/J | 81-82 | R | | | | |
| | YZ 465 H | 81 | R | | | | |
| | IT 490 K/L | 83-84 | R | | | | |
| | YZ 490 J | 82 | R | | | | |
| | YZ 490 L | 84 | R | | | | |
| | YZ 490 N/S/T/U/W | 85-89 | R | | | | |
| | XT 500 G/H | 80-81 | R | | | | |
| | XT 550 J/K | 82-83 | F & R | | | | |
| XT 600 L/LC/N/LN/S/SC | 84-86 | R | | | | | |
| XT 600 T/TC/U/UC/W/WC | 87-89 | R | | | | | |

All part numbers, prefixes and suffixes shown in this catalog are unique and form a registered copyright as the property of EBC Brakes and its UK trademark owners

| Part No. | Make/Model | Year | | Part No. | Make/Model | Year | |
|-----------------|---|---|--|-----------------|---|---|---|
| 517/517G | YAMAHA DIRT BIKE YZ 125 K/L/N/S IT 200 L/N IT 200 S TY 350 N/S BW 350 T/U | 83-86 84-85 86 85-86 87-88 | R F & R R F F | 528/528G | YAMAHA ATV YFB 250 D/E/F Timberwolf YFB 250 G/H/UH/J/UJ/K/UK YFB 250 FWF/FWG/FWH/FWJ /FWK/FWL/FWM Timberwolf YFM 250 M/MC Beartracker YFM 250 XN/XHN/XP/XHP/XR /XHR/XS Beartracker YFM 350 ERE/ERF/ERG YFM 350 FWBL/LC YFM 400 FWBL Kodiak YAMAHA STREET BIKE SR 250 G/H/J/TH Exciter I/II YAMAHA DIRT BIKE IT 250 F/G IT 425 G YZ 465 G TT 500 G/H XT 500 G/H YAMAHA ATV YFM 250 W/A/B YFM 350 ERW/ERA/ERD YFP 350 U Terrapro YFUITW Pro Hauler YFUIW Pro Hauler | 92-94 95-98 94-00 00 00-04 93-95 99 99 80-82 77-80 80 80 80-81 80-81 89-91 89-92 88 89 89 | R F&R F & R F & R R F R R R F R R R F F F F |
| 518/518G | YAMAHA STREET BIKE CW 50 W/TA Riva Zuma YAMAHA DIRT BIKE PW 80 K/N/B DT 50 U/W/A (DTL/C) YAMAHA ATV YT 60 L/N 'Tri-Zinger' YF 60 S 'Moto 4' YFM 80 T/U YFM 100 T/U Champ | 89-90 83-85/91 88-90 84-85 86 87-88 87-88 | F & R R F & R R R F F | 530 | YAMAHA STREET BIKE C3 (50cc Scooter) (XF 50 W/X/Y/Z/A) XC 50 V/W/X/Y/Z/A Vino Classic YJ 50 RN/RP/RR/RS Vino YJ 50 RAP/RAR/RAS/RAT Vino Classic 50 YJ 125 S/T/V/W/X/Y Vino | 07-11 06-11 01-04 02-05 04-09 | F & R F & R F & R F & R R |
| 519 | YAMAHA STREET BIKE LC 50 G/H Champ CA 50 K/L/N/S 'Riva' CE 50 ES/ET CG 50 EU/W/A/B SH 50 T/EMT/U/MU/W/MW/ /A/MA/D/MD/E/F/K/L Razz CY 50 D/E/F/K/L Jog YJ 50 RAP/YJ 50 RRP Vino /Vino Classic YAMAHA DIRT BIKE BW 80 S/T/U/A | 80-81 83-86 86-87 88-91 87-94/98-99 92-94/98-99 -02 86/88-90 | F & R R R R R F F R | 531 | YAMAHA STREET BIKE Zuma 50 (YW 50 P/R/S/T/X/Y/Z/A) | 02-05/08-11 | R |
| 520/520G | YAMAHA ATV YMF 350FWT/FWU 'Big Bear' | 87-88 | F | 532/532G | YAMAHA STREET BIKE YFM 250 BT/BV Bruin YFM 250 BW/BX/BY Big Bear YFM 350 FAS/FAT/FAV Bruin 4x4 YFM 350 AS/AT/AV Bruin 2x4 YFM 350 GW/GX/GY/GZ/GA (2WD) Grizzly 2x4 YFM 350 FGW/FGX/FGY/FGZ/FGA Grizzly Auto 4x4 YFM 350 XV/XW/XX/XY Wolverine (2WD) YFM 400 AR/AS Kodiak 2WD YFM 400 FAS Kodiak 4WD YFM 400 FS/FT/FAV Big Bear 4WD YFM 400 FT/FV Big Bear | 05-06 07-09 04-06 04-06 07-11 07-11 06-09 03-04 04 04-06 05-06 | R R R R R R R R R R R |
| 521 | YAMAHA STREET BIKE XC 125 N/NC/SC/T/TC/U/W/ZS/ZSC ZT/ZTC/ZU/ZW/ZB/B/D Riva XC 125 E/F/K Riva XC 180 K/KC/L/LC/N/NC/ZL ZLC/ZN/ZNC/DN/DWC Riva XC 200 T/ZCT/U/W/ZU/ZW/ZB Riva | 85-92 93-94/98 83-85 87-91 | F F F F | 533 | YAMAHA STREET BIKE YW 125 Y/Z/A "Zuma/BW's" | 09-11 | R |
| 523/523G | YAMAHA ATV YFP 350 U Terrapro YFUITW Pro Hauler YFUIW Pro Hauler | 88 89 89 | R R R | 534/534G | YAMAHA STREET BIKE YXP 700 AS/AT/AV Pro Hauler 700 Side x Side YXP 1000 AS/AT Pro Hauler 1000 Side x Side | 04-06 04-05 | R F & R |
| 524/524G | YAMAHA ATV YFM 350 FWW/FWA/FWB/FWD/FWE /FWF/FWG/FWH/FWJ/FWBK Big Bear YFM 350 UH/UJ/UK YFM 400 FWE/FWF/FWG/FWH /FWJ/FWK Kodiak | 89-98 96-98 93-98 | F F F | 536/536G | YAMAHA ATV YFM 90 RY/RZ/RA Raptor | 09-11 | F |
| 527/527G | YAMAHA STREET XC 125 E/F/K Riva XV 250 Virago All models XV 250 V-Star YAMAHA DIRT RT 180 E/G/H/J TW 200 D/DC/E/EC/F/FC/G/GC /H/HC/J/JC/EK/ECK/L/LC/M/MC TT-R 225 L/M/N/P/R/S TT-R 230 T/V/W/X/Y/A XT 350 B/BC/D/E/EC/F/FC/G/GC /H/HC/J/JC/K/KC/L/M YAMAHA ATV YFM 50 S/T/RV/RW/RX Raptor YFM 80 D/E/F/G/H/J/K/L/M/N YFM 80 WP/WR/WS/RT/RV/RW/RX Raptor YFM 80 GT/GV/GW/GX Grizzly YFA1D/E/F/G/H/J/K/L/M/N/P/R/S Breeze YFM 125 S/GT/GHT/GV/GW/GX /GY/GZ/GA Grizzly | 93-94/98 95-07 08-11 93-97 92-00 99-04 05-09/11 91-00 04-08 92-01 02-08 05-08 92-04 04-101 | R R R R F R R R R R R R R R | 601 | SUZUKI STREET BIKE FZ 50 N/T/X/Z/D | 79-83 | F & R |

| Part No. | Make/Model | Year | | Part No. | Make/Model | Year | | | |
|------------------------------|---|-------------|---------------------------|------------------------------|---|-----------------------------|-------|-------|--|
| 602/ 602G | SUZUKI STREET BIKE | | | 603/ 603G | KAWASAKI STREET BIKE | | | | |
| | GN 125 Z/D | 82-83 | F & R | | AR 50 A1 | | 82 | R | |
| | GN 125 EM/EN/EP/ER/ES/ET | 91-96 | R | | AR 80 A1 | | 82 | R | |
| | GN 250 Z/D/F/J | 82-88 | R | | KAWASAKI ATV | | | | |
| | GZ 250 X/Y/K1-K9/L0 Marauder | 99-10 | R | | KLT 110 A1/A2/A3 | | 84-86 | F | |
| | TU 250 XK9/L1 | 09-11 | R | | KLF 110 A1/A2/B1/B2 'Mojave' | | 87-88 | F | |
| | SUZUKI DIRT BIKE | | | | KLT 160 A1 | | 85 | F | |
| | DS 100 C/N/T/X | 78-81 | F & R | | KLT 185 A1/A2 | | 86-87 | F | |
| | TS 100 A/B/C/N/T/X | 76-81 | F & R | | KLT 200 A1/A2/A3/A4/A4A | | 81-83 | F | |
| | DR 125 Z/D | 82-83 | F & R | | KLT 200 B1 | | 83 | F | |
| | DR 125 E | 84 | F & R | | KLT 200 C1/C2 | | 83-84 | F | |
| | DR 125 G/H/J/SER/SES/SET | 86-96 | R | | KLT 250 A1/A2 | | 82-83 | F | |
| | DS 125 N/T/X | 79-81 | F & R | | KLT 250 C1/C2/C3 'Prairie' | | 83-85 | F | |
| | RM 125 N/T | 79-80 | F | | KLT 250 P1 'Police' | | 84 | F | |
| | RM 125 X/Z/D | 81-83 | F | | KAWASAKI DIRT BIKE | | | | |
| | SP 125 Z/D | 82-83 | F & R | | KD 80 M1-M8 | | 80-87 | F & R | |
| | SP 125 G/H/J | 86-88 | R | | KD 80 N1/N2/N3 | | 88-90 | R | |
| | TS 125 T/X | 80-81 | F & R | | KE 100 A5/A6/A7/A8/A9/A10 | | 76-81 | F & R | |
| | PE 175 C/N | 78-79 | F & R | | KE 100 B1-B3/B6-B20 | | 82-01 | F & R | |
| | PE 175 T/X | 80-81 | F | | KM 100 A1/A2/A3/A3A/A4/A6/A7 | | 76-81 | F & R | |
| | RS 175 T/X/Z | 80-82 | F | | KLX 110 (A1/A2/A3/A4/A6F/A7F /A8F/A9F/CAF/DAF/CBF/DBF) | | 02-11 | R | |
| | DS 185 T | 80 | F & R | | SUZUKI DIRT | | | | |
| | TS 185 T/X | 80-81 | F & R | | DR-Z 110 K3/K4/K5 | | 03-05 | R | |
| | DR 200 G/H/J/SET/SEV/SEW/SEX /SEY/SEK1/SEK2/SEK3/SEK4 /SEK5/SEK6/SEK7/SEK8/SEK9 | 86-90/96-09 | R | | 604/ 604G | SUZUKI DIRT BIKE | | | |
| | SP 200 G/H/J | 86-88 | R | | RM 50 C/N/T | | 78-80 | F & R | |
| | DR 250 Z/D | 82-83 | F & R | | RM 50 X | | 81 | F & R | |
| | DR 250 F | 85 | R | | RM 60 N/T | | 79-80 | F & R | |
| | RS 250 T/X | 80-81 | F | | RM 60 X/Z/D | | 81-83 | F & R | |
| | SP 250 Z/D | 82-83 | R | | DS 80 T/X/Z/D/F/G/H/J/K/ L/M/N/P/R/S/T/V/W/X/Y | | 80-00 | F & R | |
| | SP 250 F | 85 | R | | JR 80 K1/K2/K3/K4 | | 01-04 | F & R | |
| | RM 250 A/B/C/C2 | 76-78 | F | | RM 80 T/X | | 80-81 | F & R | |
| | DR 370 C/N | 78-79 | F | | RM 100 N/T/X | | 79-81 | F | |
| | RM 370 A/B | 76-77 | F | | DR 100 D/E/F/G/H/J/K/L | | 83-90 | F & R | |
| | DR 400 T | 80 | F | | SP 100 D | | 83 | R | |
| | RM 400 C | 78 | F | | DR-Z 125 K3/K4/K5/K6/K7 /K8/K9 | | 03-11 | F & R | |
| | RM 465 X/Z | 81-82 | R | | DR-Z 125 LK3/LK4/LK5/LK6/LK7 /LK8/LK9 | | 03-10 | R | |
| | DR 500 X/Z/D | 81-83 | F | | SUZUKI ATV | | | | |
| | SP 600 F | 85-87 | R | | LT-A 50 K2/K3/K4/K5 | | 02-05 | R | |
| | KAWASAKI DIRT BIKE | | | | LT-Z 50 K6/K7/K8/K9/ZK9 | | 06-11 | R | |
| | KE 125 A3-A10 | 76-83 | R | | LT-Z 90 K7/K8/K9/ZK9 QuadSport | | 07-11 | F | |
| | HYOSUNG | | | | SUZUKI STREET BIKE | | | | |
| | RX 125 | 06-08 | R | | OR 50 T | | 80 | F & R | |
| | U.M STREET | | | | GSXR 50 (RB 50 H) | | 87 | R | |
| | V2C-250T | 06 | R | | KAWASAKI DIRT | | | | |
| | KAWASAKI STREET BIKE | | | | KLX 125 A1/A2/A3/A6F | | 03-06 | F & R | |
| | BN 125 A4-A8/A6F/A7F/A9F | 01-09 | R | | KLX 125 L (B1/B2/B3/B6F) | | 03-06 | R | |
| | KZ 250 D1 (LTD)/D2(CSR) | 80-81 | R | | KAWASAKI ATV | | | | |
| | KZ 250 L1 (CSR) | 82 | R | | KSF 50 A1/A2/A3 (KFX 50) | | 03-05 | R | |
| | KZ 250 W1 (LTD) | 83 | R | | 605/ 605G | KAWASAKI STREET BIKE | | | |
| | KAWASAKI DIRT BIKE | | | | KZ 250 D1 (LTD) D2 (CSR) | | 80-81 | F | |
| KX 125 A/A3/A4/A5/A6/A7 | 74-81 | R | KZ 250 L1 (CSR) | | 82 | F | | | |
| KX 125 B1 | 82 | R | KZ 250 W1 (LTD) | | 83 | F | | | |
| KDX 175 A1/A2/A3 | 80-82 | R | KAWASAKI DIRT BIKE | | | | | | |
| KDX 250 B3/B4 | 83-84 | R | KDX 250 A1/B1/B2 | | 80-82 | R | | | |
| KLX 250 A1/A2 | 79-80 | R | KL 250 A1/A1A/A2 | | 78-80 | R | | | |
| KX 250 B1 | 82 | R | KX 250 A6/A7 | | 80-81 | R | | | |
| KX 250 C1/C2/D1 | 83-85 | R | KDX 400 A1/A2 | | 79-80 | R | | | |
| KX 500 A1/A2/B1 | 83-85 | R | KDX 420 B1 | | 81 | R | | | |
| KL 600 A1/B1/B2 (KLR) | 84-86 | R | KX 420 A1/A2 | | 80-81 | R | | | |
| KAWASAKI ATV | | | KDX 450 A1 | | 82 | R | | | |
| KLF 110 A1/A2/B1/B2 'Mojave' | 87-88 | R | SUZUKI DIRT BIKE | | | | | | |
| KLT 110 A1/A2/A3 | 84-86 | R | DS 250 T | | 80 | F & R | | | |
| KLT 160 A1 | 85 | R | PE 250 B/C/N/T/X | | 77-81 | F & R | | | |
| KLT 185 A1/A2 | 86-87 | R | RS 250 T/X | | 80-81 | R | | | |
| 602A/AG | USE 602/602G | | | TS 250 R/J/K/L/M/A/B/C/N/T/X | | 71-81 | F & R | | |
| | | | | RM 250 A/B/C/C2 | | 76-78 | R | | |
| | | | | RM 250 N | | 79 | F | | |
| | | | | DR 370 C/N | | 78-79 | F & R | | |

| Part No. | Make/Model | Year | | Part No. | Make/Model | Year | | | |
|--|--|-------------|-------------------------------|------------------------------|-------------------------------|---------------------------------|----------------------------------|-------|-------|
| 605 605G Contd. | SUZUKI DIRT BIKE | | | 612 | SUZUKI STREET BIKE | | | | |
| | RM 370 A/B | 76-77 | R | | GS 300 LF | 85 | F | | |
| | SP 370 C/N | 78-79 | F & R | | GS 450 TXD | 83 | F | | |
| | DR 400 T | 80 | R | | 613/ 613G | SUZUKI DIRT BIKE | | | |
| | SP 400 T | 80 | F & R | | | JR 50 C/N/T/X/Z/RD/F/G//H/J/K/L | 78-06 | F & R | |
| | PE 400 T/X | 80-81 | F & R | | | /M/N/P/R/V/W/X/Y/K1-K6 | | | |
| | RM 400 C | 78 | R | | | SUZUKI ATV | | | |
| | RM 400 N | 79 | F | | | LT 50 E/F/G/H | 84-87 | R | |
| | TS 400 J/K/L/M/A/B | 72-77 | F & R | | | ALT 50 D/E | 83-84 | R | |
| | DR 500 X/Z/D | 81-83 | R | | | KAWASAKI DIRT | | | |
| | SP 500 X/Z/D | 81-83 | F & R | | | KDX 50 A1/A2/A3/A6F | 03-06 | F & R | |
| | SUZUKI ATV | | | | | 614/ 614G | SUZUKI STREET BIKE | | |
| | ALT 125 E/F/G | 84-86 | R | | | | FA 50 T/X/MX/Z/D/E/F/G/H/J/K/L/M | 80-91 | F & R |
| | LT 125 E | 84 | R | | FS 50 T/X | | 80-81 | F & R | |
| | LT 160 EK/EL/EM/EN | 89-92 | R | | SUZUKI ATV | | | | |
| | LT-F 160 M/N/P/R/S/T/V/W/X/Y/K1/K3 | 91-01/03 | R | | LT-A 50 K2-K5 QuadSport | | 02-05 | F | |
| | LT 160 K3/K4 | 03-04 | R | | LT-Z 50 K6/K7/K8/K9/ZK9 | | 06-11 | F | |
| ALT 185 F | 85 | R | LT 80 H/J/K/L/M/N/P/R/S/T/V/W | 87-06 | F | | | | |
| LT 185 E/F/G/H | 84-86 | R | /X/Y/K1/K2/K3/K4/K5/K6 | | | | | | |
| LT 230 GEF/GEG | 85-86 | R | KAWASAKI ATV | | | | | | |
| LT-F 230 G/H | 86-87 | R | KSF 50 A1/A2/A3 (KFX 50) | 03-05 | F | | | | |
| 606 606G | SUZUKI STREET BIKE | | | KSF 80 A1/A2/A3/A6F (KFX 80) | 03-06 | F | | | |
| | GS 250 TT/TX | 80-81 | R | E-TON QUADS | | | | | |
| | GS 300 LZ/LD | 82-83 | R | DXL-90 Sierra | 99-03 | F | | | |
| | GS 300 LF | 85 | R | 615/ 615G | SUZUKI DIRT BIKE | | | | |
| | GN 400 T/XT/XX/TX/TZ | 80-82 | R | | RM 80 Z/D/E/F | 82-85 | F | | |
| | GS 450 ET/ST/EX/SX/EZ/ED | 80-83 | R | | 616/ 616G | SUZUKI DIRT BIKE | | | |
| | GS 450 GAZ/GAD/GAF | 82-85 | R | RM 125 X/Z/D/E/F/G/H | | 81-87 | R | | |
| | GS 450 LT/LX/LZ/LD/LF/LG/LH/LJ | 80-88 | R | RM 250 X/Z/D | | 81-83 | R | | |
| | GS 450 TX/TZ | 81-82 | R | 617/ 617G | SUZUKI DIRT BIKE | | | | |
| | GS 450 TXD | 83 | R | | SP 100 D | 83 | F | | |
| | GS 550 LD/LF/LG | 83-86 | R | | RM 100 N/T/X | 79-81 | R | | |
| | LS 650 FG/PG/PH/FH/PJ//PS/PT/PV | | | RM 125 N/T | 79-80 | R | | | |
| | /PW/PX/PY/PK1/PK2/PK3/PK4 Savage | 86-88/95-04 | R | RS 175 T/X/Z | 80-82 | R | | | |
| | LS 650 K5/K6/K7/K8/K9/L1 S40 Boulevard | 05-11 | R | 618/ 618G | SUZUKI DIRT BIKE | | | | |
| | GR 650 D/XD Tempter | 83 | R | | PE 175 Z/D/E | 82-84 | F | | |
| | SUZUKI ATV | | | | RM 250 T | 80 | F | | |
| | LT-A 400 | 08-09 | R | | RM 250 E/F/G | 84-86 | R | | |
| | LT-F 400 | 08-09 | R | | RM 400 T | 80- | F | | |
| | LT-A 400 FK2/FK3/FK4/FK5/FK6 | | | | RM 500 D/E | 83-84 | R | | |
| | /FCK5/FCK6/FK7/FK8/FLO | 02-10 | R | | SUZUKI ATV | | | | |
| | LT-A 400 FL1 King Quad 400 ASi | 11 | R | | LT 80 H/J/K/L/M/N/P/R/S/T/V/W | 87-06 | R | | |
| | LT-A 400 FCL1 King Quad 400 ASi Camo | 11 | R | | /X/Y/K1/K2/K3/K4/K5/K6 | 07-11 | R | | |
| | LT-A 400 K2/K3/K4/K6 | 02-04/06 | R | | LT-Z 90 K7/K8/K9/ZK9 | | | | |
| | LT-A 400 FK8 Kingquad | | | KAWASAKI ATV | | | | | |
| | Auto 4WD | 08 | R | KSF 80 A1/A2/A3/A6F (KFX 80) | 03-06 | R | | | |
| | LT-A 400 K8 Kingquad Auto 2WD | 08 | R | 619/ 619G | SUZUKI DIRT BIKE | | | | |
| | LT-F 400 FK2/FK3/FK4/FK5/FK6 | | | | PE 175 T/X/Z/D/E | 80-84 | R | | |
| | /FCK5/FCK6/FCK7/K8 | 02-08 | R | | 620/ 620G | SUZUKI DIRT BIKE | | | |
| LT-F 4WD V/W Quadrunner | | | SP 250 Z/D | 82-83 | | F | | | |
| 4WD (250cc) | 97-98 | R | RM 250 N/T | 79-80 | | R | | | |
| LT-F 400 K2 Eiger Manual 2WD | 02 | R | RM 400 N/T | 79- | R | | | | |
| LT-F 400 K3/4/5/6/7 | 03-08 | R | 621/ 621G | SUZUKI DIRT BIKE | | | | | |
| LT-F 400 FL1 King Quad 400 FSi | 11 | R | | RM 250 X/Z | 81-82 | F | | | |
| LT-F 400 FCL1 King Quad 400 FSi Camo | 11 | R | | RM 465 X/Z | 81-82 | F | | | |
| ATK STREET | | | | SUZUKI ATV LT 125 D | 83 | R | | | |
| GV 250 | 06-11 | R | | LT 125 F/G/H | 85-87 | R | | | |
| HYOSUNG | | | ALT 125 D | 83 | R | | | | |
| GV 250 V-Twin | 11 | R | 622/ 622G | SUZUKI DIRT BIKE | | | | | |
| 608 | DISCONTINUED | | | | RM 125 E | 84 | F | | |
| | | | | | RM 250 D/E | 83-84 | F | | |
| 609 | SUZUKI STREET BIKE | | | RM 500 D/E | 83-84 | F | | | |
| | GS 450 TXZ | 82 | R | | | | | | |
| 610 | Use 634 | | | | | | | | |
| 611 | SUZUKI STREET BIKE | | | | | | | | |
| | GS 550 LZ | 82 | R | | | | | | |
| | GS 550 B | 77 | R | | | | | | |

| Part No. | Make/Model | Year | | Part No. | Make/Model | Year | | | | |
|--------------|--|---|--|------------------------|---|--|--|---|--|---|
| 624/ 624G | SUZUKI ATV LT 160 EK/EL/EM/EN LT 160 K3/K4 LT-F 160 M/N/P/R/S/T/V/W/X/Y/K1/K3 | 89-92 03-04 91-01/03 | F F F | 634/ 634G Contd. | SUZUKI ATV GT 750 K/L/M/A/B | 73-77 | R | | | |
| | ITALJET Formula 50 (Air Cooled) Torpedo 50 Velocifero 50 | 99-03 98-04 98-03 | R R R | | 636/ 636G | SUZUKI ATV LT-Z 250 K4/K5/K6/K7/K8/K9 QuadSport LT-F 250 K2-K9 Ozark | 04-09 02-11 | R R | | |
| | DERBI Atlantis 50 (All models) GP1 50 | 99-01 02-06 | R R | | | 638/638G | USE 301 | | | |
| | HUSQVARNA WRS 50 Scooter | 98-00 | R | | 701/ 701G | | KAWASAKI DIRT BIKE KDX 80 A1/A2 KDX 80 B2/B3 KX 80 C1/C2 | 80-81 82-83 81-82 | F & R F & R F & R | |
| | 625/ 625G | SUZUKI ATV LT 230 GEF/GEG LT-F 230 G/H LT 250 EFF/EFG LT 300 EH/EJ/EK | 85-86 86-87 85-86 87-89 | | | F F F F | 702/ 702G | KAWASAKI DIRT BIKE KX 125 B2/C1/D1 KDX 200 A1/A2/A3 KDX 200 C1/C2/C3 | 83-85 83-85 86-88 | R R R |
| 626/ 626G | SUZUKI STREET BIKE LS 650 K5 Boulevard S40 (650cc) GV 700 GLF/GLF2 VS 700 All models VS 750 GLPJ/GLPK/GLPL /GLPM Intruder VL 800 K1-K4 'Intruder Volusia' VL 800 K5/K6/CK5/TK5/CK6/TK6 /K7/TK7/ZK7/K8/TK8/ZK8/K9/TK9 /ZK9/L1 Boulevard C50/C50T VS 800 GLN/GLP/GLR/GLS/GLT/GLV GLW/GLX/GLY/GLK1/GLK2 GLK3/GLK4 Intruder VS 800 K5-K9/ZK9/L0 S50 Boulevard VZ 800 V/W/X/Y/K1-K4 'Marauder' VZ 800 K5/K6/BK6/K7/ZK7/K8/ZK8 /K9/ZK9/L0 M50 Boulevard | 05 85 86-87 88-91 01-05 05-11 92-04 05-10 97-04 05-10 | R R R R R R R R R R | 703/ 703G | KAWASAKI DIRT BIKE KE 175 D2/D3/D4/D5 KDX 200 A1/A2/A3 KL 250 A3/A4/A5 KL 250 C1/C2 KL 250 D2/D3 (KLR 250) KL 250 D4-D22 (KLR 250) | 80-83 83-85 80-82 83-84 85-86 87-05 | | R F R R R R | | |
| | SUZUKI ATV LT-F 4 WDXM/N/P/R/S/T/V/W LT-F 400 FK2/K2/FK3/K3 Eiger LT-A 400 FK2/FK3 Eiger 4WD | 91-98 02-03 02-03 | R R R | | 704/ 704G | KAWASAKI DIRT BIKE KE 125 A3-A10 KX 125 A/A3/A4/A5/A6/A7 KDX 175 A1/A2/A3 KE 175 D2/D3/D4/D5 KL 250 A3/A4/A5 KL 250 C1/C2 KLX 250 A1/A2 | 76-83 74-81 80-82 80-83 80-82 83-84 79-80 | F F F F F F F | | |
| | 628/ 628G | SUZUKI ATV LT-4WD H/J/K/L/M/N/P/R/S/T/V LT-F 4WD V/W LT-F 250 J/K/L/M/N/P/R/S/T/V/W LT-F 250 FX/FY/FK1/FK2 "Quadrunner" | 87-97 97-98 88-98 99-02 | | | F F F F | 705/ 705G | KAWASAKI DIRT BIKE KDX 250 A1/B1/B2 KDX 250 B3/B4 KL 250 A1/A1A/A2 KX 250 A6/A7 KDX 400 A1/A2 KDX 420 B1 KX 420 A1/A2 KDX 450 A1 | 80-82 83-84 78-80 80-81 79-80 81 80-81 82 | F F F F F F F F |
| | KAWASAKI ATV KAF 300 A1/B1/B2 (Mule 500) KAF 300 C1/C2/C3/C4/C6/C7 (Mule 550) KAF 300 D1/D2 (Mule 520) | | F F F | | | KAWASAKI ATV KLF 185 A2/A3/A4 'Bayou' KLT 200 A1/A2/A3/A4/A4A KLT 200 B1 KLT 200 C1/C2 KLF 220 A1-A15 Bayou KLT 250 A1/A2 KLT 250 C1/C2/C3 'Prairie' KLT 250 P1 'Police' KXT 250 A1 'Tecate' KLF 250 A1/A2/A3/A6F/A7F /A8F/A9F/AAF/ABF Bayou | | 86-88 81-83 83 83-84 88-02 82-83 83-85 84 84 03-11 | F R R R F R R R F | |
| | 629/ 629G | SUZUKI ATV LT-4WD H/J/K/L/M/N/P/R/S/T/V LT-F 4 WDT/V LT-F 4 WD/V/W LT-F 250 J/K/L/M/N/P/R/S/T/V/W LT-F 250 FX/FY/FK1/FK2 "Quadrunner" | 87-97 96-97 97-98 88-98 99-02 | | | R R R R R | | 706/ 706G | KAWASAKI STREET BIKE EL 250 B2/B3 Eliminator EL 250 E1/E2/E3/E4 250 HS EL 250 F2 'EL252' KZ 305 A1/A2 (CSR) KZ 305 B1 (CSR) KZ 305 B2/B3 (LTD) EX 305 B1 (GP2) KZ 440 A1/A2/A3 KZ 440 A4 KZ 440 B1/B2 KZ 440 D1/D2/D3/D4 (LTD) KZ 440 D5 (LTD) KZ 440 G1 EX 500 A1-A7 | 88-89 91-95 97-99 81-82 82 87-88 83 80-82 83 80-81 80-82 83 82 87-93 |
| 633/ 633G | SUZUKI ATV LT-F 4WDXM/N/P/R/S/T/V/W LT-F 300 FX/FY/FK1 "King Quad" | 91-98 99-01 | F F | | | | | | | |
| 634/ 634G | SUZUKI ATV LT 250 EFF/EFG LT 300 EH/EJ/EK LT-F 300 FX/FY/FK1 "King Quad" LT-F 300 FK2 LT-F 300 FX/FY LT-F 4WD XM/N/P/R/S/T/V/W LT-A 500 FY/FK1 LT-F 500 FW/FX/FY/FK1/FK2 | 85-86 87-89 99-01 02 99-00 91-98 00-01 98-02 | R R R R R R R | | | | | | | |
| | SUZUKI STREET BIKE GS 750 TZ/TD (16 valve) | 82-83 | R | | | | | | | |


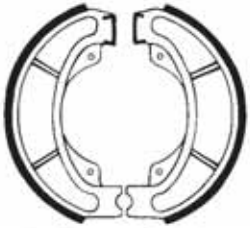
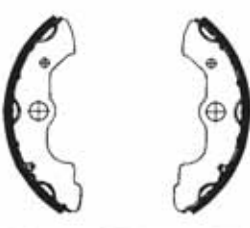



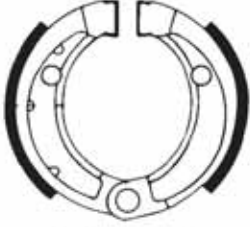
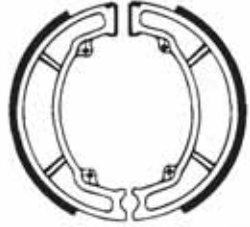



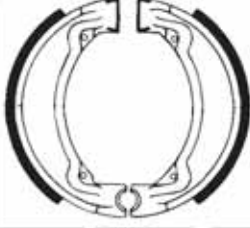
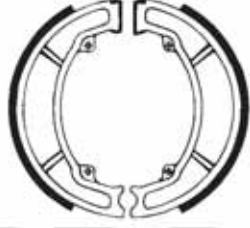











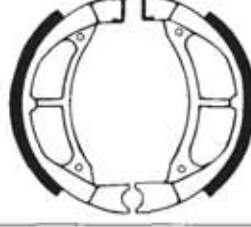


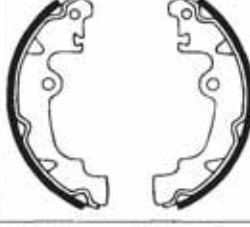

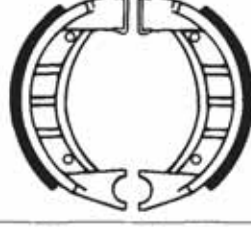




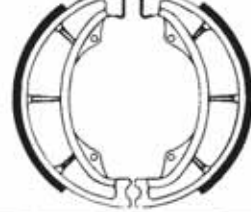
All part numbers, prefixes and suffixes shown in this catalog are unique and form a registered copyright as the property of EBC Brakes and its UK trademark owners

| Part No. | Make/Model | Year | | Part No. | Make/Model | Year | |
|-------------------------|---|-------|------------|-----------------------|-------------------------|-------|-------|
| 720 Contd. | KAWASAKI ATV CONTD. | | | 802G Contd. | HUSQVARNA CONTD. | | |
| | KAF 620 B1-B6 (Mule 2520) | | R | | WR 240 | 82-84 | R |
| | KAF 620 C1-C6 (Mule 2500) | | R | | WR 240 | 87-88 | R |
| | KAF 620 E1-E5 Mule 3010 | | F | | CR 250 | 80-81 | F |
| | KAF 620 F1/F2/F3 Mule 3020 | | F | | CR 250 | 85-88 | R |
| | KAF 620 G1-G5 Mule 3000 | | F | | WR 250 | 80-81 | F & R |
| | KAF 620 H1-H3 Mule 3010 4x4 | 03-05 | R | | WR 250 | 82-84 | R |
| | KAF 620 K1/K6F/K7F Mule 3010 Trans 4x4 | 05-07 | R | | WR 250 | 87-88 | R |
| | KAF 620 J1 Mule 3010 Trans 4x4 | 05 | R | | XC 250 | 80-81 | F & R |
| | KAF 620 M9F/MAF/MBF (Mule 4010 4x4) | 09-11 | R | | XC 250 | 82-84 | R |
| | KAF 620 N9F (Mule 4010 4x4 Hardwoods Green) | 09 | R | | XC 250 | 87-88 | R |
| | KAF 620 P9F/PAF (Mule 4000) | 09-10 | R | | WR 400 | 87-88 | R |
| | KAF 620 R9F/RAF/RBF (Mule 4010 Trans 4x4) | 09-10 | R | | 430 Automatic | 80-81 | F |
| | KAF 620 S9F/SAF/SBF (Mule 4010 Trans 4x4 Hardwoods Green HD) | 09-11 | R | | CR 430 | 87-88 | R |
| | KAF 950 A1 (Mule 2510 Diesel) | | R | | CR 430 | 80-81 | F & R |
| | KAF 950 B1-B3 (Mule 3010 Diesel) | 03-05 | R | | WR 430 | 87-88 | R |
| | KAF 950 D8F Mule 3010 Diesel 4x4 | 08 | R | | WR 430 | 80-81 | F & R |
| | KAF 950 E8F Mule 3010 Trans 4x4 Diesel | 08 | R | | WR-E 430 | 87-88 | R |
| | KAF 950 F9F/FAF/FBF (Mule 4010 Diesel 4x4) | 09-11 | R | | WR-E 430 | 82-84 | R |
| | KAF 950 G9F/GAF/GBF (Mule 4010 Trans 4x4 Diesel) | 09-11 | R | | WRU 430 | 82-84 | R |
| SUZUKI ATV | | | XC 430 | 80-81 | F & R | | |
| QUV 620 FK5 Side x Side | 05 | R | XC 430 | 87-88 | R | | |
| | | | AE 500 | 82-84 | F | | |
| | | | CR 500 | 85-88 | R | | |
| | | | XC 500 | 82-84 | R | | |
| | | | XC 500 | 87-88 | R | | |
| 801G | HUSQVARNA | | | 803G | HUSQVARNA | | |
| | CR 125 | 78 | F | | CR 125 | 82-84 | F |
| | CR 125 | 79-81 | F & R | | WR 125 | 82-84 | F |
| | CR 125 | 82-84 | R | | XC 125 | 82-84 | F |
| | WR 125 | 79 | F & R | | CR 240 | 82-84 | F |
| | XC 125 | 85-86 | R | | WR 240 | 82-84 | F |
| | CR 240 | 80-84 | R | | CR 250 | 82-84 | F |
| | WR 240 | 78 | F & R | | WR 250 | 82-84 | F |
| | CR 250 | 71-74 | R | | XC 250 | 82-84 | F |
| | CR 250 | 75-79 | F & R | | WR-E 430 | 82-84 | F |
| | CR 250 | 80-84 | R | | WRU 430 | 82-84 | F |
| | WR 250 | 71-74 | R | | AE 500 | 82-84 | F |
| | WR 250 | 75-78 | F & R | | CR 500 | 82-84 | F |
| | XC 250 | 85-86 | R | | XC 500 | 82-84 | F |
| | 360 Automatic | 75-77 | R | | | | |
| | CR 360 | 75-78 | F & R | 811G | KTM | | |
| | WR 360 | 75-78 | F & R | MX 125 | | 83 | |
| | ACC 390 | 80-81 | F & R | 812G | KTM MX 125 | | |
| | ACCE 390 | 80-81 | F & R | | | 83 | |
| | CR 390 | 75-81 | F & R | 814G | ATK | | |
| | CR 390 Automatic | 78 | F & R | 560 | | 84-85 | |
| | WR 390 | 78 | F & R | KTM | | | |
| | CR 400 | 71-74 | F & R | 80 MX | | 86-92 | |
| | WR 400 | 75-78 | F & R | GSXC/GS 125 | | 85 | |
| | CR 430 | 80-81 | R | MX 125 | | 84 | |
| | CR 450 | 71-74 | F & R | MX/MXC 125 | | 85 | |
| | WR 450 | 71-72 | F & R | GSXC/GS 250 | | 85 | |
| | CR 500 | 82-84 | R | MX/MXC/GS 250 | | 84 | |
| | XC 500 | 85-86 | R | MX/MXC 250 | | 85 | |
| | TC 510 | 87- | R | GSXC/GS 300 | | 85 | |
| | TE 510 | 87-89 | R | MX/MXC 300 | | 85 | |
| | TX 510 | 87-88 | R | MX/MXC/XC-GS 500 | | 85 | |
| WMX 510 | 89 | R | | | | | |
| WXE 510 | 89 | R | 815 | KTM | | | |
| | | | 60 SX | | 98-99 | | |
| | | | 816 | ITALJET | | | |
| 802G | HUSQVARNA | | | Torpedo 125 4T | 99-04 | | |
| CR 125 | | 85-86 | R | Torpedo 150 | 03 | | |
| WR 125 | | 80-81 | F & R | Jet Set 125/150 | 03 | | |
| WR 125 | | 82-84 | R | PIAGGIO | | | |
| WR 125 | | 87-88 | R | Fly 50 | 05-11 | | |
| XC 125 | | 82-84 | R | LT 50 | 97-05 | | |
| CR 240 | | 80-81 | F | LT 150 | 98-04 | | |
| CR 240 | | 85-88 | R | Fly 150 | 06-11 | | |
| WR 240 | | 80-81 | F & R | | | | |


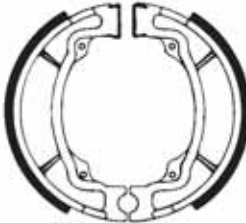
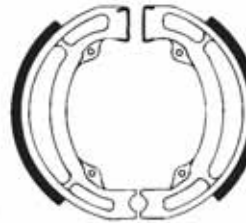

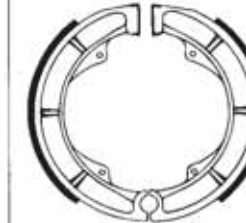


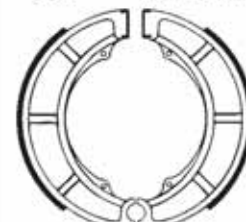

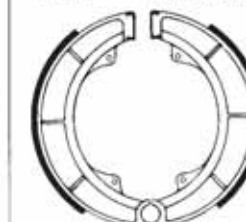












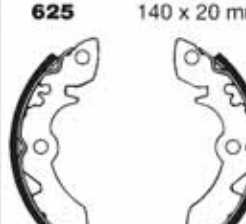
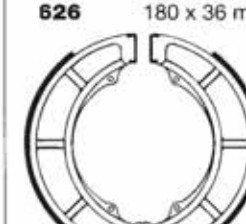
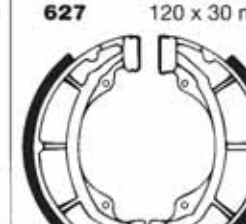
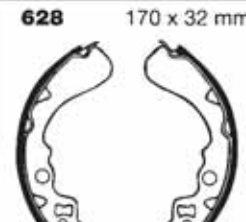



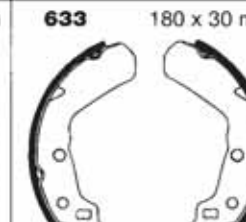
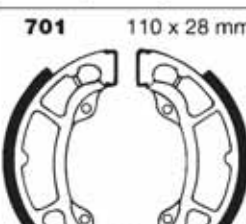
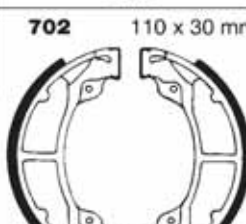
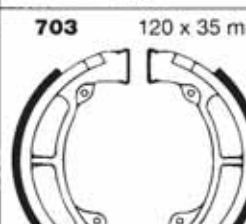
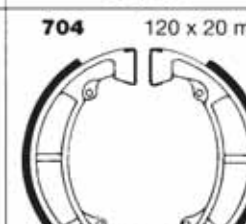
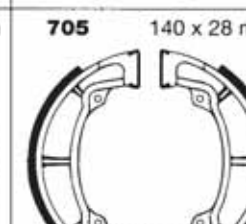
| Part No. | Make/Model | Year | | Part No. | Make/Model | Year | | |
|--|---|--|----------|-----------------------|--|-------------|----------|---|
| 816 Contd. | DERBI Boulevard 150 | 03-05 | R | 860 | BMW R 45/45 N | 78-09/80 | R | |
| | Atlantis Bullet/City | 02-05 | R | | R 50/5 / 60/5 / 60/6 / 75/5 | 69-76 | R | |
| | APRILIA Sport City 50 (4T) | 08-11 | R | | R 60/7 | 76-80 | R | |
| | Mojito Custom 150 | 05-09 | R | | R 60 TIC | 78-82 | R | |
| | Scarabeo 100 4T | 04-11 | R | | R 75/6, 75/5 | 73-79 | R | |
| | Sport City 125 (4T) | 08-11 | R | | R 80 | 77-09/80 | R | |
| 817 | APRILIA Mojito Retro 50 | 04-05 | R | | R 80 TIC | 78-08/80 | R | |
| | Mojito Custom 50 | 04-06 | R | | R 90 S | 73-76 | R | |
| | Scarabeo 100 4T | 04-05 | R | | R 90/6 | 73-76 | R | |
| | | | | | R 100 | 76-77 | R | |
| 818 | MALAGUTI Ciak 150 | 02-03 | R | | R 100/7 T | 77-09/80 | R | |
| | KYMCO People 50 (2T) | 02-10 | R | | R 100 S | 76-08/80 | R | |
| | People S 50/125 | 05-09 | R | | R 100 RS | 76-09/80 | R | |
| | People 150 | 07-10 | R | | R 100 RT | 78-09/80 | R | |
| | Super 8 (150cc) | 07-10 | R | | | | | |
| | People S200 | 05-10 | R | | | | | |
| 820 | SYM Symba 110 | 09-11 | F | 861 | BMW R 45/45 N | 10/8085 | R | |
| | HS 125/200 | 04-10 | R | | R 45 T | 80-85 | R | |
| | Fiddle II 125 (AW 125 W) | 08-11 | R | | R 65 | 07/88-08/89 | R | |
| | KYMCO Super 8 (50cc) (2T/4T) | 07-11 | R | | R 65 GS | 87-92 | R | |
| 821G | MAICO/M-STAR All Models | 84-85 | F | | R 65 RT | 85-88 | R | |
| | 822G | MAICO/M-STAR All Models Front disc models | 84-85 | | R | R 65 T | 80-85 | R |
| | | | 85 | | R | R 80 | 10/80-84 | R |
| 824 | DAELIM Daystar 125 | 03-08 | R | | R 80/R 80 RT | 84-95 | R | |
| | | | | | R 80 RT | 82-84 | R | |
| 841G | MAICO/M-STAR All models Disc Models | 86 | F & R | | R 80 GS | 80-87 | R | |
| | | | R | | R 80 ST | 82-84 | R | |
| | CAGIVA WMX 125/250 | -85 | R | | R 80 TIC | 09/80-85 | R | |
| | | | | | R 100/7T | 09/80-84 | R | |
| BETA 125 TR 32/33 240 TR 33 | 86-87 | R | R 100 RS | | 86/08/89 | R | | |
| | 86-88 | R | R 100 RT | 87-08/89 | R | | | |
| 853 | TRIUMPH T 120 (650cc/Twin Leading Shoe) T 150 (Trident 3 cycl) | 66-70 | F | K 75/75-2 (Non ABS) | 84-96 | R | | |
| | | 69-72 | F | K 75/75-2 (ABS model) | 84-07/90 | R | | |
| 854 | TRIUMPH T 120 (650cc/Twin Leading Shoe) T 150 (Trident 3 cycl) | 66-70 | R | K 75 C | 85-12/88 | R | | |
| | | 69-72 | R | | | | | |
| 858 | TRIUMPH Cub 500 | | F & R | 862 | BMW R 65 LS | 81-85 | R | |
| | | | | 864 | BMW R 50/5 / 60/5 / 60/6 / 75/5 | 69-76 | F | |
| 859 | BMW R 80/R 80 RT R 80 GS R 80 PD/CH R 100 GS R 100 PD R 100 RS R 100 RT R 80 Mystic R 80 R R 100 Mystic R 100 R R 850 GS | 09/8-95 | R | 893 | APRILIA Scarabeo 50 Rally 50 (Air cooled) MALAGUTI Yesterday Ciak 50 F10 Jet Line F15 Firefox PIAGGIO Typhoon 50 | 99-05 | R | |
| | | 87-95 | R | | | 04-05 | R | |
| | | 90-95 | R | | | 98-04 | R | |
| | | 86-94 | R | | | 02-04 | R | |
| | | 89-96 | R | | | 02-04 | R | |
| | | 9/89-92 | R | | | 02-03 | R | |
| | | 09/89-95 | R | | | 07-09 | R | |
| | | 94-95 | R | | | | | |
| | | 91-94 | R | | | | | |
| | | 93-96 | R | | | | | |
| | | 91-95 | R | | | | | |
| 96 | R | | | | | | | |
| 897 | 101 S/Key West (50) Delivery 50 (Up to E.No. 609099) Delivery 50 (From F.No. 609100) Sunset 50 | 05-08 | R | 899 | VESPA ET2 50cc LX 50 S 50 4T/4V ET4 150cc LX 150 (Fly 150) LXV 150 IE S 150 PIAGGIO Typhoon 50/SE | 97-05 | R | |
| | | 05-06 | R | | | 05-11 | R | |
| | | 06-08 | R | | | 08-11 | R | |
| 899 | VESPA PX 150 (All models) | 05-06 | R | 903 | VESPA PX 150 (All models) | 05-06 | R | |
| | | 06-08 | R | | | | | |
| 903 | VESPA PX 150 (All models) | 05-06 | R | 921 | DUCATI 250/350/450 'Desmo' | 74-77 | R | |
| | | | | | | | | |



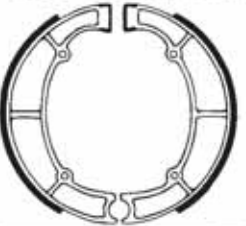



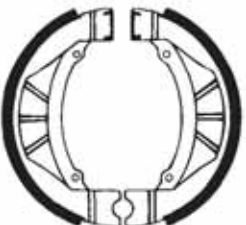
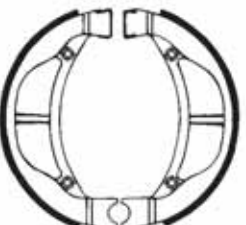


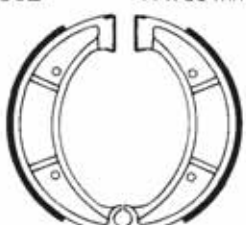

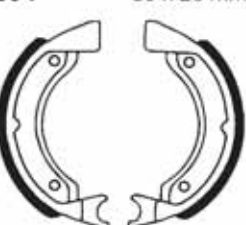




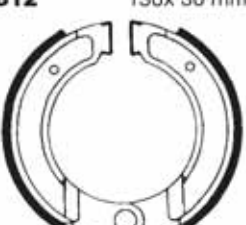



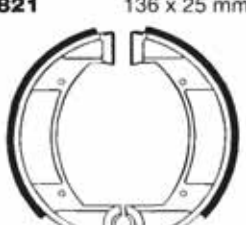





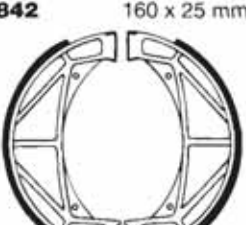

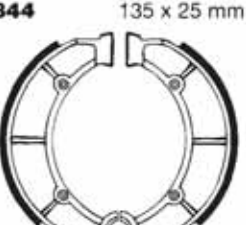





| Part No. | Make/Model | Year | | Part No. | Make/Model | Year | |
|----------|---|----------------------------------|-----------------------------------|----------|------------|------|--|
| 928 | DUCATI 250/350/450 'Desmo' | -76 | F | | | | |
| 929 | DUCATI 250/350/450 'Desmo' | -76 | R | | | | |
| 938 | HYOSUNG TE 50 TE 90 TE 100 | 05-08 05-08 05-08 | F F F | | | | |
| 944G | CAGIVA WMX 125 | -85 | F | | | | |
| 950 | CZ/JAWA Scrambler Cross 125-380 Jawa 250/400 Cross 250/380 (Models 513/514) | 65-76 65-76 77-79 | F & R F & R R | | | | |
| 977G | CAGIVA WMX 125/250 | 86-88 | R | | | | |
| 978 | MUZ 500 Country | 93-98 | R | | | | |
| 982G | CAGIVA WMX 500 | 84-86 | R | | | | |
| 984 | HUSQVARNA Husky Boy Racing S Husky Boy Drum front & rear Husky Boy Racing J Husky Boy J/S Husky Boy R | 00 00-02 00 01-02 01 | F & R F & R F & R R R | | | | |
| | | | | | | | |

| | | | | |
|----------------------------|----------------------------|----------------------------|----------------------------|----------------------------|
| 301 80 x 18 mm | 302 95 x 20 mm | 303 110 x 25 mm | 304 110 x 25 mm | 306 140 x 28 mm |
| 307 130 x 28 mm | 308 160 x 30 mm | 309 140 x 30 mm | 310 130 x 30 mm | 311 160 x 25 mm |
| 312 140 x 25 mm | 313 140 x 40 mm | 314 180 x 30 mm | 315 160 x 30 mm | 316 180 x 30 mm |
| 318 130 x 30 mm | 319 150 x 25 mm | 320 180 x 38 mm | 321 160 x 40 mm | 322 80 x 18 mm |
| 323 110 x 30 mm | 324 140 x 25 mm | 325 160 x 25 mm | 327 130 x 30 mm | 328 130 x 22 mm |
| 330 130 x 25 mm | 331 130 x 22 mm | 332 130 x 25 mm | 333 95 x 25 mm | 334 95 x 20 mm |
| 335 90 x 20 mm | 336 110 x 25 mm | 337 95 x 20 mm | 338 85 x 20 mm | 339 160 x 30 mm |

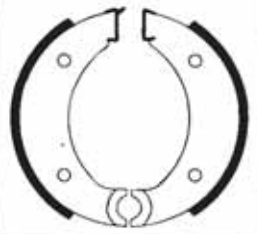
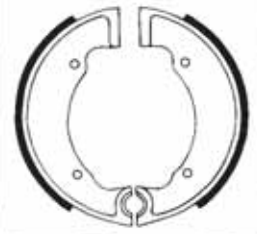
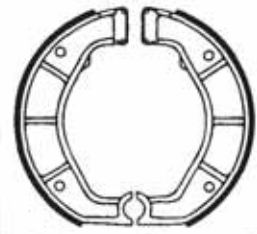
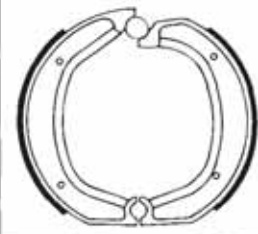

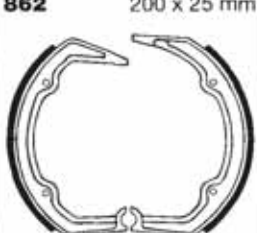
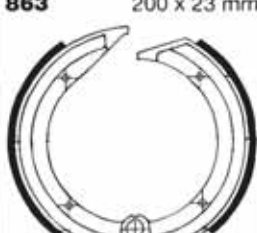
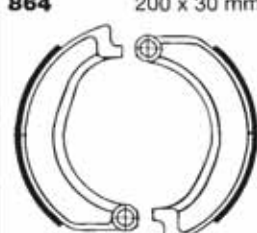

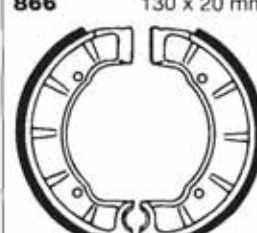





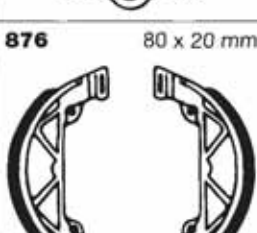
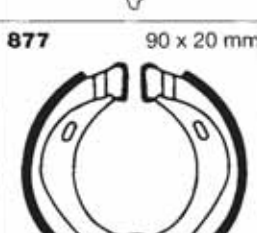
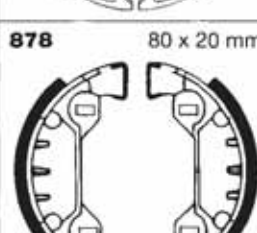
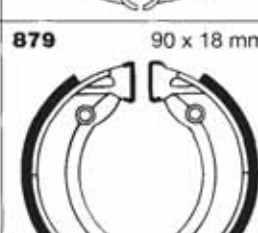

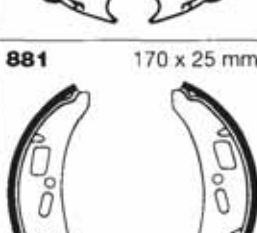
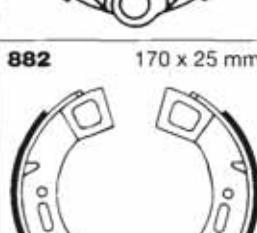
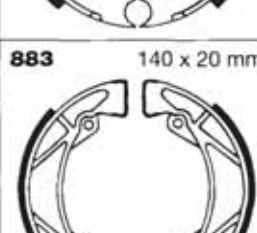
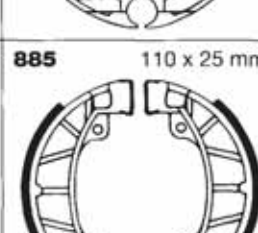
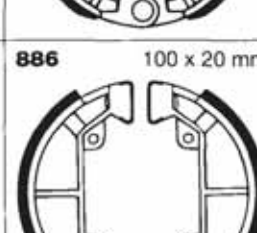
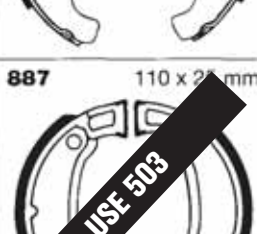
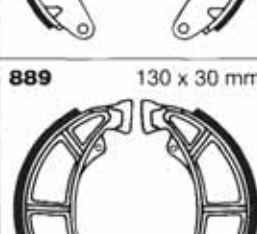
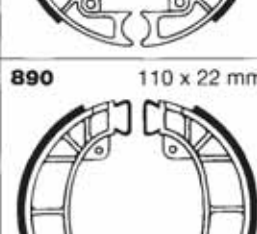
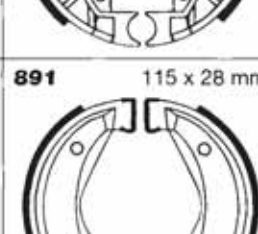
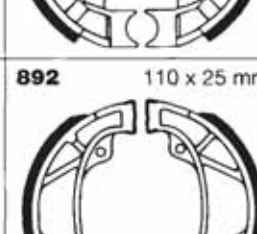
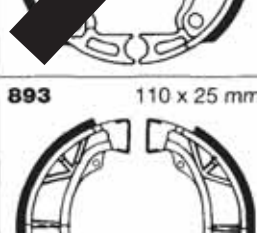
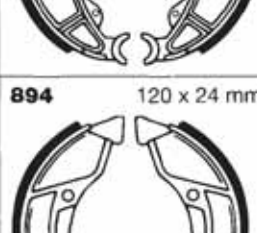
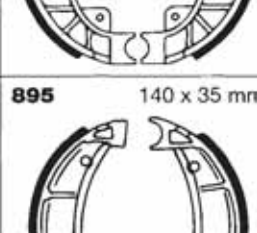
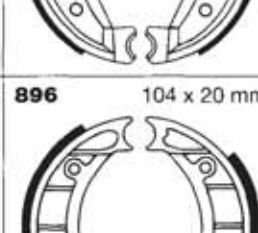
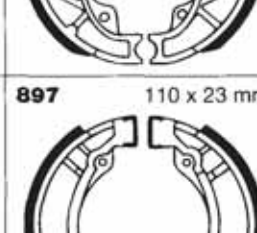
| | | | | |
|---|---|---|--|---|
| 340 140 x 30 mm  | 341 130 x 25 mm  | 342 160 x 30 mm  | 343 180 x 35 mm  | 344 130 x 25 mm  |
| 345 130 x 25 mm  | 346 87 x 20 mm  | 350 130 x 25 mm  | 501 80 x 17 mm  | 502 95 x 20 mm  |
| 503 110 x 25 mm  | 504 110 x 25 mm  | 506 130 x 28 mm  | 507 130 x 22 mm  | 508 130 x 22 mm  |
| 510 150 x 25 mm  | 511 160 x 25 mm  | 512 180 x 40 mm  | 513 180 x 30 mm  | 514 180 x 30 mm  |
| 515 200 x 40 mm  | 516 160 x 30 mm  | 517 130 x 22 mm  | 518 110 x 25 mm  | 519 95 x 20 mm  |
| 521 130 x 28 mm  | 522 150 x 25 mm  | 523 165 x 27 mm  | 524 165 x 25 mm  | 525 100 x 20 mm  |
| 526 200 x 35 mm  | 527 130 x 28 mm  | 528 159 x 25 mm  | 601 100 x 25 mm  | 602 130 x 28 mm  |

All part numbers, prefixes and suffixes shown in this catalog are unique and form a registered copyright as the property of EBC Brakes and its UK trademark owners




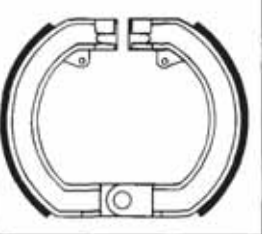




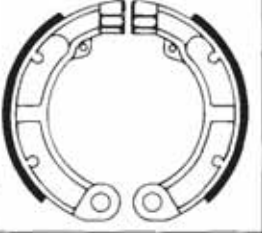

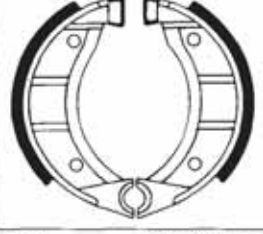


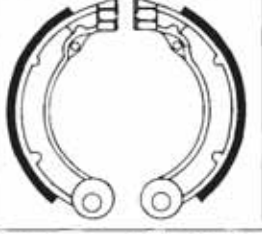
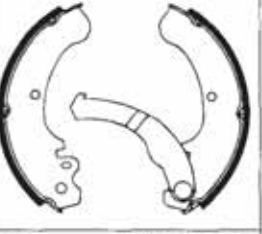
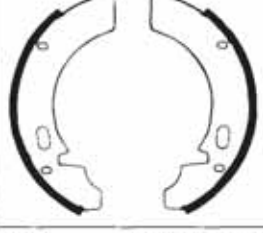
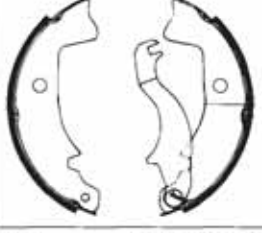
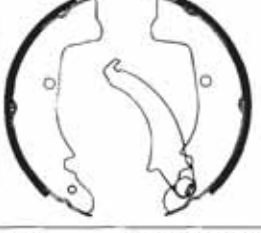
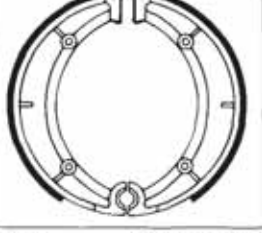
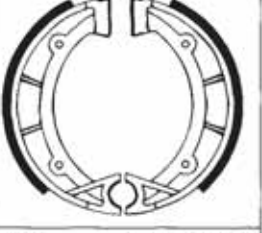

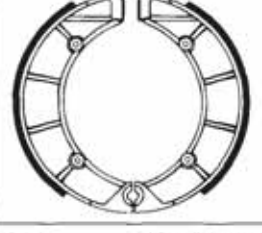
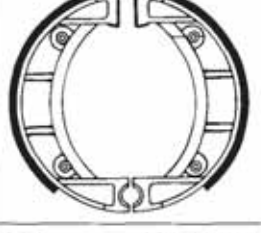
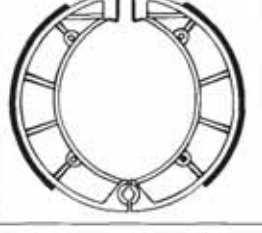

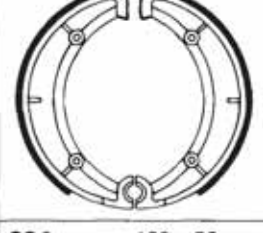
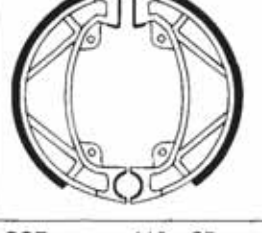








| | | | | |
|--|--|---|--|---|
| <p>602 A 130 x 28 mm</p>  <p>USE 602</p> | <p>603 110 x 30 mm</p>  | <p>604 110 x 25 mm</p>  | <p>605 150 x 28 mm</p>  | <p>606 160 x 30 mm</p>  |
| <p>607 106 x 28 mm</p>  <p>DISCONTINUED</p> | <p>608 179 x 28 mm</p>  <p>DISCONTINUED</p> | <p>609 180 x 28 mm</p>  | <p>610 180 x 40 mm</p>  <p>USE 634</p> | <p>611 180 x 32 mm</p>  |
| <p>612 200 x 40 mm</p>  | <p>613 90 x 20 mm</p>  | <p>614 80 x 20 mm</p>  | <p>615 100 x 20 mm</p>  | <p>616 120 x 22 mm</p>  |
| <p>617 120 x 28 mm</p>  | <p>618 130 x 22 mm</p>  | <p>619 130 x 23 mm</p>  | <p>620 140 x 28 mm</p>  | <p>621 150 x 22 mm</p>  |
| <p>622 130 x 22 mm</p>  | <p>624 120 x 25 mm</p>  | <p>625 140 x 20 mm</p>  | <p>626 180 x 36 mm</p>  | <p>627 120 x 30 mm</p>  |
| <p>628 170 x 32 mm</p>  | <p>629 160 x 28 mm</p>  | <p>631 110 x 17 mm</p>  | <p>632 90 x 20 mm</p>  | <p>633 180 x 30 mm</p>  |
| <p>701 110 x 28 mm</p>  | <p>702 110 x 30 mm</p>  | <p>703 120 x 35 mm</p>  | <p>704 120 x 20 mm</p>  | <p>705 140 x 28 mm</p>  |

| | | | | |
|---|---|---|--|---|
| 706 160 x 30 mm  | 708 180 x 30 mm  | 709 180 x 40 mm  | 710 180 x 35 mm  | 711 180 x 30 mm  |
| 713 200 x 35 mm  | 714 95 x 20 mm  | 715 90 x 20 mm  | 717 160 x 30 mm  | 801 162 x 25 mm  |
| 802 160 x 30 mm  | 803 160 x 25 mm  | 804 85 x 20 mm  | 805 125 x 25 mm  | 806 100 x 20 mm  |
| 807 110 x 25 mm  | 811 140 x 25 mm  | 812 130x 30 mm  | 813 181 x 25 mm  | 814 130 x 22 mm  |
| 815 100 x 20 mm  | 821 136 x 25 mm  | 822 160 x 30 mm  | 831 125 x 25 mm  | 832 140 x 40 mm  |
| 833 140 x 30 mm  | 841 125 x 25 mm  | 842 160 x 25 mm  | 843 140 x 25 mm  | 844 135 x 25 mm  |
| 845 125 x 22 mm  | 851 180 x 30 mm  | 852 200 x 30 mm  | 853 180 x 25 mm  | 854 200 x 40 mm  |




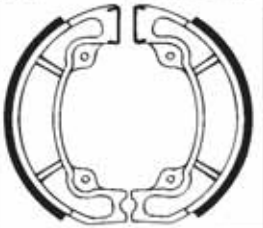



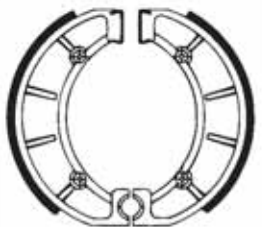



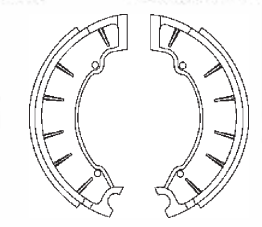
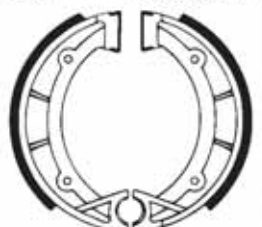





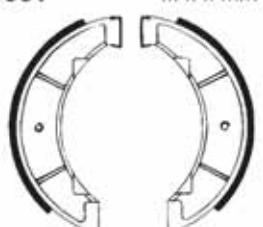
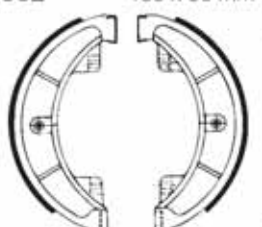
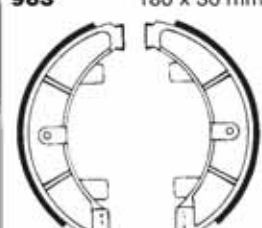
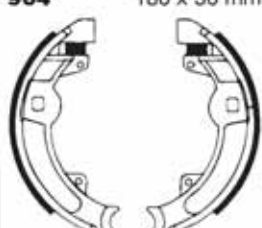
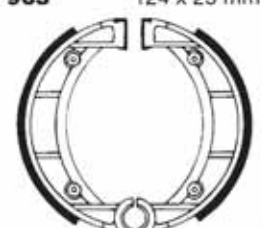
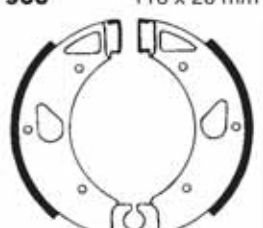
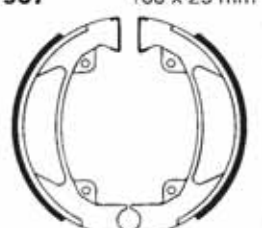
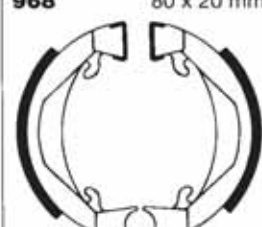
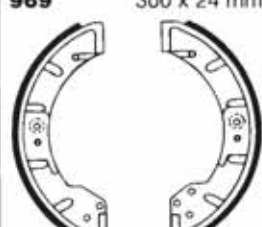
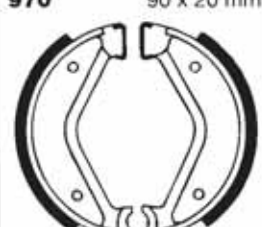
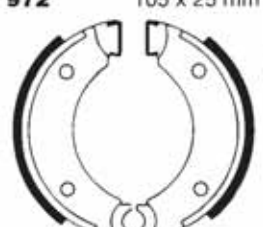


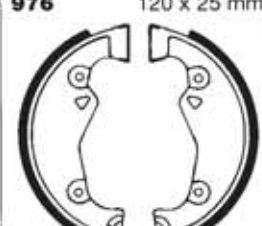



DISCONTINUED

| | | | | |
|---|---|---|--|---|
| 856 105 x 25 mm  | 858 138 x 25 mm  | 859 200 x 27 mm  | 860 200 x 30 mm  | 861 200 x 25 mm  |
| 862 200 x 25 mm  | 863 200 x 23 mm  | 864 200 x 30 mm  | 865 140 x 30 mm  | 866 130 x 20 mm  |
| 867 90 x 20 mm  | 868 190 x 18 mm  | 872 140 x 25 mm  | 873 100 x 20 mm  | 875 100 x 18 mm  |
| 876 80 x 20 mm  | 877 90 x 20 mm  | 878 80 x 20 mm  | 879 90 x 18 mm  | 880 105 x 25 mm  |
| 881 170 x 25 mm  | 882 170 x 25 mm  | 883 140 x 20 mm  | 885 110 x 25 mm  | 886 100 x 20 mm  |
| 887 110 x 25 mm  | 889 130 x 30 mm  | 890 110 x 22 mm  | 891 115 x 28 mm  | 892 110 x 25 mm  |
| 893 110 x 25 mm  | 894 120 x 24 mm  | 895 140 x 35 mm  | 896 104 x 20 mm  | 897 110 x 23 mm  |

USE 503

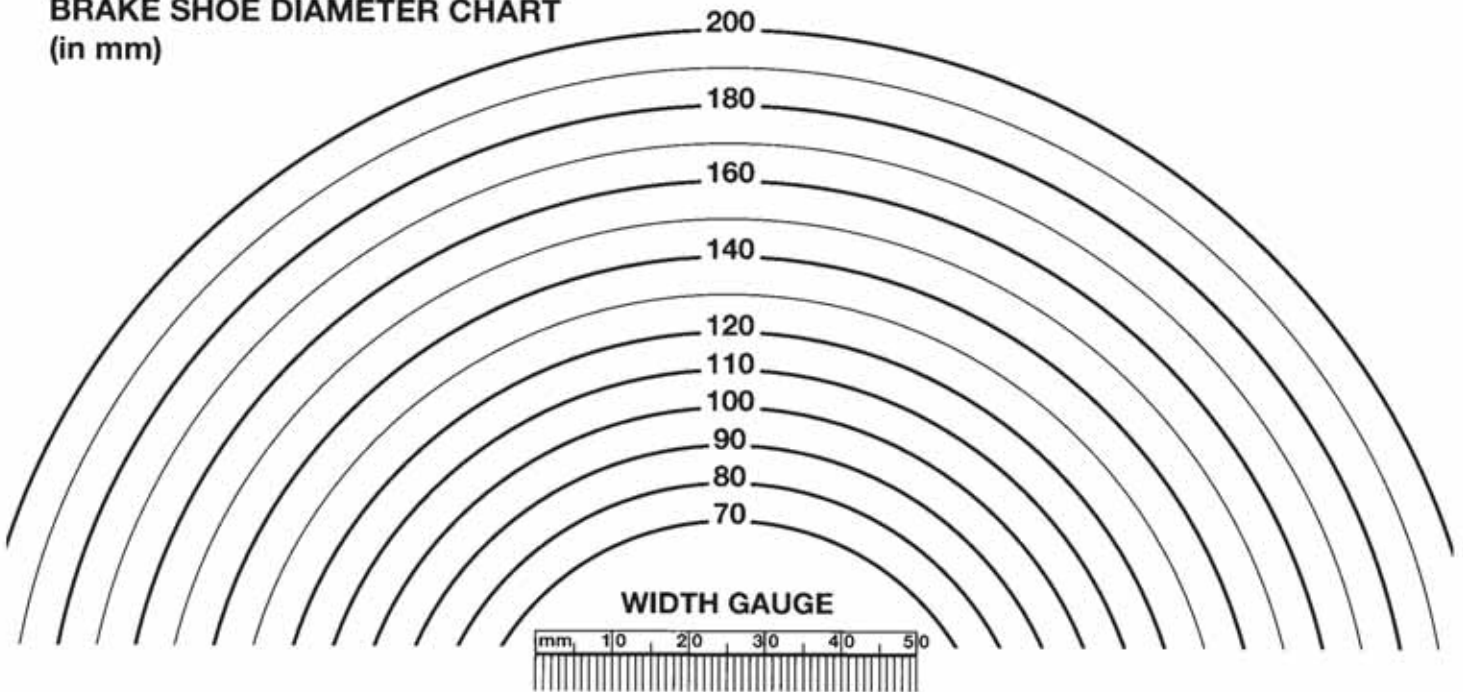
| | | | | |
|--|---|---|---|--|
| 898 90 x 16 mm  | 899 110 x 25 mm  | 900 80 x 16 mm  | 901 150 x 25 mm  | 902 127 x 28 mm  |
| 903 150 x 24 mm  | 904 150 x 24 mm  | 905 125 x 17 mm  | 906 125 x 20 mm  | 907 135 x 16 mm  |
| 908 90 x 18 mm  | 909 105 x 20 mm  | 910 127 x 23 mm  | 911 127 x 23 mm  | 912 160 x 32 mm  |
| 914 170 x 30 mm  | 915/916 180 x 41 mm  | 917/918 180 x 41 mm  | 921 160 x 30 mm  | 922 123 x 25 mm  |
| 924 150 x 18 mm  | 925 160 x 30 mm  | 926 118 x 20 mm  | 927 160 x 25 mm  | 928 182 x 35 mm  |
| 929 158 x 30 mm  | 930 118 x 24 mm  | 931 90 x 18 mm  | 932 120 x 20 mm  | 933 110 x 30 mm  |
| 934 122 x 30 mm  | 935 110 x 25 mm  | 936 120 x 25 mm  | 937 125 x 28 mm  | 939 125 x 25 mm  |

All part numbers, prefixes and suffixes shown in this catalog are unique and form a registered copyright as the property of EBC Brakes and its UK trademark owners

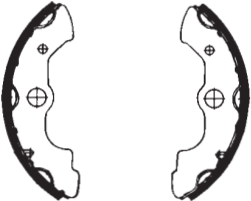
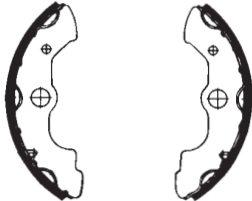
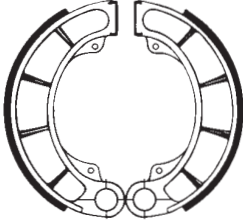

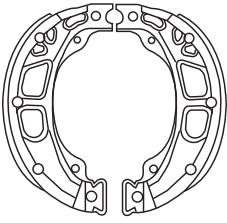

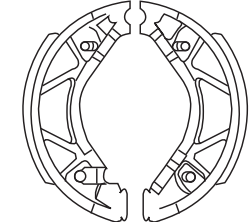
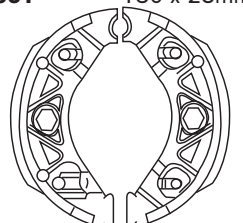



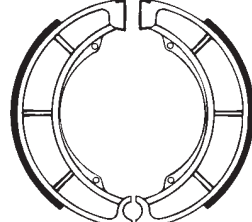

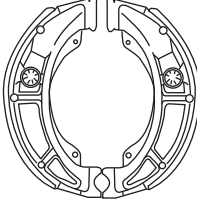

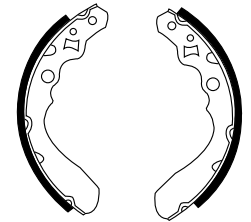
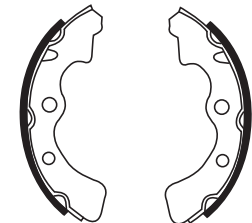
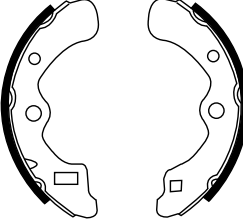









| | | | | |
|---|---|---|--|---|
| 940  125 x 25 mm | 941  118 x 24 mm | 942  150 x 24 mm | 943  125 x 26 mm | 944  124 x 28 mm |
| 945  90 x 18 mm | 946  180 x 30 mm | 947  140 x 25 mm | 948  180 x 35 mm | 949  160 x 35 mm |
| 950  180 x 25 mm | 951  160 x 35 mm | 952  125 x 25 mm | 953  130 x 30 mm | 954  140 x 25 mm |
| 955  124 x 28 mm | 958  152 x 25 mm | 959  152 x 25 mm | 961  ... x ... mm | 962  180 x 30 mm |
| 963  180 x 30 mm | 964  180 x 30 mm | 965  124 x 25 mm | 966  116 x 20 mm | 967  160 x 25 mm |
| 968  80 x 20 mm | 969  300 x 24 mm | 970  90 x 20 mm | 972  105 x 25 mm | 974  90 x 25 mm |
| 975  150 x 25 mm | 976  120 x 25 mm | 977  130 x 25 mm | 978  160 x 30 mm | 979  140 x 30 mm |

| | | | | |
|---|-------------------------------|------------------------------------|-------------------------------|-------------------------------|
| 980 120 x 25 mm | 981 125 x 25 mm | 982/ 318 130 x 30 mm | 983 160 x 30 mm | 985 110 x 25 mm |
| 986 105 x 25 mm | 987 140 x 25 mm | 988 104 x 22 mm | 989 150 x 22 mm | 990 150 x 30 mm |
| 991 120 x 25 mm USE 624 | 992 140 x 25 mm | 993/994 190 x 47 mm | 995 118 x 24 mm | 996 104 x 22 mm |
| 997 130 x 20 mm | 998 95 x 22 mm | 999 105 x 25 mm | | |

BRAKE SHOE DIAMETER CHART
(in mm)



All part numbers, prefixes and suffixes shown in this catalog are unique and form a registered copyright as the property of EBC Brakes and its UK trademark owners

| | | | | |
|--|--|--|---|--|
| 347 160 x 20mm  | 347S 160 x 20mm  | 351 160 x 30mm  | 352 130 x 25mm  | 353 110 x 25mm  |
| 520 165 x 30mm  | 530 110 x 25mm  | 531 130 x 28mm  | 532 160 x 30mm  | 533 150 x 28mm  |
| 534 160 x 32mm  | 634 180 x 40mm  | 635 130 x 28mm  | 636 140 x 30mm  | 638 80 x 18mm  |
| 718 165 x 26mm  | 719 180 x 26mm  | 720 180 x 25mm  | 810 140 x 25mm  | 816 140 x 25mm  |
| 817 120 x 25mm  | 818 130 x 25mm  | 819 150 x 30mm  | 820 130 x 28mm  | 857 130 x 25mm  |
| 957 142 x 20mm  | 536 100 x 20mm  | | | |

CLUTCH KITS FOR STREET/DIRT/ATV

STREET - 3 choices

1. Standard - CK Series

Almost identical to original equipment clutch plates the CK series are a cork based product impregnated with aluminum particles to increase wear life and heat resistance. Material is highly compressed to avoid swell and clutch drag and is an ideal general purpose replacement material for all grades and sizes of motorcycle. Kit includes a complete "engine set" of friction plates only.

Note: Do not use fully synthetic oil



2. Race/Sport SRC Kevlar Series

A Kevlar paper lined plate set complete with heavy duty clutch springs (for bikes fitted with diaphragm type springs we can now supply a heavy duty spring kit), the SRC kit is ideal for heavy sport bikes, faster riders and production based race use. Advantages of the SRC Kevlar series are longer life, higher heat resistance, although this clutch has a more aggressive/faster take up than the CK cork series.



3. Race/Sport SRK Series

New SRK complete kits include Kevlar® fiber lined friction plates, steel separator plates and springs to provide a streetgoing kit for high performance street and road race use much similar to the DRC program for off road. Some of the kits will now feature new **DIAPHRAGM** springs as used in many larger new bikes to provide a complete clutch rebuild kit for every sportbike possible.



CSK CLUTCH SPRING SETS



DIAPHRAGM TYPE SPRING

COIL TYPE SPRING

Always fit new springs which get tired after miles of heat and use. EBC spring kits are 10-15% stiffer than standard and are sold in engine sets.

As stated in general fitting/safety instructions, advise customers that lever will feel slightly 'heavier' when uprating springs, and to test ride/acquaint themselves with this change in control.

APPLICATIONS
CLUTCH

DIRT/ATV - 2 choices



2. Standard - CK Series

Cork based replacement clutch exactly the same as used on the street series CK clutch plates described above. A general all purpose replacement unit.

EBC only sell complete kits as replacing single plates is deemed unwise. The object is to reset the clutch to its original stack height and just replacing one plate will not achieve that and promote clutch slip.

Many off road clutches use aluminum separator plates which wear quickly and muddy the oil. If this has happened in your engine, flush the drive case, change the oil and rebuild the clutch with a complete DRC kit which includes STEEL separator plates that not only prevent wear but increase flywheel effect of the engine and improve performance.

1. Full Kit - DRC Series

The US #1 selling off road clutch

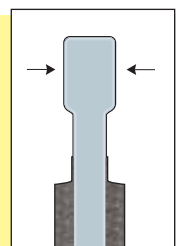
Why are these the best???...

- Anti-swell, alloy impregnated heavy duty cork based facings provide smooth clutch take up and allow modulation, unlike paper clutches which tend to snatch.
- Complete engine set of friction plates, HD springs and **STEEL SEPARATOR PLATES** prevent premature driven plate wear, oil muddying and loss of stack height.
- EBC DRC kits are built with swaged aluminum carriers which spread the load on the clutch basket and prevent clutch basket "dogging".

Note: do not use fully synthetic oil.

What makes EBC the BEST!!!

Unique wide ear soft alloy drive body eliminates basket damage and delivers smooth clutch operation.



All part numbers, prefixes and suffixes shown in this catalog are unique and form a registered copyright as the property of EBC Brakes and its UK trademark owners

DRC-F Clutch Kits



New for 2011, the ultimate moto-x and ATV heavy duty clutch kit designed for race use. These new kits feature carbon fiber lined clutch plates plus a full set of steel plates and heavy duty springs. These kits are ideal for the higher torque generated in modern 4 stroke engines but are equally useful as a clutch upgrade in 2 stroke motorcycles.

CLUTCH APPLICATIONS

| Available Part Numbers | | | | | |
|------------------------|---------|---------|---------|---------|---------|
| DRCF25 | DRCF54 | DRCF105 | DRCF128 | DRCF163 | DRCF244 |
| DRCF33 | DRCF58 | DRCF107 | DRCF129 | DRCF182 | DRCF255 |
| DRCF42 | DRCF70 | DRCF108 | DRCF131 | DRCF195 | DRCF256 |
| DRCF43 | DRCF79 | DRCF109 | DRCF137 | DRCF200 | DRCF259 |
| DRCF44 | DRCF88 | DRCF111 | DRCF148 | DRCF201 | |
| DRCF45 | DRCF98 | DRCF113 | DRCF155 | DRCF208 | |
| DRCF46 | DRCF100 | DRCF119 | DRCF158 | DRCF227 | |
| DRCF49 | DRCF101 | DRCF123 | DRCF159 | DRCF230 | |

See application pages for fitments.

Clutch Removal Tools



New for 2011, a range of clutch tools to allow easy install of all EBC clutch kits. Range covers 95% of US market motorcycles and ATVs and allow positive holding of the clutch basket or center boss to allow untightening and retightening of securing nuts. Clutch application pages show appropriate tool and below is a list of the available 2011 program.

PART NUMBERS AVAILABLE AT TIME OF PRINT

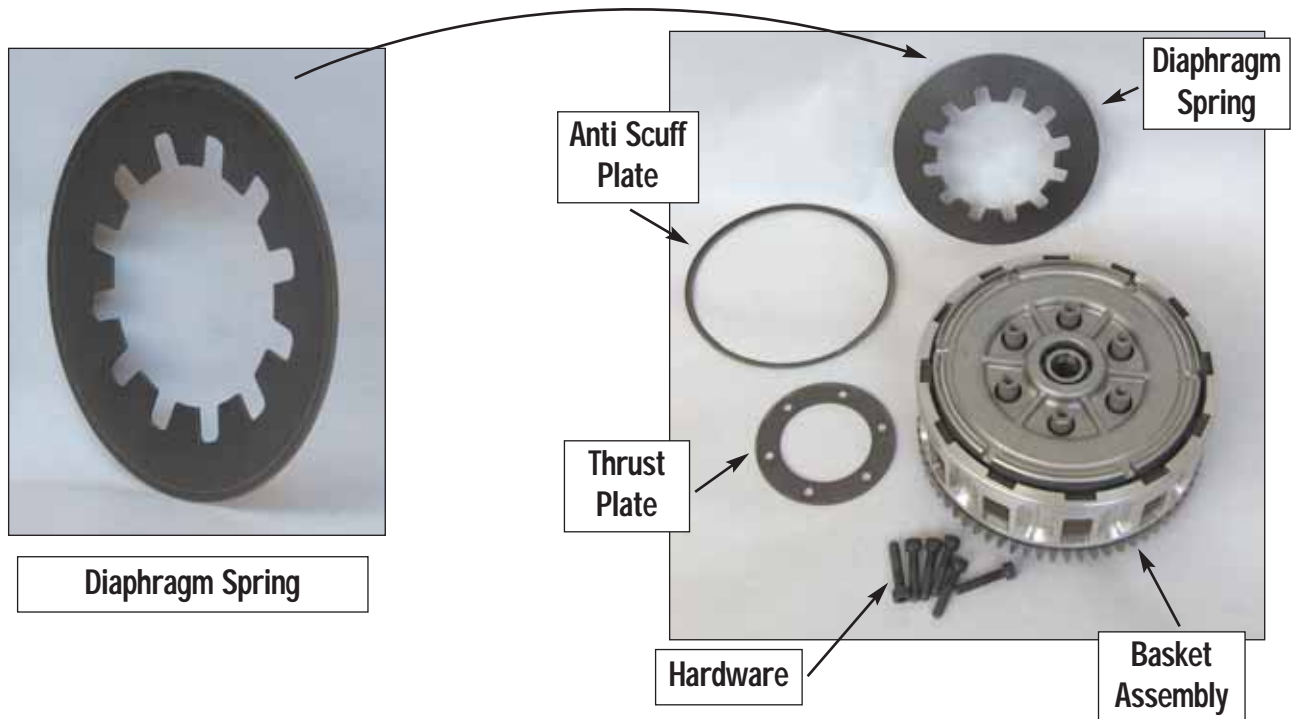
| |
|---------|
| CT001 |
| CT002 |
| CT003 |
| CT004 |
| CT005 |
| CT006 |
| CT007 |
| CT008 |
| CT009 |
| CT009SP |
| CT010 |
| CT011 |
| CT012 |
| CT012SP |
| CT013 |
| CT013SP |
| CT014 |
| CT015 |
| CT016 |
| CT017 |
| CT018SP |
| CT019 |
| CT020 |
| CT021 |
| CT022 |
| CT023 |
| CT024 |
| CT024SP |
| CT027 |
| CT028 |
| CT029 |
| CT029SP |
| CT030 |
| CT031 |
| CT032 |
| CT033SP |
| CT061 |



EBC Diaphragm Clutch Springs

EBC SRK/SRC clutch kits, shown on the following page now include the new diaphragm spring range.

The picture opposite shows a typical aftermarket billet clutch and how the assembly looks. It is essential when replacing the diaphragm spring that the anti-scuff plate is in good condition. This is a rather flimsy steel pressing and can become bent or distorted in which case it must be replaced, this is a genuine part available from your main dealer only.



CLUTCH APPLICATIONS

| Spring No. | Fitment Models | Spring No. | Fitment Models | | |
|------------|----------------------------------|------------|----------------|-------------------------------|-------|
| CSK900 | VF 700 F Interceptor | 84-85 | CSK903 | XVS 1300 Stryker | 11 |
| CSK900 | VF 750 F V45 Interceptor | 83-84 | CSK903 | XV 1900 Roadliner | 06-10 |
| CSK901 | VFR 750 R (RC 30) | 90 | CSK903 | XV 1900 Stratoliner | 06-10 |
| CSK902 | GSX R 600 V/W/X/Y | 97-00 | CSK903 | XV 1900 VVC/W/WC Roadline | 06-07 |
| CSK902 | GSX-R 750 T/V/W/X | 96-99 | CSK905 | CBR 1000 RR/RA/RAA | 08-11 |
| CSK902 | RF 900 RR | 94 | CSK906 | V-Max VMX 12 | 85-07 |
| CSK902 | GSX 1100 GM/GN/GP | 91-93 | CSK906 | XVZ 13 Venture | 86-88 |
| CSK902 | GSXR 1100 | 89-98 | CSK906 | XVZ 13 Venture Royale | 86-93 |
| CSK902 | GSF 1200 SV/SAV/SW/SX/SY/SK1-SK5 | 97-05 | CSK906 | XVZ 1300 Royal Star Venture/S | 99-11 |
| CSK903 | YZF 1000 R1 | 98-03 | CSK906 | XVZ 1300 Royal Star Boulevard | 99-00 |
| CSK903 | FJ 1100 L/LC/N/NC | 84-85 | CSK906 | XV 1600 Roadstar/Silverado | 99-03 |
| CSK903 | FJ 1200 | 86-94 | CSK906 | XV 1700 Road Star/S | 04-11 |
| CSK903 | FJR 1300 | 03-10 | CSK906 | XV 1700 Midnight Warrior | 05 |
| CSK903 | XVS 1300 V-Star | 07-10 | CSK906 | XV 1700 Road Star Silverado | 04-07 |

EBC CLUTCH KITS - ATV

EBC Clutches are totally Asbestos Free made from a cork based "anti-swell" facing impregnated with aluminum particles to reduce wear & heat fade. Kits are sold in pre-measured engine sets and should always be replaced in engine sets. USE ONLY MANUFACTURERS Drive case oils and avoid lead or other anti-friction additives. SOAK PLATES in drive case oil before installing. EBC Clutch Springs are 10-15% stiffer than stock springs to avoid slip. Diaphragm type springs are not available. Always check lever operating pressure for ease of clutch disengagement before riding or releasing motorcycle for use.

CAUTION – SAFETY WARNINGS FOR CONSUMERS

The following warnings now appear on the underside of our clutch packaging. For stocks in older packaging that do not display these safety warnings, we strongly recommend you photocopy these essential points and advise customers. Never start a motorcycle whilst in gear with clutch depressed. Never reverse a motorcycle with the engine running, the machine in gear and clutch depressed. Hold front brake lever on when selecting gears from standstill. Never engage gears from a standstill with engine revs above 1500 rpm. Check oil levels regularly. When fitting heavy duty clutch springs acquaint yourself with increased hand pressure required to depress clutch before riding motorcycle. We do not recommend the use of fully synthetic oils.

| Make & Model | Year | STANDARD | | UPGRADE | | | CT Tool # |
|---|-------------|-------------|--------------|------------------|---------------|--------------|-----------|
| | | CK Series # | Spring Kit # | DRC/SRC Series # | DRCF Series # | SRK Series # | |
| HONDA ATV THREE WHEELERS | | | | | | | |
| ATC 70 | 78-85 | CK1148 | CSK18 | | | | |
| ATC 110 | 79-85 | CK1156 | CSK18 | | | | |
| ATC 125 M | 84-85 | CK1156 | CSK21 | | | | |
| ATC 125 M | 86-87 | CK1151 | CSK48 | | | | CT012SP |
| ATC 185/185 S | 80-83 | CK1151 | CSK22 | | | | CT012SP |
| ATC 185/185 S Centrifugal (one way) clutch | 80-83 | CK5544 | | | | | |
| ATC 200 | 81-83 | CK1151 | CSK22 | | | | CT012SP |
| ATC 200 Centrifugal (one way) clutch | 81-83 | CK5544 | | | | | |
| ATC 200 E Big Red | 82-83 | CK1151 | CSK22 | | | | CT012SP |
| ATC 200 E Big Red Centrifugal (one way) clutch | 82-83 | CK5544 | | | | | |
| ATC 200 ES Big Red | 84 | CK1151 | CSK22 | | | | CT012SP |
| ATC 200 ES Big Red Centrifugal (one way) clutch | 84 | CK5544 | | | | | |
| ATC 200 M | 84-85 | CK1151 | CSK22 | | | | CT012SP |
| ATC 200 M Centrifugal (one way) clutch | 84-85 | CK5544 | | | | | |
| ATC 200 S | 84-86 | CK1151 | CSK22 | | | | CT012SP |
| ATC 200 S Centrifugal (one way) clutch | 84-86 | CK5544 | | | | | |
| ATC 200 X | 83-85 | CK1119 | CSK24 | | | | CT012SP |
| ATC 200 X | 86-87 | CK1119 | CSK30 | | | | CT012SP |
| ATC 250 R | 81-84 | CK1163 | CSK31 | | | | |
| ATC 250 R | 85 | CK1193 | CSK28 | DRC93 | | | CT013SP |
| ATC 250 R | 86 | CK1193 | CSK32 | DRC5 | | | CT013SP |
| ATC 250 ES Big Red | 85-87 | CK1194 | CSK4 | | | | CT013SP |
| ATC 250 SX | 85-87 | CK1194 | CSK4 | | | | CT013SP |
| ATC 350 X | 85-86 | CK1190 | CSK173 | | | | CT013SP |
| HONDA ATV FOUR WHEELERS | | | | | | | |
| TRX 70 Fourtrax | 86-87 | CK1148 | CSK18 | | | | |
| TRX 90 Fourtrax/Sportrax | 93-06 | CK1151 | N/A | | | | CT012SP |
| TRX 90 EX | 07-08 | CK1151 | N/A | | | | CT012SP |
| TRX 90 X | 09-11 | CK1151 | N/A | | | | CT012SP |
| TRX 125 Fourtrax | 85-86 | CK1156 | CSK21 | | | | |
| TRX 125 Fourtrax | 87-88 | CK1151 | CSK48 | | | | CT012SP |
| TRX 200 Fourtrax | 84 | CK1151 | CSK22 | | | | CT012SP |
| TRX 200 Fourtrax Centrifugal (one way) clutch | 84 | CK5544 | | | | | |
| TRX 200 SX Fourtrax | 86-88 | CK1119 | CSK172 | DRC4 | | | CT012SP |
| TRX 200 Fourtrax | 90-91 | CK1119 | CSK172 | DRC4 | | | CT012SP |
| TRX 200 D Type II Fourtrax | 91-97 | CK1119 | CSK172 | DRC4 | | | CT012SP |
| TRX 250 Fourtrax | 85-87 | CK1194 | CSK4 | | | | CT013SP |
| TRX 250 R Fourtrax | 86-87 | CK1193 | CSK32 | DRC5 | | | CT013 |
| TRX 250 R Fourtrax | 88-89 | CK1193 | CSK45 | DRC81 | | | CT013 |
| TRX 250 X Fourtrax | 87-88/91-92 | CK1190 | CSK4 | DRC44 | DRCF44 | | CT013SP |
| TRX 250 EX (Sportrax 250 EX) | 01-08 | CK1119 | CSK172 | DRC4 | | | CT012SP |
| TRX 250 TE/TEA Recon ES | 97-09/11 | CK1119 | CSK172 | DRC4 | | | CT012SP |
| TRX 250 TM/TMA Recon | 97-09/11 | CK1119 | CSK172 | DRC4 | | | CT012SP |
| TRX 250 X | 08-09/11 | CK1119 | CSK172 | DRC4 | | | CT012SP |
| TRX 300 All models (2wd & 4wd) Fourtrax | 88-00 | CK1196 | CSK23 | DRC6 | | | CT013SP |
| TRX 300 EX Fourtrax/Sportrax | 93-08 | CK1190 | CSK4 | DRC44 | DRCF44 | | CT013SP |

All part numbers, prefixes and suffixes shown in this catalog are unique and form a registered copyright as the property of EBC Brakes and its UK trademark owners

EBC CLUTCH KITS - ATV

| Make & Model | Year | STANDARD | | | UPGRADE | | CT Tool # |
|--|----------|-------------|--------------|------------------|---------------|--------------|-----------|
| | | CK Series # | Spring Kit # | DRC/SRC Series # | DRCF Series # | SRK Series # | |
| HONDA ATV FOUR WHEELERS CONTD. | | | | | | | |
| TRX 300 X | 09-11 | CK1190 | CSK4 | DRC44 | DRCF44 | | CT013SP |
| TRX 350 All models | 86-89 | CK1196 | CSK23 | DRC6 | | | CT013SP |
| TRX 350 TE/FE | 00-05 | CK1160 | CSK48 | DRC127 | | | CT013SP |
| TRX 350 TM/FM | 00-05 | CK1196 | CSK48 | DRC126 | | | CT013SP |
| FL 400 R Pilot | 89-90 | CK1234 | TBA | | | | |
| TRX 400 FW Fourtrax Foreman | 95-01/03 | CK1196 | CSK23 | DRC6 | | | CT013SP |
| TRX 400 EX Fourtrax/Sportrax | 99-08 | CK1193 | CSK73 | DRC100 | DRCF100 | | |
| TRX 400 FM Fourtrax Foreman | 02 | CK1196 | CSK23 | DRC6 | | | CT013SP |
| TRX 400 X | 09-11 | CK1193 | CSK73 | DRC100 | DRCF100 | | CT013 |
| TRX 420 TM/TMA Fourtrax Rancher | 07-11 | CK1154 | CSK154 | DRC237 | | | CT013SP |
| TRX 420 TE Fourtrax Rancher ES | 07-11 | CK1196 | CSK155 | DRC238 | | | CT013SP |
| TRX 420 FP/FPA Fourtrax Rancher 4x4 ES/EPS | 09-11 | CK1196 | CSK155 | DRC238 | | | CT013SP |
| TRX 420 FE/FEA Fourtrax Rancher 4x4/ES | 07-11 | CK1196 | CSK155 | DRC238 | | | CT013SP |
| TRX 420 FM/FMA Fourtrax Rancher 4x4 | 07-11 | CK1154 | CSK154 | DRC239 | | | CT013SP |
| TRX 420 FPM/FPMA Fourtrax 4WD | 09-11 | CK1154 | CSK154 | DRC239 | | | CT013SP |
| TRX 450 ES | 98-01 | CK1196 | CSK23 | DRC6 | | | CT013SP |
| TRX 450 R/ER | 04-10 | CK1302 | CSK32 | DRC131 | DRCF131 | | CT009 |
| TRX 450 S | 98-01 | CK1196 | CSK23 | DRC6 | | | CT013SP |
| TRX 450 FE | 02-04 | CK1196 | CSK23 | DRC6 | | | CT013SP |
| TRX 450 FM | 02-04 | CK1196 | CSK23 | DRC6 | | | CT013SP |
| TRX 500 FE/FEA Fourtrax Foreman 4x4/ES | 05-10 | CK1154 | CSK117 | DRC236 | | | CT013SP |
| TRX 500 FM/FMA Fourtrax Foreman 4x4 | 05-10 | CK1154 | CSK153 | DRC237 | | | CT013SP |
| TRX 500 FPE Fourtrax Foreman 4x4 ES/EPS | 08-10 | CK1154 | CSK117 | DRC236 | | | CT013SP |
| TRX 500 FE Fourtrax Foreman 4x4 EPS | 08-10 | CK1154 | CSK117 | DRC236 | | | CT013SP |
| TRX 500 TM Fourtrax Foreman 2x4 | 05-06 | CK1154 | CSK153 | DRC237 | | | CT013SP |
| TRX 700 XX | 08-11 | CK1302 | CSK32 | DRC240 | | | CT009 |
| KAWASAKI ATV THREE WHEELERS | | | | | | | |
| KLT 110 A1/A2/A3 | 84-86 | CK4463 | N/A | | | | |
| KLT 160 A1 | 85 | CK1119 | CSK3 | | | | CT012SP |
| KLT 185 A1/A2 | 86-87 | CK1119 | CSK3 | | | | CT012SP |
| KLT 200 A1/A2/A3 /A4/A4A | 81-83 | CK4425 | CSK148 | | | | CT004 |
| KLT 200 B1 | 83 | CK4425 | CSK148 | | | | CT004 |
| KLT 200 C1/C2 | 83-84 | CK4425 | CSK148 | | | | CT004 |
| KLT 250 A1/A2 | 82-83 | CK4425 | CSK148 | | | | CT004 |
| KLT 250 C1/C2/C3 | 83-85 | CK4425 | CSK148 | | | | CT004 |
| KLT 250 P1 Police | 84 | CK4425 | CSK148 | | | | CT004 |
| KXT 250 A1 Tecate | 84 | CK4433 | CSK148 | | | | CT006 |
| KXT 250 A2 Tecate | 85 | CK4465 | CSK10 | | | | CT006 |
| KXT 250 B1/B2 Tecate | 86-87 | CK4459 | CSK10 | DRC38 | | | CT006 |
| KAWASAKI ATV FOUR WHEELERS | | | | | | | |
| KLF 110 A1/A2/B1/B2 Mojave | 87-88 | CK4463 | N/A | | | | |
| KLF 185 A1/A1A/A2/A3/A4 Bayou | 85-88 | CK1119 | CSK3 | | | | CT012SP |
| KLF 220 A1-A15 Bayou | 88-02 | CK1180 | CSK116 | DRC224 | | | CT013SP |
| KLF 250 A1/A2/A3/A6F/A7F/A8F/A9F/AAF Bayou | 03-10 | CK1180 | CSK116 | DRC224 | | | CT013SP |
| KSF 250 A1-A18 Mojave | 87-04 | CK4425 | CSK148 | DRC225 | | | CT004 |
| KXF 250 A1/A2 Tecate 4 | 87-88 | CK4475 | CSK10 | | | | CT006 |
| KEF 300 A1-A6 Lakota | 95-00 | CK4419 | CSK151 | DRC233 | | | CT006 |
| KEF 300 B1/B2/B3 Lakota Sport | 01-03 | CK4419 | CSK151 | DRC233 | | | CT006 |
| KLF 300 A1/A2/B1-B17/C1-C17 Bayou | 86-05 | CK4419 | CSK151 | DRC233 | | | CT006 |
| KLF 400 B1-B7 Bayou (4 x 4) | 93-98 | CK4439 | CSK151 | DRC234 | | | CT006 |
| KSF 400 A1/A2 (KFX 400) | 03-04 | CK3433 | CSK79 | DRC105 | DRCF105 | | CT006 |
| KSF 400 A3/A6F (KFX 400) | 05-06 | CK3447 | CSK79 | DRC137 | DRCF137 | | CT006 |
| KFX 450 R (KSF 450 B8F/B9F/BAF) | 08-10 | CK4519 | CSK68 | DRC185 | | | CT006 |
| SUZUKI ATV THREE WHEELERS | | | | | | | |
| ALT 125 D/E/F/G | 83-86 | CK3328 | N/A | | | | CT011 |
| ALT 185 F | 85 | CK3328 | N/A | | | | CT011 |

CLUTCH APPLICATIONS

EBC CLUTCH KITS - ATV / STREET BIKES

| Make & Model | Year | STANDARD | | | UPGRADE | | CT Tool # |
|--|-------|-------------|--------------|------------------|---------------|--------------|-----------|
| | | CK Series # | Spring Kit # | DRC/SRC Series # | DRCF Series # | SRK Series # | |
| SUZUKI ATV FOUR WHEELERS | | | | | | | |
| LT 125 D/E/F/G/H | 83-87 | CK3328 | N/A | | | | CT011 |
| LT 160 EK /EL/EM/EN | 89-92 | CK3364 | CSK48 | DRC218 | | | CT011 |
| LT 160 K3/K4 | 03-04 | CK3364 | CSK48 | DRC218 | | | CT011 |
| LT-F 160 M/N/P/R/S/T/V/W/X/Y/K1/K3 | 91-03 | CK3364 | CSK48 | DRC218 | | | CT011 |
| LT 185 E/F/G/H | 84-87 | CK3328 | N/A | | | | CT011 |
| LT 230 GEF/GEG | 85-86 | CK3364 | CSK48 | DRC218 | | | CT011 |
| LT 230 SF/SG/SH/SJ up to E/No. 104360 | 85-88 | CK3364 | CSK34 | | | | CT011 |
| LT 230 SF/SG/SH/SJ from E/No. 104361 | 85-88 | CK3319 | CSK34 | DRC94 | | | CT011 |
| LT-F 230 G/H | 86-87 | CK3364 | CSK48 | DRC218 | | | CT011 |
| LT 230 EH/EJ/EK/EL/EM/EN/EP | 87-93 | CK3364 | CSK48 | DRC218 | | | CT011 |
| LT 250 EFF/EEG | 85-86 | CK3390 | CSK48 | DRC89 | | | CT011 |
| LT 250 SK/SL | 89-90 | CK3329 | CSK34 | DRC96 | | | CT011 |
| LT 250 RF | 85 | CK3319 | CSK34 | | | | CT011 |
| LT 250 RG | 86 | CK3319 | CSK146 | | | | CT011 |
| LT 250 RH/RJ/RK/RL/RM/RN | 87-92 | CK3372 | CSK34 | DRC23 | | | CT022 |
| LT-4WD Quadrunner 4WD H/J/K/L/M/N/P/R/S/T/V | 87-97 | CK3390 | CSK48 | DRC89 | | | CT011 |
| LT-F 4WD V/W Quadrunner 4WD (250cc) | 97-98 | CK3390 | CSK48 | DRC89 | | | CT011 |
| LT-F 250 J/K/L/M/N/P/R/S/V/W/X/Y/K1 | 88-01 | CK3390 | CSK48 | DRC89 | | | CT011 |
| LT-F 250 FX/FY/FK1/FK2 Quadrunner | 99-02 | CK3390 | CSK48 | DRC89 | | | CT011 |
| LT-F 250 K2 Ozark Up to frame JSAAJ51A22100696 | 02 | CK3364 | CSK48 | DRC220 | | | CT011 |
| LT-F 250 K2 Ozark From frame JSAAJ51A22100697- | 02 | CK3364 | CSK147 | DRC213 | | | CT011 |
| LT-F 250 K3 Ozark | 03 | CK3390 | CSK147 | DRC221 | | | CT011 |
| LT-F 250 K4 | 04 | CK3448 | CSK48 | DRC222 | | | CT011 |
| LT-F 250 K5/K6/K7/K8/K9 | 05-09 | CK3390 | CSK147 | DRC221 | | | CT011 |
| LT-Z 250 K4-K9 QuadSport | 04-11 | CK3448 | CSK48 | DRC222 | | | CT011 |
| LT 300 EH/EJ/EK Quadrunner | 87-88 | CK3390 | CSK48 | DRC89 | | | CT011 |
| LT-F 300 FX/FY/FK1/FK2 King Quad | 99-02 | CK3356 | CSK48 | DRC103 | | | CT011 |
| LT-F 4WDXM/N/P/R/S/T/V/W 300 King Quad | 91-97 | CK3356 | CSK48 | DRC103 | | | CT011 |
| LT-F 400 FK8/FK9 King Quad 400 FS | 08-09 | CK4439 | CSK98 | DRC120 | | | CT006 |
| LT-F 400 FCK8/FCK9 King Quad 400 FS Camo | 08-09 | CK4439 | CSK98 | DRC120 | | | CT006 |
| LT-F 400 FK2/FK3/FK4/FK5/FK6/FK7 (Eiger 4WD) | 02-07 | CK4439 | CSK98 | DRC120 | | | CT006 |
| LT-F 400 K2 Eiger Manual 2WD | 02 | CK4439 | CSK98 | DRC223 | | | CT006 |
| LT-F 400 K3/4/5/6/7 | 03-08 | CK4439 | CSK98 | DRC120 | | | CT006 |
| LT-F 400 FQK9 King Quad 400 FS Anniversary Edition | 09 | CK4439 | CSK98 | DRC120 | | | CT006 |
| LT-F 400 FL1 King Quad 400 FSi | 11 | TBA | TBA | | | | |
| LT-F 400 FCL1 King Quad Camo 400 FSi | 11 | TBA | TBA | | | | |
| LT-Z 400 K3/K4 QuadSport | 03-04 | CK3433 | CSK79 | DRC105 | DRCF105 | | CT006 |
| LT-Z 400 K5/K6/K7/K8/K9/L0 | 05-10 | CK3447 | CSK79 | DRC137 | DRCF137 | | CT006 |
| LT-R 450 K6/K7/K8/K9 | 06-11 | CK3450 | CSK125 | DRC164 | | | |
| LT-R 450 ZK8/ZK9 Quadtracer SE | 08-10 | CK3450 | CSK125 | DRC164 | | | |
| LT 500 RH/RJ/RK/RL | 87-90 | CK3374 | CSK34 | DRC26 | | | CT022 |
| LT-F 500 FW/FX/FY/FK1/FK2 Quadrunner | 98-02 | CK4439 | CSK88 | DRC217 | | | CT006 |
| LT-F 500 FK3/FK4/FK5/FK6/FK7 Vinson 4WD | 03-07 | CK3452 | CSK7 | DRC216 | | | CT006 |
| YAMAHA ATV THREE WHEELERS | | | | | | | |
| YT 125 G/H | 80-81 | CK2252 | N/A | | | | |
| YT 125 J/K/L/N | 82-85 | CK2251 | N/A | | | | |
| YT 175 J/K | 82-83 | CK2251 | N/A | | | | |
| YTM 200 K/L/N | 83-85 | CK2287 | CSK149 | DRC232 | | | CT010 |
| YTM 200 EK/EL/ERN | 83-85 | CK2287 | CSK149 | DRC232 | | | CT010 |
| YTM 225 DXK/DXL/ DXN | 83-85 | CK2287 | CSK52 | DRC104 | | | CT010 |
| YTM 225 DRN/DRS | 85-86 | CK2287 | CSK149 | DRC232 | | | CT010 |
| YTZ 250 N/S | 85-86 | CK2280 | CSK2 | DRC32 | | | CT008 |
| YAMAHA ATV FOUR WHEELERS | | | | | | | |
| YFM 50 S/T/RV/RW/RX Raptor | 04-08 | CK2303 | N/A | | | | |
| YFM 80 N/S/T/U (Moto 4) | 85-88 | CK2303 | N/A | | | | |
| YFM 80 D/E/F/G/H/J/K/L/M/N Badger | 91-01 | CK2303 | N/A | | | | |
| YFM 80 WP/WR/WS/RT/RV/RW/RX Raptor | 02-08 | CK2303 | N/A | | | | |
| YFM 80 GT/GV/GW/GX Grizzly | 05-08 | CK2303 | N/A | | | | |
| YFM 100 T/U/W/A/B Champ | 87-91 | N/A | N/A | | | | |

All part numbers, prefixes and suffixes shown in this catalog are unique and form a registered copyright as the property of EBC Brakes and its UK trademark owners

EBC CLUTCH KITS - STREET BIKES

| Make & Model | Year | STANDARD | | | UPGRADE | | CT Tool # |
|---|-------|-------------|--------------|------------------|---------------|--------------|-----------|
| | | CK Series # | Spring Kit # | DRC/SRC Series # | DRCF Series # | SRK Series # | |
| YAMAHA ATV FOUR WHEELERS CONTD. | | | | | | | |
| YFM 125 RA Raptor | 11 | CK1151 | CSK42 | | | | CT012 |
| YFM 200 N | 85 | CK2287 | CSK149 | DRC232 | | | CT010 |
| YFM 200 DXS/DXT/DXU/DXW (Moto 4) | 86-89 | CK2287 | CSK149 | DRC232 | | | CT010 |
| YFS 200 U/W/A/B/D/E/F/G/H/J/K/L/M/N/P/R/S/T/V Blaster | 88-06 | CK2313 | CSK42 | DRC42 | DRCF42 | | CT010 |
| YFM 225 S/T/U/W (Moto 4) | 86-89 | CK2287 | CSK52 | DRC104 | | | CT010 |
| YBF 250 D/E Timberwolf | 92-93 | CK2287 | CSK52 | DRC104 | | | CT010 |
| YFB 250 F/G/H/UH/J/UJ/UK Timberwolf | 94-98 | CK2287 | CSK52 | DRC104 | | | CT010 |
| YFB 250 FWF/FWG/FWH/FWJ/FWK/FWL/FWM Timberwolf | 94-00 | CK2287 | CSK52 | DRC104 | | | CT010 |
| YFM 250 W/A/B | 89-91 | CK2287 | CSK52 | DRC104 | | | CT010 |
| YFM 250 Bear Tracker L/LC/M/MC/XN/XHN/XP/XHP/XR/XHR/XS | 99-03 | CK2287 | CSK52 | DRC104 | | | CT010 |
| YFM 250 BT/BV Bruin | 05-06 | CK2287 | CSK52 | DRC104 | | | CT010 |
| YFM 250 BW/BX/BY Big Bear | 07-09 | CK2287 | CSK52 | DRC104 | | | CT010 |
| YFM 250 RX/RV/RZ/RA Raptor | 08-11 | CK2370 | CSK58 | DRC200 | DRCF200 | | CT005 |
| YFM 250 RSPX Special Edition | 08 | CK2370 | CSK58 | DRC200 | DRCF200 | | CT005 |
| YFM 250 RSPXC Special Edition Custom | 08 | CK2370 | CSK58 | DRC200 | DRCF200 | | CT005 |
| YFM 250 R (RSPA) | 11 | CK2370 | TBA | | | | CT005 |
| YFM 350 ERT/ERU/ERW/ERA/ERD/ERE/ERF | 87-94 | CK2290 | CSK58 | DRC33 | DRCF33 | | CT008 |
| YFM 350 ERG | 95 | CK2290 | CSK49 | DRC82 | | | CT008 |
| YFM 350 FWT/FWU/FWW/FWA/FWB/FWD/FWE (Big Bear) | 87-93 | CK2290 | CSK58 | DRC33 | DRCF33 | | CT008 |
| YFM 350 FWF/FWG/FWH/FWJ/FWBK (Big Bear) | 94-98 | CK2290 | CSK49 | DRC82 | | | CT008 |
| YFM 350 FWBL/LC Big Bear | 99 | CK2240 | CSK81 | DRC228 | | | CT008 |
| YFM 350 FXG/FXH/FXJ/FXK/FXL/FXM/FXN/FXP/FXR/FXS/FXT Wolverine | 95-05 | CK2240 | CSK81 | DRC228 | | | CT008 |
| YFM 350 UH/UJ/UK/UL/ULC | 96-99 | CK2290 | CSK49 | DRC82 | | | CT008 |
| YFM 350 XT/XU/XW/XA/XB/XD/XE/XF/XG/XH/XJ/XK/XL/XM/XN/XP/XR/XS (Warrior) | 87-04 | CK2290 | CSK58 | DRC33 | DRCF33 | | CT008 |
| YFM 350 RS/RT/RV/RW/RX/RV/RZ/RA Raptor | 04-11 | CK2290 | CSK58 | DRC33 | DRCF33 | | CT008 |
| YFZ 350 T/U/W/A/B/D/E/F/G/H/J/K/L/M/N/P/R/S/T/V (Banshee) | 87-06 | CK2279 | CSK2 | DRC43 | DRCF43 | | CT008 |
| YFP 350 U (Terrapro) | 88 | CK2279 | CSK58 | | | | CT008 |
| YFUJW/YFUITW Pro Hauler | 89 | CK2287 | CSK52 | DRC104 | | | CT010 |
| YFM 400 FWE/FWF/FWG/FWH /FWJ/FWK/FWL Kodiak | 93-99 | CK2290 | CSK49 | DRC82 | | | CT008 |
| YFM 400 FWNMC/FWNN/FWNHM Big Bear 4WD/Real Tree Xtra | 00-01 | CK2240 | CSK81 | DRC228 | | | CT008 |
| YFM 400 NM/NMC/NN/NHN/P/HP Big Bear 2WD | 00-03 | CK2240 | CSK81 | DRC228 | | | CT008 |
| YFM 400 FWR (4x4) Big Bear | 03 | CK2290 | CSK49 | DRC82 | | | CT008 |
| YFM 400 S Big Bear 2WD | 04 | CK2240 | CSK81 | DRC228 | | | CT008 |
| YFM 400 FS/FT Big Bear 4WD | 04-05 | CK2240 | CSK81 | DRC228 | | | CT008 |
| YFM 400 FBW/FBX Big Bear 4WD IRS | 07-08 | CK2240 | CSK81 | DRC228 | | | CT008 |
| YFM 400 FBHW Big Bear 400 Hunter-IRS | 07 | CK2240 | CSK81 | DRC228 | | | CT008 |
| YFM 400 FBEW Big Bear 400 IRS Exploring Edition | 07 | CK2240 | CSK81 | DRC228 | | | CT008 |
| YFZ 450 S/T/V | 04-06 | CK2364 | CSK17 | DRC159 | DRCF159 | | CT020 |
| YFZ 450 BBW Bill Balance Edition | 07 | CK2364 | CSK58 | DRC201 | DRCF201 | | CT020 |
| YFZ 450 SEW/SPX Special Edition | 07-08 | CK2364 | CSK58 | DRC201 | DRCF201 | | CT020 |
| YFZ 450 W/X/Y | 07-09 | CK2364 | CSK58 | DRC201 | DRCF201 | | CT020 |
| YFZ 450 RY/RZ | 09-10 | CK2274 | CSK58 | | | | CT020 |
| YFZ 450 XZ | 10 | CK2274 | CSK58 | | | | CT020 |
| YFM 660 RN/RP/RPB/RR/RS/RT Raptor | 01-05 | CK2297 | CSK14 | DRC88 | DRCF88 | | CT008 |
| YFM 700 RV/RW/RX/RY Raptor | 06-09 | CK2364 | CSK37 | DRC128 | DRCF128 | | CT020 |
| YFM 700 RSEW/RSPX/RSPY/RSPZ Special Edition | 07-10 | CK2364 | CSK37 | DRC128 | DRCF128 | | CT020 |
| ARCTIC CAT ATV FOUR WHEELERS | | | | | | | |
| 250 (2 x 4 / 4 x 4) | 01-04 | CK3390 | CSK48 | DRC89 | | | CT011 |
| 250 (2 x 4 / 4 x 4) | 05 | CK3390 | CSK48 | DRC89 | | | CT011 |
| 300 (2 x 4 / 4 x 4) | 98-04 | CK3356 | CSK48 | DRC103 | | | CT011 |
| 300 (4 x 4) | 05 | CK3356 | CSK48 | DRC103 | | | CT011 |
| 400 (2 x 4 / 4 x 4) | 98- | CK4439 | CSK88 | DRC215 | | | CT006 |
| 400 (2 x 4) | 98 | CK4439 | CSK88 | DRC214 | | | CT006 |
| 400 (2 x 4 / 4 x 4) | 00-02 | CK4419 | CSK88 | DRC215 | | | CT006 |
| 400 (2 x 4 / 4 x 4) | 03-04 | CK4439 | CSK98 | DRC120 | | | CT006 |
| 400 (4 x 4 Manual) | 05-08 | CK4439 | CSK98 | DRC120 | | | CT006 |
| 400 DVX | 04-06 | CK3433 | CSK79 | DRC105 | DRCF105 | | CT006 |
| 400 DVX | 07-08 | CK3447 | CSK79 | DRC137 | DRCF137 | | CT006 |
| Bearcat 454 (4 x 4) | 96-98 | CK4439 | CSK88 | DRC216 | | | CT006 |
| Bearcat 454 (2 x 4) | 97-98 | CK4439 | CSK88 | DRC216 | | | CT006 |

CLUTCH APPLICATIONS

EBC CLUTCH KITS - STREET BIKES

| Make & Model | Year | STANDARD | | | UPGRADE | | CT Tool # |
|--|-------------|-------------|--------------|------------------|---------------|--------------|-----------|
| | | CK Series # | Spring Kit # | DRC/SRC Series # | DRCF Series # | SRK Series # | |
| ARCTIC CAT ATV FOUR WHEELERS | | | | | | | |
| 500 (4 x 4) | 98-02 | CK4439 | CSK88 | DRC214 | | | CT006 |
| 500 (4 x 4 Manual) | 03-04 | CK3452 | CSK7 | DRC216 | | | CT006 |
| 500 (Manual 4x4) | 05-09 | CK3452 | CSK7 | DRC216 | | | CT006 |
| KTM ATV FOUR WHEELERS | | | | | | | |
| SX 450 | 09-10 | CK5638 | CSK136 | DRC184 | | | CT009 |
| XC 450 | 08-09 | CK5612 | CSK120 | DRC171 | | | CT023 |
| SX 505 | 09-10 | CK5638 | CSK136 | DRC184 | | | CT009 |
| XC 525 | 08-10 | CK5612 | CSK120 | DRC171 | | | CT023 |
| HONDA STREET BIKES | | | | | | | |
| MB 5 | 82 | CK1150 | CSK3 | | | | CT012SP |
| Dream 50 R (CB50R) (AR02) | 04 | CK1150 | CSK48 | | | | CT012SP |
| NSR 50 R (RS50) | 04 | CK1150 | CSK3 | | | | CT012SP |
| C 70 | 80-81 | CK1148 | CSK18 | | | | |
| C 70 | 82-83 | CK1148 | CSK18 | | | | |
| NSF 100 R | 06 | CK1151 | CSK23 | | | | CT012SP |
| CB 125 S/S1/S2 | 80-82 | CK1119 | CSK167 | | | | CT012SP |
| CB 125 S | 84-85 | CK1119 | CSK167 | | | | CT012SP |
| CB 125 TT | 90 | CK1252 | CSK84 | | | | CT012SP |
| CBR 125 R8 (Canada) | 08 | CK1252 | CSK105 | | | | CT012SP |
| CM 200 T | 80-82 | CK1119 | CSK9 | | | | CT012SP |
| CB 250 Nighthawk | 91-08 | CK1191 | CSK24 | | | | CT012SP |
| CBR 250 R | 11 | TBA | TBA | | | | |
| CM 250 C Rebel | 82-83 | CK1191 | CSK11 | | | | CT012SP |
| CMX 250 C/CD Rebel | 85-87 | CK1191 | CSK11 | | | | CT012SP |
| CMX 250 C/C2 Rebel | 96/97/99-11 | CK1191 | CSK11 | | | | CT012SP |
| VTR 250 Interceptor | 88-90 | CK1235 | CSK9 | | | | CT012SP |
| CB 350 F/F1 | | CK1140 | CSK4 | | | | CT013SP |
| CB 350 G/K2/K3/K4 | | CK1132 | CSK3 | | | | CT009 |
| CB 360/360 G/T | 75-76 | CK1132 | CSK4 | | | | CT009 |
| CJ 360 T | 76-77 | CK1132 | CSK4 | | | | CT009 |
| CB 400 F | 75-77 | CK1140 | CSK4 | | | | CT013SP |
| CB 400 T Hawk All models | 78-81 | CK1140 | CSK15 | | | | CT013SP |
| CB-1 (CB 400 F) | 89-90 | CK1228 | CSK6 | | | | CT009SP |
| CM 400 T | 79-81 | CK1140 | CSK47 | | | | CT013SP |
| CM 400 C Custom | 81 | CK1140 | CSK47 | | | | CT013SP |
| CM 400 E | 80-81 | CK1140 | CSK47 | | | | CT013SP |
| CB 450 K2-K7 | | CK1130 | N/A | | | | CT031 |
| CB 450 T Hawk | 82 | CK1140 | CSK47 | | | | CT013SP |
| CB 450 SC Nighthawk | 82-86 | CK1140 | TBA | | | | CT013SP |
| CB 450 DX-K | 89-92 | CK1140 | CSK47 | | | | CT013SP |
| CM 450 E | 82/83 | CK1140 | CSK15 | | | | CT013SP |
| CM 450 C Custom | 82 | CK1140 | CSK15 | | | | CT013SP |
| CMX 450 C Rebel | 86-87 | CK1140 | TBA | | | | CT013SP |
| CX 500 C/D Custom/Deluxe | 79-82 | CK1146 | CSK41 | | | | |
| CX 500 TC Turbo | 82 | CK1159 | CSK84 | | | | |
| FT 500 Ascot | 82-83 | CK1140 | CSK15 | | | | CT013SP |
| GB 500 | 89-90 | CK1219 | CSK16 | | | | CT009 |
| GL 500/ 500 I Silverwing/Silverwing Interstate | 81-82 | CK1146 | CSK41 | | | | |
| VT 500 C Shadow | 83-86 | CK1160 | CSK16 | | | | CT013SP |
| VT 500 FT Ascot | 83-84 | CK1160 | CSK16 | | | | CT013SP |
| VT 500 C Shadow | 85-86 | CK1160 | CSK16 | | | | CT013SP |
| VF 500 C V 30 Magna | 84-85 | CK1177 | CSK9 | | | | CT002 |
| VF 500 F Interceptor | 84-86 | CK1177 | CSK9 | | | | CT002 |
| CB 550 F/K | 75-78 | CK1146 | CSK9 | | | | |
| CB 550 K/K1 | 74-75 | CK1147 | CSK9 | | | | |
| CB 550 SC Nighthawk | 83 | CK1171 | CSK84 | | | | CT009 |
| 599 (CB 600 F) | 04/06 | CK1206 | CSK45 | SRC19 | | SRK19 | CT013SP |
| CBR 600 F Hurricane | 87 | CK1228 | CSK12 | SRC16 | | SRK16 | CT009SP |
| CBR 600 F1 | 88-89 | CK1228 | CSK12 | SRC16 | | SRK16 | CT009SP |

All part numbers, prefixes and suffixes shown in this catalog are unique and form a registered copyright as the property of EBC Brakes and its UK trademark owners

EBC CLUTCH KITS - STREET BIKES

| Make & Model HONDA STREET BIKES CONTD. | Year | STANDARD | | | UPGRADE | | CT Tool # |
|--|-------------|----------------|-----------------|---------------------|------------------|-----------------|--------------|
| | | CK Series # | Spring Kit # | DRC/SRC Series # | DRCF Series # | SRK Series # | |
| CBR 600 F1 | 90 | CK1228 | CSK47 | SRC42 | | SRK42 | CT009SP |
| CBR 600 F2 | 91-94 | CK1206 | CSK45 | SRC19 | | SRK19 | CT013SP |
| CBR 600 F3/SJR/SE | 95-98 | CK1206 | CSK45 | SRC19 | | SRK19 | CT013SP |
| CBR 600 F4 | 99-00 | CK1193 | CSK29 | SRC66 | | SRK66 | CT014 |
| CBR 600 F4i Sport | 01-06 | CK1218 | CSK45 | SRC57 | | SRK57 | CT014 |
| CBR 600 RR/RRA | 03-11 | CK1218 | CSK101 | SRC75 | | SRK75 | CT014 |
| CBR 600 RA/RAA ABS Model | 09-11 | CK1218 | CSK101 | SRC75 | | SRK75 | CT014 |
| VT 600 C Shadow VLX | 88 | CK1181 | CSK33 | | | | CT013SP |
| VT 600 C Shadow VLX | 89-90 | CK1230 | CSK28 | | | | CT013SP |
| VT 600 C/CD Shadow VLX/Shadow Deluxe CD2 | 91-07 | CK1181 | CSK33 | | | | CT013SP |
| CB 650 | 79-82 | CK1147 | CSK84 | | | | |
| CB 650 C Custom | 80-81 | CK1147 | CSK84 | | | | |
| CB 650 SC Nighthawk | 82 | CK1147 | CSK84 | | | | |
| CB 650 SC Nighthawk | 83-85 | CK1171 | CSK84 | | | | CT009 |
| CX 650 C Custom | 83 | CK1146 | CSK12 | | | | |
| CX 650 T Turbo | 83 | CK1159 | CSK84 | | | | |
| GL 650/650 I Silverwing/Silverwing Interstate | 83 | CK1147 | CSK12 | | | | |
| NT 650 Hawk GT | 88-90 | CK1230 | CSK28 | SRC64 | | SRK64 | CT013SP |
| CB 700 SC/S Nighthawk | 84-86 | CK1166 | CSK84 | | | | CT031 |
| NT 700 VVA | 10-11 | CK1230 | CSK33 | SRC62 | | SRK62 | CT013SP |
| VF 700 C Magna | 84-87 | CK1166 | CSK84 | | | | CT031 |
| VF 700 F Interceptor | 84-85 | CK1167 | CSK900 | SRC2 | | SRK2 | CT031 |
| VFR 700 F/F2 Interceptor | 86-87 | CK1206 | CSK28 | SRC3 | | SRK3 | CT014 |
| VF 700 S Sabre | 84-85 | CK1166 | CSK84 | | | | CT031 |
| VT 700 C Shadow | 84-87 | CK1166 | N/A | | | | CT031 |
| CB 750 C Custom | 80-82 | CK1149 | CSK41 | | | | CT021 |
| CB 750 F Supersport | 76 | CK1145 | CSK4 | | | | |
| CB 750 F Supersport | 79-82 | CK1149 | CSK41 | | | | CT021 |
| CB 750 K | 77-78 | CK1145 | CSK82 | | | | |
| CB 750 K | 79-82 | CK1149 | CSK41 | | | | CT021 |
| CB 750 L Limited Edition | 79 | CK1149 | CSK9 | | | | CT021 |
| CB 750 SC Nighthawk | 82-83 | CK1149 | CSK41 | | | | CT021 |
| CB 750 Nighthawk | 91-03 | CK1265 | CSK12 | | | | CT009SP |
| VF 750 C V45 Magna | 82-88 | CK1166 | CSK84 | | | | CT031 |
| VF 750 F V45 Interceptor | 83-84 | CK1167 | CSK900 | SRC2 | | SRK2 | CT031 |
| VF 750 C Magna/CD Magna Deluxe | 94-03 | CK1206 | CSK28 | SRC3 | | SRK3 | CT014 |
| RVF 750 R (RC 45) | 94 | CK1257 | N/A | | | | CT031 |
| VFR 750 F Interceptor 750 | 86 | CK1206 | CSK28 | SRC3 | | SRK3 | CT014 |
| VFR 750 F | 90-97 | CK1206 | CSK28 | SRC3 | | SRK3 | CT014 |
| VFR 750 R (RC 30) | 90 | CK1229 | CSK901 | SRC5 | | SRK5 | CT014 |
| VF 750 S V45 Sabre | 82 | CK1166 | CSK84 | | | | CT031 |
| VF 750 S V45 Sabre | 83 | CK1166 | N/A | | | | CT031 |
| VT 750 C Shadow | 83 | CK1166 | N/A | | | | CT031 |
| VT 750 C/CD/CD2 Shadow/Shadow Deluxe | 98-02 | CK1230 | CSK28 | | | | CT013SP |
| VT 750 C/CA Shadow Aero | 04-10 | CK1230 | CSK28 | | | | CT013SP |
| VT 750 Shadow Aero | 08-11 | CK1230 | CSK28 | | | | CT013SP |
| VT 750 C2/C2F Shadow Spirit | 08-11 | CK1230 | CSK28 | | | | CT013SP |
| VT 750 DC Shadow Spirit | 01-02 | CK1230 | CSK28 | | | | CT013SP |
| VT 750 DCA/DCB Shadow Spirit | 03-07 | CK1230 | CSK28 | | | | CT013SP |
| VT 750 CDA/CDB/CDC/CDD Shadow American Classic Edition | 02-03 | CK1230 | CSK28 | | | | CT013SP |
| VT 750 Shadow Phantom | 10-11 | CK1230 | CSK28 | | | | CT013SP |
| VT 750 RS Shadow | 10-11 | TBA | TBA | | | | |
| VT 800 Shadow | 88 | CK1166 | CSK24 | | | | CT031 |
| VFR 800 Fi | 98-99 | CK1206 | CSK29 | | | | CT014 |
| VFR 800 Fi | 00-01 | CK1253 | CSK29 | | | | CT014 |
| VFR 800 Interceptor/ABS | 02-11 | CK1218 | CSK29 | | | | |
| PC 800 Pacific Coast | 89-90/94-98 | CK1167 | CSK030 | | | | CT009 |
| CB 900 C Custom | 80-82 | CK1149 | CSK84 | | | | CT021 |
| CB 900 F Supersport | 81-82 | CK1149 | CSK84 | | | | CT021 |
| CBR 900 RR | 93-95 | CK1206 | CSK28 | SRC94 | | SRK94 | CT014 |
| CBR 900 RR | 96-97 | CK1284 | CSK45 | SRC55 | | SRK55 | CT014 |

CLUTCH APPLICATIONS

EBC CLUTCH KITS - STREET BIKES

| Make & Model HONDA STREET BIKES CONTD. | Year | STANDARD | | | UPGRADE | | CT Tool # |
|---|-------|----------------|-----------------|---------------------|------------------|-----------------|--------------|
| | | CK Series # | Spring Kit # | DRC/SRC Series # | DRCF Series # | SRK Series # | |
| CBR 900 RR | 98-99 | CK1218 | CSK45 | SRC57 | | SRK57 | CT014 |
| 919 (CB 900 F) | 02-07 | CK1218 | CSK45 | SRC57 | | SRK57 | CT014 |
| CBR 929 RR (929cc model) | 00-01 | CK1206 | CSK45 | SRC19 | | SRK100 | CT014 |
| CBR 954 RR | 02-03 | CK1206 | CSK45 | SRC19 | | SRK100 | CT014 |
| CBX | 79 | CK1183 | CSK84 | | | | |
| CBX | 80-82 | CK1183 | CSK10 | | | | |
| RVT 1000 R (RC51) | 00-01 | CK1291 | CSK43 | | | | CT021 |
| RVT 1000 (RC 51) | 02-06 | CK1300 | CSK43 | | | | CT021 |
| VTR 1000 F Superhawk | 98-05 | CK1290 | CSK66 | SRC60 | | SRK60 | CT009 |
| CB 1000 C Custom | 83 | CK1149 | CSK46 | | | | CT021 |
| CB 1000 | 94-95 | CK1248 | CSK29 | SRC4 | | SRK4 | CT009 |
| CB 1000 R | 11 | CK1303 | CSK112 | SRC80 | | SRK80 | CT009 |
| CBF 1000 A8 (Canada) | 08 | CK1303 | CSK90 | | | | |
| CBR 1000 F Hurricane | 87-88 | CK1248 | CSK29 | SRC4 | | SRK4 | CT009 |
| CBR 1000 F | 90-96 | CK1248 | CSK29 | SRC4 | | SRK4 | CT009 |
| CBR 1000 RR | 04-07 | CK1303 | CSK112 | SRC80 | | SRK80 | CT009 |
| CBR 1000 RR/RA | 08-11 | CK1312 | CSK905 | SRC95 | | SRK95 | CT009 |
| CBR 1000 RA/RAA ABS Model | 09-11 | CK1312 | CSK905 | SRC95 | | SRK95 | CT009 |
| GL 1000 Goldwing All models | 76-79 | CK1143 | CSK84 | | | | |
| GL 1000 K Goldwing (Up to Eng No 1020727) | 75 | CK1143 | CSK84 | | | | |
| GL 1000 K Goldwing (From Eng No 1020728) | 75 | CK1221 | CSK84 | | | | |
| VF 1000 F Interceptor | 84 | CK1176 | N/A | | | | CT031 |
| VF 1000 R | 85-86 | CK1176 | N/A | | | | CT031 |
| CB 1100 F Supersport | 83 | CK1149 | CSK46 | | | | CT021 |
| CBR 1100 XX Blackbird | 97-98 | CK1286 | CSK70 | | | | CT021 |
| CBR 1100 XX Blackbird | 99-03 | CK1291 | CSK43 | | | | CT021 |
| GL 1100/1100 I Goldwing/Goldwing Interstate | 80-83 | CK1159 | CSK84 | | | | |
| GL 1100 A Goldwing Aspencade | 82-83 | CK1159 | CSK84 | | | | |
| ST 1100/1100A | 91-01 | CK1264 | CSK33 | SRC70 | | SRK70 | CT009SP |
| VF 1100 C V65 Magna | 83-86 | CK4409 | N/A | | | | |
| VF 1100 S V65 Sabre | 84-85 | CK4409 | N/A | | | | |
| VT 1100 C Shadow 1100 | 85-86 | CK1209 | N/A | | | | CT031 |
| VT 1100 C Shadow 1100 | 87-94 | CK1239 | N/A | | | | CT031 |
| VT 1100 C Shadow 1100 | 95-96 | CK1239 | N/A | | | | CT031 |
| VT 1100 C Shadow 1100 Spirit | 97-06 | CK1176 | CSK68 | | | | CT031 |
| VT 1100 CS Shadow 1100 American Classic Edition | 95-97 | CK1176 | CSK68 | | | | CT031 |
| VT 1100 C2-2 Shadow 1100 American Classic Edition | 97 | CK1176 | CSK68 | | | | CT031 |
| VT 1100 D2 Shadow 1100 American Classic Edition | 99 | CK1176 | CSK68 | | | | CT031 |
| VT 1100 C2 Shadow Sabre | 00-06 | CK1176 | CSK68 | | | | CT031 |
| VT 1100 C3 Shadow Aero | 98-02 | CK1176 | CSK68 | | | | CT031 |
| VT 1100 T Shadow 1100 American Classic Edition Tourer | 98-01 | CK1176 | CSK68 | | | | CT031 |
| GL 1200/1200 I-A/1200 L Goldwing All models | 84-85 | CK1210 | N/A | | | | |
| GL 1200 I-A/GL 12SE-I | 86 | CK1224 | N/A | | | | |
| GL 1200 I/A Goldwing All models | 87 | CK1224 | N/A | | | | |
| VFR 1200 FA (Manual Gearbox Model) | 10-11 | CK1312 | CSK907 | SRC103 | | SRK103 | CT009 |
| VFR 1200 FDA (Automatic Transmission Model) | 10-11 | N/A | N/A | N/A | | N/A | |
| ST 1300/1300 A | 02-11 | CK1297 | CSK175 | | | | CT021 |
| VT 1300 CXA Fury (Non ABS Model) | 10-11 | CK1298 | CSK90 | | | | CT021 |
| VT 1300 CXAA Fury (ABS Model) | 10-11 | CK1298 | CSK90 | | | | CT021 |
| VT 1300 Sabre/Sabre ABS | 10-11 | TBA | TBA | | | | |
| VT 1300 Stateline/Stateline ABS | 10-11 | TBA | TBA | | | | |
| VT 1300 Interstate | 10-11 | TBA | TBA | | | | |
| VTX 1300 C | 04-11 | CK1298 | CSK90 | | | | CT021 |
| VTX 1300 S | 03-07 | CK1298 | CSK90 | | | | CT021 |
| VTX 1300 R | 05-11 | CK1298 | CSK90 | | | | CT021 |
| VTX 1300 T | 08-11 | CK1298 | CSK90 | | | | CT021 |
| GL 1500 Goldwing | 88-96 | CK1285 | N/A | | | | CT021 |
| GL 1500 A/SE/I Goldwing | 99-00 | CK1285 | N/A | | | | CT021 |
| GL 1500 C/CT/CF/CD Valkyrie/Valkyrie Tourer | 97-03 | CK1285 | N/A | | | | CT021 |
| GL 1800 A (ABS)/1800 Goldwing (All models) | 01-11 | CK1297 | N/A | | | | CT021 |
| NRX 1800 Rune DA/DB/EA | 04-05 | CK1297 | N/A | | | | CT021 |

All part numbers, prefixes and suffixes shown in this catalog are unique and form a registered copyright as the property of EBC Brakes and its UK trademark owners

EBC CLUTCH KITS - STREET BIKES

| Make & Model | Year | STANDARD | | | UPGRADE | | CT Tool # |
|-------------------------------------|-------|-------------|--------------|------------------|---------------|--------------|-----------|
| | | CK Series # | Spring Kit # | DRC/SRC Series # | DRCF Series # | SRK Series # | |
| HONDA STREET BIKES CONTD. | | | | | | | |
| VTX 1800 C/C1/C2/C3 | 02-08 | CK1298 | CSK90 | | | | CT021 |
| VTX 1800 R (Cast Models) | 02-08 | CK1298 | CSK90 | | | | CT021 |
| VTX 1800 S (Spoke Model) | 02-07 | CK1298 | CSK90 | | | | CT021 |
| VTX 1800 T1/T2 | 07-11 | CK1298 | CSK90 | | | | CT021 |
| VTX 1800 F1/F2/F3 | 05-11 | CK1298 | CSK90 | | | | CT021 |
| VTX 1800 N1/N2/N3 | 04-11 | CK1298 | CSK90 | | | | CT021 |
| KAWASAKI STREET BIKES | | | | | | | |
| AR 50 A1 | 82 | CK4442 | CSK18 | | | | |
| AR 80 A1 | 82 | CK4440 | CSK18 | | | | |
| BN 125 A4-A8/A6F/A7F/A9F Eliminator | 01-09 | CK4511 | CSK41 | | | | |
| EL 250 B2/B3 Eliminator | 88-89 | CK4473 | CSK4 | | | | CT016 |
| EL 250 E1/E2/E3/E4 250 HS | 91-95 | CK4473 | CSK4 | | | | CT016 |
| EX 250 E1/E2 Ninja | 86-87 | CK4473 | CSK4 | | | | CT016 |
| EX 250 F2-F19/D6F/D7F Ninja | 88-07 | CK4484 | CSK4 | | | | CT016 |
| EX 250 J8F/J9F/JAF/JBF Ninja 250 R | 08-11 | CK4521 | CSK142 | | | | |
| S1-A/B/C (250cc) | 73-75 | CK4436 | CSK1 | | | | |
| KH 250 A5 | 76 | CK4436 | CSK1 | | | | |
| KZ 250 D1 (LTD) | 80 | CK4425 | CSK148 | | | | CT004 |
| KZ 250 D2 (CSR) | 81 | CK4425 | CSK148 | | | | CT004 |
| KZ 250 L1 (CSR) | 82 | CK4425 | CSK148 | | | | CT004 |
| KZ 250 W1 (LTD) | 83 | CK4425 | CSK148 | | | | CT004 |
| KZ 305 A1/A2 (CSR) | 81-82 | CK4433 | CSK6 | | | | CT006 |
| KZ 305 B1 (CSR) | 82 | CK4433 | CSK6 | | | | CT006 |
| EX 305 B1 (GPz) | 83 | CK4433 | CSK6 | | | | CT006 |
| KZ 305 B2/B3 (LTD) | 87-88 | CK4433 | CSK6 | | | | CT006 |
| S2-A (350cc) | 72-73 | CK4436 | CSK13 | | | | |
| S2 (350cc) | 72-73 | CK4436 | CSK13 | | | | |
| S3/S3-A (400cc) | 74-75 | CK4425 | CSK13 | | | | CT004 |
| KH 400 A3/A4/A5 | 76-78 | CK4457 | CSK13 | | | | |
| KZ 440 A1/A2/A3/A4 | 80-83 | CK4421 | CSK7 | | | | |
| KZ 440 B1/B2 | 80-81 | CK4421 | CSK7 | | | | |
| KZ 440 D1/D2/D3/D4/D5 | 80-83 | CK4421 | CSK7 | | | | |
| KZ 440 G1 | 82 | CK4421 | CSK7 | | | | |
| EN 450 A1-A6 (454 LTD) | 85-90 | CK4424 | CSK10 | SRC11 | | SRK11 | CT016 |
| EN 500 A1-A7/C1-C10/C6F/C7F/C8F/C9F | 90-09 | CK4424 | CSK10 | SRC11 | | SRK11 | CT016 |
| EX 500 A1-A7/D1-D12/D6F/D7F/D8F/D9F | 87-09 | CK4424 | CSK10 | SRC11 | | SRK11 | CT016 |
| HI 500 Mach III | 69-70 | CK4425 | CSK7 | | | | CT004 |
| HI-A 500 S Mach III | 71 | CK4425 | CSK7 | | | | CT004 |
| HI-B 500 Mach III | 72 | CK4425 | CSK7 | | | | CT004 |
| HI-C 500 Mach III | 72 | CK4425 | CSK7 | | | | CT004 |
| HI-D 500 | 73 | CK4425 | CSK7 | | | | CT004 |
| HI-E 500 | 74 | CK4425 | CSK7 | | | | CT004 |
| HI-F 500 | 75 | CK4425 | CSK7 | | | | CT004 |
| KH 500 A8 | | CK4425 | CSK7 | | | | CT004 |
| KZ 550 A1/A2/A3/A4 | 80-83 | CK4424 | CSK10 | SRC11 | | SRK11 | CT016 |
| KZ 550 C1/C2/C3/C4 (LTD) | 80-83 | CK4424 | CSK10 | SRC11 | | SRK11 | CT016 |
| KZ 550 D1 (GPz) | 81 | CK4424 | CSK10 | SRC11 | | SRK11 | CT016 |
| KZ 550 F1 Spectre | 83 | CK4424 | CSK10 | SRC11 | | SRK11 | CT016 |
| KZ 550 F2 (LTD) | 84 | CK4424 | CSK10 | SRC11 | | SRK11 | CT016 |
| KZ 550 H1/H2 (GPz) | 82-83 | CK4424 | CSK10 | SRC11 | | SRK11 | CT016 |
| KZ 550 M1 (LTD) | 83 | CK4424 | CSK10 | SRC11 | | SRK11 | CT016 |
| ZX 550 A1/A2/A3 (GPz) | 84-86 | CK4424 | CSK10 | SRC11 | | SRK11 | CT016 |
| ZR 550 B1/B2/B3/B4 Zephyr | 90-93 | CK4424 | CSK10 | SRC11 | | SRK11 | CT016 |
| ZL 600 A1/A2 | 86-87 | CK4424 | CSK10 | SRC11 | | SRK11 | CT016 |
| ZL 600 Eliminator B2/B3 | 96-97 | CK4424 | CSK10 | SRC11 | | SRK11 | CT016 |
| ZX 600 A1/A2/A3/B1 Ninja | 85-87 | CK4424 | CSK10 | SRC11 | | SRK11 | CT016 |
| ZX 600 C1-C2 Ninja R | 88-89 | CK4424 | CSK10 | SRC11 | | SRK11 | CT016 |
| ZX 600 C3-C10 Ninja R | 90-97 | CK4424 | CSK10 | SRC11 | | SRK44 | CT016 |
| ZX 600 D1/D2/D3/D4 (ZX6) | 90-93 | CK4424 | CSK7 | SRC22 | | SRK22 | CT016 |
| ZX 600 E1-E13 (ZX6) | 93-05 | CK4424 | CSK43 | SRC43 | | SRK43 | CT016 |

CLUTCH APPLICATIONS

EBC CLUTCH KITS - STREET BIKES

| Make & Model KAWASAKI STREET BIKES CONTD. | Year | STANDARD | | | UPGRADE | | CT Tool # |
|--|-------|----------------|-----------------|---------------------|------------------|-----------------|--------------|
| | | CK Series # | Spring Kit # | DRC/SRC Series # | DRCF Series # | SRK Series # | |
| ZX 6R (ZX 600 F1/F2/F3/G1/G2) | 95-99 | CK4503 | CSK56 | SRC38 | | SRK108 | CT004 |
| ZX 6R (ZX 600 J1/J2/J3) | 00-02 | CK4503 | CSK56 | SRC38 | | SRK38 | CT004 |
| ZX 6R (ZX 636 A1) | 02 | CK4503 | CSK56 | SRC38 | | SRK38 | CT004 |
| ZX6R (ZX 636 B1/B2) 636cc | 03-04 | CK4503 | CSK56 | SRC38 | | SRK38 | CT004 |
| ZX6R (ZX 636 C1/C6F 636cc) | 05-06 | CK4514 | CSK117 | SRC84 | | SRK84 | CT004 |
| ZX 6R (ZX 600 P7F/P8F/R9F/RAF/RBF) | 07-11 | CK4514 | CSK165 | SRC101 | | SRK101 | CT004 |
| ZX6RR (ZX 600 K1) 599cc | 03 | CK4503 | CSK99 | SRC76 | | SRK76 | CT004 |
| ZX6RR (ZX 600 M1) | 04 | CK4514 | CSK99 | SRC83 | | SRK83 | CT004 |
| ZX6RR (ZX 600 N1/N6F 599cc) | 05-06 | CK4514 | CSK117 | | | SRK107 | CT004 |
| ZZR 600 (ZX 600 J4) | 05 | CK4503 | CSK56 | SRC38 | | SRK38 | CT004 |
| ZZR 600 J6F/J7F/J8F | 06-08 | CK4503 | CSK56 | SRC38 | | SRK38 | CT004 |
| ER6-n (ER650 C9F/CAF) | 09-10 | CK4424 | CSK7 | SRC22 | | SRK102 | CT016 |
| EX 650 A6F/A7F/A8F/C9F/CAF/CBF Ninja 650 R | 06-11 | CK4424 | CSK7 | SRC22 | | SRK102 | CT016 |
| KZ 650 B1/B2/B2A/B3 | 77-79 | CK4413 | CSK7 | | | | CT019 |
| KZ 650 C1/C2/C3 Custom | 77-79 | CK4413 | CSK7 | | | | CT019 |
| KZ 650 D1/D1A/D2 SR | 78-79 | CK4413 | CSK7 | | | | CT019 |
| KZ 650 E1 (LTD) | 80 | CK4413 | CSK7 | | | | CT019 |
| KZ 650 F1 | 80 | CK4413 | CSK7 | | | | CT019 |
| KZ 650 H1/H2/H3 (CSR) | 81-83 | CK4413 | CSK7 | | | | CT019 |
| W 650 (EJ 650 A1/A2/A3/A4) | 00-02 | CK4435 | CSK10 | SRC46 | | SRK46 | CT016 |
| KZ 700 A1 | 84 | CK4413 | CSK7 | | | | CT019 |
| VN 700 A1 Vulcan | 85 | CK4435 | CSK7 | SRC53 | | SRK53 | CT016 |
| ZN 700 A1/A2 (LTD) | 84-85 | CK4413 | CSK7 | | | | CT019 |
| H1/H2-A Mach IV (750-2T) | 72-73 | CK4415 | CSK23 | | | | CT004 |
| H2-B/H2-C Mach IV (750-2T) | 74-75 | CK4523 | CSK23 | | | | CT004 |
| KZ 750 E1/E2/E3 | 80-82 | CK4413 | CSK7 | | | | CT016 |
| KZ 750 F1 (LTD) | 83 | CK4413 | CSK7 | | | | CT019 |
| KZ 750 G1 (LTD) | 80 | CK4435 | CSK7 | SRC53 | | SRK53 | CT016 |
| KZ 750 H1/H2/H3/H4 (LTD) | 80-83 | CK4413 | CSK7 | | | | CT019 |
| KZ 750 K1/K2 (LTD) | 83-84 | CK4435 | CSK10 | | | | CT016 |
| KZ 750 L3 | 83 | CK4413 | CSK7 | | | | CT019 |
| KZ 750 M1 (CSR) | 82 | CK4435 | CSK7 | SRC53 | | SRK53 | CT016 |
| KZ 750 N1/N2 Spectre | 82-83 | CK4413 | CSK7 | | | | CT019 |
| KZ 750 R1 (GPz) | 82 | CK4413 | CSK7 | | | | CT019 |
| VN 750 A2-A21/A6F Vulcan | 86-06 | CK4435 | CSK7 | SRC53 | | SRK53 | CT016 |
| ZX 750 A1/A2/A3 (GPz) | 83-85 | CK4413 | CSK7 | | | | CT019 |
| ZX 750 E1/E2 (GPz Turbo) | 84-85 | CK4443 | CSK7 | | | | CT019 |
| ZX 750 F1/F2/F3/F4 Ninja | 87-90 | CK4435 | CSK7 | SRC53 | | SRK53 | CT016 |
| ZX 750 H1/H2 Ninja ZX-7 | 89-90 | CK4424 | CSK23 | | | | CT016 |
| ZX 750 K1/K2 | 91-92 | CK4435 | CSK88 | SRC24 | | SRK24 | CT016 |
| ZX 750 J1/J2 | 91-92 | CK4435 | CSK88 | SRC24 | | SRK24 | CT016 |
| ZX 750 L1/L2/L3 (ZX-7) | 93-95 | CK4435 | CSK88 | SRC24 | | SRK24 | CT016 |
| ZX 750 M1/M2 (ZX-7R) | 93-94 | CK4435 | CSK88 | SRC24 | | SRK24 | CT016 |
| ZX 750 P1-P8 (ZX 7 R) | 96-03 | CK4435 | CSK88 | SRC24 | | SRK24 | CT016 |
| ZX 750 N1/N2 (ZX 7 RR) | 96-99 | CK4435 | CSK38 | SRC41 | | SRK41 | CT016 |
| ZR 750 C1/C2/C3/C4 Zephyr | 91-93 | CK4493 | CSK10 | | | | CT019 |
| ZR 750 F2 (ZR-7) | 00-01 | CK4493 | CSK38 | | | | CT019 |
| Z 750 S (ZR 750 K1/K6F) | 05-06 | CK4503 | CSK56 | SRC38 | | SRK38 | CT004 |
| ZR7 S (ZR 750 H1/H2/H3/H4/H5) | 01-05 | CK4493 | CSK38 | | | | CT019 |
| VN 800 A1-A11/B1-B10 | 95-05 | CK4435 | CSK10 | SRC46 | | SRK46 | CT016 |
| VN 800 Drifter C1/C2/E1-E5/E6F | 99-06 | CK4435 | CSK7 | SRC53 | | SRK53 | CT016 |
| VN 900 Vulcan Classic LT (D6F/D7F/D8F/D9F/DAF/DBF) | 06-11 | CK4435 | CSK7 | SRC53 | | SRK53 | CT016 |
| VN 900 B6F/B7F/B8F/B9F/BAF/BBFA Vulcan Classic | 06-11 | CK4435 | CSK7 | SRC53 | | SRK53 | CT016 |
| VN 900 C7F/C8F/C9F/CAF/CBF | 07-11 | CK4435 | CSK7 | SRC53 | | SRK53 | CT016 |
| Z1 / A / B 900 | 73-75 | CK4409 | CSK7 | | | | CT019 |
| KZ900 A4 / A5 | 76-77 | CK4409 | CSK7 | | | | CT019 |
| KZ 900 B1 LTD | 76 | CK4409 | CSK7 | | | | CT019 |
| ZL 900 A1/A2 Eliminator | 85-86 | CK4434 | CSK7 | SRC52 | | SRK52 | CT016 |
| ZX 900 A1/A2/A3 Ninja | 84-86 | CK4435 | CSK7 | SRC53 | | SRK53 | CT016 |
| ZX-9R B1/B2/B3/B4 Ninja | 94-97 | CK4435 | CSK38 | SRC41 | | SRK41 | CT016 |
| ZX 9R (ZX 900 C1/C2/E1/E2) | 98-01 | CK4510 | CSK67 | SRC59 | | SRK59 | CT004 |

All part numbers, prefixes and suffixes shown in this catalog are unique and form a registered copyright as the property of EBC Brakes and its UK trademark owners

EBC CLUTCH KITS - STREET BIKES

| Make & Model KAWASAKI STREET BIKES CONTD. | Year | STANDARD | | | UPGRADE | | CT Tool # |
|--|----------|----------------|-----------------|---------------------|------------------|-----------------|--------------|
| | | CK Series # | Spring Kit # | DRC/SRC Series # | DRCF Series # | SRK Series # | |
| ZX9R (ZX 900 F1/F2) | 02-03 | CK4510 | CSK67 | SRC59 | | SRK59 | CT004 |
| KZ 1000 A1/A2/A2A/A3/A3A/A4 | 77-80 | CK4409 | CSK7 | | | | CT019 |
| KZ 1000 B1/B2/B3/B4 (LTD) | 79-80 | CK4409 | CSK7 | | | | CT019 |
| KZ1000 C1/C1A/C2/C3/C4 Police | 78-81 | CK4409 | CSK7 | | | | CT019 |
| KZ 1000 D1/D3 (Z1-R) | 78-80 | CK4409 | CSK7 | | | | CT019 |
| KZ 1000 E1/E2 Shaft | 79-80 | CK4434 | CSK7 | SRC52 | | SRK52 | CT016 |
| KZ 1000 G1 Classic | 80 | CK4409 | CSK7 | | | | CT019 |
| KZ 1000 J1/J2/J3 | 81-83 | CK4434 | CSK7 | SRC52 | | SRK52 | CT016 |
| KZ 1000 K1/K2 (LTD) | 81-82 | CK4434 | CSK7 | SRC52 | | SRK52 | CT016 |
| KZ 1000 M1/M2 (CSR) | 81-82 | CK4434 | CSK7 | SRC52 | | SRK52 | CT016 |
| KZ 1000 P1-P22/P24 Police | 82-03/05 | CK4434 | CSK7 | SRC52 | | SRK52 | CT016 |
| KZ 1000 R1/R2 Replica | 82-83 | CK4434 | CSK7 | SRC52 | | SRK52 | CT016 |
| Z 1000 (ZR 1000 A1/A2/A3) | 03-05 | CK4510 | CSK67 | SRC59 | | SRK59 | CT004 |
| Z 1000 (ZR 1000 A6F) | 06 | CK4510 | CSK67 | SRC59 | | SRK59 | CT004 |
| Z 1000 (ZR 1000 B7F/B8F) | 07-08 | CK4510 | CSK110 | | | | CT004 |
| Z 1000 (ZR 1000 C7F) | 07 | CK4510 | CSK110 | | | | CT004 |
| Z 1000 (ZR100DAF/DBF) | 10-11 | CK4510 | CSK169 | | | | CT004 |
| 1000 Ninja (ZX1000 GBF) | 11 | TBA | TBA | | | | |
| ZG 1000 A1-A20 Concours | 86-05 | CK4434 | CSK7 | SRC52 | | SRK52 | CT016 |
| ZG 1000 A6F Concours | 06 | CK4434 | CSK7 | SRC52 | | SRK52 | CT016 |
| ZL 1000 A1 | 87 | CK4434 | CSK7 | SRC52 | | SRK52 | CT016 |
| ZX 1000 A1/A2 Ninja | 86-87 | CK4434 | CSK7 | SRC52 | | SRK52 | CT016 |
| ZX 1000 B1/B2/B3 Ninja ZX10 | 88-90 | CK4434 | CSK7 | SRC52 | | | CT016 |
| ZX-10R (ZX 1000 C1/C2/D6F/D7F) | 04-07 | CK4510 | CSK111 | SRC79 | | SRK79 | CT004 |
| ZX-10R (ZX 1000 E8F/E9F/FAF) | 08-10 | CK4510 | CSK111 | SRC79 | | SRK79 | CT004 |
| ZX-10R (ZX1000 JBF) | 11 | TBA | TBA | | | | |
| KZ 1100 A1/A2/A3 | 81-83 | CK4434 | CSK7 | SRC52 | | SRK52 | CT016 |
| KZ 1100 B1/B2 (GPz) | 81-82 | CK4434 | CSK7 | SRC52 | | SRK52 | CT016 |
| KZ 1100 D1/D2 Spectre | 82-83 | CK4434 | CSK7 | SRC52 | | SRK52 | CT016 |
| KZ 1100 L1 (LTD) | 83 | CK4434 | CSK7 | SRC52 | | SRK52 | CT016 |
| ZN 1100 B1/B2 (LTD) | 84-85 | CK4434 | CSK7 | SRC52 | | SRK52 | CT016 |
| ZX 1100 A1/A2 (GPz) | 83-84 | CK4434 | CSK23 | SRC20 | | SRK20 | CT016 |
| ZR 1100 A1/A2/A3/A4 Zephyr | 92-95 | CK4434 | CSK23 | SRC20 | | SRK20 | CT016 |
| (ZR 1100 C3/C4) ZRX 1100 | 99-00 | CK4434 | CSK23 | SRC20 | | SRK20 | CT016 |
| ZX 1100 C1-C4/D1-D9 (ZX11) | 90-01 | CK4488 | CSK29 | SRC25 | | SRK25 | CT021 |
| ZX 1100 E1/E2/E3/F1 GPZ 1100 | 95-97 | CK4488 | CSK29 | SRC25 | | SRK25 | CT021 |
| ZG 1200 A1/B1-B4 | 86-90 | CK4434 | CSK10 | SRC54 | | | CT016 |
| ZG 1200 B5-B17 Voyager X11 | 91-03 | CK4434 | CSK10 | SRC54 | | SRK54 | CT016 |
| ZX12R (ZX 1200 A1) | 00 | CK4513 | CSK109 | | | | CT009 |
| ZX12R (ZX 1200 A2/B1-B4) | 01-05 | CK4515 | CSK109 | | | | CT009 |
| ZRX 1200 R (ZR 1200 A1-A5) | 01-05 | CK4434 | CSK38 | | | | CT016 |
| ZZR 1200 (ZX 1200 C1-C4) | 02-05 | CK4488 | CSK29 | SRC25 | | SRK25 | CT021 |
| KZ 1300 A1/A2/A3 | 79-81 | CK4452 | CSK10 | | | | |
| KZ 1300 A4 | 82 | CK4458 | CSK10 | | | | |
| KZ 1300 B2 Touring | 80 | CK4452 | CSK10 | | | | |
| ZN 1300 A1/A2/A3/A4/A5/A6 Voyager | 83-88 | CK4455 | CSK7 | | | | |
| Concours 14 (ZG 1400 A8F/A9F/CAF/CBF) ABS | 08-11 | CK4520 | CSK23 | | | | CT021 |
| Concours 14 (ZG 1400 B8F/B9F/DAF) | 08-11 | CK4520 | CSK23 | | | | CT021 |
| ZX -14 (ZX1400 A6F/A7F/C8F/C9F/CAF/CBF | 06-11 | CK4518 | CSK124 | | | | CT021 |
| VN 1500 A1-A12 Vulcan 88 | 87-98 | CK4455 | N/A | | | | CT032 |
| VN 1500 B1-B4/C3/C4 Vulcan 88 SE/Classic | 87-99 | CK4455 | N/A | | | | CT032 |
| VN 1500 D1/D2/E1-E7 Vulcan 88 SE/Classic | 96-04 | CK4455 | N/A | | | | CT032 |
| VN 1500 G1/G1A/G2A/G3 Nomad | 99-01 | CK4455 | N/A | | | | CT032 |
| VN 1500 Drifter J1/J2/R1-R5 | 99-05 | CK4455 | N/A | | | | CT032 |
| VN 1500 L2-L6 Vulcan 1500 Nomad F1 | 01-05 | CK4455 | N/A | | | | CT032 |
| VN 1500 N1-N3 Vulcan 1500 Classic Fi | 00-02 | CK4455 | N/A | | | | CT032 |
| VN 1500 Vulcan Mean Streak P1/P2 | 02-03 | CK4455 | N/A | | | | CT032 |
| VN 1500 N4/N6F/N7F/N7FA/N8F/N8FA Vulcan 1500 Classic | 05-08 | CK4455 | N/A | | | | CT032 |
| VN 1600 A1/A2/A3/A6F/A7F/A7FA/A8F/A8FA Classic | 03-08 | CK4455 | N/A | | | | CT032 |
| VN 1600 B1 Mean Streak | 04 | CK4455 | N/A | | | | CT032 |
| VN 1600 B2/B6F/B7F/B7FA/B8F/B8FA Mean Streak | 05-08 | CK4455 | N/A | | | | CT032 |

CLUTCH APPLICATIONS

EBC CLUTCH KITS - STREET BIKES

| Make & Model | Year | STANDARD | | | UPGRADE | | CT Tool # |
|---|-------------|-------------|--------------|------------------|---------------|--------------|-----------|
| | | CK Series # | Spring Kit # | DRC/SRC Series # | DRCF Series # | SRK Series # | |
| KAWASAKI STREET BIKES CONTD. | | | | | | | |
| VN 1600 D1/D6F/D7F/D7FA/D8F/D8FA Nomad | 05-08 | CK4455 | N/A | | | | CT032 |
| VN 1700 G9F/GAF Vulcan 1700 Classic LT | 09-10 | CK4516 | CSK170 | | | | CT032 |
| VN 1700 A9FA/AAF/ABF Vulcan 1700 Voyager | 09-11 | CK4516 | CSK170 | | | | CT032 |
| VN 1700 B9FA/BAF/BBF Vulcan 1700 Voyager ABS | 09-11 | CK4516 | CSK170 | | | | CT032 |
| VN 1700 C9F/CAF/CBF Vulcan 1700 Nomad | 09-11 | CK4516 | CSK170 | | | | CT032 |
| VN 1700 C9FA Vulcan 1700 Nomad 2T | 09 | CK4516 | CSK170 | | | | CT032 |
| VN 1700 E9F/EAF/EBF Vulcan 1700 Classic | 09-11 | CK4516 | CSK170 | | | | CT032 |
| VN 1700 G9F/GAF Vulcan 1700 Classic LT | 09-10 | CK4516 | CSK170 | | | | CT032 |
| VN 1700 JBF/JBFA Voyager Vaquero | 11 | TBA | TBA | | | | |
| VN 2000 A1/A2/A6F/A7F/G8F/G9F Vulcan | 04-09 | CK4516 | CSK110 | | | | CT032 |
| VN 2000 D1/D6F/G8F Vulcan Ltd | 05-06 | CK4516 | CSK110 | | | | CT032 |
| VN 2000 E6F/E7F/H8F/H9F Vulcan Classic | 06-09 | CK4516 | CSK110 | | | | CT032 |
| VN 2000 F6F/F7F/J8F/J9F/JAF Vulcan Classic LT | 06-10 | CK4516 | CSK110 | | | | CT032 |
| SUZUKI STREET BIKES | | | | | | | |
| RB 50 H (GSXR50) | 87 | CK3380 | CSK13 | | | | |
| GN 125 Z/D | 82-83 | CK3318 | CSK34 | | | | CT011 |
| GN 125 EM/EN/EP/ER/ES/ET/EV | 91-97 | CK3318 | CSK34 | | | | CT011 |
| GS 250 TT/TX | 80-81 | CK3329 | CSK36 | | | | CT011 |
| GN 250 Z/D/F/J | 82-88 | CK3358 | CSK158 | | | | CT029 |
| GZ 250 X/Y/K1-K9/LO Marauder | 99-10 | CK3358 | CSK68 | | | | CT029 |
| TU 250 XK9/L1 | 09-11 | CK3358 | CSK158 | | | | CT029 |
| GS 300 LZ/LD/LF | 82-85 | CK3356 | CSK34 | | | | CT011 |
| GSF 400 M/N/P | 91-93 | CK3397 | CSK34 | | | | CT011 |
| GN 400 T/XT/TX/TZ | 80-82 | CK3332 | CSK158 | | | | CT022 |
| GS 450 ET/ST/EX/SX/EZ/ED | 80-83 | CK3333 | CSK158 | | | | CT022 |
| GS 450 LT/LX/LZ/LD/LF/LG/LH/LJ | 80-88 | CK3333 | CSK158 | | | | CT022 |
| GS 450 TX/TZ/TXZ/TXD | 81-83 | CK3333 | CSK158 | | | | CT022 |
| GS 500 EK/EL/EM/EN/EP/ER/ES/ET/EV/EW/EX/EY/K1/K2/K3 | 89-03 | CK3333 | CSK61 | | | | CT022 |
| GS 500 FK4/FK5/FK6/FK7/FK8/FK9 | 04-10 | CK3333 | CSK61 | | | | CT022 |
| GS 550 B/C/EC/N/EN/ET | 77-80 | CK3344 | CSK159 | | | | CT018SP |
| GS 550 MZ | 82 | CK3344 | CSK159 | | | | CT018SP |
| GS 550 LT/LX/LZ | 80-82 | CK3344 | CSK159 | | | | CT018SP |
| GS 550 LD/LF/LG/TX | 81-85 | CK3344 | CSK159 | | | | CT018SP |
| GS 550 ED/ESD/ES3 | 83 | CK3344 | CSK159 | | | | CT018SP |
| GS 550 ESE/EF/ESF/ESG | 84-85 | CK3344 | CSK159 | | | | CT018SP |
| GSF 600 ST/SV/SW Bandit | 96-98 | CK3348 | CSK45 | | | | CT029 |
| GSF 600 SY/SK1/SK2 | 00-02 | CK3348 | CSK45 | | | | CT029 |
| GSX 600 FJ/FK/FL/FM Katana | 88-91 | CK3348 | CSK24 | SRC13 | | SRK13 | CT029 |
| GSX 600 FN/FP/FR/FS/FT/FV Katana | 92-97 | CK3387 | CSK45 | SRC17 | | SRK17 | |
| GSX 600 FW/FX/FY/FK1/FK2/FK3/FK4/FK5/FK6 - Katana | 98-06 | CK3357 | CSK45 | | | | CT029 |
| GSX R 600 WN/WP | 92-93 | CK3387 | CSK45 | SRC17 | | SRK104 | |
| GSX R 600 V/W | 97-98 | CK1206 | CSK902 | SRC58 | | SRK58 | CT014 |
| GSX R 600X/Y | 99-00 | CK1206 | CSK902 | SRC58 | | SRK106 | CT014 |
| GSXR 600 K1/K2/K3/ZK3/K4/K5 | 01-05 | CK1206 | CSK156 | SRC78 | | SRK78 | CT014 |
| GSXR 600 K6/K7 | 06-07 | CK3455 | CSK69 | SRC86 | | SRK86 | CT015 |
| GSXR 600 K8/K9 | 08-10 | CK3456 | CSK69 | SRC88 | | SRK88 | CT015 |
| GSXR 600 L1 | 10 | TBA | TBA | | | | |
| RF 600 RR/RS/RT | 94-96 | CK3408 | CSK45 | SRC45 | | SRK45 | |
| GR 650 D/XD | 83 | CK3357 | CSK26 | | | | CT029 |
| GS 650 EX/EZ/GX/GZ/GD | 81-83 | CK3330 | CSK159 | | | | CT018SP |
| GS 650 GLX/GLZ/GLD | 81-83 | CK3330 | CSK159 | | | | CT018SP |
| GS 650 MD | 83 | CK3330 | CSK159 | | | | CT018SP |
| GSX 650 FK8/FK9 | 08-10 | CK1218 | CSK122 | | | | CT014 |
| LS 650 FG/PG/FH/PH/PJ/PS/PT/PV/PW/PX/PY/PK1/PK2/PK3/PK4 | 86-88/95-04 | CK3359 | CSK24 | | | | CT029SP |
| LS 650 K5-K9/L1 Boulevard S40 (650cc) | 05-11 | CK3359 | CSK24 | | | | CT029SP |
| SFV 650 K9 Gladius | 09-10 | CK1219 | CSK133 | SRC82 | | SRK82 | CT033SP |
| SV 650 X/Y/K1/SK1/SK2/K2 | 99-02 | CK3377 | CSK69 | SRC81 | | SRK81 | CT022 |
| SV 650 K3/SK3/K4/SK4/K5/SK5/K6/SK6/K7/SK7/SK8/K8/SK9 | 03-10 | CK1219 | CSK133 | SRC82 | | SRK82 | CT033SP |
| SV 650 AK7/AK8/SAK7/SAK8/SAK9 ABS | 07-10 | CK1219 | CSK133 | SRC82 | | SRK82 | CT033SP |
| XN 85 D | 83 | CK3347 | CSK158 | | | | CT018SP |

All part numbers, prefixes and suffixes shown in this catalog are unique and form a registered copyright as the property of EBC Brakes and its UK trademark owners

EBC CLUTCH KITS - STREET BIKES

| Make & Model SUZUKI STREET BIKES CONTD. | Year | STANDARD | | | UPGRADE | | CT Tool # |
|--|-------|----------------|-----------------|---------------------|------------------|-----------------|--------------|
| | | CK Series # | Spring Kit # | DRC/SRC Series # | DRCF Series # | SRK Series # | |
| GS 700 EF/ESF | 85 | CK3330 | CSK115 | | | | CT018SP |
| GV 700 GLFG/GLF2 | 85 | CK3374 | CSK115 | | | | CT022 |
| VS 700 GLF/GLP/GLEF/GLEP/GLEG/GLEH | 86-87 | CK3377 | CSK115 | | | | CT029 |
| GS 750 B/C/EC/N/EN/LN | 77-79 | CK3324 | CSK16 | | | | CT018SP |
| GS 750 ET/EX/EZ | 80-82 | CK3330 | CSK158 | | | | CT018SP |
| GS 750 TZ/TD | 82-83 | CK3330 | CSK158 | | | | CT018SP |
| GS 750 LT/LX | 80-81 | CK3330 | CSK158 | | | | CT018SP |
| GS 750 ED/ESD | 83 | CK3330 | CSK115 | | | | CT018SP |
| GS 750 SD | 83 | CK3330 | TBA | | | | CT018SP |
| GSX 750 FK/FL/FM/FN/FP/FR/FS/FT | 89-96 | CK3391 | CSK12 | | | | |
| GSX 750 FW/FX/FY/FK1-FK6 Katana | 98-06 | CK3357 | CSK45 | | | | CT029 |
| GSX-R 750 RG (Dry Clutch) | 86 | CK3376 | N/A | | | | |
| GSX-R 750 G/H | 86-87 | CK3348 | CSK115 | SRC13 | | SRK13 | CT029 |
| GSX-R 750 J/K | 88-89 | CK3387 | CSK12 | SRC14 | | SRK14 | |
| GSX-R 750 L/M/N | 90-92 | CK3387 | CSK45 | SRC17 | | SRK17 | |
| GSX-R 750 WP/WR/WVS | 93-95 | CK3387 | CSK45 | SRC17 | | SRK104 | |
| GSX-R 750 T/V/W/X | 96-99 | CK3417 | CSK902 | SRC40 | | SRK40 | CT014 |
| GSXR 750 Y/K1 | 00-01 | CK1229 | CSK156 | SRC71 | | SRK71 | CT014 |
| GSXR 750 K2/K3 | 02-03 | CK3417 | CSK156 | | | | CT014 |
| GSXR 750 K4/K5 | 04-05 | CK3417 | CSK75 | | | | CT014 |
| GSXR 750 K6/K7/K8/K9/LO | 06-10 | CK3456 | CSK75 | SRC88 | | SRK88 | CT015 |
| GSXR 750 L1 | 11 | TBA | TBA | | | | |
| GT 750 K/L/M/A/B | 73-77 | CK3324 | CSK15 | | | | CT018SP |
| VS 750 GLPJ/GLPK/GLPL/GLPM | 88-91 | CK3377 | CSK115 | | | | CT029 |
| VL 800 K1-K4 Intruder Volusia | 01-04 | CK3377 | CSK66 | | | | CT029 |
| VL 800 K5/K6/CK5/TK5/CK6/TK6/K7/ZK7/K8/TK8/ZK8/K9/ZK9 /TK9 (C50/C50T Boulevard) | 05-10 | CK3377 | CSK66 | | | | CT029 |
| VX 800 L/M/N/P (8 spring CSK kit) | 90-93 | CK3377 | CSK162 | | | | CT029 |
| VS 800 Intruder GLN/GLP/GLR/GLS/GLT/GLV/GLW/GLX/GLY/GLK1 /GLK2/GLK3/GLK4 | 92-04 | CK3377 | CSK115 | | | | CT029 |
| VS 800 K5/K6/K7/K8/K9/LO S50 Boulevard | 05-10 | CK3377 | CSK115 | | | | CT029 |
| VZ 800 V/W/X/Y/K1-K4 Marauder (8 spring CSK kit) | 97-04 | CK3377 | CSK162 | | | | CT029 |
| VZ 800 K5/K6/BK6/K7/ZK7/K8/ZK8/ZK9/K9 (M50 Boulevard) | 05-10 | CK3377 | CSK66 | | | | CT029 |
| GS 850 GN/GT | 79-80 | CK3330 | CSK158 | | | | CT018SP |
| GS 850 GX/GZ/GD | 81-83 | CK3330 | CSK158 | | | | CT018SP |
| GS 850 GLT/GLX | 80-81 | CK3330 | CSK158 | | | | CT018SP |
| GS 850 GLZ/GLD | 82-83 | CK3330 | CSK158 | | | | |
| RF 900 RR | 94 | CK3418 | CSK902 | SRC39 | | SRK39 | |
| RF 900 RS/RS2/RT/RV | 95-97 | CK3417 | CSK29 | | | | CT014 |
| GS 1000 C/N/EC/EN/SN/ET/ST | 78-80 | CK3345 | CSK158 | | | | |
| GS 1000 SZ | 82 | CK3335 | CSK6 | | | | CT024SP |
| GS 1000 GT/GX | 80-81 | CK3335 | CSK158 | SRC50 | | SRK50 | CT024SP |
| GS 1000 GLT/GLX/SZ | 80-82 | CK3335 | CSK158 | SRC50 | | SRK50 | CT024SP |
| GSXR 1000 K1/K2/K3/K4/ZK4 | 01-04 | CK4510 | CSK128 | SRC89 | | SRK89 | CT004 |
| GSXR 1000 K5/K6/K7/K8 | 05-08 | CK3451 | CSK145 | SRC85 | | SRK85 | CT015 |
| GSXR 1000 K9/L1 | 09-11 | CK3462 | CSK160 | SRC97 | | SRK97 | CT009 |
| SV 1000 K3/SK3/K4/SK4/K5/SK5/SK6/SK7 | 03-07 | CK3443 | CSK114 | | | | CT021 |
| TL 1000 SV/SW | 97-98 | CK3417 | CSK78 | | | | CT014 |
| TL 1000 SX/SY | 99-00 | CK3428 | CSK71 | SRC68 | | SRK68 | CT009 |
| TL 1000 RW/RX/RV | 98-00 | CK3428 | CSK71 | SRC68 | | SRK68 | CT009 |
| TL 1000 RK1/RK2/RK3 | 01-03 | CK3435 | CSK71 | | | | CT009 |
| TL 1000 SK1 | 01-02 | CK3435 | CSK71 | | | | CT009 |
| GS 1100 ET/EX/EZ | 80-82 | CK3335 | CSK158 | SRC50 | | SRK50 | CT024SP |
| GS 1100 ED/ESD | 83 | CK3346 | CSK6 | | | | CT024SP |
| GS 1100 GZ/GD | 82-83 | CK3335 | CSK158 | SRC50 | | SRK50 | CT024SP |
| GS 1100 GLZ/GLD | 82-83 | CK3335 | CSK158 | SRC50 | | SRK50 | CT024SP |
| GS 1100 GKZ/GK2/GKD/GKE | 82-84 | CK3335 | CSK158 | SRC50 | | SRK50 | CT024SP |
| GS 1100 LT | 80 | CK3335 | CSK158 | SRC50 | | SRK50 | CT024SP |
| GS 1100 SD | 83 | CK3346 | CSK6 | | | | CT024SP |
| GSX 1100 FJ/FK/FL /FM/FN/FP | 88-93 | CK3381 | CSK12 | | | | |
| GSX 1100 GM/GN/GP | 91-93 | CK3392 | CSK902 | SRC10 | | SRK10 | |

CLUTCH APPLICATIONS

EBC CLUTCH KITS - STREET BIKES

| Make & Model SUZUKI STREET BIKES CONTD. | Year | STANDARD | | | UPGRADE | | CT Tool # |
|--|-------------|----------------|-----------------|---------------------|------------------|-----------------|--------------|
| | | CK Series # | Spring Kit # | DRC/SRC Series # | DRCF Series # | SRK Series # | |
| GSXR 1100 G/H/J | 86-88 | CK3381 | CSK115 | SRC15 | | SRK15 | |
| GSXR 1100 K/L/M/N | 89-92 | CK3392 | CSK902 | SRC10 | | SRK10 | |
| GSXR 1100 WR/WP/WS/WT/WV/WW | 93-98 | CK3418 | CSK902 | SRC39 | | SRK39 | |
| GS 1150 ES3/ESE/EFESF/EF2/EG/ESG | 83-86 | CK3335 | CSK6 | | | | CT024SP |
| GSF 1200 SV/SAV/SW/SX/SY/SK1-SK5 | 97-05 | CK3417 | CSK902 | SRC40 | | SRK40 | CT014 |
| GV 1200 GLF/GLF2/GLG | 85-86 | CK3375 | CSK115 | | | | CT029 |
| GSF 1250 SAK7/SAK8/SAK9 (ABS) | 07-10 | CK3459 | CSK124 | | | | CT021 |
| GSF 1250 SK7/SK8/SK9 Bandit | 07-10 | CK3459 | CSK124 | | | | CT021 |
| GSX 1250 FAL1 | 11 | TBA | TBA | | | | |
| GSX 1300 RX Hayabusa | 99 | CK3430 | CSK72 | SRC67 | | SRK67 | CT021 |
| GSX 1300 RY/RK1 Hayabusa | 00-01 | CK3430 | CSK171 | | | | CT021 |
| GSX 1300 RK2/RZK3/RK4/RZK4/RK5/RZK6/RK6/RK7 | 02-07 | CK3443 | CSK171 | | | | CT021 |
| GSX 1300 RK8/RK9/RL1 | 08-10 | CK3443 | CSK139 | | | | CT021 |
| GSX 1300 BKA8/K9 B-King ABS | 08-10 | CK3443 | CSK139 | | | | CT021 |
| GSX 1300 BKK8/K9 B-King | 08-10 | CK3443 | CSK139 | | | | CT021 |
| GV 1400 GDG/GTG/GCG/GDH/GTH/GCH/GDJ | 86-88 | CK3388 | CSK115 | | | | CT029 |
| VS 1400 GLPH/GLFH/GLPJ/GLPL/GLPM/GLPN/GLPP/GLPS /GLPT/GLPV/GLPW/GLPX/GLPY/GLPK1/GLPK2/GLPK3/GLPK4 | 87-04 | CK3382 | N/A | | | | CT029 |
| VS 1400 GLPK5/K6/K7/K8/K9/LO Boulevard S83 (1400cc) | 05-10 | CK3382 | N/A | | | | CT029 |
| VL 1500 W/X/Y/K1/K2/K3/K4 Intruder Legendary Classic | 98-04 | CK3335 | CSK31 | | | | CT024SP |
| VL 1500 BK5/K5/TK5/BK6/K6/TK6/K7/TK7/TK8/K8/K9/TK9 Boulevard C90/C90T | 05-10 | CK3335 | CSK31 | | | | CT024SP |
| VZ 1500 K9 M90 Boulevard | 09 | CK3459 | TBA | | | | CT021 |
| VZ 1600 K4 Marauder | 04 | CK4455 | N/A | | | | CT032 |
| VZ 1600 K5 M95 Boulevard/Marauder | 05 | CK4455 | N/A | | | | CT032 |
| VLR 1800 RTK8/RTK9 (C109RT Boulevard Touring) | 08-10 | CK3463 | CSK75 | | | | |
| VLR 1800 K8/K9 (C109R Boulevard) | 08-10 | CK3463 | CSK75 | | | | |
| VZR 1800 R2K8/R2K9/R2L1 (M109R2) | 08-11 | CK3457 | CSK122 | | | | |
| VZR 1800 K6/K7/ZK7/RK8/ZK8/RK9/RZK9/RL1 (M109R) | 06-11 | CK3457 | CSK122 | | | | |
| YAMAHA STREET BIKES | | | | | | | |
| RX 50 MK Midnight Special | 83 | CK2205 | CSK42 | | | | |
| RX 50 K/L 50 Special | 83/84 | CK2205 | CSK42 | | | | |
| YSR 50 T/U/W | 87-89 | CK2205 | CSK42 | | | | |
| YSR 50 A/B/D | 90-92 | CK2205 | CSK42 | | | | |
| XC 180 K/KC/L/LC/N/NC/DN/DWC/ZL/ZLC/ZN/ZNC | 83-85 | CK2298 | N/A | | | | |
| SR 185 H/J | 81/82 | CK2234 | CSK42 | | | | |
| SR 250 G/H/TH | 80-81 | CK2267 | CSK2 | | | | CT008 |
| SR 250 J | 82 | CK2267 | CSK2 | | | | CT008 |
| SRX 250 T/TC | 87 | CK2261 | CSK49 | | | | CT008 |
| XV 250 Route 66/Virago | 88-90/95-07 | CK2316 | CSK2 | | | | CT008 |
| XV 250 V-Star | 08-11 | CK2316 | CSK2 | | | | CT008 |
| RZ 350 L/N/NCII | 84-85 | CK2240 | CSK2 | | | | CT008 |
| FZR 400 U/W/SUC/SWC/A/SAC | 88-90 | CK2317 | CSK42 | SRC6 | | SRK6 | CT010 |
| RD 400 C/D/E | 76-78 | CK2240 | CSK2 | | | | CT008 |
| RD 400 F Daytona | 79 | CK2240 | CSK2 | | | | CT008 |
| XS 400 G/SG/H/SH/SJ | 80-82 | CK2279 | CSK2 | | | | CT008 |
| XS 400 J/K/RJ/RK | 82-83 | CK2262 | CSK2 | | | | CT017 |
| SR 500 E/F/G/H | 78-81 | CK2296 | CSK14 | | | | CT008 |
| XV 500 K Virago | 83 | CK2299 | CSK91 | | | | CT020 |
| XV 535 T/TC/U/A/AC/E/EC/F/FC/SF/SFC/G/GC/SG/SGC/H/HC/SH /SHC/J/JC/SJ/SJC Virago | 87-99 | CK2299 | CSK91 | | | | CT020 |
| XJ 550 H/J/K Maxim | 81-83 | CK2306 | CSK14 | | | | CT008 |
| XJ 550 RH/RJ/RK Seca | 81-83 | CK2306 | CSK14 | | | | CT008 |
| XZ 550 RJ/RK Vision | 82-83 | CK2296 | CSK14 | | | | CT008 |
| FJ 600 L/LC/N/NC | 84-85 | CK2255 | CSK14 | | | | CT008 |
| FZ 600 S/SC/T/TC/UC/U | 86-88 | CK2255 | CSK14 | | | | CT008 |
| FZR 600 W/WC/RA/AC/RAC/RB/RBC/RD/RDC/RE/REC/RF/RFC/RG /RGC/H/RHC/RJ/RJC/RK/RKC/RL/RLC | 89-99 | CK2315 | CSK42 | SRC7 | | SRK7 | CT010 |
| FZ6 (All models) | 04-09 | CK2255 | CSK17 | SRC51 | | SRK51 | CT008 |
| FZ6R (FZS 6Y/Z/A) | 09-11 | CK2255 | CSK17 | | | | CT008 |

All part numbers, prefixes and suffixes shown in this catalog are unique and form a registered copyright as the property of EBC Brakes and its UK trademark owners

EBC CLUTCH KITS - STREET BIKES

| Make & Model YAMAHA STREET BIKES CONTD. | Year | STANDARD | | | UPGRADE | | CT Tool # |
|---|-------|----------------|-----------------|---------------------|------------------|-----------------|--------------|
| | | CK Series # | Spring Kit # | DRC/SRC Series # | DRCF Series # | SRK Series # | |
| YZF 600 RJ/RK/RL/RM/RN/RP/RR/RS/RT/RV/RW | 95-07 | CK2332 | CSK102 | SRC33 | | SRK33 | |
| YZF 600 RL/RRL/RM/RMC/RN/RNC/P/PC R6 | 99-02 | CK2255 | CSK17 | SRC51 | | SRK51 | CT008 |
| YZF-R6 RRR/RRS/T/TC | 03-05 | CK2255 | CSK92 | SRC74 | | SRK74 | CT008 |
| YZF-R6 V/W/X/Y/Z/A | 06-11 | CK2318 | CSK126 | SRC87 | | SRK87 | |
| YZF-R6S (SV/SW/SX/SY) | 06-09 | CK2255 | CSK92 | SRC74 | | SRK74 | CT008 |
| SRX 600 S/SC | 86 | CK2297 | CSK14 | SRC72 | | SRK72 | CT008 |
| XJ 600 SD/SDC/SE/SEC/SF/SFC/SG/SGC/SH/SHC/SJ/SJC/SK | | | | | | | |
| /SKC Seca 11 | 92-98 | CK2255 | CSK14 | | | | CT008 |
| YX 600 S/SC/T/TC/U/UC/W/WC/A/AC | 86-90 | CK2255 | CSK14 | | | | CT008 |
| XJ 650 G/H/J/K/Maxim | 80-83 | CK2255 | CSK81 | | | | CT008 |
| XJ 650 LH Midnight | 81 | CK2255 | CSK81 | | | | CT008 |
| XJ 650 LJ/LK Seca Turbo | 82-83 | CK2255 | CSK14 | | | | CT008 |
| XJ 650 RJ Seca | 82 | CK2255 | CSK81 | | | | CT008 |
| TX 650 A/XS 650 B/C | 74-76 | CK2226 | CSK2 | | | | |
| XS 650 D/E/F/2F | 77-79 | CK2226 | CSK2 | | | | |
| XS 650 SG/G/H/SH/SJ/SK | 80-83 | CK2242 | CSK14 | | | | |
| XVS 650 V-Star Custom | 97-10 | CK2309 | CSK91 | | | | CT020 |
| XVS 650 V-Star Classic | 98-10 | CK2309 | CSK91 | | | | CT020 |
| XVS 650 V-Star Silverado | 03-10 | CK2309 | CSK91 | | | | CT020 |
| FZ 700 T/TC | 87 | CK2306 | CSK17 | | | | CT008 |
| FZX 700 S/SC/T/TC | 86-87 | CK2255 | CSK17 | SRC51 | | SRK51 | CT008 |
| XJ 700 N/NC/S/SC Maxim | 85-86 | CK2255 | CSK37 | | | | CT008 |
| XJ 700 XN/XNC/XS/XSC Maxim | 85-86 | CK2255 | N/A | | | | CT008 |
| XV 700 L/LC/N/NC Virago | 84-85 | CK2274 | CSK81 | | | | CT020 |
| XV 700 CS/CSC/SS/ST/STC/CT/CTC/SSC Virago | 86-87 | CK2274 | CSK81 | | | | CT020 |
| FZ 750 N | 85 | CK2255 | CSK17 | SRC51 | | SRK51 | CT008 |
| FZ 750 S/SC | 86 | CK2255 | CSK17 | SRC51 | | SRK51 | CT008 |
| FZ 750 U/UC | 88 | CK2306 | CSK17 | | | | CT008 |
| FZR 750 RT/RU | 87-88 | CK2308 | CSK17 | SRC8 | | SRK8 | CT008 |
| XJ 750 J/K/MK Maxim | 82-83 | CK2255 | CSK14 | | | | CT008 |
| XJ 750 RH/RJ/RK Seca | 81-83 | CK2255 | CSK14 | | | | CT008 |
| FZR 750 OWOI | 89-91 | CK2318 | CSK17 | SRC9 | | SRK9 | CT008 |
| XS 750 D/2D/E/F/SE/SF | 77-79 | CK2279 | CSK14 | | | | CT008 |
| XV 750 H/J/K/MK Virago | 81-83 | CK2274 | CSK81 | | | | CT020 |
| XV 750 U/UC/W/WCM Virago | 88-89 | CK2274 | CSK14 | | | | CT020 |
| XV 750 A/AC/B/BC Virago | 90 | CK2274 | CSK14 | | | | CT020 |
| XV 750 D/DC/E/EC/F/FC/G/GC/H/HCI/J/JC Virago | 92-97 | CK2274 | CSK14 | | | | CT020 |
| YZF 750 SP/RF/RFC/RG/RGC/RH/RHC | 94-96 | CK2318 | CSK17 | SRC9 | | SRK9 | CT008 |
| YZF 750 R7 OWO2 | 99-01 | CK2353 | N/A | | | | CT020 |
| FZ8 | 11 | CK2364 | CSK119 | | | | CT020 |
| XS 850 G/H/LG/LH/SG/SH | 80-81 | CK2273 | CSK14 | | | | CT008 |
| TDM 850 D/DC/E/EC | 92-93 | CK2255 | CSK17 | SRC51 | | SRK51 | CT008 |
| XJ 900 RK Seca | 83 | CK2255 | CSK14 | | | | CT008 |
| XV 920 RH/RJ | 81-82 | CK2274 | CSK14 | | | | CT020 |
| XV 920 J/K/MK Virago | 82-83 | CK2274 | CSK14 | | | | CT020 |
| XVS 950 V-Star 950 | 09-11 | CK2379 | TBA | | | | CT017 |
| XVS 950 V-Star 950 Tourer | 09-11 | CK2379 | TBA | | | | CT017 |
| FZR 1000 T/TC/U/UC Genesis | 87-88 | CK2308 | CSK17 | SRC8 | | SRK8 | CT008 |
| FZR 1000 W/WC/A/AC/B/BC/D/DC | 89-92 | CK2321 | CSK37 | SRC31 | | SRK31 | CT008 |
| FZR 1000 E/EC/F/FC/G/GC | 93-95 | CK2327 | CSK37 | SRC29 | | SRK29 | CT008 |
| FZ1 FZS 1000 N/NC/P/PC/R/RC/S/SC/RS/T | 01-05 | CK2358 | CSK37 | | | | CT008 |
| (FZ1) FZS 1000 V/W/X/Y/Z/A | 06-11 | CK2356 | CSK119 | SRC77 | | SRK77 | CT020 |
| GTS 1000 AE/AEC/AF/AFC | 93-94 | CK2327 | CSK17 | | | | CT008 |
| XV 1000 L/LC/N/NC Virago | 84-85 | CK2274 | CSK14 | | | | CT020 |
| YZF 1000 R (RJ) | 97 | CK2327 | CSK37 | SRC29 | | SRK29 | CT008 |
| YZF 1000 R1 | 98 | CK2226 | CSK903 | SRC56 | | SRK56 | CT017 |
| YZF 1000 R1 | 99-03 | CK2350 | CSK903 | SRC65 | | SRK65 | CT017 |
| YZF R1 (5VY) | 04-06 | CK2356 | CSK119 | SRC77 | | SRK77 | CT020 |
| YZF R1 LE | 06 | CK2356 | CSK120 | SRC93 | | SRK93 | CT020 |
| YZF-R1 (6 piston caliper) | 07-08 | CK2356 | CSK120 | SRC93 | | SRK93 | CT020 |
| YZF-R1 (6 piston caliper) | 09-11 | CK2352 | CSK120 | SRC96 | | SRK96 | CT020 |

CLUTCH APPLICATIONS

EBC CLUTCH KITS - STREET BIKES

| Make & Model YAMAHA STREET BIKES CONTD. | Year | STANDARD | | | UPGRADE | | CT Tool # |
|--|-------------|----------------|-----------------|---------------------|------------------|-----------------|--------------|
| | | CK Series # | Spring Kit # | DRC/SRC Series # | DRCF Series # | SRK Series # | |
| FJ 1100 L/LC/N/NC | 84-85 | CK2285 | CSK903 | | | | CT017 |
| XJ 1100 J Maxim | 82 | CK2230 | CSK14 | | | | CT017 |
| XS 1100 | 82 | CK2230 | CSK14 | | | | CT017 |
| XS 1100 H Venturer | 82 | CK2230 | CSK14 | | | | CT017 |
| XS 1100 SF/SG/SH | 82 | CK2230 | CSK14 | | | | CT017 |
| XS 1100 LG/LH Midnight Special | 82 | CK2230 | CSK14 | | | | CT017 |
| XV 1100 S/SC/T/TC/U/UC/W/WC/A/AC/B/BC/D/DC/E/EC/F/FC/G/GC | | | | | | | |
| /H/HC/SH/SHC/J/JC/SJ/SJC Virago | 86-97 | CK2274 | N/A | | | | CT020 |
| XVS 1100 V-star Custom L/LC/M/MC/N/NC/P/PC/R/RC/S/T | 99-08 | CK2274 | N/A | | | | CT020 |
| XVS 1100 V-Star Classic | 01-09 | CK2274 | N/A | | | | CT020 |
| XVS 1100 ATS V-Star Silverado | 03-09 | CK2274 | N/A | | | | CT020 |
| XVS 1100 W-M V-star Custom Midnight | 07 | CK2274 | N/A | | | | CT020 |
| FJ 1200 S/SC/T/TC/U/UC/W/WC/A/B/AD/ADC/D/DC/AE/AEC | 86-94 | CK2285 | CSK903 | | | | CT017 |
| XVZ 12 TK Venture | 83 | CK2300 | CSK46 | | | | |
| XVZ 12 TDK Venture Royale | 83 | CK2300 | CSK46 | | | | |
| XVZ 12 L/KC2 Venture | 84 | CK2300 | CSK46 | | | | |
| XVZ 12 DL/DKC2 Venture Royale | 84 | CK2300 | CSK46 | | | | |
| XVZ 12 DN Venture Royale | 85 | CK2300 | CSK46 | | | | |
| V-Max VMX 12 N/NC | 85 | CK2300 | CSK906 | | | | |
| V-Max VMX 12 S/SC | 86 | CK2300 | CSK906 | | | | |
| VMX 12 U/UC V-Max W/WC/A/AC/B/BC/D/DC/E/EC/F/FC/G/GC/H/HC | | | | | | | |
| /J/JC/K/KC/L/LC/M/MC/N/NC/P/PC/R/RC/S/SC/T/V/VV | 88-07 | CK2300 | CSK906 | | | | |
| FJR 1300 R/RC/S/RS/RT | 03-05 | CK2362 | CSK903 | | | | CT017 |
| FJR 1300 AV/AEV/AW/AEW/AX/AEX/AY/AEY/AZ/AA | 06-11 | CK2362 | CSK903 | | | | CT017 |
| XVS 1300 V-Star 1300 Tourer | 07-11 | CK2362 | CSK903 | | | | CT017 |
| XVS 1300 V-Star | 07-11 | CK2362 | CSK903 | | | | CT017 |
| XVS 1300 Stryker | 11 | CK2362 | CSK903 | | | | CT017 |
| XVZ 13 DS/DSC Venture | 86 | CK2300 | CSK906 | | | | |
| XVZ 13 T/TC Venture | 87-88 | CK2300 | CSK906 | | | | |
| XVZ 13 DS/DSC/DT/DTC/DU/DUC/DW/DWC/DAC/DB/DBC Venture Royale | 86-89 | CK2300 | CSK906 | | | | |
| XVZ 13 DD/DDC/DE/DEC Venture Royale | 92-93 | CK2300 | CSK906 | | | | |
| XVZ 1300 Royal Star | 96-97/00 | CK2300 | CSK906 | | | | |
| XVZ 1300 Royal Star Boulevard | 99-01 | CK2300 | CSK906 | | | | |
| XVZ 1300 Royal Star Midnight Venture | 20-07 | CK2300 | CSK906 | | | | |
| XVZ 1300 Royal Star Standard | 98 | CK2300 | CSK906 | | | | |
| XVZ 1300 Royal Star Tour Classic | 96-00 | CK2300 | CSK906 | | | | |
| XVZ 1300 Royal Star Tour Deluxe | 97-01/05-07 | CK2300 | CSK906 | | | | |
| XVZ 1300 Royal Star Venture | 99-07 | CK2300 | CSK906 | | | | |
| XVZ 1300 Royal Star Venture S | 08/10-11 | CK2300 | CSK906 | | | | |
| XVZ 1300 CTMV/CTMW/CTMX/CTMY Royal Star Midnight Tour Deluxe | 06-07 | CK2300 | CSK906 | | | | |
| XVZ 1300 LTK Venture | 96-98 | CK2300 | CSK906 | | | | |
| XVZ 1300 Venture MM Limited Edition | 01 | CK2300 | CSK906 | | | | |
| XV 1600 Road Star | 01-05 | CK2351 | CSK906 | | | | |
| XV 1600 Road Star Silverado | 01-09 | CK2351 | CSK906 | | | | |
| XV 1600 Road Star Midnight | 03 | CK2351 | CSK906 | | | | |
| XV 1600 Midnight Star | 02-03 | CK2351 | CSK906 | | | | |
| VMX 1700 V-Max (6 piston radial caliper) | 09-11 | CK2380 | TBA | | | | CT017 |
| XV 1700 Road Star Silverado S | 08-11 | CK2351 | CSK906 | | | | |
| XV 1700 Road Star (Spoke wheel) | 06 | CK2351 | CSK906 | | | | |
| XV 1700 Road Star (Cast wheel) | 04/07-10 | CK2351 | CSK906 | | | | |
| XV 1700 Road Star S (Cast wheel) | 08-11 | CK2351 | CSK906 | | | | |
| XV 1700 Road Star Midnight (Cast Wheel) | 04-07 | CK2351 | CSK906 | | | | |
| XV 1700 Road Star Midnight Warrior | 05 | CK2351 | CSK906 | | | | |
| XV 1700 Road Star Midnight Silverado (Cast wheel) | 04-07 | CK2351 | CSK906 | | | | |
| XV 1900 Roadliner | 06-07 | CK2367 | CSK903 | | | | CT017 |
| XV 1900 MV/MVC/MW/MWC/MX/MY Roadliner Midnight | 06-09 | CK2367 | CSK903 | | | | CT017 |
| XV 1900 Roadliner S | 06-10 | CK2367 | CSK903 | | | | CT017 |
| XV 1900 Raider | 08-11 | CK2367 | TBA | | | | CT017 |
| XV 1900 Raider S | 08-11 | CK2367 | TBA | | | | CT017 |
| XV 1900 Stratoliner | 06-09 | CK2367 | CSK903 | | | | CT017 |
| XV 1900 Stratoliner Midnight | 06-08 | CK2367 | CSK903 | | | | CT017 |

All part numbers, prefixes and suffixes shown in this catalog are unique and form a registered copyright as the property of EBC Brakes and its UK trademark owners

EBC CLUTCH KITS - STREET BIKES

| Make & Model YAMAHA STREET BIKES CONTD. | Year | STANDARD | | | UPGRADE | | CT Tool # |
|--|-------|----------------|-----------------|---------------------|------------------|-----------------|--------------|
| | | CK Series # | Spring Kit # | DRC/SRC Series # | DRCF Series # | SRK Series # | |
| XV 1900 Stratoliner S | 06-10 | CK2367 | CSK903 | | | | CT017 |
| XV 1900 Stratoliner Deluxe | 11 | CK2367 | CSK903 | | | | CT017 |
| APRILIA STREET BIKES | | | | | | | |
| RSV 1000 R Factory/R | 04-08 | CK6680 | CSK200 | | | | |
| KTM STREET BIKES | | | | | | | |
| 640 Duke-E | 98 | CK5639 | CSK129 | DRC196 | | | CT030 |
| 640 Duke-II | 99-04 | CK5639 | CSK129 | DRC196 | | | CT030 |
| 690 Duke | 08-11 | CK5642 | CSK131 | DRC205 | | | |
| 690 SMR (Cast Wheel) | 07-09 | CK5642 | CSK129 | DRC205 | | | |
| 990 Superduke | 05-11 | CK5634 | CSK130 | DRC177 | | | CT015 |
| 990 Superduke R | 07-11 | CK5634 | CSK130 | DRC177 | | | CT015 |
| 1190 R RC8 | 09 | CK5644 | CSK161 | SRC98 | | SRK98 | CT021 |
| 1190 RC8 | 08-11 | CK5644 | CSK161 | SRC98 | | SRK98 | CT021 |
| TRIUMPH STREET BIKES | | | | | | | |
| Adventurer | 96-01 | CK5588 | CSK68 | | | | CT021 |
| Bonneville America | 02-07 | CK5608 | CSK15 | | | | |
| T595 Daytona | 97 | CK5589 | CSK29 | | | | CT009 |
| Daytona 600 | 03-04 | CK1206 | CSK83 | | | | |
| Daytona 650 | 05 | CK1181 | CSK15 | | | | CT014 |
| Speedfour 600 | 02-05 | CK1206 | CSK83 | | | | |
| TT 600 | 00-03 | CK1206 | CSK83 | | | | |
| Daytona 675 | 06-09 | CK1206 | CSK135 | | | | |
| Street Triple 675 | 07-09 | CK1206 | CSK135 | | | | |
| Street Triple R 675 (Radial caliper) | 09 | TBA | TBA | | | | |
| Daytona 750 (3cyl) | 92 | CK5588 | CSK68 | | | | CT021 |
| Bonneville 800 | 01-06 | CK5597 | CSK15 | | | | CT009SP |
| Speedmaster 800 | 03-08 | CK5608 | CSK15 | | | | |
| Bonneville T-100 | 02-04 | CK5597 | CSK15 | | | | CT009SP |
| Bonneville T-100 | 05-09 | CK5608 | CSK15 | | | | |
| Speed Triple (Carb models) | 94-97 | CK5588 | CSK68 | | | | CT021 |
| Speed Triple (EFI) | 97-01 | CK5589 | CSK29 | | | | CT009 |
| America (865cc) | | CK5608 | CSK15 | | | | |
| Bonneville (865cc)/America | 05-08 | CK5608 | CSK15 | | | | |
| Bonneville (865cc) (Cast wheel) | 09 | CK5608 | CSK15 | | | | |
| Bonneville SE (865cc) (Cast wheel) | 09 | CK5608 | CSK15 | | | | |
| Speedtriple 955cc (From VIN 141872) | 02-04 | CK5599 | CSK29 | | | | CT009 |
| Daytona 900 93cyl) | 93-96 | CK5588 | CSK68 | | | | CT021 |
| Thrupton 900 | 04-09 | CK5608 | CSK15 | | | | |
| Trident 900 | 92-98 | CK5588 | CSK68 | | | | CT021 |
| Trophy 900 (3cyl) | 92-01 | CK5588 | CSK68 | | | | CT021 |
| Daytona 955i | 98-00 | CK5589 | CSK29 | | | | CT009 |
| Daytona 955i (From VIN 132513) | 01-06 | CK5599 | CSK29 | | | | CT009 |
| Daytona 1000 (4cyl) | 92 | CK5588 | CSK15 | | | | CT021 |
| Speed Triple (Radial Caliper - 1050cc) | 05-09 | CK5599 | CSK29 | | | | CT009 |
| Sprint ST (1050cc) | 05-09 | CK5599 | CSK29 | | | | CT009 |
| Daytona Super III (3cyl) | 94-97 | CK5588 | CSK68 | | | | CT021 |
| Daytona 1200 (4cyl) | 93-98 | CK5588 | CSK45 | | | | CT021 |
| Legend TT | 98-01 | CK5588 | CSK68 | | | | CT021 |
| Rocket III 2300cc (All models) | 04-09 | CK5624 | CSK118 | | | | CT021 |
| Rocket III Touring | 09 | CK5624 | CSK118 | | | | CT021 |
| Sprint (All carb models up to VIN9082) | 93 | CK5588 | CSK68 | | | | CT021 |
| Sprint (All carb models from VIN9083) | 94-98 | CK5588 | CSK68 | | | | CT021 |
| Sprint GT 1050 | 10-11 | TBA | TBA | | | | |
| Sprint RS (Up to VIN139276) | 99-01 | CK5589 | CSK29 | | | | CT009 |
| Sprint RS (From VIN139277) | 02 | CK5599 | CSK29 | | | | CT009 |
| Sprint RS (From VIN 139277) | 03-04 | CK5599 | CSK29 | | | | CT009 |
| Sprint ST (Up to VIN 139276) | 99-01 | CK5589 | CSK29 | | | | CT009 |
| Sprint ST (From VIN139277) | 02-04 | CK5599 | CSK29 | | | | CT009 |

EBC CLUTCH KITS - STREET / DIRT BIKES

| Make & Model | Year | STANDARD | | | UPGRADE | | CT Tool # |
|------------------------------------|----------|-------------|--------------|------------------|---------------|--------------|-----------|
| | | CK Series # | Spring Kit # | DRC/SRC Series # | DRCF Series # | SRK Series # | |
| TRIUMPH STREET BIKES CONTD. | | | | | | | |
| Thunderbird | 95-03 | CK5588 | CSK68 | | | | CT021 |
| Thunderbird Sport | 98-04 | CK5588 | CSK68 | | | | CT021 |
| Trophy 1200 (4cyl) | 92-01 | CK5588 | CSK15 | | | | CT021 |
| Thunderbird 1600 (Cast wheel) | | TBA | TBA | | | | |
| HONDA DIRT BIKES | | | | | | | |
| CRF 50 F | 04-09/11 | CK1148 | N/A | | | | |
| XR 50 R | 00-03 | CK1148 | N/A | | | | |
| CR 60 R | 83-84 | CK1151 | CSK3 | | | | CT012SP |
| CRF 70 F | 04-09/11 | CK1148 | CSK18 | | | | |
| CT 70 Trail | 77-82 | CK1148 | CSK18 | | | | |
| CT 70 Trail | 91-94 | CK1148 | CSK18 | | | | |
| XR 70 R | 97-03 | CK1148 | CSK18 | | | | |
| CR 80 R | 80-82 | CK1151 | CSK3 | | | | CT012SP |
| CR 80 R | 83 | CK1151 | CSK23 | | | | CT012SP |
| CR 80 R | 84 | CK1119 | CSK23 | | | | CT012SP |
| CR 80 R | 85-86 | CK1119 | CSK173 | DRC1 | | | CT012SP |
| CR 80 R/RB Expert | 87-02 | CK1119 | CSK173 | DRC1 | | | CT012SP |
| CRF 80 F | 04-09/11 | CK1150 | CSK48 | | | | CT012SP |
| XL 80 S | 80-85 | CK1150 | CSK22 | | | | CT012SP |
| XR 80/XR 80 R | 79-94 | CK1150 | CSK22 | | | | CT012SP |
| XR 80 R | 95-03 | CK1150 | CSK48 | | | | CT012SP |
| CR 85 R/RB | 03-07 | CK1119 | CSK173 | DRC1 | | | CT012SP |
| CRF 100 F | 04-09/11 | CK1151 | CSK23 | DRC49 | DRCF49 | | CT012SP |
| XL 100 S | 79-80 | CK1151 | CSK8 | | | | CT012SP |
| XL 100 S | 81-85 | CK1151 | CSK8 | | | | CT012SP |
| XR 100 R | 81-86 | CK1151 | CSK22 | | | | CT012SP |
| XR 100 R | 87-03 | CK1151 | CSK23 | DRC49 | DRCF49 | | CT012SP |
| CT 110 Trail | 80-86 | CK1156 | CSK18 | | | | |
| CL 125 S/S1 | | CK1119 | CSK4 | | | | CT012SP |
| CR 125 R | 82 | CK1186 | CSK31 | | | | CT002 |
| CR 125 R | 83-84 | CK1190 | CSK24 | DRC67 | | | CT013 |
| CR 125 R | 85 | CK1200 | CSK24 | DRC68 | | | CT001 |
| CR 125 R | 86-99 | CK1222 | CSK24 | DRC2 | | | CT001 |
| CR 125 R | 00-07 | CK1293 | CSK77 | DRC101 | DRCF101 | | CT001 |
| NX 125 | 88-90 | CK1252 | CSK167 | DRC50 | | | CT012SP |
| XL 125 S | 81-84 | CK1119 | CSK4 | | | | CT012SP |
| XL 125 S | 85 | CK1119 | CSK167 | | | | CT012SP |
| CRF 150 F | 03-05 | CK1304 | CSK77 | DRC180 | | | CT012SP |
| CRF 150 F | 06-11 | CK1119 | CSK6 | DRC181 | | | CT012SP |
| CRF 150 R/RB | 07-11 | CK1191 | CSK134 | DRC182 | DRCF182 | | CT002 |
| XL 185 S | 79-80 | CK1119 | CSK167 | | | | CT012SP |
| XL 185 S | 81-83 | CK1119 | CSK9 | | | | CT012SP |
| TLR 200 | 86-87 | CK1119 | CSK84 | | | | CT012SP |
| TR 200 Fatcat | 86-87 | CK1119 | CSK172 | | | | CT012SP |
| XL 200 R | 83-84 | CK1119 | CSK105 | | | | CT012SP |
| XR 200 | 80-84 | CK1119 | CSK105 | DRC91 | | | CT012SP |
| XR 200 R | 81-83 | CK1119 | CSK105 | DRC91 | | | CT012SP |
| XR 200 R | 84-85 | CK1180 | CSK004 | DRC60 | | | CT013SP |
| XR 200 R | 86-02 | CK1119 | CSK105 | DRC91 | | | CT012SP |
| CRF 230 F | 03-11 | CK1304 | CSK24 | DRC136 | | | CT012SP |
| CRF 230 L | 08-11 | CK1252 | CSK09 | DRC249 | | | CT012SP |
| CRF 230 M | 09-11 | CK1252 | CSK09 | DRC249 | | | CT012SP |
| CR 250 R | 78-80 | CK1163 | CSK20 | | | | |
| CR 250 R | 81 | CK1131 | CSK41 | | | | CT009 |
| CR 250 R | 82 | CK1170 | CSK41 | | | | CT009 |
| CR 250 R | 83-89 | CK1170 | CSK28 | DRC3 | | | CT009 |
| CR 250 R | 90-93 | CK1247 | CSK28 | DRC75 | | | |
| CR 250 R | 94-07 | CK1247 | CSK32 | DRC79 | DRCF79 | | |
| CRF 250 R | 04-07 | CK1293 | CSK77 | DRC129 | DRCF129 | | CT001 |
| CRF 250 R | 08-09 | CK1305 | CSK77 | DRC208 | DRCF208 | | CT001 |

All part numbers, prefixes and suffixes shown in this catalog are unique and form a registered copyright as the property of EBC Brakes and its UK trademark owners

EBC CLUTCH KITS - DIRT BIKES

| Make & Model HONDA DIRT BIKES CONTD. | Year | STANDARD | | | UPGRADE | | CT Tool # |
|---|-------|----------------|-----------------|---------------------|------------------|-----------------|--------------|
| | | CK Series # | Spring Kit # | DRC/SRC Series # | DRCF Series # | SRK Series # | |
| CRF 250 RA | 10 | CK1293 | CSK164 | DRC256 | DRCF256 | | CT001 |
| CRF 250 RB | 11 | CK1305 | CSK77 | DRC208 | DRCF208 | | CT001 |
| CRF 250 X | 04-11 | CK1305 | CSK77 | DRC208 | DRCF208 | | CT001 |
| NX 250 | 88-90 | CK1190 | CSK30 | DRC51 | | | CT013SP |
| XL 250 S | 78-80 | CK1152 | CSK9 | | | | CT013SP |
| XL 250 S | 81 | CK1153 | CSK9 | | | | CT013SP |
| XL 250 R | 82-83 | CK1153 | CSK9 | | | | CT013SP |
| XL 250 R | 84-87 | CK1180 | CSK4 | DRC60 | | | CT013SP |
| XR 250 | 79-80 | CK1152 | CSK9 | | | | CT013SP |
| XR 250 R | 81-82 | CK1153 | CSK9 | | | | CT013SP |
| XR 250 R | 84-85 | CK1180 | CSK4 | DRC60 | | | CT013SP |
| XR 250 R | 86-95 | CK1190 | CSK4 | DRC44 | DRCF44 | | CT013SP |
| XR 250 R | 96-04 | CK1190 | CSK77 | DRC84 | | | CT013SP |
| XR 250 L | 91-96 | CK1190 | CSK4 | DRC44 | DRCF44 | | CT013SP |
| XR 350 R | 83-85 | CK1190 | CSK4 | DRC44 | DRCF44 | | CT013SP |
| XL 350 R | 84-85 | CK1217 | CSK004 | | | | CT013SP |
| XR 400 R | 96 | CK1193 | CSK28 | DRC93 | | | CT013 |
| XR 400 R | 97-04 | CK1193 | CSK33 | DRC106 | | | CT013 |
| CR 450 R | 81 | CK1131 | CSK41 | | | | CT009 |
| CRF 450 R | 02-03 | CK1247 | CSK32 | DRC112 | | | CT009 |
| CRF 450 R (6 Spring type) | 04-08 | CK1247 | CSK120 | DRC148 | DRCF148 | | CT009 |
| CRF 450 R/RA (4 Spring type) | 09-10 | CK1247 | CSK157 | DRC244 | DRCF244 | | CT009 |
| CRF 450 RB (4 Spring type) | 11 | CK3433 | CSK174 | DRC259 | DRCF259 | | CT009 |
| CRF 450 X | 05-11 | CK1247 | CSK120 | DRC148 | DRCF148 | | CT009 |
| CR 480 R | 82 | CK1170 | CSK24 | | | | CT009 |
| CR 480 R | 83 | CK1170 | CSK28 | DRC3 | | | CT009 |
| CR 500 R | 84-89 | CK1170 | CSK28 | DRC3 | | | CT009 |
| CR 500 R | 90-94 | CK1247 | CSK28 | DRC75 | | | CT009 |
| CR 500 R | 95-01 | CK1247 | CSK28 | DRC75 | | | CT009 |
| XL 500 S | 79-81 | CK1140 | CSK15 | | | | CT013SP |
| XL 500 R | 82 | CK1140 | CSK15 | | | | CT013SP |
| XR 500 | 79-80 | CK1154 | CSK15 | | | | CT013SP |
| XR 500 R | 81-82 | CK1154 | CSK15 | | | | CT013SP |
| XR 500 R | 83-84 | CK1170 | CSK15 | | | | CT009 |
| XL 600 V | 89-90 | CK1181 | CSK33 | DRC53 | | | CT013SP |
| XL 600 R | 83-84 | CK1170 | CSK15 | DRC92 | | | CT009 |
| XL 600 R to 520822 | 85 | CK1170 | CSK15 | DRC92 | | | CT009 |
| XL 600 R from 5208023 | 85 | CK1170 | CSK15 | DRC92 | | | CT009 |
| XL 600 R | 86-87 | CK1170 | CSK15 | DRC92 | | | CT009 |
| XR 600 R | 85-00 | CK1170 | CSK16 | DRC54 | DRCF54 | | CT009 |
| NX 650 | 88-89 | CK1170 | CSK16 | DRC54 | DRCF54 | | CT009 |
| XR 650 L | 93-10 | CK1170 | CSK16 | DRC54 | DRCF54 | | CT009 |
| XR 650 R | 00-07 | CK1295 | CSK45 | DRC179 | | | |
| XL 1000 VA8 Varadero (Canada) | 08 | CK1257 | CSK138 | | | | CT009 |
| KAWASAKI DIRT BIKES | | | | | | | |
| KDX 50 A1/A2/A3/A6F | 03-06 | CK3366 | N/A | | | | |
| KX 60 A1/A2 | 83-84 | CK4438 | CSK18 | | | | |
| KX 60 B1-B19 | 85-03 | CK4438 | CSK18 | DRC7 | | | |
| KX 65 A1/A2/A3/A4/A5/A6/A6F/A7F/A8F/A9F/AAF/ABF | 00-11 | CK4438 | CSK40 | DRC98 | DRCF98 | | |
| KD 80 M1/M2 | 80-81 | CK4440 | CSK19 | | | | |
| KD 80 M3/M4/M5/M6/M7/M8 | 82-87 | CK4440 | CSK19 | | | | |
| KD 80 N1/N2/N3 | 88-90 | CK4440 | CSK19 | | | | |
| KX 80 A1 | 80 | CK4440 | CSK18 | | | | |
| KDX 80 A2 | 81 | CK4440 | CSK40 | | | | |
| KDX 80 B2/B3 | 82-83 | CK4438 | CSK40 | | | | |
| KDX 80 C1/C2/C3/C4/C5 | 84-88 | CK4438 | CSK40 | | | | |
| KX 80 C1/C2 | 81/82 | CK4438 | CSK40 | | | | |
| KX 80 E1/E2 | 83/84 | CK4438 | CSK40 | | | | |
| KX 80 E3/G1/G2/J2 | 85-87 | CK4468 | CSK34 | DRC8 | | | |
| KX 80 L1 | 88 | CK4477 | CSK35 | DRC9 | | | |

CLUTCH APPLICATIONS

EBC CLUTCH KITS - DIRT BIKES

| Make & Model KAWASAKI DIRT BIKES CONTD. | Year | STANDARD | | | UPGRADE | | CT Tool # |
|---|----------|----------------|-----------------|---------------------|------------------|-----------------|--------------|
| | | CK Series # | Spring Kit # | DRC/SRC Series # | DRCF Series # | SRK Series # | |
| KX 80 L2/L3/N2/N3 | 89-90 | CK4478 | CSK35 | DRC10 | | | |
| KX 80 R1-R7 | 91-97 | CK4478 | CSK35 | DRC10 | | | |
| KX 80 W1/W2/W3 | 98-00 | CK4453 | CSK41 | DRC45 | DRCF45 | | CT002 |
| KX 85 A1/A2/A3/A4/A5/A6F/A7F/A8F/A9F/AAF/ABF | 01-11 | CK4453 | CSK41 | DRC45 | DRCF45 | | CT002 |
| KE 100 A5 to A10 | 76-81 | CK4440 | CSK19 | | | | |
| KE 100 B1 to B20 | 85-01 | CK4440 | CSK19 | | | | |
| KM 100 A1/A2/A3/A3A/A4/A6/A7 | 76-81 | CK4440 | CSK19 | | | | |
| KX 100 B5/B6/B7 | 95-97 | CK4478 | CSK35 | DRC10 | | | |
| KX 100 C1/C2/C3/D1-D5/D6F/D7F/D8F/D9F/DBF | 98-09/11 | CK4453 | CSK41 | DRC45 | DRCF45 | | CT002 |
| KLX 110 (KLX 110 A1-A4/A6F/A7F/A8F/A9F/CAF/CBF/DAF/DBF) | 02-11 | CK4438 | CSK40 | | | | |
| KE 125 A7/A8/A9/A10 | 80-83 | CK4411 | CSK143 | | | | |
| KLX 125 A1/A2/A3/A6F | 03-06 | CK3318 | CSK34 | | | | CT011 |
| KLX 125 L (B1/B2/B3/B6F) | 03-06 | CK3318 | CSK34 | | | | |
| KX 125 A4/A5/A6/A7 | 78-81 | CK4436 | CSK143 | | | | |
| KX 125 B1 | 82 | CK4436 | CSK143 | | | | |
| KX 125 B2 | 83 | CK4457 | CSK152 | | | | |
| KX 125 C1 | 84 | CK4457 | CSK143 | | | | |
| KX 125 D1/E1/E2 | 85-87 | CK4469 | CSK143 | DRC11 | | | |
| KX 125 F1/G1 | 88-89 | CK4482 | CSK6 | DRC13 | | | |
| KX 125 H1/H2 | 90-91 | CK4485 | CSK116 | DRC36 | | | |
| KX 125 J1 | 92 | CK4485 | CSK116 | DRC83 | | | |
| KX 125 J2 | 93 | CK4498 | CSK116 | DRC69 | | | |
| KX 125 K1/K2/K3/K4/K5/L1-L4 | 94-02 | CK4425 | CSK65 | DRC73 | | | CT004 |
| KX 125 M1/M2/M3 | 03-05 | CK4425 | CSK97 | DRC122 | | | CT004 |
| KLX 140 A8F/A9F/AAF/ABF (KLX 140) | 08-11 | CK4522 | CSK142 | DRC211 | | | |
| KLX 140 B8F/B9F/BAF/BBF (KLX 140 L) | 08-11 | CK4522 | CSK142 | DRC211 | | | |
| KDX 175 A1/A2/A3 | 80-82 | CK4436 | CSK143 | | | | |
| KE 175 D2/D3/D4/D5 | 80-83 | CK4411 | CSK39 | | | | |
| KDX 200 A1/A2 | 83-84 | CK4457 | CSK152 | | | | |
| KDX 200 A3 | 85 | CK4457 | CSK143 | | | | |
| KDX 200 C1/C2/C3 | 86-88 | CK4469 | CSK143 | DRC74 | | | |
| KDX 200 E1-E6 | 89-94 | CK4482 | CSK10 | DRC61 | | | |
| KDX 200 H1-H11/H6F | 95-06 | CK4505 | CSK30 | DRC62 | | | |
| KDX 220 R A4-A12/A6F | 97-06 | CK4505 | CSK30 | DRC62 | | | |
| KDX 250 A1/B1 | 80-81 | CK4439 | CSK10 | | | | CT006 |
| KDX 250 B2/B3/B4 | 82-84 | CK4433 | CSK10 | | | | CT006 |
| KDX 250 D1/D2/D3/D4 | 91-94 | CK4475 | CSK30 | DRC41 | | | CT006 |
| KE 250 B1/B2/B3 | 77-79 | CK4439 | CSK116 | | | | CT006 |
| KL 250 A1/A1A/A2 | 78-79 | CK4425 | CSK148 | | | | CT004 |
| KL 250 A3/A4/A5 | 80-82 | CK4425 | CSK148 | | | | CT004 |
| KL 250 C1/C2 | 83-84 | CK4425 | CSK148 | | | | CT004 |
| KL 250 G4-G8 Super Sherpa | 00-04 | CK4469 | CSK74 | | | | |
| KLR 250 (KL 250) D2 to D22 | 85-05 | CK4446 | CSK148 | DRC63 | | | CT004 |
| KLX 250 A1/A2 | 79-80 | CK4425 | CSK148 | | | | CT004 |
| KLX 250 D2/D3/D4 | 93-95 | CK4469 | CSK1 | | | | |
| KLX 250 S (KLX 250H6F/H7F) | 06-07 | CK4469 | CSK144 | DRC212 | | | |
| KLX 250 S (KLX 250 T9F/TAF) | 09-10 | CK4469 | CSK144 | DRC212 | | | |
| KLX 250 SF (KLX 250 W9F/WAF) Supermotard | 09-10 | CK4469 | CSK144 | DRC212 | | | |
| KX 250 A6/A7 | 80-81 | CK4439 | CSK10 | | | | CT006 |
| KX 250 B1/C1 | 82-83 | CK4433 | CSK10 | | | | CT006 |
| KX 250 C2 | 84 | CK4465 | CSK10 | | | | CT006 |
| KX 250 D1/D2 | 85-86 | CK4459 | CSK10 | | | | CT006 |
| KX 250 E1/F1 | 87-88 | CK4475 | CSK10 | | | | CT006 |
| KX 250 G1 | 89 | CK4475 | CSK7 | DRC15 | | | CT006 |
| KX 250 H1 | 90 | CK4475 | CSK6 | DRC17 | | | CT006 |
| KX 250 H2 | 91 | CK4475 | CSK30 | DRC41 | | | CT006 |
| KX 250 J1/J2/K1-K5/L1-L4/M1/M2/R1/R6F/R7F | 92-07 | CK4435 | CSK7 | DRC46 | DRCF46 | | CT016 |
| KX 250 N1/N2 (KX 250 F) | 04-05 | CK4514 | CSK97 | DRC123 | DRCF123 | | CT004 |
| KX 250 F (T6F/T7F/T8F) | 06-08 | CK4514 | CSK97 | DRC123 | DRCF123 | | CT004 |
| KX 250 F (W9F/XAFB/YBF) (4T) | 09-11 | CK4514 | CSK97 | DRC123 | DRCF123 | | CT004 |
| KLX 300 R A3-A10/A6F/A7F | 98-07 | CK4469 | CSK144 | DRC212 | | | |

All part numbers, prefixes and suffixes shown in this catalog are unique and form a registered copyright as the property of EBC Brakes and its UK trademark owners

EBC CLUTCH KITS - DIRT BIKES

| Make & Model KAWASAKI DIRT BIKES CONTD. | Year | STANDARD | | | UPGRADE | | CT Tool # |
|--|-------|----------------|-----------------|---------------------|------------------|-----------------|--------------|
| | | CK Series # | Spring Kit # | DRC/SRC Series # | DRCF Series # | SRK Series # | |
| KLX 300 R A2 | 97 | CK4469 | CSK1 | | | | |
| KDX 400 A1/A2 | 79-80 | CK4439 | CSK10 | | | | CT006 |
| KLX 400 R (KLX 400 B1/B2) | 03-04 | CK3433 | CSK79 | DRC105 | DRCF105 | | CT006 |
| KLX 400 SR (KLX 400 A1/A2) | 03-04 | CK3433 | CSK79 | DRC105 | DRCF105 | | CT006 |
| KDX 420 B1 | 81 | CK4439 | CSK10 | | | | CT006 |
| KX 420 A1/A2 | 80-81 | CK4439 | CSK10 | | | | CT006 |
| KDX 450 A1 | 82 | CK4439 | CSK10 | | | | CT006 |
| KLX 450 R A8F/A9F/AAF/ABF | 08-11 | CK1247 | CSK121 | DRC158 | DRCF158 | | |
| KX 450 F D6F/D7F/D8F/D9F/EAF/EBF | 06-11 | CK1247 | CSK121 | DRC158 | DRCF158 | | |
| KX 500 A1/A2 | 83/84 | CK4433 | CSK7 | | | | CT006 |
| KX 500 B1/B2 | 85-86 | CK4459 | CSK7 | | | | CT006 |
| KX 500 C1/D1 | 87-88 | CK4475 | CSK10 | DRC16 | | | CT006 |
| KX 500 E1-E16 | 89-04 | CK4475 | CSK7 | DRC15 | | | CT006 |
| KLR 600 (KL 600 A1/B1/B2) | 84-86 | CK4424 | CSK23 | DRC64 | | | CT016 |
| KLE 650 A7F/A8F/A9F/CAF/CFB Versys | 07-11 | CK4424 | CSK7 | SRC22 | | | CT016 |
| KLR 650 (KL 650 A1-A9) | 87-95 | CK4424 | CSK7 | DRC65 | | | CT016 |
| KLR 650 (KL 650 A10-A19/A6F/A7F) | 96-07 | CK4435 | CSK10 | DRC168 | | | CT016 |
| KL 650 B2/B3 Tengai | 90-91 | CK4424 | CSK7 | DRC65 | | | CT016 |
| KL 650 E8F/E9F/EAF/EBF (KLR 650) | 08-11 | CK4435 | CSK10 | DRC168 | | | CT016 |
| KLX 650 A1/A2/A3/D1 (KLX650R) | 93-96 | CK4424 | CSK7 | DRC65 | | | CT016 |
| KLX 650 C1/C2/C3/C4 | 93-96 | CK4424 | CSK7 | DRC65 | | | CT016 |
| SUZUKI DIRT BIKES | | | | | | | |
| JR 50 C/N/T/X/Z/F/G/H/J/K/L/N/P/R/S/T/V/W/X/Y/K1-K6 | 78-06 | CK3366 | N/A | | | | |
| RM 50 C/N/T | 78-80 | CK3328 | CSK1 | | | | CT011 |
| RM 60 N/T/X/Z/D | 79-83 | CK3318 | CSK1 | | | | CT011 |
| RM 60 K3 | 03 | CK4438 | CSK18 | DRC7 | | | |
| RM 65 K3/K4/K5 | 03-05 | CK4438 | CSK40 | DRC98 | DRCF98 | | |
| DR-Z 70 K8/K9 | 08-11 | CK3458 | N/A | | | | |
| DS 80 T/X/Z | 80-82 | CK3340 | CSK1 | | | | CT011 |
| DS 80 D/F/G/H/J/K/L/M/N/P/R/S/T/V/W/X/Y | 83-00 | CK3340 | CSK1 | | | | CT011 |
| JR 80 K1/K2/K3/K4 | 01-04 | CK3340 | CSK1 | | | | CT011 |
| RM 80 T/X | 80-81 | CK3318 | CSK1 | | | | CT011 |
| RM 80 Z/D | 82-83 | CK3340 | CSK36 | | | | CT011 |
| RM 80 E/F | 84-85 | CK3318 | CSK34 | | | | CT011 |
| RM 80 G | 86 | CK3367 | CSK34 | | | | |
| RM 80 H/J | 87-88 | CK3367 | CSK55 | DRC19 | | | |
| RM 80 K/L | 89-90 | CK3318 | CSK36 | DRC20 | | | CT011 |
| RM 80 M/N/P/R/S/T/V/W/X/Y/K1 | 91-01 | CK3318 | CSK14 | DRC25 | DRCF25 | | CT011 |
| RM 85 K2/K3/LK3/K4/LK4/K5/LK5/LK6/K6/LK7/K7/K8/LK8/K9/LK9/LO/LLO | 02-11 | CK3318 | CSK14 | DRC25 | DRCF25 | | CT011 |
| DR 100 D/E | 83-84 | CK3318 | CSK34 | | | | CT011 |
| DR 100 F/G/H/J/K/L | 85-90 | CK3318 | CSK34 | | | | CT011 |
| DS 100 C/N/T/X | 78-81 | CK3318 | CSK25 | | | | CT011 |
| RM 100 N/T/X | 79-81 | CK3319 | CSK25 | | | | CT011 |
| RM 100 K3/K4 | 03-04 | CK4438 | CSK40 | DRC98 | DRCF98 | | |
| SP 100 D | 83 | CK3318 | CSK1 | | | | CT011 |
| TS 100 T/X | 80-81 | CK3337 | CSK25 | | | | CT011 |
| DR-Z 110 K3/K4/K5 | 03-05 | CK4438 | CSK40 | DRC98 | DRCF98 | | |
| DR 125 Z/D/E | 82-84 | CK3318 | CSK34 | | | | CT011 |
| DR 125 G/H/J | 86-88 | CK3318 | CSK34 | | | | CT011 |
| DR 125 SER/SES/SET | 94-96 | CK3318 | CSK34 | | | | CT011 |
| DR-Z 125 K3/K4/K5/K6/K7/LK7/K8/K9 | 03-11 | CK3318 | CSK34 | | | | CT011 |
| DR-Z 125 LK3/LK4/LK5/LK6/LK7/LK8/LK9 | 03-10 | CK3318 | CSK34 | | | | CT011 |
| DS 125 N/T/X | 79-81 | CK3318 | CSK25 | | | | CT011 |
| RM 125 X/Z | 81-82 | CK3329 | CSK36 | | | | CT011 |
| RM 125 D | 83 | CK3329 | CSK34 | | | | CT011 |
| RM 125 E | 84 | CK3356 | CSK34 | | | | CT011 |
| RM 125 F | 85 | CK3329 | CSK34 | | | | CT011 |
| RM 125 G/H | 86-87 | CK3319 | CSK1 | DRC21 | | | CT011 |
| RM 125 J/K/L/M | 88-91 | CK3356 | CSK53 | DRC22 | | | CT011 |
| RM 125 N | 92 | CK3401 | CSK32 | DRC114 | | | CT003 |

CLUTCH APPLICATIONS

EBC CLUTCH KITS - DIRT BIKES

| Make & Model SUZUKI DIRT BIKES CONTD. | Year | STANDARD | | | UPGRADE | | CT Tool # |
|---|-------------|----------------|-----------------|---------------------|------------------|-----------------|--------------|
| | | CK Series # | Spring Kit # | DRC/SRC Series # | DRCF Series # | SRK Series # | |
| RM 125 P/R/S/T/W/W | 93-98 | CK3401 | CSK27 | DRC76S | | | CT003 |
| RM 125 X/Y/K1 | 99-01 | CK3401 | CSK91 | DRC115 | | | CT003 |
| RM 125 K2/K3/K4/K5/K6/K7/K8 | 02-08 | CK4514 | CSK91 | DRC130 | | | CT003 |
| SP 125 Z/D | 82-83 | CK3318 | CSK34 | | | | CT011 |
| SP 125 G/H/J | 86-88 | CK3318 | CSK34 | | | | CT011 |
| TS 125 T/X | 80-81 | CK3337 | CSK25 | | | | CT011 |
| PE 175 T/X/Z/D/E | 80-84 | CK3329 | CSK25 | | | | CT011 |
| RS 175 T/X/Z | 80-82 | CK3329 | CSK25 | | | | CT011 |
| DS 185 T | 80 | CK3319 | CSK25 | | | | CT011 |
| TS 185 T/X | 80-81 | CK3319 | CSK25 | | | | CT011 |
| DR 200 G/H/J/SET/SEV/SEW/SEX/SEY/SEK1/SEK2/SEK3/SEK4 /SEK5/SEK6/SEK7/SEK8/SEK9 | 86-88/96-09 | CK3319 | CSK34 | DRC94 | | | CT011 |
| SP 200 G/H/J | 86-88 | CK3319 | CSK34 | | | | CT011 |
| DS 250 T | 80 | CK3315 | CSK158 | | | | CT022 |
| DR 250 Z/D/F | 82-85 | CK3358 | CSK26 | | | | CT029 |
| DR 250 L/M/N/P | 90-93 | CK3399 | CSK34 | DRC58 | DRCF58 | | CT022 |
| DR 250 SL/SM/SNSEP/SER/SES | 90-95 | CK3399 | CSK34 | DRC58 | DRCF58 | | CT022 |
| DR-Z 250 K1/K2/K3/K4/K5/K6/K7 | 01-07 | CK1181 | CSK46 | | | | CT013 |
| PE 250 T/X | 80-81 | CK3331 | CSK158 | | | | CT022 |
| RS 250 T/X | 80-81 | CK3331 | CSK158 | | | | CT022 |
| SP 250 Z/D/F | 82-85 | CK3358 | CSK26 | | | | CT029 |
| TS 250 N/T/X | 80-81 | CK3315 | CSK158 | | | | CT022 |
| RM 250 T/X/Z/D/E/F | 80-85 | CK3331 | CSK158 | | | | CT022 |
| RM 250 G | 86 | CK3372 | CSK34 | | | | CT022 |
| RM 250 H | 87 | CK3372 | CSK55 | DRC52 | | | CT022 |
| RM 250 J/K/L | 88-90 | CK3374 | CSK27 | DRC24 | | | CT022 |
| RM 250 M | 91 | CK3400 | CSK45 | DRC40 | | | CT022 |
| RM 250 N/P | 92-93 | CK3400 | CSK32 | DRC48 | | | CT022 |
| RM 250 R/S | 94-95 | CK3374 | CSK32 | DRC72 | | | CT022 |
| RM 250 T | 96 | CK4435 | CSK32 | DRC80 | | | CT016 |
| RM 250 V/W/X/Y/K1/K2 | 97-02 | CK4435 | CSK91 | DRC95 | | | CT016 |
| RM 250 K3/K4/K5 | 03-05 | CK3454 | CSK91 | DRC161 | | | CT016 |
| RM 250 K6/K7/K8 | 06-08 | CK3453 | CSK119 | DRC160 | | | CT016 |
| RMX 250 K/L | 89-90 | CK3374 | CSK27 | | | | CT022 |
| RMX 250 M | 91 | CK3374 | CSK45 | | | | CT022 |
| RMX 250 N/P | 92-93 | CK3400 | CSK32 | | | | CT022 |
| RMX 250 R/S/T/W/W/X/Y | 94-00 | CK3374 | CSK32 | DRC72 | | | CT022 |
| RM-Z 250 K4/K5/K6 | 04-06 | CK4514 | CSK97 | DRC123 | DRCF123 | | CT004 |
| RM-Z 250 K7/K8/K9 | 07-09 | CK4514 | CSK141 | DRC189 | | | CT004 |
| RM-Z 250 L0/L1 | 10-11 | CK4514 | CSK164 | DRC255 | DRCF255 | | CT004 |
| DR 350 L/M/N/P/R/S/T/W/W | 90-98 | CK3399 | CSK34 | DRC58 | DRCF58 | | CT022 |
| DR 350 SL/SM/SN/SP/SER/SES/SET/SEV/SEW/SEX | 90-99 | CK3399 | CSK34 | DRC58 | DRCF58 | | CT022 |
| DR 400 T | 80 | CK3332 | CSK158 | | | | CT022 |
| DR-Z 400 SY/SK1/SK2/SK3/SK4/SK5/SK6/SK7/SK8/SK9 | 00-09 | CK3433 | CSK79 | DRC105 | DRCF105 | | CT006 |
| DR-Z 400 EY/Y/EK1/K1/EK2/K2/K3/EK3/K4/EK4/EK5/EK6/EK7 | 00-07 | CK3433 | CSK79 | DRC105 | DRCF105 | | CT006 |
| DR-Z 400 SMK5/SMK6/SMK7/SMK8/SMK9 | 05-09 | CK3433 | CSK79 | DRC105 | DRCF105 | | CT006 |
| SP 400 T | 80 | CK3332 | CSK158 | | | | CT022 |
| PE 400 T/X | 80-81 | CK3332 | CSK158 | | | | CT022 |
| RM 400 T | 80 | CK3332 | CSK158 | | | | CT022 |
| RMX 450 ZLO | 10-11 | CK3450 | CSK119 | DRC155 | DRCF155 | | |
| RM-Z 450 K5/K6/K7 | 05-07 | CK3450 | CSK164 | DRC254 | | | |
| RM-Z 450 K8/K9/L0/L1 | 08-11 | CK3450 | CSK119 | DRC155 | DRCF155 | | |
| RM 465 X/Z | 81-82 | CK3348 | CSK158 | | | | CT029 |
| DR 500 X/Z/D | 81-83 | CK3359 | CSK115 | | | | CT029SP |
| SP 500 X/Z/D | 81-83 | CK3359 | CSK115 | | | | CT029SP |
| RM 500 D/E | 83-84 | CK3348 | CSK158 | | | | CT029 |
| SP 600 F | 85 | CK3359 | CSK115 | | | | CT029SP |
| DL 650 K4/K5/K6/K7/K8/K9 V-Strom | 04-09 | CK1219 | CSK133 | | | | CT033SP |
| DL 650 AK7/AK8/AK9/AL1 V-Strom (ABS Model) | 07-11 | CK1219 | CSK133 | | | | CT033SP |
| DR 650 SL/SM/SN/SP | 90-93 | CK3402 | CSK115 | DRC59 | | | CT029SP |
| DR 650 SER/SES | 94-95 | CK3402 | CSK115 | DRC142 | | | CT029SP |

All part numbers, prefixes and suffixes shown in this catalog are unique and form a registered copyright as the property of EBC Brakes and its UK trademark owners

EBC CLUTCH KITS - DIRT BIKES

| Make & Model | Year | STANDARD | | | UPGRADE | | CT Tool # |
|--|----------|-------------|--------------|------------------|---------------|--------------|-----------|
| | | CK Series # | Spring Kit # | DRC/SRC Series # | DRCF Series # | SRK Series # | |
| SUZUKI DIRT BIKES CONTD. | | | | | | | |
| DR 650 SET/SEV/SEW/SEX/SEY/SEL1-SEK9/SEL1 | 96-11 | CK3386 | CSK4 | DRC87 | | | CT024 |
| DL 1000 K2-K9 V-Strom | 02-09 | CK3443 | CSK43 | | | | CT021 |
| YAMAHA DIRT BIKES | | | | | | | |
| DT 50 U/W/A (DTL/C) | 88-89 | CK2206 | CSK42 | | | | |
| TT-R 50 EV/EW/EX/EY | 06-09 | TBA | N/A | | | | |
| YZ 50 G | 80 | CK2206 | CSK42 | | | | |
| YZ 60 H/J/K | 81-83 | CK2265 | CSK42 | | | | CT010 |
| BW 80 S/T/U/A | 86-90 | CK2303 | N/A | | | | |
| DT 80 H/J/K | 81-83 | CK2206 | CSK42 | | | | |
| MX 80 G/H/J | 80-82 | CK2206 | CSK42 | | | | |
| PW 80 K/N/B/D/E/F/G/H/J/K/L/M/N/P/R/S/T/V | 83-06 | CK2303 | N/A | | | | |
| YZ 80 G | 80 | CK2238 | CSK42 | | | | |
| YZ 80 H/J/K/L/N | 81-85 | CK2287 | CSK42 | | | | CT010 |
| YZ 80 S/T/U/W/A/B/D | 86-92 | CK2304 | CSK42 | DRC27 | | | CT010 |
| YZ 80 E/F | 93-94 | CK2304 | CSK39 | DRC66 | | | CT010 |
| YZ 80 G/H/J/K/L/M/N | 95-01 | CK2335 | CSK42 | DRC78 | | | |
| YZ 85 P/R/S/T/V/W/X/Y/Z/A | 02-11 | CK2335 | CSK42 | DRC111 | DRCF111 | | |
| TT-R 90 M/N/P/R/ES/S/ET/EV/EW | 00-07 | CK2354 | N/A | | | | |
| DT 100 G/H/J/K | 80-83 | CK2254 | CSK42 | | | | |
| MX 100 G/H/J/K | 80-83 | CK2254 | CSK42 | | | | |
| RT 100 A/D/E/F/G/H/J/K/L/M | 92-00 | CK2254 | CSK42 | | | | |
| YZ 100 G/H/J/K | 80-83 | CK2234 | CSK39 | | | | |
| TTR 110 EX/EY/EA | 08-09/10 | CK2375 | CSK150 | | | | |
| DT 125 G/H | 80-81 | CK2236 | CSK42 | | | | |
| IT 125 G/H | 80-81 | CK2234 | CSK42 | | | | |
| TT-R 125 M/N/P/R/ER/S/ES/ET/EV/EW/EX/EY | 00-09 | CK2254 | CSK42 | DRC230 | DRCF230 | | |
| TT-R 125 LVM/LN/LP/LER/LR/LES/LS/LET/LT/LEV/LV/LEW/LW /LEX/LX/LEY/LEA | 00-09/11 | CK2254 | CSK42 | DRC230 | DRCF230 | | |
| XT 125 J/K/KC | 82-83 | CK2256 | CSK52 | | | | |
| YZ 125 G | 80 | CK2234 | CSK42 | | | | |
| YZ 125 H | 81 | CK2235 | CSK39 | | | | |
| YZ 125 J | 82 | CK2276 | CSK39 | | | | |
| YZ 125 K/L/N | 83-85 | CK2278 | CSK39 | | | | |
| YZ 125 S/T | 86-87 | CK2278 | CSK2 | DRC28 | | | |
| YZ 125 U | 88 | CK2312 | CSK2 | DRC29 | | | |
| YZ 125 W/A | 89-90 | CK2311 | CSK2 | DRC30 | | | |
| YZ 125 B/D | 91-92 | CK2319 | CSK81 | DRC39 | | | CT005 |
| YZ 125 E/F/G | 93-95 | CK2325 | CSK81 | DRC70 | DRCF70 | | CT005 |
| YZ 125 H | 96 | CK2325 | CSK14 | DRC85 | | | CT005 |
| YZ 125 J/K/L/M/N | 97-01 | CK2325 | CSK81 | DRC70 | DRCF70 | | CT005 |
| YZ 125 P/R/S | 02-04 | CK2325 | CSK14 | DRC85 | | | CT005 |
| YZ 125 TV/W/X/Y/Z/A | 05-11 | CK2325 | CSK81 | DRC70 | DRCF70 | | CT005 |
| DT 175 G/H | 80-81 | CK2245 | CSK42 | | | | |
| IT 175 G/H/J/K | 80-83 | CK2235 | CSK39 | | | | |
| MX 175 G/H | 80-81 | CK2245 | CSK42 | | | | |
| RT 180 A/B/D/E/G/H/J | 90-97 | CK2245 | CSK42 | | | | |
| BW 200 N/S/ES/ET/EU | 85-88 | CK2292 | N/A | DRC55 | | | |
| IT 200 L/N/S | 84-86 | CK2235 | CSK1 | | | | |
| TW 200 T/TC/U/UC/W/WCA/AC/D/DC/E/EC/F/FC/H/HC/J/JC/EK/EKC/L /LC/M/MC/N/NC | 87-11 | CK2234 | CSK149 | DRC231 | | | |
| /P/PC/R/RCS/SC/T/TC/V/VVC/W/WVC/X/Y/Z/A Trailway | | | | | | | |
| WR 200 D | 92 | CK2313 | CSK42 | DRC42 | DRCF42 | | CT010 |
| XT 200 J/K/KC | 82-83 | CK2236 | N/A | | | | |
| TT 225 S/T | 86-87 | CK2324 | CSK149 | DRC229 | | | |
| TT-R 225 L/M/N/P/R/S | 99-04 | CK2324 | CSK149 | DRC229 | | | |
| XT 225 D/DC/E/EC/F/FC/G/GC/H/HC | 92-96 | CK2234 | CSK149 | DRC231 | | | |
| XT 225 J/JC/K/KC/L/M/MC/N/NC/P/PC/R/RCS/SC/T/TC/V/VVC/W/WVC | 92-07 | CK2324 | CSK149 | DRC229 | | | |
| TT-R 230 TV/W/X/Y/EA | 05-09/11 | CK2324 | CSK149 | DRC229 | | | |
| IT 250 F/G | 80 | CK2250 | CSK2 | | | | CT008 |
| IT 250 H/J | 81-82 | CK2279 | CSK2 | | | | CT008 |

CLUTCH APPLICATIONS

EBC CLUTCH KITS - DIRT BIKES

| Make & Model YAMAHA DIRT BIKES CONTD. | Year | STANDARD | | | UPGRADE | | CT Tool # |
|---|----------|----------------|-----------------|---------------------|------------------|-----------------|--------------|
| | | CK Series # | Spring Kit # | DRC/SRC Series # | DRCF Series # | SRK Series # | |
| IT 250 K | 83 | CK2280 | CSK2 | DRC32 | | | CT008 |
| TT 250 G/H/J | 80-82 | CK2267 | CSK1 | | | | CT008 |
| TT-R 250 L/M/N/P/R/S/T/V | 99-06 | CK2319 | CSK14 | DRC226 | | | CT005 |
| XT 250 G/H/J/K/KC/L/LC | 80-84 | CK2267 | CSK2 | | | | CT008 |
| YZ 250 H | 81 | CK2279 | CSK2 | | | | CT008 |
| YZ 250 J/K/L | 82-84 | CK2280 | CSK2 | | | | CT008 |
| YZ 250 N/S/T | 85-87 | CK2280 | CSK103 | DRC35 | | | CT008 |
| YZ 250 U/W/A/B/D | 88-92 | CK2309 | CSK2 | DRC31 | | | CT020 |
| YZ 250 WRW/WRA | 89-90 | CK2309 | CSK2 | | | | CT020 |
| YZ 250 E/F/G/H/J/K/L | 93-99 | CK2274 | CSK81 | DRC71 | | | CT020 |
| YZ 250 M/N | 00-01 | CK2274 | CSK49 | DRC97 | | | CT020 |
| YZ 250 P/R/S/T/V/W/X/Y/Z/A (2T) | 02-10 | CK2274 | CSK92 | DRC113 | DRCF113 | | CT020 |
| YZ 250 FN/FP/FR/FS/FT/FV/FW (4T) | 01-07 | CK2355 | CSK81 | DRC109 | DRCF109 | | CT005 |
| YZ 250 FX/FY/FZ/FA (4T) | 08-11 | CK2355 | CSK137 | DRC227 | DRCF227 | | CT005 |
| WR 250 ZB/ZD/ZE | 91-93 | CK2309 | CSK81 | | | | CT020 |
| WR 250 ZF/ZG/ZH/ZJ | 94-97 | CK2274 | CSK81 | DRC71 | | | CT020 |
| WR 250 FN | 01 | CK2355 | CSK81 | DRC109 | DRCF109 | | |
| WR 250 FP/FR/FS/FT/FV/FW/FX/FY/FZ/FA | 02-11 | CK2355 | CSK2 | DRC119 | DRCF119 | | |
| WR 250 RX/RV/RZ/RA | 08-11 | CK2319 | CSK81 | DRC39 | | | CT005 |
| WR 250 XX/XY/XZ/XA Supermotard | 08-11 | CK2319 | CSK81 | DRC39 | | | CT005 |
| XT 250 X/Y/Z/A | 08-11 | CK2370 | CSK81 | | | | |
| BW 350 T/U | 87-88 | CK2240 | CSK103 | | | | CT008 |
| TT 350 S/T | 86-87 | CK2240 | CSK14 | DRC56 | | | CT008 |
| TY 350 N/S | 85-86 | CK2295 | CSK34 | | | | CT008 |
| XT 350 N/NC/S/SC/C/AC/B/BCT/TC/U/UC/W/WC/D/DC/E/EC/F/FC /G/GC/H/HC/J/JC/K/KC/L/LM/MC | 85-00 | CK2240 | CSK14 | DRC56 | | | CT008 |
| YZ 400 FK/FL | 98-99 | CK2310 | CSK49 | DRC99 | | | CT008 |
| WR 400 FK/FL/FM | 98-00 | CK2310 | CSK49 | DRC99 | | | CT008 |
| IT 425 G | 80 | CK2279 | CSK2 | | | | CT008 |
| WR 426 FN/FP | 01-02 | CK2356 | CSK62 | DRC110 | | | CT020 |
| YZ 426 FM | 00 | CK2352 | CSK49 | DRC102 | | | CT020 |
| YZ 426 FN/FP | 01-02 | CK2356 | CSK92 | DRC116 | | | CT020 |
| WR 450 FR/FS | 03-04 | CK2356 | CSK62 | DRC110 | | | CT020 |
| WR 450 FT/FV/FW/FX/FY/FZ/FA | 05-11 | CK2274 | CSK92 | DRC194 | | | CT020 |
| YZ 450 FR/FS | 03-04 | CK2352 | CSK92 | DRC121 | | | CT020 |
| YZ 450 FT/FV | 05-06 | CK2352 | CSK58 | DRC162 | | | CT020 |
| YZ 450 FW/FX/FY/FZ/FA | 07-11 | CK2274 | CSK37 | DRC195 | DRCF195 | | CT020 |
| IT 465 H/J | 81-82 | CK2279 | CSK2 | | | | CT008 |
| YZ 465 G/H | 80-81 | CK2279 | CSK2 | | | | CT008 |
| IT 490 K/L | 83-84 | CK2280 | CSK2 | DRC32 | | | CT008 |
| YZ 490 J/K/L/N/S/T/U/W | 82-89 | CK2280 | CSK2 | DRC32 | | | CT008 |
| TT 500 G/H | 80-81 | CK2255 | CSK14 | | | | CT008 |
| XT 500 G/H | 80-81 | CK2296 | CSK14 | | | | CT008 |
| WR 500 ZD/ZE | 92-93 | CK2280 | CSK2 | DRC32 | | | CT008 |
| XT 550 J | 82 | CK2306 | CSK14 | | | | CT008 |
| XT 550 K | 83 | CK2297 | CSK14 | | | | CT008 |
| TT 600 K/L/N/S | 83-86 | CK2297 | CSK2 | DRC57 | | | CT008 |
| XT 600 L/LC/N/NC/S/SC/T/TC/U/UC/W/WC | 84-89 | CK2297 | CSK2 | DRC57 | | | CT008 |
| XT 600 EA/EAC/EB/EBC/ED/EDC/EE/EEC/EF/EFC/EG/EGC | 90-95 | CK2297 | CSK14 | DRC88 | DRCF88 | | CT008 |
| XT 1200 Z Super Tenere | 12 | CK2362 | CSK903 | | | | CT017 |
| BMW DIRT BIKES | | | | | | | |
| F 650/93 K60/0161 | 93-06/94 | CK5605 | CSK104 | | | | |
| F 650/93 K60/0161 | 07/94-96 | CK5605 | CSK104 | | | | |
| F 650/97 K60/0162 | 96-03 | CK5605 | CSK104 | | | | |
| F 650 ST K60/0163 | 96-00 | CK5605 | CSK104 | | | | |
| F 650 Dakar/M K78/0176 | 03-05 | CK5635 | CSK104 | | | | |
| F 650 Dakar K78/0173 | 99-03 | CK5636 | CSK104 | | | | |
| F 650 GS K78/0172 | 99-03 | CK5636 | CSK104 | | | | |
| F 650 GS/M K78/0175 | 03-07 | CK5635 | CSK104 | | | | |
| F 650 CS Scarver K14/0174 | 00-03 | CK5636 | CSK104 | | | | |

All part numbers, prefixes and suffixes shown in this catalog are unique and form a registered copyright as the property of EBC Brakes and its UK trademark owners

EBC CLUTCH KITS - DIRT BIKES

| Make & Model | Year | STANDARD | | | UPGRADE | | CT Tool # |
|------------------------------|-------|-------------|--------------|------------------|---------------|--------------|-----------|
| | | CK Series # | Spring Kit # | DRC/SRC Series # | DRCF Series # | SRK Series # | |
| BMW DIRT BIKES CONTD. | | | | | | | |
| F 650 CS/M Scarver K14/0177 | 03-06 | CK5635 | CSK104 | | | | |
| KTM DIRT BIKES | | | | | | | |
| SX 60 | 98-00 | CK5594 | CSK64 | DRC107 | DRCF107 | | CT027 |
| SX 65 | 98-08 | CK5594 | CSK64 | DRC107 | DRCF107 | | CT027 |
| SX 65 | 09-11 | CK5594 | CSK21 | DRC241 | | | CT027 |
| XC 65 | 08 | CK5594 | CSK64 | DRC107 | DRCF107 | | CT027 |
| XC 65 | 09-10 | CK5594 | CSK21 | DRC241 | | | CT027 |
| SX 85 (17"/14') | 03-11 | CK5610 | CSK42 | DRC139 | | | CT028 |
| SX 85 (19"/16') | 03-11 | CK5610 | CSK42 | DRC139 | | | CT028 |
| XC 85 | 08-09 | CK5610 | CSK42 | DRC139 | | | |
| SX 105 | 04-10 | CK5610 | CSK42 | DRC139 | | | |
| XC 105 | 08-10 | CK5610 | CSK42 | DRC139 | | | |
| 125 EGS | 98-99 | CK5611 | CSK24 | DRC145 | | | CT001 |
| 125 EXC | 98-05 | CK5611 | CSK24 | DRC145 | | | CT001 |
| 125 EXE | 00-01 | CK5611 | CSK24 | DRC145 | | | CT001 |
| 125 LC 2 Sting | 96-98 | N/A | N/A | N/A | | | |
| 125 Supermoto | 00-01 | CK5611 | CSK24 | DRC145 | | | CT001 |
| SX 125 | 98-07 | CK5611 | CSK24 | DRC145 | | | CT001 |
| SX 125 | 08 | CK5611 | CSK132 | DRC174 | | | CT001 |
| SX 125 | 09-11 | CK5611 | CSK24 | DRC145 | | | CT001 |
| 125 SXS | 01-02 | CK5611 | CSK24 | DRC145 | | | CT001 |
| SX 150 | 08-11 | CK5611 | CSK91 | DRC144 | | | CT001 |
| XC 150 | 10-11 | CK5611 | CSK91 | DRC144 | | | CT001 |
| 200 EGS | 98-99 | CK5611 | CSK91 | DRC144 | | | CT001 |
| 200 EXC | 97-05 | CK5611 | CSK91 | DRC144 | | | CT001 |
| 200 MXC | 98-03 | CK5611 | CSK91 | DRC144 | | | CT001 |
| SX 200 | 03 | CK5611 | CSK91 | DRC144 | | | CT001 |
| XC-W 200 | 07-10 | CK5611 | CSK91 | DRC144 | | | CT001 |
| XC 200 | 06-09 | CK5611 | CSK91 | DRC144 | | | CT001 |
| SX 250 | 94-11 | CK5595 | CSK80 | DRC108 | DRCF108 | | CT007 |
| 250 EGS | 94-99 | CK5595 | CSK80 | DRC108 | DRCF108 | | CT007 |
| 250 EXC | 94-05 | CK5595 | CSK80 | DRC108 | DRCF108 | | CT007 |
| 250 EXC Racing | 02-03 | CK5612 | CSK120 | DRC171 | | | CT023 |
| 250 EXC Racing | 04 | CK5602 | CSK120 | DRC117 | | | |
| 250 EXC Racing | 05 | CK5612 | CSK120 | DRC154 | | | CT023 |
| 250 EXG-G Racing | 03 | CK5612 | CSK120 | DRC171 | | | CT023 |
| 250 EXC-G Racing | 04 | CK5602 | CSK120 | DRC117 | | | |
| 250 MXC | 98-99 | CK5595 | CSK80 | DRC108 | DRCF108 | | CT007 |
| SX-F 250 | 05-11 | CK1293 | CSK77 | DRC163 | DRCF163 | | CT001 |
| XC-F 250 | 06-09 | CK1293 | CSK77 | DRC163 | DRCF163 | | CT001 |
| XC-F-W 250 | 06-11 | CK1293 | CSK77 | DRC163 | DRCF163 | | CT001 |
| XC-W 250 | 06-10 | CK5595 | CSK80 | DRC108 | DRCF108 | | CT007 |
| XC-F-W 250 Six Days | 11 | CK1293 | CSK77 | DRC163 | DRCF163 | | CT001 |
| XC 250 | 06-11 | CK5595 | CSK80 | DRC108 | DRCF108 | | CT007 |
| 250 SXS | 01-03 | CK5595 | CSK80 | DRC108 | DRCF108 | | CT007 |
| 300 E-GS | 94-99 | CK5595 | CSK80 | DRC108 | DRCF108 | | CT007 |
| 300 EXC | 94-05 | CK5595 | CSK80 | DRC108 | DRCF108 | | CT007 |
| 300 MXC | 94-03 | CK5595 | CSK80 | DRC108 | DRCF108 | | CT007 |
| 300 MXC | 04-05 | CK5595 | CSK80 | DRC108 | DRCF108 | | CT007 |
| SX 300 | 94 | CK5595 | CSK80 | DRC108 | DRCF108 | | CT007 |
| 300 Six Days | 96 | CK5595 | CSK80 | DRC108 | DRCF108 | | CT007 |
| XC 300 | 06-11 | CK5595 | CSK80 | DRC108 | DRCF108 | | CT007 |
| XC-W 300 | 06-11 | CK5595 | CSK80 | DRC108 | DRCF108 | | CT007 |
| 350 EXC | 94 | CK5631 | CSK80 | DRC169 | | | CT030 |
| 350 Super Comp | 94-95 | CK5631 | CSK80 | DRC169 | | | CT030 |
| SX-F350 | 11 | CK5612 | CSK91 | DRC260 | | | CT023 |
| 360 EGS | 96-97 | CK5595 | CSK80 | DRC108 | DRCF108 | | CT007 |
| 360 EXC | 96-97 | CK5595 | CSK80 | DRC108 | DRCF108 | | CT007 |
| 360 MXC | 96-97 | CK5595 | CSK80 | DRC108 | DRCF108 | | CT007 |
| 360 SX | 96-97 | CK5595 | CSK80 | DRC108 | DRCF108 | | CT007 |

CLUTCH APPLICATIONS

EBC CLUTCH KITS - DIRT BIKES

| Make & Model KTM DIRT BIKES CONTD. | Year | STANDARD | | | UPGRADE | | CT Tool # |
|---------------------------------------|-------|----------------|-----------------|---------------------|------------------|-----------------|--------------|
| | | CK Series # | Spring Kit # | DRC/SRC Series # | DRCF Series # | SRK Series # | |
| 360 Six Days | 96 | CK5595 | CSK80 | DRC108 | DRCF108 | | CT007 |
| 380 EGS | 98-99 | CK5631 | CSK129 | DRC170 | | | CT030 |
| 380 EXC | 98-02 | CK5595 | CSK80 | DRC108 | DRCF108 | | CT007 |
| 380 MXC | 98-01 | CK5595 | CSK80 | DRC108 | DRCF108 | | CT007 |
| SX 380 | 98-02 | CK5595 | CSK80 | DRC108 | DRCF108 | | CT007 |
| 400 Duke | 94-95 | CK5631 | CSK80 | DRC169 | | | CT030 |
| 400 EGS | 94 | CK5631 | CSK80 | DRC169 | | | CT030 |
| 400 EGS | 96-97 | CK5631 | CSK129 | DRC170 | | | CT030 |
| 400 EGS-E | 97 | CK5631 | CSK129 | DRC170 | | | CT030 |
| 400 EXC | 94 | CK5631 | CSK80 | DRC169 | | | CT030 |
| 400 EXC | 96 | CK5631 | CSK129 | DRC170 | | | CT030 |
| 400 EXC | 00-01 | CK5602 | CSK120 | DRC117 | | | |
| 400 EXC | 07 | CK5612 | CSK120 | DRC171 | | | CT023 |
| 400 EXC Racing | 02 | CK5612 | CSK120 | DRC171 | | | CT023 |
| 400 EXC Racing | 05 | CK5612 | CSK120 | DRC154 | | | CT023 |
| 400 EXC-G Racing | 02 | CK5612 | CSK120 | DRC171 | | | CT023 |
| 400 EXC-G Racing | 05 | CK5612 | CSK120 | DRC154 | | | CT023 |
| 400 EXC-G Racing | 06 | CK5612 | CSK120 | DRC171 | | | CT023 |
| 400 LC-4 | 98 | CK5631 | CSK129 | DRC170 | | | CT030 |
| LC4 R 400 | 99 | CK5631 | CSK129 | DRC170 | | | CT030 |
| 400 LC4-E | 00-01 | CK5631 | CSK129 | DRC170 | | | CT030 |
| 400 LSE | 97 | CK5631 | CSK129 | DRC170 | | | CT030 |
| 400 LS-E | 04 | CK5631 | CSK129 | DRC170 | | | CT030 |
| 400 MXC | 01 | CK5602 | CSK120 | DRC117 | | | |
| 400 MXC | 02 | CK5612 | CSK120 | DRC171 | | | CT023 |
| 400 Super Comp | 95 | CK5631 | CSK80 | DRC169 | | | CT030 |
| RXC-E 400 | 95 | CK5595 | CSK11 | DRC108 | DRCF108 | | CT007 |
| 400 Super Comp/EXC | 96-99 | CK5631 | CSK129 | DRC170 | | | CT030 |
| 400 RXC-E | 95 | CK5632 | CSK11 | DRC178 | | | |
| 400 RXC-E | 96-97 | CK5631 | CSK129 | DRC170 | | | CT030 |
| SXC 400 | 97 | CK5631 | CSK129 | DRC170 | | | CT030 |
| 400 SX-C | 98 | CK5631 | CSK129 | DRC170 | | | CT030 |
| 400 SX | 99 | CK5631 | CSK129 | DRC170 | | | |
| SX 400 | 00-01 | CK5602 | CSK120 | DRC117 | | | |
| 400 SX Racing | 02 | CK5612 | CSK120 | DRC171 | | | CT023 |
| 400 SXC | 00 | CK5631 | CSK129 | DRC170 | | | CT030 |
| 400 TXC | 98 | CK5631 | CSK129 | DRC170 | | | CT030 |
| XC-W 400 | 10-11 | 5648 | CSK140 | DRC252 | | | |
| EXC 440 | 94-95 | N/A | N/A | N/A | | | |
| SX 440 | 94 | N/A | N/A | N/A | | | |
| MXC 440 | 94 | N/A | N/A | N/A | | | |
| 450 EXC | 06-07 | CK5612 | CSK120 | DRC171 | | | CT023 |
| EXC 450 | 10-11 | CK5648 | CSK140 | DRC252 | | | |
| 450 EXC Racing | 03 | CK5612 | CSK120 | DRC171 | | | CT023 |
| 450 EXC-G Racing | 03 | CK5612 | CSK120 | DRC171 | | | CT023 |
| 450 EXC Racing | 04 | CK5602 | CSK120 | DRC117 | | | |
| 450 EXC Racing | 05 | CK5612 | CSK120 | DRC154 | | | CT023 |
| 450 EXC-G Racing | 04 | CK5602 | CSK120 | DRC117 | | | |
| 450 LXC-G Racing | 05 | CK5612 | CSK120 | DRC154 | | | CT023 |
| MXC 450 | 06 | CK5612 | CSK120 | DRC171 | | | CT023 |
| 450 MXC-G Racing | 03 | CK5612 | CSK120 | DRC171 | | | CT023 |
| 450 MXC-G Racing | 04 | CK5602 | CSK120 | DRC117 | | | |
| 450 MXC-G Racing | 05 | CK5612 | CSK120 | DRC154 | | | CT023 |
| 450 SMR | 04-05 | CK5612 | CSK120 | DRC154 | | | CT023 |
| SMR 450 | 06 | CK5612 | CSK120 | DRC171 | | | CT023 |
| 450 SMS | 04 | CK5612 | CSK120 | DRC172 | | | CT023 |
| SX 450 | 06 | CK5612 | CSK120 | DRC171 | | | CT023 |
| SX-F 450 | 07-10 | CK5638 | CSK136 | DRC184 | | | CT009 |
| 450 SX Racing | 03 | CK5612 | CSK120 | DRC171 | | | CT023 |
| 450 SX Racing | 04 | CK5602 | CSK120 | DRC117 | | | |
| 450 SX Racing | 05 | CK5612 | CSK120 | DRC154 | | | |

All part numbers, prefixes and suffixes shown in this catalog are unique and form a registered copyright as the property of EBC Brakes and its UK trademark owners

EBC CLUTCH KITS - DIRT BIKES

| Make & Model KTM DIRT BIKES CONTD. | Year | STANDARD | | | UPGRADE | | CT Tool # |
|---------------------------------------|-------|----------------|-----------------|---------------------|------------------|-----------------|--------------|
| | | CK Series # | Spring Kit # | DRC/SRC Series # | DRCF Series # | SRK Series # | |
| EXC-R 450 | 08 | CK5648 | CSK140 | DRC252 | | | |
| XCR-W 450 | 08 | CK5648 | CSK140 | DRC252 | | | |
| XC-W 450 | 08-09 | CK5638 | CSK136 | DRC184 | | | CT009 |
| XC-W 450 Six Days | 10-11 | CK5648 | CSK140 | DRC252 | | | |
| XC-F 450 | 08-09 | CK5638 | CSK136 | DRC184 | | | CT009 |
| SX-F 505 | 07-08 | CK5642 | CSK136 | DRC184 | | | |
| XC-F 505 | 08-09 | CK5638 | CSK136 | DRC184 | | | CT009 |
| 520 EXC | 00-01 | CK5602 | CSK120 | DRC117 | | | |
| SX 520 | 00-01 | CK5602 | CSK120 | DRC117 | | | |
| 520 SX Racing | 02 | CK5612 | CSK120 | DRC171 | | | CT023 |
| 525 EXC-G Racing | 03 | CK5612 | CSK120 | DRC171 | | | CT023 |
| 525 EXC | 03 | CK5612 | CSK120 | DRC171 | | | CT023 |
| 525 EXC Racing | 04 | CK5602 | CSK120 | DRC117 | | | |
| 525 EXC Racing | 05 | CK5612 | CSK120 | DRC154 | | | |
| 525 EXC-G Racing | 04 | CK5602 | CSK120 | DRC117 | | | |
| 525 EXC-G Racing | 05 | CK5612 | CSK120 | DRC154 | | | |
| MXC 525 | 06 | CK5612 | CSK120 | DRC171 | | | CT023 |
| 525 MXC Desert Racing | 03 | CK5612 | CSK120 | DRC171 | | | CT023 |
| 525 MXC Desert Racing | 04 | CK5602 | CSK120 | DRC117 | | | |
| 525 MXC Desert Racing | 05 | CK5612 | CSK120 | DRC154 | | | CT023 |
| 525 MXC-G Racing | 04 | CK5602 | CSK120 | DRC117 | | | |
| 525 SMR | 04-05 | CK5612 | CSK120 | DRC154 | | | CT023 |
| SX 525 | 06 | CK5612 | CSK120 | DRC171 | | | CT023 |
| 525 SX Racing | 03 | CK5612 | CSK120 | DRC171 | | | CT023 |
| 525 SX Racing | 04 | CK5602 | CSK120 | DRC117 | | | |
| 525 SX Racing | 05 | CK5602 | CSK120 | DRC154 | | | CT023 |
| EXC 530 | 10-11 | CK5648 | CSK140 | DRC252 | | | |
| EXC 530 Champion Edition | 10 | CK5648 | CSK140 | DRC252 | | | |
| EXC-R 530 | 08 | CK5640 | CSK140 | DRC198 | | | |
| XC-W 530 Six Days | 10-11 | CK5648 | CSK140 | DRC252 | | | |
| 540 SXC | 98-99 | CK5639 | CSK129 | DRC196 | | | CT030 |
| 540 SXS Racing | 02 | CK5612 | CSK120 | DRC171 | | | CT023 |
| MXC 550 | 94-96 | N/A | N/A | N/A | | | |
| SMR 560 | 06 | CK5612 | CSK120 | DRC171 | | | CT023 |
| 620 Duke | 94 | CK5631 | CSK80 | DRC169 | | | CT030 |
| 620 Duke | 97 | CK5631 | CSK129 | DRC170 | | | CT030 |
| 620 EGS | 94-95 | CK5631 | CSK80 | DRC169 | | | CT030 |
| 620 EGS-E | 97 | CK5631 | CSK129 | DRC170 | | | CT030 |
| 620 EGS/Adventure | 96-97 | CK5631 | CSK129 | DRC170 | | | CT030 |
| 620 Enduro Ltd | 97 | CK5631 | CSK129 | DRC170 | | | CT030 |
| 620 EXC | 94-95 | CK5631 | CSK80 | DRC169 | | | CT030 |
| 620 LC-4 | 98 | CK5631 | CSK129 | DRC170 | | | CT030 |
| 620 LC4 Competition | 99 | CK5639 | CSK129 | DRC196 | | | CT030 |
| 620 LC4 Super Moto | 99 | CK5639 | CSK129 | DRC196 | | | CT030 |
| 620 LSE | 97 | CK5631 | CSK129 | DRC170 | | | CT030 |
| 620 Six Days | 96 | CK5631 | CSK129 | DRC170 | | | CT030 |
| 620 Super Comp | 94-95 | CK5631 | CSK80 | DRC169 | | | CT030 |
| 620 Super Comp | 96-99 | CK5639 | CSK129 | DRC196 | | | CT030 |
| SX 620 | 97-99 | CK5639 | CSK129 | DRC196 | | | CT030 |
| SX 620 | 99 | CK5639 | CSK129 | DRC196 | | | CT030 |
| RXC-E 620 | 95 | CK5595 | CSK11 | DRC108 | DRCF108 | | CT007 |
| 620 RXC-E | 95 | CK5632 | CSK11 | DRC178 | | | |
| 620 RXC-E | 96-97 | CK5631 | CSK129 | DRC170 | | | CT030 |
| 620 SC | 00-01 | CK5639 | CSK129 | DRC196 | | | CT030 |
| SXC 620 | 97 | CK5631 | CSK129 | DRC170 | | | CT030 |
| 620 Supermoto | 98 | CK5639 | CSK129 | DRC196 | | | CT030 |
| 620 TXC | 98 | CK5639 | CSK129 | DRC196 | | | CT030 |
| 625 SMC | 04/06 | CK5639 | CSK129 | DRC196 | | | CT030 |
| 625 SC | 02 | CK5639 | CSK129 | DRC196 | | | CT030 |
| 625 SXC | 03-04 | CK5639 | CSK129 | DRC196 | | | CT030 |
| 640 Adventure-R | 98-02 | CK5639 | CSK129 | DRC196 | | | CT030 |

CLUTCH
APPLICATIONS

BUYERS GUIDE - CLUTCHES

| Part No. | Make/Model | Year | Part No. | Make/Model | Year |
|-----------|-------------------------------|------------|-----------|---|-------------------------|
| CK1101 | HONDA No Fitment | | CK1122 | HONDA No Fitment | |
| CK1102 | No Fitment | | CK1123 | No Fitment | |
| CK1103 | N/A | | CK1124 | No Fitment | |
| CK1104 | Use CK1276 | | CK1125 | No Fitment | |
| CK1105 | No Fitment | | CK1126 | No Fitment | |
| CK1106 | Use CK1107 | | CK1127 | No Fitment | |
| CK1107 | No Fitment | | CK1128 | No Fitment | |
| CK1108 | Use CK1156 | | CK1129 | No Fitment | |
| CK1109 | Use CK1105 | | CK1130 | CB 450 K2-K7 | ▲ |
| CK1110 | Use CK1107 | | CT031 ▲ | | |
| CK1111 | No Fitment | | CK1131 | CR 250 R CR 450 R | 81 ▲ 81 ▲ |
| CK1112 | Use CK1107 | | CK1132 | CB 350 G/K2/K3/K4 CB 360/360 G/T CB 360 T | ▲ 75-76 ▲ 76-77 ▲ |
| CK1113 | Use CK1107 | | CT009 ▲ | | |
| CK1114 | No Fitment | | CK1133 | No Fitment | |
| CK1115 | No Fitment | | CK1134 | No Fitment | |
| CK1116 | Use CK1156 | | CK1136 | Use CK1140 | |
| CK1117 | Use CK1150 | | CK1137 | Use CK1131 | |
| CK1118 | Use CK1151 | | CK1138 | No Fitment | |
| CK1119 | CR 80 R | 84-02 ■ | CK1139 | Use CK1132 | |
| CT012SP ■ | CR 85 R/85 R Expert | 03-07 ■ | CK1140 | CB 350 F/F1 | 75-77 ■ |
| | CB 125 S/S1/S2 | 80-82 ■ | CT013SP ■ | CB 400 F | 78-81 ■ |
| | CL 125 S | 84-85 ■ | | CB 400 T 'Hawk' All models | 79-81 ■ |
| | XL 125 S | 81-85 ■ | | CM 400 T/C/E | 89-92 ■ |
| | CRF 150 F | 06-11 ■ | | CB 450 DX-K | 82 ■ |
| | XL 185 S | 79-83 ■ | | CB 450 T 'Hawk' | 82-86 ■ |
| | ATC 200 X | 83-87 ■ | | CB 450 SC 'Nighthawk' | 82 ■ |
| | CM 200 T | 80-82 ■ | | CM 450 C Custom | 82 ■ |
| | TRX 200 SX Fourtrax | 86-91 ■ | | CM 450 E | 82-83 ■ |
| | TLR 200 | 86-87 ■ | | CMX 450 C 'Rebel' | 86-87 ■ |
| | TR 200 'Fatcat' | 86-87 ■ | | FT 500 'Ascot' | 82-83 ■ |
| | XL 200 R | 83-84 ■ | | XL 500 S | 79-81 ■ |
| | XR 200 | 80-84 ■ | | XL 500 R | 82 ■ |
| | TRX 200 D Type II Fourtrax | 91-97 ■ | CK1141 | Use CK1146 | |
| | XR 200 R | 81-83 ■ | CK1142 | Use CK1145 | |
| | XR 200 R | 86-02 ■ | CK1143 | GL 1000 K Goldwing (Up to Eng No 1020727) | 75 76-79 |
| | TRX 250 EX | 01-08 ■ | CK1144 | No Fitment | |
| | TRX 250 X | 08-09/11 ■ | CK1145 | CB 750 F 'Supersport' CB 750 K | 76 77-78 |
| | TRX 250 TE/TEA Recon ES | 07-09/11 ■ | | | |
| | TRX 250 TM/TMA Recon | 97-09/11 ■ | | | |
| | <u>KAWASAKI</u> | | | | |
| | KLT 160 A1 | 85 ■ | | | |
| | KLF 185 A1/A1A/A2/A3/A4 Bayou | 85-88 ■ | | | |
| | KLT 185 A1/A2 | 86-87 ■ | | | |
| | <u>LIFAN</u> | | | | |
| | LF 200 GY-S | 05-08 ■ | | | |
| CK1120 | No Fitment | | | | |
| CK1121 | No Fitment | | | | |

| Part No. | Make/Model | Year | Part No. | Make/Model | Year |
|---------------------|---|---|-------------------------------|--|--|
| CK1146 | HONDA Cont.. CX 500 C/D Custom/Deluxe GL 500/500 Silverwing/Silverwing Interstate CB 550 F/K CX 650 C Custom | 79-82 81-82 75-78 83 | CK1154 Contd. CT013SP ■ | HONDA Cont.. TRX 500 FPM Fourtrax Foreman 4x4/EPS XR 500 XR 500 R | 08-11 ■ 79-80 ■ 81-82 ■ |
| CK1147 | CB 550 K/K1 CB 650 CB 650 C Custom CB 650 SC 'Nighthawk' GL 650/650 Silverwing/Silverwing Interstate | 74-75 79-82 80-81 82 83 | CK1155 | Use CK1119 | |
| CK1148 | CRF 50 F XR 50 R C 70 CRF 70 F CT 70 Trail XR 70 R ATC 70 TRX 70 | 04-09/11 00-03 80-83 04-09/11 77-82/91-94 97-03 78-85 86-87 | CK1156 | ATC 110 ATC 125 M TRX 125 Fourtrax CT 110 Trail | 79-85 84-85 85-86 80-86 |
| CK1149 CT021 ▲ | CB 750 C Custom CB 750 F 'Supersport' CB 750 K CB 750 Limited Edition CB 750 SC 'Nighthawk' CB 900 C Custom CB 900 F Supersport CB 1000 C Custom CB 1100 F Supersport | 80-82 ▲ 79-82 ▲ 79-82 ▲ 79 ▲ 82-83 ▲ 80-82 ▲ 81-82 ▲ 83 ▲ 83 ▲ | CK1157 | Use CK1163 | |
| CK1150 CT012SP ■ | Dream 50 R (CB50) NSR 50 MB5 CRF 80 F XL 80 S XR 80/ XR 80 R | 04 ■ 04 ■ 82 ■ 04-09/11 ■ 80-85 ■ 79-03 ■ | CK1158 | Use CK1144 | |
| CK1151 CT012SP ■ | CRF 100 F ATC 125 M YFM 125 RA Raptor ATC 185/185 S ATC 200/E/ES/M/S TRX 125 Fourtrax TRX 200 Fourtrax CR 60 R CR 80 R TRX 90 TRX 90 EX TRX 90 X XL 100 S XR 100 R | 04-09/11 ■ 86-87 ■ 11 ■ 80-83 ■ 81-86 ■ 87-88 ■ 84 ■ 83-84 ■ 80-83 ■ 93-06 ■ 07-08 ■ 09-11 ■ 79-85 ■ 81-03 ■ | CK1159 | TRX 350 JE/FE Fourtrax Rancher ES/ES 4x4 CX 500 TC Turbo CX 650 T Turbo GL 1100/1100 1 Goldwing/ Goldwing Interstate GL 1100 A Goldwing Aspencade | 00-02 82 83 80-83 82-83 |
| CK1152 CT013SP ■ | XL 250 S XR 250 | 78-80 ■ 79-80 ■ | CK1160 CT013SP ■ | TRX 350 TE/FE VT 500 C 'Shadow' VT 500 FT 'Ascot' VT 500 C 'Shadow' | 00-05 ■ 83-86 ■ 83-84 ■ 85-86 ■ |
| CK1153 CT013SP ■ | XL 250 S XL 250 R XR 250 R | 81 ■ 82-83 ■ 81-82 ■ | CK1161 | Use CK1205 | |
| CK1154 CT013SP ■ | TRX 420 TM Fourtrax Rancher TRX 420 FM7/FM8/FM9 Fourtrax Rancher 4x4 TRX 420 FPM/FPMA Fourtrax 4WD TRX 500 FE Fourtrax Foreman 4x4/ES TRX 500 FM Fourtrax Foreman 4x4 TRX 500 TM Fourtrax Foreman 2x4 TRX 500 FPE Fourtrax Foreman 4x4 ES/EPS | 07-11 ■ 07-11 ■ 09-11 ■ 05-11 ■ 05-11 ■ 05-06 08-11 | CK1162 | Use CK4409 | |
| | | | CK1163 | ATC 250 R CR 250 R | 81-84 78-80 |
| | | | CK1164 | Use CK1144 | |
| | | | CK1165 | No Fitment | |
| | | | CK1166 CT031 ▲ | CB 700 SC/S 'Nighthawk' VF 700 C 'Magna' VF 700 S 'Sabre' VT 700 C 'Shadow' VF 750 C V45 'Magna' VF 750 S V45 'Sabre' VT 750 C 'Shadow' VT 800 Shadow | 84-86 ▲ 84-87 ▲ 84-85 ▲ 84-87 ▲ 82-88 ▲ 82-83 ▲ 83 ▲ 88 ▲ |
| | | | CK1167 CT031 ▲ CT009 ■ | VF 700 F 'Interceptor' VF 750 F V45 'Interceptor' PC 800 Pacific Coast | 84-85 ▲ 83-84 ▲ 89-90/94-98 ■ |
| | | | CK1168 | Use CK1170 | |
| | | | CK1169 | Use CK1190 | |
| | | | CK1170 CT009 ▲ | CR 250 R CR 480 R CR 500 R XR 500 R XL 600 R XR 600 R NX 650 XR 650 L | 82-89 ▲ 82-83 ▲ 84-89 ▲ 83-84 ▲ 83-87 ▲ 85-00 ▲ 88-89 ▲ 93-11 ▲ |
| | | | CK1171 CT009 ▲ | CB 550 SC 'Nighthawk' CB 650 SC 'Nighthawk' | 83 ▲ 83-85 ▲ |
| | | | CK1172 | Use CK1166 | |
| | | | CK1173 | Use CK1190 | |

| Part No. | Make/Model | Year | Part No. | Make/Model | Year |
|-----------|--|---------------|-----------|--|------------|
| CK1174 | HONDA Cont.. Use CK1180 | | CK1193 | HONDA Cont.. ATC 250 R | 85-86 ■ |
| CK1175 | No Fitment | | CT013 ▲ | TRX 250 R Fourtrax | 86-89 ▲ |
| CK1176 | VF 1000 F 'Interceptor' | 84 ▲ | CT013SP ■ | TRX 400 EX | 99-08 ▲ |
| CT031 ▲ | VF 1000 R | 85-86 ▲ | CT014 ★ | TRX 400 X | 09-11 ▲ |
| | VT 1100 C Shadow 1100 Spirit | 97-06 ▲ | | XR 400 R | 96-04 ▲ |
| | VT 1100 C2 Shadow 1100 American Classic Edition | 95-97 ▲ | CK1194 | ATC 250 ES Big Red | 85-87 ■ |
| | VT 1100 C2-2 Shadow 1100 American Classic Edition | 97 ▲ | CT013SP ■ | ATC 250 SX | 85-87 ■ |
| | VT 1100 D2 Shadow 1100 American Classic Edition | 99 ▲ | | TRX 250 'Fourtrax' | 85-87 ■ |
| | VT 1100 CD2 Shadow Sabre | 00-06 ▲ | CK1195 | Use CK1193 | |
| | VT 1100 C3 Shadow Aero | 98-02 ▲ | | | |
| | VT 1100 T Shadow 1100 American Classic Edition Tourer | 98-01 ▲ | CK1196 | TRX 300 (All Models 2WD/4WD) | 88-00 ■ |
| CK1177 | VF 500 C 'V30 Magna' | 84-85 ▲ | CT013SP ■ | TRX 350 (All Models 2WD/4WD) | 86-89 ■ |
| CT002 ▲ | VF 500 F 'Interceptor' | 84-86 ▲ | | TRX 350 TM/FM | 00-05 ■ |
| CK1178 | Use CK1140 | | | TRX 400 FW 'Fourtrax Foreman' | 95-01/03 ■ |
| CK1179 | Use CK1146 | | | TRX 400 FM | 02 ■ |
| CK1180 | XR 200 R | 84-85 ■ | | TRX 420 TE Fourtrax Rancher ES | 07-11 ■ |
| CT013SP ■ | XL 250 R | 84-87 ■ | | TRX 420 FPA Fourtrax Rancher 4x4 ES/EPS | 09-11 ■ |
| | XR 250 R | 84-85 ■ | | TRX 420 FE/FEA Fourtrax Rancher 4x4/ES | 07-11 ■ |
| | <u>KAWASAKI</u> | | | TRX 450 ES/S | 98-03 ■ |
| | KLF 220 A1-A15 Bayou | 88-02 ■ | CK1197 | TRX 450 FE Fourtrax Foreman ES/ FM Fourtrax Foreman S | 02-04 ■ |
| | KLF 250 A1/A2/A3/A6F/A7F/A8F/A9F/AAF/ABF Bayou | 03-11 ■ | CK1198 | Use CK1151 | |
| CK1181 | CB 500 R/T/V/W | 94-98 ■ | CK1199 | Use CK1119 | |
| CT013 ▲ | XL 600 V | 89-90 ■ | CK1200 | No Fitment | |
| CT013SP ■ | VT 600 C/CD Shadow VLX | | CT001 ▲ | CR 125 R | 85 ▲ |
| CT014 ★ | CD2 Shadow Deluxe | 88/91-07 ■ | CK1201 | Use CK1222 | |
| | <u>SUZUKI</u> | | CK1202 | No Fitment | |
| | DR-Z 250 K1/K2/K3/K4/K5/K6/K7 | 01-07 ▲ | CK1203 | Use CK1190 | |
| | <u>TRIUMPH</u> | | CK1204 | Use CK1140 | |
| | Daytona 650 | 05 ★ | CK1206 | CBR 600 F2 | 91-94 ● |
| CK1182 | No Fitment | | CT014 ▲ | CBR 600 F3/SJR/SE | 95-98 ● |
| CK1183 | CBX | 79-82 | CT013SP ● | 599 (CB 600 F) | 04/06 ● |
| CK1184 | Use CK1119 | | | VFR 700 F/F2 'Interceptor' | 86 ▲ |
| CK1185 | Use CK1119 | | | VFR 750 F 'Interceptor' 750 | 86 ▲ |
| CK1186 | CR 125 R | 82 | | VFR 750 F | 90-97 ▲ |
| CT002 | | | | VF 750 C Magna/CD Magna Deluxe | 94-03 ▲ |
| CK1188 | Use CK1170 | | | VFR 800 Fi | 98-99 ▲ |
| CK1189 | Use CK1159 | | | CBR 900 RR | 93-95 ▲ |
| CK1190 | CR 125 R | 83-84 ▲ | | CBR 929 RR | 00-01 ▲ |
| CT013 ▲ | NX 250 | 88-90 ■ | | CBR 954 RR | 02-03 ▲ |
| CT013SP ■ | TRX 250 X Fourtrax | 87-88/91-92 ■ | CK1206 | <u>SUZUKI</u> | |
| | XR 250 L | 91-96 ■ | | GSX R 600 V/W/X/Y/K1/K2/K3/ZK3/K4/K5/XK5 | 97-05 ▲ |
| | XR 250 R | 86-04 ■ | | <u>TRIUMPH</u> Daytona 600 | 03-04 |
| | TRX 300 EX Fourtrax/Sportrax | 93-08 ■ | | Speedfour 600 | 02-05 |
| | TRX 300 X | 09-11 ■ | | TT 600 | 00-03 |
| | XR 350 R | 83-85 ■ | | Daytona 675 | 06-09 |
| | ATC 350 X | 85-86 ■ | CK1207 | Use CK1149 | |
| CK1191 | CRF 150 R/RB | 07-11 ▲ | CK1209 | VT 1100 C Shadow 1100 | 85-86 ▲ |
| CT002 ▲ | CB 250 Nighthawk | 91-08 ■ | CT031 ▲ | | |
| CT012SP ■ | CM 250 C Rebel | 82-83 ■ | CK1210 | GL 1200/1200 1-A/1200 L Goldwing | 84-85 |
| | CMX 250 C/C2 Rebel | 96/97/99-11 ■ | CK1211 | Use CK1224 | |
| | CMX 250 C/CD Rebel | 85-87 ■ | | | |

| Part No. | Make/Model | Year | Part No. | Make/Model | Year |
|---|---|--|------------------------------|--|--|
| CK1212 | HONDA Cont.. Use CK1119 | | CK1231 | HONDA Cont.. Use CK1228 | |
| CK1213 | Use CK1148 | | CK1232 | Use CK1233 | |
| CK1214 | Use CK1153 | | CK1233 | Use CK1285 | |
| CK1215 | Use CK1217 | | CK1234 | FL 400 R Pilot | 89-90 |
| CK1216 | Use CK1119 | | CK1235 CT012SP ■ | VTR 250 Interceptor | 88-90 ■ |
| CK1217 CT013SP ▲ | XL 350 R | 84-85 ▲ | CK1236 | Use CK1181 | |
| CK1218 | CBR 600 RR/RAA/RA/RAA CBR 600 F4 CBR 600 F4i Sport VFR 800/A Interceptor ABS CBR 900 RR 919 (CB 900 F) SUZUKI GSX 650 FK8/FK9 | 03-11 99-00 01-06 02-11 98-99 02-07 | CK1237 | Use CK1230 | |
| CK1218 | | 08-10 | CK1238 | Use CK1167 | |
| CK1219 CT009 ▲ CT022 ■ CT033SP ● | GB 500 SUZUKI DL 650 K4/K5/xK6/K7/AK7/K8/K9 /AK8/AK9/AL0/AL1 V-Strom SFV 650 K9 Gladius SV 650 AK7/AK8 ABS SV 650 K3/SK3/K4/SK4/K5/SK5/K6/SK6 /K7/SK7/S8/K8/SK9 SV 650 SAK7/SAK8/SAK9 ABS | 89-90 ▲ 04-11 ● 09-11 ● 07-08 ■ 03-10 ● 07-10 ● | CK1239 CT031 ▲ | VT 1100 C Shadow 1100 | 87-96 ▲ |
| CK1220 | No Fitment | | CK1240 | Use CK1252 | |
| CK1221 | GL 1000 K Goldwing (From Eng No. 1020728) | 75 | CK1241 | Use CK1190 | |
| CK1222 CT001 ▲ | CR 125 R | 86-99 ▲ | CK1242 | Use CK1217 | |
| CK1223 | No Fitment | | CK1243 | Use CK1181 | |
| CK1224 | GL 1200 1-A/GL 12 SE/I GL 1200 1/A Goldwing | 86 87 | CK1244 | Use CK1181 | |
| CK1225 | Use CK1248 | | CK1245 | Use CK1245 | |
| CK1226 | Use CK1147 | | CK1247 CT009 ▲ CT006 ■ | CR 250 R CFR 450 R/RA CRF 450 X CR 500 R KAWASAKI KLX 450 R A8F/A9F/AAF/ABF KX 450 F (D6F/D7F/D8F/D9F/EAF/EBF) | 90-07 ▲ 02-10 ▲ 05-11 ▲ 90-01 ▲ 08-11 ■ 06-11 ■ |
| CK1227 | Use CK1165 | | CK1248 CT009 ▲ | CB 1000 CBF 1000 F CBR 1000 F Hurricane | 94-95 ▲ 90-96 ▲ 87-88 ▲ |
| CK1228 CT009SP ■ | CB-1 400 (CB 400F) CBR 600 F Hurricane CB 600 F1 | 89-90 ■ 87 ■ 88-90 ■ | CK1252 CT012SP ■ | NX 125 CB 125 TT CBR 125 R8 (Canada) CRF 230 L CRF 230 M | 88-90 ■ 90 ■ 08 ■ 08-11 ■ 09-11 ■ |
| CK1229 CT014 ▲ | VFR 750 R (RC30) | 90 ▲ | CK1253 CT014 ▲ | VFR 800 Fi | 00-01 ▲ |
| CK1230 CT013SP ▲ | VT 600 C Shadow VLX NT 650 Hawk GT NT 700 V/A VT 750 C/CD/CD2/DC/DCA/DCB VT 750 CDA/CDB/CDC/CDD Shadow American Classic Edition 750 Deluxe VT 750 C/C2F Shadow Spirit VT 750 DC Shadow Spirit VT 750 DCA/DCB Shadow Spirit VT 750 Shadow Aero VT 750 Shadow Aero (C/CA) VT 750 C2/C2F Shadow Spirit VT 750 T Shadow Tourer VT 750 Shadow Phantom | 89-90 ■ 88-90 ■ 10-11 ■ 98-08 ■ 02-03 ■ 08-10 ■ 01-02 ■ 03-07 ■ 08-11 ■ 04-10 ■ 07-11 ■ 09 ■ 10-11 ■ | CK1254 | Use CK1285 | |
| | | | CK1256 | Use CK1206 | |
| | | | CK1257 CT031 ▲ CT009 ■ | RVF 750 R (RC45) XL 1000 VA8 Varadero (Canada) | 94 ▲ 08 ■ |
| | | | CK1258 | Use CK1206 | |
| | | | CK1259 | Use CK1265 | |
| | | | CK1261 | Use CK1191 | |
| | | | CK1264 CT009SP ■ | ST 1100/1100 A | 91-01 ■ |
| | | | CK1265 CT009SP ■ | CB 750 Nighthawk | 91-03 ■ |

| Part No. | Make/Model | Year | Part No. | Make/Model | Year |
|-------------------|---|---|---------------------|---|---------------------------------|
| CK1266 | HONDA Cont.. Use CK1190 | | CK1302 CT009 ▲ | HONDA Cont.. TRX 450 R/ER TRX 700 XX | 04-11 ▲ 08-11 ▲ |
| CK1272 | Use CK1170 | | CK1303 CT009 ▲ | CB 1000 R CBF 1000 A8 (Canada) CBR 1000 RR CBR 1000 R | 11 ▲ 08 ▲ 04-07 ▲ 11 ▲ |
| CK1273 | Use CK1181 | | CK1304 CT012SP ■ | CRF 150 F CRF 230 F | 03-05 ■ 03-11 ■ |
| CK1275 | Use CK1257 | | CK1305 CT001 ▲ | CRF 250 X CRF 250 R CRF 250 RB | 04-11 ▲ 08-09 ▲ 11 ▲ |
| CK1278 | Use CK1206 | | CK1312 CT009 ▲ | CBR 1000 RR/RA CBR 1000 RA/RAA ABS Model VFR 1200 FA | 08-11 ▲ 09-11 ▲ 10-11 ▲ |
| CK1279 | Use CK1190 | | CK2203 | YAMAHA Use CK2303 | |
| CK1280 | Use CK1193 | | CK2204 | N/A | |
| CK1282 | Use CK1191 | | CK2205 | RX50 MK 'Midnight Special' RX50 K/L 50 Special YSR 50 T/U/W/A/B/D | 83 83-84 87-92 |
| CK1284 CT014 ▲ | CBR 900 RR | 96-97 ▲ | CK2206 | YZ 50 G DT 50 U/W/A (DTL/C) DT 80 H/J/K MX 80 G/H/J | 80 88-89 81-83 80-82 |
| CK1285 | GL 1500 Goldwing GL 1500 A/SE/I Goldwing GL 1500 C/CT/CF/CD Valkyrie/Valkyrie Tourer | 88-96 99-00 97-03 | CK2207 | No Fitment | |
| CK1286 CT021 ▲ | CBR 1100 XX Blackbird | 97-98 ▲ | CK2208 | No Fitment | |
| CK1290 CT009 ▲ | VTR 1000 F Superhawk | 98-05 ▲ | CK2209 | No Fitment | |
| CK1291 CT021 ▲ | RVT 1000 (RC51) CBR 1100 XX Blackbird | 00-01 ▲ 99-03 ▲ | CK2210 | N/A | |
| CK1293 CT001 ▲ | HONDA CR 125 R CRF 250 R CRF 250 RA KTM SX-F 250 XC-F 250 XC-F-W 250 XC-F-W 250 Six Days GAS-GAS EC 125 (All models/2T) | 00-07 ▲ 04-07 ▲ 10 ▲ 05-11 ▲ 06-09 ▲ 06-10 ▲ 11 ▲ 10-11 ▲ | CK2211 | N/A | |
| CK1294 | Use CK1218 | | CK2212 | N/A | |
| CK1295 CT009 ▲ | XR 650 R | 00-07 ▲ | CK2213 | Use CK2330 | |
| CK1297 CT021 ▲ | ST 1300/1300 A GL 1800/ABS (All models) NRX 1800 DA/DB/EA/EB | 02-11 ▲ 01-11 ▲ 04-05 ▲ | CK2214 | Use CK2240 | |
| CK1298 CT021 ▲ | VT 1300 CXAA Fury (ABS Model) VT 1300 CXA Fury (Non ABS Model) VTX 1300 C VTX 1300 S VTX 1300 R VTX 1300 T VTX 1800 C/C1/C2/C3 VTX 1800 R VTX 1800 S VTX 1800 C1/C2/C3 VTX 1800 F1/F2/F3 VTX 1800 N1/N2/N3 VTX 1800 T1/T2 | 10-11 ▲ 10-11 04-11 ▲ 03-07 05-11 ▲ 08-11 ▲ 02-08 02-08 02-07 05-08 05-11 ▲ 04-11 ▲ 07-11 ▲ | CK2215 | Use CK2330 | |
| CK1300 CT021 ▲ | RVT 1000 (RC51) | 02-06 ▲ | CK2216 | No Fitment | |
| | | | CK2217 | No Fitment | |
| | | | CK2218 | No Fitment | |
| | | | CK2219 | Use CK2236 | |
| | | | CK2220 | Use CK2255 | |
| | | | CK2221 | No Fitment | |
| | | | CK2222 | Use CK2240 | |
| | | | CK2223 | No Fitment | |
| | | | CK2224 | No Fitment | |
| | | | CK2225 | Use CK2209 | |

| Part No. | Make/Model | Year | Part No. | Make/Model | Year |
|-------------------|--|--|-------------------|--|--|
| CK2226 CT017 ▲ | YAMAHA Cont.. TX 650 A/XS 650 B/C XS 650 D/E/F/2F YZF 1000 R1 | 74-76 77-79 98 ▲ | CK2245 | YAMAHA Cont.. DT 175 G/H MX 175 G/H RT 180 A/B/D/E/G/H/J | 80-81 80-81 90-97 |
| CK2227 | Use CK2255 | | CK2246 | Use CK2240 | |
| CK2228 | Use CK2296 | | CK2247 | Use CK2273 | |
| CK2229 | Use CK2234 | | CK2248 | Use CK2269 | |
| CK2230 CT017 ▲ | XJ 1100 J 'Maxim' XS 1100 XS 1100 H 'Venturer' XS 1100 SF/SG/SH XS 1100 LG/LH 'Midnight Special' | 82 ▲ 80 ▲ 81 ▲ 79-81 ▲ 80-81 ▲ | CK2249 | No Fitment | |
| CK2231 | Use CK2303 | | CK2250 CT008 ▲ | IT 250 F/G | 80 ▲ |
| CK2232 | No Fitment | | CK2251 | YT 125 J/K/L/N YT 175 J/K | 82-85 82-83 |
| CK2233 | N/A | | CK2252 | YT 125 G/H | 80-81 |
| CK2234 | YZ 100 G/H/J/K IT 125 G/H YZ 125 G SR 185 H/J TW 200 T/TC/U/UC/W/WC/A/AC/D/DC/E/EC /F/FC/H/HC/J/JC/EK/EKC/L/LC/M/MC/N /NC/P/PC/R/RCS/SC/T/TC/N/VC/W/WC /X/Y/Z/A Trailway XT 225 D/DC/E/EC/F/FC/G/GC/H/HC | 80-83 80-81 80 81/82 87-11 92-96 | CK2253 | Use CK2254 | |
| CK2235 | YZ 125 H IT 175 G/H/J/K IT 200 L/N/S | 81 80-83 84-86 | CK2254 | DT 100 G/H/J/K MX 100 G/H/J/K RT 100 A/D/E/F/G/H/J/K/L/M TT-R 125 M/N/P/R/ER/S/ES/ET/EV/EW/EX/EY TT-R 125 LWM/LN/LP/LER/LR/LES/LS/LET /LT/LV/LEV/LW/LEW/LX/LEX/LEY/LEA | 80-83 80-83 92-00 00-09 00-09/11 |
| CK2236 | DT 125 G/H XT 200 J/K/KC | 80-81 82-83 | CK2255 CT008 ▲ | TT 500 G/H FJ 600 L/LC/N/NC FZ 600 S/SC/T/TC/JC/U XJ 600 SD/SDC/SE/SEC/SF/SFC/SG/SGC /SH/SHC/SJ/SJC/SK/SKC "Seca II" YZF-R6 RRR/RRS/T/TC YZF R6S (SV/SW/SX/SY) FZ6 (All models) FZ6R (ZS 6Y/Z/A) XJ 650 G/H/J/K 'Maxim' XJ 650 LH 'Midnight' XJ 650 LJ/LK 'Seca Turbo' XJ 650 RJ 'Seca' FZX 700 S/SC/T/TC FZ 750 S/SC XJ 750 J/K/MK 'Maxim' TDM 850 D/DC/E/EC XJ 900 RK 'Seca' YZR 600 RL/RRL/RM/RMC/RN/RNC/P/PC "R6" XJ 700 N/NC/S/SC 'Maxim' XJ 700 XN/XNC/XS/XSC 'Maxim' FZ 750 N YX 600 S/SC/T/TC/U/UC/W/WC/A/AC XJ 750 RH/RJ/RK Seca | 80-81 ▲ 84-85 ▲ 86-88 ▲ 92-98 ▲ 03-05 ▲ 06-09 ▲ 04-09 ▲ 09-11 ▲ 80-83 ▲ 81 ▲ 82-83 ▲ 82 ▲ 86-87 ▲ 86 ▲ 82-83 ▲ 92-93 ▲ 83 ▲ 99-02 ▲ 85-86 ▲ 85-86 ▲ 85 ▲ 86-90 ▲ 81-83 ▲ |
| CK2237 | Use CK2254 | | CK2256 | XT 125 J/K/KC | 82-83 |
| CK2238 | YZ 80 G | 80 | CK2257 | Use CK2310 | |
| CK2239 | Use CK2279 | | CK2258 | Use CK2264 | |
| CK2240 CT008 ▲ | BW 350 T/U RZ 350 L/N/NCII TT 350 S/T YFM 350 FWBL/LC Big Bear XT 350 N/NC/S/SC/C/AC/B/BC/T/TC/U /UC/W/WC/D/DC/E/EC/F/FC/G/GC /H/HC/J/JC/K/KC/L/M/MC YFM 350 FXG/FXH/FXJ/FXK/FXL /FXM/FXN/FXP/FXR/FXS/FXT RD 400 C/D/E RD 400 F Daytona YFM 400 NM/NMC/NN/NHN/P/HP/NR YFM 400 S Big Bear 2WD YFM 400 FS/FT Big Bear 4WD YFM 400 FBHW Big Bear 400 Hunter IRS YFM 400 FBEW Big Bear 400 IRS Exploring Edition YFM 400 FBW/FBX Big Bear 4WD IRS | 87-88 ▲ 84-85 ▲ 86-87 ▲ 99 ▲ 85-00 ▲ 95-05 ▲ 76-78 ▲ 79 ▲ 00-03 ▲ 04 ▲ 04-05 ▲ 07- ▲ 07 ▲ 07-08 ▲ | CK2259 | Use CK2208 | |
| CK2241 | Use CK2267 | | CK2260 | No Fitment | |
| CK2242 | XS 650 SG/G/H/SH/SJ/SK | 80-83 | CK2261 CT008 ▲ | SRX 250 T/TC | 87 ▲ |
| CK2243 | Use CK2238 | | CK2262 CT017 ▲ | XS 400 J/K/RJ/RK | 82-83 ▲ |
| | | | CK2263 | N/A | |

| Part No. | Make/Model | Year | Part No. | Make/Model | Year |
|-------------------|---|---|-------------------|--|--|
| CK2264 | YAMAHA Cont.. No Fitment | | CK2280 CT008 ▲ | YAMAHA Cont.. YZ 250 J/K/L/N/S/T IT 490 K/L YZ 490 J/K/L/N/S/T/U/W YTZ 250 N/S IT 250 K WR 500 ZD/ZE | 82-87 ▲ 83-84 ▲ 82-89 ▲ 85-86 ▲ 83 ▲ 92-93 ▲ |
| CK2265 CT010 ▲ | YZ 60 H/J/K | 81-83 ▲ | | | |
| CK2266 | Use CK2287 | | | | |
| CK2267 CT008 ▲ | IT 250 G/H/J XT 250 G/H/J/K/KC/L/LC SR 250 G/H/TH/J | 80-82 ▲ 80-84 ▲ 80-82 ▲ | CK2281 | No Fitment | |
| | | | CK2282 | Use CK2299 | |
| CK2268 | Use CK2255 | | CK2283 | No Fitment | |
| CK2269 | Use CK2306 | | CK2284 | Use CK2255 | |
| CK2270 | Use CK2230 | | CK2285 CT017 ▲ | FJ 1100 L/LC/N/NC FJ 1200 S/SC/T/TC/U/UC/W/WC/A/AB/ AD/ADC/D/DC/AE/AEC | 84-85 ▲ 86-94 ▲ |
| CK2271 | use CK2285 | | | | |
| CK2272 | Use CK2274 | | CK2286 | N/A | |
| CK2273 CT008 ▲ | XS 850 G/H/LG/LH/SG/SH | 80-81 ▲ | CK2287 CT010 ▲ | YZ 80 H/J/K/L/N YFM 200 N YFM 200 DXS/DXT/DXU/DXW YFB 250 D/E/F/G/H/UH/J/UJ/UK/FWF/FWG/ FWH/FWJ/FWK/FWL/FWM YFM 250 W/A/B YFM 250 XL/XLC/M/MC/XN/XHN/XP /XHP/XR/XHR/XS Beartracker YTM 200 K/L/N/EK/EL/ERN YTM 225 DXK/DXL/DXN YTM 225 DRN/DRS YFM 225 S/T/U/W YFUIW/YFUITW Pro Hauler YFM 250 BT/BV/BW/BX/BY | 81-85 ▲ 85 ▲ 86-89 ▲ 92-00 ▲ 89-91 ▲ 00-04 ▲ 83-85 ▲ 83-85 ▲ 85-86 ▲ 86-89 ▲ 89 ▲ 05-09 ▲ |
| CK2274 CT020 ▲ | WR 250 ZF/ZG/ZH/ZJ YZ 250 E/F/G/H/J/K/L/M/N/P/R/S/T/V/W/X/Y/Z/A WR 450 FT/FV/FW/FX/FY/FZ/FA YFZ 450 RY/RZ/RA YFZ 450 XZ/XA YFZ 450 XSEA YZ 450 FW/FX/FY/FZ/FA XV 700 L/LC/N/NC 'Virago' XV 700 CS/CSC/SS/ST/STC/CT/CTC/SSC 'Virago' XV 750 H/J/K/MK 'Virago' XV 750 A/AC/B/BC Virago XV 750 U/UC/W/WCM Virago XV 750 D/DC/E/EC/F/FC/G/GC/HI/HC/J/JC Virago XV 920 RH/RJ XV 920 J/K/MK 'Virago' XV 1000 L/LC/N/NC 'Virago' XV 1100 S/SC/T/TC/U/UC/W/WC/A/AC/ B/BC/D/DC/E/EC/F/FC/G/GC/H/HC/ SH/SHC/J/JC/SJ/SJC Virago XVS 1100 V Star/V Star Custom XVS 1100 ATS V-Star Silverado XVS 1100 AS V-Star Classic XVS 1100 W-M V-Star Custom Midnight | 94-97 ▲ 93-11 ▲ 05-11 ▲ 09-11 ▲ 10-11 ▲ 11 ▲ 07-11 ▲ 84-85 ▲ 86-87 ▲ 81-83 ▲ 90 ▲ 88-89 ▲ 92-97 ▲ 81-82 ▲ 82-83 ▲ 84-85 ▲ 86-97 ▲ 99-09 ▲ 03-09 ▲ 04-09 ▲ 07-09 ▲ | CK2288 | N/A | |
| | | | CK2289 | Use CK2303 | |
| | | | CK2290 CT008 ▲ | YFM 350 ERT/ERU/ERW/ERA /ERD/ERE/ERF YFM 350 ERG YFM 350 FWT/FWU/FWW/FWA/FWB /FWD/FWE/FWF/FWG/FWH/FWJ /FWBK Big Bear YFM 350 XT/XU/XW/XA/XB/XD/XE/XF/XG /XH/XJ/XK/XL/XM/XN/XP/XR/XS Warrior YFM 350 UH/UJ/UK/UL/ULC YFM 350 RS/RT/RV/RW/RX/RZ/RA Raptor YFM 400 FWE/WWF/FWG/FWH FWJ/FWK/FWL Kodiak YFM 400 FWR | 87-94 ▲ 95 ▲ 87-98 ▲ 87-04 ▲ 96-99 ▲ 04-11 ▲ 93-99 ▲ 03 ▲ |
| CK2275 | Use CK2279 | | CK2291 | Use CK2303 | |
| CK2276 | YZ 125 J | 82 | CK2292 | BW 200 N/S/ES/ET/EU | 85-88 |
| CK2277 | Use CK2278 | | CK2293 | Use CK2261 | |
| CK2278 | YZ 125 K/L/N/S/T | 83-87 | CK2294 | Use CK2240 | |
| CK2279 CT008 ▲ | YFP 350 U Terrapro YFZ 350 T/U/W/A/B/D/E/F/G/H /J/K/L/M/N/P/R/S/T/V Banshee XS 400 G/SG/H/SH/SJ IT 250 H/J YZ 250 H IT 425 G IT 465 H/J YZ 465 G/H XS 750 D/2D/E/F/SE/SF | 88 ▲ 87-06 ▲ 80-82 ▲ 81-82 ▲ 81 ▲ 80 ▲ 81-82 ▲ 80-81 ▲ 77-79 ▲ | CK2295 CT008 ▲ | TY 350 N/S | 85-86 ▲ |
| | | | CK2296 CT008 ▲ | SR 500 E/F/G/H XT 500 G/H XZ 550 RJ/RK Vision | 78-81 ▲ 80-81 ▲ 82-83 ▲ |

CLUTCH BUYERS GUIDE

| Part No. | Make/Model | Year | Part No. | Make/Model | Year |
|-------------------|--|---------------|--------------------|---|---|
| CK2297 CT008 ▲ | YAMAHA Cont.. XT 550 K TT 600 K/L/N/S XT 600 L/LC/N/NC/S/SC/T /TC/U/UC/W/WC XT 600 EA/EAC/EB/EBC/ED/EDC/EE /EEC/EF/EFC/EG/EGC SRX 600 S/SC YFM 660 RN/RP/RPB/RR/RS/RT Raptor | 83 ▲ | CK2313 CT010 ▲ | YAMAHA Cont.. YFS 200 U/W/A/B/D/E/F/G/H /J/K/L/M/N/P/R/S/T/V Blaster WR 200 D | 88-06 ▲ |
| | | 83-86 ▲ | | | 92 ▲ |
| | | 84-89 ▲ | | | |
| | | 90-95 ▲ | | | |
| CK2298 | XC 180 All Models | 83-85 | CK2314 | Discontinued | |
| | | | | | |
| CK2299 CT020 ▲ | XV 500 K 'Virago' XV 535 T/TC/U/A/AC/E/EC/F/FC/SF/ SFC/G/GC/SG/SGC/H/HC/SH/SHC/ J/JC/SJ/SJC Virago | 83 ▲ | CK2315 CT010 ▲ | FZR 600 W/WC/RA/AC/RAC/RB/RBC /RD/RDC/RE/REC/RF/RFC/RG/RGC /H/RHC/RJ/RJC/RK/RKC/RL/RLC | 89-99 ▲ |
| | | 87-99 ▲ | CK2316 CT008 ▲ | XV 250 Route 66/Virago XV 250 X V-Star | 88-90/95-07 ▲ 08-11 ▲ |
| CK2300 | XVZ 12 'All models' V-Max VMX 12 All models XVZ 1300 Royal Star Tour Deluxe XVZ 1300 LTK Venture XVZ 1300 Venture MM Limited Edition XVZ 1300 Royal Star XVZ 1300 Royal Star Standard XVZ 1300 Royal Star Boulevard XVZ 1300 Royal Star Midnight Venture XVZ 1300 Royal Star Midnight Tour Deluxe XVZ 1300 Royal Star Tour Classic XVZ 1300 Royal Star Venture XVZ 1300 Royal Star Venture S | 83-85 | CK2317 CT010 ▲ | FZR 400 U/W/SUC/SWC/A/SAC | 88-90 ▲ |
| | | 85-07 | CK2318 CT008 ▲ | FZR 750 OWOI YZF 750 SP/RF/RFC/RG/RGC/RH/RHC YZF-R6 V/W/X/Y/Z/A | 89-91 ▲ 94-96 ▲ 06-11 ▲ |
| | | 97-01/05-07 | CK2319 CT005 ▲ | YZ 125 B/D TT-R 250 L/M/N/P/R/S/T/V WR 250 RX/RV/RZ/RA WR 250 XX/XY/XZ/ZA Supermotard | 91-92 ▲ 99-06 ▲ 08-10 ▲ 08-11 ▲ |
| | | 96-98 | CK2321 CT008 ▲ | FZR 1000 W/WC/A/AC/B/BC/D/DC | 89-92 ▲ |
| | | 01 | CK2324 | XT 225 D/DC/E/EC/F/FC/G/GC/H/HC/J/JC/K/KC /L/M/MC/N/NC/P/PC/R/RC/S/SC/T/TC/V/VC /W/WC TT 225 S/T TT-R 225 L/M/N/P/R/S/T TT-R 230 T/V/W/X/Y/A | 92-07 86-87 99-05 05-09/11 |
| | | 98 | CK2325 CT005 ▲ | YZ 125 E/F/G/H/J/K/L/M/N/P/R/S/T/V/W/X/Y/Z/A | 93-11 ▲ |
| | | 96-97/00 | CK2326 | Use CK2318 | |
| | | 99-01 | CK2327 CT008 ▲ | GTS 1000 AE/AEC/AF/AFC FZR 1000 E/EC/F/FC/G/GC YZF 1000 Thunderace | 93-94 ▲ 93-95 ▲ 97-00 ▲ |
| | | 99-01 | CK2329 | Use CK2304 | |
| | | 02-07 | CK2332 | YZF 600 RG/RGC/RH/RHC YZF 600 R RJ/RK/RL/RM/RN/RP/RR /RS/RT/RV/RW | 95-96 97-07 |
| | | 06-07 | CK2334 | No Fitment | |
| | | 96-00 | CK2335 CT00?? ▲ | YZ 80 G/H/J/K/L/M/N YZ 85 P/R/S/T/V/W/X/Y/Z/A | 95-01 ▲ 02-11 ▲ |
| 99-07 | CK2337 | Use CK2370 | | | |
| 08/10-11 | CK2350 CT017 ▲ | YZF R1 (1000) | 99-03 ▲ | | |
| CK2301 | Use CK2240 | | | | |
| CK2302 | No Fitment | | | | |
| CK2303 | YFM 50 S/T/RV/RW/RX Raptor YFM 80 N/S/T/U/D/E/F/G/H/J/K/L/M/N BW 80 S/T/U/A PW 80 K/N/B/D/E/F/G/H/J/K/L/M/N/P/R/S/T/V YFM 80 WP/WR/WS/RT/RV/RW/RX Raptor YFM 80 GT/GV/GW/GX | 04-08 | CK2351 | XV 1600 Road Star XV 1600 Road Star Silverado XV 1600 Road Star Silverado XV 1600 Midnight Star XV 1700 Road Star Silverado S (Cast wheel) XV 1700 Road Star Midnight Warrior XV 1700 Road Star (Spoke wheels) XV 1700 Road Star (Cast wheels) XV 1700 Road Star Midnight Silverado (Cast wheel) | 01-05 07-09 03 02-03 08-11 05 06 04/07-10 04-07 |
| | | 85-02 | | | |
| | | 86-90 | | | |
| | | 83-06 | | | |
| | | 02-08 | | | |
| 05-08 | | | | | |
| CK2304 CT010 ▲ | YZ 80 S/T/U/W/A/B/D/E/F | 86-94 ▲ | | | |
| CK2305 | No Fitment | | | | |
| CK2306 CT008 ▲ | XJ 550 H/J/K 'Maxim' XJ 550 RH/RJ/RK 'Seca' XT 550 J FZ 700 T/TC FZ 750 U/UC | 81-83 ▲ | | | |
| | | 81-83 ▲ | | | |
| | | 82 ▲ | | | |
| | | 87 ▲ | | | |
| CK2307 | Use CK2319 | 88 ▲ | | | |
| | | | | | |
| CK2308 CT008 ▲ | FZR 750 RT/RU FZR 1000 T/TC/U/UC/Genesis | 87-88 ▲ | | | |
| | | 87-88 ▲ | | | |
| CK2309 CT020 ▲ | YZ 250 U/W/A/B/D YZ 250 WRW/WRA WR 250 ZB/ZD/ZE XVS 650 V Star Custom XVS 650 A V-Star Classic XVS 650 V Star Silverado | 88-92 ▲ | | | |
| | | 89-90 ▲ | | | |
| | | 91-93 ▲ | | | |
| | | 97-11 ▲ | | | |
| | | 98-10 ▲ | | | |
| CK2310 CT008 ▲ | YZ 400 FK/FL WR 400 FK/FL/FM | 98-99 ▲ | | | |
| | | 98-00 ▲ | | | |
| CK2311 | YZ 125W/A | 89-90 | | | |
| CK2312 | YZ 125 U | 88 | | | |

| Part No. | Make/Model | Year | Part No. | Make/Model | Year |
|-------------------|--|--|---------------------|---|--|
| CK2352 CT020 ▲ | YAMAHA Cont.. YZ 426 FM YZ 450 FR/FS/FT/FV YZF-R1 | 00 ▲ 03-06 ▲ 09-11 ▲ | CK3310 | SUZUKI Cont.. N/A | |
| CK2354 | TT-R 90 M/N/P/R/ES/S/ET/EV/EW | 04-07 | CK3311 | No Fitment | |
| CK2355 CT005 ▲ | WR 250 FN/FP/FR/FS/FT/FV/FW/FX/FY/FZ/FA YZ 250 FN/FP/FR/FS/FT/FV/FW/FX/FY/FZ/FA | 01-11 ▲ 01-11 ▲ | CK3312 | No Fitment | |
| CK2356 CT020 ▲ | WR 426 FN/FP/YZ 426 FN/FP WR 450 FR/FS YZF R1 (5VY) YZF R1 YZR R1 IE FZ1 V/W/X/Z/A | 01-02 ▲ 03-04 ▲ 04-06 ▲ 07-08 ▲ 06 ▲ 06-11 ▲ | CK3313 | No Fitment | |
| CK2358 CT008 ▲ | FZS 1000 N/NC/P/PC/R/RC/S/RS/T FZ1 | 01-05 ▲ | CK3314 | No Fitment | |
| CK2362 CT017 ▲ | XT 1200 Z Super Tenere FJR 1300 R/RC/S/RS/T FJR 1300 AV/AEV/AW/AEW/AX/AEX/AY/AEY/AZS/AAS XVS 1300 V-Star 1300 Tourer XVS 1300 V-Star XVS 1300 Stryker | 12 ▲ 03-05 ▲ 06-11 ▲ 07-11 ▲ 07-11 ▲ 11 ▲ | CK3315 CT022 ▲ | DS 250 T TS 250 N/T/X | 80 ▲ 80-81 ▲ |
| CK2364 CT020 ▲ | YFZ 450 S/T/V/W/X/Y YFZ 450 BBW Bill Balance Edition YFZ 450 SEW/SPX Special Edition YFM 700 RV/RW/RX/RV/RA Raptor YFM 700 RSEW/RSPX/RSPY/RSEA Special Edition FZ8 | 04-09 ▲ 07 ▲ 07-08 ▲ 06-09/11 ▲ 07-09/11 ▲ 11 ▲ | CK3316 CT022 ▲ | No Fitment | ▲ |
| CK2367 CT017 ▲ | XV 1900 Roadliner XV 1900 Roadliner Midnight XV 1900 Roadliner S XV 1900 Raider S | 06-07 ▲ 06-09 ▲ 06-10 ▲ 08-11 ▲ | CK3317 | Use CK3393 | |
| CK2370 CT005 ▲ | XT 250 X/Y/Z/A YFM 250 RX/RV/RZ/RA Raptor YFM 250 RSPX Special Edition YFM 250 RSPXC Special Edition Custom YFM 250 R (RSPA) | 08-11 ▲ 08-11 ▲ 08 ▲ 08 ▲ 11 ▲ | CK3318 CT011 ▲ | RM 60 N/T/X/Z/D RM 80 T/X RM 80 E/F RM 80 K/L/ M/N/P/R/S/T/V/W/X/Y/K1 RM 85 K2/K3/LK3/K4/LK4/K5/LK5/K6 /LK6/K7/LK7/K8/LK8/K9/LK9/L0/LL0 DR 100 D/E/F/G/H/J/K/L DS 100 C/N/T/X SP 100 D GN 125 Z/D GN 125 EM/EN/EP/ER/ES/ET/EV DR 125 Z/D/E/G/H/J DR 125 SER/SES/SET DR-Z 125 K3/K4/L5/K6/K7/K8/K9 DR-Z 125 LK3/LK4/LK5/LK6/LK7/LK8/LK9 DS 125 N/T/X SP 125 Z/D SP 125 G/H/J KAWASAKI KLX 125 A1/A2/A3/A6F KLX 125 L (B1/B2/B3/B6F) | 79-83 ▲ 80-81 ▲ 84-85 ▲ 89-01 ▲ 02-11 ▲ 83-90 ▲ 78-81 ▲ 83 ▲ 82-83 ▲ 91-97 ▲ 82-88 ▲ 94-96 ▲ 03-11 ▲ 03-10 ▲ 79-81 ▲ 82-83 ▲ 86-88 ▲ |
| CK2375 | TTR 110 EX/EY/EA | 08-09/11 | CK3319 CT011 ▲ | LT 230 SF/SG/SH/SJ (from E/No.104361) LT 250 RF/RG RM 100 N/T/X RM 125 G/H DS 185 T TS 185 T/X SP 200 G/H/J LT 250 RG DR 200 G/H/J/SET/SEV/SEW/SEX/SEY/SEK1-SEK9 | 85-88 ▲ 85-86 ▲ 79-81 ▲ 86-87 ▲ 80 ▲ 80-81 ▲ 86-88 ▲ 86 ▲ 86-88 & 96-09 ▲ |
| CK2379 CT017 ▲ | XVS 950 V-Star 950 XVS 950 V-Star 950 Tourer | 09-11 ▲ 09-11 ▲ | CK3320 | Use CK3324 | |
| CK2380 CT017 ▲ | VMX 1700 V-Max (6 piston radial caliper) | 09-11 ▲ | CK3321 | No Fitment | |
| CK3301 | SUZUKI N/A | | CK3322 | Use CK3343 | |
| CK3302 | N/A | | CK3323 | Use CK3344 | |
| CK3303 | N/A | | CK3324 CT018SP ▲ | GS 750 B/C/EC/N/EN/LN GT 750 K/L/M/A/B | 77-79 ▲ 73-77 ▲ |
| CK3304 | N/A | | CK3325 | No Fitment | |
| CK3305 | No Fitment | | CK3326 | No Fitment | |
| CK3306 | No Fitment | | CK3327 | Use CK3345 | |
| CK3307 | N/A | | CK3328 CT011 ▲ | LT 125 D/E/F/G/H LT 185 E/F/G/H ALT 125 D/E/F/G ALT 185 F RM 50 C/N/T | 83-87 ▲ 84-87 ▲ 83-86 ▲ 85 ▲ 78-80 ▲ |
| CK3308 | Use CK3318 | | | | |
| CK3309 | Use CK3319 | | | | |

| Part No. | Make/Model | Year | Part No. | Make/Model | Year |
|---------------------|--|--|---------------------|--|--|
| CK3329 CT011 ▲ | SUZUKI Cont.. LT 250 SK/SL GS 250 TT/TX RM 125 X/Z/D RM 125 F PE 175 T/X/Z/D/E RS 175 T/X/Z | 89-90 ▲ 80-81 ▲ 81-83 ▲ 85 ▲ 80-84 ▲ 80-82 ▲ | CK3345 | SUZUKI Cont.. GS 1000 C/N/EC/EN/SN/ET/ST | 78-80 |
| | | | CK3346 CT024SP ▲ | GS 1100 SD GS 1100 ED/ESD | 83 ▲ 83 ▲ |
| | | | CK3347 | XN 85 D | 83 |
| CK3330 CT018SP ▲ | GS 650 EX/EZ/GX/GZ/GD GS 650 GLX/GLZ/GLD/MD GS 700 EF/ESF GS 750 ET/EX/EZ/TZ/TD GS 750 LT/LX GS 750 ED/ESD/SD GS 850 GN/GT/GX/GZ/GD/ GLT/GLX/GLZ/GLD | 81-83 ▲ 81-83 ▲ 85 ▲ 80-83 ▲ 80-81 ▲ 83 ▲ 79-83 ▲ | CK3348 | RM 465 X/Z RM 500 D/E GSX 600 FJ/FK/FL/FM 'Katana' GSF 600 ST/SV/SW Bandit GSF 600 SY/SK1/SK2/SK3 GSX R 750 G/H | 81-82 83-84 88-91 96-98 00-03 86-87 |
| | | | CK3349 | No Fitment | |
| CK3331 CT022 ▲ | PE 250 T/X RS 250 T/X RM 250 T/X/Z/D/E/F | 80-81 ▲ 80-81 ▲ 80-85 ▲ | CK3350 | Use CK3315 | |
| | | | CK3351 | No Fitment | |
| CK3332 CT022 ▲ | GN 400 T/XT/TX/TZ DR 400 T SP 400 T PE 400 T/X RM 400 T | 80-82 ▲ 80 ▲ 80 ▲ 80-81 ▲ 80 ▲ | CK3352 | Use CK3351 | |
| | | | CK3354 | No Fitment | |
| | | | CK3355 | No Fitment | |
| CK3333 CT022 ▲ | GS 450 ET/ST/EX/SX/EZ/ED GS 450 LT/LX/LZ/LD/LF/LG/LH/LJ GS 450 TX/TZ/TXZ/TXD GS 500 EK/EL/EM/EN/EP/ER/ES/ET /EV/EW/EX/EY/K1/K2/K3 GS 500 FK4/FK5/FK6/FK7/FK8/FK9 | 80-83 ▲ 80-88 ▲ 81-83 ▲ 89-03 ▲ 04-09 ▲ | CK3356 CT011 ▲ | GS 300 LZ/LD/LF RM 125 E RM 125 J/K/L/M LT-F 4WD XM/N/P/R/S/T/V/W 250 (2 x 4) LT-F 300 FX/FY/FK1/FK2 "King Quad" 300 (2 x 4 / 4 x 4) 30 (4 x 4) | 82-85 ▲ 84 ▲ 88-91 ▲ 91-97 ▲ 99-00 ▲ 99-02 ▲ 98-04 ▲ 05 ▲ |
| CK3334 CT022 ▲ | No Fitment | ▲ | | | |
| CK3335 CT024SP ▲ | GS 1000 SZ GS 1000 GT/GX/GLT/GLX/SZ GS 1100 ET/EX/EZ GS 1100 GZ/GD/GLZ/GLD GS 1100 LT GS 1150 ES3/ESE/EF/ESF/EF2/EG/ESG VL 1500 W/X/Y/K1-K4 Intruder Legendary Classic VL 1500 BK5/K5/TK5/BK6/K6/TK6/K7/ /TK7/TK8/K8/K9/TK9 Boulevard C90/C90T | 82 ▲ 80-82 ▲ 80-82 ▲ 82-83 ▲ 80 ▲ 83-86 ▲ 98-04 ▲ 05-10 ▲ | CK3357 | GSX 600 FW/FX/FY/FK1-FK6/FK8 Katana GR 650 D/XD GSX 750 FW/FX/FY/FK1-FK6 Katana | 98-06/08 83 98-06 |
| | | | CK3358 | GN 250 Z/D/F/J DR 250 Z/D/F GZ 250 X/Y/K1-K9/L0 Marauder SP 250 Z/D/F TU 250 XK9/L1 | 82-88 82-85 99-10 82-85 09-11 |
| CK3336 | Use CK3348 | | CK3359 CT029SP ■ | DR 500 X/Z/D SP 500 X/Z/D SP 600 F LS 650 FG/PG/FH/PH/PJ/PS/PT/PV/PW /PX/PY/PK1/PK2/PK3/PK4 LS 650 K5-K9/L1 Boulevard S40 (650cc) | 81-83 ■ 81-83 ■ 85 ■ 86-88/95-04 ■ 05-11 ■ |
| CK3337 CT011 ▲ | TS 100 T/X TS 125 T/X | 80-81 ▲ 80-81 ▲ | CK3360 | Use CK3390 | |
| CK3338 | No Fitment | | CK3361 | Use CK3364 | |
| CK3339 | No Fitment | | CK3362 | Use CK3364 | |
| CK3340 CT011 ▲ | DS 80 T/X/Z/D/F/G/H/J/K/L/M/N/P/R/S /T/V/W/X/Y JR 80 K1/K2/K3/K4 RM 80 Z/D | 80-00 ▲ 01-04 ▲ 82-83 ▲ | CK3363 | Use CK3319 | |
| CK3341 | Use CK3340 | | CK3364 CT011 ▲ | LT 160 EK/EL/EM/EN LT-F 160 M/N/P/R/S/T/V/W/X/Y/K1/K3 LT 160 K3/K4 Quadrunner LT-F 230 G/H LT 230 GEF/GEG LT 230 EH/EJ/EK/EL/EM/EN/EP LT 230 SF/SG/SH/SJ up to E. no 104360 LT-F 250 K2 | 89-92 ▲ 91-01/03 ▲ 03-04 ▲ 86-87 ▲ 85-86 ▲ 87-93 ▲ 85-88 ▲ 02 ▲ |
| CK3342 | Use CK3328 | | CK3365 | Use CK3319 | |
| CK3343 | No Fitment | | | | |
| CK3344 CT018SP ▲ | GS 550 B/C/EC/N/EN/ET GS 550 MZ GS 550 LT/LX/LZ GS 550 LD/LF/LG/TX GS 550 ED/ESD/ES3 GS 550 ESE/EF/ESF/ESG | 77-80 ▲ 82 ▲ 80-82 ▲ 81-85 ▲ 83 ▲ 84-85 ▲ | | | |

| Part No. | Make/Model | Year | Part No. | Make/Model | Year |
|------------------------------|--|--|---------------------|--|---|
| CK3366 | SUZUKI Cont.. JR 50 C/N/T/X/Z/F/G/H/J/K/L/N/P /R/S/T/V/W/X/Y/K1/K2/K3/K4/K5/K6 KAWASAKI KDX 50 A1/A2/A3/A6F | 78-06 03-06 | CK3387 CT036SP ▲ | SUZUKI Cont.. GSXR 600 WN/WP GSX 600 FN/FP/FR/FS/FT/FV Katana GSX R 750 J/K/L/M/N GSX-R 750 WP/WR/WS | 92-93 ▲ 92-97 ▲ 88-92 ▲ 92-95 ▲ |
| CK3367 | RM 80 G/H/J | 86-88 | CK3388 CT029 ▲ | GV 1400 GDG/GTG/GCG/ GDH/GTH/GCH/GDJ | 86-88 ▲ |
| CK3368 | Use CK3318 | | CK3390 CT011 ▲ | LT 250 EFF/EFG LT-4WD (250cc) Quadrunner 4WD LT-F 4WD V/W Quadrunner 4WD (250cc) LT-F 250 J/K/L/M/N/P/R/S/V/W/X/Y/K1 LT-F 250 FX/FY/FK1/FK2 "Quadrunner" LT-F 250 K3/K5/K6/K7/K8/K9 250 (2 x 4 / 4 x 4) LT 300 EH/EJ/EK | 85-86 ▲ 87-97 ▲ 97-98 ▲ 88-01 ▲ 99-02 ▲ 03/05-09 ▲ 01-05 ▲ 87-88 ▲ |
| CK3370 | Use CK3329 | | CK3391 | GSX 750 FK/FL/FM/FN/FP/FR/FS/FT | 89-96 |
| CK3371 | Use CK3319 | | CK3392 | GSX R 1100 K/L/M/N GSX 1100 GM/GN/GP | 89-92 91-93 |
| CK3372 CT022 ▲ | LT 250 RH/RJ/RK/RL/RM/RN RM 250 G/H | 87-92 ▲ 86-87 ▲ | CK3393 | No Fitment | |
| CK3373 | No Fitment | | CK3394 | use CK 3374 | |
| CK3374 CT022 ▲ | RM 250 J/K/L/R/S RMX 250 K/L/M RMX 250 R/S/T/V/W/X/Y LT 500 RH/RJ/RK/RL GV 700 GLFG/GLF2 | 88-90/94-95 ▲ 89-91 ▲ 94-00 ▲ 87-90 ▲ 85 ▲ | CK3395 | Use CK3329 | |
| CK3375 | GV 1200 GLF/GLF2/GLG | 85-86 | CK3397 CT011 ▲ | GSF 400 M/N/P | 91-93 ▲ |
| CK3376 | GSX -R 750 RG (Dry clutch) | 86 | CK3398 | Use CK3318 | |
| CK3377 CT022 ▲ CT029 ■ | SV 650 X/Y/K1/SK1/K2/SK2 VS 700 GLF/GLP/GLEF/GLEP/GLEG/GLEH VS 750 GLPJ/GLPK/GLPL/GLPM VL 800 K1/K2/K3/K4 Intruder Volusia VX 800 L/M/N/P VS 800 Intruder GLN/GLP/GLR/GLS/GLT/GLV GLW/GLX/GLY/GLK1/GLK2/GLK3/GLK4 VZ 800 V/W/X/Y/K1-K4 Marauder VZ 800 K5/K6/BK6/K7/ZK7/K8/ZK8/K9 /ZK9 M50 Boulevard VL 800 K5/K6/CK5/TK5/CK6/TK6/K7/TK7 /ZK7/K8/TK8/ZK8/K9/TK9/ZK9/L1 Boulevard C50/C50 T VS 800 K5/K6/K7/K8/K9/L0 S50 Boulevard | 99-02 ▲ 86-87 ■ 88-91 ■ 01-04 ■ 90-93 ■ 92-04 ■ 97-04 ■ 05-10 ■ 05-11 ■ 05-10 ■ | CK3399 CT022 ▲ | DR 250 L/M/N/P DR 250 SL/SM/SN/SEP/SER/SES DR 350 L/M/N/P/R/S/T/V/W DR 350 SL/SM/SN/SP/SER/SES/SET /SEV/SEW/SEX | 90-93 ▲ 90-95 ▲ 90-98 ▲ 90-99 ▲ |
| CK3378 | No Fitment | | CK3400 | RM 250 M/N/P RMX 250 N/P | 91-93 ▲ 92-93 ▲ |
| CK3379 | Use CK3381 | | CK3401 CT003 ● | SUZUKI RM 125 N/P/R/S/T/V/W/X/Y/K1 | 92-01 ● |
| CK3380 | RB 50 H (GSXR50) | 87 | CK3402 CT029SP ■ | DR 650 SL/SM/SN/SP/SER/SES | 90-95 ■ |
| CK3381 | GSX 1100 FJ/FK/FL/FM/FN/FP GSXR 1100 G/H/J | 88-93 86-88 | CK3405 | Use CK3392 | |
| CK3382 | VS 1400 GLPH/GLFH/GLPJ/GLPL/GLPM /GLPN/GLPP/GLPR/GLPS/GLPT/GLPV /GLPW/GLPX/GLPY/GLPK1/GLPK2/ /GLPK3/GLPK4 VS 1400 GLPK5/K6/K7/K8/K9/L0 Boulevard S83 (1400cc) | 87-04 05-10 | CK3406 | Use CK3387 | |
| CK3383 | Use CK3356 | | CK3408 CT036SP ▲ | RF 600 RR/RS/RT | 94-96 ▲ |
| CK3384 CT011 ▲ | No Fitment | ▲ | CK3409 | Use CK3418 | |
| CK3385 | No Fitment | | CK3417 CT014 ▲ | GSX-R 750 T/V/W/X GSXR 750 K4/K5 RF 900 RS/RS2/RT/RV TL 1000 SV/SW GSF 1200 SV/SAV/SW/SX/SY/SK1/SK2 K1/K2/SK3/K3/SK4/SK5 | 96-99 ▲ 04-05 ▲ 95-97 ▲ 97-98 ▲ 97-05 ▲ |
| CK3386 CT024 ▲ | DR 650 SET/SEV/SEW/SEX/SEY/SEK1/SEK2/SEK3 SEK4/SEK5/SEK6/SEK7/SEK8/SEK9/SEL1 | 96-11 ▲ | CK3418 | RF 900 RR GSXR 1100 WR/WP/WS/WT/WV/WWW | 94 93-98 |
| | | | CK3423 | Use CK4435 | |
| | | | CK3424 | Use CK1206 | |
| | | | CK3427 | Use CK3417 | |

| Part No. | Make/Model | Year | Part No. | Make/Model | Year |
|-------------------|--|--|-------------------|---|---|
| CK3428 CT009 ▲ | SUZUKI Cont.. TL 1000 RW/RX/RY TL 1000 SX/SY | 98-00 ▲ 99-00 ▲ | CK3462 CT009 ▲ | SUZUKI Cont.. GSXR 1000 K9/L1 | 09-11 ▲ |
| CK3430 CT021 ▲ | GSX 1300 RX Hayabusa GSX 1300 RY/RK1 Hayabusa | 99 ▲ 00-01 ▲ | CK3463 | VLR 1800 TK8/TK9 C109 RT Touring VLR 1800 K8/K9 C109 R | 08-10 08-10 |
| CK3433 CT006 ▲ | DR-Z 400 SY/SK1/SK2/SK3/SK4/SK5/SK6 /SK7/SK8/SK9/SL1 DR-Z 400 /EY/Y/EK1/K1/EK2/K2/K3/EK3 /K4/EK4/EK5/EK6/EK7 DR-Z 400 SMK5/SMK6/SMK7/SMK8/SMK9 LT-Z 400 K3/K4 CRF 450 RB KAWASAKI KLX 400 R (KLX 400 B1) KLX 400 SR (KLX 400 A1) KSF 400 A1/A2 (KFX 400) ARCTIC CAT 400 DVX | 00-11 ▲ 00-08 ▲ 05-10 ▲ 03-04 ▲ 11 ▲ 03-04 ▲ 03-04 ▲ 03-04 ▲ 04-06 ▲ | CK4401 | KAWASAKI N/A | |
| CK3435 CT009 ▲ | TL 1000 RK1/RK2/RK3 TL 1000 SK1 | 01-03 ▲ 01 ▲ | CK4402 | N/A | |
| CK3443 CT021 ▲ | DL 1000 K2-K9 V-Strom SV 1000 K3/SK3/K4/SK4/K5/SK5/SK6/SK7 GSX 1300 RK2/RZK3/RK4/RZK4/RK5 /RZK6/RK6/RK7/RK8/RK9/RL1 GSX 1300 BKAK8/K9 B-King ABS GSX 1300 BKK8/K9 B-King | 02-09 ▲ 03-07 ▲ 02-11 ▲ 08-09 ▲ 08-09 ▲ | CK4403 | Use CK4440 | |
| CK3447 CT006 ▲ | LT-Z 400 K5/K6/K7/K8/K9/I0 KAWASAKI KSF 400 A3/A6F (KFX 400) ARCTIC CAT 400 DVX | 05-10 ▲ 05-06 ▲ 07-08 ▲ | CK4404 | N/A | |
| CK3448 CT011 | LT-Z 250 K4/K5/K6/K7/K8/K9/L0 Quad Sport | 04-10 | CK4405 | N/A | |
| CK3450 | RM-Z 450 K5/K6/K7/K8/K9/L0/ZL0/L1 LT-R 450 K6/K7/K8/K9 LTR 450 ZK8/ZK9 Quadacer Limited | 05-11 06-11 08-10 | CK4406 | Use CK4425 | |
| CK3451 CT015 ▲ | GSXR 1000 K5/K6/K7/K8 | 05-08 ▲ | CK4407 | N/A | |
| CK3452 CT006 ▲ | LT-F 500 FK3/FK4/FK5/FK6/FK7 500 (Manual 4x4) 500 (4 x 4 Manual) | 03-07 ▲ 05-09 ▲ 03-04 ▲ | CK4408 | N/A | |
| CK3453 CT016 ▲ | RM 250 K6/K7/K8 | 06-08 ▲ | CK4409 CT019 ▲ | Z1/A/B 900 KZ 900 A4/A5 Z 900 B1 Ltd KZ 1000 A1-A4 KZ 1000 B1-B4 (Ltd) KZ 1000 C1/C1A/C2/C3/C4 Police KZ 1000 D1/D3 (Z1-R) KZ 1000 G1 Classic | 73-75 ▲ 76-77 ▲ 76 ▲ 77-80 ▲ 77-80 ▲ 78-81 ▲ 78-80 ▲ 80 ▲ |
| CK3454 CT016 ▲ | RM 250 K3/K4/K5 | 03-05 ▲ | CK4410 | Use CK4425 | |
| CK3455 CT015 ▲ | GSXR 600 K6/K7 | 06-07 ▲ | CK4411 | KE 125 A7/A8/A9/A10 KE 175 D2/D3/D4/D5 | 80-83 80-83 |
| CK3456 CT015 ▲ | GSXR 600 K8/K9 GSXR 750 K6/K7/K8/K9 | 08-10 ▲ 06-10 ▲ | CK4413 CT019 ▲ | KZ 650 B1/B2/B2A/B3 KZ 650 C1/C2/C3 Custom KZ 650 D1/D1A/D2 SR KZ 650 E1 (Ltd)/F1/H1/H2/H3 (CSR) KZ 700 A1 ZN 700 A1/A2 (Ltd) KZ 750 E1/E2/E3 KZ 750 F1 (Ltd) KZ 750 H1/H2/H3/H4 (Ltd) KZ 750 L3 KZ 750 N1/N2 'Spectre' KZ 750 R1 (GPZ) ZX 750 A1/A2/A3 (GPZ) | 77-79 ▲ 77-79 ▲ 78-79 ▲ 80-83 ▲ 84 ▲ 84-85 ▲ 80-82 ▲ 83 ▲ 80-83 ▲ 83 ▲ 82-83 ▲ 82 ▲ 83-85 ▲ |
| CK3457 | VZR 1800 K6/K7/ZK7/RK8/ZK8/RK9 RZK9/RZL1 (M109R) VZR 1800 R2K8/R2K9R2/R2L1 Boulevard (M109R2) | 06-11 08-11 | CK4414 | N/A | |
| CK3458 | DR-Z 70 K8/K9 | 08-11 | CK4415 CT004 ▲ | H2/H2-A "Mach IV" | 72-73 ▲ |
| CK3459 CT021 ▲ | GSF 1250 SKA7/SKA8/SKA9 GSF 1250 SK7/SK8/SK9 Bandit GSX 1250 FAL1 VZ 1500 K9/L0 M90 Boulevard | 07-10 07-10 11 09 | CK4416 | N/A | |
| | | | CK4417 | Use CK4421 | |
| | | | CK4419 | KLF 300 A1/A2/B1-B17/C1-C17 'Bayou' KEF 300 A1/A2/A3/A4/A5/A6 'Lakota' KEF 300 B1/B2/B3 "Lakota Sport" ARCTIC CAT 400 (2 x 4 / 4 x 4) | 86-05 95-00 01-03 00-02 |
| | | | CK4420 | Use CK4411 | |
| | | | CK4421 | KZ 440 A1/A2/A3/A4 KZ 440 B1/B2/D1/D2/D3/D4/D5 KZ 440 G1 | 80-83 80-83 82 |

All part numbers, prefixes and suffixes shown in this catalog are unique and form a registered copyright as the property of EBC Brakes and its UK trademark owners

| Part No. | Make/Model | Year | Part No. | Make/Model | Year |
|-------------------|---|---|-------------------|---|--|
| CK4422 | KAWASAKI Cont.. Use CK4446 | | CK4434 CT016 ▲ | KAWASAKI Cont.. ZL 900 A1/A2 'Eliminator' ZG 1000 A1-A20 'Concours' ZL 1000 A1 KZ 1000 E1/E2 'Shaft' KZ 1000 K1/K2 (Ltd) KZ 1000 M1/M2 (CSR) KZ 1000 P1-P22/P24 Police KZ 1000 R1/R2 'Replica' KZ 1000 J1/J2/J3 ZG 1000 A6F Concours ZX 1000 A1/A2 Ninja ZX 1000 B1/B2/B3 Ninja ZX10 KZ 1100 A1/A2/A3 KZ 1100 B1/B2 (GPZ) KZ 1100 D1/D2 'Spectre' KZ 1100 L1 (Ltd) ZN 1100 B1/B2 (Ltd) ZX 1100 A1/A2 Ninja ZR 1100 A1/A2/A3/A4 Zephyr (ZR 1100 C3/C4) ZRX 1100 ZG 1200 A1/B1-B17 Voyager X11 ZRX 1200 R (ZR 1200 A1/A2/A3/A4/A5) | 85-86 ▲ 86-05 ▲ 87 ▲ 79-80 ▲ 81-82 ▲ 81-82 ▲ 82-03/05 ▲ 82-83 ▲ 81-83 ▲ 06 ▲ 86-87 ▲ 88-90 ▲ 81-83 ▲ 81-82 ▲ 82-83 ▲ 83 ▲ 84-85 ▲ 86-87 ▲ 92-95 ▲ 99-00 ▲ 86-03 ▲ 01-05 ▲ |
| CK4423 | Use CK4425 | | | | |
| CK4424 CT016 ▲ | KLR 600 (KL 600 A1/B1/B2) EN 450 A1-A6 (454 Ltd) EN 500 A1-A7/C1-C10/C6F/C7F/C8F/C9F EX 500 A1-A7/D1-D12/D6F/D7F/D8F/D9F KZ 550 D1 (GPZ) KZ 550 F1 'Spectre' KZ 550 F2 (Ltd) KZ 550 H1/H2 (GPZ) KZ 550 M1 (Ltd) KZ 550 A1/A2/A3/A4 KZ 550 C1/C2/C3/C4 (Ltd) ZX 550 A1/A2/A3 (GPZ) ZR 550 B1-B4 "Zephyr" ZL 600 A1/A2 ZL 600 Eliminator B2/B3 ZX 600 C1-C10 Ninja R ZX 600 D1-D4 (ZX6) ZX 600 E1-E13 (ZX6) ZX 600 A1/A2/A3/B1 'Ninja' ER-6N (ER 650 C9F/CAF) EX 650 A6F/A7F/A8F/C9F/CAF/CBF KLE 650 A7F/A8F/AAF/CAF/CBF Verysys KLR 650 (KL 650 A1-A9) KLX 650 C1/C2/C3/C4 KL 650 B2/B3 "Tengai" KLX 650 A1/A2/A3/D1 (KLX650R) ZX 750 H1/H2 Ninja ZX-7 | 84-86 ▲ 85-90 ▲ 90-09 87-09 ▲ 81 ▲ 83 ▲ 84 ▲ 82-83 ▲ 83 ▲ 80-83 ▲ 80-83 ▲ 84-86 ▲ 90-93 ▲ 86-87 ▲ 96-97 ▲ 88-97 ▲ 90-93 ▲ 93-05 ▲ 85-87 ▲ 09-10 ▲ 06-11 ▲ 07-11 ▲ 87-95 ▲ 93-96 ▲ 90-91 ▲ 93-96 ▲ 89-90 ▲ | CK4435 CT016 ▲ | KX 250 J1/J2/K1-K5/L1-L4/M1/M2/R1/R6F/R7F KL 650 E8F/E9F/EAF/EBF (KLR 650) KLR 650 (KL 650 A10-A19/A6F/A7F) W 650 (EJ 650 A2/A3/A4) VN 700 A1 'Vulcan' VN 750 A2-A21/A6F 'Vulcan' ZX 750 F1/F2/F3/F4 Ninja ZX 750 L1/L2/L3 (ZX7) ZX 750 J1/J2 ZX 750 P1-P8 (ZX7R) ZX 750 N1/N2 (ZX7RR) ZX 750 K1/K2 ZX 750 M1/M2 (ZX7R) KZ 750 G1 (Ltd) KZ 750 M1 (CSR) VN 800 A1-A11/B1-B10 VN 800 C1/C2/E1-E5/E6F Drifter VN 900 B6F/B7F/B8F/B9F/BAF/BBFA VN 900 D6F/D7F/D8F/D9F/DAF/DBF VN 900 Custom C7F/C8F/C9F/CAF/CBF ZX 900 A1/A2/A3 'Ninja' ZX-9R B1/B2/B3/B4 Ninja SUZUKI RM 250 T/V/W/X/Y/K1/K2 | 92-07 ▲ 08-11 ▲ 96-07 ▲ 00-02 ▲ 85 ▲ 86-06 ▲ 87-90 ▲ 93-95 ▲ 91-92 ▲ 96-03 ▲ 96-99 ▲ 91-92 ▲ 93-94 ▲ 80 ▲ 82 ▲ 95-05 ▲ 99-06 ▲ 06-11 ▲ 06-11 ▲ 07-11 ▲ 84-86 ▲ 94-97 ▲ 96-02 ▲ |
| CK4425 CT004 ▲ | KX 125 K1/K2/K3/K4/K5/L1-L4/M1-M3 KLT 200 A1/A2/A3/A4/A4A KLT 200 B1/C1/C2 KL 250 A1/A1A/A2 KL 250 A3/A4/A5 KL 250 C1/C2 KLT 250 A1/A2/C1/C2/C3/P1 KZ 250 D1 (Ltd) KZ 250 D2/L1 (CSR) KZ 250 W1 (Ltd) KLX 250 A1/A2 KSF 250 A1-A18 Mojave S3/S3-A (400cc) HI 500 Mach III KH 500 A8 | 94-05 ▲ 81-83 ▲ 83-84 ▲ 78-79 ▲ 80-82 ▲ 83-84 ▲ 82-85 ▲ 80 ▲ 81-82 ▲ 83 ▲ 79-80 ▲ 87-04 ▲ 74-75 ▲ 69-75 ▲ ▲ | CK4436 | KX 125 A4/A5/A6/A7/B1 KDX 175 A1/A2/A3 S1-A/B/C (250cc) KH 250 A5 S2-A (350cc) S2 (350cc) | 78-82 80-82 73-75 76 72-73 72-73 |
| CK4426 | Use CK4440 | | CK4437 | Use CK4436 | |
| CK4427 | Use CK4440 | | CK4438 | KX 60 A1/A2/B1-B19 KX 65 A1/A2/A3/A4/A5/A6/A6F/A7F /A8F/A9F/AAF/ABF KX 80 C1/C2 KX 80 E1/E2 KDX 80 B2/B3 KDX 80 C1/C2/C3/C4/C5 KLX 110 (KLX 110 A1/A2/A3/A4/A6F /A7F/A8F/A9F/CAF/DAF/CBF/DBF) SUZUKI RM 60 K3 RM 65 K3/K4/K5 RM 100 K3/K4 DR-Z 110 K3/K4/K5 | 83-03 |
| CK4428 | Use CK4434 | | | | 00-11 81-82 83-84 82-83 84-88 |
| CK4429 | Use CK4435 | | | | 03 03-05 03-04 03-05 |
| CK4430 | No Fitment | | | | |
| CK4431 | Use CK4457 | | | | |
| CK4432 | Use CK4436 | | | | |
| CK4433 CT006 ▲ | KXT 250 A1 'Tecate' KZ 305 A1/A2/B1 (CSR) EX 305 B1 (GPZ) KZ 305 B2/B3 (Ltd) KDX 250 B2/B3/B4 KX 250 B1/C1 KX 500 A1/A2 | 84 ▲ 81-82 ▲ 83 ▲ 87-88 ▲ 82-84 ▲ 82-83 ▲ 83-84 ▲ | | | |

| Part No. | Make/Model | Year | Part No. | Make/Model | Year | | | | | |
|----------|--|---|--|--|---------|---|--|------------|--|--|
| CK4439 | KAWASAKI Cont.. KDX 250 A1/B1 KE 250 B1/B2/B3 KX 250 A6/A7 KDX 400 A1/A2 KLF 400 B1-B7 Bayou (4 x 4) LT-F 400 K2 Eiger Manual 2WD LT-F 400 K3/4/5/6/7 KDX 420 B1 KX 420 A1/A2 KDX 450 A1 SUZUKI LT-F 400 FK2/FK3/FK4/FK5/FK6/FK7 (Eiger 4WD) LT-F 400 FK8/FK9/FL0 King Quad 400 FS LT-F 400 FCK8/FCK9 King Quad 400 FS Camo LT-F 500 FW/FX/FY/FK1-FK2 ARCTIC CAT 400 (2 x 4 / 4 x 4) 400 (2 x 4) 400 (2 x 4 / 4 x 4) 400 (4 x 4 Manual) Bearcat 454 (4 x 4) Bearcat 454 (2 x 4) 500 (4 x 4) | 80-81 77-79 80-81 79-80 93-98 02 03-08 81 80-81 82 02-07 08-10 08-09 98-02 98-98 03-04 05-08 96-98 97-98 98-02 | KAWASAKI Cont.. ZN 1300 A1-A6 'Voyager' VN 1500 A1-A12 Vulcan 88 VN 1500 B1-B4/C3/C4/D1/D2/E1-E7 All Vulcan 88 SE VN 1500 G1/G1A/G2A/G3 Nomad VN 1500 Classic Fi (VN 1500 N1/N2/N3) VN 1500 J1/J2/R1-R5 Drifter VN 1500 P1/P2 'Vulcan Mean Streak' VN 1500 L2/L3/L4/L5/L6 Nomad Fi VN 1500 N4/N6F/N7F/N7FA/N8F/N8FA VN 1600 A1/A2/A3/A6F/A7F/A7FA/A8F /A8FA Classic VN 1600 B1 Mean Streak VN 1600 B2/B6F/B7F/B7FA/B8F/B8FA Mean Streak VN 1600 D1/D6F/D7F/D7FA/D8F/D8FA Nomad SUZUKI VZ 1600 K4 Marauder VZ 1600 K5 M95 Boulevard/Marauder | 83-88 87-98 ▲ 87-04 ▲ 99-01 ▲ 00-02 ▲ 99-05 ▲ 02-03 ▲ 01-05 ▲ 05-08 ▲ 03-08 ▲ 04 ▲ 05-08 ▲ 05-08 ▲ 04 ▲ 05 ▲ | | | | | | |
| | | | | | CK4455 | CT032 ▲ | CK4456 | Use CK4438 | | |
| | | | | | CK4457 | KDX 200 A1/A2/A3 KX 125 B2/C1 KH 400 A3/A4/A5 | 83-85 83-84 76-78 | CK4458 | KZ 1300 A4 | 82 |
| | | | | | CK4440 | AR 80 A1 KD 80 M1-M8 KD 80 N1/N2/N3 KDX 80 A1/A2 KE 100 A5/A6/A7/A8/A9/A10 KE 100 B1-B20 KM 100 A1/A2/A3/A3A/A4/A6/A7 | 82 80-87 88-90 80-81 76-81 82-01 76-81 | CK4464 | Use CK1119 | |
| | | | | | CK4441 | Use CK4457 | | CK4459 | KXT 250 B1/B2 'Tecate' KX 250 D1/D2 KX 500 B1/B2 | 86-87 85-86 85-86 |
| | | | | | CK4442 | AR 50 A1 | 82 | CK4460 | Use CK4419 | |
| | | | | | CK4443 | ZX 750 E1/E2 (GPZ Turbo) | 84-85 ▲ | CK4461 | Use CK4439 | |
| | | | | | CT019 ▲ | | | CK4462 | No Fitment | |
| | | | | | CK4444 | Use CK4435 | | CK4463 | KLT 110 A1/A2/A3 KLF 110 A1/A2/B1/B2 'Mojave' | 84-86 87-88 |
| | | | | | CK4445 | Use CK4438 | | CK4464 | Use CK1119 | |
| | | | | | CK4446 | KLR 250 (KL 250 D2-D22) | 85-05 ▲ | CK4465 | KXT 250 A2 Tecate KX 250 C2 | 85 ▲ 84 ▲ |
| | | | | | CT004 ▲ | | | CK4466 | Use CK4459 | |
| | | | | | CK4447 | Use CK4425 | | CK4467 | N/A | |
| | | | | | CK4448 | Use CK4459 | | CK4468 | KX 80 E3/G1/G2/J2 | 85-87 |
| | | | | | CK4449 | Use CK4433 | | CK4469 | KX 125 D1/E1/E2 KDX 200 C1/C2/C3 KL 250 G4/G5/G6/G7/G8 "Super Sherpa" KLX 250 D2/D3/D4 KLX 250 S (KLX 250 H6F/H7F) KLX 250 S (KLX 250 T9F/TAF) KLX 250 SF (KLX 250 W9F/TAF) Supermotard KLX 300 R A2-A10/A6F/A7F | 85-87 86-88 00-04 93-95 06-07 09-10 09-10 97-07 |
| | | | | | CK4450 | Use CK4459 | | CK4470 | Use CK4475 | |
| | | | | | CK4451 | Use CK4434 | | CK4471 | Use CK4435 | |
| CK4452 | KZ 1300 B2 'Touring' KZ 1300 A1/A2/A3 | 80 79-81 | CK4472 | Use CK4435 | | | | | | |
| CK4453 | KX 80 W1/W2/W3 KX 85 A1-A5/A6F/A7F/A8F/A9F/AAF/ABF KX 100 C1/C2/C3/D1/D2/D3/D4/D5/D6F /D7F/D8F/D9F/DBF | 98-00 ▲ 01-11 ▲ 98-09/11 ▲ | | | | | | | | |
| CT002 ▲ | | | | | | | | | | |
| CK4454 | Use CK4465 | | | | | | | | | |

| Part No. | Make/Model | Year | Part No. | Make/Model | Year |
|-------------------|---|--|--------------------|---|---|
| CK4473 CT016 ▲ | KAWASAKI Cont.. EL 250 B2/B3 Eliminator EL 250 E1/E2/E3/E4 (250 HS) EX 250 E1/E2 Ninja EX 250 F2-F19/D6F/D7F Ninja | 88-89 ▲ 91-95 ▲ 86-87 ▲ 88-07 ▲ | CK4510 CT004 ▲ | KAWASAKI Cont.. ZX9R (ZX 900 C1/C2/E1/E2/F1/F2) Z 1000 (ZR 1000 A1/A2/A3) Z 1000 (ZR 1000 A6F) Z 1000 (ZR 1000 C7F) Z 1000 (ZR 1000 DAF/DBF) ZR 1000 B7F/B8F (Z1000) ZX 1000 C1/C2/D6F/D7F/E8F/E9F/FAF (ZX10R) SUZUKI GSXR 1000 K1/K2/K3/K4/ZK4 | 98-03 ▲ 03-05 ▲ 06 ▲ 07 ▲ 10-11 07-08 ▲ 04-10 ▲ 01-04 ▲ |
| CK4474 | Use CK4424 | | CK4511 | BN 125 A4-A8/A6F/A7F/A9F | 01-09 |
| CK4475 | KX 250 E1/F1/G1/H1/H2 KX 500 C1/D1/E1-E16 KXF 250 A1/A2 Tecate 4 KDX 250 D1/D2/D3/D4 | 87-91 87-04 87-88 91-94 | CK4513 CT009 ▲ | ZX12R (ZX 1200 A1) | 00 ▲ |
| CK4476 | Use CK4479 | | CK4514 CT004 ▲ | KX 250 N1/N2/T6F/T7F/T8F/W9F/XAFB/YBF ZX6RR (ZX 600 M1/N1/N6F) ZX6R (ZX 600 P7F/P8F/R9F/RAF/RBF) ZX 636 C1/C6F SUZUKI RM 125 K2/K3/K4/K5/K6/K7/K8 RMZ 250 K4/K5/K6/K7/K8/K9/L0/L1 | 04-11 ▲ 04-06 ▲ 07-11 ▲ 05-06 ▲ 02-08 ● 04-11 ▲ |
| CK4477 | KX 80 L1 | 88 | CT003 ● CT004 ▲ | | |
| CK4478 | KX 80 L2/N2/L3/N3/R1/R2 /R3/R4/R5/R6/R7 KX 100 B5/B6/B7 | 89-97 95-97 | CK4515 CT009 ▲ | ZX12R (ZX 1200 A2/B1/B2/B3/B4) | 01-05 ▲ |
| CK4479 | Use CK4482 | | CK4516 CT032 ▲ | VN 1700 G9F/GAF Vulcan 1700 Classic LT VN 1700 A9FA/AAF/ABF Vulcan 1700 Voyager VN 1700 B9FA/BAF/BBF Vulcan 1700 Voyager ABS VN 1700 C9F/CAF/CBF Vulcan 1700 Nomad VN 1700 C9FA Vulcan 1700 Nomad 2T VN 1700 E9F/EAF/EBF Vulcan 1700 Classic VN 2000 A1/A2/A6F/A7F/G8F/G9F Vulcan VN 2000 D1/D6F/G8F Vulcan Ltd VN 2000 E6F/E7F/H8F/H9F Vulcan Classic VN 2000 F6F/F7F/J8F/J9F/JAF Vulcan Classic LT | 09-10 ▲ 09-11 ▲ 09-11 ▲ 09-11 ▲ 09 ▲ 09-11 ▲ 04-09 ▲ 05-06 ▲ 06-09 ▲ 06-10 ▲ |
| CK4481 | Use CK1180 | | CK4518 CT021 ▲ | ZX14 Ninja (ZX 1400 A6F/A7F/C8F/C9F/CAF/CBF) | 06-11 ▲ |
| CK4482 | KX 125 KDX 200 E1-E6 | 88-89 89-94 | CK4519 CT006 ▲ | KFX 450 R (KSF 450 B8F/B9F/BAF/BBF) | 08-11 ▲ |
| CK4484 | No Fitment | | CK4520 CT021 ▲ | Concours 14 (ZG 1400 B8F/B9F/DAF) Concours 14 ABS (ZG 1400 A8F/A9F/CAF/CBF) | 08-11 ▲ 08-11 ▲ |
| CK4485 | KX 125 H1/H2/J1 | 90-92 | CK4521 | EX 250 J8F/J9F/JAF/JBF Ninja 250 R | 08-11 |
| CK4487 | Use CK4424 | | CK4522 | KLX 140 A8F/A9F/AAF/ABF (KLX 140) KLX 140 B8F/B9F/BAF/BBF (KLX 140 L) | 08-11 08-11 |
| CK4488 CT021 ▲ | ZX 1100 C1-C4/D1-D9 (ZX11) ZX 1100 E1/E2/E3/F1 'GPZ 1100' ZX 1200 C1/C2/C3/C4 (ZZR 1200) | 90-01 ▲ 95-97 ▲ 02-04 ▲ | CK4523 CT004 ▲ | H2-B Mach IV (2T) H2-C Mach IV (2T) | 74- ▲ 75 ▲ |
| CK4490 | Use CK4446 | | CK5544 | HONDA Honda Centrifugal (one way) Clutch segments (Kits of 3) | Various |
| CK4491 | Use CK4485 | | | | |
| CK4492 | Use CK4435 | | | | |
| CK4493 CT019 ▲ | ZR 750 C1/C2/C3/C4 Zephyr ZR 750 F2 (ZR-7) ZR 750 H1/H2/H3/H4/H5 (ZR-7S) | 91-93 ▲ 00 ▲ 01-05 ▲ | | | |
| CK4494 | Use CK4435 | | | | |
| CK4495 | Use CK4439 | | | | |
| CK4496 | Use CK4424 | | | | |
| CK4497 | Use CK4434 | | | | |
| CK4498 | KX 125 J2 | 93 | | | |
| CK4499 | Use CK4425 | | | | |
| CK4502 | Use CK4469 | | | | |
| CK4503 CT004 ▲ | ZX6-R (ZX 600 F1-F3/G1/G2/J1/J2/J3) ZX6RR (ZX 600 K1) ZX6R (ZX 636 B1/B2) ZZR 600 J6F/J7F/J8F Z 750 S (ZR 750 K1/K6F) | 95-02 ▲ 03 ▲ 03-04 ▲ 06-08 ▲ 05-06 ▲ | | | |
| CK4505 | KDX 200 H1-H11/H6F KDX 220 R A4-A12/A6F | 95-06 97-06 | | | |
| CK4507 | Use CK4469 | | | | |

| Part No. | Make/Model | Year | Part No. | Make/Model | Year |
|---------------------|---|---|-------------------|--|--|
| CK5588 CT021 ▲ | TRIUMPH Adventurer Daytona 750 (3cyl) Daytona 1000 (4cyl) Daytona 900 (3cyl) Daytona Super III (3cyl) Daytona 1200 (4cyl) Legend TT Speed Triple (Carb model) Sprint (All carb models) Thunderbird Thunderbird Sport Tiger 900cc Trident 900 Trophy 900 (3cyl) Trophy 1200 (4cyl) | 96-01 ▲ 92 ▲ 92 ▲ 93-96 ▲ 94-97 ▲ 93-98 ▲ 98-01 ▲ 94-97 ▲ 93-98 ▲ 95-03 ▲ 98-04 ▲ 93-96 ▲ 92-98 ▲ 92-01 ▲ 92-01 ▲ | CK5602 | 250 EXC-G Racing 250 EXC Racing 400 EXC 400 MXC SX 400 450 EXC-G Racing 450 EXC racing 450 MXC-G Racing 450 SX Racing 520 EXC SX 520 525 EXC Racing 525 EXC-G Racing 525 MXC-G Racing 525 MXC Desert Racing 525 SX Racing | 04 04 00-01 01 00-01 04 04 04 04 00-01 00-01 04 04 04 04 04 04-05 |
| CK5589 CT009 ▲ | T595 Daytona Daytona 955i Speed Triple (EFI) Sprint RS Sprint ST Tiger 900cc Tiger 955cc | 97 ▲ 98-00 ▲ 97-01 ▲ 99-01 ▲ 99-01 ▲ 97-98 ▲ 99-06 ▲ | CK5605 | BMW F 650/93 K60/0161 F 650/93 K60/0161 F 650/97 K60/0162 F 650 ST K60/0163 | 93-06/94 07/94-96 96-03 96-00 |
| CK5594 CT027 ▲ | SX 60 SX 65 XC 65 | 98-00 ▲ 98-11 ▲ 08-10 ▲ | CK5608 | Bonneville America Speedmaster 800 Scrambler (865cc) Thrupton 900 Bonneville T100 | 02-08 03-09 06-09 04-09 05-09 |
| CK5595 CT007 ▲ | 250 EGS 250 EXC SX 250 250 MXC 250 SXS XC 250 XC-W 250 300 E-GS 300 EXC 300 MXC SX 300 300 Six Days XC 300 XC-W 300 360 EXC 360 EGS 360 MXC 360 SX 360 Six Days SX 380 380 MXC 380 EXC RXC-E 400 RXC-E 620 | 94-99 ▲ 94-05 ▲ 94-11 ▲ 98-99 ▲ 01-03 ▲ 06-11 ▲ 06-11 ▲ 94-99 ▲ 94-05 ▲ 94-05 ▲ 94 ▲ 96 ▲ 06-11 ▲ 06-11 ▲ 96-97 ▲ 96-97 ▲ 96-97 ▲ 96-97 ▲ 96 ▲ 98-02 ▲ 98-01 ▲ 98-02 ▲ 95 ▲ 95 ▲ | CK5610 CT028 ▲ | 85 SX 85 XC 105 SX XC 105 | 03-11 ▲ 08-11 ▲ 04-11 ▲ 08 ▲ |
| | | | CK5611 CT001 ▲ | SX 125 125 EXC 125 EXE 125 EGS 125 Supermoto 125 SXS SX 150 XC 150 SX 200 200 EGS 200 EXC 200 MXC XC-W 200 XC 200 | 98-10 ▲ 98-05 ▲ 00-01 ▲ 98-99 ▲ 00-01 ▲ 01-02 ▲ 08-10 ▲ 10 ▲ 03 ▲ 98-99 ▲ 97-05 ▲ 98-03 ▲ 07-10 ▲ 06-09 ▲ |
| CK5597 CT009SP ■ | Bonneville 800 Bonneville T-100 | 01-06 ■ 02-04 ■ | CK5612 CT023 ▲ | 250 EXC Racing 250 EXC-G Racing SX-F 350 400 SX Racing 400 EXC 400 EXC Racing 400 EXC-G Racing 400 MXC 450 EXC-G Racing 450 EXC Racing 450 EXC 450 LXC-G Racing 450 MXC-G Racing 450 SX Racing MXC 450 SMR 450 SMR 450 450 SMS SX 450 XC 450 (Quad) 520 SX Racing 525 EXC 525 EXC Racing 525 EXC G Racing | 02-03/05 ▲ 03 ▲ 11 ▲ 02 ▲ 07 ▲ 02/05 ▲ 02/05-06 ▲ 02 ▲ 03 ▲ 03/05 ▲ 06-07 ▲ 05 ▲ 03/05 ▲ 03/05 ▲ 06 ▲ 04-05 ▲ 06 ▲ 04 ▲ 06 ▲ 08-09 ▲ 02 ▲ 03 ▲ 05 ▲ 03/05 ▲ |
| CK5599 CT009 ▲ | Daytona 955i Speedtriple 955cc Sprint RS Sprint ST Speedtriple (1050cc) Tiger (1050cc) | 01-06 ▲ 02-04 ▲ 02-04 ▲ 02-09 ▲ 05-09 ▲ 07-09 ▲ | | | |

All part numbers, prefixes and suffixes shown in this catalog are unique and form a registered copyright as the property of EBC Brakes and its UK trademark owners

| Part No. | Make/Model | Year | Part No. | Make/Model | Year |
|-----------------------------|---|--|-------------------|---|--|
| CK5612 CT023 ▲ Contd. | 525 MXC Desert Racing MXC 525 SX 525 525 SX Racing 525 SMR XC 525 (Quad) 540 SXS Racing SMR 560 | 03/05 ▲ 06 ▲ 06 ▲ 03 ▲ 04-05 ▲ 08-10 ▲ 02 ▲ 06 ▲ | CK5635 | BMW F 650 Dakar/M K78/0176 F 650 GS/M K78/0175 F 650 CS/M Scarver K14/0177 | 03-05 03-07 03-06 |
| CK5619 | 660 SM Factory Replica 660 SMC 660 SMS | 02-03 03-04 04 | CK5636 | BMW F 650 Dakar K78/0173 F 650 GS K78/0172 F 650 CS Scarver K14/0174 | 99-03 99-03 00-03 |
| CK5624 CT021 ▲ | Rocket III (All models) | 04-09 ▲ | CK5638 CT009 ▲ | XC-W 450 SX-F 450 SX 450 (Quad) XC-F 450 SX-F 505 SX 505 (Quad) XC-F 505 | 08-09 ▲ 07-10 ▲ 09-10 ▲ 08-09 ▲ 07-08 ▲ 09-10 ▲ 08-09 ▲ |
| CK5631 CT031 ▲ | KTM 350 EXC 350 Super Comp 380 EGS 400 Duke 400 EGS 400 EGS 400 EGS-E 400 EXC 400 EXC 400 Super Comp 400 Super Comp/EXC 400 LSE 400 LC-4 400 LS-E 400 RXC-E 400 SX-C 400 SX SXC 400 400 SXC 400 LC4-E LC4 R 400 400 TXC 620 Duke 620 Duke 620 Super Comp 620 EXC 620 EGS 620 EGS/Adventure 620 EGS-E 620 LSE 620 Enduro Ltd 620 LC-4 620 RXC-E SXC 620 620 Six Days 640 LC Rallye Dakar 660 LC4 | 94 ▲ 94-95 ▲ 98-99 ▲ 94-95 ▲ 94 ▲ 96-97 ▲ 97 ▲ 94 ▲ 96 ▲ 95 ▲ 96-99 ▲ 97 ▲ 98 ▲ 04 ▲ 96-97 ▲ 98 ▲ 99 ▲ 97 ▲ 00 ▲ 00-01 ▲ 99 ▲ 98 ▲ 94 ▲ 97 ▲ 94-95 ▲ 94-95 ▲ 94-95 ▲ 96-97 ▲ 97 ▲ 97 ▲ 98 ▲ 96-97 ▲ 97 ▲ 96 ▲ 97 ▲ 97 ▲ | CK5639 CT031 ▲ | 540 SXC 620 LC4 Competition 620 LC4 Supermoto 620 Super Comp SX 620 620 Super Comp 620 SC 620 Supermoto 620 TXC 625 SMC 625 SC 625 SXC 640 Adventure-R 640 Duke-E 640 Duke II 640 LC4 640 LC4-E 640 LC4 Adventure 640 LC4 Supermoto 640 LC4 Six Days 660 LC4 Rallye 660 SMC 660 SMS 660 SM Factory Replica | 98-99 99 ▲ 99 ▲ 96-99 ▲ 97-99 ▲ 96-99 ▲ 00-01 ▲ 98 ▲ 98 ▲ 04/06 ▲ 02 ▲ 03-04 ▲ 98-02 ▲ 98 ▲ 99-04 ▲ 99-00 ▲ 00-02 ▲ 05-06 ▲ 03-04 ▲ 99 ▲ 99-00 ▲ 03-04 ▲ 04 ▲ 02-03 ▲ |
| CK5632 | 400 RXC-E 620 RXC-E | 95 95 | CK5641 CT031 ▲ | 690 Rally Factory Rep | 07-08 ▲ |
| CK5633 CT031 ▲ | 660 Rallye 660 Rallye Factory | 01-03 ▲ 04 ▲ | CK5642 | 690 Duke 690 Enduro 690 Enduro R 690 Supermoto 690 SMR 690 SMC 990 Superduke | 08-11 08 10-11 07-08 07-09 08-11 05-11 |
| CK5634 CT015 ▲ | 950 Adventure 990 Superduke 990 Adventure 990 Adventure S 990 Superduke R 990 SM-R 990 SM-T | 03-04/06 ▲ 06-09 ▲ 07-11 ▲ 07-09 ▲ 07-11 ▲ 09-11 ▲ 09-11 ▲ | CK5643 | EC 200/250/300 (All models/2T) | 10-11 |
| | | | CK5644 CT021 ▲ | 1190 R (RC8) | 09 |
| | | | CK5648 | XC-W 400 XCR-W 450 EXC-R 450 EXC 450 XC-W 450 Six Days EXC 530 EXC 530 Champion Edition XC-W 530 Six Days | 10-11 08 08 10-11 10-11 10-11 10 10-11 |
| | | | CK6606 | Discontinued | |
| | | | CK6680 | RSV 1000 R Factory/R | 04-08 |

| Part No. | Make/Model | Year | Part No. | Make/Model | Year |
|----------------------------|--|--|----------------------------|--|---|
| DRC1 CT012SP ■ | CR 80 R/RB Expert CR 85 R/RB | 85-02 ■ 03-07 ■ | DRC26 CT022 ▲ | LT 500 RH/RJ/RK/RL | 87-90 ▲ |
| DRC2 CT001 ▲ | CR 125 R | 86-99 ▲ | DRC27 CT010 ▲ | YZ 80 S/T/U/W/A/B/D | 86-92 ▲ |
| DRC3 CT009 ▲ | CR 250 R CR 480 R CR 500 R | 83-89 ▲ 83 ▲ 84-89 ▲ | DRC28 DRC29 | YZ 125 S/T YZ 125 U | 86-87 88 |
| DRC4 | TRX 200 SX Fourtrax TRX 200 Fourtrax TRX 200 D Type II Fourtrax TRX 250 EX (Sportrax 250 EX) TRX 250 TE/TEA Recon ES TRX 250 TM/TMA Recon TRX 250 X | 86-88 90-91 91-97 01-08 97-09/11 97-09/11 08-09/11 | DRC30 | YZ 125 W/A | 89-90 |
| DRC5 | ATC 250 R TRX 250 R Fourtrax | 86 86-87 | DRC31 | YZ 250 U/W/A/B/D | 88-92 |
| DRC6 | TRX 300 All models (2wd & 4wd) Fourtrax TRX 350 All models TRX 400 FW Fourtrax Foreman TRX 400 FM Fourtrax Foreman TRX 450 ES TRX 450 S TRX 450 FE TRX 450 FM | 88-00 86-89 95-01/03 02 98-01 98-01 02-04 02-04 | DRC32 CT008 ▲ | YTZ 250 N/S IT 250 K IT 490 K/L YZ 490 J/K/L/N/S/T/U/W WR 500 ZD/ZE | 85-86 ▲ 83 ▲ 83-84 ▲ 82-89 ▲ 92-93 ▲ |
| DRC7 | KX 60 B1-B19 RM 60 K3 | 85-03 03 | DRC33 DRCF33 CT008 ▲ | YFM 350 ERT/ERU/ERW/ERA/ERD /ERE/ERF YFM 350 FWT/FWU/FWW/FWA/ FWB/FWD/FWE (Big Bear) YFM 350 XT/XU/XW/XA/XB/XD/XE/XF /XG/XH/XJ/XK/XL/XM/XN/XP/XR /XS (Warrior) YFM 350 RS/RT/RV/RW/RX/RY/RZ/RA Raptor | 87-94 ▲ 87-93 ▲ 87-04 ▲ 04-11 ▲ |
| DRC8 | KX 80 E3/G1/G2/J2 | 85-87 | DRC35 CT008 ▲ | YZ 250 N/S/T | 85-87 ▲ |
| DRC9 | KX 80 L1 | 88 | DRC36 | KX 125 H1/H2 | 90-91 |
| DRC10 | KX 80 L2/L3/N2/N3 KX 80 R1-R7 KX 100 B5/B6/B7 | 89-90 91-97 95-97 | DRC38 CT006 ▲ | KXT 250 B1/B2 Tecate | 86-87 ▲ |
| DRC11 | KX 125 D1/E1/E2 | 85-87 | DRC39 CT005 ▲ | YZ 125 B/D WR 250 RX/RY/RZ/RA WR 250 XX/XY/RZ/RA Supermotard | 91-92 ▲ 08-11 ▲ 08-11 ▲ |
| DRC13 | KX 125 F1/G1 | 88-89 | DRC40 CT022 ▲ | RM 250 M | 91 ▲ |
| DRC15 CT006 ▲ | KX 250 G1 KX 500 E1-E16 | 89 ▲ 89-04 ▲ | DRC41 CT006 ▲ | KDX 250 D1/D2/D3/D4 KX 250 H2 | 91-94 ▲ 91 ▲ |
| DRC16 CT006 ▲ | KX 500 C1/D1 | 87-88 ▲ | DRC42 DRCF42 CT010 ▲ | YFS 200 U/W/A/B/D/E/F/G/H/J/K/L /M/N/P/R/S/T/V Blaster WR 200 D | 88-06 ▲ 92 ▲ |
| DRC17 CT006 ▲ | KX 250 H1 | 90 ▲ | DRC43 DRCF43 CT008 ▲ | YFZ 350 T/U/W/A/B/D/E/F/G/H/J/K/L /M/N/P/R/S/T/V (Banshee) | 87-06 ▲ |
| DRC19 | RM 80 H/J | 87-88 | DRC44 DRCF44 | ATC 250 SX TRX 250 X Fourtrax XR 250 R XR 250 L TRX 300 EX Fourtrax/Sportrax TRX 300 X XR 350 R | 85-87 87-88/91-92 86-95 91-96 93-08 09-11 83-85 |
| DRC20 CT011 ▲ | RM 80 K/L | 89-90 ▲ | DRC45 DRCF45 | KX 80 W1/W2/W3 KX 85 A1/A2/A3/A4/A5/A6F/A7F/A8F /A9F/AAF/ABF KX 100 C1/C2/C3/D1-D5/D6F/D7F /D8F/D9F/DBF | 98-00 01-11 98-09/11 |
| DRC21 CT011 ▲ | RM 125 G/H | 86-87 ▲ | DRC46 DRCF46 CT016 ▲ | KX 250 J1/J2/K1-K5/L1-L4/M1/M2/R1 /R6F/R7F | 92-07 ▲ |
| DRC22 CT011 ▲ | RM 125 J/K/L/M | 88-91 ▲ | DRC48 CT022 ▲ | RM 250 M/N/P | 91-93 ▲ |
| DRC23 | LT 250 RH/RJ/RK/RL/RM/RN | 87-92 | | | |
| DRC24 CT022 ▲ | RM 250 J/K/L | 88-90 ▲ | | | |
| DRC25 DRCF25 CT011 ▲ | RM 80 M/N/P/R/S/T/V/W/X/Y/K1 RM 85 K2/K3/LK3/K4/LK4/K5/LK5/LK6 /K6/LK7/K7/K8/LK8/K9/LK9/L0/L00 | 91-01 ▲ 02-11 ▲ | | | |

All part numbers, prefixes and suffixes shown in this catalog are unique and form a registered copyright as the property of EBC Brakes and its UK trademark owners

| Part No. | Make/Model | Year | Part No. | Make/Model | Year |
|------------------------------|---|--|----------------------------|--|---|
| DRC49 DRCF49 CT012SP ■ | CRF 100 F XR 100 R | 04-09 ■ 87-03 ■ | DRC72 CT022 ▲ | RM 250 R/S RMX 250 R/S/T/V/W/X/Y | 94-95 ▲ 94-00 ▲ |
| DRC50 CT012SP ■ | NX 125 | 88-90 ■ | DRC73 CT004 ▲ | KX 125 K1/K2/K3/K4/K5/L1-L4 | 94-02 ▲ |
| DRC51 | NX 250 | 88-90 | DRC74 | KDX 200 C1/C2/C3 | 86-88 |
| DRC52 | RM 250 H | 87 | DRC75 CT009 ▲ | CR 250 R CR 500 R CR 500 R | 90-93 ▲ 90-94 ▲ 95-01 ▲ |
| DRC53 | XL 600 V | 89-90 | DRC76S CT003 | RM 125 P/R/S/T/V/W | 93-98 |
| DRC54 DRCF54 CT009 ▲ | XR 600 R NX 650 XR 650 L | 85-00 ▲ 88-89 ▲ 93-11 ▲ | DRC78 CT010 ▲ | YZ 80 G/H/J/K/L/M/N | 95-01 ▲ |
| DRC55 | BW 200 N/S/ES/ET/EU | 85-88 | DRC79 DRCF79 CT009 ▲ | CR 250 R | 94-07 ▲ |
| DRC56 CT008 ▲ | XT 350 N/NC/S/SC/C/AC/B/BCT/TC/U /UC/W/WC/D/DC/E/EC/F/FC/G/GC/H /HC/J/JC/K/KC/L/M/MC TT 350 S/T | 85-00 ▲ 86-87 ▲ | DRC80 CT016 ▲ | RM 250 T | 96 ▲ |
| DRC57 CT008 ▲ | TT 600 K/L/N/S XT 600 L/LC/N/NC/S/SC/T/TC/U/UC/W/WC | 83-86 ▲ 84-89 ▲ | DRC81 | TRX 250 R Fourtrax | 88-89 |
| DRC58 DRCF58 CT022 ▲ | DR 250 L/M/N/P DR 250 SL/SM/SN/SEP/SER/SES DR 350 L/M/N/P/R/S/T/V/W DR 350 SL/SM/SN/SP/SER/SES/SET /SEV/SEW/SEX | 90-93 ▲ 90-95 ▲ 90-98 ▲ 90-99 ▲ | DRC82 CT008 ▲ | YFM 350 ERG YFM 350 FWF/FWG/FWH/FWJ /FWBK(Big Bear) YFM 350 UH/UJ/UK/UL/ULC YFM 400 FWE/WWF/FWG/FWH/FWJ /FWK/FWL Kodiak YFM 400 FWR (4x4) Big Bear | 95 ▲ 94-98 ▲ 96-99 ▲ 93-99 ▲ 03 ▲ |
| DRC59 CT009SP ■ | DR 650 SL/SM/SN/SP | 90-95 ■ | DRC83 | KX 125 J1 | 92 |
| DRC60 | XR 200 R XL 250 R XR 250 R | 84-85 84-87 84-85 | DRC84 | XR 250 R | 96-04 |
| DRC61 | KDX 200 E1-E6 | 89-94 | DRC85 CT005 ▲ | YZ 125 H YZ 125 P/R/S | 96 ▲ 02-04 ▲ |
| DRC62 | KDX 200 H1-H11/H6F KDX 220 R A4-A12/A6F | 95-06 97-06 | DRC86 | USE DRC58 | |
| DRC63 | KLR 250 (KL 250) D2 to D22 | 85-05 | DRC87 CT024 ▲ | DR 650 SET/SEV/SEW/SEX/SEY/SEK1 /SEK2/SEK3/SEK4/SEK5/SEK6 /SEK7/SEK8/SEK9/SEL1 | 96-11 ▲ |
| DRC64 CT016 ▲ | KLR 600 (KL 600 A1/B1/B2) | 84-86 ▲ | DRC88 DRCF88 CT008 ▲ | YFM 660 RN/RP/RPB/RR/RS/RT Raptor XT 600 EA/EAC/EB/EBC/ED/EDC/EE /EEC/EF/EFC/EG/EGC | 01-05 ▲ 90-95 ▲ |
| DRC65 CT016 ▲ | KLR 650 (KL 650 A1-A9) KL 650 B2/B3 TENGA! KLX 650 A1/A2/A3/D1(KLX650R) KLX 650 C1/C2/C3/C4 | 87-95 ▲ 90-91 ▲ 93-96 ▲ 93-96 ▲ | DRC89 CT011 ▲ | LT 250 EFF/EFG LT-4WD Quadrunner 4WD H/J/K/L/M/N /P/R/S/T/V LT-F 4WD V/W Quadrunner 4WD (250cc) LT-F 250 J/K/L/M/N/P/R/S/V/W/X/Y/K1 LT-F 250 FX/FY/FK1/FK2 Quadrunner LT 300 EH/EJ/EK Quadrunner 250 (2 x 4 / 4 x 4) 250 (2 x 4 / 4 x 4) | 85-86 ▲ 87-97 ▲ 97-98 ▲ 88-01 ▲ 99-02 ▲ 87-88 ▲ 01-04 ▲ 05 ▲ |
| DRC66 CT010 ▲ | YZ 80 E/F | 93-94 ▲ | DRC91 CT012SP ■ | XR 200 XR 200 R XR 200 R | 80-84 ■ 81-83 ■ 86-02 ■ |
| DRC67 CT013 ▲ | CR 125 R | 83-84 ▲ | DRC92 CT009 ▲ | XL 600 R XL 600 R to 520822 XL 600 R from 5208023 XL 600 R | 83-84 ▲ 85 ▲ 85 ▲ 86-87 ▲ |
| DRC68 CT001 ▲ | CR 125 R | 85 ▲ | DRC93 | ATC 250 R XR 400 R | 85 96 |
| DRC69 | KX 125 J2 | 93 | | | |
| DRC70 DRCF70 CT005 ▲ | YZ 125 E/F/G YZ 125 J/K/L/M/N YZ 125 T/V/W/X/Y/Z/A | 93-95 ▲ 97-01 ▲ 05-11 ▲ | | | |
| DRC71 | YZ 250 E/F/G/H/J/K/L WR 250 ZF/ZG/ZH/ZJ | 93-99 94-97 | | | |
| | | | | | |

| Part No. | Make/Model | Year | Part No. | Make/Model | Year |
|------------------------------|---|---|------------------------------|--|--|
| DRC94 CT011 ▲ | DR 200 G/H/J/SET/SEV/SEW/SEX/SEY /SEK1/SEK2/SEK3/SEK4/SEK5 /SEK6/SEK7/SEK8/SEK9 LT 230 SF/SG/SH/SJ from E/No. 104361 | 86-88/96-09 85-88 ▲ | DRC108 DRCF108 CT007 ▲ | SX 250 250 EGS 250 EXC 250 MXC XC-W 250 XC 250 250 SXS 300 E-GS 300 EXC 300 MXC 300 MXC SX 300 300 Six Days XC 300 XC-W 300 360 EGS 360 EXC 360 MXC 360 SX 360 Six Days 380 EXC 380 MXC SX 380 RXC-E 400 RXC-E 620 | 94-11 ▲ 94-99 ▲ 94-05 ▲ 98-99 ▲ 06-11 ▲ 06-11 ▲ 01-03 ▲ 94-99 ▲ 94-05 ▲ 94-03 ▲ 04-05 ▲ 94 ▲ 96 ▲ 06-11 ▲ 06-11 ▲ 96-97 ▲ 96-97 ▲ 96-97 ▲ 96-97 ▲ 96 ▲ 98-02 ▲ 98-01 ▲ 98-02 ▲ 95 ▲ 95 ▲ |
| DRC95 CT016 ▲ | RM 250 V/W/X/Y/K1/K2 | 97-02 ▲ | | | |
| DRC96 CT011 ▲ | LT 250 SK/SL | 89-90 ▲ | | | |
| DRC97 | YZ 250 M/N | 00-01 | | | |
| DRC98 DRCF98 | KX 65 A1/A2/A3/A4/A5/A6/A6F/A7F/A8F /A9F/AAF/ABF RM 65 K3/K4/K5 RM 100 K3/K4 DR-Z 110 K3/K4/K5 | 00-11 03-05 03-04 03-05 | | | |
| DRC99 CT008 ▲ | YZ 400 FK/FL WR 400 FK/FL/FM | 98-99 ▲ 98-00 ▲ | | | |
| DRC100 DRCF100 | TRX 400 EX Fourtrax/Spportrax TRX 400 X | 99-08 09-11 | | | |
| DRC101 DRCF101 CT001 ▲ | CR 125 R | 00-07 ▲ | DRC109 DRCF109 CT005 ▲ | YZ 250 FN/FP/FR/FS/FT/FV/FW WR 250 FN | 01-07 ▲ 01 ▲ |
| DRC102 CT020 ▲ | YZ 426 FM | 00 ▲ | DRC110 CT020 ▲ | WR 426 FN/FP WR 450 FR/FS | 01-02 ▲ 03-04 ▲ |
| DRC103 CT011 ▲ | LT-F 300 FX/FY/FK1/FK2 King Quad LT-F 4WDX/M/N/P/R/S/T/V/W 300 King Quad 250 (2 x 4) 300 (2 x 4 / 4 x 4) 300 (4 x 4) | 99-02 ▲ 91-97 ▲ 99-00 ▲ 98-04 ▲ 05 ▲ | DRC111 DRCF111 CT010 ▲ | YZ 85 P/R/S/T/V/W/X/Y/Z/A | 02-11 ▲ |
| DRC104 CT010 ▲ | YTM 225 DXK/DXL/ DXN YFM 225 S/T/U/W (Moto 4) YBF 250 D/E Timberwolf YFB 250 F/G/H/UH/J/UJ/UK Timberwolf YFB 250 FWF/FWG/FWH/FWJ/FWK /FWL/FWM Timberwolf YFM 250 W/A/B YFM 250 Bear Tracker L/LC/M/MC/XN /XHN/XP/XHP/XR/XHR/XS YFM 250 BT/BV Bruin YFM 250 BW/BX/BY Big Bear YFUIW/YFUITW Pro Hauler | 83-85 ▲ 86-89 ▲ 92-93 ▲ 94-98 ▲ 94-00 ▲ 89-91 ▲ 99-03 ▲ 05-06 ▲ 07-09 ▲ 89 ▲ | DRC112 CT009 ▲ | CRF 450 R | 02-03 ▲ |
| | | | DRC113 DRCF113 | YZ 250 P/R/S/T/V/W/X/Y/Z/A (2T) | 02-11 |
| | | | DRC114 CT003 | RM 125 N | 92 |
| | | | DRC115 CT003 | RM 125 X/Y/K1 | 99-01 |
| | | | DRC116 CT020 ▲ | YZ 426 FN/FP | 01-02 ▲ |
| DRC105 DRCF105 CT006 ▲ | KSF 400 A1/A2 (KFX 400) LT-Z 400 K3/K4 QuadSport 400 DVX KLX 400 R (KLX 400 B1/B2) KLX 400 SR (KLX 400 A1/A2) DR-Z 400 SY/SK1/SK2/SK3/SK4/SK5 /SK6/SK7/SK8/SK9/SL1 DR-Z 400 EY/Y/EK1/K1/EK2/K2/K3/EK3 /K4/EK4/EK5/EK6/EK7 DR-Z 400 SMK5/SMK6/SMK7/SMK8/SMK9 | 03-04 ▲ 03-04 ▲ 04-06 ▲ 03-04 ▲ 03-04 ▲ 00-11 ▲ 00-07 ▲ 05-10 ▲ | DRC117 | 250 EXC Racing 250 EXC-G Racing 400 EXC 400 MXC SX 400 450 EXC Racing 450 EXC-G Racing 450 MXC-G Racing 450 SX Racing 520 EXC SX 520 525 EXC Racing 525 EXC-G Racing 525 MXC Desert Racing 525 MXC-G Racing 525 SX Racing | 04 04 00-01 01 00-01 04 04 04 04 04 00-01 00-01 04 04 04 04 04 |
| DRC106 | XR 400 R | 97-04 | | | |
| DRC107 DRCF107 CT027 ▲ | SX 60 SX 65 XC 65 | 98-00 ▲ 98-08 ▲ 08 ▲ | | | |
| | | | DRC119 CT005 ▲ | WR 250 FP/FR/FS/FT/FV/FW/FX/FY/FZ/FA | 02-11 ▲ |
| | | | | | |

All part numbers, prefixes and suffixes shown in this catalog are unique and form a registered copyright as the property of EBC Brakes and its UK trademark owners

| Part No. | Make/Model | Year | Part No. | Make/Model | Year |
|------------------------------|---|--|------------------------------|---|---|
| DRC120 CT006 ▲ | LT-F 400 FK2/FK3/FK4/FK5/FK6 /FK7(Eiger 4WD) LT-F 400 K3/4/5/6/7 LT-F 400 FK8/FK9 King Quad 400 FS LT-F 400 FCK8/FCK9 King Quad 400 FS Camo 400 (2 x 4 / 4 x 4) 400 (4 x 4 Manual) | 02-07 ▲ 03-08 ▲ 08-10 ▲ 08-09 ▲ 03-04 ▲ 05-08 ▲ | DRC154 CT023 ▲ | 250 EXC Racing 400 EXC Racing 400 EXC-G Racing 450 EXC Racing 450 LXC-G Racing 450 MXC-G Racing 450 SMR 450 SX Racing 525 EXC Racing 525 EXC-G Racing 525 MXC Desert Racing 525 SMR 525 SX Racing | 05 ▲ 05 ▲ 05 ▲ 05 ▲ 05 ▲ 05 ▲ 04-05 ▲ 05 ▲ 05 ▲ 05 ▲ 05 ▲ 04-05 ▲ 05 ▲ |
| DRC121 CT020 ▲ | YZ 450 FR/FS | 03-04 ▲ | | | |
| DRC122 CT004 ▲ | KX 125 M1/M2/M3 | 03-05 ▲ | | | |
| DRC123 DRCF123 CT004 ▲ | KX 250 N1/N2 (KX 250 F) KX 250 F (T6F/T7F/T8F/W9F/XAFB/YFB) RM-Z 250 K4/K5/K6 | 04-05 ▲ 06-11 ▲ 04-06 ▲ | DRC155 DRCF155 | RM-Z 450 K5/K6/K7/K8/K9/L0/L1/ZL0 | 05-11 |
| DRC126 | TRX 350 TM/FM | 00-05 | DRC158 DRCF158 CT006 ▲ | KLX 450 R (A8F/A9F/AAF/ABF) KX 450 F (D6F/D7F/D8F/D9F/EAF/EBF) | 08-11 ▲ 06-11 ▲ |
| DRC127 | TRX 350 TE/FE | 00-05 | DRC159 DRCF159 | YFZ 450 S/T/V | 04-06 |
| DRC128 DRCF128 | YFM 700 RV/RW/RX/RV/RA Raptor YFM 700 RSEW/RSPX/RSPY/RSPA Special Edition | 06-09/11 07-09/11 | DRC160 CT016 ▲ | RM 250 K6/K7/K8 | 06-08 ▲ |
| DRC129 DRCF129 CT001 ▲ | CRF 250 R | 04-07 ▲ | DRC161 CT016 ▲ | RM 250 K3/K4/K5 | 03-05 ▲ |
| DRC130 DRCF130 CT003 ▲ | RM 125 K2/K3/K4/K5/K6/K7/K8 | 02-08 ▲ | DRC162 CT020 ▲ | YZ 450 FT/FV | 05-06 ▲ |
| DRC131 DRCF131 CT009 ▲ | TRX 450 R/ER | 04-11 | DRC163 DRCF163 CT001 ▲ | SX-F 250 XC-F 250 XC-F-W 250 XC-F-W 250 Six Days | 05-11 ▲ 06-09 ▲ 06-09 ▲ 11 ▲ |
| DRC136 CT002 ▲ | CRF 230 F | 03-11 ▲ | DRC164 | LT-R 450 K6/K7/K8/K9 LT-R 450 ZK8/ZK9 Quadracor SE LT-R 450 ZK8/ZK9 Quadracor Limited Edition | 06-11 08-10 08-09 |
| DRC137 DRCF137 CT006 ▲ | KSF 400 A3/A6F (KFX 400) LT-Z 400 K5/K6/K7/K8/K9/L0 400 DVX | 05-06 ▲ 05-10 ▲ 07-08 ▲ | DRC168 CT016 ▲ | KLR 650 (KL 650 A10-A19/A6F/A7F) KL 650 E8F/E9F/EAF/EBF (KLR 650) | 96-07 ▲ 08-11 ▲ |
| DRC139 CT028 ▲ | SX 85 XC 85 SX 105 XC 105 | 03-11 ▲ 08-11 ▲ 04-11 ▲ 08-09 ▲ | DRC169 CT030 ▲ | 350 EXC 350 Super Comp 400 Duke 400 EGS 400 EXC 400 Super Comp 620 Duke 620 EGS 620 EXC 620 Super Comp | 94 ▲ 94-95 ▲ 94-95 ▲ 94 ▲ 94 ▲ 95 ▲ 94 ▲ 94-95 ▲ 94-95 ▲ 94-95 ▲ |
| DRC142 CT029SP ■ | DR 650 SER/SES | 94-95 ■ | DRC170 CT030 ▲ | 380 EGS 400 EGS 400 EGS-E 400 EXC 400 LC-4 LC4 R 400 400 LC4-E 400 LSE 400 LS-E 400 Super Comp/EXC 400 RXC-E SXC 400 400 SX-C 400 SX 400 SXC 400 TXC 620 Duke 620 EGS-E | 98-99 ▲ 96-97 ▲ 97 ▲ 96 ▲ 98 ▲ 99 ▲ 00-01 ▲ 97 ▲ 04 ▲ 96-99 ▲ 96-97 ▲ 97 ▲ 98 ▲ 99 ▲ 00 ▲ 98 ▲ 97 ▲ 97 ▲ |
| DRC144 CT001 ▲ | SX 150 200 EGS 200 EXC 200 MXC SX 200 XC-W 200 XC 200 XC 250 | 08-11 ▲ 98-99 ▲ 97-05 ▲ 98-03 ▲ 03 ▲ 07-10 ▲ 06-09 ▲ 10 ▲ | | | |
| DRC145 CT001 ▲ | 125 EGS 125 EXC 125 EXE 125 Supermoto SX 125 125 SXS | 98-99 ▲ 98-05 ▲ 00-01 ▲ 00-01 ▲ 98-08 ▲ 01-02 ▲ | | | |
| DRC148 DRCF148 CT009 ▲ | CRF 450 R CRF 450 X | 04-08 ▲ 05-11 ▲ | | | |
| | | | | | |

| Part No. | Make/Model | Year | Part No. | Make/Model | Year |
|-----------------------------|---|--|-------------------------------|--|---|
| DRC170 CT030 ▲ Contd. | 620 EGS/Adventure 620 Enduro Ltd 620 LC-4 620 LSE 620 Six Days 620 RXC-E SXC 620 640 LC Rallye Dakar 660 LC4 | 96-97 ▲ 97 ▲ 98 ▲ 97 ▲ 96 ▲ 96-97 ▲ 97 ▲ 97 ▲ 97 ▲ | DRC182 DRCF182 CT002 ▲ | CRF 150 R/RB | 07-11 ▲ |
| DRC171 CT023 ▲ | XC 450 (Quad) XC 525 (Quad) 250 EXC Racing 250 EXG-G Racing 400 EXC 400 EXC Racing 400 EXC-G Racing 400 EXC-G Racing 400 MXC 400 SX Racing 450 EXC 450 EXC Racing 450 EXC-G Racing MXC 450 450 MXC-G Racing SMR 450 SX 450 450 SX Racing 520 SX Racing 525 EXC-G Racing 525 EXC MXC 525 525 MXC Desert Racing SX 525 525 SX Racing 540 SXS Racing SMR 560 | 08-09 ▲ 08-10 ▲ 02-03 ▲ 03 ▲ 07 ▲ 02 ▲ 02 ▲ 06 ▲ 02 ▲ 02 ▲ 06-07 ▲ 03 ▲ 03 ▲ 06 ▲ 03 ▲ 06 ▲ 06 ▲ 03 ▲ 02 ▲ 03 ▲ 03 ▲ 06 ▲ 06 ▲ 03 ▲ 03 ▲ 06 ▲ 02 ▲ 06 ▲ 03 ▲ 02 ▲ 06 ▲ | DRC184 CT009 ▲ | SX 450 (Quad) SX 505 (Quad) SX-F 450 XC-F 450 SX-F 505 XC-F 505 | 09-10 ▲ 09-10 ▲ 07-09 ▲ 08-09 ▲ 07-08 ▲ 08-09 ▲ |
| DRC172 CT023 ▲ | 450 SMS | 04 ▲ | DRC185 CT006 ▲ | KFX 450 R (KSF 450 B8F/B9F/BAF/BBF) | 08-11 ▲ |
| DRC174 CT001 ▲ | SX 125 | 08 ▲ | DRC189 CT004 ▲ | RM-Z 250 K7/K8/K9 | 07-09 ▲ |
| DRC175 CT030 ▲ | 660 SM Factory Replica 660 SMC 660 SMS | 02-03 ▲ 03-04 ▲ 04 ▲ | DRC194 | WR 450 FT/FV/FW/FX/FY/FZ/FA | 05-11 |
| DRC176 CT030 ▲ | 660 Rallye 660 Rallye Factory | 01-03 ▲ 04 ▲ | DRC195 DRCF195 | YZ 450 FW/FX/FY/FZ/FA | 07-11 |
| DRC177 CT015 ▲ | 950 Adventure S 950 Adventure 950 Superduke 990 Adventure 990 Adventure S 990 Superduke R 990 SM-R 990 SM-T | 03-04 ▲ 06 ▲ 05-11 ▲ 07-11 ▲ 07-09 ▲ 07-11 ▲ 09-11 ▲ 09-11 ▲ | DRC196 CT030 ▲ | 540 SXC 620 LC4 Competition 620 LC4 Super Moto 620 Super Comp SX 620 SX 620 620 SC 620 Supermoto 620 TXC 625 SMC 625 SC 625 SXC 640 Adventure-R 640 Duke-E 640 Duke-II 640 LC4 640 LC4-E 640 LC4 Adventure 640 LC4 Supermoto 640 LC4 Six Days 660 LC4 Rallye | 98-99 ▲ 99 ▲ 99 ▲ 96-99 ▲ 97-99 ▲ 99 ▲ 00-01 ▲ 98 ▲ 98 ▲ 04/06 ▲ 02 ▲ 03-04 ▲ 98-02 ▲ 98 ▲ 99-04 ▲ 99-00 ▲ 00-02 ▲ 03-06 ▲ 03-04 ▲ 99 ▲ 99-00 ▲ |
| DRC178 | 400 RXC-E 620 RXC-E | 95 95 | DRC198 | | |
| DRC179 CT009 ▲ | XR 650 R | 00-07 ▲ | DRC199 CT030 ▲ | 690 Rally Factory Rep | 07-08 ▲ |
| DRC180 CT012SP ■ | CRF 150 F | 03-05 ■ | DRC200 DRCF200 CT005 ▲ | YFM 250 RX/RV/RZ/RA Raptor YFM 250 RSPX Special Edition YFM 250 RSPXC Special Edition Custom | 08-11 ▲ 08 ▲ 08 ▲ |
| DRC181 CT012SP ■ | CRF 150 F | 06-11 ■ | DRC201 DRCF201 | YFZ 450 BBW Bill Balance Edition YFZ 450 SEW/SPX Special Edition YFZ 450 W/X/Y | 07 07-08 07-09 |
| | | | DRC205 | 690 Duke 690 Enduro 690 Enduro R 690 Supermoto 690 SMR (Cast Wheel) 690 SMC | 08-11 08 10-11 07-08 07-08 08-11 |
| | | | DRC206 | EC 125 (All models/2T) | 10-11 |
| | | | DRC207 | EC 200/250/300 (All models/2T) | 10-11 |
| | | | DRC208 CDRCF208 CT001 ▲ | CRF 250 R CRF 250 RB CRF 250 X | 08-09 ▲ 11 ▲ 04-11 ▲ |
| | | | DRC209 | LF 200 GY-S | 05-08 |

| Part No. | Make/Model | Year | Part No. | Make/Model | Year |
|------------------------------|--|--|-------------------|--|--|
| DRC211 | KLX 140 A8F/A9F/AAF/ABF (KLX 140) KLX 140 B8F/B9F/BAF/BBF (KLX 140 L) | 08-11 08-11 | DRC228 CT008 ▲ | YFM 350 FWBL/LC Big Bear YFM 350 FXG/FXH/FXJ/FXK/FXL/FXM /FXN/FXP/FXR/FXS/FXT Wolverine YFM 400 FWNMC/FWNN/FWNHM Big Bear 4WD/Real Tree Xtra YFM 400 NM/NMC/NN/NHN/P/HP Big Bear 2WD YFM 400 S Big Bear 2WD YFM 400 FS/FT Big Bear 4WD YFM 400 FBW/FBX Big Bear 4WD IRS YFM 400 FBHW Big Bear 400 Hunter-IRS YFM 400 FBEW Big Bear 400 IRS Exploring Edition | 99 ▲ 95-05 ▲ 00-01 ▲ 00-03 ▲ 04 04-05 ▲ 07-08 ▲ 07- ▲ 07 ▲ |
| DRC212 | KLX 250 S (KLX 250H6F/H7F) KLX 250 S (KLX 250 T9F/TAF) KLX 250 SF (KLX 250 W9F/TAF) Supermotard KLX 300 R A3-A10/A6F/A7F | 06-07 09-10 09-10 98-07 | DRC229 | TT 225 S/T TT-R 225 L/M/N/P/R/S XT 225 J/JC/K/KC/L/M/MC/N/NC/P/PC /R/RC/S/SC/T/TC/N/VC/W/WC TT-R 230 T/V/W/X/Y/A | 86-87 99-04 92-07 05-09/11 |
| DRC213 CT011 ▲ | LT-F 250 K2 Ozark From frame JSAAJ51A22100697- | 02 ▲ | DRC230 DRCF230 | TT-R 125 M/N/P/R/ER/S/ES/ET/EV /EW/EX/EY TT-R 125 LWM/LN/LP/LER/LR/LES/LS/LET /LT/LEV/LV/LEW/LW/LEX/LX/LEY/LEA | 00-09 00-09/11 |
| DRC214 CT006 ▲ | 400 (2 x 4) 500 (4 x 4) | 98 ▲ 98-02 ▲ | DRC231 | TW 200 T/TC/U/UC/W/WCA/AC/D/DC /E/EC/F/FC/H/HC/J/JC/EK/EKC/L /LC/M/MC/N/NC/P/PC/R/RC/S/SC /T/TC/V/VC/W/WC/X/Y/Z/A Trailway XT 225 D/DC/E/EC/F/FC/G/GC/H/HC | 87-11 92-96 |
| DRC215 CT006 ▲ | 400 (2 x 4 / 4 x 4) 400 (2 x 4 / 4 x 4) | 98- ▲ 00-02 ▲ | DRC232 CT010 ▲ | YTM 200 K/L/N YTM 200 EK/EL/ERN YTM 225 DRN/DRS YFM 200 N YFM 200 DXS/DXT/DXU/DXW (Moto 4) | 83-85 ▲ 83-85 ▲ 85-86 ▲ 85 ▲ 86-89 ▲ |
| DRC216 CT006 ▲ | LT-F 500 FK3/FK4/FK5/FK6/FK7 Vinson 4WD Bearcat 454 (4 x 4) Bearcat 454 (2 x 4) 500 (4 x 4 Manual) 500 (Manual 4x4) | 03-07 ▲ 96-98 ▲ 97-98 ▲ 03-04 ▲ 05-09 ▲ | DRC233 CT006 ▲ | KEF 300 A1-A6 Lakota KEF 300 B1/B2/B3 Lakota Sport KLF 300 A1/A2/B1-B17/C1-C17 Bayou | 95-00 ▲ 01-03 ▲ 86-05 ▲ |
| DRC217 CT006 ▲ | LT-F 500 FW/FX/FY/FK1/FK2 Quadrunner | 98-02 ▲ | DRC234 | KLF 400 B1-B7 Bayou (4 x 4) | 93-98 |
| DRC218 CT011 ▲ | LT 160 EK /EL/EM/EN LT 160 K3/K4 LT-F 160 M/N/P/R/S/T/V/W/X/Y/K1/K3 LT 230 GEF/GEG LT-F 230 G/H LT 230 EH/EJ/EK/EL/EM/EN/EP | 89-92 ▲ 03-04 ▲ 91-03 ▲ 85-86 ▲ 86-87 ▲ 87-93 ▲ | DRC236 | TRX 500 FPE Fourtrax Foreman 4x4 ES/EPS TRX 500 FE/FEA Fourtrax Foreman 4x4 EPS | 08-11 08-11 |
| DRC219 | USE DRC94 | | DRC237 | TRX 420 TM Fourtrax Rancher TRX 500 FE5/FE6/FE7/FE8 Fourtrax Foreman 4x4/ES TRX 500 FM Fourtrax Foreman 4x4 TRX 500 TM Fourtrax Foreman 2x4 TRX 500 FPM Fourtrax Foreman 4x4/ES | 07-11 05-08 05-11 05-06 08-11 |
| DRC220 CT011 ▲ | LT-F 250 K2 Ozark Up to frame JSAAJ51A22100696 | 02 ▲ | DRC238 | TRX 420 TE Fourtrax Rancher ES TRX 420 FP/FPA Fourtrax Rancher 4x4 ES/EPS TRX 420 FE/FEA Fourtrax Rancher 4x4/ES | 07-11 09-11 07-11 |
| DRC221 CT011 ▲ | LT-F 250 K3 Ozark LT-F 250 K5/K6/K7/K8/K9 | 03 ▲ 05-09 ▲ | DRC239 | TRX 420 FM Fourtrax Rancher 4x4 TRX 420 FPM/FPMA Fourtrax 4WD | 07-11 09-11 |
| DRC222 CT011 ▲ | LT-F 250 K4 LT-Z 250 K4-K9 QuadSport | 04 ▲ 04-11 ▲ | DRC240 CT009 ▲ | TRX 700 XX | 08-11 ▲ |
| DRC223 CT006 ▲ | LT-F 400 K2 Eiger Manual 2WD | 02 ▲ | DRC241 CT027 ▲ | SX 65 XC 65 | 09-11 ▲ 09-10 ▲ |
| DRC224 CT013SP ■ | KLF 220 A1-A15 Bayou KLF 250 A1/A2/A3/A6F/A7F/A8F /A9F/AAF/ABF Bayou | 88-02 ■ 03-11 ■ | | | |
| DRC225 CT004 ▲ | KSF 250 A1-A18 Mojave | 87-04 ▲ | | | |
| DRC226 CT005 ▲ | TT-R 250 L/M/N/P/R/S/T/V | 99-06 ▲ | | | |
| DRC227 DRCF227 CT005 ▲ | YZ 250 FX/FY/FZ/FA (4T) | 08-11 ▲ | | | |

| Part No. | Make/Model | Year | Part No. | Make/Model | Year |
|------------------------------|--|---|----------|------------|------|
| DRC244 DRCF244 CT009 ▲ | CRF 450 R/RA (4 spring) | 09-10 ▲ | | | |
| DRC249 CT012SP ■ | CRF 230 L CRF 230 M | 08-11 ■ 09-11 ■ | | | |
| DRC252 | XC-W 400 XCR-W 450 XC-W 450 Six Days EXC 450 EXC-R 450 EXC 530 EXC 530 Champion Edition XC-W Six Days | 10-11 08 10-11 10-11 08 10-11 10 10-11 | | | |
| DRC254 | RM-Z 450 K5/K6/K7 | 05-07 | | | |
| DRC255 DRCF255 CT004 ▲ | RM-Z 250 L0/L1 | 10-11 ▲ | | | |
| DRC256 DRCF256 CT001 ▲ | CRF 250 RA | 10 ▲ | | | |
| DRC259 DRCF259 CT009 ▲ | CRF 450 RB | 11 ▲ | | | |
| DRC260 CT023 ▲ | SX-F 350 | 11 ▲ | | | |
| | | | | | |

| Part No. | Make/Model | Year | Part No. | Make/Model | Year |
|-------------------------------|--|--|--------------------|--|---|
| SRC2 | VF 700 F Interceptor VF 750 F V45 Interceptor | 84-85 83-84 | SRC22 CT016 ▲ | ER-6N (ER 650 C9F/CAF) ZX 600 D1/D2/D3/D4 (ZX6) EX 650 A6F/A7F/A8F/A9F/C9F/CAF/CBF KLE 650 A7F/A8F/A9F/CAF/CBF Versys | 09-10 ▲ 90-93 ▲ 06-11 ▲ 07-11 ▲ |
| SRC3 CT014 ▲ | VFR 700 F/F2 Interceptor VF 750 C Magna/CD Magna Deluxe VFR 750 F Interceptor 750 VFR 750 F | 86-87 ▲ 94-03 ▲ 86 ▲ 90-97 ▲ | SRC24 CT016 ▲ | KZ 750 K1/K2 (LTD) ZX 750 K1/K2 ZX 750 J1/J2 ZX 750 L1/L2/L3 (ZX-7) ZX 750 M1/M2 (ZX-7R) ZX 750 P1-P8 (ZX 7 R) | 83-84 ▲ 91-92 ▲ 91-92 ▲ 93-95 ▲ 93-94 ▲ 96-03 ▲ |
| SRC4 | CB 1000 CBF 1000 F CBR 1000 F Hurricane | 94-95 90-96 87-88 | SRC25 CT021 ▲ | ZX 1100 C1-C4/D1-D9 (ZX11) ZX 1100 E1/E2/E3/F1 GPZ 1100 ZZR 1200 (ZX 1200 C1-C4) | 90-01 ▲ 95-97 ▲ 02-05 ▲ |
| SRC5 CT014 ▲ | VFR 750 R (RC 30) | 90 ▲ | SRC29 CT008 ▲ | FZR 1000 E/EC/F/FC/G/GC YZF 1000 R (RJ) | 93-95 ▲ 97 ▲ |
| SRC6 CT010 ▲ | FZR 400 U/W/SUC/SWC/A/SAC | 88-90 ▲ | SRC31 CT008 ▲ | FZR 1000 W/WC/A/AC/B/BC/D/DC | 89-92 ▲ |
| SRC7 CT010 ▲ | FZR 600 W/WC/RA/AC/RAC/RB/RBC/RD /RDC/RE/REC/RF/RFC/RG/RGC/H /RHC/RJ/RJC/RK/RKC/RL/RLC | 89-99 ▲ | SRC33 | YZF 600 RJ/RK/RL/RM/RN/RP/RR/RS /RT/RV/RW | 95-07 |
| SRC8 CT008 ▲ | FZR 750 RT/RU FZR 1000 T/TC/U/UC Genesis | 87-88 ▲ 87-88 ▲ | SRC38 CT004 ▲ | ZX 6R (ZX 600 F1/F2/F3/G1/G2) ZX 6R (ZX 600 J1/J2/J3) ZZR 600 (ZX 600 J4) ZZR 600 J6F/J7F/J8F ZX 6R (ZX 636 A1) ZX6R (ZX 636 B1/B2) 636cc Z 750 S (ZR 750 K1/K6F) | 95-99 ▲ 00-02 ▲ 05 ▲ 06-08 ▲ 02 ▲ 03-04 ▲ 05-06 ▲ |
| SRC9 CT008 ▲ | FZR 750 OWOI YZF 750 SP/RF/RFC/RG/RGC/RH/RHC | 89-91 ▲ 94-96 ▲ | SRC39 | RF 900 RR GSXR 1100 WR/WP/WS/WT/WV/WW | 94 93-98 |
| SRC10 | GSX 1100 GM/GN/GP GSXR 1100 K/L/M/N | 91-93 89-92 | SRC40 CT014 ▲ | GSX-R 750 T/V/W/X GSF 1200 SV/SAV/SW/SX/SY/SK1-SK5 | 96-99 ▲ 97-05 ▲ |
| SRC11 CT016 ▲ | EN 450 A1-A6 (454 LTD) EN 500 A1-A7/C1-C10/C6F/C7F/C8F/C9F EX 500 A1-A7/D1-D12/D6F/D7F/D8F/D9F KZ 550 A1/A2/A3/A4 KZ 550 C1/C2/C3/C4 (LTD) KZ 550 D1 (GPz) KZ 550 F1 Spectre KZ 550 F2 (LTD) KZ 550 H1/H2 (GPz) KZ 550 M1 (LTD) ZX 550 A1/A2/A3 (GPz) ZR 550 B1/B2/B3/B4 Zephyr ZL 600 A1/A2 ZL 600 Eliminator B2/B3 ZX 600 A1/A2/A3/B1 Ninja ZX 600 C1-C10 Ninja R | 85-90 ▲ 90-09 ▲ 87-09 ▲ 80-83 ▲ 80-83 ▲ 81 ▲ 83 ▲ 84 ▲ 82-83 ▲ 83 ▲ 84-86 ▲ 90-93 ▲ 86-87 ▲ 96-97 ▲ 85-87 ▲ 88-97 ▲ | SRC41 CT016 ▲ | ZX 750 N1/N2 (ZX 7 RR) ZX-9R B1/B2/B3/B4 Ninja | 96-99 ▲ 94-97 ▲ |
| SRC12 | | | SRC42 CT009SP ■ | CBR 600 F1 | 90 ■ |
| SRC13 CT029 ▲ | GSX 600 FJ/FK/FL/FM Katana GSX-R 750 G/H | 88-91 ▲ 86-87 ▲ | SRC43 CT016 ▲ | ZX 600 E1-E13 (ZX6) | 93-05 ▲ |
| SRC14 CT036SP ▲ | GSX-R 750 J/K | 88-89 ▲ | SRC45 CT036SP ▲ | RF 600 RR/RS/RT | 94-96 ▲ |
| SRC15 | GSXR 1100 G/H/J | 86-88 | SRC46 CT016 ▲ | W 650 (EJ650A1/A2/A3/A4) VN 800 A1-A11/B1-B10 | 00-02 ▲ 95-05 ▲ |
| SRC16 CT009SP ■ | CBR 600 F Hurricane CBR 600 F1 | 87 ■ 88-89 ■ | SRC50 CT024SP ▲ | GS 1000 SZ GS 1000 GT/GX GS 1000 GLT/GLX/SZ GS 1100 ET/EX/EZ GS 1100 GZ/GD GS 1100 GLZ/GLD GS 1100 GKZ/GK2/GKD/GKE GS 1100 LT GS 1150 ES3/ESE/EFESF/EF2/EG/ESG | 82 ▲ 80-81 ▲ 80-82 ▲ 80-82 ▲ 82-83 ▲ 82-83 ▲ 82-84 ▲ 80 ▲ 83-86 ▲ |
| SRC17 CT036SP ▲ | GSX 600 FN/FP/FR/FS/FT/FV Katana GSX R 600 WN/WP GSX-R 750 L/M/N GSX-R 750 WP/WR/WS | 92-97 ▲ 92-93 ▲ 90-92 ▲ 92-95 ▲ | SRC51 CT008 ▲ | FZ6 (All models) YZF 600 RL/RRL/RM/RMC/RN/RNC/P/PC R6 FZX 700 S/SC/T/TC FZ 750 N FZ 750 S/SC TDM 850 D/DC/E/EC | 04-09 ▲ 99-02 ▲ 86-87 ▲ 85 ▲ 86 ▲ 92-93 ▲ |
| SRC19 CT014 ▲ CT014SP ● | 599 (CB 600 F) CBR 600 F2 CBR 600 F3/SJR/SE CBR 929 RR (929cc model) CBR 954 RR | 04/06 ● 91-94 ● 95-98 ● 00-01 ▲ 02-03 ▲ | SRC52 CT016 ▲ | ZX 750 F1/F2/F3/F4 Ninja ZL 900 A1/A2 Eliminator KZ 1000 E1/E2 Shaft KZ 1000 J1/J2/J3 | 87-90 ▲ 85-86 ▲ 79-80 ▲ 81-83 ▲ |
| SRC20 CT016 ▲ | ZX 1100 A1/A2 (GPz) ZR 1100 A1/A2/A3/A4 Zephyr (ZR 1100 C3/C4) ZRX 1100 | 83-84 ▲ 92-95 ▲ 99-00 ▲ | | | |

| Part No. | Make/Model | Year | Part No. | Make/Model | Year |
|----------------------------|--|--|--------------------|--|--------------------------|
| SRC52 CT016 ▲ Contd. | KZ 1000 K1/K2 (LTD) KZ 1000 M1/M2 (CSR) KZ 1000 P1-P22/P24 Police KZ 1000 R1/R2 Replica ZG 1000 A1-A20 Concours ZG 1000 A6F Concours ZL 1000 A1 ZX 1000 A1/A2 Ninja ZX 1000 B1/B2/B3 Ninja ZX10 KZ 1100 A1/A2/A3 KZ 1100 B1/B2 (GPz) KZ 1100 D1/D2 Spectre KZ 1100 L1 (LTD) ZN 1100 B1/B2 (LTD) | 81-82 ▲ 81-82 ▲ 82-03/05 ▲ 82-83 ▲ 86-05 ▲ 06 ▲ 87 ▲ 86-87 ▲ 88-90 ▲ 81-83 ▲ 81-82 ▲ 82-83 ▲ 83 ▲ 84-85 ▲ | SRC74 CT008 ▲ | YZF-R6 RRR/RRS/T/TC YZF-R6S (SV/SW/SX/SY) | 03-05 ▲ 06-09 ▲ |
| SRC53 CT016 ▲ | VN 700 A1 Vulcan KZ 750 G1 (LTD) KZ 750 M1 (CSR) VN 750 A2-A21/A6F Vulcan VN 800 Drifter C1/C2/E1-E5/E6F VN 900 Vulcan Classic LT (D6F/D7F/D8F/D9F/DAF/DBF) VN 900 B6F/B7F/B8F/B9F/BAF /BBFA Vulcan Classic VN 900 C7F/C8F/C9F/CAF/CBF ZX 900 A1/A2/A3 Ninja | 85 ▲ 80 ▲ 82 ▲ 86-06 ▲ 99-06 ▲ 06-11 ▲ 06-11 ▲ 07-11 ▲ 84-86 ▲ | SRC75 CT014 ▲ | CBR 600 RR/RRA CBR 600 RA/RAA | 03-11 ▲ 09-11 ▲ |
| SRC54 CT016 ▲ | ZG 1200 A1/B1-B4 Voyager X11 ZG 1200 B5-B17 Voyager X11 | 86-90 ▲ 91-03 ▲ | SRC76 CT004 ▲ | ZX6RR (ZX 600 K1) 599cc | 03 ▲ |
| SRC55 CT014 ▲ | CBR 900 RR | 96-97 ▲ | SRC77 CT020 ▲ | (FZ1) FZS 1000 V/W/X/Y/Z/A YZF R1 (5VY) | 06-11 ▲ 04-06 ▲ |
| SRC56 | YZF 1000 R1 | 98 | SRC78 | GSXR 600 K1/K2/K3/ZK3/K4/K5 | 01-05 |
| SRC57 | CBR 600 F4i Sport CBR 900 RR 919 (CB 900 F) | 01-06 98-99 02-07 | SRC79 CT004 ▲ | ZX-10R (ZX 1000 C1/C2/D6F/D7F) ZX10R (ZX 1000 E8F/E9F/FAF) | 04-07 ▲ 08-10 ▲ |
| SRC58 | GSX R 600 V/W/X/Y | 97-00 | SRC80 CT009 ▲ | CBR 1000 RR CBR 1000 R | 04-07 11 ▲ |
| SRC59 CT004 ▲ | ZX 9R (ZX 900 C1/C2/E1/E2) ZX9R (ZX 900 F1/F2) Z 1000 (ZR 1000 A1/A2/A3) Z 1000 (ZR 1000 A6F) | 98-01 ▲ 02-03 ▲ 03-05 ▲ 06 ▲ | SRC81 CT022 ▲ | SV 650 X/Y/K1/SK1/SK2/K2 | 99-02 ▲ |
| SRC60 | VTR 1000 F Superhawk | 98-05 | SRC82 CT033SP ▲ | SFV 650 K9 Gladius SV 650 K3/SK3/K4/SK4/K5/SK5/K6 /SK6/K7/SK7/SK8/K8/SK9/SL0 | 09-10 ▲ 03-10 ▲ |
| SRC62 | NT 700 V/VA | 10-11 | SRC83 CT004 ▲ | ZX6RR (ZX 600 M1) SV 650 AK7/AK8 SV 650 SAK7/SAK8/SK9/SAL0 ABS | 04 07-08 ▲ 07-10 ▲ |
| SRC64 | NT 650 Hawk GT | 88-90 | SRC84 CT004 ▲ | ZX6R (ZX 636 C1/C6F 636cc) | 05-06 ▲ |
| SRC65 | YZF 1000 R1 | 99-03 | SRC85 CT015 ▲ | GSXR 1000 K5/K6/K7/K8 | 05-08 ▲ |
| SRC66 CT014 ★ | CBR 600 F4 | 99-00 ★ | SRC86 CT015 ▲ | GSXR 600 K6/K7 | 06-07 ▲ |
| SRC67 CT021 ▲ | | | SRC87 CT008 ▲ | YZF-R6 V/W/X/Z/A | 06-11 ▲ |
| SRC68 CT009 ▲ | TL 1000 RW/RX/RV TL 1000 SX/SY | 98-00 ▲ 99-00 ▲ | SRC88 CT015 ▲ | GSXR 600 K8/K9/L0 GSXR 750 K6/K7/K8/K9/L0 | 08-10 ▲ 06-10 ▲ |
| SRC70 CT009SP ■ | ST 1100/1100 A | 91-01 | SRC89 CT004 ▲ | GSXR 1000 K1/K2/K3/K4/ZK4 | 01-04 ▲ |
| SRC71 CT014 ▲ | GSXR 750 Y/K1 | 00-01 ▲ | SRC93 ▲ CT020 ▲ | YZF R1 LE YZF-R1 (6 piston caliper) | 06 ▲ 07-08 ▲ |
| SRC72 CT008 ▲ | SRX 600 S/SC | 86 ▲ | SRC94 CT014 ▲ | CBR 900 RR | 93-95 ▲ |
| SRC73 | Use SRC78 | | SRC95 CT009 ▲ | CBR 1000 RR/RRA CBR 1000 RA/RAA | 08-11 ▲ 09-11 ▲ |
| | | | SRC96 CT020 ▲ | YZF-R1 (6 piston caliper) | 09-11 |
| | | | SRC97 CT009 ▲ | GSXR 1000 K9/L1 | 09-11 ▲ |
| | | | SRC98 CT021 ▲ | 1190 R (RC8) | 09 |
| | | | SRC101 CT004 ▲ | ZX 6R (ZX 600 P7F/P8F/P9F/R9F/RAF/RBF) | 07-11 ▲ |
| | | | SRC103 CT009 ▲ | VFR 1200 FA | 10-11 ▲ |

All part numbers, prefixes and suffixes shown in this catalog are unique and form a registered copyright as the property of EBC Brakes and its UK trademark owners

| Part No. | Make/Model | Year | Part No. | Make/Model | Year |
|-------------------------------|--|---|--------------------|--|---|
| SRK2 | VF 700 F Interceptor VF 750 F V45 Interceptor | 84-85 83-84 | SRK22 CT016 ▲ | ER-6N (ER 650 C9F/CAF) ZX 600 D1/D2/D3/D4 (ZX6) EX 650 A6F/A7F/A8F/A9F/CAF KLE 650 A7F/A8F Versys | 09-10 ▲ 90-93 ▲ 06-10 ▲ 07-08 ▲ |
| SRK3 CT014 ▲ | VFR 700 F/F2 Interceptor VF 750 C Magna/CD Magna Deluxe VFR 750 F Interceptor 750 VFR 750 F | 86-87 ▲ 94-03 ▲ 86 ▲ 90-96 ▲ | SRK24 CT016 ▲ | ZX 750 K1/K2 ZX 750 J1/J2 ZX 750 L1/L2/L3 (ZX-7) ZX 750 M1/M2 (ZX-7R) ZX 750 P1-P8 (ZX 7 R) | 91-92 ▲ 91-92 ▲ 93-95 ▲ 93-94 ▲ 96-03 ▲ |
| SRK4 | CB 1000 CBF 1000 F CBR 1000 F Hurricane | 94-95 90-96 87-88 | SRK25 CT021 ▲ | ZX 1100 C1-C4/D1-D9 (ZX11) ZX 1100 E1/E2/E3/F1 GPZ 1100 ZZR 1200 (ZX 1200 C1-C4) | 90-01 ▲ 95-97 ▲ 02-05 ▲ |
| SRK5 | VFR 750 R (RC 30) | 90 | SRK29 CT008 ▲ | FZR 1000 E/EC/F/FC/G/GC YZF 1000 R (RJ) | 93-95 ▲ 97 ▲ |
| SRK6 CT010 ▲ | FZR 400 U/W/SUC/SWC/A/SAC | 88-90 ▲ | SRK31 CT008 ▲ | FZR 1000 W/WC/A/AC/B/BC/D/DC | 89-92 ▲ |
| SRK7 CT010 ▲ | FZR 600 W/WC/RA/AC/RAC/RB/RBC/RD /RDC/RE/REC/RF/RFC/RG/RGC /H/RHC/RJ/RJC/RK/RKC/RL/RLC | 89-99 ▲ | SRK33 | YZF 600 RJ/RK/RL/RM/RN/RP/RR/RS /RT/RV/RW | 95-07 |
| SRK8 CT008 ▲ | FZR 750 RT/RU FZR 1000 T/T/UC Genesis | 87-88 ▲ 87-88 ▲ | SRK38 CT004 ▲ | ZX 6R (ZX 600 J1/J2/J3) ZZR 600 (ZX 600 J4) ZZR 600 J6F/J7F/J8F ZX 6R (ZX 636 A1) ZX6R (ZX 636 B1/B2) 636cc Z 750 S (ZR 750 K1/K6F) | 00-02 ▲ 05 ▲ 06-08 ▲ 02 ▲ 03-04 ▲ 05-06 ▲ |
| SRK9 CT008 ▲ | FZR 750 OWOI YZF 750 SP/RF/RFC/RG/RGC/RH/RHC | 89-91 ▲ 94-96 ▲ | SRK39 | RF 900 RR GSXR 1100 WR/WP/WS/WT/WV/WW | 94 93-98 |
| SRK10 | GSX 1100 GM/GN/GP GSXR 1100 K/L/M/N | 91-93 89-92 | SRK40 CT014 ▲ | GSX-R 750 T/V/W/X GSF 1200 SV/SAV/SW/SX/SY/SK1-SK5 | 96-99 ▲ 97-05 ▲ |
| SRK11 CT016 ▲ | EN 450 A1-A6 (454 LTD) EN 500 A1-A7/C1-C10/C6F/C7F/C8F/C9F EX 500 A1-A7/D1-D12/D6F/D7F/D8F/D9F KZ 550 A1/A2/A3/A4 KZ 550 C1/C2/C3/C4 (LTD) KZ 550 D1 (GPz) KZ 550 F1 Spectre KZ 550 F2 (LTD) KZ 550 H1/H2 (GPz) KZ 550 M1 (LTD) ZX 550 A1/A2/A3 (GPz) ZL 600 A1/A2 ZL 600 Eliminator B2/B3 ZX 600 A1/A2/A3/B1 Ninja ZX 600 C1/C2 Ninja R | 85-90 ▲ 90-09 ▲ 87-09 ▲ 80-83 ▲ 80-83 ▲ 81 ▲ 83 ▲ 84 ▲ 82-83 ▲ 83 ▲ 84-86 ▲ 86-87 ▲ 96-97 ▲ 85-87 ▲ 88-89 ▲ | SRK41 CT016 ▲ | ZX 750 N1/N2 (ZX 7 RR) ZX-9R B1/B2/B3/B4 Ninja | 96-99 ▲ 94-97 ▲ |
| SRK12 | | | SRK42 | CBR 600 F1 | 90 |
| SRK13 CT029 ▲ | GSX 600 FJ/FK/FL/FM Katana GSX-R 750 G/H | 88-91 ▲ 86-87 ▲ | SRK43 CT016 ▲ | ZX 600 E1-E13 (ZX6) | 93-05 ▲ |
| SRK14 CT036SP ▲ | GSX-R 750 J/K | 88-89 ▲ | SRK44 CT016 ▲ | ZX 600 C3-C10 Ninja R | 90-97 ▲ |
| SRK15 | GSXR 1100 G/H/J | 86-88 | SRK45 CT036SP ▲ | RF 600 RR/RS/RT | 94-96 ▲ |
| SRK16 | CBR 600 F Hurricane CBR 600 F1 | 87 88-89 | SRK46 CT016 ▲ | W 650 (EJ650A1/A2/A3/A4) VN 800 A1-A11/B1-B10 | 00-02 ▲ 95-05 ▲ |
| SRK17 CT036SP ▲ | GSX 600 FN/FP/FR/FS/FT/FV Katana GSX R 600 WN/WP GSX-R 750 L/M/N | 92-97 ▲ 92-93 ▲ 90-92 ▲ | SRK50 CT024SP ▲ | GS 1000 SZ GS 1000 GT/GX GS 1000 GLT/GLX/SZ GS 1100 ET/EX/EZ GS 1100 GZ/GD GS 1100 GLZ/GLD GS 1100 GKZ/GKD/GKE GS 1100 LT GS 1150 ES3/ESE/EFESF/EF2/EG/ESG | 82 ▲ 80-81 ▲ 80-82 ▲ 80-82 ▲ 82-83 ▲ 82-83 ▲ 82-84 ▲ 80 ▲ 82-86 ▲ |
| SRK19 CT013SP ● CT014 ▲ | 599 (CB 600 F) CBR 600 F2 CBR 600 F3/SJR/SE | 04/06 ● 91-94 ● 95-98 ● | SRK51 CT008 ▲ | FZ6 (All models) YZF 600 RL/RRL/RM/RMC/RN/RNC/P/PC R6 FZX 700 S/SC/T/TC FZ 750 N FZ 750 S/SC TDM 850 D/DC/E/EC | 04-09 ▲ 99-02 ▲ 86-87 ▲ 85 ▲ 86 ▲ 92-93 ▲ |
| SRK20 CT016 ▲ | ZX 1100 A1/A2 (GPz) ZR 1100 A1/A2/A3/A4 Zephyr (ZR 1100 C3/C4) ZRX 1100 | 83-84 ▲ 92-95 ▲ 99-00 ▲ | | | |

| Part No. | Make/Model | Year | Part No. | Make/Model | Year |
|---------------------|--|---------------------------------------|--------------------|--|--|
| SRK52 CT016 ▲ | ZX 750 F1/F2/F3/F4 Ninja | 87-90 ▲ | SRK74 CT008 ▲ | YZF-R6 RRR/RRS/T/TC YZF-R6S (SV/SW/SX/SY) | 03-05 ▲ 06-09 ▲ |
| | ZL 900 A1/A2 Eliminator | 85-86 ▲ | | | |
| | KZ 1000 E1/E2 Shaft | 79-80 ▲ | | | |
| | KZ 1000 J1/J2/J3 | 81-83 ▲ | | | |
| | KZ 1000 K1/K2 (LTD) | 81-82 ▲ | | | |
| | KZ 1000 M1/M2 (CSR) | 81-82 ▲ | | | |
| | KZ 1000 P1-P22/P24 Police | 82-03/05 ▲ | | | |
| | KZ 1000 R1/R2 Replica | 82-83 ▲ | | | |
| | ZG 1000 A1-A20 Concours | 86-05 ▲ | | | |
| | ZG 1000 A6F Concours | 06 ▲ | | | |
| | ZL 1000 A1 | 87 ▲ | | | |
| | ZX 1000 A1/A2 Ninja | 86-87 ▲ | | | |
| | KZ 1100 A1/A2/A3 | 81-83 ▲ | | | |
| | KZ 1100 B1/B2 (GPz) | 81-82 ▲ | | | |
| | KZ 1100 D1/D2 Spectre | 82-83 ▲ | | | |
| KZ 1100 L1 (LTD) | 83 ▲ | | | | |
| ZN 1100 B1/B2 (LTD) | 84-85 ▲ | | | | |
| SRK53 CT016 ▲ | VN 700 A1 Vulcan | 85 ▲ | SRK80 CT009 ▲ | CBR 1000 RR CBR 1000 R | 04-07 11 ▲ |
| | KZ 750 G1 (LTD) | 80 ▲ | | | |
| | KZ 750 M1 (CSR) | 82 ▲ | | | |
| | VN 750 A2-A21/A6F Vulcan | 86-06 ▲ | | | |
| | VN 800 Drifter C1/C2/E1-E5/E6F | 99-06 ▲ | | | |
| | VN 900 Vulcan Classic LT (D6F/D7F/D8F/D9F/DAF/DBF) | 06-11 ▲ | | | |
| | VN 900 B6F/B7F/B8F/B9F/BAF Vulcan Classic | 06-10 ▲ | | | |
| | ZX 900 A1/A2/A3 Ninja | 84-86 ▲ | | | |
| | VN 900 C7F/C8F/C9F/CAF | 07-10 ▲ | | | |
| | | | | | |
| SRK54 CT016 ▲ | ZG 1200 B5-B17 Voyager X11 | 91-03 ▲ | SRK81 CT022 ▲ | SV 650 X/Y/K1/SK1/SK2/K2 | 99-02 ▲ |
| SRK55 CT014 ▲ | CBR 900 RR | 96-97 ▲ | SRK82 CT033SP ▲ | SFK 650 K9 Gladius SV 650 K3/SK3/K4/SK4/K5/SK5/K6 /SK6/K7/SK7/SK8/K8/SK9/SL0 SV 650 AK7/AK8 SV 650 SAK7/SAK8/SAK9/SAL0 ABS | 09-10 ▲ 03-10 ▲ 07-08 ▲ 07-10 ▲ |
| SRK56 | YZF 1000 R1 | 98 | SRK83 CT004 ▲ | ZX6RR (ZX 600 M1) | 04 |
| SRK57 | CBR 600 F4i Sport CBR 900 RR 919 (CB 900 F) | 01-06 98-99 02-07 | SRK84 CT004 ▲ | ZX6R (ZX 636 C1/C6F 636cc) | 05-06 ▲ |
| SRK58 | GSX R 600 V/W/X/Y | 97-00 | SRK85 CT015 ▲ | GSXR 1000 K5/K6/K7/K8 | 05-08 ▲ |
| SRK59 CT004 ▲ | ZX 9R (ZX 900 C1/C2/E1/E2) ZX9R (ZX 900 F1/F2) Z 1000 (ZR 1000 A1/A2/A3) Z 1000 (ZR 1000 A6F) | 98-01 ▲ 02-03 ▲ 03-05 ▲ 06 ▲ | SRK86 CT015 ▲ | GSXR 600 K6/K7 | 06-07 ▲ |
| SRK60 | VTR 1000 F Superhawk | 98-05 | SRK87 CT008 ▲ | YZF-R6 V/W/X/Z/A | 06-11 ▲ |
| SRK62 | NT 700 V/VA | 10 | SRK88 CT015 ▲ | GSXR 600 K8/K9 GSXR 750 K6/K7/K8/K9 | 08-10 ▲ 06-10 |
| SRK64 | NT 650 Hawk GT | 88-90 | SRK89 CT004 ▲ | GSXR 1000 K1/K2/K3/K4/ZK4 | 01-04 ▲ |
| SRK65 | YZF 1000 R1 | 99-03 | SRK93 CT020 ▲ | YZF R1 LE YZF-R1 (6 piston caliper) | 06 ▲ 07-08 ▲ |
| SRK66 CT014 ★ | CBR 600 F4 | 99-00 ★ | SRK94 CT014 ▲ | CBR 900 RR | 93-95 ▲ |
| SRK67 CT021 ▲ | GSX 1300 RX Hayabusa | 99 ▲ | SRK95 CT009 ▲ | CBR 1000 RR CBR 1000 RA | 08-11 ▲ 09-11 ▲ |
| SRK68 CT009 ▲ | TL 1000 RW/RX/RY TL 1000 SX/SY | 98-00 ▲ 99-00 ▲ | SRK96 | YZF-R1 (6 piston caliper) | 09-11 |
| SRK70 CT009SP ■ | ST 1100/1100 A | 91-01 | SRK97 CT009 ▲ | GSXR 1000 K9/L1 | 09-11 ▲ |
| SRK71 | GSXR 750 Y/K1 | 00-01 | SRK98 CT021 ▲ | 1190 R (RC8) | 09 |
| SRK72 CT008 ▲ | SRX 600 S/SC | 86 ▲ | SRK100 | CBR 929 RR (929cc model) CBR 954 RR | 00-01 02-03 |
| | | | SRK101 CT004 ▲ | ZX 6R (ZX 600 P7F/P8F/P9F/R9F/RAF/RBF) | 07-11 ▲ |
| | | | | | |

All part numbers, prefixes and suffixes shown in this catalog are unique and form a registered copyright as the property of EBC Brakes and its UK trademark owners

| Part No. | Make/Model | Year | Part No. | Make/Model | Year |
|---------------------|---|--------------------|----------|------------|------|
| SRK102 CT016 ▲ | ER6-n (ER 650 C9F/CAF) EX 650 A6F/A7F/A8F/C9F/CBF Ninja 650 R) | 09-10 06-11 | | | |
| SRK103 CT009 ▲ | VFR 1200 FA | 10-11 ▲ | | | |
| SRK104 CT036SP ▲ | GSX R 600 WN/WP GSX-R 750 WP WR/WS | 92-93 ▲ 93-95 ▲ | | | |
| SRK106 CT014 ▲ | GSXR 600 V/W | 97-98 ▲ | | | |
| SRK107 CT004 ▲ | ZX6RR (ZX 600 N1/N6F 599cc) | 05-06 ▲ | | | |
| SRK108 CT004 ▲ | ZX 6R (ZX 600 F1/F2/F3/G1/G2) | 95-99 ▲ | | | |
| | | | | | |

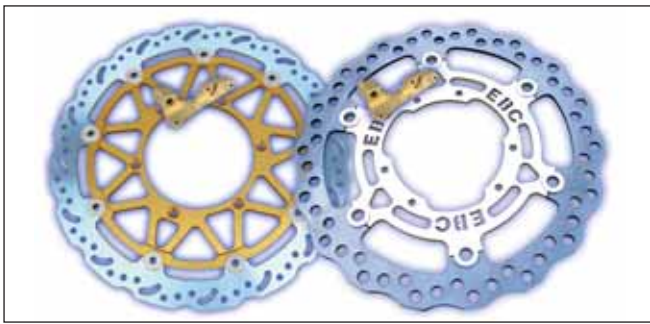
Top 20 By Brand With National Sales Ranking Where 1 Means Top Seller, 2 Means Second Best Seller etc

| National Ranking | Honda | National Ranking | Yamaha | National Ranking | Suzuki | National Ranking | Kawasaki |
|------------------|--------|------------------|--------|------------------|--------|------------------|----------|
| 1 | CK1119 | 4 | CK2255 | 6 | CK3377 | 3 | CK4435 |
| 2 | CK1206 | 7 | CK2274 | 13 | CK3319 | 9 | CK4514 |
| 5 | CK1247 | 8 | CK2279 | 16 | CK3386 | 17 | CK4510 |
| 10 | CK1191 | 11 | CK2290 | 21 | CK3417 | 19 | CK4424 |
| 12 | CK1166 | 18 | CK2313 | 27 | CK3387 | 26 | CK4455 |
| 14 | CK1193 | 23 | CK2309 | 35 | CK3333 | 39 | CK4453 |
| 15 | CK1148 | 24 | CK2297 | 37 | CK3318 | 40 | CK4434 |
| 20 | CK1190 | 28 | CK2364 | 42 | CK3335 | 43 | CK4425 |
| 22 | CK1230 | 29 | CK2350 | 47 | CK3357 | 45 | CK4438 |
| 25 | CK1218 | 36 | CK2254 | 48 | CK3382 | 51 | CK4409 |
| 30 | CK1293 | 46 | CK2325 | 50 | CK3450 | 55 | CK4503 |
| 31 | CK1140 | 53 | CK2355 | 54 | CK3443 | 58 | CK4419 |
| 32 | CK1149 | 61 | CK2335 | 57 | CK3401 | 80 | CK4475 |
| 33 | CK1151 | 63 | CK2300 | 66 | CK3348 | 83 | CK4413 |
| 34 | CK1219 | 64 | CK2315 | 67 | CK3330 | 88 | CK4440 |
| 38 | CK1170 | 65 | CK2352 | 69 | CK3457 | 97 | CK4513 |
| 41 | CK1146 | 71 | CK2356 | 74 | CK3451 | 100 | CK4469 |
| 44 | CK1176 | 73 | CK2287 | 77 | CK3433 | 102 | CK4473 |
| 49 | CK1150 | 76 | CK2332 | 78 | CK3447 | 104 | CK4515 |

| National Ranking | Item No | Range (MX/ATV) | Bike Model | National Ranking | Item No | Range (MX/ATV) | Bike Model | National Ranking | Item No | Model Fitment |
|------------------|---------|----------------|------------|------------------|---------|----------------|------------|------------------|---------|---------------|
| 1 | DRC88 | MX | Yamaha | 51 | DRC119 | MX | Yamaha | 1 | SRC59 | Kawasaki |
| 2 | DRC43 | ATV | Yamaha | 52 | DRC106 | MX | Honda | 2 | SRC77 | Yamaha |
| 3 | DRC33 | ATV | Yamaha | 53 | DRC15 | MX | Kawasaki | 3 | SRC57 | Honda |
| 4 | DRC129 | MX | Honda | 54 | DRC62 | MX | Kawasaki | 4 | SRC85 | Suzuki |
| 5 | DRC109 | MX | Yamaha | 55 | DRC97 | MX | Yamaha | 5 | SRC38 | Kawasaki |
| 6 | DRC100 | ATV | Honda | 56 | DRC7 | MX | Kawasaki | 6 | SRC19 | Honda |
| 7 | DRC42 | ATV | Yamaha | 57 | DRC93 | ATV | Honda | 7 | SRC75 | Honda |
| 8 | DRC79 | MX | Honda | 58 | DRC76S | MX | Suzuki | 8 | SRC65 | Yamaha |
| 9 | DRC107 | MX | KTM | 59 | DRC102 | MX | Yamaha | 9 | SRC24 | Kawasaki |
| 10 | DRC123 | MX | Kawasaki | 60 | DRC104 | ATV | Yamaha | 10 | SRC51 | Yamaha |
| 11 | DRC105 | MX | Kawasaki | 61 | DRC160 | MX | Suzuki | 11 | SRC79 | Kawasaki |
| 12 | DRC128 | ATV | Yamaha | 62 | DRC23 | ATV | Suzuki | 12 | SRC7 | Yamaha |
| 13 | DRC45 | MX | Kawasaki | 63 | DRC59 | MX | Kawasaki | 13 | SRC3 | Honda |
| 14 | DRC159 | ATV | Yamaha | 64 | DRC110 | MX | Yamaha | 14 | SRC25 | Kawasaki |
| 15 | DRC111 | MX | Yamaha | 65 | DRC182 | MX | Honda | 15 | SRC17 | Suzuki |
| 16 | DRC131 | ATV | Honda | 66 | DRC26 | ATV | Suzuki | 16 | SRC74 | Yamaha |
| 17 | DRC148 | MX | Honda | 67 | DRC71 | MX | Yamaha | 17 | SRC86 | Suzuki |
| 18 | DRC70 | MX | Yamaha | 68 | DRC92 | MX | Honda | 18 | SRC52 | Kawasaki |
| 19 | DRC44 | ATV | Honda | 69 | DRC139 | MX | KTM | 19 | SRC69 | |
| 20 | DRC25 | MX | Suzuki | 70 | DRC144 | MX | KTM | 20 | SRC80 | Honda |
| 21 | DRC1 | MX | Honda | 71 | DRC78 | MX | Yamaha | 21 | SRC33 | Yamaha |
| 22 | DRC98 | MX | Kawasaki | 72 | DRC116 | MX | Yamaha | 22 | SRC40 | Suzuki |
| 23 | DRC101 | MX | Honda | 73 | DRC126 | ATV | Honda | 23 | SRC73 | Suzuki |
| 24 | DRC2 | MX | Honda | 74 | DRC161 | MX | Suzuki | 24 | SRC78 | Suzuki |
| 25 | DRC137 | ATV | Kawasaki | 75 | DRC65 | MX | Kawasaki | 25 | SRC11 | Kawasaki |
| 26 | DRC46 | MX | Kawasaki | 76 | DRC10 | MX | Kawasaki | 26 | SRC50 | Suzuki |
| 27 | DRC95 | MX | Suzuki | 77 | DRC189 | MX | Suzuki | 27 | SRC84 | Kawasaki |
| 28 | DRC3 | MX | Honda | 78 | DRC48 | MX | Suzuki | 28 | SRC89 | Suzuki |
| 29 | DRC113 | MX | Yamaha | 79 | DRC87 | MX | Kawasaki | 29 | SRC82 | Suzuki |
| 30 | DRC6 | ATV | Honda | 80 | DRC22 | MX | Suzuki | 30 | SRC20 | Kawasaki |
| 31 | DRC75 | MX | Honda | 81 | DRC32 | MX | Yamaha | 31 | SRC58 | Suzuki |
| 32 | DRC158 | MX | Kawasaki | 82 | DRC120 | ATV | Suzuki | 32 | SRC88 | Suzuki |
| 33 | DRC85 | MX | Yamaha | 83 | DRC163 | MX | KTM | 33 | SRC66 | Honda |
| 34 | DRC91 | MX | Honda | 84 | DRC35 | MX | Yamaha | 34 | SRC68 | Suzuki |
| 35 | DRC155 | MX | Kawasaki | 85 | DRC60 | MX | Honda | 35 | SRC87 | Yamaha |
| 36 | DRC54 | MX | Honda | 86 | DRC11 | MX | Kawasaki | 36 | SRC71 | Suzuki |
| 37 | DRC5 | ATV | Honda | 87 | DRC127 | ATV | Honda | 37 | SRC13 | Suzuki |
| 38 | DRC112 | MX | Honda | 88 | DRC195 | MX | Yamaha | 38 | SRC53 | Kawasaki |
| 39 | DRC130 | MX | Suzuki | 89 | DRC84 | MX | Honda | 39 | SRC67 | Suzuki |
| 40 | DRC58 | MX | Suzuki | 90 | DRC154 | MX | KTM | 40 | SRC55 | Honda |
| 41 | DRC73 | MX | Kawasaki | 91 | DRC185 | ATV | Kawasaki | 41 | SRC81 | Suzuki |
| 42 | DRC115 | MX | Suzuki | 92 | DRC31 | MX | Yamaha | 42 | SRC4 | Honda |
| 43 | DRC4 | ATV | Honda | 93 | DRC61 | MX | Kawasaki | | | |
| 44 | DRC108 | MX | KTM | 94 | DRC72 | MX | Suzuki | | | |
| 45 | DRC121 | MX | Yamaha | 95 | DRC99 | MX | Yamaha | | | |
| 46 | DRC49 | MX | Honda | 96 | DRC36 | MX | Kawasaki | | | |
| 47 | DRC164 | ATV | Suzuki | 97 | DRC80 | MX | Suzuki | | | |
| 48 | DRC162 | MX | Yamaha | 98 | DRC89 | ATV | Suzuki | | | |
| 49 | DRC122 | MX | Kawasaki | 99 | DRC196 | MX | KTM | | | |
| 50 | DRC81 | ATV | Honda | | | | | | | |

BUYERS GUIDE

All part numbers, prefixes and suffixes shown in this catalog are unique and form a registered copyright as the property of EBC Brakes and its UK trademark owners



OVERSIZE ROTOR CONVERSIONS

280mm or 320mm rotors constructed with forged alloy center hub for weight reduction and tough billet steel 4mm thickness brake rotor for maximum stopping power. These rotor rings have extra weight reducing scraper holes and are riveted together with a nine button sturdy rivet system.

The rotors **COME COMPLETE WITH ANODISED ALLOY RELOCATION BRACKETS** for the various models listed below and are supplied as a kit with the complete rotor unit and anodised bracket. The brake hose will need to be replaced with a longer version.

| Model | Year | OS Part # | Disc Size mm | SM Part # | Rotor Size mm |
|---|-------|-----------|--------------|-----------|---------------|
| BMW | | | | | |
| G 450 X | 08-10 | OS6343C | 280 | SM6343C | 320 |
| HONDA | | | | | |
| CR 80 RT/RV/RW/RX/R1/R2 (14 inch wheel) | 96-02 | OS6058C | 250 | N/A | N/A |
| CR 80 RBT/RBV/RBW/RBX/RBY/RB1/RB2 (16 inch wheel) | 96-02 | OS6058C | 250 | N/A | N/A |
| CR 85 R3/R4/R5/R6/R7 (14 inch wheel) | 03-07 | OS6058C | 250 | N/A | N/A |
| CR 85 RB3/RB4/RB5/RB6/RB7 (16 inch wheel) | 03-07 | OS6058C | 250 | N/A | N/A |
| CR 125 RN/RP/RR | 92-94 | OS6001EC | 280 | N/A | N/A |
| CR 125 RS/RT/RV/RW/R1/R2/R3 | 95-03 | OS6037C | 280 | SM6037C | 320 |
| CR 125 R4/R5/R6/R7 | 04-07 | OS6437C | 280 | SM6437C | 320 |
| CRF 150 F3/F4/F5/F6/F7 | 03-11 | OS6317C | 280 | SM6317C | 320 |
| CRF 150 R7/R8/R9 (14 inch wheel) | 07-11 | OS6314C | 250 | SM6314C | 320 |
| CRF 150 RB7/RB8/RB9 (16 inch wheel) | 07-11 | OS6314C | 250 | SM6314C | 320 |
| CRF 230 L/M | 08-11 | OS6001C | 280 | SM6001C | 320 |
| CRF 230 F | 04-11 | OS6001C | 280 | SM6001C | 320 |
| CR 250 RN/RP/RR | 92-94 | OS6001EC | 280 | N/A | N/A |
| CR 250 RS/RT/RV/RW/RX/R1/R2/R3 | 95-03 | OS6037C | 280 | SM6037C | 320 |
| CR 250 R4/R5/R6/R7/R8 | 04-08 | OS6437C | 280 | SM6437C | 320 |
| CRF 250 R4-R9/RA/RB | 04-11 | OS6437C | 280 | SM6437C | 320 |
| CRF 250 X4-X9 | 04-11 | OS6437C | 280 | SM6437C | 320 |
| CRM 250-1 (MD24) (2T) | 93 | OS6001C | 280 | SM6001C | 320 |
| CRM 250-2 RR (MD24) (2T) | 94 | OS6001C | 280 | SM6001C | 320 |
| CRM 250-3 (MD24) (2T) | 95-96 | OS6001C | 280 | SM6001C | 320 |
| CRM 250 ARV/ARW (MD32 Active Radical) (2T) | 97-98 | OS6001C | 280 | SM6001C | 320 |
| XR 250 LN/LM | 91-92 | OS6001EC | 280 | N/A | N/A |
| XR 250 LP/LR/LS | 93-96 | OS6001C | 280 | SM6001C | 320 |
| XR 250 RM/RN/RP/RR/RS - Pro Link | 91-95 | OS6001EC | 280 | N/A | N/A |
| XR 250 RT/RV/RW/RX/R1-R4 | 96-04 | OS6001C | 280 | SM6001C | 320 |
| XR 400 RT/RV/RW/RX/R1-R6 | 96-06 | OS6001C | 280 | SM6001C | 320 |
| CRF 450 R2/R3 | 02-03 | OS6037C | 280 | SM6037C | 320 |
| CRF 450 R4-R9/RA/RB | 04-11 | OS6437C | 280 | SM6437C | 320 |
| CRF 450 X4-X9 | 04-11 | OS6437C | 280 | SM6437C | 320 |
| CR 500 RN/RP/RR | 92-94 | OS6001EC | 280 | N/A | 320 |
| CR 500 RS/RT/RV/RW/RX/R1/R2 | 95-01 | OS6037C | 280 | SM6037C | 320 |
| XR 600 RM/RN | 91-92 | OS6001EC | 280 | N/A | N/A |
| XR 600 RP/RR/RS/RT/RV/RW/RX/R1/R2 | 93-11 | OS6001C | 280 | SM6001C | 320 |
| XR 650 RY/R1-R7 | 00-07 | OS6001C | 280 | SM6001C | 320 |
| XR 650 L | 93-11 | N/A | 280 | SM6010C | 320 |
| HUSABERG | | | | | |
| All models (6 Bolt Zero Offset) (1) | 93-99 | OS6125C | 280 | SM6125C | 320 |
| All models (1) | 00-11 | OS6032C | 280 | SM6032C | 320 |
| (1) = See main catalog for individual model info | | | | | |
| HUSQVARNA | | | | | |
| All models (6 Bolt Zero Offset) (1) | 95-99 | OS6125C | 280 | SM6125C | 320 |
| All models (4 Bolt Zero Offset & 45mm dia. forks) (1) | 00-11 | OS6184HC | 280 | SM6184HC | 320 |
| All models (4 Bolt Zero Offset & 50mm dia. forks) (1) | 00-11 | OS6184KC | 280 | SM6184KC | 320 |
| (1) = See main catalog for individual model info | | | | | |
| KAWASAKI | | | | | |
| KX 85 A1-A5/A6F-A9F/AAF/ABF (17 inch front wheel) | 01-11 | OS6186C | 250 | N/A | N/A |
| KX 85 B6F-B9F/BAF (19 inch wheel) | 06-10 | OS6186C | 250 | N/A | N/A |
| KX 100 D1-D6/D7F-D9F | 01-09 | OS6186C | 250 | N/A | N/A |
| KX 125 K1-K5/L1-L4 | 94-02 | OS6015C | 280 | SM6015C | 320 |
| KX 125 M1-M3/M6F-M8F | 03-08 | OS6213C | 280 | SM6213C | 320 |
| KLX 250 J1-J6 D-Tracker | 98-03 | OS6240C | 280 | SM6240C | 320 |
| KLX 250 R D1-D4 | 93-96 | OS6015C | 280 | SM6015C | 320 |
| KLX 250 S (KLX 250 H6F/H7F) | 06-07 | OS6330C | 280 | SM6330C | 320 |
| KLX 250 S (KLX 250 T9F/TAF) | 09-10 | OS6329C | 280 | SM6329C | 320 |
| KX 250 K1-K5/L1-L4 (2T) | 94-02 | OS6015C | 280 | SM6015C | 320 |
| KX 250 M1/M2/R1 (2T) | 03-05 | OS6213C | 280 | SM6213C | 320 |
| KX 250 R6F/R7F/R8F (2T) | 06-08 | OS6264C | 280 | SM6264C | 320 |
| KX 250 F (KX 250 N1/N2) (4T) | 04-05 | OS6213C | 280 | SM6213C | 320 |
| KX 250 F (KX 250 T6F-T8F/W9F/XAFB/YBF) (4T) | 06-11 | OS6264C | 280 | SM6264C | 320 |
| KLX 400 SR (KLX 400 A1/A2) | 03-04 | OS6017C | 280 | SM6017C | 320 |

OVERSIZE ROTOR CONVERSIONS CONTD.

| Model | Year | OS Part # | Disc Size mm | SM Part # | Rotor Size mm |
|---|-------|-----------|--------------|-----------|---------------|
| KAWASAKI CONTD. | | | | | |
| KLX 400 S (KLX 400 B1/B2) | 03-04 | OS6017C | 280 | SM6017C | 320 |
| KLX 450 R A8F/A9F/AAF/ABF | 08-11 | OS6264C | 280 | SM6264C | 320 |
| KX 450 F (KX 450 D6F-D8F/E9F/EAF/EBF) | 06-11 | OS6264C | 280 | SM6264C | 320 |
| KX 500 E6-E16 (2T) | 94-04 | OS6015C | 280 | SM6015C | 320 |
| KLR 650 A1-A3 | 87-89 | N/A | N/A | SM6042C | 320 |
| KLX 650 R A1-A3 | 93-95 | OS6015C | 280 | SM6015C | 320 |
| KLX 650 R D1 | 96 | OS6015C | 280 | SM6015C | 320 |
| KTM | | | | | |
| SX 85 | 03-11 | OS6258C | 250 | N/A | N/A |
| SX 125 (2T) | 09-11 | OS6932C | 280 | SM6932C | 320 |
| SX 150 (2T) | 09-11 | OS6932C | 280 | SM6932C | 320 |
| XC 150 | 10-11 | OS6932C | 280 | SM6932C | 320 |
| XC-W 200 | 11 | OS6932C | 280 | SM6932C | 320 |
| SX 250 (2T) | 09-11 | OS6932C | 280 | SM6932C | 320 |
| SX-F 250 (4T) | 09-11 | OS6932C | 280 | SM6932C | 320 |
| 250 XC | 11 | OS6932C | 280 | SM6932C | 320 |
| 250 XC-W | 11 | OS6932C | 280 | SM6932C | 320 |
| XC 300 | 11 | OS6932C | 280 | SM6932C | 320 |
| XC-W 400 | 10 | OS6932C | 280 | SM6932C | 320 |
| EXC 450 | 10-11 | OS6932C | 280 | SM6932C | 320 |
| SX-F 450 (4T) | 09-11 | OS6932C | 280 | SM6932C | 320 |
| XC-W 450 Six Days | 10-11 | OS6932C | 280 | SM6932C | 320 |
| EXC 530 | 10-11 | OS6932C | 280 | SM6932C | 320 |
| XC-W 530 (4T) Six Days | 10-11 | OS6932C | 280 | SM6932C | 320 |
| Models with standard forks (1) | 94-98 | OS6032EC | 280 | SM6032EC | 320 |
| Models with USD forks - Except ones listed above | 99-11 | OS6032C | 280 | SM6032C | 320 |
| (1) = See main catalog for individual model info | | | | | |
| SUZUKI | | | | | |
| RM 85 K5-K9/L0 (17 inch wheel) | 05-10 | OSS6030C | 250 | N/A | N/A |
| RM 85 LK5-LK9/LL0 (19 inch wheel) | 05-10 | OSS6030C | 250 | N/A | N/A |
| RM 100 K3 | 03 | OSS6030C | 250 | N/A | N/A |
| RM 125 K/L/M/N/P/R/S | 89-95 | OS6017EC | 280 | N/A | N/A |
| RM 125 T/V/W/Y/K1-K8 | 96-08 | OS6017C | 280 | SM6017C | 320 |
| DR-Z 250 K1-K7 | 01-07 | OS6017C | 280 | SM6017C | 320 |
| RM 250 K/L/M/N/P/R/S (2T) | 89-95 | OS6017EC | 280 | N/A | N/A |
| RM 250 T/V/W/Y/K1-K8 (2T) | 96-08 | OS6017C | 280 | SM6017C | 320 |
| RMX 250 K/M/N/P/R/S (2T) | 89-95 | OS6017EC | 280 | N/A | N/A |
| RMX 250 T/V/W/X/Y (2T) | 96-00 | OS6017C | 280 | SM6017C | 320 |
| RM-Z 250 K4-K6 (4T) | 04-06 | OS6213C | 280 | SM6213C | 320 |
| RM-Z 250 K7/K8/K9/L0/L1 (4T) | 07-11 | OS6254C | 280 | SM6254C | 320 |
| DR-Z 400 SY/SK1/SK2/SK3/SK4/SK5/SK6/SK7/SK8/SK9/SL1 | 00-11 | OS6017C | 280 | SM6017C | 320 |
| DR-Z 400 Y/K1/K2/K3/K4 | 00-04 | OS6017C | 280 | SM6017C | 320 |
| DR-Z 400 EY/EK1/EK2/EK3/EK4/EK5/EK6/EK7 | 00-07 | OS6017C | 280 | SM6017C | 320 |
| RMX 450Z L0 (4T) | 10-11 | TBA | 280 | TBA | 320 |
| RM-Z 450 K5-K9/L0 (4T) | 05-11 | OS6254C | 280 | SM6254C | 320 |
| DR 650 SET/SEV/SEW/SEX/SEY/SEK1-SEK9/SEL1 | 96-11 | N/A | N/A | SM6094C | 320 |
| YAMAHA | | | | | |
| YZ 80 E/F/G/H/J/K/L/M/N (17 inch front wheel) | 93-01 | OSY6030C | 250 | N/A | N/A |
| YZ 80 LE/LF/LG/LH/LJ/LK/LL/LM/LN (19 inch front wheel) | 93-01 | OSY6030C | 250 | N/A | N/A |
| YZ 85 P/R/S/T/V/W/X/Y/Z/A (17 inch front wheel) | 92-11 | OSY6030C | 250 | N/A | N/A |
| YZ 85 LP/LR/LS/LT/LV/LW/LX/LY/LZ/LA (19 inch front wheel) | 92-11 | OSY6030C | 250 | N/A | N/A |
| WR 125 K | 98 | OS6028EC | 280 | N/A | N/A |
| YZ 125 D/E/F/G/H/J | 92-97 | OS6028EC | 280 | N/A | N/A |
| YZ 125 K/L/M/N/P/R/S/T/V/W | 98-07 | OS6028C | 280 | SM6028C | 320 |
| YZ 125 X/Y/Z/A | 08-11 | OS6728C | 280 | SM6728C | 320 |
| WR 250 WRA (2T) | 90 | OS6028EC | 280 | N/A | N/A |
| WR 250 ZD/ZE/ZF/ZG/ZH/ZJ (2T) | 91-97 | OS6028EC | 280 | N/A | N/A |
| WR 250 FN/FP/FR/FS/FT/FV/FW/FY/FZ/FA (4T) | 01-11 | OS6028C | 280 | SM6028C | 320 |
| YZ 250 D/E/F/G/H/J (2T) | 92-97 | OS6028EC | 280 | N/A | N/A |
| YZ 250 K/L/M/N/P/R/S/T/V/W (2T) | 98-07 | OS6028C | 280 | SM6028C | 320 |
| YZ 250 X/Y/Z/A (2T) | 08-11 | OS6728C | 280 | SM6728C | 320 |
| YZ 250 FN/FP/FR/FS/FT/FV (4T) | 01-06 | OS6028C | 280 | SM6028C | 320 |
| YZ 250 FW/FX/FY/FZ/FA (4T) | 07-11 | OS6728C | 280 | SM6728C | 320 |
| YZ 400 FK/FL | 98-99 | OS6028C | 280 | SM6028C | 320 |
| WR 400 FK/FL/FM/FN | 98-01 | OS6028C | 280 | SM6028C | 320 |
| WR 426 FN/FP | 01-02 | OS6028C | 280 | SM6028C | 320 |
| YZ 426 FM/FN/FP | 00-02 | OS6028C | 280 | SM6028C | 320 |
| WR 450 FR/FS/FT/FV/FW/FX/FY/FZ | 03-11 | OS6028C | 280 | SM6028C | 320 |
| YXR 450 Side X Side (All models) Rear rotor fitment | 04-09 | OS6242 | 195 | SM6242C | N/A |
| YZ 450 FR/FS/FT/FV/FW/FX/FY | 03-07 | OS6028C | 280 | SM6028C | 320 |
| YZ 450 FX/FY/FZ/FA | 08-11 | OS6728C | 280 | SM6728C | 320 |
| XT 600 E | 95-03 | N/A | N/A | SM6116C | 320 |
| XTZ 660 Tenere | 91-98 | N/A | N/A | SM6116C | 320 |
| YXR 660 Side X Side (All models) Rear rotor fitment | 04-07 | OS6242 | 195 | N/A | N/A |

To special order rotors not identifiable in our catalog please copy this page - fill in all details and fax to our technical department on (425) 486 3001.

Name: _____

Phone # _____

Address: _____

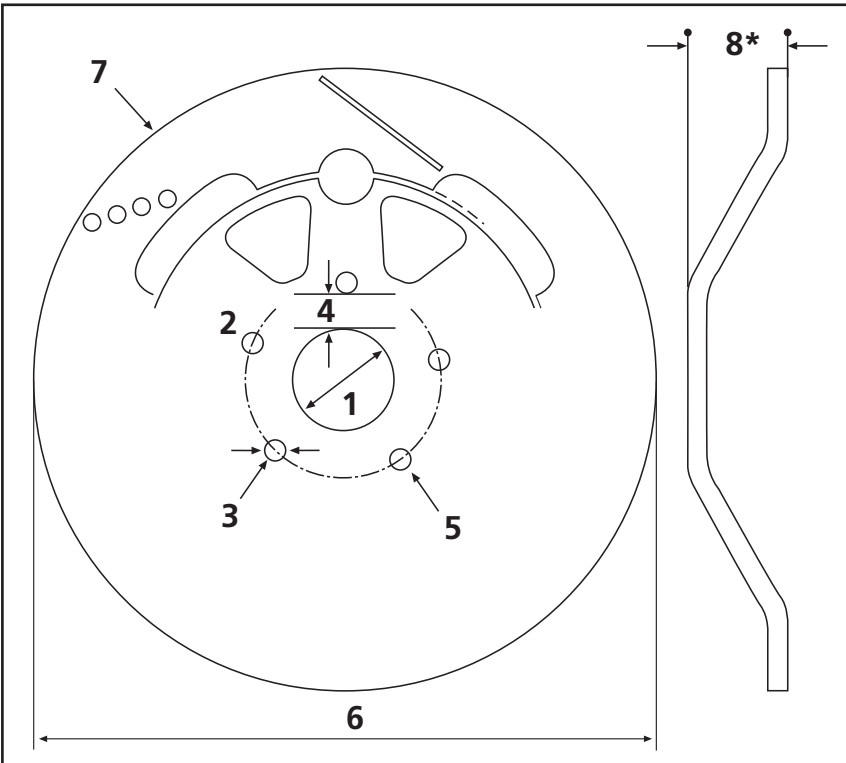
Bike Details: _____

Wheel Details: _____

No of Discs needed:

| | |
|-------------|--|
| FRONT LEFT | |
| FRONT RIGHT | |
| REAR | |

• DIMENSIONS OF DISC •



| | | |
|-------------------|---|--|
| 1 | Bore Dia in mm | |
| 2 | No Holes in Hub | |
| 3 | Dia of Hub Holes in mm | |
| 4 | To determine PCD of Holes measure wall section only. <small>(From inside bolt hole to inside carrier bore)</small> | |
| 5 | Hole type i.e. plain / countersunk / counterbored | |
| 6 | Dia of Disc in mm | |
| 7 | Thickness of Disc in mm | |
| 8 | Offset in mm | |
| RACE USE | | |
| STREET USE | | |

* Measured from back of hub abutment face to front of disc rotor.

OUTLINE OF BRAKE PADS TO BE USED WITH DISC



| For EBC use only | |
|--------------------|--|
| Disc # | |
| Price ea | |
| Delivery Time | |
| Method of Shipment | |
| Method of Payment | |

RACE / SPECIAL ROTORS

STREETBIKE DISC BUYERS GUIDE

CODES FOR TYPES
S = FLAT SOLID
D = FLOATING ROTOR CONVERSION FOR DISHED SOLID ROTOR

F = FLOATING ROTOR
S/F = FLOATING ROTOR CONVERSION FOR FLAT SOLID ROTOR

DISC
BUYERS GUIDE

| Disc No | Front /Rear | Type | Models | Dia (mm) | Disc No | Front /Rear | Type | Models | Dia (mm) |
|--|----------------|--------|---|----------|----------------------------------|-------------|------|--|----------|
| Old Part No. MD 506 LS MD 506 RS Equivalent New Nos FSD001 FSD003 FSD005C FSD007 FSD009 FSD011C | Front | S/F | Harley Davidson 11 1/2" Front Floating Disc Conversion. (Sportsters & Big Twins with speedo notch) See main catalog listing for full fitment info. | 290 | MD 521 | Rear | F | HARLEY DAVIDSON Various 2008-2011 models. See main catalog listing for full fitment info. | 300 |
| | | | | | MD 522 | Rear | S | BUELL XB12 R Firebolt 09-10 XB 12 SS Lightning 09-10 | 240 |
| | | | | | MD 523 X | Front | F | HARLEY DAVIDSON XR 1200 08-10 XR 1200 X 10-11 | 290 |
| Old Part No. MD 508 SKL MD 508 SKR Equivalent New Nos RSD013C RSD015 RSD017C RSD019 | Rear | S/F | As above but with counterbored. Hardware bolt kit included. (where originally countersunk hardware fitted) See main catalog listing for full fitment info. | 290 | MD 524 | Rear | S | HARLEY DAVIDSON XR 1200 08-10 XR 1200 X 10-11 | 260 |
| MD 509 SR | Rear | S | Harley Davidson - FLT, FLHT, FLHTCI 86-99 Harley Davidson - FLHR, FLHRCI 94-99 | 290 | MD 601 LS MD 601 RS | Front | F | CBR 600 F2 91-94 Floating conversion for Triumph models using MD649LS solid disc. | 310 |
| MD 510 | | | Use MD511 | | MD 602 LS MD 602 RS | Front | D | BMW R 60/7 76-80 R 60 TIC 78-82 R 65 LS 81-85 R 75/6 73-79 R 80 77-84 R 80 RT 82-84 R 80 TIC 78-85 R 90 S 73-76 R 90/6 73-76 R 100 76-77 R 100/7T 77-84 R 100 S 76-80 R 100 RS 76-84 R 100 RT 78-84 | 260 |
| MD 511 | Rear | S | Buell All twin models 94-02 | 240 | MD 602 LS | Rear | D | BMW R 100 S 09/80-80 R 100 RS 10/80-84 R 100 RT 10/80-84 | |
| Old Part No. MD 512 LS MD 512 RS Equivalent New Nos FSD002 FSD004 FSD006C FSD008 FSD010 FSD012C | Front | S/F | HARLEY DAVIDSON Various models 2000 onwards. See main catalog listing for full fitment info. | 292 | MD 603 LS MD 603 RS (ABS) | Front | D | BMW K 75/75-2 84-96 K 75 RT 89-96 K 75 S 85-95 K 100/2 87-08/88 K 100/2 09/88-90 K 100 LT 86-91 K 100 RS 83-89 K 100 RT 83-89 | 285 |
| Old Part No. MD 513 SKL MD 513 SKR Equivalent New Nos RSD014C RSD016 RSD018C RSD020 | Rear | S/F | HARLEY DAVIDSON Various models 2000 onwards. See main catalog listing for full fitment info. | 292 | MD 604 LS MD 604 RS (Non ABS) | Front | D | BMW K 75/75-2 84-96 K 75 C 85-12/88 K 75 RT 89-96 K 75 S 85-95 K 100 82-09/88 K 100/2 87-90 K 100 LT 86-91 K 100 RS 83-89 K 100 RT 83-89 | 285 |
| MD 514 LS MD 514 RS | Front | S/F | HARLEY DAVIDSON VRSCA - V-Rod 02-05 | 292 | MD 605 LS MD 605 RS | Front | D | BMW R 65 07/88-08/89 R 65 RT 85-88 R 80/R 80 RT 84-95 R 100 RS 86-92 R 100 RT 87-95 R 80 Mystic 94-95 R 80 R 91-94 R 100 GS 86-94 R 100 PD 89-96 R 100 Mystic 93-96 R 100 R 91-95 R 850 GS 96 | 285 |
| MD 515 | Rear | S | HARLEY DAVIDSON VRSCA - V-Rod 02-05 | 292 | | | | | |
| MD 516 MD 516 X Floating conversion | Front Front | S F | HARLEY DAVIDSON Various models 2005 onwards. See main catalog listing for full fitment info. | 300 | | | | | |
| MD 517 | Rear | S | HARLEY DAVIDSON Various models 2005 onwards. See main catalog listing for full fitment info. | 300 | | | | | |
| MD 518 | Front | F | HARLEY DAVIDSON Various models 2006 onwards. See main catalog listing for full fitment info. | 300 | | | | | |
| MD 519 | Front | F | HARLEY DAVIDSON Various models 08-11 onwards. See main catalog listing for full fitment info. | 300 | | | | | |
| MD 520 | Front | F | HARLEY DAVIDSON Various 2008-2011 models. See main catalog listing for full fitment info. | 300 | | | | | |

All part numbers, prefixes and suffixes shown in this catalog are unique and form a registered copyright as the property of EBC Brakes and its UK trademark owners

STREETBIKE DISC BUYERS GUIDE

| Disc No | Front /Rear | Type | Models | Dia (mm) | Disc No | Front /Rear | Type | Models | Dia (mm) | |
|--------------------------------------|-------------|------|--|----------|---|-------------|------|---|----------|--|
| MD 606 LS MD 606 RS | Front | D | BMW R 45/45 N 78-85 R 45 T 80-85 R 65 GS 87-92 R 65 T 80-85 R 65 LS 81-85 R 80 GS 80-95 R 80 PD/CH 90-95 R 80 ST 82-84 R 100/7T 09/80-84 | 260 | MD 614 X MD 614 XC Contd. | Front | F | DUCATI Monster 400 (Twin disc) 03-04 400 Monster (Japan) 00-04 Monster Dark ie 400 (Japan) 05-06 Monster Dark ie 400 (Single disc) 05 600 Monster City/City Dark 99 600 Monster 00-01 620 IE Monster 02-04 Monster 620 ie (Single disc) 03-04 620 Sport 03 696 Monster 08-10 748 Biposto 99-02 748 SP/Monoposto 99-2002 748 Testa Bassa (Mono/Biposto) 01 750 Supersport IE 00-02 750 Sport 01-02 750 Monster 00-01 Monster ie 750 02 796 Hypermotard 10-11 Monster 800 03-04 800 Sport 03 800 Supersport 03-05 900 Supersport IE 00-01 900 Sport 02 900 IE Monster 00-01 900 MH Evoluzione 00-01 ST4 (916cc) 01-02 ST2 (944cc) 00-03 GT 1000 (992cc) 07-10 GT 1000 Touring - Sport Classic 09 Monster 1000 Dark 03 Monster 1000 ie (992cc) 04-05 Monster 1000 S ie (992cc) 03-05 Monster S2R 1000 (992cc) 06-08 Paul Smart 1000 LE (992cc) 06 Sport 1000 S 07-09 Sport Classic 1000 (992cc) (Monoposto - Japan /Biposto - Europe) 06-08 Supersport 1000 DS (992cc) 03-06 | 320 | |
| MD 607 LS MD 607 RS | Front | F | BMW K 100 RS 89-92 K1 88-93 K 1100 LT 89-99 K 1100 RS 92-96 R 850 R 94-02 R 850 RT 96-01 R 1100 R 93-01 R 1100 RS 92-01 R 1100 RT 94-01 | 305 | | | | | | |
| MD 608 LS/RS | | | Use MD607LS/RS | | | | | | | |
| MD 609 LS MD 609 RS | Front | D | Laverda Jota 1000 76 Mirage 1200 76 900 SS Darmah 78 900 Hailwood Replica 79 1000 R1 Hailwood Replica 84 | 280 | | | | | | |
| MD 609 LS | Rear | D | 900 Hailwood Replica 79 1000 R1 Hailwood Replica 84 | 280 | | | | | | |
| MD 609 ALS/ARS | Front | D | RGS 1000 83 | 280 | | | | | | |
| MD 611 Non ABS Models | Rear | F | BMW K 75/75-2 08/90-96 K 75 RT 89-96 K 75 S 85-95 K 100 82-09/88 K 100/2 87-90 K 100 LT 86-91 K 100 RS 83-89 K 100 RT 83-09/88 K 100 RS (Non ABS) 89-92 K1 (16 valve - Non ABS) 88-93 | 285 | | | | | | |
| MD 613 MD 613 C | Rear | S | APRILIA RSV Mille All models 98-03 RSV 1000 Tuono/Tuono R/Factory R 02-11 SL 1000 Falco 00-05 RSV 1000 R Factory/R 04-11 | 220 | | | | | | |
| MD 614 X MD 614 XC | Front | F | MOTO GUZZI Nevada Classic 750 ie 05-08 V10 Centauro 97-99 California EVII 97-01 Sport 1100 94-99 California Jackel 1100 99-01 California Special 1100 99-01 V11 Sport/Scura/Naked 99-00 V11 Le-Mans Series 01-06 California Stone Series 02-06 California EV Series 02-06 California Vintage 750 06-10 750 Nevada/Club 03 V 750 ie Brevia 03-08 V 7 Classic 08-10 V 7 Cafe Classic 11 KTM 690 Duke 08-11 CAGIVA Mito 125 92-02 DUCATI Monster 400 (Single disc) 00-02 | 320 | MD 615 | Rear | F | BMW K 1200 LT 97-08 | 285 | |
| | | | | | MD 616 | Front | S | BMW R 850 R 03-06 K 1200 LT 11/00-08 R 1100 S 12/00-06 R 1150 R 01-06 R 1150 Rockster 03-06 R 1150 RS 01-05 R 1150 GS 03-06 K 1200 R-Urban (K43) 05-08 R 1200 R 07-08 K 1300 R 09 | 320 | |
| | | | | | MD 618 | Rear | S | DUCATI 749/749 S/749 R 03-06 999/999 S/999 R 03-06 Desmosedici 1000 08 | 240 | |
| | | | | | MD 619 RS | Front | F | Skorpion Tour/Traveller 95-02 | 315 | |
| | | | | | MD 620 | Front | S | BMW R 850 RT 06 K 1200 RS 01-05 R 1100 S 12/00-05 R 1150 RT 00-06 K 1200 GT (K41) 03-06 K 1200 R 05-08 K 1200 S 03-08 R 1200 S 06-08 | 320 | |

F = FLOATING ROTOR
S/F = FLOATING CONVERSION FOR FLAT SOLID ROTOR

CODES FOR TYPES
S = FLAT SOLID
D = FLOATING ROTOR CONVERSION FOR DISHED SOLID ROTOR

DISC
BUYERS GUIDE

STREETBIKE DISC BUYERS GUIDE

CODES FOR TYPES
S = FLAT SOLID
/ D = FLOATING ROTOR CONVERSION FOR DISHED SOLID ROTOR

F = FLOATING ROTOR
S/F = FLOATING CONVERSION FOR FLAT SOLID ROTOR

DISC
BUYERS GUIDE

| Disc No | Front /Rear | Type | Models | Dia (mm) | Disc No | Front /Rear | Type | Models | Dia (mm) |
|-----------------------|-------------|------|--|----------|------------------------|-------------|------|---|----------|
| MD 621 X MD 621 XC | Front | S | APRILIA RS 125 06-11 Shiver 750 07-11 Mana 850/GT 850 ABS 08-11 RSV Mille/Mille R (All models) 01-03 RSV Tuono/Tuono R/Factory R 02-11 RSV 1000 R Factory/R 04-11 BMW G 650 Xmoto 07-09 MOTO GUZZI MGS-01 04-05 Griso 1100 05-08 Griso 1200 8V 09-11 | 320 | MD 627 MD 627 C | Rear | S | Ducati 695 Monster 06-09 Hypermotard 796 10-11 796 Monster 10-11 Monster S2R (803cc) 05-07 Monster S2R Dark (803cc) 05-06 848 (Radial 2 pad caliper) 08-09 848 Evo (Monobloc Front Calipers) 10-11 Monster S4R (996cc) (2 pad caliper) 05-06 Monster S4R (996cc) 03-06 S4RS Monster (998cc) (Radial 4 pad caliper) 06 S4R Testastretta Monster (998cc) (Radial 4 pad caliper) 07-08 S4RS Testastretta Monster (998cc) (Radial 4 pad caliper) 07- S4RS (Tricolore/Monster Testastretta) (998cc) 08 Monster S2R 1000 (992cc) 06-08 Multistrada 1000 DS (992cc) 03-05 Multistrada S 1000 DS (992cc) 05-06 Hypermotard 1100 07-09 Hypermotard 1100 S 07-09 Hypermotard 1100 Evo 10-11 Hypermotard 1100 Evo SP 10-11 Monster 1100 09-11 Monster 1100 S 09-11 Multistrada 1100 (1078cc) 07-09 Multistrada 1100 S (1078cc) 07-09 Multistrada 1200 10-11 Multistrada 1200 S (Sport/Touring Editions) 10-11 | 245 |
| MD 622 X MD 622 XC | Front | F | DUCATI 749 Dark (Monoposto/Biposto) 04-06 749 R (Radial caliper) 04-06 749 S (Monoposto/Biposto) 03-06 749 (Monoposto/Biposto) 03-06 796 Monster 10-11 848 (Radial 2 pad caliper) 08-09 848 Evo (Monobloc Front Calipers) 10-11 S4RS Monster (998cc) (Radial 4 pad caliper) 06 S4R Testastretta Monster (998cc) (Radial 4 pad caliper) 07-08 S4RS Testastretta Monster (998cc) (Radial 4 pad caliper) 07- S4RS (Tricolore/Monster Testastretta) (998cc) 08 999 S (Std Caliper Mount) (Monoposto/Biposto) 03-04 999 (Std mount caliper) 03-06 999 R (Radial mount caliper) 03-06 999 R Fila (Radial mount caliper) 03- 999 R Xerox 06 999 S (Radial mount caliper) Monoposto/Biposto 05-06 Monster 1100 09-11 Monster 1100 S 09-11 Multistrada 1200 10-11 Multistrada 1200 S (Sport/Touring Editions) 10-11 | 320 | MD 629 | Front | F | Triumph Thruxton 900 04-11 | 320 |
| MD 623 RS | Front | S | MUZ 500 Country 93-98 | 280 | MD 630 LS MD 630 RS | Front | S | Ducati 750 Paso 88-90 750 Sport 88-90 | 280 |
| MD 624 | Front | F | MOTO-GUZZI Norge 1200 (ABS Model) 06-11 Breva 1100 (ABS Model) 05-08 Stevlio 1200 (4V/ABS) 09-11 DUCATI Monster S4 Foggy (916cc) 02 Monster S4 (916cc) 01-02 ST3 S (ABS Model) (992cc) 06-07 Monster S4R (996cc) (2 pad caliper) 05-06 996 SPS (996cc) 99 996 (996cc) (Monoposto/Biposto) 99-01 996 S 01 Monster S4R (996cc) 03-06 ST4S (Non ABS/996cc) 01-05 ST4S (ABS Model/996cc) 03-05 Monster S4 Foggy(916cc) 02 Monster S4 (916cc) 01-02 ST3 S (ABS Model) (992cc) 06-07 Monster S4R (996cc) (2 pad caliper) 05-06 996 SPS (996cc) 99 996 (996cc) (Monoposto/Biposto) 99-01 996 S 01 | 320 | MD 631 | Rear | S | Ducati 906 Paso 88-89 750 Paso/Sport 87-90 | 270 |
| MD 626 X MD 626 XC | Front | F | Ducati Monster 400 ie (Japan) 07-08 Multistrada Dark 620 03-05 Monster 620 05-06 Multistrada 620 05-06 695 Monster 06-09 Monster S2R (803cc) 05-07 Monster S2R Dark (803cc) 05-06 | 300 | MD 632 MD 632 C | Rear | S | 748 R (2 pad caliper) 00 748 R (4 pad caliper) 01-02 748 Biposto 95-02 748 SP 95-98 748 (Biposto) 00-02 748 (Monoposto) 00-02 748 SPS 98-99 748 Testa Bassa (Mono/Biposto) 01 900 MH Evoluzione 00-01 916 (Biposto) 94-96 916 Sienna 94-98 916 SPS (996cc) 97-98 996 SPS (996cc) 99 996 (996cc) (Monoposto/Biposto) 99-01 996 R 01 996 S 01 998 Matrix (998cc) 04 998 R (998cc) 02 998 S Bayliss/Bostrom 02 998 S (998cc) (4 pad caliper) 02-04 998 (998cc) (2 pad caliper) (Monoposto/Biposto) 02-03 | 220 |
| | | | | | MD 633 X MD 633 XC | Front | F | DUCATI 998 Matrix (998cc) 04 998 S Bayliss/Bostrom 02 998 S (998cc) (4 pad caliper) 02-04 998 (998cc) (2 pad caliper) (Monoposto/Biposto) 02-03 KTM SX-F 450 07-08 990 Superduke 05-11 990 Superduke R 07-11 | 320 |
| | | | | | | | | | |

All part numbers, prefixes and suffixes shown in this catalog are unique and form a registered copyright as the property of EBC Brakes and its UK trademark owners

STREETBIKE DISC BUYERS GUIDE

| Disc No | Front /Rear | Type | Models | Dia (mm) | Disc No | Front /Rear | Type | Models | Dia (mm) | | | | | | | | | | | | | | | | |
|---|-------------|-------------|----------------------------|----------|----------------------------|---|-------|-----------------------|---|-------|------------|------------------------|-------|---|-----------------------|---------------------|----|--------------------------|---|-------|-----------------------|---|-------|--------------|------------------|
| MD 634 LS/RS | Front | F | 250/350/450 Desmo | 74-77 | 280 | MD 648 MD 648 C | Rear | S | T595 Daytona | 97 | | | | | | | | | | | | | | | |
| | | | 750 Sport | 74 | | | | | Daytona 600 | 03-04 | | | | | | | | | | | | | | | |
| MD 634 LS | Rear | F | 750 SS | 75-76 | 280 | MD 649 Note: Floating conversion kit available MD601LS/RS | Front | S | Daytona 650 | 05 | | | | | | | | | | | | | | | |
| | | | 860 GT/GTS | 75-76 | | | | | Daytona 675 | 06-08 | | | | | | | | | | | | | | | |
| | | | 900 GTS | 75-76 | | | | | 675 Daytona Black Monobloc Radial Caliper | 09-11 | | | | | | | | | | | | | | | |
| | | | 900 SS Darmah | 76-77 | | | | | Daytona 955i | 98-06 | | | | | | | | | | | | | | | |
| MD 636 X MD 636 XC | Front | | Ducati | | 320 | | | | MD 650 LS/RS | Front | S | Speedmaster 800 | 03-04 | | | | | | | | | | | | |
| | | | 748 R | 00-02 | | | | | | | | Bonneville America | 02-06 | | | | | | | | | | | | |
| MD 640 (Will not fit early models with dished-solid rotor) | Front | F | 860 GT/GTS | 75-76 | 310 | | | | | | | MD 651 | Rear | S | BMW | 94-02 | | | | | | | | | |
| | | | 900 GTS | 75-76 | | | | | | | | | | | F 650/650 ST | 93-00 | | | | | | | | | |
| | | | 900 SS Darmah | 76-78 | | | | | | | | | | | F 650 GS/Dakar GS | 99-07 | | | | | | | | | |
| | | | MD 636 X MD 636 XC | Front | | | | | | | | | | | | 996 R | 01 | 320 | MD 652 MD 652 C (Rotor ring only) | Front | S | F 650 GS | 08-11 | | |
| | | | | | | | | | | | | | | | | Daytona 750 (3cyl) | 92 | | | | | F 650 CS (All models) | 00-06 | | |
| | | | MD 641 | Rear | | | | | | | | | | | S | Daytona 1000 (4cyl) | 92 | 255 | | | | MD 642 LS Note: Floating conversion kit available MD 629 LS | Front | S | G 650 Xchallenge |
| | | | | | | Daytona 900 (3cyl) | 93-96 | G 650 Xcountry | | | | | | | | 07-08 | | | | | | | | | |
| | | | | | | Daytona Super III (3cyl) | 94-97 | G 650 GS | | | | | | | | 09 | | | | | | | | | |
| | | | | | | Daytona 1200 (4cyl) | 93-98 | F 650 CS (All models) | | | | | | | | 00-06 | | | | | | | | | |
| | | | | | | Speed Triple (Carb Models) | 94-97 | Adventurer | | | | | | | | 96-01 | | | | | | | | | |
| Sprint (All carb models) | 93-98 | Legend TT | | | 98-01 | | | | | | | | | | | | | | | | | | | | |
| Trophy 900 (3cyl) | 94-01 | Thunderbird | | | 95-03 | | | | | | | | | | | | | | | | | | | | |
| Trophy 1200 (4cyl) | 94-01 | | | | | | | | | | | | | | | | | | | | | | | | |
| MD 642 LS Note: Floating conversion kit available MD 629 LS | Front | S | | | Daytona 750 (3cyl) | 92 | 285 | MD 643 | Rear | S | Legend TT | 98-01 | | | | | | | | | | | | | |
| | | | | | Daytona 1000 (4cyl) | 92 | | | | | Adventurer | 96-01 | | | | | | | | | | | | | |
| | | | Daytona 900 (3cyl) | 93-96 | Bonneville America | 02-06 | | | | | | | | | | | | | | | | | | | |
| | | | Daytona Super III (3cyl) | 94-97 | Speedmaster 800 | 03-04 | | | | | | | | | | | | | | | | | | | |
| | | | Daytona 1200 (4cyl) | 93-98 | Speedmaster (865cc) | 05-08/10-11 | | | | | | | | | | | | | | | | | | | |
| | | | Speed Triple (Carb Models) | 94-97 | Thunderbird | 95-03 | | | | | | | | | | | | | | | | | | | |
| | | | Sprint (All carb models) | 93-98 | Thunderbird Sport | 98-03 | | | | | | | | | | | | | | | | | | | |
| | | | Tiger 885cc | 92-96 | Tiger 955cc (Spoke wheel) | 99-04 | | | | | | | | | | | | | | | | | | | |
| | | | Trident 900 | 92-98 | America (Cast Wheel) 865cc | 06-08 | | | | | | | | | | | | | | | | | | | |
| | | | Trophy 900 (3cyl) | 92 | | | | | | | | | | | | | | | | | | | | | |
| Trophy 1200 (4cyl) | 93-01 | | | | | | | | | | | | | | | | | | | | | | | | |
| MD 643 | Rear | S | Legend TT | 98-01 | 285 | MD 644 LS/RS | Front | | | | S | Tiger | 92-98 | | | | | | | | | | | | |
| | | | Adventurer | 96-01 | | | | CBR 125 R8 (Canada) | 08 | | | | | | | | | | | | | | | | |
| MD 644 LS/RS | Front | S | Tiger | 92-98 | 276 | | | MD 645 | Rear | S | | Triumph Tiger | 92-98 | | | | | | | | | | | | |
| | | | CBR 125 R8 (Canada) | 08 | | | | | | | | | | | | | | | | | | | | | |
| MD 645 | Rear | S | Triumph Tiger | 92-98 | 255 | | | | | | | MD 646 LS MD 646 RS | Front | F | Trident 750 | 92 | | | | | | | | | |
| | | | | | | | | | | | | | | | Trophy 900/1200 | 92 | | | | | | | | | |
| MD 646 LS MD 646 RS | Front | F | Trident 750 | 92 | 296 | | | | | | | | | | MD 647 X MD 647 XC | Front | F | Sprint (All carb models) | 93 | | | | | | |
| | | | Trophy 900 | 92-98 | | | | | | | | | | | | | | Trophy 900 (3cyl) | 92-93 | | | | | | |
| MD 647 X MD 647 XC | Front | F | T595 Daytona | 97 | 320 | | | | | | | | | | | | | | | | Trophy 1200 (4cyl) | 92-93 | | | |
| | | | Daytona 955i | 98-00 | | | | | | | | | | | | | | | | | | | | | |
| MD 647 X MD 647 XC | Front | F | Speed Triple (EFI) | 97-01 | 320 | | | | | | | | | | | | | | | | MD 647 X MD 647 XC | Front | F | T595 Daytona | 97 |
| | | | Sprint RS | 99-04 | | | | | | | | | | | | | | | | | | | | Daytona 955i | 98-00 |
| | | | Sprint ST | 99-04 | | Speed Triple (EFI) | 97-01 | | | | | | | | | | | | | | | | | | |
| | | | | | | Sprint RS | 99-04 | | | | | | | | | | | | | | | | | | |
| | | | | | | Sprint ST | 99-04 | | | | | | | | | | | | | | | | | | |
| | | | | | | | | | | | | | | | | | | | | | | | | | |
| | | | | | | | | | | | | | | | | | | | | | | | | | |
| | | | | | | | | | | | | | | | | | | | | | | | | | |
| | | | | | | | | | | | | | | | | | | | | | | | | | |
| | | | | | | | | | | | | | | | | | | | | | | | | | |
| | | | | | | | | | | | | | | | | | | | | | | | | | |

F = FLOATING ROTOR
S/F = FLOATING CONVERSION FOR FLAT SOLID ROTOR

CODES FOR TYPES
S = FLAT SOLID
D = FLOATING ROTOR CONVERSION FOR DISHED SOLID ROTOR

DISC BUYERS GUIDE

STREETBIKE DISC BUYERS GUIDE

CODES FOR TYPES
S = FLAT SOLID
D = FLOATING ROTOR CONVERSION FOR DISHED SOLID ROTOR

F = FLOATING ROTOR
S/F = FLOATING CONVERSION FOR FLAT SOLID ROTOR

DISC
BUYERS GUIDE

| Disc No | Front /Rear | Type | Models | Dia (mm) | Disc No | Front /Rear | Type | Models | Dia (mm) | |
|------------------------|----------------|------|---|----------|-----------------------|-------------|-------------------------------------|--|----------|-----|
| MD 653 MD 653 C | Rear | S | BMW | 276 | MD 667 | Front | F | Daytona 1000 | 92-95 | 300 |
| | | | R 850 GS 96-00 R 850 R 94-06 R 850 RT 96-01 R 850 RT 06 R 1100 GS 93-99 R 1100 R 93-01 R 1100 S 96-06 R 1100 RT 94-01 R 1150 GS 98-06 R 1150 R 01-06 R 1150 Rockster 03-06 R 1150 RS 01-05 R 1150 RT 00-06 | | MD 669 X MD 669 XC | Front | F | Daytona 955i 01-06 Speedtriple 955cc 02-04 Sprint ST (1050cc) 05-10 Rocket III 2300cc 04-08 Rocket III Classic 07-08 Rocket III Roadstar 11 | | |
| MD 656 | Front/ Rear | F | TRIUMPH | 250 | MD 671 | Rear | S | F 800 R 09-11 F 800 S/ST 06-11 R 1200 GS 04-11 K 1200 S 05-08 K 1200 R 05-09 K 1200 R-Urban (K43) 05-08 K 1200 R-Sport (K43) 07-08 HP2 Enduro 05-09 HP2 Megamoto Nov 07-09 HP2 Sport 08-11 R 1200 RT 05-11 R 1200 ST 03-08 R 1200 GS 02-11 R 1200 S 06-10 R 1200 R (K27) 06-11 K 1300 R 09-11 K 1300 S 09-11 | | |
| | | | T 140 V Bonneville 73-78 T 140 Silver Jubilee Bonneville 77 T 140 E Bonneville 78-83 T 140 D Bonneville 79-81 T 140 ES (750cc) 80-81 T 140 E/ES (750cc) 81-83 T 150 V (Trident 3 cyl) 73-74 T 160 V (Trident 3 cyl) 75 TSS 750 (8 valve) 83 TSX 750 83 | | | | | | | |
| MD 657 LS MD 657 RS | Front | D | Ducati 500/600 Pantah | 79-81 | MD 675 | Front | F | MV (AUGUSTA) | 310 | |
| | Rear | D | Ducati 500 Pantah | 79 | | | | F4 750 (All models) (Nissin Calipers) 99-03 Brutale 750 (All models) (Nissin calipers) 03-05 Brutale 910 S (Nissin calipers) 05-07 Brutale 989 R 08-09 Brutale 990 R 10 F4 1000 (All models) (Nissin Calipers) 04-06 | | |
| MD 657 LS | Rear | D | Ducati 500 Pantah | 79 | MD 675 | Front | F | F4 750 (All models) (Nissin Calipers) 99-03 Brutale 750 (All models) (Nissin calipers) 03-05 Brutale 910 S (Nissin calipers) 05-07 Brutale 989 R 08-09 Brutale 990 R 10 F4 1000 (All models) (Nissin Calipers) 04-06 | | |
| MD 660 LS/RS | Front | F | Aprilia RS 250 | 99-03 | MD 676 | Front | | Tiger 955 (Cast wheel) (From VIN 198875) | 04-06 | |
| MD 661 ABS Models | Rear | F | BMW | 285 | MD 677 | Rear | | Tiger 955 (Cast wheel) (From VIN 198875) | 04-06 | |
| | | | K 75 'S' 85-95 K 75 TY (ABS) 89-96 K 100/2 87-90 K 100 LT 86-91 K 100 RS 83-92 K 100 RT 83-89 K1 88-93 K 1200 RS 96-05 K 1200 GT 03-06 K 1100 RS 92-96 KL 1100 LT 89-99 R 1100 RS 92-01 | | | | | | | |
| MD 662 X MD 662 XC | Front | F | Speedfour 600 02-05 TT 600 00-03 Daytona 650 05 | 310 | MD 678 | Rear | F | VICTORY Victory Vegas 03-07 Victory King Pin 04-07 King Pin Tour 04-07 King Pin - 8 Ball 07 Vegas - 8 Ball 05-07 Ness Signature Series 05-07 Vegas Jackpot 06-07 Hammer 05-07 Hammer S 07-07 | | |
| | Rear | F | Speedfour 600 02-05 TT 600 00-03 Daytona 650 05 | | | | | VICTORY Victory Vegas 03-07 Victory King Pin 04-07 King Pin Tour 04-07 King Pin - 8 Ball 07 Vegas - 8 Ball 05-07 Ness Signature Series 05-07 Vegas Jackpot 06-07 Hammer 05-07 Hammer S 07-07 | | |
| MD 663 | Rear | S | Bonneville 800 01-05 Bonneville T-100 02-09 Scrambler (865cc) 06-11 Sprint RS 99-04 Sprint ST 99-09 Tiger 800 11 Tiger 800 XC 11 Thrupton 900 04-11 Bonneville/Bonneville Black (865cc) 06-08 Bonneville (865cc/cast wheel) 09-11 Bonneville SE (865cc/cast wheel) 09-11 Bonneville T100 (865cc) 10-11 New America (865cc/cast wheel) 10-11 Speed Triple (1050cc) Brembo radial calipers 08-11 Tiger 1050 07-11 Tiger 1050 SE 11 | 255 | MD 679 | Front | F | Tiger 1050 (Radial Caliper) 06-11 Tiger 1050 SE 11 | 320 | |
| | | | MD 664 | | Rear | S | RS 50 Replica 99-05 RS 125 06-10 | | | |
| MD 666 X MD 666 XC | Front | F | RSV 1000 'Mille'/SP 98-01 SL 1000 "Falco" 00-05 | 320 | MD 680 | Front | F | KTM 950 Superenduro 05-08 950 Supermoto R 07-08 990 SM-T/SM-R 09-11 | 305 | |

All part numbers, prefixes and suffixes shown in this catalog are unique and form a registered copyright as the property of EBC Brakes and its UK trademark owners

STREETBIKE DISC BUYERS GUIDE

| Disc No | Front /Rear | Type | Models | Dia (mm) | Disc No | Front /Rear | Type | Models | Dia (mm) |
|------------------------|-------------|------|--|----------|-----------------------|-------------|------|--|----------|
| MD 681 | Rear | S | KTM | 240 | MD 695 | Rear | S | DUCATI | 245 |
| | | | 690 Duke 08-11 690 Supermoto 02-08 950 SM 05-07 950 SMR 07-08 Superduke 990 05-11 990 Superduke R 07-11 990 SM-T/SM-R 09-11 | | | | | 1098 07-08 1098 S 07-08 1098 S Tricolore (1099cc) 07 1098 R 08-09 Streetfighter (1099cc) 09-11 Streetfighter S (1099cc) 09-11 1198 09-11 1198 S 09-10 1198 SP 11 1198 R Corse Special Edition 11 | |
| MD 682 LS MD 682 RS | Front | S | Multistrada 1000 DS/S 1000 DS (992cc) 03-06 Multistrada 1100 (1078cc) 07-09 Multistrada 1100 S (1078cc) 07-09 | 320 | MD 696 | Rear | S | MV (AUGUSTA) | 210 |
| MD 687 | Front | S | R 1100 S 96-11/00 HP Enduro 07-09 R 1200 GS 02-07 | 305 | | | | F4 750 (All models) (Nissin Calipers) 99-03 Brutale 750 (All models) (Nissin calipers) 03-05 Brutale 910 S (Nissin calipers) 05-07 Brutale 910 R (Brembo calipers) 05-07 Brutale 989 R 08-09 Brutale 990 R 10 F4 (998cc) 10 F4 1000 (All models) (Nissin Calipers) 04-06 F4R 1000 (Brembo calipers) 06-07 F4RR 312R 1000 Brembo calipers 07 F4 1000cc (1078cc) 07 Brutale 1078 RR 08-09 F4 RR 312 1078cc 08-09 Brutale 1090 RR 10 | |
| MD 688 | Rear | S | K 1200 GT (K44) 06-08 K 1300 GT (Touring) 09-11 | 294 | MD 699 | Rear | S | Rocket III 04-09 Rocket III Roadstar 11 | 316 |
| MD 689 MD 689 C | Rear | S | ATK GT 250 R V-Twin Sport 11 GT 650 R V-Twin Sport 11 HYOSUNG GT 250 R 06-11 GT 250 06-11 GT 650 R 06-11 GT 650 S 06-11 GT 650 06-11 UM V2S-650 06-07 | 220 | MD 714 X | Front | S/F | EX 500 A1-A7 87-93 EX 500 D1/D2/D3/D4/D5/D6 94-99 | 280 |
| MD 690 MD 690 C | Front | F | ATK GT 250 R V-Twin Sport 11 GT 650 R V-Twin Sport 11 HYOSUNG GT 250 R 06-11 GT 250 06-11 GT 650 R 06-11 GT 650 S 06-11 GT 650 06-11 UM V2S-650 06-07 | 300 | MD 719 RS | Front | F | Buell All twin models (Countersunk screw fixing) 98-00 | 340 |
| MD 691 | Front | F | HYOSUNG GV 650 V-Twin Cruiser 11 HYOSUNG GV 650 06-09 UM V2C-650 06-08 | 300 | MD 727 | Front | F | Victory V92/SC 98-03 | 300 |
| MD 692 | Rear | S | MOTO GUZZI V11 Sport/Scura/Naked 99-00 V11 Le Mans Series 01-06 California Stone Series 02-06 California EV/Special Series 02-06 California Vintage 750 06-10 Norge 1200 06-11 Stevlio 1200 (4V/ABS) 09-11 | 282 | MD 727 | Rear | F | Victory V92/SC 98-03 | 300 |
| MD 694 X MD 694 XC | Front | F | DUCATI 1098 07-08 1098 S 07-09 1098 S Tricolore (1099cc) 07 1098 R 08-09 Streetfighter (1099cc) 09-11 Streetfighter S (1099cc) 09-11 1198 09-11 1198 S 09-10 1198 SP 11 1198 R Corse Special Edition 11 | 330 | MD 734 RS | Front | F | Buell (All models counterbored fixing) 02 | 340 |
| | | | | | MD 800 X MD 800 XC | Front | F | Daytona 675 06-11 Street Triple R 675 (Radial caliper) 09 675 R (Brembo calipers) 11 | 308 |
| | | | | | MD 801 | Front | S | CAN-AM Spyder SM5 GS990 (3 wheeler) 08-11 Spyder SE5 GS990 (3 wheeler) 08-11 | 260 |
| | | | | | MD 802 | Rear | S | CAN-AM Spyder SM5 GS990 (3 wheeler) 08-11 Spyder SE5 GS990 (3 wheeler) 08-11 | 260 |
| | | | | | MD 803 | Front | S | F 800 S/ST 06-08 R 1100 S (Non ABS) 12/00-06 R 1200 RT 05-10 R 1200 ST 03-08 R 1200 S 06-11/07 HP2 Megamoto Loose bobbins Nov 07 | 320 |
| | | | | | MD 804 | Front | S | K 1200 R-Sport (K43) 07-08 K 1200 R 11/05-11/07 R 1200 R (K27) 06-11/07 | 320 |
| | | | | | MD 809 MD 809 C | Front | S | G650 Xchallenge 07-09 G 650 Xcountry 07-09 | 300 |
| | | | | | MD 810 C | Rear | S | G650 Xchallenge 07-09 | 240 |
| | | | | | MD 812 C | Rear | S | 1190 R RC8 09-11 1190 RC8 08-11 | 220 |

F = FLOATING ROTOR
S/F = FLOATING CONVERSION FOR FLAT SOLID ROTOR

CODES FOR TYPES
S = FLAT SOLID
D = FLOATING ROTOR CONVERSION FOR DISHED SOLID ROTOR

DISC BUYERS GUIDE

STREETBIKE DISC BUYERS GUIDE

CODES FOR TYPES
S = FLAT SOLID
D = FLOATING ROTOR CONVERSION FOR DISHED SOLID ROTOR

F = FLOATING ROTOR
S/F = FLOATING ROTOR CONVERSION FOR FLAT SOLID ROTOR

DISC
BUYERS GUIDE

| Disc No | Front /Rear | Type | Models | Dia (mm) | Disc No | Front /Rear | Type | Models | Dia (mm) |
|---------------------------------|-------------|------|---|----------|----------|-------------|------|--|----------|
| MD 814 | Rear | S | DAELIM Roadwin 125 04-09 | 220 | MD 910 D | Front | S | ET2 50cc 97-05 ET4 150cc 99-05 PIAGGIO Fly 50 05-11 Fly 150 (Fly 150) 05-11 VESPA LX 50 05-11 S 50 4T/4V 08-11 PX 150 (All models) 05-06 LX 150 05-11 LXV 150 IE 10-11 S 150 08-11 | 200 |
| MD 817 X MD 817 XC | Front | F | Sprint GT (1050cc/ABS) 10-11 | 320 | MD 915 D | Front | S | Yesterday 98-03 F10 Fast Time 02-03 | 155 |
| MD 818 Fixed bobbins | Front | S | BMW R 1200 GS Adventure/M 06-11 R 1200 GS/M 06-11 | 305 | MD 917 D | Front | S | Scarabeo Street 50 99-05 | 220 |
| MD 820 | Rear | S | TRIUMPH Sprint GT (1050cc/ABS) 10-11 | 255 | MD 922 D | Front | S | NSS 250/250 A/A5 Reflex 01-07 PS 250 Big Ruckus 05-06 | 240 |
| MD 821 | Front | S | Bonneville (865cc/cast wheel) 09-11 Bonneville SE (865cc/cast wheel) 09-11 New America (865cc/cast wheel) 10-11 | 310 | MD 923 D | Front | S | CW 50 M/N Zuma II 00-01 Delivery 50 (From F. No 609100) 06-08 X-peed 50/Special Edition 00-05 Zyclone 50 04-05 Thunderbike 150 07-08 | 190 |
| MD 821 X Floating conversion | Front | F | Bonneville (865cc/cast wheel) 09-11 Bonneville SE (865cc/cast wheel) 09-11 New America (865cc/cast wheel) 10-11 | 310 | MD 924 D | Front | S | Boulevard 150 03-05 Sport City 50 (4T) 08-11 | 220 |
| MD 822 | Front | S | Bonneville T100 (865cc) 10-11 Speedmaster (865cc) 10-11 | 310 | MD 925 D | Front | S | Speedfight 2 Torero 50 02-05 Elyseo 50 03-05 Elyseo 100 03-05 Speedfight X-Race 50 LNDP/100 NP 03-05 | 180 |
| MD 823 Fixed bobbins | Front | S | BMW HP2 Megamoto Dec 07-09 F 800 R 09-11 F 800 S/ST 09-11 HP2 Sport 08-11 | 320 | MD 925 D | Rear | S | Speedfight X-Race 50 LNDP/100 NP 03-05 | 180 |
| MD 824 Fixed bobbins | Front | S | BMW K 1200 R 12/07-10 | 320 | MD 931 D | Front | S | NHX 110 Elite 10-11 | 190 |
| MD 825 | Front | F | Thunderbird Storm (1700cc) 11 | 310 | MD 933 D | Front | S | SYM Mio 50 05-11 | 160 |
| MD 826 Fixed bobbins | Front | S | BMW S 1000 RR 10-11 R 1200 R (K27) 12/07-11 K 1300 R 09-11 K 1600 GT 11 K 1600 GTL 11 | 320 | MD 935 D | Front | S | SYM DD 50 02-08 | 155 |
| MD 830 Fixed bobbins | Front | S | BMW K 1200 GT K44 06-08 K 1200 S 12/07-08 K 1300 S 09-11 K 1300 GT (Touring) 09-11 | 320 | MD 941 D | Front | S | Dragster 50 98-03 Formula 50 (Air Cooled) 99-03 Formula 50 (Liquid Cooled) 96-03 Formula 125 LC 96-03 | 175 |
| MD 831 | Rear | S | Thunderbird Storm (1700cc) 11 | 310 | MD 942 D | Rear | S | Scarabeo 150 99-06 Scarabeo 125/200 GT 04 Scarabeo 250 06-08 Sport City 250 07-11 Sport City Cube 250 08-09 | 220 |
| MD 832 | Rear | S | S 1000 RR 10-11 | 220 | MD 943 D | Front /Rear | S | DERBI Atlantis 50 02-06 GP1 50 02-06 APRILIA Rally 50 (Air Cooled) 04-05 Mojito Retro 50 04-05 Scarabeo 50 Ditech (Rear disc model) 02-08 SR 50 Ditech/R 99-11 Mojito Custom 50 04-06 Mojito Custom 150 05-08 | 190 |
| MD 901 D | Front/Rear | S | BETA Eikon 50 Team 02-03 PEUGEOT Vivacity X-Race 50/Pulsa 50 02-05 Metal-X 02-05 Trekker 50 02-05 Elyseo 50 03-05 Jet Force 50 03-05 Ludix 50 (14" wheels) Elegance/Ambition 04-05 Ludix 125 04-05 MALAGUTI F15 Firefox 02-03 F12 Phantom (A/C) 98-03 Phantom F12 98-03 F15 Firefox (L/C) 04 | 190 | MD 945 D | Front | S | Scarabeo 50 Ditech (Rear disc model) 02-08 Scarabeo 100 4T 04-11 | 220 |
| MD 904 D | Front | S | Ludix 50 (10" wheels) Trend/One/Snake/Bullet 04 Fox 50 07-08 CW 50 L/TL Zuma/Zuma II 99 | 155 | MD 946 D | Front | S | Phantom F12 98-03 F12 Phantom (A/C) 98-03 F15 Firefox (L/C) 04 | 200 |
| MD 908 D | Front | S | CN 250 Helix 86-87 CN 250 Helix 92-01/05-07 | 186 | MD 947 D | Front | S | Elyseo 100 03-05 Elystar 50 P 03-05 | 226 |

All part numbers, prefixes and suffixes shown in this catalog are unique and form a registered copyright as the property of EBC Brakes and its UK trademark owners

STREETBIKE DISC BUYERS GUIDE

| Disc No | Front /Rear | Type | Models | Dia (mm) | Disc No | Front /Rear | Type | Models | Dia (mm) | | |
|----------|---------------|--------|--|--|---------|-------------|--------|--------|---|----------------------------------|-----|
| MD 948 D | Rear | S | Dragster 50 LC | 96-03 | 190 | MD 974 D | Rear | S | 150/250 Bet & Win Yager GT 200 i Grand Vista 250 | 02-08 09-10 04-10 | 200 |
| MD 950 D | Front | S | Formula 50 (Liquid Cooled) Formula 125 LC | 96-03 96-03 | 175 | MD 977 D | Front | S | Elyseo 125/150 | 03-05 | 226 |
| MD 951 D | Front | S | Torpedo 50 Torpedo 125 4T Torpedo 150 | 98-03 99-03 03 | 220 | MD 978 D | Rear | S | Elystar 50 P Elyseo 125/150 Elystar 125/150 P Jet Force 125 EFI/Compressor | 03-05 03-05 03-05 03-05 | 210 |
| MD 952 D | Front | S | Scarabeo 150 Scarabeo 125/250 GT Sport City 125 (4T) Scarabeo 200 Sport City 250 Sport City Cube 250 Scarabeo 250 Atlantic 500 Scarabeo 500/ie | 99-06 04-05 08-11 08-11 07-11 08-09 06-08 03-05 03-11 | 260 | MD 980 D | Front | S | Elystar 125/150 P | 03-05 | 226 |
| MD 954 D | Front | S | Looxor 50 | 02-05 | 226 | MD 981 D | Front | S | Super 9 AC | 02-09 | 180 |
| MD 955 D | Front | S | Ciak 50 Ciak 150 | 02-03 02-03 | 230 | MD 982 D | Rear | S | Thunderbike 150 | 07-08 | 165 |
| MD 956 D | Front /Rear | S | PIAGGIO LT 50 LT 150 GT 200 L Granturismo VESPA GT 60 (250cc Ltd Edition) GTS 250 GTV 250 LXV 250 GTS 300 GTS 300 Super GTV 300 | 97-05 98-05 05-08 06-08 05-08 07-08 07-08 08-11 10-11 10-11 | 220 | MD 983 D | Front | S | X9 500 Evolution | 05-09 | 260 |
| MD 960 D | Rear | S | PIAGGIO MP3 (250cc) MP3 400ie MP3 500 X9 500 Evolution BV 500 | 07-11 07-11 07-11 05-09 06-11 | 240 | MD 986 D | Front | S | YW 125 Y/Z/A Zuma/BWIS | 09-11 | 220 |
| MD 961 D | Front /Rear | S | PIAGGIO BV 200 BV 250 BV 500 | 02-06 06-11 06-11 | 260 | MD 987 D | Front | S | AN 650 K3 | 03 | 260 |
| MD 964 D | Front/Rear | S | Predator Atlantis Bullet/City HUSQVARNA WRS 50 Scooter | 99-01 02-05 98-00 | 190 | MD 989 D | Front | S | KYMCO People 50 (2T) People S 50/125 People 150 People S 200 | 02-10 05-09 07-10 05-10 | 225 |
| MD 968 D | Front Rear | S S | BMW C1 125 C1 200 C1 125 C1 200 | 99-03 01-03 99-03 01-03 | 220 | MD 990 D | Rear | S | Atlantic 500 Scarabeo 500/ie | 03-05 03-11 | 220 |
| MD 970 D | Front | S | SH 150i | 10-11 | 220 | MD 994 D | Front | S | AN 400 K3/K4/K5/K7/K8/K6/SK6/K9 /AK9/AL0 Burgman AN 650 K4/AK4/K5/AK5/K6/AK6/K7/AK7 /K8/AK8/K9/AK9/AL1 | 03-11 04-11 | 260 |
| MD 971 D | Front/Rear | S | Agility 50 (4T) Cobra 50/Cobra Cross Sting 50 (2T) Vitality 50 (4T) Yup 50 Super 9 LC/AC ZX 50 Super Fever Agility 125 | 05-11 02-04 07-11 05-08 02-06 02-09 02-04 06-11 | 180 | MD 998 D | Rear | S | AN 650 K4/AK4/K5/AK5/K6/AK6/K7/AK7 /K8/AK8/K9/AK9/AL1 | 04-11 | 250 |
| MD 973 D | Front | S | 150/250 Bet & Win Grand Vista 250 | 02-08 04-10 | 220 | MD 9100 D | Front/ | S | People 250 SH 50 DF | 03-08 | 260 |
| | | | | | | MD 9102 D | Front | S | YP 400 T/V/W/X/Y/Z | 05-10 | 267 |
| | | | | | | MD 9103 D | Rear | S | YP 400 T/V/W/X/Y/Z | 05-10 | 267 |
| | | | | | | MD 9107 D | Front | S | CP 250 V/W/X Morphus | 06-08 | 245 |
| | | | | | | MD 9108 D | Rear | S | CP 250 V/W/X Morphus | 06-08 | 245 |
| | | | | | | MD 9109 D | Rear | S | AN 400 K7/K8/K9/AK9/AL1 Burgman | 07-11 | 210 |
| | | | | | | MD 9112 D | Front | S | MP3 (250cc) MP3 400ie (Three wheeler) MP3 500 (Three wheeler) | 07-11 07-11 07-11 | 240 |
| | | | | | | MD 9116 D | Front | S | Jet Euro X 50 | 99-11 | 190 |
| | | | | | | MD 9126 D | Front | S | PIAGGIO Typhoon 50/SE Typhoon 50 | 06 07-08 | 190 |
| | | | | | | MD 9128 C | Front | F | KYMCO Downtown 300i | 10-11 | 260 |
| | | | | | | MD 9129 D | Rear | S | KYMCO Downtown 300i | 10-11 | 240 |
| | | | | | | MD 9134 D | Front | S | PCX 125 | 11 | 220 |

F = FLOATING ROTOR
S/F = FLOATING CONVERSION FOR FLAT SOLID ROTOR

CODES FOR TYPES
S = FLAT SOLID
D = FLOATING ROTOR CONVERSION FOR DISHED SOLID ROTOR

DISC
BUYERS GUIDE

STREETBIKE DISC BUYERS GUIDE

CODES FOR TYPES
S = FLAT SOLID
D = FLOATING ROTOR CONVERSION FOR DISHED SOLID ROTOR

F = FLOATING ROTOR
S/F = FLOATING CONVERSION FOR FLAT SOLID ROTOR

DISC
BUYERS GUIDE

| Disc No | Front /Rear | Type | Models | Dia (mm) | Disc No | Front /Rear | Type | Models | Dia (mm) | | |
|---|---------------|------------------------------------|---|---------------|---------|--------------------------|----------|---------------------|--|-------------|-----|
| MD 1001 | Rear Front | S | CBR 1000 F Hurricane | 87-88 | MD 1016 | Rear | S | NT 700 V/VA (ABS) | 10-11 | | |
| | | S | GB 500 | 89-90 | | | CB 1000 | 94-95 | | | |
| | | | CBR 600 F Hurricane | 87-90 | | | | | CBR 1000 F | 90-91 | |
| | | | CBR 600 F2 | 91-94 | | | | | VT 1100 C2 American Classic Edition/C2-2/C3 | 95-02 | |
| | | | CB 650 SC Nighthawk | 83-85 | | | | | VT 1100 C2 Shadow American Classic Tourer | 98-02 | |
| | | | CB 700 SC/S Nighthawk | 84-86 | | | | | VT 1100 C2 Shadow Sabre | 00-07 | |
| | | | VF 700 F Interceptor | 84-85 | | MD 1020 | Rear | S | CB-1 (CB 400 F) | 89-90 | |
| | | | VFR 700 F/F2 Interceptor | 86-87 | | | | | CB 900 F (919) | 02-07 | |
| | | | VF 700 S Sabre | 84-85 | | MD 1021 LS | Front | S/F | NT 650 Hawk GT | 88-91 | |
| | | | VF 750 V45 Interceptor | 83-84 | | MD 1021 RS | | | CB 750 Nighthawk | 91-03 | |
| | | | VFR 750 F Interceptor | 86 | | | | | VF 750 C Magna/Magna Delux CD/C2 | 94-03 | |
| | | | VF 750 S Sabre | 82-83 | | | | | ST 1100 | 91-02 | |
| | | | PC 800 Pacific Coast | 89-90/94-98 | | | | | ST 1100 A | 95 | |
| | | | VF 1000 F Interceptor | 84 | | MD 1022 | Rear | S | NT 650 Hawk GT | 88-91 | |
| | | VF 1100 S V65 Sabre | 84-85 | | | | | | | | |
| | | CB 1100 F Supersport | 83 | MD 1024 LS/RS | Front | | Use 1001 | | | | |
| MD 1002 | Rear | S | CBR 600 F Hurricane | 87-90 | 220 | | | | | | |
| MD 1003 X MD 1003 XC MD 1003 CC (Check bolt PCD with 1014 LS/RS) | Front | F | CBR 600 F3/SJR/SE | 95-98 | 296 | MD 1030 | Front | S | CMX 250 C Rebel | 96/97/99-11 | 240 |
| | | | VFR 750 F | 94-97 | | | | CMX 250 C/CD Rebel | 85-87 | | |
| | | | VFR 800 Fi-W | 98-99 | | | | CMX 250 C2 | 99-00 | | |
| | | | CBR 900 RR Fireblade (Hub bolt PCD 74mm) | 95-97 | | | | | | | |
| | | | VTR 1000 F Superhawk | 98-05 | | | | | | | |
| MD 1004 MD 1004 C | Rear | S | NSS 250/250 A/A5 Reflex | 01-07 | 220 | MD 1036 LS MD 1036 RS | Front | D | CB 250 N/T | | |
| | | | 599 (CB 600 F) | 04/06 | | | | | CM 250 T | | |
| | | | CBR 600 F2 | 91-94 | | | | | CB 400 T Hawk | 80-81 | |
| | | | CBR 600 F3/SJR/SE | 95-98 | | | | | CM 400 A/T | 79-81 | |
| | | | CBR 600 F4 | 99-03 | | | | | CM 400 C Custom | 81 | |
| | | | CBR 600 F4i Sport | 01-06 | | | | | CB 450 T Hawk | 82 | |
| | | | CBR 600 RR/RRA | 03-11 | | | | | CB 450 SC Nighthawk | 82 | |
| | | | CBR 900 RR Fireblade | 93-00 | | | | | CM 450 C Custom | 82 | |
| | | | CBR 929 RR (929cc model) | 00-01 | | | | | CM 450 A Hondamatic | 82 | |
| | | | CBR 954 RR | 02-03 | | | | | CB 650 | 79-81 | |
| | | | CBR 1000 RR/RRA | 04-11 | | | | | CB 650 C Custom | 80-81 | |
| | | | CBR 1000 RA/RAA | 09-11 | | | | | CB 650 SC Nighthawk | 82 | |
| | | | VTR 1000 F Super Hawk | 98-05 | | | | | CB 750 C Custom | 81-82 | |
| | | | RVT 1000 R (RC5I) | 00-06 | | | | | CB 750 F Supersport | 79-82 | |
| | | CB 750 SC Nighthawk | 82-83 | | | | | | | | |
| | | CB 900 C Custom | 80-82 | | | | | | | | |
| | | CB 900 F Supersport | 81-82 | | | | | | | | |
| | | CBX | 79-80 | | | | | | | | |
| | | GL 1000 Goldwing | 79 | | | | | | | | |
| | | GL 1100/1100 I Goldwing | 80 | | | | | | | | |
| | | GL 1100/1100 I Goldwing/Interstate | 81-83 | | | | | | | | |
| MD 1006 C | Rear | S | VF 500 F Interceptor | 84-86 | 256 | MD 1038 RS | Front | F | CB-1 (CB 400F) | 89-90 | 310 |
| | | | FSC 600/D Silverwing | 02-06 | | | | | | | |
| | | | VFR 700 F/F2 Interceptor | 86-87 | | | | | | | |
| | | | VFR 750 F Interceptor | 86 | | | | | | | |
| | | | CBR 1000 F | 93-99 | | | | | | | |
| | | | XL 1000 VA8 Varadero (Canada) | 08 | | | | | | | |
| | | | CBR 1100 XX Blackbird | 97-03 | | | | | | | |
| MD 1006 LS/RS | Front | S | VF 500 F Interceptor | 84-86 | 256 | MD 1039 | | | Use MD1020 | | |
| MD 1007 | Rear | S | VFR 750 F | 90-98 | 256 | MD 1040 LS MD 1040 RS | Front | S | CB 450 SC Nighthawk | 83-86 | 276 |
| | | | VFR 800 Fi/Interceptor | 98-99 | | | | | | | |
| MD 1008 | Front | S | NT 700 V/VA (ABS) | 10-11 | 296 | | | | GL 650 Silverwing/GL 650 Silverwing Interstate | 83 | |
| | | | VFR 750 F | 90-93 | | | | VF 700 C Magna | 85-86 | | |
| | | | CBR 1000 F (Hurricane) | 87-88 | | | | VT 700 C Shadow | 84-85 | | |
| | | | CBR 1000 F | 90-91/93-99 | | | | VF 750 C V45 Magna | 82-83 | | |
| | | | ST 1100 A | 96-02 | | | | VT 750 C Shadow | 83 | | |
| MD 1010 LS/RS | Front | F | VFR 750 R (RC 30) | 90 | 310 | | | CB 1000 C Custom | 83 | | |
| | | | | | | | | VF 1100 C V65 Magna | 83-86 | | |
| | | | | | | | | VT 1100 C Shadow | 85-86 | | |
| MD 1011 | Rear | S | VFR 750 R (RC 30) | 90 | 220 | MD 1041 LS | Front | S | CMX 450 C Rebel | 86-87 | 276 |
| MD 1012 LS/RS | Front | F | RVF 750 R (RC45) | 94-95 | 310 | MD 1046 | | | Use MD1082 | | |
| MD 1013 | Rear | S | RVF 750 R (RC45) | 94-95 | 220 | | | | | | |
| MD 1014 X MD 1014 XC MD 1014 CC (Check bolt PCD with 1003 LS/RS) | Front | F | CBR 600 F4 | 99-00 | 296 | | | | | | |
| | | | CBR 900 RR Fireblade (Hub bolt PCD 78mm) | 93-94 | | | | | | | |
| | | | VFR 800 Fi/Interceptor | 98-05 | | | | | | | |
| | | | XL 1000 VA8 Varadero (Canada) | 08 | | | | | | | |
| | | | GL 1500 Valkyrie All models | 97-03 | | | | | | | |
| | | | GL 1800/1800 ABS (All models) | 01-11 | | | | | | | |

All part numbers, prefixes and suffixes shown in this catalog are unique and form a registered copyright as the property of EBC Brakes and its UK trademark owners

STREETBIKE DISC BUYERS GUIDE

| Disc No | Front /Rear | Type | Models | Dia (mm) | Disc No | Front /Rear | Type | Models | Dia (mm) | | | | | | |
|-----------------|-------------|---------|------------------------------------|--------------|---------------|-----------------------|---------|--|-----------------------------------|---------|---------|------------------------|-------|--|-------|
| MD 1047 LS | Front | S | VT 500 FT Ascot | 83-84 | MD 1083 LS/RS | Front | D | GL 1200/1200/1200 A Goldwing (5mm rotor) | 84-85 | | | | | | |
| | | | VT 500 C Shadow | 83-86 | | | | Use MD1133 | | | | | | | |
| | | | VF 500 C V30 Magna | 84-85 | | | | | | | | | | | |
| | | | CB 550 SC 'Nighthawk' | 83 | | | | | | | | | | | |
| | | | VLX 600 Shadow (VT 600 C/CD) | 88-93 | | | | | | | | | | | |
| | | | VT 600 C/CD/C2D Shadow VLX/Deluxe | 94-07 | | | | | | | | | | | |
| | | | CX 650 C Custom | 83 | | | | | | | | | | | |
| VT 700 C Shadow | 86-87 | MD 1101 | Front | S | Venox 250 | 00-07 | 316 | | | | | | | | |
| VT 800 C Shadow | 88 | | MD 1120 | Front | F | CBR 1100 XX Blackbird | 97-98 | 310 | | | | | | | |
| MD 1048 | Rear | F | | FT 500 Ascot | 82-83 | 296 | MD 1123 | | Use MD1004 | | | | | | |
| | | | MD 1052 LS | Front | D | CB750 C Custom | | | | 80 | MD 1125 | Front | D | GL 1200 L/1200 I/1200 A/GL 12SE-i Goldwing | 85-87 |
| MD 1052 RS | | | CB 750 L "Ltd Edition" | 79 | MD 1126 | Front | S | GL 1500 Goldwing All models | 88-89 | MD 1127 | | | | Rear | S |
| | | | CB 750 K | 79-82 | | | | | | | | GL 1500 SE/A//Goldwing | 90-00 | | |
| MD 1054 LS/RS | | | Use MD1001 | | MD 1128 LS/RS | | | Use MD1126 | | | | | | | |
| MD 1056 | Front | F | CB 1000 | 94-95 | 310 | MD 1131 LS | Front | F | FT 500 Ascot | 82-83 | 296 | | | | |
| MD 1059 LS | Front | S | VF 700 C Magna | 87 | 316 | MD 1133 | Front | F | GL 1100 A Goldwing Aspencade | 82-83 | 296 | | | | |
| | | | VF 750 C V45 Magna | 88 | | MD 1134 X | Front | F | CBR 900 RR Fireblade | 98-99 | 310 | | | | |
| MD 1061 LS | | | Use MD1047LS | | MD 1134 XC | | | MD 1134 CC | | | | | | | |
| MD 1062 LS | Front | D | CB 750 F 'Supersport' | 75-76 | 296 | MD 1135 | Rear | S | ST 1100 A | 96-02 | 296 | | | | |
| | | | CB 750 K/K1/K2/K3/K4/K5/76 | 70-78 | | MD 1136 | Front | F | CBR 1100 XX Blackbird | 99-03 | 310 | | | | |
| MD 1064 | Rear | D | CB 750 F 'Supersport' | 75-78 | 296 | MD 1137 X | Front | F | CBR 929 RR (929cc model) | 00-01 | 330 | | | | |
| | | | GL 1000 Goldwing All models | 75-79 | | MD 1137 XC | | | CBR 954 RR (954cc) | 02-03 | | | | | |
| MD 1065 | | | Use MD1071 | | MD 1138 X | | | MD 1138 XC | | | | | | | |
| MD 1068 | Rear | S | VF 700 F Interceptor | 84 | 296 | MD 1138 CC | Front | F | RVT 1000 R (RC5I) | 00-06 | 320 | | | | |
| | | | VF 750 V 45 Interceptor | 83-84 | | MD 1139 | Front | F | 599 (CB 600 F) | 04/06 | 296 | | | | |
| | | | CB 1100 F Supersport | 83 | MD 1141 X | Front | F | CBR 600 Sport F4i | 01-06 | 296 | | | | | |
| MD 1069 LS/RS | | | Use MD1001 | | MD 1141 XC | | | MD 1141 CC | | | | | | | |
| MD 1071 | Rear | D | CB 750 F Supersport | 79-80 | 296 | MD 1146 | Front | S | VF 1000 R | | 85-86 | 276 | | | |
| | | | CB 900 C Custom | 80-81 | | MD 1148 | Rear | S | GL 1500 CF/CD Valkyrie All models | | 00-02 | 316 | | | |
| | | | CBX | 79-80 | | | | VTX 1800 C/C1/C2/C3 | 02-08 | | | | | | |
| | | | GL 1100/1100 I Goldwing | 80 | | | | VTX 1800 R | 02-08 | | | | | | |
| | | | GL 1100/1100 I Goldwing/Interstate | 81 | | | | VTX 1800 S | 02-07 | | | | | | |
| MD 1073 | | | Use MD1078 | | MD 1149 | | | FSC 600 Silverwing All models | | 02-11 | 240 | | | | |
| MD 1074 LS/RS | Front | F | GL 1000 K/76/L Goldwing | 75-76 | 276 | MD 1151 | Rear | S | CBR 125 R8 (Canada) | 08 | 220 | | | | |
| MD 1075 | | | Use MD1068 | | MD 1152 X | | | MD 1152 XC | | | | | | | |
| MD 1077 | Rear | S | ST 1100 | 91-02 | 316 | MD 1152 CC | Front | F | CBR 600 RR/RRA | 03-11 | 310 | | | | |
| | | | ST 1100 A | 95 | | MD 1153 X | Front | F | CBR 1000 RR | 04-05 | 310 | | | | |
| | | | GL 1500 'Valkyrie'/CT Tourer | 97-99 | | | | | | | | | | | |
| | | | GL 1500/1500SE/A/I Goldwing | 90-00 | | | | | | | | | | | |
| MD 1078 | Rear | S | VF 1100 C V65 Magna | 83-86 | 296 | | | | | | | | | | |
| | | | CB 1000 C Custom | 83 | | | | | | | | | | | |
| MD 1079 | Rear | S | VF 700 F Interceptor | 85 | 276 | | | | | | | | | | |
| | | | VF 1000 Interceptor | 84 | | | | | | | | | | | |
| | | | VF 1100 S V65 Sabre | 84-85 | | | | | | | | | | | |
| MD 1080 RS | Front | F | VT 1100 C Shadow/Shadow Spirit | 87-94 | 336 | | | | | | | | | | |
| MD 1082 | Rear | D | GL 1200 All models | 84-87 | 296 | MD 1153 XC | Front | F | CBR 1000 RR | 04-05 | 310 | | | | |
| | | | CB 750 F Supersport | 81-82 | | MD 1153 CC | | | | | | | | | |
| | | | CB 900 C Custom | 82 | | | | | | | | | | | |
| | | | CB 900 F Supersport | 81-82 | | | | | | | | | | | |
| | | | CBX | 81-82 | | | | | | | | | | | |
| | | | GL 1100/1100 I Goldwing/Interstate | 82-83 | | | | | | | | | | | |
| | | | GL 1100 A Goldwing Aspencade | 82-83 | | | | | | | | | | | |

F = FLOATING ROTOR
S/F = FLOATING ROTOR CONVERSION FOR FLAT SOLID ROTOR

CODES FOR TYPES
S = FLAT SOLID
D = FLOATING ROTOR CONVERSION FOR DISHED SOLID ROTOR

DISC BUYERS GUIDE

STREETBIKE DISC BUYERS GUIDE

CODES FOR TYPES
S = FLAT SOLID
/D = FLOATING ROTOR CONVERSION FOR DISHED SOLID ROTOR

F = FLOATING ROTOR
S/F = FLOATING ROTOR CONVERSION FOR FLAT SOLID ROTOR

DISC
BUYERS GUIDE

| Disc No | Front /Rear | Type | Models | Dia (mm) | Disc No | Front /Rear | Type | Models | Dia (mm) | |
|---------------------------------------|-------------|------|---|-----------|--|-------------|------|--|--|------------------------|
| MD 1154 X MD 1154 XC | Front | F | ST 1300/1300 A | 02-11 310 | MD 2001 X MD 2001 XC MD 2001 CC | Front | F | FZR 400 RRSP/RR | 91-92 | |
| MD 1157 X MD 1157 XC | Front | F | VFR 800 A/Interceptor ABS | 02-11 296 | | | | FZR 600 W/WC | 89 | |
| MD 1158 RS | Front | S | VTX 1300 S | 03-07 336 | | | | FZR 600 AC/RA/RAC/RBC/RD/RE/REC/RF/RFC | RG/RGC/RH/RHC/RJ/RJC/RK/RKC/RL/RLC 90-00 | 95-96 |
| MD 1159 | Front | S | VTX 1300 C | 04-11 | | | | YZF 600 RG/RGC/RH/RHC | 92-93 | |
| | | | VTX 1300 R | 05-11 | TDM 850 D/DC/E/EC | 92-93 | | | | |
| MD 1159 | Rear | S | VTX 1300 T | 08-11 | FJ 1200 W/WC/A/B/AD/ADC/AE/AEC/D/DC89-92 | 90-91 | | | | |
| | | | VT 750 RS Shadow | 10-11 | APRILIA | | | | | |
| MD 1159 | Rear | S | VT 750 Shadow Phantom | 10-11 | RST 1000 Futura | 01-05 | | | | |
| | | | VT 750 Shadow Aero | 08-11 | DUCATI | | | | | |
| | | | VT 750 C/CD/CD2 Shadow/Shadow Deluxe | 98-02 | 900 Supersport | 89-90 | | | | |
| | | | VT 750 CDA/CDB/CDC/CDD Shadow | | 907 IE | 90-91 | | | | |
| | | | American Classic Edition 750 Deluxe | 02-05 | | | | | | |
| | | | VT 1300 CXA Fury (Non ABS Model) | 10-11 | | | | | | |
| | | | VT 1300 CXAA Fury (ABS Model) | 10-11 | | | | | | |
| | | | VT 1300 Sabre/Sabre ABS | 10-11 | | | | | | |
| | | | VT 1300 Stataline/Stataline ABS | 10-11 | | | | | | |
| | | | VT 1300 Interstate | 10-11 | | | | | | |
| | | | VTX 1300 S | 03-07 | | | | | | |
| | | | VTX 1300 C | 04-11 | | | | | | |
| VTX 1300 R | 05-11 | | | | | | | | | |
| VTX 1300 T | 08-11 | | | | | | | | | |
| MD 1160 | Front | F | CBF 1000 A8 (Canada) | 08 296 | MD 2002 MD 2002 C | Rear | S | XJ 400 S Seca II | 93 | |
| MD 1161 X MD 1161 XC MD 1161 CC | Front | F | CBR 1000 RR | 06-08 320 | | | | FZ 600 S/SC/T/TC/U/UC | 86-88 | |
| MD 1163 | Rear | S | ST 1300/1300 A | 02-11 316 | | | | FZR 600 W/WC | 89 | |
| MD 1164 | Rear | S | VFR 800 Interceptor | 00-10 256 | | | | FZR 600 AC/RA/RAC/RBC/RD/RE/REC/RF/RFC | RG/RGC/RH/RHC/RJ/RJC/RK/RKC/RL/RLC 90-00 | 95-96 |
| MD 1164 | Rear | S | VFR 800 A Interceptor (ABS) | 02-10 | | | | YZF 600 R RJ/RK/RL/RM/RN/RP/RR/RS/RT/RV/RW | 97-07 | |
| | | | | | | | | SRX 600 S/SC | 86 | |
| MD 1165 | Rear | S | VFR 800 Fi Interceptor | 98-99 256 | | | | XJ 600 Seca IISD/SDC/SE/SEC/SF/SFC | 245 | |
| MD 1167 RS | Front | S | VT 1100 C | 95-07 330 | | | | /SG/SGC/SH/SHC/SJ/SJC/SK/SKC | 92-98 | |
| MD 1169 C/CF | Front | S | NSF 100 R | 06 220 | | | | YZF 750 R/SP | 93-96 | |
| MD 1170 C | Rear | S | NSF 100 R | 06 160 | | | | YZF 750 R7 OW02 Road version | 99 | |
| MD 1171 X MD 1171 XC | Front | F | CBR 600 RA/RAA | 09-11 320 | | | | TDM 850 D/DC/E/EC | 92-93 | |
| | | | CB 1000 R | 11 | | | | YZF 1000 R RJ | 97 | |
| | | | CBR 1000 RR/RRA | 08-11 | | | | YZF 1000 R1 | 98-00 | |
| | | | CBR 1000 RA/RAA | 09-11 | | | | Ducati | | |
| MD 1172 LS | Front | S | FSC 600 Silverwing | 03-11 276 | | | | Supersport 400 (Single disc) | 93-97 | |
| MD 1173 X MD 1173 C | Rear | S | CBR 600 RA/RAA (ABS) | 09-11 220 | | | | Supersport 400 (Twin disc) | 93-97 | |
| | | | | | | | | 400 Monster | 95-97 | |
| MD 1175 | Rear | S | VFR 1200 FDA (Automatic Transmission Model) | 10-11 276 | | | | Monster 400 (Single disc) | 00-02 | |
| MD 1176 X | Front | S | VFR 1200 FDA (Automatic Transmission Model) | 10-11 320 | | | | Monster 400 (Twin disc) | 03-04 | |
| | | | | | | | | 400 Monster (Japan) | 00-04 | |
| MD 1177 | Rear | S | CB 1000 R | 11 276 | | | | Monster Dark ie 400 (Japan) | 05-06 | |
| MD 1179 | Front | S | VT 1100 C2/C3/D2/T | 95-07 316 | | | | Monster Dark ie 400 (Single disc) | 05 | |
| | | | | | | | | | | Monster 400 ie (Japan) |
| | | | | | | | | Monster 600 (Twin disc) | 93-97 | |
| | | | | | 600 Monster (Single disc) | 93-99 | | | | |
| | | | | | 600 Monster Dark | 98-99 | | | | |
| | | | | | 600 Monster City/City Dark | 99 | | | | |
| | | | | | 600 Monster | 00-01 | | | | |
| | | | | | 600 Supersport (Single disc) | 91-97 | | | | |
| | | | | | 620 IE Monster | 02-04 | | | | |
| | | | | | Monster 620 ie (Single disc) | 03-04 | | | | |
| | | | | | 620 Sport | 03 | | | | |
| | | | | | Monster 620 Dark | 03-04 | | | | |
| | | | | | Multistrada Dark 620 | 03-05 | | | | |
| | | | | | Monster 620 | 05-06 | | | | |
| | | | | | Multistrada 620 | 05-06 | | | | |
| | | | | | Multistrada 620 Dark | 05-06 | | | | |
| | | | | | 696 Monster | 08-11 | | | | |
| | | | | | 748 SP/Monoposto | 99-2002 | | | | |
| | | | | | 750 Supersport (Single disc) | 91-98 | | | | |
| | | | | | Supersport 750 (Twin disc) | 91-98 | | | | |
| | | | | | 750 Supersport | 99 | | | | |
| | | | | | 750 Supersport IE | 00-02 | | | | |
| | | | | | 750 Sport | 01-02 | | | | |
| | | | | | 750 Monster (Single disc) | 96-97 | | | | |
| | | | | | 750 Monster (Twin disc) | 96-98 | | | | |
| | | | | | 750 Monster City/City Dark | 99 | | | | |
| | | | | | 750 Monster/Monster Dark | 99 | | | | |
| | | | | | 750 Monster | 00-01 | | | | |
| | | | | | Monster ie 750 | 02 | | | | |
| | | | | | Monster 800 | 03-04 | | | | |
| | | | | | 800 Sport | 03 | | | | |
| | | | | | 800 Supersport | 03-05 | | | | |
| | | | | | 851 Superbike Biposto | 89-92 | | | | |
| | | | | | 888 SP4/SP5 | 92-93 | | | | |
| | | | | | 888 Superbike Strada | 94-95 | | | | |
| | | | | | 900 Supersport | 89-90 | | | | |
| | | | | | 900 Supersport/Superlight | 91-97 | | | | |
| | | | | | 900 Supersport | 98-99 | | | | |

STREETBIKE DISC BUYERS GUIDE

| Disc No | Front /Rear | Type | Models | Dia (mm) | Disc No | Front /Rear | Type | Models | Dia (mm) | | | | | | |
|--|-------------|------|---------------------------------|----------|---|-------------|------|-----------------------------------|----------------|------------------------------|-----------------------|-------|--------------------------------|-------|-----|
| MD 2002 Contd. | Rear | S | 900 Supersport CR USA | 98 | MD 2011 MD 2011 C | Front | S | SRX 250 T/TC | 87 | | | | | | |
| | | | 900 Supersport FE | 98 | | | | RX 350 L/N/NC11 | 84-85 | | | | | | |
| | | | 900 Supersport IE | 00-01 | | | | XS 400 RJ/RK | 82-83 | | | | | | |
| | | | 900 Sport | 02 | | | | XZ 550 RK | -83 | | | | | | |
| | | | 900 Monster | 93-99 | | | | FJ 600 L/LC/N/NC | 84-85 | | | | | | |
| | | | 900 Monster Cromo/Special | 98 | | | | FZ 600 S/SC/T/TC/U/UC | 86-88 | | | | | | |
| | | | 900 Monster City/City Dark | 99 | | | | YX 600 S/SC/T/TC/UC/U/W/WC/ | | | | | | | |
| | | | 900 IE Monster | 00-01 | | | | A/AC Radian | 86-90 | | | | | | |
| | | | 907 IE | 90-93 | | | | SRX 600 S/SC | 86 | | | | | | |
| | | | Monster S4 Foggy(916cc) | 02 | | | | XJ 650 LK Seca/LJ Seca Turbo | 82-83 | | | | | | |
| | | | Monster S4 (916cc) | 01-02 | | | | FZ 700 T/TC Genesis | 87 | | | | | | |
| | | | ST4 (916cc) | 99-02 | | | | FZX 700 S/SC/T/TC Fazer | 86-87 | | | | | | |
| | | | ST2 (944cc) | 97-03 | | | | XJ 700 N/NC/XN/XNC/XS/XSC/S/SC | 85-86 | | | | | | |
| | | | ST3 S (ABS Model) (992cc) | 06-07 | | | | XV 700 L/LC/N/NC/CS/CT/CTC/CSC/SS | | | | | | | |
| | | | ST4S (Non ABS/996cc) | 01-05 | | | | /SSC/ST/STC | 84-87 | | | | | | |
| | | | ST4S (ABS Model/996cc) | 03-05 | | | | XV 750 U/UC/W/WC/A/AC/B/BC/D/DC | | | | | | | |
| | | | GT 1000 (992cc) | 07-10 | | | | /E/EC Virago | 88-94 | | | | | | |
| | | | GT 1000 Touring - Sport Classic | 09 | | | | XV 1100 All models | 86-97 | | | | | | |
| | | | Monster 1000 Dark | 03 | | | | | | | | | | | |
| | | | Monster 1000 ie (992cc) | 04-05 | | | | MD 2011 MD 2011 C | Rear | S | RX 350 L/N/NC11 | 84-85 | 267 | | |
| | | | Monster 1000 S ie (992cc) | 03-05 | | | | | | | XP 500 Y/Z/A (T-Max) | 09-11 | | | |
| Paul Smart 1000 LE (992cc) | 06 | | | | FJ 600 L/LC/N/NC | 84-85 | | | | | | | | | |
| Sport 1000 S | 07-09 | | | | FZ 700 T/TC Genesis | 87 | | | | | | | | | |
| Sport Classic 1000 (992cc) | | | | | FZR 750 Genesis RU/RT | 87-88 | | | | | | | | | |
| (Monoposto - Japan/Biposto - Europe) | 06-08 | | | | FZR 1000 Genesis T/TC/U/UC/W/WC | 87-89 | | | | | | | | | |
| Supersport 1000 DS (992cc) | 03-06 | | | | FZR 1000 EX UP A/AC/B/BC/D/DC/E/EC/F/FC/G/GC90-96 | | | | | | | | | | |
| Laverda All models | 94-00 | | | | FZS 1000 N/NC/P/PC/R/RC/S/SC/RS/T 'FZ1' 01-05 | | | | | | | | | | |
| MD 2003 X MD 2003 XC MD 2003 CC NOTE Disc type with plain holes. Check correct type before fitting. | Front | F | FZR 750 Genesis RU/RT | 87-88 | MD 2018 LS/RS | | | Use 2019RLS/RS | | | | | | | |
| | | | YZF 750 R/SP | 93-96 | | | | | | | | | | | |
| | | | FZR 1000 Genesis T/TC/U/UC/W/WC | 87-89 | | | | MD 2019 LS MD 2019 RS | Front | D | XV 250 U/UC/W/WC/A/AC | 88-90 | 266 | | |
| | | | FZR 1000 EX UP A/AC/B/BC/D | | | | | | | XS 400 SG/SH | 80-81 | | | | |
| | | | /DC/E/EC/F/FC/G/GC | 90-96 | | | | | | XS 400 J/K Maxim | 82-83 | | | | |
| | | | Ducati | | | | | | | XJ 650 RJ Seca | 82 | | | | |
| | | | Supersport 400 (Single disc) | 93-97 | | | | | | XJ 750 J/K/MK Maxim | 82 | | | | |
| | | | Supersport 400 (Twin disc) | 93-97 | | | | | | XV 920 RH/RJ | 81-82 | | | | |
| | | | 400 Monster | 95-97 | | | | | | XV 920 J Virago | 82 | | | | |
| | | | Monster 600 (Twin disc) | 93-97 | | | | | | | | | | | |
| | | | 600 Monster (Single disc) | 93-99 | | | | | | MD 2020 LS/RS | Front | F | FZR 400 U/SUC/W/SWC | 88-89 | 282 |
| | | | 600 Monster Dark | 98-99 | | | | | | | | | | | |
| | | | 600 Supersport (Single disc) | 91-97 | | | | | | MD 2021 MD 2021 C | Rear | S | FZR 400 U/SUC/W/SWC | 88-89 | 210 |
| | | | Monster 620 Dark | 03-04 | | | | | | | | | FZR 400 A | 90 | |
| | | | 748 Biposto | 95-98 | | | | | | | | | FZR 400 RRSP/RR | 91-92 | |
| | | | 748 SP | 98 | | | | | | MD 2022 LS MD 2022 RS | Front | S | FZR 400 A | 90 | 282 |
| | | | 750 Supersport (Single disc) | 91-98 | | | | | | | | | | | |
| | | | Supersport 750 (Twin disc) | 91-98 | | | | | | MD 2023 LS MD 2023 RS | Front | D | XV 500 K Virago | 83 | 298 |
| | | | 750 Supersport | 99 | | | | | | | | | SR 500 E/F/G/H | 78-81 | |
| | | | 750 Monster (Single disc) | 96-97 | | | | | | | | | XV 535 Virago T/TC/U/A/AC/E/EC | | |
| | | | 750 Monster (Twin disc) | 96-98 | | | | | | | | | /F/FC/SF/SFC | 87-94 | |
| | | | 750 Monster City/City Dark | 99 | | | | | | | | | XJ 550 H/J/K Maxim | 81-83 | |
| | | | 750 Monster/Monster Dark | 99 | | | | | | | | | XJ 550 RH/RJ/RK Seca | 81-83 | |
| | | | 851 Superbike Biposto | 89-92 | | | | | | | | | XJ 650 G/H/J/K Maxim | 80-83 | |
| | | | 888 Superbike Strada | 94-95 | | | | | | | | | XS 650 SE/SF/SG | 78-80 | |
| | | | 900 Supersport/Superlight | 91-97 | | | | | | | | | XS 650 G/H/SH | 80-81 | |
| | | | 900 Supersport | 98-99 | | | | | | | | | XS 650 SJ/SK Heritage Special | 82-83 | |
| | | | 900 Supersport CR USA | 98 | | | | | | | | | XJ 750 RH/RJ/RK Seca | 81-83 | |
| | | | 900 Supersport FE | 98 | | | | | | | | | XV 750 H/J/K/MK Virago | 81-83 | |
| | | | 900 Monster | 93-99 | | | | | | | | | | | |
| | | | 900 Monster Cromo/Special | 98 | | | | | | MD 2024 LS MD 2024 RS | Front | D | XS 500 C/D/E | 76-78 | 298 |
| | | | 900 Monster City/City Dark | 99 | | | | | | | | | XS 650 D/E/F/2F | 77-79 | |
| | | | 907 IE | 92-93 | | | | | | | | | XJ 650 LH Midnight | 81 | |
| | | | ST4 (916cc) | 99 | | | | | | | | | XV 920 MK 'Virago' | 83 | |
| | | | 916 (Biposto) | 94-96 | | | | | | | | | XV 920 K | 83 | |
| | | | ST2 (944cc) | 97-99 | | | | | | | | | XJ 1100 J | 82 | |
| | | | Laverda | | | | | | | | | | XS 1100 E/F/G/H | 78-81 | |
| | | | All models | 94-00 | | | | | | | | | XS 1100 SF/SG/SH | 79-81 | |
| | | | Moto Guzzi | | | | | | | | | | XS 1100 LG/LH Midnight Special | 80-81 | |
| | | | Breva 1100 (Non ABS Model) | 05-07 | | | | | | | | | | | |
| | | | MD 2008 | Rear | | | | S | FZR 750 (OWO1) | 89-92 | 210 | | | | |
| | | | MD 2009 LS/RS | Front | | | | F | FZR 750 (OWO1) | 89-92 | 320 | | | | |

F = FLOATING ROTOR
S/F = FLOATING CONVERSION FOR FLAT SOLID ROTOR

CODES FOR TYPES
S = FLAT SOLID
D = FLOATING ROTOR CONVERSION FOR DISHED SOLID ROTOR

DISC BUYERS GUIDE

STREETBIKE DISC BUYERS GUIDE

CODES FOR TYPES
S = FLAT SOLID
D = FLOATING ROTOR CONVERSION FOR DISHED SOLID ROTOR

F = FLOATING ROTOR
S/F = FLOATING ROTOR CONVERSION FOR FLAT SOLID ROTOR

DISC
BUYERS GUIDE

| Disc No | Front /Rear | Type | Models | Dia (mm) | Disc No | Front /Rear | Type | Models | Dia (mm) |
|--------------------------|-------------|------|--|----------|--|-------------|------|--|----------|
| MD 2025 LS MD 2025 RS | Front | D | XS 650 SE/SF 78-79 XS 750 D/2D/E/F/SE/SF 77-79 XS 850 G/H 80-81 XS 850 LG/LH/SG/SH 80-81 | 266 | MD 2069 | Rear | S | FZ 750 N/S/SC/U/UC 85-88 FZX 700 S/SC/T/TC Fazer 86-87 XJ 900 RK Seca 83 | 267 |
| MD 2025 RS | Rear | D | RD 400 F Daytona 79 XS 650 SE/SF 78-79 XS 750 SE/SF 78-79 XS 750 D/E2/2D/E/F 77-79 XS 850 G/H 80-81 XS 1100 LH Midnight Special 81 XS 500 C/D/E 76-78 XS 850 LG/LH/SG/SH 80-81 XS 1100 E/F/G/H 78-81 XS 1100 SF/SG/SH 79-81 XS 1100 LG Midnight Special 80 XJ 1100 J 82 | 266 | MD 2069 | Front | S | RZ 500 84-86 FZ 750 N/S/SC/U/UC 85-88 XJ 900 RK Seca 83 | 267 |
| MD 2028 LS | | | Use MD2011 | | MD 2070 | Rear | S | RZ 500 84-86 | 245 |
| MD 2029 LS/RS | | | Use MD2011 | | MD 2074 X MD 2074 XC MD 2074 CC 6 bolt fixing | Front | F | YZF 600 R RJ/RK/RL/RM/RN/RP/RR/RS/RT/RV/RW 97-07 YZF 600 RRL/RRM/RRN/RRP 'R6' 99-02 YZF R6S (YZFR 6 SV/SW/SX) (298mm rotor) 06-08 FZS 1000 N/NC/P/PC/R/RC/S/RS/T 'FZ1' 01-05 YZF R1 98-03 YZF 1000 R (RJ) 97 FZS 1000 R/RC FZ1 03 XVS 1100 ATS V-Star Silverado 04-09 XVS 1100 AS V-Star Classic 04-09 VMX 12 R/RC V-Max 03 V-Max 'All models' 93-07 FJR 1300 R/RC 03 XVS 1300 V-Star 1300 Tourer 07-11 XVS 1300 V-Star 07-11 XV 1700 Road Star Silverado (Cast wheel) 08-11 XV 1700 Road Star Midnight Warrior 05 XV 1700 Road Star (Cast wheel) 04/07-10 XV 1700 Road Star Midnight (Cast wheel) 04-07 XV 1700 Road Star Midnight Silverado (Cast wheel) 04-07 XV 1700 Road Star S (Cast wheel) 08-11 XV 1700 Road Star Warrior 02-05 XV 1900 Roadliner 06-07 XV 1900 Roadliner Midnight 06-09 XV 1900 Roadliner S 06-10 XV 1900 Stratoliner 06-09 XV 1900 Stratoliner Midnight 06-08 XV 1900 Stratoliner S 06-10 XV 1900 Stratoliner Deluxe 11 | 298 |
| MD 2030 | | | Use MD2002 | | MD 2075 | Rear | S | GTS 1000 AE/AEC/AF/AFC 93-96 | 280 |
| MD 2031 LS | Front | S | XJ 400 'S' Seca II 93 XJ 600 Seca IISD/SDC/SE/SEC/SF/SFC /SG/SGC/SH/SHC/SJ/SJC/SK/SKC 92-98 | 320 | MD 2076 | Front | S | XZ 500 RJ 82 XV 535 Virago G/GC/SG/SGC/H/HC/SH/SHC/J/JC/SJ/SJC 95-99 XVS 650 V Star Custom 97-11 XVS 650 V Star Classic 98-10 XVS 650 V-Star Silverado 03-10 XVS 1100 V Star Custom 99-07 XVS 1100 V-Star Silverado 03- XVS 1100 W-M V-Star Custom Midnight 07-09 XVZ 1300 Royal Star 96-97/00 XVZ 1300 Royal Star Tour Clasic 96-00 XVZ 1300 Royal Star Standard 98 XVZ 1300 Royal Star Boulevard 99-01 XVZ 1300 Royal Star Midnight Venture 02-07 XVZ 1300 Royal Star Midnight Tour Deluxe 06-07 XVZ 1300 Royal Star Venture 99-07 XVZ 1300 Royal Star Venture S 08/10-11 XVZ 1300 Royal Star Tour Deluxe 97-01 XVZ 1300 Royal Star Tour Deluxe 05-07 XVZ 1300 LTK Venture 96-98 XVZ 1300 Venture MM Limited Edition 01 XV 1600 Road Star 01-05 XV 1600 Road Star Silverado 07-09 XV 1600 Road Star Midnight 03 XV 1600 Midnight Star 02-03 XV 1700 Road Star (Spoke wheels) 06 | 298 |
| MD 2032 LS | | | Use MD2024LS | | | | | | |
| MD 2033 LS/RS | | | Use MD2011 | | | | | | |
| MD 2035 LS/RS | | | Use MD2011 | | | | | | |
| MD 2038 LS | | | Use MD2025LS | | | | | | |
| MD 2040 | | | | | | | | | |
| MD 2040 LS/RS | | | Use MD2024LS/RS | | | | | | |
| MD 2041 LS/RS | | | Use MD2025LS/RS | | | | | | |
| MD 2042 | | | | | | | | | |
| MD 2042 LS | | | Use MD2024LS/RS | | | | | | |
| MD 2043 | | | Use MD2025 | | | | | | |
| MD 2044 MD 2044 LS/RS | | | Use MD2024LS/RS | | | | | | |
| MD 2045 | | | Use MD2025 | | | | | | |
| MD 2046 | Front | F | FJ 1200 AD/ADC/AE/AEC 92-93 | 298 | | | | | |
| MD 2049 | Rear | S/F | XVZ 13 D Series Venture Royale 86-93 XVZ 13 T/T/C/U/UC Venture 87-88 | 320 | | | | | |
| MD 2067 LS MD 2067 RS | Front | S | XV 250 Virago All models 95-07 XV 250 V-Star 08-11 XV 750 F/FC/G/GC/H/HC/J/JC Virago 94-97 | 282 | | | | | |
| MD 2068 | Rear | S | XV 1100 L/LC/N/NC 84-85 FJ 1100 L/LC/N/NC 84-85 FJ 1200 S/SC/T/TC/W/WC/A/B/AC/BC/D/DC 86-93 V-Max 'All models' 85-07 | 280 | | | | | |
| MD 2068 | Front | S | V-Max All models 85-92 FJ 1100 L/LC/N/NC 84-85 FJ 1200 S/SC/T/TC 86-87 VMX 12 R/RC V-Max 03 XVZ 13 T/TC/U/UC Venture 87-88 | 280 | | | | | |

STREETBIKE DISC BUYERS GUIDE

| Disc No | Front /Rear | Type | Models | Dia (mm) | Disc No | Front /Rear | Type | Models | Dia (mm) | | | | | | | | | |
|---|-------------|------|--|----------|------------------------------------|-------------|------|--|----------|----------------------|------------------------------------|---|--|--|-------|--------------------------------------|---|-----|
| MD 2078 | Rear | S | XVZ 1300 Royal Star 96-97/00 | 320 | MD 2093 MD 2093 C | | S | FZ6 04-06 | 245 | | | | | | | | | |
| | | | XVZ 1300 Royal Star Tour Classic 96-00 | | | | | FZS 1000 V/W/X/Y/Z/A (FZ1) 06-11 | | | | | | | | | | |
| | | | XVZ 1300 Royal Star Standard 98 | | | | | FZ6 (4 piston caliper) W/X/Y 07-09 | | | | | | | | | | |
| | | | XVZ 1300 Royal Star Boulevard 99-01 | | | | | FZ6R (FZS6Y/Z/A) 09-11 | | | | | | | | | | |
| | | | XVZ 1300 Royal Star Midnight Venture 02-07 | | | | | FZ8 11 | | | | | | | | | | |
| | | | XVZ 1300 Royal Star Midnight Tour Deluxe 06-07 | | | | | MD 2094 X MD 2094 XC MD 2094 CC | | Front | F | YZF R1 04-06 | 320 | | | | | |
| | | | XVZ 1300 Royal Star Venture 99-07 | | | | | | | | | | | | | | | |
| | | | XVZ 1300 Royal Star Venture S 08/10-11 | | | | | | | | | | | | | | | |
| | | | XVZ 1300 Royal Star Tour Deluxe 97-01 | | | | | | | | | | | | | | | |
| | | | XVZ 1300 Royal Star Tour Deluxe 05-07 | | | | | | | | | | | | | | | |
| | | | XVZ 1300 LTK Venture 96-98 | | | | | MD 2095 X MD 2095 XC MD 2095 CC | | Front | F | YZF-R6 TC/SV/SVC 05-06 | 310 | | | | | |
| | | | XVZ 1300 Venture MM Limited Edition 01 | | | | | | | | | | | YZF-R6 T/V/W (310mm rotor) 05-07 | | | | |
| | | | MD 2081 | | | | | Front | | S | XVZ 12 TK/L/KC2 Venture 83-84 | 298 | MD 2096 | Front | S | XVZ 13 D Series Venture Royale 86-93 | 282 | |
| XVZ 12 TDK/DL/DKC2/DN Venture Royale 83-84 | | | | | | | | | | | | | | | | | | |
| MD 2081 | Rear | S | XVZ 12 TK/L/KC2 Venture 83-84 | 298 | MD 2099 | Rear | S | XV 1700 Road Star Warrior 02-05 | 320 | | | | | | | | | |
| | | | XVZ 12 TDK/DL/DKC2/DN Venture Royale 83-84 | | | | | XV 1900 Roadliner 06-07 | | | | | | | | | | |
| MD 2082 X MD 2082 XC MD 2082 CC | Front | F | YZF 600 RRR/RRS R6 03-04 | 298 | | | | XV 1900 Roadliner Midnight 06-09 | | | | | | | | | | |
| | | | FZ6 04-06 | | | | | XV 1900 Roadliner S 06-10 | | | | | | | | | | |
| | | | FZ6 W/X/Y (4 piston caliper) 07-09 | | | | | XV 1900 Stratoliner 06-09 | | | | | | | | | | |
| | | | FZ6R (FZS6Y/Z/A) 09-11 | | | | | XV 1900 Stratoliner Midnight 06-08 | | | | | | | | | | |
| | | | XV 1700 PCMV/PCMVC/PCMW/PCMWC /PCX Midnight Warrior 06-09 | | | | | XV 1900 Stratoliner S 06-10 | | | | | | | | | | |
| | | | XV 1700 PCW/PCV-F/PCVC/PCVC-F/PCW /PCWC/PCX Warrior 06-09 | | | | | XV 1900 Stratoliner Deluxe 11 | | | | | | | | | | |
| | | | XV 1900 Raider 08-11 | | | | | MD 2101 X/XC | | Front | F | FZS 1000 V/W/X/Y/Z/A (FZ1) 06-11 | 320 | | | | | |
| | | | XV 1900 Raider S 08-11 | | | | | | | | | | | FZ8 11 | | | | |
| | | | MD 2083 | | | | | Front | | F | YZF 750 R7 OWO2 Road version 99-00 | 320 | MD 2102 X MD 2102 XC MD 2102 CC | Front | F | YZF-1 (6 piston caliper) 07-08 | 310 | |
| | | | | | | | | | | | | | | | | | | |
| MD 2084 MD 2084 C | Rear | S | YZF 600 RRL/RRM/RRN/RRP 'R6' 99-02 | 220 | | | | MD 2103 | | Rear | S | XVS 1300 V-Star 1300 Tourer 07-11 | 298 | | | | | |
| | | | YZF R1 02-03 | | | | | | | | | | | | | | | |
| MD 2086 MD 2086 C | Rear | S | YZF 750 R7 99 | 245 | MD 2105 X/XC | Front | F | YZF-R6 X/Y/Z/A 08-11 | 310 | | | | | | | | | |
| | | | YZF R1 98-01 | | | | | | | | | | | | | | | |
| MD 2088 | Rear | S | XV 1600 Road Star 01-05 | 320 | MD 2107 MD 2107 C | Front | F | XP 500 Y/Z/A (T-Max) 09-11 | 267 | | | | | | | | | |
| | | | XV 1600 Road Star Silverado 07-09 | | | | | | | | | | | | | | | |
| | | | XV 1600 Road Star Midnight 03 | | | | | | | | | | | | | | | |
| | | | XV 1600 Midnight Star 02-03 | | | | | | | | | | | | | | | |
| | | | XV 1700 Road Star Silverado (Cast wheel) 08-11 | | | | | | | | | | | | | | | |
| | | | XV 1700 Road Star Midnight Warrior 05 | | | | | | | | | | | | | | | |
| | | | XV 1700 Road Star (Spoke wheels) 06 | | | | | | | | | | | | | | | |
| | | | XV 1700 Road Star (Cast wheel) 04/07-10 | | | | | | | | | | | | | | | |
| | | | XV 1700 Road Star Midnight (Cast wheel) 04-07 | | | | | | | | | | | | | | | |
| | | | XV 1700 Road Star S (Cast wheel) 08-11 | | | | | | | | | | | | | | | |
| | | | XV 1700 Road Star Midnight Silverado (Cast wheel) 04-07 | | | | | | | | | | | | | | | |
| | | | MD 2089 X MD 2089 XC MD 2089 CC | | | | | | | Front | F | FJR 1300 S/RS/T 04-05 | 320 | MD 2108 C | Rear | F | VMX 1700 V-Max (6 piston radial caliper) 09-11 | 298 |
| | | | | | | | | | | | | FJR 1300 AV/AEV/AW/AEW/AX /AEX/AY/AEY/AZ/AA 06-11 | | | | | | |
| | | | | | | | | | | | | | | | | | | |
| MD 2090 LS/RS | | | Use MD2074X | | MD 2109 XC | Front | F | VMX 1700 V-Max (6 piston radial caliper) 09-11 | 320 | | | | | | | | | |
| MD 2091 | Rear | S | YZF 600 RRR/RRS R6 03-04 | 220 | MD 2114 | Rear | S | XVS 1300 Stryker 11 | 310 | | | | | | | | | |
| | | | YZF-R1 (5VY) 04-06 | | | | | | | XV 1900 Raider 08-11 | | | | | | | | |
| | | | YZF-R1 LE 06 | | | | | | | | XV 1900 Raider S 08-11 | | | | | | | |
| | | | YZF-R1 (6 piston caliper) 07-11 | | | | | | | | | | | | | | | |
| | | | YZF-R6 T/V/W (310mm rotor) 05-07 | | | | | | | | | | | | | | | |
| | | | YZF R6S (YZFR 6 SV/SW) (298mm rotor) 06-08 | | | | | | | | | | | | | | | |
| YZF-R6 X/Y/Z/A 08-11 | | | | | | | | | | | | | | | | | | |
| MD 2092 | Rear | S | XVS 1100 V-Star Custom/Classic 99-09 | 282 | MD 3001 LS/RS | Front | S | GSX 600 FJ 88 | 290 | | | | | | | | | |
| | | | XVS 1100 V-Star Silverado 03-09 | | | | | | | | | | | | | | | |
| | | | FJR 1300 R/RC/S/RS/T 03-05 | | | | | | | | | | | | | | | |
| | | | FJR 1300 AV/AEV/AW/AEW/AX/AEY /AY/AEY/AZ/AA 06-11 | | | | | | | | | | | | | | | |
| | | | XVS 1100 W-M V-Star Custom Midnight 07-09 | | | | | | | | | | | | | | | |
| XV 1700 PCP/PCR/PCS/PCT Road Star Warrior 02-05 | | | | | | | | | | | | | | | | | | |
| MD 3002 MD 3002 C | Rear | S | | | MD 3002 MD 3002 C | Rear | S | GSF 400 M/N/P Bandit 91-93 | 250 | | | | | | | | | |
| | | | | | | | | GS 500 EK/EL/EM/EN/EP/ER/ES/ET/ EV/EW/EX/EY/K1/K2/K3 89-03 | | | | | | | | | | |
| | | | | | | | | GS 500 FK4/FK5/FK6/FK7/FK8/FK9 04-10 | | | | | | | | | | |
| | | | | | | | | GSX 600 FJ/FK/FL/FM/FN/FP/FR/FT Katana 88-97 | | | | | | | | | | |
| | | | | | | | | GSX 750 FK/FL/FM/FN/FP/FR/FS/FT Katana 89-97 | | | | | | | | | | |
| | | | | | | | | MD 3003 X MD 3003 XC MD 3003 CC | | Front | F | | | MD 3003 X MD 3003 XC MD 3003 CC | Front | F | GSF 600 Bandit ST/SV/V 96-97 | 290 |
| | | | | | | | | | | | | | | | | | GSX 600 FK/FL/FM/FN/FP/FR/FS/FT/FV /FW/FX/FY/FK1/FK2 Katana 89-02 | |
| | | | | | | | | | | | | | | | | | GSF 600 SY/SK1/SK2/SK3 00-03 | |
| | | | | | | | | | | | | | | | | | RF 600 RR/RS/RT/RV 94-97 | |
| | | | | | | | | | | | | | | | | | SV 650 X/Y/K1/SK1/K2/SK2 99-02 | |
| GSX 750 FK/FL/FM/FN/FP/FR/FS/FT/FV /FW/FX/FY/K1/FK/FK2 Katana 89-02 | | | | | | | | | | | | | | | | | | |
| MD 3004 | Front | F | | | MD 3004 | Front | F | GSX-R 1100 G/H/J 86-88 | 310 | | | | | | | | | |
| MD 3005 | Front | F | | | MD 3005 | Front | F | GSX-R 750 RG/G/H 86-87 | 300 | | | | | | | | | |

F = FLOATING ROTOR
S/F = FLOATING CONVERSION FOR FLAT SOLID ROTOR

CODES FOR TYPES
S = FLAT SOLID
D = FLOATING ROTOR CONVERSION FOR DISHED SOLID ROTOR

DISC
BUYERS GUIDE

STREETBIKE DISC BUYERS GUIDE

CODES FOR TYPES
S = FLAT SOLID
D = FLOATING ROTOR CONVERSION FOR DISHED SOLID ROTOR

F = FLOATING ROTOR
S/F = FLOATING ROTOR CONVERSION FOR FLAT SOLID ROTOR

DISC
BUYERS GUIDE

| Disc No | Front /Rear | Type | Models | Dia (mm) | Disc No | Front /Rear | Type | Models | Dia (mm) |
|---------------------------------------|-------------|------|--|----------|--|---------------|--------|---|------------|
| MD 3006 X MD 3006 XC MD 3006 CC | Front | F | GSF 400 M/N/P Bandit 91-93 GS 500 EK/EL/EM/EN/EP/ER/ES/ET /EV/EW/EX/EY/K1/K2/K3 89-03 GS 500 FK4/FK5/FK6/FK7/FK8/FK9 04-10 RF 900 RR/RS/RS2/RT/RV/RW 94-98 GSF 1200 SV/SW/SX/SY/SK1/SK2 /SK3/SK4/SK5/K1/K2/K3 96-05 | 310 | MD 3014 RS | Rear | D | XN 85 D (673cc) 83 GS 550 C/N/E/EN 77-79 GS 550 ET/TX 80-81 GS 550 MZ 82 GS 550 LT/LX 80-81 GS 750 ET/EX/EZ (16 valve) 80-82 GS 750 LT/LX (16 valve) 80-81 GS 750 SD 83 GS 750 C/N/EC/EN/LN (8 valve) 78-79 GS 850 GN/GT/GX/GLT 79-81 GS 1000 C/N 78-79 GS 1000 EC/EN/SN/LN 78-79 GS 1000 ET/ST/SZ 80-82 GS 1000 GT/GX 80-81 GS 1000 GLT/GLX 80-81 GS 1100 ET/EX/EZ/ED/ESD 80-83 GS 1100 LT 80 GS 1100 SD 83 | 276 |
| MD 3007 MD 3007 C | Front | F | GSX-R 600 WN/WP 92-93 GSX-R 750 J/K/L/M/N/WP 89-93 GSX-R 750 WR/WS 94-95 GSX-R 1100 K/L/M/N 89-92 GSX-R 1100 WP/WR/WS/WT/WV/WW 93-98 | 310 | MD 3015 LS/RS | | | Use 3014 LS/RS | |
| MD 3008 MD 3008 C | Rear | S | GSF 600 Bandit ST/S/SV/V 96-97 GSF 600 SY/SK1/SK2/SK3 00-03 GSX-R 600 WN/WP 92-93 GSX 600 FW/FX/FY/FK1-FK6 Katana 98-06 RF 600 RR/RS/RT/RV 94-97 SV 650 X/Y/K1/SK1/K2/SK2 99-02 GSX 750 W/X/Y Inazuma 98-00 GSX 750 FW/FX/FY/FK1/FK2/FK3 Katana 98-03 GSK 750 FK4/FK5/FK6 04-06 GSX-R 750 J/K/L/M/N/WP/WR/WS 89-95 RF 900 RR/RS/RS2/RT/RV/RW 94-98 GSX-R 1100 K/L/M/N 89-92 GSX-R 1100 WP/WR/WS/WT/WV/WW 93-98 GSF 1200 SV-SK5/K1-K3 96-05 GSX 1300 RX/RY/RK1/RK2/RZK3/RK4 /RZK4/RK5/RZK6/RK6/RK7 99-07 | 240 | MD 3016 LS/RS | | | Use 3006 | |
| MD 3009 | Rear | S | GSX-R 750 RG/G/H 86-87 GSX-R 1100 G/H/J 86-88 | 220 | MD 3017 LS | Front | S | LS 650 FG/PG/PH/FH/PJ/PS/PT/PV/PW/PX /PY/PK1/PK2/PK3/PK4 Savage 86-88/95-04 LS 650 K5/K6/K7/K8/K9/L1 Boulevard S40 05-11 | 260 |
| MD 3010 LS | Front | S | GSXR 50 (RB 50 H) 87 | 162 | MD 3018 LS/RS | | | Use 3014 LS/RS | |
| MD 3014 LS MD 3014 RS | Front | D | GS 250 TT/TX 80-81 GN 250 J 88 GN 400 T/XT/XX/TX/TZ 80-82 GS 450 ET/ST/EX/SX/EZ/ED 80-83 GS 450 GAZ/GAD/GAF 82-85 GS 450 LT/LX/LZ/LD/LF/LG/LH/LJ 80-88 GS 450 TX/TZ 81-82 GS 450 TXZ 82 GS 550 ET 80 GS 550 MZ 82 GS 550 LD/LF/LG 83-86 GR 650 D/XD 'Tempter' 83 GS 650 EX/EZ 81-82 GS 650 GX/GZ/GD 81-83 GS 650 MD 83 GS 750 EC/EN/LN (8 valve) 78-79 GS 750 ET/EX/EZ (16 valve) 80-82 GS 750 LT/LX (16 valve) 80-81 GS 750 SD 83 GS 850 GN/GT/GX/GLT/GLX/GLZ/GZ/GLD/GD 79-83 GS 1000 ET/ST/SZ 80-82 GS 1000 EC/EN/SN/LN 78-79 GS 1000 GT/GX 80-81 GS 1000 GLT/GLX 80-81 GS 1100 ET/EX/EZ/ED/ESD 80-83 GS 1100 LT 80 GS 1100 GZ/GD 82-83 GS 1100 GLZ/GLD 82-83 GS 1100 GKZ/GK2/GKD 82-83 GS 1100 SD 83 | 276 | MD 3019 RS MD 3019 LS MD 3019 RS | Rear Front | F F | GS 750 (8 valve) 77 GS 550 B 77 GS 750 B (8 valve) 77 GT 750 K/L/M/A/B 73-77 | 296 296 |
| | | | | | MD 3020 LS | Front | D | GS 550 C/N/EC/EN 77-79 GS 550 LT 80 GS 750 C/N (8 Valve) 78-79 GS 1000 C/N 78-79 | TBA |
| | | | | | MD 3022 LS | Front | D | GS 550 LX 81 GS 550 LZ 82 GS 550 TX 81 GS 650 GLX/GLZ/GLD 81-83 GS 750 TZ/TD (16 valve) 82-83 | 295 |
| | | | | | MD 3024 LS MD 3024 RS | Front | D | GS 550 ED/ESD/ES3/ES/EF/ESF/ESG 83-86 | 260 |
| | | | | | MD 3025 | Rear | S | GS 550 ED/ESD/ES3/ES/EF/ESF/ESG 83-86 | 250 |
| | | | | | MD 3027 | Rear | S | GS 650 EX/EZ 81-82 GS 650 GX/GZ/GD 81-83 GS 650 GLX/GLZ/GLD 81-83 GS 650 MD 83 GS 850 GLX/GLZ/GZ/GLD/GD 80-83 GS 1100 GZ/GLZ/GD/GLD 82-83 GS 1100 GKZ/GK2/GKD 82-83 | 276 |
| | | | | | MD 3028 LS MD 3028 RS | Front | D | XN 85 D (673cc) 83 GS 700 EF/ESF 85 GS 750 ED/ESD 83 | 260 |
| | | | | | MD 3029 | Rear | D | GS 700 EF/ESF 85 GS 750 ED/ESD 83 | 260 |
| | | | | | MD 3030 LS MD 3030 RS | Front | S | GV 700 GLF/GLF2 85 GV 1200 GLF/GLF2/GLG 'Madura' 85-86 | 276 |
| | | | | | MD 3031 LS | Front | S | VS 700 GLFG/GLPG 86-87 | 296 |

All part numbers, prefixes and suffixes shown in this catalog are unique and form a registered copyright as the property of EBC Brakes and its UK trademark owners

STREETBIKE DISC BUYERS GUIDE

| Disc No | Front /Rear | Type | Models | Dia (mm) | Disc No | Front /Rear | Type | Models | Dia (mm) |
|--|-------------|------|--|----------|---|-------------|------|--|----------|
| MD 3032 LS MD 3032 RS | Front | S/F | VS 700 GLFH/GLPH 86-87 VS 750 GLPJ/GLPK/GLPL/GLPM Intruder 88-91 VS 800 Intruder GLN/GLP/GLR/GLS/GLT/GLV /GLW/GLX/GLY/GLK1/GLK2/GLK3/GLK4 92-04 VS 800 K5/K6/K7/K8/K9/ZK9/L0 S50 Boulevard 05-10 VS 1400 GLPH/GLFH/GLPJ/GLPL/GLPM /GLPN/GLPP/GLPR/GLPS/GLPT/GLPV/GLPW /GLPX/GLPY/GLPK1/GLPK2/GLPK3 /GLPK4 Intruder 87-04 VS 1400 GLPK5/GLPK6/GLPK7/GLPK8/K9/L0 Boulevard S83 (1400cc) 05-10 | 296 | MD 3078 RS | Front | S | VL 1500 W/X/Y/K1 Intruder Legendary Classic 98-01 | 300 |
| MD 3033 LS | Front | S | VX 800 L/M/N/P 90-93 | 310 | MD 3079 | Rear | F | VL 1500 W/X Intruder Legendary Classic 98-99 | 276 |
| MD 3034 LS/RS | | | Use 3014 LS/RS | | MD 3086 | Rear | F | VL 1500 Y/K1/K2/K3/K4 00-04 VL 1500 BK5/K5/TK5/BK6/K6/TK6/K7/TK7/K8/TK8 /K9/TK9/L0 Boulevard C90/C90T 05-10 | 276 |
| MD 3036 | Rear | S | GSX 1100 FK/FL/FM/FN/FP Katana 88-93 | 275 | MD 3087 LS/RS | Front | S | VL 1500 K2/K3/K4/K5/BK5/K5/TK5/BK6 /K6/TK6/TK7/K7/K8/TK8/K9/TK9/L0 02-10 | 290 |
| MD 3037 LS MD 3037 RS | Front | S | GSX 1100 GM/GN/GP 91-93 | 310 | MD 3088 X MD 3088 XC MD 3088 CC | Front | F | DL 650 K4/K5/K6 V-Strom 04-06 DL 1000 K2/K3/K4/K5/K6/K7/K8/K9 02-09 SV 1000 K3/SK3/K4/SK4/K5/SK5/SK6/SK7 03-07 | 310 |
| MD 3038 | Rear | S | GSX 1100 GM/GN/GP 91-93 | 295 | MD 3089 X MD 3089 XC MD 3089 CC | Front | F | GSXR 600 K4/K5/XK5 04-05 GSXR 750 K4/K5/XK5 04-05 GSXR 1000 K3/K4/ZK4 03-04 | 300 |
| MD 3039 | Rear | F | GSX 1150 ES3/ESE/EF/ESF/EF2/EG/ESG 83-86 | 276 | MD 3090 X MD 3090 XC MD 3090 CC | Front | F | SV 650 K3/SK3/K4/SK4/K5/SK5/SK6/K6/K7/ /K8/SK8/SK9/K9 03-10 GSX 600 FK3/FK4/FK5/FK6 03-06 GSX 750 FK3/FK4/FK5/FK6 03-06 VZ 1500 K9 M90 Boulevard 09 C 109 RT Boulevard (1783cc) 09 VLR 1800 RTK8/RTK9 08-09 C 109 R VLR 1800 RK8/RK9 08-09 VLR 1800 TK8/TK9/TLO C109 RT Touring 08-10 | 290 |
| MD 3039 LS MD 3039 RS | Front | F | GSX 1100 FK/FL/FM/FN/FP Katana 88-93 GSX 1150 ES3/ESE/EF/ESF/EF2/EG/ESG 83-86 | 276 | MD 3091 X MD 3091 XC MD 3091 CC | Front | F | GSXR 600 K6/K7 06-07 GSXR 750 K6/K7 06-07 GSXR 1000 K5/K6/K7/K8/K9 05-08 VZR 1800 K6/K7/ZK7/RK8/ZK8/RK9/RZL1 (M109) 06-11 VZR 1800 R2K8/R2K9/R2L1 Boulevard R2 (M109RS) 08-11 | 310 |
| MD 3041 | Rear | D | GV 1200 GLF/GLF2/GLG 'Madura' 85-86 | 275 | MD 3092 LS MD 3092 RS MD 3092 CC | Front | F | DL 650 AK7/K7/AK8/K8/AK9/K9/AL1 V-Strom 07-11 GSX 650 FK8/FK9 08-10 GSF 1250 K7/AK7/SAK7/SAK8/SAK9 07-10 GSF 1250 SK7/SK8/SK9 Bandit 07-10 GSX 1250 FAL1 11 | 310 |
| MD 3042 LS MD 3042 RS | Front | S | GV 1400 GDG/GTG /GCG/GDH/GTH/GCH/GDJ 86-88 | 275 | MD 3093 MD 3093 C | Rear | S | GSX 650 FK8/FK9 08-10 SV 650 SAK7/SAK8/SAK9/AK9 ABS 07-10 SFV 650 K9/L0 Gladius 09-10 GSF 1250 AK7/SAK7/SAK8/SAK9 ABS 07-10 GSF 1250 SK7/SK8/SK9 Bandit 07-10 GSX 1250 FAL1 11 | 240 |
| MD 3043 | Rear | S | GV 1400 GDG/GTG/GCG/GDH/GTH/GCH/GDJ 86-88 | 296 | MD 3095 RS | Front | S | VL 800 K1-K8/CK5/CK6/TK5/TK6/TK7/CK7/ZK9 /TK8/CK8/ZK8/K9/TK9/L1 05-11 | 300 |
| MD 3044 | Rear | S | VS 1400 GLPH/GLFH/GLPJ/GLPL/GLPM/GLPN /GLPP/GLPR/GLPS/GLPT/GLPV/GLPW /GLPX/GLPY/GLPK1/GLPK2/GLPK3 /GLPK4 Intruder 87-04 VS 1400 GLPK5/GLPK6/GLPK7/GLPK8/K9/L0 Boulevard S83 (1400cc) 05-10 | 275 | MD 3096 RS | Front | S | VZ 800 K5/K6/BK6/K7/ZK7/K8/ZK8/K9/ZK9/L0 M50 Boulevard 05-10 | 300 |
| MD 3045 | Front | F | VZ 800 V/W/X/Y/K1-K4 'Marauder' 97-04 | 300 | MD 3097 | Rear | F | C 109 RT Boulevard (1783cc) VLR 1800 RTK8/RTK9 08-09 C 109 R VLR 800 RK8/RK9 08-09 M 1500 K9 M90 Boulevard 09 VLR 1800 TK8/TK9/TLO C109 RT Touring 08-10 VLR 1800 K8/K9/L0 C109 R 08-10 VZR 1800 K6/K7/ZK7/K8/NK8/RK8/RZK8 /RK9/RZK9/RZL1 (M109) 06-11 VZR 1800 R2K8/R2K9/R2L1 Boulevard R2 (M109RS) 08-11 | 275 |
| MD 3058 X MD 3058 XC MD 3058 CC | Front | F | GSXR 600 V/W/X/Y/K1/K2/K3/ZK3 97-03 GSXR 750 T/V/W/X/Y/K1/K2/K3 96-03 GSXR 1000 K1/K2 01-02 TL 1000 SV/SW/SX/SY/RW/RX/RY/SK1/RK1-RK3 97-03 GSX 1300 RX/RY/RK1/RK2/RZK3/RK4 /RZK4/RK5/RK6/RZK6/RK7 Hayabusa 99-07 | 320 | MD 3098 X MD 3098 XC MD 3098 CC | Front | F | GSX 1300 RK8/RK9/RL1 08-11 GSX 1300 BKA88/BKA9 B-King ABS 08-10 GSX 1300 BKK8/BKK9 B-King 08-10 | 310 |
| MD 3060 MD 3060 C | Rear | S | GSXR 600 V/W/X/Y/K1/K2/K3/ZK3 97-03 GSXR 600 K4/K5/XK5/K6/K7/K8/K9 04-10 GSXR 600 L1 11 SV 650 SK3/K3/K4/SK4/K5/SK5/K6/SK6/SK7 /K7/K8/SK8/SK9/SF9/K9/L0/SFLO 03-10 GSXR 750 T/V/W/X/Y/K1-K9/XK5 96-10 GSXR 750 L1 11 TL 1000 SV/SW/SX/SYSK1//RW/RX/RY/RK1-RK397-03 GSXR 1000 K1-K9/L1 01-11 SV 1000 SK3/K3/SK4/K4/SK5/K5/SK6/SK7 03-07 | 220 | MD 3099 / C | Rear | S | GSX 1300 RK8/RK9/RL1 08-11 GSX 1300 BKA88/BKA9 B-King ABS 08-10 GSX 1300 BKK8/BKK9 B-King 08-10 | 260 |
| MD 3061 | Rear | S | VX 800 L/M/N/P 90-93 | 250 | | | | | |
| MD 3072 RS | | | Use MD3045 | | | | | | |
| MD 3073 LS | Front | S/F | VS 700 GLEFG/GLEPG/GLEFH/GLEPH 86-87 | 296 | | | | | |
| MD 3075 LS MD 3075 RS | Front | F | GSF 1200 SAV 'ABS model Bandit' 97 | 310 | | | | | |
| MD 3076 | Rear | S | GSF 1200 SAV 'ABS model Bandit' 97 | 276 | | | | | |

F = FLOATING ROTOR
S/F = FLOATING CONVERSION FOR FLAT SOLID ROTOR

CODES FOR TYPES
S = FLAT SOLID
D = FLOATING ROTOR CONVERSION FOR DISHED SOLID ROTOR

DISC
BUYERS GUIDE

STREETBIKE DISC BUYERS GUIDE

CODES FOR TYPES
S = FLAT SOLID
D = FLOATING ROTOR CONVERSION FOR DISHED SOLID ROTOR

F = FLOATING ROTOR
S/F = FLOATING ROTOR CONVERSION FOR FLAT SOLID ROTOR

DISC
BUYERS GUIDE

| Disc No | Front /Rear | Type | Models | Dia (mm) | Disc No | Front /Rear | Type | Models | Dia (mm) | | |
|---|-------------|------|--|--|---------|---------------------------------------|-------|--------|--|---|------------|
| MD 3100 X/XC | Front | F | GSXR 600 K8/K9 GSXR 700 K8/K9 | 08-10 08-10 | 310 | MD 4012 X MD 4012 XC MD 4012 CC | Front | F | ZX 750 H1/H2 (ZX7) ZX 9R (ZX 900 E1/E2) ZR 1100 A1-A4 Zephyr ZR 1100 B1 Zephyr ZX 1100 C1-C4 (ZX11) Ninja (ZR 1100 C3/C4) ZRX 1100 ZRX 1200 R (ZR 1200 A1/A2/A3/A4/A5) | 89-90 00-01 92-95 96 90-93 99-00 01-05 | 310 |
| MD 3102 X/XC | Front | F | GSXR 600 L1 GSXR 750 L1 GSXR 1000 K9/L1 | 11 11 09-11 | 310 | MD 4013 MD 4013 C | Rear | S | ZX 750 H1/H2/J1/J2/L1-L3 (ZX-7) ZX 750 K1/K2/M1/M2/ P1/P2/P3/P4/P5/P6/P7/P8 (ZX7R) ZX7RR (ZX 750 N1/N2) ZX 900 B1-B4 (ZX9R) | 89-95 91-03 96-99 94-97 | 230 |
| MD 3103 X/XC | Front | F | SFV 650 K9 Gladius SV 650 SAK7/SAK8/SAK9/AK9/ALO /SFA8/SFA9/SFLO ABS | 09-10 07-10 | 290 | MD 4014 | Rear | S | ZX 1100 D1-D9 Ninja (ZX11) | 93-01 | 250 |
| MD 4001 | Rear | S | ZX 550 A1-A3 (GPZ) | 84-86 | 260 | MD 4015 MD 4015 C | Rear | S | ZX 600 A1-A3/B1 Ninja ZX 1000 B1-B3 Ninja ZX10 ZX 1100 C1-C4 (ZX11) Ninja | 85-87 88-90 90-93 | 250 |
| MD 4002 LS MD 4002 RS | Front | S | EL 250 B2/B3 Eliminator EX 250 E1-E2 Ninja ZX 550 A1-A3 (GPZ) | 88-89 86-87 84-86 | 260 | MD 4016 | Front | S | EX 500 A1-A7* EX 500 D1-D12/D6F/D7F/D8F/D9F* ZL 600 A1/A2 ZX 750 E1/E2 Turbo ZL 900 A1/A2 Eliminator ZX 900 A1-A3 Ninja ZL 1000 A1 ZX 1000 A1/A2 (Ninja) ZX 1100 A1/A2 (GPZ) | 87-93 94-09 86-87 84-85 85-86 84-86 87 86-87 83-84 | 280 |
| MD 4004 LS/RS | | | Use MD4099 | | | MD 4017 | Rear | S | ZX 750 E1/E2 Turbo ZL 900 A1/A2 Eliminator ZX 900 A1/A2/A3 ZL 1000 A1 ZX 1100 A1/A2 (GPZ) | 84-85 85-86 84-86 87 83-84 | 270 |
| MD 4006 LS MD 4006 RS (5mm thickness) | Front | S | EN 450 A1-A6 (454 LTD) EN 500 A1-A6/B2 Vulcan KZ 550 F1 (Spectre) F2 (Ltd) KZ 550 M1 (LTD) KZ 550 A2/A3/A4/C1-C4 (Ltd) KZ 1000 J1-J2 KZ 1000 K1/K2 (LTD) KZ 1100 A1-A3 KZ 1100 B1 (GPZ) KZ 1100 D1/D2 (Spectre) KZ 1100 L1 (LTD) | 85-90 90-95 83-84 83 80-83 81-82 81-82 81-83 81 82-83 83 | 270 | MD 4018 | | | Use MD4016 | | |
| MD 4007 | Rear | S | ZX 600 D1-D4 (ZX6) ZX 750 F1-F4 Ninja ZR 750 C1-C3 | 90-93 87-90 91-93 | 230 | MD 4019 | Rear | S | ZX 750 A1/A2/A2L/A3 (GPZ) ZX 1000 A1/A2 (Ninja) | 83-85 86-87 | 260 |
| MD 4008 MD 4008 C MD 4008 CC | Front | F | ZR 550 B1-B4 Zephyr ZL 600 B2/B3 Eliminator ZX 600 F1/F2/F3 (ZX6R) EJ 650 A2/A3/A4 (W650) ZR 750 C1-C3 ZG 1000 A9-A20/A6F Con Cours GPZ 1100 (ZX 1100 E1/E2/E3) | 90-93 96-97 95-97 00-02 91-93 94-06 95-97 | 300 | MD 4021 | Front | S | ZX 1000 B1-B3 Ninja ZX10 | 88-90 | 300 |
| MD 4009 MD 4009 C | Rear | S | ZR 550 B1-B4 Zephyr ZX 600 E1-E13 (Ninja ZX6) | 90-93 93-05 | 240 | MD 4022 X MD 4022 XC MD 4022 CC | Front | F | Ninja ZX-750 J1/J2/L1-L3 (ZX-7) Ninja ZX 7R (ZX750 K1/K2/M1/M2) Ninja ZX 7R (ZX 750 P1-P8) Ninja ZX-7RR (ZX750 N1/N2) ZX-9R B1-B4 Ninja ZX-9R F1/F2 Ninja ZX 1100 D1-D9 Ninja ZRX 1200 R (ZR 1200 A1-A4) ZX 12 R A1/A2/B1/B2 ZX 1200 C1/C2/C3/C4 (ZZR 1200) VN 1500 P1/P2 Vulcan Mean Streak VZ 1600 K4/K5 VN 1600 B1/B2/B6F/B7F/B7FA/B8F/B8FA | 91-95 91-95 96-03 96-99 94-97 02-03 93-01 01-04 00-03 02-05 02-03 04-05 04-08 | 320 |
| MD 4010 7mm thickness | Rear | S | KZ 550 D1 (GPZ) KZ 700 A1 KZ 750 E1-E3 KZ 750 F1 (LTD) KZ 750 H1-H4 (LTD) KZ 750 L3 KZ 750 N1/N2 Spectre KZ 750 R1 (GPZ) | 81 84 80-82 83 80-83 83 82-83 82 | 260 | MD 4023 MD 4023 C | Rear | S | ZX 6R (ZX 600 F1-F3) ZX 12R (ZX 1200 A1/A2/B1/B2/B3/B4) | 95-97 00-05 | 230 |
| MD 4010 LS MD 4010 RS 5mm thickness | Front | S | KZ 440 D5 (LTD) KZ 440 G1 KZ 550 D1 (GPZ) KZ 700 A1 VN 700 A1 Vulcan KZ 750 E1-E3 KZ 750 F1 (LTD) KZ 750 H1-H4 (LTD) KZ 750 L3 KZ 750 N1/N2 Spectre KZ 750 R1 (GPZ) VN 750 A2-A21/A6F Vulcan | 83 82 81 84 85 80-82 83 80-83 83 82-83 82 86-06 | 260 | MD 4024 | Rear | S | KZ 550 H1/H2 (GPZ) | 82-83 | 260 |
| | | | | | | MD 4026 LS MD 4026 RS | Front | S | ZX 600 C1-C9 Ninja 600 R | 88-96 | 260 |
| | | | | | | MD 4027 | Rear | S | ZX 600 C1-C9 Ninja 600 R ZR 1100 A1-A4 Zephyr ZR 1100 B1 Zephyr | 88-96 92-95 96 | 240 |
| | | | | | | MD 4028 LS MD 4028 RS | Front | S | ZX 600 A1-A3/B1 Ninja ZX 750 A1-A3 (GPZ) ZG 1000 A1-A8 Con Cours | 85-87 83-85 86-93 | 270 280 |

All part numbers, prefixes and suffixes shown in this catalog are unique and form a registered copyright as the property of EBC Brakes and its UK trademark owners

STREETBIKE DISC BUYERS GUIDE

| Disc No | Front /Rear | Type | Models | Dia (mm) | Disc No | Front /Rear | Type | Models | Dia (mm) |
|----------------------------|-------------|------|---|--|--------------------------|-------------|------|--|---|
| MD 4031 LS | | | Use MD 4002 LS | | MD 4067 LS MD 4067 RS | Front | S | ZN 700 A1/A2 (LTD) | 84-85 270 |
| MD 4032 | Rear | S | EX 250 E1-E2 Ninja | 86-87 240 | MD 4068 | Rear | S | ZN 700 A1/A2 (Ltd) | 84-85 260 |
| MD 4033 LS/RS | | | Use MD 4028 LS/RS | | MD 4069 LS | Front | D | H2/H2-A "Mach IV" H2-B/H2-C "Mach IV" Z1/A/B 900 | 72-73 74-75 73-75 296 |
| MD 4035 LS/RS | | | Use MD 4016 | | MD 4070 LS | Front | D | KZ 750 K1/K2 (LTD) | 83-84 270 |
| MD 4038 | Front | S | KZ 1000 R1/R2 (Replica) KZ 1000 J3 KZ 1100 B2 (GPz) | 82-83 83 82 280 | MD 4071 LS MD 4071 RS | Front | S | ZX 750 F1-F4 Ninja | 87-90 270 |
| MD 4040 LS | Front | S | AR 50 A1 AR 80 A1 | 82 82 210 | MD 4073 | Rear | D | KZ 900 B1 'LTD' | 76 TBA |
| MD 4041 RS | Front | S | EX 250 F2-F19/D6F/D7F Ninja 250 | 88-07 260 | MD 4074 | | | Use MD4077 | |
| MD 4042 | Rear | S | EX 250 F2-F19/D6F/D7F Ninja 250 | 88-07 230 | MD 4075 | | | Use MD4077 | |
| MD 4043 LS | Front | D | KZ 305 A1/A2/B1 (CSR) KZ 305 B2/B3 (LTD) | 81-82 87-88 260 | MD 4076 LS MD 4076 RS | Front | D | KZ 900 B1 'LTD' KZ 1000 B1/B2 'LTD' KZ 1000 D1/D3 (Z1-R series) KZ 1000 C1/C1A Police Series | 76 77-78 78-80 78 296 |
| MD 4047 LS | Front | D | KZ 440 A1-A4 KZ 440 K1/D1-D4 (LTD) | 80-83 80-82 278 | MD 4077 | Rear | D | KZ 1000 A1/A2/A2A KZ 1000 A3/A3A/A4 KZ 1000 C1/C1A Police Series KZ 1000 C2/C3/C4 KZ 1000 D1/D3 (Z1-R series) | 77-78 79-80 78 79-81 78-80 290 |
| MD 4048 LS | | | Use MD4006LS | | MD 4078 LS MD 4078 RS | Front | D | KZ 1000 E1/E2 ST & Shaft | 79-80 286 |
| MD 4051 MD 4051 C | Rear | S | EX 500 D1-D12/D6F/D7F/D8F/D9F | 94-09 230 | MD 4080 LS MD 4080 RS | Front | D | KZ 1000 M1/M2 (CSR) | 81-82 270 |
| MD 4052 LS | Front | F | HI-D/HI-E/HI-F 500 KZ 650 B1-B3 KZ 750 B1-B4 KZ 900 A4/A5 KZ 1000 A1/A2/A2A | 73-75 77-79 76-79 76-77 77-78 295 | MD 4081 LS/RS | | | Use MD4091LS/RS | |
| MD 4053 LS | Front | D | KZ 550 A1 | 80 296 | MD 4082 | Rear | S | ZG 1000 A1-A8 Con Cours ZG 1000 A9-A20/A6F Con Cours | 86-93 94-06 280 |
| MD 4054 (7mm thickness) | Rear | S | KZ 1000 J1-J3 KZ 1000 K1/K2 (LTD) KZ 1000 M1/M2 (CSR) KZ 1000 P1-P22/P24 (Police) KZ 1000 R1/R2 (Replica) KZ 1100 A1-A3 KZ 1100 B1/B2 (GPZ) KZ 1100 D1/D2 (Spectre) KZ 1100 L1 (LTD) VN 1500 A1-A13 Vulcan VN 1500 B1-B4 Vulcan 88 SE | 81-83 81-82 81-82 82-03/05 82-83 81-83 81-82 82-83 83 87-99 87-90 270 | MD 4084 | Front | S | ZN 1100 B1/B2 (LTD) | 84-85 280 |
| MD 4054 LS/RS | | | Use 4006 LS/RS | | MD 4085 | Rear | S | VN 900 B6F/B7F/B8F/B9F/BAF/BBFA VN 900 C7F/C8F/C9F/CAF/CBF (Cast wheels) VN 900 D6F/D7F/D8F/D9F/DAF/DBF ZN 1100 B1/B2 (LTD) | 06-11 07-11 06-11 84-85 270 |
| MD 4059 LS MD 4059 RS | Front | D | KZ 650 C1-C3 Custom KZ 650 D1/D1A/D2 'SR' series | 77-79 78-79 278 | MD 4086 | Rear | D | | 276 |
| MD 4060 LS | | | Use 4006 LS | | MD 4087 | Front | S | ZG 1200 A1/A2/B1-B17 (Voyager XII) | 86-03 280 |
| MD 4062 | Rear | D | KZ 650 C3 Custom From F/No 023101 | -79 276 | MD 4088 | Rear | S | ZG 1200 A1/A2/B1-B17 (Voyager XII) | 86-03 290 |
| MD 4063 | Rear | D | KZ 650 D2 'SR' series KZ 1000 B3/B4 (LTD) KZ 1000 G1 Classic | 79 79-80 80 278 | MD 4089 LS MD 4089 RS | Front | D | KZ 1300 A1-A4 KZ 1300 B2 (Touring) | 79-82 80 299 |
| MD 4064 LS MD 4064 RS | Front | D | KZ 650 E1 (LTD) KZ 650 F1 KZ 1000 A3/A3A/A4 KZ 1000 B3/B4 (LTD) KZ 1000 C2/C3/C4 KZ 1000 G1 Classic | 80 80 79-80 79-80 79-81 80 295 | MD 4090 | Rear | S | KZ 1000 E1/E2 ST & Shaft KZ 1300 A1-A4 KZ 1300 B2 (Touring) | 79-80 79-82 80 290 |
| MD 4065 LS | Front | D | KZ 650 H1-H3 (CSR) | 81-83 280 | MD 4091 | Front | S | KZ 1000 P1-P22/P24 (Police) ZN 1300 A1-A6 (Voyager) | 82-03/05 83-88 300 |
| MD 4066 LS | Front | D | KZ 750 M1 (CSR) | 82 280 | MD 4092 | Rear | S | ZN 1300 A1-A6 (Voyager) | 83-88 300 |
| | | | | | MD 4093 LS | | | Use MD4124LS | |
| | | | | | MD 4094 LS | Front | F | VN 1500 B1-B4 Vulcan 88 SE | 87-90 300 |
| | | | | | MD 4099 | Front | S | EX 305 B1 (GPZ) KZ 550 H1/H2 (GPZ) | 83 82-83 260 |

F = FLOATING ROTOR
S/F = FLOATING CONVERSION FOR FLAT SOLID ROTOR

CODES FOR TYPES
S = FLAT SOLID
D = FLOATING ROTOR CONVERSION FOR DISHED SOLID ROTOR

DISC
BUYERS GUIDE

DIRTBIKE DISC BUYERS GUIDE

CODES FOR TYPES
S = FLAT SOLID
D = FLOATING ROTOR CONVERSION FOR DISHED SOLID ROTOR

F = FLOATING ROTOR
S/F = FLOATING ROTOR CONVERSION FOR FLAT SOLID ROTOR

DISC
BUYERS GUIDE

| Disc No | Front /Rear | Type | Models | Dia (mm) | Disc No | Front /Rear | Type | Models | Dia (mm) |
|---------------------------------------|-------------|------|--|----------|---|-------------|------|---|----------|
| MD 4115 LS | | | Use MD4125LS | | MD 4147 | Rear | S | VN 1500 G1/G2/G3/L2/L3/L4/L5/L6 99-05 VN 2000 D1/D6F Vulcan Ltd 05-06 VN 2000 A1/A2/A6F/A7F/G8F/G9F Vulcan 04-09 VN 2000 E6F/E7F/H8F/H9F Vulcan Classic 06-09 VN 2000 F6F/F7F/J8F/J9F Vulcan Classic LT 06-09 | 320 |
| MD 4124 LS | Front | F | EN 500 C1-C10/C6F/C7F/C8F/C9F Vulcan 500 Ltd 96-09 VN 800 A1-A11 Vulcan Classic 96-05 VN 1500 C3/C4 96-97 VN 1500 A1-A13 Vulcan 87-99 | 300 | MD 4148 | Rear | S | VN 800 C1/C2/E1/E2/E3/E4/E5/E6F 99-06 VN 1500 J1/J1L/J2/J2L/R1/R2/R3/R4/R5 /N1/N2/E4/E5/E6/E7 00-05 VN 1500 N4/N6F/N7F/N7FA/N8F/N8FA Vulcan 1500 Classic 05-08 | 270 |
| MD 4125 LS | Front | S | VN 800 B1-B10 Vulcan Classic 96-05 VN 800 C1/C 2/E1/E2/E3/E4/E5/E6F 99-06 VN 1500 D1/D2/E1-E7 Vulcan Classic 96-04 VN 1500 J1/J2/R1/R2/R3/R4/R5 99-05 VN 1500 N1/N2/N3 Classic Fi 00-02 VN 1500 N4/N6F/N7F/N8F/N8FA Vulcan 1500 Classic 05-08 | 300 | MD 4150 | Front | S | VN 1500 G1/G1A/G2A/G3/L2/L3/L4/L5/L6 99-05 | 280 |
| MD 4128 | Rear | S | VN 1500 C3/C4 96-97 VN 1500 D1/D2/E1-E3 Vulcan Classic 96-00 | 270 | MD 4151 X MD 4151 XC | Front | F | ZX 6RR (ZX 600 K1/M1) 599cc 03-04 ZX 6R (ZX 636 B1/B2) 636cc 03-04 | 280 |
| MD 4129 LS/RS | | | Use MD4008 | | MD 4152 XC MD 4152 CC | Front | F | ZX6RR (ZX 600 N1/N6F 599cc) 05-06 ZX6R (ZX 636 C1/C6F/D6F 636cc) 05-06 ZX6R (ZX 600 P7F/P8F/R9F/RAF/RBF) 07-11 ZX 1000 C1/C2/D6F/D7F (ZX10R) 04-07 Z 1000 (ZR 1000 B7F/B8F) 07-08 | 300 |
| MD 4130 | Rear | S | GPZ 1100 (ZX1100 E1/E2/E3) 95-97 GPZ 1100 (ZX1100 F1) 96-97 | 250 | MD 4153 X MD 4153 XC MD 4153 CC | Front | F | ZX 600 E4-E13 (ZZR 600) 96-05 | 300 |
| MD 4132 RS | Front | F | GPZ 1100 F1 ABS Model 96-97 | 300 | MD 4154 X MD 4154 XC MD 4154 CC | Front | F | Z 1000 (ZR 1000 A1-A3/A6F) 03-06 ZX 12 R (EX 1200 B3-B4) 04-05 | 300 |
| MD 4133 MD 4133 C | Rear | S | (ZR 1100 C3/C4) ZRX 1100 99-00 ZRX 1200 R (ZR 1200 A1/A2/A3/A4/A5) 01-05 ZX 1200 C1/C2/C3/C4 (ZZR 1200) 02-05 | 250 | MD 4155 XC MD 4155 CC | Front | F | Concours 14 (ZG 1400 B8F/B9F/DAF) 08-11 Concours 14 ABS (ZG 1400 A8F/A9F/CAF/CBF) 08-11 ZX 14 Ninja (ZX 1400 A6F/A7F/C8F/C9C/CAF/CBF) 06-11 | 310 |
| MD 4136 X MD 4136 XC MD 4136 CC | Front | F | ZX 6R (ZX 600 G1/G2/J1/J2/J3) 98-02 ZX 6R (ZX636A1) 02 ZZR 600 (ZX 600 J4/J6F/J7F/J8F) 05-08 ZX 9R (ZX 900 C1/C2) 98-99 | 300 | MD 4157 C | Rear | S | ZXR 1400 (ZX 1400 A6F/A7F/C8F/C9F/CAF) 06-10 Z 1000 (ZR 1000 B7F/B8F/B9F/BAF) 07-08 Z 1000 (ZR 1000 DAF/DBF) 10-11 ZX 14 Ninja (ZX 1400 A6F/A7F/C8F/C9C/CAF/CBF) 06-11 | 250 |
| MD 4137 RS | Front | S | BN 125 A4-A8/A6F/A7F/A9F 01-09 | 260 | MD 4158 | Front | S | VN 900 B6F/B7F/B8F/B9F/BAF/BBFA Classic 06-11 VN 900 C7F/C8F/C9F/CAF/CBF (Cast wheels) 07-11 VN 900 D6F/D7F/D8F/D9F/DAF/DBF Classic LT 06-11 VN 1600 D1/D6F/D7F/D7FA/D8F/D8FA Nomad 05-08 VN 1700 A9FA/AAF/ABF Vulcan 1700 Voyager 09-11 VN 1700 B9FA/BAF/BBF Vulcan 1700 Voyager ABS 09-11 VN 1700 C9F/CAF/CBF Vulcan 1700 Nomad 09-11 VN 1700 C9FA Vulcan 1700 Nomad 2T 09 VN 1700 E9F/EA/EBF Vulcan 1700 Classic 09-11 VN 1700 G9F/GAF Vulcan 1700 Classic LT 09-11 VN 1600 A1/A2/A3/A6F/A7F/A7FA/A8F/A8FA 03-08 VN 2000 D1/D6F Vulcan Ltd 05-06 VN 2000 A1/A2/A6F/A7F/G8F/G9F Vulcan 04-09 VN 2000 E6F/E7F/H8F/H9F Vulcan Classic 06-09 VN 2000 F6F/F7F/J8F/J9F/JAF Vulcan Classic LT 06-10 | 300 |
| MD 4138 MD 4138 C | Rear | S | ZX 6R (ZX 600 G1/G2/J1/J2/J3) 98-02 ZX 6R (ZX636A1) 02 ZX 6R (ZX 636 C1/C6F/D6F 636cc) 05-06 ZX 6RR (ZX 600 K1/M1/N1) 599cc 03-05 ZX 6R (ZX 636 B1/B2) 636cc 03-04 ZX6R (ZX 600 P7F/P8F/R9F/RAF/RBF) 07-11 ZZR 600 (ZX 600 J4/J6F/J7F/J8F) 05-08 ER 650 C9F/CAF ER-6N 09-10 KLE 650 A7F/A8F/A9F/CAF/CBF Versys 0711 Ninja 650 R (EX 650 A6F/A7F/A8F /C9F/CAF/CBF) 06-11 ZX 9R (ZX 900 C1/C2/E1/E2/F1/F2) 98-03 Z 1000 (ZR 1000 A1/A2/A3) 03-05 Z 1000 (ZR 1000 A6F) 06 ZX 10R (ZX 1000 C1/C2/DF6/D7F) 04-07 ZX 10R (ZX 1000 E8F/E9F/FAF) 08-10 ZX 10 R (ZX 1000 JBF) 11 | 220 | MD 4159 XC | Front | F | ER 650 C9F ER-6N 09 EX 650 A6F/A7F/A8F/C9F/CAF/CBF (Ninja 650 R) 06-11 KLE 650 A7F/A8F/A9F/CAF/CBF Versys 07-11 | 300 |
| MD 4141 X MD 4141 XC MD 4141 CC | Front | F | ZX 600 D1-D4 (ZX6) 90-93 ZR 750 F2 (ZR-7) 00-01 ZR 750 H1/H2/H3/H4/H5 (ZR7S) 01-05 ZR 750 S (ZR 750 K1/K6F) 05-06 | 300 | MD 4160 C | Rear | S | Concours 14 (ZG 1400 B8F/B9F/DAF) 08-11 Concours 14 ABS (ZG 1400 A8F/A9F/CAF/CBF) 08-11 | 270 |
| MD 4142 | Rear | S | ZR 750 F2 (ZR-7) 00-01 ZR 750 H1/H2/H3/H4/H5 (ZR7S) 01-05 Z 750 S (ZR 750 K1/K6F) 05-06 | 240 | MD 4161 XC | Front | F | ZX 10 R E8F/E9F/FAF 08-10 ZX 10 R (ZX 1000 JBF) 11 | 310 |
| MD 4146 | Rear | S | VN 1500 P1/P2 02-03 VN 1600 A1/A2/A3/A6F/A7F/B6F/B7F/A7FA/A8F /A8FA Classic 03-08 VN 1600 B1/B2/B6F/B7F/B7FA/B8F/B8FA Mean Streak 04-08 VN 1600 D1/D6F/D7F/D7FA/D8F/D8FA Nomad 05-08 Suzuki VZ 1600 K4 Marauder 04 VZ 1600 K5 M95 Boulevard/Marauder 05 | 300 | MD 4162 C Floating Conversion MD 4162 XC | Front | S | EX 250 J8F/J9F/JAF/JBF (Ninja 250 R) 08-11 | 290 |
| | | | | | MD 4163 C | Front | F | EX 250 J8F/J9F/JAF/JBF (Ninja 250 R) 08-11 | 290 |
| | | | | | MD 4163 C | Rear | S | EX 250 J8F/J9F/JAF/JBF (Ninja 250 R) 08-11 | 260 |

All part numbers, prefixes and suffixes shown in this catalog are unique and form a registered copyright as the property of EBC Brakes and its UK trademark owners

STREETBIKE BRAKE ROTORS

OEM - EBC X-REFERENCE

| OEM # | EBC # | OEM # | EBC # | OEM # | EBC # |
|-------------------|--------|------------------|--------|-------------------|--------|
| HONDA | | HONDA | | HONDA | |
| 43120 371 000 | MD1071 | 45120 MB7 610 | MD1076 | 45251 MAJ 000 | MD1021 |
| 43120 445 630 | MD1082 | 45120 MB9 870 | MD1133 | 45251 MC8 670 | MD1047 |
| 43120 463 000 | MD1071 | 45120 MBG 003 | MD1014 | 45251 MB0 000 | MD1001 |
| 43120 MA3 000 | MD1116 | 45120 MBW E11 | MD1141 | 45251 MB0 700 | MD1001 |
| 43120 MA3 660 | MD1116 | 45120 MG9 000 | MD1083 | 45251 MB1 000 | MD1040 |
| 43120 MB9 000/870 | MD1082 | 45120 MN8 000 | MD1124 | 45251 MB1 700 | MD1040 |
| 43120 MG9 000 | MD1082 | 45120 MN8 910 | MD1124 | 45251 MB2 000 | MD1083 |
| 43120 MG9 870 | MD1082 | 45120 MG9 870 | MD1125 | 45251 MBL 611 | MD1008 |
| 43121 422 000 | MD1071 | 45120 MR7 000 | MD1010 | 45251 ME2 000 | MD1040 |
| 43121 MC8 670 | MD1048 | 45120 MR7 010 | MD1010 | 45251 ME5 780 | MD1001 |
| 43251 KBS 900 ZA | MD1110 | 45120 MR8 781 | MD1093 | 45251 MF2 000 | MD1006 |
| 43251 KEA 000 | MD1004 | 45120 MV4 781 | MD1003 | 45251 MF5 000 | MD1047 |
| 43251 MAJ 000 | MD1102 | 45120 MW0 003 | MD1014 | 45251 MF5 750 | MD1047 |
| 43251 MAT 000 | MD1006 | 45120 MW4 003 | MD1012 | 45251 MG5 670 | MD1001 |
| 43251 MBL 611 | MD1001 | 45120 MZ1 003 | MD1056 | 45251 ML0 000 | MD1006 |
| 43251 MBG 000 | MD1007 | 45120 MZ7 000 | MD1003 | 45251 ML4 000 | MD1005 |
| 43251 MR7 000 | MD1011 | 45121 107 720 | MD1027 | 45251 ML7 000/700 | MD1001 |
| 43251 MR8 000 | MD1111 | 45121 GAV 700 ZA | MD901D | 45251 ML7 690 | MD1001 |
| 43251 MT2 003 | MD1127 | 45121 KR1 760 | MD1084 | 45251 MJ1 670 | MD1001 |
| 43251 MT4 000 | MD1007 | 45121 KS4 000 | MD908D | 45251 MJ4 000 | MD4148 |
| 43251 MT8 000 | MD1077 | 45121 KY4 900 ZA | MD1088 | 45251 MK3 000 | MD1040 |
| 43251 MV4 000 | MD1004 | 45121 MA3 000 | MD1099 | 45251 MK3 010 | MD1040 |
| 43251 MW3 600 | MD1020 | 452A5 426 610 | MD1037 | 45251 MK4 600 | MD1001 |
| 43251 MW4 000 | MD1013 | 452A5 438 305 | MD1036 | 45251 MK7 670 | MD1047 |
| 43251 MZ2 000 | MD1006 | 45210 MC7 000 | MD1115 | 45251 MM2 670 | MD1041 |
| 43350 MB2 000 | MD1068 | 45220 KAF 000 ZA | MD1038 | 45251 MM5 000 | MD1008 |
| 43350 MS9 000 | MD1025 | 45220 MA2 000 | MD1072 | 45251 MM8 000 | MD1080 |
| 43350 MS9 870 | MD1025 | 45220 MAE 000 | MD1003 | 45251 MN0 000 | MD1059 |
| 43351 KAF 000 | MD1039 | 45220 MAL 601 | MD1003 | 45251 MN5 003 | MD1126 |
| 43351 KT8 000 | MD1002 | 45220 MAL G01 | MD1003 | 45251 MN8 670 | MD1021 |
| 43351 KM4 000 | MD1002 | 45220 MAT 003 | MD1120 | 45251 MR1 000 | MD1047 |
| 43351 KV3 000 | MD1002 | 45220 MAT E01Z | MD1136 | 45251 MR1 670 | MD1047 |
| 43351 KV3 950 | MD1111 | 45220 MAS E01 | MD1134 | 45251 MR6 670 | MD1047 |
| 43351 MAJ G40 | MD1118 | 45220 MB9 870 | MD1133 | 45251 MS2 000 | MD1008 |
| 43351 MB4 000 | MD1078 | 45220 MBG 003 | MD1014 | 45251 MS2 010 | MD1008 |
| 43351 MB4 830 | MD1078 | 45220 MB7 610 | MD1076 | 45251 MS9 610 | MD1021 |
| 43351 MF2 000 | MD1006 | 45220 MBW E11 | MD1141 | 45251 MS9 750 | MD1021 |
| 43351 MG1 000 | MD1073 | 45220 MC7 000 | MD1115 | 45251 MT2 003 | MD1126 |
| 43351 MG5 670 | MD1068 | 45220 MG9 000 | MD1083 | 45251 MT3 000 | MD1021 |
| 43351 MJ0 000 | MD1079 | 45220 MG9 870 | MD1125 | 45251 MT8 000 | MD1126 |
| 43351 MJ6 000 | MD1006 | 45220 MR7 000 | MD1010 | 45251 MV9 000 | MD1001 |
| 43351 ML0 730 | MD1022 | 45220 MR7 010 | MD1010 | 45351 MAJ 000 | MD1101 |
| 43351 MM4 000 | MD1006 | 45220 MV4 781 | MD1003 | 45351 GBM 750 | MD906D |
| 43351 MM5 000 | MD1001 | 45220 MW4 003 | MD1012 | 45351 KBG 700 | MD1089 |
| 43351 MM5 010 | MD1001 | 45220 MZ1 003 | MD1056 | 45351 KM4 000 | MD1006 |
| 43351 MS2 000 | MD1016 | 45220 MZ7 000 | MD1003 | 45351 MB0 000 | MD1001 |
| 45120 300 040 | MD1045 | 45251 351 700 | MD1029 | 45351 MB0 700 | MD1001 |
| 45120 317 701 | MD1033 | 45251 410 000 | MD1035 | 45351 MB1 000 | MD1040 |
| 45120 323 020 | MD1042 | 45251 410 305 | MD1035 | 45351 MB1 700 | MD1040 |
| 45120 341 000 | MD1045 | 45251 413 940 | MD1036 | 45351 MB2 000 | MD1083 |
| 45120 369 000 | MD1034 | 45251 413 941 | MD1036 | 45351 MBL 611 | MD1008 |
| 45120 371 000 | MD1074 | 45251 415 000 | MD1037 | 45351 MG5 670 | MD1001 |
| 45120 374 000 | MD1042 | 45251 415 611 | MD1037 | 45351 MJ1 670 | MD1001 |
| 45120 374 700 | MD1042 | 45251 415 612 | MD1037 | 45351 MJ4 000 | MD1146 |
| 45120 392 000 | MD1062 | 45251 422 000 | MD1036 | 45351 MK3 000 | MD1040 |
| 45120 393 780 | MD1063 | 45251 422 010 | MD1036 | 45351 MK3 010 | MD1040 |
| 45120 443 883 | MD1112 | 45251 422 020 | MD1036 | 45351 ML4 000 | MD1005 |
| 45120 443 740 | MD1113 | 45251 425 000 | MD1052 | 45351 MN5 003 | MD1126 |
| 45120 KBS 900 ZA | MD1088 | 45251 460 700 | MD1052 | 45351 MR5 000 | MD1069 |
| 45120 KV0 841 | MD1032 | 45251 KC1 730 | MD1028 | 45351 MS8 010 | MD1008 |
| 45120 KY2 003 | MD1003 | 45251 KE5 000 | MD1090 | 45351 MS8 020 | MD1008 |
| 45120 MAS E01 | MD1134 | 45251 KN8 000 | MD1040 | 45351 MT2 002 | MD1126 |
| 45120 MAE 000 | MD1003 | 45251 KM4 000 | MD1006 | 45351 MT2 003 | MD1126 |
| 45120 MAL 601 | MD1003 | 45251 KR3 000 | MD1030 | 45351 MT3 000 | MD1021 |
| 45120 MAL G01 | MD1003 | 45251 KT8 000 | MD1001 | 45351 MT8 000 | MD1126 |
| 45120 MAT 003 | MD1120 | 45251 MA1 000 | MD1044 | 45351 MV9 000 | MD1001 |
| 45120 MAT E01Z | MD1136 | 45251 MA1 770 | MD1044 | | |

FRONT LEFT - ADD LS SUFFIX TO PART #

FRONT RIGHT - ADD RS SUFFIX TO PART #

REARS - HAVE NO SUFFIX

All part numbers, prefixes and suffixes shown in this catalog are unique and form a registered copyright as the property of EBC Brakes and its UK trademark owners

STREETBIKE BRAKE ROTORS

OEM - EBC X-REFERENCE

| OEM # | EBC # | OEM # | EBC # | OEM # | EBC # |
|-----------------|--------|------------------|--------|-----------------|--------|
| KAWASAKI | | KAWASAKI | | KAWASAKI | |
| 41080 001 | MD4069 | 41080 1120 | MD4033 | 41080 1255 FB | MD4009 |
| 41080 004 | MD4046 | 41080 1121 | MD4127 | 41080 1268 CM | MD4048 |
| 41080 005 | MD4052 | 41080 1123 | MD4089 | 41080 1274 FF | MD4008 |
| 41080 006 | MD4044 | 41080 1124 | MD4090 | 41080 1275 FF | MD4008 |
| 41080 007 | MD4076 | 41080 1125 | MD4091 | 41080 1279 CM | MD4117 |
| 41080 008 | MD4062 | 41080 1126 | MD4092 | 41080 1280 CM | MD4008 |
| 41080 009 CM | MD4124 | 41080 1127 | MD4060 | 41080 1281 CM | MD4008 |
| 41080 010 | MD4077 | 41080 1128 | MD4054 | 41080 1282 CN | MD4008 |
| 41080 012 | MD4073 | 41080 1129 | MD4070 | 41080 1283 CN | MD4008 |
| 41080 012CM | MD4010 | 41080 1130 | MD4010 | 41080 1284 CN | MD4012 |
| 41080 013 | MD4030 | 41080 1131 | MD4010 | 41080 1285 CN | MD4012 |
| 41080 032 FB | MD4016 | 41080 1132 | MD4006 | 41080 1296 CM | MD4008 |
| 41080 033 FB | MD4051 | 41080 1133 | MD4108 | 41080 1297 CM | MD4008 |
| 41080 1001 | MD4045 | 41080 1135 | MD4001 | 41080 1306 CM | MD4022 |
| 41080 1002 | MD4059 | 41080 1136 | MD4004 | 41080 1307 CM | MD4022 |
| 41080 1003 | MD4076 | 41080 1137 | MD4105 | 41080 1312 FF | MD4005 |
| 41080 1004 | MD4077 | 41080 1139 | MD4099 | 41080 1313 FF | MD4005 |
| 41080 1006 | MD4089 | 41080 1140 | MD4040 | 41080 1316 FF | MD4141 |
| 41080 1007 | MD4090 | 41080 1149 | MD4028 | 41080 1317 FF | MD4141 |
| 41080 1013 | MD4123 | 41080 1150 | MD4028 | 41080 1318 CN | MD4012 |
| 41080 1019 | MD4059 | 41080 1151 | MD4015 | 41080 1318 FF | MD4012 |
| 41080 1020 | MD4063 | 41080 1152 CM | MD4135 | 41080 1319 CN | MD4012 |
| 41080 1021 | MD4086 | 41080 1153 CM | MD4135 | 41080 1319 FF | MD4012 |
| 41080 1022 | MD4064 | 41080 1154 | MD4016 | 41080 1322 CM | MD4095 |
| 41080 1023 | MD4077 | 41080 1155 | MD4016 | 41080 1323 CM | MD4095 |
| 41080 1026 | MD4078 | 41080 1156 | MD4019 | 41080 1328 CN | MD4008 |
| 41080 1027 | MD4047 | 41080 1163 | MD4087 | 41080 1329 CN | MD4008 |
| 41080 1029 | MD4116 | 41080 1164 | MD4088 | 41080 1349 FF | MD4114 |
| 41080 1030 | MD4010 | 41080 1167 | MD4031 | 41080 1350 FF | MD4114 |
| 41080 1031 | MD4010 | 41080 1168 | MD4032 | 41080 1351 FF | MD4022 |
| 41080 1032 | MD4053 | 41080 1170 | MD4082 | 41080 1352 FF | MD4153 |
| 41080 1033 | MD4060 | 41080 1175 CM | MD4071 | 41080 1353 FB | MD4014 |
| 41080 1035 | MD4054 | 41080 1176 CM | MD4071 | 41080 1360 FF | MD4008 |
| 41080 1037 | MD4065 | 41080 1177 | MD4007 | 41080 1362 | MD4112 |
| 41080 1038 | MD4038 | 41080 1177 CM | MD4007 | 41080 1368 | MD4113 |
| 41080 1039 | MD4040 | 41080 1181 | MD4016 | 41080 1369 FB | MD4008 |
| 41080 1040 | MD4043 | 41080 1183 | MD4026 | 41080 1369 FF | MD4008 |
| 41080 1041 | MD4080 | 41080 1184 | MD4026 | 41080 1371 FB | MD4016 |
| 41080 1042 | MD4066 | 41080 1186 | MD4093 | 41080 1376 CM | MD4124 |
| 41080 1045 | MD4099 | 41080 1192 | MD4027 | 41080 1378 CM | MD4128 |
| 41080 1046 | MD4024 | 41080 1192 FB | MD4027 | 41080 1389 FB | MD4023 |
| 41080 1047 | MD4091 | 41080 1193 | MD4041 | 41080 1395 FB | MD4130 |
| 41080 1053 | MD4105 | 41080 1194 | MD4042 | 41080 1398 5C | MD4008 |
| 41080 1056 | MD4070 | 41080 1197 | MD4016 | 41080 1399 SC | MD4129 |
| 41080 1058 | MD4108 | 41080 1198 | MD4016 | 41080 1400 SC | MD4132 |
| 41080 1059 | MD4006 | 41080 1199 | MD4094 | 41080 1401 CM | MD4124 |
| 41080 1060 | MD4006 | 41080 1201 CL | MD4135 | 41080 1407 SC | MD4012 |
| 41080 1061 | MD4091 | 41080 1203 | MD4015 | 41080 1408 FF | MD4022 |
| 41080 1062 | MD4092 | 41080 1204 CL | MD4135 | 41080 1410 5C | MD4008 |
| 41080 1070 | MD4037 | 41080 1205 | MD4028 | 41080 1415 CM | MD4125 |
| 41080 1081 | MD4099 | 41080 1206 | MD4028 | 41080 1416 CM | MD4131 |
| 41080 1103 | MD4105 | 41080 1207 CM | MD4095 | 41080 1422 LL | MD4133 |
| 41080 1106 | MD4002 | 41080 1208 CM | MD4095 | 41080 1423 LN | MD4012 |
| 41080 1106 CM | MD4002 | 41080 1209 CM | MD4096 | 41080 1434 | MD4137 |
| 41080 1107 | MD4016 | 41080 1211 CM | MD4134 | 41080 1436 SC | MD4153 |
| 41080 1108 | MD4017 | 41080 1212 CM | MD4134 | 41080 1437 A4 | MD4136 |
| 41080 1109 | MD4016 | 41080 1213 FB/CL | MD4009 | 41080 1443 CL | MD4138 |
| 41080 1110 | MD4033 | 41080 1217 CM | MD4021 | 41080 1451 | MD4137 |
| 41080 1111 | MD4034 | 41080 1218 CM | MD4021 | 41080 1461 A4 | MD4012 |
| 41080 1112 | MD4035 | 41080 1219 CM | MD4015 | 41080 1462 | MD4008 |
| 41080 1113 | MD4036 | 41080 1240 CN | MD4012 | | |
| 41080 1116 | MD4084 | 41080 1241 CN | MD4012 | | |
| 41080 1117 | MD4085 | 41080 1242 CL | MD4013 | | |
| 41080 1118 | MD4067 | 41080 1242 FB | MD4013 | | |
| 41080 1119 | MD4068 | 41080 1251 FB | MD4051 | | |

DISC BUYERS GUIDE

FRONT LEFT - ADD LS SUFFIX TO PART # FRONT RIGHT - ADD RS SUFFIX TO PART # REARS - HAVE NO SUFFIX

358 All part numbers, prefixes and suffixes shown in this catalog are unique and form a registered copyright as the property of EBC Brakes and its UK trademark owners

STREETBIKE BRAKE ROTORS

OEM - EBC X-REFERENCE

| OEM # | EBC # | OEM # | EBC # | OEM # | EBC # |
|-----------------|--------|-----------------|--------|-----------------|--------|
| SUZUKI | | SUZUKI | | SUZUKI | |
| 59210 00A00 | MD3039 | 59211 09300 | MD3028 | 59220 40C10 | MD3007 |
| 59210 00A01 | MD3039 | 59211 13001 | MD3011 | 59220 40C11 | MD3007 |
| 59210 04A00 | MD3065 | 59211 19C00 OVA | MD3001 | 59220 46D10 | MD3003 |
| 59210 04A01 | MD3065 | 59211 20E00 | MD911D | 59220 48B00 | MD3039 |
| 59210 06B00 | MD3004 | 59211 24A00 | MD3042 | 59220 48B01 | MD3039 |
| 59210 06B01 | MD3004 | 59211 24A10 | MD3042 | 59220 48B11 | MD3039 |
| 59210 08F00 | MD3003 | 59211 24B00 | MD3017 | 59220 48B20 | MD3039 |
| 59210 08F10 | MD3090 | 59211 26D00 | MD3037 | 59220 49150 | MD3014 |
| 59210 17C00 | MD3007 | 59211 28B00 | MD3010 | 59220 49160 | MD3014 |
| 59210 17C01 | MD3007 | 59211 29C10 | MD3010 | 59211 05C00 20P | MD3074 |
| 59210 17C31 | MD3007 | 59211 34500 | MD3022 | 59211 10F00 | MD3078 |
| 59210 17E00 | MD3007 | 59211 34550 | MD3022 | 59221 00A00 28W | MD3001 |
| 59210 17E10 | MD3007 | 59211 36201 | MD3012 | 59221 05C10 36R | MD3074 |
| 59210 18401 | MD3014 | 59211 36202 | MD3012 | 59221 05C11 36R | MD3074 |
| 59210 18450 | MD3014 | 59211 36A00 | MD3048 | 59221 09300 | MD3028 |
| 59210 18460 | MD3014 | 59211 38A00 | MD3031 | 59221 19C00 OVA | MD3001 |
| 59210 21A01 | MD3070 | 59211 38A10 | MD3073 | 59221 26D00 | MD3037 |
| 59210 22D00 | MD3045 | 59211 38B00 | MD3032 | 59221 45250 | MD3014 |
| 59210 22D10 | MD3045 | 59211 44000 | MD3014 | 59221 45260 | MD3014 |
| 59210 22D40 | MD3045 | 59211 44001 | MD3014 | 59221 45C00 | MD3033 |
| 59210 22D80 | MD3045 | 59211 45200 | MD3014 | 59221 45C10 | MD3033 |
| 59210 27A00 | MD3005 | 59211 45250 | MD3014 | 69210 00A01 | MD3039 |
| 59210 27A01 | MD3005 | 59211 45260 | MD3014 | 69210 10F00 | MD3079 |
| 59210 27A30 | MD3004 | 59211 47000 | MD3020 | 69210 31300 | MD3029 |
| 59210 27E50 | MD3075 | 59220 00A00 | MD3039 | 69211 00A00 291 | MD3069 |
| 59210 31E00 | MD3006 | 59220 00A01 | MD3039 | 69211 01D00 | MD3002 |
| 59210 31E10 | MD3006 | 59220 01D11 | MD3006 | 69211 04A00 | MD3064 |
| 59210 32C00 | MD3003 | 59220 01D21 | MD3006 | 69211 05A01 | MD3041 |
| 59210 32C01 | MD3003 | 59220 01D30 | MD3006 | 69211 05A50 | MD3041 |
| 59210 32C10 | MD3003 | 59220 04A00 | MD3065 | 69211 05A60 | MD3041 |
| 59210 32C11 | MD3003 | 59220 04A01 | MD3065 | 69211 16750 | MD3064 |
| 59210 32C31 | MD3003 | 59220 06B00 | MD3004 | 69211 16752 | MD3064 |
| 59210 32C70 | MD3003 | 59220 06B01 | MD3004 | 69211 17C00 | MD3008 |
| 59210 32C80 | MD3003 | 59220 17C00 | MD3007 | 69211 17C10 | MD3008 |
| 59210 33200 | MD3066 | 59220 17C01 | MD3007 | 69211 19C00 | MD3002 |
| 59210 33400 | MD3024 | 59220 17C31 | MD3007 | 69211 19D00 | MD3059 |
| 59210 33E00/E10 | MD3058 | 59220 17E00/E20 | MD3007 | 69211 21E00 | MD3008 |
| 59210 33E20/E40 | MD3058 | 59220 17E10/E40 | MD3007 | 69211 22D00 | MD3051 |
| 59210 34000 | MD3019 | 59220 21A01 | MD3070 | 69211 24A00 | MD3043 |
| 59210 37000 | MD3019 | 59220 22D00 | MD3045 | 69211 24A10 | MD3043 |
| 59210 37001 | MD3019 | 59220 22D10 | MD3045 | 69211 26D00 | MD3038 |
| 59210 40C01 | MD3007 | 59220 22D40 | MD3045 | 69211 27A00 | MD3009 |
| 59210 40C02 | MD3007 | 59220 27A00 | MD3005 | 69211 27E50 | MD3076 |
| 59210 40C03 | MD3007 | 59220 27A01 | MD3005 | 69211 32C00 | MD3081 |
| 59210 40C10 | MD3007 | 59220 27A30 | MD3004 | 69211 32C30 | MD3081 |
| 59210 40C11 | MD3007 | 59220 27E50 | MD3075 | 69211 33200 | MD3067 |
| 59210 45250 | MD3014 | 59220 31E00 | MD3006 | 69211 33250 | MD3025 |
| 59210 46D10 | MD3003 | 59220 31E10 | MD3006 | 69211 33E10 | MD3060 |
| 59210 48B00 | MD3039 | 59220 32C00 | MD3003 | 69211 33E00 | MD3060 |
| 59210 48B01 | MD3039 | 59220 32C01 | MD3003 | 69211 34250 | MD3027 |
| 59210 48B11 | MD3039 | 59220 32C10 | MD3003 | 69211 34260 | MD3027 |
| 59210 48B20 | MD3039 | 59220 32C11 | MD3003 | 69211 34C00 | MD3002 |
| 59210 49000 | MD3014 | 59220 32C31 | MD3003 | 69211 38B00 | MD3044 |
| 59211 00A00 28W | MD3001 | 59220 32C70 | MD3003 | 69211 45C00 | MD3061 |
| 59211 05A11 | MD3030 | 59220 32C80 | MD3003 | 69211 45C10 | MD3061 |
| 59211 05A50 | MD3030 | 59220 33200 | MD3066 | 69211 48B10 | MD3036 |
| 59211 05A60 | MD3030 | 59220 33400 | MD3024 | 69211 42F00 | MD3083 |
| 59211 05C10 36R | MD3074 | 59220 40C01 | MD3007 | | |
| 59211 05C11 36R | MD3074 | 59220 40C02 | MD3007 | | |
| 59211 09EA0 | MD912D | 59220 40C03 | MD3007 | | |

FRONT LEFT - ADD LS SUFFIX TO PART #

FRONT RIGHT - ADD RS SUFFIX TO PART #

REARS - HAVE NO SUFFIX

All part numbers, prefixes and suffixes shown in this catalog are unique and form a registered copyright as the property of EBC Brakes and its UK trademark owners

STREETBIKE BRAKE ROTORS

OEM - EBC X-REFERENCE

| OEM # | EBC # | OEM # | EBC # | OEM # | EBC # |
|---------------|--------|---------------|--------|---------------|--------|
| YAMAHA | | YAMAHA | | YAMAHA | |
| 10M 25831 50 | MD2025 | 3FV 25830 00 | MD2009 | 5G9 25831 10 | MD2019 |
| 11H 25831 00 | MD2076 | 3GM 2581T 00 | MD2003 | 5K5 25831 10 | MD2023 |
| 11 U 25831 00 | MD2011 | 3GM 2582W 00 | MD2011 | 5JJ 2581T 10 | MD2074 |
| 16G 25831 00 | MD2033 | 3H5 25831 00 | MD2024 | 5EL 2582W 00 | MD2092 |
| 16G 25831 10 | MD2033 | 3H5 25831 10 | MD2024 | | |
| 1GU 25831 00 | MD2053 | 3HE 2581T 00 | MD2001 | | |
| 1HX 25831 00 | MD2053 | 3J2 25831 00 | MD2039 | | |
| 1J3 25831 00 | MD2024 | 3J2 25831 10 | MD2039 | | |
| 1J3 25831 50 | MD2025 | 3JB 25831 00 | MD2023 | | |
| 1KT 25830 01 | MD2003 | 3JB 2582 U 00 | MD2076 | | |
| 1KT 25831 50 | MD2021 | 3JK 25831 00 | MD2011 | | |
| 1L9 25831 00 | MD2019 | 3JK 25831 10 | MD2011 | | |
| 1NL 25830 50 | MD2049 | 3JP 2581T 00 | MD2074 | | |
| 1NL 25830 51 | MD2049 | 3JP 2582U 00 | MD2068 | | |
| 1NL 25830 52 | MD2049 | 3JP 2582T 00 | MD2068 | | |
| 1NL 25831 00 | MD2048 | 3JV 2581T 00 | MD2009 | | |
| 1NL 25831 10 | MD2048 | 3LE 2581T 00 | MD2003 | | |
| 1TX 25831 00 | MD2068 | 3LP 2582T 00 | MD2067 | | |
| 1TX 25831 10 | MD2068 | 3LP 2582U 00 | MD2067 | | |
| 1UA 25831 00 | MD2011 | 3LR 2581T 00 | MD2074 | | |
| 1UA 25831 10 | MD2011 | 3PJ 2581T 00 | MD2009 | | |
| 1UF 25831 00 | MD2011 | 3PJ 2581T 01 | MD2009 | | |
| 1UF 25831 10 | MD2011 | 3RG 2581T 00 | MD2001 | | |
| 1WG 25830 01 | MD2020 | 3SH F5830 10 | MD2003 | | |
| 1WG 25830 02 | MD2020 | 3SX 2582W 00 | MD2002 | | |
| 1WG 25831 50 | MD2021 | 3VD 2582W 00 | MD2002 | | |
| 20X 25831 00 | MD2025 | 3XC 2581T 00 | MD2073 | | |
| 23W 25831 00 | MD2018 | 3YA 2581T 00 | MD2046 | | |
| 23W 25831 10 | MD2018 | 3YF 2582T 00 | MD2067 | | |
| 24M 25831 00 | MD2025 | 4X7 25831 00 | MD2024 | | |
| 26H 25831 01 | MD2081 | 404 25831 00 | MD2015 | | |
| 26H 25831 11 | MD2081 | 42H 25831 00 | MD2011 | | |
| 28V 25831 00 | MD2011 | 46X 25831 00 | MD2002 | | |
| 28V 25831 10 | MD2011 | 47X 25831 50 | MD2070 | | |
| 29L 25831 00 | MD2011 | 4BP 2582T 00 | MD2031 | | |
| 29L 25831 10 | MD2011 | 4BH 2582W 00 | MD2075 | | |
| 29L 25831 20 | MD2011 | 4DU 2582W 00 | MD2002 | | |
| 29L 25831 30 | MD2011 | 4FM 2581T 00 | MD2003 | | |
| 2GH 25830 00 | MD2003 | 4FM 2581T 01 | MD2003 | | |
| 2H7 25831 00 | MD2023 | 4FM 2582W 00 | MD2002 | | |
| 2HY 25831 00 | MD2068 | 4H1 25831 00 | MD2025 | | |
| 2HY 25831 10 | MD2068 | 4H1 25831 10 | MD2025 | | |
| 2KT 25831 00 | MD2011 | 4H3 25831 00 | MD2024 | | |
| 2KT 25831 10 | MD2011 | 4H3 25831 10 | MD2024 | | |
| 2NX 25831 00 | MD2002 | 4HM 2581T 00 | MD2001 | | |
| 2RR 25831 00 | MD2014 | 4HM 2582W 00 | MD2002 | | |
| 2TK 25830 00 | MD2022 | 4GA 2582U 00 | MD2079 | | |
| 2TV 25831 00 | MD2056 | 4JH 2582W 00 | MD2002 | | |
| 2TV 25831 01 | MD2056 | 4KG 2581T 00 | MD2003 | | |
| 306 25831 00 | MD2034 | 4KM 2582T 00 | MD2012 | | |
| 31A 25831 01 | MD2069 | 4NK 2582W 00 | MD2078 | | |
| 31A 25831 11 | MD2069 | 4PP 2582T 00 | MD2011 | | |
| 31A 25831 51 | MD2069 | 4SV 2581T 00 | MD2074 | | |
| 351 25831 01 | MD2016 | 4SV 2582W 00 | MD2002 | | |
| 36Y 25831 00 | MD2068 | 4W1 25831 50 | MD2025 | | |
| 36Y 25831 10 | MD2068 | 51Y 25831 00 | MD2011 | | |
| 3CV 25830 00 | MD2001 | 5BN 2582U 00 | MD2076 | | |
| 3CV 25830 10 | MD2001 | 5G2 25831 00 | MD2023 | | |
| 3CW 2581T 00 | MD2001 | 5G2 25831 10 | MD2023 | | |
| 3FV 2582W 00 | MD2008 | 5G9 25831 00 | MD2019 | | |

FRONT LEFT - ADD LS SUFFIX TO PART # FRONT RIGHT - ADD RS SUFFIX TO PART # REARS - HAVE NO SUFFIX

All part numbers, prefixes and suffixes shown in this catalog are unique and form a registered copyright as the property of EBC Brakes and its UK trademark owners

DIRTBIKE DISC BUYERS GUIDE

| Disc No | Front /Rear | Type | Models | Dia (mm) | Disc No | Front /Rear | Type | Models | Dia (mm) | | | |
|---|-------------|-------------------------------------|-----------------------------|----------|--|-------------|------|---------------------------------------|-----------|-------|-----------------------------------|-------|
| MD6001D Options: OS6001/E 280mm oversize SM6001 320mm oversize MD6001C | Front | S | CR 125 R | 92-94 | MD6014D MD6014C | Rear | S | Suzuki | 220 | | | |
| | | | CRF 230 F | 03-11 | | | | RM 125 J | | 88 | | |
| | | | CRF 230 L | 08-11 | | | | RM 125 K/L/M/N/P/R/S/T/V/W | | 89-98 | | |
| | | | CRF 230 M | 09-11 | | | | RM 250 H/J | | 87-88 | | |
| | | | CR 250 R | 92-94 | | | | RM 250 K/L/M/N/P/R/S/T/V/W | | 89-98 | | |
| | | | NX 250 | 88-90 | | | | RMX 250 K/M/N/P/R/S/T/V/W | | 89-98 | | |
| | | | XR 250 R Pro Link | 91-95 | | | | DR-Z 400 SY/SK1/SK2/SK3/SK4/SK5/SK6 | | | | |
| | | | XR 250 R | 96-04 | | | | /SK7/SK8/SK9/SL1 | | 00-11 | | |
| | | | XR 250 L | 91-96 | | | | DR-Z 400 EY/Y/EK1/K1/EK2/K2/K3/EK3/K4 | | | | |
| | | | XR 400 R | 96-04 | | | | /EK4/EK5/EK6/EK7 | | 00-07 | | |
| CR 500 R | 92-94 | Kawasaki | | | | | | | | | | |
| XR 600 R | 91-00 | KLX 400 R (KLX 400 B1/B2) | 03-04 | | | | | | | | | |
| XR 650 R | 00-07 | KLX 400 SR (KLX 400 A1/A2) | 03-04 | | | | | | | | | |
| MD6002D | Rear | S | CR 125 R | 89-97 | MD6015D Options: OS6015 280mm oversize SM6015 320mm oversize MD6015C | Front | S | KX 125 G1/H1/H2/J1/J2/K1-K5/L1-L4 | 89-02 | | | |
| | | | CR 250 R | 89-96 | | | | KDX 200 E5/E6 | 93-94 | | | |
| | | | CR 500 R | 89-00 | | | | KDX 250 D2/D3/D4 | 92-94 | | | |
| MD6003D | Front | S | CR 125 R | 90-91 | | Front | S | KLX 250 R D2/D3/D4 | 94-96 | | | |
| | | | CR 250 R | 90-91 | | | | KX 250 G1/H1/H2/J1/J2/K1-K5/L1-L4 | 89-02 | | | |
| | | | CR 500 R | 90-91 | | | | KLX 300 R A2-A10/A6F/A7F | 97-07 | | | |
| MD6004D | Front | S | CR 80 R | 86-95 | | Front | S | KX 500 E1-E16 | 89-04 | | | |
| MD6005D MD6005C | Rear | S | CR 80 R | 92-95 | MD6016D | Front | S | KLX 650 R A1/A2/A3 | 93-94 | | | |
| | | | CR 80 R/RB Expert | 96-02 | | | | YZ 125 W | 89 | | | |
| | | | CR 85R/85R Expert | 03-07 | | | | YZ 250 W | 89 | | | |
| MD6006D | Front | S | TRX 250 R 'Fourtrax' | 88-92 | MD6017D Options: OS6017/E 280mm oversize SM6017 320mm oversize MD6017C OS6728 | Front | S | YZ 250 WRW | 92-93 | | | |
| | | | TRX 250 EX Sportrax 250 EX | 01-07 | | | | YZ 250 WRW | 89 | | | |
| | | | TRX 250 X | 08-09/11 | | | | WR 500 ZD/ZE | 92-93 | | | |
| | | | TRX 300 EX Fourtrax | 93-08 | | | | Suzuki | | | | |
| | | | TRX 300 X | 09-11 | | | | RM 125 K/L/M/N/P/R/S/T/V/W/X/Y/K1-K8 | 89-08 | | | |
| | | | TRX 400 EX Fourtrax | 99-08 | | | | DR-Z 250 K1/K2/K3/K4/K5/K6 | 01-06 | | | |
| | | | TRX 400 X | 09 | | | | RM 250 K/L/M/N/P/R/S/T/V/W/X/Y/K1-K8 | 89-08 | | | |
| | | | TRX 450 R/ER Sportrax | 04-11 | | | | RMX 250 K/M/N/P/R/S/T/V/W/X/Y | 89-00 | | | |
| | | | TRX 700 XX | 08-11 | | | | DR 350 V/W/X | 97-99 | | | |
| | | | MD6007D | Rear | | | | S | ATC 250 R | 85-86 | | Front |
| TRX 250 R 'Fourtrax' | 86-89 | DR-Z 400 SY/SK1/SK2/SK3/SK4/SK5/SK6 | | | | | | | | | | |
| MD6008D | Front | S | CR 125 R | 89 | MD6018D/C | Front | S | /SK7/SK8/SK9/SL1 | 00-11 | | | |
| | | | CR 250 R | 89 | | | | DR-Z 400 EY/Y/EK1/K1/EK2/K2/K3/EK3/K4 | | | | |
| | | | CR 500 R | 89 | | | | /EK4/EK5/EK6/EK7 | 00-07 | | | |
| MD6009D | Rear | S | CR 125 R | 87-88 | | Front | S | Kawasaki | | | | |
| | | | CR 250 R | 87-88 | | | | KLX 400 R (KLX 400 B1/B2) | 03-04 | | | |
| | | | CR 500 R | 87-88 | | | | KLX 400 SR (KLX 400 A1/A2) | 03-04 | | | |
| MD6010D SM6010 | Front | S | NX 650 | 88-89 | MD6019D | | | Yamaha | | | | |
| | | | XR 650 L | 93-11 | | | | WR 426 FN/FP | 01-02 | | | |
| MD6011D | Rear | S | YZ 125 U/A/B/D/E/F/G/H/J | 88-97 | MD6020D | Front | S | YZ 426 FN/FP | 01-02 | | | |
| | | | WR 125 K | 98 | | | | LT 230 EH/EJ/EK/EL/EM/EN/EP | 86-93 | | | |
| | | | YZ 250 U/A/B/D/E/F/G/H/J | 88-97 | | | | LT 230 SF/SG/SH/ | 85-90 | | | |
| | | | YZ 250 WRW/WRA | 89-90 | | | | LT 250 RF/RG/RH/RJ/RK/RL/RM/RN | 85-92 | | | |
| | | | WR 250 ZB/ZD/ZE/ZF/ZG/ZH/ZJ | 91-97 | | | | MD6021D | Rear | S | LT 250 RH/RJ/RK/RL/RM/RN | 87-92 |
| WR 400 FK | 98 | LT 230 EH Early axle 64710 22A00 | 86 | | | | | | | | | |
| WR 500 ZD/ZE | 92-93 | LT 230 SF/SG | 85-86 | | | | | | | | | |
| MD6012D | Front | S | YZ 125 A/B | 90-91 | MD6022D | Front | S | LT 230 SH up to F no 2108531 | 87 | | | |
| | | | YZ 250 A/B | 90-91 | | | | LT 250 RF/RG | 85-86 | | | |
| MD6013D MD6013C | Rear | S | CRF 230 L | 08-11 | MD6023D | Rear | S | LT 500 RH/RJ/RK/RL | 87-90 | | | |
| | | | CRF 230 M | 09-11 | | | | MD6024D/C | Rear | S | LT 500 RH/RJ/RK/RL | 87-90 |
| | | | XR 250 R Pro Link | 90-95 | | | | | | | KX 125 G1/H1/H2/J1/J2/K1-K5/L1-L4 | 89-02 |
| | | | XR 250 R | 96-04 | | | | | | | KDX 200 E1/E2/E3/E4/ E5/E6 | 89-94 |
| | | | XR 250 L | 91-96 | | | | | | | KX 250 G1/H1/H2/J1/J2/K1-K5/L1-L4 | 89-02 |
| | | | XR 400 R | 96-04 | | | | | | | KX 500 E1-E16 | 89-04 |
| XR 600 R | 91-00 | | | | | | | | | | | |

F = FLOATING ROTOR
S/F = FLOATING ROTOR CONVERSION FOR FLAT SOLID ROTOR

CODES FOR TYPES
S = FLAT SOLID
D = FLOATING ROTOR CONVERSION FOR DISHED SOLID ROTOR

DISC
BUYERS GUIDE

DIRTBIKE DISC BUYERS GUIDE

CODES FOR TYPES
S = FLAT SOLID
D = FLOATING ROTOR CONVERSION FOR DISHED SOLID ROTOR

F = FLOATING ROTOR
S/F = FLOATING CONVERSION FOR FLAT SOLID ROTOR

DISC
BUYERS GUIDE

| Disc No | Front /Rear | Type | Models | Dia (mm) | Disc No | Front /Rear | Type | Models | Dia (mm) | | |
|---|-------------|------|--|--|----------------------------------|-------------|------|--|--|-----|-----|
| MD6025D MD6025C | Rear | S | KX 80 L1-L3/N1-N3/R1-R7/W1-W3 RM 80 L/M/N/P/R/S/T/V/W/X/Y/K1 RM 85 K2/K3/LK3/K4/LK4 KX 100 B5/B6/B7/C1/C2/C3 | 88-00 90-01 02-04 95-00 | MD6032D Contd. | Front | S | EXC 350 SX-F 350 SX 360 EXC 380 SX 380 EXC/EGS 400 EXC 400 Racing EXC-R 450 XC/EXC 400 SC 400 SX 400 XC-W 400 XCR-W 450 EXC 440/SX 440 EXC 450 EXC 450 (4T) EXC 450 SX-F 450 XC-F 450 450 XC-W (4T) Sixdays/Champion Edition XC-W 450 Six Days XCR-W 450 SX-F 505 XC-F 505 EXC 520/SX 520 EXC 525 MXC 525 SX 525 XC 525 Desert Racing EXC-R 530 EXC 530 (4T) EXC 530 XCR-W 530 XC-W 530 (4T) Sixdays MXC 550 EGS-E 620 Adventure/Rallye SC 620 Supercompetition SX 620/EXC/EGS SMC 625 SX EXC/EGS 820 SX 620 LC4 625 SC Supercompetition SXC 625 | 96-97 11 96-97 98-03 98-03 00-02 00 08 04-07 96-99 00-02 08-11 08 94-95 03-06 09-10 10-11 03-11 08 10 10-11 08 07-08 08 01-03 03-07 03-04 03-06 07 08 09-11 10-11 08 10-11 96 99 96-00 94 05 95 96-99 02 03-04 | 185 | 260 |
| MD6026D | Front | S | KX 80 R2/R3/R4/R5/R6/R7/W1/W2/W3 KX 100 B5/B6/B7/C1/C2/C3 | 92-00 95-00 | | | | | | | |
| MD6027D | Front | S | KX 80 L1/L2/L3/N1/N2/N3/R1 KX 80 E2/E3/G1/G2/J2 | 88-91 84-87 | | | | | | | |
| MD6028D Options: OS6028 280mm oversize SM6028 320mm oversize MD6028C OS/SM6528 OS/SM6728 | Front | S | YZ 125 D/E/F/G/H/J/K/L/M WR 125 K YZ 250 D/E/F/G/H/J/ K/L/M YZ 250 WRA WR 250 ZD/ZE/ZF/ZG/ZH/ZJ WR 400 FK/FL/FM YZ 400 FK/ FL YZ 426 FM | 98-00 98 92-00 90 92-97 98-00 98-99 00 | 245 | | | | | | |
| MD6029D | Front | S | YZ 80 S/T/U/W/A/B/D | 86-92 | | | | | | | |
| MD6030D/C OSY6030C OSS030C | Front | S | Yamaha YZ 80 E/F/G/H/J/K/L/M/N YZ 85 P/R/S/T/V/W/X/Y/Z/A Suzuki RM 85 LK5/K5/LK6/K6/K7/LK7/K8/LK8 /K9/LK9/LO/LLO | 93-01 02-11 05-11 | 220 | | | | | | |
| MD6031D MD6031C | Rear | F | YZ 80 E/F/G/H/J/K/L/M/N YZ 85 P/R/S/T/V/W/X/Y/Z/A | 93-01 02-11 | | | | | | | |
| MD6032D Options: OS6032/E 280mm oversize SM6032/E 320mm oversize MD6032C | Front | S | Husaberg All MX/Enduro Models ATK Dirt 700 (2T) Intimidator 620 (2T) Intimidator 500 (2T) 270 (2T) 250 (2T) KTM EXC 125 EXC/EGS 125 EXE 125 MX 125 SX 125 SX 150 XC 150 XC/EXC/EGS 200 XC-W 200 XC-W 200 XC 200 D-XC/E-XC/T-XC/E-GS 250 EXC 250 EXC/EGS 250 MX 250 SX F 250 EXC-F 250 SX 250 TE 250 (2T) XC-F 250 XC-F-W 250 XC 250 XC 250 XCF-W 250 XCF-W 250 Six Days XC-W 250 EXC 300 TE 300 (2T) XC 300 XC 300 XC-W 300 XC-W 300 EXC 350 LC4 | 00-10 04 04 04 04 04 95-07 94 00 92-93 94-11 08-11 10-11 98-08 07-09 10-11 06-08 92-93 95-07 94 92-93 05-11 06-07 94-11 11 06-08 06-08 10 10 11 06-11 04-05 11 06-08 10 06-08 10-11 94-95 | 260 | | | | | | |
| | | | | | MD6033D | | | Use MD6035D/C | | | |
| | | | | | MD6034D | Front | S | KTM D-XC/E-XC/E-GS 125 EXC 125 B DXC/EXC 250 DXC/E-XC/E-GS 250 EXC/EGS 250 DXC/EXC/EGS 350 EXC 350 LC-4 MX/EXC 500 LC-4 EXC 500 LC4 MX/EXC 600 LC4 EXC 600 LC4 EXC 600 | 90-93 89 90 91 89 90-91 89 89 90-91 89 89 90-91 90-91 90-91 90-91 | 220 | |
| | | | | | MD6035D MD6035C | Rear | S | ATK Dirt 700 (2T) Intimidator 620 (2T) Intimidator 500 (2T) 270 (2T) 250 (2T) Husaberg All MX/Enduro Models All Supermotard Models KTM EXC 125 EXC/EGS 125 EXE 125 SM 125 Supermoto | 04 04 04 04 04 00-08 00-08 95-07 94 00 00 | 220 | |

All part numbers, prefixes and suffixes shown in this catalog are unique and form a registered copyright as the property of EBC Brakes and its UK trademark owners

DIRTBIKE DISC BUYERS GUIDE

| Disc No | Front /Rear | Type | Models | Dia (mm) | Disc No | Front /Rear | Type | Models | Dia (mm) | | | | | | | | | | | | | | | | | | | | | | | | | | | | | | | | | | | | | | | | | | | | | | | | | | | | | | | | | | | | | |
|---------------------------------------|-------------|--------------------------------------|--|----------|---|------------------------------|------|--------|---|-------|-----|---|--|-------|-----|---|-----------------|-------|-----|---|-----------------------------|-------|-----|---|------------|-------|-----|---|------------------------------------|-------|-----|---|-----------------------------|-------|-----|--|-------------|-------|---|-------------------|-------|-----|---|----------|-------|-----|---|----------------------|-------|-----|---|------------------------|-------|-----|---|---|-------|-----|---|-----------------------|-------|-----|---|---|-------|-----|---|---|-------|-----|
| MD6035D MD6035C Contd. | Rear | S | SX 125 | 94-11 | 220 | MD6035D MD6035C Contd. | Rear | S | Duke II 640 Orpheus/Titan/Lime | 01 | 220 | | | | | | | | | | | | | | | | | | | | | | | | | | | | | | | | | | | | | | | | | | | | | | | | | | | | | | | | | | | |
| | | | SX 150 | 08-11 | | | | | Duke II 640 Black/Orange | 02-06 | | | | | | | | | | | | | | | | | | | | | | | | | | | | | | | | | | | | | | | | | | | | | | | | | | | | | | | | | | | | |
| | | | XC 150 | 10-11 | | | | | 640 Duke (Jet Black/Yellow/Adrenalin Orange) | 03-06 | | | | | | | | | | | | | | | | | | | | | | | | | | | | | | | | | | | | | | | | | | | | | | | | | | | | | | | | | | | | |
| | | | XC/EXC 200 | 04-08 | | | | | LC4-E 640 Enduro/Supermoto | 00-04 | | | | | | | | | | | | | | | | | | | | | | | | | | | | | | | | | | | | | | | | | | | | | | | | | | | | | | | | | | | | |
| | | | XC-W 200 | 07-11 | | | | | LC-4 640 Adventure | 01-03 | | | | | | | | | | | | | | | | | | | | | | | | | | | | | | | | | | | | | | | | | | | | | | | | | | | | | | | | | | | | |
| | | | XC 200 | 06-08 | | | | | LC-4 Adventure | 04-05 | | | | | | | | | | | | | | | | | | | | | | | | | | | | | | | | | | | | | | | | | | | | | | | | | | | | | | | | | | | | |
| | | | XC/EXC 250 | 95-07 | | | | | LC-R 640 Adventure R | 00 | | | | | | | | | | | | | | | | | | | | | | | | | | | | | | | | | | | | | | | | | | | | | | | | | | | | | | | | | | | | |
| | | | EXC/EGS 250 | 94 | | | | | SC 660 Supermoto | 03-04 | | | | | | | | | | | | | | | | | | | | | | | | | | | | | | | | | | | | | | | | | | | | | | | | | | | | | | | | | | | | |
| | | | EXC/EGS 250 | 98-03 | | | | | 690 Enduro | 08 | | | | | | | | | | | | | | | | | | | | | | | | | | | | | | | | | | | | | | | | | | | | | | | | | | | | | | | | | | | | |
| | | | SX F 250 | 05-11 | | | | | MD6036D | Front | | S | KX 125 E1/E2/F1 | 86-88 | 250 | | | | | | | | | | | | | | | | | | | | | | | | | | | | | | | | | | | | | | | | | | | | | | | | | | | | | | | |
| | | | EXC-F 250 | 06-07 | | | | | | | | | KDX 200 C1/C2/C3 | 86-88 | | | | | | | | | | | | | | | | | | | | | | | | | | | | | | | | | | | | | | | | | | | | | | | | | | | | | | | | |
| | | | SX 250 | 94-11 | | | | | | | | | KDX 200 E1/E2/E3/E4 | 89-92 | | | | | | | | | | | | | | | | | | | | | | | | | | | | | | | | | | | | | | | | | | | | | | | | | | | | | | | | |
| | | | XC 250 | 06-08 | | | | | | | | | KX 250 E1/F1 | 87-88 | | | | | | | | | | | | | | | | | | | | | | | | | | | | | | | | | | | | | | | | | | | | | | | | | | | | | | | | |
| | | | XC 250 | 10-11 | | | | | | | | | KX 500 C1/D1 | 87-88 | | | | | | | | | | | | | | | | | | | | | | | | | | | | | | | | | | | | | | | | | | | | | | | | | | | | | | | | |
| | | | XC-W 250 | 06-11 | | | | | | | | | MD6037D Options: OS6037/6437 280mm oversize SM6037/6437 320mm oversize MD6037C | Front | | S | CR 125 R | 95-07 | 240 | | | | | | | | | | | | | | | | | | | | | | | | | | | | | | | | | | | | | | | | | | | | | | | | | | | |
| | | | XC-F 250 | 06-08 | | | | | | | | | | | | | CR 250 R | 95-08 | | | | | | | | | | | | | | | | | | | | | | | | | | | | | | | | | | | | | | | | | | | | | | | | | | | | |
| | | | XC-F-W 250 | 06-08 | | | | | | | | | | | | | CRF 250 R/RA/RB | 04-11 | | | | | | | | | | | | | | | | | | | | | | | | | | | | | | | | | | | | | | | | | | | | | | | | | | | | |
| | | | XCF-W 250 Six Days | 11 | | | | | | | | | | | | | CRF 250 X | 04-11 | | | | | | | | | | | | | | | | | | | | | | | | | | | | | | | | | | | | | | | | | | | | | | | | | | | | |
| | | | XCF-W 250 | 10-11 | | | | | | | | | | | | | CRF 450 R/RA/RB | 02-11 | | | | | | | | | | | | | | | | | | | | | | | | | | | | | | | | | | | | | | | | | | | | | | | | | | | | |
| | | | EXC 300 (USD) | 04-05 | | | | | | | | | | | | | CRF 450 X | 05-11 | | | | | | | | | | | | | | | | | | | | | | | | | | | | | | | | | | | | | | | | | | | | | | | | | | | | |
| | | | XC 300 | 06-08 | | | | | | | | | | | | | CR 500 R | 95-01 | | | | | | | | | | | | | | | | | | | | | | | | | | | | | | | | | | | | | | | | | | | | | | | | | | | | |
| | | | XC 300 | 10-11 | | | | | | | | | | | | | MD6038D | Rear | | S | DR 250 L/M/N/P/R/S | 90-95 | 220 | | | | | | | | | | | | | | | | | | | | | | | | | | | | | | | | | | | | | | | | | | | | | | | |
| | | | XC-W 300 | 06-08 | | | | | | | | | | | | | | | | | DR 250 SL/SM/SN/SEP/SER/SES | 90-95 | | | | | | | | | | | | | | | | | | | | | | | | | | | | | | | | | | | | | | | | | | | | | | | | |
| | | | XC-W 300 | 10-11 | | | | | | | | | | | | | | | | | DR 350 L/M/N/P/R/S/T | 90-96 | | | | | | | | | | | | | | | | | | | | | | | | | | | | | | | | | | | | | | | | | | | | | | | | |
| | | | EXC 350 LC4 | 94-95 | | | | | | | | | | | | | | | | | DR 350 SL/SM/SN/SP/SEP/SES | 90-95 | | | | | | | | | | | | | | | | | | | | | | | | | | | | | | | | | | | | | | | | | | | | | | | | |
| | | | EXC 350 | 96-97 | | | | | | | | | | | | | | | | | MD6039D | Front | | S | YZ 125 U | 88 | 230 | | | | | | | | | | | | | | | | | | | | | | | | | | | | | | | | | | | | | | | | | | | |
| | | | SX-F 350 | 11 | | | | | | | | | | | | | | | | | | | | | IT 200 S | 86 | | | | | | | | | | | | | | | | | | | | | | | | | | | | | | | | | | | | | | | | | | | | |
| | | | SX 360 | | | | | | | | | | | | | | | | | | | | | | YZ 250 U/W | 88-89 | | | | | | | | | | | | | | | | | | | | | | | | | | | | | | | | | | | | | | | | | | | | |
| | | | EXC 380 | 98-03 | | | | | | | | | | | | | | | | | | | | | TT 350 S/T | 86-87 | | | | | | | | | | | | | | | | | | | | | | | | | | | | | | | | | | | | | | | | | | | | |
| | | | SX 380 | 98-03 | | | | | | | | | | | | | | | | | | | | | YZ 490 U/W | 88-89 | | | | | | | | | | | | | | | | | | | | | | | | | | | | | | | | | | | | | | | | | | | | |
| | | | EGS 400/EGS-E/LSE (LC4 Enduro) | 96-99 | | | | | | | | | | | | | | | | | | | | | TT 600 N/S | 85-86 | | | | | | | | | | | | | | | | | | | | | | | | | | | | | | | | | | | | | | | | | | | | |
| | | | EXC/EGS 400 | 00-02 | | | | | | | | | | | | | | | | | | | | | MD6040D | Front | | S | DR 250 L/M/N/P/R/S | 90-95 | 250 | | | | | | | | | | | | | | | | | | | | | | | | | | | | | | | | | | | | | | | |
| | | | EXC 400 Racing | 00 | | | | | | | | | | | | | | | | | | | | | | | | | DR 250 SL/SM/SN/SEP/SER/SES | 90-95 | | | | | | | | | | | | | | | | | | | | | | | | | | | | | | | | | | | | | | | | |
| | | | XC/EXC 400 | 04-07 | | | | | | | | | | | | | | | | | | | | | | | | | DR 350 L/M/N/P/R/S/T | 90-96 | | | | | | | | | | | | | | | | | | | | | | | | | | | | | | | | | | | | | | | | |
| | | | LC4-E 400 Enduro | 00-01 | | | | | | | | | | | | | | | | | | | | | | | | | DR 350 SL/SM/SN/SP/SEP/SES/SET/SEV | 90-97 | | | | | | | | | | | | | | | | | | | | | | | | | | | | | | | | | | | | | | | | |
| | | | SC 400 | 96-99 | | | | | | | | | | | | | | | | | | | | | | | | | MD6042D | Front | | S | KL 650 A1-A19/A6F/A7F (KLR) | 87-07 | 260 | | | | | | | | | | | | | | | | | | | | | | | | | | | | | | | | | | | |
| | | | SX 400 | 00-02 | | | | | | | | | | | | | | | | | | | | | | | | | | | | | MD6043D | | | | Use MD6067D | | | | | | | | | | | | | | | | | | | | | | | | | | | | | | | | | |
| | | | XC-W 400 | 08-11 | | | | | | | | | | | | | | | | | | | | | | | | | | | | | | | | | MD6044D | Front | S | XL 600 V Transalp | 89-90 | 276 | | | | | | | | | | | | | | | | | | | | | | | | | | | | |
| | | | SX 440 | 94-95 | | | | | | | | | | | | | | | | | | | | | | | | | | | | | | | | | | | | MD6045D | Rear | | S | XR 650 L | 93-11 | 220 | | | | | | | | | | | | | | | | | | | | | | | | |
| | | | EXC 450 | 03-06 | | | | | | | | | | | | | | | | | | | | | | | | | | | | | | | | | | | | | | | | MD6046D | Front | | S | TRX 250 R 'Fourtrax' | 86-87 | 166 | | | | | | | | | | | | | | | | | | | | |
| | | | EXC 450 (4T) | 09-11 | | | | | | | | | | | | | | | | | | | | | | | | | | | | | | | | | | | | | | | | | | | | MD6047D | Front | | S | YTZ 250 N/S (Tri Moto) | 85-86 | 203 | | | | | | | | | | | | | | | | |
| | | | EXC-R 450 | 08 | | | | | | | | | | | | | | | | | | | | | | | | | | | | | | | | | | | | | | | | | | | | | | | | MD6050D | Rear | | S | YFS 200 U/W/A/B/D/E/F/G/H/J/K /L/M/N/P Blaster | 88-02 | 220 | | | | | | | | | | | | |
| | | | SMR 450 | 05-07 | | | | | | | | | | | | | | | | | | | | | | | | | | | | | | | | | | | | | | | | | | | | | | | | | | | | MD6051D/C | Front | | S | YFM 350 XT | 87 | 161 | | | | | | | | |
| | | | SX-F 450 | 03-11 | | | | | | | | | | | | | | | | | | | | | | | | | | | | | | | | | | | | | | | | | | | | | | | | | | | | | | | | YFM 350 XU Warrior | 88 | | | | | | | | | |
| | | | XCR-W 450 | 08 | | | | | | | | | | | | | | | | | | | | | | | | | | | | | | | | | | | | | | | | | | | | | | | | | | | | | | | | YFZ 350 Banshee T/U/W | 87-89 | | | | | | | | | |
| | | | XC-F 450 | 08 | | | | | | | | | | | | | | | | | | | | | | | | | | | | | | | | | | | | | | | | | | | | | | | | | | | | | | | | MD6053D | Rear | | S | YFM 350 FXG/FXH/FXJ/FXK/FXL/FXM /FXN/FXP/FXR/FXS/FXT 'Wolverine' | 95-05 | 220 | | | | |
| | | | 450 XC-W (4T) Sixdays/Champion Edition | 10 | | | | | | | | | | | | | | | | | | | | | | | | | | | | | | | | | | | | | | | | | | | | | | | | | | | | | | | | | | | | YFM 350 XU/XW Warrior | 88-89 | | | | | |
| | | | XC-W 450 Six Days | 10-11 | | | | | | | | | | | | | | | | | | | | | | | | | | | | | | | | | | | | | | | | | | | | | | | | | | | | | | | | | | | | YFZ 350 Banshee T/U/W | 87-89 | | | | | |
| | | | LC-4 MX 500/EXC 500 | 90-91 | | | | | | | | | | | | | | | | | | | | | | | | | | | | | | | | | | | | | | | | | | | | | | | | | | | | | | | | | | | | MD6054D | Front | | S | YFM 125 RA Raptor | 11 | 161 |
| | | | XC-F 505 | 07-08 | | | | | | | | | | | | | | | | | | | | | | | | | | | | | | | | | | | | | | | | | | | | | | | | | | | | | | | | | | | | | | | | YFS 200 R/S/T/V Blaster | 03-06 | |
| | | | EXC 520/SX 520 | 01-03 | | | | | | | | | | | | | | | | | | | | | | | | | | | | | | | | | | | | | | | | | | | | | | | | | | | | | | | | | | | | | | | | YFM 250 XN/XHN/XP/XHP /XR/XHR/XS Beartracker | 01-04 | |
| | | | EXC 525 | 03-07 | | | | | | | | | | | | | | | | | | | | | | | | | | | | | | | | | | | | | | | | | | | | | | | | | | | | | | | | | | | | | | | | YFM 250 BW/BX/BY Big Bear | 07-09 | |
| | | | MXC 525 | 03-04 | | | | | | | | | | | | | | | | | | | | | | | | | | | | | | | | | | | | | | | | | | | | | | | | | | | | | | | | | | | | | | | | YFM 250 RX/RZ/RA Raptor | 08-11 | |
| SMR 525 | 05-06 | YFM 250 RSPX Special Edition | 08 | | | | | | | | | | | | | | | | | | | | | | | | | | | | | | | | | | | | | | | | | | | | | | | | | | | | | | | | | | | | | | | | | | | |
| SX 525 | 03-06 | YFM 250 RSXPC Special Edition Custom | 08 | | | | | | | | | | | | | | | | | | | | | | | | | | | | | | | | | | | | | | | | | | | | | | | | | | | | | | | | | | | | | | | | | | | |
| XC 525 Desert Racing | 07 | YFM 250 R (RSPA) | 11 | | | | | | | | | | | | | | | | | | | | | | | | | | | | | | | | | | | | | | | | | | | | | | | | | | | | | | | | | | | | | | | | | | | |
| XCR-W 530 | 08 | MD6054D | Front | S | YFM 125 RA Raptor | 11 | 161 | | | | | | | | | | | | | | | | | | | | | | | | | | | | | | | | | | | | | | | | | | | | | | | | | | | | | | | | | | | | | | | |
| EXC-R 530 | 08 | | | | YFS 200 R/S/T/V Blaster | 03-06 | | | | | | | | | | | | | | | | | | | | | | | | | | | | | | | | | | | | | | | | | | | | | | | | | | | | | | | | | | | | | | | | |
| EXC 530 (4T) | 09-11 | | | | YFM 250 XN/XHN/XP/XHP /XR/XHR/XS Beartracker | 01-04 | | | | | | | | | | | | | | | | | | | | | | | | | | | | | | | | | | | | | | | | | | | | | | | | | | | | | | | | | | | | | | | | |
| EXC 530 | 10-11 | | | | YFM 250 BW/BX/BY Big Bear | 07-09 | | | | | | | | | | | | | | | | | | | | | | | | | | | | | | | | | | | | | | | | | | | | | | | | | | | | | | | | | | | | | | | | |
| XC-W 530 (4T) Sixdays | 10-11 | | | | YFM 250 RX/RZ/RA Raptor | 08-11 | | | | | | | | | | | | | | | | | | | | | | | | | | | | | | | | | | | | | | | | | | | | | | | | | | | | | | | | | | | | | | | | |
| MXC 550 | 96 | | | | YFM 250 RSPX Special Edition | 08 | | | | | | | | | | | | | | | | | | | | | | | | | | | | | | | | | | | | | | | | | | | | | | | | | | | | | | | | | | | | | | | | |
| 560 SMR | 07 | | | | YFM 250 RSXPC Special Edition Custom | 08 | | | | | | | | | | | | | | | | | | | | | | | | | | | | | | | | | | | | | | | | | | | | | | | | | | | | | | | | | | | | | | | | |
| LC4 MX 600 | 90-91 | | | | YFM 250 R (RSPA) | 11 | | | | | | | | | | | | | | | | | | | | | | | | | | | | | | | | | | | | | | | | | | | | | | | | | | | | | | | | | | | | | | | | |
| LC4 EXC 600 | 90-93 | | | | MD6054D | Front | | S | YFM 125 RA Raptor | 11 | 161 | | | | | | | | | | | | | | | | | | | | | | | | | | | | | | | | | | | | | | | | | | | | | | | | | | | | | | | | | | | |
| EGS 620 Enduro/EGS-E/LSE | 96-99 | | | | | | | | YFS 200 R/S/T/V Blaster | 03-06 | | | | | | | | | | | | | | | | | | | | | | | | | | | | | | | | | | | | | | | | | | | | | | | | | | | | | | | | | | | | |
| EGS-E 620 Adventure Style | 99 | | | | | | | | YFM 250 XN/XHN/XP/XHP /XR/XHR/XS Beartracker | 01-04 | | | | | | | | | | | | | | | | | | | | | | | | | | | | | | | | | | | | | | | | | | | | | | | | | | | | | | | | | | | | |
| LC4 620 SC Supermoto | 00 | | | | | | | | YFM 250 BW/BX/BY Big Bear | 07-09 | | | | | | | | | | | | | | | | | | | | | | | | | | | | | | | | | | | | | | | | | | | | | | | | | | | | | | | | | | | | |
| SC 620 Supercompetition | 96-00 | | | | | | | | YFM 250 RX/RZ/RA Raptor | 08-11 | | | | | | | | | | | | | | | | | | | | | | | | | | | | | | | | | | | | | | | | | | | | | | | | | | | | | | | | | | | | |
| SX EXC/EGS 620 | 95 | | | | | | | | YFM 250 RSPX Special Edition | 08 | | | | | | | | | | | | | | | | | | | | | | | | | | | | | | | | | | | | | | | | | | | | | | | | | | | | | | | | | | | | |
| SX 620 | 96-99 | | | | | | | | YFM 250 RSXPC Special Edition Custom | 08 | | | | | | | | | | | | | | | | | | | | | | | | | | | | | | | | | | | | | | | | | | | | | | | | | | | | | | | | | | | | |
| LC4 625 SC Supermoto/Supercompetition | 02 | | | | | | | | YFM 250 R (RSPA) | 11 | | | | | | | | | | | | | | | | | | | | | | | | | | | | | | | | | | | | | | | | | | | | | | | | | | | | | | | | | | | | |
| SXC 625 | 03-04 | | | | | | | | | | | | | | | | | | | | | | | | | | | | | | | | | | | | | | | | | | | | | | | | | | | | | | | | | | | | | | | | | | | | | |

F = FLOATING ROTOR
S/F = FLOATING CONVERSION FOR FLAT SOLID ROTOR

CODES FOR TYPES
S = FLAT SOLID
D = FLOATING ROTOR CONVERSION FOR DISHED SOLID ROTOR

DISC
BUYERS GUIDE

DIRTBIKE DISC BUYERS GUIDE

CODES FOR TYPES
S = FLAT SOLID
/D = FLOATING ROTOR CONVERSION FOR DISHED SOLID ROTOR

F = FLOATING ROTOR
S/F = FLOATING CONVERSION FOR FLAT SOLID ROTOR

DISC
BUYERS GUIDE

| Disc No | Front /Rear | Type | Models | Dia (mm) | Disc No | Front /Rear | Type | Models | Dia (mm) | | | | |
|---|----------------|------|---|----------|--------------------------|---------------------------|-------|--|----------------|-------|---|--|---------|
| MD6054D Contd. | Front | S | YFM 350 XW/XA/XB/XD/XE/XF/XG/XH/XJ/XK /XL/XM/XN/XP/XR/XS Warrior 90-04 | 161 | MD6073D | Front | S | DR 125 G/H/J/SER/SES/SET 86-96 | 230 | | | | |
| | | | YFM 350 RS/RT/RV/RW/RX/RY/RZ/RA Raptor 04-11 | | | | | SP 125 G/H/J 86-88 | | | | | |
| | | | YFZ 350 A/B/D/E/F/G/H /J/K/L/M/N/P/R/S/T/V Banshee 90-06 | | | | | DR 200 G/H/J 86-90 | | | | | |
| | | | YFZ 450 RY/RZ/RA 09-11 | | | | | DR 200 SET/SEV/SEW/SEX/SEY/SEK1/SEK2 /SEK3/SEK4/SEK5/SEK6/SEK7/SEK8/SEK9 96-09 | | | | | |
| | | | YFZ 450 S/T 04-05 | | | | | SP 200 G/H/J 86-88 | | | | | |
| | | | YFZ 450 V/W/X/Y 06-09 | | | | | | | | | | |
| | | | YFZ 450 XZ/XA 10-11 | | | | | | | | | | |
| | | | YZF 450 BBW Bill Balance Edition 07 | | | | | | | | | | |
| | | | YZF 450 SEW/SPX Special Edition 07-08 | | | | | | | | | | |
| | | | YFZ 450 XSEA 11 | | | | | | | | | | |
| | | | YFZ 450 RSEA 11 | | | | | | | | | | |
| | | | YFM 660 RN/RP/RPB/RR/RS/RT 01-05 | | | | | | | | | | |
| | | | YFM 700 RV/RW/RX/RY/RA Raptor 06-09/11 | | | | | | | | | | |
| YFM 700 RSEW/RSPX/RSPY/RSEA Special Edition 07-09/11 | | | | | | | | | | | | | |
| MD6055D | Rear | S | YFM 350 XA/XB/XD/XE/XF/XG/XH/XJ/XK/XL/XM /XN/XP/XR/XS Warrior 90-04 | 245 | MD6074D | Front | S | DR 250 F 85 SP 250 F 85 | 260 | | | | |
| MD6057D | Front | S | KL 250 D2-D22 (KLR 250) | 85-05 | 240 | MD6075D | Front | S | SP 600 F 85-87 | 240 | | | |
| MD6058D/C OS6058 | Front | S | CR 80 R/RB Expert 96-02 | 220 | MD6076D | Front | S | DR 650 SL/SM 90-91 | 280 | | | | |
| | | | CR 85R/85R Expert 03-07 | | | | | MD6077D | | Rear | S | DR 650 SL/SM/SN/SP/SER/SES 90-95 | 250 |
| MD6059D | Front /Rear | S | ATC 200 X 83-87 | 206 | MD6078D | Front | S | DR 650 SN/SP/SER/SES 92-95 | 300 | | | | |
| | | | ATC 250 R 83-86 | | | | | MD6080D | | Front | S | KL 600 A1/B1/B2 (KLR) 84-86 | 250 |
| | | | ATC 350 X 85-86 | | | | | | | | | MD6081D | |
| MD6060D | Front | S | ATC 250 R 81-82 | 156 | MD6082D | Rear | F | KL 650 A1-A19/A6F/A7F (KLR) 87-07 | 230 | | | | |
| MD6061D | Rear | S | ATC 350 X 85-86 | 206 | | | | KL 650 B2/B3 Tengai 90-91 | | | | | |
| MD6062D | | | Use MD6021D | | MD6083D | Front | S | KDX 200 H1-H11/H6F 95-06 | 250 | | | | |
| MD6063D | Rear | S | LT 230 EH Late axle 64710 22A01 86 | 220 | | | | MD6085D | | Rear | S | KDX 220 R A4-A12/A6F 97-06 | 230 |
| | | | LT 230 EJ/EK/EL/EM/EN/EP 87-93 | | | | | | | | | KLX 250 R D2/D3/D4 94-96 | |
| | | | LT 230 SH from F no 2108532/AJ 87-88 | | KLX 650 R A1/A2/A3 93-94 | | | | | | | | |
| | | | LT 250 SK/SL 89-90 | | | KLX 650 C1/C2/C3/C4 93-96 | | | | | | | |
| MD6064D | Rear | S | TRX 250 X 'Fourtrax' 87-92 | 220 | MD6086D | Front | F | KLX 650 C1/C2/C3/C4 93-96 | 290 | | | | |
| | | | TRX 300 EX Fourtrax 93-08 | | | | | MD6087D | | Front | S | CR 125/250 R 84-88 | |
| | | | TRX 300 X 09-11 | | | | | | | | | XR 250 R Pro Link 84-90 | |
| MD6066D | Front | S | WR 200 D 92 | 245 | MD6094D | Front | S | DR 650 SET/SEV/SEW/SEX/SEY/SEK1/SEK2/SEK3 /SEK4/SEK5/SEK6/SEK7/SEK8/SEK9/SEL1 96-11 | 290 | | | | |
| | | | TT-R 250 LM/N/P/R/S/T/V 99-06 | | | | | MD6095D | | Rear | S | DR 650 SET/SEV/SEW/SEX/SEY/SEK1/SEK2/SEK3 /SEK4/SEK5/SEK6/SEK7/SEK8/SEK9/SEL1 96-11 | 240 |
| MD6067D | Front | S | IT 225 S/T 86-87 | 220 | MD6105D | Rear | S | KDX 200 H1-H11/H6F 95-06 | 220 | | | | |
| | | | YZ 125 T 87 | | | | | KDX 220 R A4-A12/A6F 97-06 | | | | | |
| | | | TW 200 N/NC/P/PC/R/RC/S/SC/T/TC/V/VVC /W/WC/X/Y/Z/A 01-11 | | | | | KDX 250 D1/D2/D3/D4 91-94 | | | | | |
| | | | TT-R 225 LM/N/P/R/S 99-04 | | | | | KLX 250 S (KLX 250 H6F/H7F) 06-07 | | | | | |
| | | | XT 225 D/DC/E/EC/F/FC/G/GC/FH/J/JC/K/KC/L/M/MC /N/NC/P/PC/R/RC/S/SC/T/TC/V/VVC/W/WC92-07 | | | | | KLX 300 R A2-A10/A6F/A7F 97-07 | | | | | |
| | | | TT-R 230 T/N/W/X/Y/A 05-09/11 | | | | | KLX 650 R D1 96 | | | | | |
| | | | XT 250 X/Y/Z/A 08-11 | | | | | | | | | | |
| | | | YZ 250 T 87 | | | | | | | | | | |
| | | | YZ 490 N/S/T 85-87 | | | | | | | | | | |
| | | | | | | | | | | | | | MD6107D |
| MD6068D | Front | S | XT 350 N/NC/S/SC 85-86 | 245 | MD6110D | Rear | S | DR-Z 250 K1/K2/K3/K4/K5/K6/K7 01-07 | 220 | | | | |
| | | | XT 350 T/TC/U/UC/W/WC/A 87-90 | | | | | DR 350 V/W/X 97-99 | | | | | |
| MD6070D | Front | S | XT 350 B/BC/D/E/EC/F/FC/G/GC/H/HC/I /J/C/K/KC/L/M 91-00 | 267 | MD6121D | Rear | S | WR 200 D 92 | 220 | | | | |
| | | | XT 600 L/LC/N/LN/S/SC 84-86 | | | | | TT-R 250 LM/N/P/R/S/T/V 99-06 | | | | | |
| | | | XT 600 T/TC/U/UC/W/WC 87-89 | | | | | | | | | | |
| MD6071D | Front | | XT 600 EA/EB/ED/EDC/EE/EEC/EF/EFC /EG/EGC 90-95 | | | | | | | | | | |
| | | | Use MD6070D | | | | | | | | | | |
| MD6072D | Rear | S | XT 600 EA/EB/ED/EDC/EE/EEC/EF/EFC /EG/EGC 90-95 | 220 | | | | | | | | | |

All part numbers, prefixes and suffixes shown in this catalog are unique and form a registered copyright as the property of EBC Brakes and its UK trademark owners

DIRTBIKE DISC BUYERS GUIDE

| Disc No | Front /Rear | Type | Models | Dia (mm) | Disc No | Front /Rear | Type | Models | Dia (mm) | | | | |
|--|-------------|--|--|----------|------------------------------|-------------|------|---------------------------------------|--------------------------------|------------|----------------------------------|---|-------|
| MD6123D | Front | S | YFM 350 FXG/FXH/FXJ/FXK/FXL | 180 | MD6131D | Front | S | KLF 300 C1-C17 Bayou | 89-05 | | | | |
| | | | /FXM/FXN/FXP/FXR/FXS/FXT Wolverine | 95-05 | | | | KVF 300 A1/A2/A3/A4 (4 x 4) 'Prairie' | 99-02 | | | | |
| | | | YFM 350 FWB/LC Big Bear | 99 | | | | KVF 300 B1/B2/B3/B4 (2 x 4) 'Prairie' | 99-02 | | | | |
| | | | YFM 350 UL/ULC | 99 | | | | KLF 400 B1-B7 Bayou (4 x 4) | 93-99 | | | | |
| | | | YFM 350 UL/ULC | 99 | | | | KVF 400 A1/A2/B1 Prairie | 97-98 | | | | |
| | | | YFM 400 FAM/FAN/FAP Kodiak | 00-02 | | | | KVF 400 C1/C2/C3/C4 (4 x 4) Prairie | 99-02 | | | | |
| | | | YFM 400 FWNM/MC/FWNN/FWNN/FHP | | | | | KVF 400 D1/D2/D3/D4 (2 x 4) Prairie | 99-02 | | | | |
| | | | /FP/FR/FS/FT/FV "Big Bear" | 00-06 | | | | LTA 700 XK5 Kingquad | 05 | | | | |
| | | | YFM 400 AM/AN | 00-01 | | | | | | | | | |
| | | | YFM 400 NN/NHN/P/HP | 00-02 | | | | MD6132D | Rear | S | KSF 250 A1-A18 Mojave | 87-04 | |
| | | | YFM 400 FWNM/FHM Big Bear Buckmaster 4WD | 01 | | | | | | | KEF 300 A1/A2/A3/A4/A5/A6 Lakota | 95-00 | |
| | | | YFM 400 FAHM/MC/N/NC/P Kodiak 4x4 | | | | | | | | KEF 300 B1/B2/B3 Lakota Sport | 01-03 | |
| | | | Kodiak/Hunter | 00-02 | | | | MD6133D | Front | S | KSF 250 A1-A18 Mojave | 87-04 | |
| | | | YFM 400 NR/NS (2x4) Big Bear | 03-04 | | | | | | | KXF 250 A1/A2 Tecate | 87-88 | |
| YFM 400 S Big Bear 2WD | 04 | KEF 300 A1/A2/A3/A4/A5/A6 Lakota | 95-00 | | | | | | | | | | |
| YFM 400 FS/FT/FAV Big Bear 4WD | 04-06 | KEF 300 B1/B2/B3 Lakota Sport | 01-03 | | | | | | | | | | |
| YFM 400 FWBL Kodiak | 99 | | | | KLF 300 B1-B17 Bayou | 88-04 | | | | | | | |
| MD6124D | Rear | S | CR 125 R | 98-01 | MD6134D | Rear | S | KXT 250 B2 | 87 | | | | |
| | | | MD6124C | CR 250 R | | | | 97-01 | | | | | |
| MD6125D Option: SM6125 320mm oversize | Front | S | Husqvarna | 260 | MD6135D | Rear | S | YZ 125 K/L/M/N | 98-01 | | | | |
| | | | CR 125 | | | | | 92-99 | WR 250 FN | 01 | | | |
| | | | SM 125 | | | | | 98-99 | YZ 250 K/L/M/N | 98-01 | | | |
| | | | WR 125 | | | | | 93-99 | WR 400 FL/FM | 99-00 | | | |
| | | | WRE 125 | | | | | 93-99 | WR 426 FN | 01 | | | |
| | | | CR 250 | | | | | 92-99 | YZ 400 FL | 99 | | | |
| | | | WR 250 | | | | | 92-99 | YZ 426 FM/FN | 00-01 | | | |
| | | | TE 350 | | | | | 92-97 | MD6136D | Rear | S | KXF 250 A1/A2 Tecate | 87-88 |
| | | | CR 360 | | | | | 92-94 | | | | | |
| | | | WR 360 | | | | | 92-99 | MD6137D | Front | S | KFX 450 R (KSF 450 B8F/B9F/BAF/BBF) | 08-11 |
| | | | TE 410 | | | | | 95-99 | | | | KSV 700 A1/A2/A6/A7/A8F (KFX 700 V-Force) | 04-08 |
| | | | TC 610 | | | | | 92-94 | | | | KSV 700 B1/B2/B6F/B7F/B8F (KFX 700 V Force) | 04-08 |
| | | | TC 610/E | | | | | 95-99 | | | | | |
| | | | TE 610 | | | | | 92-94 | MD6138D | Front/Rear | S | KXT 250 B1/B2 | 86-87 |
| TE 610/E | 95-99 | | | | | | | | | | | | |
| MD6126D | Rear | S | Husqvarna | 220 | MD6140D | Front | S | YFM 600 FWAK/FWK/FWAL/LL | | | | | |
| | | | CR 125 | | | | | 91-99 | /FWAM/AK Grizzly | 98-00 | | | |
| | | | SM 125 | | | | | 98-99 | YFM 600 HM/HMC Grizzly Hunting | 00 | | | |
| | | | WR 125 | | | | | 91-99 | MD6144D | Rear | S | FL 400 R Pilot | 89-90 |
| | | | WRE 125 | | | | | 93-99 | | | | | |
| | | | WR 240 | | | | | 90-91 | MD6145D | Front | S | LT-F 500 FW/FX/FY/FK1/FK2 Quadrunner | 98-02 |
| | | | CR 250 | | | | | 91-99 | | | | LT-A 500 FY/FK1 | 00-01 |
| | | | WR 250 | | | | | 90-99 | MD6147D | Front | S | Trail Boss '4 x 4' | 87 |
| | | | WR 260 | | | | | 90-91 | | | | Big Boss 250 '4 x 6' | 89-90 |
| | | | TE 350 | | | | | 90-97 | | | | Trail Boss | 88-90 |
| | | | CR 360 | | | | | 92-94 | | | | Trail Boss '2 x 4 / 4 x 4' | 88-89 |
| | | | WR 360 | | | | | 92-99 | | | | Trail Blazer | 90 |
| | | | TE 410 | | | | | 95-99 | MD6149D | Front | S | Big Boss 250 '4 x 6' Middle Axle Brake | 89-92 |
| | | | TE 410 E | | | | | 00 | | | | Big Boss 250 '6 x 6' Middle Axle Brake | 91-93 |
| TC 510 | 90 | Big Boss 350 L | 93 | | | | | | | | | | |
| TE 510 | 90 | Big Boss 300 '6 x 6' Middle Axle Brake | 94 | | | | | | | | | | |
| SM 610 (6 bolt front disc) | 98-99 | Big Boss 400 L '6 x 6' | 94-97 | | | | | | | | | | |
| TC 610 | 91-94 | Big Boss 500 '6 x 6' | 98-99 | | | | | | | | | | |
| TC 610/E | 95-99 | Magnum 325 (2x4/4x4) | 00 | | | | | | | | | | |
| TE 610 | 91-94 | Magnum 330 (2x4/HDS) | 03-05 | | | | | | | | | | |
| TE 610/E | 95-00 | 350 L '4 x 4' | 90 | | | | | | | | | | |
| MD6128D | Rear | S | Pegaso 650 ie (All models) | 99-04 | MD6128D | Rear | S | 250 '2 x 4 / 4 x 4' | 90 | | | | |
| | | | | | | | | | | | | | |
| MD6129D | Front | S | Pegaso 650 ie (All models) | 99-04 | MD6129D | Front | S | 400 L '4 x 4' | 94 | | | | |
| | | | | | | | | | | | | | |
| MD6130D MD6130CF | Front | S | KTM | 300 | MD6130D | Front | S | Magnum 425 '4 x 4' | 95-98 | | | | |
| | | | EGS 400/EGS-E/LSE (LC4 Enduro) | | | | | 96-99 | Magnum 425 '6 x 6' | 96-97 | | | |
| | | | LC4-E 400 Enduro | | | | | 00-01 | Magnum 500 (4x4) | 99-02 | | | |
| | | | EGS 620 Enduro/EGS-E/LSE | | | | | 96-99 | Sportsman 350 '4 x 4' | 93 | | | |
| | | | LC4-E 640 Enduro | | | | | 00-04 | Sportsman 400 L '4 x 4' | 94-97 | | | |
| | | | LC-4 640 Adventure | | | | | 01-03 | Sportsman 400 | 01-05 | | | |
| | | | LC-R 640 Adventure R | | | | | 00 | Sportsman 500 '4 x 4' | 96-00 | | | |
| 690 Enduro | 08 | Sportsman 500 HO/EFI | 03-06 | | | | | | | | | | |
| | | | | | Sportsman/Worker 500 | 01-02 | | | | | | | |
| | | | | | Sportsman 335 '4 x 4' | 99-00 | | | | | | | |
| | | | | | Sportsman 6x6 (500)/Big Boss | 00-07 | | | | | | | |

F = FLOATING ROTOR
S/F = FLOATING CONVERSION FOR FLAT SOLID ROTOR

CODES FOR TYPES
S = FLAT SOLID
D = FLOATING ROTOR CONVERSION FOR DISHED SOLID ROTOR

DISC
BUYERS GUIDE

DIRTBIKE DISC BUYERS GUIDE

CODES FOR TYPES
S = FLAT SOLID
/D = FLOATING ROTOR CONVERSION FOR DISHED SOLID ROTOR

F = FLOATING ROTOR
S/F = FLOATING ROTOR CONVERSION FOR FLAT SOLID ROTOR

DISC
BUYERS GUIDE

| Disc No | Front /Rear | Type | Models | Dia (mm) | Disc No | Front /Rear | Type | Models | Dia (mm) | | | | | | | | | | | | | | | | |
|-----------------------|-------------|-----------------|--------------------------------------|----------|---------|---|----------|--------|--------------------------------------|-------|-------------|-----------------------|----------------------------|-------------|-------|----------------|--|-------|------|------------|--------------------------------------|-------|-----|-----------------------|-------|
| MD6149D Contd. | Front | S | Sportsman 6x6 | 07-08 | 228 | MD6160D | Rear | S | Gran Canyon 900 | 99-00 | 220 | | | | | | | | | | | | | | |
| | | | Trail Boss 350 L '4 x 4' | 91 | | MD6161D | Rear | S | KX 125 E1/E2/F1 | 86-88 | 220 | | | | | | | | | | | | | | |
| | | | Xplorer 400 L '4 x 4' | 95-00 | | | | | KX 250 D2/E1/F1 | 86-88 | | | | | | | | | | | | | | | |
| | | | Xplorer 500 '4 x 4' | 97 | | | | | KX 500 B2/C1/D1 | 86-88 | | | | | | | | | | | | | | | |
| | | | Xplorer 4x4/400 | 01-02 | | MD6162D | | | | | Use MD6014D | | | | | | | | | | | | | | |
| | | | Xpedition 425 | 00 | | | | | | | | | | | | | | | | | | | | | |
| | | | Diesel 455/4x4 EBS | 99-01 | | | | | | | | | | | | | | | | | | | | | |
| | | | PTV (Personal Task Vehicle) 6x6 | 03 | | | | | | | | | | | | | | | | | | | | | |
| | | | PPS/PTV 6x6/Series 10 | | | | | | | | | | | | | | | | | | | | | | |
| | | | Ranger | 99 | | | | | | | | | | | | | | | | | | | | | |
| PPS LUB 6x6 | 02 | | | | | | | | | | | | | | | | | | | | | | | | |
| MD6150D | Front | S | Big Boss 250 '4 x 6' | 91-92 | 175 | | | | | | | | MD6163D | Front | S | RM 125 F/G/H/J | 85-88 | 240 | | | | | | | |
| | | | Big Boss 250 '6 x 6' | 92-93 | | | | | | | | | | | | RM 250 F/G/H/J | 85-88 | | | | | | | | |
| | | | Big Boss 300 '6 x 6' | 94 | | | | | | | | | | | | MD6164D | Rear | | S | TRX 400 EX | 99-08 | | | | |
| | | | 350 L '2 x 4' | 90 | | TRX 400 X | 09 | | | | | | | | | | | | | | | | | | |
| | | | 250 '2 x 4 / 4 x 4' | 93 | | MD6166D | Front | S | Kawasaki KX 65 A1/A2/A3/A4/A5/A6/A6F | 00-11 | 180 | | | | | | | | | | | | | | |
| | | | 350 L '4 x 4' | 93 | | | | | | | | Suzuki RM 65 K3/K4/K5 | | | | 03-05 | | | | | | | | | |
| | | | 300 '2 x 4 / 4 x 4' | 94-95 | | | | | | | | | | | | | MD6166D | | Rear | S | Kawasaki KX 65 A1/A2/A3/A4/A5/A6/A6F | 00-11 | 180 | | |
| | | | 400 L '2 x 4' | 94-95 | | | | | | | | | | | | | | | | | | | | Suzuki RM 65 K3/K4/K5 | 03-05 |
| | | | Magnum 425 '2 x 4' | 95-98 | | | | | | | | | | | | | | | | | | | | | |
| | | | Scrambler 400 L '4 x 4' | 95-97 | | | | | | | | | | | | | | | | | | | | | |
| | | | Scrambler 500 '4 x 4' | 97 | | | | | | | | | | | | | | | | | | | | | |
| | | | Sport 400 L/400 | 94-00 | | | | | | | | | | | | | | | | | | | | | |
| | | | Trail Boss 250 | 91-99 | | | | | | | | | | | | | | | | | | | | | |
| | | | Trail Boss 250 '2 x 4 / 4 x 4' | 91-92 | | | | | | | | | | | | | | | | | | | | | |
| | | | Trail Boss 350 L '2 x 4' | 91-93 | | | | | | | | | | | | | | | | | | | | | |
| | | | Trail Blazer | 91-93 | | | | | | | | | | | | | | | | | | | | | |
| | | | Trail Blazer '250' | 94-98 | | | | | | | | | | | | | | | | | | | | | |
| | | | Xpress 300 / 400 L | 96-97 | | | | | | | | | | | | | | | | | | | | | |
| | | | Xpress 300 '2 x 4' | 98-00 | | | | | | | | | | | | | | | | | | | | | |
| | | | Xplorer 300 '4 x 4' | 96-00 | | | | | | | | | | | | | | | | | | | | | |
| MD6153D | Front | S | Big Boss 400 L '6 x 6' | 96 | 254 | MD6169D | Rear | S | Xplorer 400 L 4x4 | 99-00 | 203 | | | | | | | | | | | | | | |
| | | | Magnum 425 '6 x 6' Middle Axle Brake | 96 | | | | | | | | | | | | | | | | | | | | | |
| MD6154D | Rear | S | Sportsman 500 | 97 | 150 | MD6170D | Rear | S | Sportsman 6x6 | 00-08 | 228 | | | | | | | | | | | | | | |
| MD6155D | Front | S | Xplorer 250 | 00 | 182 | | | | MD6171D | Front | S | DS 650 | 00-05 | 166 | | | | | | | | | | | |
| | | | Trailblazer/Freedom 250 | 99-06 | | DS 650 Baja/X | 01-06 | | | | | | | | | | | | | | | | | | |
| | | | Magnum 325 2x4/4x4 Muse | 01 | | Can-Am | DS 650 X | 07 | | | | | | | | | | | | | | | | | |
| | | | Magnum 325 4x4/2x4 | 02 | | | | | | | | | | | | | | | | | | | | | |
| | | | Trail Boss 325 | 00-01 | | MD6172D | Rear | S | | | | DS 650 | 00-05 | | 196 | | | | | | | | | | |
| | | | Xpedition 325 | 00 | | | | | | | | DS 650 Baja/X | 01-06 | | | | | | | | | | | | |
| | | | Trail Boss 330 | 03-04 | | | | | | | | Can-Am | DS 650 X | | | 07 | | | | | | | | | |
| | | | Scrambler 400 '4 x 4' | 98-02 | | | | | | | | MD6173D | Front | | | S | Arctic Cat Most models | 96-11 | 202 | | | | | | |
| | | | Trailblazer 400 | 03 | | | | | | | | | | | | | Check application pages for full listing | | | | | | | | |
| | | | Scrambler 500 '4 x 4' | 98-10 | | | | | | | | | | | | | KYMCO | | | | | | | | |
| Scrambler 4 x 4/2 x 4 | 00 | MXU 400 | 08-09 | | | | | | | | | | | | | | | | | | | | | | |
| Scrambler 500 2x4 | 01-02 | MXU 500 4x4 IRS | 10-11 | | | | | | | | | | | | | | | | | | | | | | |
| MD6156D | Rear | S | Magnum 325 2x4/4x4 Muse | 00-01 | 178 | | | | MD6174D MDS6174C | Rear | S | | YFM 400 FAM/FAN/FAP Kodiak | 00-02 | | 220 | | | | | | | | | |
| | | | Trail Boss 325 | 01 | | | | | | | | | YFM 400 AM/AN | 00-01 | | | | | | | | | | | |
| | | | Sport 400 (4x4) | 99-00 | | YFM 400 FAHM/MC/N/NC/P Kodiak | 00-02 | | | | | | | | | | | | | | | | | | |
| | | | Trailblazer 400 | 03 | | 4x4 Kodiak/Hunter | 00-02 | | | | | | | | | | | | | | | | | | |
| | | | Magnum 500 (4x4) | 00-01 | | YFM 450 FAR/FAS Kodiak | 03-04 | | | | | | | | | | | | | | | | | | |
| | | | Scrambler 400 (2x4/4x4) | 98-02 | | YFM 450 FXV/FXW/FXX/FXY/FXZ | | | | | | | | | | | | | | | | | | | |
| | | | Scrambler 500 (2x4/4x4) | 98-04 | | Wolverine Auto 4x4 | 07-10 | | | | | | | | | | | | | | | | | | |
| | | | Trail Blazer 250/Freedom | 99-06 | | YFM 450 FXSEW Wolverine Sport Special Edition | 07-08 | | | | | | | | | | | | | | | | | | |
| | | | Xpedition 325 | 00 | | MD6177D | | | | | | Use MD6149D | | | | | | | | | | | | | |
| | | | Xpedition 425 (4x4) | 00 | | | | | | | | | | | | | | | | | | | | | |
| Xplorer 4x4/400 | 01-02 | | | | | | | | | | | | | | | | | | | | | | | | |
| Trail Boss 325 | 00 | | | | | | | | | | | | | | | | | | | | | | | | |
| MD6157D MD6157C | Rear | S | RM 125 X/Y/K1/K2/K3/K4/K5 | 99-05 | 240 | | | | MD6178D | | | | | Use MD6155D | | | | | | | | | | | |
| | | | RM 250 X/Y/K1/K2/K3/K4/K5 | 99-05 | | | | | | | | | | | | | | | | | | | | | |
| MD6158D MD6158C | Front | S | RMX 250 X/Y | 99-00 | 220 | | | | MD6179D | | | | | Use MD6156D | | | | | | | | | | | |
| | | | DR-Z 400 SMK5/SMK6/SMK7/SMK8/SMK9 | 05-10 | | | | | | | | | | | | | | | | | | | | | |
| MD6159D | | | Use MD6149D | | | | | | MD6181D/C | Rear | S | | | XR 650 R | 00-11 | 240 | | | | | | | | | |
| | | | | | | | | | | | | | | | | | | | | | | | | | |

All part numbers, prefixes and suffixes shown in this catalog are unique and form a registered copyright as the property of EBC Brakes and its UK trademark owners

DIRTBIKE DISC BUYERS GUIDE

| Disc No | Front /Rear | Type | Models | Dia (mm) | Disc No | Front /Rear | Type | Models | Dia (mm) | | | | | | |
|--|--|-------|--------------------------|---|----------------|-------------|---|--|----------|------|---|--|------|---|-----------------------|
| MD6184D Option: SM6184 320mm oversize | Front | S | Husqvarna | 260 | MD6189D | Front | S | YFM 660 FAP/FHAP/FSAP/FAR/FR/FS/FHS /FHT/FT/FV/FGHW/FGX/FGHX Grizzly 02-08 | 220 | | | | | | |
| | | | CR 125 00-08 | | | | | YFM 660 FAHDV/W Ducks Unlimited Edition /Side x Side 06-07 | | | | | | | |
| | | | SM 125 00 | | | | | MD6190D MD6190C | | Rear | S | YZ 125 P/R/S/T/N/W/X/Y/Z/A 02-11 | | | |
| | | | SMS 125 (2T) 02-11 | | | | | | | | | YZ 250 P/R/S/T/N/W/X/Y/Z/A (2T) 02-11 | | | |
| | | | SMS-4-125 (4T) 10-11 | | | | | | | | | YZ 250 FP/FR/FS/FT/FV/FW/FX/FY/FZ/FA 02-11 | | | |
| | | | WR 125 00-10 | | | | | | | | | WR 250 FR/FS/FT/FV/FW/FX/FY/FZ/FA (4T) 03-11 | | | |
| | | | WRE 125 00-11 | | | | | | | | | YZ 426 FP 02 | | | |
| | | | WXE 125 07 | | | | | | | | | WR 426 FP 02 | | | |
| | | | CR 250 00-05 | | | | | | | | | YZ 450 FR/FS/FT/FV/FW/FX/FY/FZ/FA 03-11 | | | |
| | | | TC 250 02-08 | | | | | | | | | MD6191D MD6191C | Rear | S | CR 125 R 02-07 |
| | | | TE 250 02-08 | | | | | | | | | | | | CR 250 R 02-07 |
| | | | TXC 250 Cross Country 08 | | | | | | | | | | | | CRF 250 R/RA/RB 04-11 |
| | | | WR 250 00-09 | | | | | | | | | | | | CRF 250 X 05-11 |
| | | | TE 310 (4T) 09 | | | | | | | | | | | | CRF 450 R/RA/RB 02-11 |
| | | | WR 360 00-02 | | | | | | | | | | | | CRF 450 X 05-11 |
| TE 400 02 | MD6192D MD6192C | Front | S | KTM 60 SX 98-99 | | | | | | | | | | | |
| TE 410 00/06 | | | | 65 SX 00-03 | | | | | | | | | | | |
| TE 410 E 00 | | | | MD6195D | Front | S | LT-A 400 FK8/FK9/FL0 King Quad 400 AS 08-10 | | | | | | | | |
| TC 450 03/05-08 | | | | | | | LT-A 400 FCK8/9 King Quad 400 AS Camo 08-09 | | | | | | | | |
| TE 450 03-08 | | | | | | | LT-A 400 FQK9 King Quad 400 AS Anniversary Edition 08-09 | | | | | | | | |
| TXC 450 Cross Country 08 | | | | | | | LT-A 400 FL1 King Quad 400 ASi 11 | | | | | | | | |
| TC 510 04-09 | | | | | | | LT-A 400 FCL1 King Quad 400 ASi Camo 11 | | | | | | | | |
| TE 510 04-08 | | | | | | | LT-F 400 FK8/FK9 King Quad 400 FS 09 | | | | | | | | |
| TXC 510 Cross Country 08 | | | | | | | LT-F 400 FCK8/FCK9 King Quad 400 FS Camo 08-09 | | | | | | | | |
| TC 570 02-03 | | | | | | | LT-F 400 FQK9 King Quad 400 FS Anniversary Edition 09 | | | | | | | | |
| TE 570 01-04 | | | | | | | LT-F 4WD V/W Quadrunner 4WD (250cc) 97-98 | | | | | | | | |
| SM 610 R 00 | | | | | | | LT-A 400 FK2/FK3/FK4/FK5/FK6/FCK5/FCK6 /FCK7/FK7 Eiger 02-07 | | | | | | | | |
| TC 610 00 | | | | | | | LT-A 400 FK8 Kingquad Auto 4WD 08-09 | | | | | | | | |
| TE 610 00 | | | | | | | LT-A 400 K8 Kingquad Auto 2WD 08 | | | | | | | | |
| TE 610 E 00-03 | | | | | | | LT-A 400 K2/K3/K4/K6 Eiger 02-04/06 | | | | | | | | |
| TE 610/E 06-09 | LT-F 400 FK2/FK3/FK4/FK5/FK6/FCK5 /FCK6/FCK7/FK7 (Eiger 4WD) 02-07 | | | | | | | | | | | | | | |
| TE 630 10 | LT-F 400 FL1 King Quad 400 FSi 11 | | | | | | | | | | | | | | |
| | | | | LT-F 400 FCL1 King Quad 400 FSi Camo 11 | | | | | | | | | | | |
| | | | | LT-F 400 K2 Eiger Manual 2WD 02 | | | | | | | | | | | |
| | | | | LT-F 400 K3/4/5/6/7 03-08 | | | | | | | | | | | |
| | | | | LT-F 400 K8 Manual 08 | | | | | | | | | | | |
| | | | | LT-A 500 FK2/FK3/FK4/FK5/FK6/FK7 Vinson 4WD 02-07 | | | | | | | | | | | |
| | | | | LT-F 500 FK3/FK4/FK5 Vinson Quadrunner 03-05 | | | | | | | | | | | |
| | | | | MD6196D | Rear | S | LT-A 500 FK2/FK3/FK4/FK5/FK6/FK7 Vinson 4WD 02-07 | 216 | | | | | | | |
| | | | | | | | LT-F 500 FK3/FK4/FK5 Vinson Quadrunner 03-05 | | | | | | | | |
| | | | | MD6197D | Rear | S | YFM 660 FAP/FHAP/FSAP/FAR/FS/FHS/FHT /FT/FV/FGHW/FGX/FGHX Grizzly 02-08 | 150 | | | | | | | |
| | | | | | | | YFM 660 FAHDV/W Ducks Unlimited Edition /Side x Side 06-07 | | | | | | | | |
| | | | | MD6199D MD6199C | Front | F | KTM | 320 | | | | | | | |
| | | | | | | | Duke 400 LC4 94-98 | | | | | | | | |
| | | | | | | | Duke 620 LC4 94-98 | | | | | | | | |
| | | | | | | | LC4 620 SC Supermoto 00 | | | | | | | | |
| | | | | | | | LC4 625 SC Supermoto 02 | | | | | | | | |
| | | | | | | | SMC 625 05 | | | | | | | | |
| | | | | | | | 640 Duke (Jet Black/Yellow/Adrenalin Orange) 03-06 | | | | | | | | |
| | | | | | | | Duke II 640 Orpheus/Titan/Lime 01- | | | | | | | | |
| | | | | | | | Duke II 640 Black/Orange 02 | | | | | | | | |
| | | | | | | | LC4-E 640 Supermoto 00-04 | | | | | | | | |

F = FLOATING ROTOR
S/F = FLOATING CONVERSION FOR FLAT SOLID ROTOR

CODES FOR TYPES
S = FLAT SOLID
D = FLOATING ROTOR CONVERSION FOR DISHED SOLID ROTOR

DISC BUYERS GUIDE

DIRTBIKE DISC BUYERS GUIDE

CODES FOR TYPES
S = FLAT SOLID
D = FLOATING ROTOR CONVERSION FOR DISHED SOLID ROTOR

F = FLOATING ROTOR
S/F = FLOATING CONVERSION FOR FLAT SOLID ROTOR

DISC
BUYERS GUIDE

| Disc No | Front /Rear | Type | Models | Dia (mm) | Disc No | Front /Rear | Type | Models | Dia (mm) |
|---------|-------------|------|--------------------------------|----------|---------|-------------|------|--|----------|
| MD6200D | Rear | S | Magnum 330 (2x4/4x4/HDS) 03-06 | 206 | MD6202D | Front | S | 500 Sportsman Touring H.O. 08-10 | 228 |
| | | | ATP 330 (4x4) 04-05 | | | | | 500 Sportsman EFI Quad H.O. 08-10 | |
| MD6201D | Rear | S | ATV Pro 500 4x4 PPS 02 | 218 | MD6202D | Rear | S | Sportsman X2 800 EFI 07-09 | 228 |
| | | | Magnum 500 4x4 HDS 02-04 | | | | | Sportsman 800 EFI Intl/HO 07-09 | |
| MD6202D | Front | S | PPS/PTV 4x4/Series 10 | 228 | MD6203D | | | 800 Sportsman Touring/EFI 08-10 | 228 |
| | | | PPS/PTV 6x6/Series 10 | | | | | Sportsman 800 EFI 6x6 09-10 | |
| MD6202D | Front | S | 330 Trail Boss 10-11 | 228 | MD6206D | Front | S | Use MD6188D | 168 |
| | | | 330 Trail Blazer 10-11 | | | | | LT-F 300 FK2 02 | |
| MD6202D | Front | S | ATP 500 H.O. (4x4) 04-05 | 228 | MD6207D | Front | S | LT-F 250 K2/K3/K4/K5/K6/K7/K8/K9 02-09 | 160 |
| | | | ATV Pro 500 4x4 PPS 02 | | | | | LT-Z 250 K4/K5/K6/K7/K8/K9 04-11 | |
| MD6202D | Front | S | Magnum 500 4x4 HDS 02-04 | 228 | MD6208D | Rear | S | Kawasaki | 240 |
| | | | Sportsman 450 07 | | | | | KX 125 M1/M2/M3 03-05 | |
| MD6202D | Front | S | 500 Scrambler 4x4 10-11 | 228 | MD6208C | Rear | S | KX 250 M1/M2/R1/R6F 03-06 | 240 |
| | | | Sportsman 500 HO/EFI 03-06 | | | | | KX 250 F N1/N2 04-05 | |
| MD6202D | Front | S | Sportsman 500 X2/EFI 06-08 | 228 | MD6210D | Front | S | KX 250 F (T6F/T7F/T8F) 06-08 | 240 |
| | | | Sportsman 600 4x4 03-05 | | | | | KX 250 F (W9F/XAFB/YBF) (4T) 09-11 | |
| MD6202D | Front | S | Sportsman 700 4x4/EFI 03-06 | 228 | MD6211D | Rear | S | KX 250 R6F/R7F 06-07 | 220 |
| | | | Sportsman MV 700 05-06 | | | | | KX 450 F (D6F/D7F/D8F) 06-08 | |
| MD6202D | Front | S | Sportsman 800 EFI 05-07 | 228 | MD6212D | Front | S | KX 450 F (E9F/EAF/EBF) (4T) 09-11 | 220 |
| | | | PPS/PTV 4x4/Series 10 | | | | | KLX 450 R (A8F/A9F/AAF/ABF) 08-11 | |
| MD6202D | Front | S | PPS/PTV 10 UTV 2x4 | 228 | MD6213D | Front | S | Suzuki | 250 |
| | | | PPS/PTV 10 UTV 4X6 | | | | | RM-Z 250 K4/K5/K6/K7 04-07 | |
| MD6202D | Front | S | PPS/PTV 11 UTV 1500 2x4 | 228 | MD6214D | Front | S | Kawasaki | 230 |
| | | | Ranger Series 10 | | | | | RX 50/RX 50 Racing 04 | |
| MD6202D | Front | S | Ranger Series 10 500 6x6 | 228 | MD6214D | Front | S | MX 50 04 | 230 |
| | | | Ranger Series 11 | | | | | | |
| MD6202D | Front | S | Ranger Series 11 2x4/4x4 | 228 | MD6214D | Front | S | | 230 |
| | | | PPS/Series 11 6x6 | | | | | | |
| MD6202D | Front | S | Sportsman 500 EFI/HO 07-08 | 228 | MD6214D | Front | S | | 230 |
| | | | 500 Ranger (Carb) 2x4 09 | | | | | | |
| MD6202D | Front | S | Ranger 6x6 04-05 | 228 | MD6214D | Front | S | | 230 |
| | | | Ranger TM 04-05 | | | | | | |
| MD6202D | Front | S | Ranger XP 05 | 228 | MD6214D | Front | S | | 230 |
| | | | Ranger 2x4/4x4 04-05 | | | | | | |
| MD6202D | Front | S | Ranger 400 HO 10-11 | 228 | MD6214D | Front | S | | 230 |
| | | | Ranger 500 (2x4/4x4) 06-07 | | | | | | |
| MD6202D | Front | S | Ranger 500 (4x4 EFI) 06-07 | 228 | MD6214D | Front | S | | 230 |
| | | | Ranger 500 4x4 EFI 08 | | | | | | |
| MD6202D | Front | S | Ranger 500 2x4 08 | 228 | MD6214D | Front | S | | 230 |
| | | | Ranger Crew 500 11 | | | | | | |
| MD6202D | Front | S | 700 Ranger Crew (EFI) 4x4 09 | 228 | MD6214D | Front | S | | 230 |
| | | | Ranger 6x6 EFI 700 06-09 | | | | | | |
| MD6202D | Front | S | Ranger XP 700 4x4 06 | 228 | MD6214D | Front | S | | 230 |
| | | | Ranger TM 06 | | | | | | |
| MD6202D | Front | S | Ranger 700 6x4 EFI 08 | 228 | MD6214D | Front | S | | 230 |
| | | | Ranger 700 4x4 EFI/LE 07 | | | | | | |
| MD6202D | Front | S | Ranger XP 700 4x4 08 | 228 | MD6214D | Front | S | | 230 |
| | | | Ranger EV (Electric) 10-11 | | | | | | |
| MD6202D | Front | S | Sportsman 700 EFI 07 | 228 | MD6214D | Front | S | | 230 |
| | | | 700 Sportsman X2 08 | | | | | | |
| MD6202D | Front | S | Sportsman 800 EFI 07 | 228 | MD6214D | Front | S | | 230 |
| | | | Sportsman X2 500 EFI 07-09 | | | | | | |

All part numbers, prefixes and suffixes shown in this catalog are unique and form a registered copyright as the property of EBC Brakes and its UK trademark owners

DIRTBIKE DISC BUYERS GUIDE

| Disc No | Front /Rear | Type | Models | Dia (mm) | Disc No | Front /Rear | Type | Models | Dia (mm) |
|--|-------------------------------|------|--|----------|--|-------------|--------------------|---|-------------------------|
| MD6215D | Front | S | YFM 250 BT/BV Bruin 05-06 | 200 | MD6222D | Front | S | Outlander 500 (STD 4x4) 07-11 | 205 |
| | | | YFM 350 FAS/FAT 350 Bruin 4x4 Auto 04-06 | | | | | Outlander 500 (XT 4x4) 07-11 | |
| | | | YFM 350 AS/AT/AV 350 Bruin 2x4 Auto 04-06 | | | | | Outlander Max 500 (Std 4x4/XT 4x4) 07-11 | |
| | | | YFM 350 GW/GX/GY/GZ/GA Grizzly 2x4 (2WD) 07-11 | | | | | Renegade 500 (4x4/EFI) 08-09 | |
| | | | YFM 350 XV/XW/XX/XY Wolverine (2WD) 06-09 | | | | | Outlander 650 (4x4 STD) 07-11 | |
| | | | YFM 350 FGIW/FGIX/FGIY/FGIZ/FGIA Grizzly Auto IRS 4x4 07-11 | | | | | Outlander 650 (XT 4x4) 07-11 | |
| | | | YFM 400 FGW/FGX/FGY/FGZ/FGA Grizzly 4x4 07-11 | | | | | Outlander Max 650 (Std 4x4/XT 4x4) 07-1 | |
| | | | YFM 400 FAR/FAS Kodiak Auto 03-04 | | | | | Outlander 800 (STD 4x4) 07-08 | |
| | | | YFM 400 AR/AS Kodiak 2WD 03-04 | | | | | Outlander 800 (XT 4x4) 07-08 | |
| | | | YFM 400 FAS/FAT/FAHT/FAV Kodiak 4WD 04-05 | | | | | Outlander 800 R EFI 09 | |
| | | | YFM 400 FBHW/FBHZ/Y/Z Big Bear 400 Hunter-IRS 07-10 | | | | | Outlander 800 R XT 09-11 | |
| | | | YFM 400 FBEW Big Bear 400 IRS Exploring Edition 07 | | | | | Outlander Max 800 R XT 09-10 | |
| | | | YFM 400 FBW/FBX/FBY/FBA Big Bear 4WD IRS 07-09/11 | | | | | Outlander Max 800 R EFI 09-11 | |
| | | | YFM 450 FAR/FAS/FAT/FAHT/FAV Kodiak 03-05 | | | | | Outlander Max 800 (Ltd 4x4/Std 4x4/XT 4x4) 07-08 | |
| | | | YFM 450 FGPA Grizzly 450 Auto 4x4 EPS 11 | | | | | Renegade 800 R EFI 09-11 | |
| | | | YFM 450 FGW Grizzly Auto 4x4 IRS 07 | | | | | Renegade 800 R X 09-11 | |
| | | | YFM 450 FGX/FGY/FGZ/FGA Grizzly 450 Auto 4x4 08-11 | | | | | | |
| YFM 450 FXV/FXW/FXX/FXY/FXZ Wolverine Auto 4x4 06-10 | | | | | | | | | |
| YFM 450 FXSEW Wolverine Sport Special Edition 07 | | | | | | | | | |
| MD6216D | Rear | S | KTM | 160 | MD6223D | Rear | S | Bombardier Outlander 330 H.O. 04-05 | 180 |
| | | | 60 SX 00 | | | | | Outlander 400 03-05 | |
| | | | 65 SX 00-03 | | | | | Outlander 400 Max H.O. 03-06 | |
| MD6217D | Rear | S | Honda | 170 | | | | Outlander 400 HO EFI 4x4/HO EFI XT 4x4 06 | |
| | | | TRX 420 FPA Power Steering Fourtrax Rancher AT 09-10 | | | | | Outlander Max 650 HO EFI 4x4/HO EFI XT 4x4 06 | |
| | | | TRX 420 FA9 Fourtrax Rancher AT 09 | | | | | Outlander 800 (All models) 06 | |
| | | | TRX 650 FA 03-05 | | | | | Can-Am | |
| | | | TRX 650 FGA 04-05 | | | | | Outlander 400 (4x4 STD) 2D7A/B/C/D/E/F/G/H) 07-11 | |
| | | | TRX 680 FGA6/FGA7/FGA8 Fourtrax Rincon Gpscape (675cc) 06-08 | | | | | Outlander 400 EFI 09-11 | |
| | | | TRX 680 FA6 Fourtrax Rincon 06-11 | | | | | Outlander 400 (XT 4X4) 07-09 | |
| MD6218D | Rear | S | Polaris | 196 | | | | Outlander Max 400 (Std 4x4/XT 4x4) 07-09 | |
| | | | Outlaw 450 S 08 | | | | | Outlander 500 (STD 4x4) 07-11 | |
| | | | Predator 500 03-07 | | | | | Outlander 500 (XT 4x4) 07-11 | |
| MD6219D | Front | S | Polaris | 178 | | | | Outlander Max 500 (Std 4x4/XT 4x4) 07-11 | |
| | | | Phoenix 200 05- | | | | | Renegade 500 (4x4/EFI) 08-11 | |
| | | | Outlaw 450 S 08 | | | | | Outlander 650 (4x4 STD) 07-11 | |
| | | | Outlaw 450 MXR 09-10 | | | | | Outlander 650 (XT 4x4) 07-11 | |
| | | | Outlaw 500 06-07 | | Outlander Max 650 (Std 4x4/XT 4x4) 07-11 | | | | |
| | | | Predator 500 03-07 | | Outlander 800 (STD 4x4) 07-08 | | | | |
| | | | 500 E Predator 06 | | Outlander 800 (XT 4x4) 07-08 | | | | |
| 525 S Outlaw 08-10 | Outlander 800 R EFI 09 | | | | | | | | |
| 525 Outlaw IRS 08-10 | Outlander Max 800 R EFI 09-11 | | | | | | | | |
| MD6220D | Front | S | Bombardier | 155 | Outlander Max 800 R XT 09-11 | | | | |
| | | | Rally 200 03-06 | | Outlander 800 R XT 09-10 | | | | |
| | | | Can-Am | | Outlander Max 800 (Ltd 4x4/Std 4x4/XT 4x4) 07-08 | | | | |
| Rally 200 06 | Renegade 800 X (4x4/EFI) 08 | | | | | | | | |
| MD6221D | Rear | S | Bombardier Rally 200 03-05 | 155 | Renegade 800 (4x4/EFI) 07-08 | | | | |
| MD6222D | Front | S | Bombardier | 205 | Renegade 800 R EFI 09-11 | | | | |
| | | | Outlander 330 H.O. 04-05 | | Renegade 800 R X 09-11 | | | | |
| | | | Outlander 400 03-05 | | | | | | |
| | | | Outlander 400 Max H.O. 03-06 | | | | | | |
| | | | Outlander 650 HO EFI 4x4/HO EFI XT 4x4 06 | | | | | | |
| | | | Outlander Max 650 HO EFI 4x4/HO EFI XT 4x4 06 | | | | | | |
| | | | Outlander 800 (All models) 06 | | | | | | |
| | | | Can-Am | | | | | | |
| | | | Outlander 400 (4x4 STD) 2D7A/B/C/D/E/F/G/H) 07-11 | | | | | | |
| | | | Outlander 400 (XT 4X4) 07-09 | | | | | | |
| Outlander 400 EFI 09-11 | | | | | | | | | |
| Outlander Max 400 (Std 4x4/XT 4x4) 07-09 | | | | | | | | | |
| MD6224D | Front | S | Bombardier | 203 | Quest 500 (4x4) 02-04 | | | | |
| | | | Quest 500 (2x4) 02 | | | | | | |
| | | | Quest 650 (2x4) 02 | | | | | | |
| | | | Quest 650 (4x4) 02-04 | | | | | | |
| | | | Quest 650 XT (4x4) 02 | | | | | | |
| | | | Quest Max 650 03-04 | | | | | | |
| | | | MD6224D | | Rear | S | Bombardier | 203 | Traxter Autoshift 01-04 |
| | | | | | | | | | |
| | | | MD6225D | | Rear | S | Bombardier | 218 | Quest 500 (4x4) 02-04 |
| | | | | | | | Quest 500 (2x4) 02 | | |
| Quest 650 (2x4) 02 | | | | | | | | | |
| Quest 650 (4x4) 02-04 | | | | | | | | | |
| Quest 650 XT (4x4) 02 | | | | | | | | | |
| Traxter Max 03-05 | | | | | | | | | |
| Traxter Max 650 04-05 | | | | | | | | | |
| Traxter XL (7920/7921) 04 | | | | | | | | | |
| Quest Max/STD/XT 03-05 | | | | | | | | | |
| John Deere ATV | | | | | | | | | |
| Trail Buck 500/650 EX/EXT 04-08 | | | | | | | | | |
| Buck 500/650 EX/EXT 04-08 | | | | | | | | | |

F = FLOATING ROTOR
S/F = FLOATING CONVERSION FOR FLAT SOLID ROTOR

CODES FOR TYPES
S = FLAT SOLID
D = FLOATING ROTOR CONVERSION FOR DISHED SOLID ROTOR

DISC BUYERS GUIDE

DIRTBIKE DISC BUYERS GUIDE

CODES FOR TYPES
S = FLAT SOLID
D = FLOATING ROTOR CONVERSION FOR DISHED SOLID ROTOR

F = FLOATING ROTOR
S/F = FLOATING CONVERSION FOR FLAT SOLID ROTOR

DISC
BUYERS GUIDE

| Disc No | Front /Rear | Type | Models | Dia (mm) | Disc No | Front /Rear | Type | Models | Dia (mm) |
|---------|-------------|------|--|-----------------------|-----------|-------------|------|--|----------|
| MD6227D | Rear | | KTM | 220 | MD6245D | Front | S | Traxter Max 03-05 | 203 |
| | | | EXC 125 88-89 | Traxter Max 650 04-05 | | | | | |
| | | | MX/MXC/GS 125 86 | | | | | Traxter XL (7920/7921) 04 | |
| | | | MX 125 88-89 | | | | | Quest Max/STD/XT 04-05 | |
| | | | EXC/EGS 250 88-89 | | | | | John Deere ATV | |
| | | | GS 250 86 | | | | | Trail Buck 500/650 EX/EXT 04-08 | |
| | | | MX 250 88-89 | | | | | Buck 500/650 EX/EXT 04-08 | |
| | | | MX/MXC 250 86 | | | | | | |
| | | | MX/MXC/GS 300 86 | | MD6246C | Rear | S | RM 85 LK5/K5/LK6/K6/K7/LK7/LK8/LK8/K9 /LK9/L0/LLO 05-11 | 200 |
| | | | EXC 350 89 | | MD6247C/D | Front | F | DR-Z 400 SMK5/SMK6/SMK7/SMK8 /SMK9 05-10 | 310 |
| | | | MX/MXC/GS 350 86/88 | | MD6249C | Rear | S | KTM | |
| | | | MX 350 89 | | | | | 65 SX 04-09 | 160 |
| MD6228D | | | Use MD6229D | | | | | SX 65 09-11 | |
| MD6229D | Front | S | Bombardier | 205 | | | | XC 65 08-10 | |
| | | | Traxter (4x4) 99-00 | | MD6251D | Front | S | TRX 500 FA/FGA 05-09/11 | 180 |
| | | | Traxter XL (4x4) 01 | | | | | TRX 500 FE/FA Fourtrax Foreman 4x4/ES 05-10 | |
| | | | Traxter XT (4x4) 00-01 | | | | | TRX 500 FMA Fourtrax Foreman 4x4 05-10 | |
| | | | Traxter Autoshift 01 | | | | | TRX 500 FPA9 Fourtrax Foreman Rubicon Gpscape with EPS 09/11 | |
| | | | Traxter Footshift 01 | | | | | TRX 500 TMS/TM6 Fourtrax Foreman 2x4 05-06 | |
| | | | Traxter (4x4) 01 | | | | | TRX 500 FPE Fourtrax Foreman 4x4 ES/EP 08-10 | |
| | | | Traxter XL (4x4) 01-04 | | | | | TRX 500 FEB/FE9 Fourtrax Foreman 4x4 EPS 08-09 | |
| MD6230D | Rear | S | Bombardier | 220 | | | | TRX 500 FPM8/FPM9 Fourtrax Foreman 4x4/EP 08-09 | |
| | | | Traxter (4x4) 99-00 | | | | | TRX 680 FA Fourtrax Rincon 06-11 | |
| | | | Traxter (4x4) 01 | | MD6252D | Rear | S | YFM 400 FAT/FAHT/FAV 05-06 | 220 |
| | | | Traxter XL (4x4) 01-04 | | | | | YFM 400 FGW/FGX Grizzly 4x4 07-08 | |
| | | | Traxter XT (4x4) 00-01 | | | | | YFM 450 FGW/FGX/FGY/FGZ Grizzly Auto 4x4 IRS 07-10 | |
| | | | Traxter Autoshift 01 | | | | | YFM 450 FAT/FAHT/FAV 05-06 | |
| | | | Traxter Footshift 01 | | MD6253D/C | Rear | S | GAS-GAS | 210 |
| MD6231D | | | Use MD3088LS/RS | | | | | Enduro EC 200/250/300 99-00 | |
| MD6232D | Rear | S | Suzuki | 260 | | | | EC 125/200/250/300 01-09 | |
| | | | DL 650 K4/K5/K6/AK7/K7/AK8/K8 /AK9/K9/AL1 V-Strom 04-11 | | | | | EC 125 (All models/2T) 10-11 | |
| | | | DL 1000 K2/K3/K4/K5/K6/K7/K8/K9 02-09 | | | | | EC 200/250/300 (All models/2T) 10-11 | |
| MD6233D | Rear | S | TRX 450 R/ER 04-11 | 190 | | | | MC 125 05 | |
| MD6236D | Rear | S | | 200 | | | | MX 125/250 01-04 | |
| | | | YFM 125 RA Raptor 11 | | | | | Pampera 125/450 05 | |
| | | | YFM 250 R (RSPA) 11 | | | | | SM 125/250 (4T) 01-05 | |
| | | | YFM 250 RX/RV/RZ/RA Raptor 08-11 | | | | | MX 200/250/300 99-00 | |
| | | | YFM 250 RSPX Special Edition 08 | | | | | SM 400 FSE (2T) 01-02 | |
| | | | YFM 250 RSXPC Special Edition Custom 08 | | | | | SM 450 03-05 | |
| | | | YFM 350 RS/RT/RV/RW/RX/RV/RZ/RA Raptor 04-11 | | MD6254D/C | Front | S | RMZ 250 K7/K8/K9/L0/L1 07-11 | 250 |
| | | | YFZ 450 S/T 04-05 | | | | | RMZ 450 K5/K6/K7/ZK7/K8/K9/L0/L1 05-11 | |
| MD6237D | Rear | S | YFS 200 R/S/T/V Blaster 03-06 | 220 | MD6255D/C | Rear | S | RMZ 250 K7/K8/K9/L0/L1 07-11 | 240 |
| | | | YFZ 350 A/B/D/E/F/G/H/J/K /L/M/N/P/R/S/T/V Banshee 90-06 | | | | | RMZ 450 K5/K6/K7/ZK7/K8/K9/L0/L1 05-11 | |
| | | | YFM 660 RN/RP/RPB/RR/RS 01-04 | | MD6256D | Rear | S | Scrambler 500 (2X4/4X4) 05-10 | 203 |
| MD6238D | | | Use MD6215D | | | | | 500 Scrambler 4x4 10-11 | |
| MD6239D | Front | S | KL 250 G4-G8 00-04 | 240 | | | | Trail Blazer 250 05-06 | |
| MD6241D | Front | S | YXR 450 Rhino (All models) 06-09 | 200 | | | | Trail Boss 330 05-10 | |
| | | | YXR 660 Rhino 04-07 | | | | | 330 Trail Blazer 08-11 | |
| MD6242D | Rear | S | YXR 450 Rhino (All models) 06-09 | 165 | | | | 330 Trail Boss 10-11 | |
| OS6242A | | | YXR 660 Rhino 04-07 | | MD6257C | Rear | S | KTM | 200 |
| ▲195mm | | | YXR 700 Rhino FI Auto 4x4 Ducks Unlimited Version 09 | | | | | 85 SX 03-10 | |
| MD6243D | Front | S | KTM | 198 | | | | SX 85 (19"/16" wheels) 03-10 | |
| | | | 65 SX 04-09 | | | | | XC 85 08-09 | |
| | | | SX 65 09-11 | | | | | SX 105 07-11 | |
| | | | XC 65 08-10 | | | | | XC 105 08-10 | |
| MD6244D | Rear | S | YAMAHA | 203 | | | | | |
| | | | XT 250 X/Y/Z/A 08-11 | | | | | | |

DIRTBIKE DISC BUYERS GUIDE

| Disc No | Front /Rear | Type | Models | Dia (mm) | Disc No | Front /Rear | Type | Models | Dia (mm) | | | | | | | | |
|--|----------------|---|---|----------|----------------------|---|----------|----------------------------------|---|----------------|-------|------------------------------------|-------------------------|-------|------------------------------------|---|-------|
| MD6258C OSD6258C | Front | S | KTM | 220 | MD6269D | Rear | S | KTM 690 Rally Factory Rep | 07-08 | 240 | | | | | | | |
| | | | 85 SX | | | | | 950 Adventure/S | 04-06 | | | | | | | | |
| | | | SX 85 (19"/16" wheels) | | | | | | | | | | | | | | |
| | | | SX 85 (17"/14" wheels) | | | | | | | | | | | | | | |
| | | | XC 85 | | | | | | | | | | | | | | |
| SX 105 | | | | | | | | | | | | | | | | | |
| XC 105 | | | | | | | | | | | | | | | | | |
| MD6259D | Rear | S | CAGIVA Elefant 650 | 86-87 | 240 | MD6270D/C | Front | F | KTM SMR 450/560 | 05-06 | 310 | | | | | | |
| MD6261D | Front | S | Suzuki LT-A 450 XK7/XK8/XK9 | 07-09 | MD6271D | Front | S | XT 650 Hi Prowler | 06-09 | 252 | | | | | | | |
| | | | LT-A 450 XCK7/8/9 King Quad 450 AXi Camo | 07-09 | | | | MD6272D | Front | | S | Polaris Hawkeye 300 2x2/4x2 | 06 | | | | |
| | | | LT-A 450 XZK8/XZK9 King Quad 450 AXi | | | | | | | | | Hawkeye 2x4/4x4 | 07 | | | | |
| | | | Special Edition | 08-09 | | | | | | | | Sportsman 300 (4x4) | 08-10 | | | | |
| | | | LT-A 700 XK5/XCK6/XK6/XK7/XCK7 | 05-07 | | | | | | | | 400 Sportsman HO 4x4 | 08-10 | | | | |
| | | | LT-A 750 XK8/XK9/XL1 King Quad 750 AXi | 08-11 | | | | | | | | MD6273D | Rear | S | Polaris Hawkeye 300 2x2/4x2 | 06 | |
| | | | LT-A 750 XCK8/XCK9 King Quad 750 AXi Camo | 08-09 | | | | | | | | | | | Hawkeye 2x4/4x4 | 07 | |
| | | | AXi Special Edition | 08-09 | | | | | | | | | | | Sportsman 300 (4x4) | 08-10 | |
| | | | LT-A 750 XRK9 King Quad 750 AXi | | | | | | | | | | | | 400 Sportsman HO 4x4 | 08-10 | |
| | | | Rockstar Edition | 09 | | | | | | | | | | | MD6274D | Front | S |
| MD6262D | Front | S | Trail Blazer 250 | 05-06 | 182 | Sawtooth | 06-07 | | | | | | | | | | |
| | | | Trail Boss 330 | 05-10 | | Phoenix 200 | 06-11 | | | | | | | | | | |
| | | | 330 Trail Blazer | 08-10 | | 200 Phoenix Rear disc model | 05-09 | | | | | | | | | | |
| Scrambler 500 2x4 | 07-08 | MD6275D | Rear | S | Sportsman 500 EFI/HO | 07-08 | | | | | | | | | | | |
| MD6263D | Rear | | | | S | YFZ 450 V/W/X/Y | 06-09 | 220 | 500 Sportsman EFI Quad H.O. | 08-10 | | | | | | | |
| | | | | | | YFZ 450 RY/RZ/RA | 09-11 | Sportsman 450 | 07 | | | | | | | | |
| | | | | | | YFZ 450 XZ/XA | 10-11 | Sportsman 500 X2/EFI | 06-08 | | | | | | | | |
| | | | | | | YZF 450 BBW Bill Balance Edition | 07 | 500 Sportsman Touring H.O. | 08-10 | | | | | | | | |
| | | | | | | YZF 450 SEW/SPX Special Edition | 07-08 | 400 Ranger | 10 | | | | | | | | |
| | | | | | | YZF 450 XSEA | 11 | Ranger 400 HO | 10-11 | | | | | | | | |
| | | | | | | YZF 450 RSEA | 11 | Ranger EV (Electric) | 10 | | | | | | | | |
| | | | | | | YFM 700 RV/RW/RX/RY/RA Raptor | 06-09/11 | 500 Ranger (Carb) 2x4 | 09 | | | | | | | | |
| | | | | | | YFM 700 RSEW/RSPX/RSPY/RSEA Special Edition | 07-09/11 | 500 Ranger (EFI) 2x4 | 09-10 | | | | | | | | |
| | | | | | | Ranger 500 (2x4/4x4) | 06-07 | | | | | | | | | | |
| | | | Ranger 500 (4x4 EFI) | 06-07 | | | | | | | | | | | | | |
| | | | Ranger 500 4x4 EFI | 08 | | | | | | | | | | | | | |
| | | | Ranger 500 2x4 | 08 | | | | | | | | | | | | | |
| | | | Ranger Crew 500 | 11 | | | | | | | | | | | | | |
| | | | Sportsman X2 500 EFI | 07-09 | | | | | | | | | | | | | |
| | | | 700 Ranger 4x4 EFI | 09 | | | | | | | | | | | | | |
| | | | 700 Ranger Crew (EFI) 4x4 | 09 | | | | | | | | | | | | | |
| | | | Ranger 6x6 EFI 700 | 06 | | | | | | | | | | | | | |
| | | | Ranger XP 700 4x4 | 06 | | | | | | | | | | | | | |
| | | | Ranger TM | 06 | | | | | | | | | | | | | |
| | | | Ranger 700 6x4 EFI | 08 | | | | | | | | | | | | | |
| | | | Ranger 700 4x4 EFI/LE | 07 | | | | | | | | | | | | | |
| | | | Ranger XP 700 4x4 | 08 | | | | | | | | | | | | | |
| | | | Sportsman 700 EFI | 07 | | | | | | | | | | | | | |
| | | | 700 Sportsman X2 | 08 | | | | | | | | | | | | | |
| | | | 800 Ranger RZR S EFI | 09-11 | | | | | | | | | | | | | |
| | | | 800 Ranger RZR | 08-11 | | | | | | | | | | | | | |
| | | | Ranger Crew 800 (RGR 4x4) | 10-11 | | | | | | | | | | | | | |
| | | | 800 Ranger 6x6 | 10-11 | | | | | | | | | | | | | |
| | | | 800 Ranger XP | 10-11 | | | | | | | | | | | | | |
| | | | 800 Ranger HD | 10-11 | | | | | | | | | | | | | |
| | | | 800 Ranger RZR-4 | 11 | | | | | | | | | | | | | |
| | | | Ranger EV (Electric) | 10-11 | | | | | | | | | | | | | |
| | | | Sportsman X2 800 EFI | 07-09 | | | | | | | | | | | | | |
| | | | Sportsman 800 EFI Intl/HO | 07-10 | | | | | | | | | | | | | |
| | | | Sportsman 800 EFI 6x6 Big Boss | 09-10 | | | | | | | | | | | | | |
| | | | Sportsman 500 EFI intl | 07 | | | | | | | | | | | | | |
| | | | 500 Sportsman Touring | 08-09 | | | | | | | | | | | | | |
| | | | 500 Sportsman EFI Quad | 08-09 | | | | | | | | | | | | | |
| | | | 800 Sportsman Touring/EFI | 08-09 | | | | | | | | | | | | | |
| | | | Ranger 4x4 900 D (Diesel) | 11 | | | | | | | | | | | | | |
| MD6264D/C OS6264 SM6264 | Front | S | KX 250 R6F/T6F/R7F/T7F/T8F | 06-08 | 250 | MD6277D | Front | S | LT-R 450 K6/K7/K8/K9/L1 | 06-11 | 160 | | | | | | |
| | | | KX 250 F (W9F/XAFB/YBF) (4T) | 09-11 | | | | | LT-R 450 ZK8/ZK9 Quad Racer Ltd Edition | 08-09 | | | | | | | |
| | | | KX 450 D6F/D7F/D8F | 06-08 | | | | | MD6278D | Rear | | S | LT-R 450 K6/K7/K8/K9/L1 | 06-11 | | | |
| KX 450 F (E9F/EAF/EBF) (4T) | 09-11 | LT-R 450 ZK8/ZK9 Quad Racer Ltd Edition | 08-09 | | | | | | | | | | | | | | |
| KLX 450 R (A8F/A9F/AAF/ABF) | 08-11 | | | | | | | | | | | | | | | | |
| MD6265D | Front | F | CAGIVA Elefant 650 | 86-87 | 260 | | | | | | | | | | | | |
| MD6266D | Front | S | KTM LC-4 Adventure 640 | 03-06 | 300 | | | | | | | | | | | | |
| | | | 950 Adventure/S | 04-06 | | | | | | | | | | | | | |
| MD6267D | Front/ Rear | S | Kymco | 180 | MD6268D | Rear | S | Kymco | 220 | MD6279D | Front | S | Kymco | 220 | | | |
| | | | Mongoose 70 (4T) | | | | | 07-09 | | | | | KXR 250 | | 04-10 | LT-R 450 K6/K7/K8/K9/L1 | 06-11 |
| | | | Mongoose 90 | | | | | 02-11 | | | | | MXU 250 | | 04-10 | LT-R 450 ZK8/ZK9 Quad Racer Ltd Edition | 08-09 |
| | | | KXR 250 | | | | | 04-10 | | | | | Mongoose 300 | | 06-11 | | |
| | | | MXU 150 | | | | | 03-11 | | | | | Arctic Cat | | 06-08 | | |
| | | | Mongoose 300 | | | | | 06-11 | | | | | | | | 250DVX | 06-08 |
| | | | MXU 300 | | | | | 05-11 | | | | | | | | 300 DVX | 09-10 |
| | | | Kawasaki ATV | | | | | | | | | | | | | | |
| | | | KXF 50 (KSF 50 B7F/B8F/B9F) | | | | | 07-09 | | | | | | | | | |
| | | | KXF 90 (KSF 90 A7F/A8F/A9F/AAF/ABF) | | | | | 07-11 | | | | | | | | | |
| | | | Arctic Cat | | | | | | | | | | | | | | |
| | | | 50 DVX (4T) | | | | | 06-08 | | | | | | | | | |
| | | | 50 Utility | | | | | 06-08 | | | | | | | | | |
| | | | 90 DVX | | | | | 06-10 | | | | | | | | | |
| | | | 90 Utility (2 x 4) | | | | | 06-10 | | | | | | | | | |
| 150 Utility 2x4 | 09-10 | | | | | | | | | | | | | | | | |
| 250 Utility | 06-09 | | | | | | | | | | | | | | | | |
| 250DVX | 06-08 | | | | | | | | | | | | | | | | |

F = FLOATING ROTOR
S/F = FLOATING ROTOR CONVERSION FOR FLAT SOLID ROTOR

CODES FOR TYPES
S = FLAT SOLID
D = FLOATING ROTOR CONVERSION FOR DISHED SOLID ROTOR

DISC
BUYERS GUIDE

DIRTBIKE DISC BUYERS GUIDE

CODES FOR TYPES
S = FLAT SOLID
/D = FLOATING ROTOR CONVERSION FOR DISHED SOLID ROTOR

F = FLOATING ROTOR
/S/F = FLOATING CONVERSION FOR FLAT SOLID ROTOR

DISC
BUYERS GUIDE

| Disc No | Front /Rear | Type | Models | Dia (mm) | Disc No | Front /Rear | Type | Models | Dia (mm) | | | | | | | | | | | | | | | | | | | | | | | | | | | | |
|---------|-------------|------|--|----------|--------------|--------------------|-------------------------------------|--|---------------|----------------|-----------------------------------|---------------------------------|-------------|----------------------------------|----------------------------------|-----------------------------------|------------------------------------|------------------------------|-----------------|--------------------------|--------------------------------------|---------------|---------------------------------------|--|--|--|--------------------------------------|--|----------------|--------------|-------------------------------|-----------------|--------------|------------|---------------|-----------|----------------|
| MD6282D | Rear | S | DS 250 06 | 190 | MD6292D | Rear | S | YFM 550 FGY/Z/A 4WD Grizzly Auto Fi 09-11 | 205 | | | | | | | | | | | | | | | | | | | | | | | | | | | | |
| | | | Can-Am DS 250 07-11 | | | | | YFM 550 FGPY/Z/A EPS Grizzly Auto Fi 09-11 | | | | | | | | | | | | | | | | | | | | | | | | | | | | | |
| MD6283D | Front | S | YM 90 RY/RZ/RA Raptor 09-11 | 175 | MD6293D | Front | F | YFM 700 FGPW/FGPX/FGPY/FGPZ/FGPA Grizzly 07-11 | 240 | | | | | | | | | | | | | | | | | | | | | | | | | | | | |
| | | | Can-Am DS 250 07-10 | | | | | YFM 700 FGPSEY/Z/A Grizzly FI Auto 4x4 EPS Special Edition 09-11 | | | | | | | | | | | | | | | | | | | | | | | | | | | | | |
| MD6285D | Rear | S | Rally 200 05-06 Can-Am Rally 200 07 | 200 | MD6294D | Front | F | Husqvarna | 320 | | | | | | | | | | | | | | | | | | | | | | | | | | | | |
| MD6287D | Rear | S | Husqvarna | 220 | | | | SM 400 R 02 | | SM 450 R 03-06 | SMR 450 RR (Radial caliper) 06-08 | SM 450 R (Radial caliper) 07-10 | SM 510 R 05 | SM 510 R (Radial caliper) 06-10 | SM 570 R (4 bolt front disc) 01- | SM 570 R 02-04 | SM 610/S (4 bolt front disc) 02-06 | SM 610 S (Radial caliper) 06 | SM 610 IE 07-09 | SM 630 09-10 | SMR 630 06 | SMS 630 10-11 | STR 650 CRC 07 | | | | | | | | | | | | | | |
| | | | CR 125 00-01 | | SM 125 00 | SMS 125 (2T) 02-11 | SMS-4-125 (4T) 10-11 | WR 125 00-01 | WRE 125 00-11 | CR 250 00-01 | WR 250 00-01 | WR 360 00-01 | TE 410 00 | SM 570 R (4 bolt front disc) 01- | TE 570 01-04 | SM 610 R 00 | SM 610/S (4 bolt front disc) 02-06 | TC 610 00 | TE 610 00 | TE 610 E 02-03 | TE 610/IE 06-09 | | | | | | | | | | | | | | | | |
| | | | MD6288D | | Rear | S | Husqvarna | 240 | MD6295D | Rear | S | Husqvarna | 220 | CR 125 02-05 | WR 125 02-05 | CR 250 02-05 | TC 250 02-03 | TE 250 02-05 | WR 250 02-05 | WR 360 02 | SM 400 R 02 | TE 400 02 | SM 450 R 03-06 | TC 450 03 | TE 450 03-05 | SM 510 R 05 | TC 510 04 | TE 510 04-05 | SM 570 R 02-04 | TC 570 02-03 | LT 610 (6 bolt front disc) 00 | SM 610 IE 07-09 | SM 630 09-10 | SMR 630 06 | SMS 630 10-11 | TE 630 10 | STR 650 CRC 07 |
| | | | CR 125 06-08 | | WR 125 06-08 | TC 250 05-08 | TE 250 06-08 | TXC 250 Cross Country 08 | | | | WR 250 06-09 | | TE 310 (4T) 09 | TE 410 06 | SMR 450 RR (Radial caliper) 06-08 | SM 450 R (Radial caliper) 07-10 | TC 450 05-10 | TE 450 06-10 | TXC 450 Cross Country 08 | SM 510 R (Radial caliper) 06-10 | TC 510 05-09 | TE 510 06-10 | TXC 510 Cross Country 08 | SM 610 S (Radial caliper) 06 | | | | | | | | | | | | |
| | | | MD6289D/C | | Front | S | Gas-Gas | 260 | | | | MD6298D | | Rear | F | KTM 690 SMC 08-10 | 240 | MD6299D/C | Front | F | | 300 | | | | | | | | | | | | | | | |
| | | | | | | | EC 125/200/250/300 00-08 | | | | | | | | | | | MD6301D | Rear | S | Hyosung | 160 | | | | | | | | | | | | | | | |
| | | | | | | | EC 125 (All models/2T) 10-11 | | | | | | | | | | | TE 50 05-08 | TE 90 05-08 | TE 100 05-08 | | | | | | | | | | | | | | | | | |
| | | | | | | | MC 125 05 | | | | | | | | | | | MD6302D | Front | S | TRX 420 TE/TM/FE/FM 7/8/9 07-09 | 185 | | | | | | | | | | | | | | | |
| | | | | | | | MX 125/250 01-08 | | | | | | | | | | | | | | TRX 420 FA Fourtrax Rancher AT 09-10 | | TRX 420 FM Fourtrax Rancher 4x4 07-10 | TRX 420 FPE Fourtrax Rancher 4x4 ES/EPS 09 | TRX 420 FPM Fourtrax Rancher 44 PS 09-10 | TRX 420 TM7/TM8/TM9 Fourtrax Rancher 07-10 | TRX 420 TE Fourtrax Rancher ES 07-10 | TRX 420 FPA Power Steering Fourtrax Rancher AT 09-10 | | | | | | | | | |
| | | | MD6290D | | Rear | S | Polaris 450 Outlaw MXR 09-10 | 228 | | | | | | | | | | | | | | | | | | | | | | | | | | | | | |
| | | | | | | | Outlaw 500 06-07 | | | | | | | | | | | | | | | | | | | | | | | | | | | | | | |
| | | | | | | | 525 S Outlaw 08-10 | | | | | | | | | | | | | | | | | | | | | | | | | | | | | | |
| | | | | | | | 525 Outlaw IRS 08-10 | | | | | | | | | | | | | | | | | | | | | | | | | | | | | | |
| MD6291D | Front | S | YFM 550 FGY/Z/A 4WD Grizzly Auto Fi 09-11 | 220 | | | | | | | | | | | | | | | | | | | | | | | | | | | | | | | | | |
| | | | YFM 550 FGPY/Z/A EPS Grizzly Auto Fi 09-11 | | | | | | | | | | | | | | | | | | | | | | | | | | | | | | | | | | |
| | | | YFM 700 FGPW/FGPX/FGPY/FGPZ/FGPA Grizzly 07-11 | | | | | | | | | | | | | | | | | | | | | | | | | | | | | | | | | | |
| | | | YFM 700 FGPSEY/Z/A Grizzly FI Auto 4x4 EPS Special Edition 09-11 | | | | | | | | | | | | | | | | | | | | | | | | | | | | | | | | | | |
| | | | YFM 700 FGX/FGY/FGZ/FGA Grizzly 08-11 | | | | | | | | | | | | | | | | | | | | | | | | | | | | | | | | | | |
| | | | YFM 700 FGPDUW/FGPDUX/FGPDUY Ducks Unlimited Edition 07-09 | | | | | | | | | | | | | | | | | | | | | | | | | | | | | | | | | | |

All part numbers, prefixes and suffixes shown in this catalog are unique and form a registered copyright as the property of EBC Brakes and its UK trademark owners

DIRTBIKE DISC BUYERS GUIDE

| Disc No | Front /Rear | Type | Models | Dia (mm) | Disc No | Front /Rear | Type | Models | Dia (mm) | | |
|---------------------------------|-------------|------|---|---|---------|-------------------------------|---------------|--------|--|---|-----|
| MD6304C | Rear | S | KSF 450 B8F/B9F/BAF/BBF (KFX 450 R) | 07-11 | 200 | MD6334D | Rear | S | DS 90 X (2x4/4T) | 08-11 | 180 |
| MD6305D/C | Rear | S | RM 125 K6/K7/K8 RM 250 K6/K7/K8 | 06-08 06-08 | 240 | MD6335D | Front | S | DS 90 X (2x4/4T) | 08-11 | 165 |
| MD6309C | Front | S | KL 650 E8F/E9F/EAF/EBF (KLR 650) | 08-11 | 280 | MD6336C | Front | F | SX 450 XC 450 SX 505 XC 525 | 09-11 08-11 09-11 08-11 | 180 |
| MD6310C | Rear | S | KL 650 E8F/E9F/EAF/EBF (KLR 650) | 08-11 | 240 | MD6337D | Rear | S | SX 450 XC 450 SX 505 XC 525 | 09-11 08-11 09-11 08-11 | 200 |
| MD6311D | Rear | S | Polaris 200 Sawtooth Quad Rear disc model 200 Phoenix rear disc model | 06 05-09 | 220 | MD6338D | Front | S | 500 Ranger (EFI) 4x4 H.O. 700 Ranger 4x4 EFI Ranger Crew 800 (RGR 4x4) 800 Ranger 6x6 800 Ranger XP 800 Ranger HD 800 Ranger RZR-4 Ranger 4x4 900 D (Diesel) | 09-10 09 10-11 10-11 10-11 10-11 11 11 | 225 |
| MD6312D | Front | S | Polaris 800 Ranger RZR S EFI 800 Ranger RZR | 09-11 08-11 | 235 | MD6339D | Front /Rear | S | 550 XP Sportsman EPS 550 Sportsman XP EPS 550 Sportsman X2 850 XP Sportsman 850 Sportsman XP EPS | 09-10 09-10 10 09-10 09-10 | 246 |
| MD6313C | Front | S | KTM 450 SMR 560 SMR | 07 07 | 310 | MD6340D | Rear | S | Use MD6217D | | |
| MD6314D/C OS6314C | Front | S | CRF 150 R/RB | 07-11 | 220 | MD6341D | Front Rear | S | MUV 700 Big Red | 09-11 | 200 |
| MD6316D/C | Rear | S | CRF 150 R/RB | 07-11 | 190 | MD6342D/C | Rear | S | BMW G 450 X | 08-11 | 220 |
| MD6317D | Front | S | CRF 150 F | 03-11 | 240 | MD6343C OS6343C SM6343C | Front | S | BMW G 450 X | 08-11 | 260 |
| MD6319C | Rear | S | WR 250 RX/RZ/RA WR 250 XX/XY/XZ/XA (Supernotard) | 08-11 08-11 | 230 | MD6344D | Rear | S | Ranger RZR 170 | 09-11 | 220 |
| MD6320C | Front | F | WR 250 RX/RZ/RA | 08-11 | 250 | MD6351C | Front | F | KLX 250 SF Supernotard (KLX 250 W9F/WAF) | 09-10 | 300 |
| MD6321C | Front | F | DS 450 (2x4/EFI) DS 450 X (2x4/EFI) | 08-10 08-10 | 198 | MD6352C | Rear | S | KLX 250 SF Supernotard (KLX 250 W9F/WAF) | 09-10 | 240 |
| MD6322C | Front | S | DS 450 (2x4/EFI) DS 450 X (2x4/EFI) | 08-10 08-10 | 190 | MD6353D | Front | S | Ranger RZR 170 | 09-11 | 125 |
| MD6323C | Front | F | WR 250 XX/XY/XZ/XA (Supernotard) | 08-11 | 240 | MD6355D | Front | S | LT-A 500 XPZK9 King Quad 500 AXi Power Steering Limited LT-A 500 XPC9 King Quad 500 AXi Power Steering Camo LT-A 500 XPK9/XPL1 King Quad 500 AXi Power Steering LT-A 500 XL1 King Quad 500 AXi LT-A 500 XCLi King Quad 500 AXi Camo LT-A 750 CRK9 King Quad 740 AXi Rockstar Edition LT-A 750 XPX9/XPL1 King Quad 750 AXi Power Steering LT-A 750 XPZX9 King Quad 750 AXi Power Steering Limited LT-A 750 XPC9/XPCL1 King Quad 750 AXi Power Steering Camo | 09 09 09-11 11 11 09 09-11 09 09-11 | 190 |
| MD6325D | Front | S | KRF 750 A8F/B8F (Teryx 750 4x4) KRF 750 C8F/D8F (Teryx 750 4x4 LE) KRF 750 F8F (Teryx 750 4x4 NRA Outdoors) KRF 750 G9F/NAF/NBF (Teryx 750 Fi 4x4) KRF 750 J9FA/K9F/PAF/PBF/RAF/RBF (Teryx 750 Fi 4x4 LE) KRF 750 L9F (Teryx 750 Fi 4x4 Le Sport) KRF 750 M9F (Teryx 750 Fi 4x4 NRA Outdoors) KRF 750 SAF/SAFA/SBF/SBFA (Teryx 750 Fi 4x4 Sport) KRF 750 TAF (Teryx 750 Fi 4x4 SGO) | 08 08 08 09-11 09-11 09 09 10-11 10 | 220 | MD6356D | Front | | Yamaha YZ 125 N/P/R/S/T/V/W/X/Y/Z/A WR 250 FN/FP/FR/FS/FT/FV/FW/FX/FY/FZ/FA (4T) YZ 250 N/P/R/S/T/V/W/X/Y/Z/A (2T) YZ 250 FN/FP/FR/FS/FT/FV/FW/FX/FY/FZ/FA YZ 450 FR/FS/FT/FV/FW/FX/FY/FZ/FA WR 450 FR/FS/FT/FV/FW/FX/FY/FZ/FA | 01-11 01-11 01-11 01-11 03-11 03-11 | 250 |
| MD6326C | Rear | S | KLX 250 S (KLX 250 T9F/TAF) | 09-10 | 240 | | | | | | |
| MD6327C | Rear | S | KLX 140 A8F/A9F/AAF/ABF (KLX 140) KLX 140 B8F/B9F/BAF/BBF (KLX 140 L) | 08-11 08-11 | 186 | | | | | | |
| MD6328C | Front | S | KLX 140 A8F/A9F/AAF/ABF (KLX 140) KLX 140 B8F/B9F/BAF/BBF (KLX 140 L) | 08-11 08-11 | 220 | | | | | | |
| MD6329C OS6329C SM6329C | Front | F | KLX 250 S (KLX 250 T9F/TAF) | 09-10 | 250 | | | | | | |
| MD6330D/C OS6330C SM6330C | Front | F | KLX 250 S (KLX 250 H6F/H7F) | 06-07 | 250 | | | | | | |
| MD6331D | Rear | S | TRX 700 XX | 08-11 | 200 | | | | | | |
| MD6332D | Rear | S | | | 185 | | | | | | |
| MD6333D | Rear | S | | | 165 | | | | | | |

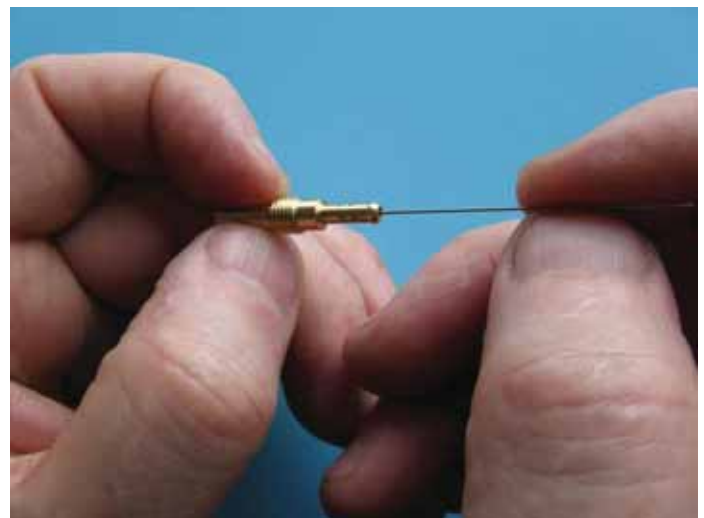
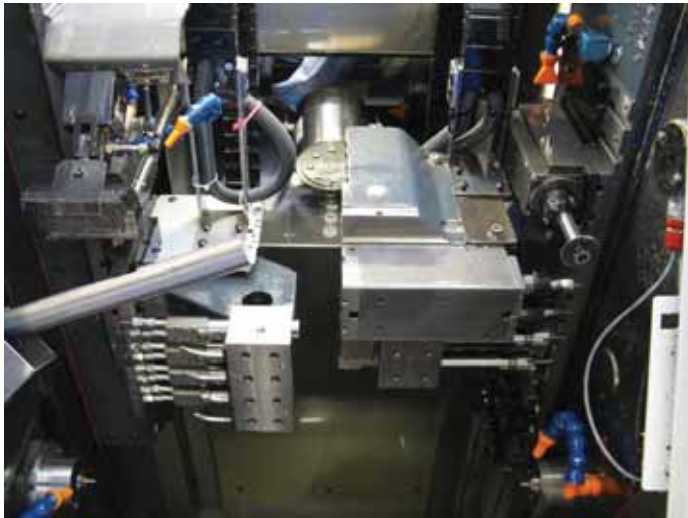
F = FLOATING ROTOR
S/F = FLOATING CONVERSION FOR FLAT SOLID ROTOR

CODES FOR TYPES
S = FLAT SOLID
D = FLOATING ROTOR CONVERSION FOR DISHED SOLID ROTOR

DISC
BUYERS GUIDE

How To Make Precision Pilot Jets

Everyone knows how sensitive an engine is to pilot jets in the acceleration stages from 1000 to 3500 rpm and getting fuel mixture right in this area is critical. For this reason jets have be perfectly accurate in their marked size and incremental size steps. This year EBC Brakes sister company ABAX Engineering in the UK has purchased the most accurate machine on the planet for this work shown below. ABAX pilot jets are precise, clearly marked and reliably gauged using pin gauges, accurate to one tenth of a thousandth of an inch, you can rely on their accuracy.



All part numbers, prefixes and suffixes shown in this catalog are unique and form a registered copyright as the property of EBC Brakes and its UK trademark owners

ABAX Pilot Jets for Mikuni Carbs Sold in Packs of 4

Jet Style - VM22/210

| Size | Part # |
|------|----------------|
| 10 | EBC22/210-10 |
| 12.5 | EBC22/210-12.5 |
| 15 | EBC22/210-15 |
| 17.5 | EBC22/210-17.5 |
| 20 | EBC22/210-20 |
| 22.5 | EBC22/210-22.5 |
| 25 | EBC22/210-25 |
| 27.5 | EBC22/210-27.5 |
| 30 | EBC22/210-30 |
| 32.5 | EBC22/210-32.5 |
| 35 | EBC22/210-35 |
| 37.5 | EBC22/210-37.5 |
| 40 | EBC22/210-40 |
| 42.5 | EBC22/210-42.5 |
| 45 | EBC22/210-45 |
| 47.5 | EBC22/210-47.5 |
| 50 | EBC22/210-50 |
| 52.5 | EBC22/210-52.5 |
| 55 | EBC22/210-55 |
| 57.5 | EBC22/210-57.5 |
| 60 | EBC22/210-60 |
| 65 | EBC22/210-65 |
| 70 | EBC22/210-70 |
| 75 | EBC22/210-75 |
| 80 | EBC22/210-80 |
| 85 | EBC22/210-85 |
| 90 | EBC22/210-90 |
| 95 | EBC22/210-95 |
| 100 | EBC22/210-100 |
| 105 | EBC22/210-105 |
| 110 | EBC22/210-110 |
| 120 | EBC22/210-120 |
| 130 | EBC22/210-130 |
| 140 | EBC22/210-140 |



Jet Style - N224.103

| Size | Part # |
|------|-------------|
| 10 | EBC224-10 |
| 12.5 | EBC224-12.5 |
| 15 | EBC224-15 |
| 17.5 | EBC224-17.5 |
| 20 | EBC224-20 |
| 22.5 | EBC224-22.5 |
| 25 | EBC224-25 |
| 27.5 | EBC224-27.5 |
| 30 | EBC224-30 |
| 32.5 | EBC224-32.5 |
| 35 | EBC224-35 |
| 37.5 | EBC224-37.5 |
| 40 | EBC224-40 |
| 42.5 | EBC224-42.5 |
| 45 | EBC224-45 |
| 47.5 | EBC224-47.5 |
| 50 | EBC224-50 |
| 52.5 | EBC224-52.5 |
| 55 | EBC224-55 |
| 57.5 | EBC224-57.5 |
| 60 | EBC224-60 |
| 62.5 | EBC224-62.5 |
| 65 | EBC224-65 |
| 67.5 | EBC224-67.5 |
| 70 | EBC224-70 |



Jet Style - N151.067

| Size | Part # |
|------|-------------|
| 30 | EBC151-30 |
| 32.5 | EBC151-32.5 |
| 35 | EBC151-35 |
| 37.5 | EBC151-37.5 |
| 40 | EBC151-40 |
| 42.5 | EBC151-42.5 |
| 45 | EBC151-45 |
| 47.5 | EBC151-47.5 |
| 50 | EBC151-50 |
| 52.5 | EBC151-52.5 |
| 55 | EBC151-55 |
| 57.5 | EBC151-57.5 |
| 60 | EBC151-60 |



Jet Style - BS30/96

| Size | Part # |
|------|---------------|
| 30 | EBC30/96-30 |
| 32.5 | EBC30/96-32.5 |
| 35 | EBC30/96-35 |
| 37.5 | EBC30/96-37.5 |
| 40 | EBC30/96-40 |
| 42.5 | EBC30/96-42.5 |
| 45 | EBC30/96-45 |
| 47.5 | EBC30/96-47.5 |
| 50 | EBC30/96-50 |
| 52.5 | EBC30/96-52.5 |
| 55 | EBC30/96-55 |
| 57.5 | EBC30/96-57.5 |
| 60 | EBC30/96-60 |



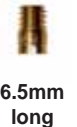
Jet Style - M28/1001

| Size | Part # |
|------|--------------|
| 15 | EBC1001-15 |
| 17.5 | EBC1001-17.5 |
| 20 | EBC1001-20 |
| 22.5 | EBC1001-22.5 |
| 25 | EBC1001-25 |
| 27.5 | EBC1001-27.5 |
| 30 | EBC1001-30 |
| 32.5 | EBC1001-32.5 |
| 35 | EBC1001-35 |
| 37.5 | EBC1001-37.5 |
| 40 | EBC1001-40 |
| 42.5 | EBC1001-42.5 |
| 45 | EBC1001-45 |
| 47.5 | EBC1001-47.5 |
| 50 | EBC1001-50 |
| 52.5 | EBC1001-52.5 |
| 55 | EBC1001-55 |
| 57.5 | EBC1001-57.5 |
| 60 | EBC1001-60 |
| 62.5 | EBC1001-62.5 |
| 6 | EBC1001-65 |
| 67.5 | EBC1001-67.5 |
| 70 | EBC1001-70 |



Jet Style - N100.606

| Size | Part # |
|-------|--------------|
| 30 | EBC100-30 |
| 32.5 | EBC100-32.5 |
| 35 | EBC100-35 |
| 37.5 | EBC100-37.5 |
| 40 | EBC100-40 |
| 42.5 | EBC100-42.5 |
| 45 | EBC100-45 |
| 47.5 | EBC100-47.5 |
| 50 | EBC100-50 |
| 52.5 | EBC100-52.5 |
| 55 | EBC100-55 |
| 57.5 | EBC100-57.5 |
| 60 | EBC100-60 |
| 62.5 | EBC100-62.5 |
| 65 | EBC100-65 |
| 67.5 | EBC100-67.5 |
| 70 | EBC100-70 |
| 72.5 | EBC100-72.5 |
| 75 | EBC100-75 |
| 77.5 | EBC100-77.5 |
| 80 | EBC100-80 |
| 82.5 | EBC100-82.5 |
| 85 | EBC100-85 |
| 87.5 | EBC100-87.5 |
| 90 | EBC100-90 |
| 92.5 | EBC100-92.5 |
| 95 | EBC100-95 |
| 97.5 | EBC100-97.5 |
| 100 | EBC100-100 |
| 102.5 | EBC100-102.5 |
| 105 | EBC100-105 |
| 107.5 | EBC100-107.5 |
| 110 | EBC100-110 |
| 112.5 | EBC100-112.5 |
| 115 | EBC100-115 |
| 117.5 | EBC100-117.5 |
| 120 | EBC100-120 |
| 122.5 | EBC100-122.5 |
| 125 | EBC100-125 |
| 127.5 | EBC100-127.5 |
| 130 | EBC100-130 |
| 132.5 | EBC100-132.5 |
| 135 | EBC100-135 |
| 137.5 | EBC100-137.5 |
| 140 | EBC100-140 |
| 142.5 | EBC100-142.5 |
| 145 | EBC100-145 |
| 147.5 | EBC100-147.5 |
| 150 | EBC100-150 |
| 152.5 | EBC100-152.5 |
| 155 | EBC100-155 |
| 157.5 | EBC100-157.5 |
| 160 | EBC100-160 |



Jet Style - N101.043

| Size | Part # |
|------|-------------|
| 30 | EBC101-30 |
| 32.5 | EBC101-32.5 |
| 35 | EBC101-35 |
| 37.5 | EBC101-37.5 |
| 40 | EBC101-40 |
| 42.5 | EBC101-42.5 |
| 45 | EBC101-45 |
| 47.5 | EBC101-47.5 |
| 50 | EBC101-50 |
| 52.5 | EBC101-52.5 |
| 55 | EBC101-55 |
| 57.5 | EBC101-57.5 |
| 60 | EBC101-60 |
| 62.5 | EBC101-62.5 |
| 65 | EBC101-65 |
| 67.5 | EBC101-67.5 |
| 70 | EBC101-70 |
| 72.5 | EBC101-72.5 |
| 75 | EBC101-75 |
| 77.5 | EBC101-77.5 |
| 80 | EBC101-80 |
| 82.5 | EBC101-82.5 |
| 85 | EBC101-85 |
| 87.5 | EBC101-87.5 |
| 90 | EBC101-90 |
| 92.5 | EBC101-92.5 |
| 95 | EBC101-95 |
| 97.5 | EBC101-97.5 |
| 100 | EBC101-100 |
| 105 | EBC101-105 |
| 110 | EBC101-110 |
| 120 | EBC101-120 |
| 130 | EBC101-130 |
| 140 | EBC101-140 |
| 150 | EBC101-150 |
| 160 | EBC101-160 |



Jet Style - VM28/486

| Size | Part # |
|------|----------------|
| 10 | EBC28/486-10 |
| 12.5 | EBC28/486-12.5 |
| 15 | EBC28/486-15 |
| 17.5 | EBC28/486-17.5 |
| 20 | EBC28/486-20 |
| 22.5 | EBC28/486-22.5 |
| 25 | EBC28/486-25 |
| 27.5 | EBC28/486-27.5 |
| 30 | EBC28/486-30 |
| 32.5 | EBC28/486-32.5 |
| 35 | EBC28/486-35 |
| 37.5 | EBC28/486-37.5 |
| 40 | EBC28/486-40 |
| 42.5 | EBC28/486-42.5 |
| 45 | EBC28/486-45 |
| 47.5 | EBC28/486-47.5 |
| 50 | EBC28/486-50 |
| 52.5 | EBC28/486-52.5 |
| 55 | EBC28/486-55 |
| 57.5 | EBC28/486-57.5 |
| 60 | EBC28/486-60 |
| 62.5 | EBC28/486-62.5 |
| 65 | EBC28/486-65 |
| 67.5 | EBC28/486-67.5 |
| 70 | EBC28/486-70 |



All part numbers, prefixes and suffixes shown in this catalog are unique and form a registered copyright as the property of EBC Brakes and its UK trademark owners

ABAX Pilot Jets for Keihin Carbs Sold in Packs of 4

Jet Style - N424-21

| Size | Part # |
|------|--------------|
| 35 | EBC424-21-35 |
| 38 | EBC424-21-38 |
| 40 | EBC424-21-40 |
| 42 | EBC424-21-42 |
| 45 | EBC424-21-45 |
| 48 | EBC424-21-48 |
| 50 | EBC424-21-50 |
| 52 | EBC424-21-52 |
| 55 | EBC424-21-55 |
| 58 | EBC424-21-58 |
| 60 | EBC424-21-60 |
| 62 | EBC424-21-62 |
| 65 | EBC424-21-65 |
| 68 | EBC424-21-68 |
| 70 | EBC424-21-70 |
| 72 | EBC424-21-72 |
| 75 | EBC424-21-75 |
| 78 | EBC424-21-78 |
| 80 | EBC424-21-80 |

18.7mm long

Jet Style - N424-25B

| Size | Part # |
|------|--------------|
| 35 | EBC424-25-35 |
| 38 | EBC424-25-38 |
| 40 | EBC424-25-40 |
| 42 | EBC424-25-42 |
| 45 | EBC424-25-45 |
| 48 | EBC424-25-48 |
| 50 | EBC424-25-50 |
| 52 | EBC424-25-52 |
| 55 | EBC424-25-55 |
| 58 | EBC424-25-58 |
| 60 | EBC424-25-60 |
| 62 | EBC424-25-62 |
| 65 | EBC424-25-65 |

15mm long

Dealer Pilot Jet Selection Kits (Kits include one pilot jet per size)



| Kit No. | Carb Model | Jet Style | Qty Jets in Kit | Sizes |
|---------|------------|-----------|-----------------|--------|
| KPJK-01 | Keihin | 424-21 | 19 | 35-80 |
| KPJK-02 | Keihin | 424-25B | 13 | 35-65 |
| MPJK-01 | Mikuni | VM22/210 | 34 | 10-140 |
| MPJK-02 | Mikuni | N224.103 | 25 | 10-70 |
| MPJK-03 | Mikuni | N151.067 | 13 | 30-60 |
| MPJK-04 | Mikuni | BS30/96 | 13 | 30-60 |
| MPJK-05 | Mikuni | 28.486 | 25 | 10-70 |

Precision machined in the UK ABAX Dealer selection kits include all the popular sizes for the better selling pilot jets and refills can be purchased from your distributor in packets of four.



All part numbers, prefixes and suffixes shown in this catalog are unique and form a registered copyright as the property of EBC Brakes and its UK trademark owners

A-BAX Precision MAINJETS Made in UK

These high precision BRASS carburettor jets are available in dealer selection kits or in top-up packs of 5 jets or 4 jets. All jets are flow calibrated and extremely accurate in terms of fuel flow rate as stamped.



DEALER SELECTION KITS.

| KIT TYPE | PART# | CONTENTS | |
|-------------|---------|-----------------------------------|----------|
| Mikuni Slot | SJK 36 | 4pcs each jet sizes 72.5 thru 160 | 160 Jets |
| Mikuni Hex | HJK 27A | 2pcs each jet sizes 70 thru 230 | 54 Jets |
| Mikuni Hex | HJK 27B | 2pcs each jet sizes 240 thru 500 | 54 Jets |
| Keihin Slot | KJK 30 | 4pcs each jet sizes 80 thru 190 | 192 Jets |
| Keihin Hex | CRK 32A | 2pcs each jet sizes 80 thru 158 | 64 Jets |
| Keihin Hex | CRK 32B | 2pcs each jet sizes 160 thru 235 | 64 Jets |

| | | | | |
|---|--|--|--|---|
| <p>ABAX Slot Jets for Mikuni</p> <p>(N 100/604) SJ Prefix</p> | <p>ABAX Hex Jets for Mikuni</p> <p>(4/042) HJ Prefix</p> | <p>ABAX Slot Jets for Keihin</p> <p>(N102 221) KJ Prefix</p> | <p>ABAX Hex Jets for Keihin</p> <p>(357) CR Prefix</p> | <p>ABAX Slot Jets for Dell'Orto</p> <p>(6413) DO Prefix</p> |
|---|--|--|--|---|

| SIZES AVAILABLE | SIZES AVAILABLE | SIZES AVAILABLE | SIZES AVAILABLE | SIZES AVAILABLE | SIZES AVAILABLE |
|-----------------|-----------------|-----------------|-----------------|-----------------|-----------------|
| SJ72.5 | HJ70 | HJ370 | KJ72.5 | CR80 | CR180 |
| SJ75 | HJ80 | HJ380 | KJ75 | CR82 | CR182 |
| SJ77.5 | HJ90 | HJ390 | KJ77.5 | CR85 | CR185 |
| SJ80 | HJ100 | HJ400 | KJ80 | CR88 | CR188 |
| SJ82.5 | HJ105 | HJ410 | KJ82.5 | CR90 | CR190 |
| SJ85 | HJ110 | HJ420 | KJ85 | CR92 | CR192 |
| SJ87.5 | HJ115 | HJ430 | KJ87.5 | CR95 | CR195 |
| SJ90 | HJ120 | HJ440 | KJ90 | CR98 | CR198 |
| SJ92.5 | HJ125 | HJ450 | KJ92.5 | CR100 | CR200 |
| SJ95 | HJ130 | HJ460 | KJ95 | CR102 | CR202 |
| SJ97.5 | HJ135 | HJ470 | KJ97.5 | CR105 | CR205 |
| SJ100 | HJ140 | HJ480 | KJ100 | CR108 | CR208 |
| SJ102.5 | HJ145 | HJ490 | KJ102.5 | CR110 | CR210 |
| SJ105 | HJ150 | HJ500 | KJ105 | CR112 | CR212 |
| SJ107.5 | HJ155 | HJ510 | KJ107.5 | CR115 | CR215 |
| SJ110 | HJ160 | HJ520 | KJ110 | CR118 | CR218 |
| SJ112.5 | HJ165 | HJ530 | KJ112.5 | CR120 | CR220 |
| SJ115 | HJ170 | HJ540 | KJ115 | CR122 | CR222 |
| SJ117.5 | HJ175 | HJ550 | KJ117.5 | CR125 | CR225 |
| SJ120 | HJ180 | HJ560 | KJ120 | CR128 | CR228 |
| SJ122.5 | HJ185 | HJ570 | KJ122.5 | CR130 | CR230 |
| SJ125 | HJ190 | HJ580 | KJ125 | CR132 | CR232 |
| SJ127.5 | HJ195 | HJ590 | KJ127.5 | CR135 | CR235 |
| SJ130 | HJ200 | HJ600 | KJ130 | CR138 | CR238 |
| SJ132.5 | HJ210 | HJ610 | KJ132.5 | CR140 | |
| SJ135 | HJ220 | HJ620 | KJ135 | CR142 | |
| SJ137.5 | HJ230 | HJ630 | KJ137.5 | CR145 | |
| SJ140 | HJ240 | HJ640 | KJ140 | CR148 | |
| SJ142.5 | HJ250 | HJ650 | KJ142.5 | CR150 | |
| SJ145 | HJ260 | HJ660 | KJ145 | CR152 | |
| SJ147.5 | HJ270 | HJ670 | KJ147.5 | CR155 | |
| SJ150 | HJ280 | HJ680 | KJ150 | CR158 | |
| SJ152.5 | HJ290 | | KJ152.5 | CR160 | |
| SJ155 | HJ300 | | KJ160 | CR162 | |
| SJ157.5 | HJ310 | | KJ170 | CR165 | |
| SJ160 | HJ320 | | KJ190 | CR168 | |
| SJ170 | HJ330 | | | CR170 | |
| | HJ340 | | | CR172 | |
| | HJ350 | | | CR175 | |
| | HJ360 | | | CR178 | |

NOTE: The names Mikuni & Keihin are for description purposes only. These are NOT original Mikuni or Keihin jets, simply a high quality replacement.

All part numbers, prefixes and suffixes shown in this catalog are unique and form a registered copyright as the property of EBC Brakes and its UK trademark owners



DEALER SELECTION KIT
PART NO - HDJK-12

New for 2011 HDJK12

ABAX precision brass main jets for Keihin CV carburettors, used on most big twins. Sold in packets of 2 pieces and in dealer assortment kits of 12 sizes (2 pieces each size).

| Size | Part # |
|------|------------|
| 165 | 424-27-165 |
| 170 | 424-27-170 |
| 175 | 424-27-175 |
| 180 | 424-27-180 |
| 185 | 424-27-185 |
| 190 | 424-27-190 |
| 195 | 424-27-195 |
| 200 | 424-27-200 |
| 205 | 424-27-205 |



ACCESSORIES

EBC BRAKE FLUID

DOT 4 - A refined specification polyglycol fluid as fitted to most faster street bikes now produced.

DOT 5 - Silicone fluid as used in Harley Davidson Motorcycles and many special High Performance Brake systems.

COMBO - Contains 2 each of DOT 4, and BF307+

BF307 - Highly refined Dot 3 Brake fluid, ideal for Racing or High performance Road bikes. Can be used in all systems specifying Dot 3 or Dot 4 but **NOT** with (Dot 5) silicone fluids.



EBC Brake Fluid is available in DOT 4 or DOT 5 (Silicone) Grades or BF 307 Race Grade.

| TO ORDER USE THESE NUMBERS | |
|-----------------------------------|---------|
| DOT 4 (Six Pack) | DOT - 4 |
| DOT 5 (Six Pack) (Silicone) | DOT - 5 |
| BF 307 (Six Pack)..... | BF 307 |