



First Choice Group

SPARE PARTS DIAGRAM FOR



Combination Oven
SCC-WE Line
SCC62E Index I



First Choice Group
Blakeney Way, Kingswood Lakeside
Cannock, Staffs, WS11 8LD
TEL: 01543 577778 FAX: 01543504141
Email: enquires@firstchoice-cs.co.uk
Web: www.firstchoice-cs.co.uk

Service part catalogue

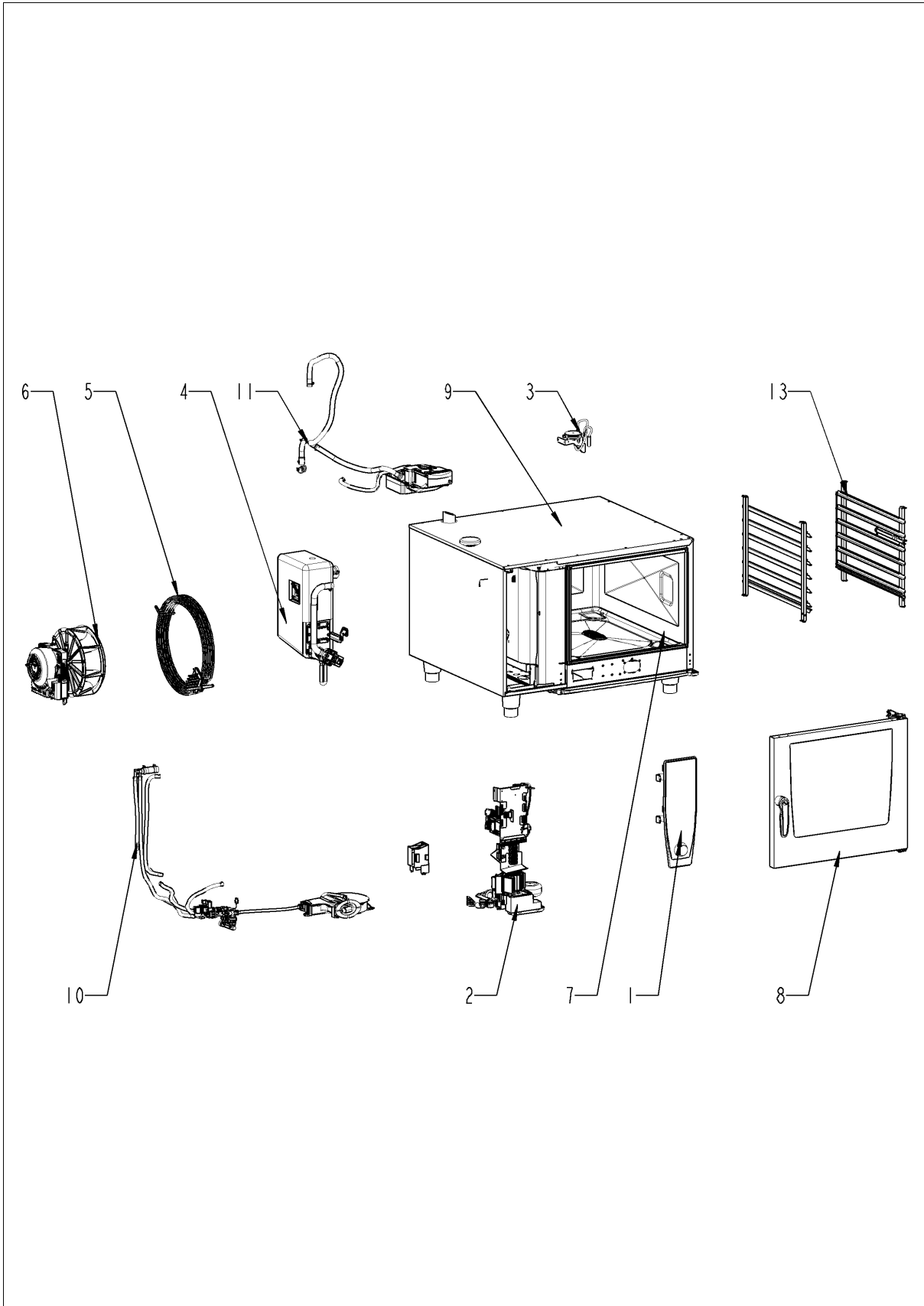
SelfCookingCenter® ab 09/2016

SelfCooking Center 62 - 6 x 2/1 GastronormE

E62SI1701



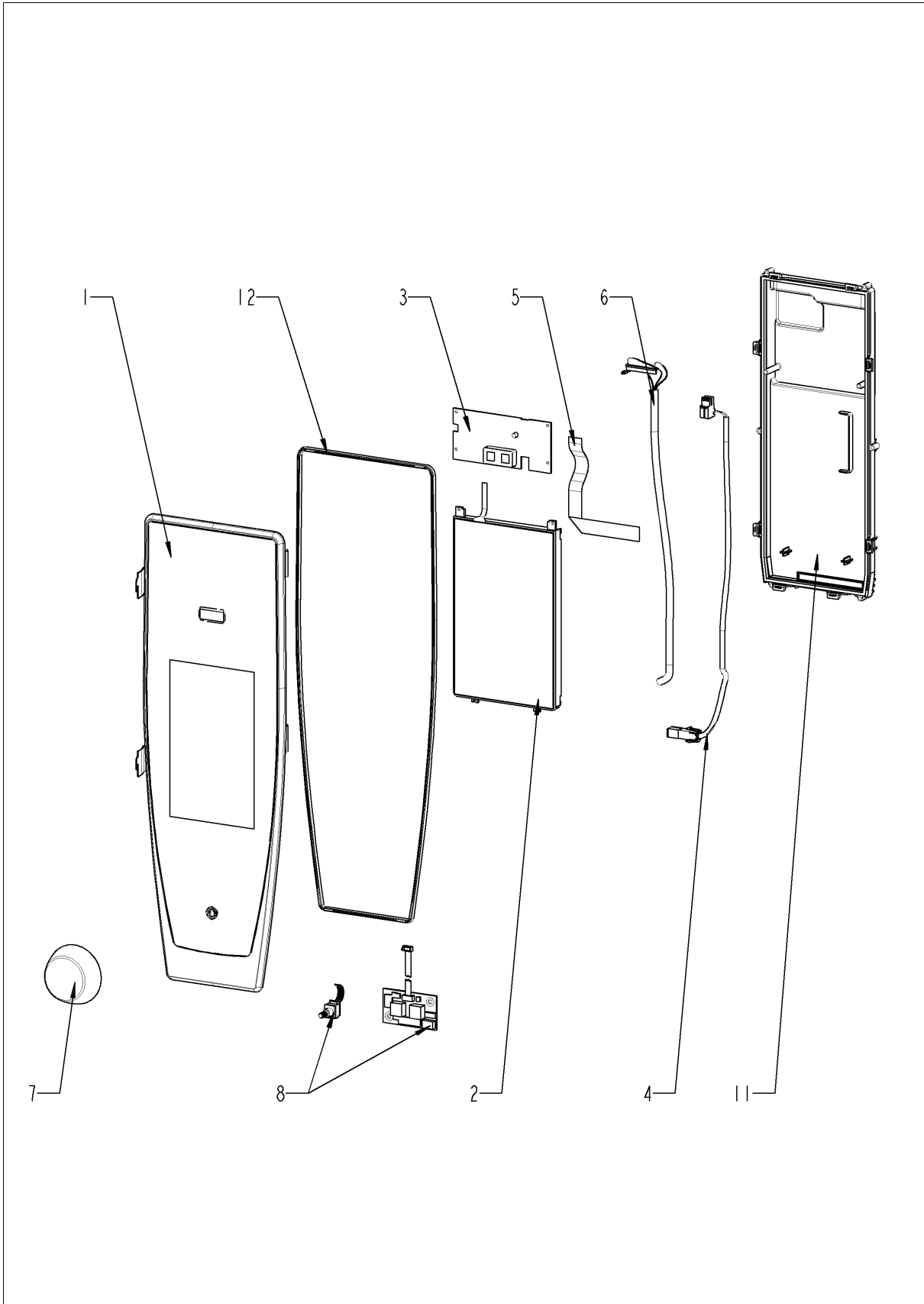
SelfCookingCenter® as of 09/2016



SelfCookingCenter® as of 09/2016

Pos.	Part No.	Description	Qty.
1		Control panel	1
2		Electrical installation	1
3		ClimaPlus	1
4		Steam generator	1
5		Hot air heating	1
6		Motor and fan wheel	1
7		Interior cabinet	1
8		Door	1
9		Exterior cabinet	1
10		Water	1
11		CleanJet + Care	1
13		Standard accessory	1

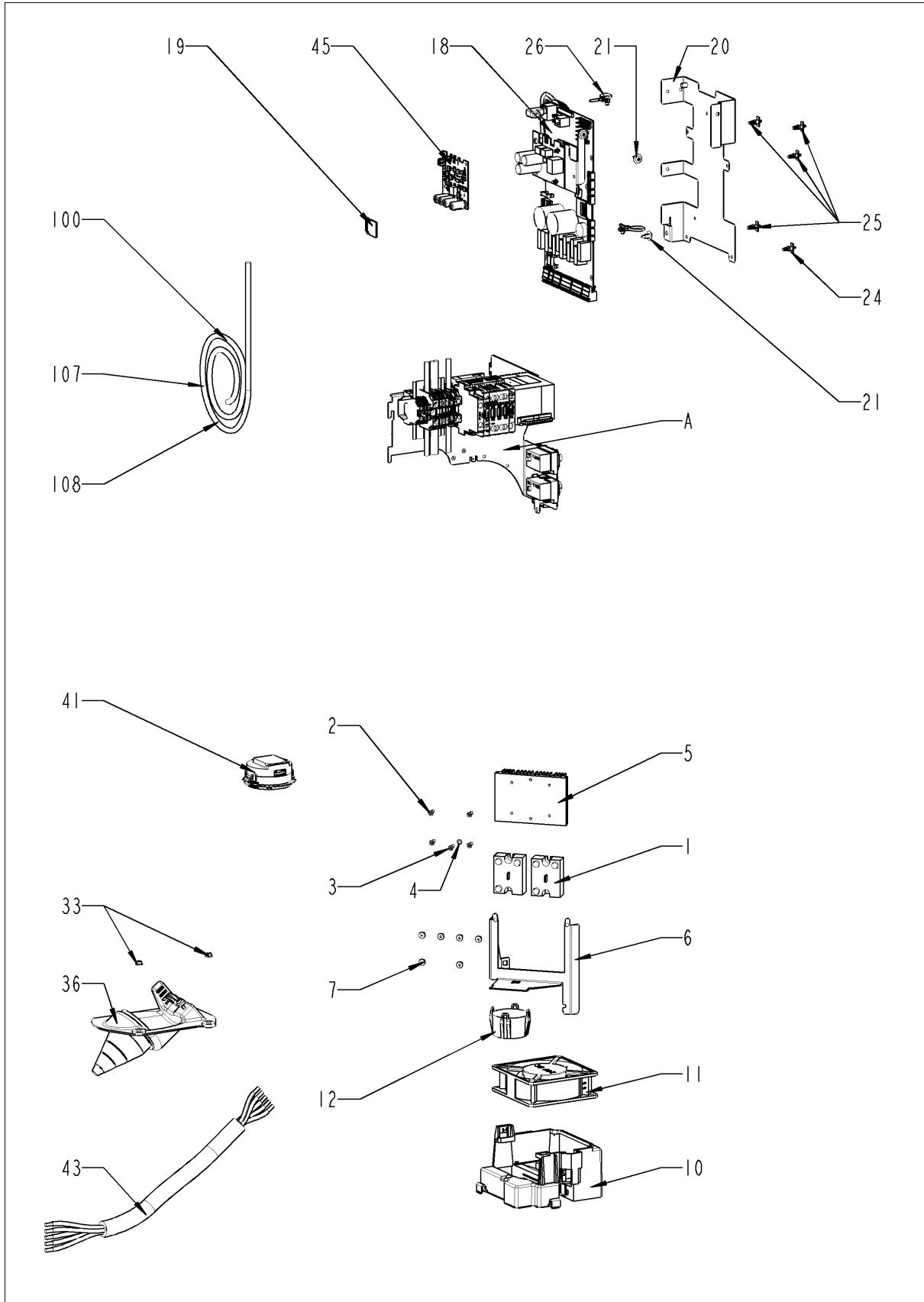
Control panel



Control panel

Pos.	Part No.	Description	Qty.
1	87.01.301	Control panel insert with overlay *RAT*	1
2	42.00.112	Control pcb *TFT*	1
3	42.00.081	MMI pcb	1
4	40.03.467	Cable On-Off switch MMI	1
5	40.03.515	Cable MMI - TFT	1
6	40.03.516	Cable MMI - CPU	1
7	16.02.062	Dial f. pulse generator	1
8	40.00.404	Pulse generator	1
11	16.02.889	Cover f. control pcb w. gasket	1
12	16.02.865	Sealing f. panel insert	1

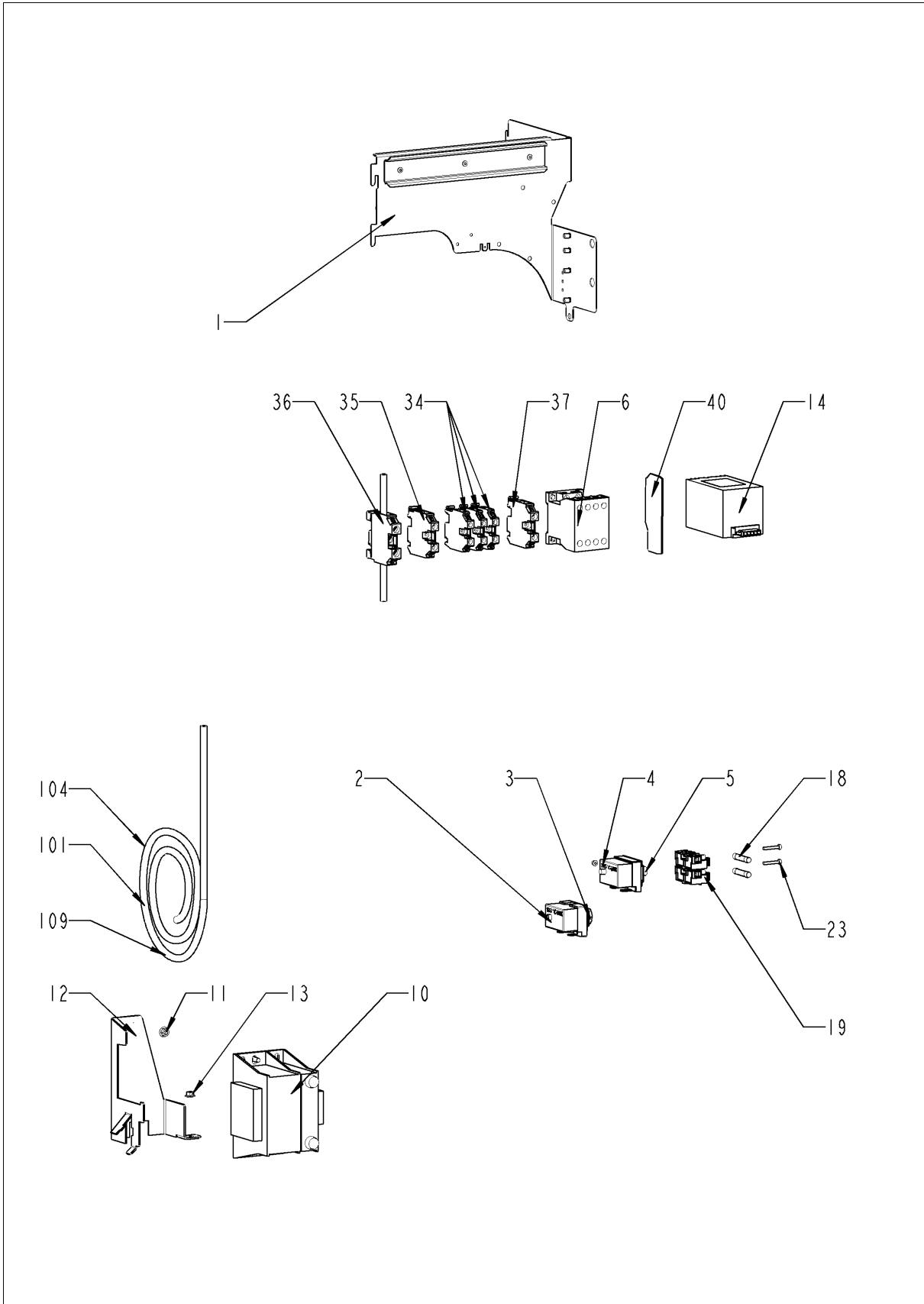
Electrical installation



Electrical installation

Pos.	Part No.	Description	Qty.
1	40.00.453	Solid state relais	2
2	10.00.061	Pan head screw Torx T20 M4x12	4
3	10.00.061	Pan head screw Torx T20 M4x12	1
4	1204.0120	Tooth lock washer A4,3	1
5	40.03.932	Heat sink big 2 SSR	1
6	40.03.372	Mounting device heat sink SSR	1
7	10.01.266	Pan head screw Torx T20 10,5mm	6
8	1105.0120	Hex nut M5	1
9	1205.0120	Tooth lock washer A5,3	1
10	40.03.661	Fan housing	1
11	40.03.428	Cooling fan with NTC	1
12	40.03.257	Converter 230VAC 24VDC	1
18	42.00.261	Control pcb	1
19	42.00.128	SD-memory card 4GB	1
20	40.03.359	Mounting base for control pcb	1
21	10.00.989	Rivet with screw	2
23	10.00.061	Pan head screw Torx T20 M4x12	1
24	40.03.756	Fixing clip f. pcb	1
25	40.03.533	Fixing clip f. pcb	4
26	40.03.732	Tie rap 160 mm	3
35	1105.0121	Hex combination nut M5 galv	2
36	40.00.306	Cable entry	1
41	40.03.928	Loudspeaker cpl.	1
43	8801.0136	Power supply cable 5x4mm ² 3m	1
45	42.00.224	Power supply for level interior light	1
100	40.03.998	Bus cable 1.15m	1
107	40.04.362	Wiring interior light	1
108	40.05.297	Cable, interior light W11	1
A		Electrical installation	1

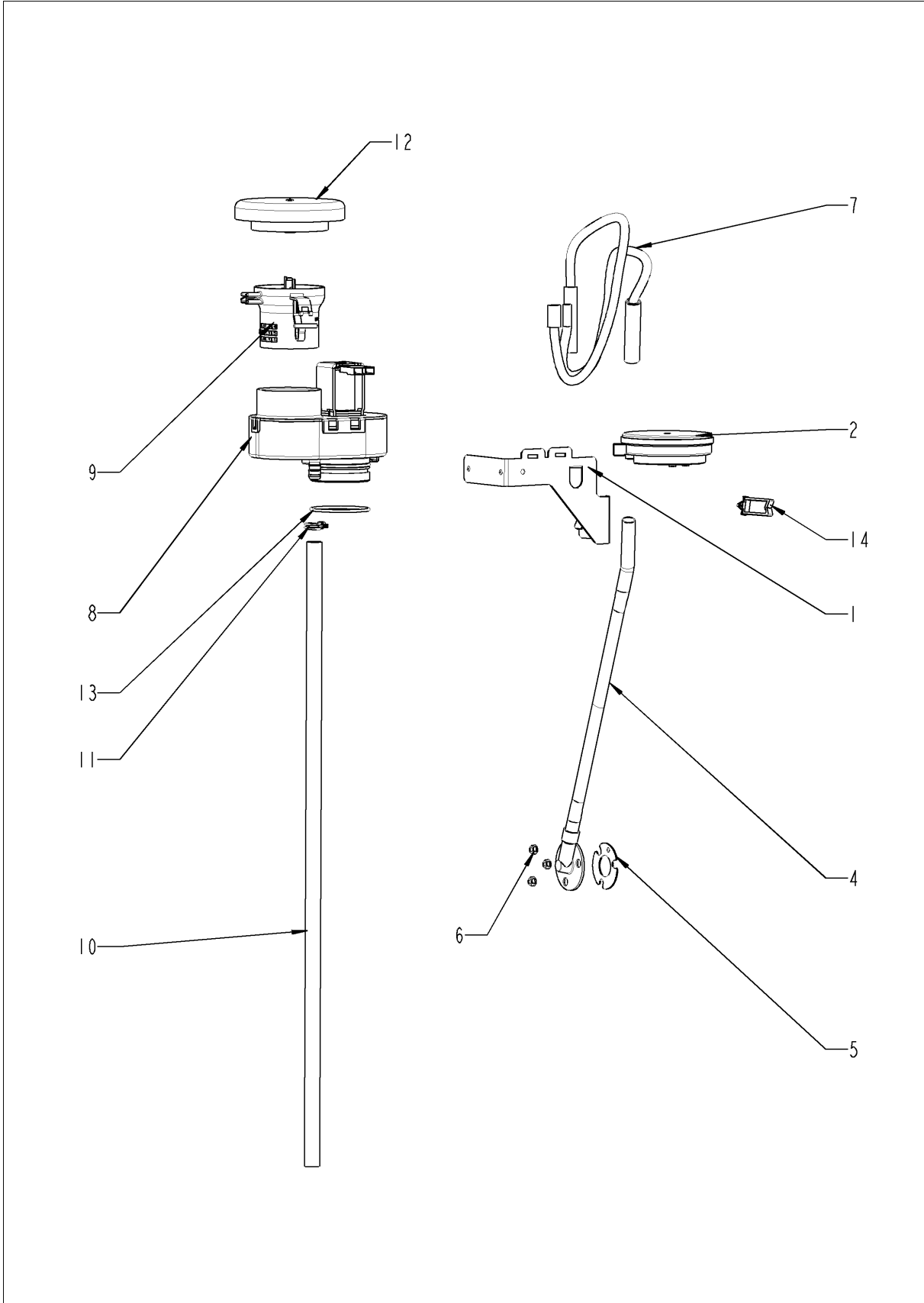
Electrical installation



Electrical installation

Pos.	Part No.	Description	Qty.
1	40.03.360	Contacteur assembly	1
2	40.01.329	Dry up protector 183°C	1
3	3014.0327	Hex nut M10x1,0	1
4	40.01.482	Safety temperature limiter 365°C	1
5	3014.0327	Hex nut M10x1,0	1
6	40.03.668	Contacteur B&J K3-24B00 190 R	1
7	40.02.641	Auxilliary contact B&J HN10 N/O	1
10	40.03.348	Control transformer T1	1
11	10.01.065	Hex nut M5	1
12	40.03.404	Mounting support transformer	1
13	10.01.065	Hex nut M5	1
14	40.02.424	Electronic noise filter	1
18	4001.0224	Fuse 6.35x32mm	2
19	40.02.512	Fuse holder 2x6.3A	1
23	10.00.365	Pan head screw Torx M3x20	2
34	40.04.639	Terminal block grey WKFN 6/35	3
35	40.05.026	Terminal block blue WKFN16/35	1
36	40.05.274	Earth terminal WKFN 16 SL/35	1
37	40.04.645	Terminal block grey WKFN 16 D1/2/35	1
40	40.05.281	End cover APFN 16 D1/2/35	1
101	40.04.331	Adaptor cable f. Ball valve drain	1
104	40.04.956	Cable control harness	1
104	40.04.956	Cable control harness	1
109	40.02.965	Cable harness solenoid valve / SC-pump	1

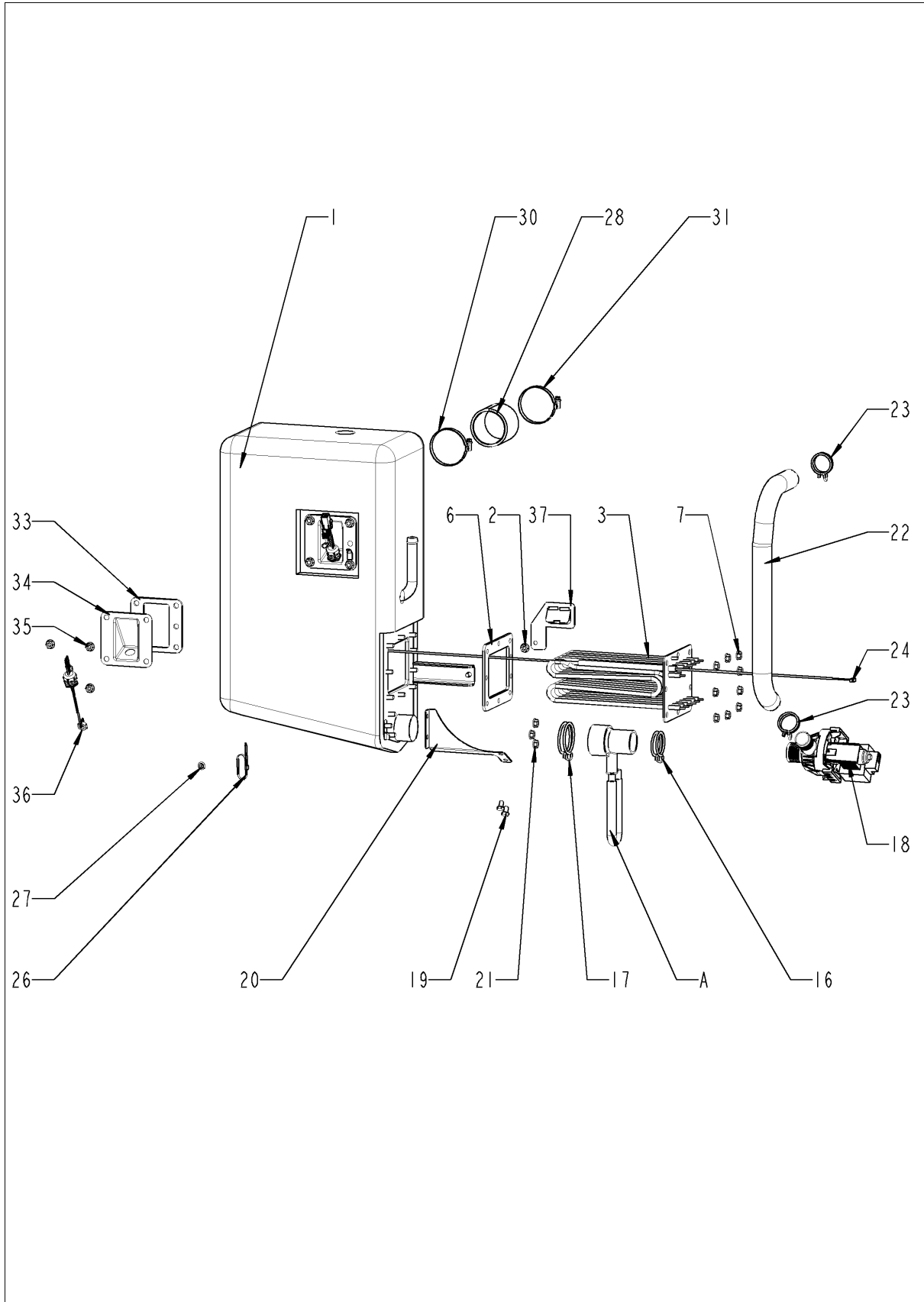
ClimaPlus



ClimaPlus

Pos.	Part No.	Description	Qty.
1	22.00.882	Mounting device f. pressure sensor	1
2	3017.1011	Pressure sensor for humidity control Huba 401	1
4	22.00.850	Outer humidity meas. Piece	1
5	22.00.881	Gasket f. hum. meas. Pipe	1
6	1104.0122	Hex combination nut M4 galv	3
7	22.00.525	Hose set f. humidity control	1
8	22.00.725	Humidity control cpl.	1
9	22.00.914	Air inlet pipe	1
10	22.00.959	Drain hose for humidity control	1
11	2066.0527	Hose clamp ø14mm	2
12	22.00.767	Vent cover	1
13	22.00.837	O-ring for humidity control	2
14	10.00.111	Cable clip long	2

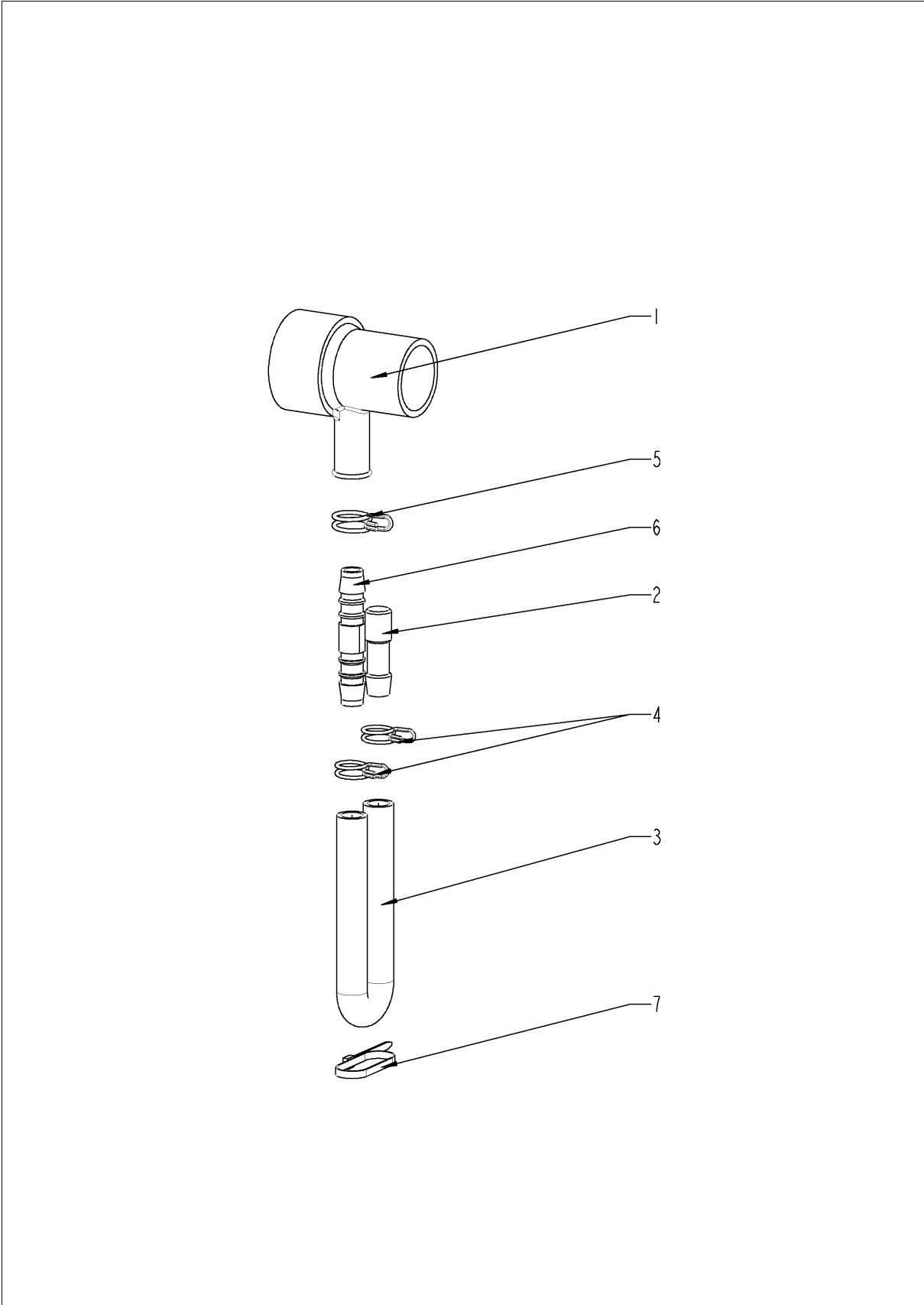
Steam generator



Steam generator

Pos.	Part No.	Description	Qty.
1	44.00.939	Steam generator insolated	1
2	10.00.709	Hex nut M6 w. locking	1
3	44.01.334	Heating element	1
6	44.00.279	Gasket f. heating element	1
7	10.00.709	Hex nut M6 w. locking	9
16	2066.0519	Hose clamp Ø35,6mm	1
17	2066.0526	Hose clamp ø46mm	1
18	44.00.207	Emptying pump	1
19	1006.0762	Hex screw M6x10	2
20	44.01.201	Fixing device f. pump steam generator	1
21	10.00.709	Hex nut M6 w. locking	2
22	44.01.220	Drain hose steam generator	1
23	2066.0518	Hose clamp 30mm	2
24	40.04.106	Thermocouple steam generator *B5*	1
26	10.00.414	Cable strap black 120°	1
27	1104.0122	Hex combination nut M4 galv	1
28	2112.1006	Steam hose Ø50x50mm	1
30	2066.0504	Hose clamp 40-60mm	1
31	2066.0504	Hose clamp 40-60mm	1
33	44.00.280	Gasket f. heating element+Level elektrode insert	1
34	2920.1300	Level elektrode insert	1
35	10.00.709	Hex nut M6 w. locking	4
36	44.01.417	Filling level electrode 90 mm	1
37	44.01.168	Fixing angle steam generator	1
A	8354.1320	Pump connection spout cpl.	1

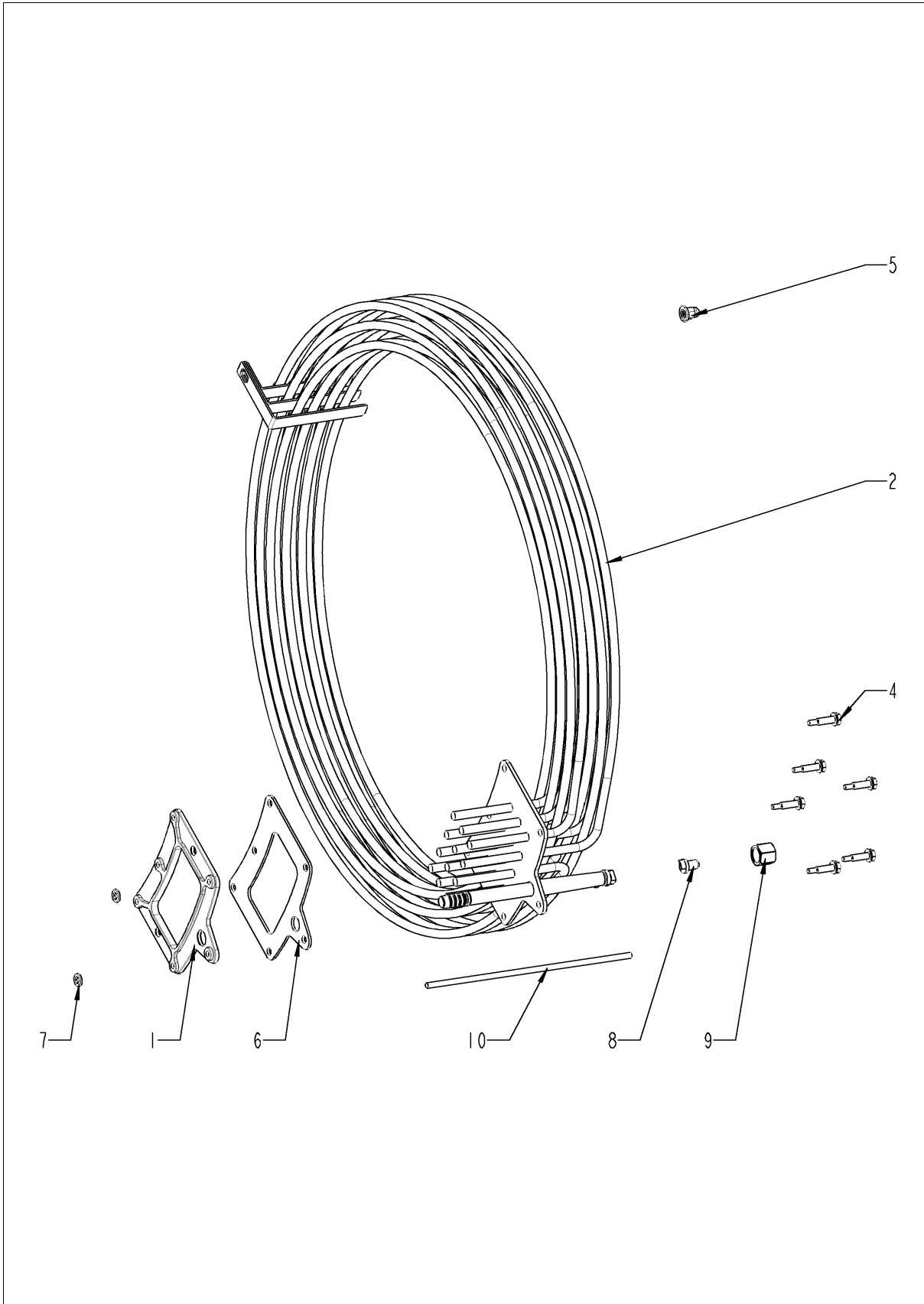
Pump connection spout



Pump connection spout

Pos.	Part No.	Description	Qty.
1	2118.1000	Pump connection spout	1
2	2120.1259	Stop plug 10mm	1
3	2110.1008	Silicon hose ø10x2mm	1
4	2066.0527	Hose clamp ø14mm	2
5	2066.0530	Hose clamp ø16.4mm	1
6	2062.0331	Junction pressure hose GS 10	1
7	4005.0101	Tie rap 145 mm	1

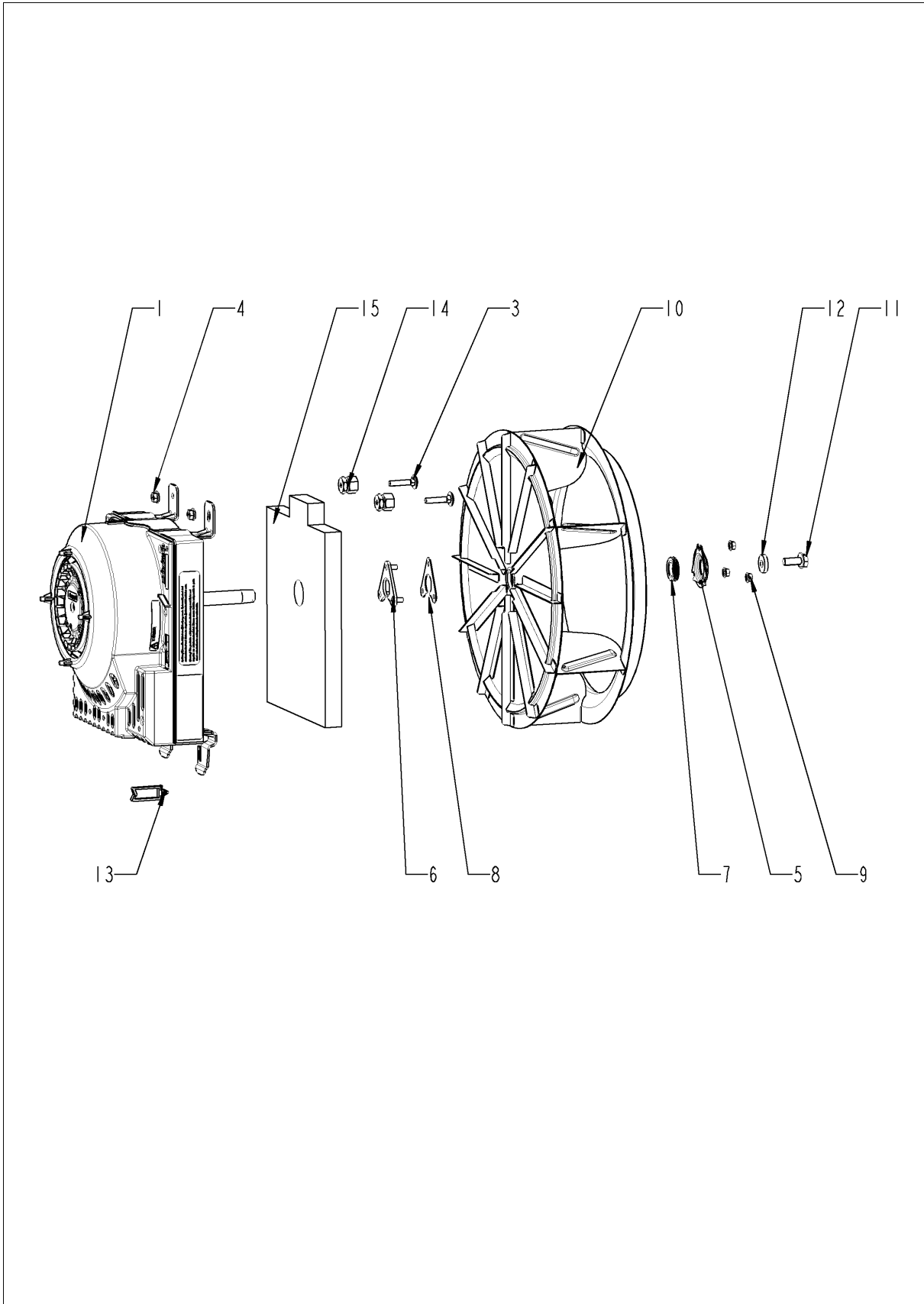
Hot air heating



Hot air heating

Pos.	Part No.	Description	Qty.
1	40.03.410	Mating flange f. heating assembly	1
2	40.03.296	Heating assembly	1
4	10.00.109	Hex screw M5x23	6
5	10.01.076	Cap nut M5*A2	1
6	40.03.415	Gasket f. heating assembly	1
7	1107.0103	Star lock ø3	2
8	50.00.844	Nozzle f. moistening	1
9	50.00.846	Union nut M12x13.2 N	1
10	50.01.721	Plastic pipe 4,5x0,75x178mm	1

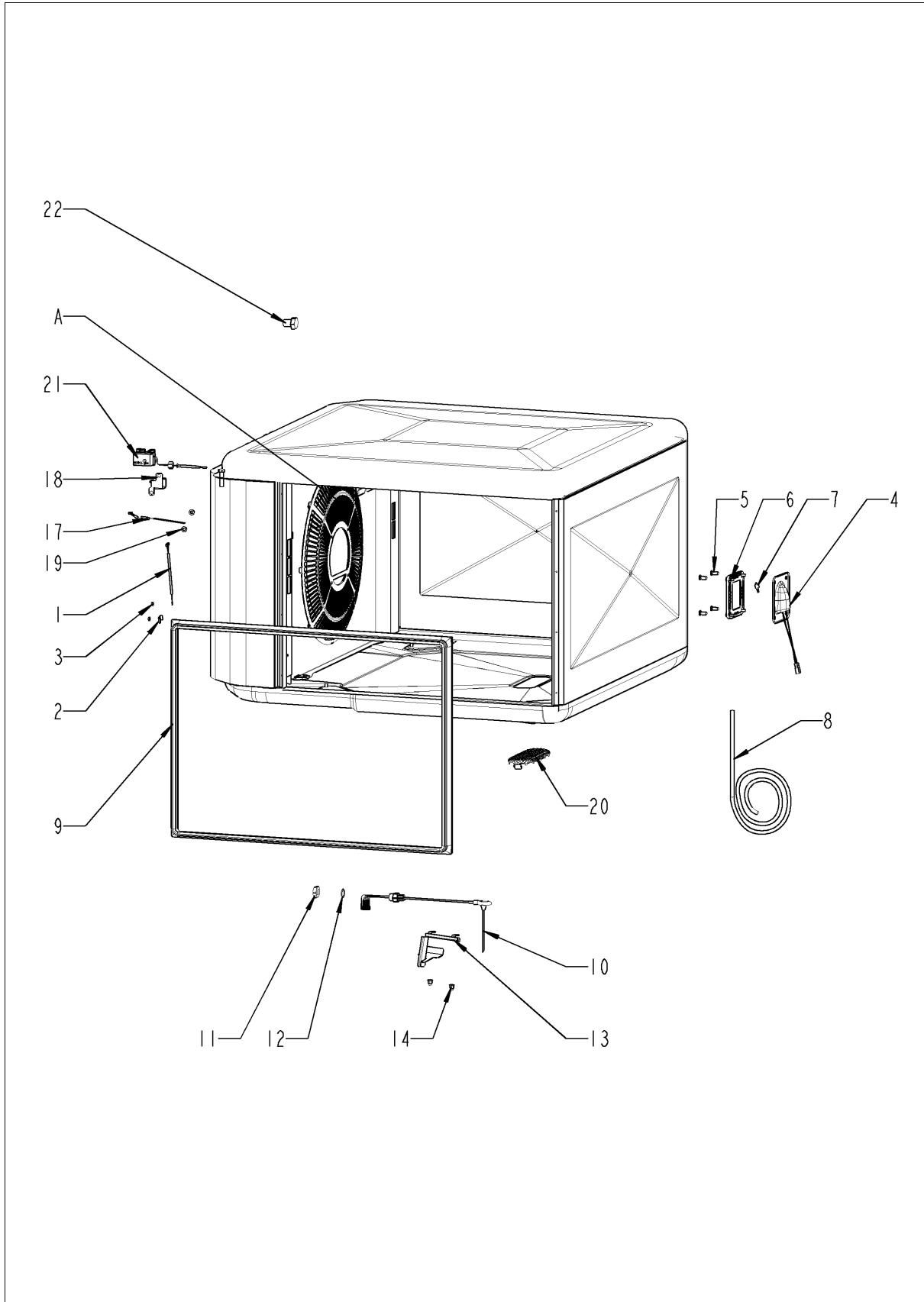
Motor and fan wheel



Motor and fan wheel

Pos.	Part No.	Description	Qty.
1	40.03.513	Fan motor with motor shaft gasket	1
3	10.01.049	Square necked mushroom head bolt 6x30	4
4	10.00.709	Hex nut M6 w. locking	2
5	22.00.721	Flange f. motor shaft gasket	1
6	22.00.722	Mounting support f. gasket flange	1
7	22.00.985	Motor shaft gasket D15	1
8	22.01.196	Graphit seal for gasket flange	1
9	10.01.065	Hex nut M5	3
10	22.00.829	Fan wheel	1
11	10.00.936	Hex screw M8x20	1
12	1308.0162	Washer A8,4	1
13	10.00.111	Cable clip long	3
15	20.01.755	Isolation for mounting plate for motor	1

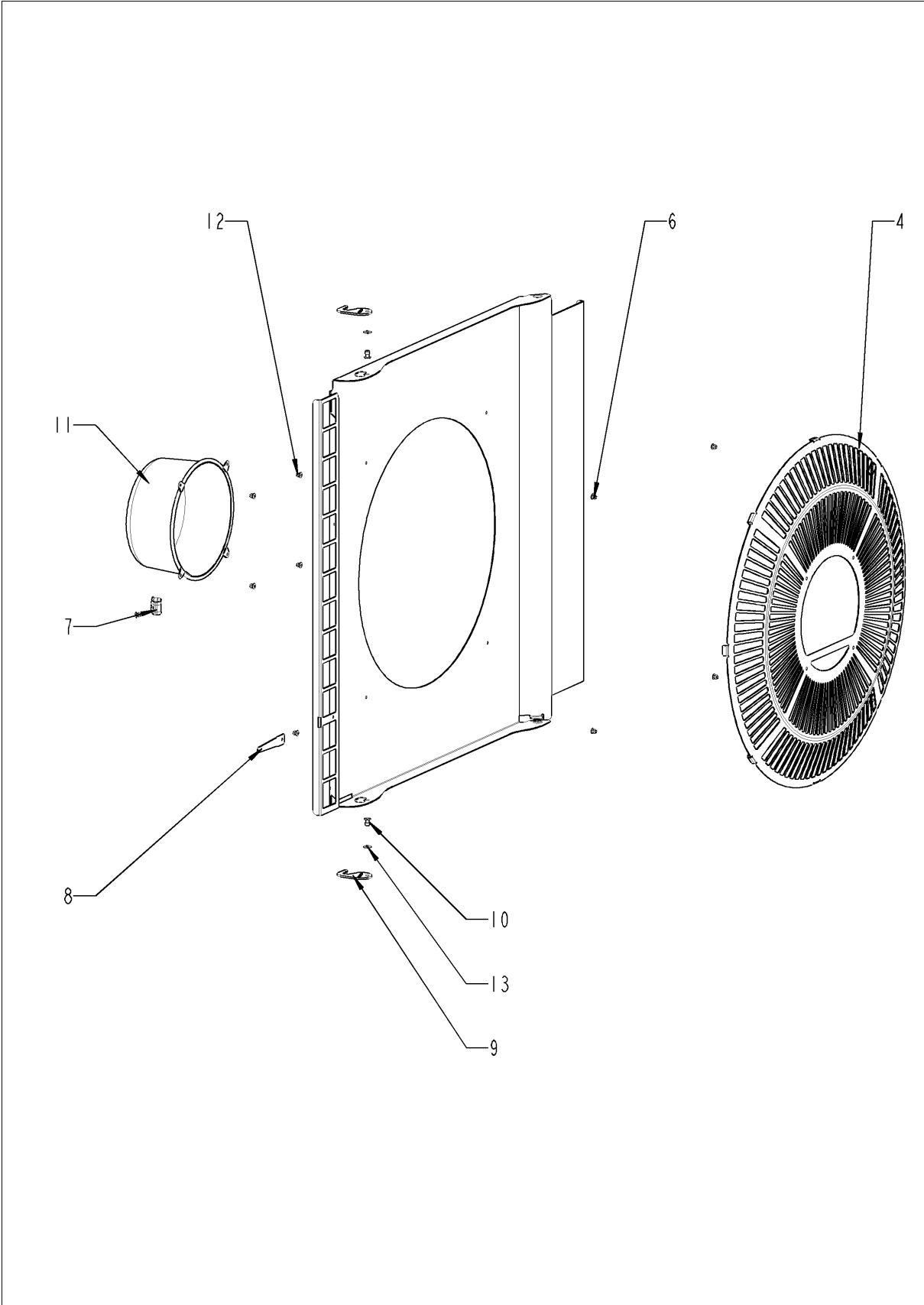
Interior cabinet



Interior cabinet

Pos.	Part No.	Description	Qty.
1	40.00.290	Thermocouple humidity *B4*	1
2	10.00.087	Clamp strap f. sensor	1
3	10.00.100	Hex nut M4, self-locking	1
4	40.00.098	Reflector f. interior light	1
5	10.01.429	Rivet nut M5 hexagon closed with gasket	4
6	40.00.091	Gasket frame w. glass a. gaskets	1
7	40.03.994	Halogen bulb 300°C	1
8	40.04.362	Wiring interior light	1
9	20.02.551	Door gasket	1
10	40.04.098	Meat probe sensor	1
11	10.00.612	Hex nut M16 flat	1
12	1315.0104	Copper washer 16x20x1,5	1
13	40.04.373	Screen core temperature sensor	1
14	10.01.076	Cap nut M5*A2	2
17	40.04.085	Thermocouple interior cabinet B1	1
18	40.03.782	Screen interior cabinet sensor	1
19	10.01.076	Cap nut M5*A2	2
20	54.01.117	Outlet sieve	1
21	40.01.482	Safety temperature limiter 365°C	1
22	3014.0327	Hex nut M10x1,0	1
A	22.00.742	Air baffle	1

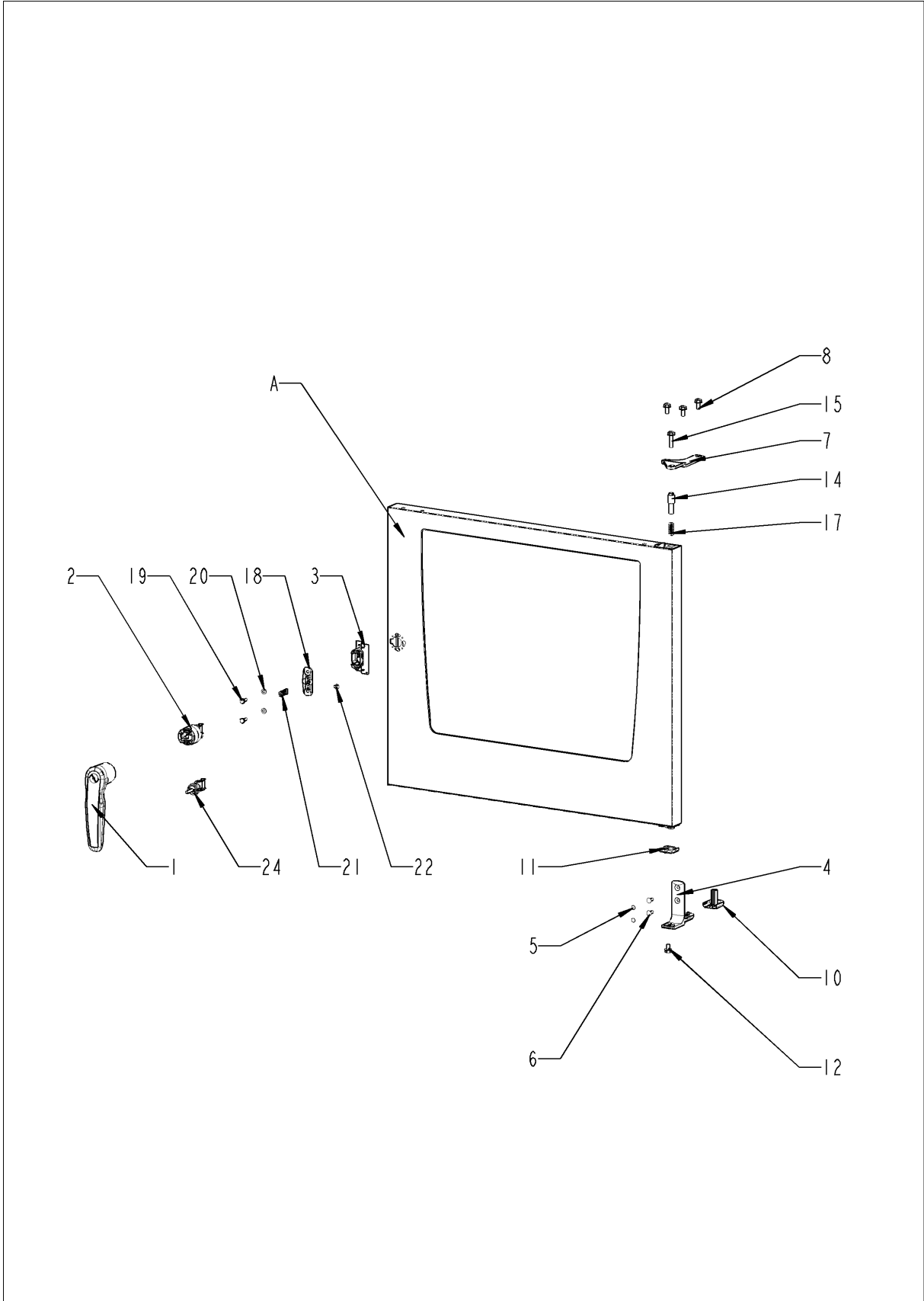
Air baffle



Air baffle

Pos.	Part No.	Description	Qty.
4	22.00.730	Hand protection	1
6	10.00.515	Rivet 3,2x5 A4	4
7	40.03.780	Fixing clip core temp. cable	1
8	22.00.491	Surge guard for Meat probe sensor	1
9	2760.1370	Latch hook for air baffle	2
10	1604.0167	Rivet 4x10	3
11	22.00.361	Deep-draw f. air baffle	1
12	10.00.515	Rivet 3,2x5 A4	4
13	10.00.744	Washer A4,3 *A4	2

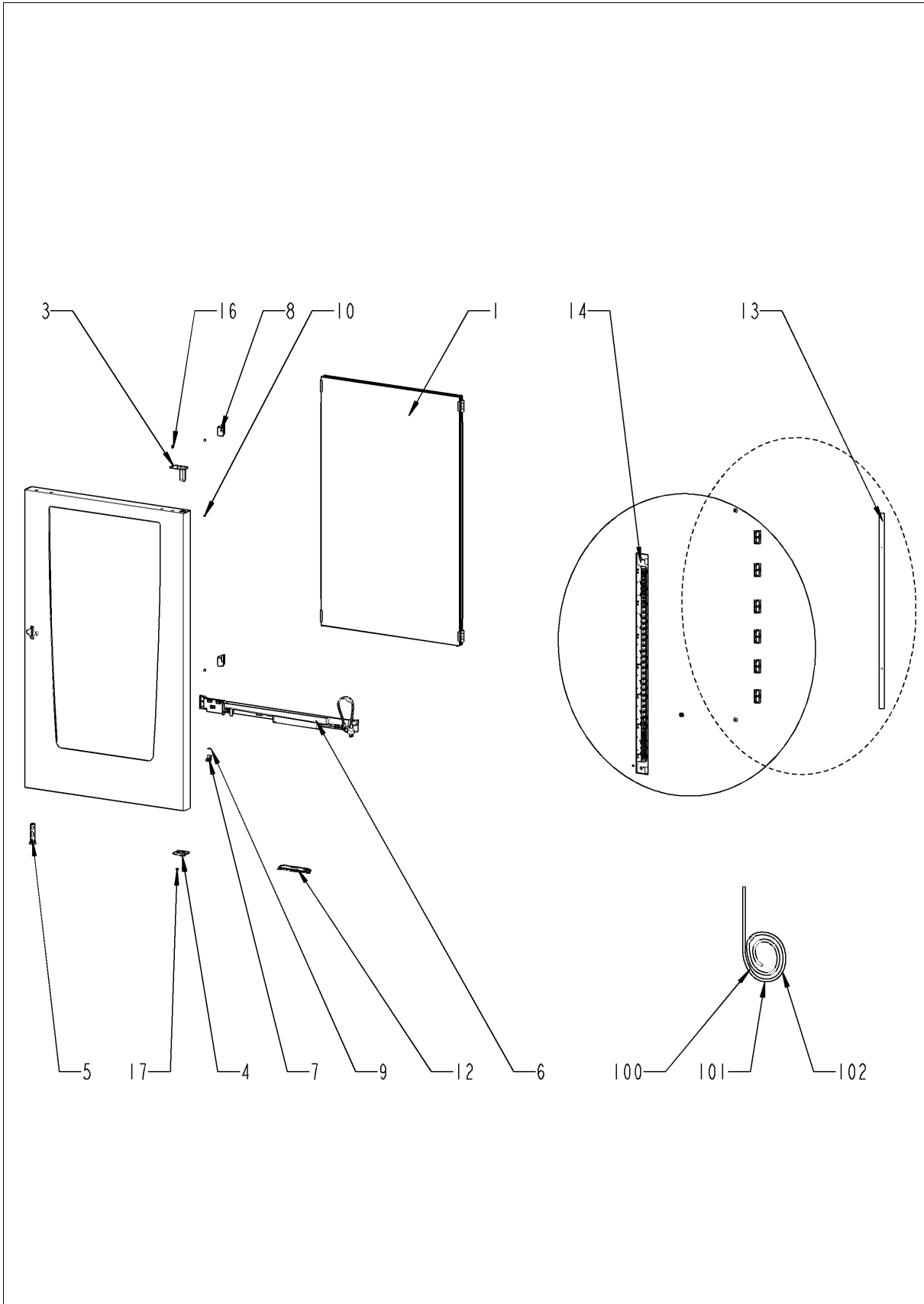
Door



Door

Pos.	Part No.	Description	Qty.
1	24.02.923	Door handle	1
2	24.03.041	Door lock with spring U-bolt	1
3	24.03.184	Lock cover	1
4	24.02.814	Door mounting support bottom	1
5	10.00.090	Cap f. Torx T30	2
6	1006.1962	Countersunk screw Torx M6x16	2
7	24.00.133	Door mounting support top	1
8	1008.0768	Ornamental screw M8x16	3
10	24.02.967	Cable cover	1
11	24.02.951	Door bolt	1
12	10.01.527	Hex screw M8x12	1
14	24.03.040	Door bolt	1
15	1008.0769	Ornamental screw M8x30	1
17	2001.0109	Compression spring	1
18	24.02.958	Holding bracket f. door catch	1
19	1006.0760	Hex screw M6x16	2
20	1306.0120	Washer A6,4	2
21	24.02.959	Door catch	1
22	24.02.960	Interlocking tooth screw M5x6	1
24	24.03.288	Spring U-bolt for door lock	1
A	24.03.087	Door	1

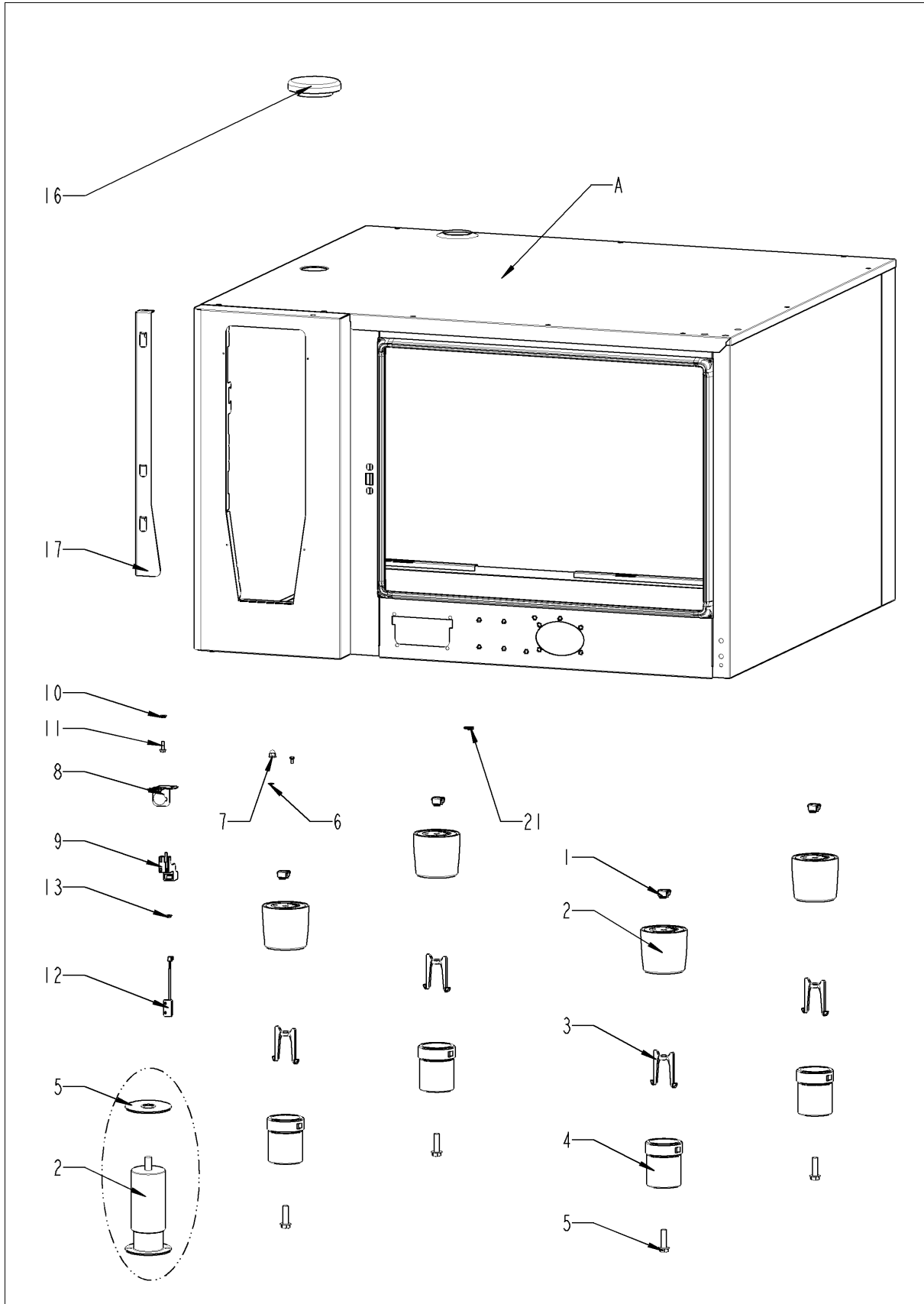
Door



Door

Pos.	Part No.	Description	Qty.
1	87.01.411	Glass pane bundle	1
3	24.03.052	Sleeve for door bolt top	1
4	24.02.966	Door setting bolt	1
5	24.00.502	Fixing device f. magnet with magnet	1
6	87.01.429	Door drip collector	1
7	24.03.056	Slide bush for door	1
8	24.03.060	Fixing bracket for interior glass pane	2
9	24.03.057	Abrasion protection for glide socket	1
10	24.03.062	Cover cap for door	1
12	42.00.193	Bus interface A8	1
13	87.01.371	LED bar, left/right	2
14	87.01.366	LED optics	2
16	10.00.890	Rivet 4x10	1
17	10.00.904	Rivet B4x8	2
100	40.05.301	Cable, interior light W40	1
101	40.05.300	Cable, interior light W45	1
102	40.05.299	Cable, interior light W46	1

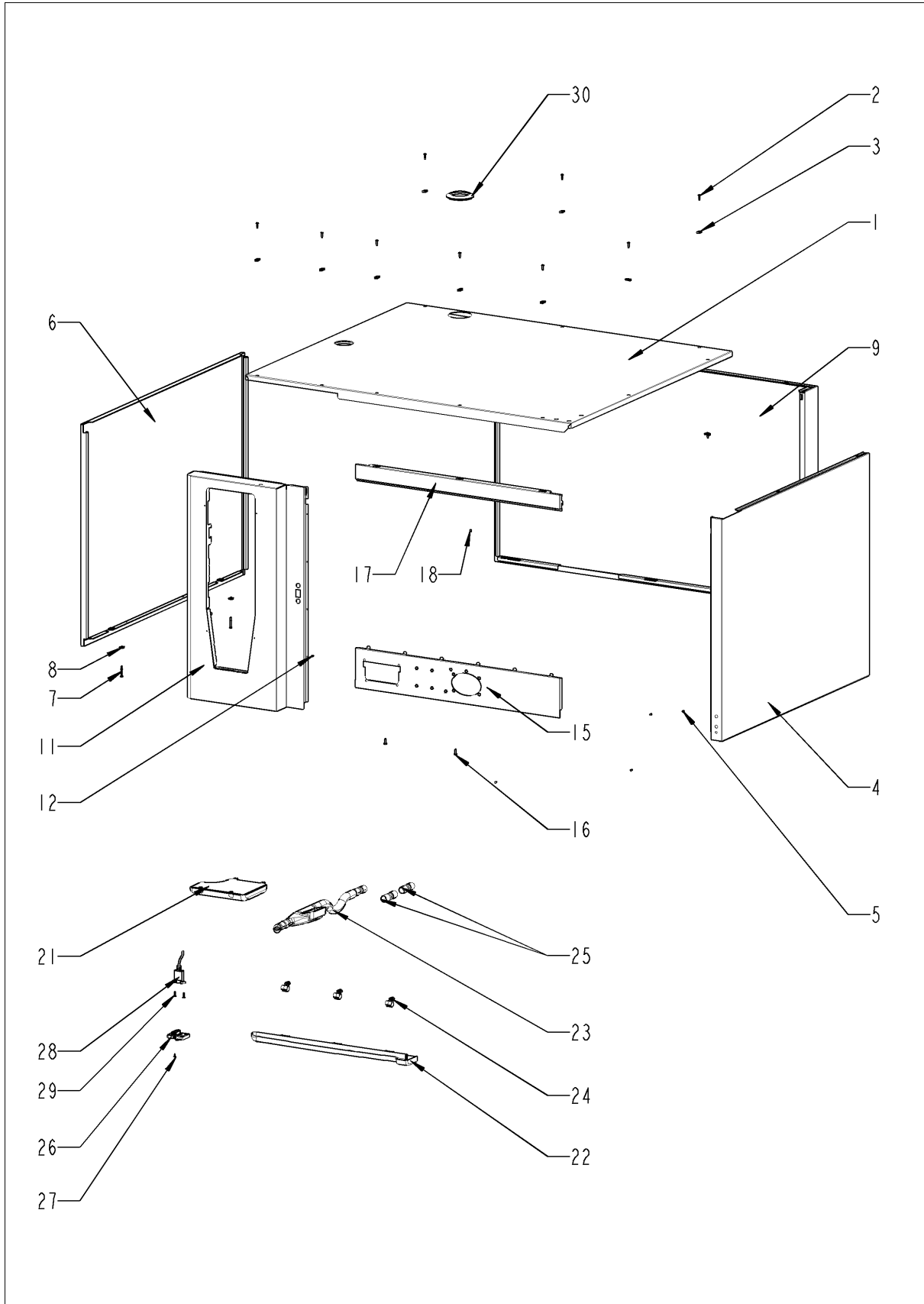
Exterior cabinet



Exterior cabinet

Pos.	Part No.	Description	Qty.
1	1110.0800	Cage nut M10	4
2	12.00.205	Upper part of pedestal	1
3	12.00.516	Turning lock f. lower part of pedestal	1
4	12.01.133	Lower part of pedestal	4
5	10.00.975	Hex screw M10x35	1
6	10.00.745	Cap nut M6*A2	1
7	1206.0120	Tooth lock washer A6,4	1
8	12.00.950	Bracket for door contact switch/drain pipe	1
9	16.01.146	Bracket for door contact switch	1
12	40.04.342	Door switch 0.45m	1
13	1105.0123	Hex combination nut M4	1
16	22.00.767	Vent cover	1
17	16.02.870	Opening mechanism for panel insert	1
21	1104.0820	Snap nut 4,2mm	3
A		Exterior cabinet	1

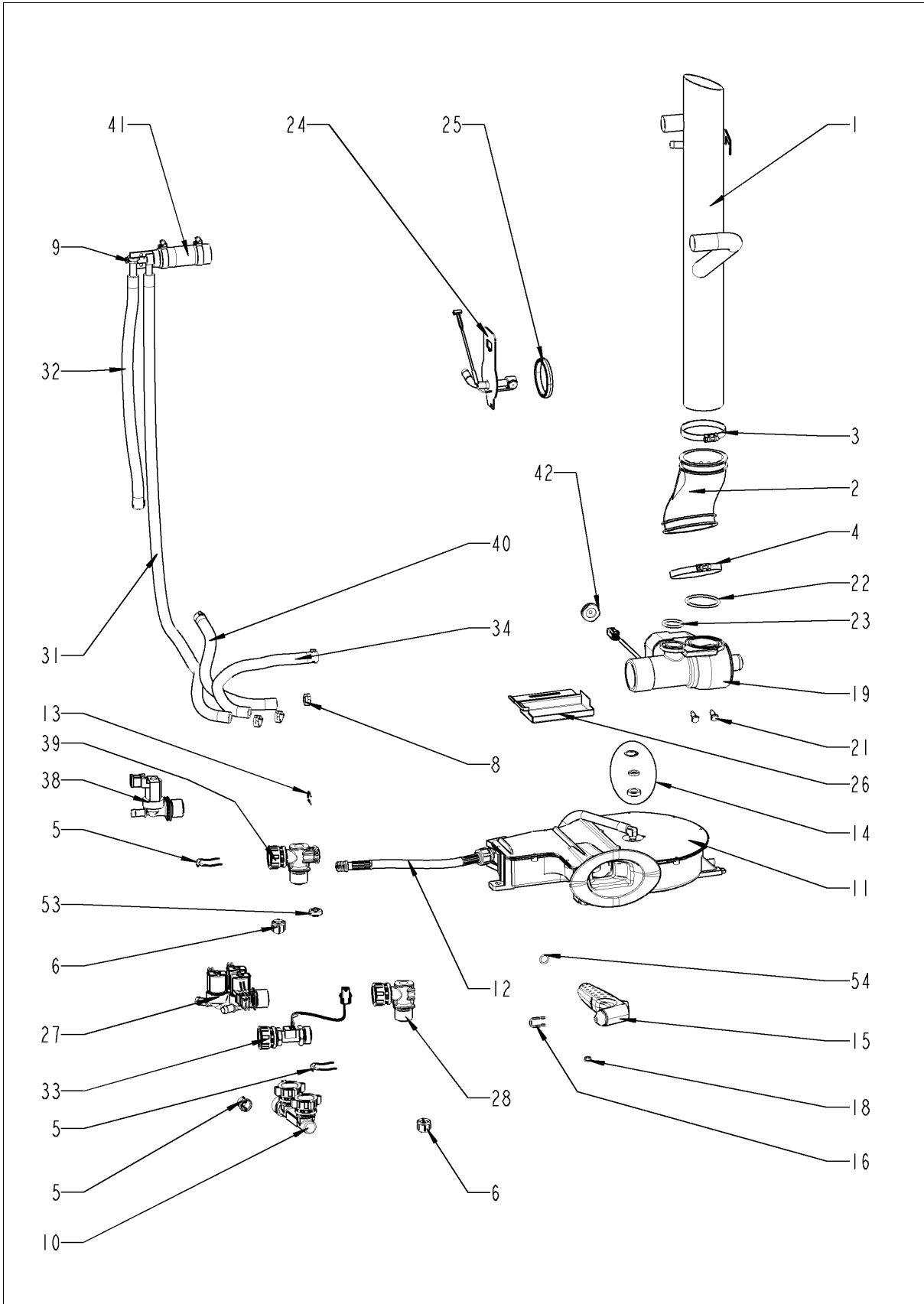
Exterior cabinet



Exterior cabinet

Pos.	Part No.	Description	Qty.
1	16.02.153	Top cover	1
2	1003.2265	Countersunk self tapping screw 4,2x16	10
3	1104.0820	Snap nut 4,2mm	8
4	16.00.146	Side panel right	1
5	1603.0166	Rivet 3,2x7,9 CNS closed	4
6	16.00.147	Side panel left	1
7	10.00.992	Hex self tapping screw B4,2x32	2
8	1104.0820	Snap nut 4,2mm	2
9	16.01.925	Back panel	1
11	16.02.728	Front panel	1
12	1603.0166	Rivet 3,2x7,9 CNS closed	4
15	16.01.511	Crossbar below	1
16	1004.2160	Hex self tapping screw 4,2x16	3
17	16.00.186	Crossbar top	1
18	1603.0166	Rivet 3,2x7,9 CNS closed	4
21	40.02.684	Air inlet filter cpl.	1
22	50.00.300	Drip collector	1
23	50.01.192	Drain pipe with bushing	1
24	50.00.296	Clip f. drip collector	4
25	50.00.303	Bushing drip collector	2
26	16.00.329	Cover f. USB interface	1
27	10.00.103	EJOT PT-screw KA 3.5x10	1
28	40.04.046	Interface cable USB 1.0m	1
29	10.00.460	EJOT PT-Screw Torx 3,5x14	2
30	16.01.748	Gasket f. breather tube d=63mm	1

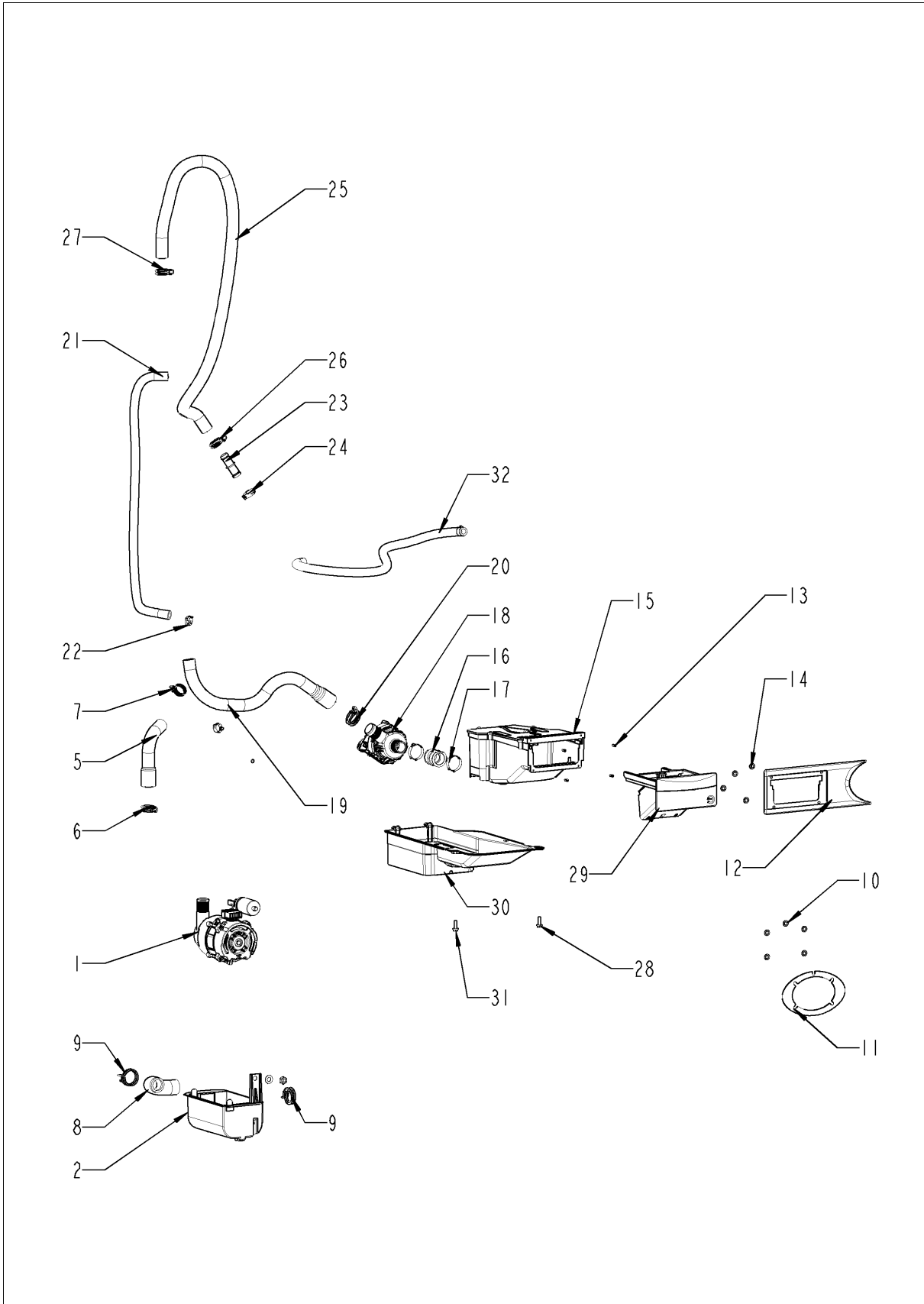
Water



Water

Pos.	Part No.	Description	Qty.
1	54.00.739	Ventilation pipe	1
2	54.01.141	Rubber form piece venting pipe	1
3	10.01.261	Hose clamp 66 mm	1
4	10.01.262	Hose clamp 76 mm	1
5	50.00.086	Locking plate f. water distribution	1
6	1900.0202	Water filter	2
8	2066.0205	Hose clamp 8-16x9 mm SW 7mm	2
9	2066.0205	Hose clamp 8-16x9 mm SW 7mm	2
11	50.01.606	Hand shower roll guide	1
12	50.01.213	Connect. hose f. hand shower roll guide	1
13	50.00.085	Plug-in spring f. hand shower roll guide	1
14	87.00.417	Repair set shaft seal 01/2004	1
15	50.00.282	Hand shower black	1
16	50.00.156	Clamp f. hand shower roll guide	1
18	1105.0121	Hex combination nut M5 galv	1
19	56.00.618	Ball valve drain SCC cpl.	1
21	10.00.449	Pan head screw M6x16	2
22	10.00.511	O-ring for ball valve drain 46x3.5	1
23	10.00.512	O-ring for ball valve drain 26x3.5	1
24	54.01.169	Inspection lid, quenching nozzle, B2	1
25	54.01.168	Gasket f. inspection lid	1
26	54.01.191	Collecting pan	1
27	50.01.050	Triple solenoid valve	1
28	50.00.071	Water distribution hor. w/o roll guide con.	1
31	2067.0050	Pressure hose d10mm	1.1
32	2067.0050	Pressure hose d10mm	.41
33	50.01.640	Water volume sensor	1
34	2067.0050	Pressure hose d10mm	.53
38	50.01.146	Single solenoid valve Y2	1
39	50.00.070	Water distribution hor roll guide con.	1
40	2067.0050	Pressure hose d10mm	.4
41	8354.1304	Venting valve for steam generator	1
42	2022.0101	Grommet d8mm	1
53	1900.0102	Flow controller red 5 l/min	1
54	50.00.554	O-ring for hand shower 11x2mm	2

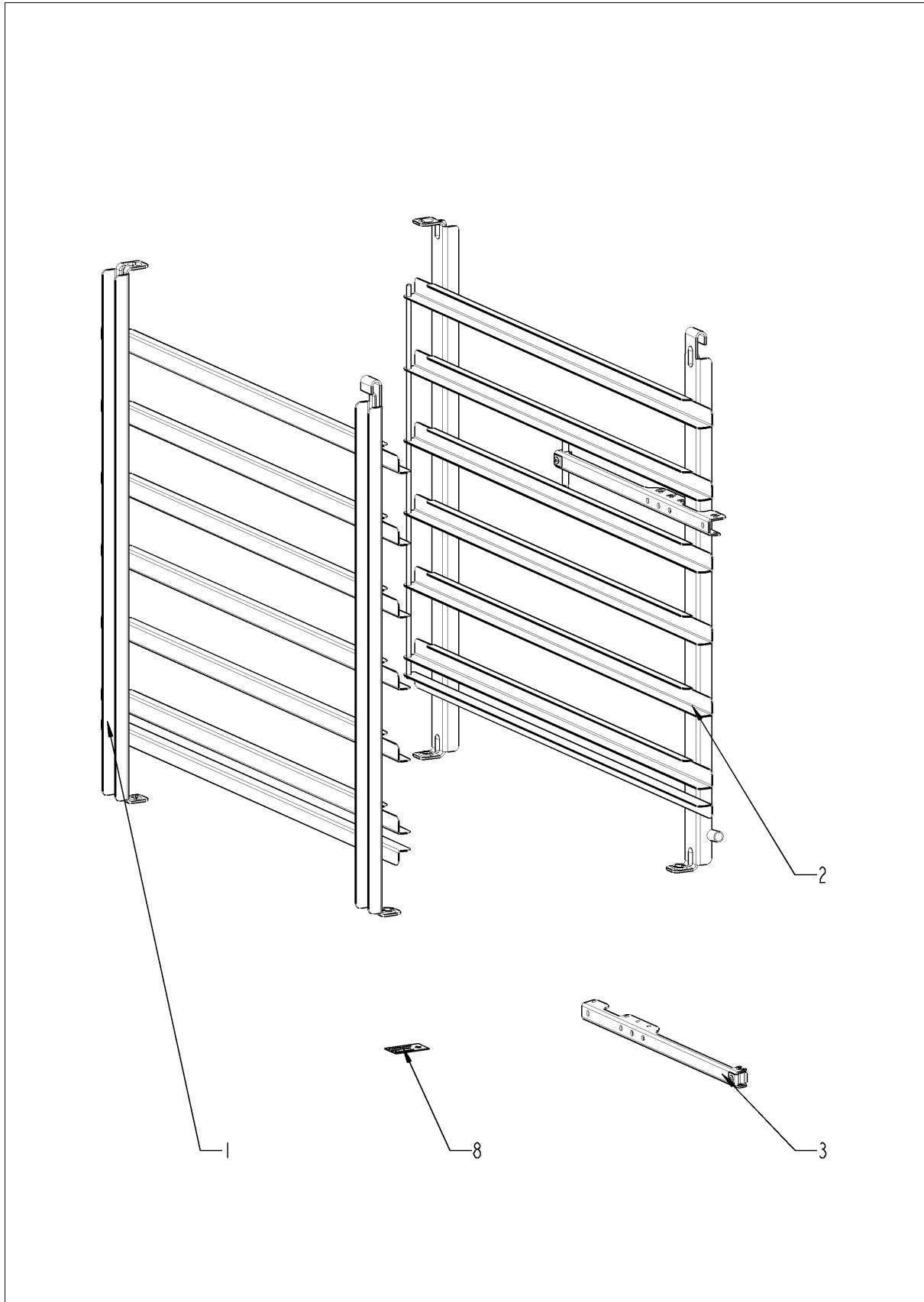
CleanJet + Care



CleanJet + Care

Pos.	Part No.	Description	Qty.
1	56.00.153	Pump f. cleaning UP30	1
2	12.00.319	Housing f. Cleaning pump	1
5	56.00.166	Pressure hose f. cleaning	1
6	2066.0518	Hose clamp 30mm	1
7	2066.0521	Hose clamp 27mm	1
8	56.00.607	Suction hose f. cleaning	1
9	2066.0518	Hose clamp 30mm	2
10	1107.0100	Star lock ø4	5
11	50.00.754	Tulip for handshower with tape black	1
12	56.00.392	Frame for drawer CareControl	1
13	10.00.980	EJOT PT-Screw K30x10	4
15	56.00.492	Care container table unit	1
16	56.00.462	Bushing care container/pump	1
17	10.00.984	Hose clamp CLIC d=27.5mm	2
18	56.00.451	Pump f. CareControl DPS 35	1
19	56.00.540	Care hose 1	1
20	2066.0518	Hose clamp 30mm	1
21	2067.0164	Pressure hose ø10mm 650mm long	1
22	10.00.873	Hose clamp CLIC d=15.5mm	1
23	56.00.537	Pipe f. Care hose	1
24	10.00.983	Hose clamp CLIC d=23mm	1
25	56.00.457	Care hose 2	1
26	10.00.605	Hose clamp ø25.3	1
27	10.00.979	Cable clamp D=22	1
28	1005.2000	Interlocking tooth screw M5x8	1
29	56.00.402	Drawer Care container	1
30	56.00.375	Cover for pump	1
31	10.00.989	Rivet with screw	2
32	2067.0050	Pressure hose d10mm	.65

Standard accessory



Standard accessory

Pos.	Part No.	Description	Qty.
1	60.62.124	Hinging rack left Typ 62	1
2	60.62.125	Hinging rack right Typ 62	1
3	60.71.022	Positioning support f. core sensor	1
8	10.01.193	Sticker set	1

Index

Part-no.	Description	Page
24.03.057	Abrasion protection for glide socket	27
40.04.331	Adaptor cable f. Ball valve drain	9
22.00.742	Air baffle	21
40.02.684	Air inlet filter cpl.	31
22.00.914	Air inlet pipe	11
40.02.641	Auxilliary contact B&J HN10 N/O	9
16.01.925	Back panel	31
56.00.618	Ball valve drain SCC cpl.	33
16.01.146	Bracket for door contact switch	29
12.00.950	Bracket for door contact switch/drain pipe	29
40.03.998	Bus cable 1.15m	7
42.00.193	Bus interface A8	27
56.00.462	Bushing care container/pump	35
50.00.303	Bushing drip collector	31
10.00.979	Cable clamp D=22	35
10.00.111	Cable clip long	11, 19
40.04.956	Cable control harness	9
24.02.967	Cable cover	25
40.00.306	Cable entry	7
40.02.965	Cable harness solenoid valve / SC-pump	9
40.03.516	Cable MMI - CPU	5
40.03.515	Cable MMI - TFT	5
40.03.467	Cable On-Off switch MMI	5
10.00.414	Cable strap black 120°	13
40.05.297	Cable, interior light W11	7
40.05.301	Cable, interior light W40	27
40.05.300	Cable, interior light W45	27
40.05.299	Cable, interior light W46	27
1110.0800	Cage nut M10	29
10.00.090	Cap f. Torx T30	25
10.01.076	Cap nut M5*A2	17, 21
10.00.745	Cap nut M6*A2	29

Index

Part-no.	Description	Page
56.00.492	Care container table unit	35
56.00.540	Care hose 1	35
56.00.457	Care hose 2	35
50.00.156	Clamp f. hand shower roll guide	33
10.00.087	Clamp strap f. sensor	21
50.00.296	Clip f. drip collector	31
54.01.191	Collecting pan	33
2001.0109	Compression spring	25
50.01.213	Connect. hose f. hand shower roll guide	33
40.03.360	Contactora assembly	9
40.03.668	Contactora B&J K3-24B00 190 R	9
87.01.301	Control panel insert with overlay *RAT*	5
42.00.261	Control pcb	7
42.00.112	Control pcb *TFT*	5
40.03.348	Control transformer T1	9
40.03.257	Converter 230VAC 24VDC	7
40.03.428	Cooling fan with NTC	7
1315.0104	Copper washer 16x20x1,5	21
1006.1962	Countersunk screw Torx M6x16	25
1003.2265	Countersunk self tapping screw 4,2x16	31
24.03.062	Cover cap for door	27
16.02.889	Cover f. control pcb w. gasket	5
16.00.329	Cover f. USB interface	31
56.00.375	Cover for pump	35
16.01.511	Crossbar below	31
16.00.186	Crossbar top	31
22.00.361	Deep-draw f. air baffle	23
16.02.062	Dial f. pulse generator	5
24.03.087	Door	25
24.02.951	Door bolt	25
24.03.040	Door bolt	25
24.02.959	Door catch	25

Index

Part-no.	Description	Page
87.01.429	Door drip collector	27
20.02.551	Door gasket	21
24.02.923	Door handle	25
24.03.041	Door lock with spring U-bolt	25
24.02.814	Door mounting support bottom	25
24.00.133	Door mounting support top	25
24.02.966	Door setting bolt	27
40.04.342	Door switch 0.45m	29
22.00.959	Drain hose for humidity control	11
44.01.220	Drain hose steam generator	13
50.01.192	Drain pipe with bushing	31
56.00.402	Drawer Care container	35
50.00.300	Drip collector	31
40.01.329	Dry up protector 183°C	9
40.05.274	Earth terminal WKFN 16 SL/35	9
10.00.980	EJOT PT-Screw K30x10	35
10.00.103	EJOT PT-screw KA 3.5x10	31
10.00.460	EJOT PT-Screw Torx 3,5x14	31
40.02.424	Electronic noise filter	9
44.00.207	Emptying pump	13
40.05.281	End cover APFN 16 D1/2/35	9
40.03.661	Fan housing	7
40.03.513	Fan motor with motor shaft gasket	19
22.00.829	Fan wheel	19
44.01.417	Filling level electrode 90 mm	13
44.01.168	Fixing angle steam generator	13
24.03.060	Fixing bracket for interior glass pane	27
40.03.780	Fixing clip core temp. cable	23
40.03.756	Fixing clip f. pcb	7
40.03.533	Fixing clip f. pcb	7
24.00.502	Fixing device f. magnet with magnet	27
44.01.201	Fixing device f. pump steam generator	13

Index

Part-no.	Description	Page
22.00.721	Flange f. motor shaft gasket	19
1900.0102	Flow controller red 5 l/min	33
56.00.392	Frame for drawer CareControl	35
16.02.728	Front panel	31
4001.0224	Fuse 6.35x32mm	9
40.02.512	Fuse holder 2x6.3A	9
16.01.748	Gasket f. breather tube d=63mm	31
40.03.415	Gasket f. heating assembly	17
44.00.279	Gasket f. heating element	13
44.00.280	Gasket f. heating element+Level elektrode insert	13
22.00.881	Gasket f. hum. meas. Pipe	11
54.01.168	Gasket f. inspection lid	33
40.00.091	Gasket frame w. glass a. gaskets	21
87.01.411	Glass pane bundle	27
22.01.196	Graphit seal for gasket flange	19
2022.0101	Grommet d8mm	33
40.03.994	Halogen bulb 300°C	21
22.00.730	Hand protection	23
50.00.282	Hand shower black	33
50.01.606	Hand shower roll guide	33
40.03.932	Heat sink big 2 SSR	7
40.03.296	Heating assembly	17
44.01.334	Heating element	13
1105.0123	Hex combination nut M4	29
1104.0122	Hex combination nut M4 galv.	11, 13
1105.0121	Hex combination nut M5 galv.	7, 33
10.00.100	Hex nut M4, self-locking	21
1105.0120	Hex nut M5	7
10.01.065	Hex nut M5	9, 19
10.00.709	Hex nut M6 w. locking	13, 19
3014.0327	Hex nut M10x1,0	9, 21
10.00.612	Hex nut M16 flat	21

Index

Part-no.	Description	Page
10.00.109	Hex screw M5x23	17
1006.0762	Hex screw M6x10	13
1006.0760	Hex screw M6x16	25
10.01.527	Hex screw M8x12	25
10.00.936	Hex screw M8x20	19
10.00.975	Hex screw M10x35	29
1004.2160	Hex self tapping screw 4,2x16	31
10.00.992	Hex self tapping screw B4,2x32	31
60.62.124	Hinging rack left Typ 62	37
60.62.125	Hinging rack right Typ 62	37
24.02.958	Holding bracket f. door catch	25
2066.0205	Hose clamp 8-16x9 mm SW 7mm	33
2066.0521	Hose clamp 27mm	35
2066.0518	Hose clamp 30mm	13, 35
2066.0504	Hose clamp 40-60mm	13
10.01.261	Hose clamp 66 mm	33
10.01.262	Hose clamp 76 mm	33
10.00.873	Hose clamp CLIC d=15.5mm	35
10.00.983	Hose clamp CLIC d=23mm	35
10.00.984	Hose clamp CLIC d=27.5mm	35
2066.0527	Hose clamp ø14mm	11, 15
2066.0530	Hose clamp ø16.4mm	15
10.00.605	Hose clamp ø25.3	35
2066.0519	Hose clamp Ø35,6mm	13
2066.0526	Hose clamp ø46mm	13
22.00.525	Hose set f. humidity control	11
12.00.319	Housing f. Cleaning pump	35
22.00.725	Humidity control cpl.	11
54.01.169	Inspection lid, quenching nozzle, B2	33
40.04.046	Interface cable USB 1.0m	31
24.02.960	Interlocking tooth screw M5x6	25
1005.2000	Interlocking tooth screw M5x8	35

Index

Part-no.	Description	Page
20.01.755	Isolation for mounting plate for motor	19
2062.0331	Junction pressure hose GS 10	15
2760.1370	Latch hook for air baffle	23
87.01.371	LED bar, left/right	27
87.01.366	LED optics	27
2920.1300	Level elektrode insert	13
24.03.184	Lock cover	25
50.00.086	Locking plate f. water distribution	33
40.03.928	Loudspeaker cpl.	7
12.01.133	Lower part of pedestal	29
40.03.410	Mating flange f. heating assembly	17
40.04.098	Meat probe sensor	21
42.00.081	MMI pcb	5
22.00.985	Motor shaft gasket D15	19
40.03.359	Mounting base for control pcb	7
22.00.882	Mounting device f. pressure sensor	11
40.03.372	Mounting device heat sink SSR	7
22.00.722	Mounting support f. gasket flange	19
40.03.404	Mounting support transformer	9
50.00.844	Nozzle f. moistening	17
10.00.512	O-ring for ball valve drain 26x3.5	33
10.00.511	O-ring for ball valve drain 46x3.5	33
50.00.554	O-ring for hand shower 11x2mm	33
22.00.837	O-ring for humidity control	11
16.02.870	Opening mechanism for panel insert	29
1008.0768	Ornamental screw M8x16	25
1008.0769	Ornamental screw M8x30	25
22.00.850	Outer humidity meas. Piece	11
54.01.117	Outlet sieve	21
10.00.449	Pan head screw M6x16	33
10.00.365	Pan head screw Torx M3x20	9
10.01.266	Pan head screw Torx T20 10,5mm	7

Index

Part-no.	Description	Page
10.00.061	Pan head screw Torx T20 M4x12	7
56.00.537	Pipe f. Care hose	35
50.01.721	Plastic pipe 4,5x0,75x178mm	17
50.00.085	Plug-in spring f. hand shower roll guide	33
60.71.022	Positioning support f. core sensor	37
8801.0136	Power supply cable 5x4mm ² 3m	7
42.00.224	Power supply for level interior light	7
2067.0050	Pressure hose d10mm	33, 35
56.00.166	Pressure hose f. cleaning	35
2067.0164	Pressure hose ø10mm 650mm long	35
3017.1011	Pressure sensor for humidity control Huba 401	11
40.00.404	Pulse generator	5
2118.1000	Pump connection spout	15
8354.1320	Pump connection spout cpl.	13
56.00.451	Pump f. CareControl DPS 35	35
56.00.153	Pump f. cleaning UP30	35
40.00.098	Reflector f. interior light	21
87.00.417	Repair set shaft seal 01/2004	33
10.00.515	Rivet 3,2x5 A4	23
1603.0166	Rivet 3,2x7,9 CNS closed	31
1604.0167	Rivet 4x10	23
10.00.890	Rivet 4x10	27
10.00.904	Rivet B4x8	27
10.01.429	Rivet nut M5 hexagon closed with gasket	21
10.00.989	Rivet with screw	7, 35
54.01.141	Rubber form piece venting pipe	33
40.01.482	Safety temperature limiter 365°C	9, 21
40.04.373	Screen core temperature sensor	21
40.03.782	Screen interior cabinet sensor	21
42.00.128	SD-memory card 4GB	7
16.02.865	Sealing f. panel insert	5
16.00.147	Side panel left	31

Index

Part-no.	Description	Page
16.00.146	Side panel right	31
2110.1008	Silicon hose ø10x2mm	15
50.01.146	Single solenoid valve Y2	33
24.03.052	Sleeve for door bolt top	27
24.03.056	Slide bush for door	27
1104.0820	Snap nut 4,2mm	29, 31
40.00.453	Solid state relais	7
24.03.288	Spring U-bolt for door lock	25
10.01.049	Square necked mushroom head bolt 6x30	19
1107.0103	Star lock ø3	17
1107.0100	Star lock ø4	35
44.00.939	Steam generator insulated	13
2112.1006	Steam hose Ø50x50mm	13
10.01.193	Sticker set	37
2120.1259	Stop plug 10mm	15
56.00.607	Suction hose f. cleaning	35
22.00.491	Surge guard for Meat probe sensor	23
40.05.026	Terminal block blue WKFN16/35	9
40.04.639	Terminal block grey WKFN 6/35	9
40.04.645	Terminal block grey WKFN 16 D1/2/35	9
40.00.290	Thermocouple humidity *B4*	21
40.04.085	Thermocouple interior cabinet B1	21
40.04.106	Thermocouple steam generator *B5*	13
4005.0101	Tie rap 145 mm	15
40.03.732	Tie rap 160 mm	7
1204.0120	Tooth lock washer A4,3	7
1205.0120	Tooth lock washer A5,3	7
1206.0120	Tooth lock washer A6,4	29
16.02.153	Top cover	31
50.01.050	Triple solenoid valve	33
50.00.754	Tulip for handshower with tape black	35
12.00.516	Turning lock f. lower part of pedestal	29



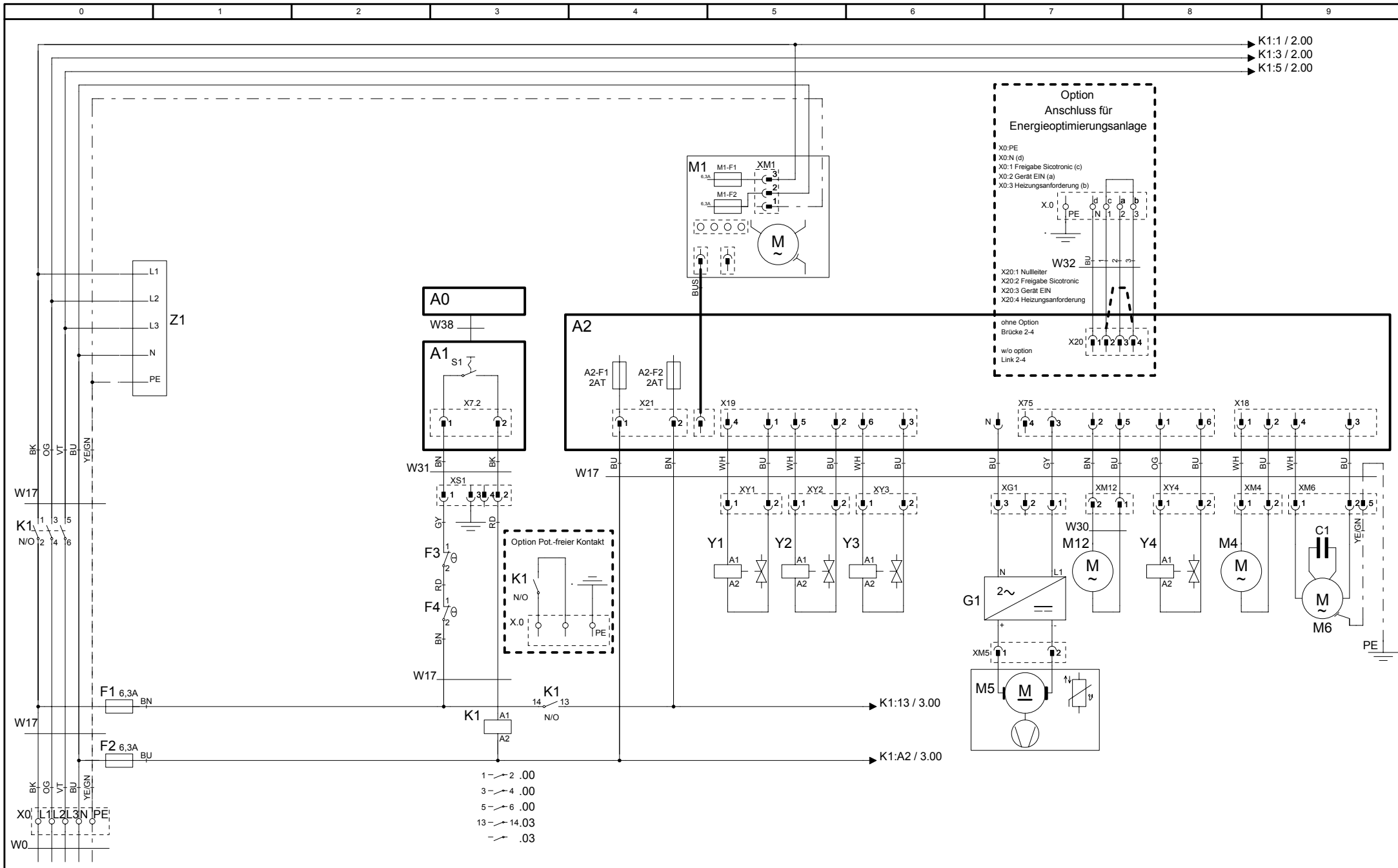
Index

Part-no.	Description	Page
50.00.846	Union nut M12x13.2 N	17
12.00.205	Upper part of pedestal	29
22.00.767	Vent cover	11, 29
54.00.739	Ventilation pipe	33
8354.1304	Venting valve for steam generator	33
10.00.744	Washer A4,3 *A4	23
1306.0120	Washer A6,4	25
1308.0162	Washer A8,4	19
50.00.070	Water distribution hor roll guide con.	33
50.00.071	Water distribution hor. w/o roll guide con.	33
1900.0202	Water filter	33
50.01.640	Water volume sensor	33
40.04.362	Wiring interior light	7, 21

Deckblatt Elektrische Dokumentation, Cover sheet electrical Documentation

Die Elektrische Dokumentation besteht aus: 1. diesem Deckblatt, 2. dem Schaltplan und 3. der Legende der elektrischen Bauteile
The electric documentation contains: 1. this cover sheet, 2. the wiring diagram and 3. the bill of material (BOM)

Typ Type	SCC WE 62E		
Spannung (SPL) Voltage	3NAC400 V 50/60 Hz		
Deckblatt-Nr. Front Page No.	75-22051	Version	0
Schaltplan Wiring diagram	76-00752	Version	0
Legende Legend electr. components	78-01489	Version	0
Geräteserialnr. Serial number	E62SI1609	Version	1609
Erstellt am Created at	22.06.2016	Ersteller Creator	HEJA
Gültig ab Valid from	21.06.2016	Änderung Modification	

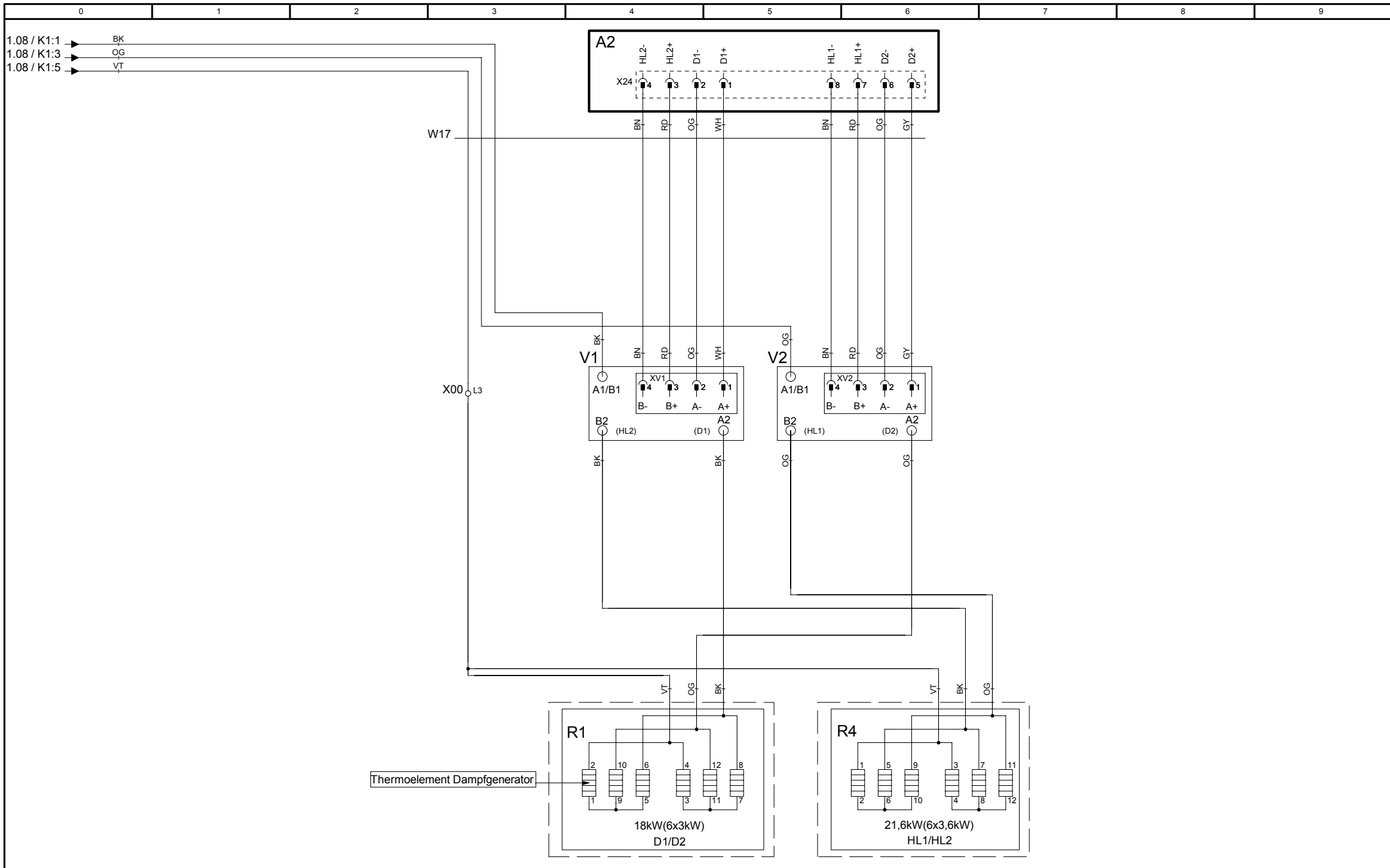


76-00752	
Version	0

MODUL 1 Leistung/Power	
----------------------------------	--

SCC WE 62E-Option 3NAC400 V 50/60 Hz	
--	--

Erstellt von	HEJA
Datum	21.06.2016
Blatt	1



76-00752

MODUL 2
Heizung/Heating

SCC WE 62E-Option

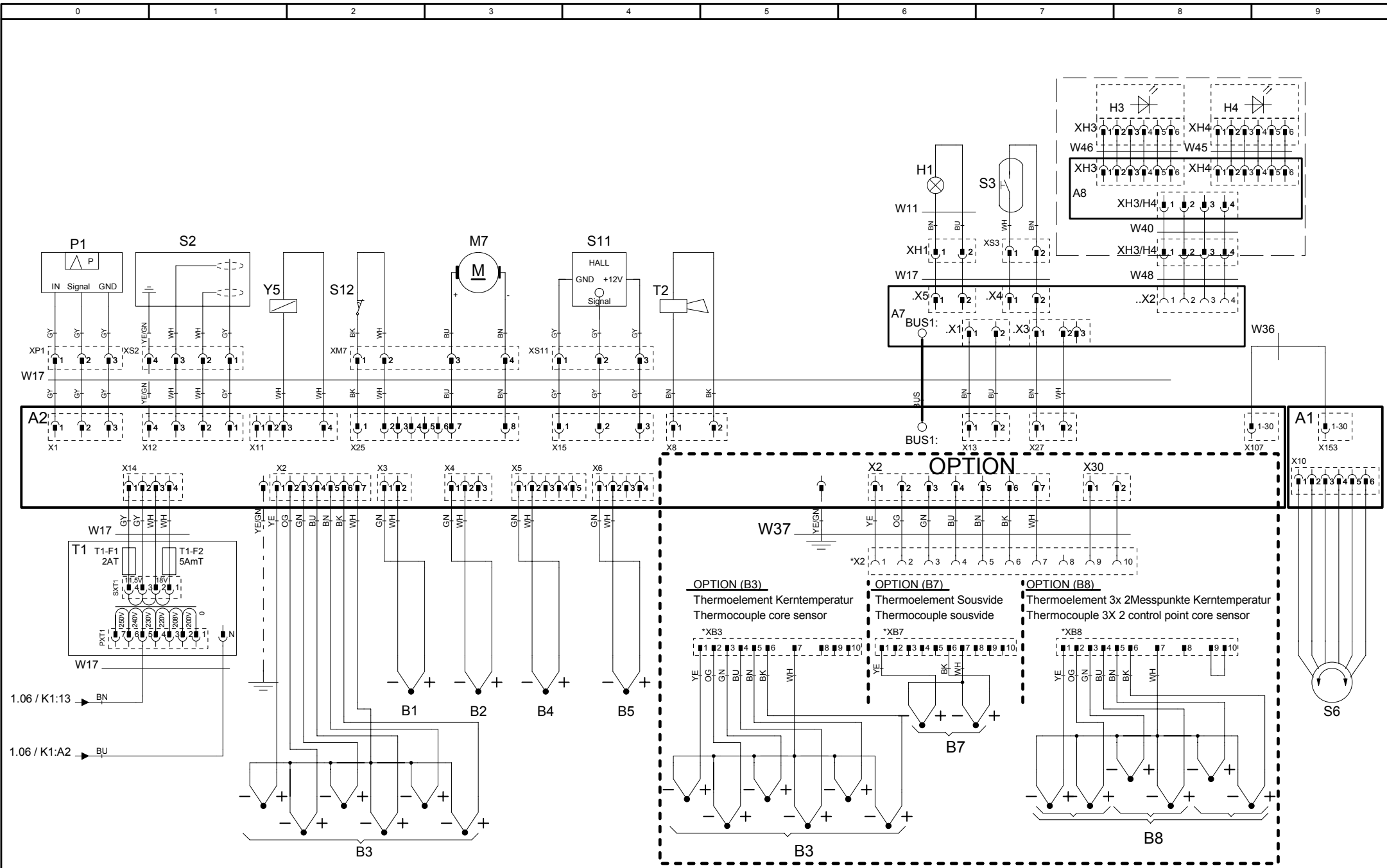
Erstellt von HEJA

Version 0

3NAC400 V 50/60 Hz

Datum 21.06.2016

Blatt 2



76-00752
Version 0

MODUL 3 Sensoren/Sensors

SCC WE 62E-Option 3NAC400 V 50/60 Hz

Erstellt von	HEJA
Datum	21.06.2016
Blatt	3

Positionsliste
Bill of material

Name Name	Artikelnr. Item number	Artikelbezeichnung	Item description		
-A0	42.00.112	TFT Touch	TFT Touch		
-A1	42.00.081	Interface Platine	Interface PCB		
-A2	42.00.261	CPU SCC WE	CPU SCC WE		
-A2-F1/F2	3019.0120	Sicherung A2 - 2AT	Fuse A2 - 2AT		
-A7	42.00.224	Netzteil Beleuchtung	Power supply lighting		
-A8	42.00.193	Busknoten Tür	Network board door		
-B1	40.04.085	Thermoelement Garraum	Thermocouple interior cabinet		
-B2	54.01.169	Thermoelement Steuerventil	Thermocouple control valve		
-B3	40.04.098	Thermoelement Kerntemperatur	Thermocouple core sensor		
-B4	40.00.290	Thermoelement Feuchte	Thermocouple humidity		
-B5	40.04.106	Thermoelement Dampfgenerator	Thermocouple steam generator		
-F1/F2	4001.0224	Steuersicherung	Control fuse		
-F3	40.01.329	Sicherheitstemperaturbegrenzer DG	Safety thermostat steam generator SG		
-F4	40.01.482	Sicherheitstemperaturbegrenzer 360°C/680°F	Safety thermostat interior cabinet 360°C/680°F		
-G1	40.03.257	Gleichrichter Kühlblüfer	DC converter cooling fan		
-H1	3024.0201	Garraumbeleuchtung	Interior cabinet light		
-H3/H4	42.00.204	Türbeleuchtung LED-Platine	Door lighting LED board		
-K1	40.03.668	Hauptschütz	Main contactor		
-M1	40.03.513	Lüftermotor	Fan motor		
-M12	56.00.451	Pumpe Pflegemittel	Care pump		
-M4	44.00.207	SC-Pumpe	SC-pump		
-M5	40.03.428	Kühlblüfer	Cooling fan		
-M6	56.00.153	CleanJet Pumpe SCC WE	CleanJet pump SCC WE		
-M7	56.00.618	Kugelhahn Ablauf	Drain valve		
-P1	3017.1011	Differenzdrucksensor	Differential pressure sensor		
-R1	44.01.334	Dampfheizkörper	Heating element steam		
-R4	40.03.296	Heißluftheizkörper	Heating element hot air		
-S1	TEXT	Ein/Aus Schalter	ON/OFF switch		
-S11	50.01.640	CDS-Sensor	CDS-sensor		
-S2	44.01.417	Niveauelektrode	Water level electrode		
-S3	40.04.342	Türkontaktschalter	Door contact switch		
Änderungsdatum	21.06.2016	Name	SCC WE 62E-Option	Dokument-Nr.	78-01489
Erzeuger	HEJA	Spannung	3NAC400 V 50/60 Hz	Version	0

Positionsliste
Bill of material

Name Name	Artikelnr. Item number	Artikelbezeichnung	Item description
-S6	40.00.404	Zentrales Einstellrad	Central dial
-T1	40.03.348	Steuertrafo	Control transformer
-T1-F1	3019.0120	Sicherung Steuertrafo T1 2AT	Fuse control transformer T1 2AT
-T1-F2	3019.0114	Sicherung Steuertrafo T1 5AmT	Fuse control transformer T1 5AmT
-T2	40.03.928	SCC WE: Lautsprecher / CMP: Alarmsummer	SCC WE: Speaker / CMP: Buzzer
-V1-V12	40.00.453	Leistungshalbleiter	Solid state relais
-W0	8801.0136	Anschlusskabel	Cable: power supply
-W11	40.04.362	Kabel: Garraumbeleuchtung	Cable: interior cabinet light
-W17	40.04.956	Kabel: Steuerstamm	Cable: control harness
-W30	40.02.965	Kabel: Adapterkabel Pumpe Pflegemittel 61-102	Cable: adapter care pump 61-102
-W31	40.03.467	Kabel: Ein/Aus Schalter	Cable: ON/OFF switch
-W36	40.03.516	Kabel: Interface Platine - CPU SCC WE	Cable: Interface PCB - CPU SCC WE
-W38	40.03.515	Kabel: Interface Platine-TFT Touch	Cable: Interface PCB-TFT Touch
-W40	40.05.301	Kabel: Türbeleuchtung	Cable: door lighting
-W45	40.05.300	Kabel: Option Türbeleuchtung griffseitig	Cable: Option door lighting handle sided
-W46	40.05.299	Kabel: Option Türbeleuchtung scharnierseitig	Cable: Option door lighting hinge sided
-W48	40.05.297	Kabel: Verbindung Platine A7-Tür	Cable: Connection board A7 to door
-Y1/Y3/Y4	50.01.050	Y1: Magnetventil Füllen / SCC WE Y3: Beschwadung / Y4: Pflegemittel	Y1: Solenoid valve filling / SCC WE Y3: moistening / Y4: care
-Y2	50.01.146	Magnetventil Steuerventil	Solenoid valve control valve
-Y5	22.00.725	Klimaventil	Clima valve
-Z1	40.02.424	Entstörfilter/Varistor	Electronic noise filter

Änderungsdatum	21.06.2016	Name	SCC WE 62E-Option	Dokument-Nr.	78-01489
Erzeuger	HEJA	Spannung	3NAC400 V 50/60 Hz	Version	0