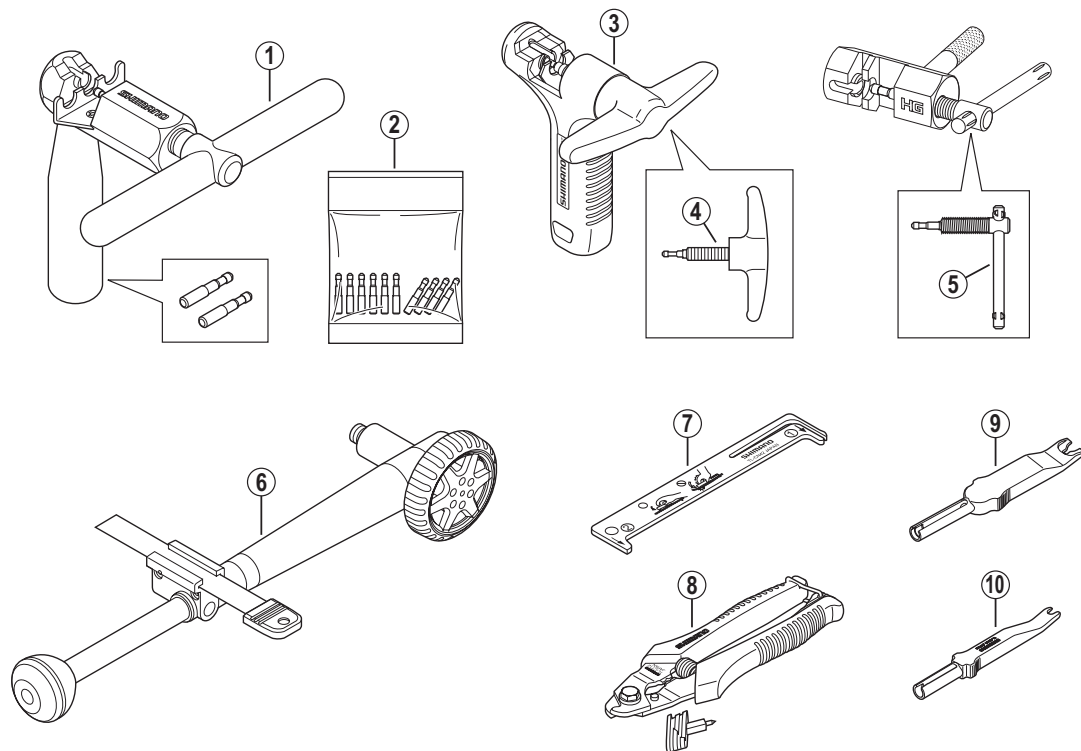


SPECIAL TOOL (4)

Others



ITEM NO.	SHIMANO CODE NO.	MODEL NO.	DESCRIPTION
1	Y13098550	TL-CN34	Chain Cutter w/Spare Pins (2 pcs.) 11-Speed Compatible
	Y13098490	TL-CN33	Chain Cutter w/Spare Pins (2 pcs.)
2	Y13098551	For TL-CN34	Spare Pins (10 pcs.)
	Y13098491	For TL-CN33	Spare Pins (10 pcs.)
3	Y13098500	TL-CN28	Chain Cutter for IG / HG / UG Chain (11-Speed Compatible)
	Y13098180	TL-CN27	Chain Cutter for IG / HG / UG Chain
4	Y13098190	For TL-CN28/CN27	Spare Arrow (Option)
5	Y13098170	For TL-CN23	Spare Arrow (Option)
6	Y13098270	TL-RD11	Dropout Alignment Tool
7	Y12160000	TL-CN42	Chain Wear Indicator
8	Y09898010	TL-CT12	Cable Cutter w/Liner needle
9	Y7CY02000	TL-EW01	Plug Tool
10	Y6VE16000	TL-EW02	Plug Tool

Mar.-2013-3637
© Shimano Inc. I