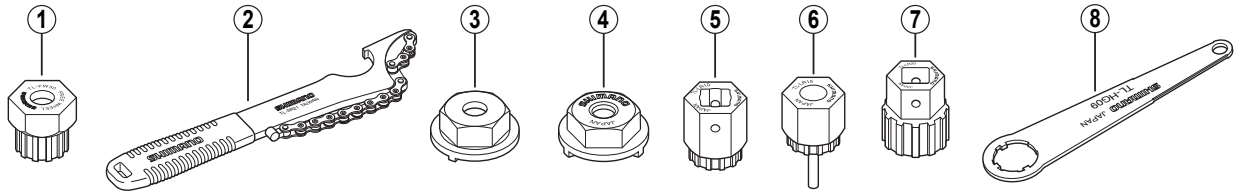


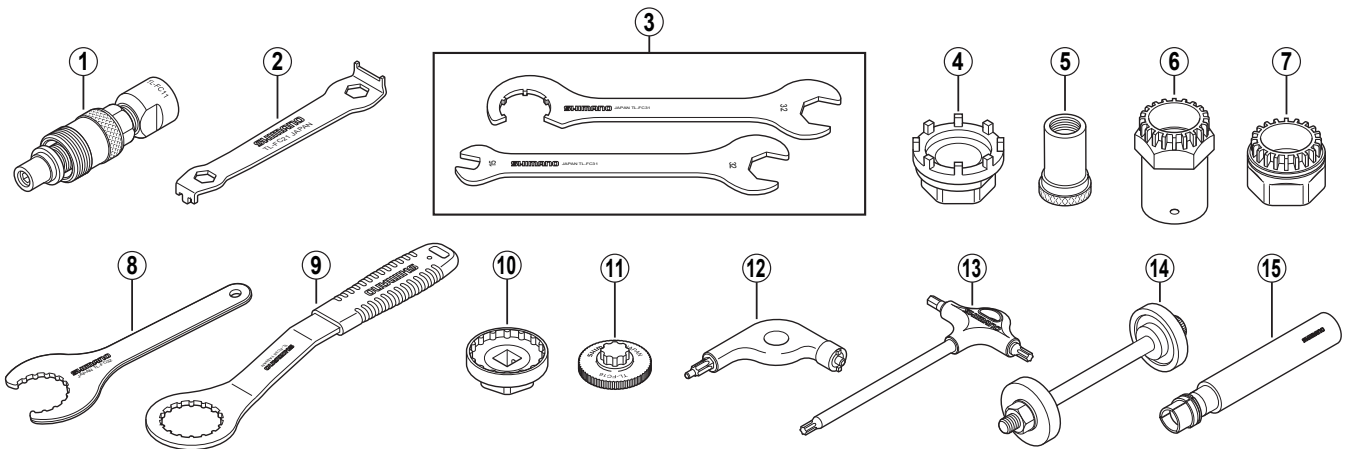
SPECIAL TOOL (1)

Freewheel / Rotor Tool



ITEM NO.	SHIMANO CODE NO.	MODEL NO.	DESCRIPTION
1	Y-120 09050	TL-FW30	Multiple Freewheel Removal Tool for MF-7400/6208/Z012/Z015/1600/HG20/HG22
2	Y-121 89000	TL-SR21	Sprocket (1/2" x 3/32") Removal Tool
	Y-121 89010	TL-SR22	Sprocket (1/2" x 1/8") Removal Tool
* 3	Y-120 0904T	TL-FW40	Single Freewheel Removal Tool
4	Y-120 09150	TL-FW45	BMX Freewheel Removal Tool
5	Y-120 09220	TL-LR10	Lock Ring Removal Tool for Rotor SM-RT96/RT77/Cassette Sprocket (Impact Wrench)
6	Y-120 09230	TL-LR15	Lock Ring Removal Tool for Rotor SM-RT96/RT77/Cassette Sprocket
7	Y-25U 15000	TL-LR20	Lock Ring Removal Tool for Rotor SM-RT80 (Impact Wrench)
8	Y-1Z7 02000	TL-HG09	Lock Ring Removal Tool for CS-HG70-S

Front Chainwheel Tool



ITEM NO.	SHIMANO CODE NO.	MODEL NO.	DESCRIPTION
* 1	Y-130 98210	TL-FC11	Cotterless Crank Extractor
* 2	Y-130 09700	TL-FC21	Peg Spanner
3	Y-130 98100	TL-FC31	Spanner Set for Bottom Bracket Parts / Head Parts / Pedal
4	Y-130 09072	TL-UN96	Special Tool A for Front Chainwheel / Bottom Bracket Parts
5	Y-130 09071		Special Tool B for Front Chainwheel
6	Y-130 09075	TL-UN66	Adapter Removal Tool for Cartridge-Type Bottom Bracket Parts (Impact Wrench)
7	Y-130 09073	TL-UN74-S	Adapter Removal Tool for Cartridge-Type Bottom Bracket Parts
8	Y-130 09210	TL-FC32	Adapter Removal Tool
* 9	Y-130 98000	TL-FC36	Adapter Removal Tool
10	Y-130 09230	TL-FC33	Adapter Removal Tool (Impact Wrench)
11	Y-130 09220	TL-FC16	Crank Arm Removal Tool for FC-7800/M960/M800/M760/M761
* 12	Y-130 98240	TL-FC22	HEX Wrench T40
* 13	Y-130 98230	TL-FC23	HEX Wrench T30
* 14	Y-130 98250	TL-BB12	Press Fit BB Installation Tool
* 15	Y-130 98260	TL-BB13	Press Fit BB Removal Tool

0808-2156D