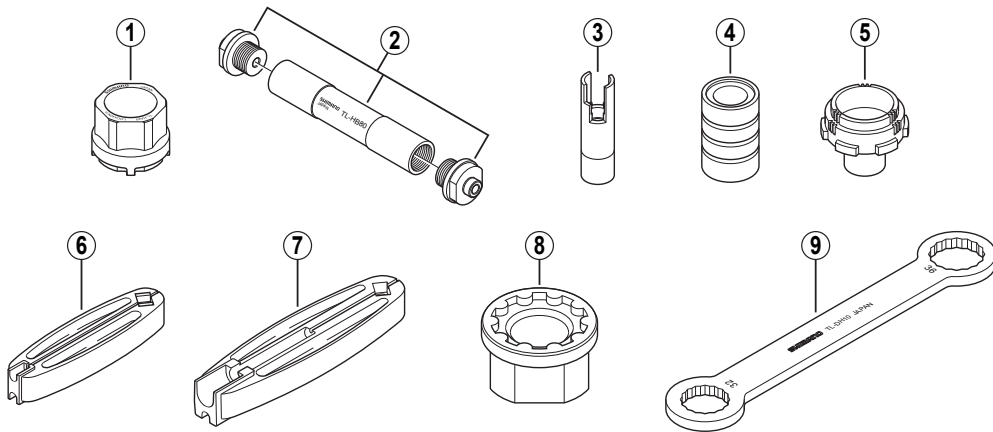


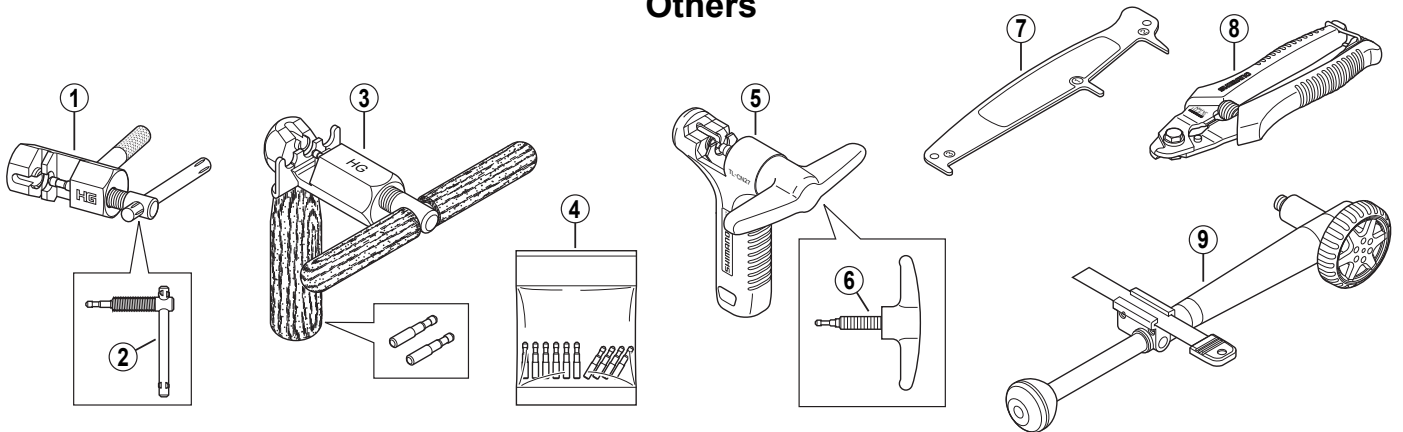
SPECIAL TOOL (3)

Hub Tool



ITEM NO.	SHIMANO CODE NO.	MODEL NO.	DESCRIPTION
1	Y-25U 14000	TL-HA20	Cup Removal Tool for HB-M800/FH-M800
2	Y-25U 17000	TL-HB80	Hub Setting Tool for HB-M800
3	Y-708 00100	TL-8S10	Right Hand Cone Removal Tool for SG-8R20/8R25
4	Y-708 00200	TL-8S20	Right Hand Cone Installation Tool for SG-8R20/8R25
5	Y-708 00300	TL-8S30	Carrier Unit Tool for SG-8R20/8R25
6	Y-708 98010	TL-CJ10	Cable Adjusting Tool (90 mm/101 mm) for Internal Hub
7	Y-708 98020	TL-CJ40	Cable Adjusting Tool (101 mm/127 mm) for Internal Hub
8	Y-20W00110	TL-FH81	Right Hand Adapter Removal Tool for FH-C810/C811
9	Y-120 09000	TL-DH10	Cap Removal Tool for Hub Dynamo

Others



ITEM NO.	SHIMANO CODE NO.	MODEL NO.	DESCRIPTION
1	Y-130 98140		Chain Cutter for IG / HG / UG Chain
2	Y-130 98170	TL-CN23	Spare Arrow (Option)
3	Y-130 98150	TL-CN32	Chain Cutter w/Spare Pins (2 pcs.) for IG / HG / UG Chain
4	Y-130 98160		Spare Pins (10 pcs.)
5	Y-130 98180		Chain Cutter for IG / HG / UG Chain
6	Y-130 98190	TL-CN27	Spare Arrow (Option)
7	Y-121 52000	TL-CN41	Chain Wear Indicator
* 8	Y-098 98000	TL-CT11	Cable Cutter
* 9	Y-130 98270	TL-RD11	Dropout Alignment Tool

0808-2328D