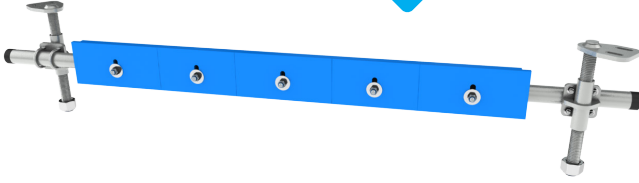


## RacloFlex DP



## RacloFlex DP HD

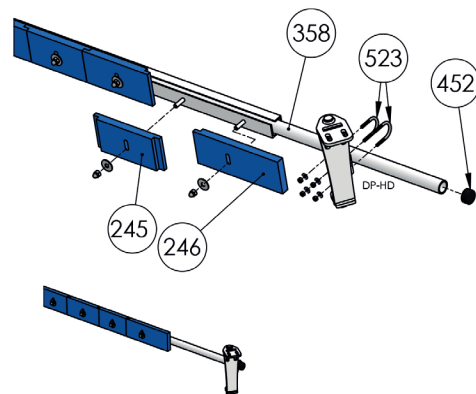
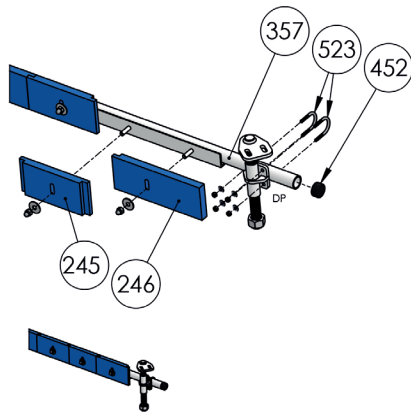


03/2023

### TECHNICAL DATA SHEET

Position	Internal cleaner Diagonal plough
1 or 2 ways working	2 ways
Maximum speed	<ul style="list-style-type: none"> <li>DP: 3m/s</li> <li>DP-HD: 5m/s</li> </ul>
Blade type	V-shape segmented mono blade
Tension	Gravity slide
Wear compensation	Automatic gravity pressure + manual adjustment
Pressure	Gravity
Blade fixing	Bolted
Polyurethane quality	25mm <sup>3</sup> ISO4649
Structure quality	Steel ST37 Zinc plated (optional stainless steel)
Shaft size	Ø42,4 th.4
Bolts quality	Stainless steel
Ambient temperature range	-10°C / +50°C wet / +70° dry
Product temperature range	0°C / +50°C

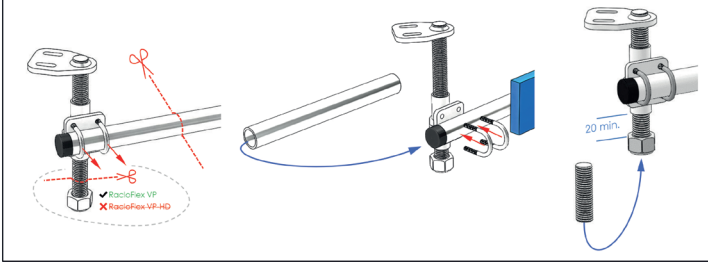
## RacloFlex DP

 Spare Parts  
 SPRF 170710 151 - EN


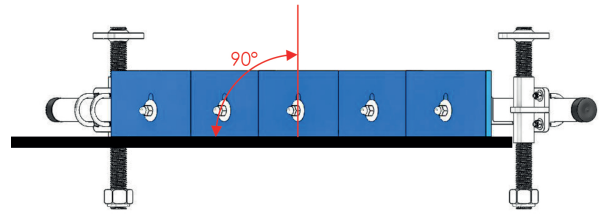
N°	Designation	Quality	Variant(s)	Belt	Structure size	Structure Ref.	Blade Module A Qty	Blade Module B Qty
245	Blade Module A	PUR						
246	Blade Module B	PUR						
357	Structure DP	Galva. ST	377: SST	500	500/650	357	3	
358	Structure DP-HD	Galva. ST	378: SST	650	500/650	357	1	2
				800	800/1000	357	5	
				1000	800/1000	357	3	2
451	MultiTool wrench	Galva. ST		1200	1200/1400	357	7	
452	Cap	Galva. ST		1400	1200/1400	357	5	2
				1600	1600/1800	358	9	
455	Shift ring	Galva. ST	475: SST	1800	1600/1800	358	7	2
				2000	2000/2200	358	11	
523	U42 bolt	Galva. ST	533: SST	2200	2000/2200	358	9	2

# INSTRUCTIONS

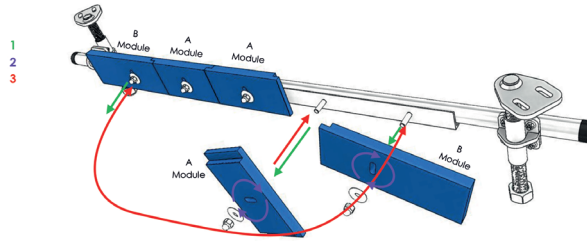
## Axes et réglage de la largeur / Axles and width adjustment / Achsen und Breitereinstellung



## Réglage de l'angle / Angle adjustment / Winkelverstellung



**Si Modules B présents: les échanger lors du retournement à 180°**  
**If B Modules are present: Swap them when turning at 180° adjustment**  
**Wenn modul B vorhanden sind, müssen sie beim 180° drehen miteinander ausgetauscht werden**



## Dimensions

