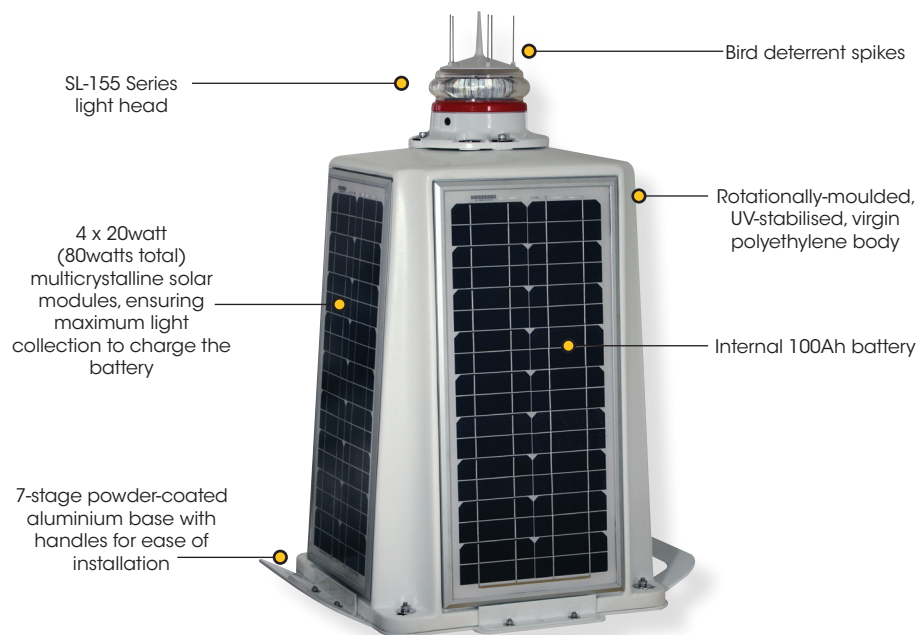
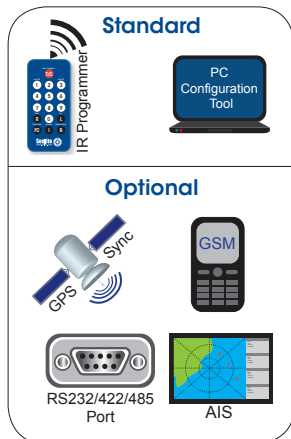


6-12NM Solar Marine Lantern

SL-C600

V1_2015



The Sealite Advantage

- Up to 12NM visible range
- Multiple lens divergences for fixed or floating applications
- Complete unit — ready for immediate installation
- Impact & weather resistant polyethylene
- Handles on the base for ease of installation
- PC or IR Programmer for setup, diagnostic & testing

The SL-C600, one of the world's largest self-contained LED lanterns, is a 6-12NM Solar LED Marine Lantern designed for a range of low-maintenance applications.

The light boasts a large internal battery compartment, a SL-155 light-head and 4 premium-grade 20 watt solar modules mounted to collect sunlight at all angles.

The SL-C600 is moulded from UV-stabilised, virgin polyethylene, providing enormous impact and weather resistance, in addition to high visibility IALA colours.

The user-friendly, 2-piece design allows the lantern to be opened for convenient battery inspection or replacement whilst the base remains fixed to the supporting structure.

Advanced PC or IR Programming

Sealite's convenient PC Configuration Tool or IR programmer allows a host of features to be user set including:

- Multiple intensity settings
- 310 flash settings including custom character
- Automatic effective intensity adjustment
- Adjustable on/off lux levels
- Low battery threshold
- GPS synchronisation offset
- Alarm conditions

Optional GPS Synchronisation

The SL-C600 may be fitted with an optional GPS module for flash synchronisation.

Optional GSM Monitoring & Control System

The SL-C600 lanterns may also be fitted with a GSM Cell-Phone Monitoring and Control System - enabling users to access real-time diagnostics data and change lantern settings via cell-phone. The system can also be configured to send out alarm SMS text messages to designated cellular telephone numbers. Users can also have alarms and reports sent to designated email addresses.

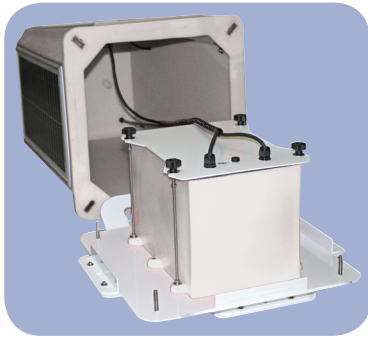
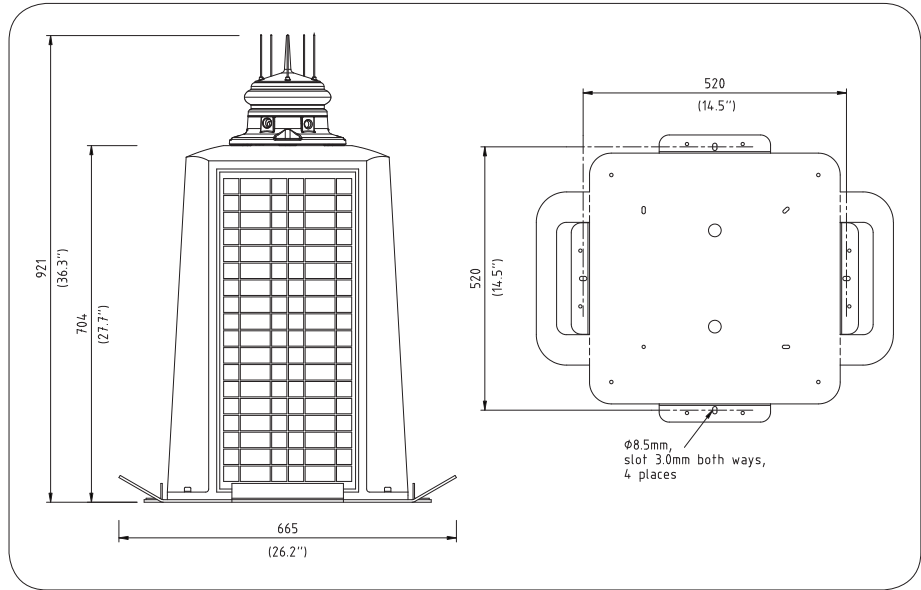
Optional Type 1 or Type 3 AIS

The SL-C600 lanterns are available with a class-leading integrated, low-powered Type 1 or Type 3 AIS. When fitted, the AIS is encapsulated within the body of the SL-155 to maintain the weatherproof integrity.

6-12NM Solar Marine Lantern

SL-C600

V1_2015



Convenient battery replacement



SPECIFICATIONS * SL-C600

Light Characteristics

Light Source SL-155-2.5D/5D/10D lantern
 Available Colours Red, Green, White, Yellow
 Typical Maximum Intensity (cd)† Refer to Typical Maximum Intensity Table for SL-155 Series Lanterns
 Visible Range (NM) AT @ 0.74: 6-12
 AT @ 0.85: 7.8-17.4

Horizontal Output (degrees) 0° - 360°
 Vertical Divergence (degrees) 2.5°, 5° or 10°
 Available Flash Characteristics Up to 310 including 256 IALA recommended, & 1 custom
 Intensity Adjustments User adjustable
 LED Life Expectancy (hours) >100,000

Electrical Characteristics

Current Draw (mA) Refer to Sealite Power Calculator
 Power (W) Refer to Sealite Power Calculator
 Circuit Protection Polarity protected
 Nominal Voltage (VDC) 12
 Autonomy (days) >20 (14 hour darkness, 12.5% duty cycle)
 Temperature Range -40 to 80°C

Solar Characteristics

Solar Module Type Multicrystalline
 Output (watts) 80 (4 x 20watt)
 Charging Regulation Microprocessor controlled

Power Supply

Battery Type Gel SLA
 Battery Capacity (Ah) 100
 Nominal Voltage (V) 12

Physical Characteristics

Body Material Rotationally-moulded UV-stabilised virgin polyethylene
 Lens Material UV-stabilised acrylic
 Lens Diameter (mm/inches) From 171 / 6¾
 Lens Design Multiple LED optic
 Mounting 4 x 11mm mounting holes
 Height (mm/inches) From 813 / 32
 Width (mm/inches) 665 / 26¼
 Mass (kg/lbs) From 50 / 110
 Product Life Expectancy Up to 12 years

Certifications

CE EN61000-6-3:1997, EN61000-6-1:1997
 IALA Signal colours compliant to IALA E-200-1
 Quality Assurance ISO9001:2008
 Waterproof IP68 light-head

Intellectual Property

Trademarks

Warranty *

Options Available

Refer to Sealite Power Calculator

Refer to Sealite Power Calculator

Refer to Sealite Power Calculator

Refer to Sealite Power Calculator

Refer to Sealite Power Calculator

Refer to Sealite Power Calculator

Refer to Sealite Power Calculator

Refer to Sealite Power Calculator

Refer to Sealite Power Calculator

Refer to Sealite Power Calculator

Refer to Sealite Power Calculator

Refer to Sealite Power Calculator

Refer to Sealite Power Calculator

Refer to Sealite Power Calculator

Refer to Sealite Power Calculator

Refer to Sealite Power Calculator

Refer to Sealite Power Calculator

Refer to Sealite Power Calculator

Refer to Sealite Power Calculator

Refer to Sealite Power Calculator

Refer to Sealite Power Calculator

Refer to Sealite Power Calculator

Refer to Sealite Power Calculator

Refer to Sealite Power Calculator

Refer to Sealite Power Calculator

Refer to Sealite Power Calculator

Refer to Sealite Power Calculator

Refer to Sealite Power Calculator

Refer to Sealite Power Calculator

Refer to Sealite Power Calculator

Refer to Sealite Power Calculator

Refer to Sealite Power Calculator

Refer to Sealite Power Calculator

Refer to Sealite Power Calculator

Refer to Sealite Power Calculator

Refer to Sealite Power Calculator

Refer to Sealite Power Calculator

Refer to Sealite Power Calculator

Refer to Sealite Power Calculator

Refer to Sealite Power Calculator

Refer to Sealite Power Calculator

Refer to Sealite Power Calculator

Refer to Sealite Power Calculator

Refer to Sealite Power Calculator

Refer to Sealite Power Calculator

Refer to Sealite Power Calculator

Refer to Sealite Power Calculator

Refer to Sealite Power Calculator

Refer to Sealite Power Calculator

Refer to Sealite Power Calculator

Refer to Sealite Power Calculator



* Specifications subject to change or variation without notice
 * Subject to standard terms and conditions
 † Intensity setting subject to solar availability