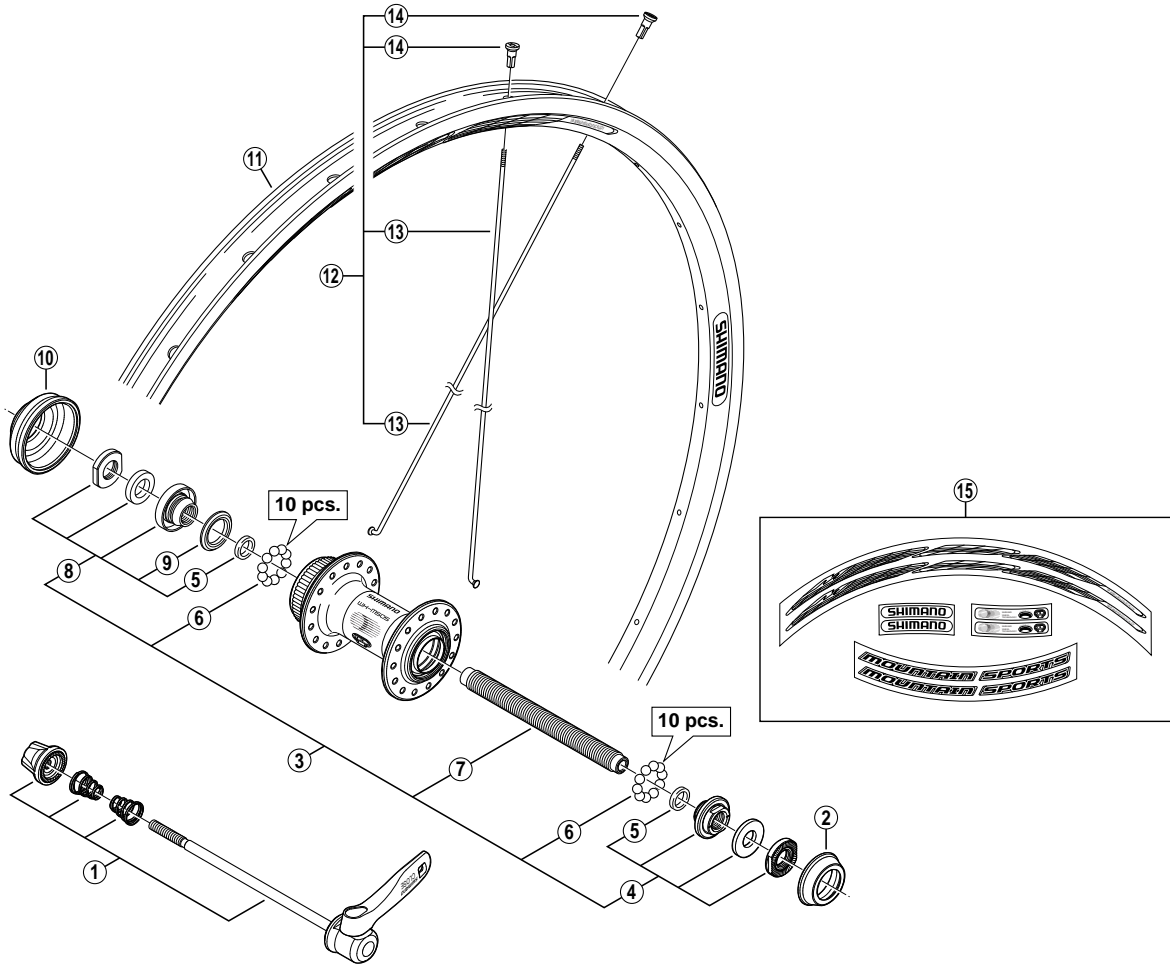


Front Wheel WH-M505-F WH-M505-L-F



• Over Lock Nut Dimension: 100 mm (3-15/16")

ITEM NO.	SHIMANO CODE NO.	DESCRIPTION	INTERCHANGEABILITY
1	Y-24P 98010	Complete Quick Release 133 mm (5-1/4")	A
2	Y-21H 04200	Rubber Seal	
3	Y-4CH98040	Complete Hub Axle 108 mm (4-1/4")	
4	Y-4CH98050	Right Hand Lock Nut Unit	
5	Y-2T8 04000	O-Ring	A
6	Y-000 91210	Steel Ball (3/16") 20 pcs.	
7	Y-25W03000	Hub Axle 108 mm (4-1/4")	B
8	Y-2T8 98030	Left Hand Lock Nut Unit	
9	Y-214 06000	Left Hand Seal Ring	A
10	Y-25Y 06000	Rotor Mount Cover	A
11	E-WHRIM1KCBC	Rim for WH-M505 {28H / Black / Anodized / Clincher}	
	E-WHRIM1LCBC	Rim for WH-M505-L {Disc Brake Only / 28H / Black / Anodized / Clincher}	
12	E-WHSP0KE1LC1	Spoke Unit {Spoke (254 mm x 28 pcs.) / Nipple (28 pcs.)}	
13	Y-012 34545	Spoke (254 mm)	
14	Y-012 Y4341	Nipple	
15	Y-4CH98010	Rim Sticker Unit for WH-M505	
	Y-4CH98020	Rim Sticker Unit for WH-M505-L	

A: Same parts.

B: Parts are usable, but differ in materials, appearance, finish, size, etc.

Absence of mark indicates non-interchangeability.

WH-M565

0807-2569A

Specifications are subject to change without notice.

SHIMANO