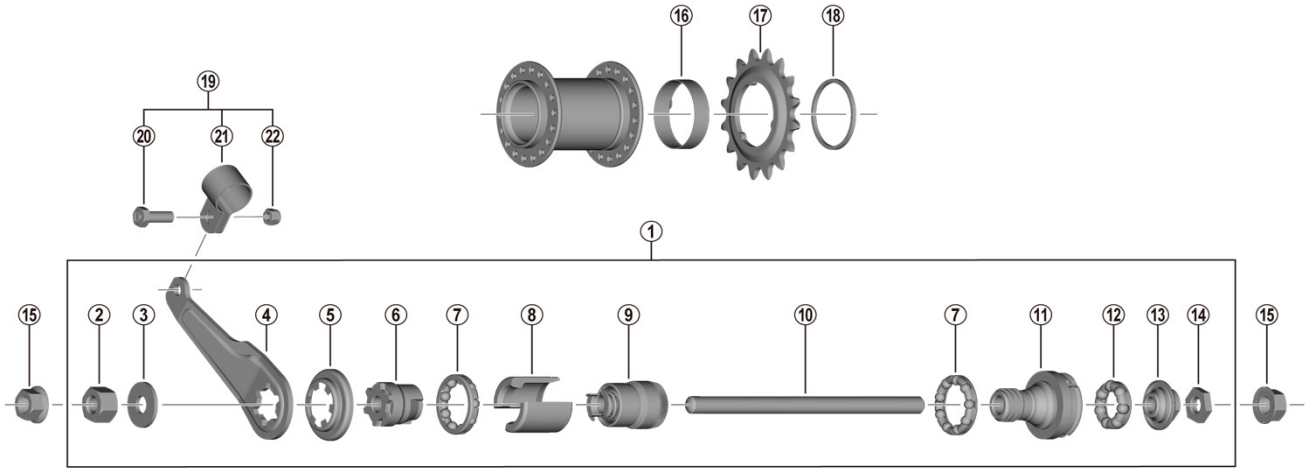


COASTER BRAKE CB-E110 E-Type



ITEM NO.	SHIMANO CODE NO.	DESCRIPTION
*	Y28698100	Internal Kit (145 mm)
*	Y28698110	Internal Kit (150 mm)
* 1	Y28698120	Internal Kit (158 mm)
*	Y28698130	Internal Kit (165 mm)
*	Y28698140	Internal Kit (185 mm)
2	Y28309001	Arm Nut
3	Y28316001	Arm Washer
* 4	Y28614010	Brake Arm
* 5	Y28611010	Left Hand Dust Cap
6	Y28608000	Brake Cone
7	Y28290050	Ball Retainer C (7/32" x 9)
8	Y28698060	Brake Shoe (2 pcs.)
* 9	Y28698150	Clutch Cone Unit
*	Y28601100	Hub Axle (3/8" x 145 mm)
*	Y28601500	Hub Axle (3/8" x 150 mm)
10	Y28601200	Hub Axle (3/8" x 158 mm)
*	Y28601300	Hub Axle (3/8" x 165 mm)
*	Y28601600	Hub Axle (3/8" x 185 mm)
11	Y28604000	Driver
12	Y32190220	Ball Retainer A (1/4" x 7)
* 13	Y28698160	Cone w/Dust Cap
14	Y28121000	Lock Nut 4 mm
15	Y28615000	Flange Nut
* 16	Y28610300	Right Hand Dust Cap
*	Y73T01530	Sprocket Wheel 15T (Flat Gear)
*	Y73T11630	Sprocket Wheel 16T
* 17	Y73T21830	Sprocket Wheel 18T
*	Y73T21930	Sprocket Wheel 19T
*	Y73T22030	Sprocket Wheel 20T
* 18	Y32520110	Snap Ring
* 19	Y33F98090	Brake Arm Clip Unit (5/8")
*	Y33F98100	Brake Arm Clip Unit (3/4")
* 20	Y75M06000	Clip Bolt (M6 x 14 mm)
*	Y28289210	Brake Arm Clip (5/8")
*	Y28289410	Brake Arm Clip (3/4")
* 22	Y31727200	Clip Nut (M6)

Jun.-2020-0814B
© Shimano Inc. I

Specifications are subject to change without notice.

SHIMANO