



the Trade Supporter

Cooling System Solutions

BNT have got you covered



See inside for details

See Page 3

CLUTCHPRO

Bonus
Tape Measure



See Page 8

TRIDON

Bonus
Smart Watch



See Page 10

FRAM

Bonus
Peanut Slab



Bonus
Remington Shaver



See Page 5 for details

Bonus
Table & Chair
Beach Set



See Page 11 for details

**Deals of
the month**

See Page 20



SPECIAL CHILDREN'S *Xmas Party*

We are proud to support the Special Children's Christmas Party...a day which puts big smiles on over 2,000 little faces and gives them a day many of them don't normally receive, but one that they truly deserve.

These children haven't had the best start to life, so they enjoy a day where they feel like the lucky ones for a change! A day filled with celebrities, food, presents, entertainment and activities.... and most importantly big smiles! Amongst others, an SPCA petting zoo, rides including a Thomas the Tank engine train ride, all the food they could handle...and of course Father Christmas with over 8,000 presents in his toy cave combine to make a memorable day for these children!



In July this year the Bapcor Group commenced the process to find a common language to express the values and beliefs that have always been at the heart of BNT and the wider Group. We engaged over one hundred team members, across nine workshops in Australia and New Zealand and then collated the feedback to form Our Values:

Our Values



We give a damn...

We care about what we do and are proud of how we do it. We are passionate and make a difference.



We are in it together...

We're part of the Bapcor family. We support each other, include everyone and have fun along the way.



We get it done...

We use our unique talents to find solutions and achieve common goals. We celebrate success and strive to win.



We do the right thing...

We are open, honest and respectful. We do what we say and say what we do.

Follow us on LinkedIn: [linkedin.com/company/bapcor-nz-limited](https://www.linkedin.com/company/bapcor-nz-limited)

December & January
GIVEAWAY

CLUTCHPRO
CLUTCH KITS & COMPONENTS

MEASURE UP WITH CLUTCHPRO & BNT!

Purchase any ClutchPro Clutch Kit & receive a **BONUS** Tape Measure

Limited offer while stocks last



CLUTCHPRO

ClutchPro is Australasia's leading supplier of OE quality replacement clutch kits, hydraulics, flywheels and accessories. With over 7000 applications across the range, an extensive technical support network and the highest quality standards, **ClutchPro** is your replacement clutch and flywheel specialist.



CLUTCHPRO COMMERCIAL

ClutchPro Commercial specialises in medium to heavy commercial vehicle clutch systems. With over 2200 applications and a complete range of hydraulics, accessories and tools, **ClutchPro Commercial** has your truck and van needs covered.



CLUTCHTECH

Clutch fork lubrication is a critical and often overlooked part of a clutch replacement. Learn the process required for this in the ACS technical support bulletin.

Clutch Fork Lubrication



Scan this QR code to download this Tech Bulletin

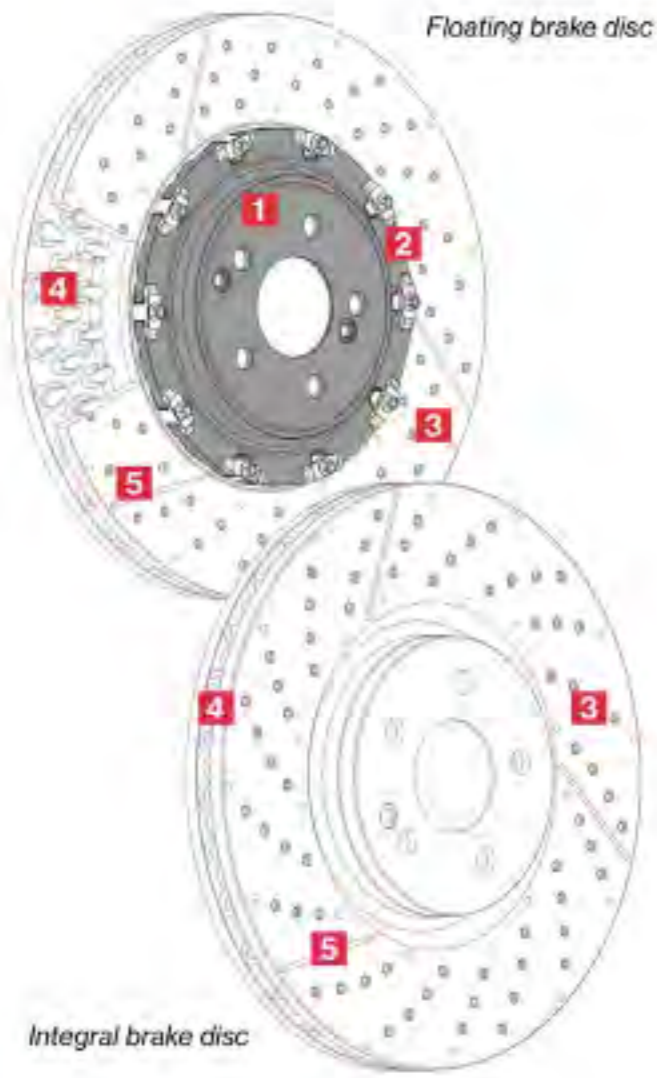


BREMBO: QUALITY FOR THE AFTERMARKET

All Brembo factories produce components for the Original Equipment and Aftermarket with the same attention to detail and are approved according to the strictest standards. Brembo offers to the Aftermarket professional brake discs

which equivalent to the originals, as they are developed with the technical specifications of the vehicle on which they will be fitted. Our range of spare parts covers over 96% of all vehicles on the road today.

BRAKE DISCS



UV PAINTING

A new wider and constantly updated range, new technology developed in collaboration with car manufacturers for more practical fitting procedures and greater resistance to corrosion.



PILLAR VENTING TECHNOLOGY

Exclusive system which enhances cooling potential and increases disc resistance by over 40%.



HIGH CARBON

Cast iron disc with a high carbon content, to minimise vibration and noise while optimising performance and enhancing driving comfort.



DISCS WITH BEARING

Discs with bearings pre-assembled in the factory, ready to be fitted, saving a great deal of time and effort.



SCREW KIT

Fixing bolts included in the disc package for easier, safer and more efficient fitting procedures.

PREMIUM RANGE

Components for high-end cars require a carefully customized technical approach and innovative solutions. These characteristics were traditionally developed and offered by carmakers. This is changing today with the launch of Brembo's dedicated range of Aftermarket

integral and composite brake discs (including floating discs). Brembo is now bringing its exclusive expertise as a supplier of top-of-the-range braking systems to the design and manufacture of Aftermarket components for high-end cars.

1 ALLUMINIUM HUB

The hub produced in a different material than the braking surface allows a considerable weight reduction of the disc, with benefits in terms of performance and emission reduction.

2 BRAKING SURFACE-HUB CONNECTION

It allows the braking surface of floating discs to expand without causing permanent deformation.

3 ALLOY CAST IRON BRAKING SURFACE

The use of special alloy cast iron with high carbon content guarantees the best performance even in the most extreme conditions.

4 MORE PERFORMING VENTING

The use of the Brembo pillar ventilation or, alternatively, an oriented ventilation, allows better cooling of the disc and, in the case of the pillar, a greater crack resistance.

5 GROOVE / DRILL

The use of holes and/or grooves on the braking surface gives the following advantages:

- continuous revitalization of the friction material
- improved cooling
- improved behaviour in wet conditions



Floating brake disc
(Mercedes AMG, Nissan GTR, etc.)



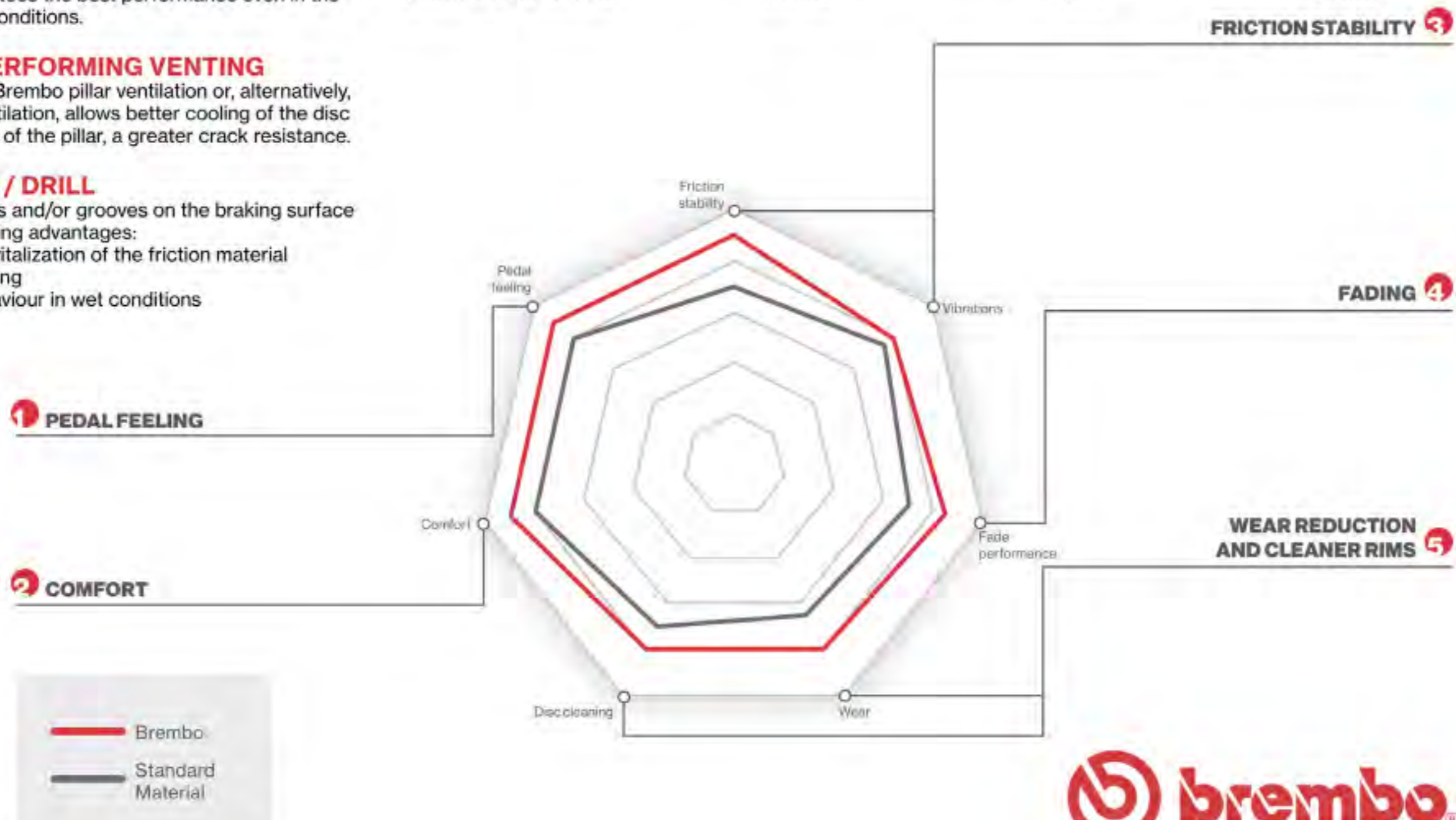
Integral brake disc
(Mercedes)



Composite brake disc
(BMW)



Co-cast disc
(Mercedes)



SCORE YOURSELF A
BONUS

REMINGTON STYLE SERIES
R4 ROTARY SHAVER
FROM BENDIX

Buy 8 or more sets of Bendix Euro+ over 1 month to get a **BONUS Remington Style Series R4 Rotary Shaver!**



GET QUICK AND PRECISE RESULTS, WET OR DRY, WITH THE REMINGTON STYLE SERIES R4 ROTARY SHAVER.

- Japanese stainless steel dual track blades
- Active Contour design for close contact on neck and chin
- Comfort Pivot Head features slots and dots pattern for shaving longer scruff and shorter stubble
- Stubble styler for a 3-day stubble look
- Pop up trimmer
- Charging indicator light
- Up to 60 minutes of cordless runtime
- Worldwide voltage
- 100% waterproof, use wet or dry
- Includes stubble styler and cleaning brush



- Low Dust Ceramic Formulation
- Blue Titanium Stripe means no bedding in
- Meets ECE Regulation 90

PROMOTIONAL PERIOD:
01/12/2019 to 31/01/2020
While stocks last

Find solutions for every brake job at **BNT**

Bendix is a trademark of Honeywell International Inc.

Put your foot down
with confidence™



Radiator Hoses

Dayco Radiator and Engine Coolant Hoses are now available from BNT!

These Premium quality Dayco moulded coolant hoses are designed to replace original equipment manufacturer's hoses. They are built with knitted reinforcement and EPDM construction which provides high strength and resistance to oil, mud, salt, road debris, ozone, coolants and large temperature variations that are required for OEM hose replacements.

The inner base tube is reinforced with knitted rayon for maximum strength and burst resistance for the life of the hose. In addition to meeting SAE J20R4, Class D-1 requirements, they are also designed to meet Type EC electro-chemical requirements as specified in SAE J1684.



Dayco "S" Bend Universal Coolant Hoses.

Given the complexity and the large number of water hoses that are on today's engines, these "S" bend multi fits will allow you the freedom to use a single hose to fit a multitude of applications by simply bending it to the required shape. The range covers all popular small-bore I.D.'s from 6mm-25mm for use in coolant fluid applications such as heater, manifolds and radiator.

"S" bends are manufactured from the same material as the Premium Dayco moulded radiator hoses.

Note: Coolant hosing is not suitable for Fuel, Oil or Brake Fluid.

Introductory Offer

"S" Hose Pack 6-16mm

Contains:
 DSHB6 6mm
 DSHB8 8mm
 DSHB10 10mm
 DSHB12 12mm
 DSHB15 15mm

Part no. SBAG1

\$52 each



"S" Hose Pack 6-25mm

Contains:
 DSHB6 6mm
 DSHB8 8mm
 DSHB10 10mm
 DSHB12 12mm
 DSHB15 15mm
 DSHB19 19mm
 DSHB25 25mm

Part no. SBAG2

\$79 each



Dayco "S" Bend Universal Coolant Hoses are also available individually.



Now available from BNT

BNT now have available the comprehensive Fenix range of radiators - selected branches are now holding stock of the most popular references. All branches have access to well over 1000 further references for vehicles ranged in NZ.

With the addition now of radiators this further compliments BNT's engine cooling offer of coolants, water pumps, coolant hosing, thermostats and radiator caps. The Fenix brand has been servicing the NZ radiator market for over 15 years with a comprehensive range that covers Japanese, European, Korean and American vehicles found on New Zealand roads today.

All Fenix radiators are designed to meet or exceed OE specifications, and all standard replacement radiators come with 2 year or 50,000km warranty (whichever occurs first). Next time a replacement radiator is required in your workshop, check BNT out first.

SPECIAL

For the months of December & January, with every Fenix radiator purchased pay only \$27.00 for any one of these 4.5 litre RADTECH engine coolants. (RX300-4.5L, RX450-4.5L, RX450R-4.5L, RXB500-4.5L, RTRG12-4.5L)



KEEP COOL THIS SUMMER!
Tridon has the complete range to satisfy your cooling requirements.

TRIDON ▶

Specifications:

- 1.3" IPS Colour Display
- IP67 Water resistance
- Multi-sport Mode
- Built-in Heart Rate sensor
- Monitor your daily activity and sleep
- Display SMS, emails and social media activity



**BONUS
SMART
WATCH**

RADIATOR CAPS



Part no.	Top Selling Radiator caps	Part no. TRP20
CB1390-10	Tridon Small Japanese Recovery Cap Bulk pack 10 units	\$139⁹⁵ with Bonus Watch
CC1390-10	Tridon Extra Small Japanese Recovery Cap Bulk pack 10 units	

THERMOSTATS



Part no.	Top Selling Thermostats	Part no. TTP10
TT214-180	Tridon Thermostat, many applications 5 pieces	\$139⁹⁵ with Bonus Watch
TT240-180	Tridon Thermostat, many applications 5 pieces	

HOSE CLAMPS



Part no.	Size Range	Qty	Part no.	Size Range	Qty
MH004	6-16mm	30	HS016	21-38mm	10
MH006	11-12mm	30	HS020	21-44mm	10
HS010	14-27mm	20	HS024	27-51mm	10
HS012	18-32mm	20	Bonus Watch		1

Bonus Watch stocks are limited.



TRIDON ▶

COOLING RANGE

As the weather heats up it's time to ensure that your cooling system is performing at it's best. Tridon offers a complete range of thermostats and caps to satisfy your cooling requirements.

Factory calibrated, Tridon thermostats are designed to meet or exceed OE Specifications and provide unrivalled quality in the market. By installing quality Tridon products you can avoid breakdowns or potential major engine damage. The full range includes conventional, bypass, housing type and electronic type.

Because the Thermostat must work in synergy with other vehicle cooling components it is essential the Thermostat performs correctly for the vehicles temperature to operate at optimum.

Tridon offer the broadest aftermarket Thermostat and Radiator cap coverage for our complicated market. This quality range is continually researched and expanded by a team of product specialists

Tridon, a well-respected brand name offering quality products to the Trade for many years also offer ongoing improvement when identified, as an example: a late model

O.E plastic thermostat seated directly above the block experienced ongoing cracking issues Tridon now offer an aluminium version to resolve this issue.

Tridon products are available at all BNT stores nation wide

All Tridon parts are applicate via the Tridon website and other popular Electronic automotive catalogues to suit individual vehicles



Motorgear Water Pumps

Motorgear water pumps are made to high standards with quality bearings, seals, and brand new precision machined housings. They are a low cost durable stock replacement, designed to meet OEM specifications.

- Maximum flow and coolant distribution
- High quality OEM-standard components
- Durability-tested bearings and seals
- Precision machined housings
- Over 1,500 vehicle models covered
- Low cost value
- Exclusive to BNT



Motorgear Timing Belt Kits

The Motorgear range is made to exacting standards, using quality components from well-known German and Japanese manufacturers.

Designed to meet or exceed OEM specifications, at an affordable price.

- Includes belt, tensioner, idler pulley and seals
- High quality OEM-standard components
- Affordable price
- Common vehicle applications
- Exclusive to BNT



FRAM PEANUT SLABS!

Purchase any 12 FRAM Filters on one invoice during Dec & Jan to instantly receive a Bonus Whittaker's Peanut Slab!

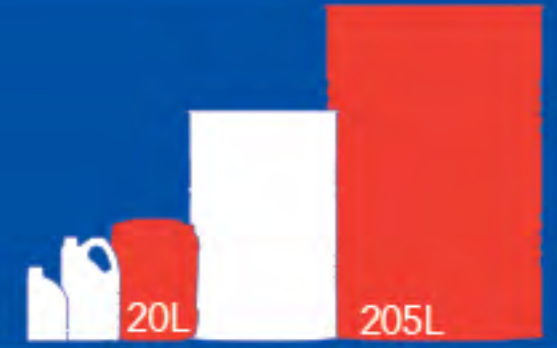


PROMOTION PERIOD DECEMBER 2019 - JANUARY 2020 - WHILE STOCKS LAST!

WHY CHOOSE FRAM

- FRAM Protects New Car Warranty.
- FRAM provides 99% Efficiency on Tough Guard oil filters.
- FRAM Designs, Develops, Tests & Manufactures its own products.
- Easy-install Sure Grip feature, on selected applications.
- FRAM has been manufacturing filters since 1932.
- Local Support





Bonus

Table & Chair Beach Set

Simply purchase any combination of Fuchs Titan 205L & 20L products on one invoice and receive a bonus Table and Chair Beach Set.

While stocks last.



TITAN

GEAR MP 80

Multipurpose gear oil for synchronized and non-synchronized manual gearboxes as well as auxiliary drives, axles and differentials in commercial vehicles and passenger cars.

Available in 1L, 4L, 20L, 60L & 205L



TITAN

CFX SAE 15W-40

Multigrade high performance engine oil that provides excellent protection against wear with exceptional oil consumption control properties.

Available in 1L, 5L, 20L & 205L



TITAN

ATF 4400

Ultra High Performance ATF specifically formulated for Japanese passenger and light commercial vehicles, as well as transmissions used by several European and American manufacturers. Its high torque capacity exceeds the performance of many original fluids.

Available in 1L, 4L, 20L, 60L & 205L



TITAN

Supersyn F Eco-FE SAE 0W-30

Ultra high performance, extreme fuel-economy engine oil especially developed for modern Ford diesel engines. Excellent cold start behaviour and lower oil consumption.

Available in 5L, 20L & 205L



TITAN

SYN SN SAE 10W-40

A multigrade high performance engine oil that provides excellent protection against wear with exceptional oil consumption control properties.

Available in 5L, 20L & 205L



TITAN

FLEX 23 SAE 5W-30

Premium Performance, extreme fuel-economy engine oil with optimum cold start ability and outstanding performance reserves for modern passenger cars and light commercial vehicles with or without extended service intervals.

Available in 5L, 20L & 205L



Cooling System Problem Solvers

Radiator De-Oiler
Removes oil from cooling systems.
1 Litre

Part no. DEOILER

\$24⁹⁵ each



Cleaner & Sealer
Cleans and Seals ... Radiators, Hoses & Engines as you drive while providing protection against rust & corrosion. Also is compatible with all antifreezes and coolants. No more rust, corrosion or leaks.

Part no. SEALWELL

\$11⁹⁵ each



FiberLock
Permanently fixes and repairs: Head gaskets, engine blocks, cylinder heads, coolant leaks, etc. Will not repair damage caused by mechanical failure.

Part no. 1224

\$28⁹⁵ each



Radtech Radiator Flush
Cleans rust & sludge. Restores cooling system efficiency. Safe cleaning action.

Part no. RTRF-500

\$6⁹⁵ each



K-Seal Ultimate
Head Gasket Repair.
472ml

Part no. KSEALULT

\$56⁹⁵ each



Head Gasket Fix
One Step Head & Block Seal Permanent Fix
680g
Treats 4-8 Cyl Petrol or Diesel

Part no. 41111

\$49⁹⁵ each



K-Seal
Multi-purpose one step permanent coolant leak repair. No flushing, Just shake, pour and go. Mixes with all types of antifreeze.
236ml

Part no. KSEAL

\$18⁹⁵ each



K-Seal
Multi-purpose one step permanent coolant leak repair. No flushing, Just shake, pour and go. Mixes with all types of antifreeze.
472ml

Part no. KSEAL472ML

\$31⁹⁵ each



Polycrystalline Solar Panels

Polycrystalline panels generate greater power more efficiently. Ideal for charging larger batteries



12V 20W 1140mA Fixed Solar Panel
The ideal panel sizes to charge and maintain infrequently used batteries where 240V power is not easily accessible

Part no. SPP20

\$45 each



12V 60W 3430mA Fixed Solar Panel
These panels are ideal for charging large batteries and extending battery run time, suiting leisure vehicles and travelling

Part no. SPP60

\$99 each



12V 80W 4580mA Fixed Solar Panel
These panels are ideal for charging large batteries and extending battery run time, suiting leisure vehicles and travelling

Part no. SPP80

\$129 each

PROJECTA MORE SWITCHED ON

Solar Controller



Automatic 12V 8A 4 Stage Solar Charge Controller

- L.E.D charge Indicator
- Sealed electronics
- Plated screw termination & quick reference label for ease of connection
- Multi-chemistry – Set the charging profile to suit battery chemistry type: Wet, Calcium, AGM or Gel

Part no. SC008

\$45 each

Car Care & Consumables

Odor Buster AirCon Cleaner Florida Breeze

Eliminates odours caused by mould, mildew, pets, smoke and more.
Quick and easy to use.

Part no. 26296

\$21⁹⁵ each



Jumbo Car Wash Sponge

Ideal for cleaning car, home or boat. Super sudsing. Easy grip.

Part no. SPONGE

\$2⁹⁹ each



Premium Wheel Brush

Dual bristle loops for easy removal of dirt. Easy grip comfort handle.

Part no. KBWW

\$6⁹⁵ each



Chamois

Genuine Leather 2.5sq feet

Part no. 66KLC225

\$15⁹⁵ each



Michelin Digital Air/Tread Gauge

Measures air pressure and thread depth. Large digital display. Range: 5 to 99 PSI, 40 to 680 kPa, 0.4 to 6.80 BAR.

Accuracy: +/- 1%

Part no. MN-4203

\$37⁹⁵ each



Jelly Belly 3D Air Fresheners

The fabulous fresh n fruity scents of Jelly Belly. Long lasting fragrance. Supplied with plastic hook for easy hanging.

Part no. 15212 - Tangerine

Part no. 15214 - Blueberry

Part no. 15216 - Bubble Gum

Part no. 15220 - Green Apple

\$4⁹⁹ each



All Weather Mat Set

Deluxe 4 star rubber mats. Non slip backing. Universal fit. Front: 670mm x 455mm. Rear: 405mm x 330mm.

Part no. RM21B

\$19⁹⁵ each



Extenda Handle Flow-Thru Brush

Soft tip bristles. Adjustable telescopic handle - extends to 1.65M. Water control valve. Quick connect hose adaptor. Ideal for cleaning car, home or boat.

Part no. KBWEFT165

\$32⁹⁵ each



Large Heavy Duty Rubber Mat

Heavy duty hard wearing. Deep dish design to suit 4x4 vehicles. Anti-slip backing. Includes trim lines for a custom fit. Dimensions: 780mm x 600mm x 30mm.

Part no. LB10

\$15⁹⁵ each



Extenda Handle Flow-Thru Brush

Soft tip bristles. Adjustable telescopic handle - extends to 2.4M. Water control valve. Quick connect hose adaptor. Ideal for cleaning car, home or boat.

Part no. KBWEFT240

\$49⁹⁵ each



Small Heavy Duty Rubber Mat

Heavy duty hard wearing. Deep dish design to suit 4x4 vehicles. Anti-slip backing. Includes trim lines for a custom fit. Dimensions: 510mm x 510mm x 30mm.

Part no. LB9

\$10⁹⁵ each



All Weather Mat Set - Ford Ranger 2011 on

Vehicle specific to suit 2011 on Ford Ranger. Heavy duty all weather mat set. Utilises factory non slip mounting points. Deep dish.

Part no. RMFR11

\$149⁹⁵ each





CRC AC Charge is an inexpensive, quick way to refill vehicle air-conditioning systems with refrigerant. With the unique All-In-One application method and professional quality R134a refrigerant, it is a fast and effective way to recharge the air conditioning system.

AC
CHARGE

REFRIGERANT
R134a



QUICK & EASY
ALL-IN-ONE
APPLICATION

TRADE SPECIAL!

\$69.95

5100 CRC AC CHARGE GAUGE & REFILL
A/C D INC HOSE 400GM



TRADE SPECIAL!

\$54.95

5101 CRC AC CHARGE REFILL 400GM



Quality Alkaline Batteries

AA 24 Pack

Part no. LR6AA-24

\$13.95
each



AAA 24 Pack

Part no. LR03AAA-24

\$12.50
each



Part no.	Description	Price ea
LR6AA-4	AA 4PK HI ENERGY ALKALINE	\$2.99
LR03AAA-4	AAA 4PACK HI ENERGY ALKALINE	\$2.99
LR14C	HI ENERGY C 2PACK ALKALINE	\$3.99
LR20D	HI ENERGY D 2PACK ALKALINE	\$5.99
6LP3146	9V HIGH ENERGY ALKALINE	\$3.99
CR2016	COIN 3V LITHIUM BATTERY	\$1.99
CR2025	COIN 3V LITHIUM BATTERY	\$1.99
CR2032	COIN 3V LITHIUM BATTERY	\$1.99
LR23A	12V Remote Battery	\$2.50
4R25B	6V Lantern Battery	\$5.95



Lithium Coin Batteries

Part no.	Description	Price ea.
ECR1616BS1	ENERGIZER CR1616	\$3.99
ECR1620BS1	ENERGIZER BATTERY COIN CR1620	\$3.99
ECR2450BS1	ENERGIZER BATTERY COIN CR2450	\$3.49



Steering Parts

Part of our huge range of over 4,000 product lines

Tie Rod Ends

Suits Mitsubishi Airtrek/
Outlander/Lancer

Part no. SE-B011

\$23 each



Suits Holden
Commodore VT-VZ

Part no. TE3049

\$20 each



Suits Nissan Qashqai

Part no. SE-N201L/R

\$29 each



Suits Toyota Hilux 05-15

Part no. SE-3891

\$20 each



Suspension Arms

Suits Toyota Hiace 200
Series 05-, Front Upper

Part no. BJ1279R+ARM/
BJ1280L+ARM

\$129 each



Suits Mazda 3 03-08,
Front Lower

Part no. CS-354L/R

\$87 each



Suits Ford Falcon BA-FG,
Rear Lower Blade Arms

Part no. TRC1012

\$269 pair



Suits Suzuki Swift 2005-
10, Front Lower

Part no. CS-711L/R

\$75 each



Ball Joints

Suits Toyota Hilux 180
Series / Prado 90 Series,
Lower

Part no. SB-3806L/R

\$49 each



Suits Nissan Navara
D40, Lower

Part no. SB-N282

\$23 each



Suits Ford Falcon AU-BF,
Upper

Part no. BJ425C

\$23 each



Suits Holden Rodeo/
Colorado/Isuzu Bighorn,
Lower

Part no. BJ282

\$26 each



Steering Rack Ends

Suits Toyota Hiace 200
Series 05-

Part no. SR-3970

\$20 each



Suits Subaru Legacy/
Impreza/Forester

Part no. RE7105

\$22 each



Suits VW Golf Mk4
97-05

Part no. WR12019

\$20 each



Suits Mazda 2 Demio 07-14

Part no. SR-1800

\$20 each





Scissor Lifts

3.5 Tonne Scissor Lift - Full Height Model

3500 Kg Lift Capacity
1900mm Lift Height
Extendable Platforms 1470/2040mm
230V Single Phase
Light to Medium Duty
12 Month Manufacturer's Warranty

Part no. SXJS3519

\$5495 each



3.2 Tonne Scissor Lift - Mid Rise Model

3200 Kg Lift Capacity
1000mm Lift Height
Extendable Platforms 1500/2070mm
230V Single Phase
Light to Medium Duty
12 Month Manufacturer's Warranty

Part no. SXJS3210

\$3895 each

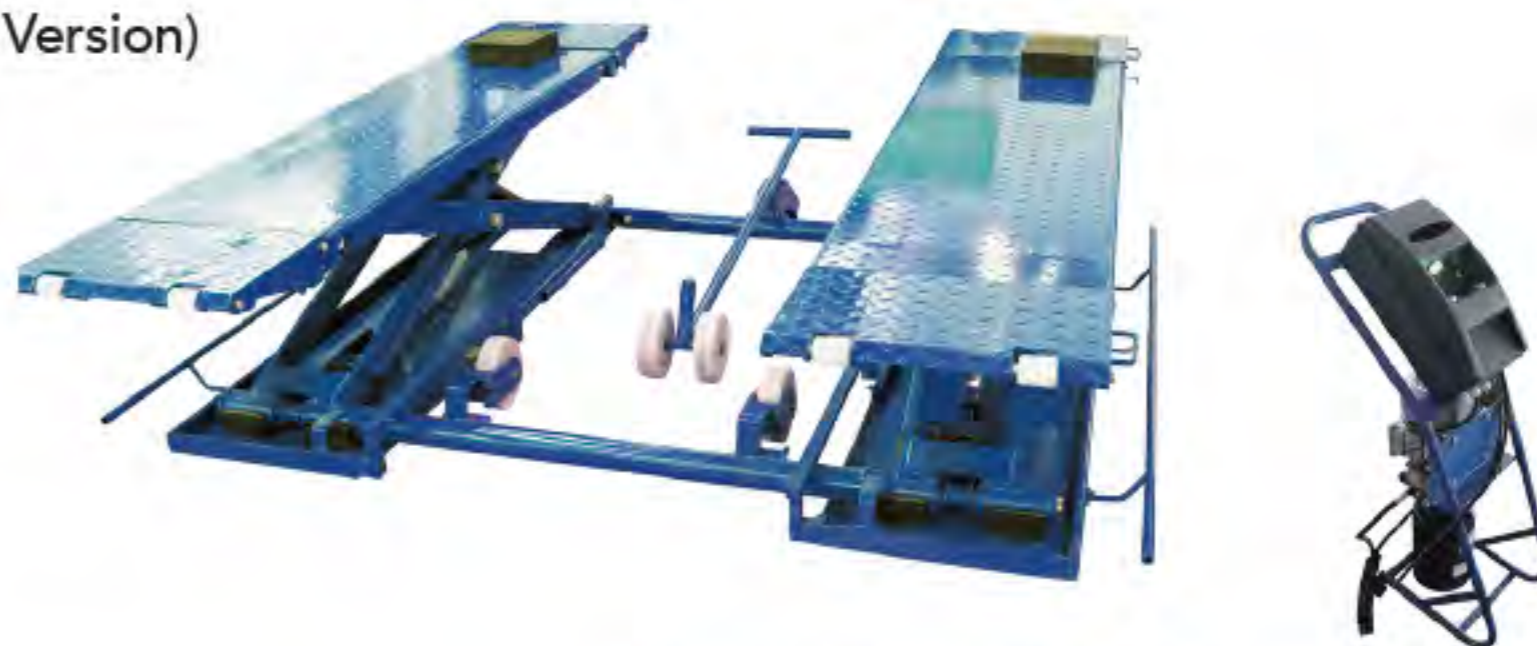


3.0 Tonne Scissor Lift - Mid Rise Model (Portable Version)

Portable – Use it Anywhere!
3000 Kg Lift Capacity
1000mm Lift Height
Extendable Platforms 1420/2000mm
230V Single Phase
Light to Medium Duty
12 Month Manufacturer's Warranty

Part no. SXJS3010M

\$3495 each



All Prices Exclude GST, Freight ex Auckland & Installation



Scissor Lifts

The XS35N mid-rise heavy-duty scissor lift is well-suited to any workshop specialising in tyre, brake and suspension work. The solid, high-strength, structural cross bars provide the capability to lift a larger range of vehicles with ease, without lifting accessories.

3.5 Tonne Mid Rise Scissor Lift

3500 kg lift capacity
Heavy duty, mid-rise lift with 1050 mm lift height
Solid, high strength, structural cross bars suitable for lifting
Low profile, surface mounted lift ideal for low vehicles
Only 105 mm high when fully lowered
Powder coated diamond plate surface
240V single phase operation

Part no. XS35N

\$6995 each



All Prices Exclude GST, Freight ex Auckland & Installation

Electrical Solutions

Ignition Coil

Suits Nissan Avenir, Bassara, Bluebird, Liberty, Presage, Primera, Serena, Tena

Part no. IGC-038M



Rear Wheel Speed Sensor

Suits Holden Calais, Caprice, Commodore, HSV VE

Part no. WSS-008



Ignition Coil

Suits BMW 316,318, 320i, 325i

Part no. IGC-195M



Starter Motor 12V 1.2kW

Suits Holden Calais, Caprice, Commodore, Colorado, Rodeo

Part no. SNJ506



Alternator 12V 55A

Suits Ford Fiesta/Mazda E2000

Part no. ARJ050



Crank Angle Sensor

Suits Nissan 350Z, Elgrand, Maxima, Murano, Skyline, Stagea

Part no. CAS-165



Oxygen Sensor

Suits Lexus IS250, LS460/Toyota Allion, Auris, Corolla, Hiace, Hilux

Part no. EGO-329



Camshaft Sensor

Suits Mazda MX-5/Suzuki Grand Vitara

Part no. CAM-018



Starter Motor 12V 1.4kW

Suits Mitsubishi Delica, Galant, Lancer, Outlander

Part no. SNJ592



Starter Motor 12V 1.2kW

Suits Ford Territory

Part no. SNB158



Alternator 12V 90A

Suits Nissan Avenir, Bassara, Bluebird, Liberty, Presage, Primera, Serena, Tena

Part no. ANJ056



Ignition Coil

Suits Holden/Chev 5.7L V8 LS1 (GEN III)

Part no. IGC-037M





MAINTAIN-UPGRADE-IMPROVE

A14503 Injector Needle with Shroud

- Case hardened needle point with safety shroud



\$9.95 ea.



A14551 / A14552 / A14553 Grease Gun Flex

- 300mm / 450mm / 700mm long polyamide flexible extensions From

\$16.95 ea.

A14512 Quick Release Grease Gun Coupler

- Works with all grease gun types - pneumatic, manual and battery
- Maximum working pressure of 10,000psi (690bar)
- Fits all metric and SAE specification grease nipples



\$44.95 ea.

A414300 Grease Swivel

- Heavy duty, three way swivel
- 1/4" BSPT(m) x 1/4" BSPT(f)
- Rated to 7,140psi (492bar)
- Suitable for use with pneumatic, hydraulic and electric grease pumps and kits



\$109.95 ea.



318008 Drum Level Measuring Gauge

- This unique mechanical measuring gauge is designed to show the level of fluid in a 205L drum
- Can be used for most fluids including oil, diesel, petrol, water, coolant, ATF, waste oil and some chemicals
- Manufactured in Germany

\$89.95 ea.



600A Lever Action Grease Gun

- Grease pressures of up to 12,000psi (828bar)
- Delivers up to 1.6g of grease per stroke
- 450g capacity
- Suitable for all grease grades up to NLGI3

\$89.95 ea.

5340 Force Feed Oil Can

- Features an effective all metal force feed pump mechanism
- Facilitates easy lubrication of pins and bushes, roller bearings and chains
- 500mL capacity



\$8.95 ea.

7340A Force Feed Oil Can

- Features an effective all metal force feed pump mechanism
- Facilitates easy lubrication of pins and bushes, roller bearings and chains
- High gloss enamel paint finish
- 500mL capacity



\$8.95 ea.

11000SFS Four Funnel Set

- A selection of high quality plastic funnels to suit a variety of applications
- Suitable for the easy pouring of ATF, hydraulic, gear & engine oils and most fuels including diesel and petrol



\$5.95 ea.

All prices are GST exclusive



*Applies to the vast majority of Alemlube products unless otherwise indicated



Wheel Hub Resurfacing Kit

Part no. 965-2501

\$42⁹⁵ each



TECH TIP

A common source of brake shudder is an uneven mounting surface on the wheel hub for the brake rotor. Over time, rust and scale can build up on the hub face; which in turn creates an uneven surface for the disc to be mounted on. This results in uneven clamping, resulting in disc rotor run out.

Cleaning the hub mounting face should be common place when replacing or refitting brake discs. This will help prevent any future instances of brake shudder and in turn, come backs.

BNT now stock an easy to use solution that attaches to your drill. The Wheel Hub Resurfacing Kit fits over the wheel stud to efficiently clean the hub mounting face.

Car Care Gift Bucket

- 500ml Xcell Wash & Wax
- 500ml Xcell Windscreen Washer Additive
- 350g Interior Cleaner Aerosol
- 350g Tyre Shine Aerosol
- 10L Bucket and sponge
- 1 Hanging air freshener

Part no. XGB-2

\$21⁹⁵ each



Deluxe Car Wash Brush

- Features: Long soft bristles for scratchless cleaning
- Comfortable grip. Lightweight and easy to use.

Part no. 155

\$25⁹⁵ each



Turn down the heat this summer!

High Velocity Fans

POWERBUILT® high velocity fans deliver fast cooling for localized spaces. Perfect for blowing some refreshing air in the garage, or delivering air to cool a generator. Our high velocity fans are an effective way to turn down the heat quickly.

76cm High Velocity Pedestal Fan

Direct Drive Fully Enclosed Motor
3 Speed fan settings
3 Heavy-Duty Balanced Steel Fan Blades
Telescopic pole, adjustable height range 114.30cm to 210.82cm
Durable metal base
Metal construction, powder coat finish

Part no. TLS0076P

\$299⁹⁵ each



76cm High Velocity Floor Fan

Direct Drive Motor
3 Speed fan settings
3 Heavy-Duty Balanced Steel Fan Blades
Easy lift handle
Adjustable Fan Angle (+45 degree to -45 degree)
Metal construction, powder coat finish

Part no. TLS0076F

\$299⁹⁵ each



76cm High Velocity Wall-Mounted Fan

Direct Drive Motor
3 Speed fan settings
3 Heavy-Duty Balanced Steel Fan Blades
Wall/Ceiling Mountable (Bracket included)
Metal construction, powder coat finish

Part no. TLS0076W

\$299⁹⁵ each



Belt-Drive Fan

POWERBUILT® Belt-drive fans allow for quieter operation for larger areas. They are an efficient way to circulate air through a warehouse, or they can keep temperatures cool at a crowded summer gathering.

106cm High Capacity Belt-Drive Barrel Fan

Belt-Driven Design
Durable Barrel design
2 Speed fan settings
4 Heavy-Duty Balanced Steel Fan Blades
Fixed axle, puncture proof wheels
Steel Housing, powder coat finish

Part no. TLS0106

\$699⁹⁵ each

Indent order



Stocks are limited



Tyre Repair Consumables

Part no.	Description	Price ea
11002XS	57mm Round Tube Patch	\$18.95
13004	QSR2 Mini Quills 6mm (48/bx)	\$69.95
14008	Vulcanising Cement Can 1/2 pint - Xtraseal	\$14.95
14100	Rubber Prep Squirt Top Can - Xtraseal	\$16.95
14101	Bead Sealer Quart Can - Xtraseal	\$39.95
14128	Inner Liner Sealer Quart Can - Xtraseal	\$39.95
42611	K19 Stitcher 1 1/2in x 1/4in	\$21.95
42620	Inner Liner Scraper	\$13.95
45102	White Crayon	\$1.75
55006	5/10 Stick on PB Hatco - 10 Strip Bag	\$13.95
CMIX	Mixed PB Conv w/weights (150)	\$69.95
MMIX	Mixed PB clip on mag weights (150)	\$69.95
FN MIX	Mixed PB fn style weights (150)	\$69.95
TR413VALVE	32mm Rubber Snap in t/l valve	\$0.35
TR414VALVE	38mm Rubber Snap in t/l valve	\$0.40



Contains acutely toxic substances. Keep away from children.

Deals of the month

Dash Cam

1080P Full High Definition @30FPS resolution to provide clear and crisp videos
152 Degree wide angle lens captures a wide field of view to ensure an incident is never missed
Wi-Fi Connectivity enables wireless smartphone connection via the Gator Dash Cam App for video downloads and camera setting adjustments
Includes 8GB Micro SD Card, supports up to 64GB

Part no. GHDVR82W

\$159 each



Magnetic Wireless Charger Kit

Wireless in-car charger to charge smartphones.
Suction mount and plate included.
25mm extendable arm.

Part no. APWMSHLD

\$49⁹⁵ each



Bluetooth FM Transmitter

Full frequency FM Transmitter.
Digital display.
Supports line audio input.
Echo and noise cancellation.
Supports dual USB output.

Part no. FMT250

\$34⁹⁵ each



FAST & EASY
SPEED WAX

Lucas Oil Slick Mist is a polymer paint gloss intensifier. Simply spray on and wipe off.

FAST & EASY
INTERIOR DETAILER

Lucas Slick Mist Interior Detailer is designed to clean and protect like nothing you've ever used.

FAST & EASY
TIRE & TRIM SHINE

Lucas Slick Mist Tire & Trim Shine is designed to give a long lasting "like-new" shine.



Detailing Kit

Kit comes complete with Microfiber Towel and the original No Mess Applicator

Part no. L10558

\$29⁹⁵ each



Change of Bank Details

Please be advised that on 1 December 2019 BNT changed its bank to ANZ.

Please update your records for all future payments as follows:

BRAKE & TRANSMISSION NZ LTD

06-0067-0345329-00

Branches contact a BNT branch near you...

NORTHERN REGION:

Kerikeri	09 401 7518
Whangarei	09 438 3666
Warkworth	09 422 3601
Whangaparaoa	09 424 6088
Silverdale	09 900 4224
Albany	09 414 2436
North Shore	09 444 1079
Kumeu	09 412 5698
Henderson	09 837 2996
New Lynn	09 826 0043
Newmarket	09 304 1055
Onehunga	09 634 5710
Glen Innes	09 570 5621
Otahuhu	09 276 7124
East Tamaki	09 253 9095
Manukau	09 262 0252

Papakura 09 299 6205

Pukekohe 09 237 0057

CENTRAL REGION:

Thames	07 868 7034
Hamilton	07 847 3079
Cambridge	07 900 1800
Te Rapa	07 849 3560
Te Awamutu	07 870 3127
Tauranga	07 578 0805
Mt Maunganui	07 574 1326
Tauriko	07 900 5000
Whakatane	07 308 9494
Rotorua	07 347 7872
Taupo	07 900 6500
Gisborne	06 868 9112
Napier	06 834 3800
Hastings	06 876 9139

Hawera 06 278 1108

New Plymouth 06 758 0463

Wanganui 06 345 6580

Feilding 06 900 8500

Palmerston North 06 358 1039

Levin 06 367 5039

Masterton 06 370 0039

Kapiti 04 296 6024

Porirua 04 237 0092

Upper Hutt 04 900 6161

Lower Hutt 04 570 1233

Wellington 04 801 9266

SOUTHERN REGION:

Nelson 03 539 1082

Richmond 03 543 8381

Blenheim 03 579 1026

Greymouth 03 768 0914

Christchurch 03 359 5362

Sydenham 03 379 0640

Hornby 03 344 0145

Timaru 03 688 5550

Ashburton 03 307 6192

Rangiora 03 310 6159

Dunedin 03 477 1000

Dunedin South 03 455 2905

Mosgiel 03 484 7727

Queenstown 03 451 1775

Gore 03 900 4673

Invercargill 03 218 8156

Distributor for



www.bntnz.co.nz

All prices exclude GST and are subject to change without notice. Pricing is for trade/account customers only. Stock is limited and prices are valid until the brochure expiry date and only while stocks last. BNT reserves the right to change any advertised product within the brochure without notice. Some featured products/promotions may not be available at some stores. OEM names & numbers are used for reference only. The articles or opinions featured within this brochure are not necessarily the opinions of the Publishers or BNT, and they do not accept responsibility for the content of articles featured within the publication. No part of this publication may be reproduced without the written permission of the Publisher.

