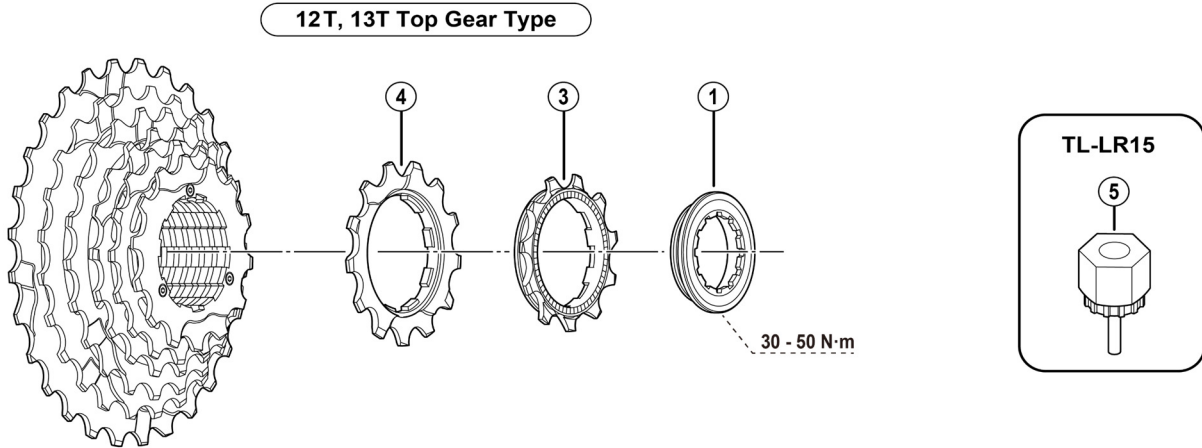
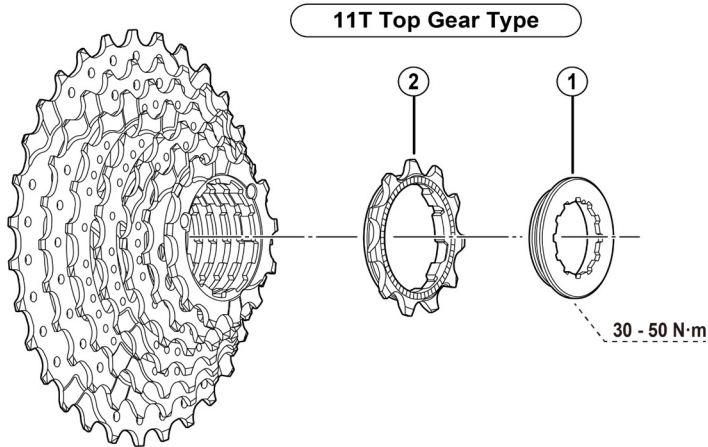


Cassette
CS-HG50-8 8-speed



• Sprocket teeth combination

bf-group : 11-13-15-17-19-21-24-28T

an-group : 11-13-15-17-20-23-26-30T

aw-group : 11-13-15-18-21-24-28-32T

ca-group : 11-13-15-18-21-24-28-34T

S-group : 12-13-14-15-16-17-19-21T

U-group : 12-13-14-15-17-19-21-23T

W-group : 12-13-15-17-19-21-23-25T

T-group : 13-14-15-16-17-19-21-23T

V-group : 13-14-15-17-19-21-23-26T

ITEM NO.	SHIMANO CODE NO.	DESCRIPTION
1	Y1YA01000	Lock ring for 11T top gear
*	Y10M98060	Lock ring for 12T, 13T top gear
2	Y12J1140E	Sprocket 11T (built in spacer type) for bf/an-group
	Y11F1149E	Sprocket 11T (built in spacer type) for aw/ca-group
	Y11F1219E	Sprocket 12T (built in spacer type) for S/U-group
3	Y11F1223E	Sprocket 12T (built in spacer type) for W-group
	Y11F1320E	Sprocket 13T (built in spacer type) for T/V-group
	Y11F1319E	Sprocket 13T (built in spacer type) for S/U-group
4	Y11F1323E	Sprocket 13T (built in spacer type) for W-group
	Y11F1420E	Sprocket 14T (built in spacer type) for T/V-group
	5	Y12009230

Jan.-2024-3072C

© Shimano Inc. I

Specifications are subject to change without notice.

Torque information is listed.

SHIMANO