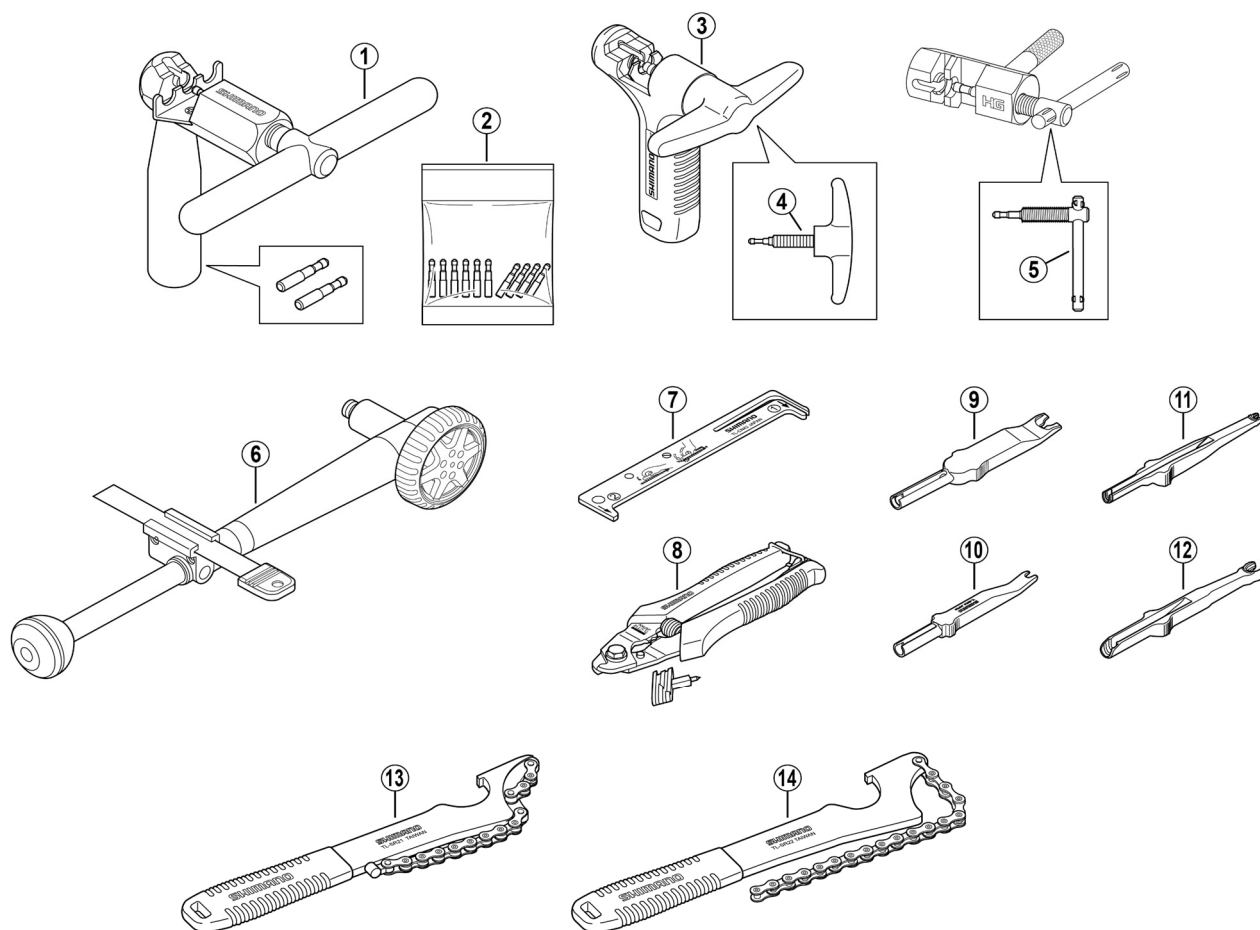


# SPECIAL TOOL (4)

## Others



ITEM NO.	SHIMANO CODE NO.	DESCRIPTION
1	Y13098710	TL-CN35 Chain cutter with spare pins (2 pcs.) 9 - 12 speed compatible
	Y13098550	TL-CN34 Chain cutter with spare pins (2 pcs.) 6 - 11 speed compatible
2	Y13098551	Spare pins (10 pcs.) for TL-CN35/CN34/CN33
3	Y13098700	TL-CN29 Chain cutter for IG / HG / UG chain (9 - 12 speed compatible)
	Y13098500	TL-CN28 Chain cutter for IG / HG / UG chain (6 - 11 speed compatible)
4	Y13098190	Spare arrow (option) for TL-CN29/CN28/CN27
5	Y13098170	Spare arrow (option) for TL-CN23
6	Y13098270	TL-RD11 Dropout alignment tool
7	Y12160000	TL-CN42 Chain wear indicator
8	Y09898010	TL-CT12 Cable cutter with liner needle
9	Y7CY02000	TL-EW01 Plug tool
10	Y6VE16000	TL-EW02 Plug tool
* 11	Y7HE40000	TL-EW300 Plug tool
* 12	Y7KJ9801T	TL-CA100 Plug tool for CAN cable
13	Y13098730	TL-SR24 Sprocket removal tool for 10 - 12 speed chain
	Y13098510	TL-SR23 Sprocket removal tool for 6 - 11 speed chain
	Y12189000	TL-SR21 Sprocket removal tool for 6 - 10 speed chain
14	Y12189010	TL-SR22 Sprocket removal tool for single speed chain

Oct.-2022-3637C  
© Shimano Inc. I

Specifications are subject to change without notice.

# SHIMANO