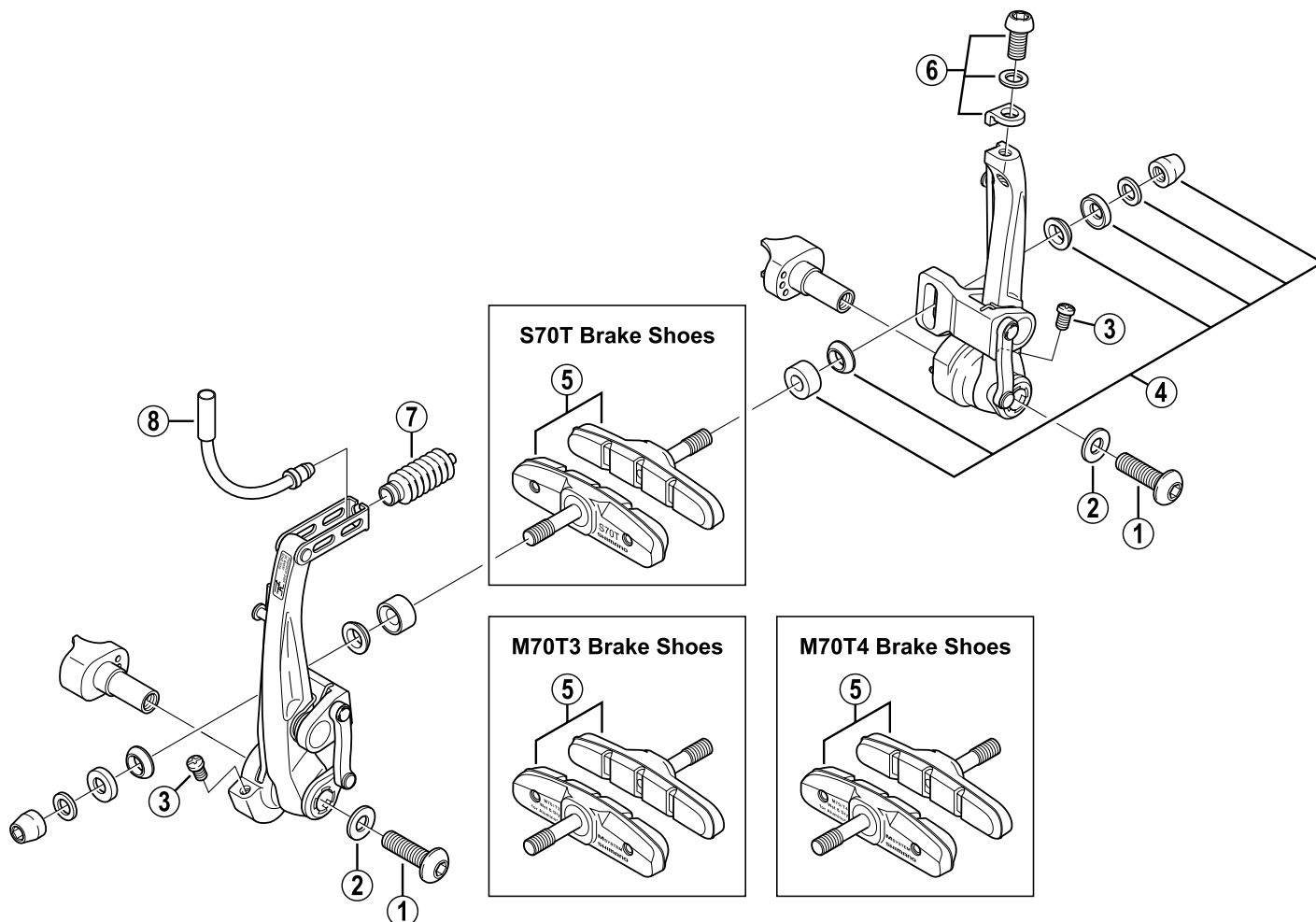


DEORE LX V-BRAKE Brake

**BR-M570**

**BR-M570-G** Gold Version

**BR-M570-S** Silver Version



Q'TY	ITEM NO.	SHIMANO CODE NO.	DESCRIPTION
	1	Y-84F 10400	Link Fixing Bolt (M6 x 22/Silver)
		Y-84F 10410	Link Fixing Bolt (M6 x 22/Black) for BR-M570-G
	2	Y-8BV 31000	Link Fixing Washer
	3	Y-8BP 16100	Spring Tension Adjustment Screw (M4 x 8)
	4	Y-8AA 98050	Shoe Fixing Nut Unit
		Y-8BV 98010	Shoe Fixing Nut Unit for BR-M570-G
		Y-8GV 98010	S70T Brake Shoe Set (Pair)
	5	Y-8BM 98100	M70T3 Brake Shoe Set (Pair) for M-System
		Y-8BM 98030	M70T4 Brake Shoe Set (Pair) for M-System
	6	Y-8AA 98060	Cable Fixing Bolt Unit (M6 x 11.5)
		Y-8BV 98020	Cable Fixing Bolt Unit (M6 x 11.5) for BR-M570-G
	7	Y-8BP 14000	Boot
		Y-8AA 98070	Inner Cable Lead Unit (90°: Middle)
	8	Y-8AA 98080	Inner Cable Lead Unit (135°: Long)
		Y-8AA 98120	Inner Cable Lead Unit (45°: Short)