

# SHIMANO®

**SHIMANO EUROPA**  
 Industrieweg 24 NL-8071 CT Nunspeetâ Holland  
 Phone 31-341-272222

**SHIMANO AMERICAN CORPORATION**  
 One Holland Irvine CA 92618 U.S.A.  
 Phone 949-951-5003

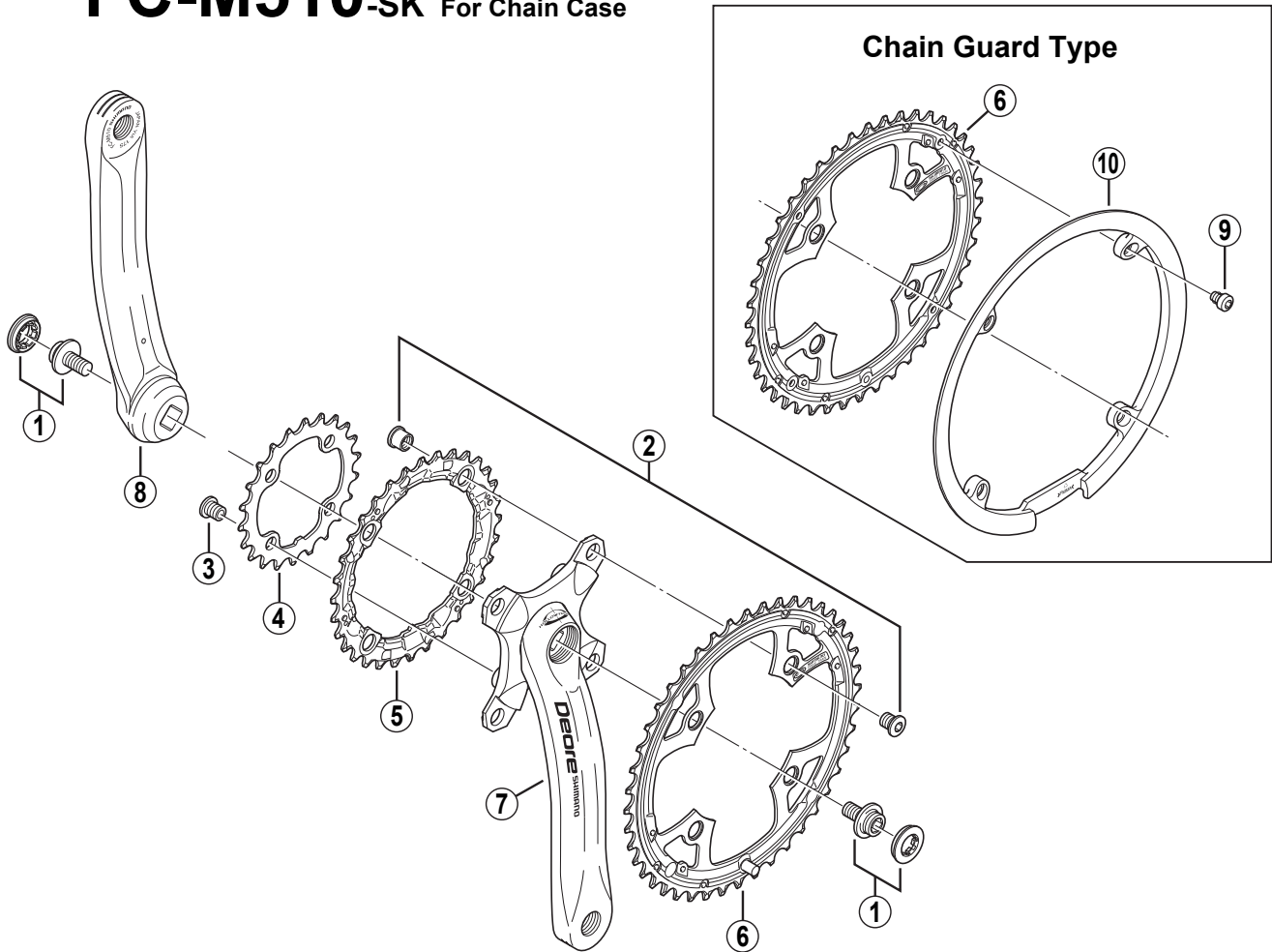
## Spare parts list for after market.

- You may photocopy this sheet and use it as an order form.
- Sie können dieses Blatt kopieren und als Bestellformular verwenden.
- Vous pouvez photocopier cette feuille et l'utiliser comme bon de commande.
- Dit blad kan gecopieerd en als bestelformulier gebruikt worden.
- Potete fotocopiare questo foglio e usarlo come modulo di commissione.

### SHIMANO DEORE Front Chainwheel (Silver Version)

# FC-M510-s

# FC-M510-SK For Chain Case



- Chaining teeth combinations: 44-32-22T / 48-36-26T
- Bolt circle diameter: 104 mm...(For outer gear and middle gear), 64 mm...(For inner gear)

	Q'TY	ITEM NO.	SHIMANO CODE NO.	DESCRIPTION
		1	Y-16M90100	Crank Arm Fixing Bolt & Cap
		2	Y-1C898010	Double Gear Fixing Bolt (M8 x 8.5) & Nut (4 sets)
		3	Y-1BD98030	Inner Gear Fixing Bolt (M8 x 8.5 / 4 pcs.)
	*	4	Y-1DJ22100	Chaining 22T (Silver)
			Y-1DS26000	Chaining 26T (Silver)
			Y-1DS98010	Chaining 32T (Silver)
	*	5	Y-1DS98200	Chaining 36T (Silver)
			Y-1DS98020	Chaining 44T (Silver)
			Y-1DS98030	Chaining 44T (Silver) for FC-M510-SK
	*	6	Y-1DS98040	Chaining 44T (Silver) for Chain Guard
			Y-1DS98210	Chaining 48T (Silver)
	*		Y-1DS98220	Chaining 48T (Silver) for FC-M510-SK
	*		Y-1DS98230	Chaining 48T (Silver) for Chain Guard
			Y-1DS98050	Right Hand Crank Arm 170 mm (Silver)
			Y-1DS98060	Right Hand Crank Arm 170 mm (Silver) for FC-M510-SK
			Y-1DS98070	Right Hand Crank Arm 175 mm (Silver)
			Y-1DS98080	Right Hand Crank Arm 175 mm (Silver) for FC-M510-SK
			Y-1DS98090	Left Hand Crank Arm 170 mm (Silver)
			Y-1DS98100	Left Hand Crank Arm 175 mm (Silver)
		9	Y-1CY98020	Chain Guard Fixing Bolt (4 pcs.)
			Y-1C618000	Chain Guard (for 44T)
	*	10	Y-1DS08000	Chain Guard (for 48T)