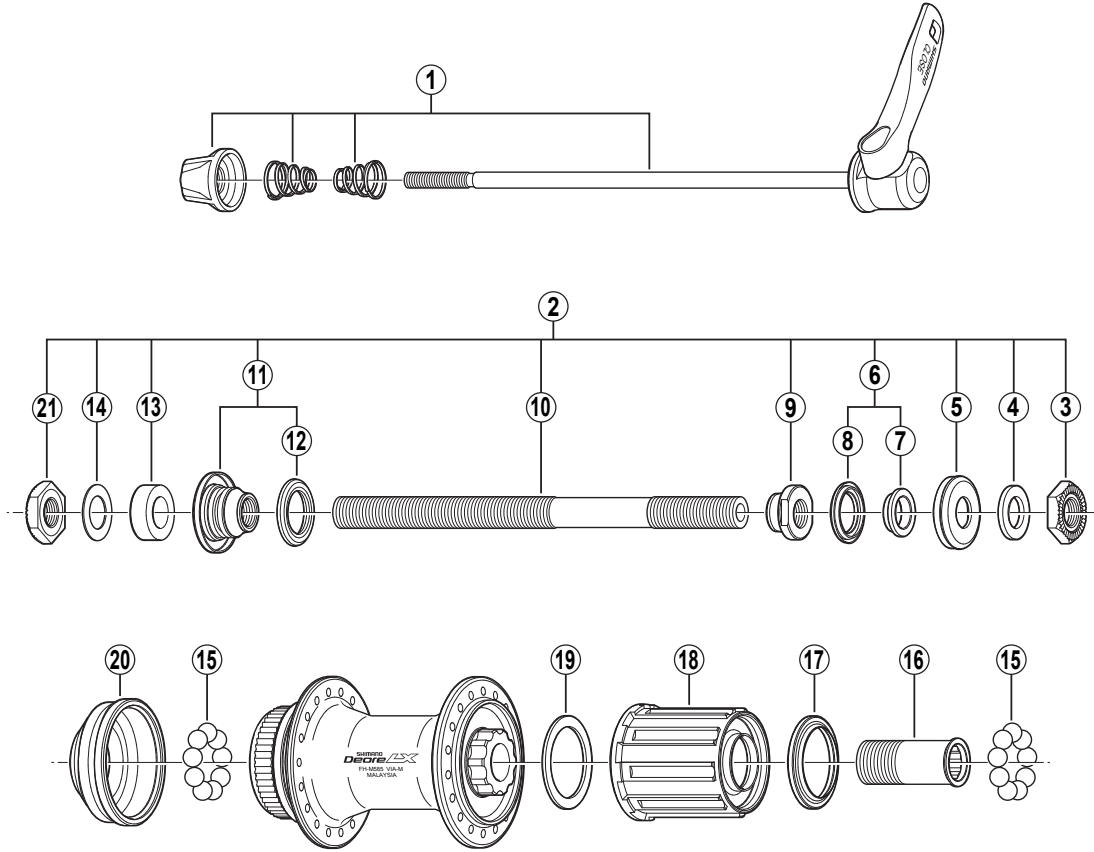


DEORE LX Freehub (8/9-Speed)
FH-M585 For Disc Brake



ITEM NO.	SHIMANO CODE NO.	DESCRIPTION
1	Y-3BD98030	Complete Quick Release 168 mm (6-5/8")
	Y-3C798010	Complete Quick Release 173 mm (6-13/16")
2	Y-3C798030	Complete Hub Axle 146 mm (5-3/4")
3	Y-220 05031	Right Hand Serated Lock Nut 4.0 mm
4	Y-301 07100	Right Hand Washer 1.5 mm
5	Y-3C7 02000	Right Hand Dust Cap
6	Y-32X 98020	Right Hand Axle Spacer & Seal Ring
7	Y-31V 03000	Right Hand Axle Spacer 3.7 mm
8	Y-214 06000	Right Hand Seal Ring
9	Y-3AE03000	Right Hand Cone M10 x 9 mm
10	Y-30K 01200	Hub Axle 146 mm (5-3/4")
11	Y-3C798020	Left Hand Cone (M10 x 16 mm) w/Dust Cover & Seal Ring
12	Y-377 10000	Left Hand Seal Ring
* 13	Y-224 06010	Left Hand Axle Spacer 5.5 mm
* 14	Y-301 06700	Left Hand Washer 0.5 mm
15	Y-000 91310	Steel Ball (1/4") 18 pcs.
16	Y-3BL 03000	Body Fixing Bolt
17	Y-3C7 03000	Sub Unit Rubber Seal
18	Y-3C098010	Complete Freewheel Body w/Right Hand Dust Cap
19	Y-375 04000	Freewheel Body Washer
20	Y-24Z 02000	Rotor Mount Cover
* 21	Y-220 05011	Left Hand Serated Lock Nut 4.5 mm

Over Lock Nut Dimension: 135 mm (5-5/16")

0408-2346A

Specifications are subject to change without notice.

SHIMANO