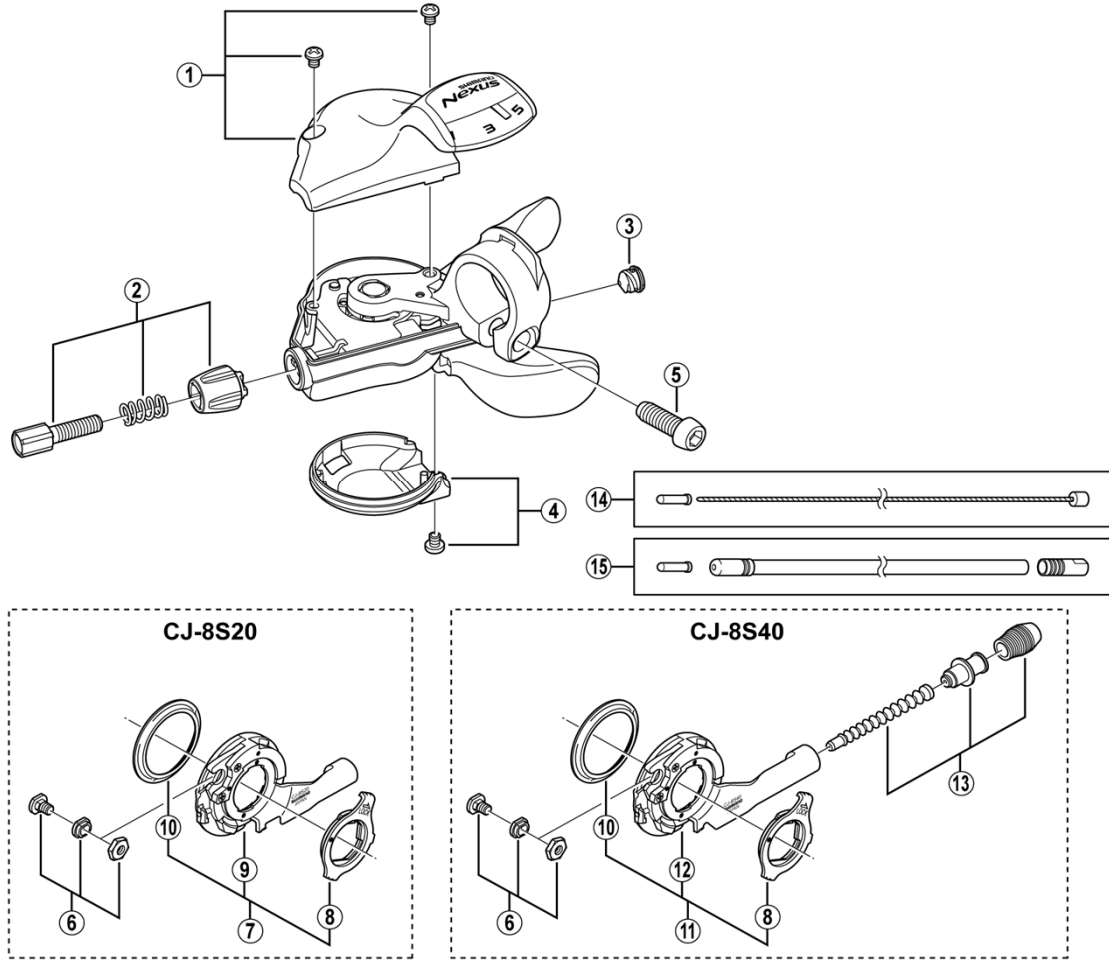


NEXUS Rapidfire Plus Lever SL-5S50



ITEM NO.	SHIMANO CODE NO.	DESCRIPTION	INTERCHANGEABILITY		
			SL-S503	SL-7S50	SL-S500
1	Y6WX98010	Indicator Unit (Silver)			
	Y6WX98020	Indicator Unit (Black)			
2	Y61W98030	Cable Adjustment Barrel Unit	A	A	A
3	Y6CD33000	Inner Hole Cap	A	A	A
4	Y6WX98050	Main Lever Cover & Fixing Screw	B	B	B
5	Y6TE46000	Clamp Screw (M6 x 17.8)	B	A	B
6	Y74Y98030	Inner Cable Fixing Bolt Unit	A	A	A
7	Y74Y98120	CJ-8S20 Cassette Joint Unit	A		A
8	Y33Z98020	Cassette Joint Fixing Ring	A	A	A
9	Y74Y98130	CJ-8S20 Cassette Joint	A		A
10	Y74Y18000	Driver Cap	A	A	A
11	Y74Y98140	CJ-8S40 Cassette Joint Unit	A		A
12	Y74Y98150	CJ-8S40 Cassette Joint	A		A
13	Y74Y98160	Outer Casing Holder Unit	A	A	A
* 14	Y60098911	Shift inner cable stainless steel • Stainless steel inner cable • Diameter 1.2 mm x 2100 mm incl. inner end cap			
* 15	Y6YE98010	SP41 shift outer casing • SP41 (2100 mm) with sealed outer cap • Sealed outer cap (1 pc.) • Inner end cap (1 pc.)			

A: Same parts.

B: Parts are usable, but differ in materials, appearance, finish, size, etc.

Absence of mark indicates non-interchangeability.

Specifications are subject to change without notice.

Mar.-2020-3350A

© Shimano Inc. I

SHIMANO