



INTER 7

SERVICE MANUAL

SG-C3001-7R
SG-C3001-7C
SG-C3001-7C-DX
SG-C3001-7D

CONTENTS

Introduction of INTER-7	2
Dealer's Manual	4
SG-C3001-7R, SG-C3001-7C, SG-C3001-7C-DX, SG-C3001-7D	
• INSTALLATION	
• ADJUSTMENT	
• MAINTENANCE	
Troubleshooting	38
Disassembly & Assembly	42
Required Tools	
Replacing the Internal Assembly	
Disassembling the Internal Assembly	
Assembling the Internal Assembly	
Service Parts & Tools	55
Cassette Joint	
Measurement Tool	
Application chart	
Interchangeability	58
Hub dimensions (Over Locknut Dimensions and Axle)	60
EV / Spare Parts List	62

SHIMANO
Nexus **INTER 7**



SG-C3001-7R

Internal Geared Hub for Roller Brake (7-speed)

- Improved internal gear engagement that allows for a smoother ride
- New, updated and polished design that complements the bike
 - » Aluminum hub shell
- Color options: Black, Silver

SG-C3001-7C

Internal Geared Hub for Coaster Brake (7-speed)

- Improved internal gear engagement that allows for a smoother ride
- New, updated and polished design that complements the bike
 - » Steel hub shell
- Deluxe version (SG-C3001-7C-DX)
- Color options: Black, Silver

SG-C3001-7D

Internal Geared Hub for Disc Brake (7-speed)

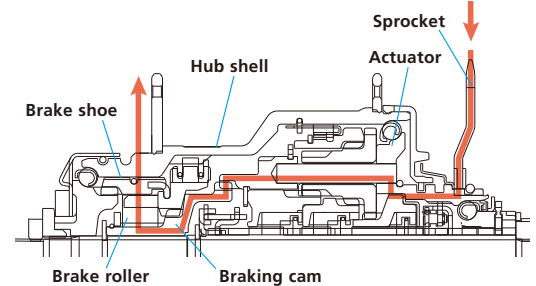
- Improved internal gear engagement that allows for a smoother ride
- New, updated and polished design that complements the bike
 - » Aluminum hub shell
- Disc version for sportier-styled bikes
 - » Disc brake specification for a greater variety of bikes • CENTER LOCK
- Color options: Black, Silver

TECHNOLOGIES

Coaster Brake

The SHIMANO NEXUS coaster brake is operated by pedaling backward in a similar way as ordinary types. Its uniqueness is that braking power transmitted to the wheel directly for the SHIMANO NEXUS internal coaster brake is independent of the gear shifting mechanism built into the hub. Also it always generates the same braking force regardless of gear position to actualize comfortable and reliable riding. It actualizes the braking force to meet the ISO 4210 standard.

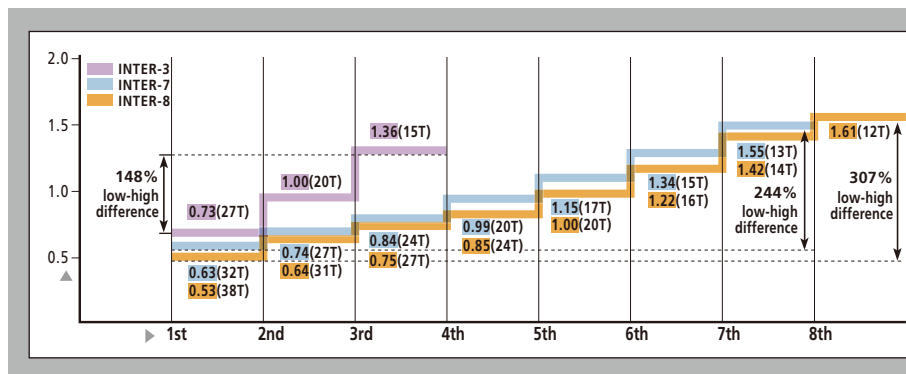
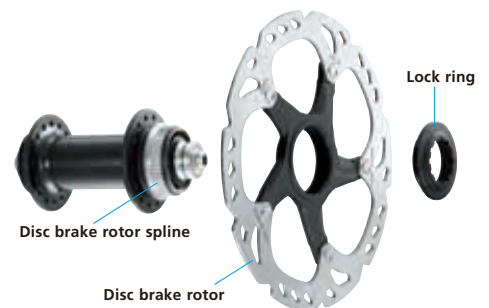
Equal braking force in each gear



CENTER LOCK System

The CENTER LOCK system makes an easy disc brake rotor installation possible with spline mount and a lock ring.

The lock ring mounting system reduces the total working hours by shortening the amount of time of both installation and de-installation. In addition, the secure fixing by the spline mount enhances precision and rigidity while improving braking efficiency.



INTER-8, INTER-7, and INTER-3 Wide-Range Gearing

The table at the left shows the relative gear ratio when used with a 20T sprocket. The numbers in parenthesis show the sprocket size that each gear ratio corresponds to in a derailleur system.



CAUTION

Please use a non-turn washer to secure the hub axle into the dropout of the frame.

Surface Treatment

What is the difference between the Standard and the DX version?

- The Standard version is designed to use under normal climate conditions.
- The DX version features a clear coated finish and/or stainless steel material.

This finish is offering an advanced protection against corrosion and is therefore recommended to use under more severe climate conditions.

Cassette Joint Compatibility

- CJ-NX10: Standard cable sealing performance, chain case compatible
- CJ-NX40: Scandinavian spec cable sealing performance, strongly recommended for cold climate conditions

The diagram illustrates the compatibility of two cassette joint models: CJ-NX10 and CJ-NX40. Each model is shown with its respective hub component on the left and a cable assembly on the right. The CJ-NX10 cable assembly is labeled with a length of 101 mm, while the CJ-NX40 cable assembly is labeled with a length of 125 mm. Both cable assemblies are shown connected to two different handle configurations, demonstrating their compatibility with various shifters.

Question: What is the function of the Cassette Joint (CJ)?

Answer: The Cassette Joint transforms the linear movement of the shifting cable into a rotation of the shifting sleeve to shift the gear to a selected gear. The CJ is assembled on the right hand side of the hub and has a "hook in part" for the inner cable fixing bolt. It comes with a fixing ring for assembly and a driver cap for sealing.



Dealer's Manual

SG-C3001-7R
SG-C3001-7C
SG-C3001-7C-DX
SG-C3001-7D

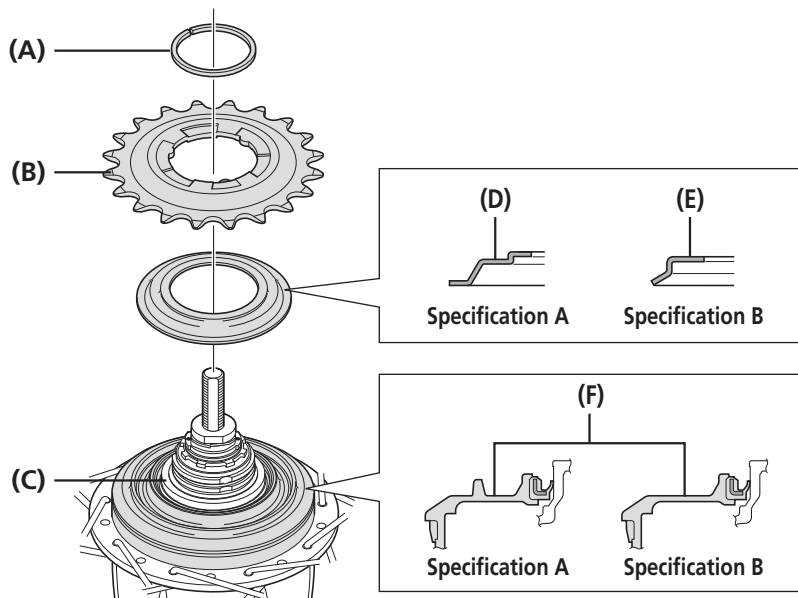
INSTALLATION

Installation of the sprocket to the hub

Place the right-hand dust cap B/right-hand dust cap C onto the driver on the right side of the hub body.

Next, install the sprocket and secure it in place with the snap ring.

Specifications	Applicable sprockets	
	Outward assembling	Inward assembling
A	16-23T	20-23T
B	16-23T	



- (A) Snap ring
- (B) Sprocket
- (C) Driver
- (D) Right-hand dust cap C
- (E) Right-hand dust cap B
- (F) Right-hand dust cap A

NOTICE

Note the orientation of the right-hand dust cap.

Specification A

If the sprocket is an inward assembling sprocket with 19T or fewer or for belt drive specifications, right-hand dust cap A will come into contact with the chain or pulley so specification B should be used instead.

Specification B

If the sprocket is an inward assembling sprocket with 16T and 3 mm teeth or for belt drive specifications, remove right-hand dust cap B before use.



Click here for the latest Dealer's Manual

<https://si.shimano.com/DM/CASG001>

Installation of the cassette joint to the hub

1

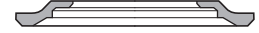
(A) — Snap ring
(B) — Driver
(C) — Sprocket

Install the driver cap to the driver on the right side of the hub body.

- (A) Driver cap
- (B) Driver
- (C) Sprocket

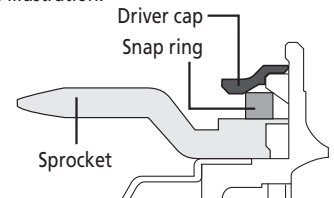
NOTICE

Note the orientation of the driver cap.



Driver side

Install the driver cap in the position shown in the illustration.



2

(A) — Pulley
(B) — Bracket

Turn the cassette joint pulley in the direction of the arrow to align the red ● marks on the pulley and the bracket.

(z) Should be aligned

- (A) Pulley
- (B) Bracket

3

(A) — Cassette joint

Install it with the red ● marks (z) on the cassette joint aligned with the red ● (SG-C6001 / SG-C6011) or yellow ▲ (SG-C3001) marks (z) on the right side of the hub body.

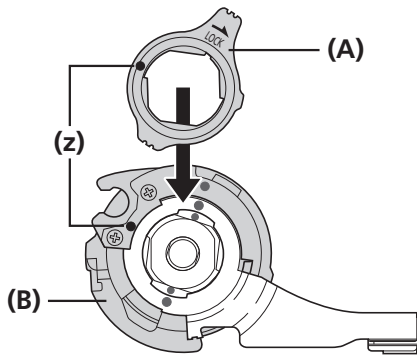
- (A) Cassette joint



Click here for the latest Dealer's Manual

<https://si.shimano.com/DM/CASG001>

4

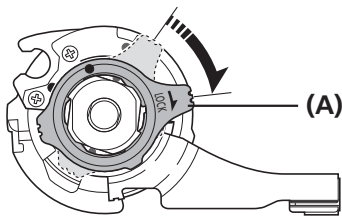


Secure the cassette joint to the hub with the cassette joint mounting ring.

When installing the cassette joint mounting ring, align the yellow ● mark (z) with the yellow ● mark (z) on the pulley of the cassette joint.

- (A) Cassette joint mounting ring
- (B) Pulley

5



Turn the cassette joint mounting ring 45° clockwise.

- (A) Cassette joint mounting ring

NOTICE

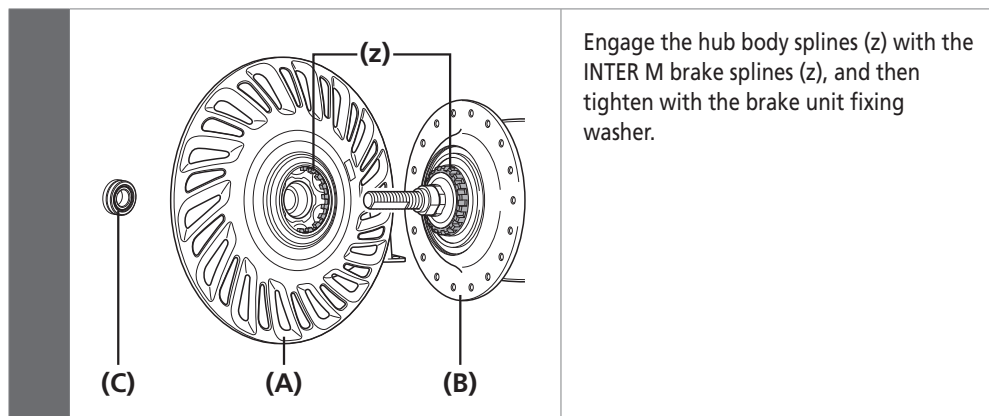
Hold down the cassette joint bracket securely when performing work.



Click here for the latest Dealer's Manual

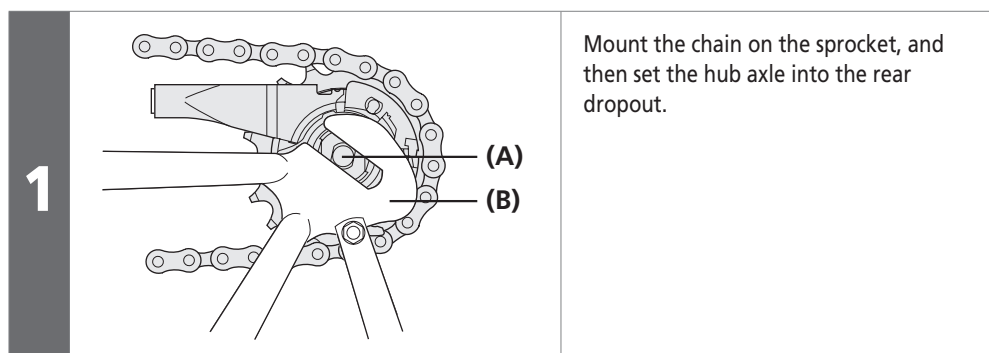
<https://si.shimano.com/DM/CASG001>

■ Installing the INTER M brake to the hub body



- (A) INTER M brake
- (B) Hub body
- (C) Brake unit fixing washer

■ Installation of the hub to the frame

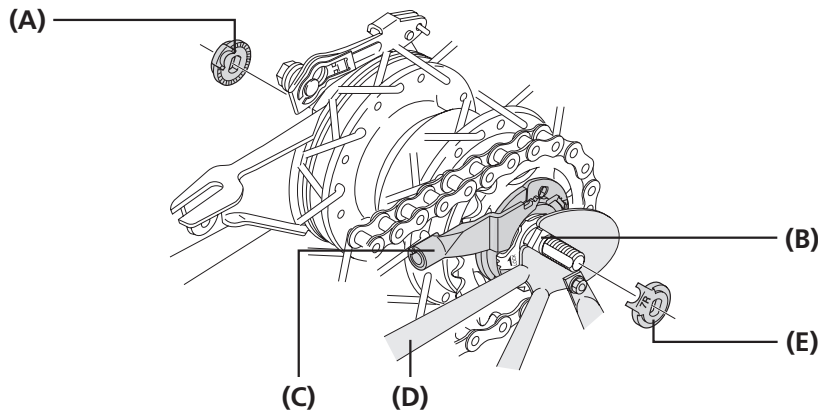


- (A) Hub axle
- (B) Rear dropout



Place non-turn washers and onto the right and left sides of the hub axle.

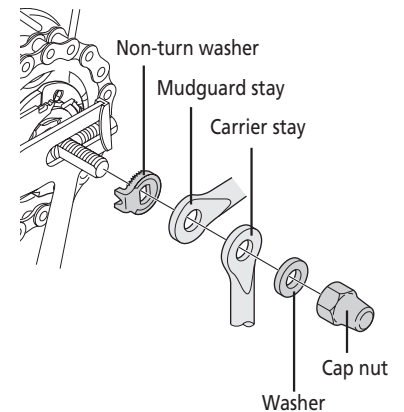
At this time, turn the cassette joint so that the protrusions of the non-turn washers fit into the grooves in the rear dropouts and align the joint to be almost parallel to the chainstay.



- (A) Non-turn washer (for left-side use)
- (B) Groove in rear dropout
- (C) Cassette joint
- (D) Chainstay
- (E) Non-turn washer (for right-side use)

NOTICE

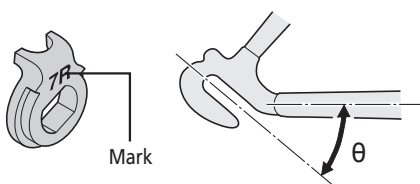
When installing parts such as a mudguard stay to the hub axle, install them in the order shown in the figure.



2

TECH TIPS

- The protrusion should be on the rear dropout side.
- Install the non-turn washer so that the protrusion fits securely in the rear dropout groove at the front and back sides of the hub axle.
- Use a non-turn washer that matches the shape of the rear dropout. Different non-turn washers are used for the left and right sides.



Rear dropout	Non-turn washer		Size
	Mark / Color		
	For right	For left	
Standard	5R / Yellow	5L / Brown	$\theta \leq 20^\circ$
	7R / Black	7 / Gray	$20^\circ \leq \theta \leq 38^\circ$
	9R / Light brown	9L / Light green	
Reversed	6R / Silver	6L / White	$\theta = 0^\circ$
Reversed (Full chain case)	5R / Yellow	5L / Brown	$\theta = 0^\circ$
Vertical	8R / Blue	8L / Green	$\theta = 60^\circ - 90^\circ$

Note: Vertical type does not include the coaster specifications

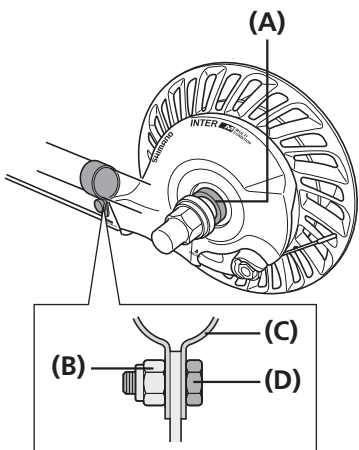


Click here for the latest Dealer's Manual

<https://si.shimano.com/DM/CASG001>

In the case of INTER M brake specifications

2



(A)

Attach the brake arm of the INTER M brake to the chainstay with the brake arm clip.

Next, temporarily fix the clip bolt and clip nut by lightly tightening them.

(B)

(C)

(D)

- (A) Brake fixing washer (insert manually)
- (B) Clip nut
- (C) Arm clip
- (D) Clip bolt (M6 x 16 mm)

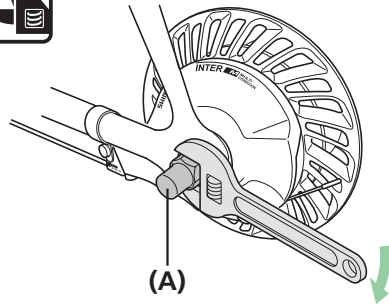
NOTICE

Check that the brake unit is firmly secured to the hub with the brake unit fixing washer.



If the hub nuts are cap nuts, use a frame with rear dropouts that are at least 7 mm thick.

3



(A)

Take up slack in the chain and secure the wheel to the frame with the cap nut.

- (A) Hub nut

Tightening torque



30 - 45 N·m

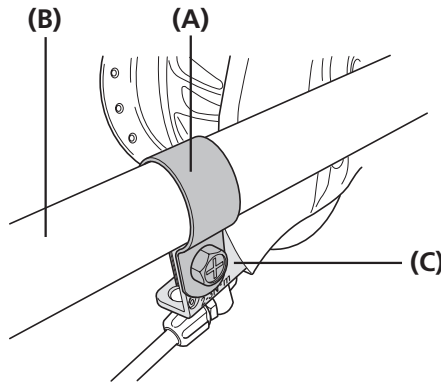
NOTICE

Check that the wheel is fixed securely to the frame with the hub nut.

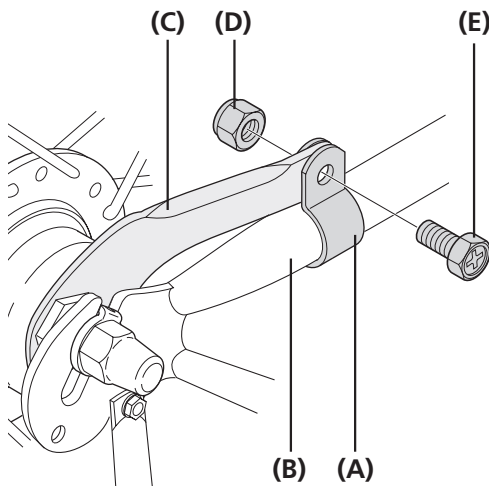


Fix the brake arm securely to the chainstay with the arm clip.

Check that the brake arm is securely fastened to the chainstay with the brake arm clip.



In the case of coaster brake specifications



- (A) Arm clip
- (B) Chainstay
- (C) Brake arm
- (D) Clip nut
- (E) Clip bolt (M6 x 16 mm)

Tightening torque



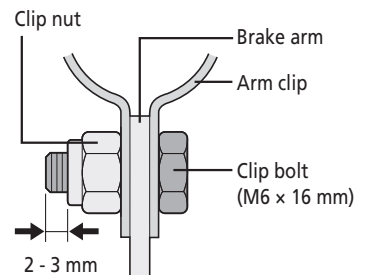
2 - 3 N·m

WARNING

When securing the brake arm to the frame, be sure to use an arm clip that matches the size of the chainstay, and securely tighten them with the clip bolt and clip nut to the specified tightening torque. Use a lock wash with a nylon insert (self-locking nut) as the clip nut. It is recommended that Shimano made clip bolts, clip nuts, and arm clips be used. If the clip nut comes off the brake arm, or if the clip bolt or arm clip becomes damaged, the brake arm may rotate on the chainstay and cause the handlebars to jerk suddenly, or the bicycle wheel may lock and result in serious injury due to a fall or collision.

NOTICE

- If it is not installed correctly, braking performance will suffer. Be careful not to apply excessive force when installing.
- If excessive force is applied to the brake arm to secure it, the wheel will make noise and become difficult to turn.
- After installing the arm clip, check that the clip bolt protrudes about 2 to 3 mm from the end face of the clip nut.



- Before using the Coaster Brake, check that the brake works properly and that the wheel turns smoothly.

4

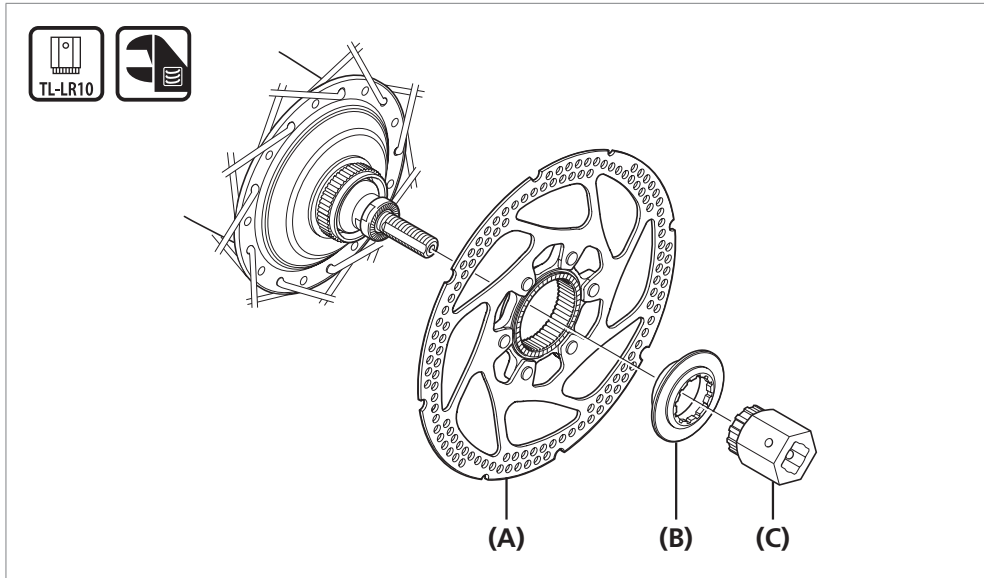


Click here for the latest Dealer's Manual



<https://si.shimano.com/DM/CASG001>

Installation of the disc brake rotor

Center lock type

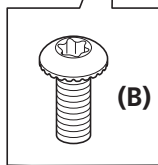
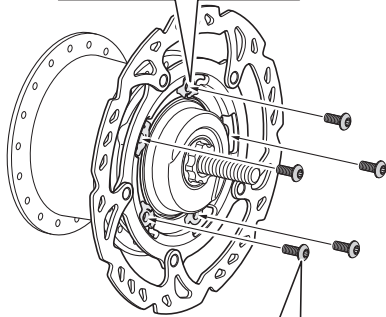
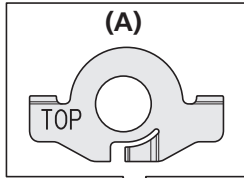


- (A) Disc brake rotor
- (B) Disc brake rotor fixing lock ring
- (C) TL-LR10

Tightening torque	
 	40 N·m



5 bolt type (with lock washer)



Attach the disc brake rotor and the disc brake rotor lock washers to the hub, and then tighten them on with the bolts.

- (A) Lock washer
- (B) Disc brake rotor fixing bolt

Tightening torque

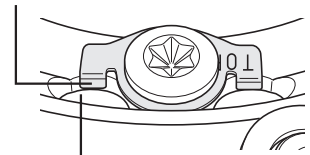


2 - 4 N·m

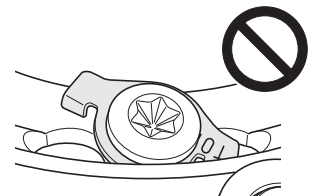
NOTICE

- Fit the lock washers so that the marking "TOP" is visible.
- Ensure that the hooked parts of the lock washer are securely caught on the notches in the disc brake rotor and then tighten on the lock washer with the disc brake rotor fixing bolt. If tightened while the hooked parts are against the surface of the disc brake rotor, the washer and its hooked parts will become deformed.

Hooked part of washer



Notch in disc brake rotor



- The lock washers are not reusable. Always use new lock washers when installing/re-installing the disc brake rotor.
- Use the dedicated disc brake rotor fixing bolts.

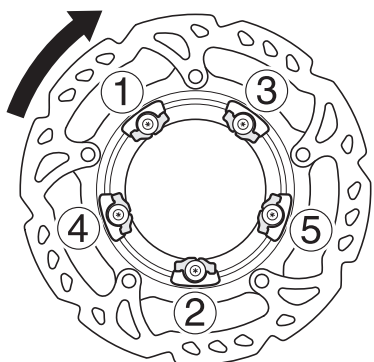
1



Click here for the latest Dealer's Manual

<https://si.shimano.com/DM/CASG001>

2



Wear gloves and turn the disc brake rotor clockwise with some force.



At this time, tighten on the disc brake rotor fixing bolts in the order indicated in the illustration.



Installation of the lever


When equipped with mode switching mechanism

1

Use cross head screwdriver[#1] to loosen the screw.

2



Set the mode switch to the mode position for the brake installed.

TECH TIPS

For V-BRAKE brakes



For caliper brakes/cantilever brakes/roller brakes

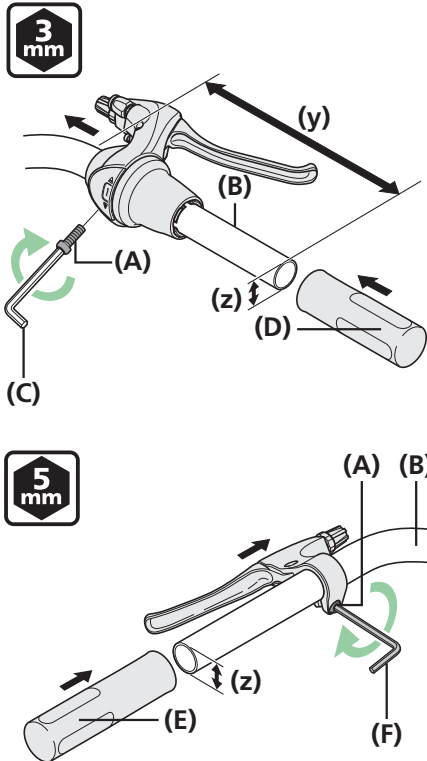


Click here for the latest Dealer's Manual

<https://si.shimano.com/DM/CASG001>

Installation of the lever

Install the lever as shown in the illustration.



Pass the lever over the handlebar and then attach the grip/half grip.

Tighten the fixing bolt with a 3 mm hexagon wrench or a 5 mm hexagon wrench.

(y) 166 mm or more

(z) $\varnothing 22.2$ mm

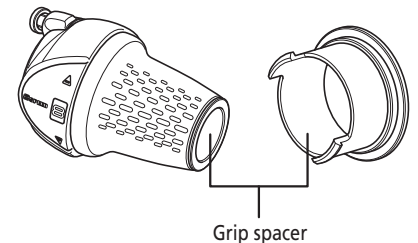
- (A) Fixing bolt
- (B) Handlebar
- (C) 3 mm hexagon wrench
- (D) Half grip
- (E) Grip
- (F) 5 mm hexagon wrench

Tightening torque

	2 - 2.5 N·m
	6 - 8 N·m

NOTICE

When using SL-C6000 / SL-C3000, make sure to install the handlebar with the grip spacer attached.



TECH TIPS

- If using Shimano half grip, the straight section of the handlebar should be 166 mm or longer. Attach the REVOSHIFT lever to this straight section.
- Leave a gap of 0.5 mm between the REVOSHIFT lever and the half grip.

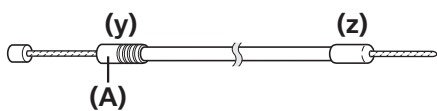


Click here for the latest Dealer's Manual

<https://si.shimano.com/DM/CASG001>

Installation of the shifting cable

For information on how to replace the inner cable, refer to the maintenance section.



Use a shifting cable with one inner cable drum.

Shifting cable with one inner cable drum:

OT-SP41

(y) Shift lever side

(z) Cassette joint side

(A) Sealed outer cap

NOTICE

Make sure that the sealed outer cap is at the shift lever end.



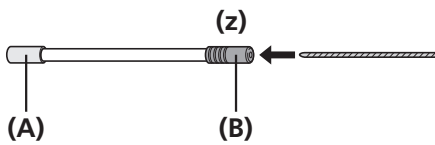
Click here for the latest Dealer's Manual

<https://si.shimano.com/DM/CASG001>

Installing to the cassette joint

CJ-NX10 / CJ-8S20

1



Pass the inner cable through the OT-SP41 outer casing to the end with the plastic cap.

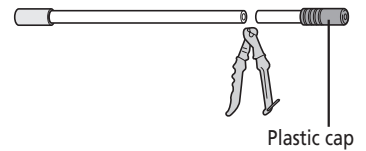
(z) Lever side

- (A) Aluminum cap
- (B) Plastic cap

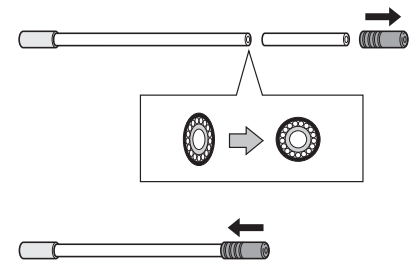


Cutting the outer casing

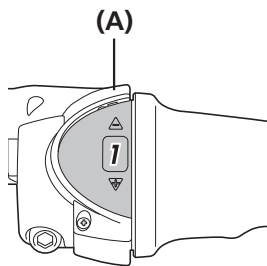
If cutting the outer casing, cut it near the end with the plastic cap while the cap is still attached.



After cutting, make the cut end perfectly round and attach the plastic cap.



2



Set the REVOSHIFT lever to 1.

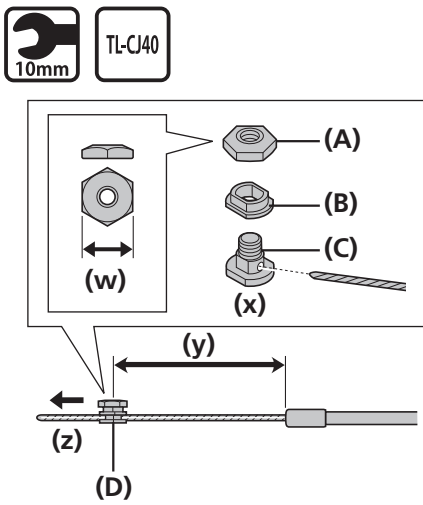
- (A) REVOSHIFT lever



Click here for the latest Dealer's Manual

<https://si.shimano.com/DM/CASG001>

3



After checking that the end of the outer casing is securely set in the cable adjustment barrel of the REVOSHIFT lever, attach the inner cable mounting bolt unit to the inner cable.

- (w) 10 mm
- (x) Pass the inner cable through the hole.
- (y) 101 mm
- (z) Pull the inner cable when securing.

- (A) Inner cable mounting nut (Black)
- (B) Inner cable mounting washer (Silver)
- (C) Inner cable mounting bolt (Silver)
- (D) Inner cable mounting bolt unit

Tightening torque

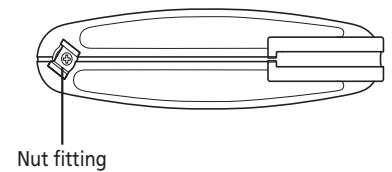


3.5 - 5.5 N·m

NOTICE

- This inner cable mounting bolt unit is designed only for CJ-NX10, CJ-NX40, CJ-8S20, and CJ-8S40. 11-speed mounting bolt units cannot be used.
- The tool is shipped ready to be used for CJ-NX10 and CJ-8S20.
- When installing the inner cable mounting bolt unit, use the setting tool TL-CJ40 (Y70898020).
- For CJ-NX10 and CJ-8S20, use the front side of TL-CJ40.

Front side of TL-CJ40



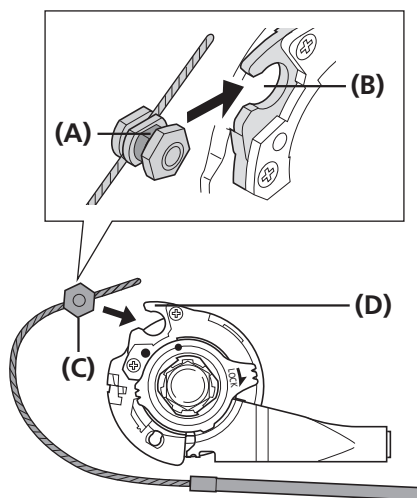
Nut fitting



Click here for the latest Dealer's Manual

<https://si.shimano.com/DM/CASG001>

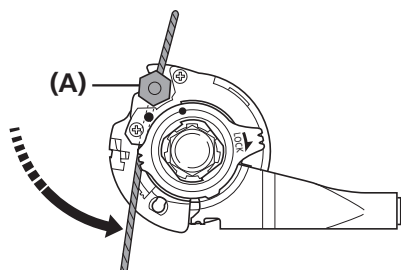
4



Bring the cable around to the cassette joint pulley, hold it so that the inner cable fixing nut is facing outwards (towards the rear dropout), and then slide the flats part of the inner cable fixing washer into the gap in the pulley.

- (A) Flats part of inner cable fixing washer
- (B) Gap in pulley
- (C) Inner cable fixing nut
- (D) Pulley

5

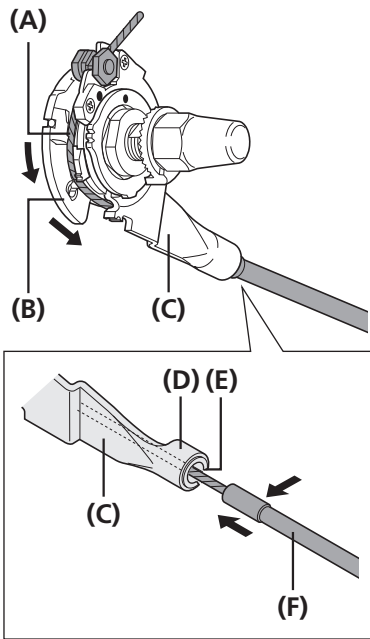


Turn the cable 60° counterclockwise and attach it to the hook.

- (A) Hook



6

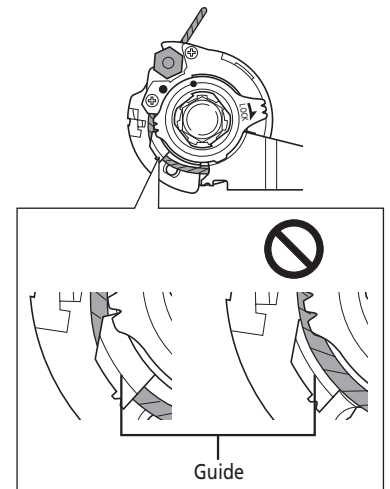


Attach the inner cable to the pulley as shown in the figure, pass the inner cable through the slit in the cassette joint bracket, then insert the end of the outer casing securely into the outer casing holder section.

- (A) Inner cable
- (B) Pulley
- (C) Bracket
- (D) Outer casing holder section
- (E) Slit
- (F) Outer casing

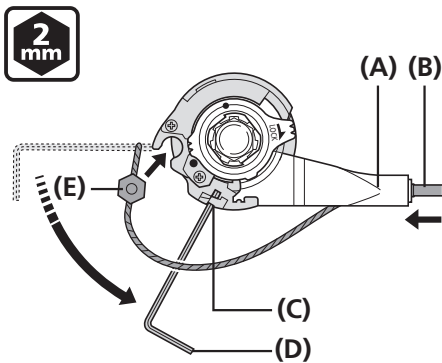
NOTICE

Check that the inner cable is correctly seated inside the pulley guide.



When inserting outer casing into outer casing holder section first

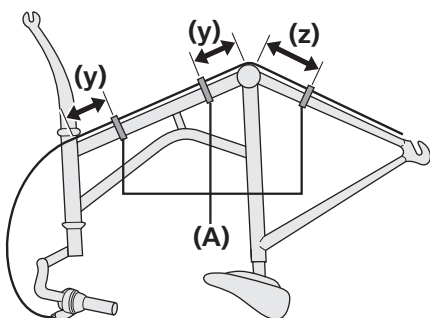
6



Insert the outer casing into the outer casing holder section.
Insert a 2 mm hexagon wrench or a #14 spoke into the hole in the pulley, and then turn the pulley.
Fit the inner cable mounting bolt unit into the gap in the pulley.

- (A) Outer casing holder section
- (B) Outer casing
- (C) Hole in pulley
- (D) 2 mm hexagon wrench or #14 spoke
- (E) Inner cable mounting bolt unit

7



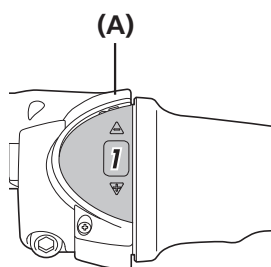
Secure the cable to the frame with the outer casing bands.
(y) 10 cm
(z) 15 cm

- (A) Outer casing bands



CJ-NX40 / CJ-8S40

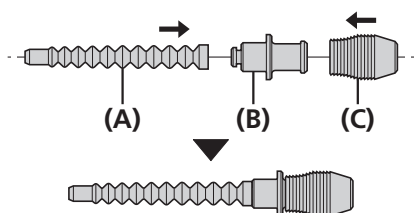
1



Set the REVOSHIFT lever to 1.

(A) REVOSHIFT lever

2



Install the rubber cover and rubber bellows to the outer casing holder body.

(A) Rubber bellows
(B) Outer casing holder body
(C) Rubber cover

3

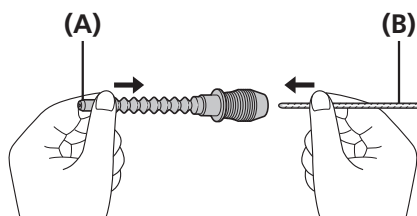
Wipe off any grease on the inner cable.

NOTICE

Use a new inner cable; do not use a cable which has had its end cut off.



4



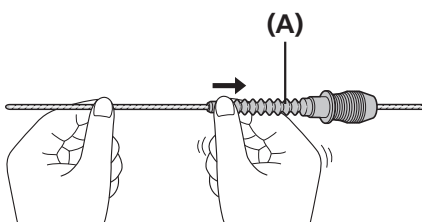
While holding the end of the rubber bellows, insert the inner cable.

(A) End of rubber bellows
(B) Inner cable

NOTICE

Be careful not to pierce the rubber bellows with the end of the inner cable at this time.

5



Slide the rubber bellows onto the inner cable.

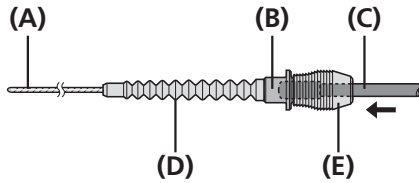
(A) Rubber bellows



Click here for the latest Dealer's Manual

<https://si.shimano.com/DM/CASG001>

6

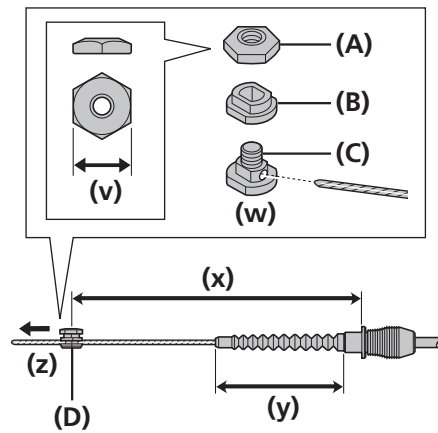


Insert the outer casing into the rubber cover and set it into the outer casing holder body.

Push the outer casing so that it securely touches the outer casing holder body.

- (A) Inner cable
- (B) Outer casing holder body
- (C) Outer casing
- (D) Rubber bellows
- (E) Rubber cover

7



After checking that the end of the outer casing is securely set in the cable adjustment barrel of the shift lever, attach the inner cable mounting bolt unit to the inner cable.

- (v) 10 mm
- (w) Pass the inner cable through the hole
- (x) 127 mm
- (y) 63 mm or less
- (z) Pull the inner cable when securing

- (A) Inner cable mounting nut (Black)
- (B) Inner cable mounting washer (Silver)
- (C) Inner cable mounting bolt (Silver)
- (D) Inner cable mounting bolt unit

Tightening torque

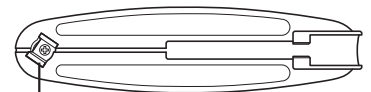


3.5 - 5.5 N·m

NOTICE

- This inner cable mounting bolt unit is designed only for CJ-NX10, CJ-NX40, CJ-8S20, and CJ-8S40. 11-speed mounting bolt units cannot be used.
- The tool is shipped ready to be used for CJ-NX10 and CJ-8S20.
- When installing the inner cable mounting bolt unit, use the setting tool TL-CJ40 (Y70898020).
- For CJ-NX40 and CJ-8S40, use the reverse side of TL-CJ40. Replace the nut fitting as shown in the illustration.

Reverse side of TL-CJ40



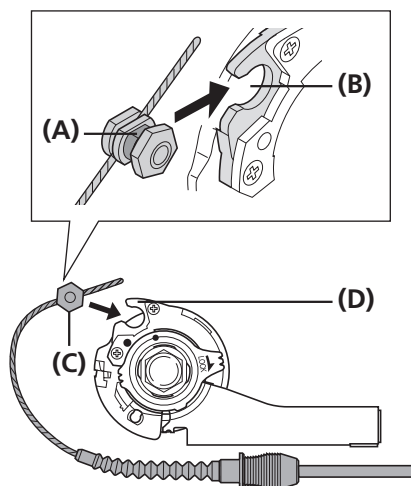
Nut fitting



Click here for the latest Dealer's Manual

<https://si.shimano.com/DM/CASG001>

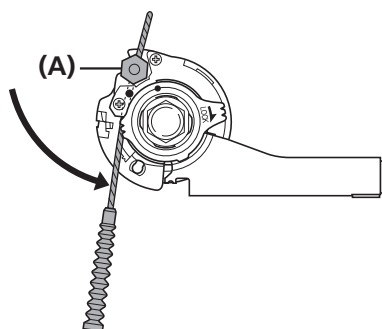
8



Bring the cable around to the cassette joint pulley, hold it so that the inner cable fixing nut is facing outwards (towards the rear dropout), and then slide the flats part of the inner cable fixing washer into the gap in the pulley.

- (A) Flats part of inner cable fixing washer
- (B) Gap in pulley
- (C) Inner cable fixing nut
- (D) Pulley

9

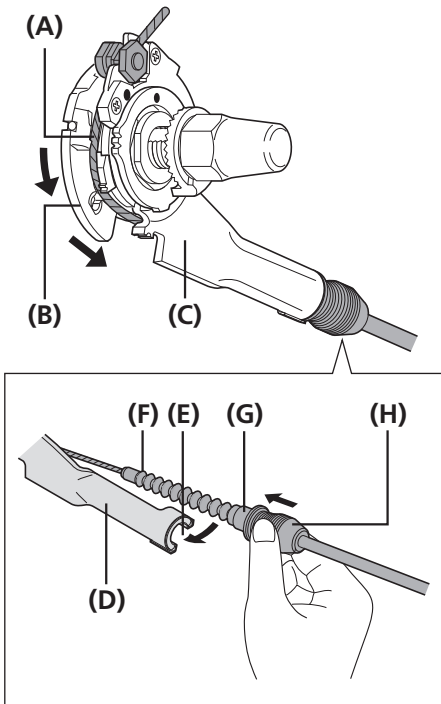


Turn the cable 60° counterclockwise and attach it to the hook.

- (A) Hook



10



Mount the inner cable into the pulley as shown in the illustration.

Holding the rubber cover, insert the rubber bellows part of the inner cable into the slit in the cassette joint bracket.

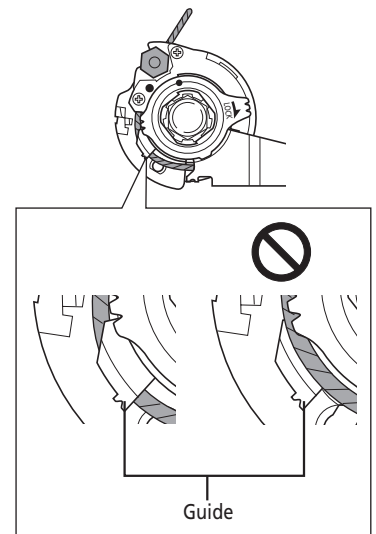
Next, insert the outer casing holder body securely into the outer casing holder section of the cassette joint.

Be careful not to damage the rubber bellows at this time.

- (A) Inner cable
- (B) Pulley
- (C) Bracket
- (D) Outer casing holder section
- (E) Slit
- (F) Rubber bellows
- (G) Outer casing holder body
- (H) Rubber cover

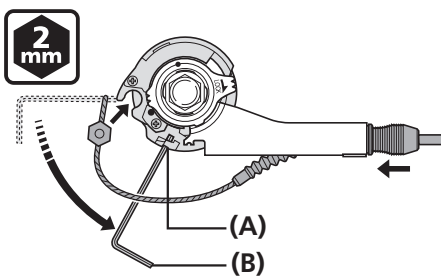
NOTICE

Check that the inner cable is correctly seated inside the pulley guide.



When inserting outer casing holder into outer casing holder section of cassette joint

10



Insert the outer casing holder into the outer casing holder section of the cassette joint.

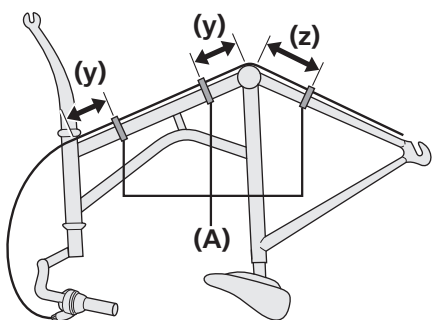
Insert a 2 mm hexagon wrench or a #14 spoke into the hole in the pulley, and then turn the pulley.

Fit the inner cable mounting bolt unit into the gap in the pulley.

- (A) Hole in pulley
- (B) 2 mm hexagon wrench or #14 spoke



11



Finally, fix the cable on the frame with the outer casing bands.

(y) 10 cm

(z) 15 cm

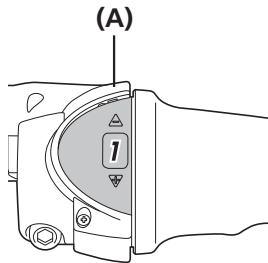
(A) Outer casing bands



ADJUSTMENT

■ Adjusting the cassette joint

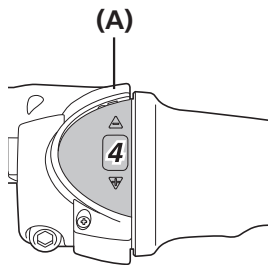
1



Set the REVOSHIFT lever to 1.

(A) REVOSHIFT lever

2

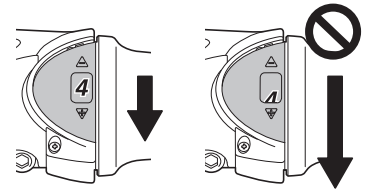


Set the REVOSHIFT lever to 4.

(A) REVOSHIFT lever

NOTICE

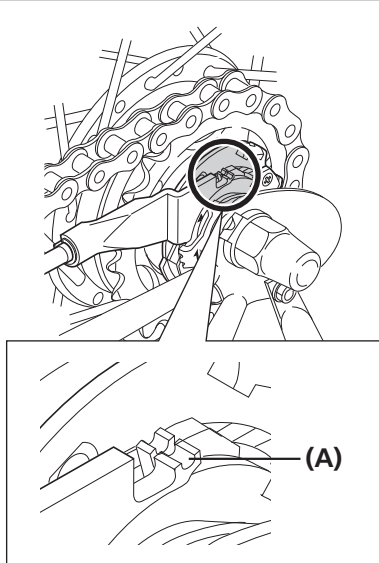
When setting, do so gradually and with minimal force so as to avoid over-shifting. If you over-shift, the setting line will not return to the proper position, and the setting lines may not be aligned at the correct position. (Refer to procedure 3)



Click here for the latest Dealer's Manual

<https://si.shimano.com/DM/CASG001>

3

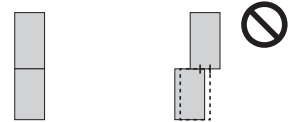


Check that the yellow setting lines on the cassette joint bracket and pulley are aligned with each other.

(A) Yellow setting lines

NOTICE

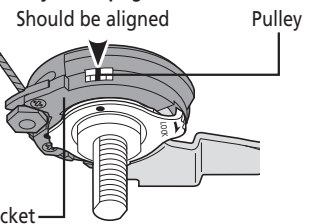
If the overlapping area falls short of two thirds of each setting line, the gears may not be properly engaged during pedaling, resulting in abnormal noise or free spinning of the pedals.



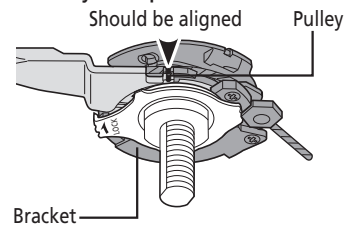
TECH TIPS

The yellow setting lines on the cassette joint are located in two places. Use the one that is easiest to see.

When the bicycle is upright



When the bicycle is upside down

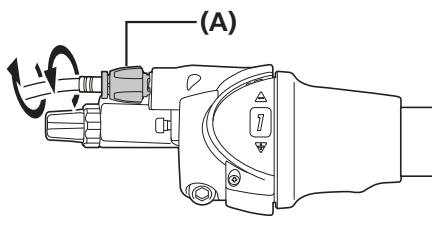


Click here for the latest Dealer's Manual

<https://si.shimano.com/DM/CASG001>

If the yellow setting lines are not aligned

3



(A)

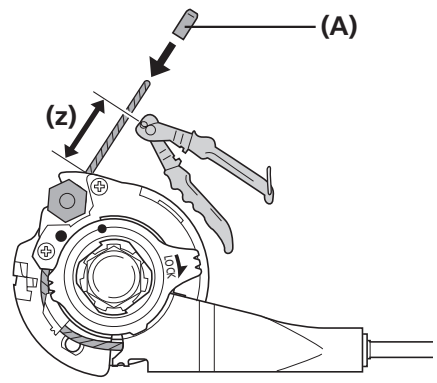
Turn the cable adjustment barrel of the REVOSHIFT lever to align the setting lines.

Again, move the REVOSHIFT lever from X to Y, then back to X, and confirm that the yellow setting lines are aligned.

	X	Y
8-speed	4	1

(A) Cable adjustment barrel

4



(A)

(z)

After adjusting the cassette joint, cut off the excess length of inner cable.

Next, install the inner end cap.

(z) 15 - 20 mm

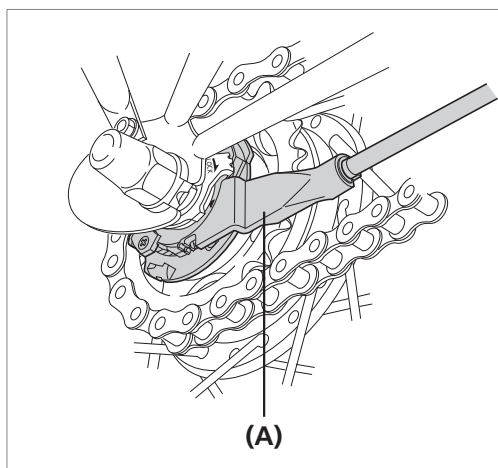
(A) Inner end cap



MAINTENANCE

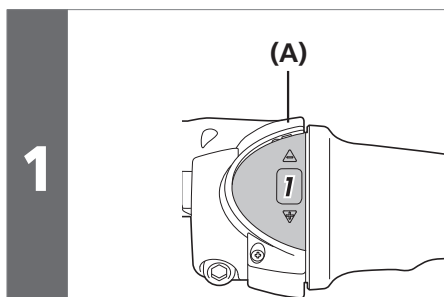
■ Disconnecting the shifting cable when removing the rear wheel from the frame

CJ-NX10 / CJ-8S20



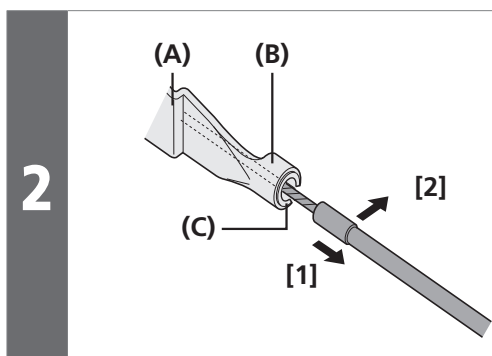
Disconnect the cable from the cassette joint when removing the rear wheel from the frame.

(A) Cassette joint



Set the REVOSHIFT lever to 1.

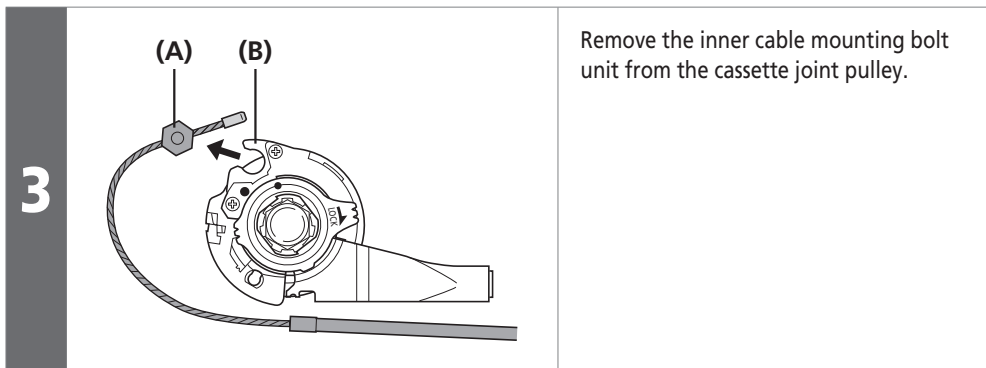
(A) REVOSHIFT lever



Pull out the outer casing from the outer casing holder section of the cassette joint, and remove the inner cable from the slit in the bracket.

(A) Bracket
(B) Outer casing holder section
(C) Slit

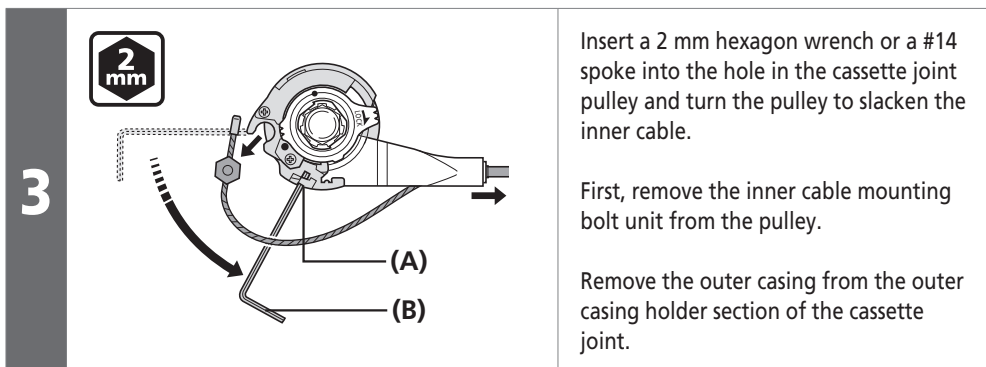




Remove the inner cable mounting bolt unit from the cassette joint pulley.

- (A) Inner cable mounting bolt unit
- (B) Cassette joint pulley

When it is difficult to remove the outer casing from the outer casing holder section of the cassette joint



Insert a 2 mm hexagon wrench or a #14 spoke into the hole in the cassette joint pulley and turn the pulley to slacken the inner cable.

First, remove the inner cable mounting bolt unit from the pulley.

Remove the outer casing from the outer casing holder section of the cassette joint.

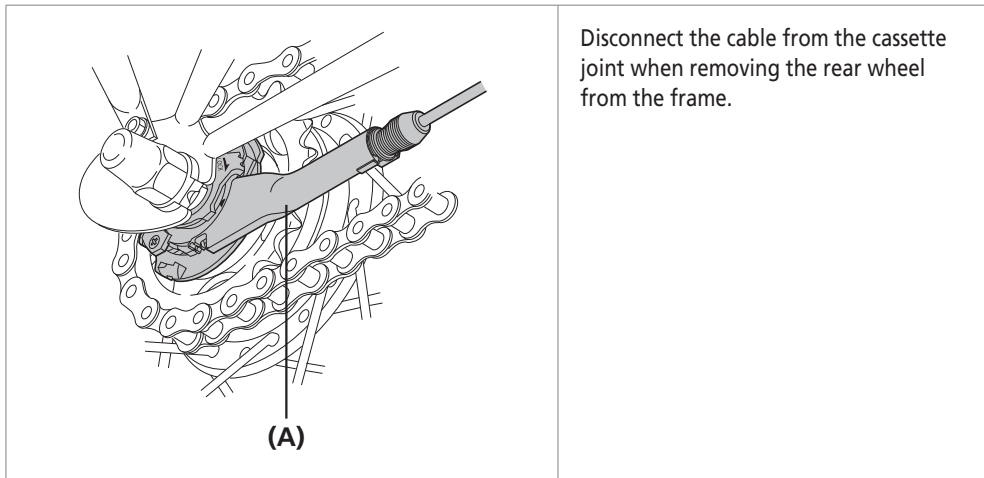
- (A) Hole in pulley
- (B) 2 mm hexagon wrench or #14 spoke



When remounting the cable, refer to the section "Installation of the shifting cable".

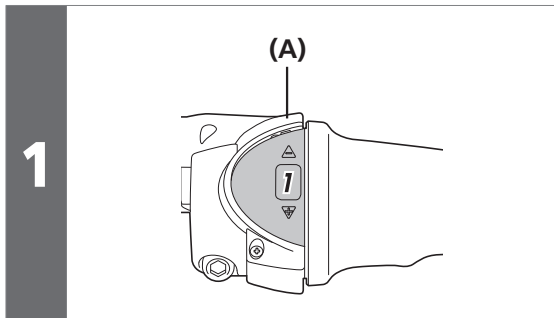


CJ-NX40 / CJ-8S40



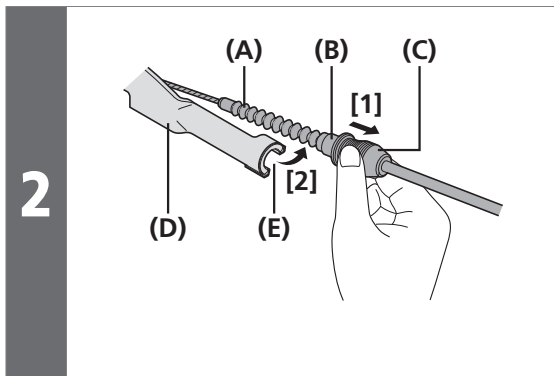
Disconnect the cable from the cassette joint when removing the rear wheel from the frame.

(A) Cassette joint



Set the REVOSHIFT lever to 1.

(A) REVOSHIFT lever



Hold the rubber cover and remove the outer casing holder body from the outer casing holder section of the cassette joint [1].

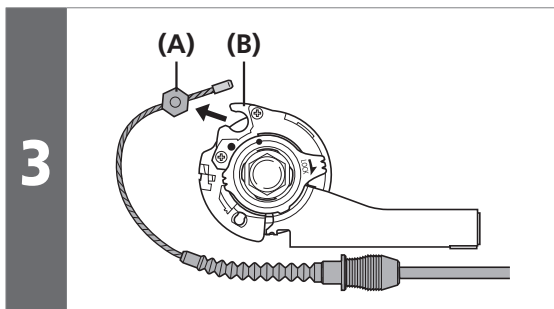
Remove the rubber bellows portion of the inner cable from the slit in the bracket [2].

Be careful not to damage the rubber bellows at this time.

- (A) Rubber bellows
- (B) Outer casing holder body
- (C) Rubber cover
- (D) Outer casing holder section
- (E) Slit

NOTICE

Do not remove the cable by pulling the outer casing.

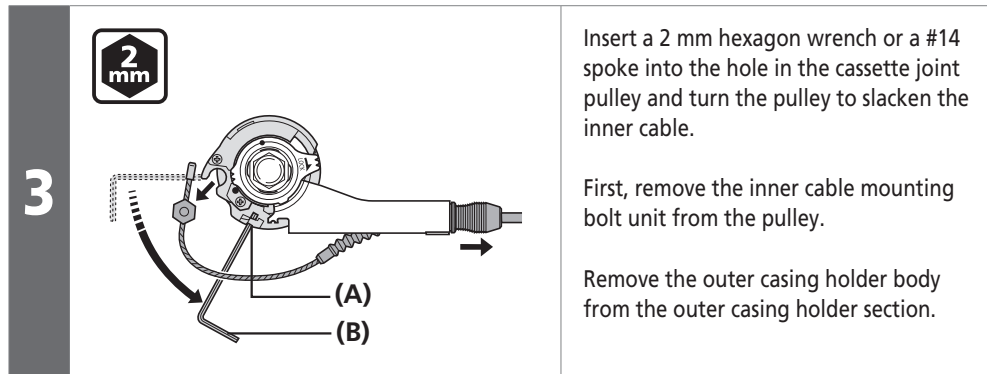


Remove the inner cable mounting bolt unit from the cassette joint pulley.

- (A) Inner cable mounting bolt unit
- (B) Cassette joint pulley



When it is difficult to remove the outer casing holder body from the outer casing holder section of the cassette joint



Insert a 2 mm hexagon wrench or a #14 spoke into the hole in the cassette joint pulley and turn the pulley to slacken the inner cable.

First, remove the inner cable mounting bolt unit from the pulley.

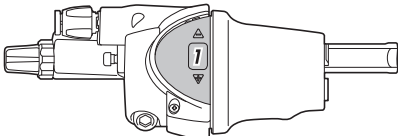
Remove the outer casing holder body from the outer casing holder section.

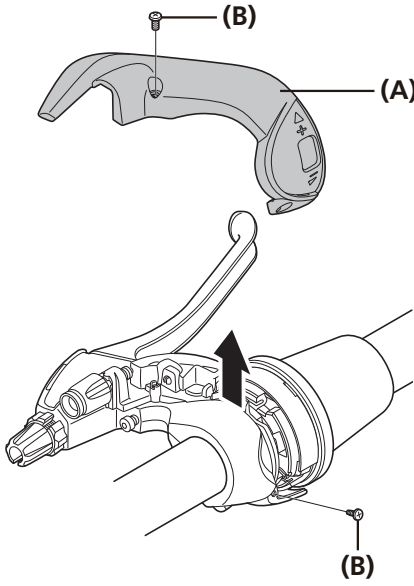
(A) Hole in pulley

(B) 2 mm hexagon wrench or #14 spoke

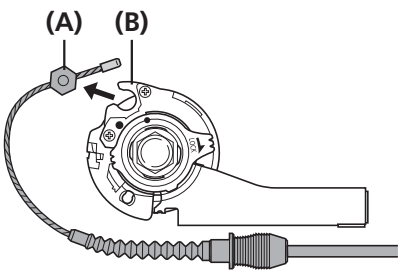


■ Replacing the inner cable

1		Set the REVOSHIFT lever to 1.
----------	---	-------------------------------

2		Loosen the cover fixing screws, and then remove the cover.
----------	--	--

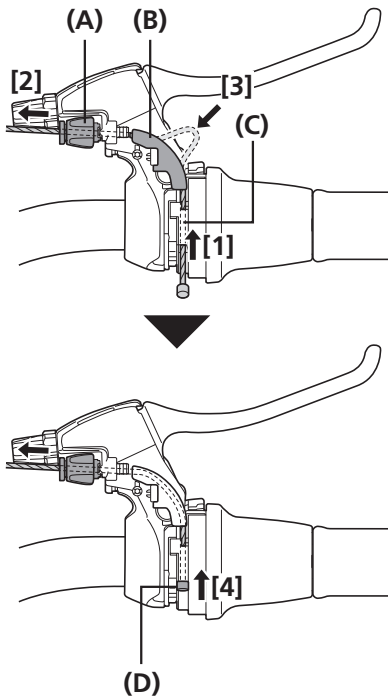
(A) Cover
(B) Cover fixing screw

3		Remove the inner cable mounting bolt unit from the cassette joint pulley.
----------	---	---

(A) Inner cable mounting bolt unit
(B) Cassette joint pulley



4



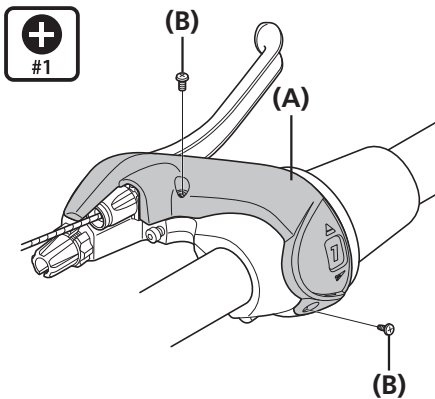
Pass the inner cable from the hole in the winder unit through the hole in the cable adjustment barrel.

Next, insert the inner cable into the groove of the cable guide.

Next, pull the inner cable so that the inner cable drum fits into the recess in the winder unit.

- (A) Hole in cable adjustment barrel
- (B) Groove of cable guide
- (C) Hole in winder unit
- (D) Recess in winder unit

5



Replace the cover and tighten the cover fixing screws.

- (A) Cover
- (B) Cover fixing screw

Tightening torque	
	0.1 - 0.2 N·m



Oil maintenance of the internal assembly

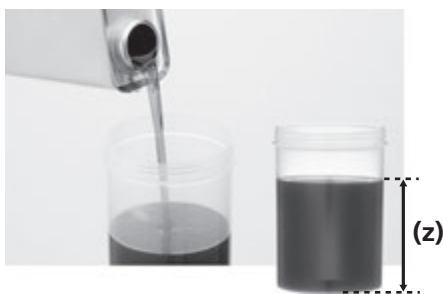
In order to maintain proper performance, it is recommended that you lubricate the internal unit after riding 1,000 km from the start of use, then after about once every year (or once about every 2,000 km if the bicycle is used very frequently). If the bicycle is used under harsh conditions, more frequent maintenance is required. Also, it is recommended to use SHIMANO internal geared hub grease or a lubrication kit for the maintenance. If SHIMANO grease or a SHIMANO lubrication kit is not used, problems such as a malfunction in the shifting unit may occur.

(A) WB maintenance oil set
(Y00298010)



(A)

1



Fill the container with maintenance oil to a height of 95 mm.

(z) 95 mm

2



Immerse the internal unit in the oil from the left side until the oil reaches up to ring gear unit 1, as shown in the illustration.

(z) Ring gear unit 1


3



Keep the internal unit immersed for approximately 90 seconds.



4



Remove the internal unit from the oil.

5



Let excess oil drain off for approximately 60 seconds.

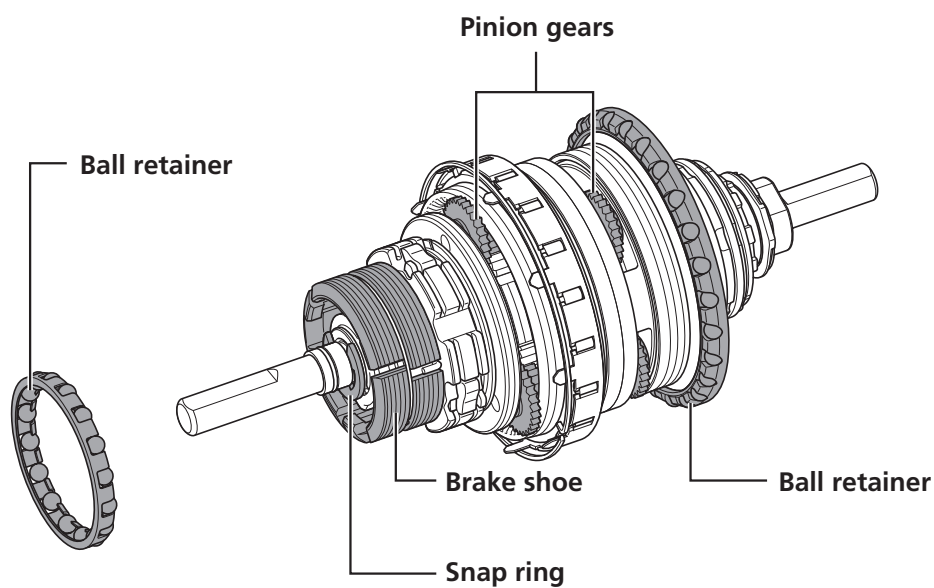
6



Reassemble the hub.

NOTICE

After oil maintenance, it is recommended that you apply Grease (Y04130100) to the ball retainers, snap ring, brake shoe, and pinion gears.



The illustration shows an example.



Click here for the latest Dealer's Manual

<https://si.shimano.com/DM/CASG001>

Troubleshooting

Troubleshooting

Check the following prior to performing adjustment or maintenance.

- All of the following occurrences are due to the internal gear-shifting structure and are not the failure of the internal components.

Phenomenon	Type of hub		Gear positions where phenomenon might occur
	For coaster brakes	For roller brakes/ V-BRAKE	
Noise occurs when the pedals rotate.	X	-	All gear positions except 1st
Noise occurs when the bicycle is pushed backward.	X	X	All gear positions except 1st
Depending on gear position, gear-shifting may feel different.	X	X	All gear positions
Noise occurs when pedal rotation is stopped during riding.	X	-	All gear positions

NOTICE

- If you cannot determine a definite cause for the malfunction, it is recommended to replace the internal assembly. (Refer to p.52)

Troubleshooting

		Symptom/cause		Solution	Reference page	
Gear shifting	Gear shifting is poor.	The cable has been routed inappropriately.		Check for any areas where the curvature of the cable is too tight. When using a SHIMANO genuine outer casing, the recommended minimum curvature is R30 mm.	-	
		Cable performance is poor.		Using a SHIMANO genuine cable/outer casing may improve this.	-	
		The cassette joint was adjusted while over-shifted.		Set the gear to 3rd from 5th. Adjust the cassette joint again. To avoid over-shifting the shifting lever, change the setting gradually and with minimal force.	P.21	
	Gear shifting is impossible.	The cable was not adjusted properly.		Turn the cable adjustment barrel on the REVOSHIFT lever and align the bracket on the cassette joint with the setting line on the pulley.	P.21	
		Check whether gear shifting is possible with the wheel removed from the frame.	Possible	The wheel was not installed properly to the frame.	Recheck the procedure for installing the hub to the frame.	P.8
			Not possible	There is a malfunction in the shifting lever.		Replace the lever with a new one.
There is a malfunction in the hub.		If something is broken inside, replace the broken part or unit. If nothing is broken or if you are unsure, replace the internal assembly.		P.52		
Abnormal noise	There is an abnormal noise.	The cable was not adjusted properly.		Set the gear to 3rd from 5th. Turn the cable adjustment barrel on the REVOSHIFT lever and align the bracket on the cassette joint with the setting line on the pulley.	P.21	
	The abnormal noise does not stop even after adjusting the cable.	During gear shifting.		Replace the internal assembly.	P.52	
		When pedaling.		If something is broken inside, replace the broken part or unit. If nothing is broken or if you are unsure, replace the internal assembly.	P.52	
When riding	The display on the indicator on the lever differs from the gear position of the hub.	The cable was not adjusted properly.		Set the gear to 3rd from 5th. Turn the cable adjustment barrel on the REVOSHIFT lever and align the bracket on the cassette joint with the setting line on the pulley.	P.21	
		Internal unit failure.		If something is broken inside, replace the broken part or unit. If nothing is broken or if you are unsure, replace the entire internal unit.	P.52	
	The hub is difficult to rotate, or does not rotate smoothly.	The cone is too tight.		Adjust the stop nut so that the hub shell can be turned smoothly without any gap. After adjusting, secure the stop nut with the locknut.	P.54	
		Internal unit failure.		If something is broken inside, replace the broken part or unit. If nothing is broken or if you are unsure, replace the entire internal unit.	P.52	
	There is rattling when pedaling.	The area around the cone is damaged.		Replace the right hand cone and driver unit.	P.60	
When not riding	Free rotation is not smooth while not pedaling.		Replace the shell, ball retainer and driver unit.	P.53,57,60		

Troubleshooting

The following items are for coaster brake models.

	Symptoms	Solution	Reference page
Brakes	The brakes are too sensitive.	Apply grease or replace the brake shoe unit	P.55
	The brakes are weak.	Replace the brake shoe unit. If this does not resolve the issue, replace the internal assembly.	P.52,55
	The pedal rotation angle is too large until the brakes are applied.	Replace the brake shoe unit. If this does not resolve the issue, replace the internal assembly.	P.52,55
	The wheels lock when the bicycle is pushed backward.	If something is broken inside, replace the broken part or unit. If nothing is broken or if you are unsure, replace the internal assembly.	P.52
	Applying the brakes causes an abnormal noise.	Apply grease or replace the brake shoe unit.	P.55
	Rotation feels heavy during free rotation.	Replace the brake shoe unit.	P.55

Disassembly & Assembly

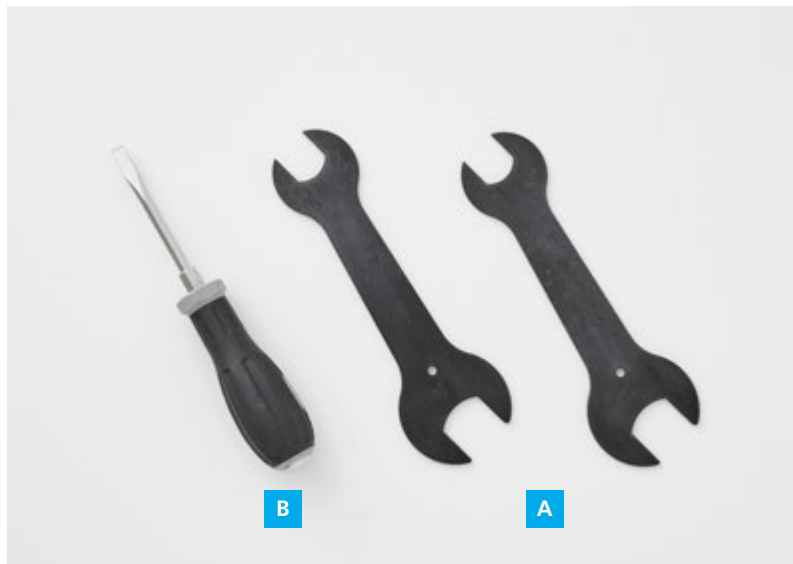
Required Tools

A: TL-7S20

Hub spanners

17 mm×22 mm (2 pcs.)

B: Slotted Screwdriver



Replacing the Internal Assembly

- 1. Hold the two beveled surfaces of the hub axle on the brake arm side in a vise and remove the dust cap.**



NOTICE

- Forcibly pulling it may cause damage to the dust cap because of its material properties.
- Do not damage the threads of the hub axle.

- 2. Remove the lock nut and stop nut.**

- (1) Secure the hub back into place with the drive side downward.
- (2) Use TL-7S20 to remove the nut.



- 3. Remove the brake arm unit and ball retainer from the hub axle.**



Replacing the Internal Assembly

4. Remove the hub shell.



5. The internal assembly can be replaced.

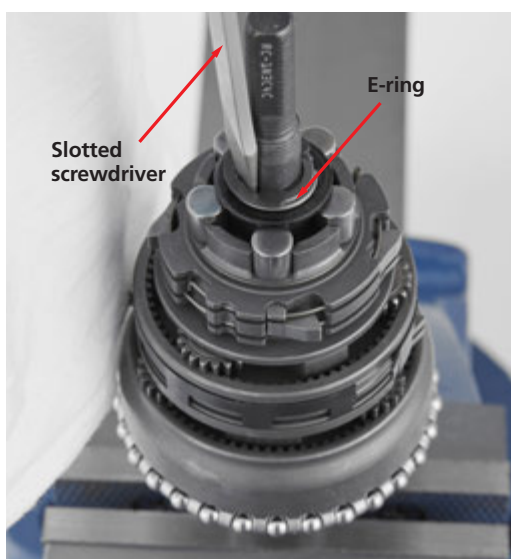


Disassembling the Internal Assembly

1. Remove the brake shoe unit.



2. Carefully remove the E-ring with a slotted screwdriver.



NOTICE

- The E-ring detaches with some force, so be careful not to lose it.
- Do not reuse an E-ring that has been removed.

3. Lift Carrier Unit 2 and Ring Gear Unit 2 straight up and remove them.



Disassembling the Internal Assembly

4. Remove Sun Gear 3.



5. Lift Sun Gear Guide Ring 2, Sun Gear 2, Carrier Unit 1, and Ring Gear Unit 1 straight up and remove them.



6. Remove ball retainer H while pushing down the tab on the driver unit with a slotted screwdriver or other tool.



This completes the disassembly.

Disassembling the Internal Assembly

NOTICE

- The unit is disassembled as shown below.



Assembling the Internal Assembly

NOTICE

- Although there is white-colored and black-colored grease, the two types can be mixed during use.



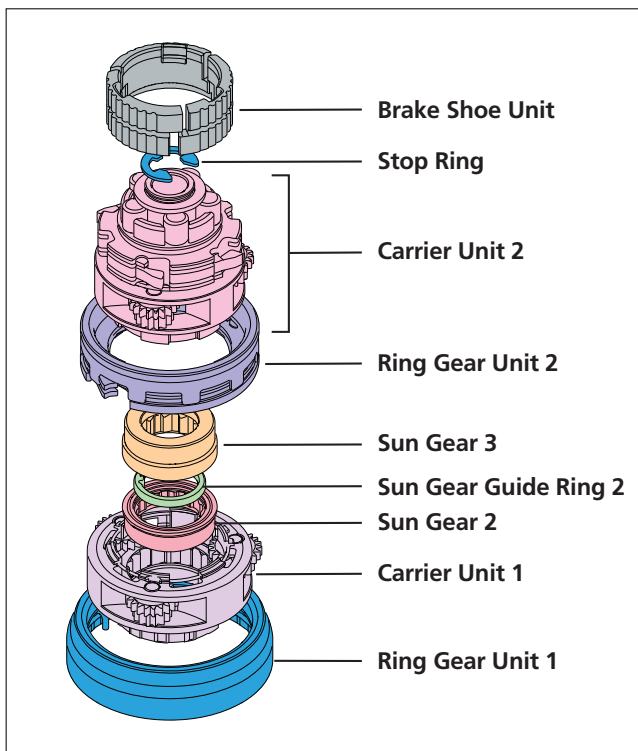
(Y-041020800)

1. Install ball retainer H while pushing down the tab on the driver unit with a slotted screwdriver or other tool.



NOTICE

- The carrier unit is structured from the following parts.



Assembling the Internal Assembly

2. Align the position of ring gear unit 1 as shown in the picture. Install ring gear unit 1 while pushing down the tab on the driver unit with a slotted screwdriver or other tool.



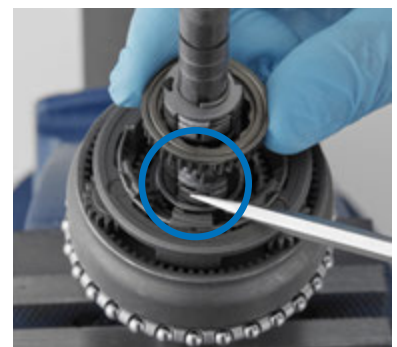
3. Install carrier unit 1 while slightly rotating it left and right.



NOTICE

- Do not insert carrier unit 1 forcibly. The tab on the axle unit may come off.

4. Install sun gear 2 while pushing down the tab on the axle unit with a slotted screwdriver or other tool.



Assembling the Internal Assembly

5. Align the convex section of sun gear guide ring 2 with the concave section of the axle unit to install as shown in the picture.



6. Install sun gear 3.



7. Install ring gear unit 2.



Assembling the Internal Assembly

8. Install carrier unit 2.



9. Push down the carrier unit from above to expose the groove where the stop ring is inserted, then install the stop ring.



10. Install the brake shoe unit.

Install so that the end of the slide spring on the hub fits into the gap in the brake shoe.



Brake shoe unit



NOTICE

- Keep the vertical direction of the brake shoe unit in mind as you install it.



Upper side



Lower side

Assembling the Internal Assembly

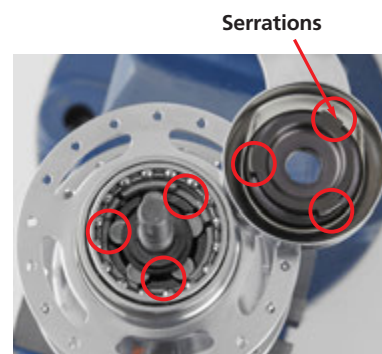
11. Install the hub shell.



12. Place ball retainer onto the hub shell.

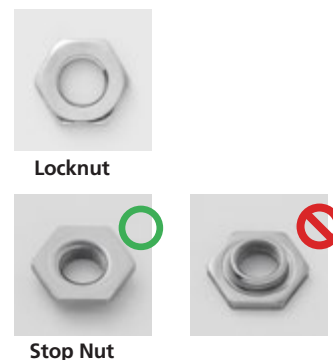


13. Install the brake arm unit ensuring that the serrations are engaged as shown in the picture.

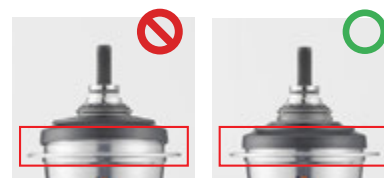


Assembling the Internal Assembly

- 14.** Screw the stop nut to adjust so that the hub shell can be turned smoothly without any play. After adjusting, secure the stop nut with the locknut.



- 15.** Turn the unit over, secure it back in the vise, and install the dust cap.



- 16.** Assembly is now complete.



Service Parts & Tools

Service Parts and Tools

Cassette Joint



CJ-NX10



CJ-NX40

Measurement Tool



TL-CJ40

Service Parts and Tools

Application chart

	Reversed type rear dropout	Standard type rear dropout	
5R 5L			
6R 6L			
7R 7L			
9R 9L			

	Vertical type rear dropout	
8R 8L		

Interchangeability

Interchangeability

		Compatible Products
Internal Unit	SG-C3001-7R/V	SG-C3001-7R/V SG-C3000-7R/V SG-7R45/46 SG-7R50
	SG-C3001-7C	SG-C3001-7C SG-C3000-7C SG-7C15/16/18 SG-7C25/26 SG-7C30
	SG-C3001-7C-DX	SG-C3001-7C-DX SG-C3000-7C-DX SG-7C15/16/18-DX SG-7C25/26-DX SG-7C30-DX
	SG-C3001-7D	SG-C3001-7D

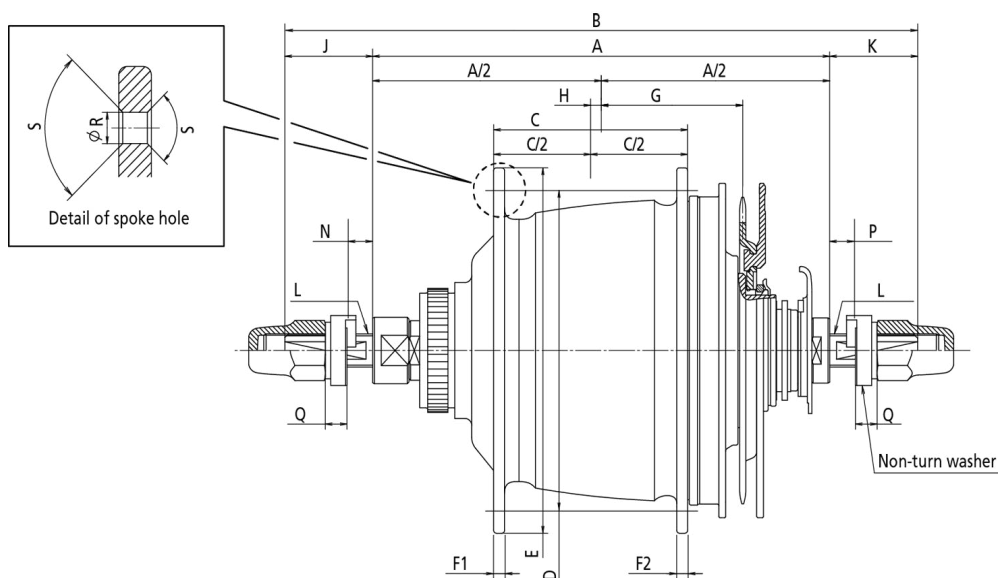
(NOTE) *The specifications differ depending on the length of the axle etc. Therefore, follow the compatibility of the axle length and such.

Hub dimensions

(Over Locknut Dimensions and Axle)

Hub dimensions (Over Locknut Dimensions and Axle)

SG-C3001-7R/SG-C3001-7C/SG-C3001-7D

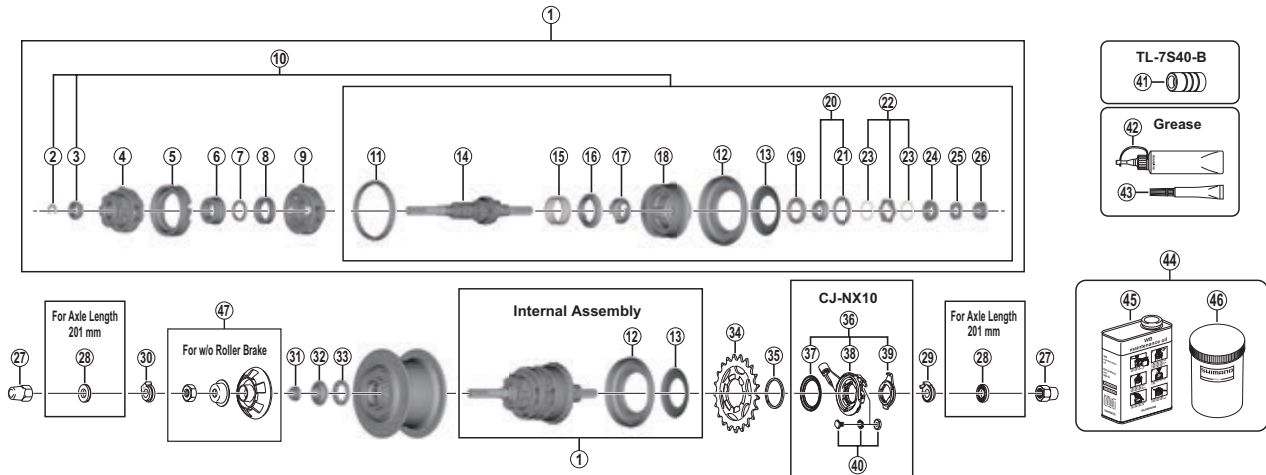


Series	NEXUS		
	INTER-7		
Function name	INTER-7		INTER-7
Model No.	SG-C3001-7R		SG-C3001-7C
Speed	7		
Gear ratio: Total	244%		
Spoke size	#13 / #14		
A Over locknut dim. / O.L.D. (mm)	130		135
B Axle length (mm)	182	201	187
C Flange distance (mm)	54.6		54.6
D Spoke hole P.C.D. (mm)	87		87
E Flange diameter (mm)	99.6		99.6
F Flange width (mm): F1 (left)	3.2		3.2
F Flange width (mm): F2 (right)	3.2		3.2
G Chain line (mm): G1 (outward assembly)	45.3		46.8
G Chain line (mm): G2 (inward assembly)	40.3		41.8
H Offset (mm)	3.85		2.5
J Axle length from hub (left)	26	37	26
K Axle length from hub (right)	26	34	26
L Axle size	BC3 / 8 TPI 26		
N Rear dropout mounting width (left, includes stay etc.)	4-9	15-20	5-9
P Rear dropout mounting width (right, includes stay etc.)	4-9	12-17	5-9
Q Non-turn washer width			6.4
R Spoke hole diameter (mm)	2.9		2.9
S Spoke hole chamfer	90°		90°

EV / Spare Parts List

Spare parts list

NEXUS 7-Speed Internal Hub SG-C3001-7R

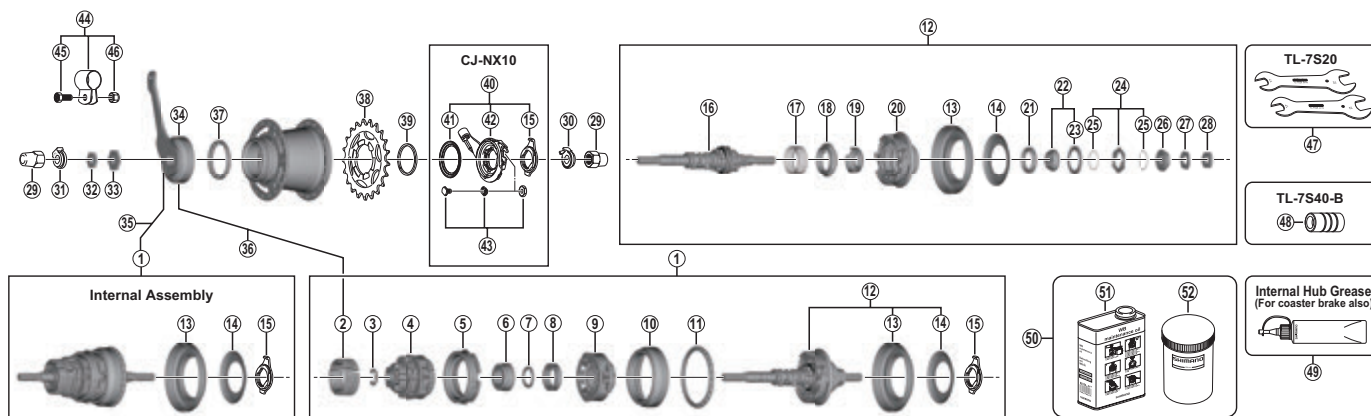


ITEM NO.	SHIMANO CODE NO.	DESCRIPTION
1	Y3ET98010	Internal Assembly (Axle Length 182 mm)
	Y3ET98020	Internal Assembly (Axle Length 201 mm)
2	Y30807000	Stop Ring for Carrier Guide 2
3	Y33E03000	Carrier Guide 2
4	Y3EW98020	Carrier Unit 2
5	Y38P98040	Ring Gear Unit 2
6	Y3EV09000	Sun Gear 3
7	Y38R11000	Sun Gear Guide Ring 2
8	Y3EV08000	Sun Gear 2
9	Y38P98050	Carrier Unit 1
10	Y3ET98030	Carrier guide 2 / Axle & Driver Unit (Axle Length 182 mm)
	Y3ET98040	Carrier guide 2 / Axle & Driver Unit (Axle Length 201 mm)
11	Y33091800	Ball Retainer M (3/16" x 26)
12	Y35C07000	Right Hand Dust Cap B
13	Y33Z26000	Right Hand Dust Cap C
14	Y3ET98050	Axle Unit (Axle Length 182 mm)
	Y3ET98060	Axle Unit (Axle Length 201 mm)
15	Y33024000	Return Spring A
16	Y33Z10000	Gear Shifting Cam
17	Y3EV02000	Feed Cam
18	Y35D98120	Driver Unit
19	Y33091600	Ball Retainer F (3/16" x 12)
20	Y39098160	Right Hand Cone w/Seal
21	Y35K07000	Right Hand Cone Seal
22	Y33F98040	Driver Plate w/Seal
23	Y33012000	Driver Plate Seal
24	Y33E98120	Lock Washer
25	Y33Z08000	Stop Washer
26	Y30803020	Right Hand Lock Nut (6 mm)
27	Y31414010	Cap Nut (3/8")
28	Y22006040	Washer (3.2 mm) for Axle Length 201 mm
	Y33Z20500	Non-turn Washer 5R (Yellow)
	Y33M39600	Non-turn Washer 6R (Silver)
	Y33M39700	Non-turn Washer 7R (Black)

ITEM NO.	SHIMANO CODE NO.	DESCRIPTION
30	Y33M39510	Non-turn Washer 5L (Brown)
	Y33M39610	Non-turn Washer 6L (White)
	Y33M39710	Non-turn Washer 7L (Gray)
31	Y31Z06020	Lock Nut for Left Hand Cone
32	Y38P98100	Left Hand Cone w/Dust Cap
33	Y38P98110	Ball Retainer I (3/16" x 11)
34	Y32203220	Sprocket Wheel 16T (Silver)
	Y32203420	Sprocket Wheel 18T (Silver)
	Y32203520	Sprocket Wheel 19T (Silver)
	Y32203620	Sprocket Wheel 20T (Silver)
	Y33060000	Sprocket Wheel 21T (Silver)
	Y33060100	Sprocket Wheel 22T (Silver)
	Y33060200	Sprocket Wheel 23T (Silver)
35	Y32120100	Snap Ring C
36	Y74Y98050	CJ-NX10 Cassette Joint Unit
	Y74V98010	CJ-NX10 Cassette Joint Unit for Belt drive system
37	Y74Y18000	Driver Cap
38	Y74Y93100	CJ-NX10 Cassette Joint
	Y74V98020	CJ-NX10 Cassette Joint for Belt drive system
39	Y33Z98020	Cassette Joint Fixing Ring
40	Y74Y98060	Inner Cable Fixing Bolt Unit
41	Y30889000	TL-7S40-B Right Hand Cone Tool
42	Y04120800	Internal Hub Grease (Net. 100g)
	Y04120400	Roller Brake Grease (Net. 100g)
43	Y04140020	Roller Brake Grease (Net. 10g)
44	Y00298010	WB maintenance oil set
45	Y00201000	WB maintenance oil (1L)
46	Y00201100	Bottle
47	Y38A98010	Left Hand Dust Cap Unit
-	Y35D08000	Right Hand Hub Cup

Spare parts list

NEXUS 7-Speed Internal Hub
SG-C3001-7C

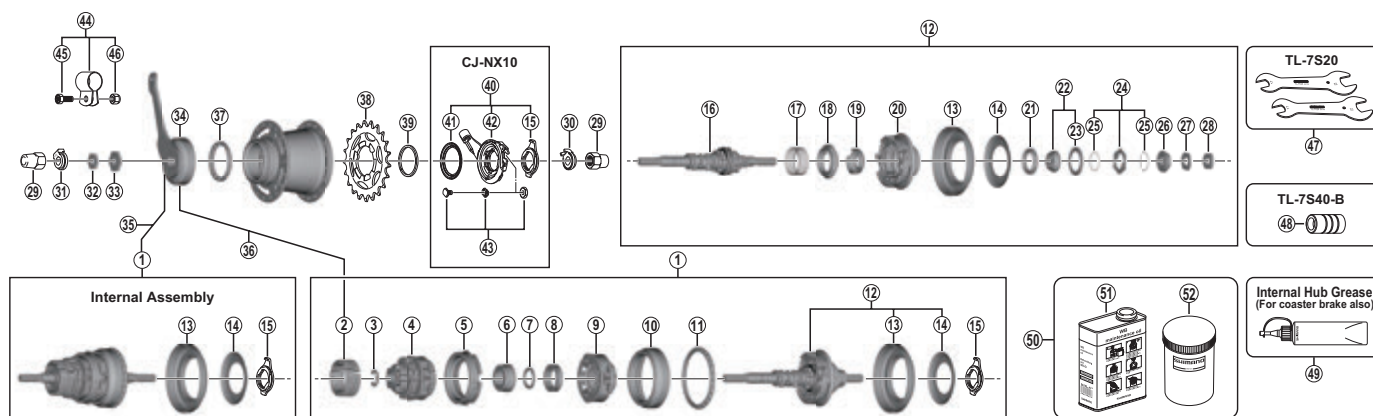


ITEM NO.	SHIMANO CODE NO.	DESCRIPTION
1	Y3EV98150	Internal Assembly (Axle Length 175.5 mm)
2	Y38R98040	Brake Shoe Unit
3	Y32532000	Stop Ring (ø9 mm)
4	Y3EV98030	Carrier Unit 2
5	Y35K98040	Ring Gear Unit 2
6	Y3EV09000	Sun Gear 3
7	Y38R11000	Sun Gear Guide Ring 2
8	Y3EV08000	Sun Gear 2
9	Y38P98050	Carrier Unit 1
10	Y35K98050	Ring Gear Unit 1
11	Y38R98060	Ball Retainer H (3/16" x 29)
12	Y3EV98160	Axle & Driver Unit (Axle Length 175.5 mm) w/Right Hand Dust Cap B & C
13	Y35B05000	Right Hand Dust Cap B
14	Y33Z26000	Right Hand Dust Cap C
15	Y33Z98020	Cassette Joint Fixing Ring
16	Y3EV98060	Axle Unit (Axle Length 175.5mm)
17	Y33024000	Return Spring A
18	Y33Z10000	Gear Shifting Cam
19	Y3EV02000	Feed Cam
20	Y35K98080	Driver Unit
21	Y33091600	Ball Retainer F (3/16" x 12)
22	Y39098160	Right Hand Cone w/Seal
23	Y35K07000	Right Hand Cone Seal
24	Y33F98040	Driver Plate w/Seal
25	Y33012000	Driver Plate Seal
26	Y33E98120	Lock Washer
27	Y33Z08000	Stop Washer
28	Y33Z07020	Right Hand Lock Nut (3.4 mm)
29	Y31414010	Cap Nut (3/8")
30	Y33Z20500	Non-turn Washer 5R (Yellow)
	Y33M39600	Non-turn Washer 6R (Silver)
	Y33M39700	Non-turn Washer 7R (Black)
31	Y33M39510	Non-turn Washer 5L (Brown)
	Y33M39610	Non-turn Washer 6L (White)
	Y33M39710	Non-turn Washer 7L (Gray)

ITEM NO.	SHIMANO CODE NO.	DESCRIPTION
32	Y32138040	Lock Nut (3.5 mm)
33	Y33548110	Stop Nut
34	Y38R98120	Brake Arm Unit (Silver)
	Y3EV98170	Brake Arm Unit (Black)
35	Y3EV98180	Internal Assembly (Axle Length 175.5 mm) & Brake Arm Unit (Silver)
	Y3EV98190	Internal Assembly (Axle Length 175.5 mm) & Brake Arm Unit (Black)
36	Y3EV98200	Brake Shoe Unit & Brake Arm Unit (Silver)
	Y3EV98210	Brake Shoe Unit & Brake Arm Unit (Black)
37	Y38R98190	Ball Retainer B (3/16" x 16)
38	Y32203220	Sprocket Wheel 16T (Silver)
	Y32203420	Sprocket Wheel 18T (Silver)
	Y32203520	Sprocket Wheel 19T (Silver)
	Y32203620	Sprocket Wheel 20T (Silver)
	Y33060000	Sprocket Wheel 21T (Silver)
	Y33060100	Sprocket Wheel 22T (Silver)
39	Y33060200	Sprocket Wheel 23T (Silver)
	Y32120100	Snap Ring C
40	Y74Y98050	CJ-NX10 Cassette Joint Unit
	Y74V98010	CJ-NX10 Cassette Joint Unit for Belt drive system
41	Y74Y18000	Driver Cap
42	Y74Y93100	CJ-NX10 Cassette Joint
	Y74V98020	CJ-NX10 Cassette Joint for Belt drive system
43	Y74Y98060	Inner Cable Fixing Bolt Unit
44	Y33F98090	Brake Arm Clip Unit (5/8")
45	Y75M06000	Clip Screw (M6 x 16)
46	Y31727200	Clip Nut
47	Y13098900	TL-7S20 Hub Spanner (17 mm x 22 mm) 2 pcs.
48	Y30889000	TL-7S40-B Right Hand Cone Tool
49	Y04120800	Internal Hub Grease (Net. 100g)
50	Y00298010	WB maintenance oil set
51	Y00201000	WB maintenance oil (1L)
52	Y00201100	Bottle

Spare parts list

NEXUS 7-Speed Internal Hub
SG-C3001-7C-DX

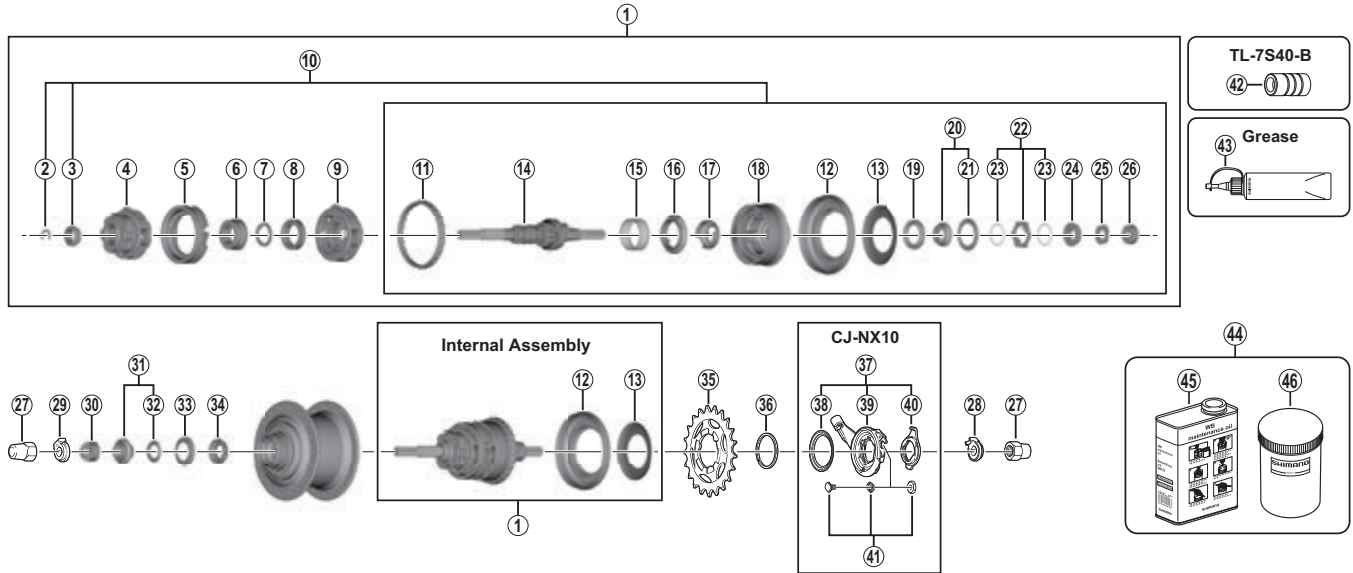


ITEM NO.	SHIMANO CODE NO.	DESCRIPTION
1	Y3EV98010	Internal Assembly (Axle Length 175.5 mm) DX
	Y3EV98020	Internal Assembly (Axle Length 184 mm) DX
2	Y38R98040	Brake Shoe Unit
3	Y32532000	Stop Ring (ø9 mm)
4	Y3EV98030	Carrier Unit 2
5	Y35K98040	Ring Gear Unit 2
6	Y3EV09000	Sun Gear 3
7	Y38R11000	Sun Gear Guide Ring 2
8	Y3EV08000	Sun Gear 2
9	Y38P98050	Carrier Unit 1
10	Y35K98050	Ring Gear Unit 1
11	Y38R98060	Ball Retainer H (3/16" x 29)
12	Y3EV98040	Axle & Driver Unit (Axle Length 175.5 mm) w/Right Hand Dust Cap B & C (DX)
	Y3EV98050	Axle & Driver Unit (Axle Length 184 mm) w/Right Hand Dust Cap B & C (DX)
13	Y35K06000	Right Hand Dust Cap B (DX)
14	Y33Z26000	Right Hand Dust Cap C
15	Y33Z98020	Cassette Joint Fixing Ring
16	Y3EV98060	Axle Unit (Axle Length 175.5mm)
	Y3EV98070	Axle Unit (Axle Length 184mm)
17	Y33024000	Return Spring A
18	Y33Z10000	Gear Shifting Cam
19	Y3EV02000	Feed Cam
20	Y35K98080	Driver Unit
21	Y33091600	Ball Retainer F (3/16" x 12)
22	Y39098160	Right Hand Cone w/Seal
23	Y35K07000	Right Hand Cone Seal
24	Y33F98040	Driver Plate w/Seal
25	Y33012000	Driver Plate Seal
26	Y33E98120	Lock Washer
27	Y33Z08000	Stop Washer
28	Y33Z07020	Right Hand Lock Nut (3.4 mm)
29	Y31414010	Cap Nut (3/8")
30	Y33Z20500	Non-turn Washer 5R (Yellow)
	Y33M39600	Non-turn Washer 6R (Silver)
	Y33M39700	Non-turn Washer 7R (Black)
31	Y33M39510	Non-turn Washer 5L (Brown)
	Y33M39610	Non-turn Washer 6L (White)
	Y33M39710	Non-turn Washer 7L (Gray)

ITEM NO.	SHIMANO CODE NO.	DESCRIPTION
32	Y32138040	Lock Nut (3.5 mm)
33	Y33548110	Stop Nut
34	Y38R98130	Brake Arm Unit (Silver/DX)
	Y3EV98080	Brake Arm Unit (Black/DX)
35	Y3EV98090	Internal Assembly (Axle Length 175.5 mm) & Brake Arm Unit (Silver/DX)
	Y3EV98100	Internal Assembly (Axle Length 175.5 mm) & Brake Arm Unit (Black/DX)
	Y3EV98110	Internal Assembly (Axle Length 184 mm) & Brake Arm Unit (Silver/DX)
36	Y3EV98120	Internal Assembly (Axle Length 184 mm) & Brake Arm Unit (Black/DX)
	Y3EV98130	Brake Shoe Unit & Brake Arm Unit (Silver/DX)
37	Y3EV98140	Brake Shoe Unit & Brake Arm Unit (Black/DX)
	Y38R98190	Ball Retainer B (3/16" x 16)
38	Y32203220	Sprocket Wheel 16T (Silver)
	Y32203420	Sprocket Wheel 18T (Silver)
	Y32203520	Sprocket Wheel 19T (Silver)
	Y32203620	Sprocket Wheel 20T (Silver)
	Y33060000	Sprocket Wheel 21T (Silver)
	Y33060100	Sprocket Wheel 22T (Silver)
39	Y33060200	Sprocket Wheel 23T (Silver)
	Y32120100	Snap Ring C
40	Y74Y98050	CJ-NX10 Cassette Joint Unit
	Y74V98010	CJ-NX10 Cassette Joint Unit for Belt drive system
41	Y74Y18000	Driver Cap
42	Y74Y93100	CJ-NX10 Cassette Joint
	Y74V98020	CJ-NX10 Cassette Joint for Belt drive system
43	Y74Y98060	Inner Cable Fixing Bolt Unit
44	Y33F98090	Brake Arm Clip Unit (5/8")
45	Y75M06000	Clip Screw (M6 x 16)
46	Y31727200	Clip Nut
47	Y13098900	TL-7S20 Hub Spanner (17 mm x 22 mm) 2 pcs.
48	Y30889000	TL-7S40-B Right Hand Cone Tool
49	Y04120800	Internal Hub Grease (Net. 100g)
50	Y00298010	WB maintenance oil set
51	Y00201000	WB maintenance oil (1L)
52	Y00201100	Bottle

Spare parts list

NEXUS 7-Speed Internal Hub
SG-C3001-7D



ITEM NO.	SHIMANO CODE NO.	DESCRIPTION
1	Y3EW98010	Internal Assembly (Axle Length 187 mm)
2	Y30807000	Stop Ring for Carrier Guide 2
3	Y33E03000	Carrier Guide 2
4	Y3EW98020	Carrier Unit 2
5	Y38P98040	Ring Gear Unit 2
6	Y3EV09000	Sun Gear 3
7	Y38R11000	Sun Gear Guide Ring 2
8	Y3EV08000	Sun Gear 2
9	Y38P98050	Carrier Unit 1
10	Y3EW98030	Carrier Guide 2 / Axle & Driver Unit (Axle Length 187 mm)
11	Y33091800	Ball Retainer M (3/16" x 26)
12	Y35C07000	Right Hand Dust Cap B
13	Y33Z26000	Right Hand Dust Cap C
14	Y3EW98040	Axle Unit (Axle Length 187 mm)
15	Y33024000	Return Spring A
16	Y33Z10000	Gear Shifting Cam
17	Y3EV02000	Feed Cam
18	Y35D98120	Driver Unit
19	Y33091600	Ball Retainer F (3/16" x 12)
20	Y39098160	Right Hand Cone w/Seal
21	Y35K07000	Right Hand Cone Seal
22	Y33F98040	Driver Plate w/Seal
23	Y33012000	Driver Plate Seal
24	Y33E98120	Lock Washer
25	Y33Z08000	Stop Washer
26	Y3EW05000	Right Hand Lock Nut
27	Y31414010	Cap Nut (3/8")
28	Y33Z20500	Non-turn Washer 5R (Yellow)
	Y33M39600	Non-turn Washer 6R (Silver)
	Y33M39700	Non-turn Washer 7R (Black)

ITEM NO.	SHIMANO CODE NO.	DESCRIPTION
29	Y33M39510	Non-turn Washer 5L (Brown)
	Y33M39610	Non-turn Washer 6L (White)
	Y33M39710	Non-turn Washer 7L (Gray)
30	Y35Z19000	Left Hand Serated Lock Nut (10.7 mm)
31	Y31L98040	Left Hand Cone w/Dust Cap & Seal Ring
32	Y37710000	Seal Ring
33	Y32T08100	Left Hand Inner Dust Cap
34	Y36U98030	Ball Retainer (7/32" x 9)
35	Y32203220	Sprocket Wheel 16T (Silver)
	Y32203420	Sprocket Wheel 18T (Silver)
	Y32203520	Sprocket Wheel 19T (Silver)
	Y32203620	Sprocket Wheel 20T (Silver)
	Y33060000	Sprocket Wheel 21T (Silver)
	Y33060100	Sprocket Wheel 22T (Silver)
	Y33060200	Sprocket Wheel 23T (Silver)
36	Y32120100	Snap Ring C
37	Y74Y98050	CJ-NX10 Cassette Joint Unit
	Y74V98010	CJ-NX10 Cassette Joint Unit for Belt drive system
38	Y74Y18000	Driver Cap
39	Y74Y93100	CJ-NX10 Cassette Joint
	Y74V98020	CJ-NX10 Cassette Joint for Belt drive system
40	Y33Z98020	Cassette Joint Fixing Ring
41	Y74Y98060	Inner Cable Fixing Bolt Unit
42	Y30889000	TL-7S40-B Right Hand Cone Tool
43	Y04120800	Internal Hub Grease (Net. 100g)
44	Y00298010	WB maintenance oil set
45	Y00201000	WB maintenance oil (1L)
46	Y00201100	Bottle
-	Y35D08000	Right Hand Hub Cup