

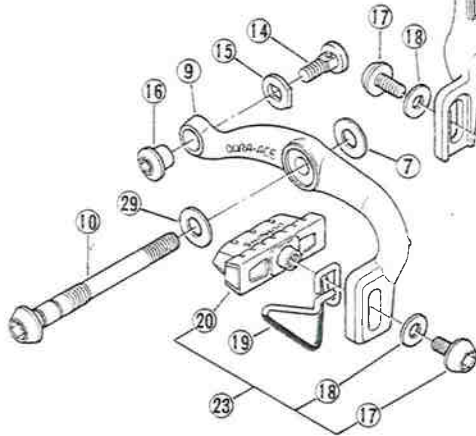
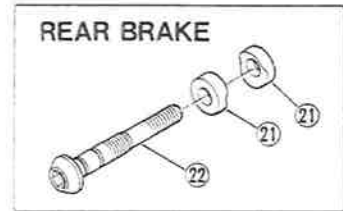
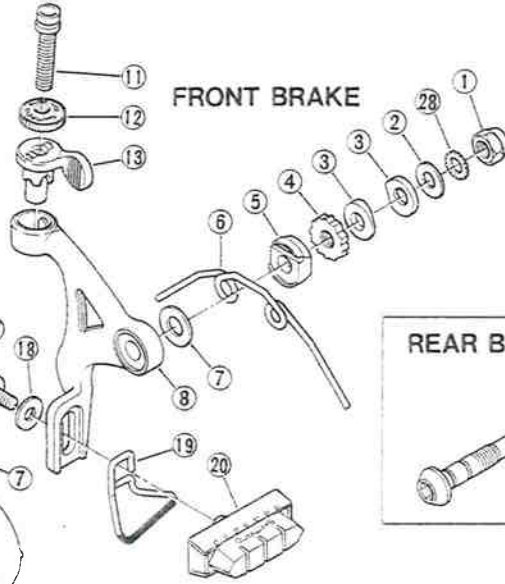
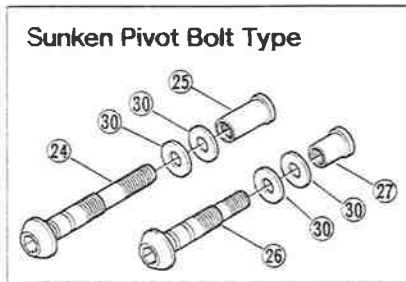
You may photocopy this sheet and use it as an order form.

SHIMANO

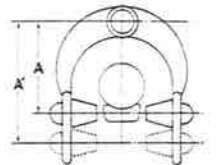
Model BR-7200
BR-7210

Caliper Brake
DURA-ACE EX/Side Pull 49-Type w/Quick Release

Caliper Brake
DURA-ACE EX/Side Pull 57-Type w/Quick Release



TYPE	A—A'
CS-49	39mm (1-17/32")—49mm (1-15/16")
CS-57	47mm (1-27/32")—57mm (2-1/4")



ITEM NO.	PART NO.	DESCRIPTION	Q'TY
1	353 2700	Lock Nut (M6) for Pivot Bolt	
2	355 1000	Washer A (M6)	
3	355 2700	Radius Bushing for Front	
* 4	3-357 9812	Lock Nut	
5	355 6200	Pivot Nut	
* 6	355 2801	Arm Return Spring (49-Type)	
	355 2802	Arm Return Spring (57-Type)	
7	355 6100	Arm Washer 1.5mm	
8	3-355 9105	Brake Arm "Y" Shape (49-Type)	
	3-355 9201	Brake Arm "Y" Shape (57-Type)	
9	355 0202	Brake Arm "C" Shape (49-Type)	
	355 0203	Brake Arm "C" Shape (57-Type)	
10	355 0303	Pivot Bolt for Front	
11	355 2401	Cable Adjusting Barrel	
12	355 2502	Cable Adjusting Lock Nut	
13	3-355 9101	Cam Lever Assembly	
14	355 7100	Cable Fixing Bolt	
15	355 6600	Cable Fixing Washer	
16	355 6700	Cable Fixing Nut	
17	355 6800	Shoe Fixing Bolt	
18	355 6900	Shoe Fixing Washer (M5)	
19	355 1901	Tire Guide	
20	3-355 9106-1	Brake Shoe	
21	355 2600	Radius Bushing for Rear	
22	355 0405	Pivot Bolt for Rear	
23	3-355 9108-1	Brake Shoe Assembly	
* 24	355 7601	Sunken Pivot Bolt for Front (Option)	
25	355 7400	Sunken Pivot Nut for Front (Option)	
26	355 7600	Sunken Pivot Bolt for Rear (Option)	
27	355 7500	Sunken Pivot Nut for Rear (Option)	
* 28	311 6101	Teethed Washer	
* 29	355 6101	Arm Washer 2mm	
* 30	357 1900	Washer for Sunken Pivot Bolt	

Printed in Japan 3305-296F

発行 58.5.30