

# SHIMANO

**SHIMANO EUROPA**

Industrieweg 24 NL-8071 CT Nunspeet, Holland  
Phone 31-3412-72222

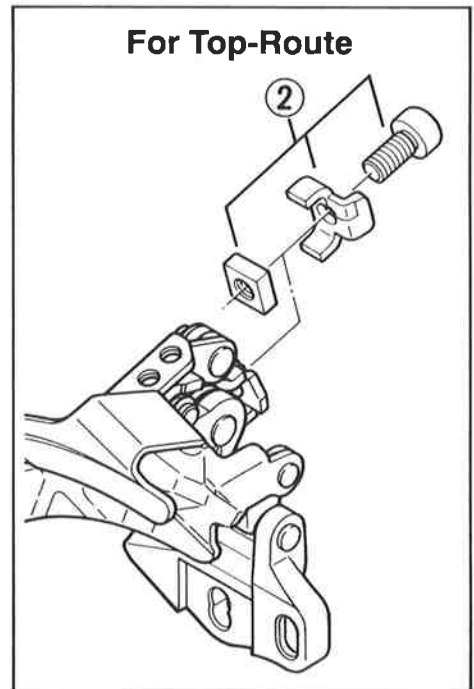
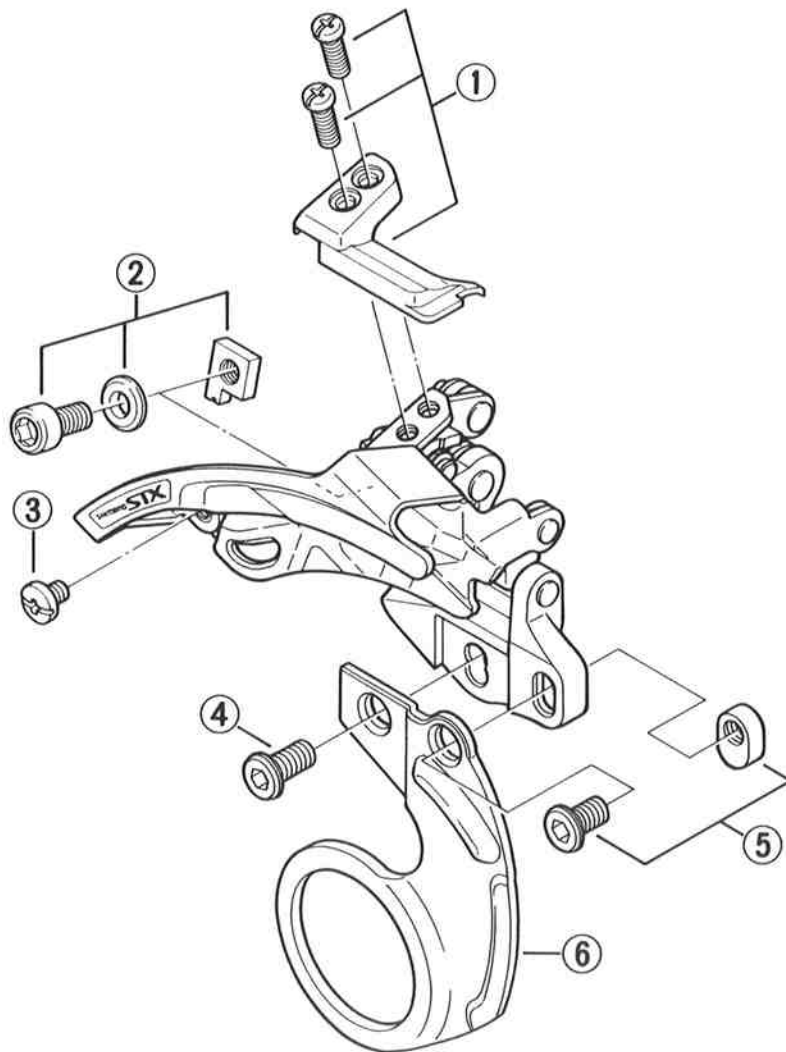
**SHIMANO AMERICAN CORPORATION**

One Shimano Drive, P.O. Box 19615, Irvine,  
California U.S.A. 92713-9615 Phone 714-951-5003

## Small parts list for after market.

- You may photocopy this sheet and use it as an order form.
- Sie können dieses Blatt kopieren und als Bestellformular verwenden.
- Vous pouvez photocopier cette feuille et l'utiliser comme bon de commande.
- Dit blad kan gecopieerd en als bestelformulier gebruikt worden.
- Potete fotocopiare questo foglio e usarlo come modulo di commissione.

### SHIMANO STX Top Swing Front Derailleur **FD-MC34-E** Bracket Type



|  | Q'TY | ITEM NO. | PART NO.        | DESCRIPTION                                      |
|--|------|----------|-----------------|--------------------------------------------------|
|  |      | 1        | <b>5BT 9801</b> | Stroke Adjust Screws (M4 × 12) & Plate           |
|  |      | 2        | <b>5BT 9802</b> | Cable Fixing Bolt Unit (M5 × 10.5)               |
|  |      |          | <b>5BW9801</b>  | Cable Fixing Bolt Unit (M5 × 10.5) for Top-Route |
|  |      | 3        | <b>583 7101</b> | Chain Guide Fixing Screw                         |
|  |      | 4        | <b>5CR 5210</b> | Bracket Fixing Bolt B                            |
|  |      | 5        | <b>5CR 9802</b> | Bracket Fixing Bolt A & Nut                      |
|  |      | 6        | <b>5CR 5100</b> | BB-Plate                                         |