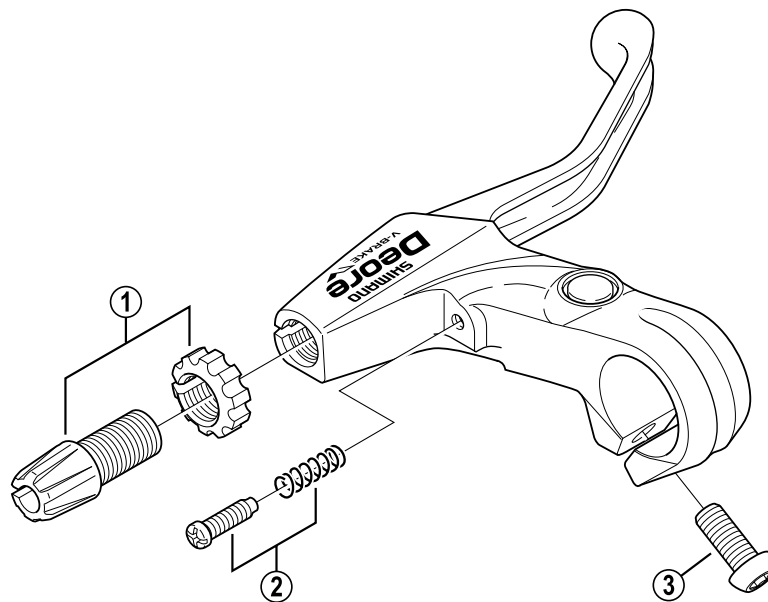


DEORE V-BRAKE Brake Lever (2-Finger)

BL-M511-S Silver Version

BL-M511-L Black Version



| ITEM NO. | SHIMANO CODE NO. | DESCRIPTION |
|----------|------------------|--|
| 1 | Y-8T6 98010 | Cable Adjusting Bolt & Nut |
| 2 | Y-8XV 98020 | Reach Adjusting Screw (M4 x 14.5) & Spring |
| 3 | Y-89B 13500 | Clamp Bolt (M6 x 14.8) |

0506-2488