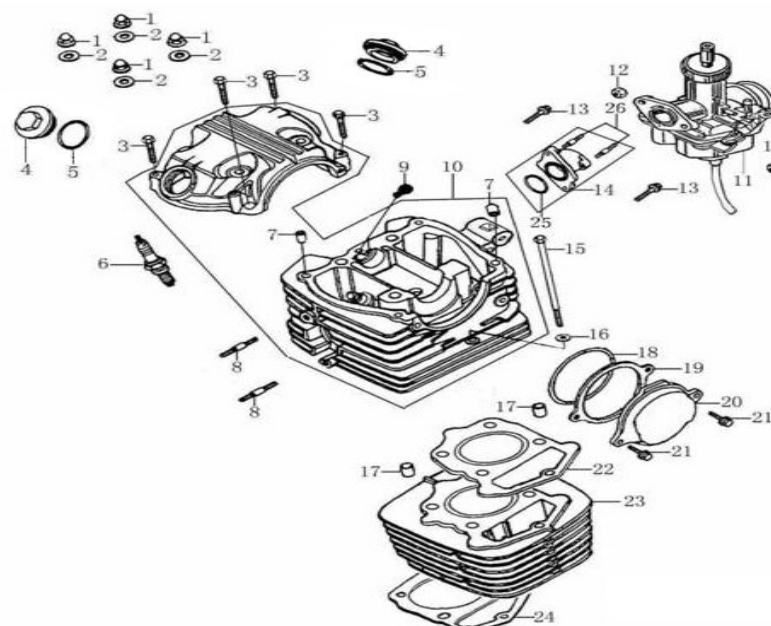


气缸头部件/气缸体部件CYLINDER HEAD ASSY/CYLINDER ASSEMBLY

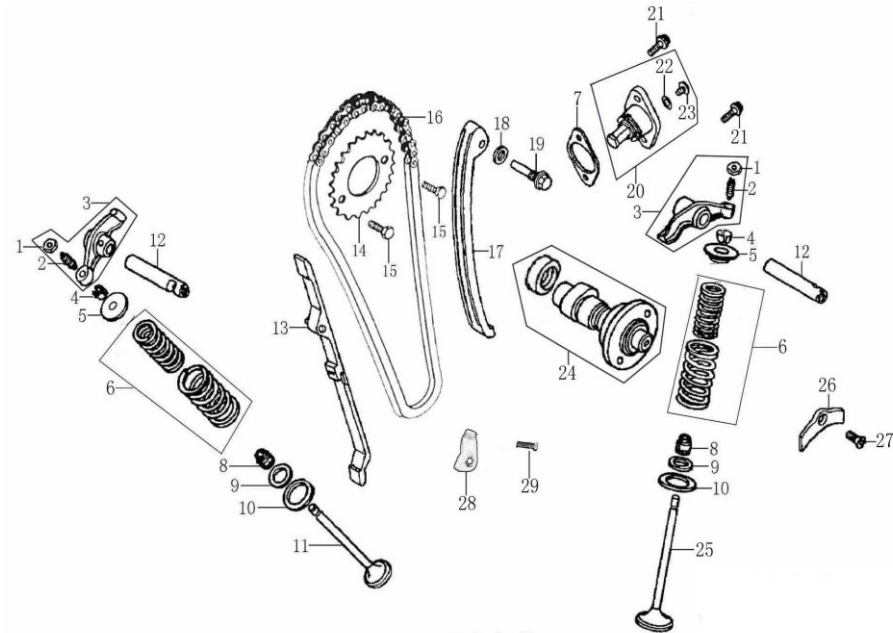
序号 NO.	编码 (PART CODE)	英文名称 (ENGLISH DESCRIPTION)	数量 QTY
1	100100508-0007	Nut M8	4
2	100106576	Washer, $\phi 8.5 \times 2 \times \phi 18$	4
3	100011537-0002	Bolt, M6 \times 35	4
4	100102871-0011	Cover Valve Chamber	2
5	100107766	O-Ring, $\phi 35 \times 3$	2
6	100104137	Spark Plug	1
7	100100868	Dowel Pin, $\phi 8 \times 14 \times \phi 6.3$	2
8	100100438-0002	Bolt, M8 \times 38	2
9	100100002	Rubber Casing Cap	1
10	100208243-0008	Cylinder Head Assy	1
11	100300202	Carburetor	1
12	100011421-0003	Nut, M6	2
13	100011174-0004	Bolt, M6 \times 20	2
14	100105352	Inlet Pipe	1
15	100100414-0006	Bolt, M6 \times 119	1
16	100106337	Washer, $\phi 6.2 \times 2 \times \phi 13$	1
17	100031687	Pin, $\phi 10 \times 20$	2
18	100107823	O-Ring, $\phi 75 \times 2.65$	1
19	100104540	Gasket L Cylinder Head Cover	1
20	100205639-0008	#N/D!	1
21	100055588-0006	Bolt, M6 \times 20	2
22	100208894	Gasket Assy Cylinder Head	1
23	100207607-0008	Cylinder Block Assembly	1
24	100051025	Cb150D Cylinder Gasket	1
25	100107759	O-Ring, $\phi 33.5 \times 3$	1
26	100100423	Bolt, M6 \times 28	2
27			
28			
29			
30			
31			
32			
33			
34			
35			
36			
37			
38			
39			
40			
41			
42			
43			
44			
45			



气缸头部件/气缸体部件
CYLINDER HEAD ASSY/CYLINDER ASSEMBLY

配气机构 VALVE MECHANISM

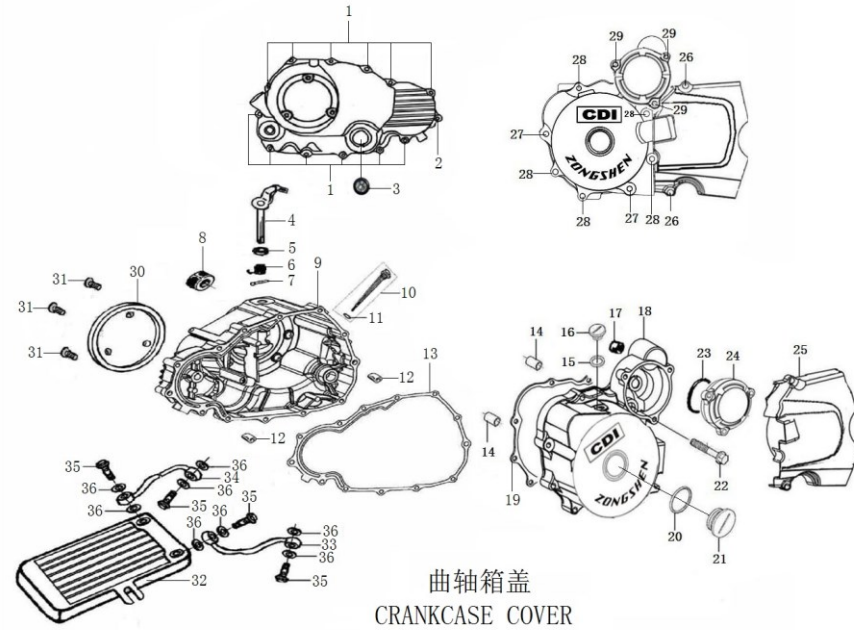
序号 no.	编码 (PART CODE)	英文名称 (ENGLISH DESCRIPTION)	数量 QTY
1	100105158	Nut Valve Clearance	2
2	100105168	Screw, Valve Clearance	2
3	100105180	Rocker Arm Assembly Valve	2
4	100051841	Valve Locker	4
5	100105307	SpRing, Seat	2
6	100105329	Inner SpRing, Assy	2
7	100104605	Gasket Tensioner	1
8	100105336	Seal Valve Stem	2
9	100105325	SpRing, Seat	2
10	100105315	Outer Valve SpRing, Retainer	2
11	100200647	Exhaust Valve	1
12	100105149	Rocker Shaft	2
13	100105225	Guide Plate Chain	1
14	100105055	Timing Driven Sprocket	1
15	100011171-0002	Bolt, M6×12	2
16	100105126	Sprocket Chain	1
17	100200476	Tension Plate Assy	1
18	100106544	Washer, φ8×1.5×φ14	1
19	100100363-0007	Bolt	1
20	100108552-0011	Chain Tensioning Wheel	1
21	100010837-0002	Bolt, M6×16	2
22	100107848	O-Ring, φ9×1.8	1
23	100108598-0001	Bolt, M6×6	1
24	100200200	Gamp Shaft Comp	1
25	100200596	Intake Valve	1
26	100102809	Position Plate Rocker Shaft	1
27	100123471-0001	Screw, M6×16	1
28	100103274	Assembly Chain Protect Plate	1
29	100011171-0002	Bolt, M6×12	1
30			
31			
32			
33			
34			
35			
36			
37			
38			
39			
40			
41			
42			
43			
44			
45			



配气机构
VALVE MECHANISM

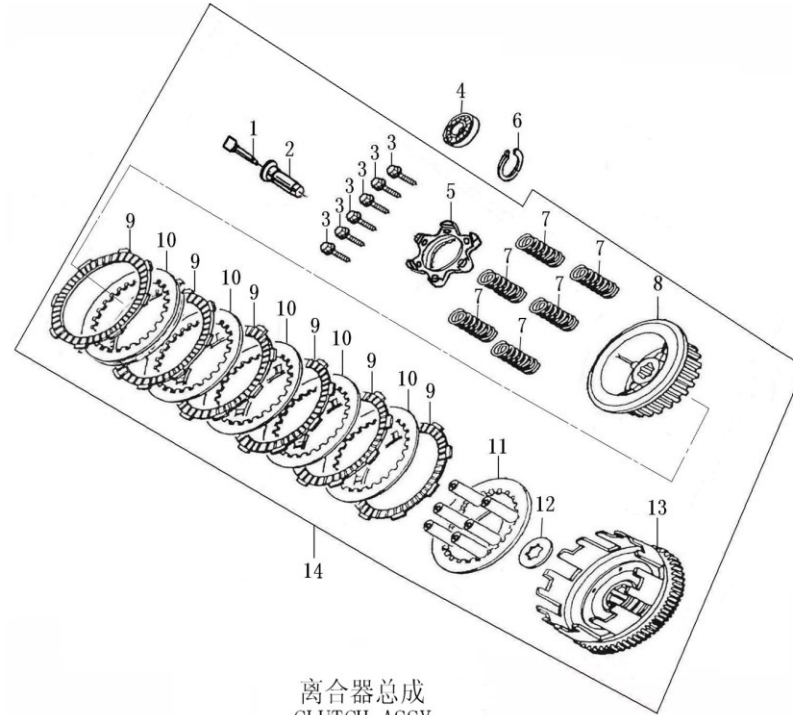
曲轴箱盖 CRANKCASE COVER

序号 No.	编码 (PART CODE)	英文名称 (ENGLISH DESCRIPTION)	数量 QTY
1	100011538-0003	Bolt, M6×40	12
2	100011539-0001	Bolt, M6×45	1
3	100101319	Oil Lelve Sight Window	1
4	100203152-0005	Controlling Arm Assembly Clutch	1
5	100103443	Clutch Controlling Arm Spring	1
6	100104754	Oil Seal 12×22×5	1
7	100100636-0001	Clutch Lever Pin	1
8	100104733	Oil Seal 16×28×7	1
9	100101301-0007	#N/D!	1
10	100104890	Oil Ruler Assy	1
11	100031573	O-Ring, φ18×3	1
12	100100868	Dowel Pin, φ8×14×φ6.3	2
13	100104572	Gasket R.Crankcase Cover	1
14	100010557	Pin, φ10×14	2
15	100010074	O-Ring, φ13.2×2.65	1
16	100103059-0025	Cap Small View Hole	1
17	100101202	Bearing	1
18	100204796-1182	Front Part, L.Crankcase Cover	1
19	100104546	Gasket L.Crankcase Cover	1
20	100107731	O-Ring, φ27.4×2.65	1
21	100103062-0024	Cap Big View Hole	1
22	100011534-0002	Bolt, M6×25	1
23	100107808	O-Ring, φ62×3	1
24	100100005-0019	Cover Reduction Gear	1
25	100302494-0006	Back Part L.Crankcase Cover	1
26	100055587-0006	Bolt, M6×28	2
27	100011540-0007	Bolt, M6×50	2
28	100011538-0003	Bolt, M6×40	5
29	100055588-0006	Bolt, M6×20	3
30	100101316-0006		1
31	100010963-0001		3
32	100105685		1
33	100201797		1
34	100201799		1
35	100108523-0002		4
36	100106570		8
37			
38			
39			
40			
41			
42			
43			
44			
45			



离合器总成 CLUTCH ASSY

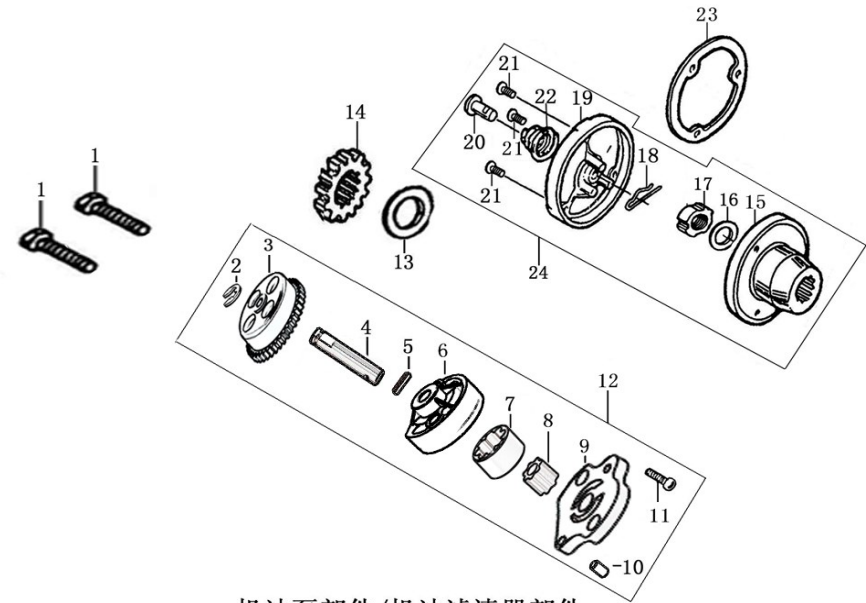
序号 no.	编码 (PART CODE)	英文名称 (ENGLISH DESCRIPTION)	数量 QTY
1	100103428	Rod Clutch Push	1
2	100103431	Separating Axle Sleeve	1
3	100100429-0003	Bolt, M5×20	6
4	100010690	Bearing, 16003	1
5	100103373	End Cover Clutch	1
6	100100601	Elastic Check Ring, φ20	1
7	100202978	SpRing, Clutch	6
8	100202923	Center Sleeve Clutch	1
9	100050121	Drive Friction Disk	6
10	100103422	Outer Friction Disk A	5
11	100050125	Pressure Plate Clutch	1
12	100103341	Washer	1
13	100203001	Out Case Assembly Clutch	1
14	100202846	Clutch Assy	1
15			
16			
17			
18			
19			
20			
21			
22			
23			
24			
25			
26			
27			
28			
29			
30			
31			
32			
33			
34			
35			
36			
37			
38			
39			
40			
41			
42			
43			
44			
45			



离合器总成
CLUTCH ASSY

机油泵部件/机油滤清器部件 OIL PUMP/OIL FILTER

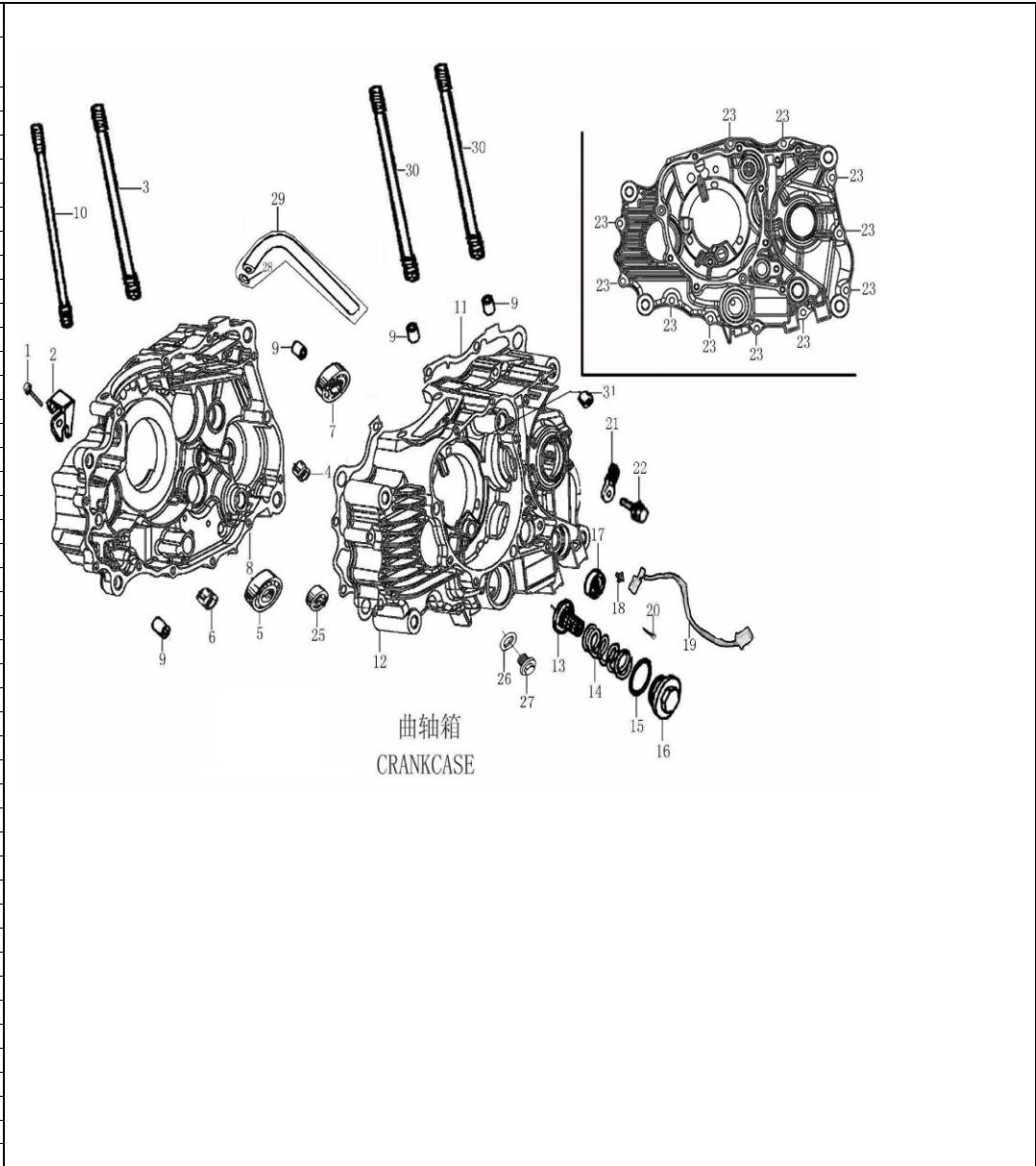
序号 no.	编码 (PART CODE)	英文名称 (ENGLISH DESCRIPTION)	数量 QTY
1	100031914-0005	Bolt, M6×32	2
2	100011111	Retaining Ring, 6	1
3	100050188	Oil Pump Gear Ass.	1
4	100050134	Shaft Oil Pump	1
5	100050095	Pin	1
6	100204563	Oil Pump Body	1
7	100204616	Outer Rotor Oil Pump	1
8	100204592	Inner Rotor Oil Pump	1
9	100050093	Oil Pump Cover	1
10	100100149	Pin,Shaft	1
11	100031811-0003	Screw, M3×10	1
12	100204466	Oil Pump Assy	1
13	100106623	Washer, φ20×6.5×φ34	1
14	100100096	Drive Gear Oil Pump	1
15	100200023	Rotor Ass. Of Oil Filter	1
16	100103345	Dish Washer,Clutch	1
17	100100523	Nut	1
18	100104850	Open Pin	1
19	100104848	Oil Filter Cover	1
20	100104843	Oil Pipe	1
21	100010978-0001	Screw, M5×12	3
22	100104844	SpRing, Oil Pipe	1
23	100104599	Gasket Oil Filter	1
24	100200012	Oil Filter Comp	1
25			
26			
27			
28			
29			
30			
31			
32			
33			
34			
35			
36			
37			
38			
39			
40			
41			
42			
43			
44			
45			



机油泵部件/机油滤清器部件
OIL PUMP/OIL FILTER

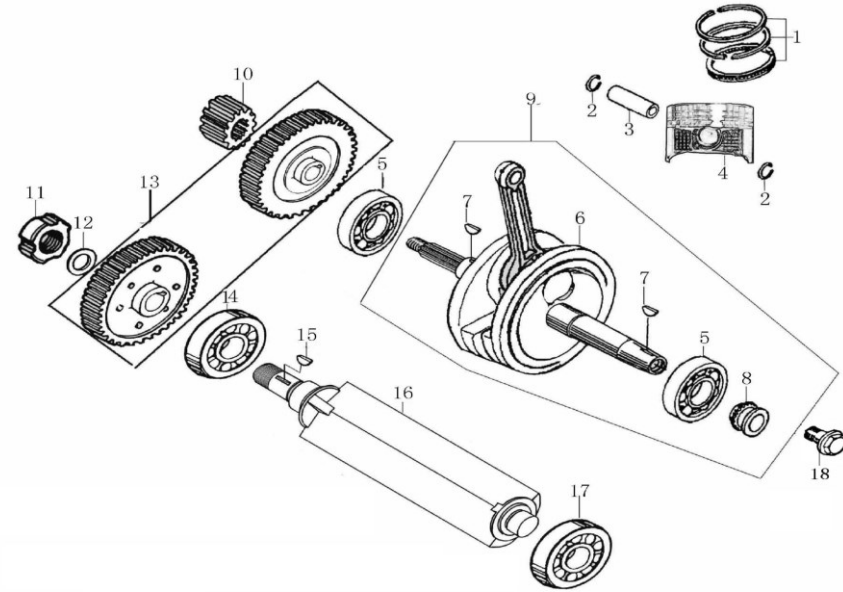
曲轴箱 CRANKCASE

序号 no.	编码 (PART CODE)	英文名称 (ENGLISH DESCRIPTION)	数量 QTY
1	100031958-0007	Bolt, M6×55	1
2	100106283-0004	Holder Cliutch Cable	1
3	100100265	Cylinder Stud Bolt A	1
4	100101072	Needle BeRing, (Nk152312)	1
5	100010672	#N/D!	1
6	100101062	Needle BeRing, (Hk21×28×10)	1
7	100100951	BeaRing, (6204_C3)	1
8	100206133-0007	#N/D!	1
9	100010557	Pin, φ10×14	4
10	100100266	Cylinder Stud Bolt A	1
11	100104584	Gasket Crankcase	1
12	100205880-0008	Left Crankcase Block	1
13	100104943	Strainer Oil Filter	1
14	100104866	SpRing, Oil Filter Strainer	1
15	100107766	O-Ring, φ35×3	1
16	100102871-0002	Cover Valve Chamber	1
17	100104650	Oil Seal 14×28×7	1
18	100104487	Contact Cearindication	1
19	100050023-0003	Gearshift Switch Comp	1
20	100010979-0003	Screw, M6×20	1
21	100102900	Position Plate	1
22	100055591-0006	Bolt, M6×12	1
23	100011540-0007	Bolt, M6×50	11
24	100104700	Oil Seal 20×34×7	1
25	100054650	Bearing, (TM6202Z_C3)	1
26	100100331-0006	Oil Drain Plug	1
27	100106548	Washer, φ12.1×2×φ20	1
28	100105484	Clamp	1
29	100102977	Pipe Assy	1
30	100100318	Cylinder Stud Bolt B	2
31	100101202	Bearing	1
32			
33			
34			
35			
36			
37			
38			
39			
40			
41			
42			
43			
44			
45			



曲轴连杆部件/活塞 CRANKSHAFT CONNECTING-ROD ASSY/PISTON

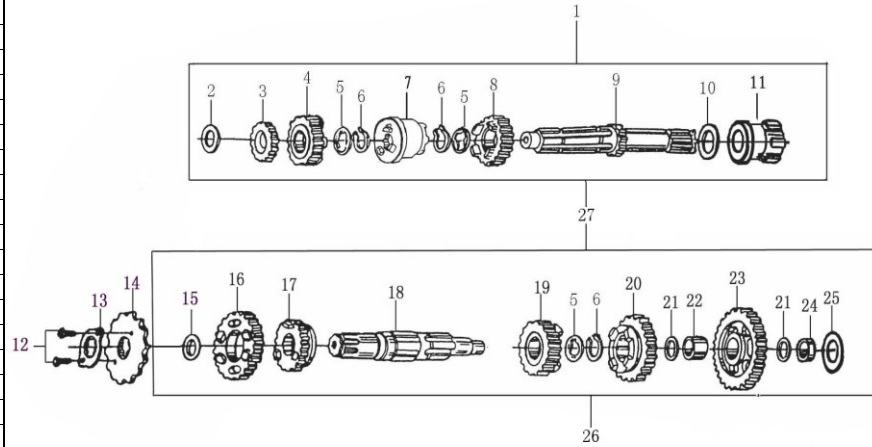
序号 no.	编码 (PART CODE)	英文名称 (ENGLISH DESCRIPTION)	数量 QTY
1	100101666	Piston Ring,Comp	1
2	100100582	Check Ring Piston Pin	2
3	100101534	Pin,Piston	1
4	100101462	Piston	1
5	100102747	BearRing, (Tm_Sc06B42)	2
6	100207168	Connecting Rod Comp 3	1
7	100100643	Semicircular Key	2
8	100101984	Hub Dump Chain Sprocket	1
9	100206979	Crankshaft Connecting-Rod Assy	1
10	100103500	Primary Drive Gear	1
11	100100557	Nut	1
12	100106658	Washer, $\phi 16.2 \times 2.7 \times \phi 22.5$	1
13	100102032	Drive Gear Set Balance Shaft	1
14	100010684	#N/D!	1
15	100100644	Semicircular Key	1
16	100207231	Balance Shaft	1
17	100100950	BearRing, (6203_C3)	1
18	100050578	Bolt, M10 \times 36	1
19			
20			
21			
22			
23			
24			
25			
26			
27			
28			
29			
30			
31			
32			
33			
34			
35			
36			
37			
38			
39			
40			
41			
42			
43			
44			
45			



曲轴连杆部件 / 活塞
CRANKSHAFT CONNECTING-ROD ASSY/PISTON

传动机构 TRANSMISSION MECHANISM

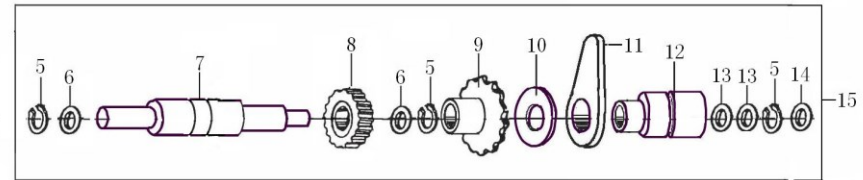
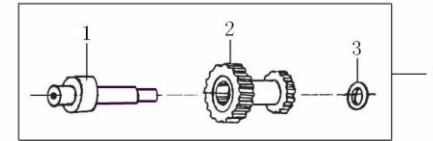
序号 No.	编码 (PART CODE)	英文名称 (ENGLISH DESCRIPTION)	数量 QTY
1	100098956	Main Shaft Transmission	1
2	100106510	Washer, $\phi 15.2 \times 1 \times \phi 25$	1
3	100103627	Gear M-2	1
4	100103641	Gear M-4	1
5	100103647	Washer, $17.3(20) \times 1.6 \times 26$	3
6	100100596	Circle, $\phi 18.5 \times 1.2 \times \phi 22.1$	3
7	100103661	Main Shaft Slide	1
8	100103628	Gear M-3	1
9	100203469	Transmission Main Shaft	1
10	100106468	Washer $\phi 20.2 \times 0.5 \times \phi 27$	1
11	100203509	Final Shaft	1
12	100031911-0004	Bolt, M6 \times 10	2
13	100103850	Fixing Plate Drive Sprocket	1
14	100103810	Drive Sprocket	1
15	100106527	Washer, $\phi 20.2 \times 1 \times \phi 27$	1
16	100103737	Gear C-2	1
17	100103763	Gear C-4	1
18	100203623	Transmission Counter Shaft	1
19	100103773	Reverse Gear	1
20	100103762	Gear C-3	1
21	100106511	Washer, $\phi 15.2 \times 1 \times \phi 30$	1
22	100203405	Gear Bush	1
23	100103761	Gear C-1	1
24	100203636	Collar	1
25	100106434	Washer, $\phi 16.5 \times 0.5 \times \phi 24$	1
26	100203580	Coutershaft Transmission	1
27	100097514	Transmission Main Counter Shaft	1
28			
29			
30			
31			
32			
33			
34			
35			
36			
37			
38			
39			
40			
41			
42			
43			
44			
45			



主副轴组合
TRANSMISSION MAIN, COUNTER SHAFT

倒档惰轮机构 IDLER SETUP

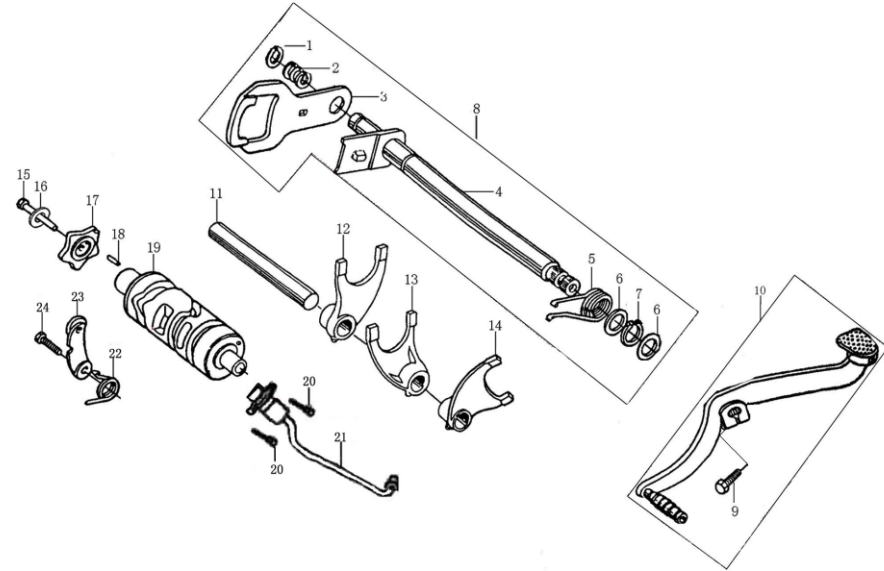
序号 no.	编码 (PART CODE)	英文名称 (ENGLISH DESCRIPTION)	数量 QTY
1	100203706	Shaft Reduction	1
2	100203705	Twin Gear Set	1
3	100106509	Washer, $\phi 15 \times 1 \times \phi 24$	1
4	100203708	Shaft	1
5	100100596	Circli, $\phi 18.5 \times 1.2 \times \phi 22.1$	3
6	100203477	Washer	2
7	100203698	Pivot Reverse Gear Idler Wheel	1
8	100203701	Revers Idler	1
9	100103674	Gear	1
10	100106649	Washer, $\phi 23.5 \times 0.4 \times \phi 31$	1
11	100203633	Sub-Axle Lock Plank	1
12	100055033	Gear Sleeve	1
13	100106468	Washer $\phi 20.2 \times 0.5 \times \phi 27$	2
14	100106499	Washer, $\phi 12 \times 1 \times \phi 18$	1
15	100203695	Idler Setup	1
16			
17			
18			
19			
20			
21			
22			
23			
24			
25			
26			
27			
28			
29			
30			
31			
32			
33			
34			
35			
36			
37			
38			
39			
40			
41			
42			
43			
44			
45			



倒档惰轮机构 IDLER SETUP

变速机构 GEARSHIFT MECHANISM

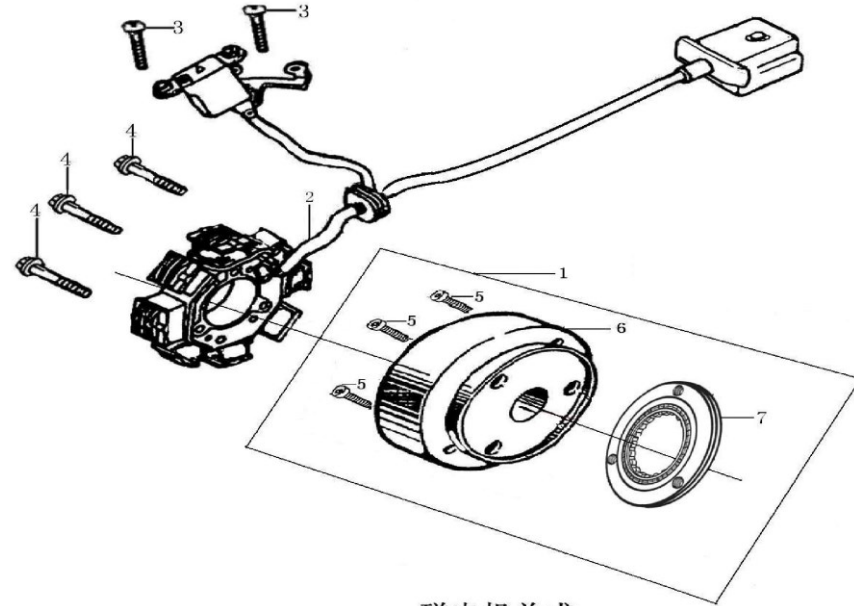
序号 no.	编码 (PART CODE)	英文名称 (ENGLISH DESCRIPTION)	数量 QTY
1	100011095	Retaining Ring, 12	1
2	100103978	SpRing, Gearshift Plate	1
3	100103999	Gearshift Plate	1
4	100203914-0002	Gearshift Shaft Comp	1
5	100203926	Return Spring	1
6	100106402	Washer, $\phi 14 \times 0.5 \times \phi 20$	2
7	100011096	Retaining Ring, 14	1
8	100106303-0002	Gearshift Lever Comp	1
9	100011174-0006	Bolt, M6 \times 20	1
10	100204027	Gearshift Shaft	1
11	100103914	Shaft Gearshift Fork	1
12	100103895	Right Fork Countershaft	1
13	100103904	Center Fork Mainshaft	1
14	100203734	Left Fork Countershaft	1
15	100100420-0002	Bolt	1
16	100010886-0005	Washer, $\phi 6$	1
17	100103944	Stopping Plate	1
18	100032886	Pin, $\phi 4 \times 10$	1
19	100203838	Gearshift Drum	1
20	100100472	Screw	2
21	100208374-0002	Gearshift Switch Comp	1
22	100103981	SpRing, Locating Plate	1
23	100059045	Locating Plate Assy	1
24	100100387-0002	Bolt Fixing Plate	1
25			
26			
27			
28			
29			
30			
31			
32			
33			
34			
35			
36			
37			
38			
39			
40			
41			
42			
43			
44			
45			



变速机构 GEARSHIFT MECHANISM

磁电机总成 MAGNETO COMP

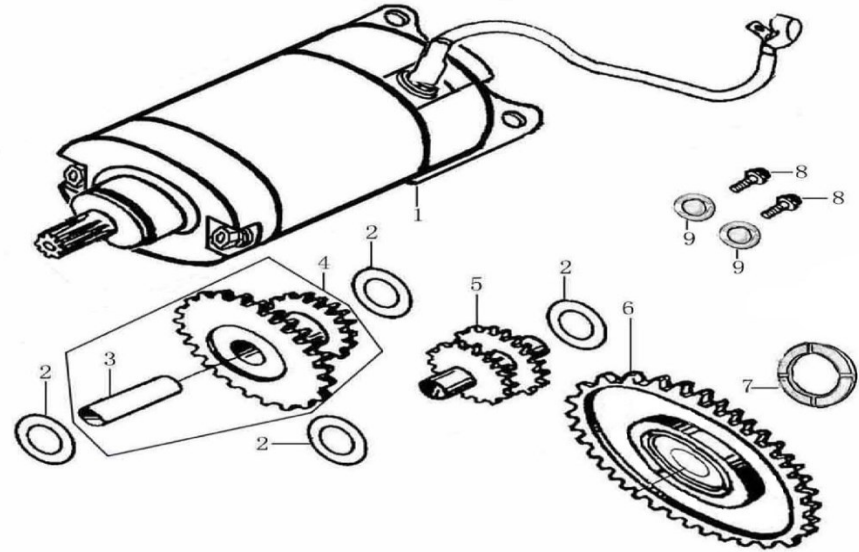
序号 no.	编码 (PART CODE)	英文名称 (ENGLISH DESCRIPTION)	数量 QTY
1	100052685	Rotor Assy Magneto	1
2	100104175-0002	Stator Assy Magneto	1
3	100011169-0004	Bolt, M5×16	2
4	100011170-0003	Bolt, M5×25	3
5	100100499-0001	Bolt, M8×18	3
6	100104199	Rotor Assy Magneto	1
7	100103204	Assembly Overrunning Clutch	1
8			
9			
10			
11			
12			
13			
14			
15			
16			
17			
18			
19			
20			
21			
22			
23			
24			
25			
26			
27			
28			
29			
30			
31			
32			
33			
34			
35			
36			
37			
38			
39			
40			
41			
42			
43			
44			
45			



磁电机总成
MAGNETO COMP

电启动机构 ELECTRIC STARTING MECHANISM

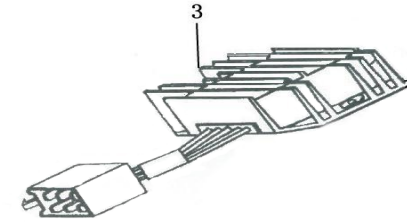
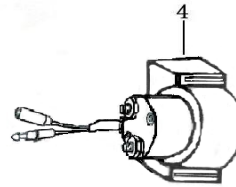
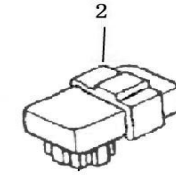
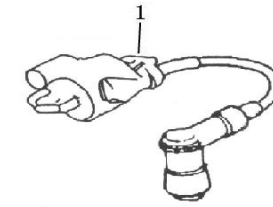
序号 no.	编码 (PART CODE)	英文名称 (ENGLISH DESCRIPTION)	数量 QTY
1	100104258-0025	Starting Motor Assy	1
2	100106391	Washer, $\phi 10.5 \times 0.5 \times \phi 18$	4
3	100202640	Shaft Reduction	1
4	100103249	Gear Reduction 1	1
5	100103220	Gear Reduction	1
6	100103268	Plate Gear Assy	1
7	100106629	Washer, $\phi 22 \times 9.5 \times \phi 34$	1
8	100011269-0003	Bolt, M6 \times 28	2
9	100104273	Washer	2
10			
11			
12			
13			
14			
15			
16			
17			
18			
19			
20			
21			
22			
23			
24			
25			
26			
27			
28			
29			
30			
31			
32			
33			
34			
35			
36			
37			
38			
39			
40			
41			
42			
43			
44			
45			



电启动机构
ELECTRIC STARTING MECHANISM

电器件 ELECTRIC

序号 no.	编码 (PART CODE)	英文名称 (ENGLISH DESCRIPTION)	数量 QTY
1	100204266-0006	Ignition Coil	1
2	100204361	C. D. I	1
3	100205413	Rectifier	1
4	100205381	Relay	1
5			
6			
7			
8			
9			
10			
11			
12			
13			
14			
15			
16			
17			
18			
19			
20			
21			
22			
23			
24			
25			
26			
27			
28			
29			
30			
31			
32			
33			
34			
35			
36			
37			
38			
39			
40			
41			
42			
43			
44			
45			



电器件 ELECTRIC