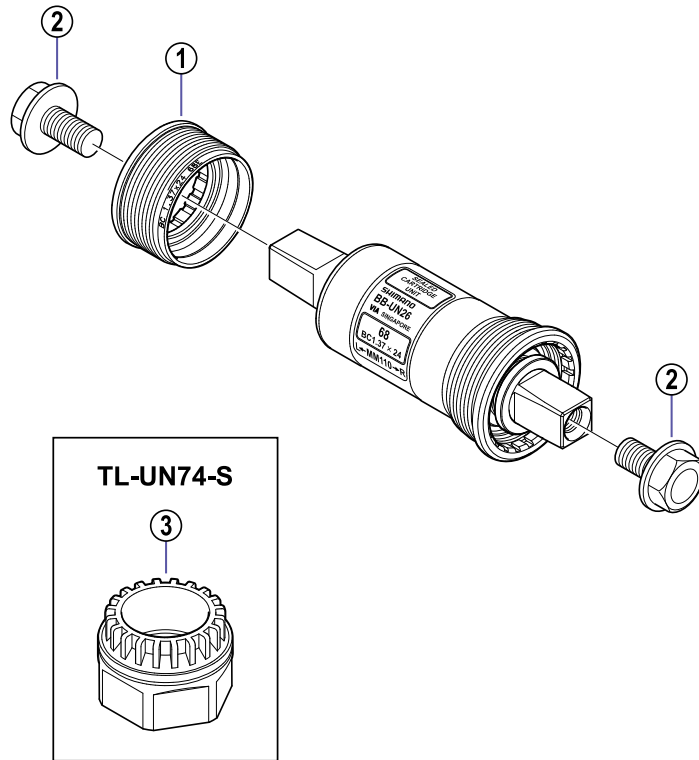


Bottom Bracket Assembly

BB-UN26 **BB-UN26-K**
BB-UN26-E **BB-UN26-EK**



| ITEM NO. | SHIMANO CODE NO. | DESCRIPTION |
|----------|--------------------|---|
| 1 | Y-1SG05000 | Left Hand Adapter (B.C.1.37" x 24T) English Thread for (BB-UN26: Shell Width 68 mm / MM110 / D-EL) |
| | Y-1SG05030 | Left Hand Adapter (B.C.1.37" x 24T) English Thread for (BB-UN26: Shell Width 68 mm / LL113·YL117·D-NL) (BB-UN26-E: Shell Width 68 mm) |
| | Y-1SG05100 | Left Hand Adapter (B.C.1.37" x 24T) English Thread for (BB-UN26-K: Shell Width 68 mm / 117.5·130) |
| | Y-1SG05020 | Left Hand Adapter (B.C.1.37" x 24T) English Thread for (BB-UN26: Shell Width 73 mm) (BB-UN26-EK: Shell Width 68 mm) (BB-UN26-K: Shell Width 68 mm / MM110·LL113·YL117·D-NL) |
| | Y-1SG05040 | Left Hand Adapter (B.C.1.37" x 24T) English Thread for (BB-UN26-E: Shell Width 73 mm) |
| | Y-1SG05010 | Left Hand Adapter (M36 x 24T) Italian Thread for (BB-UN26: Shell Width 70 mm) |
| 2 | Y-155 07000 | Crank Arm Fixing Bolt |
| 3 | Y-130 09073 | Adapter Removal Tool (TL-UN74-S) |

Nov.-2009-2438A
 © Shimano Inc. I