

Distributed by: BEST MATERIALS®  
Ph: 800-474-7570, 602-272-8128  
www.BestMaterials.com  
Email: Sales@BestMaterials.com

# Specification Drainage

SD1018 Customer Guide



ZURN.COM US 1.855.ONE.ZURN CANADA 1.877.892.5216

Effective October 1, 2018  
Replaces All Previous Price Lists

# INTRODUCTION

TABLE OF CONTENTS - BY SECTION	2
🕒 Z250H FOG-CEPTOR® INTERCEPTOR	7
🕒 STABILIZER SOLUTIONS	9
🕒 THE RACE FOR TIME - Z1231-EZ	10
ZS880 STAINLESS STEEL LINEAR SHOWER DRAIN	11
🕒 ZURN TOP-SET® DECK PLATE	12
🕒 Z130 SIPHONIC ROOF DRAIN WITH DECK PLATE	13
GREEN ROOFING DRAINAGE SOLUTIONS	15
🕒 Z1072 - ZSHIELD™ FLOOR DRAIN BARRIER TRAP SEAL	16
🕒 A PERFECT FIT: Z1322XL-EZ AND Z1332XL-EZ ECOLOTROL™ WALL HYDRANTS	17
🕒 EZ HYDRANTS: Z1327-EZ, Z1350-EZ, Z1320XL-EZ	18
ZURN BARIATRIC PROVIDES SUPERIOR PERFORMANCE	19
🕒 Z1222-CB CARRIER BANK	21
CUSTOMER GUIDE INSTRUCTIONS	22
TYPICAL PRODUCT PAGE NAVIGATION	22
ABBREVIATIONS USED IN THIS CUSTOMER GUIDE	23

## TABLE OF CONTENTS - BY SECTION

### PRODUCT HIGHLIGHT

⌚ Z250H FOG-CEPTOR® INTERCEPTOR	7
⌚ STABILIZER SOLUTIONS	9
⌚ THE RACE FOR TIME - Z1231-EZ	10
ZS880 STAINLESS STEEL LINEAR SHOWER DRAIN	11
⌚ ZURN TOP-SET® DECK PLATE	12
⌚ Z130 SIPHONIC ROOF DRAIN WITH DECK PLATE	13
GREEN ROOFING DRAINAGE SOLUTIONS	15
⌚ Z1072 - ZSHIELD™ FLOOR DRAIN BARRIER TRAP SEAL	16
⌚ A PERFECT FIT: Z1322XL-EZ AND Z1332XL-EZ ECOLOTROL™ WALL HYDRANTS	17
⌚ EZ HYDRANTS: Z1327-EZ, Z1350-EZ, Z1320XL-EZ	18
ZURN BARIATRIC PROVIDES SUPERIOR PERFORMANCE	19
⌚ Z1222-CB CARRIER BANK	21
CUSTOMER GUIDE INSTRUCTIONS	22
TYPICAL PRODUCT PAGE NAVIGATION	22
ABBREVIATIONS USED IN THIS CUSTOMER GUIDE	23

### ROOF DRAINS

ROOF DRAIN - PRODUCT COMPLIANCE	26
ROOF DRAIN - GENERAL INFORMATION	26
ROOF DRAIN - APPLICATION INDEX	26
<b>Z100</b> 15" DIAMETER MAIN ROOF DRAIN WITH LOW SILHOUETTE DOME	27
<b>Z101</b> HIGH CAPACITY 20" DIAMETER MAIN ROOF DRAIN WITH LOW SILHOUETTE DOME	28
<b>100C</b> 15" DIAMETER DEEP SUMP DUAL OUTLET ROOF DRAIN - LOW SILHOUETTE DOME	29
⌚ <b>Z103</b> 15" DIAMETER DEEP SUMP DUAL OUTLET ROOF DRAIN WITH LOW SILHOUETTE DOME	30
⌚ <b>Z103-45</b> 45° 15" DIAMETER DEEP SUMP DUAL OUTLET ROOF DRAIN WITH LOW SILHOUETTE DOME	31
<b>Z104</b> 15" DIAMETER DEEP SUMP ROOF DRAIN WITH LOW SILHOUETTE DOME	32
<b>Z105</b> CONTROL-FLO™ ROOF DRAIN WITH PARABOLIC WEIR	33
<b>Z107</b> 20" WIDE DECK FLANGE ROOF DRAIN	34
<b>Z108</b> 15" DIAMETER DECK RECEPTOR DRAIN	35
<b>Z110</b> 15" GREEN ROOF DRAIN WITH PERFORATED SCREEN ASSEMBLY, AND REMOVABLE COVER WITH LIFT HANDLE	36
<b>Z110-AI</b> GREEN ROOF DRAIN WITH PERFORATED SCREEN ASSEMBLY, REMOVABLE COVER WITH LIFT HANDLE, AND AUXILIARY INLET	37
<b>ZF110-R</b> 15" GREEN ROOF BOX - PERFORATED SCREEN ASSEMBLY	38
<b>ZF110-S</b> GREEN ROOF BOX - PERFORATED SCREEN ASSEMBLY, REMOVABLE COVER	39

<b>Z111</b> 12" DIAMETER FLAT DECK ROOF DRAIN FOR METAL DECKS	39
<b>Z121</b> 12" DIAMETER ROOF DRAIN LOW SILHOUETTE DOME	40
<b>Z122</b> 12" DIAMETER DECK RECEPTOR DRAIN	41
<b>Z125</b> 8-3/8" DIAMETER ROOF DRAIN LOW SILHOUETTE DOME	42
<b>Z127</b> 8-1/2" DIAMETER DECK RECEPTOR DRAIN	43
⌚ <b>Z130</b> 14-9/32" DIAMETER SIPHONIC MAIN ROOF DRAIN	44
⌚ <b>Z131</b> 14-9/32" DIAMETER SIPHONIC OVERFLOW ROOF DRAIN	44
<b>Z150</b> 14" SQUARE TOP PROM-DECK DRAIN WITH HEEL-PROOF GRATE AND ROTATABLE FRAME	45
<b>Z154</b> 12" SQUARE TOP PROM-DECK DRAIN WITH HEEL-PROOF GRATE AND ROTATABLE FRAME	46
<b>Z158</b> 10" SQUARE TOP PROM-DECK DRAIN WITH HEEL-PROOF GRATE AND ROTATABLE FRAME	47
<b>Z160</b> 135° SCUPPER DRAIN	48
<b>Z161</b> 3" X 10" OBLIQUE SCUPPER DRAIN	48
⌚ <b>Z163</b> 15" DIAMETER COMBINATION MAIN ROOF AND OVERFLOW DRAIN WITH LOW SILHOUETTE DOMES AND DOUBLE TOP-SET® DECK PLATE	49
⌚ <b>Z164</b> 12" DIAMETER COMBINATION MAIN ROOF AND OVERFLOW DRAIN WITH LOW SILHOUETTE DOMES AND DOUBLE TOP-SET® DECK PLATE	50
⌚ <b>Z165</b> 8-3/8" DIAMETER COMBINATION MAIN ROOF AND OVERFLOW DRAIN WITH LOW SILHOUETTE DOMES AND DOUBLE TOP-SET® DECK PLATE	51
<b>Z180</b> 4-1/2" DIAMETER CORNICE DRAIN WITH BOTTOM OUTLET	51
<b>Z181</b> 6" DIAMETER CORNICE DRAIN WITH BOTTOM OUTLET	52
<b>Z182</b> 4-1/2" DIAMETER CORNICE DRAIN WITH 90° OUTLET	52
<b>Z185</b> 6" DIAMETER CORNICE DRAIN WITH 90° OUTLET	53
<b>Z187</b> 6" X 7" OR 8" X 12" OBLIQUE SCUPPER DRAIN	53
<b>Z189</b> 5" X 6" X 11" SCUPPER DRAIN	54
<b>Z190</b> VERTICAL EXPANSION JOINT	54
<b>Z191</b> 5" X 4" X 24" DOWNSPOUT BOOT	55
<b>Z191-RD</b> 4" X 18" DOWNSPOUT BOOT	55
<b>Z192</b> 4" X 3" DOWNSPOUT BOOT	56
<b>Z193</b> VANDAL-PROOF HOODED VENT CAP	56
<b>Z195</b> VENT STACK FLASHING SLEEVE	57
<b>Z196</b> VENT STACK FLASHING SLEEVE	57
<b>Z197</b> RISER SLEEVE	58
<b>Z198</b> PARAPET SCUPPER SLEEVE	58
<b>Z199</b> DOWNSPOUT NOZZLE	59
<b>ZF199</b> CHAMELEON DOWNSPOUT NOZZLE WITH FLAPPER	60
<b>Z199-DC</b> DOWNSPOUT COVER	61
<b>ZF7000</b> FLOW SENSOR	62

### FLOOR DRAINS

FLOOR DRAINS - GENERAL INFORMATION	65
FLOOR DRAINS - APPLICATION INDEX	65
CAST IRON EZI™ NOMENCLATURE DECODER	66
<b>Z300</b> THOROFUSH DRAIN	67
<b>Z310</b> THOROFUSH DRAIN	67
<b>Z315</b> VANDAL-PROOF ACCESS DRAIN	68
<b>Z319</b> THOROFUSH DRAIN - LARGE CAPACITY	68
<b>Z320</b> REFRIGERATOR DRAIN	69
<b>Z325</b> INDIRECT WASTE FUNNEL WITH INTEGRAL BACKWATER VALVE	69
<b>Z326</b> INDIRECT WASTE FUNNEL	70
<b>Z328</b> FUNNEL CONVERTING ASSEMBLY	70
<b>Z329</b> FUNNEL CONVERTING ASSEMBLY	71
<b>Z349</b> TERRACE PLANTING AREA DRAIN	72
<b>Z350</b> PLANTING AREA DRAIN	72
<b>Z355</b> PRISON CELL FLOOR DRAIN	73
<b>Z400</b> "TYPE B" ROUND STRAINER WITH HEEL-PROOF SQUARE OPENINGS	73
<b>ZS400</b> "TYPE BS" ROUND STRAINER WITH SLOTTED OPENINGS	74
<b>Z400</b> "TYPE BL" ROUND STRAINER WITH DEX-O-TEX FLANGE	74
⌚ <b>Z400</b> "TYPE BZ" ROUND LEVELING STRAINER WITH SQUARE OPENINGS	75
<b>Z400</b> "TYPE C" ROUND HINGED STRAINER	75
<b>Z400</b> "TYPE D" ROUND STRAINER WITH SOLID HINGED COVER	76
<b>Z400</b> "TYPE E" ROUND STRAINER WITH INTEGRAL FUNNEL	76
<b>Z400</b> "TYPE G" ROUND STRAINER WITH DOME	76
<b>Z400</b> "TYPE H" ROUND STRAINER WITH CLAMP DEVICE	77
<b>Z400</b> "TYPE I" ROUND STRAINER WITH RAISED LIP	77
<b>Z400</b> "TYPE J" RECTANGULAR STRAINER WITH HEEL-PROOF SLOTTED OPENINGS	78
<b>Z400</b> "TYPE K" ANGULAR STRAINER	78
<b>Z400</b> "TYPE M" ROUND STRAINER WITH SLOTTED OPENINGS AND SUR-SET BUCKET	79
<b>Z400</b> "TYPE N" ROUND STRAINER WITH DEEP FLANGED GRATE	79
<b>Z400</b> "TYPE S" SQUARE STRAINER	80
<b>ZS400</b> "TYPE SS" SQUARE STRAINER	80
<b>Z400</b> "TYPE SC" SQUARE STRAINER WITH SOLID HINGED COVER	81
<b>Z400</b> "TYPE SH" SQUARE HINGED STRAINER	81
<b>Z400</b> "TYPE SL" SQUARE STRAINER WITH DEX-O-TEX FLANGE	81
⌚ <b>Z400</b> "TYPE SZ" SQUARE LEVELING STRAINER WITH SLOTTED OPENINGS	82
⌚ <b>Z400-SR</b> FLOOR DRAIN STABILIZER RING	83

**TABLE OF CONTENTS - BY SECTION**

<b>Z400-U</b> ADJUSTABLE STRAINER EXTENSION	<b>83</b>	<b>Z456</b> DEEP SEAL TRAP DRAIN WITH FLOOR CLEANOUT AND CLAMP COLLAR WITH "TYPE B" STRAINER	<b>116</b>	<b>Z625</b> ADJUSTABLE ISOLATION DECK DRAIN	<b>145</b>
🕒 <b>Z400-18</b> LEVELING RING	<b>83</b>	<b>Z460B</b> SHALLOW BODY FLOOR DRAIN WITH SIDE OUTLET AND "TYPE B" STRAINER	<b>117</b>	<b>Z627</b> HEAVY-DUTY ADJUSTABLE ISOLATION DECK DRAIN	<b>146</b>
🕒 <b>Z499B</b> ROUND PROTECTIVE COVER FOR FLOOR DRAINS	<b>84</b>	<b>Z461</b> 6" SQUARE MODULAR NON-ADJUSTABLE FLOOR DRAIN WITH CLAMPING FRAME	<b>118</b>	<b>Z629</b> VERTICAL WALL DRAIN WITH BACKWATER VALVE	<b>147</b>
🕒 <b>Z499S</b> SQUARE PROTECTIVE COVER FOR FLOOR DRAINS	<b>84</b>	<b>Z503</b> 15" HEAVY-DUTY AREA DRAIN	<b>118</b>	<b>Z645</b> 12-1/2" X 12-1/2" HEAVY-DUTY DRAIN	<b>148</b>
🕒 <b>Z415-BZ1</b> BODY ASSEMBLY W/ "TYPE B" STRAINER AND EZI™ TECHNOLOGY	<b>85</b>	<b>Z505</b> 12" HEAVY-DUTY DRAIN	<b>119</b>	<b>Z662</b> 16" HEAVY-DUTY DRAIN	<b>149</b>
🕒 <b>Z415-SZ1</b> BODY ASSEMBLY W/ "TYPE S" STRAINER AND EZI™ TECHNOLOGY	<b>86</b>	<b>Z507</b> 7" MEDIUM-DUTY DRAIN	<b>120</b>	<b>Z662-HF</b> 16" HEAVY-DUTY DRAIN WITH HIGH FLOW DUCTILE IRON GRATE	<b>150</b>
🕒 <b>Z415-BZ1-DP</b> BODY ASSEMBLY W/ "TYPE B" STRAINER, DECK PLATE AND EZI™ TECHNOLOGY	<b>87</b>	<b>Z508</b> 9" EXTRA-HEAVY-DUTY DRAIN	<b>121</b>	<b>Z664</b> 6" WIDE HEAVY-DUTY MODULAR TRENCH DRAIN	<b>151</b>
🕒 <b>Z415-SZ1-DP</b> BODY ASSEMBLY W/ "TYPE S" STRAINER, DECK PLATE AND EZI™ TECHNOLOGY	<b>88</b>	<b>Z509</b> 12" HEAVY-DUTY DRAIN	<b>122</b>	<b>Z665</b> 12" WIDE HEAVY-DUTY MODULAR TRENCH DRAIN	<b>152</b>
🕒 <b>Z415B-DP</b> BODY ASSEMBLY W/ "TYPE B" STRAINER AND DECK PLATE	<b>89</b>	<b>Z511</b> 9" HEAVY-DUTY DRAIN	<b>123</b>	<b>Z667</b> 6" WIDE MEDIUM-DUTY MODULAR TRENCH DRAIN	<b>153</b>
🕒 <b>Z415S-DP</b> BODY ASSEMBLY W/ "TYPE S" STRAINER AND DECK PLATE	<b>90</b>	<b>Z512</b> 12-1/4" HEAVY-DUTY DRAIN	<b>124</b>	<b>Z668</b> 11-1/4" X 19-1/4" HEAVY-DUTY DRAIN	<b>153</b>
<b>Z415</b> BODY ASSEMBLY WITH HEEL-PROOF "TYPE B" STRAINER	<b>91</b>	<b>Z513</b> 9" SQUARE HINGED HEAVY-DUTY DRAIN	<b>125</b>	<b>Z673</b> 29" X 30" EXTRA HEAVY-DUTY DRAIN	<b>154</b>
<b>ZS415</b> BODY ASSEMBLY WITH "TYPE BS" STRAINER	<b>92</b>	<b>Z520</b> 9" ADJUSTABLE HEAVY-DUTY DRAIN	<b>126</b>	<b>Z675</b> 13-1/2" EXTRA HEAVY-DUTY DRAIN	<b>155</b>
<b>Z415</b> BODY ASSEMBLY WITH "TYPE BL" STRAINER	<b>93</b>	<b>Z521</b> 12" DIAMETER ADJUSTABLE HEAVY-DUTY DRAIN	<b>127</b>	<b>Z676</b> 13-1/2" EXTRA HEAVY-DUTY DRAIN	<b>155</b>
🕒 <b>Z415</b> BODY ASSEMBLY WITH "TYPE BZ" LEVELING STRAINER	<b>94</b>	<b>Z526</b> 12" ADJUSTABLE HEAVY-DUTY DRAIN	<b>128</b>	<b>Z730</b> 9" TOP MEDIUM-DUTY DRAIN	<b>156</b>
<b>Z415</b> BODY ASSEMBLY WITH "TYPE C" STRAINER	<b>95</b>	<b>Z530</b> 9" MEDIUM-DUTY WIDE FLANGE DECK DRAIN	<b>129</b>	<b>Z742</b> LIGHT-DUTY TRAP DRAIN	<b>157</b>
<b>Z415</b> BODY ASSEMBLY WITH "TYPE D" STRAINER	<b>96</b>	<b>Z531</b> 9" ADJUSTABLE FRAME WIDE FLANGE MEDIUM-DUTY DECK DRAIN	<b>129</b>	<b>Z761</b> 12-1/2" X 12-1/2" HEAVY-DUTY DRAIN	<b>158</b>
<b>Z415</b> BODY ASSEMBLY WITH "TYPE E" STRAINER	<b>97</b>	<b>Z532</b> 12-1/4" DIAMETER WIDE FLANGE HEAVY-DUTY FLOOR DRAIN	<b>130</b>	<b>VP-DRIVER</b> VANDAL-PROOF DRIVER	<b>158</b>
<b>Z415</b> BODY ASSEMBLY WITH "TYPE G" STRAINER	<b>98</b>	<b>Z533</b> 9" DIAMETER HEAVY-DUTY PARKING DECK DRAIN WITH SUPPORT FLANGE	<b>130</b>		
<b>Z415</b> BODY ASSEMBLY WITH "TYPE H" STRAINER	<b>99</b>	<b>Z534</b> 12-1/4" DIAMETER HEAVY-DUTY PARKING DECK DRAIN WITH SUPPORT FLANGE	<b>131</b>	<b>TRAPS, PRIMERS, AND BACKWATER VALVES</b>	
<b>Z415</b> BODY ASSEMBLY WITH "TYPE I" STRAINER	<b>100</b>	<b>Z535</b> HEAVY-DUTY PARKING STRUCTURE DRAIN	<b>131</b>	<b>TRAPS, PRIMERS, AND BACKWATER VALVES - APPLICATION INDEX</b>	<b>160</b>
<b>Z415</b> BODY ASSEMBLY WITH "TYPE J" HEEL-PROOF STRAINER	<b>101</b>	<b>Z536</b> 15-3/8" DIAMETER HEAVY-DUTY PARKING DECK DRAIN WITH SUPPORT FLANGE	<b>132</b>	<b>TRAPS, PRIMERS, AND BACKWATER VALVES - OPTIONS AND VARIATIONS</b>	<b>160</b>
<b>Z415</b> BODY ASSEMBLY WITH "TYPE K" STRAINER	<b>102</b>	<b>Z537</b> 15-7/8" SQUARE TOP HEAVY-DUTY PARKING DECK DRAIN WITH SUPPORT FLANGE	<b>133</b>	<b>Z1072</b> ZSHIELD™ BARRIER TRAP SEAL DEVICE FOR FLOOR DRAINS	<b>161</b>
<b>Z415</b> BODY ASSEMBLY WITH "TYPE M" STRAINER AND SUR-SET BUCKET	<b>103</b>	<b>Z539</b> 12-1/4" HEAVY-DUTY DRAIN WITH DEEP SUMP	<b>133</b>	<b>Z1000</b> DEEP SEAL TRAP	<b>162</b>
<b>Z415</b> BODY ASSEMBLY WITH "TYPE N" STRAINER	<b>104</b>	<b>Z540</b> 12-1/4" MEDIUM-DUTY DRAIN WITH SUR-SET BUCKET	<b>134</b>	<b>Z1005</b> DEEP SEAL TRAP WITH ADJUSTABLE COVER	<b>162</b>
<b>Z415</b> BODY ASSEMBLY WITH "TYPE S" STRAINER	<b>105</b>	<b>Z541</b> 12-1/4" DIAMETER HEAVY-DUTY DRAIN	<b>135</b>	<b>Z1012</b> DEEP SEAL TRAP WITH FLOOR CLEANOUT	<b>163</b>
<b>ZS415</b> BODY ASSEMBLY WITH "TYPE SS" STRAINER	<b>106</b>	<b>Z545</b> 16" DIAMETER HEAVY-DUTY DRAIN	<b>136</b>	<b>Z1019</b> FUNNEL DRAIN WITH "P" TRAP	<b>163</b>
<b>Z415</b> BODY ASSEMBLY WITH "TYPE SC" STRAINER	<b>107</b>	<b>Z546</b> 21-1/2" DIAMETER EXTRA HEAVY-DUTY DRAIN	<b>137</b>	<b>Z1020XL</b> ELECTRONIC TRAP PRIMER	<b>164</b>
<b>Z415</b> BODY ASSEMBLY WITH "TYPE SH" STRAINER	<b>108</b>	<b>Z547</b> 21" DIAMETER EXTRA HEAVY-DUTY HEEL-PROOF PARKING DECK DRAIN WITH SUPPORT FLANGE	<b>137</b>	<b>Z1021</b> WATER SAVER TRAP PRIMER WITH 1-1/2" COPPER SWEAT WALL CONNECTION	<b>164</b>
<b>Z415</b> BODY ASSEMBLY WITH "TYPE SL" STRAINER	<b>109</b>	<b>Z550</b> 9" DIAMETER MEDIUM-DUTY DRAIN	<b>138</b>	<b>Z1022-XL</b> LEAD-FREE SANI-GARD AUTOMATIC TRAP PRIMER	<b>165</b>
🕒 <b>Z415</b> BODY ASSEMBLY WITH "TYPE SZ" LEVELING STRAINER	<b>110</b>	<b>Z551</b> 9" DIAMETER MEDIUM-DUTY DRAIN	<b>139</b>	<b>Z1023</b> TRAP PRIMER CONNECTION ADAPTER	<b>165</b>
<b>Z420</b> DEEP SHANK FLOOR AND SHOWER DRAIN FOR MARBLE AND GRANITE APPLICATIONS	<b>111</b>	<b>Z554</b> 9" MEDIUM-DUTY DRAIN WITH SUR-SET BUCKET	<b>140</b>	<b>Z1024</b> FIXED AIR GAP	<b>166</b>
<b>Z450</b> DRUM TRAP DRAIN WITH "TYPE B" STRAINER	<b>112</b>	<b>Z556</b> 8" ADJUSTABLE HEAVY-DUTY DRAIN	<b>140</b>	<b>Z1025</b> FIXED AIR GAP	<b>166</b>
<b>Z451</b> SHALLOW TRAP DRAIN WITH "TYPE B" STRAINER	<b>113</b>	<b>Z566</b> 12" SQUARE OPEN TOP DRAIN	<b>141</b>	<b>Z1030</b> HUB ADAPTER	<b>167</b>
<b>Z453</b> DEEP SEAL TRAP DRAIN WITH "TYPE B" STRAINER	<b>114</b>	<b>Z575</b> 6" X 12" MEDIUM-DUTY GUTTER DRAIN	<b>141</b>	<b>Z1032</b> INSIDE CAULK REDUCER	<b>167</b>
<b>Z455</b> TRAP DRAIN WITH FLOOR CLEANOUT WITH "TYPE B" STRAINER	<b>115</b>	<b>Z587</b> 12-1/4" X 9-1/2" MEDIUM-DUTY DRAIN	<b>142</b>	<b>Z1033</b> FEMALE PIPE THREAD REDUCER	<b>168</b>
		<b>Z609</b> 9" SQUARE HEAVY-DUTY DRAIN	<b>142</b>	<b>Z1034</b> FEMALE PIPE ECCENTRIC REDUCER	<b>168</b>
		<b>Z610</b> 12-1/2" HEAVY-DUTY DRAIN	<b>143</b>	🕒 <b>Z1035</b> FLOOR DRAIN INSTALLATION STABILIZER	<b>169</b>
		<b>Z611</b> 9" MEDIUM-DUTY DRAIN	<b>144</b>	🕒 <b>Z1035-Q</b> STRUCTURAL DECK DRAIN STABILIZER	<b>169</b>
		<b>Z624</b> ISOLATION DECK DRAIN	<b>145</b>	🕒 <b>Z1036</b> FLOOR DRAIN INSTALLATION STABILIZER	<b>170</b>
				<b>Z1040</b> NO-HUB ADAPTER	<b>170</b>
				<b>Z1042</b> ELBOW ADAPTER	<b>171</b>

## TABLE OF CONTENTS - BY SECTION

<b>Z1088</b> BACKWATER VALVE GATE TYPE	<b>171</b>
<b>Z1090</b> BACKWATER VALVE FLAPPER TYPE	<b>172</b>
<b>Z1091</b> BACKWATER VALVE FLAPPER TYPE	<b>172</b>
<b>Z1095</b> BACKWATER VALVE FLAPPER TYPE	<b>173</b>
<b>Z1099</b> BACKWATER VALVE BALL FLOAT TYPE	<b>174</b>

### INTERCEPTORS

INTERCEPTORS – GENERAL INFORMATION	<b>176</b>
INTERCEPTORS – APPLICATION INDEX	<b>176</b>
GREASE INTERCEPTORS – PURPOSE	<b>176</b>
GREASE INTERCEPTORS – OPERATION	<b>177</b>
<b>Z250H</b> FOG-CEPTOR® INTERCEPTOR	<b>178</b>
<b>Z1165</b> 100 PPM GREASE INTERCEPTOR SYSTEM WITH SOLIDS INTERCEPTOR	<b>179</b>
<b>Z1170</b> GREASE INTERCEPTOR	<b>180</b>
<b>Z1170-UN</b> GREASE INTERCEPTOR WITH USER NOTIFICATION SYSTEM	<b>181</b>
<b>ZS1170</b> GREASE INTERCEPTOR STAINLESS STEEL	<b>182</b>
<b>Z1171</b> LOW PROFILE GREASE INTERCEPTOR	<b>183</b>
<b>Z1171-TD</b> LOW PROFILE GREASE INTERCEPTOR WITH ACCUMULATING CONE AND FLOW CONTROL TEE	<b>184</b>
<b>Z1172</b> LARGE CAPACITY GREASE INTERCEPTOR	<b>185</b>
<b>Z1172-UN</b> LARGE CAPACITY GREASE INTERCEPTOR WITH USER NOTIFICATION SYSTEM	<b>186</b>
<b>Z1173</b> EJECTO-MATIC GREASE INTERCEPTOR	<b>187</b>
<b>Z1173-TD</b> EJECTO-MATIC GREASE INTERCEPTOR WITH GREASE ACCUMULATING CONE AND IN-LINE SHUTOFF VALVE	<b>188</b>
<b>Z1174</b> GREASE EATING BACTERIA DOSING UNIT AND SOLIDS INTERCEPTOR COMBINATION	<b>189</b>
SOLIDS INTERCEPTORS – GENERAL PRODUCT INFORMATION	<b>190</b>
SOLIDS INTERCEPTORS – APPLICATION INDEX	<b>190</b>
SOLIDS INTERCEPTORS – SIZING	<b>190</b>
<b>Z1175</b> HAIR INTERCEPTOR	<b>191</b>
<b>Z1176</b> HAIR INTERCEPTOR	<b>191</b>
<b>Z1180</b> SOLIDS INTERCEPTOR	<b>192</b>
<b>Z1181</b> SOLIDS INTERCEPTOR	<b>192</b>
<b>Z1182</b> SIDE ACCESS SOLIDS INTERCEPTOR	<b>193</b>
<b>Z1183</b> SOLIDS INTERCEPTOR	<b>193</b>
<b>Z1183-DF</b> SOLIDS INTERCEPTOR WITH DISPOSABLE FILTER BAGS	<b>194</b>
<b>Z1183-FC</b> SOLIDS INTERCEPTOR WITH FLUSH COVER	<b>195</b>
<b>Z1184</b> BOTTOM ACCESS SOLIDS INTERCEPTOR	<b>196</b>
<b>Z1185</b> LINT INTERCEPTOR	<b>197</b>
OIL INTERCEPTORS – GENERAL PRODUCT INFORMATION	<b>198</b>
OIL INTERCEPTORS – APPLICATION INDEX	<b>198</b>
<b>Z1186</b> OIL INTERCEPTOR	<b>199</b>

<b>Z1186-ST</b> OIL INTERCEPTOR WITH INTEGRAL STORAGE TANK	<b>200</b>
<b>Z1187</b> SAND AND SEDIMENT INTERCEPTOR	<b>201</b>
<b>Z1187-SI</b> SAND INTERCEPTOR	<b>202</b>
<b>Z1188</b> LARGE CAPACITY OIL INTERCEPTOR	<b>203</b>
<b>Z1188-ST</b> LARGE CAPACITY OIL INTERCEPTOR WITH INTEGRAL STORAGE TANK	<b>204</b>
<b>Z1189</b> OIL/SEDIMENT INTERCEPTOR WITH HEAVY-DUTY GRATE	<b>205</b>
<b>Z1194</b> OIL LEVEL SENSOR RETROFIT KIT	<b>206</b>
<b>Z1196</b> OIL INTERCEPTOR WITH OIL LEVEL SENSOR	<b>207</b>
<b>Z1198</b> LARGE CAPACITY OIL INTERCEPTOR WITH OIL LEVEL SENSOR	<b>208</b>
<b>Z1198-ST</b> LARGE CAPACITY OIL INTERCEPTOR WITH INTEGRAL STORAGE TANK AND OIL LEVEL FLOAT SENSOR	<b>209</b>

### CARRIER SYSTEMS

CARRIER – APPLICATION INDEX	<b>212</b>
CARRIER – PRODUCT COMPLIANCE	<b>212</b>
CARRIER – TECHNICAL DATA	<b>212</b>
CARRIER – HOW TO SPECIFY	<b>212</b>
CARRIER – TECHNICAL DATA	<b>213</b>
<b>Z1200</b> CARRIER TOOLS AND ACCESSORIES	<b>214</b>
⌚ <b>Z1201-N</b> EZCARRY® ADJUSTABLE HORIZONTAL HIGH PERFORMANCE SIPHON JET – NO-HUB SERIES	<b>216</b>
⌚ <b>Z1201-H</b> EZCARRY® ADJUSTABLE HORIZONTAL HIGH PERFORMANCE SIPHON JET – HUB AND SPIGOT SERIES	<b>218</b>
<b>Z1201-N-XB</b> EZCARRY® BARIATRIC CARRIER – 1000 LB ADJUSTABLE HORIZONTAL SIPHON JET – NO-HUB SERIES	<b>220</b>
<b>Z1201-N-XH</b> EZCARRY® EXTRA HEAVY-DUTY 750 LB ADJUSTABLE HORIZONTAL SIPHON JET – NO-HUB SERIES	<b>221</b>
⌚ <b>ZE1201-N</b> EZCARRY® ADJUSTABLE HORIZONTAL SIPHON JET WITH ELONGATED FITTING – NO-HUB SERIES	<b>222</b>
⌚ <b>ZE1201-H</b> EZCARRY® ADJUSTABLE HORIZONTAL SIPHON JET WITH ELONGATED FITTING – HUB AND SPIGOT SERIES	<b>224</b>
⌚ <b>ZF1201-N</b> EZCARRY® HORIZONTAL SIPHON JET ONE-PIECE CARRIER – NO-HUB SERIES	<b>226</b>
⌚ <b>ZN1201-N</b> EZCARRY® ADJUSTABLE HORIZONTAL SIPHON JET – NO-HUB NARROW WALL SYSTEM (9-3/8" DEPTH FRONT TO BACK)	<b>227</b>
⌚ <b>Z1202-N</b> EZCARRY® ADJUSTABLE VERTICAL HIGH PERFORMANCE SIPHON JET – NO-HUB SERIES	<b>228</b>
⌚ <b>Z1202-H</b> EZCARRY® ADJUSTABLE VERTICAL HIGH PERFORMANCE SIPHON JET – HUB AND SPIGOT SERIES	<b>230</b>
<b>Z1202-N-XB</b> EZCARRY® BARIATRIC CARRIER – 1000 LB ADJUSTABLE VERTICAL SIPHON JET – NO-HUB SERIES	<b>232</b>
<b>Z1202-N-XH</b> EZCARRY® EXTRA HEAVY-DUTY 750 LB ADJUSTABLE VERTICAL SIPHON JET – NO-HUB SERIES	<b>233</b>
⌚ <b>ZF1202-N</b> EZCARRY® VERTICAL SIPHON JET ONE-PIECE CARRIER – NO-HUB SERIES	<b>234</b>
⌚ <b>ZN1202-N</b> EZCARRY® ADJUSTABLE VERTICAL SIPHON JET – NO-HUB NARROW WALL SYSTEM	<b>235</b>

<b>Z1203-N</b> ADJUSTABLE HORIZONTAL SIPHON JET – NO-HUB SERIES	<b>236</b>
<b>Z1203-H</b> ADJUSTABLE HORIZONTAL SIPHON JET – HUB AND SPIGOT SERIES	<b>238</b>
⌚ <b>ZE1203-N</b> ADJUSTABLE HORIZONTAL SIPHON JET WITH ELONGATED FITTING – NO-HUB SERIES	<b>240</b>
⌚ <b>ZE1203-H</b> ADJUSTABLE HORIZONTAL SIPHON JET WITH ELONGATED FITTING – HUB AND SPIGOT SERIES	<b>242</b>
<b>Z1204-H</b> ADJUSTABLE VERTICAL SIPHON JET – HUB AND SPIGOT SERIES	<b>244</b>
<b>Z1204-N</b> ADJUSTABLE VERTICAL SIPHON JET – NO-HUB SERIES	<b>246</b>
<b>Z1207-N</b> ADJUSTABLE HORIZONTAL HIGH ROUGH-IN SIPHON JET – NO-HUB	<b>248</b>
<b>Z1208-N</b> VERTICAL SIPHON JET WATER CLOSET SUPPORT SYSTEM – NO-HUB	<b>249</b>
<b>Z1208-H</b> VERTICAL SIPHON JET WATER CLOSET SUPPORT SYSTEM – HUB AND SPIGOT	<b>250</b>
<b>Z1209-N</b> VERTICAL OFFSET SIPHON JET WATER CLOSET SUPPORT SYSTEM – NO-HUB	<b>251</b>
<b>ZN1209-N</b> VERTICAL OFFSET SIPHON JET – NO-HUB NARROW WALL SYSTEM	<b>252</b>
<b>Z1212</b> WALL CLOSET SUPPORT SYSTEM	<b>253</b>
<b>Z1213-N</b> 4" VERTICAL SIPHON JET WATER CLOSET SUPPORT SYSTEM – 2" OR 4" TOP VENT CLOSET FITTING ONLY (NO SUPPORT)	<b>254</b>
<b>Z1216</b> 90° DOUBLE NO-HUB SYSTEM F OR FLOOR MOUNTED BACK OUTLET WATER CLOSETS	<b>255</b>
<b>Z1217</b> COUPLING TYPE SYSTEM – WALL URINAL/SERVICE SINK	<b>256</b>
<b>Z1218</b> COUPLING TYPE SYSTEM – WALL URINAL/SERVICE SINK	<b>257</b>
<b>Z1221</b> PLATE TYPE SYSTEM – WALL URINALS	<b>258</b>
<b>Z1222</b> PLATE TYPE SYSTEM – WITH BEARING PLATE	<b>258</b>
<b>Z1223</b> PLATE TYPE SYSTEM – TROUGH URINALS	<b>259</b>
<b>Z1224</b> PLATE TYPE SYSTEM – LAVATORY WITH BACK	<b>259</b>
<b>Z1225</b> PLATE TYPE SYSTEM – WATER COOLERS	<b>260</b>
<b>Z1229</b> PLATE AND EXPOSED ARM – HEAVY SINKS	<b>260</b>
<b>Z1231</b> CONCEALED ARM SYSTEM – WALL LAVATORIES	<b>261</b>
⌚ <b>Z1231-EZ</b> CONCEALED ARM SYSTEM – WALL LAVATORIES	<b>261</b>
⌚ <b>Z1231-EZR</b> CONCEALED ARM SYSTEM – FOR WALL LAVATORIES WITH ADJUSTABLE UPRIGHTS AND HEADER PLATES	<b>262</b>
<b>Z1236</b> EXPOSED ARM SYSTEM – WALL LAVATORIES/SINKS	<b>263</b>
<b>Z1251</b> CONCEALED ARM SYSTEM – WALL SUPPORTED	<b>264</b>
<b>Z1253</b> ADJUSTABLE CONCEALED ARM SYSTEM – WALL SUPPORTED	<b>264</b>
<b>Z1255</b> EXPOSED ARM SYSTEM – WALL SUPPORTED	<b>265</b>
<b>Z1256</b> EXPOSED ARM SYSTEM – WALL SUPPORTED	<b>266</b>
<b>Z1257</b> EXPOSED ARM SYSTEM – WALL SUPPORTED	<b>266</b>
<b>Z1258</b> EXPOSED ARM SYSTEM – WALL SUPPORTED	<b>267</b>

## TABLE OF CONTENTS - BY SECTION

<b>Z1259</b> PLATE SYSTEM – WALL SUPPORTED	<b>268</b>
<b>Z1280</b> WOOD STUD SUPPORTED WATER CLOSET CARRIER – NO-HUB	<b>269</b>
<b>Z1282</b> WOOD STUD SUPPORTED WATER CLOSET CARRIER – HUB AND SPIGOT	<b>269</b>
<b>Z1283</b> WOOD STUD SUPPORTED WATER CLOSET CARRIER – PLASTIC PIPE	<b>270</b>
<b>Z1284</b> CONCRETE FLOOR SUPPORTED WATER CLOSET CARRIER	<b>270</b>
<b>Z1285</b> WOOD STUD SUPPORTED WATER CLOSET CARRIER	<b>271</b>
<b>Z1290</b> EASTERN STYLE WATER CLOSET	<b>272</b>

### HYDRANTS

HYDRANTS - APPLICATION INDEX	<b>274</b>
<b>Z1300</b> ECOLOTROL WALL HYDRANT – ENCASED, NON-FREEZE, ANTI-SIPHON, AUTOMATIC DRAINING	<b>275</b>
<b>Z1305</b> WALL HYDRANT – ENCASED, NON-FREEZE	<b>275</b>
<b>Z1310</b> ECOLOTROL WALL HYDRANT – EXPOSED, NON-FREEZE, ANTI-SIPHON, AUTOMATIC DRAINING	<b>276</b>
<b>Z1315</b> WALL HYDRANT – EXPOSED, NON-FREEZE	<b>276</b>
<b>Z1320XL</b> ECOLOTROL CERAMIC DISC WALL HYDRANT – ENCASED, NON-FREEZE, ANTI-SIPHON, AUTOMATIC DRAINING	<b>277</b>
⌚ <b>Z1320XL-EZ</b> ECOLOTROL CERAMIC DISC WALL HYDRANT – ENCASED, NON-FREEZE, ANTI-SIPHON, AUTOMATIC DRAINING	<b>277</b>
<b>Z1321XL</b> ECOLOTROL CERAMIC DISC WALL HYDRANT – EXPOSED, NON-FREEZE, ANTI-SIPHON, AUTOMATIC DRAINING	<b>278</b>
⌚ <b>Z1322XL-EZ</b> ECOLOTROL CERAMIC DISC WALL HYDRANT – EXPOSED, NON-FREEZE, ANTI-SIPHON, AUTOMATIC DRAINING	<b>279</b>
<b>Z1325</b> WALL HYDRANT – ENCASED, VARI-TEMP, NON-FREEZE	<b>280</b>
⌚ <b>Z1327-EZ</b> NARROW WALL HOT/COLD HYDRANT WITH MOUNTING BRACKETS – ENCASED, MODERATE CLIMATE	<b>280</b>
<b>Z1330XL</b> ECOLOTROL CERAMIC DISC WALL HYDRANT – ENCASED, ANTI-SIPHON, AUTOMATIC DRAINING, MODERATE CLIMATE	<b>281</b>
⌚ <b>Z1332XL-EZ</b> ECOLOTROL CERAMIC DISC WALL HYDRANT – ENCASED, ANTI-SIPHON, AUTOMATIC DRAINING, MODERATE CLIMATE	<b>281</b>
<b>Z1333XL</b> ECOLOTROL CERAMIC DISC WALL HYDRANT – EXPOSED, ANTI-SIPHON, AUTOMATIC DRAINING, MODERATE CLIMATE	<b>282</b>
<b>Z1335</b> WALL HYDRANT – ENCASED, MODERATE CLIMATE	<b>282</b>
<b>Z1350</b> NARROW WALL HYDRANT – ENCASED, MODERATE CLIMATE	<b>283</b>
⌚ <b>Z1350-EZ</b> NARROW WALL HYDRANT WITH MOUNTING BRACKETS – ENCASED, MODERATE CLIMATE	<b>283</b>

<b>Z1360XL</b> GROUND HYDRANT – ENCASED, FLUSH TYPE, NON-FREEZE	<b>284</b>
<b>Z1365</b> GROUND HYDRANT – ENCASED, FLUSH TYPE, NON-FREEZE	<b>285</b>
<b>Z1370</b> GROUND HYDRANT – ENCASED, HOSE STORAGE, NON-FREEZE	<b>286</b>
<b>Z1375</b> GROUND HYDRANT – ENCASED, MODERATE CLIMATE, INTERIOR USE	<b>287</b>
<b>Z1385</b> POST HYDRANT – EXPOSED HEAD, NON-FREEZE	<b>287</b>
<b>Z1388XL</b> ROOF HYDRANT – EXPOSED HEAD, NON-FREEZE	<b>288</b>
<b>Z1390</b> POST HYDRANT – EXPOSED HEAD, NON-FREEZE	<b>288</b>
<b>Z1395XL</b> YARD HYDRANT – EXPOSED HEAD, NON-FREEZE	<b>289</b>
<b>Z1397XL</b> FLO-TROL YARD HYDRANT – EXPOSED HEAD, NON-FREEZE	<b>290</b>

### CLEANOUTS

CLEANOUTS – APPLICATION INDEX	<b>292</b>
⌚ <b>Z1400-BZ1</b> FLOOR CLEANOUT WITH "TYPE B" COVER AND EZ1™ TECHNOLOGY	<b>293</b>
⌚ <b>Z1400-SZ1</b> BODY ASSEMBLY W/ "TYPE S" COVER AND EZ1™ TECHNOLOGY	<b>294</b>
⌚ <b>Z1400-BZ1-DP</b> BODY ASSEMBLY W/ "TYPE B" COVER, DECK PLATE AND EZ1™ TECHNOLOGY	<b>295</b>
⌚ <b>Z1400-SZ1-DP</b> BODY ASSEMBLY W/ "TYPE S" COVER, DECK PLATE AND EZ1™ TECHNOLOGY	<b>296</b>
⌚ <b>Z1400B-DP</b> BODY ASSEMBLY W/ "TYPE B" COVER AND DECK PLATE	<b>297</b>
⌚ <b>Z1400S-DP</b> BODY ASSEMBLY W/ "TYPE S" COVER AND DECK PLATE	<b>298</b>
<b>Z1400</b> EXTRA HEAVY-DUTY "LEVEL-TROL" ADJUSTABLE FLOOR CLEANOUT	<b>299</b>
⌚ <b>Z1400-BZ</b> "LEVEL-TROL" ADJUSTABLE LEVELING FLOOR CLEANOUT	<b>300</b>
⌚ <b>Z1400-SZ</b> "LEVEL-TROL" SQUARE ADJUSTABLE LEVELING FLOOR CLEANOUT	<b>301</b>
<b>Z1400-K</b> HEAVY-DUTY "LEVEL-TROL" ADJUSTABLE FLOOR CLEANOUT WITH ANCHOR FLANGE	<b>302</b>
<b>Z1402</b> HEAVY-DUTY NON-ADJUSTABLE FLOOR CLEANOUT	<b>303</b>
<b>Z1404</b> HEAVY-DUTY FLOOR ACCESS HOUSING	<b>304</b>
<b>Z1406</b> HEAVY-DUTY ADJUSTABLE SPIGOT CLEANOUT	<b>304</b>
<b>Z1440</b> CLEANOUT FERRULE WITH PLUG	<b>305</b>
<b>Z1445</b> CLEANOUT TEE	<b>306</b>
<b>Z1446</b> CLEANOUT WITH ROUND WALL ACCESS COVER	<b>306</b>
<b>Z1449</b> CLEANOUT FERRULE WITH PLUG	<b>307</b>
<b>Z1454</b> ADJUSTABLE FLOOR CLEANOUT WITH FLASHING FLANGE	<b>307</b>
<b>Z1456</b> DECK CLEANOUT	<b>308</b>
<b>Z1457</b> FLOOR ACCESS COVER	<b>308</b>

<b>Z1460</b> SQUARE WALL ACCESS PANEL	<b>309</b>
<b>Z1461</b> SQUARE HINGED ACCESS PANEL	<b>309</b>
<b>Z1462</b> SECURED WALL ACCESS PANEL	<b>310</b>
<b>Z1463</b> ROUND SCORIATED ACCESS COVER	<b>310</b>
<b>Z1464</b> WATER SUPPLY CONTROL BOX ASSEMBLY	<b>311</b>
<b>Z1468</b> ACCESS COVER AND PLUG	<b>311</b>
<b>Z1469</b> ROUND ACCESS COVER	<b>312</b>
<b>Z1470</b> BRONZE CLEANOUT PLUG	<b>312</b>
<b>Z1471</b> AIR INLET	<b>313</b>
<b>Z1474</b> HEAVY-DUTY CLEANOUT HOUSING	<b>313</b>

### WATER HAMMER ARRESTORS

<b>Z1700</b> SHOKTROLS	<b>316</b>
<b>Z1712</b> ACCUMUTROL	<b>316</b>

### STAINLESS STEEL DRAINS

STAINLESS STEEL DRAINS – APPLICATION INDEX	<b>318</b>
STAINLESS STEEL DRAINS – BUTT-WELD ENGINEERING DATA	<b>318</b>
<b>Z1715</b> 15" DIAMETER ROOF DRAIN	<b>319</b>
<b>Z1717</b> SCUPPER DRAIN	<b>319</b>
<b>Z1720</b> 4" X 8" OPEN SIGHT DRIP DRAIN	<b>320</b>
<b>Z1721</b> 6" X 12" OPEN SIGHT DRIP DRAIN	<b>320</b>
<b>Z1724</b> ROUND FUNNEL	<b>321</b>
<b>Z1725</b> OVAL FUNNEL	<b>321</b>
<b>Z1726</b> ADJUSTABLE MEDIUM DUTY FLOOR DRAIN WITH ROUND TOP	<b>322</b>
<b>Z1727</b> ADJUSTABLE MEDIUM DUTY FLOOR DRAIN WITH SQUARE TOP	<b>323</b>
<b>Z1730</b> 9" DIAMETER HEAVY-DUTY SHALLOW TYPE FLOOR DRAIN	<b>324</b>
<b>Z1731</b> 9" DIAMETER HEAVY-DUTY MEDIUM DEPTH FLOOR DRAIN	<b>324</b>
<b>Z1732</b> 9-5/8" DIAMETER HEAVY-DUTY ADJUSTABLE FLOOR DRAIN	<b>325</b>
<b>Z1735</b> 12" DIAMETER HEAVY-DUTY FLOOR DRAIN	<b>325</b>
<b>Z1736</b> 12" DIAMETER EXTRA HEAVY-DUTY FLOOR DRAIN	<b>326</b>
<b>Z1737</b> 15" DIAMETER EXTRA HEAVY-DUTY FLOOR DRAIN	<b>326</b>
<b>Z1739</b> PIT DRAIN	<b>327</b>
<b>Z1740</b> BACKWATER VALVE	<b>327</b>
<b>Z1745</b> FLOOR CLEANOUT WITH O-RING SEAL PLUG	<b>328</b>
<b>Z1749</b> 12" X 12" SANI-FLOOR RECEPTOR WITH 4" SUMP DEPTH	<b>329</b>
<b>Z1750</b> 12" X 12" SANI-FLOOR RECEPTOR WITH 6" SUMP DEPTH	<b>330</b>
<b>Z1751</b> 12" X 12" SANI-FLOOR RECEPTOR WITH 8" SUMP DEPTH	<b>331</b>
<b>Z1752</b> 12" X 12" SANI-FLOOR RECEPTOR WITH 10" SUMP DEPTH	<b>332</b>

## TABLE OF CONTENTS - BY SECTION

**Z1755** 13-3/8" SQUARE SANI-FLOOR RECEPTOR 6" SUMP WITH ADJUSTABLE CLAMP FRAME **333**

**Z1761** 24-5/16" SQUARE KETTLE DRAIN WITH 8" SUMP DEPTH **333**

**Z1762** 25" X 15-1/2" KETTLE DRAIN **334**

**Z1763** 37-9/16" X 22-7/8" KETTLE DRAIN **335**

### FABRICATED STAINLESS STEEL DRAINS

**ZS880** STAINLESS STEEL LINEAR SHOWER DRAIN **338**

**Z1800-6B** 6" DIAMETER INDUSTRIAL FLOOR DRAIN 4-19/32" SUMP DEPTH **339**

**Z1800-8B** 8" DIAMETER INDUSTRIAL FLOOR DRAIN 6" SUMP DEPTH **340**

**Z1800-8S** 8" X 8" INDUSTRIAL FLOOR DRAIN 6" SUMP DEPTH **340**

**Z1800-12B** 12" DIAMETER INDUSTRIAL FLOOR DRAIN 6" SUMP DEPTH **341**

**Z1800-12S** 12" X 12" INDUSTRIAL FLOOR DRAIN 6" SUMP DEPTH **341**

**Z1810-6B** 6" DIAMETER ADJUSTABLE INDUSTRIAL FLOOR DRAIN **342**

**Z1810-8B** 8" DIAMETER ADJUSTABLE INDUSTRIAL FLOOR DRAIN **342**

**Z1810-8S** 8" X 8" ADJUSTABLE INDUSTRIAL FLOOR DRAIN **343**

**Z1810-12B** 12" DIAMETER ADJUSTABLE INDUSTRIAL FLOOR DRAIN **343**

**Z1810-12S** 12" X 12" ADJUSTABLE INDUSTRIAL FLOOR DRAIN **344**

**Z1820-8B** 8" DIAMETER INDUSTRIAL FLOOR DRAIN WITH SIDE OUTLET **344**

**Z1820-8S** 8" X 8" INDUSTRIAL FLOOR DRAIN WITH SIDE OUTLET **345**

**Z1820-12B** 12" DIAMETER INDUSTRIAL FLOOR DRAIN WITH SIDE OUTLET **345**

**Z1820-12S** 12" X 12" INDUSTRIAL FLOOR DRAIN WITH SIDE OUTLET **346**

**Z1830-8B** 8" DIAMETER INDUSTRIAL FLOOR DRAIN 8" SUMP DEPTH **346**

**Z1830-8S** 8" X 8" DIAMETER INDUSTRIAL FLOOR DRAIN 8" SUMP DEPTH **347**

**Z1830-12B** 12" DIAMETER INDUSTRIAL FLOOR DRAIN 8" SUMP DEPTH **347**

**Z1830-12S** 12" X 12" INDUSTRIAL FLOOR DRAIN 8" SUMP DEPTH **348**

**Z1840-6B** 6" DIAMETER INDUSTRIAL FLOOR CLEANOUT **348**

**Z1840-6S** 6" X 6" INDUSTRIAL FLOOR CLEANOUT **349**

**Z1840-8B** 8" DIAMETER INDUSTRIAL FLOOR CLEANOUT **349**

**Z1840-8S** 8" X 8" INDUSTRIAL FLOOR CLEANOUT **350**

### SANI-FLOOR RECEPTORS

SANI-FLOOR RECEPTORS – MATERIAL SELECTION **352**

SANI-FLOOR RECEPTORS – OPTIONS AND VARIATIONS **352**

**Z1900** 12" X 12" A.R.E. SANI-FLOOR RECEPTOR WITH 6" SUMP DEPTH **353**

☉ **Z1900-RL** 12" X 12" X 6" REPLACEMENT FLOOR SINK LINER **354**

**Z1901** 12" X 12" A.R.E. SANI-FLOOR RECEPTOR WITH 8" SUMP DEPTH **355**

☉ **Z1901-RL** 12" X 12" X 8" REPLACEMENT FLOOR SINK LINER **356**

**Z1902** 12" X 12" A.R.E. SANI-FLOOR RECEPTOR WITH 10" SUMP DEPTH **357**

☉ **Z1902-RL** 12" X 12" X 10" REPLACEMENT FLOOR SINK LINER **358**

☉ **Z1903** SANI-FLOOR RECEPTOR INSTALLATION STABILIZER **358**

**Z1910** 8" X 8" A.R.E. SANI-FLOOR RECEPTOR WITH 6" SUMP DEPTH **359**

☉ **Z1910-RL** 8" X 8" X 6" REPLACEMENT FLOOR SINK LINER **360**

**Z1920** 16" X 16" A.R.C. SANI-FLOOR RECEPTOR WITH 7" SUMP DEPTH **361**

**Z1926** 16" X 16" A.R.C. SANI-FLOOR RECEPTOR WITH 12" SUMP DEPTH **362**

**Z1930** 8" X 4" A.R.C. SANI-FLOOR RECEPTOR WITH 4" SUMP DEPTH **363**

**Z1940** 12" X 6" A.R.C. SANI-FLOOR RECEPTOR WITH 8" SUMP DEPTH **364**

**Z1950** 12" DIAMETER A.R.E. SANI-FLOOR RECEPTOR WITH 8" SUMP DEPTH **365**

**Z1960** 8" DIAMETER A.R.E. SANI-FLOOR RECEPTOR WITH 6" SUMP DEPTH **366**

**Z1970** 9" DIAMETER SHALLOW A.R.C. SANI-FLOOR RECEPTOR WITH 3" SUMP DEPTH **367**

**Z1982** 12" X 12" STAINLESS STEEL SANI-FLOOR CAN WASH DRAIN WITH 8" SUMP DEPTH **368**

**Z1995** 24" X 16" A.R.C. SANI-FLOOR RECEPTOR WITH 17" SUMP DEPTH **368**

### TECHNICAL INFORMATION

TECHNICAL INFO - ZURN OUTLET PIPE CONNECTIONS **370**

TECHNICAL INFO - TOP LOADING CLASSIFICATION **371**

TECHNICAL INFO - ZURN MATERIALS AND FINISHES **372**

GENERAL TERMS AND CONDITIONS **380**

**NOTE:** Items designated as best sellers are most specified and are generally in stock for shipment.

Items contained in the legacy configuration addendum are still available to support legacy specification but may be subject to longer lead-times. Call factory for availability or suggested substitution of a recommended best seller.



Patented

🕒 **Z250H FOG-CEPTOR® INTERCEPTOR**

## Separating Itself from the Competition, FOG-ceptor Provides a Fast, Cost-Effective Solution When It Matters Most



When your interceptor fails, you need a fast, easy solution to get your business operating again. The Z250H FOG-ceptor interceptor is cost-effective, easy to maintain and ships within 24-48 hours. Backed by a 30-year warranty, the FOG-ceptor is made of durable fiberglass, and provides superior performance with less maintenance. Choose Zurn for innovative product solutions; a name you can trust for all your commercial plumbing needs.

Total package shipped and ready for installation

### Versatile

- Reduces maintenance with smooth, fiberglass construction for fast, complete pump-outs and easy rinse down – SAVING TIME AND MONEY
- Replaces failed interceptors in buried and above ground applications including in-kitchen, exterior landscaped or traffic-rated areas, semi-recessed, and burial installations
- Retrofits fat, oil, or grease interceptors, with superior performance for the life of your building

### Reliable

- Locally stocked for fast delivery- keeping your business running with minimal disruption
- Third-party certified to national performance standards PDI and UPC
- Reliable performance, backed by a 30-year guarantee



Optional: Electronic monitoring Smartpro® wireless system monitors grease and sediment with the push of a button



See page 200 for ordering information.





**A SPEEDY SETUP**

Sold complete and ready to install, EZ1 is an intuitive product that saves contractors time and money.

**LONG-TERM DURABILITY**

Whether cast iron or plastic, EZ1 is crafted to stand up against wear and tear over the product's lifecycle.

**DESIGNED TO RUN LIKE CLOCKWORK**

EZ1's integrated engineering, which includes an easy post-pour adjustment and tilt accessory package, delivers high-level functionality and requires minimal skill to install or maintain.



# Introducing the EZ1™, It's About Time

Contractors have waited long enough for a floor drain that's easy to install and built for the long haul. Zurn's EZ1—available in cast iron and plastic—comes out of the box as a complete system, allows for post-pour adjustment with an integrated strainer, provides job-site flexibility and maintains ongoing reliability.

Don't hesitate. Make the EZ choice. *Learn more at [zurn.com/ez1](http://zurn.com/ez1)*



ZURN.COM

US 1.855.ONE.ZURN CANADA 1.877.892.5216



PRODUCT HIGHLIGHT

ZURN

Patented

## Ⓢ STABILIZER SOLUTIONS

# Stabilization Achieved with Zurn's Patented Solutions for Common Installation Concerns

### Labor Savings

- System secures drain to stub-out pipe, sub floor or structural deck to prevent movement during installation process
- Pre-assembly to rough-in height allows for quick and easy job site placement
- Stabilizing system keeps drain secured in concrete, eliminating the need for fire stop, drypack, and grout to hold the drain in place

### Versatility

- Z400-SR Stabilizing Ring for 8-3/8" floor drain for stub out installation
- Z1035 Stabilizer Plate for 8-3/8" floor drain and Z1400-K cleanout for sub floor installation
- Z1035-Q Stabilizer Plate for 8-3/8" floor drain and Z1400-K cleanout for structural deck installation
- Z1036 Stabilizer Plate for 12" and 15" sub floor installation
- Z1903 Stabilizer Plate for Z1900 A.R.E floor sink and Z1750 stainless floor sinks for sub floor installation

See pages 83, 169-170, 358 for ordering information.

Patented

⌚ **THE RACE FOR TIME - Z1231-EZ**

## Zurn Labor-Saving Products Help New York Healthcare Facility to Build Quickly and Affordably

The Erie County Medical Center (ECMC) in Buffalo, New York needed to replace the 80-year-old Erie County Nursing Home, formerly of Alden, New York, as the home was quickly running out of space to provide effective, long-term patient care. The original two-year construction plan was revised with an accelerated project completion of 15 months. ECMC needed a plumbing contractor who could provide a labor-saving solution to meet their aggressive deadline.

The Lavatory EZ Carriers (Z1231-EZ) were key labor-saving products installed at ECMC. These concealed arm lavatory carriers are assembled and pre-packaged at the factory. Once on site, the scale on the adjusting bars lets you quickly set centerline dimensions. This allows for less work at the site, and a reduction in overall installation time.

"My workers in the field prefer to use Zurn products," says Chad Krajewski. "They're well made, reliable, sturdy, and are easy to assemble. It's also comforting to know that Zurn provides a variety of customizations which will help a product or installation meet specific site requirements." Krajewski added that these carriers were significant time savers that fit well into his construction plans.

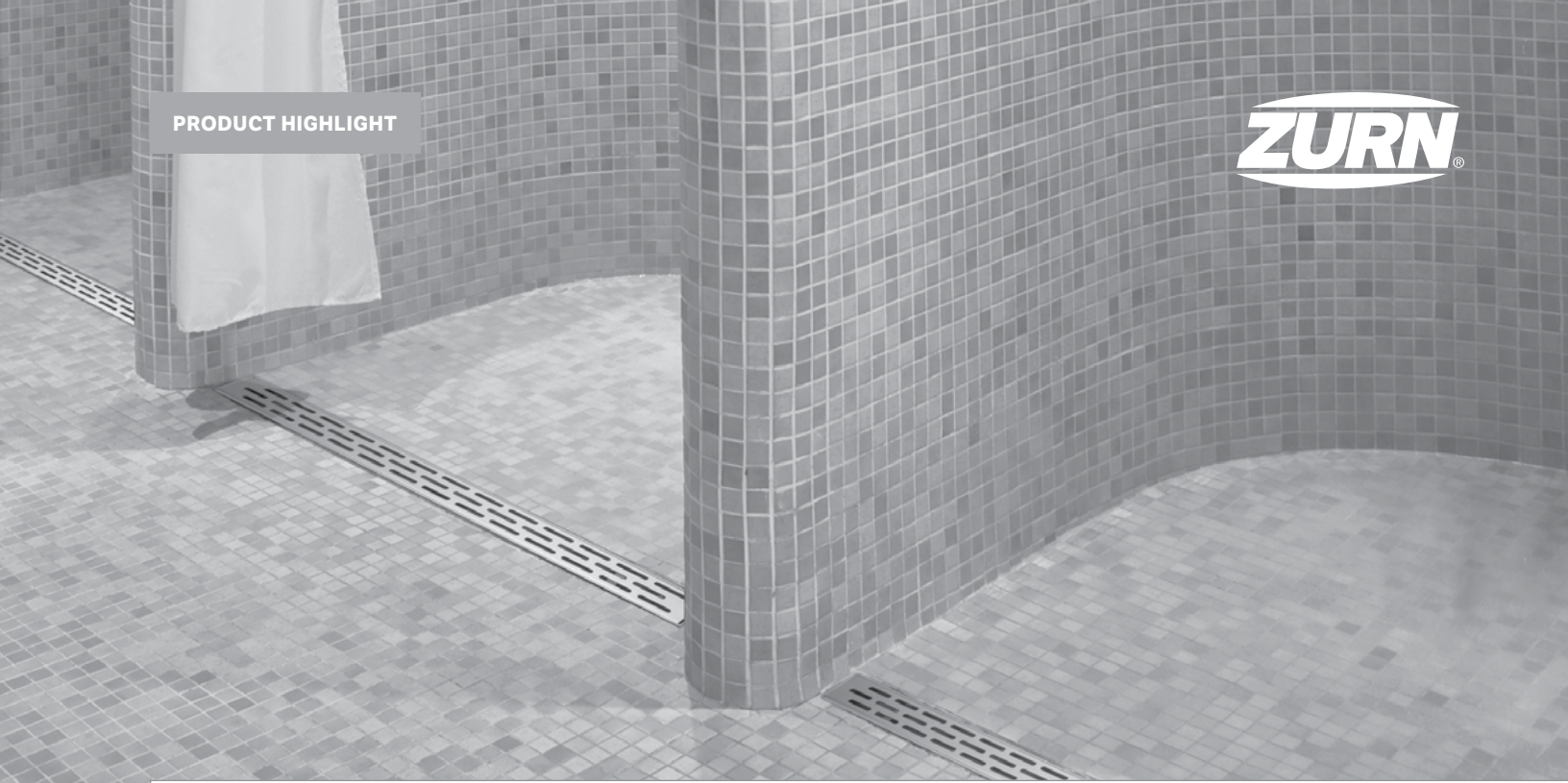


"I chose Zurn products because I was looking to save time...Many construction projects now are 'hurry-up,' and clients want them to be completed in record time while still significantly cutting labor costs. Today, with tighter schedules and less room to spend on construction projects, Zurn solutions are a great option for contractors."

**CHAD KRAJEWSKI**  
Plumbing Foreman, MLP Plumbing.

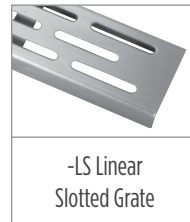
See page 261 for ordering information.

⌚ This symbol denotes a product that is engineered to reduce installation and rework time. For additional product information, please visit [zurn.com/laborsavings](http://zurn.com/laborsavings)

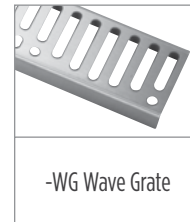


**ZS880 STAINLESS STEEL LINEAR SHOWER DRAIN**

Beauty Meets Function and Performance - Ideal for Residential, Health Care, and Hospitality Applications



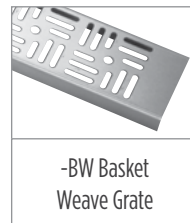
-LS Linear Slotted Grate



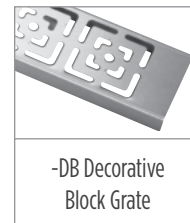
-WG Wave Grate



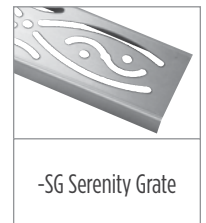
-TG Tile Inlay Grate



-BW Basket Weave Grate



-DB Decorative Block Grate



-SG Serenity Grate

Discover how easy it can be to create a barrier-free shower enclosure that delivers reliable performance and architectural design. The ZS880 eliminates the need to slope the finished flooring in multiple directions, allowing drainage of a substantially larger floor surface area than traditional shower drains. Instead, pitch the floor in one direction towards the linear shower drain, and finish the job in record time. A beautiful installation has never been so simple.

**Innovative**

- Patent pending frame and grate features allow effortless height and level adjustment, reducing pooling
- Barrier-free installation creates accessibility and freedom in applications requiring ADA compliance
- Performance engineered channel promotes superior water evacuation

**Labor Saving**

- Integral tiling edge reduces installation time while protecting flooring from damage
- Adjustable anchoring feet provide stability before and during the concrete pour
- Integral flange allows hassle-free membrane attachment
- Type 304 stainless steel construction provides corrosion resistance, durability, and low maintenance

**Versatile**

- Extensive grating design and decorative finish options enhance aesthetic appeal
- Low-profile design allows installation in 2" over pour
- Customization available to suit an array of project needs

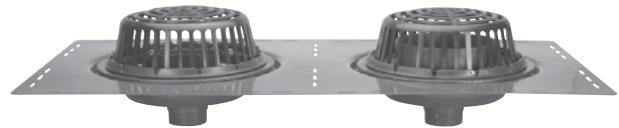
See page 338 for ordering information.



Patented

⌚ **ZURN TOP-SET® DECK PLATE**

The -DP Option is Top of Class, with a Proven Feature Set That Will Save Time and Money

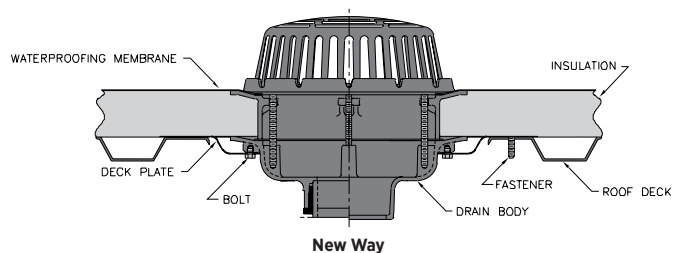
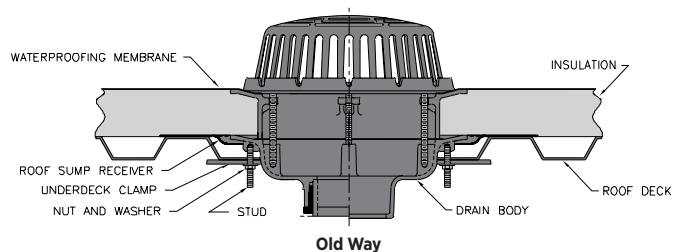


**Labor Saving**

- -DP option features ease of installation for quick job completion
- Entire roof drain assembly installed from topside of roof requiring only pipe connection underside roof
- Deck plate replaces the need for separate under deck clamps and roof-sump receivers
- Pipe connection is completed

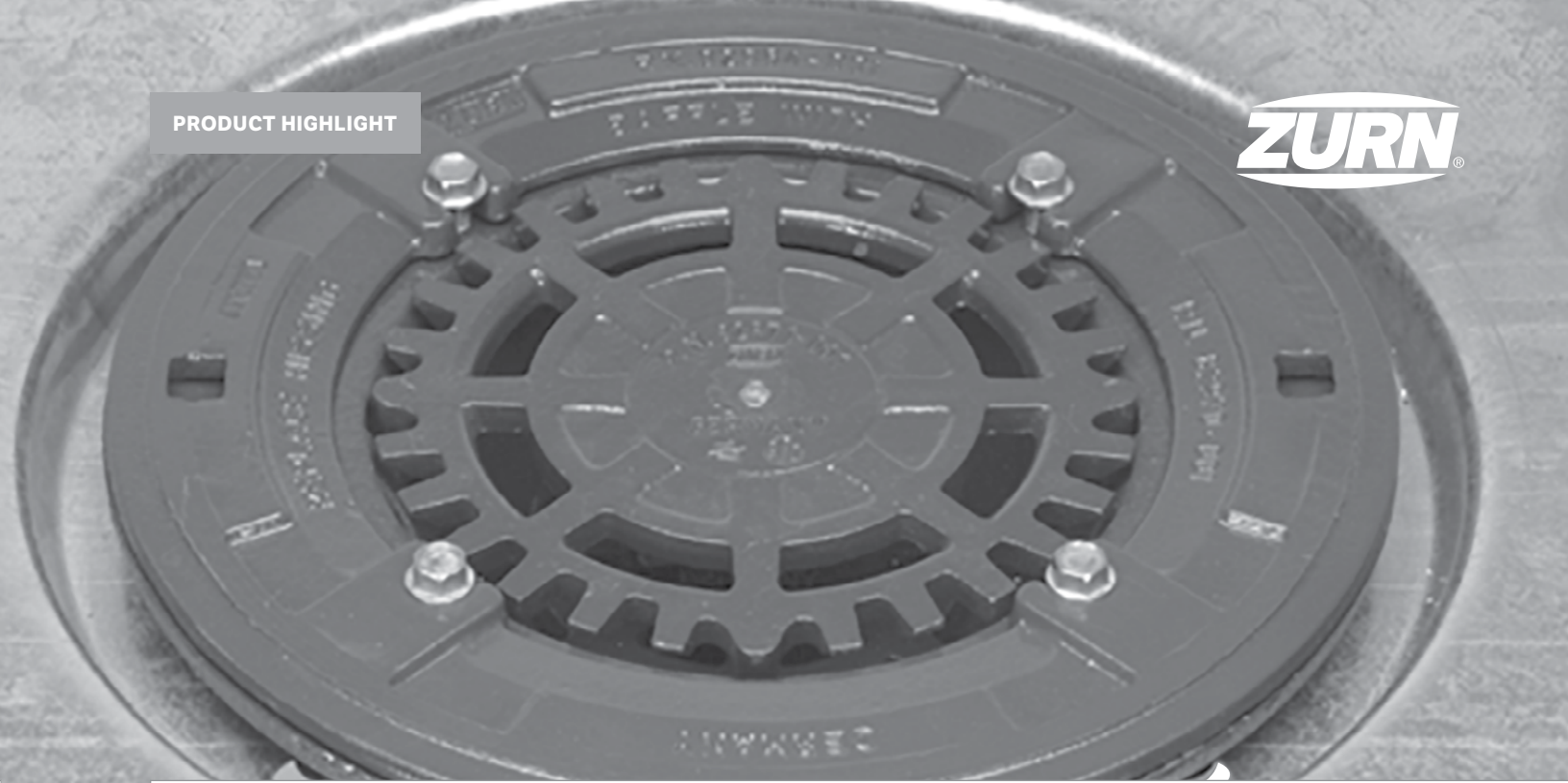
**Versatility**

- Three size (-DP) for trouble-free fit 8", 12", and 15" diameter drains
- Multiple slot arrangements to accommodate a variety of roof decks
- Constructed of 14-gauge steel with a corrosive-resistant finish



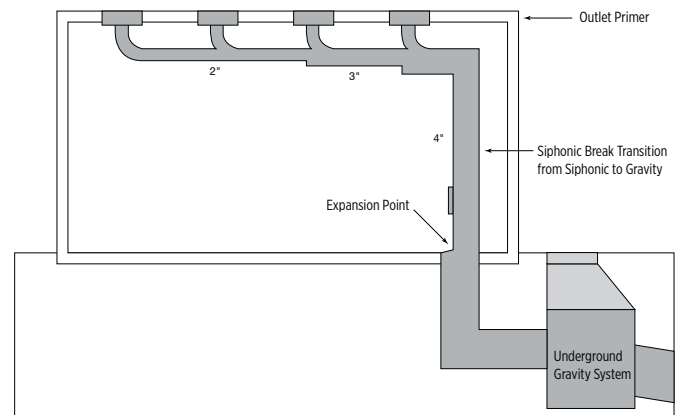
See (-DP) in the roof drain section for ordering information.

⌚ This symbol denotes a product that is engineered to reduce installation and rework time. For additional product information, please visit [zurn.com/laborsavings](http://zurn.com/laborsavings)



⌚ **Z130 SIPHONIC ROOF DRAIN WITH DECK PLATE**

Full-Bore Flow Achieved  
Siphonic Technology  
Provides a Higher Velocity  
and Flow Volume



Siphonic Roof Drain System

**How It Works**

- Siphonic drainage can be achieved by adding/securing a highly engineered air baffle to the sump of a standard conventional drain
- This air baffle prevents vortex flow while restricting air from entering the vertical tailpipe and horizontal collector piping
- As water forces air out, a negative head pressure is created in the collector pipe and the water is sucked off the roof
- In a Zurn Siphonic Drain, full-bore flow occurs with 2" of water above the air baffle
- Multiple drains can flow into a common horizontal collector pipe. This pipe eventually turns downward into a vertical downspout and transfers to conventional gravity drainage when below grade.
- When not operating under full flow, the system drains like a gravity system

**Benefit Summary of a Zurn Siphonic System**

- No pitch requirement in piping to induce flow
- Smaller pipe diameters get equal flow rates
- Flow Rates of Zurn Siphonic:  
2" - 149 gpm, 3" - 380 gpm, 4" - 704 gpm
- Vertical stack placement is flexible
- No cleanouts necessary in system. Higher flow velocities help to clean pipes
- More efficient than conventional drainage
- Use of recycled materials

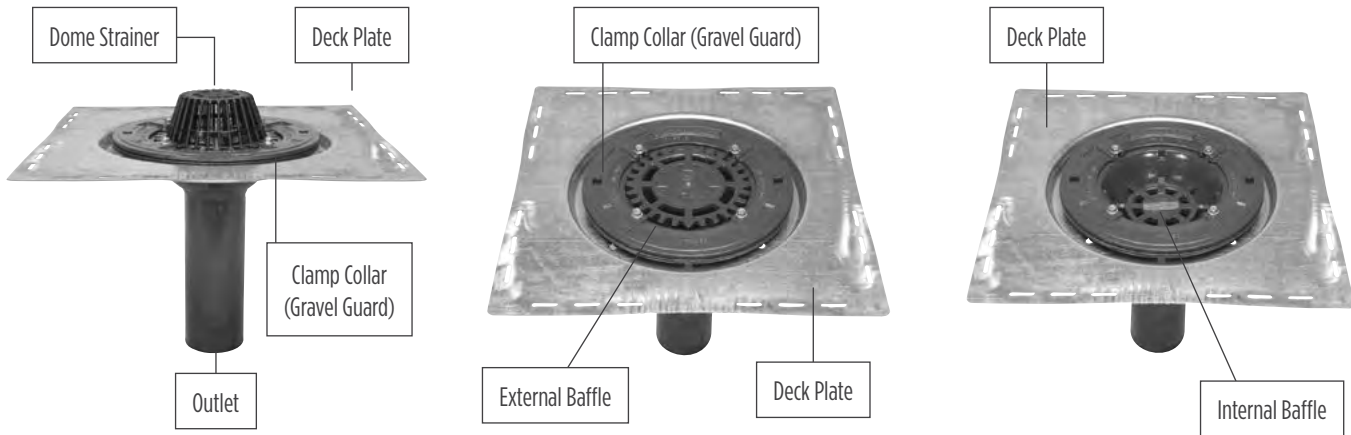
See page 44 for ordering information.

⌚ This symbol denotes a product that is engineered to reduce installation and rework time.

For additional product information, please visit [zurn.com/laborsavings](http://zurn.com/laborsavings)

## 🕒 Z130 SIPHONIC ROOF DRAIN WITH DECK PLATE

### Components of a Siphonic System



### Plan a Custom Siphonic System

To determine the number of drains:

1. Select location of the drains on the roof.
2. Select the location of the down pipe.
3. Horizontal collector pipe length should not exceed 20 times the building height.
4. Maximum distance between SDS drains with a common collector pipe is 65 feet.
5. Use the chart below to select the number of drains based on square feet and rainfall data.

Note: This tool can be used for a quick estimate for number of drains - must have system designed by Zurn for complete piping layout.

### Siphonic Design Questions

Please fill out the questions below along with building plans including roof layout and building sections as a DWG file.

1. What kind of roof construction is it? (details, surface)
2. What are the measurements of the sections of the roof?
3. Is there a specific location the roofer would like the drains to be placed?
4. Will a rainwater harvesting system be used on this project?
5. What is the rainfall data for the area?
6. Do you have ground plans for the building sections?
7. Where do you want the down pipe located?
8. What material of piping are you using? (PVC, cast iron)
9. What is the minimum height of the horizontal drainage pipe?
10. Are there any specific areas where drains cannot be located?
11. Are overflow drains required?

### SDS with Air Baffle, Machined Collar Clamp, and Zurn Dome

ROOF DRAIN VERTICAL REQUIREMENT FOR HORIZONTAL ROOF AREAS AT VARIOUS RAINFALL RATES											
LEADER SIZE		HOURLY RAINFALL IN INCHES									
PIPE SIZE (IN.)	OPEN AREA (SQ. IN.)	1	1.5	2	2.5	3	4	5	6	7	8
		TOTAL SQUARE FOOTAGE COVERED PER DRAIN*									
2	2.66	14,188	9,458	7,094	5,675	4,729	3,547	2,837	2,364	2,026	1,773
3	6.33	36,614	24,409	18,307	14,645	12,204	9,153	7,322	6,102	5,230	4,576
4	12.17	67,736	45,157	33,868	27,094	22,578	16,934	13,547	11,289	9,676	8,467

\*Theoretical value based on ideal condition of our tests in the University of Munich (without safety factor).

See page 44 for ordering information.



**GREEN ROOFING DRAINAGE SOLUTIONS**

## It's Easy Being Green

Having proper drainage on a green roof is a critical aspect of the system. If the system is not able to drain properly, it can negatively impact the vegetation due to over-saturation of the soil. As the soil takes on excessive amounts of water, it continues to add weight to the roofing structure. This added load has the potential to compromise the structural integrity of the roof. In order to prevent these situations from occurring, the roof drain must allow adequate flow through the drain at all times.

**Performance**

Stainless steel perforated extension allows for optimal flow into the roof drain while simultaneously keeping debris out.

**Ease of Maintenance**

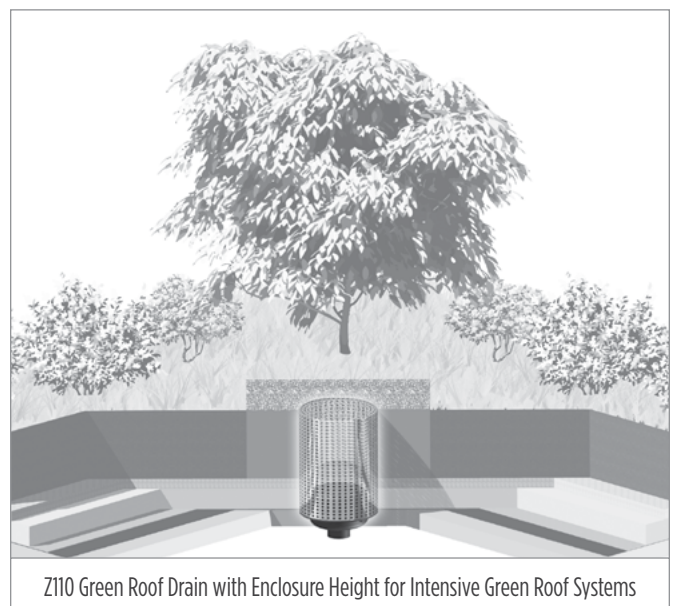
Removable lid allows for easy routine maintenance.

**Versatility**

Customizable enclosures guarantee the roof drain aligns with the green roof surface and offer an aesthetically appealing finish to the roof environment.

**Flexibility**

Simplify the installation process by customizing the order to ship the perforated extension after the drain has been installed







Patented

Ⓢ **Z1072 - ZSHIELD™ FLOOR DRAIN BARRIER TRAP SEAL**

## Discover the paired performance of the ZShield and EZ1™ Technology

The leading drain manufacturer now offers the easiest to install barrier trap, the ZShield minimizes evaporation, preventing odors, gases, and insects from entering up through the drain.

### Features and Benefits

- Universally designed to easily be installed in almost any floor drain
- Designed for new construction and retrofit applications
- ASSE, ICC and IAPMO Approved

### Engineering Specification

ZURN Z1072 Barrier trap seal device for use with floor drains to minimize trap evaporation. Product is comprised of an ABS rigid structure, silicone gasket and seal for 2" [51 mm], 3" [76 mm], 3-1/2" [89 mm], and 4" [102 mm] sizes. Device is engineered to comply with the performance requirements of ASSE 1072 standard and is third party listed with IAPMO (cUPC) and ICC (ICC cES PMG).

### ZShield Approvals

ASSE® Listed 1072-2007, ICC, and IAPMO® Listed

See 161 for ordering information.



**Z1072 ZShield Barrier Trap Seal**  
Available in 2", 3", 3-1/2", 4"

### Complete System Saving Time and Money

Zurn Commercial Drainage takes pride in our effort to always bring the contractor new products that save time and allow for job site flexibility. Pairing the new ZShield for either new construction or retrofit application, allows for easy installation utilizing the neoprene gasket for a secure fit.

### A Name You Can Trust

From the contractor to the building owner, Zurn has always provided products that provide a safe and effective solution. Pair your drain with a ZShield Barrier Trap for that extra security and aesthetics your building requires.



Z415-BZ1



Z415



Z508



EZ



Z505



Z610

# CUSTOMER GUIDE INSTRUCTIONS

Each product section in this catalog is introduced by a cover page showing a representation of products. Additional information varies by product section, but generally consists of the following:

- APPLICATION INDEX** General guide to the characteristics of the products and their design.
- PRODUCT COMPLIANCE** List of standards and approvals that apply.
- PRODUCT DESCRIPTIONS** Each product page contains a product photograph, engineering dimensional drawing, engineering specification, pricing chart, available outlet types and sizes, and the appropriate prefix and suffix options.
- TECHNICAL DATA** General overview of product characteristics, assemblies, and installation data.

# TYPICAL PRODUCT PAGE NAVIGATION

Product Heading

Product Photo

Dimensional Chart

Prefix/Model # -  
Material/Finish/Body Type

Strainer Designation -  
Size/Type

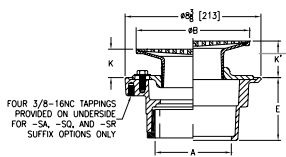
Outlet -  
Size/Type

## Z415 BODY ASSEMBLY WITH HEEL-PROOF "TYPE B" STRAINER



**ENGINEERING SPECIFICATION**  
ZURN ZN415B floor and shower drain. Dura-Coated cast iron body with bottom outlet, combination invertible membrane clamp and adjustable collar with seepage holes, and "TYPE B" polished nickel bronze, light-duty strainer.

**NOTES**  
For other available strainer variations see Z400 Strainer Series. Add price for required strainer to "BODY ONLY" price in chart. Specify type and size required.



Strainer Designation	Dimensions in Inches (mm)							Str. Open Area (Sq. In. [cm <sup>2</sup> ])	App. Wt. Lbs. [Kg]
	A Pipe Size	B Str. Dia.	K		K'				
			Min.	Max.	Min.	Max.			
-5B	2 [51], 3 [76]	5 [127]		1-1/2 [38]	1-3/32 [27]	2-1/4 [57]	6-1/4 [40]	11 [5]	
-6B	2 [51], 3 [76], 4 [102]	6 [152]	1 [25]	1-25/32 [45]	1-13/32 [36]	2-17/32 [64]	9 [58]	13 [6]	
-7B		7 [178]			1-23/32 [44]		12 [77]	14 [6]	
-8B	3 [76], 4 [102]	8 [203]	1-5/32 [29]	2-1/8 [54]	1-3/4 [44]	2-7/8 [73]	19 [122]	16 [7]	
-10B	6 [152]	10 [254]	1-7/16 [37]	2-1/2 [64]	2 [51]	3-1/4 [83]	23 [148]	18 [8]	
								22 [10]	

PREFIXES	DESCRIPTION	STRAINER DESIG.	PIPE SIZE	LIST PRICE
ZN415*	D.C.C.I. Body Assembly with Polished Nickel Bronze Top	-5B	2", 3"	363.00
		-6B	2", 3", 4"	444.00
		-7B	2", 3", 4"	511.00
		-8B	3", 4"	640.00
		-10B	6"	1,050.00
		-10B	6"	1,284.00
ZB415	D.C.C.I. Body Assembly with Polished Bronze Top	-5B	2", 3"	345.00
		-6B	2", 3", 4"	401.00
		-7B	2", 3", 4"	485.00
		-8B	3", 4"	606.00
		-10B	6"	1,016.00
		-10B	6"	1,239.00
Z415	D.C.C.I. Body Assembly ONLY (add "-L/Top" to product sku)	No Strainer	2", 3", 4"	145.00
			6"	555.00

OUTLETS (SPECIFY PIPE SIZE IN INCHES AND TYPE OF OUTLET)				
OUTLET TYPE	PIPE SIZE / OUTLET TYPE	E BODY HT. INH.	ADD	
JC	Inside Caulk	2IC, 3IC, 4IC	4-13/16"	N/C
JG	Inside Gasket	2IG, 3IG, 4IG	4-13/16"	N/C
IP	Threaded	2IP	2-7/16"	59.00
		3IP	2-3/4"	59.00
		4IP	2-13/16"	59.00
		6IP	2-7/8"	59.00
NH	No-Hub	2NH, 3NH, 4NH	3-13/16"	N/C
NL	Neo-Loc	2NL, 3NL, 4NL	3-7/8"	N/C

SUFFIXES	ADD.		
-AA	All Acid Resisting Epoxy	196.00	
-AR	Acid Resisting Epoxy Coated Cast Iron	127.00	
-C	Clamp Collar for -90 Side Outlet	112.00	
-CP	Chrome-Plated Bronze Top	19.00	
-DP	Decorative Polished Top	127.00	
-EF	3/8" Extension Frame	223.00	
-G	Galvanized Cast Iron	148.00	
-HD	Heavy-Duty Slotted Grate (ZN 5" and 6" sizes only)	154.00	
-OF	Oval Funnel - 6" thru 10" Strainers Only (See ZB Z329-7)	273.00	
		ZN	316.00
-P	Trap Primer Connection (Specify 1/2" or 3/4")	N/C	
-PC	Protective Cover	47.00	
-SA	Stabilizer Assembly (See Z1035)	-	
-SQ	Stabilizer Q-deck (See Z1035-Q)	-	
-SR	Stabilizer Ring (See Z400-SR)	-	
-TC	Neo-Loc Test Cap Gasket (2" thru 4" N. Bottom Outlet Only)	17.00	
-U	1"-3" High Extension Adapter (See Z400-U)	D.C. 104.00	
		Galv.	229.00
	For each additional 1" above 3"		73.00
-V	Backwater Valve (Not Available with -Y)	285.00	
-VP	Vandal-Proof Secured Top	42.00	
-W	Winter Closure Plug	273.00	
-Y	Sediment Bucket (Not Available with -V)	81.00	
-4	4" Diameter Funnel	Z 133.00	
		ZB 273.00	
		ZN 316.00	
-18	Leveling Ring (See Z400-18)	-	
-90	90° Threaded Side Outlet Body (2" and 3" Only)	164.00	

\*Regularly furnished unless otherwise specified.  
 Ⓞ This symbol denotes a product that is engineered to reduce installation and rework time.

For Additional Product Information, Please Visit [www.zurn.com](http://www.zurn.com)

INTRO  
 ROOF DRAINS  
 FLOOR DRAINS  
 T, P, BW VALVES  
 INTERCEPTORS  
 CARRIERS  
 HYDRANTS  
 CLEANOUTS  
 WHA  
 SS DRAINS  
 FAB SS DRAINS  
 SANI-FLOOR  
 TECH INFO

INTRO  
 ROOF DRAINS  
 FLOOR DRAINS  
 T, P, BW VALVES  
 INTERCEPTORS  
 CARRIERS  
 HYDRANTS  
 CLEANOUTS  
 WHA  
 SS DRAINS  
 FAB SS DRAINS  
 SANI-FLOOR  
 TECH INFO

Engineering Line Drawing

Section Marker Tab

Suffix - Option List

## ABBREVIATIONS USED IN THIS CUSTOMER GUIDE

<b>A.B.S.</b>	Acronitrile Butadiene Styrene	<b>EXT.</b>	Extension	<b>POL.</b>	Polished
<b>APP.</b>	Approximate	<b>GALV.</b>	Galvanized	<b>P.V.C.</b>	Polyvinylchloride
<b>APPROX.</b>	Approximate	<b>GSKT.</b>	Gasket	<b>RAD.</b>	Radius
<b>A.R.C.</b>	Acid Resisting Epoxy	<b>G.P.M.</b>	Gallons Per Minute	<b>SGL.</b>	Single
<b>A.R.E.</b>	Acid Resisting Enamel	<b>HT.</b>	Height	<b>SQ. IN.</b>	Square Inches
<b>AUX.</b>	Auxiliary	<b>IN.</b>	Inch	<b>S.S.</b>	Stainless Steel
<b>BRZ.</b>	Bronze	<b>LB</b>	Pounds	<b>STL. ST.</b>	Stainless Steel
<b>C.I.</b>	Cast Iron	<b>LG.</b>	Long	<b>STR.</b>	Strainer
<b>C.O.</b>	Cleanout	<b>MED.</b>	Medium	<b>THD.</b>	Threaded
<b>CONN.</b>	Connection	<b>N.A.</b>	Not Applicable	<b>V.P.</b>	Vandal-Proof
<b>D.C.</b>	Dura-Coated	<b>N.B.</b>	Nickel Bronze	<b>W/</b>	With
<b>DIA.</b>	Diameter	<b>N/C</b>	No Charge	<b>WT.</b>	Weight
<b>DIM.</b>	Dimension	<b>P.B.</b>	Polished Bronze	<b>XH</b>	Extra Heavy
<b>DT</b>	Decorative Top	<b>PLN.</b>	Plain		
<b>D.C.C.I.</b>	Dura-Coated Cast Iron	<b>POA</b>	Price on Application		

**NOTE:** Items designated as Best Sellers are most specified and are generally in stock for shipment. Items contained in the legacy configuration addendum are still available to support legacy specification but may be subject to longer lead-times. Call factory for availability or suggested substitution of a recommended best seller.

# NOTES

INTRO

ROOF DRAINS

FLOOR DRAINS

T, P, BW VALVES

INTERCEPTORS

CARRIERS

HYDRANTS

CLEANOUTS

WHA

SS DRAINS

FAB SS DRAINS

SANI-FLOR

TECH INFO

# ROOF DRAINS

ROOF DRAIN - PRODUCT COMPLIANCE	26	<b>Z154</b> 12" SQUARE TOP PROM-DECK DRAIN WITH HEEL-PROOF GRATE AND ROTATABLE FRAME	46
ROOF DRAIN - GENERAL INFORMATION	26	<b>Z158</b> 10" SQUARE TOP PROM-DECK DRAIN WITH HEEL-PROOF GRATE AND ROTATABLE FRAME	47
ROOF DRAIN - APPLICATION INDEX	26	<b>Z160</b> 135° SCUPPER DRAIN	48
<b>Z100</b> 15" DIAMETER MAIN ROOF DRAIN WITH LOW SILHOUETTE DOME	27	<b>Z161</b> 3" X 10" OBLIQUE SCUPPER DRAIN	48
<b>Z101</b> HIGH CAPACITY 20" DIAMETER MAIN ROOF DRAIN WITH LOW SILHOUETTE DOME	28	⌚ <b>Z163</b> 15" DIAMETER COMBINATION MAIN ROOF AND OVERFLOW DRAIN WITH LOW SILHOUETTE DOMES AND DOUBLE TOP-SET® DECK PLATE	49
<b>100C</b> 15" DIAMETER DEEP SUMP DUAL OUTLET ROOF DRAIN - LOW SILHOUETTE DOME	29	⌚ <b>Z164</b> 12" DIAMETER COMBINATION MAIN ROOF AND OVERFLOW DRAIN WITH LOW SILHOUETTE DOMES AND DOUBLE TOP-SET® DECK PLATE	50
⌚ <b>Z103</b> 15" DIAMETER DEEP SUMP DUAL OUTLET ROOF DRAIN WITH LOW SILHOUETTE DOME	30	⌚ <b>Z165</b> 8-3/8" DIAMETER COMBINATION MAIN ROOF AND OVERFLOW DRAIN WITH LOW SILHOUETTE DOMES AND DOUBLE TOP-SET® DECK PLATE	51
⌚ <b>Z103-45</b> 45° 15" DIAMETER DEEP SUMP DUAL OUTLET ROOF DRAIN WITH LOW SILHOUETTE DOME	31	<b>Z180</b> 4-1/2" DIAMETER CORNICE DRAIN WITH BOTTOM OUTLET	51
<b>Z104</b> 15" DIAMETER DEEP SUMP ROOF DRAIN WITH LOW SILHOUETTE DOME	32	<b>Z181</b> 6" DIAMETER CORNICE DRAIN WITH BOTTOM OUTLET	52
<b>Z105</b> CONTROL-FLO™ ROOF DRAIN WITH PARABOLIC WEIR	33	<b>Z182</b> 4-1/2" DIAMETER CORNICE DRAIN WITH 90° OUTLET	52
<b>Z107</b> 20" WIDE DECK FLANGE ROOF DRAIN	34	<b>Z185</b> 6" DIAMETER CORNICE DRAIN WITH 90° OUTLET	53
<b>Z108</b> 15" DIAMETER DECK RECEPTOR DRAIN	35	<b>Z187</b> 6" X 7" OR 8" X 12" OBLIQUE SCUPPER DRAIN	53
<b>Z110</b> 15" GREEN ROOF DRAIN WITH PERFORATED SCREEN ASSEMBLY, AND REMOVABLE COVER WITH LIFT HANDLE	36	<b>Z189</b> 5" X 6" X 11" SCUPPER DRAIN	54
<b>Z110-AI</b> GREEN ROOF DRAIN WITH PERFORATED SCREEN ASSEMBLY, REMOVABLE COVER WITH LIFT HANDLE, AND AUXILIARY INLET	37	<b>Z190</b> VERTICAL EXPANSION JOINT	54
<b>ZF110-R</b> 15" GREEN ROOF BOX - PERFORATED SCREEN ASSEMBLY	38	<b>Z191</b> 5" X 4" X 24" DOWNSPOUT BOOT	55
<b>ZF110-S</b> GREEN ROOF BOX - PERFORATED SCREEN ASSEMBLY, REMOVABLE COVER	39	<b>Z191-RD</b> 4" X 18" DOWNSPOUT BOOT	55
<b>Z111</b> 12" DIAMETER FLAT DECK ROOF DRAIN FOR METAL DECKS	39	<b>Z192</b> 4" X 3" DOWNSPOUT BOOT	56
<b>Z121</b> 12" DIAMETER ROOF DRAIN LOW SILHOUETTE DOME	40	<b>Z193</b> VANDAL-PROOF HOODED VENT CAP	56
<b>Z122</b> 12" DIAMETER DECK RECEPTOR DRAIN	41	<b>Z195</b> VENT STACK FLASHING SLEEVE	57
<b>Z125</b> 8-3/8" DIAMETER ROOF DRAIN LOW SILHOUETTE DOME	42	<b>Z196</b> VENT STACK FLASHING SLEEVE	57
<b>Z127</b> 8-1/2" DIAMETER DECK RECEPTOR DRAIN	43	<b>Z197</b> RISER SLEEVE	58
⌚ <b>Z130</b> 14-9/32" DIAMETER SIPHONIC MAIN ROOF DRAIN	44	<b>Z198</b> PARAPET SCUPPER SLEEVE	58
⌚ <b>Z131</b> 14-9/32" DIAMETER SIPHONIC OVERFLOW ROOF DRAIN	44	<b>Z199</b> DOWNSPOUT NOZZLE	59
<b>Z150</b> 14" SQUARE TOP PROM-DECK DRAIN WITH HEEL-PROOF GRATE AND ROTATABLE FRAME	45	<b>ZF199</b> CHAMELEON DOWNSPOUT NOZZLE WITH FLAPPER	60
		<b>Z199-DC</b> DOWNSPOUT COVER	61
		<b>ZF7000</b> FLOW SENSOR	62

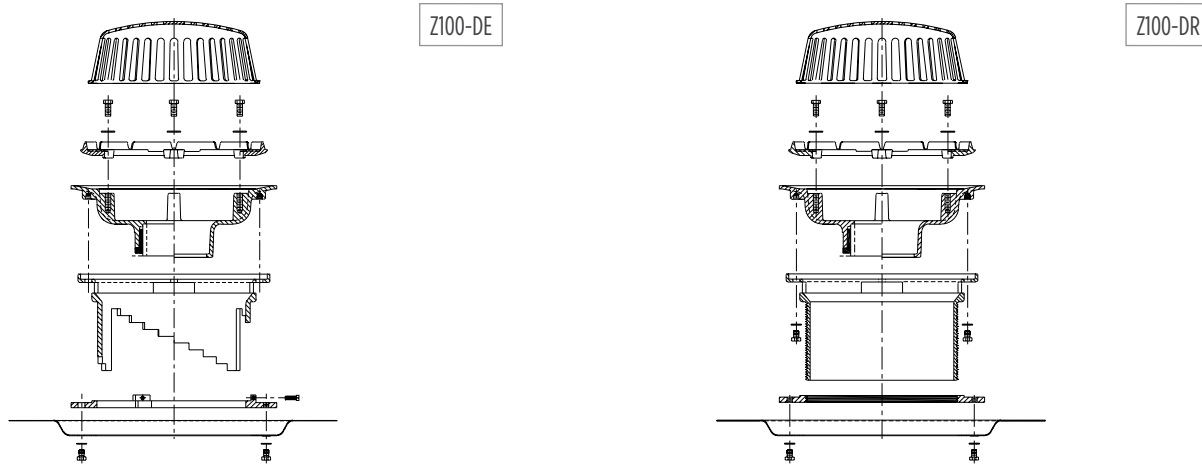
## ROOF DRAIN - PRODUCT COMPLIANCE

Zurn roof drains are constructed of high quality materials and, in general, are designed to meet the requirements of ASME Standard A112.6.4 (revision and redesignation of ANSI A112.21.2M).

For verification of a selected roof drain, contact your local Zurn Sales Representative.

## ROOF DRAIN - GENERAL INFORMATION

Zurn roof drains are comprised of three basic components: a body (sump), a combination membrane flashing clamp/gravel guard, and a dome strainer. Two of Zurn's roof drains are the Z100-DE and Z100-DR, shown below. These illustrate the basic components and options: the adjustable extension -DE (Deck Extension), -DR (Drain Riser), and Top-Set Roof Deck Plate (-DP).



**Note:** Neo-Loc outlets are not recommended for roof drain applications due to the watertight integrity of the Neo-Loc connection to the leader pipe being dependent upon adequate leader pipe support and accurate perpendicularity of leader pipe into Neo-Loc gasket.

## ROOF DRAIN - APPLICATION INDEX

Roof drain selection should be made with a specific type of roof construction in mind. The many types and sizes of drains offered by Zurn, coupled with a wide array of available options, provide you with a roof drain for all applications.

APPLICATION	RECOMMENDED ROOF DRAIN
Main Roof	Z100, Z100-90, Z104, Z105, Z107, Z108
High Capacity	Z101
Water Insulated Main Roof	Z100-AW, Z100-W, Z100-89
Combination Main/Overflow Drain	Z103, Z103-45
Green Roof	Z110, Z110-AI
Medium Area	Z111, Z121, Z121-90, Z122
Inverted Membrane Roof Deck	Z100-85, Z121-85, Z125-85
Overflow	Z108, Z122, Z127, Z163, Z164, Z165
Penthouse and Small Area	Z125, Z125-90, Z127
Promenade and Patio	Z150, Z154, Z158
Parapet Scupper	Z160, Z161, Z187, Z189
Canopy and Terrace	Z180, Z181, Z182, Z185
Expansion Joints	Z190
Downspout Boot	Z191, Z191-RD, Z192
Vent Cap	Z193
Flashing Sleeves and Scupper Sleeves	Z195, Z196, Z197, Z198
Downspout Nozzle	Z199, Z199-DC

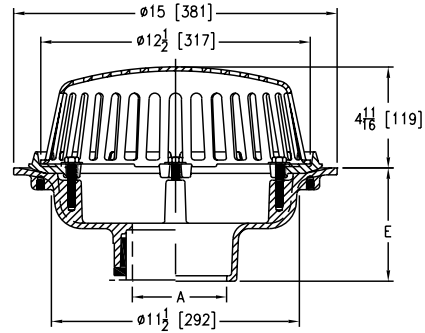
For additional product information, please visit [www.zurn.com](http://www.zurn.com).

# Z100 15" DIAMETER MAIN ROOF DRAIN WITH LOW SILHOUETTE DOME



## ENGINEERING SPECIFICATION

Zurn Z100 15" diameter roof drain features Dura-Coated cast iron body with combination membrane flashing clamp/gravel guard and low silhouette polydome.



A Pipe Size inches [mm]	Dome Open Area sq in [cm <sup>2</sup> ]	Approximate Weight lb [kg]
2 [51], 3 [76], 4 [102]	103 [665]	26 [12]
6 [152]		27 [12]
8 [203]		28 [13]

PREFIXES	DESCRIPTION	PIPE SIZE	LIST PRICE
<b>Z100*</b>	D.C.C.I. Body with Polydome	2", 3", 4"	<b>704.00</b>
		6"	<b>1,009.00</b>
		8"	<b>1,313.00</b>
<b>ZA100</b>	D.C.C.I. Body with Aluminum Dome	2", 3", 4"	<b>951.00</b>
		6"	<b>1,257.00</b>
		8"	<b>1,559.00</b>
<b>ZC100</b>	D.C.C.I. Body with Cast Iron Dome	2", 3", 4"	<b>913.00</b>
		6"	<b>1,218.00</b>
		8"	<b>1,522.00</b>
<b>ZRB100</b>	D.C.C.I. Body with Plain Bronze Dome	2", 3", 4"	<b>1,525.00</b>
		6"	<b>1,830.00</b>
		8"	<b>2,133.00</b>

OUTLETS (SPECIFY PIPE SIZE IN INCHES AND TYPE OF OUTLET)			
OUTLET TYPE	OUTLET DESIGNATION (PIPE SIZE/OUTLET TYPE)	E BODY HT. DIM.	ADD
<b>IC</b>	Inside Caulk 3IC, 4IC, 6IC	5-1/4"	<b>N/C</b>
<b>IP</b>	Threaded 2IP, 3IP, 4IP, 6IP, 8IP	3-3/4"	<b>80.00</b>
<b>NH</b>	No-Hub 2NH, 3NH, 4NH, 6NH, 8NH	5-1/4"	<b>N/C</b>
<b>NL</b>	Neo-Loc (not recommended for roof drains)	2NL, 3NL, 4NL	4-9/16" <b>N/C</b>
		6NL	5-7/16" <b>N/C</b>

BEST SELLERS	LIST PRICE
Z100-3NH	<b>704.00</b>
Z100-3NH-DP	<b>1,140.00</b>
ZC100-3NH-DP	<b>1,349.00</b>
ZC100-3NH-89-DP	<b>1,582.00</b>
Z100-4NH	<b>704.00</b>
Z100-4NH-DP	<b>1,140.00</b>
Z100-4NH-89-DP	<b>1,373.00</b>
ZA100-4NH-DP	<b>1,387.00</b>
ZA100-4NH-DP-EA	<b>2,111.00</b>
ZC100-4NH	<b>913.00</b>
ZC100-4NH-DP	<b>1,349.00</b>
ZC100-4NH-89	<b>1,146.00</b>
ZC100-4NH-89-DP	<b>1,582.00</b>
ZC100-4NH-DP-EA	<b>2,073.00</b>
Z100-6NH	<b>1,009.00</b>
Z100-6NH-DP	<b>1,445.00</b>
ZC100-6NH	<b>1,218.00</b>
ZC100-6NH-DP	<b>1,654.00</b>
ZC100-6NH-89-DP	<b>1,887.00</b>
ZC100-6NH-DP-EA	<b>2,378.00</b>

SUFFIXES	ADD
<b>-AC</b>	Angular Underdeck Clamp <b>489.00</b>
<b>-AR</b>	Acid Resistant Epoxy Coated Finish <b>1,355.00</b>
<b>-AW</b>	3/4" to 4" Adjustable Water Level Regulator (ZC Only) <b>883.00</b>
	For Each Additional 1" above 4" (Specify Height) <b>244.00</b>
<b>-C</b>	Underdeck Clamp <b>244.00</b>
Ⓢ <b>-DE</b>	Deck Extension (Includes Deck Plate -DP) D.C.C.I. <b>966.00</b> Galv. <b>1,461.00</b>
Ⓢ <b>-DP</b>	Top-Set® Roof Deck Plate (Replaces both -C and -R) <b>436.00</b>
Ⓢ <b>-DR</b>	Top-Set Adjustable Drain Riser Extension D.C.C.I. <b>1,215.00</b> Galv. <b>1,556.00</b>
<b>-E</b>	Static Extension 1" thru 4" (Specify Height) D.C.C.I. <b>660.00</b> Galv. <b>995.00</b>
	For E Extensions Greater than 4" - Per Inch (Specify Height) D.C.C.I. <b>158.00</b> Galv. <b>242.00</b>
<b>-EA</b>	Adjustable Extension Assembly 2-1/8" thru 3-1/2" D.C.C.I. <b>724.00</b> Galv. <b>1,073.00</b>
	Ⓢ <b>-EB</b>
<b>-FG</b>	Flush Grate (Replaces Dome Strainer) <b>687.00</b>
<b>-G</b>	Galvanized Cast Iron Z100 <b>957.00</b> ZC100 <b>1,360.00</b>
	<b>-HD</b>
<b>-R</b>	Roof Sump Receiver <b>272.00</b>
<b>-SC</b>	Secondary Clamp Collar <b>185.00</b>
<b>-SS</b>	Stainless Steel Mesh Screen Over Dome <b>502.00</b>
<b>-ST</b>	Dome with Solid Top (ZA and ZC Only) <b>502.00</b>
Ⓢ <b>-TC</b>	Neo-Loc Test Cap Gasket (2", 3", 4" NL Bottom Outlet Only) <b>24.00</b>
<b>-VP</b>	Vandal-Proof Secured Top <b>125.00</b>
<b>-W2</b>	2" Internal Water Dam <b>420.00</b>
<b>-W3</b>	3" Internal Water Dam <b>420.00</b>
<b>-W4</b>	4" Internal Water Dam <b>420.00</b>
<b>-84</b>	Stainless Steel Perforated Gravel Guard 1" thru 4" <b>784.00</b>
	For Each Additional 1" above 4" - Per Inch (Specify Height) <b>79.00</b>
<b>-85</b>	Stainless Steel Perforated Extension 1" thru 4" <b>774.00</b>
	For Each Additional 1" above 4" - Per Inch (Specify Height) <b>79.00</b>
<b>-89</b>	2" High External Water Dam <b>233.00</b>
<b>-90</b>	90° Threaded Side Outlet Body (2", 3", 4", 6") <b>368.00</b>

\*Regularly furnished unless otherwise specified.

Items designated as Best Sellers are most specified and are generally in stock for shipment.

Ⓢ This symbol denotes a product that is engineered to reduce installation and rework time.

For additional product information, please visit [www.zurn.com](http://www.zurn.com).

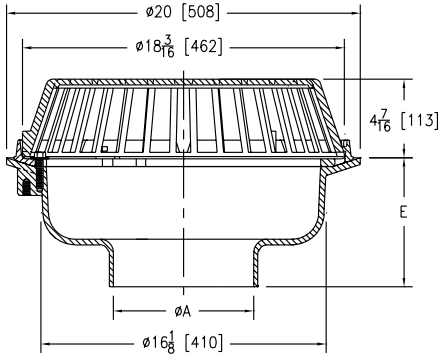
## Z101 HIGH CAPACITY 20" DIAMETER MAIN ROOF DRAIN WITH LOW SILHOUETTE DOME



### ENGINEERING SPECIFICATION

Zurn Z101 20" diameter roof drain features Dura-Coated cast iron body with combination membrane flashing clamp/gravel guard and low silhouette cast iron dome.

A Pipe Size inches [mm]	Dome Open Area sq in [cm <sup>2</sup> ]	Approximate Weight lb [kg]
8 [203]	216 [1394]	77 [35]
10 [254]		78 [35]
12 [305]		79 [36]



PREFIXES	DESCRIPTION	PIPE SIZE	LIST PRICE
Z101*	D.C.C.I. Body with Cast Iron Dome	8"	1,878.00
		10"	2,073.00
		12"	2,221.00

OUTLETS (SPECIFY PIPE SIZE IN INCHES AND TYPE OF OUTLET)				
OUTLET TYPE	OUTLET DESIGNATION (PIPE SIZE/OUTLET TYPE)	E BODY HT. DIM.	ADD	
NH	No-Hub	8NH, 10NH, 12NH	7-5/16"	N/C
SUFFIXES				
ADD				
-AR	Acid Resistant Epoxy Coated Finish			1,868.00
-C	Under Deck Clamp			168.00
⊕ -DP	Top Set® Roof Deck Plate (Replaces both -C and -R)			767.00
-E	Static Extension 1" thru 4" (Specify Height)	D.C.C.I.		990.00
		Galv.		1,496.00
	For E Extensions Greater than 4" - Per Inch (Specify Height)	D.C.C.I.		211.00
		Galv.		324.00
⊕ -EB	Top-Set Adjustable Extension Assembly			899.00
-G	Galvanized Cast Iron			1,423.00
-R	Roof Sump Receiver			272.00
-W2	2" Internal Water Dam			1,069.00
-W3	3" Internal Water Dam			1,069.00
-W4	4" Internal Water Dam			1,069.00
-89	2" High External Water Dam			678.00
BEST SELLERS			LIST PRICE	
Z101-8NH			1,878.00	
Z101-8NH-89			2,556.00	
Z101-10NH			2,073.00	
Z101-10NH-DP			2,840.00	
Z101-10NH-89-DP			3,518.00	
Z101-12NH			2,221.00	
Z101-12NH-W2			3,290.00	

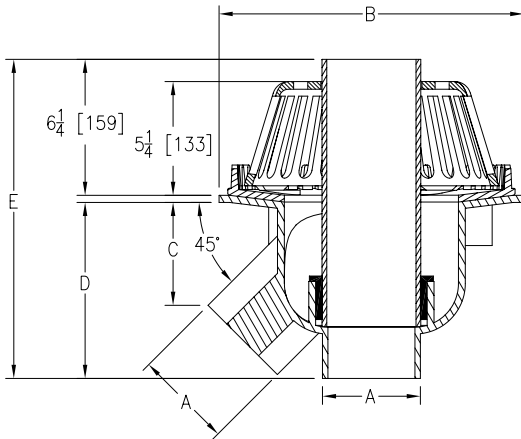


# 100C 15" DIAMETER DEEP SUMP DUAL OUTLET ROOF DRAIN - LOW SILHOUETTE DOME



## ENGINEERING SPECIFICATION

Bi-functional Froet Drain with 45° primary outlet connection. Powder coated cast iron deep sump body with combination membrane flashing clamp/gravel guard, overflow pipe (2", 3", 4", 5", 6", 8" [51mm, 76mm, 102mm, 127mm, 152mm, 203mm]) with standard 5-1/4" [133mm] high cast iron dome and 6-1/4" [159mm] high cast iron overflow.



PREFIXES	DESCRIPTION	PIPE SIZE	LIST PRICE
100C*	Froet 100C Bi- Functional Deep Sump Dual Outlet Roof Drain	2"	878.00
		3"	1,468.00
		4"	1,521.00
		5"	2,536.00
		6"	2,564.00
		8"	6,706.00

SUFFIXES	DESCRIPTION	PIPE SIZE	ADD
-C	Underdeck Clamp		364.00
-CFW	Control Flow Weir		684.00
-DP	Deck Mounting Plate (2-1/4" Elevation)		790.00
-DU	Cast Iron Dome on Overflow Pipe	2"	542.00
		3"	542.00
		4"	542.00
		5"	605.00
		6"	605.00
		8"	-
-E	Static Extensions (2", 4", 6")	2"	730.00
		4"	900.00
		6"	1,148.00

-ER1.5	Elevation Ring (1.5" of Insulation)		188.00
-ER2	Elevation Ring (2" of Insulation)		190.00
-LP	Low Profile Dome		N/C
-R	Roof Sump Reciever		523.00
-ULP	Ultra Low Profile Dome		N/C
-VEP	Vent Pipe		527.00
-84	Stainless Steel Perforated Gravel Guard		1,282.00

BEST SELLERS	LIST PRICE
100C4	1,521.00
100C4LP	1,521.00
100C6LP	2,564.00

Dimensions in inches [mm]					Approximate Weight lb [kg]	Dome Open Area sq in [cm <sup>2</sup> ]
A Pipe Size	B	C	D	E		
2 [51]	10-1/4 [260]	2-13/16 [71]	5 [127]	11-5/8 [295]	21 [6]	48 [310]
3 [76]	14 [356]	4-7/8 [124]	6-7/8 [175]	13-1/2 [343]	47 [21]	90 [581]
4 [102]	14 [356]	4-7/8 [124]	8 [203]	14-5/8 [371]	53 [24]	90 [581]
5 [127]	18 [457]	5-1/2 [140]	10-1/4 [260]	16-7/8 [429]	83 [38]	127 [819]
6 [152]	18 [457]	5-1/2 [140]	11-1/4 [286]	17-7/8 [454]	89 [40]	127 [819]
8 [203]	25 [635]	8-1/4 [210]	13-3/4 [349]	20-3/8 [518]	122 [55]	203 [1310]

\*Regularly furnished unless otherwise specified.

Items designated as Best Sellers are most specified and are generally in stock for shipment.

🕒 This symbol denotes a product that is engineered to reduce installation and rework time.

For additional product information, please visit [www.zurn.com](http://www.zurn.com).

INTRO  
 ROOF DRAINS  
 FLOOR DRAINS  
 T, P, BW VALVES  
 INTERCEPTORS  
 CARRIERS  
 HYDRANTS  
 CLEANOUTS  
 W/HA  
 SS DRAINS  
 FAB SS DRAINS  
 SANI-FLOOR  
 TECH INFO

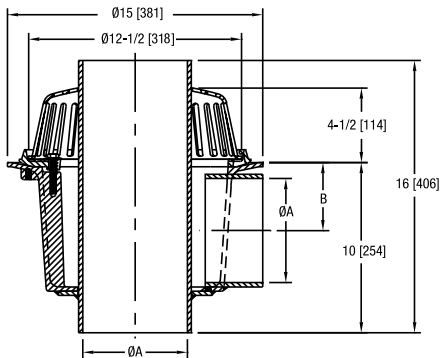
## 🕒 Z103 15" DIAMETER DEEP SUMP DUAL OUTLET ROOF DRAIN WITH LOW SILHOUETTE DOME



### ENGINEERING SPECIFICATION

Zurn Z103 15" diameter dual outlet roof drain with 90° primary outlet connection features Dura-Coated cast iron deep sump body with combination membrane flashing clamp/gravel guard, overflow pipe (3", 4", and 6"), and low silhouette cast iron dome.

A Pipe Size inches [mm]	B inches [mm]	Dome Open Area sq in [cm <sup>2</sup> ]	Approximate Weight lb [kg]
3 [76]	5-9/16 [141]	103 [665]	60 [27]
4 [102]	5-1/16 [129]		
6 [152]	4 [102]		



PREFIXES	DESCRIPTION	PIPE SIZE	LIST PRICE
Z103*	D.C.C.I. Body with Cast Iron Dome	3"	2,900.00
		4"	3,331.00
		6"	3,502.00

OUTLETS (SPECIFY PIPE SIZE IN INCHES AND TYPE OF OUTLET)			
OUTLET TYPE	OUTLET DESIGNATION (PIPE SIZE/OUTLET TYPE)		ADD
NH	No-Hub	3NH, 4NH, 6NH	N/C
SUFFIXES			
ADD			
-AR	Acid Resistant Epoxy Coated Finish		1,355.00
-C	Underdeck Clamp		244.00
🕒 -DP	Top-Set® Roof Deck Plate (Replaces -C)		436.00
-DU	Cast Iron Dome on Overflow Pipe	3" and 4"	1,202.00
		6"	1,832.00
-E	Static Extension 1" thru 4" (Specify Height)	D.C.C.I.	660.00
		Galv.	995.00
		For E Extensions Greater than 4" - Per Inch (Specify Height)	D.C.C.I. 158.00 Galv. 242.00
-G	Galvanized Cast Iron		957.00
-MS	Perforated Screen on Overflow Pipe		373.00
-SS	Stainless Steel Mesh Screen Over Dome		502.00
-VP	Vandal-Proof Secured Top		125.00
-20F	2" High Overflow Pipe		N/C
-45	45° Primary Outlet Connection (See Z103-45)		-
-84	Stainless Steel Perforated Gravel Guard 1" thru 4"		784.00
		For Each Additional 1" above 4" - Per Inch (Specify Height)	79.00
BEST SELLERS			LIST PRICE
Z103-4NH-4			3,331.00
Z103-4NH-4-DP-DU			4,969.00
Z103-6NH-6-DP			3,938.00
Z103-6NH-6-DP-DU-VP			5,895.00

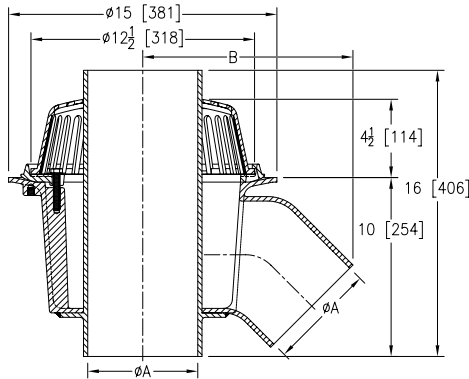
## 🕒 Z103-45 45° 15" DIAMETER DEEP SUMP DUAL OUTLET ROOF DRAIN WITH LOW SILHOUETTE DOME



### ENGINEERING SPECIFICATION

Zurn Z103-45 15" diameter dual outlet roof drain with 45° primary outlet connection features Dura-Coated cast iron deep sump body with combination membrane flashing clamp/gravel guard, overflow pipe (3", 4", and 6"), and low silhouette cast iron dome.

A Pipe Size inches [mm]	B inches [mm]	Dome Open Area sq in [cm <sup>2</sup> ]	Approximate Weight lb [kg]
3 [76]	9-7/16 [240]	103 [665]	60 [27]
4 [102]	10-1/4 [260]		
6 [152]	10-15/16 [278]		



PREFIXES	DESCRIPTION	PIPE SIZE	LIST PRICE
<b>Z103-45*</b>	D.C.C.I. Body with Cast Iron Dome	3"	<b>2,900.00</b>
		4"	<b>3,331.00</b>
		6"	<b>3,502.00</b>

#### OUTLETS (SPECIFY PIPE SIZE IN INCHES AND TYPE OF OUTLET)

OUTLET TYPE	OUTLET DESIGNATION (PIPE SIZE/OUTLET TYPE)	ADD
<b>NH</b>	No-Hub 3NH, 4NH, 6NH	<b>N/C</b>

#### SUFFIXES

SUFFIXES	DESCRIPTION	LIST PRICE	
<b>-AR</b>	Acid Resistant Epoxy Coated Finish	<b>1,355.00</b>	
<b>-C</b>	Underdeck Clamp	<b>244.00</b>	
🕒 <b>-DP</b>	Top-Set® Roof Deck Plate (Replaces -C)	<b>436.00</b>	
<b>-DU</b>	Cast Iron Dome on Overflow Pipe	3" and 4"	<b>1,202.00</b>
		6"	<b>1,832.00</b>
<b>-E</b>	Static Extension 1" thru 4" (Specify Height)	D.C.C.I.	<b>660.00</b>
		Galv.	<b>995.00</b>
		For E Extensions Greater than 4" - Per Inch (Specify Height)	D.C.C.I. <b>158.00</b> Galv. <b>242.00</b>
<b>-G</b>	Galvanized Cast Iron	<b>957.00</b>	
<b>-MS</b>	Perforated Screen on Overflow Pipe	<b>373.00</b>	
<b>-SS</b>	Stainless Steel Mesh Screen Over Dome	<b>502.00</b>	
<b>-VP</b>	Vandal-Proof Secured Top	<b>125.00</b>	
<b>-20F</b>	2" High Overflow Pipe	<b>N/C</b>	
<b>-84</b>	Stainless Steel Perforated Gravel Guard 1" thru 4"	For Each Additional 1" above 4" - Per Inch (Specify Height)	<b>784.00</b> <b>79.00</b>

#### BEST SELLERS

LIST PRICE	
<b>Z103-3NH-3-45-DP</b>	<b>3,336.00</b>
<b>Z103-3NH-3-45-DP-MS</b>	<b>3,709.00</b>
<b>Z103-45-3NH-3</b>	<b>2,900.00</b>
<b>Z103-45-4NH-4</b>	<b>3,331.00</b>
<b>Z103-45-6NH-6-20F-DP</b>	<b>3,938.00</b>
<b>Z103-4NH-4-45</b>	<b>3,331.00</b>
<b>Z103-4NH-4-45-C</b>	<b>3,575.00</b>
<b>Z103-4NH-4-45-C-DU</b>	<b>4,777.00</b>
<b>Z103-4NH-4-45-DP</b>	<b>3,767.00</b>
<b>Z103-4NH-4-45-DP-E1</b>	<b>4,427.00</b>
<b>Z103-6NH-6-20F-45-DP</b>	<b>3,938.00</b>
<b>Z103-6NH-6-45</b>	<b>3,502.00</b>
<b>Z103-6NH-6-45-C-DU</b>	<b>5,578.00</b>
<b>Z103-6NH-6-45-C-E2</b>	<b>4,406.00</b>
<b>Z103-6NH-6-45-DP</b>	<b>3,938.00</b>

\*Regularly furnished unless otherwise specified.

Items designated as Best Sellers are most specified and are generally in stock for shipment.

🕒 This symbol denotes a product that is engineered to reduce installation and rework time.

For additional product information, please visit [www.zurn.com](http://www.zurn.com).

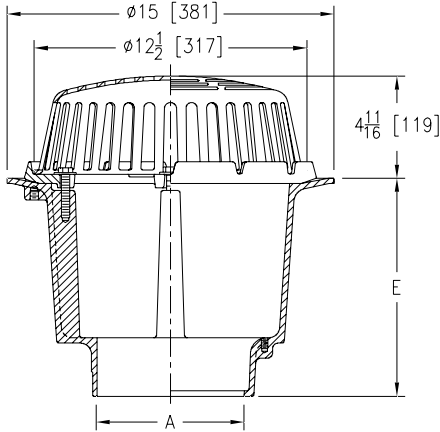
# Z104 15" DIAMETER DEEP SUMP ROOF DRAIN WITH LOW SILHOUETTE DOME



## ENGINEERING SPECIFICATION

Zurn Z104 15" diameter roof drain features Dura-Coated cast iron deep sump body with combination membrane flashing clamp/gravel guard and low silhouette polydome.

A Pipe Size inches [mm]	Dome Open Area sq in [cm <sup>2</sup> ]	Approximate Weight lb [kg]
3 [76], 4 [102]	103 [665]	46 [21]
6 [152], 8 [203]		



PREFIXES	DESCRIPTION	PIPE SIZE	LIST PRICE
<b>Z104*</b>	D.C.C.I. Body with Polydome	3", 4"	2,232.00
		6", 8"	2,561.00
<b>ZA104</b>	D.C.C.I. Body with Aluminum Dome	3", 4"	2,492.00
		6", 8"	2,831.00
<b>ZC104</b>	D.C.C.I. Body with Cast Iron Dome	3", 4"	2,450.00
		6", 8"	2,790.00

OUTLETS (SPECIFY PIPE SIZE IN INCHES AND TYPE OF OUTLET)			
OUTLET TYPE	OUTLET DESIGNATION (PIPE SIZE/OUTLET TYPE)	E BODY HT. DIM.	ADD
<b>NH</b>	No-Hub	3NH, 4NH, 6NH, 8NH	10" N/C
<b>NL</b>	Neo-Loc (not recommended for roof drains)	3NL, 4NL	9-5/16" N/C

SUFFIXES			ADD
<b>-AC</b>	Angular Underdeck Clamp		489.00
<b>-AR</b>	Acid Resistant Epoxy Coated Finish		1,355.00
<b>-AW</b>	Adjustable Water Level Regulator 3/4" thru 4" (ZC Only)		883.00
	For Each Additional 1" above 4" - Per Inch (Specify Height)		242.00
<b>-C</b>	Underdeck Clamp		244.00
<b>-DX</b>	Dex-O-Tex Flange		1,314.00
	Static Extension 1" thru 4" (Specify Height)	D.C.C.I.	660.00
		Galv.	995.00
	For E Extensions Greater than 4" - Per Inch (Specify Height)	D.C.C.I.	158.00
		Galv.	242.00
<b>-EA</b>	Adjustable Extension Assembly 2-1/8" thru 3-1/2"	D.C.C.I.	704.00
		Galv.	1,045.00
<b>-FG</b>	Flush Grate (Replaces Dome Strainer)		687.00
<b>-G</b>	Galvanized Cast Iron	Z	1,351.00
		ZC	1,754.00
<b>-HD</b>	6-3/4" High Aluminum Dome Strainer, 148 sq. in. open area (ZA Only)		248.00
<b>-R</b>	Roof Sump Receiver		272.00
<b>-SC</b>	Secondary Clamping Collar		185.00
<b>-SS</b>	Stainless Steel Mesh Screen Over Dome		502.00
<b>-VP</b>	Vandal-Proof Secured Top		125.00
<b>-W2</b>	2" Internal Water Dam		420.00
<b>-W3</b>	3" Internal Water Dam		420.00
<b>-W4</b>	4" Internal Water Dam		420.00
<b>-84</b>	Stainless Steel Perforated Gravel Guard 1" thru 4"		784.00
	For Each Additional 1" above 4" - Per Inch (Specify Height)		79.00
<b>-85</b>	Stainless Steel Perforated Extension 1" thru 4"		784.00
	For Each Additional 1" above 4" - Per Inch (Specify Height)		79.00
<b>-89</b>	2" High External Water Dam		233.00

For additional product information, please visit [www.zurn.com](http://www.zurn.com).

\*Regularly furnished unless otherwise specified.

Items designated as Best Sellers are most specified and are generally in stock for shipment.

⌚ This symbol denotes a product that is engineered to reduce installation and rework time.

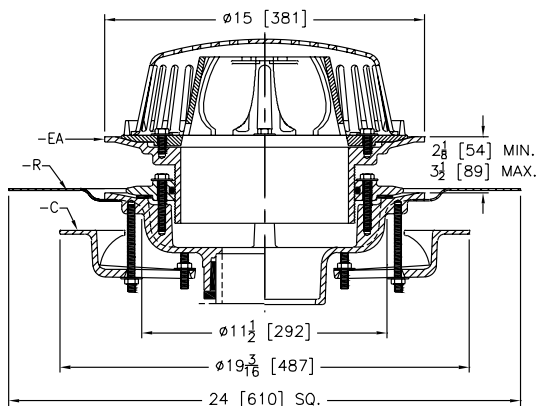
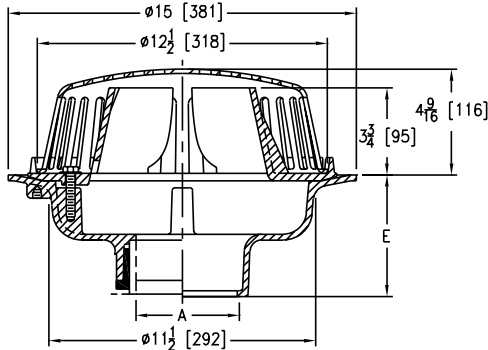
# Z105 CONTROL-FLO™ ROOF DRAIN WITH PARABOLIC WEIR



## ENGINEERING SPECIFICATION

Zurn Z105 15" diameter Control-Flo roof drain for dead-level roof construction features Dura-Coated cast iron body. Control-Flo weir shall be linear functioning with integral membrane flashing clamp/gravel guard and polydome. All data shall be verified proportional to flow rates. Each notch will allow 10 GPM flow per inch of rain water buildup above the drain.

A Pipe Size inches [mm]	Dome Open Area sq in [cm <sup>2</sup> ]	Approximate Weight lb [kg]
2 [51], 3 [76], 4 [102]	103 [665]	34 [15]



Shown with -C-EA-R Options

**ZURN Z105-C-EA-R** Control-Flo Roof Drain for dead-level roof construction. Drain is as specified above, with Dura-Coated steel roof sump receiver (-R), Dura-Coated cast iron underdeck clamp (-C), and Dura-Coated cast iron adjustable extension and clamp ring with neoprene O-Ring seal (-EA).

PREFIXES	DESCRIPTION	PIPE SIZE	LIST PRICE
Z105*	D.C.C.I. Body with Polydome	2", 3", 4"	1,929.00
ZA105	D.C.C.I. Body with Aluminum Dome	2", 3", 4"	2,174.00
ZC105	D.C.C.I. Body with Cast Iron Dome	2", 3", 4"	2,144.00

OUTLETS (SPECIFY PIPE SIZE IN INCHES AND TYPE OF OUTLET)			
OUTLET TYPE	OUTLET DESIGNATION (PIPE SIZE/OUTLET TYPE)	E BODY HT. DIM.	ADD
IC	Inside Caulk	3IC, 4IC	5-1/4" N/C
NH	No-Hub	2NH, 3NH, 4NH	5-1/4" N/C
NL	Neo-Loc (not recommended for roof drains)	2NL, 3NL, 4NL	4-9/16" N/C

SUFFIXES		ADD
-C	Underdeck Clamp	244.00
Ⓢ -DP	Top-Set® Roof Deck Plate (Replaces both -C and -R)	436.00
-E	Static Extension 1" thru 4" (Specify Height)	D.C.C.I. 660.00 Galv. 995.00
	For E Extensions Greater than 4" - Per Inch (Specify Height)	D.C.C.I. 158.00 Galv. 242.00
-EA	Adjustable Extension Assembly 2-1/8" thru 3-1/2"	D.C.C.I. 744.00 Galv. 1,073.00
-G	Galvanized Cast Iron	889.00
-R	Roof Sump Receiver	272.00
Ⓢ -TC	Neo-Loc Test Cap Gasket (2" thru 4" NL Bottom Outlet Only)	24.00
-VP	Vandal-Proof Secured Top	125.00
-10	6" High Parabolic Weir for Sloped Roof (ZC or ZA)	N/C

BEST SELLERS	LIST PRICE
Z105-3NH	1,929.00
ZC105-3NH	2,144.00
ZC105-4NH-DP	2,580.00

\*Regularly furnished unless otherwise specified.

Items designated as Best Sellers are most specified and are generally in stock for shipment.

Ⓢ This symbol denotes a product that is engineered to reduce installation and rework time.

For additional product information, please visit [www.zurn.com](http://www.zurn.com).

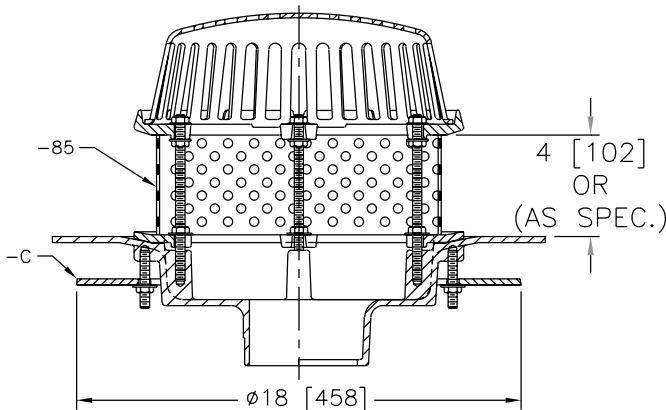
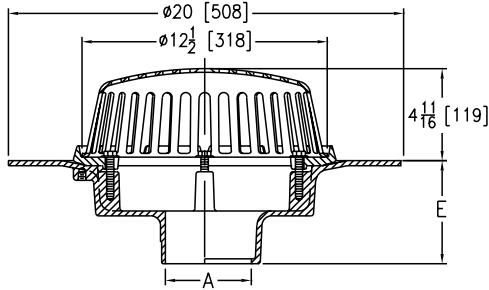
# Z107 20" WIDE DECK FLANGE ROOF DRAIN



## ENGINEERING SPECIFICATION

Zurn Z107 20" diameter wide deck flange roof drain features Dura-Coated cast iron body with combination membrane flashing clamp/gravel guard and low silhouette polydome.

A Pipe Size inches [mm]	Dome Open Area sq in [cm <sup>2</sup> ]	Approximate Weight lb [kg]
3 [76], 4 [102]	103 [665]	39 [18]
6 [152], 8 [203]		



Shown with -C-85 Options

**ZURN Z107-C-85** 20" diameter Wide Deck Flange Roof Drain, as specified above, with perforated extension with flat clamp collar (-85), and Dura-Coated cast iron underdeck clamp (-C).

PREFIXES	DESCRIPTION	PIPE SIZE	LIST PRICE
<b>Z107*</b>	D.C.C.I. Body with Polydome	3", 4"	2,023.00
		6", 8"	2,324.00
<b>ZA107</b>	D.C.C.I. Body with Aluminum Dome	3", 4"	2,265.00
		6", 8"	2,567.00
<b>ZC107</b>	D.C.C.I. Body with Cast Iron Dome	3", 4"	2,222.00
		6", 8"	2,529.00

OUTLETS (SPECIFY PIPE SIZE IN INCHES AND TYPE OF OUTLET)			
OUTLET TYPE	OUTLET DESIGNATION (PIPE SIZE/OUTLET TYPE)	E BODY HT. DIM.	ADD
<b>IC</b>	Inside Caulk	3IC, 4IC, 6IC	5-1/4" N/C
<b>IP</b>	Threaded	3IP, 4IP	5-1/4" 80.00
<b>NH</b>	No-Hub	3NH, 4NH, 6NH, 8NH	5-1/4" N/C

SUFFIXES			ADD
<b>-AC</b>	Angular Underdeck Clamp		489.00
<b>-AR</b>	Acid Resistant Epoxy Coated Finish		1,355.00
<b>-AW</b>	Adjustable Water Level Regulator 3/4" thru 4" (ZC Only)		883.00
	For Each Additional 1" above 4" - Per Inch (Specify Height)		242.00
<b>-C</b>	Underdeck Clamp		244.00
<b>-E</b>	Static Extension 1" thru 4" (Specify Height)	D.C.C.I.	660.00
		Galv.	995.00
<b>-EA</b>	For E Extensions Greater than 4" - Per Inch (Specify Height)	D.C.C.I.	158.00
		Galv.	242.00
<b>-EA</b>	Adjustable Extension Assembly 2-1/8" thru 3-1/2"	D.C.C.I.	704.00
		Galv.	1,045.00
<b>-FG</b>	Flush Grate (Replaces Dome Strainer)		687.00
<b>-G</b>	Galvanized Cast Iron		957.00
<b>-SS</b>	Stainless Steel Mesh Screen Over Dome		502.00
<b>-VP</b>	Vandal-Proof Secured Top		125.00
<b>-W2</b>	2" Internal Water Dam		420.00
<b>-W3</b>	3" Internal Water Dam		420.00
<b>-W4</b>	4" Internal Water Dam		420.00
<b>-84</b>	Stainless Steel Perforated Gravel Guard 1" thru 4"		784.00
	For Each Additional 1" above 4" - Per Inch (Specify Height)		79.00
<b>-85</b>	Stainless Steel Perforated Extension 1" thru 4"		784.00
	For Each Additional 1" above 4" - Per Inch (Specify Height)		79.00
<b>-89</b>	2" High External Water Dam		233.00

BEST SELLERS		LIST PRICE
Z107-3NH		2,023.00
Z107-3NH-FG		2,710.00

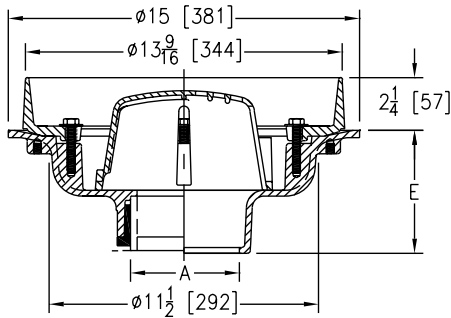
# Z108 15" DIAMETER DECK RECEPTOR DRAIN



## ENGINEERING SPECIFICATION

Zurn Z108 15" diameter roof drain features Dura-Coated cast iron body with combination membrane flashing clamp, deck receptor frame, and internal bottom dome strainer.

A Pipe Size inches [mm]	Dome Open Area sq in [cm <sup>2</sup> ]	Approximate Weight lb [kg]
2 [51], 3 [76], 4 [102]	53 [342]	41 [19]
6 [152]		39 [18]
8 [203]		42 [19]



PREFIXES	DESCRIPTION	PIPE SIZE	LIST PRICE
<b>Z108*</b>	D.C.C.I. Body with Collar	2", 3", 4"	<b>937.00</b>
		6"	<b>1,254.00</b>
		8"	<b>1,542.00</b>

OUTLETS (SPECIFY PIPE SIZE IN INCHES AND TYPE OF OUTLET)			
OUTLET TYPE	OUTLET DESIGNATION (PIPE SIZE/OUTLET TYPE)	E BODY HT. DIM.	ADD
<b>IC</b>	Inside Caulk 3IC, 4IC, 6IC	5-1/4"	<b>N/C</b>
<b>IP</b>	Threaded 2IP, 3IP, 4IP, 6IP, 8IP	3-3/4"	<b>80.00</b>
<b>NH</b>	No-Hub 2NH, 3NH, 4NH, 6NH, 8NH	5-1/4"	<b>N/C</b>
<b>NL</b>	Neo-Loc (not recommended for roof drains)	4-9/16"	<b>N/C</b>

SUFFIXES		ADD
<b>-AR</b>	Acid Resistant Epoxy Coated Finish	<b>1,355.00</b>
<b>-C</b>	Underdeck Clamp	<b>244.00</b>
ⓐ <b>-DE</b>	Deck Extension	D.C.C.I. <b>703.00</b>
		Galv. <b>1,044.00</b>
ⓐ <b>-DP</b>	Top-Set® Roof Deck Plate (Replaces Both -C and -R)	<b>436.00</b>
<b>-E</b>	Static Extension 1" thru 4" (Specify Height)	D.C.C.I. <b>660.00</b>
		Galv. <b>995.00</b>
		For E Extensions Greater than 4" - Per Inch (Specify Height) D.C.C.I. <b>158.00</b>
<b>-EA</b>	Adjustable Extension Assembly 2-1/8" thru 3-1/2"	Galv. <b>744.00</b>
<b>-EA</b>	Adjustable Extension Assembly 2-1/8" thru 3-1/2"	Galv. <b>1,063.00</b>
<b>-FG</b>	Flush Grate (Replaces Dome Strainer)	<b>824.00</b>
<b>-G</b>	Galvanized Cast Iron	<b>889.00</b>
<b>-HD</b>	6-3/4" High Aluminum Dome Strainer (61 Sq. In. Open Area)	<b>N/C</b>
<b>-R</b>	Roof Sump Receiver	<b>272.00</b>
ⓐ <b>-TC</b>	Neo-Loc Test Cap Gasket (2", 3", 4" NL Bottom Outlet Only)	<b>24.00</b>

BEST SELLER	LIST PRICE
Z108-3NH	<b>740.00</b>

\*Regularly furnished unless otherwise specified.

Items designated as Best Sellers are most specified and are generally in stock for shipment.

ⓐ This symbol denotes a product that is engineered to reduce installation and rework time.

For additional product information, please visit [www.zurn.com](http://www.zurn.com).

INTRO ROOF DRAINS FLOOR DRAINS T, P, BW VALVES INTERCEPTORS CARRIERS HYDRANTS CLEANOUTS W/HA SS DRAINS FAB SS DRAINS SANI-FLOOR TECH INFO

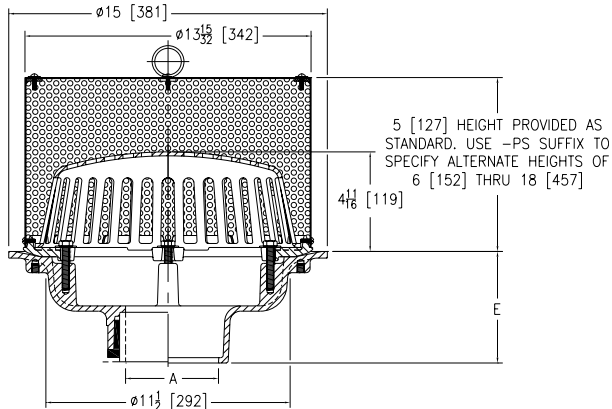
# Z110 15" GREEN ROOF DRAIN WITH PERFORATED SCREEN ASSEMBLY, AND REMOVABLE COVER WITH LIFT HANDLE



## ENGINEERING SPECIFICATION

Zurn Z110 15" green roof drain features Dura-Coated cast iron body with combination membrane flashing clamp/gravel guard and low silhouette polydome. Complete with secured Type 304 (CF8) stainless steel, perforated screen assembly with secured, removable access cover with lift handle.

A Pipe Size inches [mm]	Dome Open Area sq in [cm <sup>2</sup> ]	Approximate Weight lb [kg]
2 [51], 3 [76], 4 [102]	103 [665]	30 [14]
6 [152]		32 [15]
8 [203]		33 [15]



PREFIXES	DESCRIPTION	PIPE SIZE	LIST PRICE
Z110*	D.C.C.I. Body with Polydome	2", 3", 4", 6", 8"	POA
ZA110	D.C.C.I. Body with Aluminum Dome	2", 3", 4", 6", 8"	POA
ZC110	D.C.C.I. Body with Cast Iron Dome	2", 3", 4", 6", 8"	POA

OUTLETS (SPECIFY PIPE SIZE IN INCHES AND TYPE OF OUTLET)				
OUTLET TYPE		OUTLET DESIGNATION (PIPE SIZE/OUTLET TYPE)	E BODY HT. DIM.	ADD
IC	Inside Caulk	3IC, 4IC, 6IC	5-1/4"	N/C
IP	Threaded	3IP, 4IP, 6IP, 8IP	3-3/4"	80.00
NH	No-Hub	2NH, 3NH, 4NH, 6NH, 8NH	5-1/4"	N/C
NL	Neo-Loc (not recommended for roof drains)	2NL, 3NL, 4NL	4-9/16"	N/C
		6NL	5-7/16"	N/C

SUFFIXES				ADD
-AC	Angular Underdeck Clamp			489.00
-AR	Acid Resistant Epoxy Coated Finish			1,355.00
-C	Underdeck Clamp			244.00
Ⓢ -DE	Deck Extension (Includes Deck Plate -DP)	D.C.C.I.		966.00
		Galv.		1,461.00
Ⓢ -DP	Top-Set® Roof Deck Plate (Replaces Both the -C and -R)			436.00
-E	Static Extension 1" thru 4" (Specify Height)	D.C.C.I.		660.00
		Galv.		995.00
	For E Extensions Greater than 4" - Per Inch (Specify Height)	D.C.C.I.		158.00
		Galv.		242.00
-EA	Adjustable Extension Assembly 2-1/8" thru 3-1/2"	D.C.C.I.		724.00
		Galv.		1,073.00
Ⓢ -EB	Top-Set Adjustable Extension Assembly			660.00
-G	Galvanized Cast Iron	Z110		957.00
		ZC110		1,360.00
-PS	Perforated Screen 6" thru 18" (Specify Height)			POA
-R	Roof Sump Receiver			272.00
-ST	Dome with Solid Top (ZA and ZC Only)			520.00
Ⓢ -TC	Neo-Loc Test Cap Gasket (2", 3", 4" NL Bottom Outlet Only)			24.00
-VP	Vandal-Proof Secured Screen Cover			125.00
-W2	2" Internal Water Dam			420.00
-W3	3" Internal Water Dam			420.00
-W4	4" Internal Water Dam			420.00
-85	Stainless Steel Perforated Extension 1" thru 4"			774.00
	For Each Additional 1" above 4" - Per Inch (Specify Height)			79.00

BEST SELLERS		LIST PRICE
Z110-2NH-PS=5		POA
Z110-3NH-PS=5		POA
Z110-3NL-PS=5		POA
Z110-4NH-PS=5		POA
Z110-4NL-PS=5		POA
Z110-6NH-PS=5		POA
Z110-6NL-PS=5		POA
Z110-6NL-PS=5		POA



# Z110-AI GREEN ROOF DRAIN WITH PERFORATED SCREEN ASSEMBLY, REMOVABLE COVER WITH LIFT HANDLE, AND AUXILIARY INLET



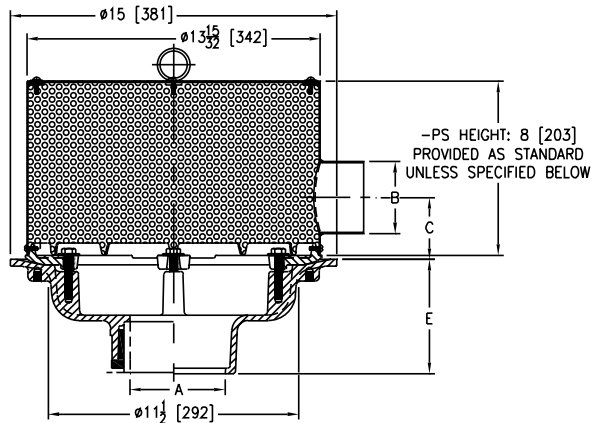
## ENGINEERING SPECIFICATION

Zurn Z110-AI green roof drain features Dura-Coated cast iron body with combination membrane flashing and clamp/gravel guard. Complete with secured Type 304 (CF8) stainless steel, perforated screen assembly with secured, removable access cover with lift handle and auxiliary no-hub inlet connection.

## NOTES

Auxiliary inlet sizes are only available as configured below. Auxiliary inlet size 'B' cannot exceed pipe size 'A'.

Dimensions in inches [mm]			Approximate Weight lb [kg]
A	B	C	
2 [51]	2 [51]	2-11/32 [60]	32 [15]
3 [76]	2 [51]	2-11/32 [60]	33 [15]
	3 [76]	2-27/32 [72]	
4 [102], 6 [152], 8 [203]	2 [51]	2-11/32 [60]	34 [15]
	3 [76]	2-27/32 [72]	
	4 [102]	3-3/8 [86]	



PREFIXES	DESCRIPTION	A PIPE SIZE	B AUX. INLET	LIST PRICE
<b>Z110</b>	D.C.C.I. with Type 304 Perforated Stainless Steel Screen Assembly	2"	2"	<b>Combine with Product Designation for Pricing</b>
		3"	2", 3"	
		4", 6", 8"	2", 3", 4"	

PRODUCT DESIGNATION	B AUX. INLET	C DIM.	LIST PRICE	
<b>-2AI</b>	2" Auxiliary Inlet	2"	2-11/32"	POA
<b>-3AI</b>	3" Auxiliary Inlet	3"	2-27/32"	POA
<b>-4AI</b>	4" Auxiliary Inlet	4"	3-3/8"	POA

OUTLETS (SPECIFY PIPE SIZE IN INCHES AND TYPE OF OUTLET)				
OUTLET TYPE	OUTLET DESIGNATION (PIPE SIZE/OUTLET TYPE)	E BODY HT. DIM.	ADD	
<b>IC</b>	Inside Caulk	3IC, 4IC, 6IC	5-1/4"	N/C
<b>IP</b>	Threaded	2IP, 3IP, 4IP, 6IP, 8IP	3-3/4"	80.00
<b>NH</b>	No-Hub	2NH, 3NH, 4NH, 6NH, 8NH	5-1/4"	N/C
<b>NL</b>	Neo-Loc (not recommended for roof drains)	2NL, 3NL, 4NL	4-9/16"	N/C
		6NL	5-7/16"	N/C

SUFFIXES	ADD	
<b>-AC</b>	Angular Underdeck Clamp	489.00
<b>-AR</b>	Acid Resistant Epoxy Coated Finish	1,355.00
<b>-C</b>	Underdeck Clamp	244.00
⌚ <b>-DE</b>	Deck Extension (Includes Deck Plate -DP)	D.C.C.I. 966.00 Galv. 1,461.00
⌚ <b>-DP</b>	Top-Set® Roof Deck Plate (Replaces both the -C and -R)	436.00
⌚ <b>-DR</b>	Top-Set Drain Riser	D.C.C.I. 1,215.00 Galv. 1,556.00
<b>-E</b>	Static Extension 1" thru 4" (Specify Height)	D.C.C.I. 660.00 Galv. 995.00
	For E Extensions Greater than 4" - Per Inch (Specify Height)	D.C.C.I. 158.00 Galv. 242.00
<b>-EA</b>	Adjustable Extension Assembly 2-1/8" thru 3-1/2"	D.C.C.I. 724.00 Galv. 1,073.00
⌚ <b>-EB</b>	Top-Set Adjustable Extension Assembly	660.00
<b>-G</b>	Galvanized Cast Iron	957.00
<b>-PS</b>	Perforated Screen 9" thru 18" (Specify Height)	POA
<b>-R</b>	Roof Sump Receiver	272.00
⌚ <b>-TC</b>	Neo-Loc Test Cap Gasket (2", 3", 4" NL Bottom Outlet Only)	24.00
<b>-VP</b>	Vandal-Proof Secured Screen Cover	125.00

\*Regularly furnished unless otherwise specified.

Items designated as Best Sellers are most specified and are generally in stock for shipment.

⌚ This symbol denotes a product that is engineered to reduce installation and rework time.

For additional product information, please visit [www.zurn.com](http://www.zurn.com).

INTRO ROOF DRAINS FLOOR DRAINS T, P, BW VALVES INTERCEPTORS CARRIERS HYDRANTS CLEANOUTS W/HA SS DRAINS FAB SS DRAINS SAN-FLOOR TECH INFO

## ZF110-R 15" GREEN ROOF BOX - PERFORATED SCREEN ASSEMBLY

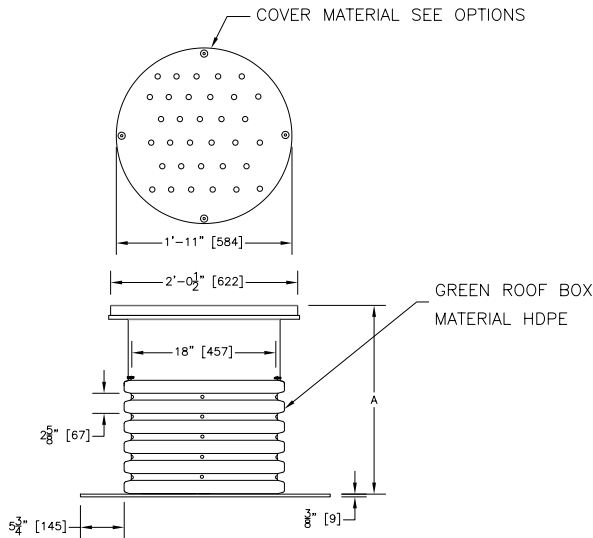


### ENGINEERING SPECIFICATION

Zurn green roof drain box. HDPE Adjustable deep sump box for green roof applications. Box can be field cut for additional installation heights.

### NOTE

The HDPE Adjustable Green Roof Box will accommodate all Zurn 100C Froet Drains except for the 100C8.



PREFIXES	DESCRIPTION	SIZE	A' BODY HT. DIM.	LIST PRICE
<b>ZF110-R</b>	HDPE Adjustable Round Green Roof Box*	R1	14"	<b>2,478.00</b>
		R2	24"	<b>2,770.00</b>
		R3	36"	<b>3,063.00</b>
		R4	48"	<b>3,356.00</b>
SUFFIXES				ADD
-DW	Double Wall Corrugated			POA
-LP1	HDPE Perforated Lid			<b>1,442.00</b>
-LP2	2000 lb Load Composite Lid Perforated			<b>1,275.00</b>
-LS1	HDPE Solid Lid			<b>2,340.00</b>
-LS2	2000 lb Load Composite Lid Solid			<b>2,020.00</b>
-RB	S/S Recessed Barrier			POA

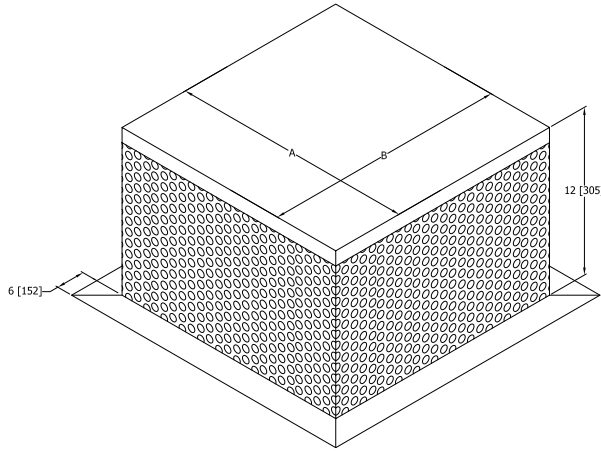
Product Size	Product Description	A inches [mm]	Product Weight lb [kg]
ZF110-R1	Adjustable Round HDPE	14 [356]	26 [12]
ZF110-R2	Adjustable Round HDPE	24 [610]	34 [15]
ZF110-R3	Adjustable Round HDPE	36 [914]	41 [19]
ZF110-R4	Adjustable Round HDPE	48 [1219]	49 [22]

## ZF110-S GREEN ROOF BOX - PERFORATED SCREEN ASSEMBLY, REMOVABLE COVER



### ENGINEERING SPECIFICATION

Zurn green roof drain box comes standard with solid stainless steel top and stainless steel non-adjustable square sump box with vertical perforated sides to allow for proper drainage in green roof applications.



PREFIXES	DESCRIPTION	SIZE	A' DIM. SQ.	LIST PRICE
ZF110-S	Fabricated Type 304 Stainless Steel Green Roof Box*	3/4	16"	7,492.00
		5/6	20"	8,325.00
		8	28"	10,000.00
SUFFIXES				ADD
-GTA	Light Duty Heel-Proof Grate Aluminum	3/4		1,159.00
		5/6		1,092.00
		8		2,917.00
-GTS	Light Duty Heel-Proof Grate Stainless			POA
-H2	Double Height 24" [610mm]			POA
-H3	Triple Height 36" [914mm]			POA

Part Number	A inches [mm]	B inches [mm]	Product Weight lb [kg]
ZF110-S 3/4	16 [406]	16 [406]	18 [8]
ZF110-S 5/6	20 [508]	20 [508]	27 [12]
ZF110-S 8	28 [711]	28 [711]	39 [18]

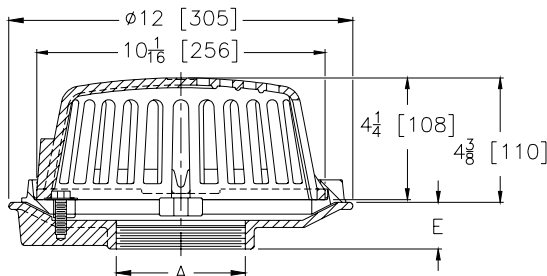
## Z111 12" DIAMETER FLAT DECK ROOF DRAIN FOR METAL DECKS



### ENGINEERING SPECIFICATION

Zurn Z111 12" diameter flat deck roof drain for metal decks features Dura-Coated cast iron body with combination membrane flashing clamp/ gravel guard and low silhouette cast iron dome.

A Pipe Size inches [mm]	Dome Open Area sq in [cm <sup>2</sup> ]	Approximate Weight lb [kg]
3 [76], 4 [102]	78 [503]	22 [10]
6 [152]		24 [11]



PREFIXES	DESCRIPTION	PIPE SIZE	LIST PRICE
Z111*	D.C.I. Body with 4-1/4" Dome	3", 4"	857.00
		6"	1,489.00
OUTLETS (SPECIFY PIPE SIZE IN INCHES AND TYPE OF OUTLET)			
OUTLET TYPE	OUTLET DESIGNATION (PIPE SIZE/OUTLET TYPE)	E BODY HT. DIM.	ADD
IP	Threaded	3IP, 4IP	1-5/8"
		6IP	1-7/8"
SUFFIXES			
ADD			
-C	Underdeck Clamp		150.00
-FG	Flush Grate (Z only)		345.00
-G	Galvanized Cast Iron		393.00
-R	Roof Sump Receiver		257.00
-SS	Stainless Mesh Screen Over Dome		466.00
-VP	Vandal-Proof Secured Top		116.00

SEE LEGACY ADDENDUM ON PAGE 369 FOR MORE INFORMATION

\*Regularly furnished unless otherwise specified.

Items designated as Best Sellers are most specified and are generally in stock for shipment.

⌚ This symbol denotes a product that is engineered to reduce installation and rework time.

For additional product information, please visit [www.zurn.com](http://www.zurn.com).

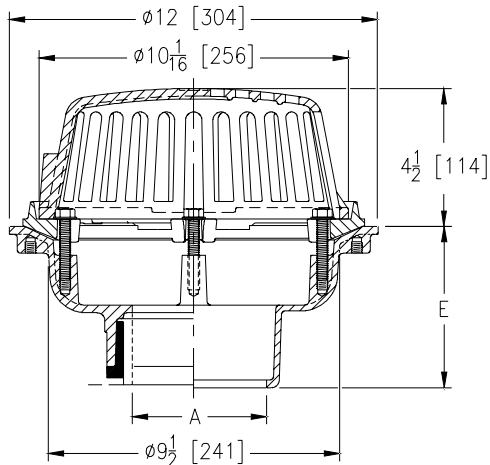
## Z121 12" DIAMETER ROOF DRAIN LOW SILHOUETTE DOME



### ENGINEERING SPECIFICATION

Zurn Z121 12" diameter roof drain features Dura-Coated Cast Iron body with combination membrane flashing clamp/gravel guard and low silhouette polydome.

A Pipe Size inches [mm]	Dome Open Area sq in [cm <sup>2</sup> ]	Approximate Weight lb [kg]
2 [51], 3 [76], 4 [102], 6 [152]	78 [503]	22 [10]



PREFIXES	DESCRIPTION	PIPE SIZE	LIST PRICE
Z121*	D.C.C.I. Body with 4-1/4" Polydome	2", 3", 4", 6"	626.00
ZA121	D.C.C.I. Body with 6-9/16" Aluminum Dome	2", 3", 4", 6"	803.00
ZC121	D.C.C.I. Body with Low-Silhouette Cast Iron Dome	2", 3", 4", 6"	783.00

OUTLETS (SPECIFY PIPE SIZE IN INCHES AND TYPE OF OUTLET)				
OUTLET TYPE		OUTLET DESIGNATION (PIPE SIZE/OUTLET TYPE)	E BODY HT. DIM.	ADD
IC	Inside Caulk	2IC, 3IC, 4IC, 6IC	5-1/4"	N/C
IP	Threaded	2IP, 3IP, 4IP, 6IP	3-3/4"	80.00
NH	No-Hub	2NH, 3NH, 4NH, 6NH	5-1/4"	N/C
NL	Neo-Loc (not recommended for roof drains)	2NL, 3NL, 4NL	4-5/8"	N/C

SUFFIXES		ADD
-AR	Acid Resistant Epoxy Coated Finish	1,017.00
-C	Underdeck Clamp	150.00
-DB	Deep Sump Body (IC Only)	446.00
Ⓢ -DP	Top-Set® Roof Deck Plate (Replaces both -C and -R)	339.00
-E	Static Extension 1" thru 4"	D.C.C.I. 344.00 Galv. 654.00
	For Each Additional 1" above 4" - Per Inch (Specify Height)	D.C.C.I. 173.00 Galv. 326.00
Ⓢ -EB	Top-Set Adjustable Extension Assembly	503.00
-FG	Flush Grate	345.00
-G	Galvanized Cast Iron	393.00
-R	Roof Sump Receiver	257.00
-SC	Secondary Clamping Collar	184.00
-SS	Stainless Steel Mesh Screen Over Dome	466.00
Ⓢ -TC	Neo-Loc Test Cap Gasket (2", 3", 4" NL Bottom Outlet Only)	24.00
-VP	Vandal-Proof Secured Top	116.00
-XJ	Vertical Expansion Joint (See Z190) (Use with IP Outlets Only)	-
-84	Stainless Steel Perforated Gravel Guard 1" thru 4"	626.00
	For Each Additional 1" above 4" - Per Inch (Specify Height)	72.00
-85	Stainless Steel Perforated Extension 1" thru 4"	626.00
	For Each Additional 1" above 4" - Per Inch (Specify Height)	72.00
-89	2" High External Water Dam	194.00
-90	90° Threaded Side Outlet Body - 2", 3", 4"	158.00

BEST SELLERS	LIST PRICE
Z121-3NH	626.00
Z121-3NH-89	820.00
Z121-3IP-90	864.00
Z121-3NH-DP	965.00
Z121-3NH-SS	1,092.00
ZC121-3NH	783.00
Z121-3NL-FG	971.00
Z121-4NH	626.00
ZC121-4NH	783.00
Z121-4NH-89	820.00
Z121-4NH-89-DP	1,159.00
Z121-4NH-C	776.00
Z121-4NH-DP	965.00
Z121-4NL-89-R	1,077.00
Z121-4NL-R	883.00
ZA121-4NH	803.00
Z121-6NH	626.00
Z121-6NH-89	820.00
Z121-6NH-DP	965.00
ZC121-6NH	783.00

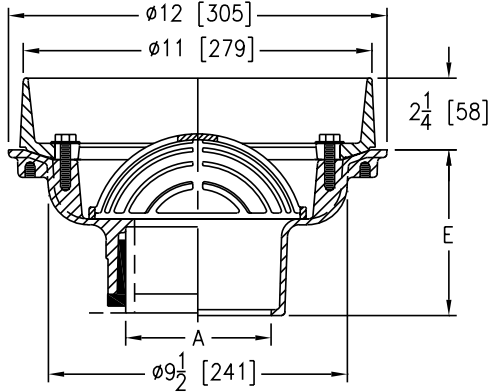
# Z122 12" DIAMETER DECK RECEPTOR DRAIN



## ENGINEERING SPECIFICATION

Zurn Z122 12" diameter deck receptor drain features Dura-Coated cast iron body with combination membrane flashing clamp/deck receptor frame and internal dome strainer.

A Pipe Size inches [mm]	Approximate Weight lb [kg]
2 [51], 3 [76], 4 [102], 6 [152]	29 [13]



PREFIXES	DESCRIPTION	PIPE SIZE	LIST PRICE
Z122*	D.C.C.I. Body with Collar	2", 3", 4", 6"	719.00

### OUTLETS (SPECIFY PIPE SIZE IN INCHES AND TYPE OF OUTLET)

OUTLET TYPE	OUTLET DESIGNATION (PIPE SIZE/OUTLET TYPE)	E BODY HT. DIM.	ADD
NH	No-Hub	2NH, 3NH, 4NH, 6NH	5-1/4" N/C
NL	Neo-Loc (not recommended for roof drains)	2NL, 3NL, 4NL	4-5/8" N/C

### SUFFIXES

SUFFIXES	ADD	
-AR	Acid Resistant Epoxy Coated Finish	1,017.00
-C	Underdeck Clamp	150.00
Ⓢ -DP	Top-Set® Roof Deck Plate (Replaces both -C and -R)	339.00
-E	2" High Static Extension	D.C.C.I. 171.00 Galv. 326.00
	For Each Additional 1" above 2" - Per Inch (Specify Height)	D.C.C.I. 87.00 Galv. 165.00
Ⓢ -EB	Top-Set Adjustable Extension Assembly	503.00
-G	Galvanized Cast Iron	171.00
-HD	High Dome	98.00
-R	Roof Sump Receiver	257.00
Ⓢ -TC	Neo-Loc Test Cap Gasket (2" thru 4" NL Bottom Outlet Only)	24.00

### BEST SELLERS

BEST SELLERS	LIST PRICE
Z122-2NH-C-R	1,126.00
Z122-4NH	719.00

\*Regularly furnished unless otherwise specified.

Items designated as Best Sellers are most specified and are generally in stock for shipment.

Ⓢ This symbol denotes a product that is engineered to reduce installation and rework time.

For additional product information, please visit [www.zurn.com](http://www.zurn.com).

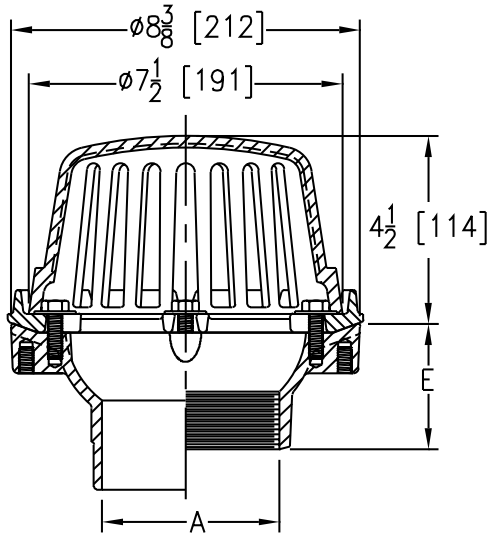
## Z125 8-3/8" DIAMETER ROOF DRAIN LOW SILHOUETTE DOME



### ENGINEERING SPECIFICATION

Zurn Z125 8-3/8" diameter roof drain features Dura-Coated cast iron body with combination flashing clamp/gravel guard and low silhouette polydome.

A Pipe Size inches [mm]	Dome Open Area sq in [cm <sup>2</sup> ]	Approximate Weight lb [kg]
2 [51], 3 [76], 4 [102]	43 [277]	14 [6]



PREFIXES	DESCRIPTION	PIPE SIZE	LIST PRICE
Z125*	D.C.C.I. Body with 4-1/4" Poly Dome	2", 3", 4"	531.00
ZA125	D.C.C.I. Body with 4-1/4" Aluminum Dome	2", 3", 4"	704.00
ZC125	D.C.C.I. Body with Low Silhouette Cast Iron Dome	2", 3", 4"	626.00

OUTLETS (SPECIFY PIPE SIZE IN INCHES AND TYPE OF OUTLET)				
OUTLET TYPE		OUTLET DESIGNATION (PIPE SIZE/OUTLET TYPE)	E BODY HT. DIM.	ADD
IC	Inside Caulk	2IC, 3IC, 4IC	3-7/8"	N/C
IP	Threaded	2IP	2-7/16"	80.00
		3IP	2-3/4"	80.00
		4IP	3"	80.00
NH	No-Hub	2NH, 3NH, 4NH	4"	N/C
NL	Neo-Loc (not recommended for roof drains)	2NL, 3NL, 4NL	3-13/16"	N/C

SUFFIXES		ADD	
-AR	Acid Resistant Epoxy Coated Finish	764.00	
-C	Underdeck Clamp	150.00	
⊖ -DP	Top-Set® Roof Deck Plate (Replaces -C and -R)	339.00	
-E	Static Extension 1" thru 4"	D.C.C.I.	344.00
		Galv.	654.00
	For Each Additional 1" above 4" - Per Inch (Specify Height)	D.C.C.I.	173.00
		Galv.	326.00
⊖ -EB	Top-Set Adjustable Extension Assembly	503.00	
-FG	Flush Grate (Replaces Dome Strainer)	251.00	
-G	Galvanized Cast Iron	200.00	
-R	Roof Sump Receiver	257.00	
-SC	Secondary Clamping Collar	194.00	
-SS	Stainless Steel Mesh Screen Over Dome	351.00	
⊖ -TC	Neo-Loc Test Cap Gasket (2", 3", 4" NL Bottom Outlet Only)	24.00	
-VP	Vandal-Proof Secured Top	116.00	
-XJ	Vertical Expansion Joint (See Z190) (Use with IP Outlets Only)	-	
-84	Stainless Steel Perforated Gravel Guard 1" thru 4"		462.00
		For Each Additional 1" above 4" - Per Inch (Specify Height)	72.00
-85	Stainless Steel Perforated Extension 1" thru 4"		462.00
		For Each Additional 1" above 4" - Per Inch (Specify Height)	72.00
-89	2" High External Water Dam	194.00	
-90	90° Threaded Side Outlet Body (2", 3", 4")	184.00	

BEST SELLERS	LIST PRICE
Z125-2NH	531.00
Z125-2NH-DP	870.00
Z125-3IP-90	795.00
Z125-3NH	531.00
Z125-3NH-89	725.00
Z125-3NH-89-DP	1,064.00
Z125-3NH-C	681.00
Z125-3NH-C-E2-FG	1,276.00
Z125-3NH-DP	870.00
ZC125-3NH	626.00
ZC125-3NH-DP	965.00
Z125-3NL	531.00
Z125-3NL-89	725.00
Z125-3NL-89-R	982.00
Z125-3NL-R	788.00
Z125-4NH	531.00
Z125-4NH-89	725.00
Z125-4NH-DP	870.00
ZC125-4NH	626.00

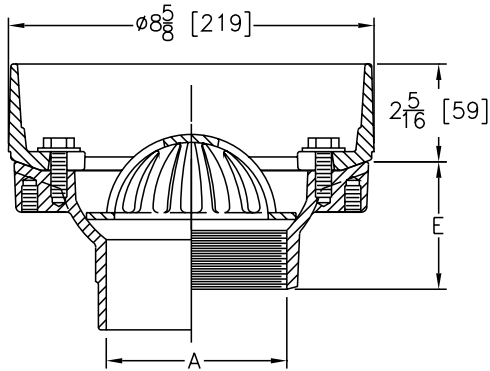
## Z127 8-1/2" DIAMETER DECK RECEPTOR DRAIN



### ENGINEERING SPECIFICATION

Zurn Z127 8-1/2" diameter deck receptor drain features Dura-Coated cast iron body with combination membrane flashing clamp/deck receptor frame and internal dome strainer.

A Pipe Size inches [mm]	Approximate Weight lb [kg]
2 [51], 3 [76], 4 [102]	19 [9]



PREFIXES	DESCRIPTION	PIPE SIZE	LIST PRICE
Z127*	D.C.C.I. Body with Collar	2", 3", 4"	593.00

OUTLETS (SPECIFY PIPE SIZE IN INCHES AND TYPE OF OUTLET)			
OUTLET TYPE	OUTLET DESIGNATION (PIPE SIZE/OUTLET TYPE)	E BODY HT. DIM.	ADD
IC	Inside Caulk	2IC, 3IC, 4IC	3-7/8" N/C
IP	Threaded	2IP	2-7/16" 80.00
		3IP	2-3/4" 80.00
		4IP	3" 80.00
NH	No-Hub	2NH, 3NH, 4NH	3-31/32" N/C
NL	Neo-Loc (not recommended for roof drains)	2NL, 3NL, 4NL	3-27/32" N/C

SUFFIXES		ADD	
-AR	Acid Resistant Epoxy Coated Finish	764.00	
-C	Underdeck Clamp	150.00	
Ⓢ -DP	Top-Set® Roof Deck Plate (Replaces -C and -R)	339.00	
-E	2" High Static Extension	D.C.C.I.	171.00
		Galv.	326.00
		For Each Additional 1" above 2" - Per Inch (Specify Height)	D.C.C.I. 87.00 Galv. 165.00
Ⓢ -EB	Top-Set Adjustable Extension Assembly	503.00	
-G	Galvanized Cast Iron	198.00	
-HD	High Dome	N/C	
-R	Roof Sump Receiver	257.00	
Ⓢ -TC	Neo-Loc Test Cap Gasket (2", 3", 4" NL Bottom Outlet Only)	24.00	

BEST SELLERS		LIST PRICE
Z127-2NH		593.00
Z127-2NH-DP		932.00

\*Regularly furnished unless otherwise specified.

Items designated as Best Sellers are most specified and are generally in stock for shipment.

Ⓢ This symbol denotes a product that is engineered to reduce installation and rework time.

For additional product information, please visit [www.zurn.com](http://www.zurn.com).

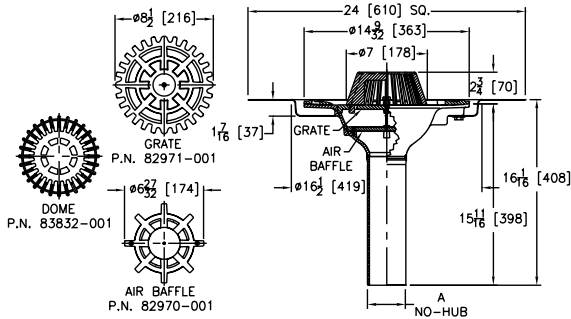
## ⌚ Z130 14-9/32" DIAMETER SIPHONIC MAIN ROOF DRAIN



### ENGINEERING SPECIFICATION

Zurn Z130 14-9/32" diameter siphonic roof drain features Dura-Coated ductile iron drain body, membrane flashing clamp, and low silhouette polydome. Complete with vandal-proof secured, Dura-Coated cast iron, air-restricting baffle and grate, and Top-Set® deck plate.

A Pipe Size inches [mm]	Dome Open Area sq in [cm <sup>2</sup> ]	Approximate Weight lb [kg]
2 [51], 3 [76], 4 [102]	28 [181]	44 [20]



PREFIXES	DESCRIPTION	PIPE SIZE	LIST PRICE
Z130*	Dura-Coated Ductile Iron Body with Polydome	2", 3", 4"	POA

#### OUTLETS (SPECIFY PIPE SIZE IN INCHES AND TYPE OF OUTLET)

OUTLET TYPE	OUTLET DESIGNATION (PIPE SIZE/OUTLET TYPE)	ADD	
NH	No-Hub	2NH, 3NH, 4NH	N/C

SUFFIXES	DESCRIPTION	LIST PRICE
⌚ -DR	Top-Set® Drain Riser	D.C.C.I. POA Galv. POA

⌚ -EB	Top-Set Adjustable Extension Assembly	POA
-LD	Less Dome	POA
-LG	Less Dome and Grate	POA
-VP	Vandal-Proof Secured Top	POA

#### BEST SELLERS

Z130-2NH	POA
Z130-3NH	POA
Z130-4NH	POA

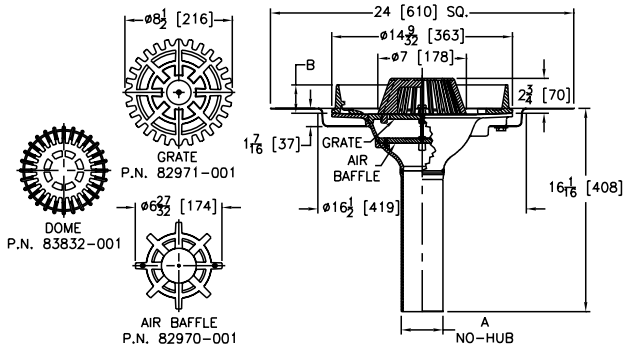
## ⌚ Z131 14-9/32" DIAMETER SIPHONIC OVERFLOW ROOF DRAIN



### ENGINEERING SPECIFICATION

Zurn Z131 14-9/32" diameter siphonic overflow roof drain features Dura-Coated ductile iron drain body, 'B' high external combination membrane flashing clamp/ overflow gravel guard, and low silhouette polydome. Complete with vandal-proof secured, Dura-Coated cast iron, air-restricting baffle and grate, and Top-Set® deck plate.

A Pipe Size inches [mm]	Dome Open Area sq in [cm <sup>2</sup> ]	Approximate Weight lb [kg]
2 [51], 3 [76], 4 [102]	28 [181]	48 [22]



PREFIXES	DESCRIPTION	PIPE SIZE	LIST PRICE
Z131*	Dura-Coated Ductile Iron Body with Polydome	2", 3", 4"	POA

#### OUTLETS (SPECIFY PIPE SIZE IN INCHES AND TYPE OF OUTLET)

OUTLET TYPE	OUTLET DESIGNATION (PIPE SIZE/OUTLET TYPE)	"B" DIMENSION	ADD
NH	No-Hub	2NH	2-1/4" N/C
		3NH, 4NH	3-5/16" N/C

SUFFIXES	DESCRIPTION	LIST PRICE
⌚ -DR	Top-Set® Drain Riser	D.C.C.I. POA Galv. POA

⌚ -EB	Top-Set Adjustable Extension Assembly	POA
-VP	Vandal-Proof Secured Top	POA

#### BEST SELLERS

Z131-2NH	POA
Z131-3NH	POA
Z131-4NH	POA



# Z150 14" SQUARE TOP PROM-DECK DRAIN WITH HEEL-PROOF GRATE AND ROTATABLE FRAME



PATENTED

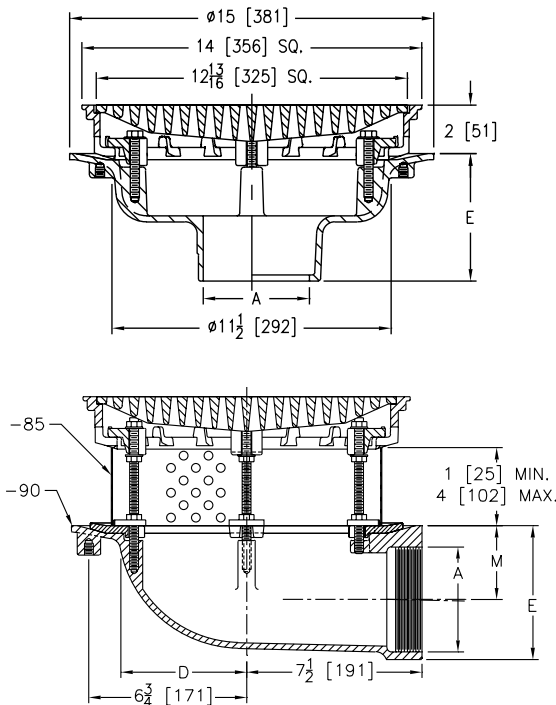
## ENGINEERING SPECIFICATION

Zurn Z150 14" square top prom-deck drain features Dura-Coated cast iron body with rotatable, square promenade frame with seepage openings, frame clamps and heavy-duty, heel-proof grate.

## NOTES

\*Add 3/16" to 2" dimension and 3/8" to 14" dimension

A Pipe Size inches [mm]	Grate Open Area sq in [cm <sup>2</sup> ]	Approximate Weight lb [kg]
2 [51], 3 [76], 4 [102]	44 [284]	53 [24]
6 [152]		54 [24]
8 [203]		



Shown with -85-90 Options

**ZURN Z150-85-90** 14" Square Top Lateral Prom-Deck Drain. Dura-Coated cast iron body with side outlet, rotatable square promenade frame with seepage openings, frame clamps, perforated stainless steel extension with secondary clamp collar, and heavy-duty heel-proof grate.

BEST SELLERS	LIST PRICE
Z150-3NH	1,202.00
Z150-3NH-DP	1,638.00
ZN150-3NH	2,205.00
Z150-3NL	1,202.00
Z150-3NL-85=4	1,986.00
Z150-4NH	1,202.00
Z150-4NH-85=4	1,986.00
Z150-4NH-85=4-EA	2,710.00

PREFIXES	DESCRIPTION	PIPE SIZE	LIST PRICE
Z150*	D.C.C.I. Body with Top	2", 3", 4"	1,202.00
		6"	1,489.00
		8"	1,767.00
ZB150†	D.C.C.I. Body with Polished Bronze Top	2", 3", 4"	2,016.00
		6"	2,294.00
		8"	2,583.00
ZN150†	D.C.C.I. Body with Polished Nickel Bronze Top	2", 3", 4"	2,205.00
		6"	2,486.00
		8"	2,764.00

OUTLETS (SPECIFY PIPE SIZE IN INCHES AND TYPE OF OUTLET)			
OUTLET TYPE	OUTLET DESIGNATION (PIPE SIZE/OUTLET TYPE)	E BODY HT. DIM.	ADD
IC	Inside Caulk	3IC, 4IC, 6IC	5-1/4" N/C
IP	Threaded	2IP, 3IP, 4IP, 6IP, 8IP	3-3/4" 80.00
NH	No-Hub	2NH, 3NH, 4NH, 6NH, 8NH	5-1/4" N/C
NL	Neo-Loc (not recommended for roof drains)	2NL, 3NL, 4NL	4-9/16" N/C

SUFFIXES	ADD
-AR	Acid Resistant Epoxy Coated Finish 1,355.00
-C	Underdeck Clamp 244.00
ⓐ -DE	Deck Extension D.C.C.I. 703.00 Galv. 1,044.00
-DG	Duresist Grate 615.00
ⓐ -DP	Top-Set® Roof Deck Plate (Replaces -C and -R) 436.00
ⓐ -DR	Top-Set Drain Riser (Adjustment from 3-5/8" thru 7-1/4") D.C.C.I. 1,215.00 Galv. 1,556.00
-DT	Decorative Polished Top (ZB and ZN Only) 178.00
-E	Static Extension 1" thru 4" (Specify Height) D.C.C.I. 660.00 Galv. 995.00
	For E Extensions Greater than 4" - Per Inch (Specify Height) D.C.C.I. 158.00 Galv. 242.00
-EA	Adjustable Extension Assembly D.C.C.I. 724.00 Galv. 1,073.00
ⓐ -EB	Top-Set Adjustable Extension Assembly 660.00
-G	Galvanized Cast Iron 889.00
-R	Roof Sump Receiver 272.00
-S	Secondary Strainer 98.00
-SC	Secondary Clamp Collar 185.00
ⓐ -TC	Neo-Loc Test Cap Gasket (2", 3", 4" NL Bottom Outlet Only) 24.00
-TS	Top Secured with Slotted Screws 129.00
-VP	Vandal-Proof Secured Top 147.00
-XJ	Vertical Expansion Joint (See Z190) (Use with IP Outlets Only) -
-Y	Sediment Bucket 257.00
-85	Stainless Steel Perforated Extension 1" thru 4" 784.00
	For Each Additional 1" above 4" - Per Inch (Specify Height) 79.00
-90	90° Threaded Side Outlet Body (2", 3", 4", 6") 368.00

BEST SELLERS	LIST PRICE
ZN150-4NH	2,205.00
Z150-4NL	1,202.00
Z150-4NL-E4	1,862.00
ZB150-4NL-EA	2,740.00
ZN150-4NL	2,205.00
Z150-6NH	1,489.00
ZN150-6NH	2,486.00
Z150-8NH	1,767.00

\*Regularly furnished unless otherwise specified.

Items designated as Best Sellers are most specified and are generally in stock for shipment.

ⓐ This symbol denotes a product that is engineered to reduce installation and rework time.

For additional product information, please visit [www.zurn.com](http://www.zurn.com).

# Z154 12" SQUARE TOP PROM-DECK DRAIN WITH HEEL-PROOF GRATE AND ROTABLE FRAME



PATENTED

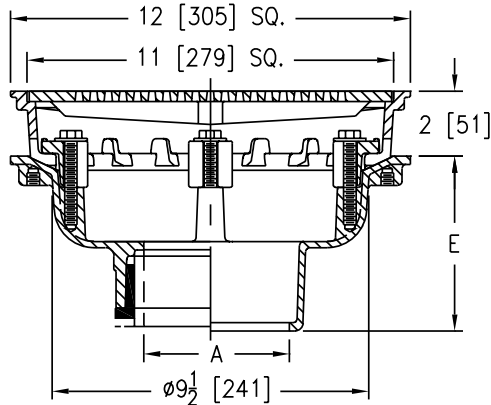
## ENGINEERING SPECIFICATION

Zurn Z154 12" square top prom-deck drain features Dura-Coated cast iron body with rotatable, light-duty, square promenade frame with seepage openings, frame clamps and light-duty, heel-proof grate.

## NOTES

†Add 3/16" to 2" dimension and 5/8" to 12" dimension

A Pipe Size inches [mm]	Grate Open Area sq in [cm <sup>2</sup> ]	Approximate Weight lb [kg]
2 [51], 3 [76], 4 [102], 6 [152]	34 [219]	29 [13]



PREFIXES	DESCRIPTION	PIPE SIZE	LIST PRICE
Z154*	D.C.C.I. Body with Top	2", 3", 4", 6"	1,078.00
ZB154†	D.C.C.I. Body with Polished Bronze Top	2", 3", 4", 6"	1,719.00
ZN154†	D.C.C.I. Body with Polished Nickel Bronze Top	2", 3", 4", 6"	1,817.00

OUTLETS (SPECIFY PIPE SIZE IN INCHES AND TYPE OF OUTLET)			
OUTLET TYPE	OUTLET DESIGNATION (PIPE SIZE/OUTLET TYPE)	E BODY HT. DIM.	ADD
IC	Inside Caulk	2IC, 3IC, 4IC, 6IC	5-1/4" N/C
IP	Threaded	2IP, 3IP, 4IP, 6IP	3-3/4" 80.00
NH	No-Hub	2NH, 3NH, 4NH, 6NH	5-1/4" N/C
NL	Neo-Loc (not recommended for roof drains)	2NL, 3NL, 4NL	4-9/16" N/C

SUFFIXES	ADD
-AR	Acid Resistant Epoxy Coated Finish 1,017.00
-C	Underdeck Clamp 150.00
-DG	Duresist Grate (Z Only) 544.00
Ⓢ -DP	Top-Set® Roof Deck Plate 339.00
-DT	Decorative Polished Top (ZB and ZN Only) 178.00
-E	2" High Static Extension D.C.C.I. 171.00
	Galv. 326.00
	For Each Additional 1" above 2" - Per Inch (Specify Height) D.C.C.I. 87.00
	Galv. 165.00
Ⓢ -EB	Top-Set Adjustable Extension Assembly 503.00
-G	Galvanized Cast Iron 501.00
-S	Secondary Strainer 98.00
-SC	Secondary Clamp Collar 194.00
Ⓢ -TC	Neo-Loc Test Cap Gasket (2", 3", 4" NL Bottom Outlet Only) 24.00
-TS	Top Secured with Slotted Screws 129.00
-VP	Vandal-Proof Secured Top 147.00
-Y	Sediment Bucket 257.00
-85	Stainless Steel Perforated Extension 1" thru 4" 626.00
	For Each Additional 1" above 4" - Per Inch (Specify Height) 72.00
-90	90° Threaded Side Outlet Body (2", 3", 4") 158.00

BEST SELLERS	LIST PRICE
Z154-3NH	1,078.00
Z154-3NH-C	1,228.00
Z154-3NH-VP	1,225.00
Z154-3NL	1,078.00
Z154-3NL-85=4	1,704.00
ZN154-3NL	1,817.00
ZB154-3NL	1,719.00
Z154-4NH	1,078.00
Z154-4NH-EB	1,581.00
ZN154-4NH-85=4	2,443.00
ZN154-4NL	1,817.00
ZN154-4NL-VP	1,964.00
ZN154-6NH	1,817.00

# Z158 10" SQUARE TOP PROM-DECK DRAIN WITH HEEL-PROOF GRATE AND ROTATABLE FRAME



PATENTED

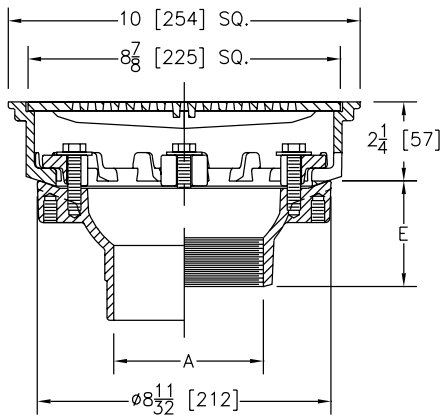
## ENGINEERING SPECIFICATION

Zurn Z158 10" square top prom-deck drain features Dura-Coated cast iron body with rotatable, square promenade frame with seepage openings, frame clamps and light-duty, heel-proof grate.

## NOTES

†Add 3/16" to 2-1/4" dimension and 5/8" to 10" dimension

A Pipe Size inches [mm]	Grate Open Area sq in [cm <sup>2</sup> ]	Approximate Weight lb [kg]
2 [51], 3 [76], 4 [102]	21 [136]	20 [9]



PREFIXES	DESCRIPTION	PIPE SIZE	LIST PRICE
Z158*	D.C.C.I. Body with Top	2", 3", 4"	821.00
ZB158†	D.C.C.I. Body with Polished Bronze Top	2", 3", 4"	1,199.00
ZN158†	D.C.C.I. Body with Polished Nickel Bronze Top	2", 3", 4"	1,250.00

OUTLETS (SPECIFY PIPE SIZE IN INCHES AND TYPE OF OUTLET)			
OUTLET TYPE	OUTLET DESIGNATION (PIPE SIZE/OUTLET TYPE)	E BODY HT. DIM.	ADD
IC	Inside Caulk	3IC, 4IC	3-7/8" N/C
IP	Threaded	2IP	2-7/16" 80.00
		3IP	2-3/4" 80.00
		4IP	3" 80.00
NH	No-Hub	2NH, 3NH, 4NH	4" N/C
NL	Neo-Loc (not recommended for roof drains)	2NL, 3NL, 4NL	3-13/16" N/C

SUFFIXES	ADD
-AR	Acid Resistant Epoxy Coated Finish 758.00
-C	Underdeck Clamp 150.00
-DG	Duresist Grate 476.00
Ⓢ -DP	Top-Set® Roof Deck Plate 339.00
-DT	Decorative Polished Top (ZB and ZN Only) 178.00
-E	2" High Static Extension D.C.C.I. 171.00
	Galv. 326.00
	For Each Additional 1" above 2" - Per Inch (Specify Height) D.C.C.I. 87.00 Galv. 165.00
Ⓢ -EB	Top-Set Adjustable Extension Assembly 503.00
-G	Galvanized Cast Iron 272.00
-SC	Secondary Clamp Collar 194.00
Ⓢ -TC	Neo-Loc Test Cap Gasket (2", 3", 4" NL Bottom Outlet Only) 24.00
-TS	Top Secured with Slotted Screws 129.00
-VP	Vandal-Proof Secured Top 147.00
-Y	Sediment Bucket 211.00
-85	Stainless Steel Perforated Extension 1" thru 4" 462.00
	For Each Additional 1" above 4" - Per Inch (Specify Height) 79.00
-90	90° Threaded Side Outlet Body (2", 3", 4") 184.00

BEST SELLERS	LIST PRICE
Z158-3NH	821.00
Z158-3NH-C-E2	1,142.00
Z158-4NH	821.00
Z158-4NL	821.00
ZB158-3IP	1,279.00
ZN158-3NH	1,250.00
ZN158-3NL	1,250.00
ZB158-4NL	1,199.00
ZB158-4NL-VP	1,346.00
ZN158-4NL	1,250.00

\*Regularly furnished unless otherwise specified.

Items designated as Best Sellers are most specified and are generally in stock for shipment.

Ⓢ This symbol denotes a product that is engineered to reduce installation and rework time.

For additional product information, please visit [www.zurn.com](http://www.zurn.com).

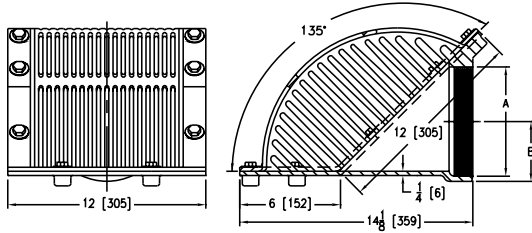
## Z160 135° SCUPPER DRAIN



### ENGINEERING SPECIFICATION

Zurn ZRB160 135° scupper drain features Dura-Coated cast iron body and plain bronze grate with integral membrane clamp.

Dimensions in inches [mm]			Grate Open Area sq in [cm <sup>2</sup> ]	Approximate Weight lb [kg]
A	B			
4 [102]	2-9/16 [65]	114 [735]	52 [24]	
6 [152]	3-5/8 [92]			



PREFIXES	DESCRIPTION	PIPE SIZE	LIST PRICE
ZRB160*	D.C.C.I. Body with Plain Bronze Grate	4", 6"	3,843.00
ZB160	D.C.C.I. Body with Polished Bronze Grate	4", 6"	4,393.00
ZN160	D.C.C.I. Body with Polished Nickel Bronze Grate	4", 6"	4,620.00

OUTLETS (SPECIFY PIPE SIZE IN INCHES AND TYPE OF OUTLET)			
OUTLET TYPE	OUTLET DESIGNATION (PIPE SIZE/OUTLET TYPE)	ADD	
IP	Threaded	4IP, 6IP	N/C
SUFFIXES		ADD	
-G	Galvanized Cast Iron	536.00	

SEE LEGACY ADDENDUM ON PAGE 369 FOR MORE INFORMATION

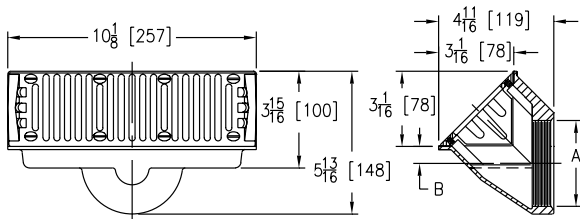
## Z161 3" X 10" OBLIQUE SCUPPER DRAIN



### ENGINEERING SPECIFICATION

Zurn ZARB161 3" x 10" oblique scupper drain features plain bronze body with gasket and plain bronze grate with integral membrane clamp.

Dimensions in inches [mm]		Grate Open Area sq in [cm <sup>2</sup> ]	Approximate Weight lb [kg]
A	B		
2 [51]	1-1/4 [32]	19 [123]	23 [10]
3 [76]	1-1/16 [27]		21 [10]



PREFIXES	DESCRIPTION	PIPE SIZE	LIST PRICE
ZARB161*	All Bronze Body with Plain Bronze Grate	2", 3"	1,155.00
ZAB161	All Bronze Body with Polished Bronze Grate	2", 3"	1,480.00
ZANB161	All Bronze Body with Polished Nickel Bronze Grate	2", 3"	1,829.00

OUTLETS (SPECIFY PIPE SIZE IN INCHES AND TYPE OF OUTLET)			
OUTLET TYPE	OUTLET DESIGNATION (PIPE SIZE/OUTLET TYPE)	ADD	
IP	Threaded	2IP, 3IP	N/C
BEST SELLER		LIST PRICE	
ZARB161-3IP		1,155.00	

**🕒 Z163 15" DIAMETER COMBINATION MAIN ROOF AND OVERFLOW DRAIN WITH LOW SILHOUETTE DOMES AND DOUBLE TOP-SET® DECK PLATE**

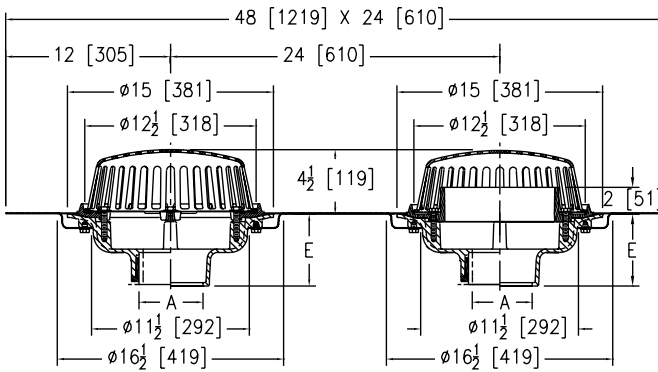


PATENTED

**ENGINEERING SPECIFICATION**

Zurn Z163 15" diameter roof drain and overflow drain feature Dura-Coated cast iron bodies with combination membrane flashing clamp/gravel guards, double Top-Set® deck plate and low silhouette polydomes.

A Pipe Size inches [mm]	Dome Open Area sq in [cm <sup>2</sup> ]	Approximate Weight lb [kg]
2 [51], 3 [76], 4 [102]	103 [665]	73 [33]
6 [152]		74 [34]
8 [203]		75 [34]



BEST SELLERS	LIST PRICE
Z163-3NH	2,485.00
ZA163-3NH	2,967.00
ZA163-3NH-EA	4,415.00
Z163-3NL-TC	2,532.00
Z163-4NH	2,485.00
Z163-4NH-EA	3,933.00
ZA163-4NH	2,967.00
ZA163-4NH-EA	4,415.00
Z163-4NL-TC	2,532.00
ZC163-4IP	3,057.00
Z163-6NH	3,087.00
Z163-6NH-DR	5,521.00
Z163-6NH-EA	4,535.00
Z163-6NH-EA-G-SC	5,610.00
Z163-6NH-VP-W3	3,755.00
Z163-6NH-W4	3,507.00
ZA163-6NH	3,575.00
ZA163-6NH-EA	5,023.00
ZC163-6NH	3,502.00
ZC163-6NH-EA	4,950.00
Z163-8NH	3,691.00
Z163-8NH-EA	5,139.00

PREFIXES	DESCRIPTION	PIPE SIZE	LIST PRICE
Z163*	D.C.C.I. Body with Polydome	2", 3", 4"	2,485.00
		6"	3,087.00
		8"	3,691.00
ZA163	D.C.C.I. Body with Aluminum Dome	2", 3", 4"	2,967.00
		6"	3,575.00
		8"	4,178.00
ZC163	D.C.C.I. Body with Cast Iron Dome	2", 3", 4"	2,900.00
		6"	3,502.00
		8"	4,107.00

OUTLETS (SPECIFY PIPE SIZE IN INCHES AND TYPE OF OUTLET)				
OUTLET TYPE		OUTLET DESIGNATION (PIPE SIZE/OUTLET TYPE)	E BODY HT. DIM.	ADD
IC	Inside Caulk	3IC, 4IC, 6IC	5-1/4"	N/C
IP	Threaded	2IP, 3IP, 4IP, 6IP, 8IP	3-3/4"	157.00
NH	No-Hub	2NH, 3NH, 4NH, 6NH, 8NH	5-1/4"	N/C
NL	Neo-Loc (not recommended for roof drains)	2NL, 3NL, 4NL	4-5/8"	N/C

SUFFIXES		ADD	
-AR	Acid Resistant Epoxy Coated Finish	2,705.00	
🕒 -DE	Deck Extension	D.C.C.I.	1,405.00
		Galv.	2,085.00
🕒 -DR	Top-Set® Drain Riser	2,434.00	
-E	Static Extension 1" thru 4" (Specify Height)	D.C.C.I.	1,318.00
		Galv.	1,989.00
		For E Extensions Greater than 4" - Per Inch (Specify Height)	D.C.C.I.
-EA	Adjustable Extension Assembly 2-1/8" thru 3-1/2"	D.C.C.I.	1,448.00
		Galv.	2,147.00
-G	Galvanized Cast Iron (ZC Only)	Z	1,917.00
		ZC	2,728.00
-HD	6-3/4" High Aluminum Dome Strainer, Open Area 148 Sq. In. (ZA Only)	453.00	
-SC	Secondary Clamping Collar	376.00	
-SS	Stainless Mesh Screen Over Dome	1,006.00	
🕒 -TC	Neo-Loc Test Cap Gasket (2", 3", 4" NL Bottom Outlet Only)	47.00	
-VP	Vandal-Proof Secured Top	248.00	
-W3	3" Internal Water Dam	420.00	
-W4	4" Internal Water Dam	420.00	
-XJ	Vertical Expansion Joint (See Z190)	-	
-84	Stainless Steel Perforated Gravel Guard 1" thru 4"		1,566.00
		For Each Additional 1" above 4" - Per Inch (Specify Height)	72.00
-85	Stainless Steel Perforated Extension 1" thru 4"		1,577.00
		For Each Additional 1" above 4" - Per Inch (Specify Height)	72.00
-89	2" High External Water Dam (Replaces Internal Dam)	N/C	

\*Regularly furnished unless otherwise specified.

Items designated as Best Sellers are most specified and are generally in stock for shipment.

🕒 This symbol denotes a product that is engineered to reduce installation and rework time.

For additional product information, please visit [www.zurn.com](http://www.zurn.com).

INTRO ROOF DRAINS FLOOR DRAINS T, P, BW VALVES INTERCEPTORS CARRIERS HYDRANTS CLEANOUTS W/HA SS DRAINS FAB SS DRAINS SAN-FLOOR TECH INFO

**Z164 12" DIAMETER COMBINATION MAIN ROOF AND OVERFLOW DRAIN WITH LOW SILHOUETTE DOMES AND DOUBLE TOP-SET® DECK PLATE**

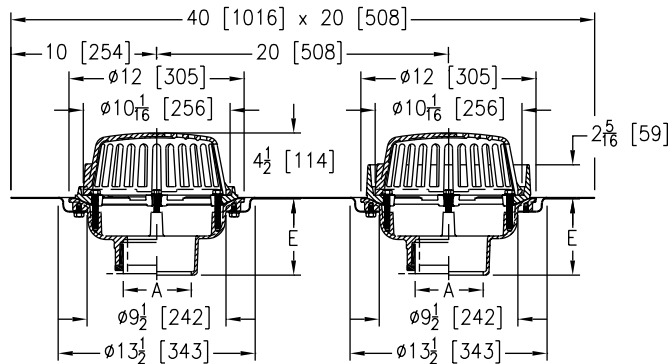


PATENTED

**ENGINEERING SPECIFICATION**

Zurn Z164 12" diameter roof drain and overflow drain feature Dura-Coated cast iron bodies with combination membrane flashing clamp/gravel guards, double Top-Set® deck plate and low silhouette cast iron domes.

A Pipe Size inches [mm]	Dome Open Area sq in [cm <sup>2</sup> ]	Approximate Weight lb [kg]
2 [51], 3 [76], 4 [102], 6 [152]	78 [503]	66 [30]



PREFIXES	DESCRIPTION	PIPE SIZE	LIST PRICE
<b>Z164*</b>	D.C.C.I. Body with 4-1/4" Dome	2", 3", 4", 6"	<b>1,938.00</b>
<b>ZA164</b>	D.C.C.I. Body with 6-9/16" Aluminum Dome	2", 3", 4", 6"	<b>2,117.00</b>
OUTLETS (SPECIFY PIPE SIZE IN INCHES AND TYPE OF OUTLET)			
OUTLET TYPE	OUTLET DESIGNATION (PIPE SIZE/OUTLET TYPE)	E BODY HT. DIM.	ADD
<b>IC</b>	Inside Caulk	2IC, 3IC, 4IC, 6IC	5-1/4" <b>N/C</b>
<b>IP</b>	Threaded	2IP, 3IP, 4IP, 6IP	3-3/4" <b>157.00</b>
<b>NH</b>	No-Hub	2NH, 3NH, 4NH, 6NH	5-1/4" <b>N/C</b>
<b>NL</b>	Neo-Loc (not recommended for roof drains)	2NL, 3NL, 4NL	4-5/8" <b>N/C</b>
SUFFIXES			ADD
<b>-AR</b>	Acid Resistant Epoxy Coated Finish		<b>2,031.00</b>
<b>-E</b>	Static Extension 1" thru 4"	D.C.C.I.	<b>344.00</b>
		Galv.	<b>654.00</b>
	For Each Additional 1" above 4" - Per Inch (Specify Height)	D.C.C.I.	<b>173.00</b>
		Galv.	<b>326.00</b>
<b>-G</b>	Galvanized Cast Iron		<b>789.00</b>
<b>-SC</b>	Secondary Clamping Collar		<b>366.00</b>
<b>-SS</b>	Stainless Steel Mesh Screen Over Dome		<b>934.00</b>
<b>-TC</b>	Neo-Loc Test Cap Gasket (2", 3", 4" NL Bottom Outlet Only)		<b>47.00</b>
<b>-VP</b>	Vandal-Proof Secured Top		<b>228.00</b>
<b>-XJ</b>	Vertical Expansion Joint (See Z190)		<b>-</b>
<b>-84</b>	Stainless Steel Perforated Gravel Guard 1" thru 4"		<b>1,566.00</b>
	For Each Additional 1" above 4" - Per Inch (Specify Height)		<b>72.00</b>
<b>-85</b>	Stainless Steel Perforated Extension 1" thru 4"		<b>1,577.00</b>
	For Each Additional 1" above 4" - Per Inch (Specify Height)		<b>72.00</b>
BEST SELLERS			LIST PRICE
Z164-3NH			<b>1,938.00</b>
Z164-3NH-SC			<b>2,304.00</b>
Z164-3NH-VP			<b>2,166.00</b>
ZA164-3NH-G			<b>2,906.00</b>
Z164-3NL			<b>1,938.00</b>
Z164-4NH			<b>1,938.00</b>
Z164-4NH-E4			<b>2,282.00</b>
Z164-4NH-VP			<b>2,166.00</b>
Z164-4NL			<b>1,938.00</b>
Z164-6NH			<b>1,938.00</b>
Z164-6NH-SC			<b>2,304.00</b>

For additional product information, please visit [www.zurn.com](http://www.zurn.com).

\*Regularly furnished unless otherwise specified.

Items designated as Best Sellers are most specified and are generally in stock for shipment.

Ⓢ This symbol denotes a product that is engineered to reduce installation and rework time.

## 🕒 Z165 8-3/8" DIAMETER COMBINATION MAIN ROOF AND OVERFLOW DRAIN WITH LOW SILHOUETTE DOMES AND DOUBLE TOP-SET® DECK PLATE

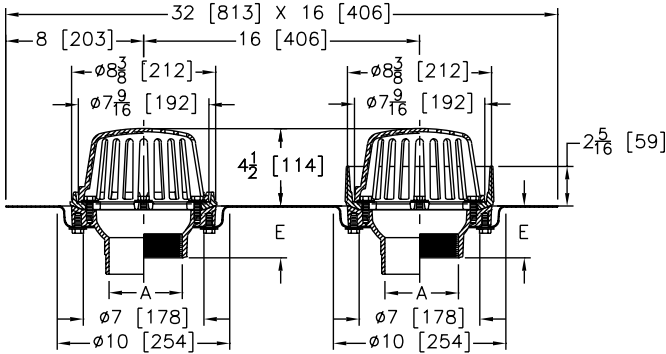


PATENTED

### ENGINEERING SPECIFICATION

Zurn Z165 8-3/8" diameter roof drain and overflow drain feature Dura-Coated cast iron bodies with combination membrane flashing clamp/gravel guards, double Top-Set® deck plate, and low silhouette cast iron domes.

A Pipe Size inches [mm]	Dome Open Area sq in [cm <sup>2</sup> ]	Approximate Weight lb [kg]
2 [51], 3 [76], 4 [102]	43 [277]	36 [16]



PREFIXES	DESCRIPTION	PIPE SIZE	LIST PRICE
Z165*	D.C.C.I. Body with 4-1/4" Dome	2", 3", 4"	1,743.00
ZA165	D.C.C.I. Body with 4-1/4" Aluminum Dome	2", 3", 4"	1,928.00

OUTLETS (SPECIFY PIPE SIZE IN INCHES AND TYPE OF OUTLET)			
OUTLET TYPE	OUTLET DESIGNATION (PIPE SIZE/OUTLET TYPE)	E BODY HT. DIM.	ADD
IC	Inside Caulk	2IC, 3IC, 4IC	3-7/8" N/C
IP	Threaded	2IP	2-7/16" 157.00
		3IP	2-3/4" 157.00
		4IP	3" 157.00
NH	No-Hub	2NH, 3NH, 4NH	4" N/C
NL	Neo-Loc (not recommended for roof drains)	2NL, 3NL, 4NL	3-13/16" N/C

SUFFIXES	ADD
-AR	Acid Resistant Epoxy Coated Finish 1,521.00
-E	Static Extension 1" thru 4" D.C.C.I. 344.00
	Galv. 654.00
	For Each Additional 1" above 4" - Per Inch (Specify Height) D.C.C.I. 173.00
	Galv. 326.00
-G	Galvanized Cast Iron 399.00
-SC	Secondary Clamping Collar 382.00
-SS	Stainless Steel Mesh Screen Over Dome 704.00
🕒 -TC	Neo-Loc Test Cap Gasket (2", 3", 4" NL Bottom Outlet Only) 47.00
-VP	Vandal-Proof Secured Top 228.00
-XJ	Vertical Expansion Joint (See Z190) (Use with IP Outlets Only) -
-84	Stainless Steel Perforated Gravel Guard 1" thru 4" 1,566.00
	For Each Additional 1" above 4" - Per Inch (Specify Height) 72.00
-85	Stainless Steel Perforated Extension 1" thru 4" 1,577.00
	For Each Additional 1" above 4" - Per Inch (Specify Height) 72.00

BEST SELLERS	LIST PRICE
Z165-2NH	1,743.00
Z165-3NH	1,743.00
Z165-3NL	1,743.00
Z165-4NH	1,743.00
Z165-4NL	1,743.00

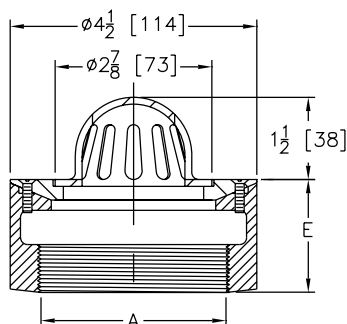
## Z180 4-1/2" DIAMETER CORNICE DRAIN WITH BOTTOM OUTLET



### ENGINEERING SPECIFICATION

Zurn ZRB180 4-1/2" diameter by 2" high cornice drain features Dura-Coated cast iron body, plain bronze dome, and membrane flashing clamp.

A Pipe Size inches [mm]	Dome Open Area sq in [cm <sup>2</sup> ]	Approximate Weight lb [kg]
2 [51], 3 [76]	4.5 [29]	5 [2]



PREFIXES	DESCRIPTION	PIPE SIZE	LIST PRICE
ZRB180*	D.C.C.I. Body with Plain Bronze Dome	2", 3"	417.00
ZN180	D.C.C.I. Body with Polished Nickel Bronze Dome	2", 3"	622.00

OUTLETS (SPECIFY PIPE SIZE IN INCHES AND TYPE OF OUTLET)			
OUTLET TYPE	OUTLET DESIGNATION (PIPE SIZE/OUTLET TYPE)	E BODY HT. DIM.	ADD
IP	Threaded	2IP, 3IP	2" N/C
NH	No-Hub (IP w/Z1040)	2NH, 3NH	4-1/2" N/C
SUFFIXES	ADD		
-FS	Flat Strainer (ZN)		N/C
-G	Galvanized Cast Iron		158.00
-VP	Vandal-Proof Secured Top		58.00

\*Regularly furnished unless otherwise specified.

Items designated as Best Sellers are most specified and are generally in stock for shipment.

🕒 This symbol denotes a product that is engineered to reduce installation and rework time.

For additional product information, please visit [www.zurn.com](http://www.zurn.com).

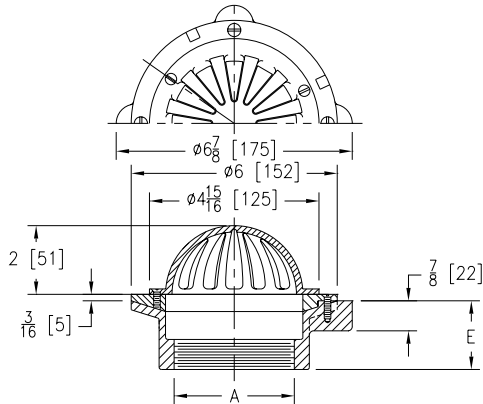
## Z181 6" DIAMETER CORNICE DRAIN WITH BOTTOM OUTLET



### ENGINEERING SPECIFICATION

Zurn ZRB181 6" diameter by 2" high cornice drain features Dura-Coated cast iron body, plain bronze dome, and membrane flashing clamp.

A Pipe Size inches [mm]	Dome Open Area sq in [cm <sup>2</sup> ]	Approximate Weight lb [kg]
3 [76]	11 [71]	6 [3]
4 [102]		7 [3]



PREFIXES	DESCRIPTION	PIPE SIZE	LIST PRICE
ZRB181*	D.C.C.I. Body with Plain Bronze Dome	3"	791.00
		4"	1,108.00
ZN181	D.C.C.I. Body with Polished Nickel Bronze Dome	3"	994.00
		4"	1,313.00

OUTLETS (SPECIFY PIPE SIZE IN INCHES AND TYPE OF OUTLET)			
OUTLET TYPE	OUTLET DESIGNATION (PIPE SIZE/OUTLET TYPE)	E BODY HT. DIM.	ADD
IP	Threaded	3IP, 4IP	N/C
NH	No-Hub (IP w/Z1040)	3NH, 4NH	4-1/2" N/C
SUFFIXES			
			ADD
-BS	Bronze Mesh Screen Over Dome		527.00
-C	Underdeck Clamp		150.00
-FS	Flat Strainer (ZN)		N/C
-G	Galvanized Cast Iron		168.00
-HD	5-3/4" High Dome	ZRB	84.00
		ZN	109.00
-R	Roof Sump Receiver		257.00
-SS	Stainless Steel Mesh Screen Over Dome		527.00
-VP	Vandal-Proof Secured Top		58.00

BEST SELLERS		LIST PRICE
ZN181-4IP-FS		1,313.00
ZN181-4NH-HD-SS		1,949.00

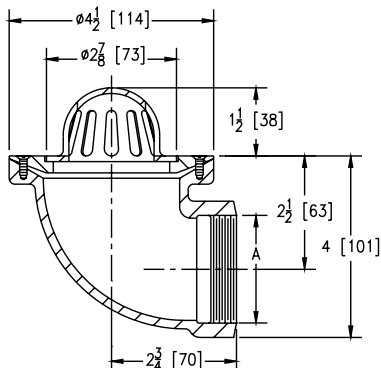
## Z182 4-1/2" DIAMETER CORNICE DRAIN WITH 90° OUTLET



### ENGINEERING SPECIFICATION

Zurn ZRB182 4-1/2" diameter cornice drain features Dura-Coated cast iron 90° side outlet body, plain bronze dome, and membrane flashing clamp.

A Pipe Size inches [mm]	Dome Open Area sq in [cm <sup>2</sup> ]	Approximate Weight lb [kg]
2 [51]	4.5 [29]	5 [2]



PREFIXES	DESCRIPTION	PIPE SIZE	LIST PRICE
ZRB182*	D.C.C.I. Body with Plain Bronze Dome	2"	531.00
ZN182	D.C.C.I. Body with Polished Nickel Bronze Dome	2"	742.00

OUTLETS (SPECIFY PIPE SIZE IN INCHES AND TYPE OF OUTLET)			
OUTLET TYPE	OUTLET DESIGNATION (PIPE SIZE/OUTLET TYPE)	ADD	
IP	Threaded	2IP	N/C
SUFFIXES			
			ADD
-FS	Flat Strainer (ZN)		N/C
-G	Galvanized Cast Iron		168.00
-VP	Vandal-Proof Secured Top		58.00



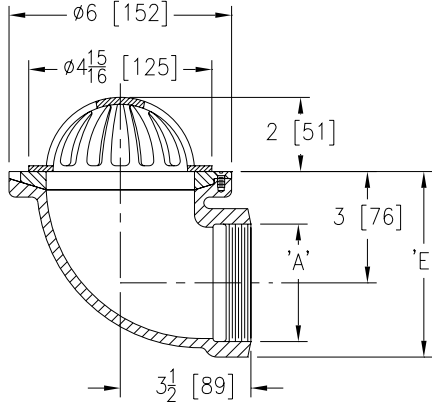
## Z185 6" DIAMETER CORNICE DRAIN WITH 90° OUTLET



### ENGINEERING SPECIFICATION

Zurn ZRB185 6" diameter cornice drain features Dura-Coated cast iron 90° side outlet body, plain bronze dome, and membrane flashing clamp.

A Pipe Size inches [mm]	Dome Open Area sq in [cm <sup>2</sup> ]	Approximate Weight lb [kg]
3 [76]	11 [71]	8 [4]
4 [102]		10 [5]



PREFIXES	DESCRIPTION	PIPE SIZE	LIST PRICE
ZRB185*	D.C.C.I. Body with Plain Bronze Dome	3", 4"	719.00
ZN185	D.C.C.I. Body with Polished Nickel Bronze Dome	3", 4"	923.00

OUTLETS (SPECIFY PIPE SIZE IN INCHES AND TYPE OF OUTLET)				
OUTLET TYPE		OUTLET DESIGNATION (PIPE SIZE/OUTLET TYPE)	E BODY HT. DIM.	ADD
IP	Threaded	3IP	5-1/8"	N/C
		4IP	5-5/8"	N/C

SUFFIXES			
			ADD
-FS	Flat Strainer (ZN)		N/C
-G	Galvanized Cast Iron		168.00
-HD	5-3/4" High Dome	ZRB	84.00
		ZN	109.00
-VP	Vandal-Proof Secured Top		58.00
-45	45° Side Outlet Body		N/C

SEE LEGACY ADDENDUM ON PAGE 369 FOR MORE INFORMATION

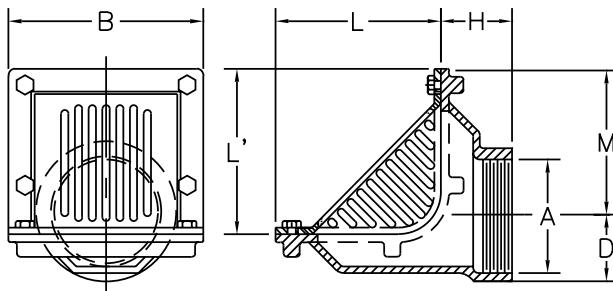
## Z187 6" X 7" OR 8" X 12" OBLIQUE SCUPPER DRAIN



### ENGINEERING SPECIFICATION

Zurn Z187 6" x 7" or 8" x 12" scupper drain features Dura-Coated cast iron body with reversible back or bottom outlet, oblique aluminum grate with 90° combination frame, and membrane flashing clamp.

Dimensions in inches [mm]					Grate Open Area sq in [cm <sup>2</sup> ]	Approximate Weight lb [kg]
A	B	H	L	M		
2 [51]	7-1/2 [191]	2-3/4 [70]	6-3/8 [162]	6-11/16 [170]	31 [200]	22 [10]
3 [76]				6-5/32 [156]		20 [9]
4 [102]	5-5/8 [143]	20 [9]				
6 [152]	12-1/2 [318]	3-1/2 [89]	8-3/8 [213]	7-3/8 [187]	72 [465]	32 [15]
8 [203]				6-3/8 [162]		33 [15]



PREFIXES	DESCRIPTION	PIPE SIZE	LIST PRICE
Z187*	D.C.C.I. Body with Grate	2", 3", 4" 6", 8"	618.00 1,199.00
ZN187	D.C.C.I. Body with Polished Nickel Bronze Grate	2", 3", 4" 6", 8"	1,625.00 2,205.00

OUTLETS (SPECIFY PIPE SIZE IN INCHES AND TYPE OF OUTLET)				
OUTLET TYPE		OUTLET DESIGNATION (PIPE SIZE/OUTLET TYPE)	E BODY HT. DIM.	ADD
IP	Threaded	2IP, 3IP, 4IP	8-3/16"	N/C
		6IP, 8IP	11"	N/C

SUFFIXES				
			ADD	
-BS	Bronze Mesh Screen Over Grate		531.00	
-FG	Flush Grate	2", 3", 4"	Z, ZN	47.00
		6", 8"	Z	61.00
			ZN	433.00
-G	Galvanized Cast Iron	2", 3", 4" 6", 8"	242.00 478.00	
-VP	Vandal-Proof Secured Top		58.00	

BEST SELLERS		LIST PRICE
Z187-3IP		618.00
Z187-3NH		618.00
Z187-4IP		618.00
Z187-4NH		618.00
Z187-6NH		1,199.00
ZN187-6NH		2,205.00

\*Regularly furnished unless otherwise specified.

Items designated as Best Sellers are most specified and are generally in stock for shipment.

⌚ This symbol denotes a product that is engineered to reduce installation and rework time.

For additional product information, please visit [www.zurn.com](http://www.zurn.com).

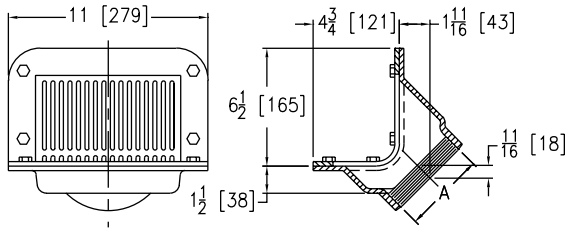
## Z189 5" X 6" X 11" SCUPPER DRAIN



### ENGINEERING SPECIFICATION

Zurn Z189 5" x 6" x 11" scupper drain features Dura-Coated cast iron body with 45° outlet and flush type aluminum strainer with combination aluminum frame and membrane flashing clamp.

A Pipe Size inches [mm]	Grate Open Area sq in [cm <sup>2</sup> ]	Approximate Weight lb [kg]
2 [51]	20 [129]	18 [8]
3 [76]		
4 [102]		



PREFIXES	DESCRIPTION	PIPE SIZE	LIST PRICE
Z189*	D.C.C.I. Body with Aluminum Grate	2", 3", 4"	671.00
ZB189	D.C.C.I. Body with Polished Bronze Grate	2", 3", 4"	1,358.00
ZN189	D.C.C.I. Body with Polished Nickel Bronze Grate	2", 3", 4"	1,672.00

OUTLETS (SPECIFY PIPE SIZE IN INCHES AND TYPE OF OUTLET)			
OUTLET TYPE		OUTLET DESIGNATION (PIPE SIZE/OUTLET TYPE)	ADD
IP	Threaded	2IP, 3IP, 4IP	N/C
NH	No-Hub (IP w/Z1040)	2NH, 3NH, 4NH	N/C
SUFFIXES			
			ADD
-G	Galvanized Cast Iron		242.00
-TS	Secured Top		58.00
-VP	Vandal-Proof Secured Top		58.00
-90	Threaded Side Outlet Body		N/C
BEST SELLERS			LIST PRICE
ZN189-3IP			1,672.00
Z189-4NH			671.00

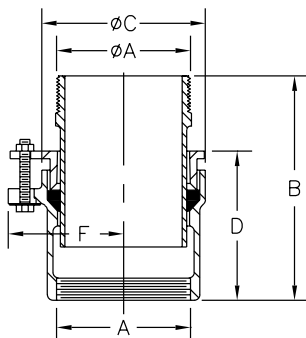
## Z190 VERTICAL EXPANSION JOINT



### ENGINEERING SPECIFICATION

Zurn ZRB190 vertical expansion joint features Dura-Coated cast iron body, packing gland, and siliconed bronze sleeve with preformed neoprene packing gasket.

Dimensions in inches [mm]						Approximate Weight lb [kg]
A	B		C	D	F	
	Min.	Max.				
2 [51]			3-5/8 [92]	5 [127]	2-3/4 [70]	8 [4]
3 [76]	6-1/2 [165]	8-1/2 [216]	4-5/8 [117]		3-1/4 [83]	11 [5]
4 [102]			5-1/2 [140]	4-3/4 [121]	3-3/4 [95]	13 [6]
6 [152]	6-7/8 [175]	8-5/8 [219]	7-7/8 [200]	5 [127]	5 [127]	25 [11]
8 [203]	7-7/8 [200]	10-7/8 [276]	9-7/8 [251]		6 [152]	35 [16]
10 [254]			11-3/4 [298]	6 [152]	6-7/8 [175]	45 [20]



PREFIXES	DESCRIPTION	PIPE SIZE	LIST PRICE
ZRB190*	D.C.C.I. Body with Polished Bronze Sleeve	2"	660.00
		3"	704.00
		4"	798.00
		6"	1,328.00
		8"	2,343.00
		10"	4,875.00

OUTLETS (SPECIFY PIPE SIZE IN INCHES AND TYPE OF OUTLET)				
OUTLET TYPE		OUTLET DESIGNATION (PIPE SIZE/OUTLET TYPE)	'D' BODY HT. DIM.	ADD
IP	Threaded	2IP, 3IP, 4IP, 6IP, 8IP, 10IP	(See Chart)	N/C
NH	No-Hub	2NH, 3NH, 4NH, 6NH, 8NH, 10NH	(See Chart)	N/C
SUFFIXES				
			ADD	
-G	Galvanized Cast Iron			180.00
BEST SELLERS			LIST PRICE	
ZRB190-4NH			798.00	
ZRB190-8IP			2,343.00	

For additional product information, please visit [www.zurn.com](http://www.zurn.com).

\*Regularly furnished unless otherwise specified.

Items designated as Best Sellers are most specified and are generally in stock for shipment.

Ⓢ This symbol denotes a product that is engineered to reduce installation and rework time.

## Z191 5" X 4" X 24" DOWNSPOUT BOOT

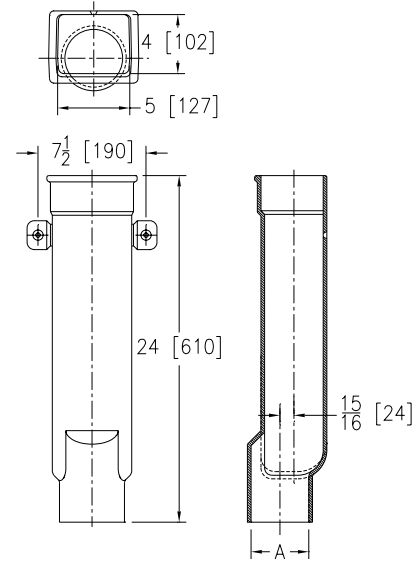


### ENGINEERING SPECIFICATION

Zurn Z191 5" x 4" x 24" downspout boot features Dura-Coated cast iron body and strap with 1/4" diameter cast holes for flat-head bolts.

Product Designation	Dimensions in inches [mm]		Approximate Weight lb [kg]
	Size	A	
-24	5 [127] x 4 [102] x 24 [610]	4 [102]	30 [14]

PREFIXES	DESCRIPTION	A PIPE SIZE	LIST PRICE
Z191*	D.C.C.I. Body	4"	1,314.00
<b>OUTLETS (SPECIFY PIPE SIZE IN INCHES AND TYPE OF OUTLET)</b>			
OUTLET TYPE	OUTLET DESIGNATION (PIPE SIZE/OUTLET TYPE)		ADD
NH	No-Hub	4NH	N/C
<b>SUFFIXES</b>			<b>ADD</b>
-CA	Cleanout Access with Plug		678.00
-G	Galvanized Cast Iron		972.00
<b>BEST SELLERS</b>			<b>LIST PRICE</b>
Z191-24			1,314.00
Z191-24-CA			1,992.00
Z191-24-G			2,286.00



## Z191-RD 4" X 18" DOWNSPOUT BOOT

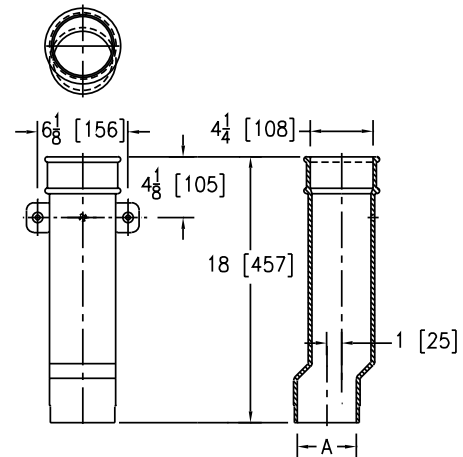


### ENGINEERING SPECIFICATION

Zurn Z191-RD 4" x 18" downspout boot features Dura-Coated cast iron body, round inlet and outlet, and strap with 1/4" diameter cast holes for flat-head bolts.

Product Designation	Dimensions in inches [mm]		Approximate Weight lb [kg]
	Size	A	
-18	4 [102] x 18 [457]	4 [102]	20 [9]

PREFIXES	DESCRIPTION	A PIPE SIZE	LIST PRICE
Z191-RD*	D.C.C.I. Body	4"	911.00
<b>OUTLETS (SPECIFY PIPE SIZE IN INCHES AND TYPE OF OUTLET)</b>			
OUTLET TYPE	OUTLET DESIGNATION (PIPE SIZE/OUTLET TYPE)		ADD
NH	No-Hub	4NH	N/C
<b>SUFFIXES</b>			<b>ADD</b>
-CA	Cleanout Access with Plug		678.00
-G	Galvanized Cast Iron		972.00
<b>BEST SELLERS</b>			<b>LIST PRICE</b>
Z191-RD-18			911.00
Z191-RD-18-CA			1,589.00



\*Regularly furnished unless otherwise specified.

Items designated as Best Sellers are most specified and are generally in stock for shipment.

🕒 This symbol denotes a product that is engineered to reduce installation and rework time.

For additional product information, please visit [www.zurn.com](http://www.zurn.com).

## Z192 4" X 3" DOWNSPOUT BOOT



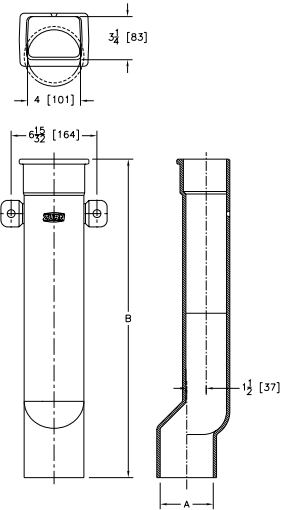
### ENGINEERING SPECIFICATION

Zurn Z192 4" x 3" downspout boot features Dura-Coated cast iron body and strap with 1/4" diameter cast holes for flat head bolts.

Product Designation	Dimensions in inches [mm]			Approximate Weight lb [kg]
	Size	A	B	
-12	4 [102] x 3 [76] x 12 [305]	4 [102]	12 [305]	14 [6]
-18	4 [102] x 3 [76] x 18 [457]		18 [457]	20 [9]
-24	4 [102] x 3 [76] x 24 [610]		24 [610]	27 [12]

PREFIXES	DESCRIPTION	PRODUCT DESIGNATION	LIST PRICE
Z192*	D.C.C.I. Body	-12	626.00
		-18	824.00
		-24	1,471.00

OUTLETS (SPECIFY PIPE SIZE IN INCHES AND TYPE OF OUTLET)			
OUTLET TYPE		OUTLET DESIGNATION (PIPE SIZE/OUTLET TYPE)	ADD
NH	No Hub	4NH	N/C
SUFFIXES			
			ADD
-CA	Cleanout Access with Plug		678.00
-G	Galvanized Cast Iron		527.00



BEST SELLERS	LIST PRICE
Z192-12	626.00
Z192-12-CA	1,304.00
Z192-18	824.00
Z192-18-CA	1,502.00
Z192-24	1,471.00
Z192-24-CA	2,149.00

## Z193 VANDAL-PROOF HOODED VENT CAP



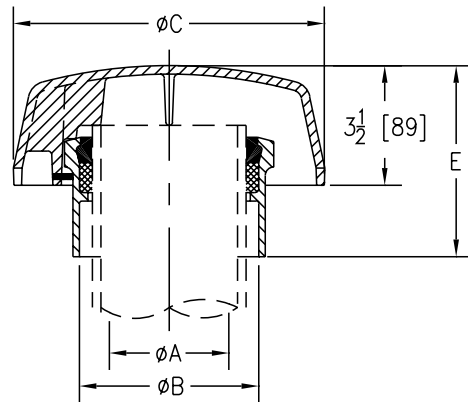
### ENGINEERING SPECIFICATION

Zurn Z193 vandal-proof vent cap features Dura-Coated cast iron body and hooded dome cap, vandal-proof securing device.

Dimensions in inches [mm]			Open Area Sq.	Approximate Weight lb [kg]
A	B	C		
1-1/2 [38], 2 [51]	3-1/8 [79]	6-3/8 [162]	2 : 1	9 [4]
3 [76]	4-3/16 [106]	7-5/8 [194]		12 [5]
4 [102]	5-1/4 [133]	9-1/8 [232]		14 [6]
5 [127]	6-3/16 [157]	10-1/8 [257]		16 [7]
6 [152]	7-3/16 [183]	11-5/8 [295]		18 [8]

PREFIXES	DESCRIPTION	PIPE SIZE	LIST PRICE
Z193*	D.C.C.I. Body and Dome Cap	1-1/2", 2"	417.00
		3"	472.00
		4"	527.00
		5"	618.00
		6"	673.00

OUTLETS (SPECIFY PIPE SIZE IN INCHES AND TYPE OF OUTLET)				
OUTLET TYPE		OUTLET DESIGNATION (PIPE SIZE/OUTLET TYPE)	E BODY HT. DIM.	ADD
IC	Inside Caulk	1.5IC, 2IC	5-11/16"	N/C
		3IC, 4IC, 5IC, 6IC	5-9/16"	N/C
SUFFIXES				ADD
-G	Galvanized Cast Iron			171.00



BEST SELLERS	LIST PRICE
Z193-2IC	417.00
Z193-3IC	472.00
Z193-4IC	527.00

For additional product information, please visit [www.zurn.com](http://www.zurn.com).

\*Regularly furnished unless otherwise specified.

Items designated as Best Sellers are most specified and are generally in stock for shipment.

Ⓢ This symbol denotes a product that is engineered to reduce installation and rework time.

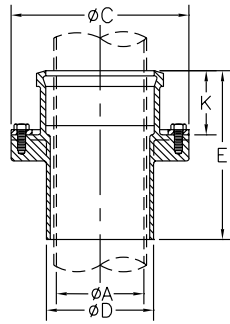
## Z195 VENT STACK FLASHING SLEEVE



### ENGINEERING SPECIFICATION

Zurn Z195 vent stack flashing sleeve features Dura-Coated cast iron body with fixed position combination membrane flashing flange and clamp.

Dimensions in inches [mm]				Approximate Weight lb [kg]
A	C	D	K	
2 [51]	6-1/2 [165]	3-1/8 [79]	3 [76]	11 [5]
3 [76]		4-1/4 [108]	3-1/8 [79]	13 [6]
4 [102]	8-1/2 [216]	5-1/4 [133]		
5 [127]	9-1/2 [241]	6-1/2 [165]	2-1/2 [64]	20 [9]
6 [152]	10-1/2 [267]	7-1/2 [191]	3-1/8 [79]	26 [12]
8 [203]	14-1/2 [368]	9-3/4 [248]	2-3/4 [70]	52 [24]



PREFIXES	DESCRIPTION	PIPE SIZE	LIST PRICE
Z195*	D.C.C.I. Body	2"	326.00
		3", 4"	531.00
		5", 6"	970.00
		8"	1,128.00

OUTLETS (SPECIFY PIPE SIZE IN INCHES AND TYPE OF OUTLET)				
OUTLET TYPE		OUTLET DESIGNATION (PIPE SIZE/OUTLET TYPE)	E BODY HT. DIM.	ADD
IC	Inside Caulk	2IC	8"	N/C
		3IC, 4IC, 6IC	8-1/8"	N/C
		5IC	8-1/2"	N/C
		8IC	8-3/4"	N/C

SUFFIXES				ADD
-CF	Bottom Clamping Flange	D.C.	2" thru 6"	142.00
			8"	267.00
		Galv.	2" thru 6"	200.00
			8"	365.00
-G	Galvanized Cast Iron			266.00

SEE LEGACY ADDENDUM ON PAGE 369 FOR MORE INFORMATION

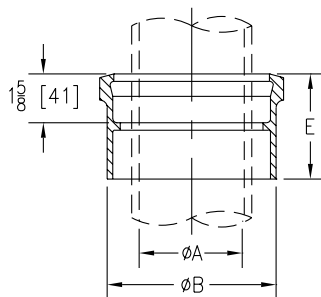
## Z196 VENT STACK FLASHING SLEEVE



### ENGINEERING SPECIFICATION

Zurn Z196 vent stack flashing sleeve features Dura-Coated cast iron body, inside caulk type.

Dimensions in inches [mm]		Approximate Weight lb [kg]
A	B	
1-1/2 [38]	3 [76]	2 [10]
2 [51]	3-1/2 [89]	3 [1]
3 [76]	4-3/4 [121]	4 [2]
4 [102]	5-5/8 [143]	
6 [152]	7-3/4 [197]	7 [3]



PREFIXES	DESCRIPTION	PIPE SIZE	LIST PRICE
Z196*	D.C.C.I. Body	1-1/2", 2"	62.00
		3"	206.00
		4"	125.00
		6"	318.00

OUTLETS (SPECIFY PIPE SIZE IN INCHES AND TYPE OF OUTLET)				
OUTLET TYPE		OUTLET DESIGNATION (PIPE SIZE/OUTLET TYPE)	E BODY HT. DIM.	ADD
IC	Inside Caulk	1.5C, 2IC, 3IC, 4IC, 6IC	3-1/2"	N/C

SUFFIXES				ADD
-G	Galvanized Cast Iron			81.00

SEE LEGACY ADDENDUM ON PAGE 369 FOR MORE INFORMATION

\*Regularly furnished unless otherwise specified.

Items designated as Best Sellers are most specified and are generally in stock for shipment.

⌚ This symbol denotes a product that is engineered to reduce installation and rework time.

For additional product information, please visit [www.zurn.com](http://www.zurn.com).

## Z197 RISER SLEEVE



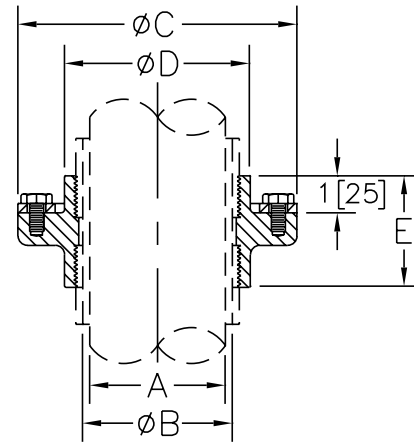
### ENGINEERING SPECIFICATION

Zurn Z197 riser sleeve features Dura-Coated cast iron body, double threaded pipe connector with combination membrane flashing flange. (Pipe sleeve furnished by others.)

Dimensions in inches [mm]					Approximate Weight lb [kg]
A	B	C	D	E	
1-1/2 [38]	2-1/2 [64]	6-1/2 [165]	4 [102]	2-3/4 [70]	6 [3]
2 [51]	3 [76]				7 [3]
3 [76]	4 [102]				9 [4]
4 [102]	5 [127]	8-1/2 [216]	6 [152]	3-1/4 [83]	10 [5]
5 [127]	6 [152]	9-1/2 [241]	7-1/8 [181]	3-3/8 [86]	13 [6]
6 [152]	8 [203]	11-7/8 [302]	9-3/8 [238]	3-5/8 [92]	19 [9]

PREFIXES	DESCRIPTION	PIPE SIZE	LIST PRICE
Z197*	D.C.C.I. Body	1-1/2"	420.00
		2", 3"	442.00
		4"	615.00
		5"	626.00
		6"	889.00

OUTLETS (SPECIFY PIPE SIZE IN INCHES AND TYPE OF OUTLET)			
OUTLET TYPE		OUTLET DESIGNATION (PIPE SIZE/OUTLET TYPE)	ADD
IP	Threaded	1.5IP, 2IP, 3IP, 4IP, 5IP, 6IP	N/C
SUFFIXES			
-G Galvanized Cast Iron			250.00
SEE LEGACY ADDENDUM ON PAGE 369 FOR MORE INFORMATION			



## Z198 PARAPET SCUPPER SLEEVE



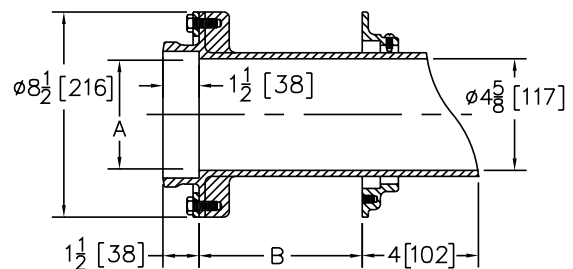
### ENGINEERING SPECIFICATION

Zurn Z198 parapet scupper sleeve features Dura-Coated cast iron body with fixed position combination membrane flashing flange and clamp and parapet wall face closing.

Product Designation	Dimensions in inches [mm]		Approximate Weight lb [kg]
	A Pipe Size	B Wall Thickness	
-8	4 [102]	8-1/2 [216]	26 [12]
-11		11 [279]	29 [13]
-13		13-1/2 [343]	31 [14]
-17		17-1/2 [445]	35 [16]
-22		22-1/2 [572]	40 [18]

PREFIXES	DESCRIPTION	PRODUCT DESIGNATION	LIST PRICE
Z198*	D.C.C.I. Body	-8, -11	937.00
		-13	2,028.00
		-17	1,313.00
		-22	1,403.00

OUTLETS (SPECIFY PIPE SIZE IN INCHES AND TYPE OF OUTLET)			
OUTLET TYPE		OUTLET DESIGNATION (PIPE SIZE/OUTLET TYPE)	ADD
HB	Hub	4HB	N/C
SUFFIXES			
-G Galvanized Cast Iron			233.00
SEE LEGACY ADDENDUM ON PAGE 369 FOR MORE INFORMATION			

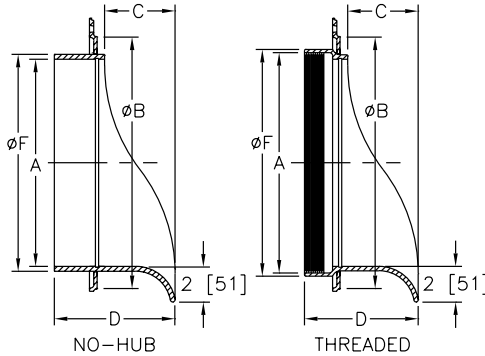


# Z199 DOWNSPOUT NOZZLE



## ENGINEERING SPECIFICATION

Zurn ZANB199 downspout nozzle features all nickel bronze body, optional threaded or no-hub inlet and decorative face of wall flange and outlet nozzle.



PREFIXES	DESCRIPTION	PIPE SIZE	LIST PRICE
<b>ZANB199*</b>	All Nickel Bronze Body	2", 3", 4"	1,078.00
		5", 6"	1,938.00
		8"	2,651.00
		10"	3,463.00
		12"	4,286.00
<b>ZAB199</b>	All Polished Bronze Body	2", 3", 4"	973.00
		5", 6"	1,746.00
		8"	2,554.00
		10"	3,318.00
		12"	4,107.00
<b>ZARB199</b>	All Plain Bronze Body	2", 3", 4"	630.00
		5", 6"	1,492.00
		8"	2,259.00
		10"	2,933.00
		12"	3,691.00
OUTLETS (SPECIFY PIPE SIZE IN INCHES AND TYPE OF OUTLET)			
OUTLET TYPE		OUTLET DESIGNATION (PIPE SIZE/OUTLET TYPE)	ADD
IP	Threaded	2IP, 3IP, 4IP, 5IP, 6IP, 8IP, 10IP, 12IP	N/C
PVC	IP Threaded	2PVC, 3PVC, 4PVC, 5PVC, 6PVC, 8PVC, 10PVC, 12PVC	N/C
NH	No-Hub	2NH, 3NH, 4NH, 5NH, 6NH, 8NH, 10NH, 12NH	N/C
SUFFIXES			ADD
-SS		Removable Stainless Screen	552.00

Dimensions in inches [mm]							Approximate Weight lb [kg]
A	B	C	D		F		
			IP/PVC	NH	IP/PVC	NH	
2 [51]	4-1/2 [114]	2-5/8 [67]	4-1/2 [114]	4-1/2 [114]	2-13/16 [71]	2-3/8 [60]	5 [2]
3 [76]	5-1/2 [140]	2-5/8 [67]			3-15/16 [100]	3-3/8 [86]	6 [3]
4 [102]	6-5/8 [168]	2-43/64 [68]			4-15/16 [125]	4-3/8 [111]	7 [3]
5 [127]	7-5/8 [194]	3-1/16 [78]	4-59/64 [125]	5-15/32 [139]	6-1/16 [154]	5-5/16 [135]	12 [5]
6 [152]	8-5/8 [219]	3-3/32 [79]			7-1/8 [181]	6-5/16 [160]	13 [6]
8 [203]	10-5/8 [270]	2-31/32 [75]			5-25/32 [147]	9-1/8 [232]	8-3/8 [213]
10 [254]	12-5/8 [321]	3-1/2 [89]	5-53/64 [148]	6-5/16 [160]	11-5/32 [283]	10-9/16 [268]	15 [7]
12 [305]	14-5/8 [371]	4-5/64 [104]	6-13/32 [163]	6-57/64 [175]	13-5/32 [334]	12-1/2 [318]	18 [8]

BEST SELLERS	LIST PRICE
ZAB199-2NH	973.00
ZAB199-3IP	973.00
ZAB199-4IP-SS	1,525.00
ZAB199-4NH	973.00
ZAB199-6IP	1,746.00
ZAB199-6NH-SS	2,298.00
ZAB199-8IP-SS	3,106.00
ZAB199-8NH-SS	3,106.00
ZANB199-10IP	3,463.00
ZANB199-10NH	3,463.00
ZANB199-10-PVC	3,463.00
ZANB199-12NH	4,286.00
ZANB199-2IP	1,078.00
ZANB199-3IP	1,078.00
ZANB199-3NH-SS	1,630.00
ZANB199-3-PVC	1,078.00
ZANB199-4IP	1,078.00
ZANB199-4IP-SS	1,630.00
ZANB199-4NH-SS	1,630.00
ZANB199-4-PVC	1,078.00
ZANB199-6IP	1,938.00

BEST SELLERS	LIST PRICE
ZANB199-6NH	1,938.00
ZANB199-6NH-SS	2,490.00
ZANB199-6-PVC	1,938.00
ZANB199-8IP	2,651.00
ZANB199-8IP-SS	3,203.00
ZANB199-8NH	2,651.00
ZANB199-8-PVC	2,651.00
ZARB199-10NH	2,933.00
ZARB199-12NH-SS	4,243.00
ZARB199-12-PVC	3,691.00
ZARB199-2IP	630.00
ZARB199-3IP	1,182.00
ZARB199-3NH-SS	1,182.00
ZARB199-3-PVC	1,182.00
ZARB199-4IP	630.00
ZARB199-4IP-SS	1,182.00
ZARB199-4-PVC	630.00
ZARB199-4-PVC-SS	1,182.00
ZARB199-5IP	1,492.00
ZARB199-6IP	1,492.00
ZARB199-6-PVC	1,492.00

\*Regularly furnished unless otherwise specified.

Items designated as Best Sellers are most specified and are generally in stock for shipment.

⌚ This symbol denotes a product that is engineered to reduce installation and rework time.

For additional product information, please visit [www.zurn.com](http://www.zurn.com).

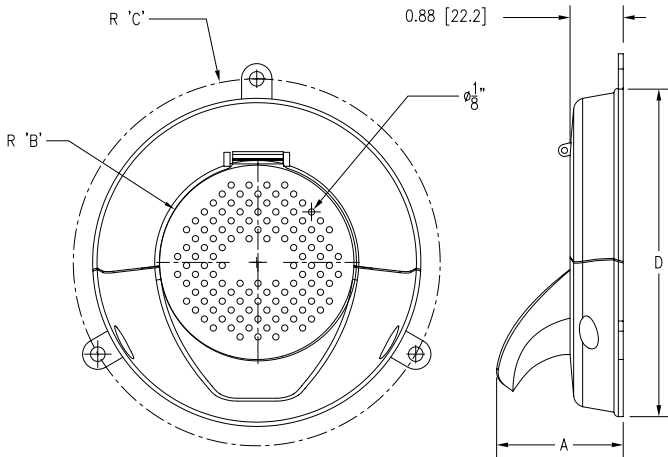
INTRO ROOF DRAINS FLOOR DRAINS T, P, BW VALVES INTERCEPTORS CARRIERS HYDRANTS CLEANOUTS WHA SS DRAINS FAB SS DRAINS SANI-FLOOR TECH INFO

## ZF199 CHAMELEON DOWNSPOUT NOZZLE WITH FLAPPER



### ENGINEERING SPECIFICATION

Downspout nozzle, all aluminum body, downspout gasket for cast iron or PVC inlet with powder coated face of wall flange, outlet nozzle, and perforated hinged flapper.



PREFIXES	DESCRIPTION	PIPE SIZE	LIST PRICE
ZF199	All Aluminum Body*	2"	1,182.00
		3"	1,182.00
		4"	1,182.00
		6"	2,044.00
		8"	2,811.00
		10"	3,485.00

### OUTLETS (SPECIFY PIPE SIZE IN INCHES AND TYPE OF OUTLET)

OUTLET TYPE	DESCRIPTION	OUTLET DESIGNATION (PIPE SIZE/OUTLET TYPE)	ADD
DSG	Downspout Gasket	2DSG, 3DSG, 4DSG, 6DSG, 8DSG, 10DSG	N/C

### COLORS (MUST SPECIFY COLOR)

COLORS (MUST SPECIFY COLOR)	DESCRIPTION	ADD
-BW	Bone White Powder Coating	-
-JB	Jet Black Powder Coating	-
-MB	Medium Bronze Powder Coating	-
-SAN	Sandstone Powder Coating	-
-SGR	Satin Gray Powder Coating	-

Pipe Size	Dimensions in inches [mm]				Approximate Weight lb [kg]
	A	B	C	D	
2 [51]	2.5 [6.4]	1 [2.5]	2.7 [69]	5.31 [135]	0.51 [0.23]
3 [76]	2.5 [6.4]	1.5 [38]	3.27 [83]	5.75 [146]	1.07 [0.49]
4 [102]	2.5 [6.4]	2 [51]	3.77 [96]	6.75 [171]	1.11 [0.50]
6 [152]	2.5 [6.4]	3 [76]	4.77 [121]	8.75 [222]	1.75 [0.79]
8 [203]	2.5 [6.4]	4 [102]	5.84 [148]	10.85 [275]	2.53 [1.15]
10 [254]	2.5 [6.4]	5 [127]	6.90 [175]	13.71 [348]	3.21 [1.46]

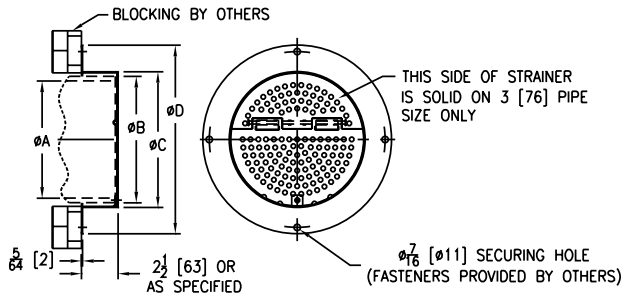


# Z199-DC DOWNSPOUT COVER



## ENGINEERING SPECIFICATION

Zurn ZS199-DC downspout cover features round fabricated stainless steel frame with fabricated, secured, perforated, stainless steel hinged strainer.



PREFIXES	DESCRIPTION	PIPE SIZE	LIST PRICE
ZS199-DC*	Type 304 Stainless Steel	3"	2,908.00
		4"	2,908.00
		6"	3,068.00
		8"	3,220.00
		10"	3,407.00
		12"	3,610.00
		15"	3,817.00

SUFFIXES	DESCRIPTION	ADD	LIST PRICE
-CP	Chrome Plated		514.00
-VP	Vandal Proof Secured Top		150.00
-5	5" Long Downspout Frame	3"	N/C
		4"	N/C
		6"	5,000.00
		8"	6,000.00
		10"	6,000.00
		12"	6,000.00
		15"	6,000.00

BEST SELLERS	LIST PRICE
ZS199-3-DC	2,908.00
ZS199-4-DC	2,908.00
ZS199-6-DC	3,068.00
ZS199-10-DC	3,407.00
ZS199-12-DC	3,610.00

Dimensions in inches [mm]				Strainer Open Area sq in [cm <sup>2</sup> ]
A	B	C	D	
3 [76]	3-1/2 [89]	4-1/4 [108]	7-7/8 [200]	1-1/2 [9.7]
4 [102]	4-1/2 [114]	5-5/32 [131]	8-3/4 [222]	3-5/16 [21]
6 [152]	6-5/8 [168]	7-1/4 [184]	10-7/8 [276]	5-1/2 [35]
8 [203]	8-5/8 [219]	9-1/4 [235]	12-7/8 [327]	10-5/16 [67]
10 [254]	10-3/4 [273]	11-3/8 [289]	15 [381]	17-13/16 [50]
12 [305]	12-3/4 [324]	13-3/8 [340]	17 [432]	27 [174]
15 [381]	15-7/8 [403]	16-1/2 [419]	20-1/8 [511]	43-5/16 [279]

\*Regularly furnished unless otherwise specified.

Items designated as Best Sellers are most specified and are generally in stock for shipment.

⌚ This symbol denotes a product that is engineered to reduce installation and rework time.

For additional product information, please visit [www.zurn.com](http://www.zurn.com).

INTRO ROOF DRAINS FLOOR DRAINS T, P, BW VALVES INTERCEPTORS CARRIERS HYDRANTS CLEANOUTS W/HA SS DRAINS FAB SS DRAINS SANI-FLOOR TECH INFO

# ZF7000 FLOW SENSOR

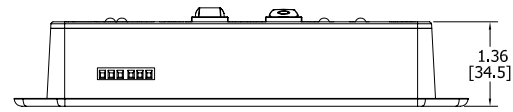
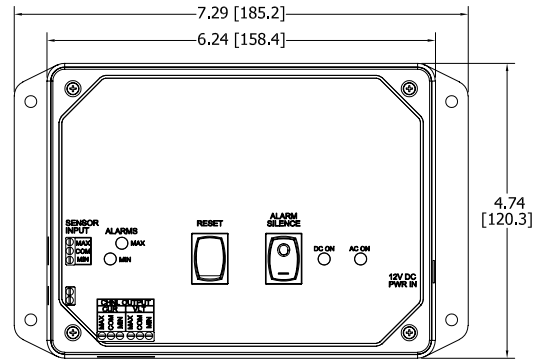


## ENGINEERING SPECIFICATION

Froet™ flow sensor. Indication of a primary system blockage or excessive flow through the outlet pipe. Outputs are current or voltage that will provide for connection to building management systems or control valve actuators. Power is supplied to the unit from a 120 volt to 12 volt plug in transformer included with the sensor.

PREFIXES	DESCRIPTION	LIST PRICE
ZF7001	Single Channel Flow Sensor Control Module	1,554.00
ZF7005	5 Channel Flow Sensor Control Module	2,476.00
SUFFIXES		ADD
-BMS	Building Management System for Flow Sensor(s)	3,897.00

Approximate Weight oz [g]
9.4 [265]



INTRO  
 ROOF DRAINS  
 FLOOR DRAINS  
 T, P, BW VALVES  
 INTERCEPTORS  
 CARRIERS  
 HYDRANTS  
 CLEANOUTS  
 WHA  
 SS DRAINS  
 FAB SS DRAINS  
 SANI-FLO  
 TECH INFO

# FLOOR DRAINS

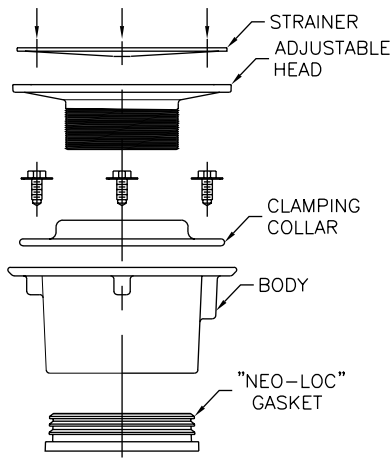
FLOOR DRAINS - GENERAL INFORMATION	65	⌚ <b>Z499S</b> SQUARE PROTECTIVE COVER FOR FLOOR DRAINS	84
FLOOR DRAINS - APPLICATION INDEX	65	⌚ <b>Z415-BZ1</b> BODY ASSEMBLY W/ "TYPE B" STRAINER AND EZI™ TECHNOLOGY	85
CAST IRON EZI™ NOMENCLATURE DECODER	66	⌚ <b>Z415-SZ1</b> BODY ASSEMBLY W/ "TYPE S" STRAINER AND EZI™ TECHNOLOGY	86
<b>Z300</b> THOROFLUSH DRAIN	67	⌚ <b>Z415-BZ1-DP</b> BODY ASSEMBLY W/ "TYPE B" STRAINER, DECK PLATE AND EZI™ TECHNOLOGY	87
<b>Z310</b> THOROFLUSH DRAIN	67	⌚ <b>Z415-SZ1-DP</b> BODY ASSEMBLY W/ "TYPE S" STRAINER, DECK PLATE AND EZI™ TECHNOLOGY	88
<b>Z315</b> VANDAL-PROOF ACCESS DRAIN	68	⌚ <b>Z415B-DP</b> BODY ASSEMBLY W/ "TYPE B" STRAINER AND DECK PLATE	89
<b>Z319</b> THOROFLUSH DRAIN - LARGE CAPACITY	68	⌚ <b>Z415S-DP</b> BODY ASSEMBLY W/ "TYPE S" STRAINER AND DECK PLATE	90
<b>Z320</b> REFRIGERATOR DRAIN	69	<b>Z415</b> BODY ASSEMBLY WITH HEEL-PROOF "TYPE B" STRAINER	91
<b>Z325</b> INDIRECT WASTE FUNNEL WITH INTEGRAL BACKWATER VALVE	69	<b>ZS415</b> BODY ASSEMBLY WITH "TYPE BS" STRAINER	92
<b>Z326</b> INDIRECT WASTE FUNNEL	70	<b>Z415</b> BODY ASSEMBLY WITH "TYPE BL" STRAINER	93
<b>Z328</b> FUNNEL CONVERTING ASSEMBLY	70	⌚ <b>Z415</b> BODY ASSEMBLY WITH "TYPE BZ" LEVELING STRAINER	94
<b>Z329</b> FUNNEL CONVERTING ASSEMBLY	71	<b>Z415</b> BODY ASSEMBLY WITH "TYPE C" STRAINER	95
<b>Z349</b> TERRACE PLANTING AREA DRAIN	72	<b>Z415</b> BODY ASSEMBLY WITH "TYPE D" STRAINER	96
<b>Z350</b> PLANTING AREA DRAIN	72	<b>Z415</b> BODY ASSEMBLY WITH "TYPE E" STRAINER	97
<b>Z355</b> PRISON CELL FLOOR DRAIN	73	<b>Z415</b> BODY ASSEMBLY WITH "TYPE G" STRAINER	98
<b>Z400</b> "TYPE B" ROUND STRAINER WITH HEEL-PROOF SQUARE OPENINGS	73	<b>Z415</b> BODY ASSEMBLY WITH "TYPE H" STRAINER	99
<b>ZS400</b> "TYPE BS" ROUND STRAINER WITH SLOTTED OPENINGS	74	<b>Z415</b> BODY ASSEMBLY WITH "TYPE I" STRAINER	100
<b>Z400</b> "TYPE BL" ROUND STRAINER WITH DEX-O-TEX FLANGE	74	<b>Z415</b> BODY ASSEMBLY WITH "TYPE J" HEEL-PROOF STRAINER	101
⌚ <b>Z400</b> "TYPE BZ" ROUND LEVELING STRAINER WITH SQUARE OPENINGS	75	<b>Z415</b> BODY ASSEMBLY WITH "TYPE K" STRAINER	102
<b>Z400</b> "TYPE C" ROUND HINGED STRAINER	75	<b>Z415</b> BODY ASSEMBLY WITH "TYPE M" STRAINER AND SUR-SET BUCKET	103
<b>Z400</b> "TYPE D" ROUND STRAINER WITH SOLID HINGED COVER	76	<b>Z415</b> BODY ASSEMBLY WITH "TYPE N" STRAINER	104
<b>Z400</b> "TYPE E" ROUND STRAINER WITH INTEGRAL FUNNEL	76	<b>Z415</b> BODY ASSEMBLY WITH "TYPE S" STRAINER	105
<b>Z400</b> "TYPE G" ROUND STRAINER WITH DOME	76	<b>ZS415</b> BODY ASSEMBLY WITH "TYPE SS" STRAINER	106
<b>Z400</b> "TYPE H" ROUND STRAINER WITH CLAMP DEVICE	77	<b>Z415</b> BODY ASSEMBLY WITH "TYPE SC" STRAINER	107
<b>Z400</b> "TYPE I" ROUND STRAINER WITH RAISED LIP	77	<b>Z415</b> BODY ASSEMBLY WITH "TYPE SH" STRAINER	108
<b>Z400</b> "TYPE J" RECTANGULAR STRAINER WITH HEEL-PROOF SLOTTED OPENINGS	78	<b>Z415</b> BODY ASSEMBLY WITH "TYPE SL" STRAINER	109
<b>Z400</b> "TYPE K" ANGULAR STRAINER	78	⌚ <b>Z415</b> BODY ASSEMBLY WITH "TYPE SZ" LEVELING STRAINER	110
<b>Z400</b> "TYPE M" ROUND STRAINER WITH SLOTTED OPENINGS AND SUR-SET BUCKET	79	<b>Z420</b> DEEP SHANK FLOOR AND SHOWER DRAIN FOR MARBLE AND GRANITE APPLICATIONS	111
<b>Z400</b> "TYPE N" ROUND STRAINER WITH DEEP FLANGED GRATE	79	<b>Z450</b> DRUM TRAP DRAIN WITH "TYPE B" STRAINER	112
<b>Z400</b> "TYPE S" SQUARE STRAINER	80	<b>Z451</b> SHALLOW TRAP DRAIN WITH "TYPE B" STRAINER	113
<b>ZS400</b> "TYPE SS" SQUARE STRAINER	80	<b>Z453</b> DEEP SEAL TRAP DRAIN WITH "TYPE B" STRAINER	114
<b>Z400</b> "TYPE SC" SQUARE STRAINER WITH SOLID HINGED COVER	81	<b>Z455</b> TRAP DRAIN WITH FLOOR CLEANOUT WITH "TYPE B" STRAINER	115
<b>Z400</b> "TYPE SH" SQUARE HINGED STRAINER	81	<b>Z456</b> DEEP SEAL TRAP DRAIN WITH FLOOR CLEANOUT AND CLAMP COLLAR WITH "TYPE B" STRAINER	116
<b>Z400</b> "TYPE SL" SQUARE STRAINER WITH DEX-O-TEX FLANGE	81	<b>Z460B</b> SHALLOW BODY FLOOR DRAIN WITH SIDE OUTLET AND "TYPE B" STRAINER	117
⌚ <b>Z400</b> "TYPE SZ" SQUARE LEVELING STRAINER WITH SLOTTED OPENINGS	82		
⌚ <b>Z400-SR</b> FLOOR DRAIN STABILIZER RING	83		
<b>Z400-U</b> ADJUSTABLE STRAINER EXTENSION	83		
⌚ <b>Z400-18</b> LEVELING RING	83		
⌚ <b>Z499B</b> ROUND PROTECTIVE COVER FOR FLOOR DRAINS	84		

<b>Z461</b> 6" SQUARE MODULAR NON-ADJUSTABLE FLOOR DRAIN WITH CLAMPING FRAME	<b>118</b>	<b>Z629</b> VERTICAL WALL DRAIN WITH BACKWATER VALVE	<b>147</b>
<b>Z503</b> 15" HEAVY-DUTY AREA DRAIN	<b>118</b>	<b>Z645</b> 12-1/2" X 12-1/2" HEAVY-DUTY DRAIN	<b>148</b>
<b>Z505</b> 12" HEAVY-DUTY DRAIN	<b>119</b>	<b>Z662</b> 16" HEAVY-DUTY DRAIN	<b>149</b>
<b>Z507</b> 7" MEDIUM-DUTY DRAIN	<b>120</b>	<b>Z662-HF</b> 16" HEAVY-DUTY DRAIN WITH HIGH FLOW DUCTILE IRON GRATE	<b>150</b>
<b>Z508</b> 9" EXTRA-HEAVY-DUTY DRAIN	<b>121</b>	<b>Z664</b> 6" WIDE HEAVY-DUTY MODULAR TRENCH DRAIN	<b>151</b>
<b>Z509</b> 12" HEAVY-DUTY DRAIN	<b>122</b>	<b>Z665</b> 12" WIDE HEAVY-DUTY MODULAR TRENCH DRAIN	<b>152</b>
<b>Z511</b> 9" HEAVY-DUTY DRAIN	<b>123</b>	<b>Z667</b> 6" WIDE MEDIUM-DUTY MODULAR TRENCH DRAIN	<b>153</b>
<b>Z512</b> 12-1/4" HEAVY-DUTY DRAIN	<b>124</b>	<b>Z668</b> 11-1/4" X 19-1/4" HEAVY-DUTY DRAIN	<b>153</b>
<b>Z513</b> 9" SQUARE HINGED HEAVY-DUTY DRAIN	<b>125</b>	<b>Z673</b> 29" X 30" EXTRA HEAVY-DUTY DRAIN	<b>154</b>
<b>Z520</b> 9" ADJUSTABLE HEAVY-DUTY DRAIN	<b>126</b>	<b>Z675</b> 13-1/2" EXTRA HEAVY-DUTY DRAIN	<b>155</b>
<b>Z521</b> 12" DIAMETER ADJUSTABLE HEAVY-DUTY DRAIN	<b>127</b>	<b>Z676</b> 13-1/2" EXTRA HEAVY-DUTY DRAIN	<b>155</b>
<b>Z526</b> 12" ADJUSTABLE HEAVY-DUTY DRAIN	<b>128</b>	<b>Z730</b> 9" TOP MEDIUM-DUTY DRAIN	<b>156</b>
<b>Z530</b> 9" MEDIUM-DUTY WIDE FLANGE DECK DRAIN	<b>129</b>	<b>Z742</b> LIGHT-DUTY TRAP DRAIN	<b>157</b>
<b>Z531</b> 9" ADJUSTABLE FRAME WIDE FLANGE MEDIUM-DUTY DECK DRAIN	<b>129</b>	<b>Z761</b> 12-1/2" X 12-1/2" HEAVY-DUTY DRAIN	<b>158</b>
<b>Z532</b> 12-1/4" DIAMETER WIDE FLANGE HEAVY-DUTY FLOOR DRAIN	<b>130</b>	<b>VP-DRIVER</b> VANDAL-PROOF DRIVER	<b>158</b>
<b>Z533</b> 9" DIAMETER HEAVY-DUTY PARKING DECK DRAIN WITH SUPPORT FLANGE	<b>130</b>		
<b>Z534</b> 12-1/4" DIAMETER HEAVY-DUTY PARKING DECK DRAIN WITH SUPPORT FLANGE	<b>131</b>		
<b>Z535</b> HEAVY-DUTY PARKING STRUCTURE DRAIN	<b>131</b>		
<b>Z536</b> 15-3/8" DIAMETER HEAVY-DUTY PARKING DECK DRAIN WITH SUPPORT FLANGE	<b>132</b>		
<b>Z537</b> 15-7/8" SQUARE TOP HEAVY-DUTY PARKING DECK DRAIN WITH SUPPORT FLANGE	<b>133</b>		
<b>Z539</b> 12-1/4" HEAVY-DUTY DRAIN WITH DEEP SUMP	<b>133</b>		
<b>Z540</b> 12-1/4" MEDIUM-DUTY DRAIN WITH SUR-SET BUCKET	<b>134</b>		
<b>Z541</b> 12-1/4" DIAMETER HEAVY-DUTY DRAIN	<b>135</b>		
<b>Z545</b> 16" DIAMETER HEAVY-DUTY DRAIN	<b>136</b>		
<b>Z546</b> 21-1/2" DIAMETER EXTRA HEAVY-DUTY DRAIN	<b>137</b>		
<b>Z547</b> 21" DIAMETER EXTRA HEAVY-DUTY HEEL-PROOF PARKING DECK DRAIN WITH SUPPORT FLANGE	<b>137</b>		
<b>Z550</b> 9" DIAMETER MEDIUM-DUTY DRAIN	<b>138</b>		
<b>Z551</b> 9" DIAMETER MEDIUM-DUTY DRAIN	<b>139</b>		
<b>Z554</b> 9" MEDIUM-DUTY DRAIN WITH SUR-SET BUCKET	<b>140</b>		
<b>Z556</b> 8" ADJUSTABLE HEAVY-DUTY DRAIN	<b>140</b>		
<b>Z566</b> 12" SQUARE OPEN TOP DRAIN	<b>141</b>		
<b>Z575</b> 6" X 12" MEDIUM-DUTY GUTTER DRAIN	<b>141</b>		
<b>Z587</b> 12-1/4" X 9-1/2" MEDIUM-DUTY DRAIN	<b>142</b>		
<b>Z609</b> 9" SQUARE HEAVY-DUTY DRAIN	<b>142</b>		
<b>Z610</b> 12-1/2" HEAVY-DUTY DRAIN	<b>143</b>		
<b>Z611</b> 9" MEDIUM-DUTY DRAIN	<b>144</b>		
<b>Z624</b> ISOLATION DECK DRAIN	<b>145</b>		
<b>Z625</b> ADJUSTABLE ISOLATION DECK DRAIN	<b>145</b>		
<b>Z627</b> HEAVY-DUTY ADJUSTABLE ISOLATION DECK DRAIN	<b>146</b>		

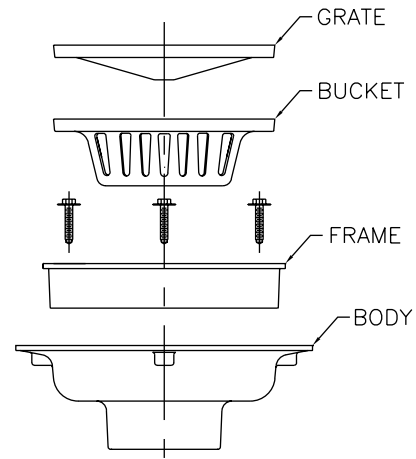
## FLOOR DRAINS - GENERAL INFORMATION

Zurn floor drains are generally made up of a body, combination frame/clamp collar and top grate. The assemblies shown below illustrate the more common components utilized in floor drains.

Zurn floor drains are available in 2" through 10" outlet sizes (and 12" for specific drains and outlet type) with Inside Caulk, Threaded, No-Hub and Neo-Loc connections.



Z415 "Type B" Illustrated



Z541 Illustrated

## FLOOR DRAINS - APPLICATION INDEX

The Zurn floor drains below are recommended for the applications listed. Most Zurn floor drains can be readily adapted for use in finished areas by using bronze or nickel bronze grates and strainers. (Use Prefix "ZB" or "ZN" preceding the product number in place of the usual "Z" Prefix.)

APPLICATION	RECOMMENDED FLOOR DRAIN
Automobile Parking Area	Z533, Z534, Z535, Z536, Z537, Z541, Z546, Z547, Z662, Z662-HF, Z761
Basement and Subterranean Areas	Z566, Z730
Boiler House and Maintenance Areas	Z541-90, Z546, Z645, Z761
Clinical, Surgical, Detention Areas	Z300, Z310, Z315, Z319, Z461
Entrances and Concourses	Z587, Z664, Z665, Z667
Finished Area/Gutter	Z460B, Z575
Finished Interior Floor Areas Adjustable	Z415-BZ1, Z415-SZ1, Z415-BZ1-DP, Z415-SZ1-DP, Z415B-DP, Z415S-DP, ZN415, ZS415, ZN450, Z451B, ZN453, ZN455, ZN456, Z460B, Z461
Finished Interior Floor Areas Adjustable with EZ1™ Technology (Post Pour Adjustment)	Z415-BZ1, Z415-SZ1, Z415-BZ1-DP, Z415-SZ1-DP
Food Preparation Areas	Z320, ZN610-SS (Also See Sani-Flor Receptors - Z1900 Series)
Garage, Hangar and Service Areas	Z546, Z664, Z665, Z667, Z673, Z675, Z676
Indirect Waste Area (Condensate and Drip)	Z325, Z326, Z328, Z329, Z566
Industrial Areas - Vertical Adjustment	Z520, Z521, Z526
Medium Duty	Z550, Z551, Z609, Z611, Z667, Z730
Heavy Duty	Z508, Z509, Z511, Z512, Z520, Z521, Z532, Z539, Z541, Z545, Z575
Extra Heavy Duty	Z546, Z503, Z512, Z541, Z610, Z645, Z662, Z664, Z668, Z673, Z675, Z676
Traps and Backwater Valves	Z730, Z761
Planting Area	Z349, Z350
Prison Cell (Multi-Purpose)	Z355
Roadways	Z546, Z610, Z668, Z673

\*Regularly furnished unless otherwise specified.

Items designated as Best Sellers are most specified and are generally in stock for shipment.

🕒 This symbol denotes a product that is engineered to reduce installation and rework time.

For additional product information, please visit [www.zurn.com](http://www.zurn.com)

# CAST IRON EZ1™ NOMENCLATURE DECODER

INTRO  
ROOF DRAINS  
FLOOR DRAINS  
T, P, BW VALVES  
INTERCEPTORS  
CARRIERS  
HYDRANTS  
CLEANOUTS  
WHA  
SS DRAINS  
FAB SS DRAINS  
SANI-FLOR  
TECH INFO

**SHIM KIT** .....  
Shims built into the rough-in cover for tilt adjustment, screws included.

**ROUGH-IN COVER** .....  
Designed to stand up to rigorous jobsites with 3,000 lb load rating.

**PROTECTIVE LABEL** .....  
Keeps grate/cover finish intact until the job is complete.

**COVER OPTIONS** .....  
**BZ1** = Round with Post-Pour Adjustability  
**SZ1** = Square with Post-Pour Adjustability  
**ZN** = Polished Nickel Bronze Top  
**ZB** = Polished Bronze Top  
**ZS** = Polished Stainless Steel Top

**BODY OPTIONS** .....  
**IC** = Inside Caulk  
**IG** = Inside Gasket  
**IP** = Threaded  
**NH** = No-Hub  
**NL** = Neo-Loc

**OUTLET SIZES** .....  
Available in outlet sizes ranging from 2" through 6"



## A Whole Family of Product

-**BZ1** = Round cast iron floor drain or cleanout  
 -**SZ1** = Square cast iron floor drain or cleanout  
 -**DP** = Stainless steel deck plate for a cast iron floor drain or cleanout

## Model Number Example

**[ZN][415]-[3][NH]-[5][S][Z1]-[DP]**  
**ZN** = Denotes cover material  
**415 or 1400** = Denotes floor drain or cleanout  
**3** = Denotes outlet size  
**NH** = Denotes outlet type

**5, 6, or 8** = Denotes cover size  
**S** = Denotes round or square  
**Z1** = Denotes post-pour adjustability  
**DP** = Denotes deck plate

\*Comes standard with nickel bronze unless otherwise noted.

Learn more at [zurn.com/ez1](http://zurn.com/ez1)

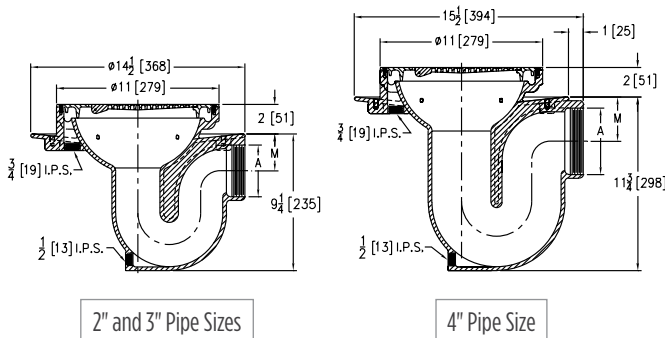
## Z300 THOROFLUSH DRAIN



### ENGINEERING SPECIFICATION

Zurn ZN300 11" top thoroflush drain with integral double wall trap features cast iron body with white acid resistant epoxy coated exterior and interior, side outlet with seepage pan, nickel bronze flushing rim top, and slotted hinged grate.

Dimensions in inches [mm]		Grate Open Area sq in [cm <sup>2</sup> ]	Approximate Weight lb [kg]
A Pipe Size	M		
2 [51]	3 [76]	18 [116]	50 [23]
3 [76]	2-1/2 [64]		
4 [102]	3 [76]		



PREFIXES	DESCRIPTION	A PIPE SIZE	LIST PRICE
ZN300*	Cast Iron Body with A.R.C. Interior and Exterior with Polished Nickel Bronze Top	2"	2,492.00
		3", 4"	2,587.00
ZB300	Cast Iron Body with A.R.C. Interior and Exterior with Polished Bronze Top	2"	2,348.00
		3", 4"	2,444.00

OUTLETS (SPECIFY PIPE SIZE IN INCHES AND TYPE OF OUTLET)			
OUTLET TYPE		PIPE SIZE/OUTLET TYPE	ADD
IP	Threaded	2IP, 3IP, 4IP	N/C
SUFFIXES			
			ADD
-C	Clamping Collar		194.00
-FG	Free Set Grate		292.00
-IG	Integral Grate		107.00
-SC	Solid Cover		744.00
-ST	Solid Hinged Top		744.00
-VP	Vandal-Proof Screws in Frame		N/C
-WB	Water Supply Control Box (See Z1464)		5,330.00
BEST SELLER			LIST PRICE
ZN300-3IP			2,492.00

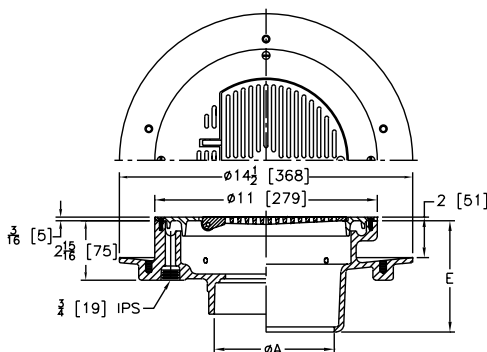
## Z310 THOROFLUSH DRAIN



### ENGINEERING SPECIFICATION

Zurn ZN310 11" top thoroflush drain features cast iron body with white acid resistant epoxy coated exterior and interior, bottom outlet with seepage pan, nickel bronze flushing rim top, and slotted hinged grate.

A Pipe Size inch [mm]	Grate Open Area sq in [cm <sup>2</sup> ]	Approximate Weight lb [kg]
2 [51], 3 [76], 4 [102]	18 [116]	20 [9]



PREFIXES	DESCRIPTION	A PIPE SIZE	LIST PRICE
ZN310*	Cast Iron Body with A.R.C. Interior and Exterior with Polished Nickel Bronze Top	2", 3", 4"	2,604.00
ZB310	Cast Iron Body with A.R.C. Interior and Exterior with Polished Bronze Top	2", 3", 4"	2,409.00

OUTLETS (SPECIFY PIPE SIZE IN INCHES AND TYPE OF OUTLET)				
OUTLET TYPE		PIPE SIZE/OUTLET TYPE	E BODY HT. DIM.	ADD
IP	Threaded	2IP, 3IP, 4IP	5-1/2"	80.00
NL	Neo-Loc	2NL, 3NL, 4NL	4-5/8"	N/C
SUFFIXES				ADD
-C	Clamping Collar			194.00
-FG	Free Set Grate			292.00
-IG	Integral Grate			107.00
-ST	Solid Hinged Top			744.00
-TC	Neo-Loc Test Cap Gasket (2", 3", 4" NL Bottom Outlet Only)			24.00
-VP	Vandal-Proof Screws in Frame			N/C
-WB	Water Supply Control Box (See Z1464)			5,330.00
SEE LEGACY ADDENDUM ON PAGE 369 FOR MORE INFORMATION				

\*Regularly furnished unless otherwise specified.

Items designated as Best Sellers are most specified and are generally in stock for shipment.

⌚ This symbol denotes a product that is engineered to reduce installation and rework time.

For additional product information, please visit [www.zurn.com](http://www.zurn.com)

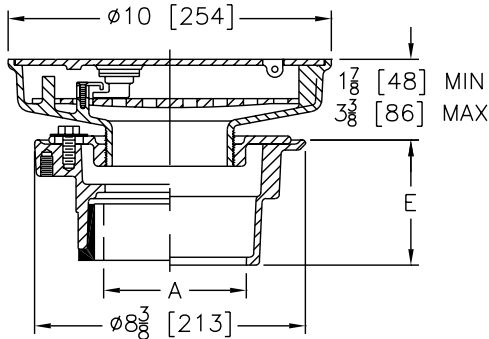
## Z315 VANDAL-PROOF ACCESS DRAIN



### ENGINEERING SPECIFICATION

Zurn ZN315 10" top vandal-proof drain features Dura-Coated cast iron body bottom outlet, invertible membrane clamp, vertically adjustable nickel bronze top with secondary strainer, and hinged solid locking cover.

A Pipe Size inch [mm]	Approximate Weight lb [kg]
2 [51]	23 [10]
3 [76]	24 [11]
4 [102]	25 [11]



PREFIXES	DESCRIPTION	A PIPE SIZE	LIST PRICE
ZN315*	D.C.C.I Body with Polished Nickel Bronze Top	2", 3", 4"	3,461.00

OUTLETS (SPECIFY PIPE SIZE IN INCHES AND TYPE OF OUTLET)			
OUTLET TYPE	PIPE SIZE/ OUTLET TYPE	E BODY HT. DIM.	ADD
NH	No-Hub	2NH, 3NH, 4NH	3-7/8" N/C
NL	Neo-Loc	2NL, 3NL, 4NL	3-3/4" N/C

SUFFIXES			ADD
-G	Galvanized Cast Iron		198.00
-HL	Hinged Locking Grate		N/C
-P	Trap Primer Connection		150.00
-TC	Neo-Loc Test Cap Gasket (2", 3", 4" NL Bottom Outlet Only)		24.00

BEST SELLER		LIST PRICE
ZN315-3NL-P		3,611.00

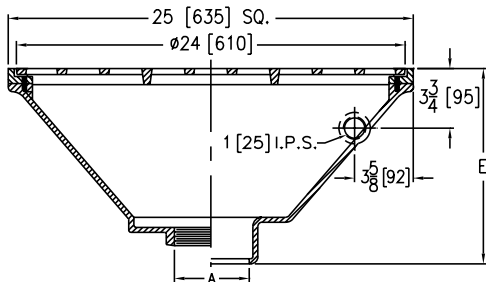
## Z319 THOROFLUSH DRAIN - LARGE CAPACITY



### ENGINEERING SPECIFICATION

Zurn ZN319 25" large capacity thoroflush drain features cast iron body with white acid resistant coating, bottom outlet, and nickel bronze top frame and grate with flushing connection.

A Pipe Size inch [mm]	Grate Open Area sq in [cm <sup>2</sup> ]	Approximate Weight lb [kg]
3 [76], 4 [102], 6 [152], 8 [203]	232 [1496]	118 [54]



PREFIXES	DESCRIPTION	A PIPE SIZE	LIST PRICE
ZN319*	Cast Iron Body with A.R.C. Polished Nickel Bronze Top	3", 4", 6", 8"	16,570.00

OUTLETS (SPECIFY PIPE SIZE IN INCHES AND TYPE OF OUTLET)			
OUTLET TYPE	PIPE SIZE/OUTLET TYPE	E BODY HT. DIM.	ADD
IC	Inside Caulk	3IC, 4IC	12-1/8" N/C
IG	Inside Gasket	3IG, 4IG	12-1/8" N/C
IP	Threaded	3IP, 4IP, 6IP, 8IP	11" 80.00

SUFFIXES			ADD
-G	Galvanized Cast Iron		1,602.00
-P	Trap Primer Connection		150.00
-VP	Vandal-Proof Secured Top		206.00

SEE LEGACY ADDENDUM ON PAGE 369 FOR MORE INFORMATION



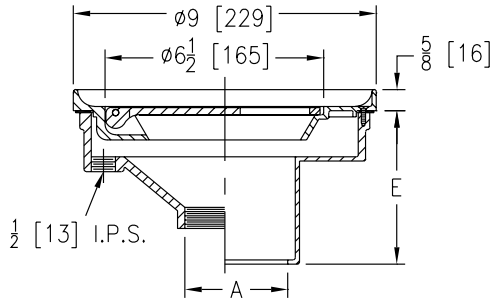
## Z320 REFRIGERATOR DRAIN



### ENGINEERING SPECIFICATION

Zurn ZN320 9" refrigerator drain features cast iron body with white acid resistant epoxy coated interior, nickel bronze flushing rim top, and recessed hinged grate.

A Pipe Size inch [mm]	Grate Open Area sq in [cm <sup>2</sup> ]	Approximate Weight lb [kg]
2 [51], 3 [76], 4 [102]	7-1/2 [48]	15 [7]



PREFIXES	DESCRIPTION	A PIPE SIZE	LIST PRICE
ZN320*	Cast Iron Body with A.R.C. Interior and Polished Nickel Bronze Top	2", 3", 4"	2,429.00

OUTLETS (SPECIFY PIPE SIZE IN INCHES AND TYPE OF OUTLET)				
OUTLET TYPE		PIPE SIZE/ OUTLET TYPE	E BODY HT. DIM.	ADD
IC	Inside Caulk	2IC, 3IC, 4IC	4-1/2"	N/C
IG	Inside Gasket	2IG, 3IG, 4IG	4-1/2"	N/C
IP	Threaded	2IP, 3IP, 4IP	3-7/16"	80.00
SUFFIXES				ADD
-G	Galvanized Cast Iron			387.00
-VP	Vandal-Proof Secured Top			58.00

SEE LEGACY ADDENDUM ON PAGE 369 FOR MORE INFORMATION

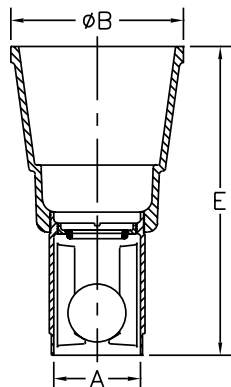
## Z325 INDIRECT WASTE FUNNEL WITH INTEGRAL BACKWATER VALVE



### ENGINEERING SPECIFICATION

Zurn Z325 7" or 9" diameter indirect waste funnel features Dura-Coated cast iron body, plastic ball float, bronze backwater valve bushing and replaceable neoprene seat.

Dimensions in inches [mm]		Approximate Weight lb [kg]
A Pipe Size	B	
2 [51]	6-3/4 [171]	13 [6]
3 [76]		16 [7]
4 [102]	8-5/8 [219]	20 [9]
6 [152]		37 [17]



PREFIXES	DESCRIPTION	A PIPE SIZE	LIST PRICE
Z325*	D.C.C.I. Body	2"	1,017.00
		3"	1,078.00
		4"	1,391.00
		6"	1,434.00

OUTLETS (SPECIFY PIPE SIZE IN INCHES AND TYPE OF OUTLET)				
OUTLET TYPE		PIPE SIZE/ OUTLET TYPE	E BODY HT. DIM.	ADD
NH	No-Hub	2NH, 3NH	12-3/4"	N/C
		4NH, 6NH	15-1/4"	N/C

SUFFIXES				ADD
-DB	Bottom Dome Strainer			58.00
-G	Galvanized Cast Iron			623.00
-S	Secondary Strainer			58.00

BEST SELLERS		LIST PRICE
Z325-3NH		1,078.00
Z325-4NH		1,391.00

\*Regularly furnished unless otherwise specified.

Items designated as Best Sellers are most specified and are generally in stock for shipment.

⌚ This symbol denotes a product that is engineered to reduce installation and rework time.

For additional product information, please visit [www.zurn.com](http://www.zurn.com)

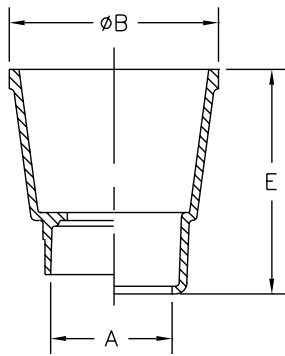
## Z326 INDIRECT WASTE FUNNEL



### ENGINEERING SPECIFICATION

Zurn Z326 7" or 9" diameter Indirect waste funnel features Dura-Coated cast iron body and bottom outlet.

Dimensions in inch [mm]		Approximate Weight lb [kg]
A Pipe Size	B	
2 [51]	6-3/4 [171]	8 [4]
3 [76]		8 [4]
4 [102]	8-5/8 [219]	31 [14]
6 [152]		26 [12]



PREFIXES	DESCRIPTION	A PIPE SIZE	LIST PRICE	
Z326*	D.C.C.I. Body	2"	380.00	
		3"	442.00	
		4"	756.00	
		6"	784.00	
ZARB326	Plain Bronze Body	2"	891.00	
		3"	939.00	
		4"	1,986.00	
		6"	2,673.00	
OUTLETS (SPECIFY PIPE SIZE IN INCHES AND TYPE OF OUTLET)				
OUTLET TYPE	PIPE SIZE/OUTLET TYPE	E BODY HT. DIM.	ADD	
IP	Threaded	2IP, 3IP	7-1/4"	80.00
		4IP, 6IP	9-7/8"	80.00
NL	Neo-Loc	2NL, 3NL	6-5/8"	N/C
		4NL	9"	N/C
SUFFIXES			ADD	
-AR	Acid Resisting Epoxy Coated Cast Iron		314.00	
-DB	Bottom Dome Strainer	Z	58.00	
		ZARB	116.00	
-G	Galvanized Cast Iron		359.00	
BEST SELLER			LIST PRICE	
Z326-4NL-DB			814.00	

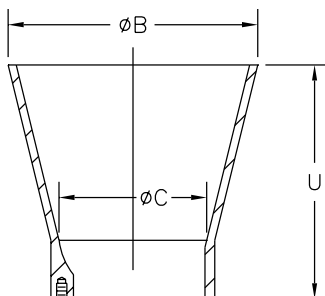
## Z328 FUNNEL CONVERTING ASSEMBLY



### ENGINEERING SPECIFICATION

Zurn Z328 4" or 6" (specify) diameter funnel converting assembly features Dura-Coated cast iron (or finish to suit drain top), along with necessary fasteners to secure funnel to strainer.

Product Designation	Dimensions in inches [mm]			Approximate Weight lb [kg]
	B	C	U	
-4	4 [102]	2-1/4 [57]	3-3/4 [95]	2 [1]
-6	6 [152]	2-7/8 [73]	6 [152]	5 [2]



PREFIXES	DESCRIPTION	PRODUCT DESIGNATION	LIST PRICE
Z328*	D.C.C.I. Funnel	-4	178.00
		-6	286.00
ZB328	Polished Bronze Funnel	-4	365.00
		-6	561.00
ZN328	Polished Nickel Bronze Funnel	-4	421.00
		-6	626.00
SUFFIXES			ADD
-AR	Acid Resisting Epoxy Coated Cast Iron		206.00
BEST SELLERS			LIST PRICE
Z328-4			178.00
ZN328-4			421.00
ZN328-6			626.00

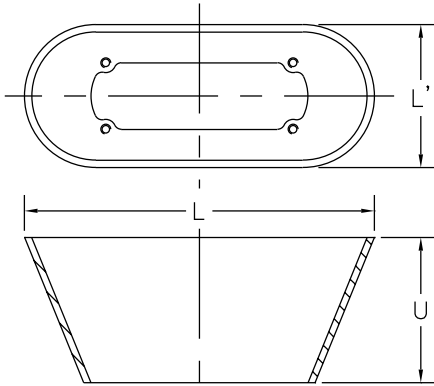
## Z329 FUNNEL CONVERTING ASSEMBLY



### ENGINEERING SPECIFICATION

Zurn Z329 7" or 9" (specify) oval funnel converting assembly features Dura-Coated cast iron (or finish to suit drain top), along with necessary fasteners to secure funnel to strainer. (Available on 7" diameter or larger size drain tops only.)

Product Designation	Dimensions in inches [mm]			Approximate Weight lb [kg]
	L	L'	U	
-7	6-3/4 [171]	3 [76]	1 [25]	2 [1]
-9	8-7/8 [225]	3-5/8 [92]	3-3/4 [95]	4 [2]



PREFIXES	DESCRIPTION	PRODUCT DESIGNATION	LIST PRICE
<b>Z329*</b>	D.C.C.I. Funnel	-7	178.00
		-9	421.00
<b>ZN329</b>	Polished Nickel Bronze Funnel	-7	421.00
		-9	874.00
SUFFIXES			ADD
<b>-AR</b>	Acid Resisting Epoxy Coated Cast Iron		206.00
BEST SELLERS			LIST PRICE
ZN329-7			421.00
ZN329-9			874.00

\*Regularly furnished unless otherwise specified.

Items designated as Best Sellers are most specified and are generally in stock for shipment.

🕒 This symbol denotes a product that is engineered to reduce installation and rework time.

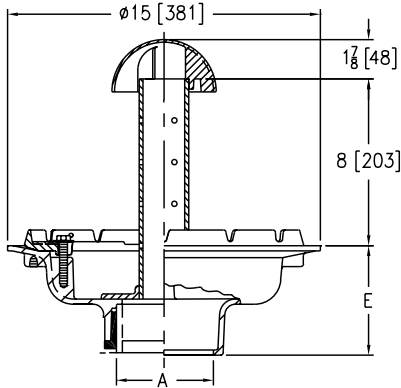
## Z349 TERRACE PLANTING AREA DRAIN



### ENGINEERING SPECIFICATION

Zurn Z349 terrace planting area drain features Dura-Coated cast iron body, 8" high perforated overflow standpipe with dome, and combination membrane flashing clamp/gravel guard.

A Pipe Size inch [mm]	Approximate Weight lb [kg]
2 [51], 3 [76], 4 [102]	40 [18]
5 [127], 6 [152]	42 [19]



PREFIXES	DESCRIPTION	A PIPE SIZE	LIST PRICE
Z349*	D.C.C.I. Body with Standpipe and Dome	2", 3", 4"	1,335.00
		6"	1,565.00
ZN349	D.C.C.I. Body, Clamp with Polished Nickel Bronze Standpipe and Dome	2", 3", 4"	2,587.00
		6"	2,812.00

OUTLETS (SPECIFY PIPE SIZE IN INCHES AND TYPE OF OUTLET)				
OUTLET TYPE		PIPE SIZE/OUTLET TYPE	E BODY HT. DIM.	ADD
NH	No-Hub	2NH, 3NH, 4NH, 6NH	5-1/4"	N/C
NL	Neo-Loc	2NL, 3NL, 4NL	4-9/16"	N/C
		6NL	5-7/16"	N/C
SUFFIXES				ADD
-C	Underdeck Clamp			244.00
-G	Galvanized Cast Iron			641.00
Ⓢ-SA	Stabilizer Assembly (See Z1036)			148.00
-SD	Longer Standpipe For Each Additional 1" over 8" (Specify Height)	Z		147.00
		ZN		228.00
-SS	Stainless Steel Mesh Screen over Standpipe			POA
BEST SELLER				LIST PRICE
Z349-3NL				1,335.00

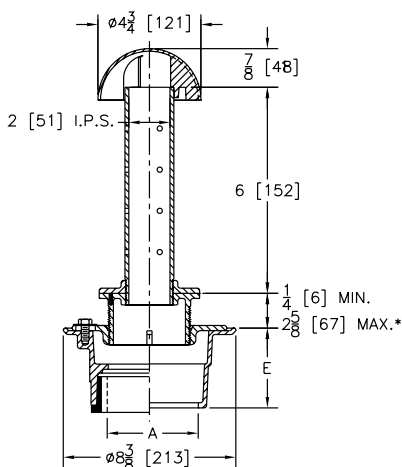
## Z350 PLANTING AREA DRAIN



### ENGINEERING SPECIFICATION

Zurn Z350 planting area drain features Dura-Coated cast iron body with bottom outlet and combination invertible membrane clamp, vertically adjustable nickel bronze head, floor flange, and 2" diameter perforated standpipe and dome.

A Pipe Size inches [mm]	Approximate Weight lb [kg]
2 [51], 3 [76], 4 [102]	22 [10]



PREFIXES	DESCRIPTION	A PIPE SIZE	LIST PRICE	
ZN350*	D.C.C.I. Body with Polished Stainless Steel Standpipe	2", 3", 4"	2,294.00	
ZB350	D.C.C.I. Body with Polished Brass Standpipe	2", 3", 4"	1,993.00	
OUTLETS (SPECIFY PIPE SIZE IN INCHES AND TYPE OF OUTLET)				
OUTLET TYPE		PIPE SIZE/OUTLET TYPE	E BODY HT. DIM.	ADD
IC	Inside Caulk	2IC, 3IC, 4IC	4-3/16"	N/C
IG	Inside Gasket	2IG, 3IG, 4IG	4-3/16"	N/C
IP	Threaded	2IP	2-7/16"	80.00
		3IP	2-3/4"	80.00
		4IP	2-3/16"	80.00
NH	No-Hub	2NH, 3NH, 4NH	3-13/16"	N/C
NL	Neo-Loc	2NL, 3NL, 4NL	3-7/8"	N/C
SUFFIXES				ADD
-C	Underdeck Clamp			150.00
-G	Galvanized Cast Iron			198.00
-P	Trap Primer Connection (Specify 1/2" or 3/4")			150.00
-SD	Longer Standpipe For Each Additional 1" over 6" (Specify Height)	ZB, ZN		98.00
-SS	Stainless Steel Mesh Screen over Dome			POA
DEDUCT				
-PS	Solid Standpipe			-345.00
BEST SELLERS				LIST PRICE
ZN350-2NH				2,294.00
ZB350-3NH				1,993.00
ZN350-3NH				2,294.00
ZN350-3NH-SS				POA
ZN350-3NL				2,294.00
ZN350-4NL				2,294.00

For additional product information, please visit [www.zurn.com](http://www.zurn.com)

\*Regularly furnished unless otherwise specified.

Items designated as Best Sellers are most specified and are generally in stock for shipment.

Ⓢ This symbol denotes a product that is engineered to reduce installation and rework time.

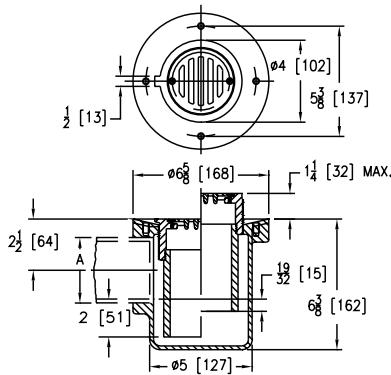
## Z355 PRISON CELL FLOOR DRAIN



### ENGINEERING SPECIFICATION

Zurn ZN355 prison cell floor drain features Dura-Coated cast iron body with side outlet, integral trap, anchor flange, and adjustable nickel bronze slotted strainer secured with spanner type vandal-proof screws.

A Pipe Size inches [mm]	Grate Open Area sq in [cm <sup>2</sup> ]	Approximate Weight lb [kg]
2 [51]	3-1/2 [23]	13 [6]
3 [76]		15 [7]



PREFIXES	DESCRIPTION	A PIPE SIZE	LIST PRICE	
ZN355*	D.C.C.I. Body with Polished Nickel Bronze Top	2"	1,006.00	
		3"	1,116.00	
OUTLETS (SPECIFY PIPE SIZE IN INCHES AND TYPE OF OUTLET)				
OUTLET TYPE	PIPE SIZE/OUTLET TYPE		ADD	
IP	Threaded		2IP, 3IP	N/C
SUFFIXES			ADD	
-G			Galvanized Cast Iron	185.00
BEST SELLER			LIST PRICE	
ZN355-3IP			1,116.00	

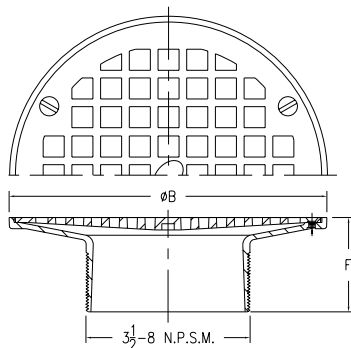
## Z400 "TYPE B" ROUND STRAINER WITH HEEL-PROOF SQUARE OPENINGS



### ENGINEERING SPECIFICATION

Zurn Z( )400B "TYPE B" round adjustable light-duty strainer top includes square heel-proof openings and secured grate. (Specify ZB or ZN finish.)

Strainer Designation	Dimensions in inches [mm]		Open Area sq in [cm <sup>2</sup> ]	Approximate Weight lb [kg]
	Size B	Height F		
-5B	5 [127]	2 [51]	8 [52]	2 [1]
-6B	6 [152]	2-1/4 [57]	9 [58]	3 [1]
-7B	7 [178]	2-5/8 [67]	12 [77]	4 [2]
-8B	8 [203]		18 [116]	5 [2]
-10B	10 [254]	3 [76]	26 [168]	13 [6]



PREFIXES	DESCRIPTION	STRAINER DESIGNATION	LIST PRICE
ZN400*	Polished Nickel Bronze Top	-5B	292.00
		-6B	399.00
		-7B	489.00
		-8B	660.00
		-10B	972.00
ZB400	Polished Bronze Top	-5B	269.00
		-6B	343.00
		-7B	455.00
		-8B	615.00
		-10B	910.00
SUFFIXES			ADD
-CP	Chrome-Plated Bronze Top		26.00
⌚ -HD	Heavy-Duty Slotted Grate (ZN 5" & 6" only with 4" shank)		206.00
-OF	Oval Funnel (6", 7", 8", 10" Strainers Only) (See Z329-7)		-
⌚ -PC	Protective Cover		64.00
-SG	Solid Gasketed Cover (Will not function as a gas-tight cleanout cover.)		POA
-V	Backwater Valve (Not Available with -Y)		380.00
-VP	Vandal-Proof Secured Top		58.00
-Y	Sediment Bucket (Not Available with -V)		109.00
-4	4" Diameter Funnel (See Z328)		-
BEST SELLERS			LIST PRICE
ZB400-5B			269.00
ZB400-5B-CP			295.00
ZN400-5B			292.00
ZN400-5B-VP			350.00
ZB400-6B			343.00
ZN400-6B			399.00
ZN400-8B			660.00
ZN400-10B			972.00

\*Regularly furnished unless otherwise specified.

Items designated as Best Sellers are most specified and are generally in stock for shipment.

⌚ This symbol denotes a product that is engineered to reduce installation and rework time.

For additional product information, please visit [www.zurn.com](http://www.zurn.com)

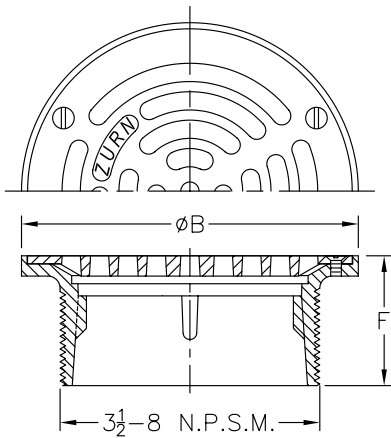
## ZS400 "TYPE BS" ROUND STRAINER WITH SLOTTED OPENINGS



### ENGINEERING SPECIFICATION

Zurn ZS400BS "TYPE BS" round adjustable medium-duty strainer top includes heel-proof slotted, secured grate.

Strainer Designation	Dimensions in inches [mm]		Open Area sq in [cm <sup>2</sup> ]	Approximate Weight lb [kg]
	Size B	Height F		
-5BS	5 [127]	2 [51]	7 [45]	1-1/2 [1/2]
-6BS	6 [152]	2-1/4 [57]	11 [71]	2-1/2 [1]
-7BS	7 [178]	2-5/8 [67]	15 [97]	3 [1]
-8BS	8 [203]		20 [129]	4-1/2 [2]
-10BS	10 [254]	3 [76]	26-1/2 [171]	8 [4]



PREFIXES	DESCRIPTION	STRAINER DESIGNATION	LIST PRICE
<b>ZS400*</b>	Type 304 (CF8) Stainless Steel Top	-5BS	850.00
		-6BS	1,108.00
		-7BS	1,488.00
		-8BS	1,564.00
		-10BS	1,906.00
<b>ZM400</b>	Type 316 (CF8M) Stainless Steel Top	-5BS	POA
		-6BS	POA
		-7BS	POA
		-8BS	POA
		-10BS	POA
SUFFIXES			ADD
<b>-VP</b>	Vandal-Proof Secured Top		58.00
<b>-Y</b>	Stainless Steel Sediment Bucket		109.00
BEST SELLERS			LIST PRICE
ZS400-5BS			850.00
ZS400-6BS			1,108.00
ZS400-8BS			1,564.00

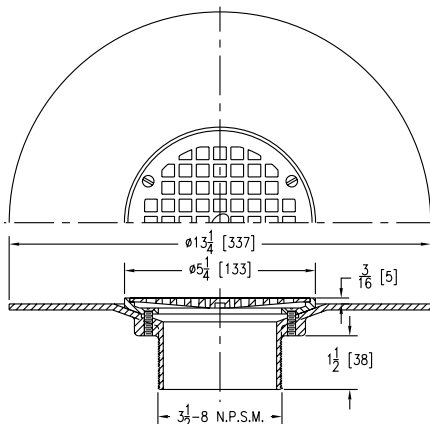
## Z400 "TYPE BL" ROUND STRAINER WITH DEX-O-TEX FLANGE



### ENGINEERING SPECIFICATION

Zurn Z( )400BL "TYPE BL" round adjustable light-duty strainer features Dura-Coated cast iron 13" diameter latex membrane flange, nickel bronze or polished bronze frame, and secured grate. (Specify ZB or ZN finish.)

Strainer Designation	Top Size inch [mm]	Open Area sq in [cm <sup>2</sup> ]	Approximate Weight lb [kg]
-5BL	5 [127]	7 [45]	5 [2]



PREFIXES	DESCRIPTION	STRAINER DESIGNATION	LIST PRICE
<b>ZN400*</b>	Polished Nickel Bronze Top	-5BL	1,199.00
<b>ZB400</b>	Polished Bronze Top	-5BL	1,143.00
SUFFIXES			ADD
<b>-CP</b>	Chrome-Plated Bronze Top		26.00
<b>-PC</b>	Protective Cover		64.00
<b>-VP</b>	Vandal-Proof Secured Top		58.00
<b>-Y</b>	Sediment Bucket		109.00
BEST SELLER			LIST PRICE
ZN400-5BL			1,199.00

For additional product information, please visit [www.zurn.com](http://www.zurn.com)

\*Regularly furnished unless otherwise specified.

Items designated as Best Sellers are most specified and are generally in stock for shipment.

Ⓢ This symbol denotes a product that is engineered to reduce installation and rework time.

## 🕒 Z400 "TYPE BZ" ROUND LEVELING STRAINER WITH SQUARE OPENINGS

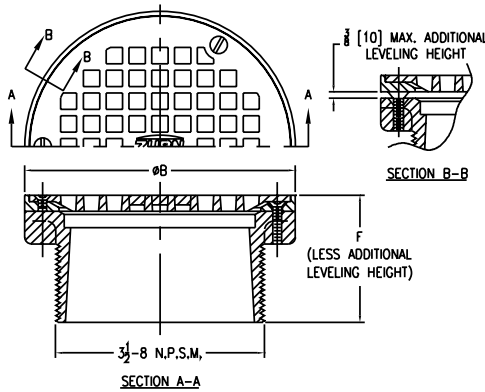


Patented

### ENGINEERING SPECIFICATION

Zurn Z( )400BZ "TYPE BZ" round adjustable light-duty leveling strainer top includes stainless steel leveling screws, square heel-proof openings, secured grate, and cast iron threaded head. (Specify ZB or ZN finish) 360° leveling frame design shall provide a maximum flat adjustment height of 3/8" and a maximum slope adjustment of 7/8" per foot.

Strainer Designation	Dimensions in inches [mm]		Open Area sq in [cm <sup>2</sup> ]	Approximate Weight lb [kg]
	Size B	Height F		
-5BZ	5-3/16 [132]	2-7/16 [62]	8 [52]	2 [1]
-6BZ	6-1/4 [159]	2-19/32 [66]	9 [58]	3 [1]



PREFIXES	DESCRIPTION	STRAINER DESIGNATION	LIST PRICE
ZN400*	Polished Nickel Bronze Top	-5BZ	292.00
		-6BZ	399.00
ZB400	Polished Bronze Top	-5BZ	269.00
		-6BZ	343.00

SUFFIXES	DESCRIPTION	LIST PRICE
-CP	Chrome-Plated Bronze Top	26.00
-DP	Decorative Polished Top	171.00
🕒 -PC	Protective Cover	64.00
-V	Backwater Valve (Not Available with -Y)	380.00
-VP	Vandal-Proof Secured Top	58.00
-Y	Sediment Bucket (Not Available with -Y)	109.00

BEST SELLERS	LIST PRICE
ZN400-5BZ	292.00
ZN400-5BZ-PC	356.00
ZN400-6BZ	399.00

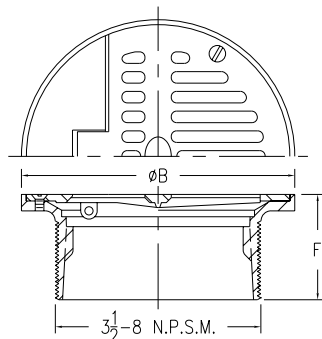
## Z400 "TYPE C" ROUND HINGED STRAINER



### ENGINEERING SPECIFICATION

Zurn Z( )400C "TYPE C" round adjustable light-duty strainer top includes slotted heel-proof openings and hinged grate. (Specify ZB or ZN finish.)

Strainer Designation	Dimensions in inches [mm]		Open Area sq in [cm <sup>2</sup> ]	Approximate Weight lb [kg]
	Size B	Height F		
-5C	5 [127]	2 [51]	8 [52]	2 [1]
-6C	6 [152]	2-1/4 [57]	9 [58]	3 [1]
-7C	7 [178]	2-5/8 [67]	13 [84]	4 [2]
-8C	8 [203]		18 [116]	5 [2]



PREFIXES	DESCRIPTION	STRAINER DESIGNATION	LIST PRICE
ZN400*	Polished Nickel Bronze Top	-5C	561.00
		-6C	622.00
		-7C	767.00
		-8C	864.00
ZB400	Polished Bronze Top	-5C	527.00
		-6C	561.00
		-7C	732.00
		-8C	791.00

SUFFIXES	DESCRIPTION	LIST PRICE
-CP	Chrome-Plated Bronze Top	26.00
🕒 -PC	Protective Cover	64.00
-V	Backwater Valve (Not Available with -Y)	380.00
-VP	Vandal-Proof Secured Top	58.00
-Y	Sediment Bucket (Not Available with -Y)	109.00

BEST SELLER	LIST PRICE
ZN400-6C	622.00

\*Regularly furnished unless otherwise specified.

Items designated as Best Sellers are most specified and are generally in stock for shipment.

🕒 This symbol denotes a product that is engineered to reduce installation and rework time.

For additional product information, please visit [www.zurn.com](http://www.zurn.com)

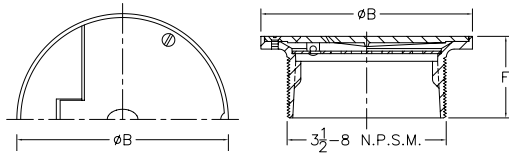
## Z400 "TYPE D" ROUND STRAINER WITH SOLID HINGED COVER



### ENGINEERING SPECIFICATION

Zurn Z( )400D "TYPE D" round adjustable light-duty strainer top includes solid hinged cover and secondary strainer. (Specify ZB or ZN finish.)

Strainer Designation	Dimensions in inches [mm]		Open Area sq in [cm <sup>2</sup> ]	Approximate Weight lb [kg]
	Size B	Height F		
-5D	5 [127]	2 [51]	8 [52]	3 [1]
-6D	6 [152]	2-1/4 [57]	9 [58]	4 [2]
-7D	7 [178]	2-5/8 [67]	13 [84]	5 [2]
-8D	8 [203]		18 [116]	6 [3]



PREFIXES	DESCRIPTION	STRAINER DESIGNATION	LIST PRICE
<b>ZN400*</b>	Polished Nickel Bronze Top	-5D	675.00
		-6D	767.00
		-7D	1,199.00
		-8D	1,215.00
<b>ZB400</b>	Polished Bronze Top	-5D	622.00
		-6D	660.00
		-7D	1,051.00
		-8D	1,108.00
SUFFIXES			ADD
Ⓢ	<b>-PC</b>	Protective Cover	64.00
	<b>-V</b>	Backwater Valve (Not Available with -Y)	380.00
	<b>-VP</b>	Vandal-Proof Secured Top	58.00
	<b>-Y</b>	Sediment Bucket (Not Available with -V)	109.00
<b>SEE LEGACY ADDENDUM ON PAGE 369 FOR MORE INFORMATION</b>			

## Z400 "TYPE E" ROUND STRAINER WITH INTEGRAL FUNNEL

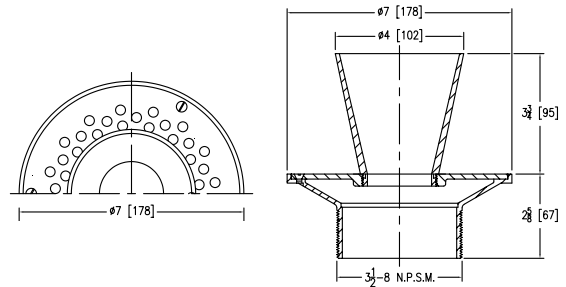


### ENGINEERING SPECIFICATION

Zurn Z( )400E "TYPE E" round adjustable strainer top includes combination funnel/grate with perimeter openings. (Specify ZB or ZN finish.)

Strainer Designation	Top Size inch [mm]	Open Area sq in [cm <sup>2</sup> ]	Approximate Weight lb [kg]
-7E	7 [178]	5 [32]	10 [5]

PREFIXES	DESCRIPTION	STRAINER DESIGNATION	LIST PRICE
<b>ZN400*</b>	Polished Nickel Bronze Top	-7E	1,158.00
<b>ZB400</b>	Polished Bronze Top	-7E	1,051.00



SUFFIXES			ADD
	<b>-V</b>	Backwater Valve (Not Available with -Y)	380.00
	<b>-VP</b>	Vandal-Proof Secured Top	58.00
	<b>-Y</b>	Sediment Bucket (Not Available with -V)	109.00
BEST SELLER			LIST PRICE
ZN400-7E			1,158.00

## Z400 "TYPE G" ROUND STRAINER WITH DOME

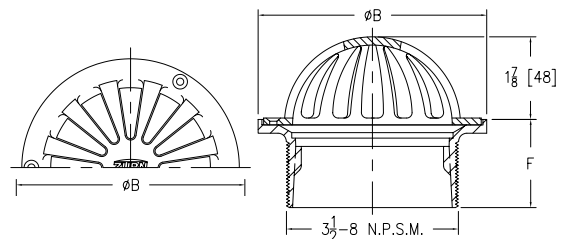


### ENGINEERING SPECIFICATION

Zurn Z( )400G "TYPE G" round adjustable strainer top includes secured slotted dome strainer. (Specify ZB or ZN finish.)

Strainer Designation	Dimensions in inches [mm]		Open Area sq in [cm <sup>2</sup> ]	Approximate Weight lb [kg]
	Size B	Height F		
-5G	5 [127]	2 [51]	15 [97]	2 [1]
-6G	6 [152]	2-1/4 [57]		4 [2]

PREFIXES	DESCRIPTION	STRAINER DESIGNATION	LIST PRICE
<b>ZN400*</b>	Polished Nickel Bronze Top	-5G	489.00
		-6G	622.00
<b>ZB400</b>	Polished Bronze Top	-5G	453.00
		-6G	544.00



SUFFIXES			ADD
	<b>-SS</b>	Stainless Mesh Screen Over Dome	527.00
	<b>-V</b>	Backwater Valve (Not Available with -Y)	380.00
	<b>-VP</b>	Vandal-Proof Secured Top	58.00
	<b>-Y</b>	Sediment Bucket (Not Available with -V)	109.00
BEST SELLERS			LIST PRICE
ZN400-5G			489.00
ZN400-6G			622.00

For additional product information, please visit [www.zurn.com](http://www.zurn.com)

\*Regularly furnished unless otherwise specified.

Items designated as Best Sellers are most specified and are generally in stock for shipment.

Ⓢ This symbol denotes a product that is engineered to reduce installation and rework time.



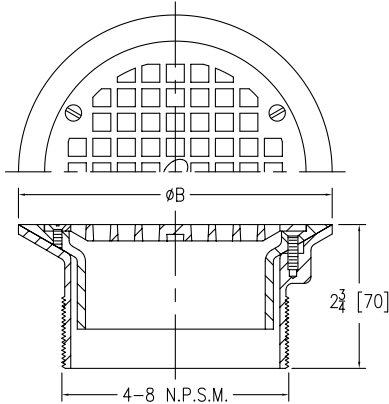
## Z400 "TYPE H" ROUND STRAINER WITH CLAMP DEVICE



### ENGINEERING SPECIFICATION

Zurn Z( )400H "TYPE H" round adjustable light-duty strainer top includes integral clamping frame and secured heel-proof grate. (Specify ZB or ZN finish.)

Strainer Designation	B Top Size Inches [mm]	Open Area sq in [cm <sup>2</sup> ]	Approximate Weight lb [kg]
-6H	6 [152]	7 [45]	4 [2]
-9H	9 [229]	11 [71]	10 [5]



PREFIXES	DESCRIPTION	STRAINER DESIGNATION	LIST PRICE
<b>ZN400*</b>	Polished Nickel Bronze Top	-6H	1,391.00
		-9H	1,829.00
<b>ZB400</b>	Polished Bronze Top	-6H	1,235.00
		-9H	1,617.00
SUFFIXES			ADD
<b>-VP</b>	Vandal-Proof Secured Top		58.00
<b>-Y</b>	Sediment Bucket		109.00
BEST SELLER			LIST PRICE
ZN400-6H			1,391.00

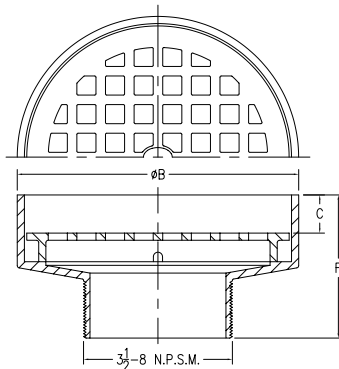
## Z400 "TYPE I" ROUND STRAINER WITH RAISED LIP



### ENGINEERING SPECIFICATION

Zurn Z( )400I "TYPE I" round adjustable strainer top includes loose set recessed grate. (Specify ZB or ZN finish.)

Strainer Designation	Dimensions in inches [mm]			Open Area sq in [cm <sup>2</sup> ]	Approximate Weight lb [kg]
	Size B	C	Height F		
-5I	5-7/16 [138]	7/8 [22]	3 [76]	8 [52]	5 [2]
-7I	7-3/8 [187]	1 [25]	3-3/4 [95]	13 [84]	10 [5]
-9I	9 [229]	1/2 [13]	3-1/2 [89]	23 [148]	14 [6]



PREFIXES	DESCRIPTION	STRAINER DESIGNATION	LIST PRICE
<b>ZN400*</b>	Polished Nickel Bronze Top	-5I	843.00
		-7I	923.00
		-9I	1,372.00
<b>ZB400</b>	Polished Bronze Top	-5I	781.00
		-7I	831.00
		-9I	1,238.00
SUFFIXES			ADD
<b>-TS</b>	Top Secured with Slotted Screws		58.00
<b>-V</b>	Backwater Valve (Not Available with -Y)		380.00
<b>-VP</b>	Vandal-Proof Secured Top		117.00
<b>-Y</b>	Sediment Bucket (Not Available with -V)		109.00
BEST SELLERS			LIST PRICE
ZN400-5I			843.00
ZN400-7I			923.00

\*Regularly furnished unless otherwise specified.

Items designated as Best Sellers are most specified and are generally in stock for shipment.

⌚ This symbol denotes a product that is engineered to reduce installation and rework time.

For additional product information, please visit [www.zurn.com](http://www.zurn.com)

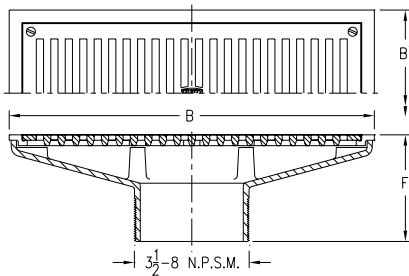
## Z400 "TYPE J" RECTANGULAR STRAINER WITH HEEL-PROOF SLOTTED OPENINGS



### ENGINEERING SPECIFICATION

Zurn ZC ( )400J "TYPE J" rectangular adjustable light-duty heel-proof strainer top with Dura-Coated cast iron head, polished frame and secured slotted grate. (Specify ZB or ZN finish.)

Strainer Designation	Dimensions in inches [mm]			Open Area sq in [cm <sup>2</sup> ]	Approximate Weight lb [kg]
	Size B' x B	Height F			
-8J	4-1/2 [114] x 8 [203]	3 [76]		12 [77]	4 [2]
-9J	5 [127] x 9 [229]			15 [97]	5 [2]
-13J	5-1/2 [140] x 13 [330]	4-7/8 [124]	3-1/2 [89]	20 [129]	9 [4]
-17J	5 [127] x 17 [432]	3-1/2 [89]		29 [187]	14 [6]
-21J	5 [127] x 21 [533]			32 [206]	18 [8]
-20J	10 [254] x 20 [508]	3-5/8 [92]		66 [426]	34 [15]



PREFIXES	DESCRIPTION	STRAINER DESIGNATION	LIST PRICE
<b>ZN400*</b>	Polished Nickel Bronze Top	-8J	864.00
		-9J	1,643.00
		-13J	2,357.00
		-17J	1,333.00
		-21J	2,005.00
		-20J	7,705.00
<b>ZB400</b>	Polished Bronze Top	-8J	791.00
		-9J	791.00
		-13J	1,108.00
		-17J	2,281.00
		-21J	1,743.00
		-20J	3,262.00
SUFFIXES		ADD	
<b>-G</b>	Galvanized Cast Iron		295.00
<b>-V</b>	Backwater Valve (Not Available with -Y)		380.00
<b>-VP</b>	Vandal-Proof Secured Top		58.00
<b>-Y</b>	Sediment Bucket (Not Available with -V)		109.00
<b>SEE LEGACY ADDENDUM ON PAGE 369 FOR MORE INFORMATION</b>			

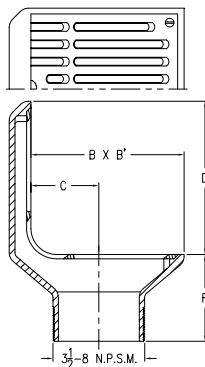
## Z400 "TYPE K" ANGULAR STRAINER



### ENGINEERING SPECIFICATION

Zurn ZC ( )400K "TYPE K" angular adjustable light-duty strainer top includes secured flush type angle grate. (Specify ZB or ZN finish.)

Strainer Designation	Dimensions in inches [mm]				Open Area sq in [cm <sup>2</sup> ]	Approximate Weight lb [kg]
	Size B x B'	C	D	Height F		
-5K	3-3/4 [95] x 5 [127]	1-7/32 [31]	3-3/4 [95]	2-3/8 [60]	11 [71]	9 [4]
-7K	6-5/8 [168] x 7 [178]	2-15/46 [59]	6-5/8 [168]	3-3/4 [95]	29 [187]	16 [7]



PREFIXES	DESCRIPTION	STRAINER DESIGNATION	LIST PRICE
<b>ZN400*</b>	Polished Nickel Bronze Top	-5K	1,759.00
		-7K	2,250.00
<b>ZB400</b>	Polished Bronze Top	-5K	1,611.00
		-7K	2,061.00
SUFFIXES		ADD	
<b>-V</b>	Backwater Valve (Not Available with -Y)		380.00
<b>-VP</b>	Vandal-Proof Secured Top		58.00
<b>-Y</b>	Sediment Bucket (Not Available with -V)		109.00
<b>SEE LEGACY ADDENDUM ON PAGE 369 FOR MORE INFORMATION</b>			

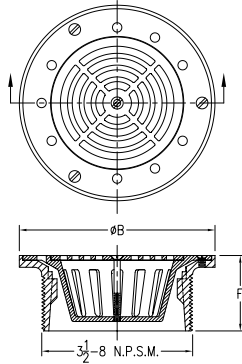
## Z400 "TYPE M" ROUND STRAINER WITH SLOTTED OPENINGS AND SUR-SET BUCKET



### ENGINEERING SPECIFICATION

Zurn Z( )400M "TYPE M" round adjustable light-duty strainer top includes slotted heel-proof openings, secured grate, and Sur-Set bucket. (Specify ZB or ZN finish.)

Strainer Designation	Dimensions in inches [mm]		Open Area sq in [cm <sup>2</sup> ]	Approximate Weight lb [kg]
	Size B	Height F		
-5M	5 [127]	2 [51]	4-1/2 [29]	2 [1]



PREFIXES	DESCRIPTION	STRAINER DESIGNATION	LIST PRICE
<b>ZN400*</b>	Polished Nickel Bronze Top	-5M	<b>775.00</b>
<b>ZB400</b>	Polished Bronze Top	-5M	<b>724.00</b>
SUFFIXES			ADD
⌚ <b>-PC</b>	Protective Cover		<b>64.00</b>
<b>-VP</b>	Vandal-Proof Secured Top		<b>58.00</b>

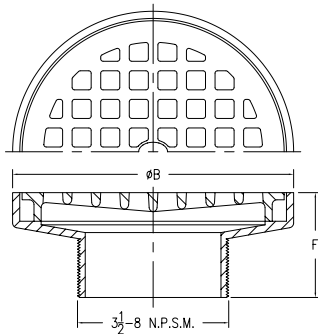
## Z400 "TYPE N" ROUND STRAINER WITH DEEP FLANGED GRATE



### ENGINEERING SPECIFICATION

Zurn Z( )400N "TYPE N" round adjustable light-duty strainer top includes loose set deep flanged grate. (Specify Z, ZB or ZN finish.)

Strainer Designation	Dimensions in inches [mm]		Open Area sq in [cm <sup>2</sup> ]	Approximate Weight lb [kg]
	Size B	Height F		
-7N	7 [178]	2-3/4 [70]	12 [77]	8 [4]
-9N	9 [229]	3 [76]	23 [148]	12 [5]



PREFIXES	DESCRIPTION	STRAINER DESIGNATION	LIST PRICE
<b>ZN400*</b>	Polished Nickel Bronze Top	-7N	<b>923.00</b>
		-9N	<b>1,355.00</b>
<b>Z400</b>	Dura-Coated Cast Iron Top	-7N	<b>349.00</b>
		-9N	<b>472.00</b>
<b>ZB400</b>	Polished Bronze Top	-7N	<b>831.00</b>
		-9N	<b>1,238.00</b>
SUFFIXES			ADD
<b>-DG</b>	Ductile Grate	7"	<b>129.00</b>
		9"	<b>165.00</b>
<b>-G</b>	Galvanized Cast Iron Top		<b>295.00</b>
<b>-TS</b>	Top Secured with Slotted Screws		<b>58.00</b>
<b>-V</b>	Backwater Valve (Not Available with -Y)		<b>380.00</b>
<b>-VP</b>	Vandal-Proof Secured Top		<b>117.00</b>
<b>-Y</b>	Sediment Bucket (Not Available with -V)		<b>109.00</b>

\*Regularly furnished unless otherwise specified.

Items designated as Best Sellers are most specified and are generally in stock for shipment.

⌚ This symbol denotes a product that is engineered to reduce installation and rework time.

For additional product information, please visit [www.zurn.com](http://www.zurn.com)

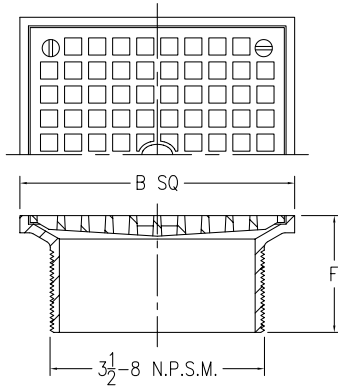
## Z400 "TYPE S" SQUARE STRAINER



### ENGINEERING SPECIFICATION

Zurn Z( )400S "TYPE S" square adjustable light-duty strainer top includes secured heel-proof grate. (Specify ZB or ZN finish.)

Strainer Designation	Dimensions in inches [mm]		Open Area sq in [cm <sup>2</sup> ]	Approximate Weight lb [kg]
	Size B	Height F		
-5S	5 x 5 [127]	2- 1/8 [54]	9 [58]	3 [1]
-6S	6 x 6 [152]	2-11/32 [60]	13 [84]	4 [2]
-7S	7 x 7 [178]	2-3/8 [60]	21 [135]	5 [2]
-8S	8 x 8 [203]		6 [3]	
-10S	10 x 10 [254]		12 [5]	



PREFIXES	DESCRIPTION	STRAINER DESIGNATION	LIST PRICE
<b>ZN400*</b>	Polished Nickel Bronze Top	-5S	453.00
		-6S	527.00
		-7S	671.00
		-8S	850.00
		-10S	1,462.00
<b>ZB400</b>	Polished Bronze Top	-5S	399.00
		-6S	489.00
		-7S	615.00
		-8S	755.00
		-10S	1,352.00

SUFFIXES	ADD	
<b>-CP</b>	Chrome-Plated Bronze Top	26.00
<b>-HD</b>	Heavy-Duty Slotted Grate (ZN 6" x 6" only with 4" shank)	206.00
<b>-OF</b>	Oval Funnel (6", 7", 8", 10" Strainers Only) (See Z329-7)	-
<b>-PC</b>	Protective Cover	64.00
<b>-V</b>	Backwater Valve (Not Available with -Y)	380.00
<b>-VP</b>	Vandal-Proof Secured Top	58.00
<b>-Y</b>	Sediment Bucket (Not Available with -V)	109.00
<b>-4</b>	4" Diameter Funnel (See Z328)	-

BEST SELLERS	LIST PRICE
ZB400-5S	399.00
ZN400-5S	453.00
ZB400-5S-CP	425.00
ZB400-6S	489.00
ZB400-6S-CP	515.00
ZN400-6S	527.00
ZN400-6S-HD	733.00
ZN400-6S-VP	585.00
ZB400-8S	755.00
ZN400-8S	850.00

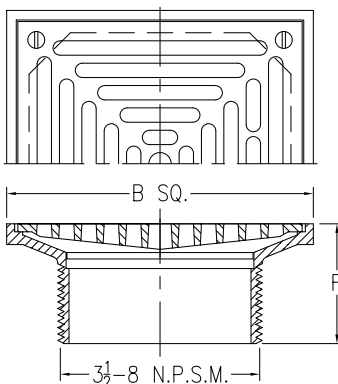
## ZS400 "TYPE SS" SQUARE STRAINER



### ENGINEERING SPECIFICATION

Zurn ZS400SS "TYPE SS" square adjustable strainer top includes heel-proof, medium-duty grate.

Strainer Designation	Dimensions in inches [mm]		Open Area sq in [cm <sup>2</sup> ]	Approximate Weight lb [kg]
	Size B	Height F		
-5SS	5 x 5 [127]	2 [51]	8-1/2 [55]	2-1/2 [1]
-6SS	6 x 6 [152]	2-1/4 [57]	13 [84]	3-1/2 [2]
-8SS	8 x 8 [203]		24-1/2 [158]	6-1/2 [3]



PREFIXES	DESCRIPTION	STRAINER DESIGNATION	LIST PRICE
<b>ZS400*</b>	Type 304 (CF8) Stainless Steel Top	-5SS	899.00
		-6SS	1,146.00
		-8SS	1,619.00
<b>ZM400</b>	Type 316 (CF8M) Stainless Steel Top	-5SS	POA
		-6SS	POA
		-8SS	POA

SUFFIXES	ADD	
<b>-VP</b>	Vandal-Proof Secured Top	58.00
<b>-Y</b>	Stainless Steel Sediment Bucket	109.00

BEST SELLERS	LIST PRICE
ZS400-5SS	899.00
ZS400-6SS	1,146.00
ZS400-8SS	1,619.00

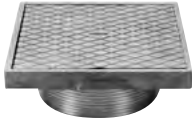
For additional product information, please visit [www.zurn.com](http://www.zurn.com)

\*Regularly furnished unless otherwise specified.

Items designated as Best Sellers are most specified and are generally in stock for shipment.

Ⓢ This symbol denotes a product that is engineered to reduce installation and rework time.

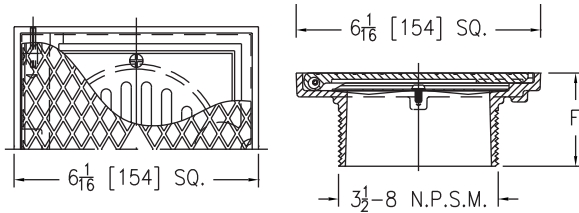
## Z400 "TYPE SC" SQUARE STRAINER WITH SOLID HINGED COVER



### ENGINEERING SPECIFICATION

Zurn Z( )400SC "TYPE SC" square adjustable strainer top includes secondary strainer and solid, scoriated, hinged, light-duty cover. (Specify ZB or ZN finish.)

Strainer Designation	Dimensions in inches [mm]		Approximate Weight lb [kg]
	Size B	Height F	
-6SC	6 [152]	2-15/16 [75]	7 [3]



PREFIXES	DESCRIPTION	STRAINER DESIGNATION	LIST PRICE
<b>ZN400*</b>	Polished Nickel Bronze Top	-6SC	<b>1,049.00</b>
<b>ZB400</b>	Polished Bronze Top	-6SC	<b>891.00</b>
SUFFIXES			ADD
-CP	Chrome-Plated		<b>295.00</b>
-GC	Gasketed Cover		<b>84.00</b>
-LR	Lift Ring		<b>224.00</b>
-TS	Top Secured with Slotted Screw		<b>58.00</b>
-VP	Vandal-Proof Secured Top		<b>58.00</b>
-Y	Sediment Bucket		<b>109.00</b>

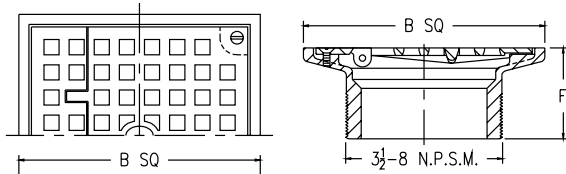
## Z400 "TYPE SH" SQUARE HINGED STRAINER



### ENGINEERING SPECIFICATION

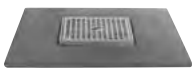
Zurn Z( )400SH "TYPE SH" square adjustable strainer top includes light-duty hinged grate. (Specify ZB or ZN finish.)

Strainer Designation	Dimensions in inches [mm]		Open Area sq in [cm <sup>2</sup> ]	Approximate Weight lb [kg]
	Size B	Height F		
-6SH	6 x 6 [152]	2-1/4 [57]	12 [77]	4 [2]
-8SH	8 x 8 [203]	3 [76]	21 [135]	8 [4]



PREFIXES	DESCRIPTION	STRAINER DESIGNATION	LIST PRICE
<b>ZN400*</b>	Polished Nickel Bronze Top	-6SH	<b>798.00</b>
		-8SH	<b>1,117.00</b>
<b>ZB400</b>	Polished Bronze Top	-6SH	<b>764.00</b>
		-8SH	<b>1,025.00</b>
SUFFIXES			ADD
-V	Backwater Valve (Not Available with -Y)		<b>380.00</b>
-VP	Vandal-Proof Secured Top		<b>58.00</b>
-Y	Sediment Bucket (Not Available with -V)		<b>109.00</b>
BEST SELLER			LIST PRICE
ZN400-6SH			<b>798.00</b>

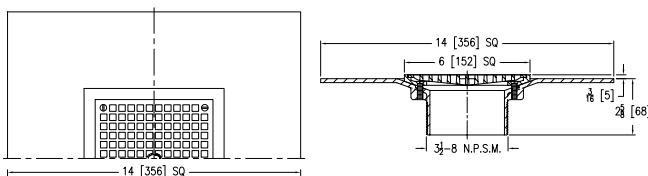
## Z400 "TYPE SL" SQUARE STRAINER WITH DEX-0-TEX FLANGE



### ENGINEERING SPECIFICATION

Zurn Z( )400SL "TYPE SL" square adjustable strainer top features Dura-Coated cast iron head with 14" square latex membrane flange, complete with polished bronze frame and secured, light-duty, heel-proof grate. (Specify ZB or ZN finish.)

Strainer Designation	Top Size inch [mm]	Open Area sq in [cm <sup>2</sup> ]	Approximate Weight lb [kg]
-6SL	6 x 6 [152]	14 [90]	12 [5]



PREFIXES	DESCRIPTION	STRAINER DESIGNATION	LIST PRICE
<b>ZN400*</b>	Polished Nickel Bronze Top	-6SL	<b>1,199.00</b>
<b>ZB400</b>	Polished Bronze Top	-6SL	<b>1,143.00</b>
SUFFIXES			ADD
-CP	Chrome-Plated Bronze Top		<b>26.00</b>
⌚ -PC	Protective Cover		<b>64.00</b>
-VP	Vandal-Proof Secured Top		<b>58.00</b>
-Y	Sediment Bucket		<b>109.00</b>

\*Regularly furnished unless otherwise specified.

Items designated as Best Sellers are most specified and are generally in stock for shipment.

⌚ This symbol denotes a product that is engineered to reduce installation and rework time.

For additional product information, please visit [www.zurn.com](http://www.zurn.com)

## ⌚ Z400 "TYPE SZ" SQUARE LEVELING STRAINER WITH SLOTTED OPENINGS



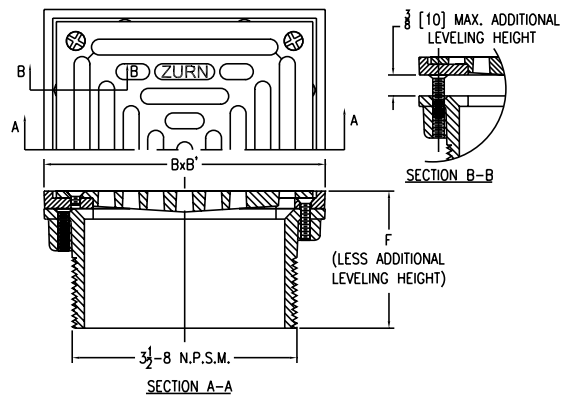
Patented

### ENGINEERING SPECIFICATION

Zurn Z( )400SZ "TYPE SZ" square adjustable light-duty leveling strainer top includes stainless steel leveling screws, slotted heel-proof openings, secured grate, and cast iron threaded head. (Specify ZB, ZN or ZS finish.) Leveling frame design shall provide a maximum flat adjustment height of 3/8" and a maximum slope adjustment of 7/8" per foot across flat sides of the frame.

Strainer Designation	Dimensions in inches [mm]		Open Area sq in [cm <sup>2</sup> ]	Approximate Weight lb [kg]
	Size B x B'	Height F		
-5SZ	5 x 5 [127]	2-7/16 [62]	8 [52]	3 [1]
-6SZ	6 x 6 [152]		12 [77]	4 [2]

PREFIXES	DESCRIPTION	STRAINER DESIGNATION	LIST PRICE
ZN400*	Polished Nickel Bronze Top	-5SZ	453.00
		-6SZ	527.00
ZB400	Polished Bronze Top	-5SZ	399.00
		-6SZ	489.00
ZS400	Polished Type 304 (CF8) Stainless Steel Top	-5SZ	POA
		-6SZ	POA
SUFFIXES			ADD
-CP	Chrome-Plated Bronze Top		26.00
-DP	Decorative Polished Top		171.00
⌚ -PC	Protective Cover		64.00
-V	Backwater Valve (Not Available with -Y)		380.00
-VP	Vandal-Proof Secured Top		58.00
-Y	Sediment Bucket (Not Available with -V)		109.00
<b>SEE LEGACY ADDENDUM ON PAGE 369 FOR MORE INFORMATION</b>			



## 🕒 Z400-SR FLOOR DRAIN STABILIZER RING



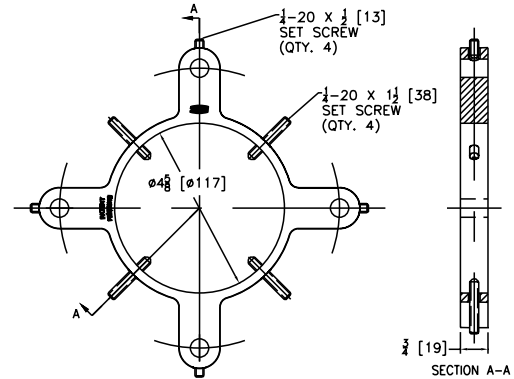
Patented

### ENGINEERING SPECIFICATION

Zurn Z400-SR floor drain stabilizer ring features Dura-Coated cast iron ring with four 1/4"-20 x 1/2" securing screws, four 1/4"-20 x 1-1/2" securing screws, and four 3/8"-16 x 7" long threaded rods. Stabilizer ring is designed to accommodate 2", 3", and 4" pipe and used with 8-3/8" diameter (Z415) drain body.

A Pipe Size inches [mm]	Approximate Weight lb [kg]
2 [51], 3 [76], 4 [102]	3 [1]

PREFIXES	DESCRIPTION	A PIPE SIZE	LIST PRICE
Z400-SR*	Stabilizer Ring	2", 3", 4"	121.00



## Z400-U ADJUSTABLE STRAINER EXTENSION

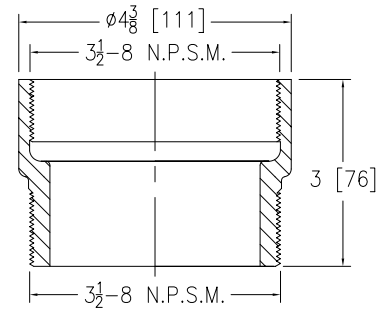


### ENGINEERING SPECIFICATION

Zurn Z400-U "Type U" adjustable strainer extension is used as a drain extension, but also as a hub drain.

Product Designation	Size inch [mm]	Approximate Weight lb [kg]
-U	3-1/2 [89]	2 [1]

PREFIXES	DESCRIPTION	A PIPE SIZE	LIST PRICE
Z400-U*	D.C.C.I.	3-1/2"	140.00
ZN400-U	Cast Nickel Bronze Body	3-1/2"	263.00
<b>BEST SELLER</b>			<b>LIST PRICE</b>
Z400-U			140.00



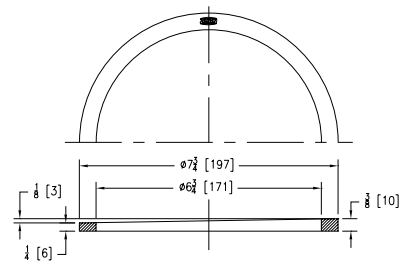
## 🕒 Z400-18 LEVELING RING



### ENGINEERING SPECIFICATION

Zurn Z400-18 with Dura-Coated cast iron tapered ring can level Z415 clamp collar for 1/8" out-of-level conditions.

PREFIXES	DESCRIPTION	LIST PRICE
Z400-18*	Leveling Ring	37.00



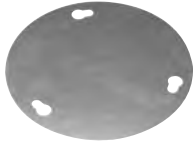
\*Regularly furnished unless otherwise specified.

Items designated as Best Sellers are most specified and are generally in stock for shipment.

🕒 This symbol denotes a product that is engineered to reduce installation and rework time.

For additional product information, please visit [www.zurn.com](http://www.zurn.com)

## 🕒 Z499B ROUND PROTECTIVE COVER FOR FLOOR DRAINS

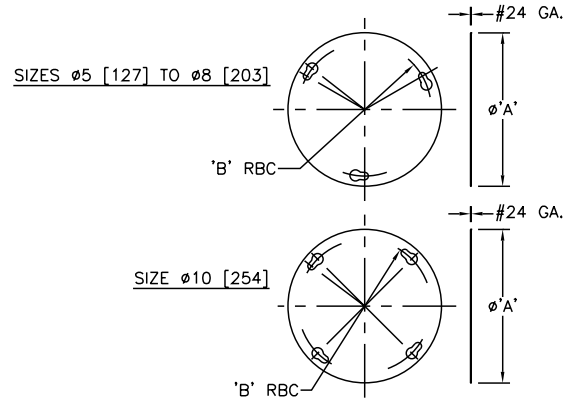


### ENGINEERING SPECIFICATION

Zurn Z499B floor drain protective cover features galvanized carbon steel plate with slotted screw holes to allow rotational assembly and removal without disengaging the strainer screws. Designed for use with standard ZB and ZN400 'Type B' strainer assemblies.

Product Designation	No. of Screw Slots	Diameter A inch [mm]	B RBC inch [mm]
-5	3	5-3/16 [132]	2-1/4 [57]
-6		6-3/16 [157]	2-3/4 [70]
-7		7 [178]	3-1/8 [79]
-8	4	8 [203]	3-5/8 [92]
-10		9-5/8 [244]	4-1/8 [104]

PREFIXES	DESCRIPTION	PRODUCT DESIGNATION	LIST PRICE
Z499B*	Floor Drain Protective Cover	-5, -6, -7, -8, -10	64.00



## 🕒 Z499S SQUARE PROTECTIVE COVER FOR FLOOR DRAINS

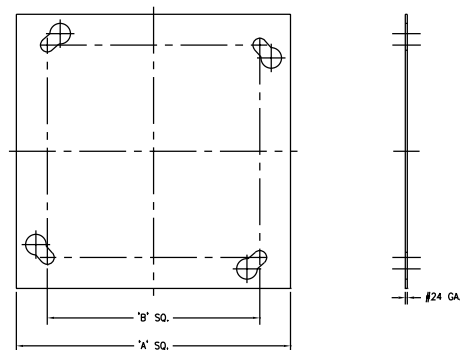


### ENGINEERING SPECIFICATION

Zurn Z499S floor drain protective cover features galvanized carbon steel plate with slotted screw holes to allow rotational assembly and removal without disengaging the strainer screws. Designed for use with standard ZB and ZN400 'Type S' strainer assemblies.

Product Designation	No. of Screw Slots	Diameter A inch [mm]	B RBC inch [mm]
-5	4	5 [127]	3-7/8 [98]
-6		6 [152]	4-7/8 [124]
-7		7 [178]	6 [152]
-8		8 [203]	7-1/8 [181]
-9		9 [229]	
-10		10 [254]	

PREFIXES	DESCRIPTION	PRODUCT DESIGNATION	LIST PRICE
Z499S*	Floor Drain Protective Cover	-5, -6, -7, -8, -10	64.00





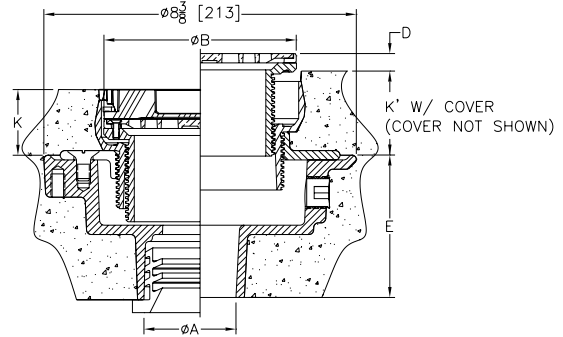
# 🕒 Z415-BZ1 BODY ASSEMBLY W/ "TYPE B" STRAINER AND EZ1™ TECHNOLOGY



Patent Pending

## ENGINEERING SPECIFICATION

Zurn Z415-BZ1 floor and shower drain features Dura-coated cast iron body with bottom outlet, combination invertible membrane clamp and adjustable collar with seepage slots, and top assembly. EZ1 drainage series is engineered to simplify product installation, comprised of concrete shield, up to 1" [25] of vertical post pour adjustment, pre-packaged shims for tilt correction and integrated self-contained "Type B" light duty strainer with rough-in cover for protection during concrete pour.



## NOTES

Minimum K dimension only with -LR option for 6" and 8"

Strainer Designation	Dimensions in inches								Strainer Open Area Sq. In [cm²]	Approximate Weight lb [kg]
	A Pipe Size	B Strainer Dia.	D		K		K'			
			Min.	Max.	Min.	Max.	Min.	Max.		
-5B	2-3 [51-76]	5 [127]	0	1 [25]	1-25/32 [45]	2-31/32 [75]	2-9/32 [58]	3-15/32 [88]	6-1/4 [40]	16 [7]
-6B	2-3-4 [51-76-102]	6 [152]	0	1 [25]	1-13/16 [46]	3 [76]	2-5/16 [59]	3-1/2 [89]	9 [58]	19 [9]
-8B	3-4 [76-102]	8 [203]	0	31/32 [25]	2-5/32 [55]	3-11/32 [85]	2-21/32 [67]	3-27/32 [98]	20 [129]	24 [11]
-8B	6 [152]	8 [203]	0	31/32 [25]	2-5/32 [55]	3-11/32 [85]	2-21/32 [67]	3-27/32 [98]	20 [129]	26 [12]

PREFIXES	DESCRIPTION	STRAINER DESIG.	PIPE SIZE	LIST PRICE
<b>ZN415-BZ1*</b>	D.C.C.I. Body Assembly with Polished Nickel Bronze Top	-5B	2", 3"	<b>484.00</b>
		-6B	2", 3", 4"	<b>592.00</b>
		-8B	3", 4"	<b>851.00</b>
			6"	<b>1,396.00</b>
<b>ZB415-BZ1</b>	D.C.C.I. Body Assembly with Polished Bronze Top	-5B	2", 3"	<b>460.00</b>
		-6B	2", 3", 4"	<b>535.00</b>
		-8B	3", 4"	<b>807.00</b>
			6"	<b>1,351.00</b>
<b>ZS415-BZ1</b>	D.C.C.I. Body Assembly with Stainless Steel Top	-5B	2", 3"	<b>1,042.00</b>
		-6B	2", 3", 4"	<b>1,298.00</b>
		-8B	3", 4"	<b>1,754.00</b>
			6"	<b>2,299.00</b>

OUTLETS (SPECIFY PIPE SIZE IN INCHES AND TYPE OF OUTLET)				
OUTLET TYPE		PIPE SIZE/ OUTLET TYPE	E BODY HT. DIM.	ADD
<b>IC</b>	Inside Caulk	2IC, 3IC, 4IC	4-3/16"	<b>N/C</b>
<b>IP</b>	Threaded	2IP	2-7/16"	<b>80.00</b>
		3IP	2-3/4"	<b>80.00</b>
		4IP	2-13/16"	<b>80.00</b>
		6IP	2-7/8"	<b>80.00</b>
<b>NH</b>	No-Hub	2NH, 3NH, 4NH	3-13/16"	<b>N/C</b>
<b>NL</b>	Neo-Loc	2NL, 3NL, 4NL	3-7/8"	<b>N/C</b>

SUFFIXES	ADD
<b>-AR</b>	Acid Resisting Epoxy Coated Cast Iron <b>171.00</b>
ⓐ <b>-EF</b>	3/4" Extension Frame <b>299.00</b>
<b>-G</b>	Galvanized Cast Iron <b>198.00</b>
<b>-LR</b>	Low Rough-In (For 6" & 8" Only) <b>N/C</b>
<b>-P</b>	Trap Primer Connection (Specify 1/2") <b>N/C</b>
ⓐ <b>-SA</b>	Stabilizer Assembly (See Z1035) <b>138.00</b>
ⓐ <b>-SQ</b>	Stabilizer Q-deck (See Z1035-Q) <b>184.00</b>
ⓐ <b>-SR</b>	Stabilizer Ring (See Z400-SR) <b>121.00</b>
ⓐ <b>-TC</b>	Neo-Loc Test Cap Gasket (2", 3", 4" NL Bottom Outlet Only) <b>24.00</b>
<b>-TSP</b>	Trap Seal Protection Device (Size Matches Drain Outlet Selected, See Z1072) <b>POA</b>
<b>-U</b>	2"-3-1/4" High Extension Adapter D.C. <b>140.00</b>
	Galv. <b>306.00</b>
<b>-UP</b>	1-3/4" Pre-Pour Adjustment Extension Adapter <b>140.00</b>
<b>-VP</b>	Vandal-Proof Secured Top <b>58.00</b>
<b>-Y</b>	Sediment Bucket <b>109.00</b>
BEST SELLERS LIST PRICE	
ZN415-2NH-BZ1	<b>484.00</b>
ZN415-3NH-BZ1	<b>484.00</b>
ZN415-3NH-6BZ1	<b>592.00</b>

\*Regularly furnished unless otherwise specified.

Items designated as Best Sellers are most specified and are generally in stock for shipment.

🕒 This symbol denotes a product that is engineered to reduce installation and rework time.

For additional product information, please visit [www.zurn.com](http://www.zurn.com)

INTRO ROOF DRAINS FLOOR DRAINS T, P, BW VALVES INTERCEPTORS CARRIERS HYDRANTS CLEANOUTS W/HA SS DRAINS FAB SS DRAINS SAN-FLOOR TECH INFO

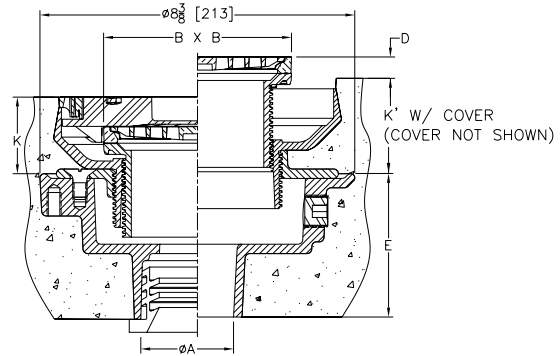
# Ⓢ Z415-SZ1 BODY ASSEMBLY W/ "TYPE S" STRAINER AND EZ1™ TECHNOLOGY



Patent Pending

## ENGINEERING SPECIFICATION

Zurn Z415-SZ1 floor and shower drain features Dura-coated cast iron body with bottom outlet, combination invertible membrane clamp, and adjustable collar with seepage slots and top assembly. EZ1 drainage series is engineered to simplify product installation, comprised of concrete shield, up to 1" [25] of vertical post pour adjustment, pre-packaged shims for tilt correction and integrated self-contained "Type S" nickel bronze light duty strainer with rough-in cover for protection during concrete pour.



## NOTES

Minimum K dimension only with -LR option

Strainer Designation	Dimensions in inches								Strainer Open Area Sq. In [cm <sup>2</sup> ]	Approximate Weight lb [kg]
	A Pipe Size	BxB Strainer Top Size	D		K		K'			
			Min.	Max.	Min.	Max.	Min.	Max.		
-5S	2-3 [51-76]	5 X 5 [127 X 127]	0	1 [25]	2-1/16 [52]	3-1/4 [83]	2-9/16 [65]	3-3/4 [95]	9 [58]	19 [9]
-6S	2-3-4 [51-76-102]	6 X 6 [152 X 152]	0	1 [25]	2-1/8 [54]	3-5/16 [84]	2-5/8 [67]	3-13/16 [97]	13 [84]	22 [10]
-8S	3-4 [76-102]	8 X 8 [203 X 203]	0	15/16 [24]	2-1/2 [64]	3-11/16 [94]	3 [76]	4-3/16 [106]	27 [174]	27 [12]
-8S	6 [152]	8 X 8 [203 X 203]	0	15/16 [24]	2-1/2 [64]	3-11/16 [94]	3 [76]	4-3/16 [106]	27 [174]	28 [13]

PREFIXES	DESCRIPTION	STRAINER DESIG.	PIPE SIZE	LIST PRICE
<b>ZN415-SZ1*</b>	D.C.C.I. Body Assembly with Polished Nickel Bronze Top	-5S	2", 3"	<b>645.00</b>
		-6S	2", 3", 4"	<b>719.00</b>
		-8S	3", 4"	<b>1,042.00</b>
<b>ZB415-SZ1</b>	D.C.C.I. Body Assembly with Polished Bronze Top	-5S	2", 3"	<b>592.00</b>
		-6S	2", 3", 4"	<b>680.00</b>
		-8S	3", 4"	<b>946.00</b>
<b>ZS415-SZ1</b>	D.C.C.I. Body Assembly with Stainless Steel Top	-5S	2", 3"	<b>1,091.00</b>
		-6S	2", 3", 4"	<b>1,337.00</b>
		-8S	3", 4"	<b>1,812.00</b>

OUTLETS (SPECIFY PIPE SIZE IN INCHES AND TYPE OF OUTLET)				
OUTLET TYPE		PIPE SIZE/ OUTLET TYPE	E BODY HT. DIM.	ADD
<b>IC</b>	Inside Caulk	2IC, 3IC, 4IC	4-3/16"	<b>N/C</b>
<b>IP</b>	Threaded	2IP	2-7/16"	<b>80.00</b>
		3IP	2-3/4"	<b>80.00</b>
		4IP	2-13/16"	<b>80.00</b>
		6IP	2-7/8"	<b>80.00</b>
<b>NH</b>	No-Hub	2NH, 3NH, 4NH	3-13/16"	<b>N/C</b>
<b>NL</b>	Neo-Loc	2NL, 3NL, 4NL	3-7/8"	<b>N/C</b>

SUFFIXES		ADD	
<b>-AR</b>	Acid Resisting Epoxy Coated Cast Iron	<b>171.00</b>	
Ⓢ <b>-EF</b>	3/4" Extension Frame	<b>281.00</b>	
<b>-G</b>	Galvanized Cast Iron	<b>185.00</b>	
<b>-LR</b>	Low Rough-In	<b>N/C</b>	
<b>-P</b>	Trap Primer Connection (Specify 1/2"*)	<b>N/C</b>	
Ⓢ <b>-SA</b>	Stabilizer Assembly (See Z1035)	<b>138.00</b>	
Ⓢ <b>-SQ</b>	Stabilizer Q-deck (See Z1035-Q)	<b>184.00</b>	
Ⓢ <b>-SR</b>	Stabilizer Ring (See Z400-SR)	<b>121.00</b>	
Ⓢ <b>-TC</b>	Neo-Loc Test Cap Gasket (2", 3", 4" NL Bottom Outlet Only)	<b>22.00</b>	
<b>-TSP</b>	Trap Seal Protection Device (Size Matches Drain Outlet Selected, See Z1072)	<b>POA</b>	
<b>-U</b>	2"-3-1/4" High Extension Adapter	D.C.	<b>140.00</b>
		Galv.	<b>306.00</b>
<b>-UP</b>	1-3/4" Pre-Pour Adjustment Extension Adapter	<b>140.00</b>	
<b>-VP</b>	Vandal-Proof Secured Top	<b>58.00</b>	
<b>-Y</b>	Sediment Bucket	<b>102.00</b>	

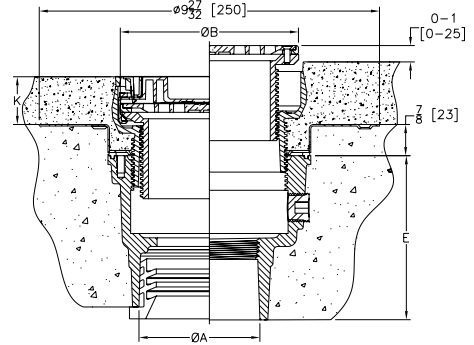
## 🕒 Z415-BZ1-DP BODY ASSEMBLY W/ "TYPE B" STRAINER, DECK PLATE AND EZ1™ TECHNOLOGY



Patent Pending

### ENGINEERING SPECIFICATION

Zurn Z415-BZ1-DP floor and shower drain features Dura-Coated cast iron body with bottom outlet, stainless steel deck plate and top assembly. EZ1 drainage series is engineered to simplify product installation, comprised of concrete shield to provide up to 1" [25] of vertical post pour adjustment, pre-packaged shims for tilt correction, and integrated, self-contained "Type B" light duty strainer with rough-in cover for protection during concrete pour.



Strainer Designation	Dimensions in inches				Strainer Open Area Sq. In [cm <sup>2</sup> ]	Approximate Weight lb [kg]
	A Pipe Size	B Strainer Diameter	K			
			Min.	Max.		
-5B	2-3-4 [51-76-102]	5 [127]	29/32 [23]	1-13/16 [46]	6-1/4 [40]	14 [6]

PREFIXES	DESCRIPTION	STRAINER DESIG.	PIPE SIZE	LIST PRICE
<b>ZN415-5BZ1-DP*</b>	D.C.C.I. Body Assembly with Polished Nickel Bronze Top	-5B	2", 3", 4"	<b>604.00</b>
<b>ZB415-5BZ1-DP</b>	D.C.C.I. Body Assembly with Polished Bronze Top	-5B	2", 3", 4"	<b>581.00</b>
<b>ZS415-5BZ1-DP</b>	D.C.C.I. Body Assembly with Stainless Steel Top	-5B	2", 3", 4"	<b>1,113.00</b>

OUTLETS (SPECIFY PIPE SIZE IN INCHES AND TYPE OF OUTLET)				
OUTLET TYPE		PIPE SIZE/ OUTLET TYPE	E BODY HT. DIM.	ADD
NH	No-Hub	2NH, 3NH	4-3/4"	N/C
		4NH	4-3/8"	N/C
NL	Neo-Loc	2NL	5-1/4"	N/C
		3NL, 4NL	4-3/8"	N/C

SUFFIXES		ADD
-AR	Acid Resisting Epoxy Coated Cast Iron	<b>159.00</b>
-CC	Stainless Steel Clamp Collar	<b>55.00</b>
🕒 -EF	3/4" Extension Frame	<b>281.00</b>
-G	Galvanized Cast Iron	<b>185.00</b>
-P	Trap Primer Connection (1/2"*)	<b>N/C</b>
🕒 -TC	Neo-Loc Test Cap Gasket (2", 3", 4" NL Bottom Outlet Only)	<b>22.00</b>
-TSP	Trap Seal Protection Device (Size Matches Drain Outlet Selected, Not Available in 4", See Z1072)	<b>POA</b>
-U	2"-3-1/4" High Extension Adapter	D.C. <b>140.00</b>
		Galv. <b>306.00</b>
-UP	1-3/4" Pre-Pour Adjustment Extension Adapter	<b>140.00</b>
-VP	Vandal-Proof Secured Top	<b>58.00</b>
-Y	Sediment Bucket	<b>102.00</b>

\*Regularly furnished unless otherwise specified.

Items designated as Best Sellers are most specified and are generally in stock for shipment.

🕒 This symbol denotes a product that is engineered to reduce installation and rework time.

For additional product information, please visit [www.zurn.com](http://www.zurn.com)

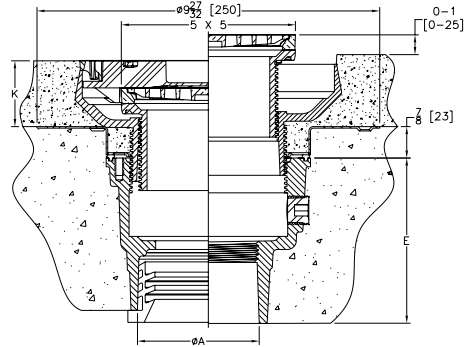
## Ⓢ Z415-SZ1-DP BODY ASSEMBLY W/ "TYPE S" STRAINER, DECK PLATE AND EZ1™ TECHNOLOGY



Patent Pending

### ENGINEERING SPECIFICATION

Zurn Z415-SZ1-DP floor and shower drain features Dura-Coated cast iron body with bottom outlet, stainless steel deck plate, and top assembly. EZ1 drainage series is engineered to simplify product installation, comprised of concrete shield to provide up to 1" [25] of vertical post pour adjustment, pre-packaged shims for tilt correction, and integrated, self-contained "Type S" light duty strainer with rough-in cover for protection during concrete pour.



Strainer Designation	Dimensions in inches				Strainer Open Area Sq. In [cm <sup>2</sup> ]	Approximate Weight lb [kg]
	A Pipe Size	BxB Strainer Top Size	K			
			Min.	Max.		
-5S	2-3-4 [51-76-102]	5 X 5 [127 X127]	1-15/16 [49]	2-3/32 [53]	9 [58]	16 [7]

PREFIXES	DESCRIPTION	STRAINER DESIG.	PIPE SIZE	LIST PRICE
<b>ZN415-5SZ1-DP*</b>	D.C.C.I. Body Assembly with Polished Nickel Bronze Top	-5S	2", 3", 4"	<b>734.00</b>
<b>ZB415-5SZ1-DP</b>	D.C.C.I. Body Assembly with Polished Bronze Top	-5S	2", 3", 4"	<b>730.00</b>
<b>ZS415-5SZ1-DP</b>	D.C.C.I. Body Assembly with Stainless Steel Top	-5S	2", 3", 4"	<b>1,265.00</b>

OUTLETS (SPECIFY PIPE SIZE IN INCHES AND TYPE OF OUTLET)				
OUTLET TYPE		PIPE SIZE/ OUTLET TYPE	E BODY HT. DIM.	ADD
<b>NH</b>	No-Hub	2NH, 3NH	4-3/4"	<b>N/C</b>
		4NH	4-3/8"	<b>N/C</b>
<b>NL</b>	Neo-Loc	2NL	5-1/4"	<b>N/C</b>
		3NL, 4NL	4-3/8"	<b>N/C</b>

SUFFIXES		ADD	
<b>-AR</b>	Acid Resisting Epoxy Coated Cast Iron	<b>159.00</b>	
Ⓢ <b>-CC</b>	Stainless Steel Clamp Collar	<b>55.00</b>	
<b>-EF</b>	3/4" Extension Frame	<b>281.00</b>	
<b>-G</b>	Galvanized Cast Iron	<b>185.00</b>	
<b>-P</b>	Trap Primer Connection (1/2"*)	<b>N/C</b>	
Ⓢ <b>-TC</b>	Neo-Loc Test Cap Gasket (2", 3", 4" NL Bottom Outlet Only)	<b>22.00</b>	
<b>-TSP</b>	Trap Seal Protection Device (Size Matches Drain Outlet Selected, Not Available in 4", See Z1072)	<b>POA</b>	
<b>-U</b>	2"-3-1/4" High Extension Adapter	D.C.	<b>140.00</b>
		Galv.	<b>306.00</b>
<b>-UP</b>	1-3/4" Pre-Pour Adjustment Extension Adapter	<b>140.00</b>	
<b>-VP</b>	Vandal-Proof Secured Top	<b>58.00</b>	
<b>-Y</b>	Sediment Bucket	<b>102.00</b>	

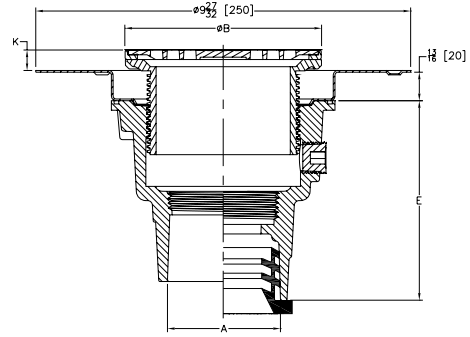
## 🕒 Z415B-DP BODY ASSEMBLY W/ "TYPE B" STRAINER AND DECK PLATE



Patent Pending

### ENGINEERING SPECIFICATION

Zurn Z415B-DP floor and shower drain features Dura-Coated cast iron body with bottom outlet, stainless steel deck plate, and "Type B" polished nickel bronze light duty top assembly.



Strainer Designation	Dimensions in inches				Strainer Open Area Sq. In [cm <sup>2</sup> ]	Approximate Weight lb [kg]
	A Pipe Size	B Strainer Diameter	K			
			Min.	Max.		
-5B	2-3-4 [51-76-102]	5 [127]	0	1-7/16 [37]	6-1/4 [40]	11 [5]

PREFIXES	DESCRIPTION	STRAINER DESIG.	PIPE SIZE	LIST PRICE
<b>ZN415-B-DP*</b>	D.C.C.I. Body Assembly with Polished Nickel Bronze Top	-5B	2", 3", 4"	<b>604.00</b>
<b>ZB415-B-DP</b>	D.C.C.I. Body Assembly with Polished Bronze Top	-5B	2", 3", 4"	<b>581.00</b>
<b>ZS415-B-DP</b>	D.C.C.I. Body Assembly with Stainless Steel Top	-5B	2", 3", 4"	<b>1,113.00</b>

OUTLETS (SPECIFY PIPE SIZE IN INCHES AND TYPE OF OUTLET)				
OUTLET TYPE		PIPE SIZE/ OUTLET TYPE	E BODY HT. DIM.	ADD
<b>NH</b>	No-Hub	2NH	4-7/8"	<b>N/C</b>
		3NH	4-3/4"	<b>N/C</b>
		4NH	4"	<b>N/C</b>
<b>NL</b>	Neo-Loc	2NL	5-1/4"	<b>N/C</b>
		3NL	4-3/8"	<b>N/C</b>
		4NL	4-3/8"	<b>N/C</b>

SUFFIXES		ADD	
<b>-AR</b>	Acid Resisting Epoxy Coated Cast Iron	<b>159.00</b>	
<b>-CC</b>	Stainless Steel Clamp Collar	<b>55.00</b>	
🕒 <b>-EF</b>	3/4" Extension Frame	<b>281.00</b>	
<b>-FI</b>	Floor Insert	<b>58.00</b>	
<b>-G</b>	Galvanized Cast Iron	<b>185.00</b>	
<b>-P</b>	Trap Primer Connection (1/2"*)	<b>NC</b>	
🕒 <b>-TC</b>	Neo-Loc Test Cap Gasket (2", 3", 4" NL Bottom Outlet Only)	<b>22.00</b>	
<b>-U</b>	2"-3-1/4" High Extension Adapter	D.C.	<b>140.00</b>
		Galv.	<b>306.00</b>
<b>-VP</b>	Vandal-Proof Secured Top	<b>58.00</b>	
<b>-Y</b>	Sediment Bucket	<b>102.00</b>	

\*Regularly furnished unless otherwise specified.

Items designated as Best Sellers are most specified and are generally in stock for shipment.

🕒 This symbol denotes a product that is engineered to reduce installation and rework time.

For additional product information, please visit [www.zurn.com](http://www.zurn.com)

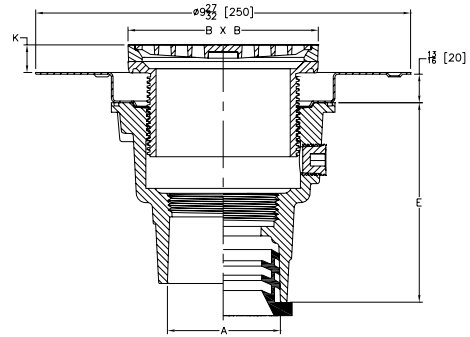
## Ⓢ Z415S-DP BODY ASSEMBLY W/ "TYPE S" STRAINER AND DECK PLATE



Patent Pending

### ENGINEERING SPECIFICATION

Zurn Z415S-DP floor and shower drain, Dura-Coated cast iron body with bottom outlet, stainless steel deck plate, and "Type S" polished nickel bronze light duty top assembly.



Strainer Designation	Dimensions in inches			Strainer Open Area Sq. In [cm <sup>2</sup> ]	Approximate Weight lb [kg]	
	A Pipe Size	BxB Strainer Top Size	K			
			Min.			Max.
-5S	2-3-4 [51-76-102]	5 X 5 [127 X 127]	7/16 [11]	1-7/16 [37]	9 [58]	12 [5]

PREFIXES	DESCRIPTION	STRAINER DESIG.	PIPE SIZE	LIST PRICE
<b>ZN415-S-DP*</b>	D.C.C.I. Body Assembly with Polished Nickel Bronze Top	-5S	2", 3", 4"	<b>734.00</b>
<b>ZB415-S-DP</b>	D.C.C.I. Body Assembly with Polished Bronze Top	-5S	2", 3", 4"	<b>730.00</b>
<b>ZS415-S-DP</b>	D.C.C.I. Body Assembly with Stainless Steel Top	-5S	2", 3", 4"	<b>1,265.00</b>

OUTLETS (SPECIFY PIPE SIZE IN INCHES AND TYPE OF OUTLET)				
OUTLET TYPE		PIPE SIZE/ OUTLET TYPE	E BODY HT. DIM.	ADD
<b>NH</b>	No-Hub	2NH	4-7/8"	<b>N/C</b>
		3NH	4-3/4"	<b>N/C</b>
		4NH	4"	<b>N/C</b>
<b>NL</b>	Neo-Loc	2NL	5-1/4"	<b>N/C</b>
		3NL	4-3/8"	<b>N/C</b>
		4NL	4-3/8"	<b>N/C</b>

SUFFIXES		ADD	
<b>-AR</b>	Acid Resisting Epoxy Coated Cast Iron	<b>159.00</b>	
<b>-CC</b>	Stainless Steel Clamp Collar	<b>55.00</b>	
Ⓢ <b>-EF</b>	3/4" Extension Frame	<b>281.00</b>	
<b>-G</b>	Galvanized Cast Iron	<b>185.00</b>	
<b>-P</b>	Trap Primer Connection (1/2"*)	<b>N/C</b>	
Ⓢ <b>-TC</b>	Neo-Loc Test Cap Gasket (2", 3", 4" NL Bottom Outlet Only)	<b>22.00</b>	
<b>-U</b>	2"-3-1/4" High Extension Adapter	D.C.	<b>140.00</b>
		Galv.	<b>306.00</b>
<b>-VP</b>	Vandal-Proof Secured Top	<b>58.00</b>	
<b>-Y</b>	Sediment Bucket	<b>102.00</b>	

# Z415 BODY ASSEMBLY WITH HEEL-PROOF "TYPE B" STRAINER

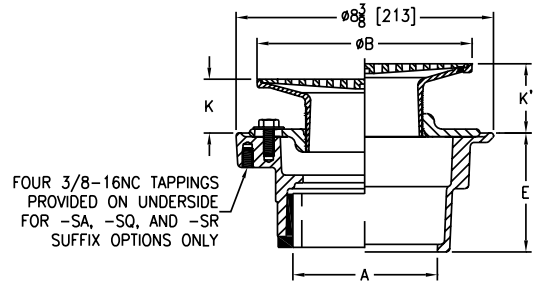


## ENGINEERING SPECIFICATION

Zurn ZN415B floor and shower drain features Dura-Coated cast iron body with bottom outlet, combination invertible membrane clamp and adjustable collar with seepage holes, and "TYPE B" polished nickel bronze, light-duty strainer.

## NOTES

For other available strainer variations see Z400 Strainer Series. Add price for required strainer to "BODY ONLY" price in chart. Specify type and size required.



Strainer Designation	Dimensions in inches [mm]						Str. Open Area sq in [cm <sup>2</sup> ]	Approximate Weight lb [kg]
	A Pipe Size	B Diameter	K		K			
			Min.	Max.	Min.	Max.		
-5B	2 [51], 3 [76]	5 [127]	1 [25]	1-1/2 [38]	1-3/32 [27]	2-1/4 [57]	6-1/4 [40]	11 [5]
-6B	2 [51], 3 [76], 4 [102]	6 [152]		1-25/32 [45]	1-13/32 [36]	2-17/32 [64]	9 [58]	13 [6]
-7B		7 [178]		2-1/8 [54]	1-23/32 [44]	2-7/8 [73]	12 [77]	14 [6]
-8B	3 [76], 4 [102]	8 [203]	1-5/32 [29]		1-3/4 [44]		19 [122]	16 [7]
-10B	6 [152]	10 [254]	1-7/16 [37]	2-1/2 [64]	2 [51]	3-1/4 [83]	23 [148]	22 [10]

PREFIXES	DESCRIPTION	STRAINER DESIG.	PIPE SIZE	LIST PRICE
<b>ZN415*</b>	D.C.C.I. Body Assembly with Polished Nickel Bronze Top	-5B	2", 3"	<b>484.00</b>
		-6B	2", 3", 4"	<b>592.00</b>
		-7B	2", 3", 4"	<b>680.00</b>
		-8B	3", 4"	<b>851.00</b>
			6"	<b>1,396.00</b>
		-10B	6"	<b>1,708.00</b>
<b>ZB415</b>	D.C.C.I. Body Assembly with Polished Bronze Top	-5B	2", 3"	<b>460.00</b>
		-6B	2", 3", 4"	<b>535.00</b>
		-7B	2", 3", 4"	<b>646.00</b>
		-8B	3", 4"	<b>807.00</b>
			6"	<b>1,351.00</b>
		-10B	6"	<b>1,647.00</b>
<b>Z415</b>	D.C.C.I. Body Assembly ONLY (add "-L/Top" to product sku)	No Strainer	2", 3", 4"	<b>194.00</b>
			6"	<b>739.00</b>

OUTLETS (SPECIFY PIPE SIZE IN INCHES AND TYPE OF OUTLET)			
OUTLET TYPE	PIPE SIZE/ OUTLET TYPE	E BODY HT. DIM.	ADD
<b>IC</b>	Inside Caulk	2IC, 3IC, 4IC	4-3/16" <b>N/C</b>
<b>IP</b>	Threaded	2IP	2-7/16" <b>80.00</b>
		3IP	2-3/4" <b>80.00</b>
		4IP	2-13/16" <b>80.00</b>
		6IP	2-7/8" <b>80.00</b>
<b>NH</b>	No-Hub	2NH, 3NH, 4NH	3-13/16" <b>N/C</b>
<b>NL</b>	Neo-Loc	2NL, 3NL, 4NL	3-7/8" <b>N/C</b>

BEST SELLERS	LIST PRICE
ZB415-2NH-5B	<b>460.00</b>
ZB415-2NH-5B-CP	<b>486.00</b>
ZB415-2NH-5B-P	<b>460.00</b>
ZB415-2NL-5B	<b>460.00</b>
ZN415-2IP-5B	<b>564.00</b>
ZN415-2NH-5B	<b>484.00</b>
ZN415-2NH-5B-CP	<b>510.00</b>
ZN415-2NH-5B-G	<b>682.00</b>
ZN415-2NL-5B	<b>484.00</b>

SUFFIXES	ADD
<b>-AR</b>	Acid Resisting Epoxy Coated Cast Iron <b>171.00</b>
<b>-CP</b>	Chrome-Plated Bronze Top <b>26.00</b>
<b>-G</b>	Galvanized Cast Iron <b>198.00</b>
<b>-HD</b>	Heavy-Duty Slotted Grate (ZN 5" and 6" sizes only) <b>206.00</b>
<b>-OF</b>	Oval Funnel - 6" thru 10" Strainers Only (See ZB Z329-7) <b>365.00</b>
	ZN <b>421.00</b>
<b>-P</b>	Trap Primer Connection (1/2") <b>N/C</b>
Ⓢ <b>-PC</b>	Protective Cover <b>64.00</b>
Ⓢ <b>-SA</b>	Stabilizer Assembly (See Z1035) <b>138.00</b>
Ⓢ <b>-SQ</b>	Stabilizer Q-deck (See Z1035-Q) <b>184.00</b>
Ⓢ <b>-SR</b>	Stabilizer Ring (See Z400-SR) <b>121.00</b>
Ⓢ <b>-TC</b>	Neo-Loc Test Cap Gasket (2", 3", 4" NL Bottom Outlet Only) <b>24.00</b>
<b>-TSP</b>	Trap Seal Protection Device (Size Matches Drain Outlet Selected, See Z1072) <b>POA</b>
<b>-U</b>	1"-3" High Extension Adapter (See Z400-U) D.C. <b>140.00</b>
	Galv. <b>306.00</b>
	For each additional 1" above 3" <b>98.00</b>
<b>-V</b>	Backwater Valve (Not Available with -Y) <b>380.00</b>
<b>-VP</b>	Vandal-Proof Secured Top <b>58.00</b>
<b>-Y</b>	Sediment Bucket (Not Available with -V) <b>109.00</b>
<b>-4</b>	4" Diameter Funnel ZB <b>365.00</b>
	ZN <b>421.00</b>
<b>-90</b>	90° Threaded Side Outlet Body (2" and 3" Only) <b>219.00</b>

BEST SELLERS	LIST PRICE
ZB415-3NH-5B	<b>460.00</b>
ZB415-3NH-5B-P	<b>460.00</b>
ZN415-3NH-5B-P	<b>484.00</b>
ZB415-3NH-6B	<b>535.00</b>
ZN415-2NH-6B	<b>592.00</b>
ZN415-2NH-6B-P	<b>592.00</b>
ZB415-3NH-7B-SA	<b>771.00</b>
ZN415-2NH-7B	<b>680.00</b>

\*Regularly furnished unless otherwise specified.

Items designated as Best Sellers are most specified and are generally in stock for shipment.

Ⓢ This symbol denotes a product that is engineered to reduce installation and rework time.

For additional product information, please visit [www.zurn.com](http://www.zurn.com)

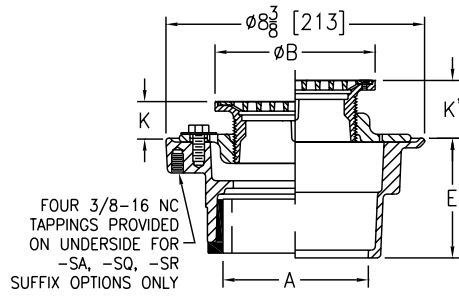
INTRO ROOF DRAINS FLOOR DRAINS T, P, BW VALVES INTERCEPTORS CARRIERS HYDRANTS CLEANOUTS W/HA SS DRAINS FAB SS DRAINS SANI-FLOOR TECH INFO

# ZS415 BODY ASSEMBLY WITH "TYPE BS" STRAINER



## ENGINEERING SPECIFICATION

Zurn ZS415BS floor and shower drain features Dura-Coated cast iron body with bottom outlet, combination invertible membrane clamp and adjustable collar with seepage slots, and "TYPE BS" stainless steel heel-proof, medium-duty strainer assembly.



Strainer Designation	Dimensions in inches [mm]						Str. Open Area sq in [cm <sup>2</sup> ]	Approximate Weight lb [kg]
	A Pipe Size	B Diameter	K		K'			
			Min.	Max.	Min.	Max.		
-5BS	2 [51], 3 [76]	5 [127]	1 [25]	1-1/2 [38]	1-3/32 [27]	2-1/4 [57]	6-3/4 [44]	10 [5]
-6BS	2 [51], 3 [76], 4 [102]	6 [152]		1-25/32 [45]	1-13/32 [36]	2-17/32 [64]	10-1/2 [68]	11 [5]
-7BS		7 [178]		2-1/8 [54]	1-23/32 [44]	2-7/8 [73]	15 [97]	12 [5]
-8BS	3 [76], 4 [102]	8 [203]	1-5/32 [29]		1-3/4 [44]		20 [129]	13 [6]
-10BS	6 [152]	10 [254]	1-7/16 [37]	2-1/2 [64]	2 [51]	3-1/4 [83]		26-1/2 [171]
								17 [8]

PREFIXES	DESCRIPTION	STRAINER DESIG.	PIPE SIZE	LIST PRICE
<b>ZS415*</b>	D.C.C.I. Body Assembly with Type 304 Stainless Steel Top	-5BS	2", 3"	<b>1,042.00</b>
		-6BS	2", 3", 4"	<b>1,298.00</b>
		-7BS	2", 3", 4"	<b>1,680.00</b>
		-8BS	3", 4" 6"	<b>1,754.00</b> <b>2,299.00</b>
		-10BS	6"	<b>2,643.00</b>
<b>ZM415</b>	D.C.C.I. Body Assembly with Type 316 (CF8M) Stainless Steel Top	-5BS	2", 3"	<b>POA</b>
		-6BS	2", 3", 4"	<b>POA</b>
		-7BS	2", 3", 4"	<b>POA</b>
		-8BS	3", 4" 6"	<b>POA</b> <b>POA</b>
		-10BS	6"	<b>POA</b>
OUTLETS (SPECIFY PIPE SIZE IN INCHES AND TYPE OF OUTLET)				
OUTLET TYPE		PIPE SIZE/ OUTLET TYPE	E BODY HT. DIM.	ADD
<b>IC</b>	Inside Caulk	2IC, 3IC, 4IC	4-3/16"	<b>N/C</b>
<b>IP</b>	Threaded	2IP	2-7/16"	<b>80.00</b>
		3IP	2-3/4"	<b>80.00</b>
		4IP	2-13/16"	<b>80.00</b>
		6IP	2-7/8"	<b>80.00</b>
<b>NH</b>	No-Hub	2NH, 3NH, 4NH	3-13/16"	<b>N/C</b>
<b>NL</b>	Neo-Loc	2NL, 3NL, 4NL	3-7/8"	<b>N/C</b>

SUFFIXES		ADD
<b>-AR</b>	Acid Resisting Epoxy Coated Cast Iron	<b>171.00</b>
<b>-G</b>	Galvanized Cast Iron	<b>198.00</b>
<b>-P</b>	Trap Primer Connection (1/2")	<b>N/C</b>
Ⓢ <b>-TC</b>	Neo-Loc Test Cap Gasket (2", 3", 4" NL Bottom Outlet Only)	<b>24.00</b>
<b>-TSP</b>	Trap Seal Protection Device (Size Matches Drain Outlet Selected, See Z1072)	<b>POA</b>
<b>-U</b>	1"-3" High Extension Adapter (See Z400-U)	D.C. <b>140.00</b>
	For each additional 1" above 3"	Galv. <b>306.00</b>
		<b>98.00</b>
<b>-V</b>	Backwater Valve (Not Available with -Y)	<b>380.00</b>
<b>-VP</b>	Vandal-Proof Secured Top	<b>58.00</b>
<b>-Y</b>	Sediment Bucket (Not Available with -V)	<b>109.00</b>

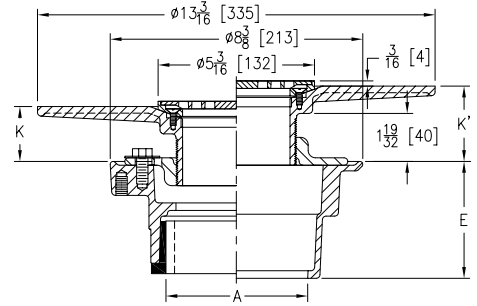


# Z415 BODY ASSEMBLY WITH "TYPE BL" STRAINER



## ENGINEERING SPECIFICATION

Zurn ZN415BL floor and shower drain features Dura-Coated cast iron body with bottom outlet, combination invertible membrane clamp and adjustable collar with seepage slots, and "TYPE BL" D.C.C.I. wide flanged head and polished nickel bronze, light-duty strainer.



Strainer Designation	Dimensions in inches [mm]					Str. Open Area sq in [cm <sup>2</sup> ]	Approximate Weight lb [kg]
	A Pipe Size	K		K'			
		Min.	Max.	Min.	Max.		
-5BL	2 [51], 3 [76], 4 [102], 5 [127], 6 [152]	7/8 [22]	2-1/4 [57]	1-11/16 [43]	3 [76]	6-1/4 [40]	14 [6]

PREFIXES	DESCRIPTION	STRAINER DESIG.	PIPE SIZE	LIST PRICE
<b>ZN415*</b>	D.C.C.I. Body Assembly with Polished Nickel Bronze Top	-5BL	2", 3", 4", 6"	<b>1,391.00</b>
<b>ZB415</b>	D.C.C.I. Body Assembly with Polished Bronze Top	-5BL	2", 3", 4", 6"	<b>1,336.00</b>
<b>Z415</b>	D.C.C.I. Body Assembly ONLY (add "-L/Top" to product sku)	No Strainer	2", 3", 4", 6"	<b>194.00</b> <b>739.00</b>

OUTLETS (SPECIFY PIPE SIZE IN INCHES AND TYPE OF OUTLET)				
OUTLET TYPE	PIPE SIZE/OUTLET TYPE	E BODY HT. DIM.	ADD	
<b>IC</b>	Inside Caulk	2IC, 3IC, 4IC	4-3/16"	<b>N/C</b>
<b>IP</b>	Threaded	2IP	2-7/16"	<b>80.00</b>
		3IP	2-3/4"	<b>80.00</b>
		4IP	2-13/16"	<b>80.00</b>
		6IP	2-7/8"	<b>80.00</b>
<b>NH</b>	No-Hub	2NH, 3NH, 4NH	3-13/16"	<b>N/C</b>
<b>NL</b>	Neo-Loc	2NL, 3NL, 4NL	3-7/8"	<b>N/C</b>

SUFFIXES	ADD
<b>-AR</b>	Acid Resisting Epoxy Coated Cast Iron <b>393.00</b>
<b>-CP</b>	Chrome-Plated Bronze Top <b>26.00</b>
<b>-G</b>	Galvanized Cast Iron <b>351.00</b>
<b>-P</b>	Trap Primer Connection (1/2"*) <b>N/C</b>
Ⓢ <b>-PC</b>	Protective Cover <b>64.00</b>
Ⓢ <b>-SA</b>	Stabilizer Assembly (See Z1035) <b>138.00</b>
Ⓢ <b>-TC</b>	Neo-Loc Test Cap Gasket (2", 3", 4" NL Bottom Outlet Only) <b>24.00</b>
<b>-U</b>	1"-3" High Extension Adapter (See Z400-U) D.C. <b>140.00</b>
	Galv. <b>362.00</b>
	For each additional 1" above 3" <b>98.00</b>
<b>-VP</b>	Vandal-Proof Secured Top <b>58.00</b>
<b>-Y</b>	Sediment Bucket <b>109.00</b>
<b>-90</b>	90° Threaded Side Outlet Body Assembly (2" and 3" Only) <b>219.00</b>
BEST SELLERS	
	LIST PRICE
ZN415-2NH-5BL	<b>1,391.00</b>
ZN415-2NH-5BL-P	<b>1,391.00</b>
ZN415-2NL-5BL	<b>1,391.00</b>

\*Regularly furnished unless otherwise specified.

Items designated as Best Sellers are most specified and are generally in stock for shipment.

Ⓢ This symbol denotes a product that is engineered to reduce installation and rework time.

For additional product information, please visit [www.zurn.com](http://www.zurn.com)

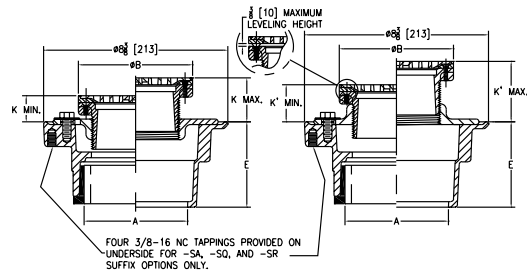
## ⌚ Z415 BODY ASSEMBLY WITH "TYPE BZ" LEVELING STRAINER



Patented

### ENGINEERING SPECIFICATION

Zurn ZN415BZ floor and shower drain features Dura-Coated cast iron body with bottom outlet, combination invertible membrane clamp and adjustable collar with seepage slots, and "TYPE BZ" polished nickel bronze, light-duty, leveling strainer.



Strainer Designation	Dimensions in inches [mm]						Str. Open Area sq in [cm <sup>2</sup> ]	Approximate Weight lb [kg]
	A Pipe Size	B Strainer Diameter	K		K'			
			Min.	Max.	Min.	Max.		
-5BZ	2 [51], 3 [76]	5-3/16 [132]	1-1/16 [27]	2-1/16 [52]	1-9/16 [40]	2-13/16 [71]	6-1/4 [40]	11 [5]
-6BZ	2 [51], 3 [76], 4 [102]	6-1/4 [159]	1-3/8 [35]	2-7/32 [56]	1-3/4 [44]	2-15/16 [75]	9 [58]	13 [6]

PREFIXES	DESCRIPTION	STRAINER DESIG.	PIPE SIZE	LIST PRICE
<b>ZN415*</b>	D.C.C.I. Body Assembly with Polished Nickel Bronze Top	-5BZ	2", 3"	<b>484.00</b>
		-6BZ	2", 3", 4"	<b>592.00</b>
<b>ZB415</b>	D.C.C.I. Body Assembly with Polished Bronze Top	-5BZ	2", 3"	<b>460.00</b>
		-6BZ	2", 3", 4"	<b>535.00</b>

OUTLETS (SPECIFY PIPE SIZE IN INCHES AND TYPE OF OUTLET)				
OUTLET TYPE		PIPE SIZE/ OUTLET TYPE	E BODY HT. DIM.	ADD
<b>IC</b>	Inside Caulk	2IC, 3IC, 4IC	4-13/16"	<b>N/C</b>
<b>IG</b>	Inside Gasket	2IG, 3IG, 4IG	4-13/16"	<b>N/C</b>
<b>IP</b>	Threaded	2IP	2-7/16"	<b>80.00</b>
		3IP	2-3/4"	<b>80.00</b>
		4IP	2-13/16"	<b>80.00</b>
<b>NH</b>	No-Hub	2NH, 3NH, 4NH	3-13/16"	<b>N/C</b>
<b>NL</b>	Neo-Loc	2NL, 3NL, 4NL	3-7/8"	<b>N/C</b>

SUFFIXES		ADD	
<b>-AA</b>	All Acid Resisting Epoxy	<b>261.00</b>	
<b>-AR</b>	Acid Resisting Epoxy Coated Cast Iron	<b>171.00</b>	
<b>-CP</b>	Chrome-Plated Bronze Top	<b>26.00</b>	
<b>-DP</b>	Decorative Polished Top	<b>171.00</b>	
<b>-G</b>	Galvanized Cast Iron	<b>198.00</b>	
<b>-OF</b>	Oval Funnel - 6" Strainer Only (See Z329-7)	ZB	<b>365.00</b>
		ZN	<b>421.00</b>
<b>-P</b>	Trap Primer Connection (1/2"*)	<b>N/C</b>	
<b>-PC</b>	Protective Cover	<b>64.00</b>	
<b>-SA</b>	Stabilizer Assembly (See Z1035)	<b>138.00</b>	
<b>-SQ</b>	Stabilizer Q-deck (See Z1035-Q)	<b>184.00</b>	
<b>-SR</b>	Stabilizer Ring (See Z400-SR)	<b>121.00</b>	
<b>-TC</b>	Neo-Loc Test Cap Gasket (2", 3", 4" NL Bottom Outlet Only)	<b>24.00</b>	
<b>-U</b>	1"-3" High Extension Adapter (See Z400-U)	D.C.	<b>140.00</b>
		Galv.	<b>306.00</b>
	For each additional 1" above 3"	<b>98.00</b>	
<b>-V</b>	Backwater Valve (Not Available with -Y)	<b>380.00</b>	
<b>-VP</b>	Vandal-Proof Secured Top	<b>58.00</b>	
<b>-Y</b>	Sediment Bucket (Not Available with -V)	<b>109.00</b>	
<b>-4</b>	4" Diameter Funnel (Z328)	ZB	<b>365.00</b>
		ZN	<b>421.00</b>
<b>-90</b>	90° Threaded Side Outlet Body Assembly (2" and 3" Only)	<b>219.00</b>	

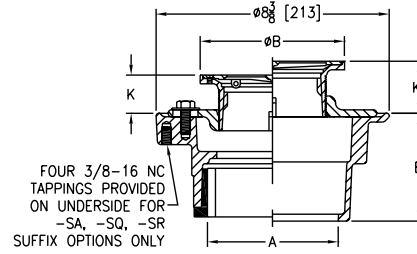
BEST SELLERS	LIST PRICE
ZN415-2NL-5BZ-P	<b>484.00</b>
ZN415-2NL-5BZ-P-PC-TC	<b>572.00</b>
ZN415-2NL-6BZ	<b>592.00</b>
ZN415-3NH-5BZ	<b>484.00</b>
ZN415-3NH-5BZ-P	<b>484.00</b>
ZN415-3NH-6BZ	<b>592.00</b>
ZN415-3NH-6BZ-P	<b>592.00</b>
ZN415-3NL-6BZ	<b>592.00</b>
ZN415-3NL-6BZ-P	<b>592.00</b>
ZN415-4NH-6BZ-P	<b>592.00</b>
ZN415-4NL-6BZ	<b>592.00</b>

# Z415 BODY ASSEMBLY WITH "TYPE C" STRAINER



## ENGINEERING SPECIFICATION

Zurn ZN415C floor and shower drain features Dura-Coated cast iron body with bottom outlet, combination invertible membrane clamp and adjustable collar with seepage slots, and "TYPE C" polished, hinged nickel bronze, light-duty strainer.



Strainer Designation	Dimensions in inches [mm]						Str. Open Area sq in [cm <sup>2</sup> ]	Approximate Weight lb [kg]
	A Pipe Size	B Diameter	K		K'			
			Min.	Max.	Min.	Max.		
-5C	2 [51], 3 [76]	5 [127]	1 [25]	1-1/2 [38]	1-3/32 [27]	2-1/4 [57]	8 [52]	11 [5]
-6C	2 [51], 3 [76], 4 [102]	6 [152]		1-25/32 [45]	1-13/32 [36]	2-17/32 [64]	9 [58]	13 [6]
-7C		7 [178]		1-23/32 [44]	2-7/8 [73]	13 [84]	14 [6]	
-8C	3 [76], 4 [102]	8 [203]	1-5/32 [29]	2-1/8 [54]	1-3/4 [44]	18 [116]	16 [7]	
	6 [152]						18 [8]	

PREFIXES	DESCRIPTION	STRAINER DESIG.	PIPE SIZE	LIST PRICE
<b>ZN415*</b>	D.C.C.I. Body Assembly with Polished Nickel Bronze Top	-5C	2", 3"	<b>753.00</b>
		-6C	2", 3", 4"	<b>813.00</b>
		-7C	2", 3", 4"	<b>960.00</b>
		-8C	3", 4"	<b>1,054.00</b>
			6"	<b>1,601.00</b>
<b>ZB415</b>	D.C.C.I. Body Assembly with Polished Bronze Top	-5C	2", 3"	<b>719.00</b>
		-6C	2", 3", 4"	<b>753.00</b>
		-7C	2", 3", 4"	<b>923.00</b>
		-8C	3", 4"	<b>983.00</b>
			6"	<b>1,529.00</b>
<b>Z415</b>	D.C.C.I. Body Assembly ONLY (add "-L/Top" to product sku)	No Strainer	2", 3", 4"	<b>194.00</b>
			6"	<b>739.00</b>

OUTLETS (SPECIFY PIPE SIZE IN INCHES AND TYPE OF OUTLET)				
OUTLET TYPE		PIPE SIZE/ OUTLET TYPE	E BODY HT. DIM.	ADD
<b>IC</b>	Inside Caulk	2IC, 3IC, 4IC	4-13/16"	<b>N/C</b>
<b>IP</b>	Threaded	2IP	2-7/16"	<b>80.00</b>
		3IP	2-3/4"	<b>80.00</b>
		4IP	2-13/16"	<b>80.00</b>
		6IP	2-7/8"	<b>80.00</b>
<b>NH</b>	No-Hub	2NH, 3NH, 4NH	3-13/16"	<b>N/C</b>
<b>NL</b>	Neo-Loc	2NL, 3NL, 4NL	3-7/8"	<b>N/C</b>

SUFFIXES	ADD
<b>-AR</b>	Acid Resisting Epoxy Coated Cast Iron <b>171.00</b>
<b>-CP</b>	Chrome-Plated Bronze Top <b>26.00</b>
<b>-G</b>	Galvanized Cast Iron <b>198.00</b>
<b>-P</b>	Trap Primer Connection (1/2") <b>N/C</b>
Ⓢ <b>-PC</b>	Protective Cover <b>64.00</b>
Ⓢ <b>-SA</b>	Stabilizer Assembly (See Z1035) <b>138.00</b>
Ⓢ <b>-SQ</b>	Stabilizer Q-Deck (See Z1035-Q) <b>184.00</b>
Ⓢ <b>-SR</b>	Stabilizer Ring (See Z400-SR) <b>121.00</b>
Ⓢ <b>-TC</b>	Neo-Loc Test Cap Gasket (2", 3", 4" NL Bottom Outlet Only) <b>24.00</b>
<b>-U</b>	1"-3" High Extension Adapter (See Z400-U) <b>140.00</b>
	D.C. Galv. <b>362.00</b>
	For each additional 1" above 3" <b>98.00</b>
<b>-V</b>	Backwater Valve (Not Available with -Y) <b>380.00</b>
<b>-VP</b>	Vandal-Proof Secured Top <b>58.00</b>
<b>-Y</b>	Sediment Bucket (Not Available with -V) <b>109.00</b>
<b>-90</b>	90° Threaded Side Outlet Body Assembly (2" and 3" Only) <b>219.00</b>

BEST SELLERS	LIST PRICE
ZN415-2NH-5C	<b>753.00</b>
ZN415-2NL-6C-P-Y	<b>922.00</b>
ZN415-3NL-8C	<b>1,054.00</b>

\*Regularly furnished unless otherwise specified.

Items designated as Best Sellers are most specified and are generally in stock for shipment.

Ⓢ This symbol denotes a product that is engineered to reduce installation and rework time.

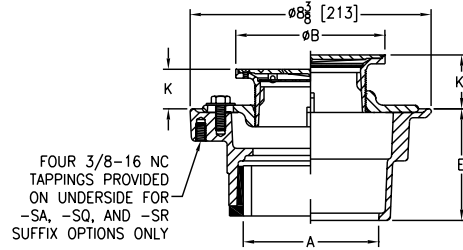
For additional product information, please visit [www.zurn.com](http://www.zurn.com)

# Z415 BODY ASSEMBLY WITH "TYPE D" STRAINER



## ENGINEERING SPECIFICATION

Zurn ZN415D floor and shower drain features Dura-Coated cast iron body with bottom outlet, combination invertible membrane clamp and adjustable collar with seepage slots, and "TYPE D" polished, hinged solid, nickel bronze light-duty strainer.



Strainer Designation	Dimensions in inches [mm]						Approximate Weight lb [kg]
	A Pipe Size	B Diameter	K		K'		
			Min.	Max.	Min.	Max.	
-5D	2 [51], 3 [76]	5 [127]	1 [25]	1-1/2 [38]	1-3/32 [27]	2-1/4 [57]	12 [5]
-6D	2 [51], 3 [76], 4 [102]	6 [152]		1-25/32 [45]	1-13/32 [36]	2-17/32 [64]	14 [6]
-7D		7 [178]		1-23/32 [44]	2-7/8 [73]	15 [7]	
-8D	3 [76], 4 [102]	8 [203]	1-5/32 [29]	2-1/8 [54]	1-3/4 [44]	2-7/8 [73]	17 [8]
	6 [152]						19 [9]

PREFIXES	DESCRIPTION	STRAINER DESIG.	PIPE SIZE	LIST PRICE
<b>ZN415*</b>	D.C.C.I. Body Assembly with Polished Nickel Bronze Top	-5D	2", 3"	<b>867.00</b>
		-6D	2", 3", 4"	<b>961.00</b>
		-7D	2", 3", 4"	<b>1,392.00</b>
		-8D	3", 4"	<b>1,406.00</b>
			6"	<b>1,953.00</b>
<b>ZB415</b>	D.C.C.I. Body Assembly with Polished Bronze Top	-5D	2", 3"	<b>814.00</b>
		-6D	2", 3", 4"	<b>851.00</b>
		-7D	2", 3", 4"	<b>1,242.00</b>
		-8D	3", 4"	<b>1,298.00</b>
			6"	<b>1,844.00</b>
<b>Z415</b>	D.C.C.I. Body Assembly ONLY (add "-L/Top" to product sku)	No Strainer	2", 3", 4"	<b>194.00</b>
			6"	<b>739.00</b>
OUTLETS (SPECIFY PIPE SIZE IN INCHES AND TYPE OF OUTLET)				
OUTLET TYPE		PIPE SIZE/ OUTLET TYPE	E BODY HT. DIM.	ADD
<b>IC</b>	Inside Caulk	2IC, 3IC, 4IC	4-13/16"	<b>N/C</b>
<b>IP</b>	Threaded	2IP	2-7/16"	<b>80.00</b>
		3IP	2-3/4"	<b>80.00</b>
		4IP	2-13/16"	<b>80.00</b>
		6IP	2-7/8"	<b>80.00</b>
<b>NH</b>	No-Hub	2NH, 3NH, 4NH	3-13/16"	<b>N/C</b>
<b>NL</b>	Neo-Loc	2NL, 3NL, 4NL	3-7/8"	<b>N/C</b>

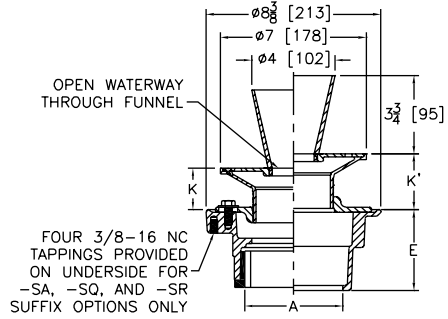
SUFFIXES		ADD
<b>-AR</b>	Acid Resisting Epoxy Coated Cast Iron	<b>171.00</b>
<b>-G</b>	Galvanized Cast Iron	<b>198.00</b>
<b>-P</b>	Trap Primer Connection (1/2")	<b>N/C</b>
Ⓢ <b>-PC</b>	Protective Cover	<b>64.00</b>
Ⓢ <b>-SA</b>	Stabilizer Assembly (See Z1035)	<b>138.00</b>
Ⓢ <b>-SQ</b>	Stabilizer Q-deck (See Z1035-Q)	<b>184.00</b>
Ⓢ <b>-SR</b>	Stabilizer Ring (See Z400-SR)	<b>121.00</b>
Ⓢ <b>-TC</b>	Neo-Loc Test Cap Gasket (2", 3", 4" NL Bottom Outlet Only)	<b>24.00</b>
<b>-U</b>	1"-3" High Extension Adapter (See Z400-U)	D.C. <b>140.00</b>
		Galv. <b>306.00</b>
	For each additional 1" above 3"	<b>98.00</b>
<b>-V</b>	Backwater Valve (Not Available with -Y)	<b>380.00</b>
<b>-VP</b>	Vandal-Proof Secured Top	<b>58.00</b>
<b>-Y</b>	Sediment Bucket (Not Available with -V)	<b>109.00</b>
<b>-90</b>	90° Threaded Side Outlet Body Assembly (2" and 3" Only)	<b>219.00</b>
<b>SEE LEGACY ADDENDUM ON PAGE 369 FOR MORE INFORMATION</b>		

# Z415 BODY ASSEMBLY WITH "TYPE E" STRAINER



## ENGINEERING SPECIFICATION

Zurn ZN415E floor and shower drain features Dura-Coated cast iron body with bottom outlet, combination invertible membrane clamp and adjustable collar with seepage slots, and "TYPE E" polished, nickel bronze strainer with 4" diameter funnel.



Strainer Designation	Dimensions in inches [mm]					Str. Open Area sq in [cm <sup>2</sup> ]	Approximate Weight lb [kg]
	A Pipe Size	K		K'			
		Min.	Max.	Min.	Max.		
-7E	2 [51], 3 [76], 4 [102]	1 [25]	2-1/8 [54]	1-5/8 [41]	2-15/16 [75]	5 [32]	19 [9]

PREFIXES	DESCRIPTION	STRAINER DESIG.	PIPE SIZE	LIST PRICE
<b>ZN415*</b>	D.C.C.I. Body Assembly with Polished Nickel Bronze Top	-7E	2", 3", 4"	<b>1,349.00</b>
<b>ZB415</b>	D.C.C.I. Body Assembly with Polished Bronze Top	-7E	2", 3", 4"	<b>1,242.00</b>
<b>Z415</b>	D.C.C.I. Body Assembly ONLY (add "-L/Top" to product sku)	No Strainer	2", 3", 4"	<b>194.00</b>

OUTLETS (SPECIFY PIPE SIZE IN INCHES AND TYPE OF OUTLET)				
OUTLET TYPE		PIPE SIZE/ OUTLET TYPE	E BODY HT. DIM.	ADD
IC	Inside Caulk	2IC, 3IC, 4IC	4-13/16"	N/C
IP	Threaded	2IP	2-7/16"	80.00
		3IP	2-3/4"	80.00
		4IP	2-13/16"	80.00
NH	No-Hub	2NH, 3NH, 4NH	3-13/16"	N/C
NL	Neo-Loc	2NL, 3NL, 4NL	3-7/8"	N/C

SUFFIXES		ADD	
-AR	Acid Resisting Epoxy Coated Cast Iron	171.00	
-G	Galvanized Cast Iron	198.00	
-P	Trap Primer Connection (1/2")	N/C	
Ⓢ -SA	Stabilizer Assembly (See Z1035)	138.00	
-SC	Solid Cover	150.00	
Ⓢ -SQ	Stabilizer Q-Deck (See Z1035-Q)	184.00	
Ⓢ -SR	Stabilizer Ring (See Z400-SR)	121.00	
Ⓢ -TC	Neo-Loc Test Cap Gasket (2", 3", 4" NL Bottom Outlet Only)	24.00	
Ⓢ -U	1"-3" High Extension Adapter (See Z400-U)	D.C.	140.00
		Galv.	306.00
	For each additional 1" above 3"	98.00	
-V	Backwater Valve (Not Available with -Y)	380.00	
-VP	Vandal-Proof Secured Top	58.00	
-Y	Sediment Bucket (Not Available with -V)	109.00	
-90	90° Threaded Side Outlet Body Assembly (2" and 3" Only)	219.00	

BEST SELLERS	LIST PRICE
ZN415-2NH-7E	1,349.00
ZN415-2NH-7E-P	1,349.00
ZN415-2NH-7E-P-U-VP	1,547.00
ZN415-2NL-7E	1,349.00
ZN415-3NH-7E	1,349.00
ZN415-4NL-7E-P	1,349.00

\*Regularly furnished unless otherwise specified.

Items designated as Best Sellers are most specified and are generally in stock for shipment.

Ⓢ This symbol denotes a product that is engineered to reduce installation and rework time.

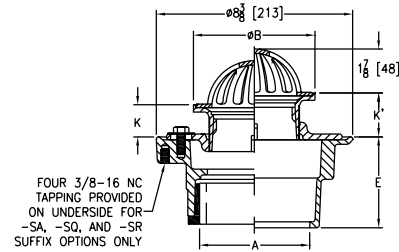
For additional product information, please visit [www.zurn.com](http://www.zurn.com)

# Z415 BODY ASSEMBLY WITH "TYPE G" STRAINER



## ENGINEERING SPECIFICATION

Zurn ZN415G floor and shower drain features Dura-Coated cast iron body with bottom outlet, combination invertible membrane clamp and adjustable collar with seepage slots, and "TYPE G" polished, nickel bronze strainer with dome grate.



Strainer Designation	Dimensions in inches [mm]						Str. Open Area sq in [cm <sup>2</sup> ]	Approximate Weight lb [kg]
	A Pipe Size	B Diameter	K		K'			
			Min.	Max.	Min.	Max.		
-5G	2 [51], 3 [76]	5 [127]	1 [25]	1-1/2 [38]	1-3/32 [27]	2-1/4 [57]	10 [65]	11 [5]
-6G	2 [51], 3 [76], 4 [102]	6 [152]		1-25/32 [45]	1-13/32 [36]	2-17/32 [64]	12 [77]	13 [6]

PREFIXES	DESCRIPTION	STRAINER DESIG.	PIPE SIZE	LIST PRICE
<b>ZN415*</b>	D.C.C.I. Body Assembly with Polished Nickel Bronze Top	-5G	2", 3"	<b>680.00</b>
		-6G	2", 3", 4"	<b>813.00</b>
<b>ZB415</b>	D.C.C.I. Body Assembly with Polished Bronze Top	-5G	2", 3"	<b>645.00</b>
		-6G	2", 3", 4"	<b>734.00</b>
<b>Z415</b>	D.C.C.I. Body Assembly ONLY (add "-L/Top" to product sku)	No Strainer	2", 3", 4"	<b>194.00</b>

OUTLETS (SPECIFY PIPE SIZE IN INCHES AND TYPE OF OUTLET)				
OUTLET TYPE		PIPE SIZE/ OUTLET TYPE	E BODY HT. DIM.	ADD
<b>IC</b>	Inside Caulk	2IC, 3IC, 4IC	4-13/16"	<b>N/C</b>
<b>IP</b>	Threaded	2IP	2-7/16"	<b>80.00</b>
		3IP	2-3/4"	<b>80.00</b>
		4IP	2-13/16"	<b>80.00</b>
<b>NH</b>	No-Hub	2NH, 3NH, 4NH	3-13/16"	<b>N/C</b>
<b>NL</b>	Neo-Loc	2NL, 3NL, 4NL	3-7/8"	<b>N/C</b>

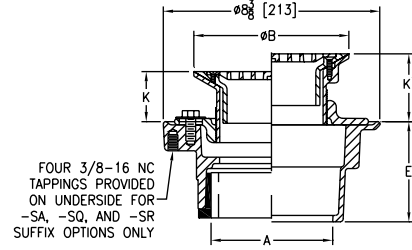
SUFFIXES		ADD	
<b>-AR</b>	Acid Resisting Epoxy Coated Cast Iron	<b>171.00</b>	
<b>-G</b>	Galvanized Cast Iron	<b>198.00</b>	
<b>-P</b>	Trap Primer Connection (1/2"*)	<b>N/C</b>	
Ⓢ <b>-SA</b>	Stabilizer Assembly (See Z1035)	<b>138.00</b>	
Ⓢ <b>-SQ</b>	Stabilizer Q-Deck (See Z1035-Q)	<b>184.00</b>	
Ⓢ <b>-SR</b>	Stabilizer Ring (See Z400-SR)	<b>121.00</b>	
<b>-SS</b>	Stainless Steel Mesh Screen Over Dome	<b>527.00</b>	
Ⓢ <b>-TC</b>	Neo-Loc Test Cap Gasket (2", 3", 4" NL Bottom Outlet Only)	<b>24.00</b>	
<b>-U</b>	1"-3" High Extension Adapter (See Z400-U)	D.C.	<b>140.00</b>
		Galv.	<b>306.00</b>
	For each additional 1" above 3"	<b>98.00</b>	
<b>-V</b>	Backwater Valve (Not Available with -Y)	<b>380.00</b>	
<b>-VP</b>	Vandal-Proof Secured Top	<b>58.00</b>	
<b>-Y</b>	Sediment Bucket (Not Available with -V)	<b>109.00</b>	
<b>-90</b>	90° Threaded Side Outlet Body Assembly (2" and 3" Only)	<b>219.00</b>	
BEST SELLER		LIST PRICE	
ZN415-3IP-5G-90		<b>979.00</b>	

# Z415 BODY ASSEMBLY WITH "TYPE H" STRAINER



## ENGINEERING SPECIFICATION

Zurn ZN415H floor and shower drain features Dura-Coated cast iron body with bottom outlet, combination invertible membrane clamp and adjustable collar with seepage slots, and "TYPE H" polished, nickel bronze light-duty strainer with flashing clamp device for clamping at the finished floor level.



Strainer Designation	Dimensions in inches [mm]						Str. Open Area sq in [cm <sup>2</sup> ]	Approximate Weight lb [kg]
	A Pipe Size	B Diameter	K		K'			
			Min.	Max.	Min.	Max.		
-6H	2 [51], 3 [76], 4 [102]	6 [152]	1-1/4 [32]	2-3/8 [60]	2-3/16 [56]	3-5/16 [84]	7 [45]	13 [6]
-9H		9 [229]	1-11/16 [43]	2-5/8 [67]	2-7/16 [62]	3-9/16 [90]	18 [116]	20 [9]

PREFIXES	DESCRIPTION	STRAINER DESIG.	PIPE SIZE	LIST PRICE
<b>ZN415*</b>	D.C.C.I. Body Assembly with Polished Nickel Bronze Top	-6H	2", 3", 4"	<b>1,582.00</b>
		-9H	2", 3", 4"	<b>2,022.00</b>
<b>ZB415</b>	D.C.C.I. Body Assembly with Polished Bronze Top	-6H	2", 3", 4"	<b>1,425.00</b>
		-9H	2", 3", 4"	<b>1,811.00</b>
<b>Z415</b>	D.C.C.I. Body Assembly ONLY (add "-L/Top" to product sku)	No Strainer	2", 3", 4"	<b>194.00</b>

OUTLETS (SPECIFY PIPE SIZE IN INCHES AND TYPE OF OUTLET)				
OUTLET TYPE		PIPE SIZE/OUTLET TYPE	E BODY HT. DIM.	ADD
<b>IP</b>	Threaded	2IP	2-7/16"	<b>80.00</b>
		3IP	2-3/4"	<b>80.00</b>
		4IP	2-13/16"	<b>80.00</b>
<b>NH</b>	No-Hub	2NH, 3NH, 4NH	3-13/16"	<b>N/C</b>
<b>NL</b>	Neo-Loc	2NL, 3NL, 4NL	3-7/8"	<b>N/C</b>

SUFFIXES		ADD	
<b>-AR</b>	Acid Resisting Epoxy Coated Cast Iron	<b>171.00</b>	
<b>-G</b>	Galvanized Cast Iron	<b>198.00</b>	
<b>-P</b>	Trap Primer Connection (1/2")	<b>N/C</b>	
Ⓢ <b>-SA</b>	Stabilizer Assembly (See Z1035)	<b>138.00</b>	
Ⓢ <b>-SQ</b>	Stabilizer Q-Deck (See Z1035-Q)	<b>184.00</b>	
Ⓢ <b>-SR</b>	Stabilizer Ring (See Z400-SR)	<b>121.00</b>	
Ⓢ <b>-TC</b>	Neo-Loc Test Cap Gasket (2", 3", 4" NL Bottom Outlet Only)	<b>24.00</b>	
<b>-U</b>	1"-3" High Extension Adapter (See Z400-U)	D.C.	<b>140.00</b>
		Galv.	<b>306.00</b>
	For each additional 1" above 3"	<b>98.00</b>	
<b>-V</b>	Backwater Valve (Not Available with -Y)	<b>380.00</b>	
<b>-VP</b>	Vandal-Proof Secured Top	<b>58.00</b>	
<b>-Y</b>	Sediment Bucket (Not Available with -V)	<b>109.00</b>	

BEST SELLERS	LIST PRICE
ZN415-2NH-6H	<b>1,582.00</b>
ZN415-2NH-6H-P	<b>1,582.00</b>
ZN415-2NL-6H	<b>1,582.00</b>
ZN415-4NH-6H	<b>1,582.00</b>
ZN415-4NH-6H-SA	<b>1,707.00</b>

\*Regularly furnished unless otherwise specified.

Items designated as Best Sellers are most specified and are generally in stock for shipment.

Ⓢ This symbol denotes a product that is engineered to reduce installation and rework time.

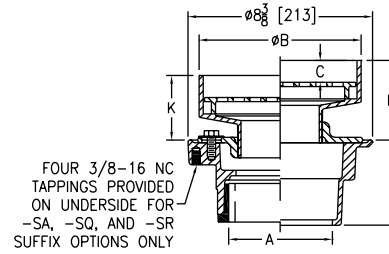
For additional product information, please visit [www.zurn.com](http://www.zurn.com)

# Z415 BODY ASSEMBLY WITH "TYPE I" STRAINER



## ENGINEERING SPECIFICATION

Zurn ZN415I floor and shower drain features Dura-Coated cast iron body with bottom outlet, combination invertible membrane clamp and adjustable collar with seepage slots, and "TYPE I" polished, nickel bronze strainer with raised flange.



Strainer Designation	Dimensions in inches [mm]							Str. Open Area sq in [cm <sup>2</sup> ]	Approximate Weight lb [kg]
	A Pipe Size	B Diameter	C	K		K'			
				Min.	Max.	Min.	Max.		
-5I	2 [51], 3 [76]	5-7/16 [138]	7/8 [22]	1-9/16 [40]	2-5/8 [67]	2-1/8 [54]	3-3/8 [86]	8 [52]	14 [6]
-7I	2 [51], 3 [76], 4 [102]	7-3/8 [187]	1 [25]	2-9/16 [65]	3-3/8 [86]	2-7/8 [73]	4-1/8 [104]	13 [84]	19 [9]
-9I	3 [76], 4 [102]	9 [229]	1/2 [13]	2-3/16 [56]	3-1/8 [79]	2-5/8 [67]	3-7/8 [98]	23 [148]	23 [10]
	6 [152]								

PREFIXES	DESCRIPTION	STRAINER DESIG.	PIPE SIZE	LIST PRICE
<b>ZN415*</b>	D.C.C.I. Body Assembly with Polished Nickel Bronze Top	-5I	2", 3"	<b>1,036.00</b>
		-7I	2", 3", 4"	<b>1,116.00</b>
		-9I	3", 4"	<b>1,564.00</b>
			6"	<b>2,108.00</b>
<b>ZB415</b>	D.C.C.I. Body Assembly with Polished Bronze Top	-5I	2", 3"	<b>973.00</b>
		-7I	2", 3", 4"	<b>1,023.00</b>
		-9I	3", 4"	<b>1,430.00</b>
			6"	<b>1,976.00</b>
<b>Z415</b>	D.C.C.I. Body Assembly ONLY (add "-L/Top" to product sku)	No Strainer	2", 3"	<b>194.00</b>
			2", 3", 4"	<b>194.00</b>
			3", 4"	<b>194.00</b>
			6"	<b>739.00</b>

OUTLETS (SPECIFY PIPE SIZE IN INCHES AND TYPE OF OUTLET)				
OUTLET TYPE	PIPE SIZE/ OUTLET TYPE	E BODY HT. DIM.	ADD	
<b>IC</b>	Inside Caulk	2IC, 3IC, 4IC	4-13/16"	<b>N/C</b>
<b>IP</b>	Threaded	2IP	2-7/16"	<b>80.00</b>
		3IP	2-3/4"	<b>80.00</b>
		4IP	2-13/16"	<b>80.00</b>
		6IP	2-7/8"	<b>80.00</b>
<b>NH</b>	No-Hub	2NH, 3NH, 4NH	3-13/16"	<b>N/C</b>
<b>NL</b>	Neo-Loc	2NL, 3NL, 4NL	3-7/8"	<b>N/C</b>

SUFFIXES	ADD
<b>-AR</b>	Acid Resisting Epoxy Coated Cast Iron <b>171.00</b>
<b>-G</b>	Galvanized Cast Iron <b>198.00</b>
<b>-P</b>	Trap Primer Connection (1/2") <b>N/C</b>
Ⓢ <b>-SA</b>	Stabilizer Assembly (See Z1035) <b>138.00</b>
Ⓢ <b>-SQ</b>	Stabilizer Q-deck (See Z1035-Q) <b>184.00</b>
Ⓢ <b>-SR</b>	Stabilizer Ring (See Z400-SR) <b>121.00</b>
Ⓢ <b>-TC</b>	Neo-Loc Test Cap Gasket (2", 3", 4" NL Bottom Outlet Only) <b>24.00</b>
<b>-TS</b>	Top Secured with Slotted Screws <b>58.00</b>
<b>-TSP</b>	Trap Seal Protection Device (Size Matches Drain Outlet Selected, See Z1072) <b>POA</b>
<b>-U</b>	1"-3" High Extension Adapter (See Z400-U) D.C. <b>140.00</b>
	Galv. <b>306.00</b>
	For each additional 1" above 3" <b>98.00</b>
<b>-V</b>	Backwater Valve (Not Available with -Y) <b>380.00</b>
<b>-VP</b>	Vandal-Proof Secured Top <b>117.00</b>
<b>-Y</b>	Sediment Bucket (Not Available with -V) <b>109.00</b>
<b>-90</b>	90° Threaded Side Outlet Body Assembly (2" and 3" Only) <b>219.00</b>
BEST SELLERS LIST PRICE	
ZN415-2NH-5I	<b>1,036.00</b>
ZN415-2NH-7I	<b>1,116.00</b>
ZN415-2NL-7I	<b>1,116.00</b>
ZN415-3NH-7I	<b>1,116.00</b>
ZN415-3NL-7I-P	<b>1,116.00</b>

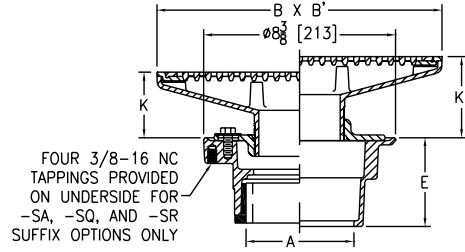


# Z415 BODY ASSEMBLY WITH "TYPE J" HEEL-PROOF STRAINER



## ENGINEERING SPECIFICATION

Zurn ZN415J floor and shower drain features Dura-Coated cast iron body with bottom outlet, combination invertible membrane clamp and adjustable collar with seepage slots, and "TYPE J" polished, nickel bronze rectangular light-duty, heel-proof strainer.



Strainer Designation	Dimensions in inches [mm]						Str. Open Area sq in [cm <sup>2</sup> ]	Approximate Weight lb [kg]
	A Pipe Size	B Diameter	K		K'			
			Min.	Max.	Min.	Max.		
-8J	2 [51], 3 [76], 4 [102]	4-1/2 [114] x 8 [203]	1-3/8 [35]	2-5/8 [67]	2-1/8 [54]	3-3/8 [86]	12 [77]	13 [6]
-9J		5 [127] x 9 [229]	1-5/8 [41]	2-13/16 [71]	2-3/8 [60]	3-5/8 [92]	15 [97]	14 [6]
-13J	3 [76], 4 [102]	5-1/2 [140] x 13 [330]	2-3/32 [53]	3-5/16 [84]	2-13/16 [71]	4 [102]	20 [129]	18 [8]
-17J		5 [127] x 17 [432]	2-1/4 [57]				29 [187]	23 [10]
-21J		5 [127] x 21 [533]	2-5/16 [59]	32 [206]	27 [12]			
-20J		10 [254] x 20 [508]	2-9/16 [65]	3-1/4 [83]	2-7/8 [73]		66 [426]	45 [20]

PREFIXES	DESCRIPTION	STRAINER DESIG.	PIPE SIZE	LIST PRICE
<b>ZN415*</b>	D.C.C.I. Body Assembly with Polished Nickel Bronze Top	-8J	2", 3", 4"	<b>1,054.00</b>
		-9J	2", 3", 4"	<b>1,054.00</b>
		-13J	3", 4"	<b>1,430.00</b>
		-17J	3", 4"	<b>1,524.00</b>
		-21J	3", 4"	<b>2,196.00</b>
		-20J	6"	<b>4,780.00</b>
<b>ZB415</b>	D.C.C.I. Body Assembly with Polished Bronze Top	-8J	2", 3", 4"	<b>984.00</b>
		-9J	2", 3", 4"	<b>984.00</b>
		-13J	3", 4"	<b>1,298.00</b>
		-17J	3", 4"	<b>1,392.00</b>
		-21J	3", 4"	<b>1,934.00</b>
		-20J	6"	<b>3,998.00</b>
<b>Z415</b>	D.C.C.I. Body Assembly ONLY (add "-L/Top" to product sku)	No Strainer	2", 3", 4"	<b>194.00</b>
			6"	<b>739.00</b>

OUTLETS (SPECIFY PIPE SIZE IN INCHES AND TYPE OF OUTLET)			
OUTLET TYPE	PIPE SIZE/ OUTLET TYPE	E BODY HT. DIM.	ADD
<b>IC</b>	Inside Caulk	2IC, 3IC, 4IC	4-13/16" <b>N/C</b>
<b>IP</b>	Threaded	2IP	2-7/16" <b>80.00</b>
		3IP	2-3/4" <b>80.00</b>
		4IP	2-13/16" <b>80.00</b>
		6IP	2-7/8" <b>80.00</b>
<b>NH</b>	No-Hub	2NH, 3NH, 4NH	3-13/16" <b>N/C</b>
<b>NL</b>	Neo-Loc	2NL, 3NL, 4NL	3-7/8" <b>N/C</b>

SUFFIXES	ADD
<b>-AR</b>	Acid Resisting Epoxy Coated Cast Iron <b>653.00</b>
<b>-G</b>	Galvanized Cast Iron <b>198.00</b>
<b>-P</b>	Trap Primer Connection (1/2") <b>N/C</b>
⌚ <b>-SA</b>	Stabilizer Assembly (See Z1035) <b>138.00</b>
⌚ <b>-SQ</b>	Stabilizer Q-deck (See Z1035-Q) <b>184.00</b>
⌚ <b>-SR</b>	Stabilizer Ring (See Z400-SR) <b>121.00</b>
⌚ <b>-TC</b>	Neo-Loc Test Cap Gasket (2", 3", 4" NL Bottom Outlet Only) <b>24.00</b>
<b>-U</b>	1"-3" High Extension Adapter (See Z400-U) D.C. <b>140.00</b>
	Galv. <b>306.00</b>
	For each additional 1" above 3" <b>98.00</b>
<b>-V</b>	Backwater Valve (Not Available with -Y) <b>380.00</b>
<b>-VP</b>	Vandal-Proof Secured Top <b>58.00</b>
<b>-Y</b>	Sediment Bucket (Not Available with -V) <b>109.00</b>
<b>-90</b>	90° Threaded Side Outlet Body Assembly (2" and 3" Only) <b>219.00</b>

BEST SELLERS	LIST PRICE
ZN415-2NH-8J	<b>1,054.00</b>
ZN415-3NL-9J-P	<b>1,054.00</b>

\*Regularly furnished unless otherwise specified.

Items designated as Best Sellers are most specified and are generally in stock for shipment.

⌚ This symbol denotes a product that is engineered to reduce installation and rework time.

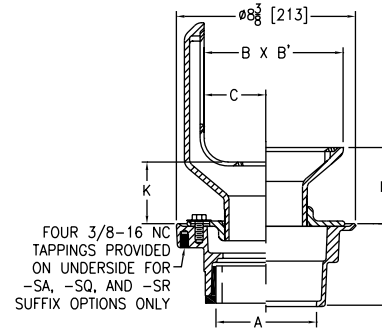
For additional product information, please visit [www.zurn.com](http://www.zurn.com)

## Z415 BODY ASSEMBLY WITH "TYPE K" STRAINER



### ENGINEERING SPECIFICATION

Zurn ZN415K floor and shower drain features Dura-Coated cast iron body with bottom outlet, combination invertible membrane clamp and adjustable collar with seepage slots, and TYPE K polished, nickel bronze, angular, light-duty strainer.



Strainer Designation	Dimensions in inches [mm]							Str. Open Area sq in [cm <sup>2</sup> ]	Approximate Weight lb [kg]
	A Pipe Size	B x B'	C	K		K'			
				Min.	Max.	Min.	Max.		
-5K	2 [51], 3 [76], 4 [102]	3-3/4 [95] x 5 [127]	1-7/32 [31]	1 [25]	2 [51]	1-3/4 [44]	2-3/4 [70]	11 [71]	18 [8]
-7K		6-5/8 [143] x 7 [178]	2-15/16 [75]	2-3/16 [56]	3-3/8 [86]	2-7/8 [73]	4-1/8 [105]	29 [187]	25 [11]

PREFIXES	DESCRIPTION	STRAINER DESIG.	PIPE SIZE	LIST PRICE
<b>ZN415*</b>	D.C.C.I. Body Assembly with Polished Nickel Bronze Top	-5K	2", 3", 4"	<b>1,953.00</b>
		-7K	2", 3", 4"	<b>2,441.00</b>
<b>ZB415</b>	D.C.C.I. Body Assembly with Polished Bronze Top	-5K	2", 3", 4"	<b>1,803.00</b>
		-7K	2", 3", 4"	<b>2,252.00</b>
<b>Z415</b>	D.C.C.I. Body Assembly ONLY (add "-L/Top" to product sku)	No Strainer	2", 3", 4"	<b>194.00</b>

OUTLETS (SPECIFY PIPE SIZE IN INCHES AND TYPE OF OUTLET)				
OUTLET TYPE		PIPE SIZE/ OUTLET TYPE	E BODY HT. DIM.	ADD
<b>IP</b>	Threaded	2IP	2-7/16"	<b>80.00</b>
		3IP	2-3/4"	<b>80.00</b>
		4IP	2-13/16"	<b>80.00</b>
<b>NH</b>	No-Hub	2NH, 3NH, 4NH	3-13/16"	<b>N/C</b>
<b>NL</b>	Neo-Loc	2NL, 3NL, 4NL	3-7/8"	<b>N/C</b>

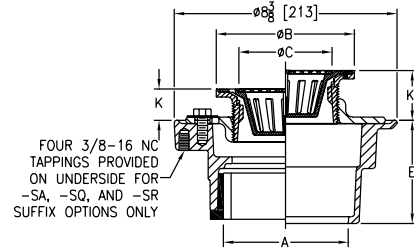
SUFFIXES		ADD
<b>-AR</b>	Acid Resisting Epoxy Coated Cast Iron	<b>171.00</b>
<b>-G</b>	Galvanized Cast Iron	<b>198.00</b>
<b>-P</b>	Trap Primer Connection (1/2"*)	<b>N/C</b>
Ⓢ <b>-SA</b>	Stabilizer Assembly (See Z1035)	<b>138.00</b>
Ⓢ <b>-SQ</b>	Stabilizer Q-Deck (See Z1035-Q)	<b>184.00</b>
Ⓢ <b>-SR</b>	Stabilizer Ring (See Z400-SR)	<b>121.00</b>
Ⓢ <b>-TC</b>	Neo-Loc Test Cap Gasket (2", 3", 4" NL Bottom Outlet Only)	<b>24.00</b>
<b>-U</b>	1"-3" High Extension Adapter (See Z400-U)	D.C. <b>140.00</b>
		Galv. <b>306.00</b>
	For each additional 1" above 3"	<b>98.00</b>
<b>-V</b>	Backwater Valve (Not Available with -Y)	<b>380.00</b>
<b>-VP</b>	Vandal-Proof Secured Top	<b>58.00</b>
<b>-Y</b>	Sediment Bucket (Not Available with -V)	<b>109.00</b>
<b>-90</b>	90° Threaded Side Outlet Body Assembly (2" and 3" Only)	<b>219.00</b>
<b>BEST SELLER</b>		<b>LIST PRICE</b>
ZN415-3NL-5K-P-VP		<b>2,011.00</b>

# Z415 BODY ASSEMBLY WITH "TYPE M" STRAINER AND SUR-SET BUCKET



## ENGINEERING SPECIFICATION

Zurn ZN415M floor and shower drain features Dura-Coated cast iron body with bottom outlet, combination invertible membrane clamp and adjustable collar with seepage slots, and "TYPE M" polished nickel bronze strainer and Sur-Set bucket.



Strainer Designation	Dimensions in inches [mm]							Str. Open Area sq in [cm <sup>2</sup> ]	Approximate Weight lb [kg]
	A Pipe Size	B Diameter	C	K		K'			
				Min.	Max.	Min.	Max.		
-5M	2 [51], 3 [76], 4 [102]	5 [127]	3-1/2 [89]	7/8 [22]	1-5/8 [41]	1-3/16 [30]	2-3/8 [60]	4-1/2 [29]	11 [5]

PREFIXES	DESCRIPTION	STRAINER DESIG.	PIPE SIZE	LIST PRICE
<b>ZN415*</b>	D.C.C.I. Body Assembly with Polished Nickel Bronze Top	-5M	2", 3", 4"	<b>967.00</b>
<b>ZB415</b>	D.C.C.I. Body Assembly with Polished Bronze Top	-5M	2", 3", 4"	<b>917.00</b>
<b>Z415</b>	D.C.C.I. Body Assembly ONLY (add "-L/Top" to product sku)	No Strainer	2", 3", 4"	<b>194.00</b>

OUTLETS (SPECIFY PIPE SIZE IN INCHES AND TYPE OF OUTLET)				
OUTLET TYPE		PIPE SIZE/ OUTLET TYPE	E BODY HT. DIM.	ADD
<b>IP</b>	Threaded	2IP	2-7/16"	<b>80.00</b>
		3IP	2-3/4"	<b>80.00</b>
		4IP	2-13/16"	<b>80.00</b>
<b>NH</b>	No-Hub	2NH, 3NH, 4NH	3-13/16"	<b>N/C</b>
<b>NL</b>	Neo-Loc	2NL, 3NL, 4NL	3-7/8"	<b>N/C</b>

SUFFIXES		ADD	
<b>-G</b>	Galvanized Cast Iron	<b>198.00</b>	
<b>-P</b>	Trap Primer Connection (1/2"*)	<b>N/C</b>	
Ⓢ <b>-PC</b>	Protective Cover	<b>64.00</b>	
Ⓢ <b>-SA</b>	Stabilizer Assembly (See Z1035)	<b>138.00</b>	
Ⓢ <b>-SQ</b>	Stabilizer Q-Deck (See Z1035-Q)	<b>184.00</b>	
Ⓢ <b>-SR</b>	Stabilizer Ring (See Z400-SR)	<b>121.00</b>	
Ⓢ <b>-TC</b>	Neo-Loc Test Cap Gasket (2", 3", 4" NL Bottom Outlet Only)	<b>24.00</b>	
<b>-U</b>	1"-3" High Extension Adapter (See Z400-U)	D.C.	<b>140.00</b>
		Galv.	<b>306.00</b>
	For each additional 1" above 3"	<b>98.00</b>	
<b>-VP</b>	Vandal-Proof Secured Top	<b>117.00</b>	

\*Regularly furnished unless otherwise specified.

Items designated as Best Sellers are most specified and are generally in stock for shipment.

Ⓢ This symbol denotes a product that is engineered to reduce installation and rework time.

For additional product information, please visit [www.zurn.com](http://www.zurn.com)

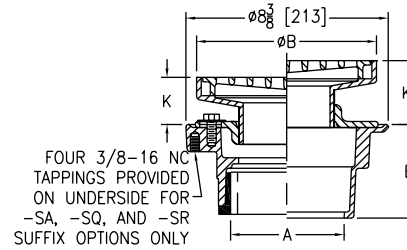
INTRO ROOF DRAINS FLOOR DRAINS T, P, BW VALVES INTERCEPTORS CARRIERS HYDRANTS CLEANOUTS W/HA SS DRAINS FAB SS DRAINS SAN-FLOOR TECH INFO

# Z415 BODY ASSEMBLY WITH "TYPE N" STRAINER



## ENGINEERING SPECIFICATION

Zurn Z415N floor and shower drain features Dura-Coated cast iron body with bottom outlet, combination invertible membrane clamp and adjustable collar with seepage slots, and "TYPE N" D.C.C.I. light-duty strainer with deep flanged grate.



Strainer Designation	Dimensions in inches [mm]						Str. Open Area sq in [cm <sup>2</sup> ]	Approximate Weight lb [kg]
	A Pipe Size	B Diameter	K		K'			
			Min.	Max.	Min.	Max.		
-7N	2 [51], 3 [76], 4 [102]	7 [178]	1-9/16 [40]	2-3/8 [60]	1-7/8 [48]	3-1/8 [79]	12 [77]	17 [8]
-9N	6 [152]	9 [229]	1-11/16 [43]	2-5/8 [67]	2-3/16 [56]	3-3/8 [86]	23 [148]	21 [10] 23 [10]

PREFIXES	DESCRIPTION	STRAINER DESIG.	PIPE SIZE	LIST PRICE
<b>Z415*</b>	D.C.C.I. Body Assembly with Dura-Coated Top	-7N	2", 3", 4"	<b>539.00</b>
		-9N	2", 3", 4"	<b>664.00</b>
			6"	<b>1,208.00</b>
<b>ZB415</b>	D.C.C.I. Body Assembly with Polished Bronze Top	-7N	2", 3", 4"	<b>1,023.00</b>
		-9N	2", 3", 4"	<b>1,430.00</b>
			6"	<b>1,976.00</b>
<b>ZN415</b>	D.C.C.I. Body Assembly with Polished Nickel Bronze Top	-7N	2", 3", 4"	<b>1,116.00</b>
		-9N	2", 3", 4"	<b>1,547.00</b>
			6"	<b>2,092.00</b>
<b>Z415</b>	D.C.C.I. Body Assembly ONLY (add "-L/Top" to product sku)	No Strainer	2", 3", 4"	<b>194.00</b>
			2", 3", 4"	<b>194.00</b>
			6"	<b>739.00</b>

OUTLETS (SPECIFY PIPE SIZE IN INCHES AND TYPE OF OUTLET)				
OUTLET TYPE		PIPE SIZE/ OUTLET TYPE	E BODY HT. DIM. ADD	
<b>IP</b>	Threaded	2IP	2-7/16"	<b>80.00</b>
		3IP	2-3/4"	<b>80.00</b>
		4IP	2-13/16"	<b>80.00</b>
		6IP	2-7/8"	<b>80.00</b>
<b>NH</b>	No-Hub	2NH, 3NH, 4NH	3-13/16"	<b>N/C</b>
<b>NL</b>	Neo-Loc	2NL, 3NL, 4NL	3-7/8"	<b>N/C</b>

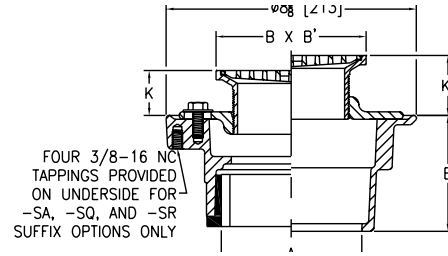
SUFFIXES		ADD	
<b>-AR</b>	Acid Resisting Epoxy Coated Cast Iron	<b>171.00</b>	
<b>-DG</b>	Duresist Grate	7"	<b>129.00</b>
		9"	<b>165.00</b>
<b>-G</b>	Galvanized Cast Iron	<b>198.00</b>	
<b>-P</b>	Trap Primer Connection (1/2"*)	<b>N/C</b>	
Ⓢ <b>-SA</b>	Stabilizer Assembly (See Z1035)	<b>138.00</b>	
Ⓢ <b>-SQ</b>	Stabilizer Q-Deck (See Z1035-Q)	<b>184.00</b>	
Ⓢ <b>-SR</b>	Stabilizer Ring (See Z400-SR)	<b>121.00</b>	
Ⓢ <b>-TC</b>	Neo-Loc Test Cap Gasket (2", 3", 4" NL Bottom Outlet Only)	<b>24.00</b>	
<b>-TS</b>	Top Secured with Slotted Screws	<b>58.00</b>	
<b>-U</b>	1"-3" High Extension Adapter (See Z400-U)	D.C.	<b>140.00</b>
		Galv.	<b>306.00</b>
	For each additional 1" above 3"	<b>98.00</b>	
<b>-V</b>	Backwater Valve (Not Available with -Y)	<b>380.00</b>	
<b>-VP</b>	Vandal-Proof Secured Top	<b>117.00</b>	
<b>-Y</b>	Sediment Bucket (Not Available with -V)	<b>109.00</b>	
<b>-90</b>	90° Threaded Side Outlet Body Assembly (2" and 3" Only)	<b>219.00</b>	
BEST SELLERS		LIST PRICE	
Z415-3NH-7N-P		<b>539.00</b>	
Z415-4NH-7N		<b>539.00</b>	
ZN415-2NH-7N-P		<b>1,116.00</b>	
ZN415-3NL-7N-P		<b>1,116.00</b>	
ZN415-3NL-9N-P		<b>1,547.00</b>	

# Z415 BODY ASSEMBLY WITH "TYPE S" STRAINER



## ENGINEERING SPECIFICATION

Zurn ZN415S floor and shower drain features Dura-Coated cast iron body with bottom outlet, combination invertible membrane clamp and adjustable collar with seepage slots, and "TYPE S" polished, nickel bronze, square heel-proof, light-duty strainer.



Strainer Designation	Dimensions in inches [mm]						Str. Open Area sq in [cm <sup>2</sup> ]	Approximate Weight lb [kg]
	A Pipe Size	B x B' Strainer Top Size	K		K'			
			Min.	Max.	Min.	Max.		
-5S	2 [51], 3 [76]	5 x 5 [127]	1 [25]	1-19/32 [40]	1-1/4 [32]	2-3/8 [60]	19 [122]	12 [5]
-6S	2 [51], 3 [76], 4 [102]	6 x 6 [152]		1-27/32 [47]	1-13/32 [36]	2-19/32 [66]	13 [84]	13 [6]
-7S			7 x 7 [178]	1-7/8 [48]	1-3/8 [35]	2-5/8 [67]	21 [135]	14 [6]
-8S	3 [76], 4 [102]	8 x 8 [203]	1-3/4 [44]					28 [181]
-10S	6 [152]	10 x 10 [254]					21 [10]	

PREFIXES	DESCRIPTION	STRAINER DESIG.	PIPE SIZE	LIST PRICE
<b>ZN415*</b>	D.C.C.I. Body Assembly with Polished Nickel Bronze Top	-5S	2", 3"	<b>645.00</b>
		-6S	2", 3", 4"	<b>719.00</b>
		-7S	2", 3", 4"	<b>863.00</b>
		-8S	3", 4"	<b>1,042.00</b>
		-10S	6"	<b>2,198.00</b>
<b>ZB415</b>	D.C.C.I. Body Assembly with Polished Bronze Top	-5S	2", 3"	<b>592.00</b>
		-6S	2", 3", 4"	<b>680.00</b>
		-7S	2", 3", 4"	<b>807.00</b>
		-8S	3", 4"	<b>946.00</b>
		-10S	6"	<b>2,088.00</b>
<b>Z415</b>	D.C.C.I. Body Assembly ONLY (add "-L/Top" to product sku)	No Strainer	2", 3", 4"	<b>194.00</b>
			6"	<b>739.00</b>

OUTLETS (SPECIFY PIPE SIZE IN INCHES AND TYPE OF OUTLET)				
OUTLET TYPE		PIPE SIZE/ OUTLET TYPE	E BODY HT. DIM.	ADD
<b>IC</b>	Inside Caulk	2IC, 3IC, 4IC	4-13/16"	<b>N/C</b>
<b>IG</b>	Inside Gasket	2IG, 3IG, 4IG	4-13/16"	<b>N/C</b>
<b>IP</b>	Threaded	2IP	2-7/16"	<b>80.00</b>
		3IP	2-3/4"	<b>80.00</b>
		4IP	2-13/16"	<b>80.00</b>
		6IP	2-7/8"	<b>80.00</b>
<b>NH</b>	No-Hub	2NH, 3NH, 4NH	3-13/16"	<b>N/C</b>
<b>NL</b>	Neo-Loc	2NL, 3NL, 4NL	3-7/8"	<b>N/C</b>

SUFFIXES		ADD
<b>-AR</b>	Acid Resisting Epoxy Coated Cast Iron	<b>171.00</b>
<b>-CP</b>	Chrome-Plated Bronze Top	<b>26.00</b>
<b>-G</b>	Galvanized Cast Iron	<b>198.00</b>
<b>-HD</b>	Heavy-Duty Grate (ZN 6" x 6" only)	<b>206.00</b>
<b>-OF</b>	Oval Funnel (6", 7", 8", 10" strainers only) (See Z329-7)	<b>-</b>
<b>-P</b>	Trap Primer Connection (1/2")	<b>N/C</b>
Ⓢ <b>-PC</b>	Protective Cover	<b>64.00</b>
Ⓢ <b>-SA</b>	Stabilizer Assembly (See Z1035)	<b>138.00</b>
Ⓢ <b>-SQ</b>	Stabilizer Q-Deck (See Z1035-Q)	<b>184.00</b>
Ⓢ <b>-TC</b>	Neo-Loc Test Cap Gasket (2", 3", 4" NL Bottom Outlet Only)	<b>24.00</b>
<b>-U</b>	1"-3" High Extension Adapter (See Z400-U)	D.C. <b>140.00</b>
		Galv. <b>306.00</b>
	For each additional 1" above 3"	<b>98.00</b>
<b>-V</b>	Backwater Valve (Not Available with -Y)	<b>380.00</b>
<b>-VP</b>	Vandal-Proof Secured Top	<b>58.00</b>
<b>-Y</b>	Sediment Bucket (Not Available with -V)	<b>109.00</b>
<b>-4</b>	4" Diameter Funnel (See Z328)	<b>-</b>
<b>-90</b>	90° Threaded Side Outlet Body Assembly (2" and 3" Only)	<b>219.00</b>

BEST SELLERS	LIST PRICE
ZB415-2NH-5S-CP	<b>618.00</b>
ZN415-2NH-5S-P	<b>645.00</b>
ZB415-2NL-5S	<b>592.00</b>
ZB415-3NH-6S	<b>680.00</b>
ZB415-3NH-6S-P	<b>680.00</b>
ZB415-3NL-5S	<b>592.00</b>
ZN415-3NL-5S-P	<b>645.00</b>
ZB415-3NL-6S-P	<b>680.00</b>
ZN415-2NL-7S	<b>863.00</b>
ZB415-3NL-8S	<b>946.00</b>
ZN415-3NH-8S	<b>1,042.00</b>

\*Regularly furnished unless otherwise specified.

Items designated as Best Sellers are most specified and are generally in stock for shipment.

Ⓢ This symbol denotes a product that is engineered to reduce installation and rework time.

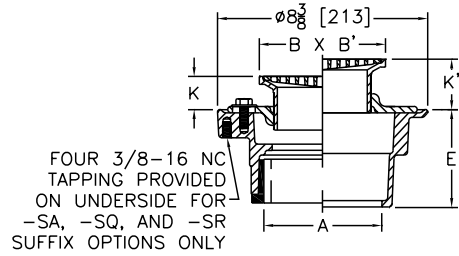
For additional product information, please visit [www.zurn.com](http://www.zurn.com)

# ZS415 BODY ASSEMBLY WITH "TYPE SS" STRAINER



## ENGINEERING SPECIFICATION

Zurn ZS415SS floor and shower drain features Dura-Coated cast iron body with bottom outlet, combination invertible membrane clamp and adjustable collar with seepage slots, and "TYPE SS" heel-proof, stainless steel, medium-duty square strainer.



Strainer Designation	Dimensions in inches [mm]						Str. Open Area sq in [cm <sup>2</sup> ]	Approximate Weight lb [kg]
	A Pipe Size	B x B' Strainer Top Size	K		K'			
			Min.	Max.	Min.	Max.		
-5SS	2 [51], 3 [76]	5 x 5 [127]	1 [25]	1-19/32 [40]	1-1/4 [32]	2-3/8 [60]	8-1/2 [55]	11 [5]
-6SS	2 [51], 3 [76], 4 [102]	6 x 6 [152]		1-27/32 [47]	1-13/32 [36]	2-19/32 [66]	13 [84]	12 [5]
-8SS	3 [76], 4 [102]	8 x 8 [203]	1-3/32 [27]	1-7/8 [48]	1-3/4 [44]	2-5/8 [67]	24-1/2 [158]	15 [7]

PREFIXES	DESCRIPTION	STRAINER DESIG.	PIPE SIZE	LIST PRICE
<b>ZS415*</b>	D.C.C.I. Body Assembly with Square Type 304 (CF8) Stainless Steel Top	-5SS	2", 3"	<b>1,091.00</b>
		-6SS	2", 3", 4"	<b>1,337.00</b>
		-8SS	3", 4"	<b>1,812.00</b>
<b>ZM415</b>	D.C.C.I. Body Assembly with Square Type 316 (CF8M) Stainless Steel Top	-5SS	2", 3"	<b>POA</b>
		-6SS	2", 3", 4"	<b>POA</b>
		-8SS	3", 4"	<b>POA</b>
<b>Z415</b>	D.C.C.I. Body Assembly ONLY (add "-L/Top" to product sku)	No Strainer	2", 3", 4"	<b>194.00</b>

SUFFIXES	ADD
<b>-AR</b>	Acid Resisting Epoxy Coated Cast Iron <b>171.00</b>
<b>-G</b>	Galvanized Cast Iron <b>198.00</b>
<b>-P</b>	Trap Primer Connection (1/2") <b>N/C</b>
<b>-TC</b>	Neo-Loc Test Cap Gasket (2", 3", 4" NL Bottom Outlet Only) <b>24.00</b>
<b>-U</b>	1"-3" High Extension Adapter (See Z400-U) <u>D.C.</u> <b>140.00</b>
	<u>Galv.</u> <b>306.00</b>
	For each additional 1" above 3" <b>98.00</b>
<b>-V</b>	Backwater Valve (Not Available with -Y) <b>380.00</b>
<b>-VP</b>	Vandal-Proof Secured Top <b>58.00</b>
<b>-Y</b>	Sediment Bucket (Not Available with -V) <b>109.00</b>

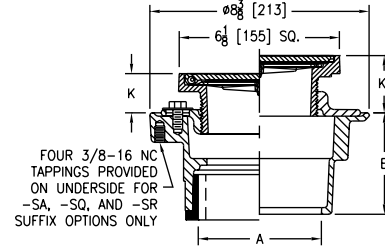
OUTLETS (SPECIFY PIPE SIZE IN INCHES AND TYPE OF OUTLET)				
OUTLET TYPE		PIPE SIZE/ OUTLET TYPE	E BODY HT. DIM.	ADD
<b>IC</b>	Inside Caulk	2IC, 3IC, 4IC	4-13/16"	<b>N/C</b>
<b>IP</b>	Threaded	2IP	2-7/16"	<b>80.00</b>
		3IP	2-3/4"	<b>80.00</b>
		4IP	2-13/16"	<b>80.00</b>
<b>NH</b>	No-Hub	2NH, 3NH, 4NH	3-13/16"	<b>N/C</b>
<b>NL</b>	Neo-Loc	2NL, 3NL, 4NL	3-7/8"	<b>N/C</b>

## Z415 BODY ASSEMBLY WITH "TYPE SC" STRAINER



### ENGINEERING SPECIFICATION

Zurn ZN415SC floor and shower drain features Dura-Coated cast iron body with bottom outlet, combination invertible membrane clamp, adjustable collar with seepage slots, and "TYPE SC" polished, nickel bronze strainer with flashing clamp device and adjustable strainer top with scoriated, hinged, light-duty cover.



Strainer Designation	Dimensions in inches [mm]					Approximate Weight lb [kg]
	A Pipe Size	K		K'		
		Min.	Max.	Min.	Max.	
-6SC	2 [51], 3 [76], 4 [102]	1-3/16 [30]	1-15/16 [152]	1-3/4 [44]	2-7/8 [73]	16 [7]

PREFIXES	DESCRIPTION	STRAINER DESIG.	PIPE SIZE	LIST PRICE
<b>ZN415*</b>	D.C.C.I. Body Assembly with Polished Nickel Bronze Top	-6SC	2", 3", 4"	<b>1,239.00</b>
<b>ZB415</b>	D.C.C.I. Body Assembly with Polished Bronze Top	-6SC	2", 3", 4"	<b>1,085.00</b>
<b>Z415</b>	D.C.C.I. Body Assembly ONLY (add "-L/Top" to product sku)	No Strainer	2", 3", 4"	<b>194.00</b>

OUTLETS (SPECIFY PIPE SIZE IN INCHES AND TYPE OF OUTLET)				
OUTLET TYPE	PIPE SIZE/ OUTLET TYPE	E BODY HT. DIM.	ADD	
NH	No-Hub	2NH, 3NH, 4NH	3-13/16"	N/C
NL	Neo-Loc	2NL, 3NL, 4NL	3-7/8"	N/C

SUFFIXES	ADD
<b>-AR</b>	Acid Resisting Epoxy Coated Cast Iron <b>171.00</b>
<b>-CP</b>	Chome-Plated Bronze Top <b>26.00</b>
<b>-G</b>	Galvanized Cast Iron <b>198.00</b>
<b>-GC</b>	Gasketed Cover <b>84.00</b>
<b>-LR</b>	Lift Ring <b>224.00</b>
<b>-P</b>	Trap Primer Connection (1/2") <b>N/C</b>
Ⓢ <b>-SA</b>	Stabilizer Assembly (See Z1035) <b>138.00</b>
Ⓢ <b>-SQ</b>	Stabilizer Q-deck (See Z1035-Q) <b>184.00</b>
Ⓢ <b>-SR</b>	Stabilizer Ring (See Z400-SR) <b>121.00</b>
Ⓢ <b>-TC</b>	Neo-Loc Test Cap Gasket (2", 3", 4" NL Bottom Outlet Only) <b>24.00</b>
<b>-TS</b>	Top Secured with Slotted Screw <b>58.00</b>
<b>-U</b>	1"-3" High Extension Adapter (See Z400-U) <b>140.00</b>
	For each additional 1" above 3" <b>98.00</b>
<b>-V</b>	Backwater Valve (Not Available with -Y) <b>380.00</b>
<b>-VP</b>	Vandal-Proof Secured Top <b>98.00</b>
<b>-Y</b>	Sediment Bucket (Not Available with -V) <b>109.00</b>

\*Regularly furnished unless otherwise specified.

Items designated as Best Sellers are most specified and are generally in stock for shipment.

Ⓢ This symbol denotes a product that is engineered to reduce installation and rework time.

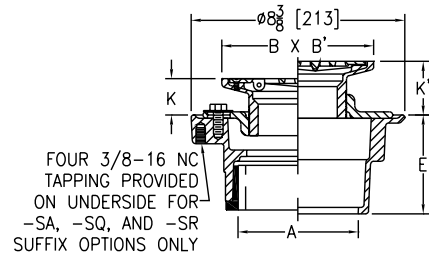
For additional product information, please visit [www.zurn.com](http://www.zurn.com)

## Z415 BODY ASSEMBLY WITH "TYPE SH" STRAINER



### ENGINEERING SPECIFICATION

Zurn ZN415SH floor and shower drain features Dura-Coated cast iron body with bottom outlet, combination invertible membrane clamp and adjustable collar with seepage slots, and "TYPE SH" polished, nickel bronze, square, hinged, light-duty strainer.



Strainer Designation	Dimensions in inches [mm]						Str. Open Area sq in [cm <sup>2</sup> ]	Approximate Weight lb [kg]
	A Pipe Size	B x B' Strainer Top Size	K		K'			
			Min.	Max.	Min.	Max.		
-6SH	2 [51], 3 [76], 4 [102]	6 x 6 [152]	1 [25]	1-7/8 [48]	1-3/4 [44]	2-5/8 [67]	12 [77]	13 [6]
-8SH	6 [152]	8 x 8 [203]	1-5/32 [29]	2 [51]	2 [51]	3-3/4 [95]	21 [135]	17 [8]
								19 [9]

PREFIXES	DESCRIPTION	STRAINER DESIG.	PIPE SIZE	LIST PRICE
<b>ZN415*</b>	D.C.C.I. Body Assembly with Polished Nickel Bronze Top	-6SH	2", 3", 4"	<b>992.00</b>
		-8SH	2", 3", 4"	<b>1,311.00</b>
			6"	<b>1,852.00</b>
<b>ZB415</b>	D.C.C.I. Body Assembly with Polished Bronze Top	-6SH	2", 3", 4"	<b>955.00</b>
		-8SH	2", 3", 4"	<b>1,215.00</b>
			6"	<b>1,759.00</b>
<b>Z415</b>	D.C.C.I. Body Assembly ONLY (add "-L/Top" to product sku)	No Strainer	2", 3", 4"	<b>194.00</b>
			6"	<b>739.00</b>

OUTLETS (SPECIFY PIPE SIZE IN INCHES AND TYPE OF OUTLET)				
OUTLET TYPE		PIPE SIZE/ OUTLET TYPE	E BODY HT. DIM.	ADD
<b>IP</b>	Threaded	2IP	2-7/16"	<b>80.00</b>
		3IP	2-3/4"	<b>80.00</b>
		4IP	2-13/16"	<b>80.00</b>
		6IP	2-7/8"	<b>80.00</b>
<b>NH</b>	No-Hub	2NH, 3NH, 4NH	3-13/16"	<b>N/C</b>
<b>NL</b>	Neo-Loc	2NL, 3NL, 4NL	3-7/8"	<b>N/C</b>

SUFFIXES		ADD
<b>-AR</b>	Acid Resisting Epoxy Coated Cast Iron	<b>171.00</b>
<b>-G</b>	Galvanized Cast Iron	<b>198.00</b>
<b>-P</b>	Trap Primer Connection (1/2")	<b>N/C</b>
Ⓢ <b>-SA</b>	Stabilizer Assembly (See Z1035)	<b>138.00</b>
Ⓢ <b>-SQ</b>	Stabilizer Q-deck (See Z1035-Q)	<b>184.00</b>
Ⓢ <b>-SR</b>	Stabilizer Ring (See Z400-SR)	<b>121.00</b>
Ⓢ <b>-TC</b>	Neo-Loc Test Cap Gasket (2", 3", 4" NL Bottom Outlet Only)	<b>24.00</b>
<b>-U</b>	1"-3" High Extension Adapter (See Z400-U)	D.C. <b>140.00</b>
		Galv. <b>306.00</b>
	For each additional 1" above 3"	<b>98.00</b>
<b>-V</b>	Backwater Valve (Not Available with -Y)	<b>380.00</b>
<b>-VP</b>	Vandal-Proof Secured Top	<b>58.00</b>
<b>-Y</b>	Sediment Bucket (Not Available with -V)	<b>109.00</b>
<b>-90</b>	90° Threaded Side Outlet Body Assembly (2" and 3" Only)	<b>219.00</b>

SEE LEGACY ADDENDUM ON PAGE 369 FOR MORE INFORMATION

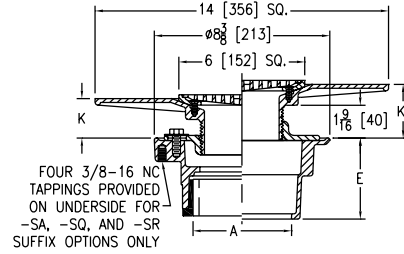


# Z415 BODY ASSEMBLY WITH "TYPE SL" STRAINER



## ENGINEERING SPECIFICATION

Zurn ZN415SL floor and shower drain features Dura-Coated cast iron body with bottom outlet, combination invertible membrane clamp and adjustable collar with seepage slots, and "TYPE SL" polished, nickel bronze square, wide flanged, light-duty strainer.



Strainer Designation	Dimensions in inches [mm]				Str. Open Area sq in [cm <sup>2</sup> ]	Approximate Weight lb [kg]	
	A Pipe Size	K		K'			
		Min.	Max.	Min.			Max.
-6SL	2 [51], 3 [76], 4 [102]	1-1/4 [32]	2-15/16 [75]	1-3/4 [44]	3-1/6 [80]	14 [90]	21 [10]

PREFIXES	DESCRIPTION	STRAINER DESIG.	PIPE SIZE	LIST PRICE
<b>ZN415*</b>	D.C.C.I. Body Assembly with Polished Nickel Bronze Top	-6SL	2", 3", 4"	<b>1,392.00</b>
<b>ZB415</b>	D.C.C.I. Body Assembly with Polished Bronze Top	-6SL	2", 3", 4"	<b>1,336.00</b>
<b>Z415</b>	D.C.C.I. Body Assembly ONLY (add "-L/Top" to product sku)	No Strainer	2", 3", 4"	<b>194.00</b>

OUTLETS (SPECIFY PIPE SIZE IN INCHES AND TYPE OF OUTLET)				
OUTLET TYPE		PIPE SIZE/ OUTLET TYPE	E BODY HT. DIM.	ADD
<b>IC</b>	Inside Caulk	2IC, 3IC, 4IC	4-13/16"	<b>N/C</b>
<b>IP</b>	Threaded	2IP	2-7/16"	<b>80.00</b>
		3IP	2-3/4"	<b>80.00</b>
		4IP	2-13/16"	<b>80.00</b>
<b>NH</b>	No-Hub	2NH, 3NH, 4NH	3-13/16"	<b>N/C</b>
<b>NL</b>	Neo-Loc	2NL, 3NL, 4NL	3-7/8"	<b>N/C</b>

SUFFIXES		ADD
<b>-AR</b>	Acid Resisting Epoxy Coated Cast Iron	<b>171.00</b>
<b>-CP</b>	Chrome-Plated Bronze Top	<b>26.00</b>
<b>-G</b>	Galvanized Cast Iron	<b>380.00</b>
<b>-P</b>	Trap Primer Connection (1/2"*)	<b>N/C</b>
Ⓢ <b>-PC</b>	Protective Cover	<b>64.00</b>
Ⓢ <b>-TC</b>	Neo-Loc Test Cap Gasket (2", 3", 4" NL Bottom Outlet Only)	<b>24.00</b>
<b>-U</b>	1"-3" High Extension Adapter (See Z400-U)	D.C. <b>140.00</b>
		Galv. <b>306.00</b>
	For each additional 1" above 3"	<b>98.00</b>
<b>-V</b>	Backwater Valve (Not Available with -Y)	<b>380.00</b>
<b>-VP</b>	Vandal-Proof Secured Top	<b>58.00</b>
<b>-Y</b>	Sediment Bucket (Not Available with -V)	<b>109.00</b>
<b>-90</b>	90° Threaded Side Outlet Body Assembly (2" and 3" Only)	<b>219.00</b>

\*Regularly furnished unless otherwise specified.

Items designated as Best Sellers are most specified and are generally in stock for shipment.

Ⓢ This symbol denotes a product that is engineered to reduce installation and rework time.

For additional product information, please visit [www.zurn.com](http://www.zurn.com)

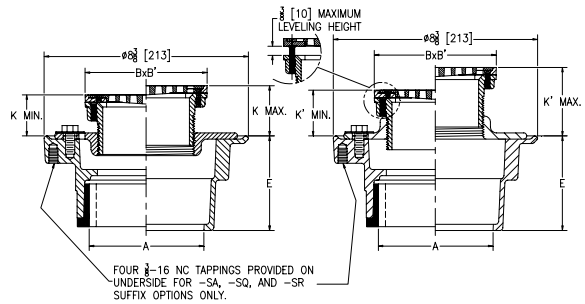
## ⌚ Z415 BODY ASSEMBLY WITH "TYPE SZ" LEVELING STRAINER



Patented

### ENGINEERING SPECIFICATION

Zurn ZN415SZ Floor and shower drain features Dura-Coated cast iron body with bottom outlet, combination invertible membrane clamp, and adjustable collar with seepage slots and "TYPE SZ" polished nickel bronze, light-duty, square leveling strainer.



Strainer Designation	Dimensions in inches [mm]						Str. Open Area sq in [cm <sup>2</sup> ]	Approximate Weight lb [kg]
	A Pipe Size	B x B' Strainer Top Size	K		K'			
			Min.	Max.	Min.	Max.		
-5SZ	2 [51], 3 [76]	5 x 5 [127]	1-11/16 [43]	2-1/16 [52]	1-13/16 [46]	2-13/16 [71]	8 [52]	11 [5]
-6SZ	2 [51], 3 [76], 4 [102]	6 x 6 [152]					13 [84]	13 [6]

PREFIXES	DESCRIPTION	STRAINER DESIG.	PIPE SIZE	LIST PRICE
<b>ZN415*</b>	D.C.C.I. Body Assembly with Polished Nickel Bronze Top	-5SZ	2", 3"	<b>645.00</b>
		-6SZ	2", 3", 4"	<b>719.00</b>
<b>ZB415</b>	D.C.C.I. Body Assembly with Polished Bronze Top	-5SZ	2", 3"	<b>592.00</b>
		-6SZ	2", 3", 4"	<b>680.00</b>
<b>ZS415</b>	D.C.C.I. Body Assembly with Polished Type 304 (CF8) Stainless Steel Top	-5SZ	2", 3"	<b>POA</b>
		-6SZ	2", 3", 4"	<b>POA</b>
OUTLETS (SPECIFY PIPE SIZE IN INCHES AND TYPE OF OUTLET)				
OUTLET TYPE		PIPE SIZE/ OUTLET TYPE	E BODY HT. DIM.	ADD
<b>IC</b>	Inside Caulk	2IC, 3IC, 4IC	4-13/16"	<b>N/C</b>
<b>IG</b>	Inside Gasket	2IG, 3IG, 4IG	4-13/16"	<b>N/C</b>
<b>IP</b>	Threaded	2IP	2-7/16"	<b>80.00</b>
		3IP	2-3/4"	<b>80.00</b>
		4IP	2-13/16"	<b>80.00</b>
<b>NH</b>	No-Hub	2NH, 3NH, 4NH	3-13/16"	<b>N/C</b>
<b>NL</b>	Neo-Loc	2NL, 3NL, 4NL	3-7/8"	<b>N/C</b>

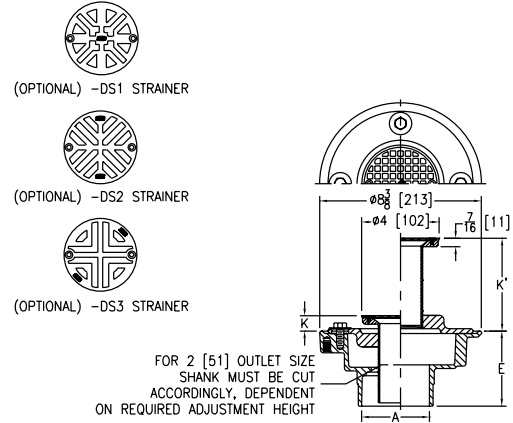
SUFFIXES	ADD
<b>-AA</b>	All Acid Resisting Epoxy <b>261.00</b>
<b>-AR</b>	Acid Resisting Epoxy Coated Cast Iron <b>171.00</b>
<b>-CP</b>	Chrome-Plated Bronze Top <b>26.00</b>
<b>-DP</b>	Decorative Polished Top <b>171.00</b>
<b>-G</b>	Galvanized Cast Iron <b>198.00</b>
<b>-P</b>	Trap Primer Connection (1/2") <b>N/C</b>
⌚ <b>-PC</b>	Protective Cover <b>64.00</b>
⌚ <b>-SA</b>	Stabilizer Assembly (See Z1035) <b>138.00</b>
⌚ <b>-SQ</b>	Stabilizer Q-deck (See Z1035-Q) <b>184.00</b>
⌚ <b>-SR</b>	Stabilizer Ring (See Z400-SR) <b>121.00</b>
⌚ <b>-TC</b>	Neo-Loc Test Cap Gasket (2", 3", 4" NL Bottom Outlet Only) <b>24.00</b>
<b>-U</b>	1"-3" High Extension Adapter (See Z400-U) <b>140.00</b>
	D.C. <b>140.00</b>
	Galv. <b>306.00</b>
	For each additional 1" above 3" <b>98.00</b>
<b>-V</b>	Backwater Valve (Not Available with -Y) <b>380.00</b>
<b>-VP</b>	Vandal-Proof Secured Top <b>58.00</b>
<b>-Y</b>	Sediment Bucket (Not Available with -V) <b>109.00</b>
<b>-90</b>	90° Threaded Side Outlet Body Assembly (2" and 3" Only) <b>219.00</b>
BEST SELLERS LIST PRICE	
<b>ZN415-3NH-6SZ</b>	<b>719.00</b>
<b>ZN415-3NL-6SZ-P</b>	<b>719.00</b>

# Z420 DEEP SHANK FLOOR AND SHOWER DRAIN FOR MARBLE AND GRANITE APPLICATIONS



## ENGINEERING SPECIFICATION

Zurn ZN420 deep shank floor and shower drain features white acid resisting coated cast iron body and invertible membrane clamp with seepage slots, polished nickel bronze adjustable head with 2" N.P.S.M. shank, and 4" diameter round, secured strainer.



Dimensions in inches [mm]					Str. Open Area sq in [cm <sup>2</sup> ]	Approximate Weight lb [kg]
A Pipe Size	K		K'			
	Min.	Max.	Min.	Max.		
2 [51], 3 [76], 4 [102] 6 [152]	13/16 [21]	3-3/4 [95]	1-1/4 [32]	4-13/16 [122]	5 [32]	15 [7] 13 [6]

PREFIXES	DESCRIPTION	PIPE SIZE	LIST PRICE	
<b>ZN420*</b>	White A.R.C. Cast Iron Body and Collar with Polished Nickel Bronze Top	2", 3", 4"	<b>668.00</b>	
		6"	<b>1,867.00</b>	
<b>ZB420</b>	White A.R.C. Cast Iron Body and Collar with Polished Bronze Top	2", 3", 4"	<b>633.00</b>	
		6"	<b>1,652.00</b>	
OUTLETS (SPECIFY PIPE SIZE IN INCHES AND TYPE OF OUTLET)				
OUTLET TYPE		PIPE SIZE/ OUTLET TYPE	E BODY HT. DIM.	ADD
<b>IC</b>	Inside Caulk	2IC, 3IC, 4IC	4-13/16"	<b>N/C</b>
<b>IP</b>	Threaded	2IP	2-7/16"	<b>80.00</b>
		3IP	2-3/4"	<b>80.00</b>
		4IP	2-13/16"	<b>80.00</b>
		6IP	2-7/8"	<b>80.00</b>
<b>NH</b>	No-Hub	2NH, 3NH, 4NH	3-13/16"	<b>N/C</b>
<b>NL</b>	Neo-Loc	2NL, 3NL, 4NL	3-7/8"	<b>N/C</b>

SUFFIXES		ADD
<b>-DS1</b>	Decorative Strainer	<b>N/C</b>
<b>-DS2</b>	Decorative Strainer	<b>N/C</b>
<b>-DS3</b>	Decorative Strainer	<b>N/C</b>
<b>-G</b>	Galvanized Cast Iron	<b>190.00</b>
<b>-P</b>	Trap Primer Connection (1/2"*)	<b>N/C</b>
⌚ <b>-SA</b>	Stabilizer Assembly (See Z1035)	<b>138.00</b>
⌚ <b>-SQ</b>	Stabilizer Q-deck (See Z1035-Q)	<b>184.00</b>
⌚ <b>-SR</b>	Stabilizer Ring (See Z400-SR)	<b>121.00</b>
⌚ <b>-TC</b>	Neo-Loc Test Cap Gasket (2", 3", 4" NL Bottom Outlet Only)	<b>24.00</b>
<b>-VP</b>	Vandal-Proof Secured Top	<b>58.00</b>



-DS1 Option



-DS2 Option



-DS3 Option

\*Regularly furnished unless otherwise specified.

Items designated as Best Sellers are most specified and are generally in stock for shipment.

⌚ This symbol denotes a product that is engineered to reduce installation and rework time.

For additional product information, please visit [www.zurn.com](http://www.zurn.com)

# Z450 DRUM TRAP DRAIN WITH "TYPE B" STRAINER

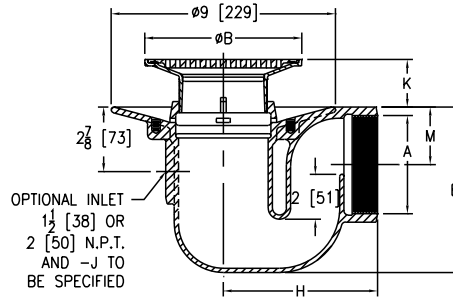


## ENGINEERING SPECIFICATION

Zurn ZN450B drum trap floor and shower drain features Dura-Coated cast iron body with integral trap, side outlet, seepage pan, and adjustable "TYPE B" polished, nickel bronze strainer.

## NOTES

For other available strainer variations, see our Z400 Strainer Series. Add price for required strainer to "BODY ONLY" price in chart. Specify strainer designation required.



Strainer Designation	Dimensions in inches [mm]								Str. Open Area sq in [cm <sup>2</sup> ]	Approximate Weight lb [kg]
	A Pipe Size	B Diameter	H		K		M			
			IP	NH	Min.	Max.	IP	NH		
-5B	2 [51]	5 [127]	6-1/16 [154]	11 [279]	7/8 [22]	2 [51]	1-15/32 [37]	2 [51]	8 [52]	18 [8]
	3 [76]		6-7/16 [164]				2-3/32 [53]	2-9/16 [65]		
	4 [102]		6-7/8 [175]				2-19/32 [66]	2-19/32 [66]		
-6B	2 [51]	6 [152]	6-1/16 [154]	11 [279]	1-1/8 [29]	2-1/4 [57]	1-15/32 [37]	2 [51]	9 [58]	19 [9]
	3 [76]		6-7/16 [164]				2-3/32 [53]	2-9/16 [65]		
	4 [102]		6-7/8 [175]				2-19/32 [66]	2-19/32 [66]		
-8B	2 [51]	8 [203]	6-1/16 [154]	11 [279]	1-1/2 [38]	2-5/8 [67]	1-15/32 [37]	2 [51]	18 [116]	33 [15]
	3 [76]		6-7/16 [164]				2-3/32 [53]	2-9/16 [65]		
	4 [102]		6-7/8 [175]				2-19/32 [66]	2-19/32 [66]		

PREFIXES	DESCRIPTION	STRAINER DESIG.	PIPE SIZE	LIST PRICE
<b>ZN450B*</b>	D.C.C.I. Body Assembly with Polished Nickel Bronze Top	-5B	2", 3"	<b>854.00</b>
			4"	<b>1,180.00</b>
		-6B	2", 3"	<b>960.00</b>
			4"	<b>1,287.00</b>
		-8B	2", 3"	<b>1,218.00</b>
			4"	<b>1,546.00</b>
<b>ZB450B</b>	D.C.C.I. Body Assembly with Polished Bronze Top	-5B	2", 3"	<b>829.00</b>
			4"	<b>1,155.00</b>
		-6B	2", 3"	<b>901.00</b>
			4"	<b>1,230.00</b>
		-8B	2", 3"	<b>1,175.00</b>
			4"	<b>1,501.00</b>
<b>Z450</b>	D.C.C.I. Body Assembly ONLY (add "-L/Top" to product sku)	No Strainer	2", 3"	<b>561.00</b>
			4"	<b>889.00</b>

SUFFIXES	ADD
-C	Clamp Collar <b>N/C</b>
-G	Galvanized Cast Iron <b>413.00</b>
-P	Trap Primer Connection (1/2") <b>150.00</b>
-PC	Protective Cover <b>64.00</b>
-U	1"-3" High Extension Adapter (See Z400-U) D.C. <b>140.00</b>
	Galv. <b>306.00</b>
	For each additional 1" above 3" <b>98.00</b>
-V	Backwater Valve (Not Available with -Y) (Ball Float Type) <b>388.00</b>
-VP	Vandal-Proof Secured Top <b>58.00</b>
-Y	Sediment Bucket (Not Available with -Y) <b>109.00</b>

OUTLETS (SPECIFY PIPE SIZE IN INCHES AND TYPE OF OUTLET)				
OUTLET TYPE		PIPE SIZE/ OUTLET TYPE	E BODY HT. DIM.	ADD
IP	Threaded	2IP, 3IP	6-17/32"	<b>N/C</b>
		4IP	7-7/16"	<b>N/C</b>
		2NH, 3NH	7-7/16"	<b>N/C</b>
NH	No-Hub	4NH	7-7/16"	<b>N/C</b>

For additional product information, please visit [www.zurn.com](http://www.zurn.com)

\*Regularly furnished unless otherwise specified.

Items designated as Best Sellers are most specified and are generally in stock for shipment.

⊙ This symbol denotes a product that is engineered to reduce installation and rework time.

# Z451 SHALLOW TRAP DRAIN WITH "TYPE B" STRAINER

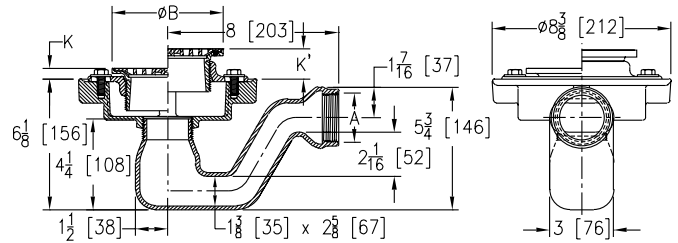


## ENGINEERING SPECIFICATION

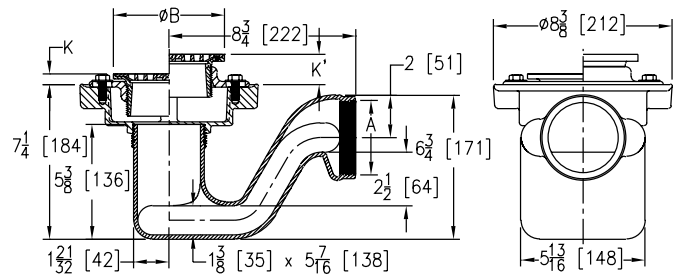
Zurn ZN451B Shallow trap floor and shower drain features Dura-Coated cast iron body with bottom outlet, combination invertible membrane clamp and adjustable collar with seepage slots, adjustable "TYPE B" polished, nickel bronze, heel-proof strainer, and cast iron shallow trap body with 2" or 3" waterway and threaded side outlet.

## NOTES

For other available strainer variations, see our Z400 Strainer Series. Add price for required strainer to "BODY ONLY" price in chart. Specify strainer designation required.



-2IP Option Shown



-3IP Option Shown

Strainer Designation	Dimensions in inches [mm]						Str. Open Area sq in [cm <sup>2</sup> ]	Approximate Weight lb [kg]
	A Pipe Size	B Diameter	K		K'			
			Min.	Max.	Min.	Max.		
-5B	2 [51], 3 [76]	5 [127]	1 [25]	1-1/2 [38]	1-3/32 [27]	2-1/4 [57]	8 [52]	15 [7]
-6B		6 [152]		1-25/32 [45]	1-13/32 [36]	2-17/32 [64]	9 [58]	18 [8]
-7B		7 [178]		2-1/8 [54]	1-23/32 [44]	2-7/8 [73]	12 [77]	20 [9]
-8B	8 [203]	1-5/32 [29]	1-3/4 [44]		18 [116]		21 [10]	

PREFIXES	DESCRIPTION	STRAINER DESIG.	PIPE SIZE	LIST PRICE
<b>ZN451B*</b>	D.C.C.I. Body Assembly with Polished Nickel Bronze Top	-5B	2", 3"	<b>850.00</b>
		-6B	2", 3"	<b>955.00</b>
		-7B	2", 3"	<b>1,045.00</b>
		-8B	3"	<b>1,215.00</b>
<b>ZB451B</b>	D.C.C.I. Body Assembly with Polished Bronze Top	-5B	2", 3"	<b>824.00</b>
		-6B	2", 3"	<b>899.00</b>
		-7B	2", 3"	<b>1,009.00</b>
		-8B	3"	<b>1,172.00</b>
<b>Z451</b>	D.C.C.I. Body Assembly ONLY (add "-L/Top" to product sku)	No Strainer	2", 3"	<b>517.00</b>

SUFFIXES	ADD
-CP	Chrome-Plated Bronze Top <b>26.00</b>
-G	Galvanized Cast Iron <b>391.00</b>
-P	Trap Primer Connection (1/2") <b>N/C</b>
Ⓢ -PC	Protective Cover <b>64.00</b>
-U	1"-3" High Extension Adapter (See Z400-U) <b>140.00</b>
	For each additional 1" above 3" <b>306.00</b>
-V	Backwater Valve (Not Available with -Y) <b>98.00</b>
-VP	Vandal-Proof Secured Top <b>58.00</b>
-Y	Sediment Bucket (Not Available with -V) <b>109.00</b>

OUTLETS (SPECIFY PIPE SIZE IN INCHES AND TYPE OF OUTLET)			
OUTLET TYPE	PIPE SIZE/ OUTLET TYPE	E BODY HT. DIM.	ADD
IP	Threaded	2IP, 3IP	6-17/32" <b>N/C</b>

\*Regularly furnished unless otherwise specified.

Items designated as Best Sellers are most specified and are generally in stock for shipment.

Ⓢ This symbol denotes a product that is engineered to reduce installation and rework time.

For additional product information, please visit [www.zurn.com](http://www.zurn.com)

INTRO ROOF DRAINS FLOOR DRAINS T, P, BW VALVES INTERCEPTORS CARRIERS HYDRANTS CLEANOUTS W/HA SS DRAINS FAB SS DRAINS SAN-FLOOR TECH INFO

# Z453 DEEP SEAL TRAP DRAIN WITH "TYPE B" STRAINER

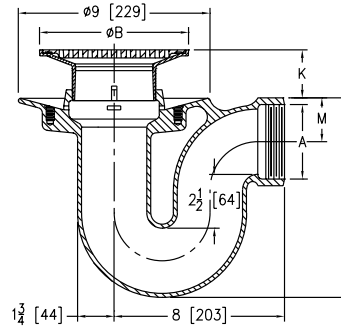


## ENGINEERING SPECIFICATION

Zurn ZN453B deep seal trap floor and shower drain features Dura-Coated cast iron body with uniform diameter integral trap, side outlet, seepage pan, and adjustable "TYPE B" polished, nickel bronze light-duty strainer.

## NOTES

For other available strainer variations, see our Z400 Strainer Series. Add price for required strainer to "BODY ONLY" price in chart. Specify strainer designation required.



Strainer Designation	Dimensions in inches [mm]				Str. Open Area sq in [cm <sup>2</sup> ]	Approximate Weight lb [kg]	
	A Pipe Size	B Diameter	K				M
			Min.	Max.			
-5B	2 [51], 3 [76]	5 [127]	3/4 [19]	1-7/8 [48]	2-1/8 [54]	8 [52]	30 [14]
	4 [102]					9 [58]	31 [14]
-6B	2 [51], 3 [76]	6 [152]	1-1/8 [29]	2-1/8 [54]		12 [77]	33 [15]
	4 [102]					18 [116]	32 [15]
-7B	2 [51], 3 [76]	7 [178]	1-3/8 [35]	2-1/2 [64]			
	4 [102]						
-8B	4 [102]	8 [203]					

PREFIXES	DESCRIPTION	STRAINER DESIG.	PIPE SIZE	LIST PRICE
<b>ZN453B*</b>	D.C.C.I. Body Assembly with Polished Nickel Bronze Top	-5B	2", 3"	<b>950.00</b>
			4"	<b>1,045.00</b>
		-6B	2", 3"	<b>1,054.00</b>
			4"	<b>1,151.00</b>
		-7B	2", 3"	<b>1,146.00</b>
			4"	<b>1,239.00</b>
		-8B	4"	<b>1,413.00</b>
<b>ZB453B</b>	D.C.C.I. Body Assembly with Polished Bronze Top	-5B	2", 3"	<b>926.00</b>
			4"	<b>1,022.00</b>
		-6B	2", 3"	<b>999.00</b>
			4"	<b>1,094.00</b>
		-7B	2", 3"	<b>1,110.00</b>
			4"	<b>1,206.00</b>
-8B	4"	<b>1,367.00</b>		
<b>Z453</b>	D.C.C.I. Body Assembly ONLY (add "-L/Top" to product sku)	No Strainer	2", 3"	<b>660.00</b>
			4"	<b>756.00</b>

SUFFIXES	ADD
-C	Clamp Collar <b>N/C</b>
-P	Trap Primer Connection (1/2") <b>150.00</b>
-PC	Protective Cover <b>64.00</b>
-U	1"-3" High Extension Adapter (See Z400-U) D.C. <b>140.00</b>
	For each additional 1" above 3" <b>98.00</b>
-yp	Vandal-Proof Secured Top <b>58.00</b>
-Y	Sediment Bucket <b>109.00</b>

SEE LEGACY ADDENDUM ON PAGE 369 FOR MORE INFORMATION

OUTLETS (SPECIFY PIPE SIZE IN INCHES AND TYPE OF OUTLET)				
OUTLET TYPE		PIPE SIZE/ OUTLET TYPE	E BODY HT. DIM.	ADD
IP	Threaded	2IP, 3IP, 4IP	9-3/8"	<b>N/C</b>
NH	No-Hub	2NH, 3NH, 4NH	9-3/8"	<b>N/C</b>

# Z455 TRAP DRAIN WITH FLOOR CLEANOUT WITH "TYPE B" STRAINER

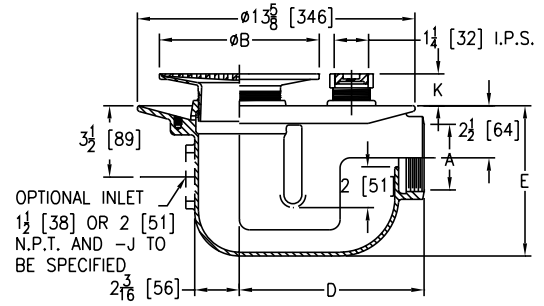


## ENGINEERING SPECIFICATION

Zurn ZN455B floor and shower trap drain features Dura-Coated cast iron body with integral trap, side outlet, seepage pan, floor level cleanout, and adjustable "TYPE B" polished, nickel bronze, light-duty strainer.

## NOTES

For other available strainer variations, see our Z400 Strainer Series. Add price for required strainer to "BODY ONLY" price in chart. Specify strainer designation required.



Strainer Designation	Dimensions in inches [mm]				Str. Open Area sq in [cm <sup>2</sup> ]	Approximate Weight lb [kg]
	A Pipe Size	B Diameter	K			
			Min.	Max.		
-5B	2 [51], 3 [76], 4 [102]	5 [127]	7/8 [22]	2 [51]	8 [52]	37 [17]
-6B		6 [152]	1-1/8 [29]	2-1/4 [57]	9 [58]	39 [18]
-7B		7 [178]	1-1/2 [38]	2-5/8 [67]	12 [77]	41 [19]
-8B		8 [203]			18 [116]	43 [20]

PREFIXES	DESCRIPTION	STRAINER DESIG.	PIPE SIZE	LIST PRICE
<b>ZN455B*</b>	D.C.C.I. Body Assembly with Polished Nickel Bronze Top	-5B	2", 3", 4"	<b>1,415.00</b>
		-6B	2", 3", 4"	<b>1,522.00</b>
		-7B	2", 3", 4"	<b>1,610.00</b>
		-8B	2", 3", 4"	<b>1,781.00</b>
<b>Z455</b>	D.C.C.I. Body Assembly ONLY (add "-L/Top" to product sku)	No Strainer	2", 3", 4"	<b>1,125.00</b>
OUTLETS (SPECIFY PIPE SIZE IN INCHES AND TYPE OF OUTLET)				
OUTLET TYPE	PIPE SIZE/ OUTLET TYPE	E BODY HT. DIM.	ADD	
<b>IP</b>	Threaded	2IP, 3IP	7-3/8"	<b>N/C</b>
		4IP	7-3/8"	<b>N/C</b>
<b>NH</b>	No-Hub	2NH, 3NH, 4NH	7-3/8"	<b>N/C</b>

SUFFIXES	ADD
<b>-C</b>	Clamping Collar <b>N/C</b>
<b>-FC</b>	Flush Cover for Plug <b>116.00</b>
<b>-P</b>	Trap Primer Connection (1/2") <b>150.00</b>
Ⓢ <b>-PC</b>	Protective Cover <b>64.00</b>
<b>-V</b>	Backwater Valve-Ball Float Type (Not Available with -Y) <b>399.00</b>
<b>-VP</b>	Vandal-Proof Secured Top <b>58.00</b>
<b>-Y</b>	Sediment Bucket (Not Available with -V) <b>109.00</b>

SEE LEGACY ADDENDUM ON PAGE 369 FOR MORE INFORMATION

\*Regularly furnished unless otherwise specified.

Items designated as Best Sellers are most specified and are generally in stock for shipment.

Ⓢ This symbol denotes a product that is engineered to reduce installation and rework time.

For additional product information, please visit [www.zurn.com](http://www.zurn.com)

INTRO ROOF DRAINS FLOOR DRAINS T, P, BW VALVES INTERCEPTORS CARRIERS HYDRANTS CLEANOUTS W/HA SS DRAINS FAB SS DRAINS SAN-FLOOR TECH INFO

# Z456 DEEP SEAL TRAP DRAIN WITH FLOOR CLEANOUT AND CLAMP COLLAR WITH "TYPE B" STRAINER

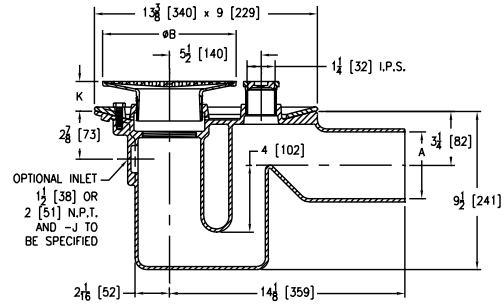


## ENGINEERING SPECIFICATION

Zurn ZN456B floor and shower drain features Dura-Coated cast iron body, deep seal integral trap with clamp collar, seepage pan, floor level cleanout, and adjustable "Type B" polished, nickel bronze strainer.

## NOTES

For other available strainer variations, see our Z400 Strainer Series. Add price for required strainer to "BODY ONLY" price in chart. Specify strainer designation required.



Strainer Designation	Dimensions in inches [mm]				Str. Open Area sq in [cm <sup>2</sup> ]	Approximate Weight lb [kg]
	A Pipe Size	B Diameter	K			
			Min.	Max.		
-5B	2 [51], 3 [76], 4 [102]	5 [127]	1-1/4 [32]	2 [51]	8 [52]	41 [19]
-6B		6 [152]	1-1/8 [29]	2-1/4 [57]	9 [58]	43 [20]
-7B		7 [178]	1-1/2 [38]	2-5/8 [67]	12 [77]	45 [20]
-8B		8 [203]			18 [116]	47 [21]

PREFIXES	DESCRIPTION	STRAINER DESIG.	PIPE SIZE	LIST PRICE
<b>ZN456B*</b>	D.C.C.I. Body Assembly with Polished Nickel Bronze Top	-5B	2", 3", 4"	<b>1,447.00</b>
		-6B	2", 3", 4"	<b>1,556.00</b>
		-7B	2", 3", 4"	<b>1,642.00</b>
		-8B	2", 3", 4"	<b>1,813.00</b>
<b>Z456</b>	D.C.C.I. Body Assembly ONLY (add "-L/Top" to product sku)	No Strainer	2", 3", 4"	<b>1,158.00</b>
OUTLETS (SPECIFY PIPE SIZE IN INCHES AND TYPE OF OUTLET)				
OUTLET TYPE	PIPE SIZE/OUTLET TYPE	ADD		
NH	No-Hub	2NH, 3NH, 4NH	<b>N/C</b>	

SUFFIXES	ADD
<b>-AR</b>	Acid Resisting Epoxy Coated Cast Iron <b>781.00</b>
<b>-G</b>	Galvanized Cast Iron <b>462.00</b>
<b>-P</b>	Trap Primer Connection (1/2") <b>150.00</b>
<b>-PC</b>	Protective Cover <b>64.00</b>
<b>-V</b>	Backwater Valve-Ball Float Type (Not Available with -Y) <b>399.00</b>
<b>-VP</b>	Vandal-Proof Secured Top <b>58.00</b>
<b>-Y</b>	Sediment Bucket (Not Available with -V) <b>109.00</b>
BEST SELLER LIST PRICE	
ZN456-2NH-5B	<b>1,447.00</b>



# Z460B SHALLOW BODY FLOOR DRAIN WITH SIDE OUTLET AND "TYPE B" STRAINER

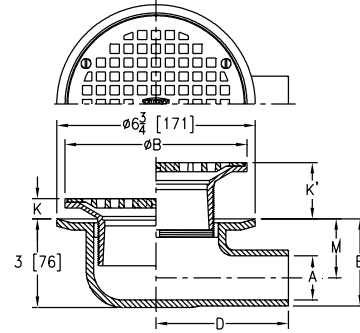


## ENGINEERING SPECIFICATION

Zurn ZN460B shallow body floor and shower drain features Dura-Coated cast iron body with side outlet, seepage slots, and integral threaded connection for "TYPE B" polished nickel bronze light-duty strainer.

## NOTES

For other available strainer variations, see our Z400 Strainer Series. Add price for required strainer to "BODY ONLY" price in chart. Specify strainer designation required.



Strainer Designation	Dimensions in inches [mm]					Str. Open Area sq in [cm <sup>2</sup> ]	Approximate Weight lb [kg]
	A Pipe Size	B Diameter	K Min.	K Max.	M		
-5B	1-1/2 [38]	5 [127]	15/32 [12]	1-5/8 [41]	2 [51]	8 [52]	8 [4]
	2 [51]				1-25/32 [45]		
-6B	1-1/2 [38]	6 [152]	11/16 [17]	1-29/32 [48]	2 [51]	9 [58]	9 [4]
	2 [51]				1-25/32 [45]		
-7B	1-1/2 [38]	7 [178]	1 [25]	2-1/4 [57]	2 [51]	12 [77]	10 [5]
	2 [51]				1-25/32 [45]		

PREFIXES	DESCRIPTION	STRAINER DESIG.	PIPE SIZE	LIST PRICE
<b>ZN460B*</b>	D.C.C.I. Body Assembly with Polished Nickel Bronze Top	-5B	1-1/2", 2"	<b>637.00</b>
		-6B	1-1/2", 2"	<b>744.00</b>
		-7B	1-1/2", 2"	<b>833.00</b>
<b>ZB460B</b>	D.C.C.I. Body Assembly with Polished Bronze Top	-5B	1-1/2", 2"	<b>614.00</b>
		-6B	1-1/2", 2"	<b>687.00</b>
		-7B	1-1/2", 2"	<b>798.00</b>
<b>Z460</b>	D.C.C.I. Body Assembly ONLY (add "-L/Top" to product sku)	No Strainer	1-1/2", 2"	<b>352.00</b>

OUTLETS (SPECIFY PIPE SIZE IN INCHES AND TYPE OF OUTLET)				
OUTLET TYPE		PIPE SIZE/ OUTLET TYPE	E BODY HT. DIM.	ADD
<b>IP</b>	Threaded	1-1/2IP	3-5/32"	<b>80.00</b>
		2IP	3-7/32"	<b>80.00</b>
<b>NH</b>	No-Hub	1-1/2NH, 2NH	2-31/32"	<b>N/C</b>

SUFFIXES		ADD
<b>-C</b>	Clamp Collar	<b>86.00</b>
<b>-CP</b>	Chrome-Plated Bronze Top	<b>26.00</b>
<b>-G</b>	Galvanized Cast Iron	<b>295.00</b>
<b>-PC</b>	Protective Cover	<b>64.00</b>
<b>-VP</b>	Vandal-Proof Secured Top	<b>58.00</b>
<b>-Y</b>	Sediment Bucket	<b>109.00</b>

BEST SELLERS	LIST PRICE
ZB460-2IP-5B-VP-G	<b>967.00</b>
ZB460-2NH-5B-C-CP	<b>726.00</b>
ZN460-2NH-5B	<b>637.00</b>

\*Regularly furnished unless otherwise specified.

Items designated as Best Sellers are most specified and are generally in stock for shipment.

⌚ This symbol denotes a product that is engineered to reduce installation and rework time.

For additional product information, please visit [www.zurn.com](http://www.zurn.com)

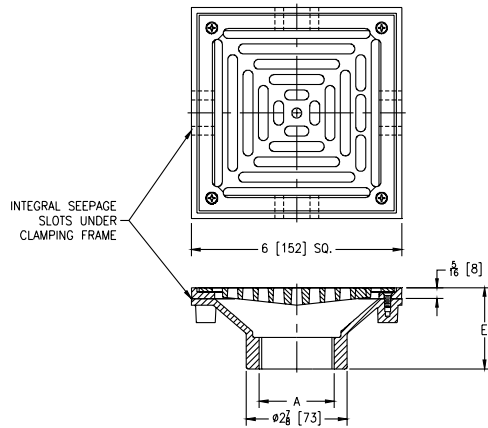
## Z461 6" SQUARE MODULAR NON-ADJUSTABLE FLOOR DRAIN WITH CLAMPING FRAME



### ENGINEERING SPECIFICATION

Zurn Z461 floor and shower drain features Dura-Coated cast iron, low profile body with 2" bottom outlet, combination nickel bronze membrane clamp and frame with seepage slots, and square heel-proof, slotted, light-duty, secured strainer.

A Pipe Size inch [mm]	Grate Open Area sq in [cm <sup>2</sup> ]	Approximate Weight lb [kg]
2 [51]	13 [84]	5 [2]



PREFIXES	DESCRIPTION	PIPE SIZE	LIST PRICE	
ZN461*	D.C.C.I. Body Assembly with Polished Bronze Top	2"	755.00	
OUTLETS (SPECIFY PIPE SIZE IN INCHES AND TYPE OF OUTLET)				
OUTLET TYPE		PIPE SIZE/ OUTLET TYPE	E BODY HT. DIM.	ADD
IP	Threaded	2IP	2-5/16"	N/C
SUFFIXES				ADD
-AR	Acid Resisting Epoxy Coated Cast Iron			171.00
-CP	Chrome-Plated Top			26.00
-DP	Decorative Polished Top			171.00
-G	Galvanized Cast Iron			198.00
-PC	Protective Cover			64.00
-VP	Vandal-Proof Secured Top			58.00

## Z503 15" HEAVY-DUTY AREA DRAIN



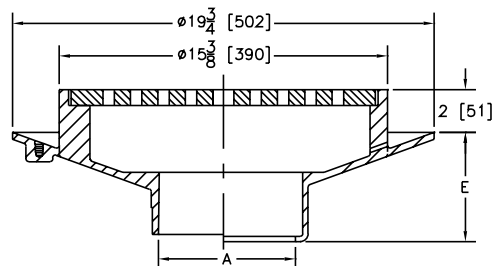
### ENGINEERING SPECIFICATION

Zurn Z503 15" diameter top drain features Dura-Coated cast iron body with bottom outlet, seepage pan, and heavy-duty, anti-tilt, slotted grate.

### NOTES

\*Add 3/16" to 2" dimension for ZB and ZN

A Pipe Size inch [mm]	Grate Open Area sq in [cm <sup>2</sup> ]	Approximate Weight lb [kg]
3 [76], 4 [102], 5 [127], 6 [152], 8 [203]	45 [290]	90 [41]



PREFIXES	DESCRIPTION	PIPE SIZE	LIST PRICE	
Z503*	D.C.C.I. Body and Top	3", 4", 5", 6", 8"	2,715.00	
ZB503	D.C.C.I. Body Assembly with Polished Bronze Top	3", 4", 5", 6", 8"	3,794.00	
ZN503	D.C.C.I. Body Assembly with Polished Nickel Bronze Top	3", 4", 5", 6", 8"	4,025.00	
OUTLETS (SPECIFY PIPE SIZE IN INCHES AND TYPE OF OUTLET)				
OUTLET TYPE		PIPE SIZE/ OUTLET TYPE	E BODY HT. DIM.	ADD
IC	Inside Caulk	3IC, 4IC, 5IC, 6IC	5-1/8"	N/C
		8IC	5-5/8"	N/C
IG	Inside Gasket	3IG, 4IG, 6IG	5-1/8"	N/C
IP	Threaded	3IP, 4IP, 5IP, 6IP, 8IP	3"	80.00
NL	Neo-Loc	4NL	3-7/8"	N/C
SUFFIXES				ADD
-AR	Acid Resisting Epoxy Coated Cast Iron			923.00
-C	Clamp Collar			N/C
-DG	Duresist Grate			655.00
-G	Galvanized Cast Iron			1,049.00
-S	Secondary Strainer			98.00
-TC	Neo-Loc Test Cap Gasket (2", 3", 4" NL Bottom Outlet Only)			24.00
-TS	Top Secured with Slotted Screws			129.00
-V	Backwater Valve-Ball Float Type			-
-VP	Vandal-Proof Secured Top			147.00
-Y	Sediment Bucket			314.00
BEST SELLER			LIST PRICE	
Z503-4NL			2,715.00	

# Z505 12" HEAVY-DUTY DRAIN



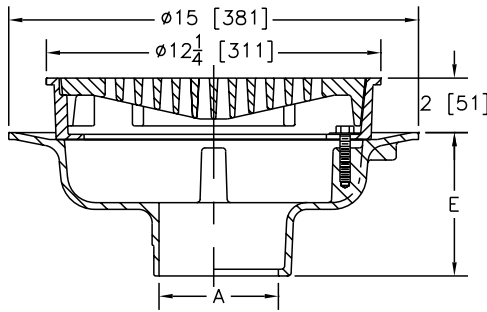
## ENGINEERING SPECIFICATION

Zurn Z505 12" diameter top drain features Dura-Coated cast iron body with bottom outlet, seepage pan and combination membrane flashing clamp and frame for heavy-duty, deep flange, slotted grate.

## NOTES

†Add 3/16" to 2" dimension and 3/4" to 12-1/4" dimension for ZB and ZN

A Pipe Size inch [mm]	Grate Open Area sq in [cm <sup>2</sup> ]	Approximate Weight lb [kg]
2 [51], 3 [76], 4 [102], 6 [152]	30 [194]	38 [17]
8 [203]		40 [18]



PREFIXES	DESCRIPTION	PIPE SIZE	LIST PRICE
Z505*	D.C.C.I. Body and Top	2", 3", 4", 6"	1,271.00
		8"	1,576.00
ZB505	D.C.C.I. Body Assembly with Polished Bronze Top	2", 3", 4", 6" 8"	1,906.00 2,206.00
ZN505	D.C.C.I. Body Assembly with Polished Nickel Bronze Top	2", 3", 4", 6" 8"	2,011.00 2,316.00

OUTLETS (SPECIFY PIPE SIZE IN INCHES AND TYPE OF OUTLET)			
OUTLET TYPE	PIPE SIZE/OUTLET TYPE	E BODY HT. DIM.	ADD
IC	Inside Caulk	3IC, 4IC, 6IC	5-1/4" N/C
IG	Inside Gasket	3IG, 4IG, 6IG	5-1/4" N/C
IP	Threaded	2IP, 3IP, 4IP, 6IP, 8IP	3-3/4" 80.00
NH	No-Hub	2NH, 3NH, 4NH, 6NH, 8NH	5-1/4" N/C
NL	Neo-Loc	2NL, 3NL, 4NL	4-5/8" N/C

SUFFIXES		ADD
-AR	Acid Resisting Epoxy Coated Cast Iron	850.00
-D	Dome Grate	Z 140.00
		ZB 417.00
		ZN 489.00
-DG	Duresist Grate	261.00
-F	Extension Frame - Per Inch (Specify Height)	125.00
-G	Galvanized Cast Iron	646.00
-HP	Heel-Proof Grate	N/C
-HT	Square Hinged Grate	245.00
-P	Trap Primer Connection	150.00
-S	Secondary Strainer	62.00
Ⓢ -SA	Stabilizer Assembly (See Z1036)	148.00
-SC	Solid Cover	582.00
-SS	Stainless Mesh Liner for Bucket	417.00
-T	Square Top	228.00
Ⓢ -TC	Neo-Loc Test Cap Gasket (2", 3", 4" NL Bottom Outlet Only)	24.00
-TS	Top Secured with Slotted Screws	149.00
-TSP	Trap Seal Protection Device (Size Matches Drain Outlet Selected, See Z1072)	POA
-V	Backwater Valve-Ball Float Type	-
-VP	Vandal-Proof Secured Top	132.00
-Y	Sediment Bucket	257.00
-90	90° Threaded Side Outlet Body Assembly (2", 3", 4", 6" Only)	365.00

BEST SELLERS	LIST PRICE
Z505-3NH	1,271.00
Z505-3NH-Y	1,528.00
Z505-3NL	1,271.00
Z505-4NH	1,271.00
Z505-4NH-P	1,421.00
Z505-4NH-P-Y	1,678.00
Z505-4NH-Y	1,528.00
Z505-4NL	1,271.00
Z505-4NL-DG-Y	1,789.00
Z505-4NL-P-VP-Y	1,810.00
Z505-4NL-P-Y	1,678.00
Z505-4NL-Y	1,528.00
Z505-6NH	1,271.00
Z505-6NH-VP-Y	1,660.00
Z505-6NL-Y	1,528.00
Z505-8NH	1,576.00

\*Regularly furnished unless otherwise specified.

Items designated as Best Sellers are most specified and are generally in stock for shipment.

Ⓢ This symbol denotes a product that is engineered to reduce installation and rework time.

For additional product information, please visit [www.zurn.com](http://www.zurn.com)

INTRO ROOF DRAINS FLOOR DRAINS T, P, BW VALVES INTERCEPTORS CARRIERS HYDRANTS CLEANOUTS W/HA SS DRAINS FAB SS DRAINS SANI-FLOOR TECH INFO

## Z507 7" MEDIUM-DUTY DRAIN



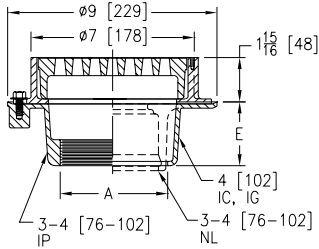
### ENGINEERING SPECIFICATION

Zurn Z507 7" diameter top drain features Dura-Coated cast iron body with bottom outlet, seepage pan, and combination membrane flashing clamp and frame for medium-duty, cast iron, deep flange, slotted grate.

### NOTES

†Add 3/16" to 1-1/2" or 1-15/16" dimension for ZN

A Pipe Size inch [mm]	Grate Open Area sq in [cm <sup>2</sup> ]	Approximate Weight lb [kg]
3 [76], 4 [102]	9 [58]	15 [7]



PREFIXES	DESCRIPTION	PIPE SIZE	LIST PRICE
Z507*	D.C.C.I. Body and Top	3", 4"	438.00
ZN507	D.C.C.I. Body Assembly with Polished Nickel Bronze Top	3", 4"	742.00

OUTLETS (SPECIFY PIPE SIZE IN INCHES AND TYPE OF OUTLET)			
OUTLET TYPE	PIPE SIZE/ OUTLET TYPE	E BODY HT. DIM.	ADD
IC	Inside Caulk	4IC	2-3/4" N/C
IG	Inside Gasket	4IG	2-3/4" N/C
IP	Threaded	3IP, 4IP	2-3/4" 80.00
NL	Neo-Loc	3NL, 4NL	3" N/C

SUFFIXES		ADD
-AR	Acid Resisting Epoxy Coated Cast Iron	850.00
-F	2" Extension Frame	140.00
-G	Galvanized Cast Iron	211.00
-P	Trap Primer Connection	150.00
-S	Secondary Strainer	47.00
Ⓢ -TC	Neo-Loc Test Cap Gasket (3", 4" NL Bottom Outlet Only)	24.00
-TS	Top Secured with Slotted Screws	129.00
-VP	Vandal-Proof Secured Top	149.00
-Y	Sediment Bucket	61.00

BEST SELLER		LIST PRICE
Z507-4NH		438.00

# Z508 9" EXTRA-HEAVY-DUTY DRAIN



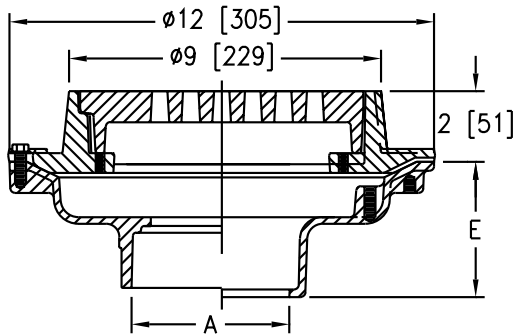
## ENGINEERING SPECIFICATION

Zurn Z508 9" diameter top drain features Dura-Coated cast iron body with bottom outlet, seepage pan, and combination membrane flashing clamp and frame for extra heavy-duty, cast iron, deep flange, slotted grate.

## NOTES

†Add 3/16" to 2" dimension and 3/4" to 9" dimension for ZB and ZN

A Pipe Size inch [mm]	Grate Open Area sq in [cm <sup>2</sup> ]	Approximate Weight lb [kg]
2 [51], 3 [76], 4 [102]	18 [116]	21 [10]
6 [152]		25 [11]



PREFIXES	DESCRIPTION	PIPE SIZE	LIST PRICE
Z508*	D.C.C.I. Body and Top	2", 3", 4"	668.00
		6"	798.00
ZB508	D.C.C.I. Body Assembly with Polished Bronze Top	2", 3", 4"	1,117.00
		6"	1,254.00
ZN508	D.C.C.I. Body Assembly with Polished Nickel Bronze Top	2", 3", 4"	1,215.00
		6"	1,355.00

OUTLETS (SPECIFY PIPE SIZE IN INCHES AND TYPE OF OUTLET)				
OUTLET TYPE		PIPE SIZE/ OUTLET TYPE	E BODY HT. DIM.	ADD
IC	Inside Caulk	4IC	3-3/4"	N/C
IG	Inside Gasket	4IG	3-3/4"	N/C
IP	Threaded	4IP	2-3/4"	80.00
NH	No-Hub	2NH, 3NH, 4NH	4-3/4"	N/C
		6NH	5-1/4"	N/C
NL	Neo-Loc	2NL, 3NL, 4NL	3-9/16"	N/C

SUFFIXES		ADD
-AR	Acid Resisting Epoxy Coated Cast Iron	501.00
-DG	Duresist Grate	194.00
-G	Galvanized Cast Iron	393.00
-HP	Heel-Proof Grate	N/C
-P	Trap Primer Connection	165.00
-S	Secondary Strainer	47.00
-SC	Solid Cover with Lift Handle	483.00
-SG	Solid Gasketed Cover with Handle	580.00
⌚ -TC	Neo-Loc Test Cap Gasket (2", 3", 4" NL Bottom Outlet Only)	24.00
-TS	Top Secured with Slotted Screws	129.00
-TSP	Trap Seal Protection Device (Size Matches Drain Outlet Selected, See Z1072)	POA
-VP	Vandal-Proof Secured Top	149.00
-Y	Sediment Bucket	140.00
-90	90° Threaded Side Outlet Body Assembly (2", 3", 4")	339.00

BEST SELLERS	LIST PRICE
Z508-2NH-P	833.00
Z508-3NH	668.00
Z508-3NH-HP	668.00
Z508-3NH-Y	808.00
ZN508-3NH-Y	1,355.00
Z508-3NL	668.00
Z508-3NL-Y	808.00
Z508-4NH	668.00
Z508-4NH-P-Y	973.00
Z508-4NH-Y	808.00
ZN508-4NH-Y	1,355.00
Z508-4NL	668.00
Z508-4NL-DG-Y	1,002.00
Z508-4NL-P	833.00
Z508-4NL-Y	808.00
Z508-6NH	798.00

\*Regularly furnished unless otherwise specified.

Items designated as Best Sellers are most specified and are generally in stock for shipment.

⌚ This symbol denotes a product that is engineered to reduce installation and rework time.

For additional product information, please visit [www.zurn.com](http://www.zurn.com)

INTRO ROOF DRAINS FLOOR DRAINS T, P, BW VALVES INTERCEPTORS CARRIERS HYDRANTS CLEANOUTS W/HA SS DRAINS FAB SS DRAINS SAN-FLOOR TECH INFO

## Z509 12" HEAVY-DUTY DRAIN



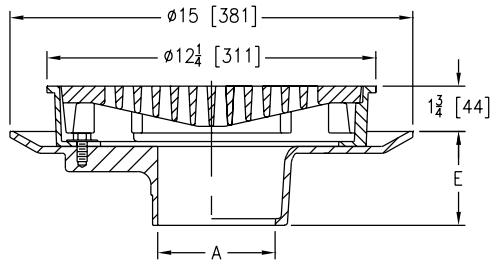
### ENGINEERING SPECIFICATION

Zurn Z509 12" diameter top drain features Dura-Coated cast iron body with bottom outlet, seepage pan, and combination membrane flashing clamp and frame for heavy-duty tractor grate.

### NOTES

†Add 3/16" to 1-3/4" dimension and 3/4" to 12-1/4" dimension for ZB and ZN

A Pipe Size inch [mm]	Grate Open Area sq in [cm <sup>2</sup> ]	Approximate Weight lb [kg]
3 [76], 4 [102], 6 [152]	30 [194]	38 [17]



PREFIXES	DESCRIPTION	PIPE SIZE	LIST PRICE
Z509*	D.C.C.I. Body and Top	3", 4", 6"	1,139.00
ZB509	D.C.C.I. Body Assembly with Polished Bronze Top	3", 4", 6"	1,768.00
ZN509	D.C.C.I. Body Assembly with Polished Nickel Bronze Top	3", 4", 6"	1,864.00

OUTLETS (SPECIFY PIPE SIZE IN INCHES AND TYPE OF OUTLET)			
OUTLET TYPE	PIPE SIZE/OUTLET TYPE	E BODY HT. DIM.	ADD
IC	Inside Caulk	3IC, 4IC, 6IC	3-1/2" N/C
IG	Inside Gasket	3IG, 4IG, 6IG	3-1/2" N/C
IP	Threaded	3IP, 4IP, 6IP	3-1/2" 80.00
NH	No-Hub	3NH, 4NH	3-1/2" N/C
		6NH (IP w/Z1040)	6" N/C
NL	Neo-Loc	3NL, 4NL	2-5/8" N/C

SUFFIXES			ADD
-AR	Acid Resisting Epoxy Coated Cast Iron		850.00
-DG	Duresist Grate		261.00
-DX	Dex-O-Tex Flange (Z and ZN Only)		781.00
-G	Galvanized Cast Iron		565.00
-HP	Heel-Proof Grate		N/C
-P	Trap Primer Connection		150.00
-PH	Grate with 3/8" Dia. Openings (Z only)		520.00
-S	Secondary Strainer		58.00
-T	Square Top	Z	344.00
		ZB	433.00
		ZN	489.00

Ⓢ -TC	Neo-Loc Test Cap Gasket (2", 3", 4" NL Bottom Outlet Only)	24.00
-TS	Top Secured with Slotted Screws	129.00
-TSP	Trap Seal Protection Device (Size Matches Drain Outlet Selected, See Z1072)	POA
-V	Backwater Valve-Ball Float Type (See Z1099)	-
-VP	Vandal-Proof Secured Top	149.00
-Y	Sediment Bucket	206.00

BEST SELLERS	LIST PRICE
Z509-3NH-P-S-Y	1,553.00
Z509-3NL	1,139.00
Z509-3NL-HP	1,139.00
Z509-3NL-P-S-Y	1,553.00
Z509-3NL-S-Y	1,403.00
Z509-4IP-AR-DG-VP-Y	2,685.00
Z509-4NH	1,139.00
Z509-4NH-AR-VP-Y	2,344.00
Z509-4NH-DG	1,400.00
Z509-4NL	1,139.00
Z509-4NL-DG-Y	1,606.00
Z509-4NL-P-Y	1,495.00
Z509-4NL-Y	1,345.00

# Z511 9" HEAVY-DUTY DRAIN



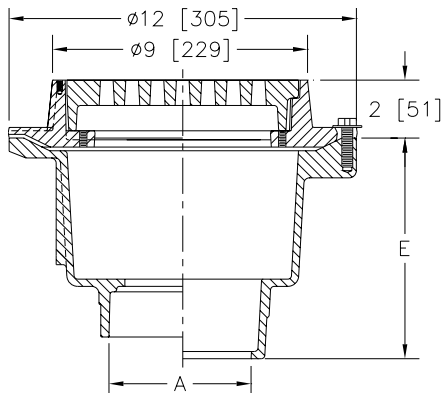
## ENGINEERING SPECIFICATION

Zurn Z511 9" diameter top drain features Dura-Coated cast iron, deep sump body with bottom outlet, seepage pan, and combination membrane flashing clamp and frame for heavy-duty, cast iron, deep flange grate.

## NOTES

†Add 3/16" to 2" dimension and 3/4" to 9" dimension for ZB and ZN

A Pipe Size inch [mm]	Grate Open Area sq in [cm <sup>2</sup> ]	Approximate Weight lb [kg]
2 [51], 3 [76], 4 [102]	18 [116]	40 [18]



PREFIXES	DESCRIPTION	PIPE SIZE	LIST PRICE
Z511*	D.C.C.I. Body and Top	2", 3", 4"	1,358.00
ZB511	D.C.C.I. Body Assembly with Polished Bronze Top	2", 3", 4"	1,781.00
ZN511	D.C.C.I. Body Assembly with Polished Nickel Bronze Top	2", 3", 4"	1,864.00

OUTLETS (SPECIFY PIPE SIZE IN INCHES AND TYPE OF OUTLET)				
OUTLET TYPE		PIPE SIZE/ OUTLET TYPE	E BODY HT. DIM.	ADD
IC	Inside Caulk	3IC, 4IC	7-5/8"	N/C
IG	Inside Gasket	3IG, 4IG	7-5/8"	N/C
NL	Neo-Loc	2NL, 3NL, 4NL	6-7/8"	N/C
IP	Threaded	3IP, 4IP	7-5/8"	N/C

SUFFIXES		ADD
-AR	Acid Resisting Epoxy Coated Finish	949.00
-BT	Bell Trap	194.00
-DG	Duresist Grate	194.00
-F	Extension Frame - Per Inch (Specify Height)	98.00
-G	Galvanized Cast Iron	561.00
-HP	Heel-Proof Grate	N/C
-J	Auxiliary Inlet Connection (Specify 1-1/2" or 2" IP, Number and Location)	345.00
-P	Trap Primer Connection	150.00
-S	Secondary Strainer	58.00
-SC	Solid Cover w/ Lift Handle	483.00
-SG	Solid Gasketed Cover	580.00
-TC	Neo-Loc Test Cap Gasket (2", 3", 4" NL Bottom Outlet Only)	24.00
-TS	Top Secured with Slotted Screws	129.00
-TSP	Trap Seal Protection Device (Size Matches Drain Outlet Selected, See Z1072)	POA
-V	Backwater Valve-Ball Float Type (Not Available with -Y)	615.00
-VP	Vandal-Proof Secured Top	149.00
-W	Winter Closure Plug (3IC, 4IC, 3IP, 4IP & 3IG Connections Only)	615.00
-Y	Sediment Bucket (Not Available with -V)	194.00

BEST SELLERS	LIST PRICE
Z511-4NL	1,358.00
Z511-4NL-P-TC-Y	1,726.00
Z511-4NL-P-Y	1,702.00
Z511-4NL-Y	1,552.00
ZN511-4NL-AR-P-S-Y	3,215.00

\*Regularly furnished unless otherwise specified.

Items designated as Best Sellers are most specified and are generally in stock for shipment.

⌚ This symbol denotes a product that is engineered to reduce installation and rework time.

For additional product information, please visit [www.zurn.com](http://www.zurn.com)

INTRO ROOF DRAINS FLOOR DRAINS T, P, BW VALVES INTERCEPTORS CARRIERS HYDRANTS CLEANOUTS W/HA SS DRAINS FAB SS DRAINS SANI-FLOOR TECH INFO

## Z512 12-1/4" HEAVY-DUTY DRAIN



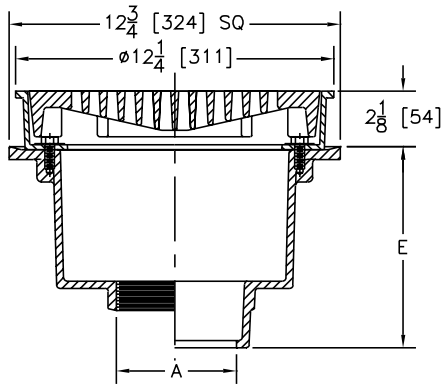
### ENGINEERING SPECIFICATION

Zurn Z512 12-1/4" diameter top drain features Dura-Coated cast iron deep sump body with bottom outlet, seepage pan, and combination flashing clamp and frame for heavy-duty tractor grate.

### NOTES

\*Add 3/16" to 2-1/8" dimension and 3/4" to 12-1/4" dimension for ZB and ZN

A Pipe Size inch [mm]	Grate Open Area sq in [cm <sup>2</sup> ]	Approximate Weight lb [kg]
3 [76], 4 [102], 6 [152]	30 [194]	44 [20]



PREFIXES	DESCRIPTION	PIPE SIZE	LIST PRICE
Z512*	D.C.C.I. Body and Top	3", 4", 6"	1,391.00
ZB512	D.C.C.I. Body Assembly with Polished Bronze Top	3", 4", 6"	2,023.00
ZN512	D.C.C.I. Body Assembly with Polished Nickel Bronze Top	3", 4", 6"	2,111.00

OUTLETS (SPECIFY PIPE SIZE IN INCHES AND TYPE OF OUTLET)				
OUTLET TYPE		PIPE SIZE/ OUTLET TYPE	E BODY HT. DIM.	ADD
IC	Inside Caulk	4IC, 6IC	7-3/4"	N/C
IG	Inside Gasket	4IG, 6IG	7-3/4"	N/C
IP	Threaded	4IP, 6IP	6-5/16"	80.00
NL	Neo-Loc	3NL, 4NL	7-1/4"	N/C
NH	No-Hub	3NH, 4NH, 6NH	7-13/16"	N/C
SUFFIXES				ADD
-AR	Acid Resistant Epoxy Coated Cast Iron			774.00
-DG	Duresist Grate			261.00
-G	Galvanized Cast Iron			623.00
-S	Secondary Strainer			62.00
-SS	Stainless Mesh Liner for Bucket			417.00
-T	Square Top		Z	343.00
			ZB	433.00
			ZN	489.00
Ⓢ -TC	Neo-Loc Test Cap Gasket (3", 4" NL Bottom Outlet Only)			24.00
-TS	Top Secured with Slotted Screws			129.00
-VP	Vandal-Proof Secured Top			149.00
-Y	Sediment Bucket			326.00
BEST SELLERS				LIST PRICE
Z512-4NH-Y				1,717.00
Z512-4NL-Y				1,717.00



# Z513 9" SQUARE HINGED HEAVY-DUTY DRAIN



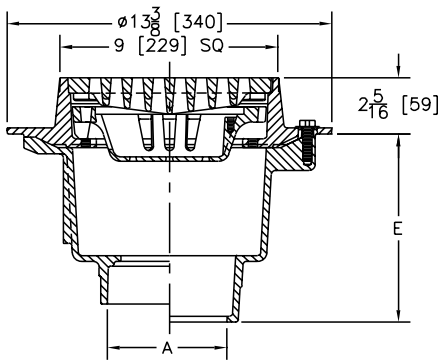
## ENGINEERING SPECIFICATION

Zurn Z513 9" square top drain features Dura-Coated cast iron deep sump body with bottom outlet, seepage pan and combination membrane flashing clamp and frame for hinged, heavy-duty, slotted grate with suspended sediment bucket.

## NOTES

†Add 3/16" to 2-5-/16" dimension and 3/4" to 9" dimension for ZB and ZN

A Pipe Size inch [mm]	Grate Open Area sq in [cm <sup>2</sup> ]	Approximate Weight lb [kg]
3 [76], 4 [102]	20 [129]	57 [26]



PREFIXES	DESCRIPTION	PIPE SIZE	LIST PRICE
<b>Z513*</b>	D.C.C.I. Body and Top	3", 4"	<b>1,917.00</b>
<b>ZB513</b>	D.C.C.I. Body Assembly with Polished Bronze Top	3", 4"	<b>2,651.00</b>
<b>ZN513</b>	D.C.C.I. Body Assembly with Polished Nickel Bronze Top	3", 4"	<b>2,849.00</b>

OUTLETS (SPECIFY PIPE SIZE IN INCHES AND TYPE OF OUTLET)			
OUTLET TYPE	PIPE SIZE/ OUTLET TYPE	E BODY HT. DIM.	ADD
<b>NL</b>	Neo-Loc	3NL, 4NL	6-5/8" <b>N/C</b>

SUFFIXES			ADD
<b>-AR</b>	Acid Resisting Epoxy Coated Cast Iron		<b>732.00</b>
<b>-G</b>	Galvanized Cast Iron		<b>501.00</b>
<b>-HL</b>	Hinged Locking Grate		<b>314.00</b>
<b>-P</b>	Trap Primer Connection		<b>150.00</b>
<b>-SS</b>	Stainless Steel Mesh Liner for Bucket		<b>206.00</b>
<b>-TC</b>	Neo-Loc Test Cap Gasket (3", 4" NL Bottom Outlet Only)		<b>24.00</b>
<b>-VP</b>	Vandal-Proof Secured Top		<b>149.00</b>

BEST SELLERS		LIST PRICE
ZN513-3NL		<b>2,849.00</b>
ZN513-3NL-P		<b>2,999.00</b>
Z513-4NL		<b>1,917.00</b>
ZB513-4NL-AR-HL-SS		<b>3,903.00</b>

\*Regularly furnished unless otherwise specified.

Items designated as Best Sellers are most specified and are generally in stock for shipment.

⌚ This symbol denotes a product that is engineered to reduce installation and rework time.

For additional product information, please visit [www.zurn.com](http://www.zurn.com)

INTRO ROOF DRAINS FLOOR DRAINS T, P, BW VALVES INTERCEPTORS CARRIERS HYDRANTS CLEANOUTS W/HA SS DRAINS FAB SS DRAINS SAN-FIOR TECH INFO

# Z520 9" ADJUSTABLE HEAVY-DUTY DRAIN



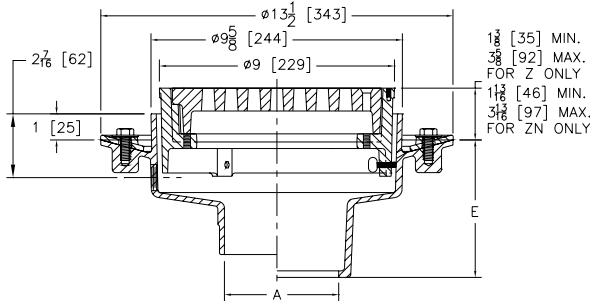
## ENGINEERING SPECIFICATION

Zurn Z520 9" diameter top drain features Dura-Coated cast iron body with bottom outlet, seepage pan with clamping collar, and adjustable extension frame with heavy-duty, cast iron, deep flange, slotted grate.

## NOTES

†Add 5/8" to 9" dimension for ZN

A Pipe Size inch [mm]	Grate Open Area sq in [cm <sup>2</sup> ]	Approximate Weight lb [kg]
2 [51], 3 [76], 4 [102]	18 [116]	39 [18]
6 [152]		44 [20]



PREFIXES	DESCRIPTION	PIPE SIZE	LIST PRICE
Z520*	D.C.C.I. Body and Top	2", 3", 4"	827.00
		6"	1,138.00
ZN520	D.C.C.I. Body with Polished Nickel Bronze Top	2", 3", 4"	1,328.00
		6"	1,638.00

OUTLETS (SPECIFY PIPE SIZE IN INCHES AND TYPE OF OUTLET)				
OUTLET TYPE		PIPE SIZE/OUTLET TYPE	E BODY HT. DIM.	ADD
IP	Threaded	2IP, 3IP, 4IP	3-1/2"	80.00
NH	No-Hub	2NH, 3NH, 4NH, 6NH	4-1/4"	N/C
NL	Neo-Loc	2NL, 3NL, 4NL	4-3/8"	N/C

SUFFIXES			ADD
-C	Clamp Collar		N/C
-DG	Duresist Grate		194.00
-F	Extension Frame - 3-1/4" Min., 5-1/2" Max. Per Ext. (Specify Height Required)		148.00
-G	Galvanized Cast Iron		433.00
-HP	Heel-Proof Grate		N/C
-P	Trap Primer Connection		150.00
-S	Secondary Strainer		47.00
-SS	Stainless Mesh Liner for Bucket		244.00
-T	Square Top	Z	325.00
		ZN	404.00

⊖ -TC	Neo-Loc Test Cap Gasket (2", 3", 4" NL Bottom Outlet Only)	24.00
-TS	Top Secured with Slotted Screws	129.00
-TSP	Trap Seal Protection Device (Size Matches Drain Outlet Selected, See Z1072)	POA
-V	Backwater Valve (See Z1099)	-
-VP	Vandal-Proof Secured Top	149.00
-Y	Sediment Bucket	140.00
-90	90° Side Outlet Body Assembly (See Z1042, IP x NH Only)	-

BEST SELLERS	LIST PRICE
Z520-3NH-Y	967.00
Z520-3NL	827.00
Z520-4NH	827.00
Z520-4NH-Y	967.00
Z520-4NL	827.00
Z520-4NL-G-VP	1,409.00
Z520-4NL-P	977.00
Z520-4NL-VP	976.00
Z520-4NL-Y	967.00

## Z521 12" DIAMETER ADJUSTABLE HEAVY-DUTY DRAIN



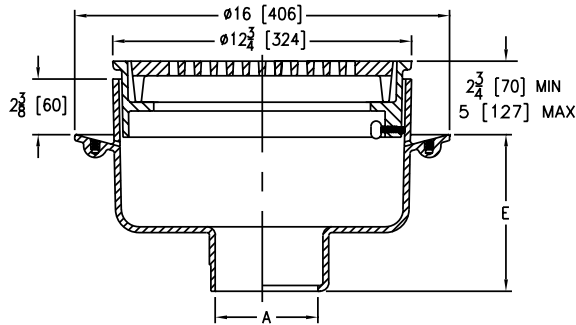
### ENGINEERING SPECIFICATION

Zurn Z521 12" diameter top drain features Dura-Coated cast iron body with bottom outlet, seepage pan, and adjustable extension frame with heavy-duty tractor grate.

### NOTES

†Add 3/16" to 2-3/4" through 5" dimension for ZN

A Pipe Size inch [mm]	Grate Open Area sq in [cm <sup>2</sup> ]	Approximate Weight lb [kg]
3 [76], 4 [102], 6 [152]	30 [194]	60 [27]



PREFIXES	DESCRIPTION	PIPE SIZE	LIST PRICE
Z521*	D.C.C.I. Body and Top	2", 3", 4", 6"	1,977.00
ZN521	D.C.C.I. Body with Polished Nickel Bronze Top	2", 3", 4", 6"	2,679.00

OUTLETS (SPECIFY PIPE SIZE IN INCHES AND TYPE OF OUTLET)			
OUTLET TYPE	PIPE SIZE/OUTLET TYPE	E BODY HT. DIM.	ADD
IC	Inside Caulk	3IC, 4IC, 6IC	6-5/8" N/C
IG	Inside Gasket	3IG, 4IG, 6IG	6-5/8" N/C
IP	Threaded	4IP, 6IP	5-1/4" 80.00
NL	Neo-Loc	4NL	5-7/8" N/C

SUFFIXES			
SUFFIXES	DESCRIPTION	ADD	
-C	Clamp Collar	N/C	
-DG	Duresist Grate	257.00	
-G	Galvanized Cast Iron	729.00	
-S	Secondary Strainer	62.00	
-T	Square Top	Z 344.00 ZN 488.00	
-TC	Neo-Loc Test Cap Gasket (2", 3", 4" NL Bottom Outlet Only)	24.00	
-TS	Top Secured with Slotted Screws	129.00	
-V	Backwater Valve (Not Available with -Y) (See Z1099)	-	
-VP	Vandal-Proof Secured Top	149.00	
-Y	Sediment Bucket (Not Available with -V)	242.00	

BEST SELLERS		LIST PRICE
Z521-3NH-DG-Y		2,476.00
Z521-4IC		1,977.00
Z521-4NH		1,977.00

\*Regularly furnished unless otherwise specified.

Items designated as Best Sellers are most specified and are generally in stock for shipment.

⌚ This symbol denotes a product that is engineered to reduce installation and rework time.

For additional product information, please visit [www.zurn.com](http://www.zurn.com)

## Z526 12" ADJUSTABLE HEAVY-DUTY DRAIN



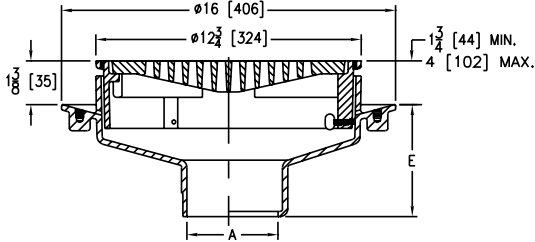
### ENGINEERING SPECIFICATION

Zurn Z526 12" diameter top drain features Dura-Coated cast iron body with bottom outlet, seepage pan, adjustable extension frame, and heavy-duty slotted grate.

### NOTES

†Add 3/16" to 1-3/4" through 4" dimension for ZN

A Pipe Size inch [mm]	Grate Open Area sq in [cm <sup>2</sup> ]	Approximate Weight lb [kg]
3 [76], 4 [102], 6 [152]	30 [194]	52 [24]



PREFIXES	DESCRIPTION	PIPE SIZE	LIST PRICE
Z526*	D.C.C.I. Body and Top	3", 4", 6"	1,471.00
ZN526	D.C.C.I. Body with Polished Nickel Bronze Top	3", 4", 6"	2,184.00
OUTLETS (SPECIFY PIPE SIZE IN INCHES AND TYPE OF OUTLET)			
OUTLET TYPE	PIPE SIZE/OUTLET TYPE	E BODY HT. DIM.	ADD
IC	Inside Caulk	3IC, 4IC, 6IC	5-3/8" N/C
IG	Inside Gasket	4IG, 6IG	5-3/8" N/C
IP	Threaded	4IP, 6IP	3-3/4" 80.00
NL	Neo-Loc	4NL	4-5/8" N/C
SUFFIXES	ADD		
-C	Clamp Collar		N/C
-DG	Duresist Grate		292.00
-G	Galvanized Cast Iron		645.00
-HP	Heel-Proof Grate		N/C
-S	Secondary Strainer		62.00
-T	Square Top	Z	344.00
		ZN	488.00
Ⓢ -TC	Neo-Loc Test Cap Gasket (2", 3", 4" NL Bottom Outlet Only)		24.00
-TS	Top Secured with Slotted Screws		129.00
-V	Backwater Valve (See Z1099)		-
-VP	Vandal-Proof Secured Top		149.00
-90	90° Side Outlet Body Assembly (See Z1042)		-
SEE LEGACY ADDENDUM ON PAGE 369 FOR MORE INFORMATION			

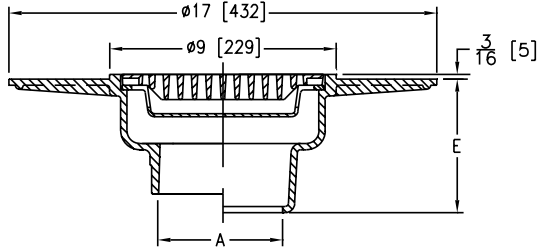
## Z530 9" MEDIUM-DUTY WIDE FLANGE DECK DRAIN



### ENGINEERING SPECIFICATION

Zurn Z530 9" diameter wide flange deck drain for latex decks features Dura-Coated cast iron body with latex troweling flange, flat heel-proof, medium-duty grate, and suspended sediment bucket.

A Pipe Size inch [mm]	Grate Open Area sq in [cm <sup>2</sup> ]	Approximate Weight lb [kg]
2 [51], 3 [76], 4 [102]	18 [116]	49 [22]



PREFIXES	DESCRIPTION	PIPE SIZE	LIST PRICE	
<b>Z530*</b>	D.C.C.I. Body and Top	2", 3", 4"	<b>864.00</b>	
OUTLETS (SPECIFY PIPE SIZE IN INCHES AND TYPE OF OUTLET)				
OUTLET TYPE	PIPE SIZE/OUTLET TYPE	E BODY HT. DIM.	ADD	
IC	Inside Caulk	2IC, 3IC, 4IC	5-1/2"	N/C
IP	Threaded	2IP, 3IP, 4IP	4"	<b>80.00</b>
NL	Neo-Loc	2NL, 3NL, 4NL	4-3/4"	N/C
SUFFIXES			ADD	
-AR	Acid Resisting Epoxy Coated Cast Iron		<b>764.00</b>	
-C	Underdeck Clamp		<b>228.00</b>	
-DG	Duresist Grate		<b>217.00</b>	
-G	Galvanized Cast Iron		<b>678.00</b>	
Ⓢ -TC	Neo-Loc Test Cap Gasket (2", 3", 4" NL Bottom Outlet Only)		<b>24.00</b>	
-TS	Top Secured with Slotted Screws		<b>129.00</b>	
-VP	Vandal-Proof Secured Top		<b>149.00</b>	
-XJ	Expansion Joint (Use with IP Type Outlet) (See Z190)		-	
BEST SELLERS			LIST PRICE	
Z530-3NH			<b>864.00</b>	
Z530-3NL			<b>864.00</b>	

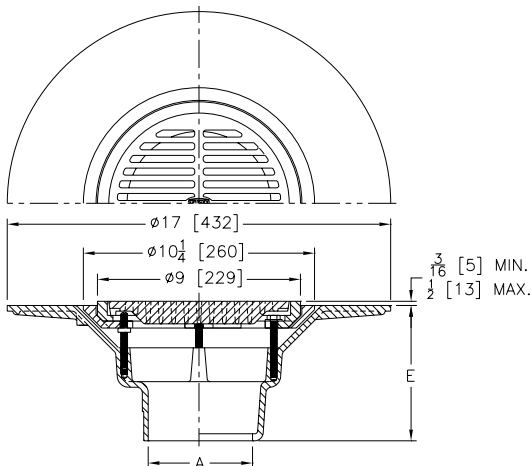
## Z531 9" ADJUSTABLE FRAME WIDE FLANGE MEDIUM-DUTY DECK DRAIN



### ENGINEERING SPECIFICATION

Zurn Z531 9" diameter adjustable frame wide flange deck drain features Dura-Coated cast iron body with 10-1/4" diameter latex troweling flange and combination adjustable latex troweling-edge-form and membrane flashing clamp with flat medium-duty grate.

A Pipe Size inch [mm]	Grate Open Area sq in [cm <sup>2</sup> ]	Approximate Weight lb [kg]
2 [51], 3 [76], 4 [102]	18 [116]	54 [24]



PREFIXES	DESCRIPTION	PIPE SIZE	LIST PRICE	
<b>Z531*</b>	D.C.C.I. Body and Top	2", 3", 4"	<b>1,396.00</b>	
<b>ZN531</b>	D.C.C.I. Body with Polished Nickel Bronze Top	2", 3", 4"	<b>1,896.00</b>	
OUTLETS (SPECIFY PIPE SIZE IN INCHES AND TYPE OF OUTLET)				
OUTLET TYPE	PIPE SIZE/OUTLET TYPE	E BODY HT. DIM.	ADD	
IC	Inside Caulk	2IC, 3IC, 4IC	6"	N/C
IP	Threaded	2IP, 3IP, 4IP	4-1/2"	<b>80.00</b>
NH	No-Hub	2NH, 3NH, 4NH	6"	N/C
NL	Neo-Loc	2NL, 3NL, 4NL	5-3/8"	N/C
SUFFIXES			ADD	
-C	Underdeck Clamp		<b>165.00</b>	
-DG	Duresist Grate		<b>171.00</b>	
-G	Galvanized Cast Iron		<b>703.00</b>	
-S	Secondary Strainer		<b>47.00</b>	
Ⓢ -TC	Neo-Loc Test Cap Gasket (2", 3", 4" NL Bottom Outlet Only)		<b>24.00</b>	
-TS	Top Secured with Slotted Screws		<b>129.00</b>	
-VP	Vandal-Proof Secured Top		<b>149.00</b>	
-Y	Sediment Bucket		<b>140.00</b>	
BEST SELLERS			LIST PRICE	
Z531-3NH			<b>1,396.00</b>	
ZN531-3NH-TS			<b>2,025.00</b>	
Z531-4NH			<b>1,396.00</b>	

\*Regularly furnished unless otherwise specified.

Items designated as Best Sellers are most specified and are generally in stock for shipment.

Ⓢ This symbol denotes a product that is engineered to reduce installation and rework time.

For additional product information, please visit [www.zurn.com](http://www.zurn.com)

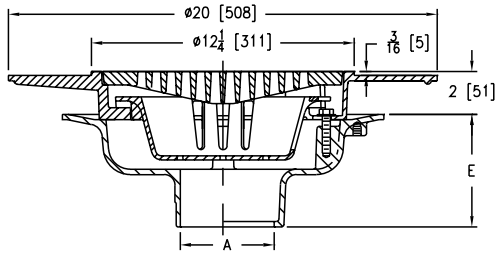
## Z532 12-1/4" DIAMETER WIDE FLANGE HEAVY-DUTY FLOOR DRAIN



### ENGINEERING SPECIFICATION

Zurn Z532 12-1/4" diameter wide flange floor drain features Dura-Coated cast iron body with bottom outlet, seepage pan, combination membrane flashing clamp, and frame with latex troweling flange, heavy-duty slotted grate, and suspended sediment bucket.

A Pipe Size inch [mm]	Grate Open Area sq in [cm <sup>2</sup> ]	Approximate Weight lb [kg]
2 [51], 3 [76], 4 [102], 6 [152]	30 [194]	54 [24]



PREFIXES	DESCRIPTION	PIPE SIZE	LIST PRICE
Z532*	D.C.C.I. Body and Top	2", 3", 4", 6"	2,011.00
ZN532	D.C.C.I. Body with Polished Nickel Bronze Top	2", 3", 4", 6"	2,728.00

OUTLETS (SPECIFY PIPE SIZE IN INCHES AND TYPE OF OUTLET)			
OUTLET TYPE	PIPE SIZE/OUTLET TYPE	E BODY HT. DIM.	ADD
IC	Inside Caulk	3IC, 4IC, 6IC	5-1/4" N/C
IG	Inside Gasket	3IG, 4IG, 6IG	5-1/4" N/C
NH	No-Hub	2NH, 3NH, 4NH, 6NH	5-1/4" N/C
NL	Neo-Loc	2NL, 3NL, 4NL	4-1/2" N/C

SUFFIXES			ADD
-AR	Acid Resistant Epoxy Coating		1,226.00
-DG	Duresist Grate		257.00
-G	Galvanized Cast Iron		910.00
-HP	Heel-Proof Grate		N/C
-TC	Neo-Loc Test Cap Gasket (2", 3", 4" NL Bottom Outlet Only)		24.00
-TS	Top Secured with Slotted Screws		129.00
-VP	Vandal-Proof Secured Top		149.00

BEST SELLERS		LIST PRICE
Z532-3NH		2,011.00
Z532-4NH		2,011.00

## Z533 9" DIAMETER HEAVY-DUTY PARKING DECK DRAIN WITH SUPPORT FLANGE



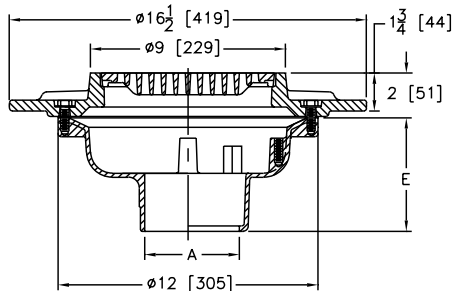
### ENGINEERING SPECIFICATION

Zurn Z533 9" diameter parking deck drain features Dura-Coated cast iron body with bottom outlet, heavy-duty, gasketed drain support flange with heavy-duty Duresist, slotted grate.

### NOTES

†Add 3/16" to 2" dimension for ZB and ZN

A Pipe Size inch [mm]	Grate Open Area sq in [cm <sup>2</sup> ]	Approximate Weight lb [kg]
3 [76], 4 [102]	16 [103]	48 [22]



PREFIXES	DESCRIPTION	PIPE SIZE	LIST PRICE
Z533*	D.C.C.I. Body and Top	3", 4"	1,213.00
ZB533	D.C.C.I. Body with Polished Bronze Top	3", 4"	1,648.00
ZN533	D.C.C.I. Body with Polished Nickel Bronze Top	3", 4"	1,754.00

OUTLETS (SPECIFY PIPE SIZE IN INCHES AND TYPE OF OUTLET)			
OUTLET TYPE	PIPE SIZE/OUTLET TYPE	E BODY HT. DIM.	ADD
NH	No-Hub	3NH, 4NH	5-1/4" N/C
NL	Neo-Loc	3NL, 4NL	4-9/16" N/C

SUFFIXES			ADD
-C	Underdeck Clamp		150.00
-G	Galvanized Cast Iron		742.00
-TS	Top Secured with Slotted Screws		129.00
-VP	Vandal-Proof Secured Top		149.00
-Y	Sediment Bucket		140.00

BEST SELLERS		LIST PRICE
Z533-3NH		1,213.00
Z533-3NL		1,213.00
Z533-4NH		1,213.00
Z533-4NH-C		1,363.00
Z533-4NH-C-VP		1,512.00
Z533-4NH-VP		1,362.00
Z533-4NL		1,213.00

## Z534 12-1/4" DIAMETER HEAVY-DUTY PARKING DECK DRAIN WITH SUPPORT FLANGE



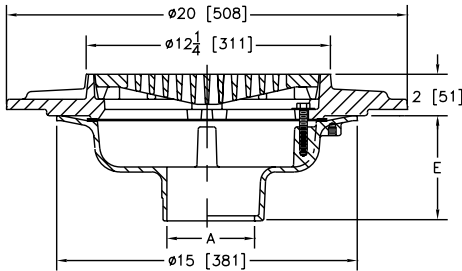
### ENGINEERING SPECIFICATION

Zurn Z534 12-1/4" diameter parking deck drain features Dura-Coated cast iron body with bottom outlet, heavy-duty, gasketed drain support flange with heavy-duty, slotted grate.

### NOTES

†Add 3/16" to 2" dimension and 3/4" to 12-1/4" dimension for ZB and ZN

A Pipe Size inch [mm]	Grate Open Area sq in [cm <sup>2</sup> ]	Approximate Weight lb [kg]
2 [51], 3 [76], 4 [102], 6 [152]	30 [194]	78 [35]
8 [203]		80 [36]



BEST SELLERS	LIST PRICE
ZB534-3NH-HP-VP	3,748.00
Z534-4NH	2,522.00
Z534-4NH-C	2,766.00
Z534-4NH-C-HP-TS	2,895.00
Z534-4NH-C-HP-Y	2,972.00
Z534-4NH-C-Y	2,972.00
Z534-4NH-HP-SA-Y	2,836.00
Z534-4NH-HP-TS-Y	2,857.00
Z534-4NH-HP-Y	2,728.00
Z534-4NH-VP	2,671.00

PREFIXES	DESCRIPTION	PIPE SIZE	LIST PRICE
Z534*	D.C.C.I. Body and Top	2", 3", 4", 6"	2,522.00
		8"	2,823.00
ZB534	D.C.C.I. Body with Polished Bronze Top	2", 3", 4", 6" 8"	3,599.00 3,900.00
ZN534	D.C.C.I. Body with Polished Nickel Bronze Top	2", 3", 4", 6" 8"	3,824.00 4,131.00

OUTLETS (SPECIFY PIPE SIZE IN INCHES AND TYPE OF OUTLET)				
OUTLET TYPE		PIPE SIZE/OUTLET TYPE	E BODY HT. DIM.	ADD
IC	Inside Caulk	3IC, 4IC, 6IC	5-1/4"	N/C
IG	Inside Gasket	3IG, 4IG, 6IG	5-1/4"	N/C
IP	Threaded	2IP, 3IP, 4IP, 6IP, 8IP	3-3/4"	80.00
NH	No-Hub	2NH, 3NH, 4NH, 6NH, 8NH	5-1/4"	N/C
NL	Neo-Loc	2NL, 3NL, 4NL	4-5/8"	N/C

SUFFIXES		ADD
-C	Underdeck Clamp	244.00
-G	Galvanized Cast Iron	1,093.00
-HP	Heel-Proof Grate	N/C
-SA	Stabilizer Assembly (See Z1036)	148.00
-TC	Neo-Loc Test Cap Gasket (2", 3", 4" NL Bottom Outlet Only)	24.00
-TS	Top Secured with Slotted Screws	129.00
-VP	Vandal-Proof Secured Top	149.00
-XJ	Expansion Joint (Use with IP Type Outlet) (See Z190)	-
-Y	Sediment Bucket	206.00

BEST SELLERS	LIST PRICE
Z534-4NL	2,522.00
Z534-4NL-C	2,766.00
ZN534-4NL	3,824.00
Z534-6NH	2,522.00
Z534-6NH-HP-TS	2,651.00
Z534-6NH-VP-Y	2,877.00
Z534-8NH	2,823.00

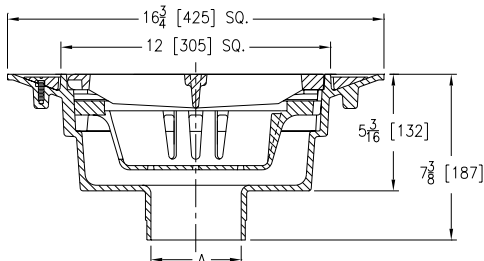
## Z535 HEAVY-DUTY PARKING STRUCTURE DRAIN



### ENGINEERING SPECIFICATION

Zurn Z535 square top, heavy-duty drain features oven-cured acid resistant epoxy-coated aluminum or cast iron body with bottom outlet, top membrane clamping collar, anti-ponding slots, sediment bucket and heavy-duty, anti-tilt, hinged, slotted grate with stainless steel hinge pins.

A Pipe Size inch [mm]	Grate Open Area sq in [cm <sup>2</sup> ]	Approximate Weight lb [kg]
3 [76], 4 [102], 6 [152], 8 [203]	56 [361]	29 [13] for aluminum, 75 [34] for cast iron



PREFIXES	DESCRIPTION	PIPE SIZE	LIST PRICE
Z535*	A.R.C. Aluminum Body and Top	3", 4", 6", 8"	3,843.00
ZC535	D.C.C.I. Body and Top	3", 4", 6", 8"	3,843.00

OUTLETS (SPECIFY PIPE SIZE IN INCHES AND TYPE OF OUTLET)			
OUTLET TYPE	PIPE SIZE/OUTLET TYPE	ADD	
NH	No-Hub	3NH, 4NH, 6NH, 8NH	N/C

SUFFIXES		ADD
-CI	Cast Iron Grate	462.00
-L	Locking Device	138.00

BEST SELLERS	LIST PRICE
Z535-3NH	3,843.00
Z535-4NH	3,843.00
Z535-6NH	3,843.00

\*Regularly furnished unless otherwise specified.

Items designated as Best Sellers are most specified and are generally in stock for shipment.

⌚ This symbol denotes a product that is engineered to reduce installation and rework time.

For additional product information, please visit [www.zurn.com](http://www.zurn.com)

## Z536 15-3/8" DIAMETER HEAVY-DUTY PARKING DECK DRAIN WITH SUPPORT FLANGE



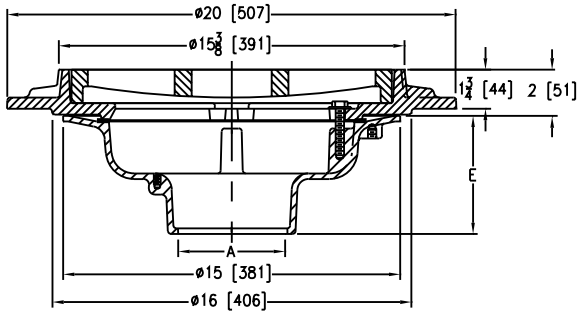
### ENGINEERING SPECIFICATION

Zurn Z536 15-3/8" diameter parking deck drain features Dura-Coated cast iron body with bottom outlet, heavy-duty, gasketed drain support flange with heavy-duty, slotted grate.

### NOTES

†Add 3/16" to 2" dimension for ZN

A Pipe Size inch [mm]	Grate Open Area sq in [cm <sup>2</sup> ]	Approximate Weight lb [kg]
3 [76], 4 [102], 6 [152]	56 [361]	95 [43]
8 [203]		97 [44]



PREFIXES	DESCRIPTION	PIPE SIZE	LIST PRICE
<b>Z536*</b>	D.C.C.I. Body and Top	3", 4", 6"	<b>3,145.00</b>
		8"	<b>3,525.00</b>
<b>ZN536</b>	D.C.C.I. Body with Polished Nickel Bronze Top	3", 4", 6"	<b>4,046.00</b>
		8"	<b>4,425.00</b>

### OUTLETS (SPECIFY PIPE SIZE IN INCHES AND TYPE OF OUTLET)

OUTLET TYPE	PIPE SIZE/OUTLET TYPE	E BODY HT. DIM.	ADD
<b>IP</b>	Threaded	4IP	<b>80.00</b>
<b>NH</b>	No-Hub	3NH, 4NH, 6NH, 8NH	<b>N/C</b>
<b>NL</b>	Neo-Loc	3NL, 4NL	<b>N/C</b>

### SUFFIXES

SUFFIXES	ADD
<b>-C</b>	Underdeck Clamp <b>244.00</b>
<b>-DG</b>	Duresist Grate <b>1,202.00</b>
<b>-G</b>	Galvanized Cast Iron <b>1,093.00</b>
<b>-VP</b>	Vandal-Proof Secured Top <b>149.00</b>
<b>-Y</b>	Sediment Bucket <b>314.00</b>

### BEST SELLERS

BEST SELLERS	LIST PRICE
Z536-3NL-C	<b>3,389.00</b>
Z536-4NH	<b>3,145.00</b>
Z536-4NH-C-VP-Y	<b>3,852.00</b>
Z536-4NH-VP-Y	<b>3,608.00</b>
Z536-4NH-Y	<b>3,459.00</b>
Z536-4NL	<b>3,145.00</b>
Z536-4NL-G	<b>4,238.00</b>
Z536-4NL-Y	<b>3,459.00</b>
Z536-6NH	<b>3,145.00</b>
Z536-6NH-G-VP	<b>4,387.00</b>
Z536-6NH-VP	<b>3,294.00</b>
Z536-6NH-Y	<b>3,459.00</b>
Z536-6NL-G-VP	<b>4,387.00</b>
Z536-8NH	<b>3,525.00</b>
Z536-8NH-Y	<b>3,839.00</b>



## Z537 15-7/8" SQUARE TOP HEAVY-DUTY PARKING DECK DRAIN WITH SUPPORT FLANGE



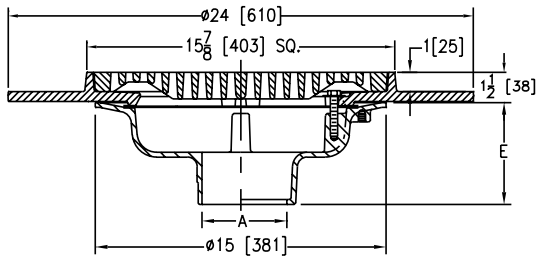
### ENGINEERING SPECIFICATION

Zurn Z537 15-7/8" square top parking deck drain features Dura-Coated cast iron body with bottom outlet, heavy-duty, gasketed drain support flange with heavy-duty, slotted ductile iron grate.

### NOTES

†Add 3/16" to 1-1/2" dimension for ZN

A Pipe Size inch [mm]	Grate Open Area sq in [cm <sup>2</sup> ]	Approximate Weight lb [kg]
2 [51], 3 [76], 4 [102], 6 [152]	79 [510]	122 [55]
8 [203]		124 [56]



BEST SELLERS	LIST PRICE
Z537-3NH	3,308.00
Z537-3NH-C	3,552.00
Z537-4NH	3,308.00
Z537-4NH-C	3,552.00
Z537-4NH-C-VP-Y	4,015.00

PREFIXES	DESCRIPTION	PIPE SIZE	LIST PRICE
Z537*	D.C.C.I. Body and Top	2", 3", 4", 6"	3,308.00
		8"	3,683.00
ZN537	D.C.C.I. Body with Polished Nickel Bronze Top	2", 3", 4", 6"	4,046.00
		8"	4,425.00

OUTLETS (SPECIFY PIPE SIZE IN INCHES AND TYPE OF OUTLET)			
OUTLET TYPE	PIPE SIZE/OUTLET TYPE	E BODY HT. DIM.	ADD
IP	Threaded	3IP, 4IP, 6IP, 8IP	3-3/4" 80.00
NH	No-Hub	3NH, 4NH, 6NH, 8NH	5-1/4" N/C
NL	Neo-Loc	2NL, 3NL, 4NL	4-5/8" N/C
SUFFIXES			ADD
-C	Underdeck Clamp		244.00
-G	Galvanized Cast Iron		1,093.00
-VP	Vandal-Proof Secured Top		149.00
-Y	Sediment Bucket		314.00

BEST SELLERS	LIST PRICE
Z537-4NH-VP	3,457.00
Z537-4NH-VP-Y	3,771.00
Z537-4NH-Y	3,622.00
Z537-4NL	3,308.00
Z537-6NH	3,308.00
Z537-6NH-C	3,552.00
Z537-6NH-C-G-VP-Y	5,108.00
Z537-6NH-C-VP-Y	4,015.00
Z537-6NH-C-Y	3,866.00
Z537-6NL	3,308.00
Z537-8NH	3,683.00

## Z539 12-1/4" HEAVY-DUTY DRAIN WITH DEEP SUMP



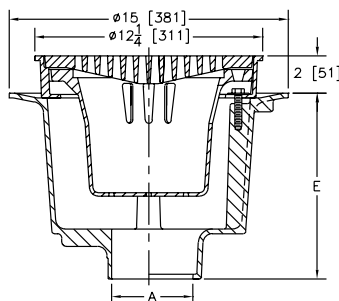
### ENGINEERING SPECIFICATION

Zurn Z539 12-1/4" diameter top drain features Dura-Coated cast iron deep sump body with bottom outlet, seepage pan, and combination membrane flashing clamp and frame for sediment bucket and heavy-duty, slotted grate.

### NOTES

†Add 3/16" to 2" dimension and 3/4" to 12-1/4" dimension for ZN

A Pipe Size inch [mm]	Grate Open Area sq in [cm <sup>2</sup> ]	Approximate Weight lb [kg]
3 [76], 4 [102], 6 [152]	30 [194]	68 [31]
8 [203]		



PREFIXES	DESCRIPTION	PIPE SIZE	LIST PRICE
Z539*	D.C.C.I. Body and Top	3", 4", 6"	1,781.00
		8"	2,079.00
ZN539	D.C.C.I. Body with Polished Nickel Bronze Top	3", 4", 6"	2,561.00
		8"	2,857.00

OUTLETS (SPECIFY PIPE SIZE IN INCHES AND TYPE OF OUTLET)			
OUTLET TYPE	PIPE SIZE/OUTLET TYPE	E BODY HT. DIM.	ADD
NH	No-Hub	3NH, 4NH, 6NH, 8NH	10" N/C
NL	Neo-Loc	3NL, 4NL	9-5/16" N/C
SUFFIXES			ADD
-G	Galvanized Cast Iron		1,212.00
-HP	Heel-Proof Grate		N/C
-SS	Stainless Steel Mesh Liner for Bucket		412.00
-T	Square Top	Z	344.00
		ZN	489.00
-TC	Neo-Loc Test Cap Gasket (3", 4" NL Bottom Outlet Only)		24.00
-TS	Top Secured with Slotted Screws		129.00
-VP	Vandal-Proof Secured Top		149.00
-YF	Free Standing Bucket		N/C

BEST SELLERS	LIST PRICE
Z539-4NH	1,781.00
ZN539-4NH-T	3,050.00

\*Regularly furnished unless otherwise specified.

Items designated as Best Sellers are most specified and are generally in stock for shipment.

⌚ This symbol denotes a product that is engineered to reduce installation and rework time.

For additional product information, please visit [www.zurn.com](http://www.zurn.com)

## Z540 12-1/4" MEDIUM-DUTY DRAIN WITH SUR-SET BUCKET



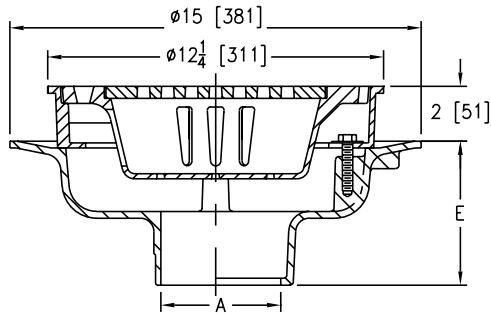
### ENGINEERING SPECIFICATION

Zurn Z540 12-1/4" diameter top drain features Dura-Coated cast iron body with bottom outlet, seepage pan, and combination membrane flashing clamp and frame for Sur-Set bucket and medium-duty, slotted grate.

### NOTES

†Add 3/16" to 2" dimension and 3/4" to 12-1/4" dimension for ZN

A Pipe Size inch [mm]	Grate Open Area sq in [cm <sup>2</sup> ]	Approximate Weight lb [kg]
2 [51], 3 [76], 4 [102]	18 [116]	44 [20]
6 [152]		45 [20]
8 [203]		46 [21]



PREFIXES	DESCRIPTION	PIPE SIZE	LIST PRICE
<b>Z540*</b>	D.C.C.I. Body and Top	2", 3", 4", 6"	1,501.00
		8"	1,808.00
<b>ZN540</b>	D.C.C.I. Body with Polished Nickel Bronze Top	2", 3", 4", 6"	2,222.00
		8"	2,525.00

OUTLETS (SPECIFY PIPE SIZE IN INCHES AND TYPE OF OUTLET)			
OUTLET TYPE		PIPE SIZE/OUTLET TYPE	E BODY HT. DIM. ADD
<b>IC</b>	Inside Caulk	3IC, 4IC, 6IC	5-1/4" N/C
<b>IG</b>	Inside Gasket	3IG, 4IG, 6IG	5-1/4" N/C
<b>NH</b>	No-Hub	2NH, 3NH, 4NH, 6NH, 8NH	5-1/4" N/C
<b>NL</b>	Neo-Loc	2NL, 3NL, 4NL	4-5/8" N/C

SUFFIXES		ADD
<b>-DG</b>	Duresist Grate	217.00
<b>-G</b>	Galvanized Cast Iron	957.00
<b>-P</b>	Trap Primer Connection	150.00
Ⓢ <b>-SA</b>	Stabilizer Assembly (See Z1036)	148.00
Ⓢ <b>-TC</b>	Neo-Loc Test Cap Gasket (2", 3", 4" NL Bottom Outlet Only)	24.00
<b>-TS</b>	Top Secured with Slotted Screws	129.00
<b>-VP</b>	Vandal-Proof Secured Top	149.00

BEST SELLERS		LIST PRICE
Z540-3NH		1,501.00
Z540-3NL		1,501.00
Z540-4NH		1,501.00
Z540-4NH-P		1,651.00
Z540-4NL		1,501.00
ZN540-4NL-P-VP		2,521.00

# Z541 12-1/4" DIAMETER HEAVY-DUTY DRAIN



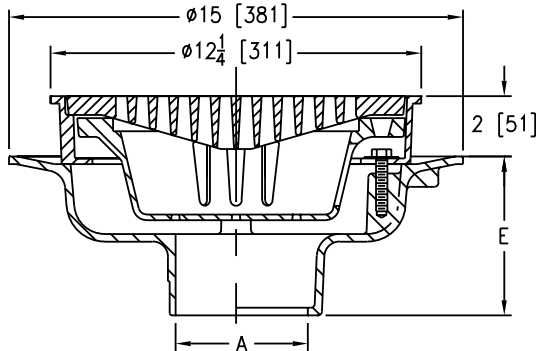
## ENGINEERING SPECIFICATION

Zurn Z541 12-1/4" diameter top drain features Dura-Coated cast iron body with bottom outlet, seepage pan, and combination membrane flashing clamp and frame for anti-tilt, heavy-duty, slotted grate with suspended polypropylene sediment bucket.

## NOTES

†Add 3/16" to 2" dimension and 3/4" to 12-1/4" dimension for ZB and ZN

A Pipe Size inch [mm]	Grate Open Area sq in [cm <sup>2</sup> ]	Approximate Weight lb [kg]
2 [51], 3 [76], 4 [102]	30 [194]	51 [23]
6 [152]		52 [24]
8 [203]		53 [24]



PREFIXES	DESCRIPTION	PIPE SIZE	LIST PRICE
Z541*	D.C.C.I. Body and Top	2", 3", 4", 6" 8"	1,501.00 1,808.00
ZB541	D.C.C.I. Body with Polished Bronze Top	2", 3", 4", 6" 8"	2,125.00 2,427.00
ZN541	D.C.C.I. Body with Polished Nickel Bronze Top	2", 3", 4", 6" 8"	2,222.00 2,525.00

OUTLETS (SPECIFY PIPE SIZE IN INCHES AND TYPE OF OUTLET)			
OUTLET TYPE	PIPE SIZE/OUTLET TYPE	E BODY HT. DIM.	ADD
IC	Inside Caulk	3IC, 4IC, 6IC	5-1/4" N/C
IG	Inside Gasket	3IG, 4IG, 6IG	5-1/4" N/C
IP	Threaded	2IP, 3IP, 4IP, 6IP, 8IP	3-3/4" 80.00
NH	No-Hub	2NH, 3NH, 4NH, 6NH, 8NH	5-1/4" N/C
NL	Neo-Loc	2NL, 3NL, 4NL	4-5/8" N/C

SUFFIXES		ADD
-AR	Acid Resisting Epoxy Coated Cast Iron	1,098.00
-DG	Duresist Grate	257.00
-DX	Dex-O-Tex Flange	552.00
-G	Galvanized Cast Iron	957.00
-H	Hinged Grate	242.00
-HP	Heel-Proof Grate	N/C
-P	Trap Primer Connection	150.00
-S	Secondary Strainer	98.00
Ⓢ -SA	Stabilizer Assembly (See Z1036)	148.00
-SS	Stainless Steel Mesh Liner for Bucket	417.00
Ⓢ -TC	Neo-Loc Test Cap Gasket (2", 3", 4" NL Bottom Outlet Only)	24.00
-TG	Tractor Grate	257.00
-TS	Top Secured with Slotted Screws	129.00
-TSP	Trap Seal Protection Device (Size Matches Drain Outlet Selected, See Z1072)	POA
-V	Backwater Valve (See Z1099)	-
-VP	Vandal-Proof Secured Top	149.00
-WS	Wide Slotted Grate (50 sq. in. open)	N/C
-YC	Cast Iron Sediment Bucket	273.00
-90	90° Threaded Side Outlet Body Assembly (2" thru 6")	365.00
		<b>DEDUCT</b>
-LY	Less Sediment Bucket	-325.00

BEST SELLERS	LIST PRICE
Z541-3NH	1,501.00
Z541-3NH-P	1,651.00
ZN541-3NH	2,222.00
Z541-3NL	1,501.00
Z541-3NL-P	1,651.00
Z541-4IP	1,581.00
Z541-4NH	1,501.00
ZB541-4NH	2,125.00
Z541-4NH-DG	1,758.00
Z541-4NH-P	1,651.00
Z541-4NH-TG	1,758.00
ZN541-4NH	2,222.00
Z541-4NL	1,501.00
ZB541-4NL	2,125.00
Z541-4NL-HP	1,501.00
Z541-4NL-P	1,651.00
Z541-4NL-VP	1,650.00
ZN541-4NL	2,222.00
Z541-6NH	1,501.00
ZB541-6NH	2,125.00
Z541-6NL	1,501.00

\*Regularly furnished unless otherwise specified.

Items designated as Best Sellers are most specified and are generally in stock for shipment.

Ⓢ This symbol denotes a product that is engineered to reduce installation and rework time.

For additional product information, please visit [www.zurn.com](http://www.zurn.com)

INTRO ROOF DRAINS FLOOR DRAINS T, P, BW VALVES INTERCEPTORS CARRIERS HYDRANTS CLEANOUTS W/HA SS DRAINS FAB SS DRAINS SAN-FLOOR TECH INFO

## Z545 16" DIAMETER HEAVY-DUTY DRAIN



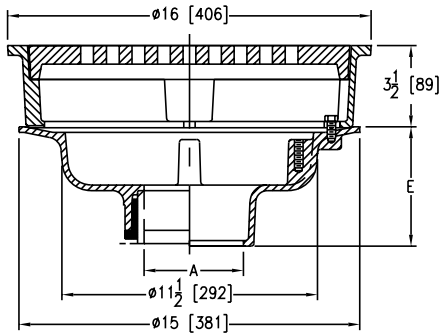
### ENGINEERING SPECIFICATION

Zurn Z545 16" diameter top drain features Dura-Coated cast iron body with bottom outlet, seepage pan, and combination membrane flashing clamp and frame for heavy-duty cast iron, slotted grate.

### NOTES

†Add 3/16" to 3-1/2" dimension for ZB and ZN

A Pipe Size inch [mm]	Grate Open Area sq in [cm <sup>2</sup> ]	Approximate Weight lb [kg]
2 [51], 3 [76], 4 [102], 6 [152]	45 [290]	69 [31]
8 [203]		71 [32]



PREFIXES	DESCRIPTION	PIPE SIZE	LIST PRICE
Z545*	D.C.C.I. Body and Top	2", 3", 4", 6", 8"	2,390.00
ZB545	D.C.C.I. Body with Polished Bronze Top	2", 3", 4", 6", 8"	4,732.00
ZN545	D.C.C.I. Body with Polished Nickel Bronze Top	2", 3", 4", 6", 8"	5,037.00

OUTLETS (SPECIFY PIPE SIZE IN INCHES AND TYPE OF OUTLET)				
OUTLET TYPE		PIPE SIZE/OUTLET TYPE	E BODY HT. DIM.	ADD
IC	Inside Caulk	3IC, 4IC	5-1/4"	N/C
IG	Inside Gasket	3IG, 4IG	5-1/4"	N/C
IP	Threaded	2IP, 3IP, 4IP, 6IP, 8IP	3-3/4"	80.00
NH	No-Hub	2NH, 3NH, 4NH, 6NH, 8NH	5-1/4"	N/C
NL	Neo-Loc	2NL, 3NL, 4NL	4-5/8"	N/C
SUFFIXES				ADD
-DG	Duresist Grate			655.00
-G	Galvanized Cast Iron			1,322.00
-P	Trap Primer Connection			150.00
Ⓢ -TC	Neo-Loc Test Cap Gasket (2", 3", 4" NL Bottom Outlet Only)			24.00
-VP	Vandal-Proof Secured Top			206.00
BEST SELLERS				LIST PRICE
Z545-3NH				2,390.00
Z545-4NL				2,390.00

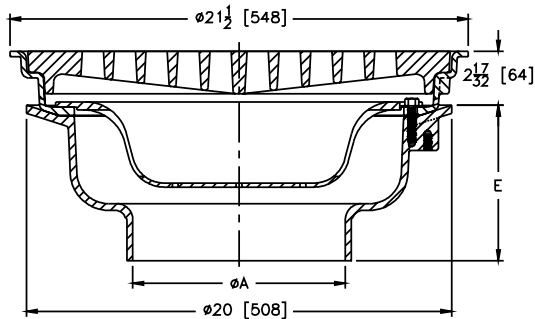
## Z546 21-1/2" DIAMETER EXTRA HEAVY-DUTY DRAIN



### ENGINEERING SPECIFICATION

Zurn Z546 21-1/2" diameter top drain features Dura-Coated cast iron body with bottom outlet, seepage pan, and combination membrane flashing clamp and frame with seepage holes, extra heavy-duty, cast iron, slotted grate with suspended sediment bucket.

A Pipe Size inch [mm]	Grate Open Area sq in [cm <sup>2</sup> ]	Approximate Weight lb [kg]
8 [203]	110 [710]	163 [74]
10 [254]		
12 [305]		



PREFIXES	DESCRIPTION	PIPE SIZE	LIST PRICE
Z546*	D.C.C.I. Body and Top	8"	2,510.00
		10"	2,604.00
		12"	2,728.00

OUTLETS (SPECIFY PIPE SIZE IN INCHES AND TYPE OF OUTLET)			
OUTLET TYPE	PIPE SIZE/OUTLET TYPE	E BODY HT. DIM.	ADD
NH	No-Hub	8NH, 10NH, 12NH	7-5/16" N/C
SUFFIXES			
SUFFIXES			ADD
-F	Extension Frame - 1"-4" (Specify Height)		D.C. 990.00
			Galv. 1,496.00
-G	Galvanized Cast Iron		1,322.00
-TS	Top Secured with Slotted Screws		211.00
-VP	Vandal-Proof Secured Top		235.00
BEST SELLER			LIST PRICE
Z546-12NH-F4			3,718.00

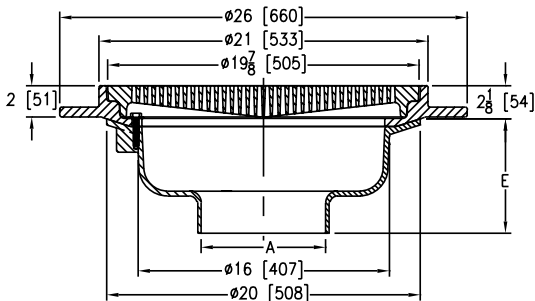
## Z547 21" DIAMETER EXTRA HEAVY-DUTY HEEL-PROOF PARKING DECK DRAIN WITH SUPPORT FLANGE



### ENGINEERING SPECIFICATION

Zurn Z547 21" diameter parking deck drain features Dura-Coated cast iron body with bottom outlet, combination membrane flashing clamp with support flange, and extra heavy-duty, heel-proof, slotted grate.

A Pipe Size inch [mm]	Grate Open Area sq in [cm <sup>2</sup> ]	Approximate Weight lb [kg]
8 [203]	112 [723]	163 [74]
10 [254]		
12 [305]		



PREFIXES	DESCRIPTION	PIPE SIZE	LIST PRICE
Z547*	D.C.C.I. Body and Flange (with Duresist Grate)	8"	3,009.00
		10"	3,124.00
		12"	3,272.00

OUTLETS (SPECIFY PIPE SIZE IN INCHES AND TYPE OF OUTLET)			
OUTLET TYPE	PIPE SIZE/OUTLET TYPE	E BODY HT. DIM.	ADD
NH	No-Hub	8NH, 10NH, 12NH	7-5/16" N/C
SUFFIXES			
SUFFIXES			ADD
-G	Galvanized Cast Iron		1,268.00
-TS	Top Secured with Slotted Screws		201.00
-VP	Vandal-Proof Secured top		228.00
BEST SELLER			LIST PRICE
Z547-8NH			3,009.00

\*Regularly furnished unless otherwise specified.

Items designated as Best Sellers are most specified and are generally in stock for shipment.

⌚ This symbol denotes a product that is engineered to reduce installation and rework time.

For additional product information, please visit [www.zurn.com](http://www.zurn.com)

## Z550 9" DIAMETER MEDIUM-DUTY DRAIN



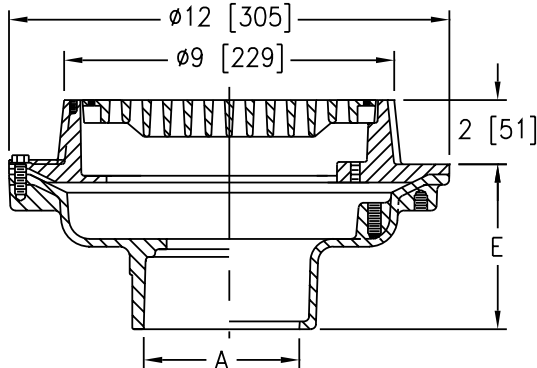
### ENGINEERING SPECIFICATION

Zurn Z550 9" diameter top drain features Dura-Coated cast iron body with bottom outlet, seepage pan, and combination membrane flashing clamp and frame for medium-duty cast iron, heel-proof, slotted grate.

### NOTES

\*Add 3/16" to 2" dimension and 3/4" to 9" dimension for ZB and ZN

A Pipe Size inch [mm]	Grate Open Area sq in [cm <sup>2</sup> ]	Approximate Weight lb [kg]
2 [51], 3 [76], 4 [102]	18 [116]	28 [13]
6 [152]		30 [14]



PREFIXES	DESCRIPTION	PIPE SIZE	LIST PRICE
Z550*	D.C.C.I. Body and Top	2", 3", 4"	509.00
		6"	646.00
ZB550	D.C.C.I. Body with Polished Bronze Top	2", 3", 4"	944.00
		6"	1,085.00
ZN550	D.C.C.I. Body with Polished Nickel Bronze Top	2", 3", 4"	1,045.00
		6"	1,180.00

OUTLETS (SPECIFY PIPE SIZE IN INCHES AND TYPE OF OUTLET)				
OUTLET TYPE		PIPE SIZE/OUTLET TYPE	E BODY HT. DIM.	ADD
IC	Inside Caulk	3IC, 4IC	3-3/4"	N/C
IG	Inside Gasket	3IG, 4IG	3-3/4"	N/C
IP	Threaded	3IP, 4IP	2-3/4"	80.00
NH	No-Hub	2NH, 3NH, 4NH	4-3/4"	N/C
		6NH	5-1/4"	N/C
NL	Neo-Loc	2NL, 3NL, 4NL	3-1/2"	N/C

SUFFIXES		ADD	
-AR	Acid Resisting Epoxy Coated Cast Iron	501.00	
-D	Dome Grate	Z	84.00
		ZB	290.00
		ZN	368.00
-DG	Duresist Grate	194.00	
-G	Galvanized Cast Iron	428.00	
-P	Trap Primer Connection	150.00	
-S	Secondary Strainer	47.00	
-SS	Stainless Mesh Liner for Bucket	290.00	
Ⓢ -TC	Neo-Loc Test Cap Gasket (2", 3", 4" NL Bottom Outlet Only)	24.00	
-TG	Tractor Grate	140.00	
-TS	Top Secured with Slotted Screws	129.00	
-TSP	Trap Seal Protection Device (Size Matches Drain Outlet Selected, See Z1072)	POA	
-VP	Vandal-Proof Secured Top	149.00	
-Y	Sediment Bucket	140.00	
-90	90° Threaded Side Outlet Body Assembly (3", 4")	339.00	

BEST SELLERS	LIST PRICE
Z550-3NH	509.00
Z550-3NH-Y	649.00
Z550-3NL	509.00
Z550-3NL-P	659.00
Z550-3NL-P-Y	799.00
Z550-3NL-Y	649.00
Z550-4NH	509.00
Z550-4NH-P	659.00
Z550-4NH-P-Y	799.00
Z550-4NH-Y	649.00
Z550-4NL	509.00
Z550-4NL-P	659.00
Z550-4NL-Y	649.00

## Z551 9" DIAMETER MEDIUM-DUTY DRAIN



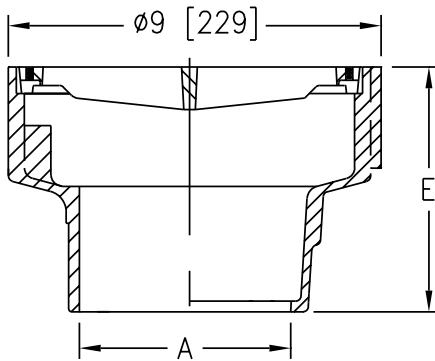
### ENGINEERING SPECIFICATION

Zurn Z551 9" diameter top drain features Dura-Coated cast iron body with bottom outlet and medium-duty, slotted grate.

### NOTES

†Add 3/16" to 'E' dimension and 3/4" to 9" dimension for ZN

A Pipe Size inch [mm]	Grate Open Area sq in [cm <sup>2</sup> ]	Approximate Weight lb [kg]
2 [51], 3 [76], 4 [102]	18 [116]	19 [9]



PREFIXES	DESCRIPTION	PIPE SIZE	LIST PRICE
Z551*	D.C.C.I. Body and Top	2", 3", 4"	326.00
ZN551	D.C.C.I. Body with Polished Nickel Bronze Top	2", 3", 4"	910.00

OUTLETS (SPECIFY PIPE SIZE IN INCHES AND TYPE OF OUTLET)				
OUTLET TYPE		PIPE SIZE/OUTLET TYPE	E BODY HT. DIM.	ADD
IP	Threaded	4IP	4"	80.00
NH	No-Hub	2NH, 3NH, 4NH	5-3/4"	N/C
NL	Neo-Loc	2NL, 3NL, 4NL	5-1/8"	N/C

SUFFIXES			ADD
-D	Dome Grate	Z	84.00
		ZN	368.00
-DG	Duresist Grate		194.00
-G	Galvanized Cast Iron		248.00
-P	Trap Primer Connection		150.00
-SS	Stainless Mesh Liner for Bucket		290.00
① -TC	Neo-Loc Test Cap Gasket (2", 3", 4" NL Bottom Outlet Only)		24.00
-TG	Tractor Grate		140.00
-TS	Top Secured with Slotted Screws		129.00
-VP	Vandal-Proof Secured Top		149.00
-Y	Sediment Bucket		140.00

BEST SELLERS		LIST PRICE
Z551-4NH		326.00
Z551-4NL		326.00

\*Regularly furnished unless otherwise specified.

Items designated as Best Sellers are most specified and are generally in stock for shipment.

① This symbol denotes a product that is engineered to reduce installation and rework time.

For additional product information, please visit [www.zurn.com](http://www.zurn.com)

## Z554 9" MEDIUM-DUTY DRAIN WITH SUR-SET BUCKET



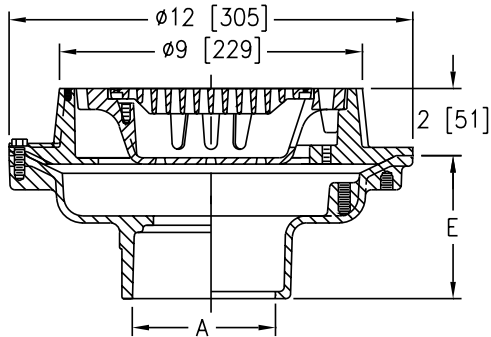
### ENGINEERING SPECIFICATION

Zurn Z554 9" diameter top drain features Dura-Coated cast iron body with bottom outlet, seepage pan, combination membrane flashing clamp and frame, and medium-duty cast iron grate with Sur-Set bucket.

### NOTES

†Add 3/16" to 2" dimension and 3/4" to 9" for ZB and ZN

A Pipe Size inch [mm]	Grate Open Area sq in [cm <sup>2</sup> ]	Approximate Weight lb [kg]
2 [51], 3 [76], 4 [102]	9 [58]	21 [10]



PREFIXES	DESCRIPTION	PIPE SIZE	LIST PRICE
Z554*	D.C.C.I. Body and Top	2", 3", 4"	597.00
ZB554	D.C.C.I. Body with Polished Bronze Top	2", 3", 4"	1,008.00
ZN554	D.C.C.I. Body with Polished Nickel Bronze Top	2", 3", 4"	1,098.00

OUTLETS (SPECIFY PIPE SIZE IN INCHES AND TYPE OF OUTLET)			
OUTLET TYPE	PIPE SIZE/ OUTLET TYPE	E BODY HT. DIM.	ADD
IP	Threaded	4IP	80.00
NH	No-Hub	2NH, 3NH, 4NH	N/C
NL	Neo-Loc	2NL, 3NL, 4NL	N/C

SUFFIXES			ADD
-AR	Acid Resisting Epoxy Coated Cast Iron		536.00
-G	Galvanized Cast Iron		469.00
-P	Trap Primer Connection		150.00
Ⓢ -TC	Neo-Loc Test Cap Gasket (2", 3", 4" NL Bottom Outlet Only)		24.00
-TS	Top Secured with Slotted Screws		129.00
-VP	Vandal-Proof Secured Top		149.00

BEST SELLER		LIST PRICE
Z554-4NH		597.00

## Z556 8" ADJUSTABLE HEAVY-DUTY DRAIN



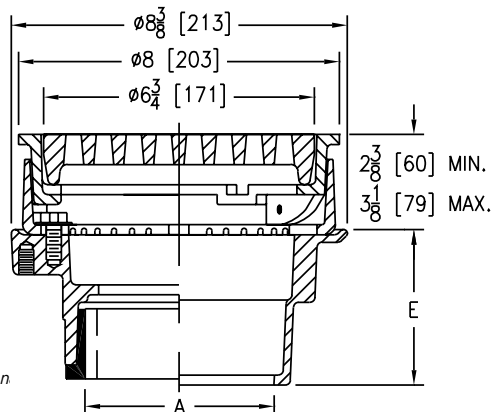
### ENGINEERING SPECIFICATION

Zurn Z556 8" diameter top drain features Dura-Coated cast iron body with bottom outlet, seepage pan, and combination membrane flashing clamp and frame for adjustable extension with heavy-duty, slotted, cast iron grate.

### NOTES

†Add 3/16" to 2-3/8" through 3-1/8" dimension for ZB and ZN

A Pipe Size inch [mm]	Grate Open Area sq in [cm <sup>2</sup> ]	Approximate Weight lb [kg]
2 [51], 3 [76], 4 [102]	11 [71]	19 [9]



PREFIXES	DESCRIPTION	PIPE SIZE	LIST PRICE
Z556*	D.C.C.I. Body and Top	2", 3", 4"	412.00
ZN556	D.C.C.I. Body with Polished Nickel Bronze Top	2", 3", 4"	910.00

OUTLETS (SPECIFY PIPE SIZE IN INCHES AND TYPE OF OUTLET)			
OUTLET TYPE	PIPE SIZE/OUTLET TYPE	E BODY HT. DIM.	ADD
IP	Threaded	2IP, 3IP, 4IP	80.00
NH	No-Hub	2NH, 3NH, 4NH	N/C
NL	Neo-Loc	2NL, 3NL, 4NL	N/C

SUFFIXES			ADD
-G	Galvanized Cast Iron		428.00
-P	Trap Primer Connection		150.00
-TS	Top Secured with Slotted Screws		129.00
-VP	Vandal-Proof Secured Top		149.00
-Y	Sediment Bucket		140.00

BEST SELLER		LIST PRICE
ZN556-4NL-Y		1,050.00

SEE LEGACY ADDENDUM ON PAGE 369 FOR MORE INFORMATION

For addition

\*Regularly furnished unless otherwise specified.

Items designated as Best Sellers are most specified and are generally in stock for shipment.

Ⓢ This symbol denotes a product that is engineered to reduce installation and rework time.



## Z566 12" SQUARE OPEN TOP DRAIN



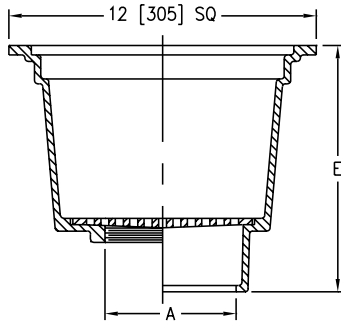
### ENGINEERING SPECIFICATION

Zurn Z566 12" square open top drain features Dura-Coated cast iron body with bottom outlet and loose set cast iron secondary strainer.

### NOTES

†Add 3/16" to 'E' dimension for ZN

A Pipe Size inch [mm]	Approximate Weight lb [kg]
2 [51], 3 [76], 4 [102]	42 [19]



PREFIXES	DESCRIPTION	PIPE SIZE	LIST PRICE
Z566*	D.C.C.I. Body and Top	2", 3", 4"	798.00
ZN566	D.C.C.I. Body with Polished Nickel Bronze Top	2", 3", 4"	1,558.00

OUTLETS (SPECIFY PIPE SIZE IN INCHES AND TYPE OF OUTLET)			
OUTLET TYPE	PIPE SIZE/OUTLET TYPE	E BODY HT. DIM.	ADD
IP	Threaded	3IP, 4IP	7-5/8" 80.00
NL	Neo-Loc	2NL, 3NL, 4NL	9" N/C

SUFFIXES			ADD
-AR	Acid Resisting Epoxy Coated Cast Iron		744.00
-G	Galvanized Cast Iron		569.00
-GT	Top Grate	Z	194.00
		ZN	582.00

Ⓢ -TC	Neo-Loc Test Cap Gasket (2", 3", 4" NL Bottom Outlet Only)		24.00
-Y	Sediment Bucket		242.00

BEST SELLERS		LIST PRICE
Z566-4NL-GT-Y		1,234.00
ZN566-4NL-GT-Y		2,382.00

## Z575 6" X 12" MEDIUM-DUTY GUTTER DRAIN



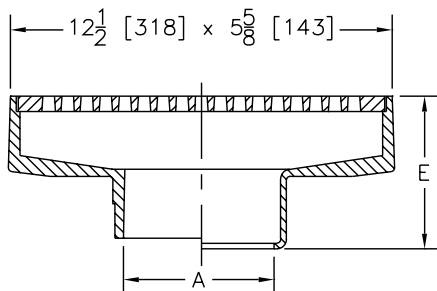
### ENGINEERING SPECIFICATION

Zurn Z575 6" x 12" top gutter drain features Dura-Coated cast iron body with bottom outlet and medium-duty, cast iron, anti-tilt, slotted grate.

### NOTES

†Add 3/16" to 'E' dimension for ZB and ZN

A Pipe Size inch [mm]	Grate Open Area sq in [cm <sup>2</sup> ]	Approximate Weight lb [kg]
2 [51], 3 [76], 4 [102]	24 [155]	18 [8]



PREFIXES	DESCRIPTION	PIPE SIZE	LIST PRICE
Z575*	D.C.C.I. Body and Top	2", 3", 4"	488.00
ZB575	D.C.C.I. Body with Polished Bronze Top	2", 3", 4"	1,020.00
ZN575	D.C.C.I. Body with Polished Nickel Bronze Top	2", 3", 4"	1,088.00

OUTLETS (SPECIFY PIPE SIZE IN INCHES AND TYPE OF OUTLET)			
OUTLET TYPE	PIPE SIZE/OUTLET TYPE	E BODY HT. DIM.	ADD
IC	Inside Caulk	2IC, 3IC, 4IC	5" N/C
IG	Inside Gasket	2IG, 3IG, 4IG	5" N/C
IP	Threaded	2IP, 3IP, 4IP	3-5/8" 80.00
NH	No-Hub (IP w/Z1040)	2NH, 3NH, 4NH	- N/C
NL	Neo-Loc	2NL, 3NL, 4NL	4-1/2" N/C

SUFFIXES			ADD
-DG	Duresist Grate		306.00
-G	Galvanized Cast Iron		494.00
-K	Seepage Pan		206.00
-KC	Seepage Pan with Clamp Collar		380.00
Ⓢ -TC	Neo-Loc Test Cap Gasket (2", 3", 4" NL Bottom Outlet Only)		24.00
-TS	Top Secured with Slotted Screws		129.00
-V	Backwater Valve (See Z1099)		-
-VP	Vandal-Proof Secured Top		149.00

SEE LEGACY ADDENDUM ON PAGE 369 FOR MORE INFORMATION

\*Regularly furnished unless otherwise specified.

Items designated as Best Sellers are most specified and are generally in stock for shipment.

Ⓢ This symbol denotes a product that is engineered to reduce installation and rework time.

For additional product information, please visit [www.zurn.com](http://www.zurn.com)

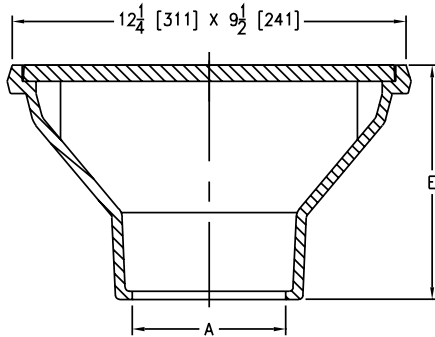
## Z587 12-1/4" X 9-1/2" MEDIUM-DUTY DRAIN



### ENGINEERING SPECIFICATION

Zurn Z587 12-1/4" x 9-1/2" top drain features Dura-Coated cast iron body with bottom outlet and medium-duty, cast iron, slotted grate.

A Pipe Size inch [mm]	Grate Open Area sq in [cm <sup>2</sup> ]	Approximate Weight lb [kg]
2 [51], 3 [76], 4 [102]	24 [155]	31 [14]



## Z609 9" SQUARE HEAVY-DUTY DRAIN



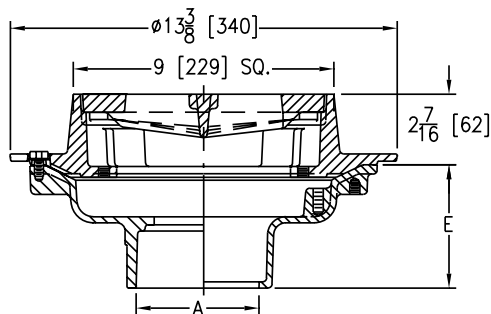
### ENGINEERING SPECIFICATION

Zurn Z609 9" square top drain features Dura-Coated cast iron body with bottom outlet, seepage pan, heavy-duty, cast iron, anti-tilt, slotted grate, and combination membrane flashing clamp and frame.

### NOTES

\*Add 3/16" to 2-7/16" dimension and 3/4" to 9" dimension for ZB and ZN

A Pipe Size inch [mm]	Grate Open Area sq in [cm <sup>2</sup> ]	Approximate Weight lb [kg]
2 [51], 3 [76], 4 [102]	14 [90]	32 [15]



PREFIXES	DESCRIPTION	PIPE SIZE	LIST PRICE	
Z587*	D.C.C.I. Body and Top	2", 3", 4"	1,448.00	
OUTLETS (SPECIFY PIPE SIZE IN INCHES AND TYPE OF OUTLET)				
OUTLET TYPE	PIPE SIZE/OUTLET TYPE	E BODY HT. DIM.	ADD	
NH	No-Hub	2NH, 3NH, 4NH	7-3/16"	N/C
SUFFIXES				
			ADD	
-G	Galvanized Cast Iron		531.00	
-TS	Top Secured with Slotted Screws		138.00	
-VP	Vandal-Proof Secured Top		159.00	

PREFIXES	DESCRIPTION	PIPE SIZE	LIST PRICE	
Z609*	D.C.C.I. Body and Top	2", 3", 4"	824.00	
ZB609	D.C.C.I. Body with Polished Bronze Top	2", 3", 4"	1,276.00	
ZN609	D.C.C.I. Body with Polished Nickel Bronze Top	2", 3", 4"	1,434.00	
OUTLETS (SPECIFY PIPE SIZE IN INCHES AND TYPE OF OUTLET)				
OUTLET TYPE	PIPE SIZE/OUTLET TYPE	E BODY HT. DIM.	ADD	
IC	Inside Caulk	2IC, 3IC, 4IC	3-3/4"	N/C
IG	Inside Gasket	2IG, 3IG, 4IG	3-3/4"	N/C
IP	Threaded	2IP, 3IP, 4IP	2-3/4"	80.00
NH	No-Hub (IP w/Z1040)	2NH, 3NH, 4NH	4-3/4"	N/C
NL	Neo-Loc	2NL, 3NL, 4NL	3-1/2"	N/C
SUFFIXES				
			ADD	
-AR	Acid Resisting Epoxy Coated Cast Iron		501.00	
-DG	Duresist Grate		211.00	
-F	2" High Extension (Per Inch)		48.00	
-G	Galvanized Cast Iron		420.00	
-GG	Galvanized Grate		158.00	
-H	Hinged Grate		178.00	
-HL	Hinged Locking Grate		413.00	
-P	Trap Primer Connection (1/2"*)		150.00	
-S	Secondary Strainer		47.00	
-SC	Solid Cover		483.00	
-SS	Stainless Steel Mesh Liner for Bucket		286.00	
Ⓞ -TC	Neo-Loc Test Cap Gasket (2", 3", 4" NL Bottom Outlet Only)		24.00	
-TS	Top Secured with Slotted Screws		129.00	
-V	Backwater Valve (See Z1099)		-	
-VP	Vandal-Proof Secured Top		149.00	
-Y	Sediment Bucket		140.00	
-90	90° Threaded Side Outlet Body Assembly (2" thru 4" Only)		339.00	
SEE LEGACY ADDENDUM ON PAGE 369 FOR MORE INFORMATION				

## Z610 12-1/2" HEAVY-DUTY DRAIN



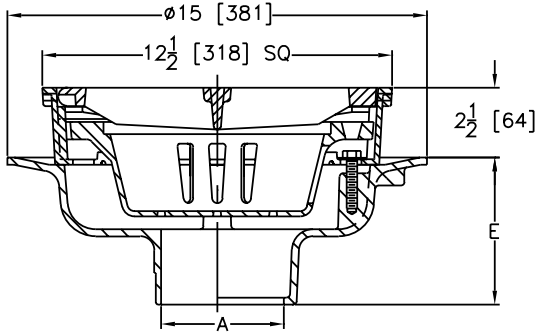
### ENGINEERING SPECIFICATION

Zurn Z610 12-1/2" square top drain features Dura-Coated cast iron body with bottom outlet, seepage pan, and combination membrane flashing clamp and frame for heavy-duty, cast iron, loose, slotted grate with suspended polypropylene sediment bucket.

### NOTES

†Add 3/16" to 2-1/2" dimension and 3/4" to 12-1/2" dimension for ZB and ZN

A Pipe Size inch [mm]	Grate Open Area sq in [cm <sup>2</sup> ]	Approximate Weight lb [kg]
2 [51], 3 [76], 4 [102], 6 [152]	42 [271]	54 [24]
8 [203]		56 [25]



PREFIXES	DESCRIPTION	PIPE SIZE	LIST PRICE
Z610*	D.C.C.I. Body and Top	2", 3", 4", 6" 8"	1,489.00 1,790.00
ZB610	D.C.C.I. Body with Polished Bronze Top	2", 3", 4", 6" 8"	2,390.00 2,693.00
ZN610	D.C.C.I. Body with Polished Nickel Bronze Top	2", 3", 4", 6" 8"	2,583.00 2,875.00

OUTLETS (SPECIFY PIPE SIZE IN INCHES AND TYPE OF OUTLET)			
OUTLET TYPE	PIPE SIZE/OUTLET TYPE	E BODY HT. DIM.	ADD
IC	Inside Caulk 3IC, 4IC, 6IC	5-1/4"	N/C
IG	Inside Gasket 3IG, 4IG, 6IG	5-1/4"	N/C
IP	Threaded 2IP, 3IP, 4IP, 6IP	3-3/4"	80.00
NH	No-Hub (IP w/ Z1040)	2NH, 3NH, 4NH, 6NH, 8NH	5-1/4" N/C
NL	Neo-Loc 2NL, 3NL, 4NL	4-5/8"	N/C

SUFFIXES		ADD
-AR	Acid Resisting Epoxy Coated Cast Iron	917.00
-DG	Duresist Grate	368.00
-DS	Ductile Iron Solid Cover	757.00
-DX	Dex-O-Tex Flange (ZB, ZN only)	ZB 977.00 ZN 1,179.00
-F	2" High Extension	328.00
-G	Galvanized Cast Iron	889.00
-H	Hinged Grate	242.00
-HC	Hinged Solid Cover	532.00
-HL	Hinged Locking Grate	552.00
-HLC	Hinged Locking Cover	577.00
-P	Trap Primer Connection	150.00
-S	Secondary Strainer	98.00
Ⓢ -SA	Stabilizer Assembly (See Z1036)	148.00
-SC	Solid Cover	483.00
-SS	Stainless Mesh Liner for Bucket	417.00
Ⓢ -TC	Neo-Loc Test Cap Gasket (2", 3", 4" NL Bottom Outlet Only)	24.00
-TS	Top Secured with Slotted Screws	129.00
-TSP	Trap Seal Protection Device (Size Matches Drain Outlet Selected, See Z1072)	POA
-V	Backwater Valve (See Z1099)	-
-VP	Vandal-Proof Secured Top	149.00
-YA	Aluminum Sediment Bucket	380.00
-YC	Cast Iron Sediment Bucket	273.00
-90	90° Threaded Side Outlet Body Assembly	365.00

DEDUCT		
-LY	Less Sediment Bucket	-325.00

BEST SELLERS	LIST PRICE
Z610-3NL	1,489.00
Z610-4NH	1,489.00
Z610-4NH-DG	1,857.00
Z610-4NH-HL	2,041.00
Z610-4NH-S	1,587.00
Z610-4NL	1,489.00
Z610-4NL-HC	2,021.00
Z610-4NL-P	1,639.00
Z610-4NL-S	1,587.00
ZN610-4NL	2,583.00
Z610-6NH	1,489.00
Z610-6NL	1,489.00
Z610-8NH	1,790.00

\*Regularly furnished unless otherwise specified.

Items designated as Best Sellers are most specified and are generally in stock for shipment.

Ⓢ This symbol denotes a product that is engineered to reduce installation and rework time.

For additional product information, please visit [www.zurn.com](http://www.zurn.com)

## Z611 9" MEDIUM-DUTY DRAIN



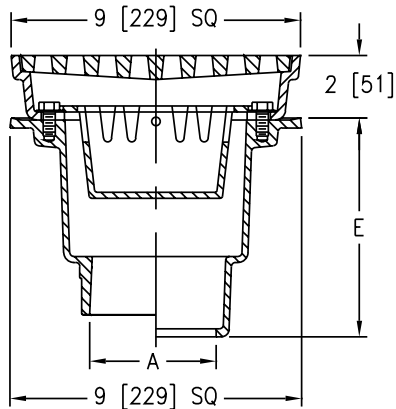
### ENGINEERING SPECIFICATION

Zurn Z611 9" square top drain features Dura-Coated cast iron body with bottom outlet, seepage pan, and combination membrane flashing clamp and frame for cast iron, medium-duty, slotted grate with suspended sediment bucket.

### NOTES

†Add 3/16" to 2" and 9" dimension for ZB and ZN

A Pipe Size inch [mm]	Grate Open Area sq in [cm <sup>2</sup> ]	Approximate Weight lb [kg]
2 [51], 3 [76], 4 [102]	26 [168]	29 [13]



PREFIXES	DESCRIPTION	PIPE SIZE	LIST PRICE
<b>Z611*</b>	D.C.C.I. Body and Top	2", 3", 4"	<b>960.00</b>
<b>ZB611</b>	D.C.C.I. Body with Polished Bronze Top	2", 3", 4"	<b>1,413.00</b>
<b>ZN611</b>	D.C.C.I. Body with Polished Nickel Bronze Top	2", 3", 4"	<b>1,579.00</b>

OUTLETS (SPECIFY PIPE SIZE IN INCHES AND TYPE OF OUTLET)				
OUTLET TYPE		PIPE SIZE/OUTLET TYPE	E BODY HT. DIM.	ADD
<b>IP</b>	Threaded	2IP, 3IP, 4IP	5"	<b>80.00</b>
<b>NH</b>	No-Hub (IP w/Z1040)	2NH, 3NH, 4NH	7-1/2"	<b>N/C</b>
<b>NL</b>	Neo-Loc	2NL, 3NL, 4NL	6-1/8"	<b>N/C</b>

SUFFIXES		ADD
<b>-AR</b>	Acid Resisting Epoxy Coated Cast Iron	<b>556.00</b>
<b>-DG</b>	Duresist Grate	<b>245.00</b>
<b>-G</b>	Galvanized Cast Iron	<b>428.00</b>
<b>-P</b>	Trap Primer Connection	<b>150.00</b>
<b>-S</b>	Secondary Strainer	<b>48.00</b>
Ⓢ <b>-TC</b>	Neo-Loc Test Cap Gasket (2", 3", 4" NL Bottom Outlet Only)	<b>24.00</b>
<b>-V</b>	Backwater Valve (See Z1099)	<b>-</b>
<b>-VP</b>	Vandal-Proof Secured Top	<b>149.00</b>
<b>-90</b>	90° Side Outlet Body Assembly (2", 3" Threaded Only)	<b>158.00</b>

	DEDUCT	
<b>-LY</b>	Less Sediment Bucket	<b>-80.00</b>

BEST SELLERS	LIST PRICE
Z611-4NH	<b>960.00</b>
Z611-4NL	<b>960.00</b>

## Z624 ISOLATION DECK DRAIN



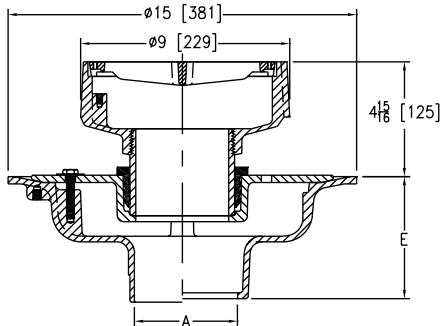
### ENGINEERING SPECIFICATION

Zurn Z624 floating slab drain features Dura-Coated cast iron upper and lower bodies, clamp collar with weep holes, neoprene flex gasket, isolation nipple, and slotted grate.

### NOTES

†Add 3/16" to 4-15/16" dimension for ZN

A Pipe Size inch [mm]	Grate Open Area sq in [cm <sup>2</sup> ]	Approximate Weight lb [kg]
2 [51], 3 [76], 4 [102]	18 [116]	42 [19]
6 [152]		



PREFIXES	DESCRIPTION	PIPE SIZE	LIST PRICE
<b>Z624*</b>	D.C.C.I. Body and Top	2", 3", 4"	<b>1,686.00</b>
		6"	<b>1,989.00</b>
<b>ZN624</b>	D.C.C.I. Body with Polished Nickel Bronze Top	2", 3", 4"	<b>2,023.00</b>
		6"	<b>2,324.00</b>

OUTLETS (SPECIFY PIPE SIZE IN INCHES AND TYPE OF OUTLET)			
OUTLET TYPE	PIPE SIZE/OUTLET TYPE	E BODY HT. DIM.	ADD
<b>NH</b>	No-Hub	2NH, 3NH, 4NH, 6NH	5-1/4" <b>N/C</b>
<b>NL</b>	Neo-Loc	2NL, 3NL, 4NL	4-5/8" <b>N/C</b>
SUFFIXES			ADD
-C	Underdeck Clamp (Lower Body)		<b>244.00</b>
-G	Galvanized Cast Iron		<b>1,199.00</b>
-R	Sump Receiver (Lower Body)		<b>272.00</b>
-TS	Top Secured with Slotted Screws		<b>129.00</b>
-VP	Vandal-Proof Secured Top		<b>149.00</b>
-Y	Sediment Bucket (Upper Body)		<b>147.00</b>
BEST SELLERS			LIST PRICE
Z624-3NH			<b>1,686.00</b>
ZN624-3NH			<b>2,023.00</b>
ZN624-4NH			<b>2,023.00</b>
Z624-6NH			<b>1,989.00</b>

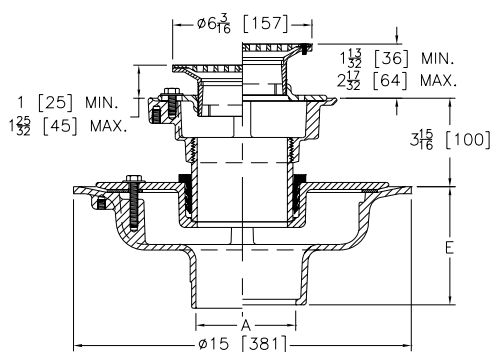
## Z625 ADJUSTABLE ISOLATION DECK DRAIN



### ENGINEERING SPECIFICATION

Zurn ZN625 adjustable isolation deck drain features Dura-Coated cast iron upper and lower bodies, upper and lower clamp collars, neoprene flex gasket, isolation nipple, and adjustable 6" diameter nickel bronze strainer.

A Pipe Size inch [mm]	Grate Open Area sq in [cm <sup>2</sup> ]	Approximate Weight lb [kg]
2 [51], 3 [76], 4 [102]	9 [58]	42 [19]
6 [152]		



PREFIXES	DESCRIPTION	PIPE SIZE	LIST PRICE
<b>ZN625*</b>	D.C.C.I. Body with Polished Nickel Bronze Top	2", 3", 4"	<b>1,432.00</b>
		6"	<b>1,734.00</b>
<b>ZB625</b>	D.C.C.I. Body with Polished Bronze Top	2", 3", 4"	<b>1,378.00</b>
		6"	<b>1,680.00</b>

OUTLETS (SPECIFY PIPE SIZE IN INCHES AND TYPE OF OUTLET)			
OUTLET TYPE	PIPE SIZE/OUTLET TYPE	E BODY HT. DIM.	ADD
<b>NH</b>	No-Hub	2NH, 3NH, 4NH, 6NH	5-1/4" <b>N/C</b>
<b>NL</b>	Neo-Loc	2NL, 3NL, 4NL	4-5/8" <b>N/C</b>
SUFFIXES			ADD
-C	Underdeck Clamp (Lower Body)		<b>244.00</b>
-G	Galvanized Cast Iron		<b>1,143.00</b>
-PC	Protective Cover		<b>64.00</b>
-R	Sump Receiver (Lower Body)		<b>272.00</b>
-U	3" High Extension Adapter (Upper Body)		<b>140.00</b>
-VP	Vandal-Proof Secured Top		<b>58.00</b>
-Y	Sediment Bucket (Upper Body)		<b>109.00</b>
BEST SELLERS			LIST PRICE
ZN625-3NH			<b>1,432.00</b>
ZN625-4NH			<b>1,432.00</b>

\*Regularly furnished unless otherwise specified.

Items designated as Best Sellers are most specified and are generally in stock for shipment.

⌚ This symbol denotes a product that is engineered to reduce installation and rework time.

For additional product information, please visit [www.zurn.com](http://www.zurn.com)

## Z627 HEAVY-DUTY ADJUSTABLE ISOLATION DECK DRAIN



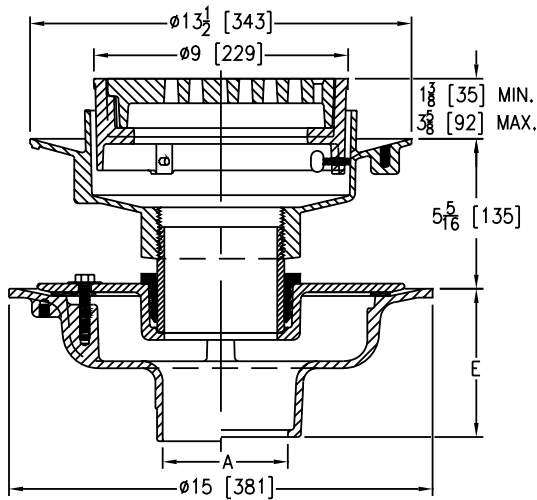
### ENGINEERING SPECIFICATION

Zurn Z627 adjustable isolation deck drain features Dura-Coated cast iron upper and lower bodies, clamp collar, neoprene flex gasket, isolation nipple, and 8" diameter round, heavy-duty grate.

### NOTES

†Add 3/16" to 1-3/8" through 3-5/8" dimension and 3/4" to 9" dimension for ZN

A Pipe Size inch [mm]	Grate Open Area sq in [cm <sup>2</sup> ]	Approximate Weight lb [kg]
2 [51], 3 [76], 4 [102]	18 [116]	65 [29]
6 [152]		



PREFIXES	DESCRIPTION	PIPE SIZE	LIST PRICE
Z627*	D.C.C.I. Body and Top	2", 3", 4"	1,318.00
		6"	1,620.00
ZN627	D.C.C.I. Body with Polished Nickel Bronze Top	2", 3", 4"	1,819.00
		6"	2,119.00

OUTLETS (SPECIFY PIPE SIZE IN INCHES AND TYPE OF OUTLET)				
OUTLET TYPE	PIPE SIZE/OUTLET TYPE	E BODY HT. DIM.	ADD	
NH	No-Hub	2NH, 3NH, 4NH, 6NH	5-1/4"	N/C
NL	Neo-Loc	2NL, 3NL, 4NL	4-5/8"	N/C

SUFFIXES			ADD
-C	Underdeck Clamp (Lower Body)		244.00
-CC	Clamp Collar (Upper Body)		N/C
-DG	Duresist Grate		217.00
-G	Galvanized Cast Iron		1,378.00
-R	Sump Receiver (Lower Body)		272.00
-TS	Top Secured with Slotted Screws		129.00
-VP	Vandal-Proof Secured Top		149.00
-Y	Sediment Bucket		140.00

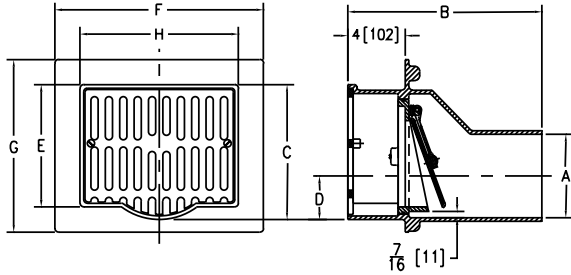
BEST SELLERS		LIST PRICE
Z627-3NH		1,318.00
Z627-3NH-VP		1,467.00
ZN627-3NH		1,819.00

## Z629 VERTICAL WALL DRAIN WITH BACKWATER VALVE



### ENGINEERING SPECIFICATION

Zurn Z629 vertical wall drain features Dura-Coated cast iron body, bronze valve assembly, and secured slotted grate.



PREFIXES	DESCRIPTION	PIPE SIZE	LIST PRICE
<b>Z629*</b>	D.C.C.I. Body with Cast Iron Grate	3", 4"	<b>1,876.00</b>
		6"	<b>2,823.00</b>
<b>ZN629</b>	D.C.C.I. Body with Polished Nickel Bronze Grate	3", 4"	<b>2,761.00</b>
		6"	<b>3,705.00</b>
OUTLETS (SPECIFY PIPE SIZE IN INCHES AND TYPE OF OUTLET)			
OUTLET TYPE	PIPE SIZE/OUTLET TYPE		ADD
<b>NH</b>	No-Hub	3NH, 4NH, 6NH	<b>N/C</b>
SUFFIXES			
			ADD
<b>-C</b>	Clamping Collar		<b>267.00</b>
<b>-G</b>	Galvanized Cast Iron		<b>660.00</b>
<b>-VP</b>	Vandal-Proof Secured Top		<b>84.00</b>
			DEDUCT
<b>-LV</b>	Less Backwater Valve	3", 4"	<b>-436.00</b>
		6"	<b>-1051.00</b>

A Pipe Size	Dimensions in inches [mm]							Grate Open Area sq in [cm <sup>2</sup> ]	Approximate Weight lb [kg]
	B	C	D	E	F	G	H		
3 [76]	13 [330]	7-5/8 [178]	1-1/2 [38]	6-7/8 [175]	12-3/4 [324]	11 [279]	9-1/4 [235]	20 [129]	47 [21]
4 [102]			2 [51]						
6 [152]	13-1/2 [343]	9-3/8 [238]	3-1/8 [79]	8-1/2 [216]	14-1/2 [368]	12 [305]	11 [279]	33 [213]	58 [26]

\*Regularly furnished unless otherwise specified.

Items designated as Best Sellers are most specified and are generally in stock for shipment.

⌚ This symbol denotes a product that is engineered to reduce installation and rework time.

For additional product information, please visit [www.zurn.com](http://www.zurn.com)

## Z645 12-1/2" X 12-1/2" HEAVY-DUTY DRAIN



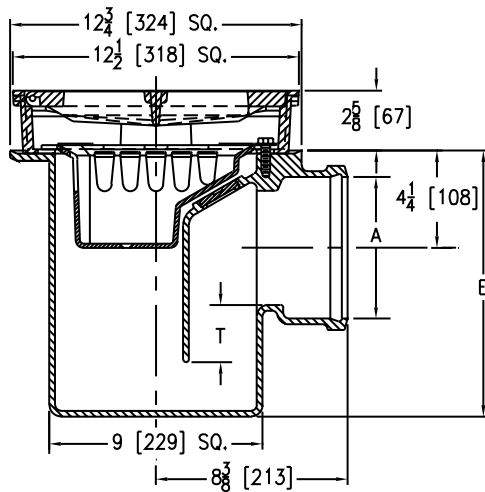
### ENGINEERING SPECIFICATION

Zurn Z645 12-1/2" x 12-1/2" top drain features Dura-Coated cast iron body with side outlet, internal trap with bronze cleanout plug, seepage pan, and combination membrane flashing clamp and frame for cast iron, hinged, heavy-duty, slotted grate with suspended aluminum sediment bucket.

### NOTES

\*Add 3/16" to 2-5/8" dimension and 3/4" to 12-1/2" dimension for ZB and ZN

Dimensions in inches [mm]		Grate Open Area sq in [cm <sup>2</sup> ]	Approximate Weight lb [kg]
A Pipe Size	M		
3 [76]	3-1/2 [89]	44 [284]	112 [51]
4 [102]	3 [76]		



PREFIXES	DESCRIPTION	PIPE SIZE	LIST PRICE
Z645*	D.C.C.I. Body and Top	3", 4"	2,566.00
ZB645	D.C.C.I. Body with Polished Bronze Top	3", 4"	3,379.00
ZN645	D.C.C.I. Body with Polished Nickel Bronze Top	3", 4"	3,657.00

OUTLETS (SPECIFY PIPE SIZE IN INCHES AND TYPE OF OUTLET)			
OUTLET TYPE	PIPE SIZE/OUTLET TYPE	E BODY HT. DIM.	ADD
IC	Inside Caulk	3C, 4C	11-5/8" N/C
SUFFIXES			ADD
-AR	Acid Resisting Epoxy Coated Cast Iron		1,660.00
-G	Galvanized Cast Iron		1,458.00
-P	Trap Primer Connection (Specify 1/2" or 3/4")		150.00
-VP	Vandal-Proof Secured Top		149.00
BEST SELLER			LIST PRICE
Z645-4C			2,566.00



# Z662 16" HEAVY-DUTY DRAIN



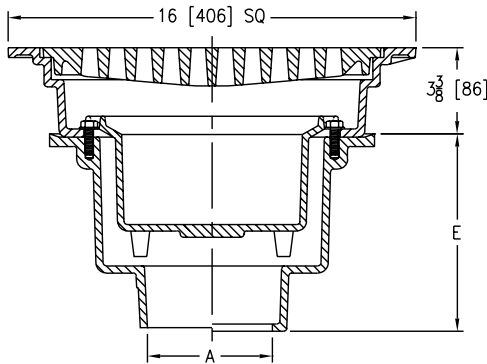
## ENGINEERING SPECIFICATION

Zurn Z662 16" square top drain features Dura-Coated cast iron body with bottom outlet, seepage pan, and combination membrane flashing clamp and frame for heavy-duty, slotted, loose grate with suspended sediment bucket.

## NOTES

†Add 3/16" to 3-3/8" through 3-5/8" dimension and 11/16" to 16" dimension for ZB and ZN

A Pipe Size inch [mm]	Grate Open Area sq in [cm <sup>2</sup> ]	Approximate Weight lb [kg]
3 [76], 4 [102]	53 [342]	95 [43]
6 [152]		98 [44]



PREFIXES	DESCRIPTION	PIPE SIZE	LIST PRICE
<b>Z662*</b>	D.C.C.I. Body and Top	3", 4", 6"	<b>2,669.00</b>
<b>ZB662</b>	D.C.C.I. Body with Polished Bronze Top	3", 4", 6"	<b>4,107.00</b>
<b>ZN662</b>	D.C.C.I. Body with Polished Nickel Bronze Top	3", 4", 6"	<b>4,482.00</b>

OUTLETS (SPECIFY PIPE SIZE IN INCHES AND TYPE OF OUTLET)				
OUTLET TYPE		PIPE SIZE/OUTLET TYPE	E BODY HT. DIM.	ADD
<b>IC</b>	Inside Caulk	4IC, 6IC	7-3/4"	<b>N/C</b>
<b>IG</b>	Inside Caulk w/ Sealrol Gasket	4IG, 6IG	7-3/4"	<b>N/C</b>
<b>IP</b>	Threaded	4IP, 6IP	6-5/16"	<b>80.00</b>
<b>NH</b>	No-Hub	3NH, 4NH, 6NH	7-13/16"	<b>N/C</b>
<b>NL</b>	Neo-Loc	3NL, 4NL	7-3/16"	<b>N/C</b>

SUFFIXES	ADD
<b>-DG</b>	Duresist Grate <b>556.00</b>
<b>-G</b>	Galvanized Cast Iron <b>1,379.00</b>
<b>-HP</b>	Heel-Proof Grate <b>645.00</b>
⓪ <b>-PK</b>	Precast Kit <b>445.00</b>
<b>-SS</b>	Stainless Steel Mesh Liner for Bucket <b>417.00</b>
⓪ <b>-TC</b>	Neo-Loc Test Cap Gasket (3", 4" Bottom Outlet Only) <b>24.00</b>
<b>-TS</b>	Top Secured with Slotted Screws <b>129.00</b>
<b>-TSP</b>	Trap Seal Protection Device (Size Matches Drain Outlet Selected, See Z1072) <b>POA</b>
<b>-VP</b>	Vandal-Proof Secured Top <b>149.00</b>
<b>-YA</b>	Aluminum Sediment Bucket <b>380.00</b>

DEDUCT	
<b>-LY</b>	Less Sediment Bucket <b>-169.00</b>
BEST SELLERS	
	LIST PRICE
Z662-3NH-DG-G-HP-VP-YA	<b>5,778.00</b>
Z662-3NH-HP-VP	<b>3,463.00</b>
Z662-3NL-HP-VP	<b>3,463.00</b>
Z662-4NH	<b>2,669.00</b>
Z662-4NH-DG	<b>3,225.00</b>
Z662-4NH-G	<b>4,048.00</b>
Z662-4NH-PK	<b>3,114.00</b>
Z662-4NH-PK-G	<b>4,493.00</b>
Z662-4NH-PK-G-VP	<b>4,642.00</b>
Z662-4NL	<b>2,669.00</b>
Z662-6IP-DG-VP	<b>3,454.00</b>
Z662-6NH	<b>2,669.00</b>
Z662-6NH-G	<b>4,048.00</b>
Z662-6NH-HP-VP	<b>3,463.00</b>

\*Regularly furnished unless otherwise specified.

Items designated as Best Sellers are most specified and are generally in stock for shipment.

⓪ This symbol denotes a product that is engineered to reduce installation and rework time.

For additional product information, please visit [www.zurn.com](http://www.zurn.com)

## Z662-HF 16" HEAVY-DUTY DRAIN WITH HIGH FLOW DUCTILE IRON GRATE



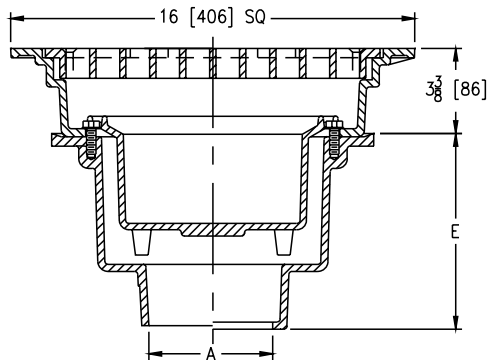
### ENGINEERING SPECIFICATION

Zurn Z662-HF 16" square top drain features Dura-Coated cast iron body with bottom outlet, seepage pan, and combination membrane flashing clamp and frame for heavy-duty, high flow ductile iron grate with suspended sediment bucket.

### NOTES

†Add 3/16" to 3-3/8" through 3-5/8" dimension and 11/16" to 16" dimension for ZB and ZN

A Pipe Size inch [mm]	Grate Open Area sq in [cm <sup>2</sup> ]	Approximate Weight lb [kg]
3 [76], 4 [102]	103 [665]	86 [39]
6 [152]		89 [40]



PREFIXES	DESCRIPTION	PIPE SIZE	LIST PRICE
Z662-HF*	D.C.C.I. Body and Top	3", 4", 6"	3,288.00
ZB662-HF	D.C.C.I. Body with Polished Bronze Top	3", 4", 6"	4,619.00
ZN662-HF	D.C.C.I. Body with Polished Nickel Bronze Top	3", 4", 6"	4,967.00

OUTLETS (SPECIFY PIPE SIZE IN INCHES AND TYPE OF OUTLET)				
OUTLET TYPE		PIPE SIZE/OUTLET TYPE	E BODY HT. DIM.	ADD
IC	Inside Caulk	4IC, 6IC	7-3/4"	N/C
IG	Inside Caulk w/ Sealrol Gasket	4IG, 6IG	7-3/4"	N/C
IP	Threaded	4IP, 6IP	6-5/16"	80.00
NH	No-Hub	3NH, 4NH, 6NH	7-13/16"	N/C
NL	Neo-Loc	3NL, 4NL	7-3/16"	N/C
SUFFIXES				ADD
-SS	Stainless Steel Mesh Liner for Bucket			417.00
Ⓢ -TC	Neo-Loc Test Cap Gasket (3", 4" Bottom Outlet Only)			22.00
-TS	Top Secured with Slotted Screws			129.00
-VP	Vandal-Proof Secured Top			149.00
-YA	Aluminum Sediment Bucket			380.00
DEDUCT				
-LY	Less Sediment Bucket			171.00

# Z664 6" WIDE HEAVY-DUTY MODULAR TRENCH DRAIN



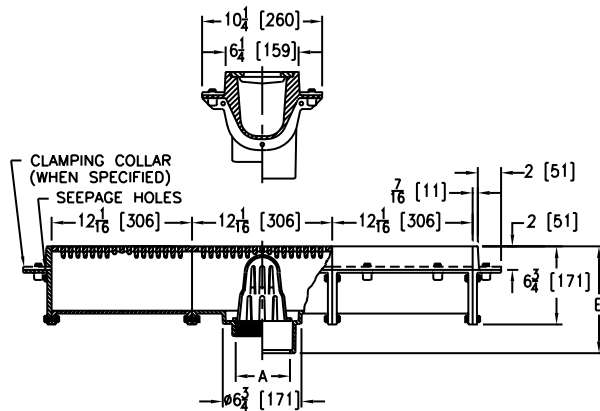
## ENGINEERING SPECIFICATION

Zurn Z664 6" wide top modular trench drain features Dura-Coated cast iron drain section with bottom outlet and secondary dome strainer. Both 12" long outlet module and extension modules are complete with integral seepage pan and loose heavy-duty, slotted, heel-proof grate.

## NOTES

†Add 1/8 [203] to 'E' and 2" dimension for ZB and ZN

A Pipe Size inch [mm]	Grate Open Area sq in [cm <sup>2</sup> ]	Approximate Weight lb [kg]
2 [51], 3 [76], 4 [102]	14 [90]	35 [16]



PREFIXES	DESCRIPTION	PIPE SIZE	LIST PRICE
Z664*	D.C.C.I. Body and Top	2", 3", 4"	1,033.00
ZB664	D.C.C.I. Body with Polished Bronze Top	2", 3", 4"	2,204.00
ZN664	D.C.C.I. Body With Veneers (304SS Standard)	2", 3", 4"	2,327.00

OUTLETS (SPECIFY PIPE SIZE IN INCHES AND TYPE OF OUTLET)			
OUTLET TYPE	PIPE SIZE/OUTLET TYPE	E BODY HT. DIM.	ADD
IC	Inside Caulk	2IC, 3IC, 4IC	9-1/8" N/C
IP	Threaded	2IP, 3IP, 4IP	9-1/8" 80.00
NH	No-Hub (IP w/Z1040)	2NH, 3NH, 4NH	- N/C
NL	Neo-Loc	2NL, 3NL, 4NL	8-3/8" N/C

SUFFIXES	ADD
-AR	Acid Resisting Epoxy Coated Cast Iron (Per Section) 520.00
-C	Clamp Collar (Per Section) 158.00
-DG	Duresist Grate (Per Section) 325.00
-ES	12" Extension Section (Specify Number of Sections Required)
	Z 1,033.00
	ZB 2,204.00
	ZN 2,327.00

-G	Galvanized Cast Iron (Per Section)	323.00
-M	Side Outlet Adapter Via End Plate	290.00
-SQ	Square Hole Grate (Per Section) (Z Only)	767.00
-TS	Top Secured with Slotted Screws (Per Section)	181.00
-V	Backwater Valve (See Z1099) (Per Outlet)	-
-VP	Vandal-Proof Secured Top (Per Section)	242.00
-Y	Sediment Bucket (Per Outlet Section)	292.00

BEST SELLERS	LIST PRICE
Z664-4IP-ES(7)	8,344.00
Z664-4NH(8)-DG-ES(80)	91,229.00
Z664-4NH-ES(13)	14,462.00
Z664-4NL-ES(15)	16,528.00
Z664-4NL-ES(9)	10,330.00
Z664-ES	1,033.00

\*Regularly furnished unless otherwise specified.

Items designated as Best Sellers are most specified and are generally in stock for shipment.

⌚ This symbol denotes a product that is engineered to reduce installation and rework time.

For additional product information, please visit [www.zurn.com](http://www.zurn.com)

## Z665 12" WIDE HEAVY-DUTY MODULAR TRENCH DRAIN



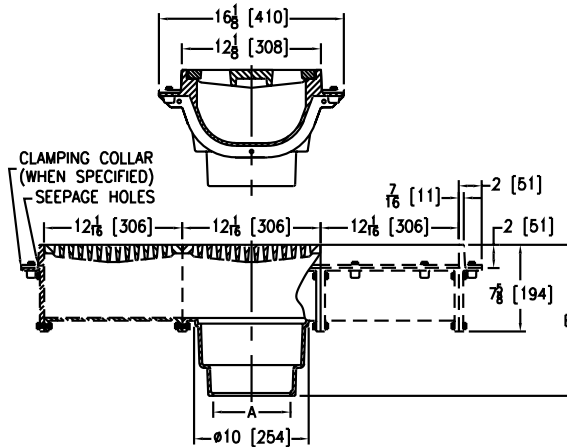
### ENGINEERING SPECIFICATION

Zurn Z665 12" wide top modular trench drain features Dura-Coated cast iron deep sump body with bottom outlet. Both 12" long outlet module and extension modules are complete with integral seepage pan and heavy-duty, loose, slotted grate.

### NOTES

†Add 1/8" to 'E' and 2" dimension for ZB and ZN

A Pipe Size inch [mm]	Grate Open Area sq in [cm <sup>2</sup> ]	Approximate Weight lb [kg]
2 [51], 3 [76], 4 [102]	35 [226]	100 [45]
5 [127], 6 [152]		110 [50]



PREFIXES	DESCRIPTION	PIPE SIZE	LIST PRICE
Z665*	D.C.C.I. Body and Top	2", 3", 4", 5", 6"	1,949.00
ZB665	D.C.C.I. Body with Polished Bronze Top	2", 3", 4", 5", 6"	2,906.00
ZN665	D.C.C.I. Body With Veneers (304SS Standard)	2", 3", 4", 5", 6"	3,051.00

OUTLETS (SPECIFY PIPE SIZE IN INCHES AND TYPE OF OUTLET)			
OUTLET TYPE	PIPE SIZE/OUTLET TYPE	E BODY HT. DIM.	ADD
IC	Inside Caulk	2IC, 3IC, 4IC, 5IC, 6IC	13-3/16" N/C
IG	Inside Caulk w/ Sealrol Gasket	2IG, 3IG, 4IG, 6IG	13-3/16" N/C
NL	Neo-Loc	2NL, 3NL, 4NL	12-1/2" N/C

SUFFIXES		ADD
-AR	Acid Resisting Epoxy Coated Cast Iron (Per Section)	764.00
-C	Clamp Collar (Per Section)	158.00
-DB	Bottom Dome Strainer (Per Outlet Section)	285.00
-DG	Duresist Grate (Per Section)	712.00
-ES	12" Extension Section (Specify Number of Sections Required)	Z 1,949.00 ZB 2,857.00 ZN 3,051.00
-G	Galvanized Cast Iron (Per Section)	641.00
-HP	Heel-Proof Grate (Per Section) (ZB and ZN only)	645.00
-M	Side Outlet Adapter Via End Plate	382.00
-SB	Shallow Body (Bucket not available with this option.)	N/C
-SQ	Square Slotted Medium-Duty Grate (Per Section)	N/C
-TC	Neo-Loc Test Cap Gasket (2", 3", 4" NL Bottom Outlet Only)	24.00
-TS	Top Secured with Slotted Screws (Per Section)	181.00
-VP	Vandal-Proof Secured Top (Per Section)	242.00
-Y	Sediment Bucket (Per Outlet Section)	561.00

BEST SELLERS		LIST PRICE
Z665-3NL(3)-DB-DG-ES(12)		40,770.00
Z665-3NL-ES(23)		46,776.00
Z665-4NL		1,949.00
Z665-4NL-DB-DG-ES(8)		24,234.00
Z665-4NL-ES(18)		37,031.00
Z665-4NL-ES(19)		38,980.00
Z665-4NL-ES(23)		46,776.00
Z665-4NL-ES(31)		62,368.00
Z665-4NL-Y-ES(8)		18,102.00
Z665-6IG		1,949.00
Z665-6IG-ES(53)		105,246.00

## Z667 6" WIDE MEDIUM-DUTY MODULAR TRENCH DRAIN



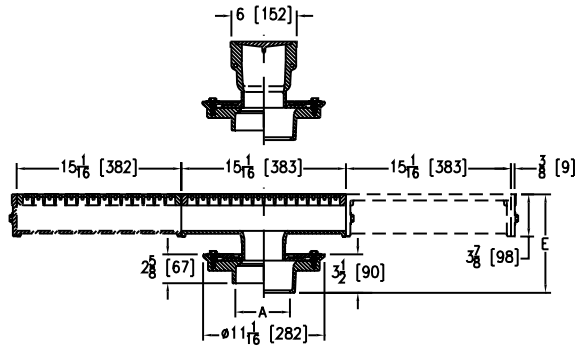
### ENGINEERING SPECIFICATION

Zurn Z667 6" wide top sectional trench drain features Dura-Coated cast iron bottom outlet section, vertically and horizontally adjustable in cast iron drain section, with seepage pan and membrane clamp. Both 15" long outlet module section and extension modules are complete with loose, medium-duty, slotted grate.

### NOTES

†Add 1/8" to 'E' dimension for ZN

A Pipe Size inch [mm]	Grate Open Area sq in [cm <sup>2</sup> ]	Approximate Weight lb [kg]
3 [76], 4 [102]	27 [174]	40 [18]



PREFIXES	DESCRIPTION	PIPE SIZE	LIST PRICE
Z667*	D.C.C.I. Body and Top	3", 4"	1,008.00
ZN667	D.C.C.I. Body with Polished Nickel Bronze Top	3", 4"	2,258.00

OUTLETS (SPECIFY PIPE SIZE IN INCHES AND TYPE OF OUTLET)				
OUTLET TYPE	PIPE SIZE/ OUTLET TYPE	E BODY HT. DIM.	ADD	
NL	Neo-Loc	3NL, 4NL	7-15/16" min.; 8-11/16" max.	N/C

SUFFIXES	ADD
-AR	Acid Resisting Epoxy Coated Cast Iron (Per Section) 544.00
-ES	15" Extension Section (Specify Number of Sections Required) Z 1,008.00 ZN 2,258.00
-G	Galvanized Cast Iron (Per Section) 308.00
-TC	Neo-Loc Test Cap Gasket (3", 4" NL Bottom Outlet Only) 24.00
-TS	Top Secured with Slotted Screws (Per Section) 181.00
-VP	Vandal-Proof Secured Top (Per Section) 242.00

BEST SELLERS	LIST PRICE
Z667-3NL-ES(1)	2,016.00
Z667-3NL-ES(2)	3,024.00
Z667-4NL-ES(7)	8,064.00

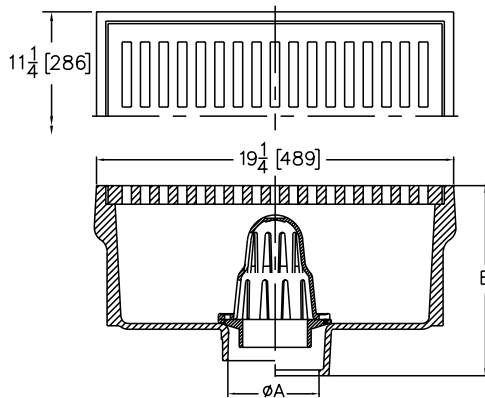
## Z668 11-1/4" X 19-1/4" HEAVY-DUTY DRAIN



### ENGINEERING SPECIFICATION

Zurn Z668 11-1/4" x 19-1/4" top drain features Dura-Coated cast iron body with bottom outlet, less seepage pan, secondary strainer, and loose, heavy-duty, slotted grate.

A Pipe Size inch [mm]	Grate Open Area sq in [cm <sup>2</sup> ]	Approximate Weight lb [kg]
4 [102], 6 [152]	60 [387]	115 [52]



PREFIXES	DESCRIPTION	PIPE SIZE	LIST PRICE
Z668*	D.C.C.I. Body and Top	4", 6"	6,280.00

OUTLETS (SPECIFY PIPE SIZE IN INCHES AND TYPE OF OUTLET)				
OUTLET TYPE	PIPE SIZE/OUTLET TYPE	E BODY HT. DIM.	ADD	
IC	Inside Caulk	4IC, 6IC	10-1/4"	N/C
IG	Inside Caulk w/ Sealrol Gasket	4IG, 6IG	10-1/4"	N/C
IP	Threaded	4IP, 6IP	8-5/8"	80.00
NH	No-Hub (IP w/ Z1040)	4NH, 6NH	11-1/8"	N/C
NL	Neo-Loc	4NL	9-1/2"	N/C

SUFFIXES	ADD
-AR	Acid Resisting Epoxy Coated Cast Iron 3,789.00
-DG	Duresist Grate 1,971.00
-G	Galvanized Cast Iron 3,288.00
-TC	Neo-Loc Test Cap Gasket (4" NL Bottom Outlet Only) 24.00
-TS	Top Secured with Slotted Screws 211.00
-V	Backwater Valve (See Z1099) -
-VP	Vandal-Proof Secured Top 242.00

BEST SELLERS	LIST PRICE
Z668-4NH	6,280.00
Z668-6NH	6,280.00

\*Regularly furnished unless otherwise specified.

Items designated as Best Sellers are most specified and are generally in stock for shipment.

⌚ This symbol denotes a product that is engineered to reduce installation and rework time.

For additional product information, please visit [www.zurn.com](http://www.zurn.com)

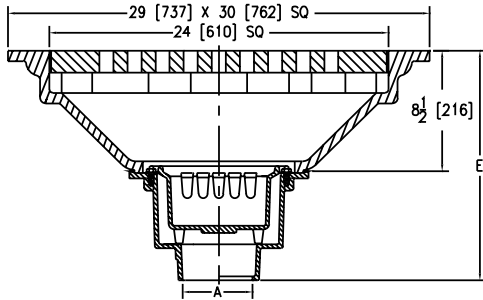
## Z673 29" X 30" EXTRA HEAVY-DUTY DRAIN



### ENGINEERING SPECIFICATION

Zurn Z673 29" x 30" top drain features Dura-Coated cast iron body with bottom outlet, seepage pan, and combination membrane flashing clamp and frame for cast iron, extra heavy-duty, loose, slotted grate with suspended sediment bucket.

A Pipe Size inch [mm]	Grate Open Area sq in [cm <sup>2</sup> ]	No. of Grates	Approximate Weight lb [kg]
4 [102]	166 [1071]	2	294 [133]
6 [152]			314 [142]



PREFIXES	DESCRIPTION	PIPE SIZE	LIST PRICE
<b>Z673*</b>	D.C.C.I. Body and Top	4", 6"	<b>40,418.00</b>

#### OUTLETS (SPECIFY PIPE SIZE IN INCHES AND TYPE OF OUTLET)

OUTLET TYPE	PIPE SIZE/OUTLET TYPE	E BODY HT. DIM.	ADD
<b>IP</b>	Threaded	4IP	<b>80.00</b>
<b>NH</b>	No-Hub	4NH, 6NH	<b>N/C</b>

#### SUFFIXES

SUFFIXES	DESCRIPTION	ADD
<b>-DG</b>	Duresist Grate	<b>14,615.00</b>
<b>-G</b>	Galvanized Cast Iron	<b>3,658.00</b>
<b>-SS</b>	Stainless Steel Mesh Liner for Bucket	<b>417.00</b>
<b>-TS</b>	Top Secured with Slotted Screws	<b>527.00</b>
<b>-VP</b>	Vandal-Proof Secured Top	<b>604.00</b>

#### BEST SELLER

BEST SELLER	LIST PRICE
Z673-4NH	<b>40,418.00</b>

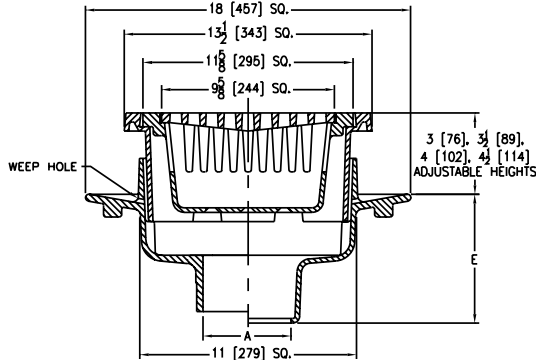
## Z675 13-1/2" EXTRA HEAVY-DUTY DRAIN



### ENGINEERING SPECIFICATION

Zurn Z675 13-1/2" square top drain features Dura-Coated cast iron body with bottom outlet, seepage pan, and vertically adjustable, four-position frame for Duresist extra heavy-duty, loose, slotted grate with suspended sediment bucket.

A Pipe Size inch [mm]	Grate Open Area sq in [cm <sup>2</sup> ]	Approximate Weight lb [kg]
3 [76], 4 [102], 6 [152]	72 [465]	110 [50]



PREFIXES	DESCRIPTION	PIPE SIZE	LIST PRICE
Z675*	D.C.C.I. Body and Duresist Top	3", 4", 6"	3,127.00

OUTLETS (SPECIFY PIPE SIZE IN INCHES AND TYPE OF OUTLET)			
OUTLET TYPE	PIPE SIZE/OUTLET TYPE	E BODY HT. DIM.	ADD
IC	Inside Caulk	4IC	7-1/8" N/C
IG	Inside Gasket	4IG	7-1/8" N/C
IP	Threaded	3IP, 4IP, 6IP	7-1/8" 80.00
NH	No-Hub (IP w/ Z1040)	3NH, 4NH, 6NH	9-5/8" See Z1040
NL	Neo-Loc	3NL, 4NL	7-5/8" N/C

SUFFIXES	ADD
-AR	Acid Resisting Epoxy Coated Cast Iron 1,785.00
-C	Clamp Collar 569.00
-G	Galvanized Cast Iron 1,691.00
-TS	Top Secured with Slotted Screws 129.00
-VP	Vandal-Proof Secured Top 149.00

BEST SELLERS	LIST PRICE
Z675-4IC-C	3,696.00
Z675-4IC-C-VP	3,845.00
Z675-4IG-AR-C-VP	5,630.00

## Z676 13-1/2" EXTRA HEAVY-DUTY DRAIN



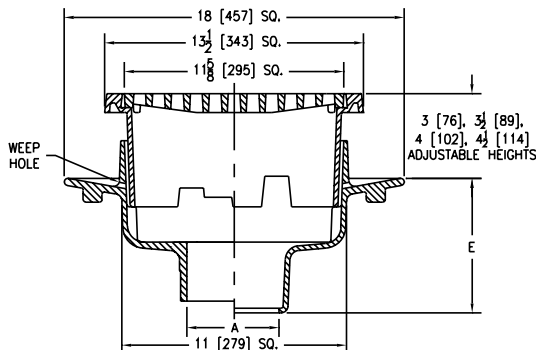
### ENGINEERING SPECIFICATION

Zurn Z676 13-1/2" square top drain features Dura-Coated cast iron body with bottom outlet, seepage pan, and vertically adjustable, four-position frame for Duresist extra heavy-duty, loose, slotted grate.

### NOTES

\*Add 3/4" to 13-1/2" dimension and 3/16" to 'E' dimension for ZN

A Pipe Size inch [mm]	Grate Open Area sq in [cm <sup>2</sup> ]	Approximate Weight lb [kg]
3 [76], 4 [102], 6 [152]	72 [465]	95 [43]



PREFIXES	DESCRIPTION	PIPE SIZE	LIST PRICE
Z676*	D.C.C.I. Body and Top	3", 4", 6"	2,945.00
ZN676	D.C.C.I. Body with Polished Nickel Bronze Top	3", 4", 6"	4,286.00

OUTLETS (SPECIFY PIPE SIZE IN INCHES AND TYPE OF OUTLET)			
OUTLET TYPE	PIPE SIZE/OUTLET TYPE	E BODY HT. DIM.	ADD
IC	Inside Caulk	4IC	7-1/8" N/C
IG	Inside Gasket	4IG	7-1/8" N/C
IP	Threaded	3IP, 4IP, 6IP	7-1/8" 80.00
NH	No-Hub (IP w/ Z1040)	3NH, 4NH, 6NH	9-5/8" See Z1040
NL	Neo-Loc	3NL, 4NL	7-5/8" N/C

SUFFIXES	ADD
-AR	Acid Resisting Epoxy Coated Cast Iron 1,785.00
-C	Clamp Collar 569.00
-G	Galvanized Cast Iron 1,691.00
-TS	Top Secured with Slotted Screws 129.00
-VP	Vandal-Proof Secured Top 149.00
-Y	Sediment Bucket 184.00

BEST SELLER	LIST PRICE
Z676-6IP-G-Y	4,900.00

\*Regularly furnished unless otherwise specified.

Items designated as Best Sellers are most specified and are generally in stock for shipment.

⌚ This symbol denotes a product that is engineered to reduce installation and rework time.

For additional product information, please visit [www.zurn.com](http://www.zurn.com)

## Z730 9" TOP MEDIUM-DUTY DRAIN

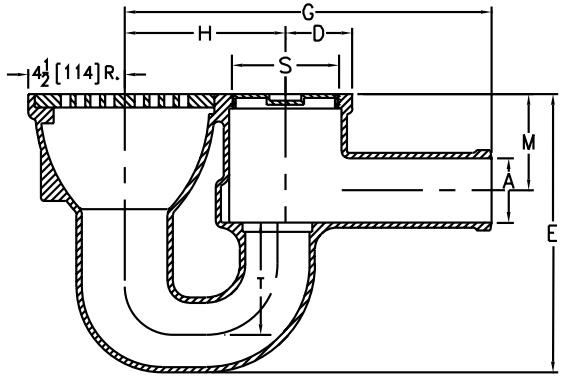


### ENGINEERING SPECIFICATION

Zurn Z730 9" diameter top drain features Dura-Coated cast iron body with integral double wall trap and side outlet, bronze floor level cleanout plug, and medium-duty, loose, slotted grate.

### NOTES

†Add 3/16" to M and E dimensions for ZN



PREFIXES	DESCRIPTION	PIPE SIZE	LIST PRICE
Z730*	D.C.C.I. Body and Top	3"	1,971.00
		4"	3,927.00
ZN730	D.C.C.I. Body with Polished Nickel Bronze Top	3"	2,731.00
		4"	2,830.00

OUTLETS (SPECIFY PIPE SIZE IN INCHES AND TYPE OF OUTLET)			
OUTLET TYPE	PIPE SIZE/OUTLET TYPE	E BODY HT. DIM.	LIST PRICE
SP	Spigot	3SP	N/C
		4SP	N/C

SUFFIXES	ADD		
-DG	Duresist Grate	257.00	
-G	Galvanized Cast Iron	748.00	
-J	Auxiliary Inlet Connection	345.00	
-K	Anchor Flange	N/C	
-P	Trap Primer Connection	150.00	
-V	Backwater Valve (See Z1099)	3"	660.00
		4"	719.00
-VP	Vandal-Proof Secured Top	149.00	
-Y	Sediment Bucket	125.00	

BEST SELLER	LIST PRICE
ZN730-3SP-K-VP-Y	3,005.00

SEE LEGACY ADDENDUM ON PAGE 369 FOR MORE INFORMATION

Dimensions in inches [mm]							Grate Open Area sq in [cm <sup>2</sup> ]	Approximate Weight lb [kg]
A Pipe Size	Cleanout Plug Size S	Rad. D	G	H	M	T		
3 [76]	4-1/2 [114] NPT	3-1/8 [79]	17-1/8 [203]	7-1/2 [191]	4-1/4 [108]	4 [102]	23 [148]	54 [24]
4 [102]	5-1/2 [140] NPT	3-5/8 [92]	19-3/8 [238]		4-3/4 [121]	5 [127]		79 [36]



## Z742 LIGHT-DUTY TRAP DRAIN

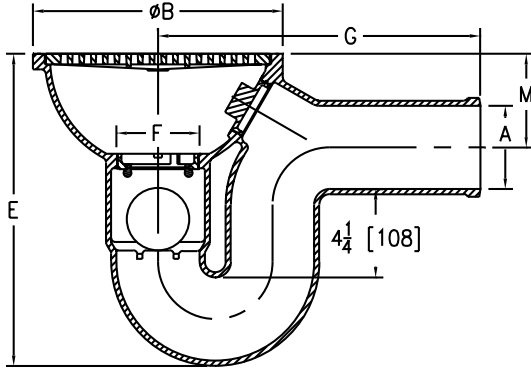


### ENGINEERING SPECIFICATION

Zurn Z742 8", 10" or 12" diameter top drain features Dura-Coated cast iron body with integral double wall trap and side outlet, ball float type backwater valve, internal bronze cleanout, and light-duty, loose, slotted grate.

### NOTES

\*Add 3/16" to 'E' dimension for ZB and ZN



Dimensions in inches [mm]					Grate Open Area sq in [cm <sup>2</sup> ]	Approximate Weight lb [kg]
A Pipe Size	F	B	G	M		
2 [51]	2 [51]	8-1/4 [210]	10-1/8 [203]	3-1/2 [89]	13 [84]	17 [8]
3 [76]	3-1/2 [89]	10-1/2 [267]	12-1/2 [318]	4 [102]	19 [122]	36 [16]
4 [102]		12 [305]	15-1/2 [140]	4-1/2 [114]	40 [258]	54 [24]

PREFIXES	DESCRIPTION	PIPE SIZE	LIST PRICE
<b>Z742*</b>	D.C.C.I. Body and Top	2"	843.00
		3"	1,161.00
		4"	1,625.00
<b>ZB742</b>	D.C.C.I. Body with Polished Bronze Top	2"	1,215.00
		3"	1,539.00
		4"	2,002.00
<b>ZN742</b>	D.C.C.I. Body with Polished Nickel Bronze Top	2"	1,254.00
		3"	1,577.00
		4"	2,035.00

OUTLETS (SPECIFY PIPE SIZE IN INCHES AND TYPE OF OUTLET)				
OUTLET TYPE		PIPE SIZE/OUTLET TYPE	E BODY HT. DIM.	LIST PRICE
SP	Spigot	2SP	10-3/4"	N/C
		3SP	12-3/4"	N/C
		4SP	15"	N/C

SUFFIXES	ADD	
-G	Galvanized Cast Iron	488.00
-TS	Top Secured with Slotted Screws	129.00
-VP	Vandal-Proof Secured Top	149.00

DEDUCT			
-LV	Less Backwater Valve	2"	-98.00
		3", 4"	-194.00

BEST SELLER		LIST PRICE
Z742-4SP		1,625.00

\*Regularly furnished unless otherwise specified.

Items designated as Best Sellers are most specified and are generally in stock for shipment.

⌚ This symbol denotes a product that is engineered to reduce installation and rework time.

For additional product information, please visit [www.zurn.com](http://www.zurn.com)

## Z761 12-1/2" X 12-1/2" HEAVY-DUTY DRAIN

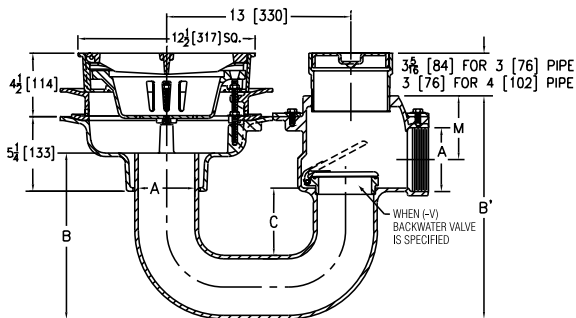


### ENGINEERING SPECIFICATION

Zurn Z761 12-1/2" x 12-1/2" square top drain features Dura-Coated cast iron body with bottom outlet, seepage pan, and combination membrane flashing clamp and frame for heavy-duty cast iron hinged slotted grate with suspended sediment bucket, complete with threaded side outlet deep seal trap with seepage pan and adjustable cleanout with bronze plug.

### NOTES

†Add 3/16" to 4-1/2" dimension and 3/16" to 12-1/2" dimension for ZN



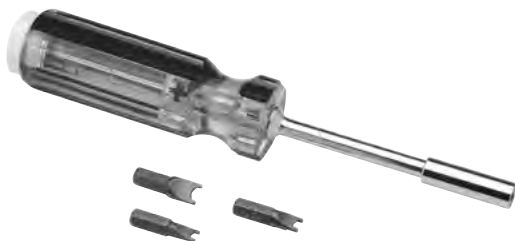
Dimensions in inches [mm]					Grate Open Area sq in [cm <sup>2</sup> ]	Approximate Weight lb [kg]
A Pipe Size	B	B'	C	M		
3 [76]	12-1/2 [318]	13-1/2 [343]	4-3/4 [121]	4 [102]	43 [277]	140 [64]
4 [102]	9-1/4 [235]	15-3/4 [400]	5 [127]	4-1/2 [114]		145 [66]

PREFIXES	DESCRIPTION	PIPE SIZE	LIST PRICE
Z761*	D.C.C.I. Body and Grate	3"	4,875.00
		4"	5,375.00
ZN761	D.C.C.I. Body with Polished Nickel Bronze Grate	3"	6,342.00
		4"	6,839.00
OUTLETS (SPECIFY PIPE SIZE IN INCHES AND TYPE OF OUTLET)			
OUTLET TYPE	PIPE SIZE/OUTLET TYPE		LIST PRICE
IP	Threaded	3IP, 4IP	N/C
SUFFIXES			ADD
-C	Clamp Collar		118.00
-DG	Duresist Grate		615.00
-G	Galvanized Cast Iron		1,905.00
-P	Trap Primer Connection		150.00
-TS	Top Secured with Slotted Screws		129.00
-V	Backwater Valve	3"	668.00
		4"	724.00
-VP	Vandal-Proof Secured Top		149.00

## VP-DRIVER VANDAL-PROOF DRIVER

### ENGINEERING SPECIFICATION

Zurn vandal proof screwdriver



PREFIXES	DESCRIPTION	LIST PRICE
VP-Driver	Vandal-Proof Driver	37.00
SUFFIXES		ADD
-RB	Replacement Bits (#8, #10, and #14)	20.00

# TRAPS, PRIMERS, AND BACKWATER VALVES

TRAPS, PRIMERS, AND BACKWATER VALVES – APPLICATION INDEX	160
TRAPS, PRIMERS, AND BACKWATER VALVES – OPTIONS AND VARIATIONS	160
<b>Z1072</b> ZSHIELD™ BARRIER TRAP SEAL DEVICE FOR FLOOR DRAINS	161
<b>Z1000</b> DEEP SEAL TRAP	162
<b>Z1005</b> DEEP SEAL TRAP WITH ADJUSTABLE COVER	162
<b>Z1012</b> DEEP SEAL TRAP WITH FLOOR CLEANOUT	163
<b>Z1019</b> FUNNEL DRAIN WITH "P" TRAP	163
<b>Z1020XL</b> ELECTRONIC TRAP PRIMER	164
<b>Z1021</b> WATER SAVER TRAP PRIMER WITH 1-1/2" COPPER SWEAT WALL CONNECTION	164
<b>Z1022-XL</b> LEAD-FREE SANI-GARD AUTOMATIC TRAP PRIMER	165
<b>Z1023</b> TRAP PRIMER CONNECTION ADAPTER	165
<b>Z1024</b> FIXED AIR GAP	166
<b>Z1025</b> FIXED AIR GAP	166
<b>Z1030</b> HUB ADAPTER	167
<b>Z1032</b> INSIDE CAULK REDUCER	167
<b>Z1033</b> FEMALE PIPE THREAD REDUCER	168
<b>Z1034</b> FEMALE PIPE ECCENTRIC REDUCER	168
🕒 <b>Z1035</b> FLOOR DRAIN INSTALLATION STABILIZER	169
🕒 <b>Z1035-Q</b> STRUCTURAL DECK DRAIN STABILIZER	169
🕒 <b>Z1036</b> FLOOR DRAIN INSTALLATION STABILIZER	170
<b>Z1040</b> NO-HUB ADAPTER	170
<b>Z1042</b> ELBOW ADAPTER	171
<b>Z1088</b> BACKWATER VALVE GATE TYPE	171
<b>Z1090</b> BACKWATER VALVE FLAPPER TYPE	172
<b>Z1091</b> BACKWATER VALVE FLAPPER TYPE	172
<b>Z1095</b> BACKWATER VALVE FLAPPER TYPE	173
<b>Z1099</b> BACKWATER VALVE BALL FLOAT TYPE	174

## TRAPS, PRIMERS, AND BACKWATER VALVES – APPLICATION INDEX

APPLICATION	RECOMMENDED DRAINAGE PRODUCT
Deep Seal Trap	Z1000, Z1005, Z1012, Z1019, Z1021
Trap Primer	Z1020, Z1021, Z1022
Trap Primer Connection Adapter	Z1023
Fixed Air Gap	Z1024, Z1025
Pipe Thread to Hub Adapter	Z1030
Inside Caulk Reducing Ring	Z1032
Iron Pipe Flush Bushing	Z1033
Eccentric Iron Pipe Threaded Bushing	Z1034
Floor Drain Stabilizer Plate	Z1035, Z1035-Q, Z1036
Pipe Thread to 90° No-Hub Adapter	Z1040
Pipe Thread to 90° No-Hub Elbow Adapter	Z1042
Gate Type Sanitary Sewer Backwater Valve	Z1088
Storm Sewer Backwater Valve	Z1088, Z1090, Z1091, Z1095
Bottom Outlet Floor Drain Backwater Valve	Z1099

## TRAPS, PRIMERS, AND BACKWATER VALVES – OPTIONS AND VARIATIONS

All Zurn backwater valve and trap optional variations are specified as a prefix and/or suffix letter or number added to the series designation. Below are the available options.

PREFIXES	DESCRIPTION	SUFFIXES	DESCRIPTION
<b>Z</b>	Standard Assembly or D.C.C.I. Body	<b>-DU3</b>	3-Outlet Distribution Unit
<b>ZAB</b>	Bronze Body with Polished Bronze Top	<b>-DU4</b>	4-Outlet Distribution Unit
<b>ZABN</b>	Bronze Body with Polished Nickel Bronze Top	<b>-FC</b>	Adjustable Floor Cleanout (See Z1400)
<b>ZARB</b>	All Plain Bronze Body	<b>-FL</b>	Flushing Connection
<b>ZB</b>	D.C.C.I. Body with Polished Bronze Top	<b>-F6</b>	6" Diameter Funnel
<b>ZN</b>	D.C.C.I. Body with Polished Nickel Bronze Top	<b>-G</b>	Galvanized Cast Iron
		<b>-LC</b>	Less Cleanout and Plug
<b>SUFFIXES</b>	<b>DESCRIPTION</b>	<b>-P</b>	Trap Primer Connection (1/2" or 3/4")
<b>-AR</b>	Acid Resisting Epoxy Coated Finish	<b>-V</b>	Backwater Valve
<b>-BP</b>	Bronze Threaded Plug Cover	<b>-WH</b>	Wheel Handle
<b>-BC</b>	Bolted Cover	<b>-WL</b>	One-Piece Waste Elbow
<b>-BV</b>	Bronze Flapper Valve	<b>-3</b>	3/4" Connection
<b>-C</b>	Clamping Collar	<b>-7</b>	7" Long Adapter
<b>-CP</b>	Chrome-Plated Finish	<b>-12</b>	12" Extension
<b>-DS</b>	Dome Strainer	<b>-24</b>	24" Extension
<b>-DU</b>	Additional Distribution Units		
<b>-DU2</b>	2-Outlet Distribution Unit		

# Z1072 ZSHIELD™ BARRIER TRAP SEAL DEVICE FOR FLOOR DRAINS

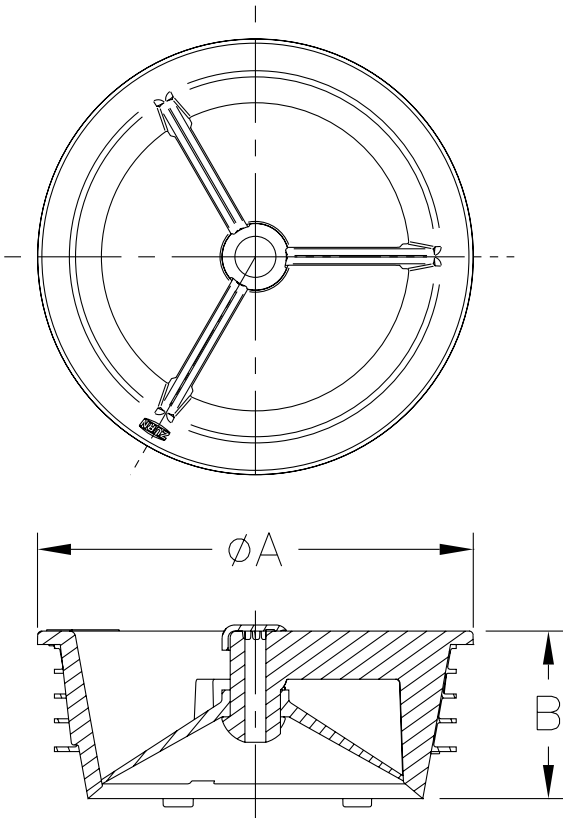


## ENGINEERING SPECIFICATION

Zurn Z1072 ZShield Barrier trap seal device for use with floor drains to minimize trap evaporation. Product is comprised of an ABS rigid structure, silicone gasket and seal for 2", 3", 3-1/2", and 4" sizes. Device is engineered to comply with the performance requirements of ASSE 1072 standard and is third party listed with IAPMO (UPC), ICC (ICC cES PMG) and ASSE.

## NOTE

-TSP Suffix Option listed on select drains



Product Designation	Dimensions in inches [mm]		ASSE 1072 Required Flow Rate G.P.M [L.P.M]
	A Pipe Size	B	
-2	2.20 [56]	1.22 [31]	12 [45.4]
-3	3.25 [83]	1.25 [32]	34 [128.7]
-3.5	3.53 [90]	1.30 [33]	52 [196.8]
-4	4.13 [105]	1.30 [33]	73 [276.4]

PREFIXES	DESCRIPTION	PRODUCT DESIG.	PIPE SIZE	LIST PRICE
Z1072	ABS Rigid Body with Silicone Gasket and Seal	-2	2"	POA
		-3	3"	POA
		-3.5	3-1/2"	POA
		-4	4"	POA

\*Regularly furnished unless otherwise specified.

Items designated as Best Sellers are most specified and are generally in stock for shipment.

🕒 This symbol denotes a product that is engineered to reduce installation and rework time.

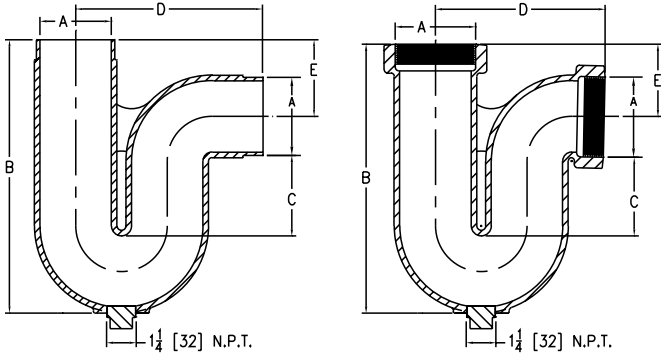
For additional product information, please visit [www.zurn.com](http://www.zurn.com)

## Z1000 DEEP SEAL TRAP



### ENGINEERING SPECIFICATION

Zurn Z1000 deep seal trap features Dura-Coated cast iron body with bottom bronze cleanout plug.



BEST SELLERS	LIST PRICE
Z1000-3NH-P	823.00
Z1000-4NH	1,006.00

A Pipe Size/ Outlet Type	Dimensions in inches [mm]				Approximate Weight lb [kg]
	B	C	D	E	
<b>Threaded (IP)</b>					
2IP	9-1/2 [241]	4 [102]	5-7/8 [149]	1-3/4 [44]	8 [4]
3IP	13 [330]	5 [127]	7-1/2 [191]	3 [76]	17 [8]
4IP	15 [381]		9-1/2 [241]	4 [102]	32 [15]
<b>No-Hub (NH)</b>					
2NH	10-1/2 [267]	4 [102]	6-1/2 [165]	2-3/4 [70]	8 [4]
3NH	13-1/2 [343]	5 [127]	8 [203]	3-1/2 [89]	17 [8]
4NH	15-1/4 [387]		9-1/2 [241]	4-1/4 [108]	32 [15]

PREFIXES	DESCRIPTION	A PIPE SIZE	LIST PRICE
Z1000*	D.C.C.I. Body	2"	438.00
		3"	673.00
		4"	1,006.00

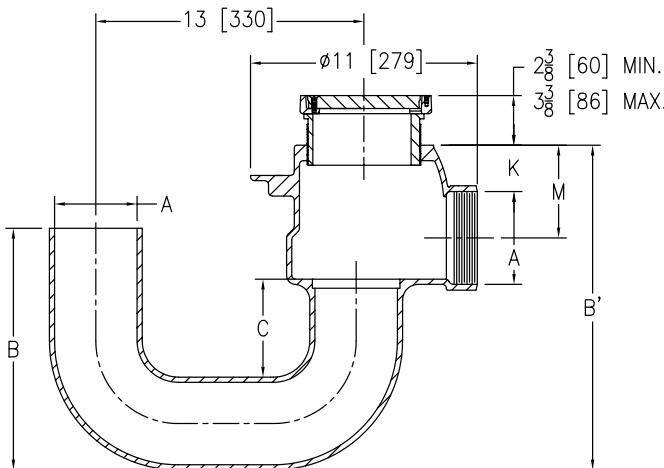
CONNECTION DESIGNATION (SPECIFY PIPE SIZE IN INCHES AND TYPE OF CONNECTION)			
CONNECTION TYPE	PIPE SIZE/OUTLET TYPE	ADD	
IP	Threaded	2IP, 3IP, 4IP	
NH	No-Hub	2NH, 3NH, 4NH	
SUFFIXES	PIPE SIZE	ADD	
-FL	Flushing Connection	150.00	
-G	Galvanized Cast Iron	2"	125.00
		3"	295.00
		4"	466.00
-P	Trap Primer Connection (Specify 1/2" or 3/4")	150.00	

## Z1005 DEEP SEAL TRAP WITH ADJUSTABLE COVER



### ENGINEERING SPECIFICATION

Zurn Z1005 deep seal trap features Dura-Coated cast iron body with no-hub inlet for use with bottom outlet drain, female threaded outlet connection with anchoring flange, and adjustable, floor level, gasketed, secured cast iron cover.



A Pipe Size/ Outlet Type	Dimensions in inches [mm]					Approximate Weight lb [kg]
	B	B'	C	K	M	
<b>Threaded (IP)</b>						
3IP	12-1/2 [318]	13-1/2 [343]	4-3/4 [121]	1-1/4 [32]	4 [102]	75 [34]
4IP	9-1/4 [235]	15-3/4 [400]	5 [127]	1-3/4 [44]	4-1/2 [114]	85 [39]

PREFIXES	DESCRIPTION	A PIPE SIZE	LIST PRICE
Z1005*	D.C.C.I. Body and Top	3"	2,501.00
		4"	2,941.00
ZB1005	D.C.C.I. Body with Polished Scoriated Bronze Top	3"	2,783.00
		4"	3,226.00
ZN1005	D.C.C.I. Body with Polished Scoriated Nickel Bronze Top	3"	2,875.00
		4"	3,315.00

CONNECTION DESIGNATION (SPECIFY PIPE SIZE IN INCHES AND TYPE OF CONNECTION)			
CONNECTION TYPE	PIPE SIZE/OUTLET TYPE	ADD	
IP	Threaded	3IP, 4IP	
SUFFIXES	PIPE SIZE	ADD	
-C	Clamping Collar	116.00	
-G	Galvanized Cast Iron Body	977.00	
-V	Backwater Valve	3"	668.00
		4"	724.00

For additional product information, please visit [www.zurn.com](http://www.zurn.com)

\*Regularly furnished unless otherwise specified.

Items designated as Best Sellers are most specified and are generally in stock for shipment.

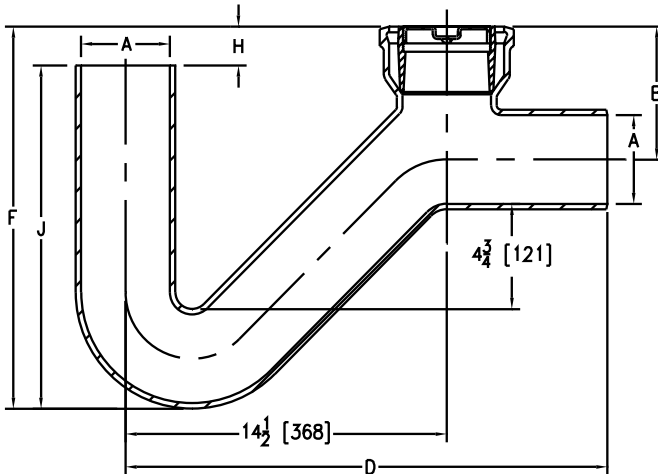
Ⓢ This symbol denotes a product that is engineered to reduce installation and rework time.

## Z1012 DEEP SEAL TRAP WITH FLOOR CLEANOUT



### ENGINEERING SPECIFICATION

Zurn Z1012 deep seal trap features Dura-Coated cast iron body for use with bottom outlet drain, cast iron floor cleanout, and plug for caulking into top hub cleanout opening.



A Pipe Size/ Outlet Type	Dimensions in inches [mm]					Approximate Weight lb [kg]
	B	D	F	H	J	
<b>No-Hub (NH)</b>						
2NH	4-3/4 [121]	16-1/2 [419]	12-3/4 [324]	1/4 [6]	12-1/2 [318]	43 [20]
3NH	5-1/2 [140]	21-1/2 [546]	15 [381]	1-1/4 [32]	12-3/4 [324]	45 [20]
4NH	6 [152]	21-3/4 [552]	17 [432]	1-3/4 [44]	15-1/2 [394]	47 [21]

PREFIXES	DESCRIPTION	A PIPE SIZE	LIST PRICE
Z1012*	D.C.C.I. Body	2"	1,051.00
		3"	2,574.00
		4"	1,531.00

CONNECTION DESIGNATION (SPECIFY PIPE SIZE IN INCHES AND TYPE OF CONNECTION)			
CONNECTION TYPE	PIPE SIZE/OUTLET TYPE	ADD	
NH	No-Hub	2NH, 3NH, 4NH	N/C
SUFFIXES			
ADD			
-FC	Adjustable Floor Cleanout (See Z1406)	-	
-G	Galvanized Cast Iron Body	527.00	
		PIPE SIZE	DEDUCT
-LC	Less Cleanout and Plug	2", 3"	150.00
		4"	206.00

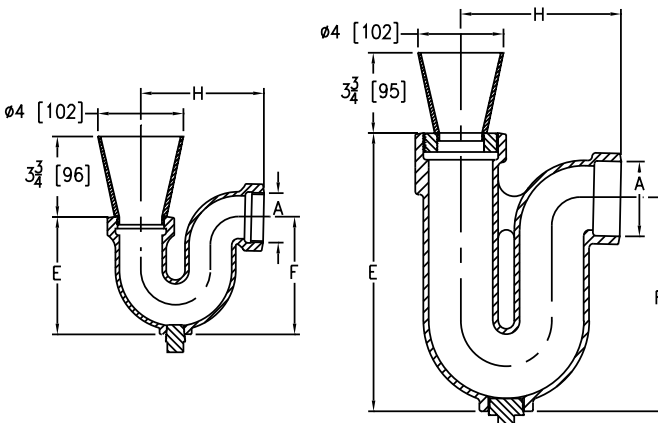
SEE LEGACY ADDENDUM ON PAGE 369 FOR MORE INFORMATION

## Z1019 FUNNEL DRAIN WITH "P" TRAP



### ENGINEERING SPECIFICATION

Zurn Z1019 Dura-Coated cast iron combination funnel and trap drain comes complete with bronze bottom cleanout plug.



A Pipe Size/ Outlet Type	Dimensions in inches [mm]			Approximate Weight lb [kg]
	E	F	H	
<b>Threaded (IP)</b>				
2IP	4-1/4 [108]	5-1/2 [140]	5-3/4 [146]	10 [5]
3IP	13 [330]	10 [254]	7-1/2 [191]	19 [9]

PREFIXES	DESCRIPTION	A PIPE SIZE	LIST PRICE
Z1019*	D.C.C.I. Body and Top	2"	729.00
		3"	850.00
ZAB1019	Bronze Body with Polished Bronze Top	2"	1,298.00
		3"	1,415.00
ZABN1019	Bronze Body with Polished Nickel Bronze Top	2"	1,372.00
		3"	1,489.00

CONNECTION DESIGNATION (SPECIFY PIPE SIZE IN INCHES AND TYPE OF CONNECTION)			
CONNECTION TYPE	PIPE SIZE/OUTLET TYPE	ADD	
IP	Threaded	2IP, 3IP	N/C
SUFFIXES			
ADD			
-AR	Acid Resisting Epoxy Coated Finish	285.00	
-DS	Dome Strainer	64.00	
-F6	6" High x 6" Diameter Funnel	Z	109.00
		ZAB, ZABN	165.00
-G	Galvanized Cast Iron Body	308.00	
BEST SELLER			LIST PRICE
Z1019-2IP			729.00

\*Regularly furnished unless otherwise specified.

Items designated as Best Sellers are most specified and are generally in stock for shipment.

⌚ This symbol denotes a product that is engineered to reduce installation and rework time.

For additional product information, please visit [www.zurn.com](http://www.zurn.com)

## Z1020XL ELECTRONIC TRAP PRIMER



### ENGINEERING SPECIFICATION

Zurn Z1020XL factory programmed, 5-port, lead-free electronic trap primer provides a six second water injection to traps every twenty-four hours.<sup>†</sup> Trap primer features a galvanized steel combination surface or recessed housing and cover, 1/2" solder copper inlet connection, brass ball-type stop valve, slow-closing 24 VAC solenoid valve with integral strainer, 120-24 VAC transformer, brass atmospheric vacuum breaker, PEX waterway, and anti-scaling multi-port manifold with five 1/2" male PEX outlet connections.

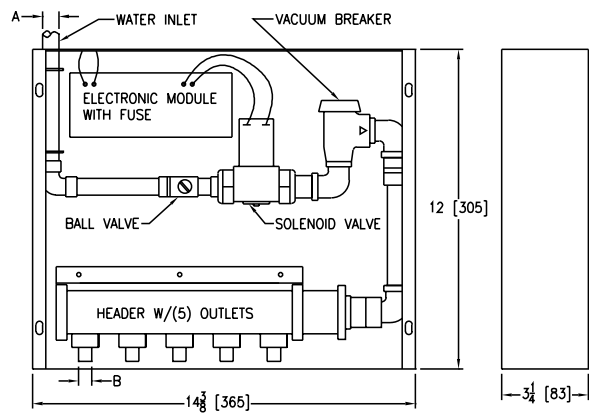
Min. Pressure: 3 psi  
 Working Pressure: 20 to 100 psig  
 Default Settings:  
 -Frequency: 24 hours  
 -Injection Time: 6 seconds  
 -Volume: 2 oz. min. per port

### NOTE

<sup>†</sup>Regularly furnished unless otherwise specified. Alternative flow settings are available upon request.

Dimensions in inches [mm]		Approximate Weight lb [kg]
A Inlet Pipe Size	B Outlet Pipe Size	
1/2 [13] Solder	1/2 [13] PEX Connection	12 [5]

PREFIXES	DESCRIPTION	LIST PRICE
<b>Z1020XL*</b>	PEX Waterway	<b>4,491.00</b>
SUFFIXES		ADD
<b>-CW</b>	Copper Waterway (with 1/2" Female IPS Connection)	<b>488.00</b>
<b>-DU4</b>	Additional Distribution Units with Copper Waterway (Specify quantity. Contact Zurn for sizing specifications)	<b>388.00</b>
<b>-VP</b>	Vandal-Proof Secured Cover with Vandal-Proof Driver	<b>58.00</b>
<b>-10</b>	Ten Outlets	<b>610.00</b>
BEST SELLERS		LIST PRICE
Z1020XL-10		<b>5,101.00</b>
Z1020XL-10-CW		<b>5,589.00</b>
Z1020XL-5		<b>4,491.00</b>
Z1020XL-5-CW		<b>4,979.00</b>



## Z1021 WATER SAVER TRAP PRIMER WITH 1-1/2" COPPER SWEAT WALL CONNECTION

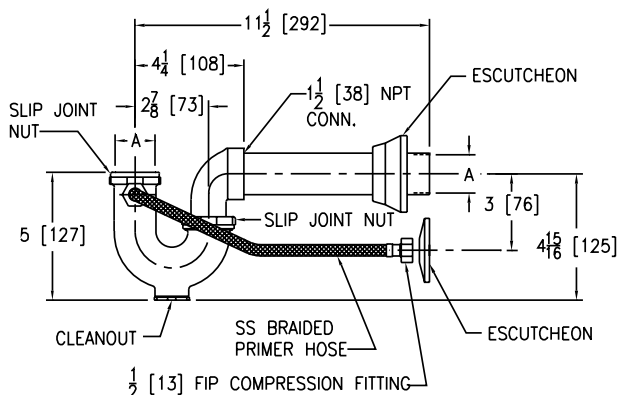


### ENGINEERING SPECIFICATION

Zurn 1021 water saver trap primer features chrome-plated, polished cast brass body with cleanout, ground joint elbow with 1-1/2" NPT outlet, 1-1/2" slip nuts and washers, and reducing washer for 1-1/4" sink tail piece hookup, escutcheons, and stainless steel braided primer hose with 1/2" FIP compression fittings.

Dimensions in inches [mm]		Approximate Weight lb [kg]
A Pipe Size		
1-1/2 [38]		2 [1]

PREFIXES	DESCRIPTION	LIST PRICE
<b>Z1021*</b>	Polished Chrome Plated	<b>582.00</b>
SUFFIXES		ADD
<b>-WL</b>	One-piece Waste Elbow (For Slip Joint Wall Connection)	<b>102.00</b>
BEST SELLERS		LIST PRICE
Z1021-1-1/2		<b>582.00</b>
Z1021-1-1/2-WL		<b>684.00</b>



For additional product information, please visit [www.zurn.com](http://www.zurn.com)

<sup>†</sup>Regularly furnished unless otherwise specified.

Items designated as Best Sellers are most specified and are generally in stock for shipment.

Ⓢ This symbol denotes a product that is engineered to reduce installation and rework time.



## Z1022-XL LEAD-FREE SANI-GARD AUTOMATIC TRAP PRIMER

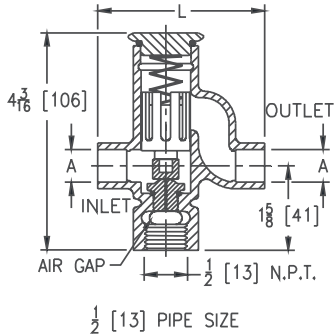


Patented



### ENGINEERING SPECIFICATION

Zurn Z1022-XL lead-free sani-gard automatic trap primer features an all bronze body with integral vacuum breaker, non-liming internal operating piston, stainless steel spring, removable bronze seat with metering orifice, and sealed bronze cover.



Dimensions in inches [mm]		Approximate Weight lb [kg]
A Pipe Size/Connection	L	
1/2 [13] Solder Female 1/2 [13] IP Female	3-7/32 [82]	1 [0.5]
1/2 [13] Solder Female Union	5-21/32 [144]	1.5 [0.7]
1/2 [13] IP Female Union	5-11/32 [136]	

PREFIXES	DESCRIPTION	LIST PRICE
Z1022-XL*	All Plain Bronze Body	Combine with connection type for pricing

CONNECTION DESIGNATION (SPECIFY PIPE SIZE IN INCHES AND TYPE OF CONNECTION)		
CONNECTION TYPE	PIPE SIZE/OUTLET TYPE	ADD
SF	1/2" Solder Female	293.00
IP	1/2" IP Female	293.00
SFU	1/2" Solder Female Union	446.00
IPU	1/2" IP Female Union	446.00

SUFFIXES	ADD	
-CP	Chrome-Plated Finish	98.00
-DU2	2-Outlet Distribution Unit	303.00
-DU3	3-Outlet Distribution Unit	345.00
-DU4	4-Outlet Distribution Unit	388.00
-RK	Repair Kit	142.00

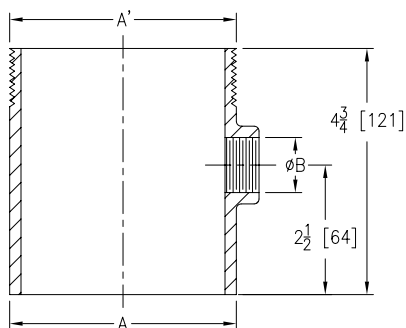
BEST SELLERS	LIST PRICE
Z1022-XL-1/2-IP	293.00
Z1022-XL-1/2-IPU	446.00
Z1022-XL-1/2-SF	293.00
Z1022-XL-1/2-SFU	446.00

## Z1023 TRAP PRIMER CONNECTION ADAPTER



### ENGINEERING SPECIFICATION

Zurn Z1023 trap primer connection adapter features Dura-Coated cast iron body with 1/2" female threaded side inlet trap primer connection.



Dimensions in inches [mm]		Approximate Weight lb [kg]
A x A'	B	
<b>No-Hub x No-Hub</b>		
2NH x 2NH	1/2 [13]	2 [1]
3NH x 3NH		4 [2]
4NH x 4NH		6 [3]
<b>Threaded x No-Hub</b>		
2IP x 2NH	1/2 [13]	2 [1]
3IP x 3NH		4 [2]
4IP x 4NH		6 [3]

PREFIXES	DESCRIPTION	PIPE SIZE	LIST PRICE
Z1023*	D.C.C.I. Body	2", 3", 4"	Combine with connection type for pricing

CONNECTION DESIGNATION (SPECIFY PIPE SIZE IN INCHES AND TYPE OF CONNECTION)		
CONNECTION TYPE	PIPE SIZE/OUTLET TYPE	ADD
NH x NH	No-Hub x No-Hub 2NH x 2NH, 3NH x 3NH, 4NH x 4NH	194.00
IP x NH	Threaded x No-Hub 2IP x 2NH, 3IP x 3NH, 4IP x 4NH	194.00

SUFFIXES	ADD	
-G	Galvanized Cast Iron Body	98.00

BEST SELLERS	LIST PRICE
Z1023-2NH	194.00
Z1023-3NH	194.00
Z1023-4NH	194.00

\*Regularly furnished unless otherwise specified.

Items designated as Best Sellers are most specified and are generally in stock for shipment.

⌚ This symbol denotes a product that is engineered to reduce installation and rework time.

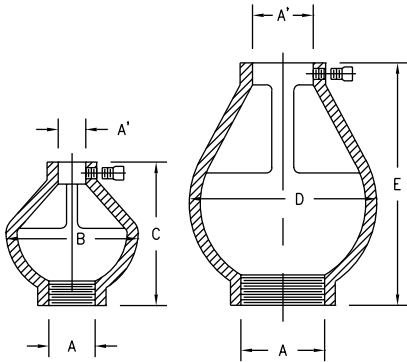
For additional product information, please visit [www.zurn.com](http://www.zurn.com)

## Z1024 FIXED AIR GAP



### ENGINEERING SPECIFICATION

Zurn Z1024 fixed air gap features Dura-Coated cast iron body with slip joint inlet and NPT outlet.



Product Designation	Dimensions in inches [mm]					Approximate Weight lb [kg]
	A' x A SJ x N.P.T.	B	C	D	E	
-1	1/4 [6] x 3/4 [19]	3 [76]	3-1/4 [83]	-	-	1 [0.5]
-2	1/2 [13] x 3/4 [19]	-	-	4-1/4 [108]	5-1/2 [140]	3 [1]
-3	1/2 [13] x 1 [25]	-	-			
-4	3/4 [19] x 1-1/2 [38]	-	-			
-5	1 [25] x 1-1/2 [38]	-	-	-	-	-

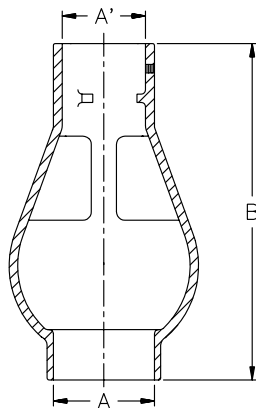
PREFIXES	DESCRIPTION	PRODUCT DESIG.	PIPE SIZE/OUTLET TYPE	LIST PRICE
<b>Z1024*</b>	D.C.C.I. Body	-1	1/4SJ x 3/4N.P.T.	<b>314.00</b>
		-2	1/2SJ x 3/4N.P.T.	<b>314.00</b>
		-3	1/2SJ x 1N.P.T.	<b>343.00</b>
		-4	3/4SJ x 1-1/2N.P.T.	<b>436.00</b>
		-5	1SJ x 1-1/2N.P.T.	<b>436.00</b>
<b>SUFFIXES</b>				<b>ADD</b>
<b>-G</b>	Galvanized Cast Iron			<b>206.00</b>
<b>BEST SELLER</b>				<b>LIST PRICE</b>
		Z1024-5		<b>436.00</b>

## Z1025 FIXED AIR GAP



### ENGINEERING SPECIFICATION

Zurn Z1025 fixed air gap features Dura-Coated cast iron body with slip joint inlet and no-hub outlet.



Product Designation	Dimensions in inches [mm]		Approximate Weight lb [kg]
	A' x A SJ x NH	B	
-2	1-1/2 [38] x 2 [51]	10 [254]	4 [2]
-3	2 [51] x 3 [76]		8 [4]
-4	3 [76] x 4 [102]		20 [9]
-6	4 [102] x 6 [152]		32 [15]

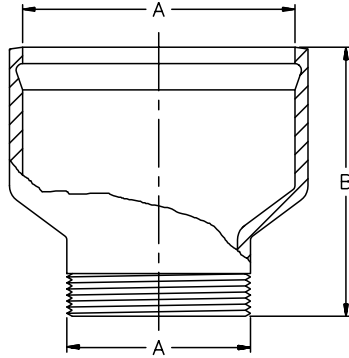
PREFIXES	DESCRIPTION	PRODUCT DESIG.	PIPE SIZE/OUTLET TYPE	LIST PRICE
<b>Z1025*</b>	D.C.C.I. Body	-2	1-1/2SJ x 2NH	<b>302.00</b>
		-3	2SJ x 3NH	<b>365.00</b>
		-4	3SJ x 4NH	<b>532.00</b>
		-6	4SJ x 6NH	<b>1,253.00</b>
<b>ZARB1025</b>	All Plain Bronze Body	-2	1-1/2SJ x 2NH	<b>660.00</b>
		-3	2SJ x 3NH	<b>990.00</b>
		-4	3SJ x 4NH	<b>1,302.00</b>
		-6	4SJ x 6NH	<b>3,531.00</b>
<b>SUFFIXES</b>				<b>ADD</b>
<b>-G</b>	Galvanized Cast Iron			<b>206.00</b>
<b>BEST SELLERS</b>				<b>LIST PRICE</b>
		Z1025-2		<b>302.00</b>
		Z1025-4		<b>532.00</b>

## Z1030 HUB ADAPTER



### ENGINEERING SPECIFICATION

Zurn Z1030 hub adapter features Dura-Coated cast iron with male NPT threaded and hub connections.



Product Designation	Dimensions in inches [mm]		Approximate Weight lb [kg]
	Pipe Size		
	A	B	
-2	2 [51]	4-1/4 [108]	3 [1]
-3	3 [76]	4-3/8 [111]	5 [2]
-4	4 [102]	4-3/4 [121]	6 [3]
-6	6 [152]	5 [127]	9 [4]

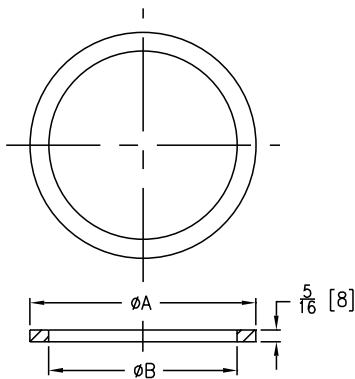
PREFIXES	DESCRIPTION	PRODUCT DESIG.	PIPE SIZE/OUTLET TYPE	LIST PRICE
<b>Z1030*</b>	D.C.C.I. Body with Threaded x Hub Connection Type	-2	2IP x 2HB	<b>98.00</b>
		-3	3IP x 3HB	<b>178.00</b>
		-4	4IP x 4HB	<b>242.00</b>
		-6	6IP x 6HB	<b>455.00</b>
SUFFIXES		PIPE SIZE	ADD	
<b>-G</b>	Galvanized Cast Iron	2", 3", 4"		<b>81.00</b>
		6"		<b>125.00</b>

## Z1032 INSIDE CAULK REDUCER



### ENGINEERING SPECIFICATION

Zurn Z1032 inside caulk features Dura-Coated cast iron reducing ring.



Product Designation	Dimensions in inches [mm]		Approximate Weight lb [kg]
	Pipe Size		
	A	B	
-3 x 2	3 [76]	2 [51]	1 [0.5]
-4 x 2	4 [102]		
-4 x 3		3 [76]	
-6 x 4	6 [152]	4 [102]	1.5 [0.7]
-6 x 5		5 [127]	

PREFIXES	DESCRIPTION	PRODUCT DESIG.	LIST PRICE
<b>Z1032*</b>	Dura-Coated Cast Iron Reducing Ring	-3 x 2	<b>47.00</b>
		-4 x 2	<b>58.00</b>
		-4 x 3	<b>79.00</b>
		-6 x 4	<b>118.00</b>
		-6 x 5	<b>140.00</b>

\*Regularly furnished unless otherwise specified.

Items designated as Best Sellers are most specified and are generally in stock for shipment.

🕒 This symbol denotes a product that is engineered to reduce installation and rework time.

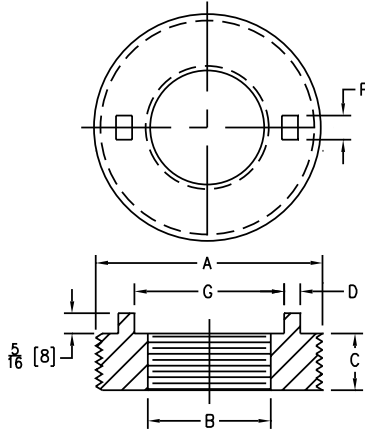
For additional product information, please visit [www.zurn.com](http://www.zurn.com)

## Z1033 FEMALE PIPE THREAD REDUCER



### ENGINEERING SPECIFICATION

Zurn Z1033 female pipe thread reducer features cast iron construction and is available in ranging sizes.



PREFIXES	DESCRIPTION	PRODUCT DESIG.	LIST PRICE
Z1033*	Male Thread x Female Thread Cast Iron Reducer	-1 x .75	84.00
		-1.5 x 1.25	84.00
		-2 x 1.25	84.00
		-2 x 1.5	84.00
		-3 x 1.5	99.00
		-3 x 2	189.00
		-4 x 2	107.00
		-4 x 3	107.00
		-6 x 4	140.00
		-6 x 5	140.00

SEE LEGACY ADDENDUM ON PAGE 369 FOR MORE INFORMATION

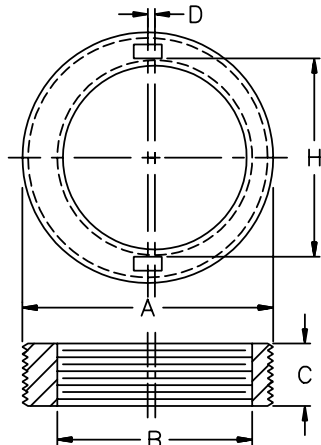
Product Designation	Dimensions in inches [mm]						Approximate Weight lb [kg]
	A	B	C	D	F	G	
-1 x .75	1 [25]	3/4 [19]	7/16 [11]	-	-	-	.5 [.25]
-1.5 x 1.25	1-1/2 [38]	1-1/4 [32]	1/2 [13]	-	-	-	
-2 x 1.25	2 [51]		1-1/2 [38]	9/16 [14]	1/8 [3]	3/8 [9]	1-29/32 [48]
-2 x 1.5		7/8 [22]		1/4 [6]	2-5/16 [59]		
-3 x 1.5	3 [76]	2 [51]	1-1/8 [29]		5/16 [8]	1/2 [13]	2-35/64 [65]
-3 x 2				3-1/16 [78]			3 [1]
-4 x 2	4 [102]	3 [76]	1-1/8 [29]	5/16 [8]	1/2 [13]	3-37/64 [91]	2 [1]
-4 x 3						5-1/8 [130]	6 [3]
-6 x 4	6 [152]	4 [102]	1-1/8 [29]	5/16 [8]	1/2 [13]	5-21/32 [144]	3.75 [2]
-6 x 5						5 [127]	

## Z1034 FEMALE PIPE ECCENTRIC REDUCER



### ENGINEERING SPECIFICATION

Zurn Z1034 female pipe thread eccentric reducer features cast iron construction and is available in a range of sizes.



Product Designation	Dimensions in inches [mm]					Approximate Weight lb [kg]
	A	B	C	D	H	
-3 x 2	3 [76]	2 [51]	7/8 [22]	3/16 [5]	2-5/8 [67]	1 [0.5]
-4 x 2	4 [102]			11/16 [17]	3 [76]	3 [1]
-4 x 3		3 [76]	1-1/8 [29]	1/8 [3]	3-9/16 [90]	1.5 [0.7]

PREFIXES	DESCRIPTION	PRODUCT DESIG.	LIST PRICE
Z1034*	Female Pipe Thread Cast Iron Reducer	-3 x 2	158.00
		-4 x 2	140.00
		-4 x 3	264.00

SEE LEGACY ADDENDUM ON PAGE 369 FOR MORE INFORMATION

## 🕒 Z1035 FLOOR DRAIN INSTALLATION STABILIZER



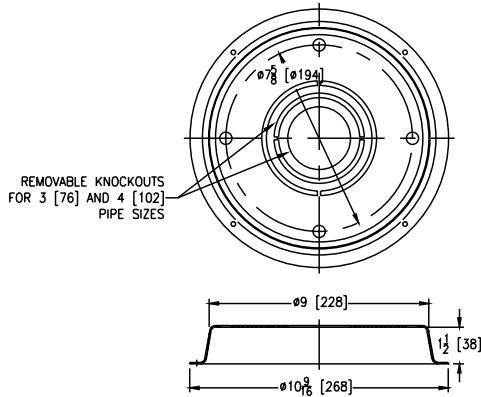
Patented

### ENGINEERING SPECIFICATION

Zurn Z1035 floor drain installation stabilizer features #20 gage, galvanized steel plate with variable pipe opening, four support stud holes, and four nail holes. Complete with hardware bag containing four 3/8"-16 x 12" long studs and eight 3/8"-16 flanged locknuts.

### NOTE

- 7-5/8" diameter stud holes are used to accommodate 8-3/8" diameter drain body. (To be used with no-hub and Neo-Loc outlet connections only.)
- For typical installation, see Form No. FD72.



### Dimensions in inches [mm]

Pipe Size	Pipe Opening Diameter
2 [51]	2-9/16 [65]
3 [76]	3-11/16 [94]
4 [102]	4-11/16 [119]

PREFIXES	DESCRIPTION	PIPE SIZE	LIST PRICE
Z1035*	Galvanized Steel Plate	2", 3", 4"	138.00



ZN415 Floor Drain with Z1035 Stabilizer

## 🕒 Z1035-Q STRUCTURAL DECK DRAIN STABILIZER



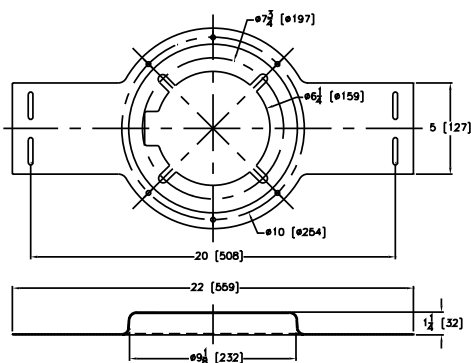
Patented

### ENGINEERING SPECIFICATION

Zurn Z1035-Q structural deck drain stabilizer for Q-deck features #16 gage galvanized steel plate with four support stud slots, and six (6) nail holes. Complete with hardware bag containing four 3/8"-16 x 12" long studs and eight 3/8"-16 flanged locknuts.

### NOTE

Designed for use with 8-3/8" diameter drain body.



PREFIXES	DESCRIPTION	LIST PRICE
Z1035-Q*	Galvanized Steel Plate	184.00



ZN158 Floor Drain with Z1035-Q Stabilizer

\*Regularly furnished unless otherwise specified.

Items designated as Best Sellers are most specified and are generally in stock for shipment.

🕒 This symbol denotes a product that is engineered to reduce installation and rework time.

For additional product information, please visit [www.zurn.com](http://www.zurn.com)

## 🕒 Z1036 FLOOR DRAIN INSTALLATION STABILIZER



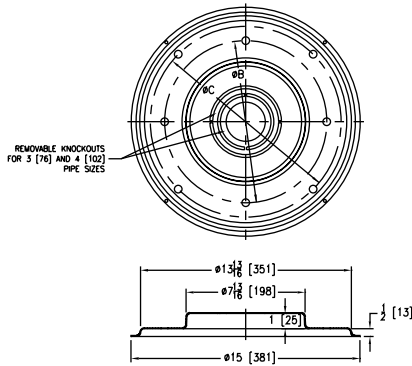
Patented

### ENGINEERING SPECIFICATION

Zurn Z1036 floor drain installation stabilizer features #16 gage, galvanized steel plate with variable pipe opening, eight support stud holes, and four nail holes. Complete with hardware bag containing four 3/8"-16 x 12" long studs and eight 3/8"-16 flanged locknuts.

### NOTE

- 'B' diameter stud holes are used to accommodate 12" diameter drain body. 'C' diameter stud holes are used to accommodate 15" diameter drain body. (To be used with no-hub and Neo-Loc outlet connections only.)
- For typical installation, see Form No. FD72.



### Dimensions in inches [mm]

Pipe Size	Pipe Opening Diameter	B	C
2 [51]	2-9/16 [65]	10-5/8 [270]	12-1/2 [318]
3 [76]	3-11/16 [94]		
4 [102]	4-11/16 [119]		

PREFIXES	DESCRIPTION	PIPE SIZE	LIST PRICE
Z1036*	Galvanized Steel Plate	2", 3", 4"	148.00



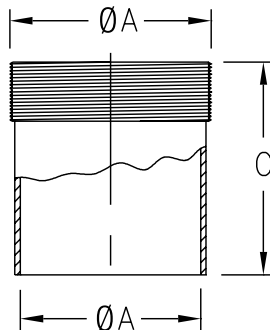
ZN150 Floor Drain with Z1036 Stabilizer

## Z1040 NO-HUB ADAPTER



### ENGINEERING SPECIFICATION

Zurn Z1040 no-hub adapter features Dura-Coated cast iron with male NPT threaded and no-hub connections.



Product Designation	Dimensions in inches [mm]		Approximate Weight lb [kg]
	A Pipe Size	C	
-2	2 [51]	3-1/2 [89]	1 [0.5]
-3	3 [76]		2 [1]
-4	4 [102]		3 [1]
-5	5 [127]		4 [2]
-6	6 [152]		5 [2]
-8	8 [203]		8 [4]
-10	10 [254]		11 [5]
-12	12 [305]		23 [10]

PREFIXES	DESCRIPTION	PRODUCT DESIG.	PIPE SIZE/OUTLET TYPE	LIST PRICE
Z1040*	D.C.C.I. Body with Male Thread x No-Hub Connection Type	-2	2IP x 2NH	98.00
		-3	3IP x 3NH	140.00
		-4	4IP x 4NH	219.00
		-5	5IP x 5NH	532.00
		-6	6IP x 6NH	668.00
		-8	8IP x 8NH	742.00
		-10	10IP x 10NH	885.00
		-12	12IP x 12NH	1,108.00

SUFFIXES	ADD
-G	Galvanized Cast Iron 87.00

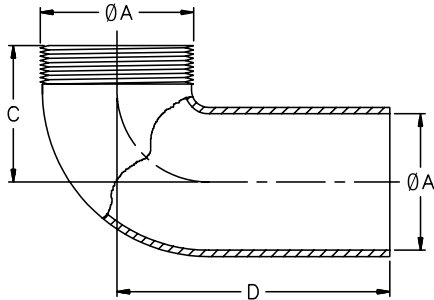
BEST SELLERS	LIST PRICE
Z1040-3NH	140.00
Z1040-4NH	219.00
Z1040-6NH	668.00

## Z1042 ELBOW ADAPTER



### ENGINEERING SPECIFICATION

Zurn Z1042 elbow adapter features Dura-Coated cast iron with male NPT threaded and no-hub connections.



Product Designation	Dimensions in inches [mm]			Approximate Weight lb [kg]
	A Pipe Size	C	D	
-3	3 [76]	3-3/4 [95]	7 [178]	8 [4]
-4	4 [102]	4 [102]	8 [203]	14 [6]
-6	6 [152]	5-1/2 [140]	9 [229]	25 [11]

PREFIXES	DESCRIPTION	PRODUCT DESIG.	PIPE SIZE/OUTLET TYPE	LIST PRICE
Z1042*	D.C.C.I. Body with Male Thread and No-Hub Connection Type	-3	3IP x 3NH	532.00
		-4	4IP x 4NH	604.00
		-6	6IP x 6NH	1,357.00
SUFFIXES	PIPE SIZE			ADD
-G	Galvanized Cast Iron	3"		107.00
		4"		223.00
		6"		343.00

SEE LEGACY ADDENDUM ON PAGE 369 FOR MORE INFORMATION

## Z1088 BACKWATER VALVE GATE TYPE

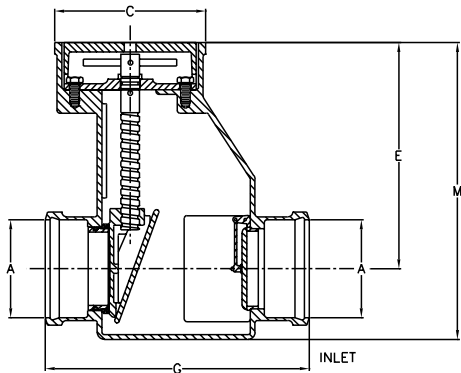


### ENGINEERING SPECIFICATION

Zurn Z1088 backwater valve features Dura-Coated cast iron body, automatic PVC (4" size only) flapper type backwater valve with O-ring adjacent to inlet, and spade type bronze gate valve with O-ring seat insert adjacent to outlet, easily controlled at floor level by covered handle engaging bronze non-rising stem.

### NOTE

Not designed nor intended to be used as a shut-off valve.



Product Designation	Dimensions in inches [mm]				Approximate Weight lb [kg]
	A Pipe Size	C	E	M	
-4	4 [102]	8 [203]	12 [305]	15-3/4 [400]	80 [36]
-6	6 [152]	10-1/2 [267]	14-1/2 [368]	19 [483]	120 [54]

PREFIXES	DESCRIPTION	PIPE SIZE	LIST PRICE
Z1088*	D.C.C.I. Body and Cover with PVC Flapper Valve, Bronze Check Valve, Gate, and Stem	4", 6"	Combine with connection type for pricing

CONNECTION DESIGNATION (SPECIFY PIPE SIZE IN INCHES AND TYPE OF CONNECTION)			
PRODUCT DESIG.	CONNECTION TYPE	PIPE SIZE/OUTLET TYPE	ADD
-4	Hub x Hub	4HB x 4HB	4,433.00
	Hub x No-Hub	4HB x 4NH	4,433.00
	No-Hub x No-Hub	4NH x 4NH	4,433.00
-6	Hub x Hub	6HB x 6HB	6,805.00
	Hub x No-Hub	6HB x 6NH	6,805.00
	No-Hub x No-Hub	6NH x 6NH	6,805.00
SUFFIXES	PIPE SIZE		ADD
-BV	Bronze Flapper Valve (4" Size)		N/C
-G	Galvanized Cast Iron Body		1,337.00
-WH	Wheel Handle		577.00
-12	12" Extension	4"	2,063.00
		6"	2,370.00
-24	24" Extension	4"	2,892.00
		6"	3,162.00
BEST SELLER			LIST PRICE
Z1088-4NH			4,433.00

\*Regularly furnished unless otherwise specified.

Items designated as Best Sellers are most specified and are generally in stock for shipment.

⌚ This symbol denotes a product that is engineered to reduce installation and rework time.

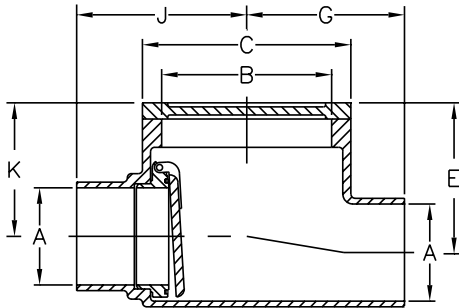
For additional product information, please visit [www.zurn.com](http://www.zurn.com)

## Z1090 BACKWATER VALVE FLAPPER TYPE



### ENGINEERING SPECIFICATION

Zurn Z1090 backwater valve features Dura-Coated cast iron body, no-hub inlet and outlet, gasketed bolted cover, and automatic PVC (3" and 4" sizes only) flapper type backwater valve with O-ring.



PREFIXES	DESCRIPTION	PRODUCT DESIG.	PIPE SIZE/OUTLET TYPE	LIST PRICE
<b>Z1090*</b>	D.C.C.I. Body with No-Hub Connection Type	-2	2NH	<b>1,298.00</b>
		-3	3NH	<b>2,031.00</b>
		-4	4NH	<b>2,501.00</b>
		-6	6NH	<b>3,597.00</b>

SUFFIXES	ADD	
<b>-BP</b>	Bronze Threaded Plug Cover	<b>N/C</b>
<b>-BV</b>	Bronze Flapper Valve (3" and 4" Size)	<b>N/C</b>
<b>-G</b>	Galvanized Cast Iron Body	<b>343.00</b>

BEST SELLERS	LIST PRICE
Z1090-2NH	<b>1,298.00</b>
Z1090-3NH	<b>2,031.00</b>
Z1090-4NH	<b>2,501.00</b>
Z1090-4NH-BV	<b>2,501.00</b>
Z1090-6NH	<b>3,597.00</b>

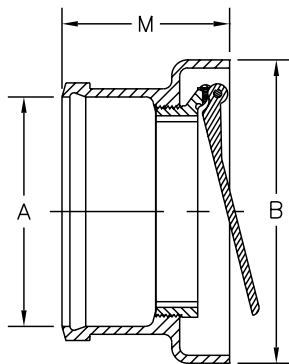
Product Designation	Dimensions in inches [mm]							Approximate Weight lb [kg]
	A Pipe Size	B	C	E	G	J	K	
-2	2 [51]	5-1/4 [133]	6-1/2 [165]	4-5/8 [117]	4-7/8 [124]	5-1/4 [133]	3-5/8 [92]	16 [7]
-3	3 [76]			4-1/8 [105]				17 [8]
-4	4 [102]	6-3/8 [162]	7-1/2 [191]	4-3/4 [121]	6 [152]	6 [152]	4-1/4 [108]	22 [10]
-6	6 [152]	8-1/4 [210]	9-1/2 [241]	7-1/2 [191]	6-5/8	7-7/16	6 [152]	34 [15]

## Z1091 BACKWATER VALVE FLAPPER TYPE



### ENGINEERING SPECIFICATION

Zurn Z1091 backwater valve features Dura-Coated cast iron body, hub inlet and open outlet for installation at end of drainage line, and automatic PVC (3" and 4" sizes only) flapper type backwater valve with O-ring.



Product Designation	Dimensions in inches [mm]			Approximate Weight lb [kg]
	A Pipe Size	B	M	
-3	3 [76]	7 [178]	5 [127]	12 [5]
-4	4 [102]	7-1/2 [191]		15 [7]
-6	6 [152]	9-1/2 [241]	5-1/4 [133]	28 [13]
-8	8 [203]	11-1/2 [292]	6 [152]	42 [19]
-10	10 [254]	14 [356]	7 [178]	58 [26]

PREFIXES	DESCRIPTION	PRODUCT DESIG.	PIPE SIZE/OUTLET TYPE	LIST PRICE
<b>Z1091*</b>	D.C.C.I. Body with Hub Connection Type	-3	3HB	<b>544.00</b>
		-4	4HB	<b>791.00</b>
		-6	6HB	<b>2,250.00</b>
		-8	8HB	<b>2,737.00</b>
		-10	10HB	<b>8,234.00</b>

SUFFIXES	PIPE SIZE	ADD	
<b>-BV</b>	Bronze Flapper Valve (3" and 4" Size)	<b>N/C</b>	
<b>-G</b>	Galvanized Cast Iron	3", 4"	<b>308.00</b>
		6"	<b>435.00</b>
		8", 10"	<b>898.00</b>

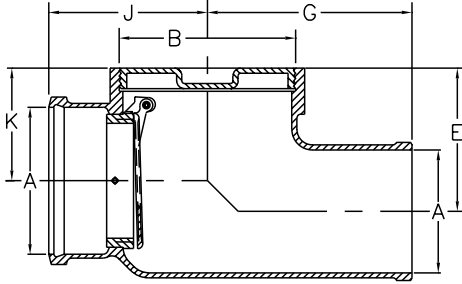


## Z1095 BACKWATER VALVE FLAPPER TYPE



### ENGINEERING SPECIFICATION

Zurn Z1095 backwater valve features Dura-Coated cast iron body, hub inlet and offset spigot outlet, bronze threaded cover, and automatic PVC (3" and 4" sizes only) flapper type backwater valve with O-ring.



PREFIXES	DESCRIPTION	PRODUCT DESIG.	PIPE SIZE/OUTLET TYPE	LIST PRICE
<b>Z1095*</b>	D.C.C.I. Body with Hub x Spigot Connection Type	-2	2HB x 2SP	<b>1,298.00</b>
		-3	3HB x 3SP	<b>2,027.00</b>
		-4	4HB x 4SP	<b>2,501.00</b>
		-6	6HB x 6SP	<b>3,596.00</b>
		-8	8HB x 8SP	<b>5,052.00</b>
		-10	10HB x 10SP	<b>8,246.00</b>

SUFFIXES	PIPE SIZE	ADD
<b>-BC</b>	Bolted Cover	<b>N/C</b>
<b>-BV</b>	Bronze Flapper Valve (3" and 4" Size)	<b>N/C</b>
<b>-G</b>	Galvanized Cast Iron	2" thru 4" <b>527.00</b>
		6" <b>876.00</b>
		8", 10" <b>1,568.00</b>

BEST SELLERS	LIST PRICE
Z1095-10HS	<b>8,246.00</b>
Z1095-6HS	<b>3,596.00</b>
Z1095-8HS	<b>5,052.00</b>

Product Designation	Dimensions in inches [mm]						Approximate Weight lb [kg]
	A Pipe Size	B	E	G	J	K	
-2	2 [51]	4 [102]	4-3/8 [111]	7 [178]	5 [127]	2-7/8 [73]	23 [10]
-3	3 [76]	5 [127]	5-1/8 [130]	8 [203]	6 [152]	3-5/8 [92]	30 [14]
-4	4 [102]	6 [152]	5-5/8 [143]	8-1/2 [216]	6-3/4 [171]	4-1/8 [105]	34 [15]
-6	6 [152]	8 [203]	6 [152]	10 [254]	7-3/4 [197]	4-1/2 [114]	57 [26]
-8	8 [203]	10 [254]	7-1/2 [191]	11-7/8 [302]	9-3/8 [238]	6 [152]	79 [36]
-10	10 [254]	12 [305]		12-3/4 [324]	10-7/8 [276]	7 [178]	102 [46]

\*Regularly furnished unless otherwise specified.

Items designated as Best Sellers are most specified and are generally in stock for shipment.

⌚ This symbol denotes a product that is engineered to reduce installation and rework time.

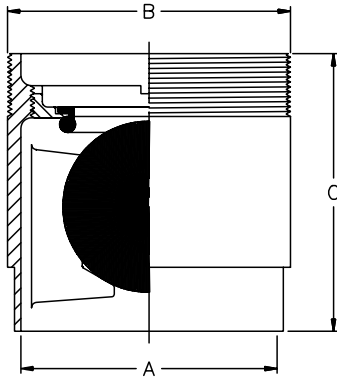
For additional product information, please visit [www.zurn.com](http://www.zurn.com)

# Z1099 BACKWATER VALVE BALL FLOAT TYPE



## ENGINEERING SPECIFICATION

Zurn Z1099 backwater valve features Dura-Coated cast iron body, plastic ball float, bronze backwater bushing, and replaceable neoprene seat.



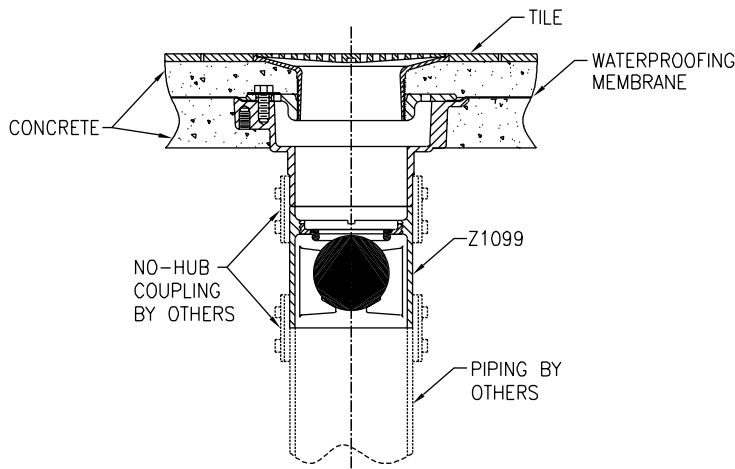
Product Designation	Dimensions in inches [mm]			Approximate Weight lb [kg]
	A Pipe Size	B	C	
-3	3 [76]	3 [76]	6-1/2 [165]	7 [3]
-4	4 [102]	4 [102]		9 [4]
-6	6 [152]	6 [152]		25 [11]

PREFIXES	DESCRIPTION	PIPE SIZE	LIST PRICE
Z1099*	D.C.C.I. Body	3" 4", 6"	<b>Combine with connection type for pricing</b>

CONNECTION DESIGNATION (SPECIFY PIPE SIZE IN INCHES AND TYPE OF CONNECTION)			
PRODUCT DESIG.	CONNECTION TYPE	PIPE SIZE/OUTLET TYPE	ADD
-3	Threaded x No-Hub	3IP x 3NH	580.00
	No-Hub x No-Hub	3NH x 3NH	580.00
-4	Threaded x No-Hub	4IP x 4NH	580.00
	No-Hub x No-Hub	4NH x 4NH	580.00
-6	Threaded x No-Hub	6IP x 6NH	1,199.00
	No-Hub x No-Hub	6NH x 6NH	1,199.00

SUFFIXES	ADD	
-G	Galvanized Cast Iron	
	3", 4"	107.00
	6"	272.00

BEST SELLERS	LIST PRICE
Z1099-3NHX2NH	580.00
Z1099-3NHX3NH	580.00
Z1099-4NHX4NH	580.00



Z1099 shown installed on the outlet of a floor drain. In order for the Z1099 to operate properly, it must always be installed in a vertical position as illustrated.

# HYDRANTS

HYDRANTS - APPLICATION INDEX	274
<b>Z1300</b> ECOLOTROL WALL HYDRANT – ENCASED, NON-FREEZE, ANTI-SIPHON, AUTOMATIC DRAINING	275
<b>Z1305</b> WALL HYDRANT – ENCASED, NON-FREEZE	275
<b>Z1310</b> ECOLOTROL WALL HYDRANT – EXPOSED, NON-FREEZE, ANTI-SIPHON, AUTOMATIC DRAINING	276
<b>Z1315</b> WALL HYDRANT – EXPOSED, NON-FREEZE	276
<b>Z1320XL</b> ECOLOTROL CERAMIC DISC WALL HYDRANT – ENCASED, NON-FREEZE, ANTI-SIPHON, AUTOMATIC DRAINING	277
🕒 <b>Z1320XL-EZ</b> ECOLOTROL CERAMIC DISC WALL HYDRANT – ENCASED, NON-FREEZE, ANTI-SIPHON, AUTOMATIC DRAINING	277
<b>Z1321XL</b> ECOLOTROL CERAMIC DISC WALL HYDRANT – EXPOSED, NON-FREEZE, ANTI-SIPHON, AUTOMATIC DRAINING	278
🕒 <b>Z1322XL-EZ</b> ECOLOTROL CERAMIC DISC WALL HYDRANT – EXPOSED, NON-FREEZE, ANTI-SIPHON, AUTOMATIC DRAINING	279
<b>Z1325</b> WALL HYDRANT – ENCASED, VARI-TEMP, NON-FREEZE	280
🕒 <b>Z1327-EZ</b> NARROW WALL HOT/COLD HYDRANT WITH MOUNTING BRACKETS – ENCASED, MODERATE CLIMATE	280
<b>Z1330XL</b> ECOLOTROL CERAMIC DISC WALL HYDRANT – ENCASED, ANTI-SIPHON, AUTOMATIC DRAINING, MODERATE CLIMATE	281
🕒 <b>Z1332XL-EZ</b> ECOLOTROL CERAMIC DISC WALL HYDRANT – ENCASED, ANTI-SIPHON, AUTOMATIC DRAINING, MODERATE CLIMATE	281
<b>Z1333XL</b> ECOLOTROL CERAMIC DISC WALL HYDRANT – EXPOSED, ANTI-SIPHON, AUTOMATIC DRAINING, MODERATE CLIMATE	282
<b>Z1335</b> WALL HYDRANT – ENCASED, MODERATE CLIMATE	282
<b>Z1350</b> NARROW WALL HYDRANT – ENCASED, MODERATE CLIMATE	283
🕒 <b>Z1350-EZ</b> NARROW WALL HYDRANT WITH MOUNTING BRACKETS – ENCASED, MODERATE CLIMATE	283
<b>Z1360XL</b> GROUND HYDRANT – ENCASED, FLUSH TYPE, NON-FREEZE	284
<b>Z1365</b> GROUND HYDRANT – ENCASED, FLUSH TYPE, NON-FREEZE	285
<b>Z1370</b> GROUND HYDRANT – ENCASED, HOSE STORAGE, NON-FREEZE	286
<b>Z1375</b> GROUND HYDRANT – ENCASED, MODERATE CLIMATE, INTERIOR USE	287
<b>Z1385</b> POST HYDRANT – EXPOSED HEAD, NON-FREEZE	287
<b>Z1388XL</b> ROOF HYDRANT – EXPOSED HEAD, NON-FREEZE	288
<b>Z1390</b> POST HYDRANT – EXPOSED HEAD, NON-FREEZE	288
<b>Z1395XL</b> YARD HYDRANT – EXPOSED HEAD, NON-FREEZE	289
<b>Z1397XL</b> FLO-TROL YARD HYDRANT – EXPOSED HEAD, NON-FREEZE	290

## HYDRANTS - APPLICATION INDEX

### WALL HYDRANTS

### NON-FREEZE/SELF-DRAINING

### MODERATE CLIMATE

Retail Outlets	Z1300, Z1305, Z1310, Z1320	Z1330, Z1335
Office Buildings	Z1300, Z1305, Z1320	Z1330, Z1335
Institutions, Hospitals, Schools	Z1300, Z1305, Z1320	Z1330, Z1335
Apartments	Z1315, Z1321	Z1333, Z1350, Z1350-EZ
Cored Wall Construction	Z1322-EZ	Z1332-EZ
Cleaning Areas, Slop Sink, Garbage Can Wash	Z1325	
Commercial/Multi-Family, Thin Wall Construction		Z1350, Z1350-EZ
Masonry Wall Construction	Z1320-EZ	
Vari-Temp (Hot/Cold)	Z1325	Z1327-EZ

### GROUND HYDRANTS

### NON-FREEZE/SELF-DRAINING

### MODERATE CLIMATE

Parks, Recreational Areas	Z1360, Z1365, Z1370, Z1390, Z1395, Z1397	
Garden Areas	Z1360, Z1370, Z1385, Z1395, Z1397	Z1375
Industrial	Z1365, Z1370, Z1390	
Supermarkets, Malls	Z1360-HD	Z1375-HD
Farms, Agricultural	Z1385, Z1390, Z1395, Z1397	
Stables	Z1385, Z1390, Z1395, Z1397	

**Note:** Any of the non-freeze/self-draining hydrants may be used in moderate climates.



XL LEAD FREE

†Zurn "XL" Lead-Free compliant products are a line of durable plumbing products designed and manufactured to comply with state laws and local codes that mandate maximum allowable lead content levels. Zurn "XL" products are manufactured in accordance to the Federal SWDA section 1417.

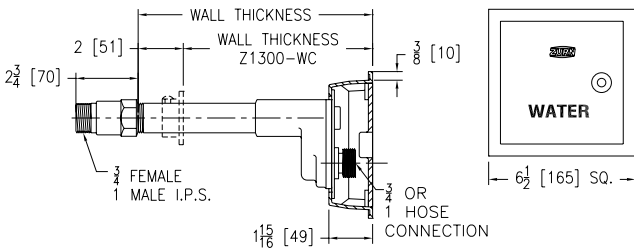
## Z1300 ECOLOTROL WALL HYDRANT – ENCASED, NON-FREEZE, ANTI-SIPHON, AUTOMATIC DRAINING



### ENGINEERING SPECIFICATION

Zurn Z1300 encased Ecotrol anti-siphon automatic draining wall hydrant is designed for flush installation. Comes complete with non-freeze type integral backflow preventer, bronze casing, all bronze interior parts, non-turning operating rod with free-floating compression closure valve, replaceable bronze seat and seat washer, and combination 3/4" female or 1" male straight IP inlet. Nickel bronze box and hinged cover include operating key lock and "WATER" cast on cover.

Wall Thickness inches [mm]	Approximate Weight lb [kg]
6 [152], 8 [203]	9 [4]
10 [254], 12 [305], 14 [356]	12 [5]
16 [406], 18 [457]	15 [7]
20 [508], 22 [559], 24 [610]	18 [8]



PRODUCT	DESCRIPTION	WALL THICKNESS	LIST PRICE
<b>Z1300*</b>	3/4" Hose Connection Nickel Bronze Box and Cover with Polished Face and Bronze Casing	6", 8"	<b>2,770.00</b>
		10", 12", 14"	<b>2,851.00</b>
		16", 18"	<b>2,989.00</b>
		20", 22", 24"	<b>3,094.00</b>
	1" Hose Connection Nickel Bronze Box and Cover with Polished Face and Bronze Casing	6", 8"	<b>2,979.00</b>
		10", 12", 14"	<b>3,062.00</b>
		16", 18"	<b>3,199.00</b>
		20", 22", 24"	<b>3,305.00</b>

SUFFIXES	ADD
<b>-CL</b>	Cylinder Lock <b>190.00</b>
<b>-RA4</b>	24" Replacement Rod Assembly Kit <b>576.00</b>
<b>-RK</b>	Hydrant Parts Repair Kit <b>333.00</b>
<b>-SS</b>	Stainless Steel Box and Cover <b>N/C</b>
<b>-WC</b>	Wall Clamp <b>N/C</b>
<b>-34FS</b>	3/4" Solder Female Inlet Adapter <b>N/C</b>
<b>-34UN</b>	3/4" IP 90° Inlet Elbow with Union Nut <b>47.00</b>

SUFFIXES	DEDUCT
<b>-PB</b>	Polished Bronze Face <b>173.00</b>

BEST SELLERS	LIST PRICE
Z1300-3/4X6	<b>2,770.00</b>
Z1300-3/4X6-SS	<b>2,770.00</b>
Z1300-3/4X6-WC	<b>2,770.00</b>
Z1300-3/4X8	<b>2,770.00</b>
Z1300-3/4X10	<b>2,851.00</b>
Z1300-3/4X12	<b>2,851.00</b>
Z1300-3/4X14	<b>2,851.00</b>
Z1300-3/4X16	<b>2,989.00</b>
Z1300-3/4X18	<b>2,989.00</b>

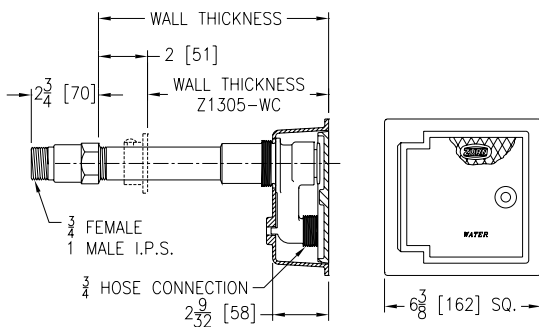
## Z1305 WALL HYDRANT – ENCASED, NON-FREEZE



### ENGINEERING SPECIFICATION

Zurn Z1305 encased, non-freeze, flush wall hydrant features bronze casing, all bronze interior parts, non-turning operating rod with free-floating compression closure valve, replaceable bronze seat and seat washer, and combination 3/4" female or 1" male straight IP inlet. Nickel bronze box and hinged cover include operating key lock and "WATER" cast on cover.

Wall Thickness inches [mm]	Approximate Weight lb [kg]
6 [152], 8 [203]	11 [5]
10 [254], 12 [305], 14 [356]	13 [6]
16 [406]	15 [7]
24 [610]	17 [8]



PRODUCT	DESCRIPTION	WALL THICKNESS	LIST PRICE
<b>Z1305*</b>	3/4" Hose Connection Nickel Bronze Box and Cover with Polished Face and Bronze Casing	6", 8"	<b>1,885.00</b>
		10", 12", 14"	<b>1,976.00</b>
		16"	<b>2,117.00</b>
		24"	<b>2,214.00</b>

SUFFIXES	ADD
<b>-RA4</b>	24" Replacement Rod Assembly Kit <b>576.00</b>
<b>-RK</b>	Hydrant Parts Repair Kit <b>333.00</b>
<b>-WC</b>	Wall Clamp <b>N/C</b>
<b>-34UN</b>	3/4" IP 90° Inlet Elbow with Union Nut <b>47.00</b>

SUFFIXES	DEDUCT
<b>-PB</b>	Polished Bronze Face <b>213.00</b>

BEST SELLERS	LIST PRICE
Z1305-3/4X6	<b>1,885.00</b>
Z1305-3/4X8	<b>1,885.00</b>
Z1305-3/4X12	<b>1,976.00</b>
Z1305-3/4X16	<b>2,117.00</b>

Items designated as Best Sellers are most specified and are generally in stock for shipment. This symbol denotes a product that is engineered to reduce installation and rework time. For additional product information, please visit [www.zurn.com](http://www.zurn.com)

\*Lead-free product. For more information, see page 274.   
 \*Regularly furnished unless otherwise specified.

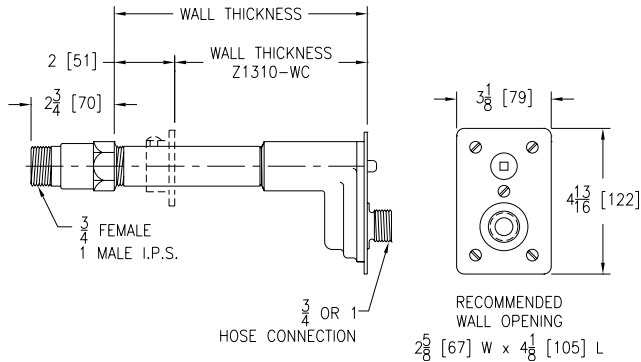
INTRO  
ROOF DRAINS  
FLOOR DRAINS  
T, P, BW VALVES  
INTERCEPTORS  
CARRIERS  
HYDRANTS  
CLEANOUTS  
W/H  
SS DRAINS  
FAB SS DRAINS  
SAN-FLOOR  
TECH INFO

## Z1310 ECOLOTROL WALL HYDRANT – EXPOSED, NON-FREEZE, ANTI-SIPHON, AUTOMATIC DRAINING



### ENGINEERING SPECIFICATION

Zurn Z1310 exposed Ecolotrol anti-siphon automatic draining wall hydrant features non-freeze integral backflow preventer, bronze casing, all bronze interior parts, non-turning operating rod with free-floating compression closure valve, replaceable bronze seat and seat washer, and combination 3/4" female or 1" male straight IP inlet. Includes stainless steel face with operating key.



Wall Thickness inches [mm]	Approximate Weight lb [kg]
4 [102], 6 [152], 8 [203]	5 [2]
10 [254], 12 [305], 14 [356]	8 [4]
16 [406], 18 [457]	11 [5]
20 [508], 22 [559], 24 [610]	14 [6]

PRODUCT	DESCRIPTION	WALL THICKNESS	LIST PRICE
Z1310*	3/4" Hose Connection Bronze Hydrant with Polished Stainless Steel Face and Bronze Casing	4", 6", 8"	1,381.00
		10", 12", 14"	1,476.00
		16", 18"	1,610.00
		20", 22", 24"	1,718.00
	1" Hose Connection Bronze Hydrant with Polished Stainless Steel Face and Bronze Casing	4", 6", 8"	1,593.00
		10", 12", 14"	1,687.00
		16", 18"	1,824.00
		20", 22", 24"	1,929.00

SUFFIXES	ADD
-RA4	24" Replacement Rod Assembly Kit 576.00
-RK	Hydrant Parts Repair Kit 333.00
-WC	Wall Clamp N/C
-34FS	3/4" Solder Female Inlet Adapter N/C
-34UN	3/4" IP 90° Inlet Elbow with Union Nut 47.00
SUFFIXES	DEDUCT
-PB	Polished Bronze Face 61.00

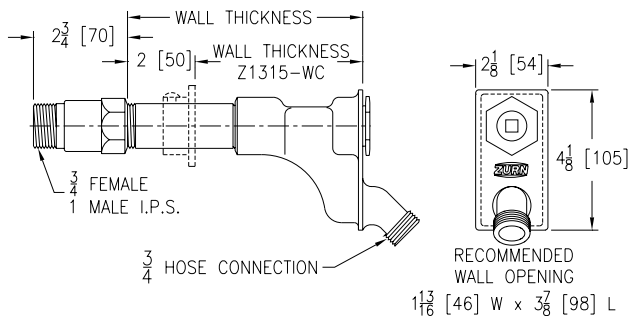
BEST SELLERS	LIST PRICE
Z1310-3/4X4	1,381.00
Z1310-3/4X6	1,381.00
Z1310-3/4X8	1,381.00
Z1310-3/4X10	1,476.00
Z1310-3/4X12	1,476.00

## Z1315 WALL HYDRANT – EXPOSED, NON-FREEZE



### ENGINEERING SPECIFICATION

Zurn Z1315 exposed, non-freeze wall hydrant features bronze casing, all bronze interior parts, non-turning operating rod with free-floating compression closure valve, replaceable bronze seat and seat washer, and combination 3/4" female or 1" male straight IP inlet. Comes complete with operating key.



Wall Thickness inches [mm]	Approximate Weight lb [kg]
4 [102], 6 [152], 8 [203]	6 [3]
10 [254], 12 [305]	8 [4]
16 [406], 18 [457]	10 [5]

PRODUCT	DESCRIPTION	WALL THICKNESS	LIST PRICE
Z1315*	3/4" Hose Connection Nickel Bronze Box and Cover with Polished Face and Bronze Casing	4", 6", 8"	1,093.00
		10", 12"	1,183.00
		16", 18"	1,319.00

SUFFIXES	ADD
-RA4	24" Replacement Rod Assembly Kit 576.00
-RK	Hydrant Parts Repair Kit 333.00
-VB	3/4" Adapter Vacuum Breaker 139.00
-WC	Wall Clamp N/C
SUFFIXES	DEDUCT
-PB	Polished Bronze Face 61.00

BEST SELLERS	LIST PRICE
Z1315-3/4X4	1,093.00
Z1315-3/4X12	1,183.00

\*Lead-free product. For more information, see page 274.  
\*Regularly furnished unless otherwise specified.

Items designated as Best Sellers are most specified and are generally in stock for shipment.  
Ⓢ This symbol denotes a product that is engineered to reduce installation and rework time.  
For additional product information, please visit [www.zurn.com](http://www.zurn.com)

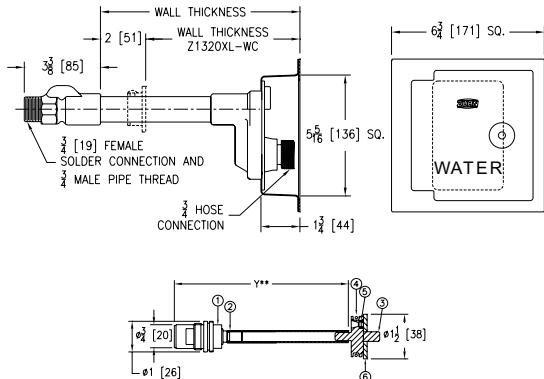
## Z1320XL ECOLOTROL CERAMIC DISC WALL HYDRANT – ENCASED, NON-FREEZE, ANTI-SIPHON, AUTOMATIC DRAINING



XL LEAD FREE

### ENGINEERING SPECIFICATION

Zurn Z1320XL encased, Ecolotrol, lead-free<sup>1</sup>, non-freeze automatic draining wall hydrant is designed for flush installation. Features integral backflow preventer, anti-siphon technology, copper casing, all bronze interior components with 1/2 turn long-life ceramic disc cartridge, combination 3/4" female solder and 3/4" male pipe thread inlet connection, and 3/4" male hose connection. Comes complete with Type 304 stainless steel housing and hinged cover that includes operating key lock and "WATER" cast on cover.



Wall Thickness inches [mm]	Approximate Weight lb [kg]
6 [152], 8 [203]	5 [2]
10 [254], 12 [305], 14 [356]	6 [3]
16 [406], 18 [457]	7 [3]
20 [508], 22 [559], 24 [610]	8 [4]
26 [660], 30 [762]	10 [5]

PRODUCT	DESCRIPTION	WALL THICKNESS	LIST PRICE
<b>Z1320XL*</b>	3/4" Hose Connection Stainless Steel Box and Face with Copper Casing	6", 8"	<b>1,567.00</b>
		10", 12", 14"	<b>1,622.00</b>
		16", 18"	<b>1,711.00</b>
		20", 22", 24"	<b>1,795.00</b>
		26", 30"	<b>1,998.00</b>

SUFFIXES	ADD	LIST PRICE
-CL	Cylinder Lock	<b>178.00</b>
-NB	Polished Nickel Bronze Face	<b>N/C</b>
-PB	Polished Bronze Face	<b>63.00</b>
-RK	Hydrant Parts Repair Kit (HYD-RK-Z1321XL/33XL)	<b>337.00</b>
-RT12	Ceramic Cartridge Removal Tool (Up to 12")	<b>50.00</b>
-RT24	Ceramic Cartridge Removal Tool (Up to 24")	<b>50.00</b>
-RT36	Ceramic Cartridge Removal Tool (Up to 36")	<b>50.00</b>
-WC	Wall Clamp	<b>N/C</b>
-34EL	3/4" 90° Solder Inlet Elbow	<b>N/C</b>
-34FIP	3/4" IP Straight Female Inlet Adapter	<b>44.00</b>

BEST SELLERS	LIST PRICE
Z1320-3/4X6	<b>1,567.00</b>
Z1320-3/4X8	<b>1,567.00</b>
Z1320-3/4X10	<b>1,622.00</b>
Z1320-3/4X12	<b>1,622.00</b>

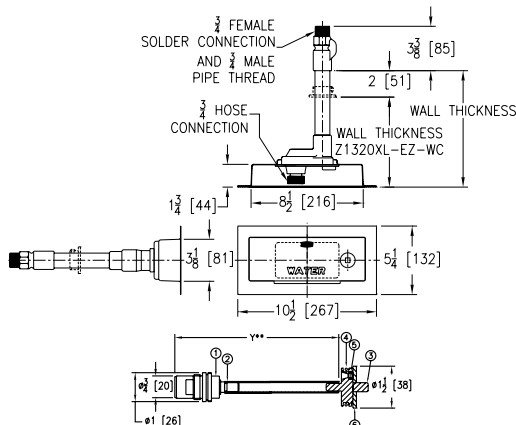
## Z1320XL-EZ ECOLOTROL CERAMIC DISC WALL HYDRANT – ENCASED, NON-FREEZE, ANTI-SIPHON, AUTOMATIC DRAINING



XL LEAD FREE

### ENGINEERING SPECIFICATION

Zurn Z1320XL-EZ encased, Ecolotrol, lead-free<sup>1</sup>, non-freeze automatic draining wall hydrant is designed for flush installation. Features integral backflow preventer, anti-siphon technology, copper casing, all bronze interior components with 1/2 turn long-life ceramic disc cartridge, combination 3/4" female solder and 3/4" male pipe thread inlet connection, and 3/4" male hose connection. Comes complete with Type 304 stainless steel housing and hinged cover that includes operating key lock and "WATER" cast on cover. Hydrant housing fits within one standard modular masonry course. Recommended wall opening: 3-3/16" X 8-1/2".



Wall Thickness inches [mm]	Approximate Weight lb [kg]
6 [152], 8 [203]	5 [2]
10 [254], 12 [305], 14 [356]	6 [3]
16 [406], 18 [457]	7 [3]
20 [508], 22 [559], 24 [610]	8 [4]
26 [660], 30 [762]	10 [5]

PRODUCT	DESCRIPTION	WALL THICKNESS	LIST PRICE
<b>Z1320XL-EZ*</b>	3/4" Hose Connection Stainless Steel Box and Face with Copper Casing	6", 8"	<b>1,550.00</b>
		10", 12", 14"	<b>1,605.00</b>
		16", 18"	<b>1,693.00</b>
		20", 22", 24"	<b>1,777.00</b>
		26", 30"	<b>1,980.00</b>

SUFFIXES	ADD	LIST PRICE
-CL	Cylinder Lock	<b>178.00</b>
-RK	Hydrant Parts Repair Kit (HYD-RK-Z1321XL/33XL)	<b>337.00</b>
-RT12	Ceramic Cartridge Removal Tool (Up to 12")	<b>50.00</b>
-RT24	Ceramic Cartridge Removal Tool (Up to 24")	<b>50.00</b>
-RT36	Ceramic Cartridge Removal Tool (Up to 36")	<b>50.00</b>
-WC	Wall Clamp	<b>N/C</b>
-34EL	3/4" IP 90° Solder Inlet Elbow	<b>N/C</b>
-34FIP	3/4" IP Straight Female Inlet Adapter	<b>44.00</b>

BEST SELLERS	LIST PRICE
Z1320XL-EZ-3/4x6	<b>1,550.00</b>
Z1320XL-EZ-3/4x10	<b>1,605.00</b>
Z1320XL-EZ-3/4x12	<b>1,605.00</b>

Items designated as Best Sellers are most specified and are generally in stock for shipment.  
 ⌚ This symbol denotes a product that is engineered to reduce installation and rework time.  
 For additional product information, please visit [www.zurn.com](http://www.zurn.com)

<sup>1</sup>Lead-free product. For more information, see page 274.  
 \*Regularly furnished unless otherwise specified.

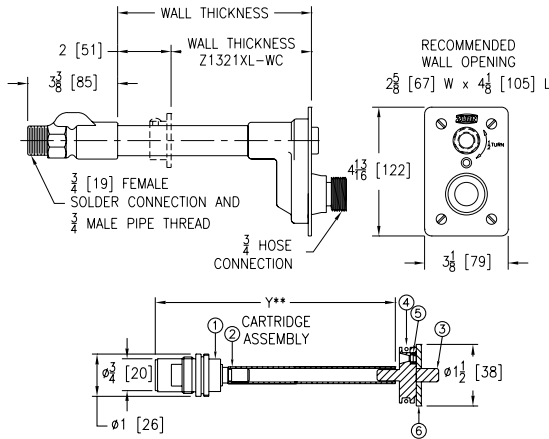
INTRO  
 ROOF DRAINS  
 FLOOR DRAINS  
 T, P, BW VALVES  
 INTERCEPTORS  
 CARRIERS  
 HYDRANTS  
 CLEANOUTS  
 W/A  
 SS DRAINS  
 FAB SS DRAINS  
 SAN-FLOOR  
 TECH INFO

# Z1321XL ECOLOTROL CERAMIC DISC WALL HYDRANT – EXPOSED, NON-FREEZE, ANTI-SIPHON, AUTOMATIC DRAINING



## ENGINEERING SPECIFICATION

Zurn Z1321XL exposed, Ecolotrol, lead-free<sup>1</sup>, non-freeze automatic draining wall hydrant is designed for flush installation. Features integral backflow preventer, anti-siphon technology, copper casing, all bronze interior components with 1/2 turn long-life ceramic disc cartridge, combination 3/4" female solder and 3/4" male pipe thread inlet connection, and 3/4" male hose connection. Furnished with Type 304 stainless steel faceplate and includes operating key.



Wall Thickness inches [mm]	Approximate Weight lb [kg]
6 [152], 8 [203]	3 [1]
10 [254], 12 [305], 14 [356]	4 [2]
16 [406], 18 [457]	5 [2]
20 [508], 22 [559], 24 [610]	6 [3]
26 [660], 30 [762]	8 [4]

PRODUCT	DESCRIPTION	WALL THICKNESS	LIST PRICE
<b>Z1321XL*</b>	3/4" Hose Connection Stainless Steel Box and Face with Copper Casing	6", 8"	<b>880.00</b>
		10", 12", 14"	<b>934.00</b>
		16", 18"	<b>1,023.00</b>
		20", 22", 24"	<b>1,107.00</b>
		26", 30"	<b>1,311.00</b>
SUFFIXES			ADD
-PB	Polished Bronze Face		<b>63.00</b>
-RK	Hydrant Parts Repair Kit (HYD-RK-Z1321XL/33XL)		<b>337.00</b>
-RT12	Ceramic Cartridge Removal Tool (Up to 12" Wall)		<b>50.00</b>
-RT24	Ceramic Cartridge Removal Tool (Up to 24" Wall)		<b>50.00</b>
-RT36	Ceramic Cartridge Removal Tool (Up to 36" Wall)		<b>50.00</b>
-WC	Wall Clamp		<b>N/C</b>
-34EL	3/4" IP 90° Solder Inlet Elbow		<b>N/C</b>
-34FIP	3/4" IP Straight Female Inlet Adapter		<b>44.00</b>
BEST SELLERS			LIST PRICE
Z1321XL-3/4x6			<b>880.00</b>
Z1321XL-3/4x8			<b>880.00</b>
Z1321XL-3/4x10			<b>934.00</b>
Z1321XL-3/4x12			<b>934.00</b>
<b>SEE LEGACY ADDENDUM ON PAGE 369 FOR MORE INFORMATION</b>			

<sup>1</sup>Lead-free product. For more information, see page 274.  
\*Regularly furnished unless otherwise specified.

Items designated as Best Sellers are most specified and are generally in stock for shipment.  
Ⓢ This symbol denotes a product that is engineered to reduce installation and rework time.  
For additional product information, please visit [www.zurn.com](http://www.zurn.com)



# ⌚ Z1322XL-EZ ECOLOTROL CERAMIC DISC WALL HYDRANT – EXPOSED, NON-FREEZE, ANTI-SIPHON, AUTOMATIC DRAINING

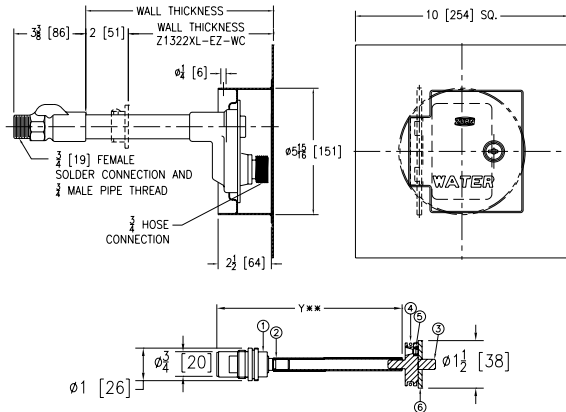


PATENTED

XL LEAD FREE

## ENGINEERING SPECIFICATION

Zurn Z1322XL-EZ encased, Ecolotrol, lead-free<sup>†</sup>, non-freeze automatic draining wall hydrant is designed for flush installation in 6" diameter cored hole concrete exterior wall. Features integral backflow preventer, anti-siphon technology, copper casing, all bronze interior components with 1/2 turn long-life ceramic disc cartridge, combination 3/4" female solder and 3/4" male pipe thread inlet connection, and 3/4" male hose connection. Includes Type 304 stainless steel housing with large flange and hinged cover that includes operating key lock and "WATER" cast on cover.



Wall Thickness inches [mm]	Approximate Weight lb [kg]
6 [152], 8 [203]	5 [2]
10 [254], 12 [305], 14 [356]	6 [3]
16 [406], 18 [457]	7 [3]
20 [508], 22 [559], 24 [610]	8 [4]
26 [660], 30 [762]	10 [5]

PRODUCT	DESCRIPTION	WALL THICKNESS	LIST PRICE
<b>Z1322XL-EZ*</b>	3/4" Hose Connection Stainless Steel Box and Face with Copper Casing	6", 8"	<b>1,955.00</b>
		10", 12", 14"	<b>2,010.00</b>
		16", 18"	<b>2,098.00</b>
		20", 22", 24"	<b>2,183.00</b>
		26", 30"	<b>2,385.00</b>

SUFFIXES		ADD
-CL	Cylinder Lock	178.00
-RK	Hydrant Parts Repair Kit (HYD-RK-Z1321XL/33XL)	337.00
-RT12	Ceramic Cartridge Removal Tool (Up to 12" Wall)	50.00
-RT24	Ceramic Cartridge Removal Tool (Up to 24" Wall)	50.00
-RT36	Ceramic Cartridge Removal Tool (Up to 36" Wall)	50.00
-8	8" Diameter Cored Hole	N/C
-34EL	3/4" IP 90° Solder Inlet Elbow	N/C
-34FIP	3/4" IP Straight Female Inlet Adapter	44.00
BEST SELLERS		LIST PRICE
Z1322XL-EZ-3/4x6		<b>1,955.00</b>
Z1322XL-EZ-3/4x8		<b>1,955.00</b>
Z1322XL-EZ-3/4x10		<b>2,010.00</b>

Items designated as Best Sellers are most specified and are generally in stock for shipment.  
 ⌚ This symbol denotes a product that is engineered to reduce installation and rework time.  
 For additional product information, please visit [www.zurn.com](http://www.zurn.com)

<sup>†</sup>Lead-free product. For more information, see page 274.  
 \*Regularly furnished unless otherwise specified.

INTRO  
ROOF DRAINS  
FLOOR DRAINS  
T, P, BW VALVES  
INTERCEPTORS  
CARRIERS  
HYDRANTS  
CLEANOUTS  
WHA  
SS DRAINS  
FAB SS DRAINS  
SANI-FLOOR  
TECH INFO

## Z1325 WALL HYDRANT – ENCASED, VARI-TEMP, NON-FREEZE

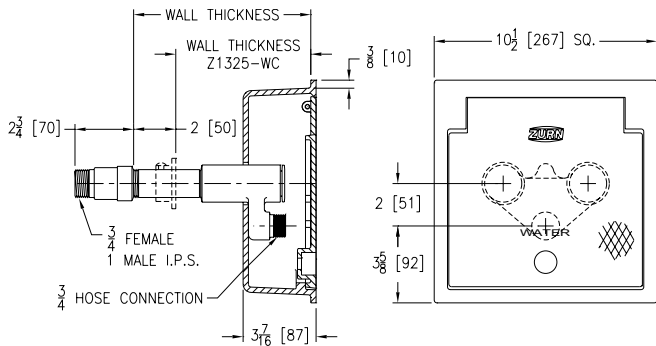


### ENGINEERING SPECIFICATION

Zurn Z1325 Vari-Temp combination hot and cold water, non-freeze, encased wall hydrant is designed for flush installation. Comes complete with bronze casing, all bronze interior components, non-turning operating rods with free-floating compression closure valves, replaceable bronze seat and seat washer, and combination 3/4" female or 1" male straight IP inlet. Includes nickel bronze box and hinged cover with operating key lock and "WATER" cast on cover.

### NOTES

When -VB vacuum breaker suffix is specified, the vacuum breaker must be manually tripped at the end of usage to facilitate drainage of the hydrant and maintain the non-freeze feature.



Wall Thickness inches [mm]	Approximate Weight lb [kg]
6 [152], 8 [203]	27 [12]
10 [254], 12 [305], 14 [356]	31 [14]
16 [406], 18 [457]	35 [16]
24 [610]	39 [18]

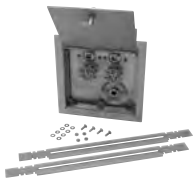
PRODUCT	DESCRIPTION	WALL THICKNESS	LIST PRICE
Z1325*	3/4" Hose Connection Nickel Bronze Box and Cover with Polished Face and Bronze Casing	6", 8" 10", 12", 14" 16", 18" 24"	3,808.00 3,912.00 4,251.00 4,463.00

SUFFIXES	ADD
-CL	Cylinder Lock 190.00
-NW	Narrow Wall (Priced same as 6-8" Wall) -
-RA4	24" Replacement Rod Assembly Kit 1,146.00
-RK	Hydrant Parts Repair Kit 569.00
-VB	3/4" Adapter Vacuum Breaker 139.00
-WC	Wall Clamp N/C
-34UN	3/4" IP 90° Inlet Elbow with Union Nut 95.00

SUFFIXES	DEDUCT
-PB	Polished Bronze Face 279.00

BEST SELLERS	LIST PRICE
Z1325-3/4X6	3,808.00
Z1325-3/4X6-VB	3,947.00
Z1325-3/4X8	3,808.00

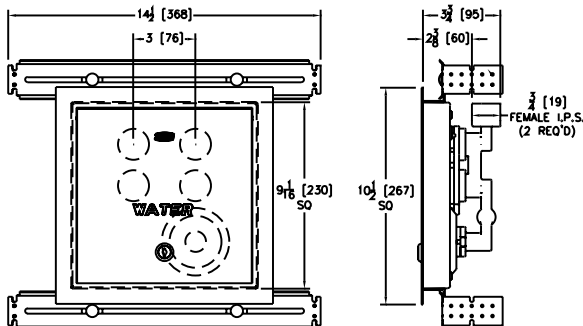
## Z1327-EZ NARROW WALL HOT/COLD HYDRANT WITH MOUNTING BRACKETS – ENCASED, MODERATE CLIMATE



### ENGINEERING SPECIFICATION

Zurn Z1327-EZ encased, moderate climate hot/cold wall hydrant is designed for narrow wall installation. Features bronze body, all brass interior parts, replaceable seat washers, screwdriver operated stop valves in supply, handle operated control valves, 3/4" IP female inlets, and 3/4" male hose connection standard. Includes stainless steel box and removable hinged cover with cylinder lock and "WATER" cast on cover. Comes complete with mounting brackets, hardware for installation and horizontal adjustment inside a 16" on center stud wall.

PATENTED



Wall Thickness inches [mm]	Approximate Weight lb [kg]
3-1/2 [89]	11 [5]

PRODUCT	DESCRIPTION	WALL THICKNESS	LIST PRICE
Z1327-EZ*	3/4" Hose Connection Stainless Steel Face with Bronze Body	3-1/2"	3,236.00

SUFFIXES	ADD
-RK	Hydrant Parts Repair Kit 569.00
-VB	3/4" Adapter Vacuum Breaker 139.00
-24	Mounting Brackets (for 24" on Center Stud Wall) N/C

BEST SELLERS	LIST PRICE
Z1327-3/4-EZ	3,236.00
Z1327-3/4-EZ-VB	3,375.00

\*Lead-free product. For more information, see page 274.  
\*Regularly furnished unless otherwise specified.

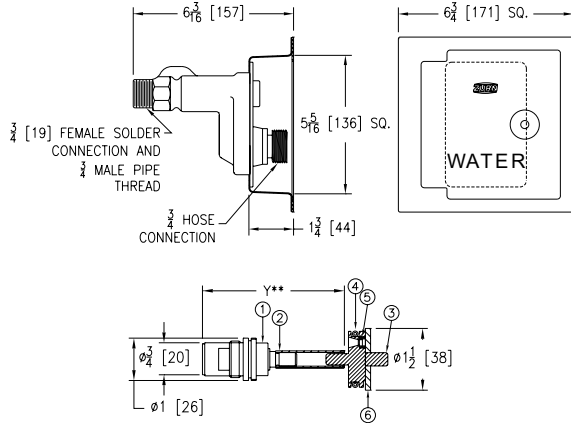
Items designated as Best Sellers are most specified and are generally in stock for shipment.  
Ⓢ This symbol denotes a product that is engineered to reduce installation and rework time.  
For additional product information, please visit [www.zurn.com](http://www.zurn.com)

## Z1330XL ECOLOTROL CERAMIC DISC WALL HYDRANT – ENCASED, ANTI-SIPHON, AUTOMATIC DRAINING, MODERATE CLIMATE



### ENGINEERING SPECIFICATION

Zurn Z1330XL encased, Ecolotrol, lead-free\*, anti-siphon, moderate climate, interior wall hydrant is designed for flush installation. Features integral backflow preventer, anti-siphon technology, all bronze interior components with 1/2 turn long-life ceramic disc cartridge, combination 3/4" female solder and 3/4" male pipe thread inlet connection, and 3/4" male hose connection. Includes Type 304 stainless steel, flanged housing with locking, hinged cover stamped "WATER", and operating key.



Wall Thickness inches [mm]	Approximate Weight lb [kg]
8 [203]	4 [2]

PRODUCT	DESCRIPTION	WALL THICKNESS	LIST PRICE
<b>Z1330XL*</b>	3/4" Hose Connection Stainless Steel Box and Cover with Polished Face	8"	<b>1,421.00</b>
<b>SUFFIXES</b>			<b>ADD</b>
-CL	Cylinder Lock		178.00
-NB	Polished Nickel Bronze Face		N/C
-PB	Polished Bronze Face		63.00
-RK	Hydrant Parts Repair Kit (HYD-RK-Z1321XL/33XL)		337.00
-RT12	Ceramic Cartridge Removal Tool (Up to 12" Wall)		50.00
-34EL	3/4" 90° Solder Inlet Elbow		N/C
<b>BEST SELLERS</b>			<b>LIST PRICE</b>
Z1330XL-3/4			1,421.00
Z1330XL-3/4-NB			1,421.00
Z1330XL-3/4-PB			1,484.00

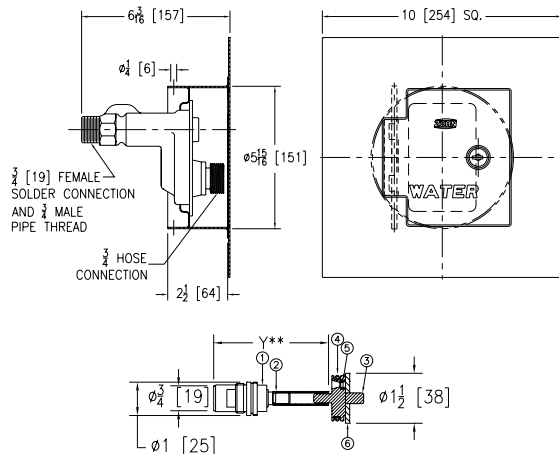
## Z1332XL-EZ ECOLOTROL CERAMIC DISC WALL HYDRANT – ENCASED, ANTI-SIPHON, AUTOMATIC DRAINING, MODERATE CLIMATE



PATENTED

### ENGINEERING SPECIFICATION

Zurn Z1332XL-EZ encased, Ecolotrol, lead-free†, non-freeze automatic draining wall hydrant is designed for flush installation in 6" diameter cored hole concrete exterior wall. Features integral backflow preventer, anti-siphon technology, copper casing, all bronze interior components with 1/2 turn long-life ceramic disc cartridge, combination 3/4" female solder and 3/4" male pipe thread inlet connection, and 3/4" male hose connection. Includes Type 304 stainless steel housing with large flange and hinged cover that includes operating key lock and "WATER" cast on cover.



Wall Thickness inches [mm]	Approximate Weight lb [kg]
8 [203]	4 [2]

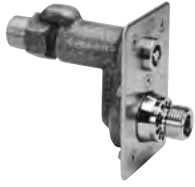
PRODUCT	DESCRIPTION	WALL THICKNESS	LIST PRICE
<b>Z1332XL-EZ*</b>	3/4" Hose Connection Stainless Steel Box and Cover with Polished Face	8"	<b>1,801.00</b>
<b>SUFFIXES</b>			<b>ADD</b>
-CL	Cylinder Lock		178.00
-RK	Hydrant Parts Repair Kit (HYD-RK-Z1321XL/33XL)		337.00
-RT12	Ceramic Cartridge Removal Tool (Up to 12" Wall)		50.00
-8	8" Diameter Cored Hole		N/C
<b>BEST SELLER</b>			<b>LIST PRICE</b>
Z1332XL-EZ-3/4			1,801.00

Items designated as Best Sellers are most specified and are generally in stock for shipment.  
 ⌚ This symbol denotes a product that is engineered to reduce installation and rework time.  
 For additional product information, please visit [www.zurn.com](http://www.zurn.com)

\*Lead-free product. For more information, see page 274.  
 †Regularly furnished unless otherwise specified.

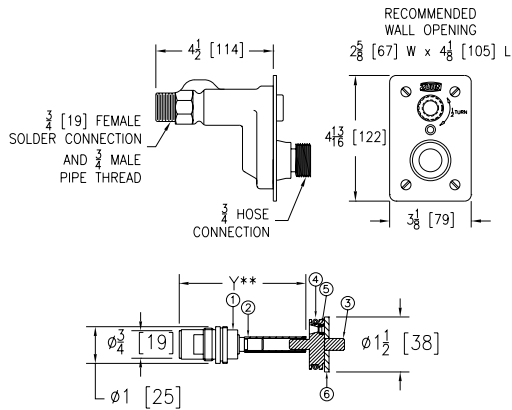
INTRO  
 ROOF DRAINS  
 FLOOR DRAINS  
 T, P, BW VALVES  
 INTERCEPTORS  
 CARRIERS  
 HYDRANTS  
 CLEANOUTS  
 W/HA  
 SS DRAINS  
 FAB SS DRAINS  
 SANI-FLOOR  
 TECH INFO

## Z1333XL ECOLOTROL CERAMIC DISC WALL HYDRANT – EXPOSED, ANTI-SIPHON, AUTOMATIC DRAINING, MODERATE CLIMATE



### ENGINEERING SPECIFICATION

Zurn Z1333XL exposed, Ecolotrol, lead-free<sup>1</sup>, anti-siphon, moderate climate, interior wall hydrant is designed for flush installation. Features integral backflow preventer, anti-siphon technology, all bronze interior components with 1/2 turn long-life ceramic disc cartridge, combination 3/4" female solder and 3/4" male pipe thread inlet connection, and 3/4" male hose connection. Includes Type 304 stainless steel faceplate and operating key.



Wall Thickness inches [mm]	Approximate Weight lb [kg]
6 [152]	3 [1]

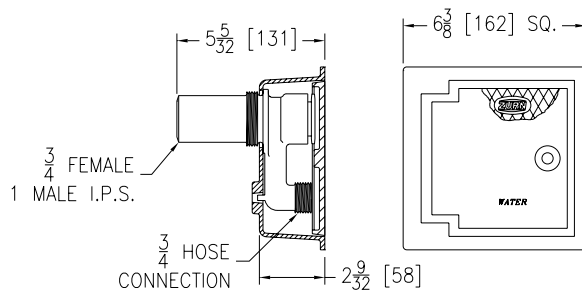
PRODUCT	DESCRIPTION	WALL THICKNESS	LIST PRICE
<b>Z1333XL*</b>	3/4" Hose Connection Stainless Steel Face	6"	<b>680.00</b>
<b>SUFFIXES</b>			<b>ADD</b>
<b>-PB</b>	Polished Bronze Face		<b>63.00</b>
<b>-RK</b>	Hydrant Parts Repair Kit (HYD-RK-Z1321XL/33XL)		<b>337.00</b>
<b>-RT12</b>	Ceramic Cartridge Removal Tool (Up to 12" Wall)		<b>50.00</b>
<b>BEST SELLER</b>			<b>LIST PRICE</b>
Z1333XL-3/4			<b>680.00</b>

## Z1335 WALL HYDRANT – ENCASED, MODERATE CLIMATE



### ENGINEERING SPECIFICATION

Zurn Z1335 encased flush wall hydrant is designed for moderate climate and interior wall installation. Comes complete with all bronze interior parts, non-turning operating coupling, free-floating compression closure valve, replaceable bronze seat and seat washer, and 3/4" female IP inlet. Includes nickel bronze box and hinged cover with operating key lock and "WATER" cast on cover.



Wall Thickness inches [mm]	Approximate Weight lb [kg]
6 [152]	8 [4]

PRODUCT	DESCRIPTION	WALL THICKNESS	LIST PRICE
<b>Z1335*</b>	3/4" Hose Connection Nickel Bronze Box and Cover with Polished Face	6"	<b>1,615.00</b>
<b>SUFFIXES</b>			<b>ADD</b>
<b>-CL</b>	Cylinder Lock		<b>190.00</b>
<b>-RK</b>	Hydrant Parts Repair Kit		<b>333.00</b>
<b>-34FS</b>	3/4" Solder Female Inlet Adapter		<b>N/C</b>
<b>-34UN</b>	3/4" IP 90° Inlet Elbow with Union Nut		<b>47.00</b>
<b>SUFFIXES</b>			<b>DEDUCT</b>
<b>-CI</b>	D.C.C.I. Box and Cover		<b>369.00</b>
<b>-PB</b>	Polished Bronze Face		<b>213.00</b>
<b>BEST SELLER</b>			<b>LIST PRICE</b>
Z1335-3/4			<b>1,615.00</b>

<sup>1</sup>Lead-free product. For more information, see page 274.  
<sup>2</sup>Regularly furnished unless otherwise specified.

Items designated as Best Sellers are most specified and are generally in stock for shipment.  
 Ⓢ This symbol denotes a product that is engineered to reduce installation and rework time.  
 For additional product information, please visit [www.zurn.com](http://www.zurn.com)

## Z1350 NARROW WALL HYDRANT – ENCASED, MODERATE CLIMATE



PATENTED

### ENGINEERING SPECIFICATION

Zurn Z1350 encased moderate climate wall hydrant is designed for narrow wall installation. Comes complete with bronze body, all bronze interior parts, replaceable seat washer, screwdriver operated stop valve in supply, key operated control valve, and 3/4" IP female inlet connection and 3/4" male hose connection standard. Includes adjustable stainless steel box furnished with hinged cover, cylinder lock, and "WATER" stamped on cover.

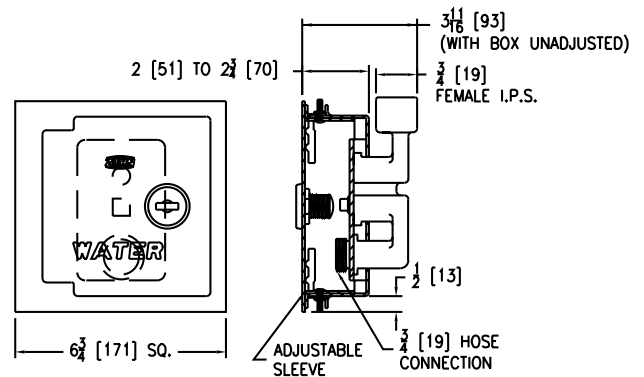
### NOTES

The adjustable sleeve on the stainless steel box is provided with a gasket as standard, but additional caulking of all inside joints is required (by others) after the hydrant box has been properly set. Caulking should be performed on all open seams, including the seams where the gasket is present.

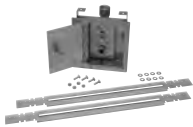
BEST SELLERS	LIST PRICE
Z1350-3/4	1,263.00
Z1350-3/4-34EL	1,263.00
Z1350-3/4-34FS-VB	1,402.00
Z1350-3/4-VB	1,402.00

Wall Thickness inches [mm]	Approximate Weight lb [kg]
4 [102]	4 [2]

PRODUCT	DESCRIPTION	WALL THICKNESS	LIST PRICE
Z1350*	3/4" Hose Connection Stainless Steel Box and Cover with Bronze Body	4"	1,263.00
SUFFIXES			ADD
-RK	Hydrant Parts Repair Kit		530.00
-VB	3/4" Adapter Vacuum Breaker		139.00
-34EL	3/4" IP 90° Inlet Elbow Adapter		N/C
-34FS	3/4" Solder Female Inlet Adapter		N/C



## Z1350-EZ NARROW WALL HYDRANT WITH MOUNTING BRACKETS – ENCASED, MODERATE CLIMATE



### ENGINEERING SPECIFICATION

Zurn Z1350-EZ encased moderate climate wall hydrant is designed for narrow wall installation. Features bronze body, all bronze interior parts, replaceable seat washer, screwdriver operated stop valve in supply, key operated control valve, and 3/4" IP female inlet and 3/4" male hose connection standard. Includes stainless steel box and hinged cover with cylinder lock and "WATER" stamped on cover. Comes complete with mounting brackets and hardware for installation and horizontal adjustment inside a 16" on center stud wall.

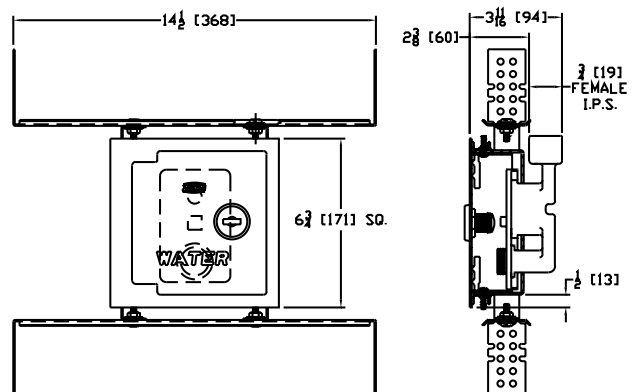
### NOTES

The adjustable sleeve on the stainless steel box is provided with a gasket as standard, but additional caulking of all inside joints is required (by others) after the hydrant box has been properly set. Caulking should be performed on all open seams, including the seams where the gasket is present.

BEST SELLERS	LIST PRICE
Z1350-3/4-EZ	1,429.00
Z1350-3/4-EZ-VB	1,568.00

Wall Thickness inches [mm]	Approximate Weight lb [kg]
4 [102]	6 [3]

PRODUCT	DESCRIPTION	WALL THICKNESS	LIST PRICE
Z1350-EZ*	3/4" Hose Connection Stainless Steel Box and Cover with Bronze Body	4"	1,429.00
SUFFIXES			ADD
-RK	Hydrant Parts Repair Kit		530.00
-VB	3/4" Adapter Vacuum Breaker		139.00
-24	Mounting Brackets (For 24" on Center Stud Wall)		N/C
-34EL	3/4" IP 90° Inlet Elbow Adapter		N/C
-34FS	3/4" Solder Female Inlet Adapter		N/C



Items designated as Best Sellers are most specified and are generally in stock for shipment.  
 ⌚ This symbol denotes a product that is engineered to reduce installation and rework time.  
 For additional product information, please visit [www.zurn.com](http://www.zurn.com)

\*Lead-free product. For more information, see page 274.  
 \*Regularly furnished unless otherwise specified.

# Z1360XL GROUND HYDRANT – ENCASED, FLUSH TYPE, NON-FREEZE

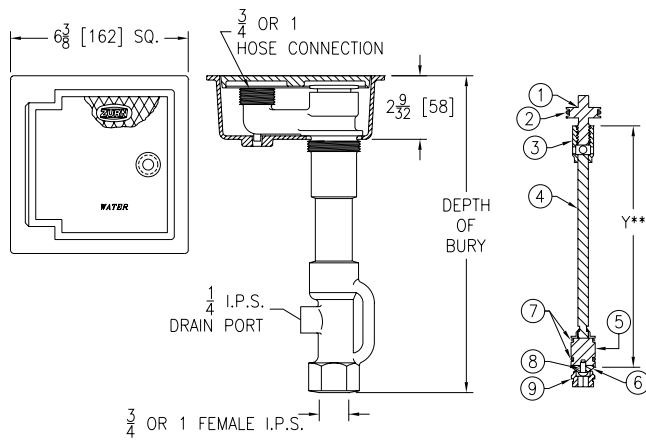


## ENGINEERING SPECIFICATION

Zurn Z1360-XL encased, lead-free<sup>1</sup>, non-freeze ground hydrant is designed for flush with grade or finished (non-traffic) floor installation. Features galvanized steel casing, bronze and stainless steel interior components, bronze seat and replaceable seat washer, non-turning operating rod, and free-floating compression closure valve with 3/4" or 1" inlet connection with 1/4" tapped drainage port on housing, and 3/4" or 1" male hose connection. Includes plain bronze box and locking, hinged, scoriated cover stamped "WATER" and operating key.

## NOTES

†Non-Freeze feature will not automatically function when (-VB suffix) vacuum breaker is specified. The vacuum breaker must be manually tripped to facilitate drainage of hydrant.



Depth of Bury feet [m]	Approximate Weight lb [kg]
2 [0.61]	17 [8]
3 [0.91]	21 [10]
4 [1.22]	25 [11]
5 [1.52]	33 [15]
6 [1.83]	39 [18]
7 [2.13]	43 [20]
8 [2.44]	47 [21]
9 [2.74]	52 [24]
10 [3.05]	56 [25]

PRODUCT	DESCRIPTION	DEPTH OF BURY FEET	LIST PRICE
Z1360XL*	3/4" Hose Connection Bronze Box and Scoriated Cover with Galvanized Steel Casing	2'	2,103.00
		3'	2,255.00
		4'	2,417.00
		5'	2,589.00
		6'	2,747.00
		7'	2,904.00
		8'	3,064.00
		9'	3,234.00
		10'	3,386.00
			1" Hose Connection Bronze Box and Scoriated Cover with Galvanized Steel Casing
3'	2,585.00		
4'	2,745.00		
5'	2,920.00		
6'	3,074.00		
7'	3,233.00		
8'	3,393.00		
9'	3,566.00		
10'	3,714.00		

SUFFIXES		ADD
-DP12	1/2" IP Drain Port in Box	178.00
-DP14	1/4" IP Drain Port in Box	178.00
-DP38	3/8" IP Drain Port in Box	178.00
-HD-8	Heavy-Duty Ductile Iron Cover with Cast Iron Box	377.00
-HD-10	Heavy-Duty Stainless Steel Cover with Nickel Box	801.00
-K	Flashing Flange Only	789.00
-KC	Flashing Flange with Clamp Collar	858.00
-NB	Polished Nickel Bronze Face	263.00
-PB	Polished Bronze Face	59.00
-RK	Hydrant Parts Repair Kit (HYD-RK-Z1360XL)	337.00
-VB	3/4" Adapter Vacuum Breaker† (Requires deeper box to accommodate vacuum breaker)	141.00

SUFFIXES		DEDUCT
-CI	D.C.I. Box and Cover	349.00

BEST SELLERS	LIST PRICE
Z1360-3/4X2	2,103.00
Z1360-3/4X2-NB	2,366.00
Z1360-3/4X3	2,255.00
Z1360-3/4X4	2,417.00

<sup>1</sup>Lead-free product. For more information, see page 274.  
\*Regularly furnished unless otherwise specified.

Items designated as Best Sellers are most specified and are generally in stock for shipment.  
Ⓢ This symbol denotes a product that is engineered to reduce installation and rework time.  
For additional product information, please visit [www.zurn.com](http://www.zurn.com)

# Z1365 GROUND HYDRANT – ENCASED, FLUSH TYPE, NON-FREEZE

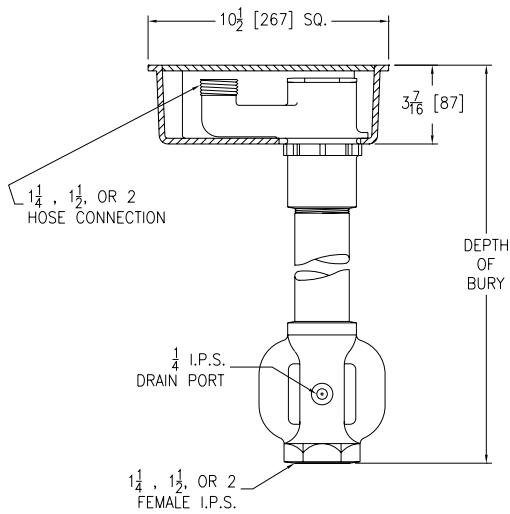


## ENGINEERING SPECIFICATION

Zurn Z1365 encased, non-freeze ground hydrant is designed for flush with grade or finished floor installation. Features galvanized steel casing, all bronze interior parts, bronze seat and replaceable seat washer, and non-turning operating rod with free-floating compression closure valve with 1-1/4", 1-1/2", or 2" connection. Includes Dura-Coated cast iron box and hinged scoriated cover with operating "T" handle key lock and "WATER" cast on cover. Hydrant is equipped with a tapped 1/4" NPT drain port in valve housing.

## NOTES

Important: Hydrant must be opened one turn minimum to seal drain port during use.



Depth of Bury feet [m]	Approximate Weight lb [kg]
2 [0.61]	42 [19]
3 [0.91]	46 [21]
4 [1.22]	50 [23]
5 [1.52]	54 [24]
6 [1.83]	58 [26]

PRODUCT	DESCRIPTION	DEPTH OF BURY FEET	LIST PRICE
<b>Z1365*</b>	1-1/4" Inlet/Hose Connection	2'	<b>8,782.00</b>
	D.C.C.I. Box and Scoriated Cover with Galvanized Steel Casing	3'	<b>9,064.00</b>
	1-1/2" Inlet/Hose Connection	2'	<b>9,636.00</b>
	D.C.C.I. Box and Scoriated Cover with Galvanized Steel Casing	3'	<b>9,925.00</b>
		4'	<b>10,206.00</b>
		5'	<b>10,513.00</b>
		6'	<b>10,818.00</b>
	2" Inlet/Hose Connection D.C.C.I. Box and Scoriated Cover with Galvanized Steel Casing	2'	<b>11,249.00</b>
		3'	<b>11,535.00</b>
		4'	<b>11,816.00</b>
		5'	<b>12,126.00</b>
		6'	<b>12,429.00</b>

SUFFIXES		ADD
<b>-DP14</b>	1/4" IP Drain Port in Box	<b>190.00</b>
<b>-NB</b>	Polished Nickel Bronze Face	<b>579.00</b>
<b>-PB</b>	Polished Bronze Face	<b>333.00</b>
<b>-RK</b>	Hydrant Parts Repair Kit	<b>1,218.00</b>

BEST SELLERS	LIST PRICE
Z1365-1-1/2X14	<b>POA</b>
Z1365-1-1/2X14-PB	<b>POA</b>

SEE LEGACY ADDENDUM ON PAGE 369 FOR MORE INFORMATION

Items designated as Best Sellers are most specified and are generally in stock for shipment.  
 ⌚ This symbol denotes a product that is engineered to reduce installation and rework time.  
 For additional product information, please visit [www.zurn.com](http://www.zurn.com)

\*Lead-free product. For more information, see page 274.  
 \*Regularly furnished unless otherwise specified.

INTRO  
ROOF DRAINS  
FLOOR DRAINS  
T, P, BW VALVES  
INTERCEPTORS  
CARRIERS  
HYDRANTS  
CLEANOUTS  
WHA  
SS DRAINS  
FAB SS DRAINS  
SAN-FLOOR  
TECH INFO

## Z1370 GROUND HYDRANT – ENCASED, HOSE STORAGE, NON-FREEZE

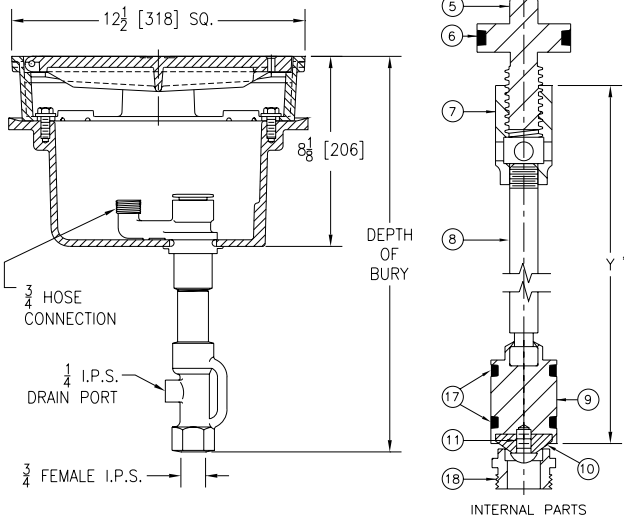


### ENGINEERING SPECIFICATION

Zurn Z1370 encased, non-freeze ground hydrant is designed for flush with grade or finished floor installation. Features galvanized steel casing, all bronze interior components bronze seat and replaceable seat washer, and non-turning operating rod with free-floating compression closure valve. Dura-Coated cast iron box provides hose storage and comes complete with hinged, scoriated cover with operating key lock. Hydrant is equipped with a tapped 1/4" NPT drain port in valve housing. (Hose should always be disconnected for storage.)

### NOTES

Important: Hydrant must be opened one turn minimum to seal drain port during use.



Depth of Bury feet [m]	Approximate Weight lb [kg]
2 [0.61]	81 [37]
3 [0.91]	85 [39]
4 [1.22]	89 [40]
6 [1.83]	97 [44]

PRODUCT	DESCRIPTION	DEPTH OF BURY FEET	LIST PRICE
<b>Z1370*</b>	3/4" Hose Connection D.C.C.I. Box and Scoriated Cover with Galvanized Steel Casing	2'	<b>3,798.00</b>
		3'	<b>3,967.00</b>
		4'	<b>4,088.00</b>
		6'	<b>4,240.00</b>
SUFFIXES			ADD
-BC	Bronze Casing		<b>379.00</b>
-DP12	1/2" IP Drain Port in Box		<b>190.00</b>
-NB	Polished Nickel Bronze Face (Add 3/16" to 8-1/2" Dim. and 3/4" to 12-1/2" Dim.)		<b>3,002.00</b>
-RK	Hydrant Parts Repair Kit		<b>333.00</b>
BEST SELLER			LIST PRICE
Z1370-3/4X2			<b>3,798.00</b>

\*Lead-free product. For more information, see page 274.  
\*Regularly furnished unless otherwise specified.

Items designated as Best Sellers are most specified and are generally in stock for shipment.  
Ⓢ This symbol denotes a product that is engineered to reduce installation and rework time.  
For additional product information, please visit [www.zurn.com](http://www.zurn.com)

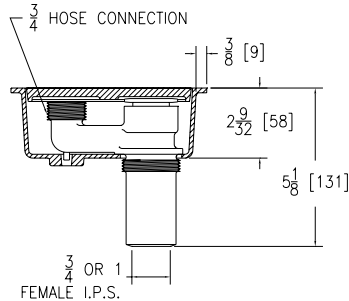
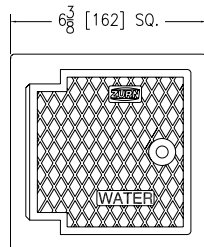


## Z1375 GROUND HYDRANT – ENCASED, MODERATE CLIMATE, INTERIOR USE



### ENGINEERING SPECIFICATION

Zurn Z1375 encased, moderate climate ground hydrant is designed for flush with grade or finished floor installation. Comes complete with all bronze interior parts, replaceable bronze seat and seat washer, and non-turning operating coupling with free-floating compression closure valve. Includes Dura-Coated cast iron box and hinged, scoriated cover with "WATER" cast on cover.



Approximate Weight lb [kg]	
8 [4]	

PRODUCT	DESCRIPTION	APP. WT. LBS.	LIST PRICE
Z1375*	3/4" Hose Connection D.C.I. Box and Scoriated Cover with Bronze Hydrant	8	1,429.00
SUFFIXES		ADD	
-DP14	1/4" Drain Port in Box		190.00
-HD-8	Heavy-Duty Ductile Iron Cover with Cast Iron Box		399.00
-HD-10	Heavy Duty Stainless Steel Cover with Nickel Box		850.00
-NB	Polished Nickel Bronze Face		369.00
-PB	Polished Bronze Face		157.00
-RK	Hydrant Parts Repair Kit		333.00
-VB	3/4" Adapter Vacuum Breaker (Requires deeper box to accommodate vacuum breaker)		139.00
BEST SELLER		LIST PRICE	
Z1375-3/4		1,429.00	

## Z1385 POST HYDRANT – EXPOSED HEAD, NON-FREEZE

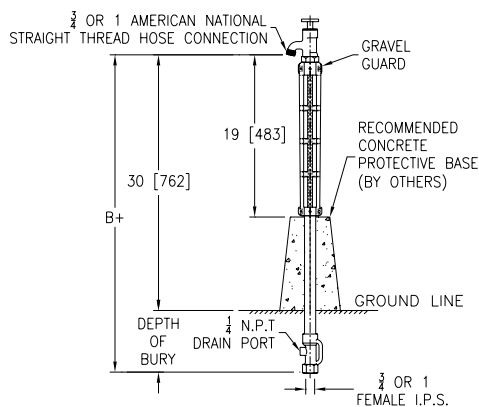


### ENGINEERING SPECIFICATION

Zurn Z1385 exposed, non-freeze post hydrant features galvanized steel casing and cast aluminum casing guard, all bronze interior parts, bronze seat and replaceable seat washer, and non-turning operating rod with free-floating compression closure valve with 3/4" or 1" connection. Includes operating key. Hydrant is equipped with a tapped 1/4" NPT drain port in valve housing.

### NOTES

- 'B' dimension based on outlet connection 30" above ground.
- Important: Hydrant must be opened one turn minimum to seal drain port during use.
- Non-Freeze feature will not automatically function when (-VB suffix) vacuum breaker is specified. The vacuum breaker must be manually tripped to facilitate drainage of hydrant.



Depth of Bury feet [m]	B+ feet [m]	Approximate Weight lb [kg]
2 [0.61]	4-1/2 [1.37]	25 [11]
3 [0.91]	5-1/2 [1.68]	29 [13]
4 [1.22]	6-1/2 [1.98]	33 [15]
5 [1.52]	7-1/2 [2.29]	37 [17]
6 [1.83]	8-1/2 [2.59]	41 [19]
7 [2.13]	9-1/2 [2.90]	45 [20]
8 [2.44]	10-1/2 [3.20]	49 [22]

PRODUCT	DESCRIPTION	DEPTH OF BURY FEET	LIST PRICE
Z1385*	3/4" Inlet/Hose Connection Bronze Exposed Head with Galvanized Steel Casing and Aluminum Casing Guard	2'	2,015.00
		3'	2,180.00
		4'	2,345.00
		5'	2,515.00
		6'	2,688.00
		7'	2,875.00
		8'	3,055.00
		1" Inlet/Hose Connection Bronze Exposed Head with Galvanized Steel Casing and Aluminum Casing Guard	2'
3'	2,743.00		
4'	2,909.00		
5'	3,075.00		
6'	3,250.00		
7'	3,432.00		
8'	3,614.00		
SUFFIXES			ADD
-RK	Hydrant Parts Repair Kit		333.00
-VB	3/4" Adapter Vacuum Breaker†		139.00
-WH	Wheel Handle		292.00
BEST SELLERS		LIST PRICE	
Z1385-3/4X2		2,015.00	
Z1385-3/4X2-VB		2,154.00	
Z1385-3/4X3		2,180.00	

Items designated as Best Sellers are most specified and are generally in stock for shipment.  
 ⌚ This symbol denotes a product that is engineered to reduce installation and rework time.  
 For additional product information, please visit [www.zurn.com](http://www.zurn.com)

†Lead-free product. For more information, see page 274.  
 \*Regularly furnished unless otherwise specified.

## Z1388XL ROOF HYDRANT – EXPOSED HEAD, NON-FREEZE



### ENGINEERING SPECIFICATION

Zurn Z1388XL exposed, lead-free<sup>1</sup>, non-freeze roof hydrant features a Dura-Coated cast iron head and lift handle with lock option, galvanized steel casing, bronze and stainless steel interior components, 3/4" inlet connection with 1/8" tapped drain port on housing, and 3/4" male hose connection. Comes complete with Dura-Coated cast iron roof support sleeve, wide anchoring flange, and clamp collar.

### NOTES

†Non-Freeze feature will not automatically function when vacuum breaker (-VB suffix) is specified. The vacuum breaker must be manually tripped to facilitate drainage of hydrant.



XL LEAD FREE

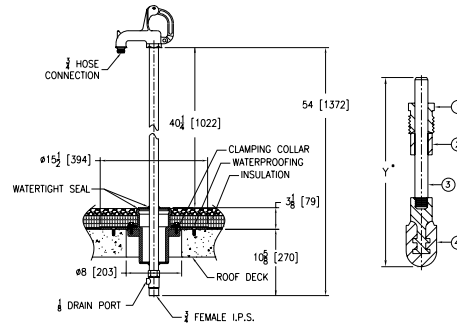
#### Approximate Weight lb [kg]

27 [12]

#### BEST SELLERS

	LIST PRICE
Z1388XL	3,218.00
Z1388XL-VB	3,359.00

PRODUCT	DESCRIPTION	APP. WT. LBS.	LIST PRICE
Z1388XL*	3/4" Inlet/Hose Connection	27	3,218.00
SUFFIXES			ADD
-AC	Aluminum Casing Guard		223.00
-RK	Hydrant Parts Repair Kit (HYD-RK-Z1395XL)		249.00
-VB	3/4" Adapter Vacuum Breaker†		141.00



## Z1390 POST HYDRANT – EXPOSED HEAD, NON-FREEZE



### ENGINEERING SPECIFICATION

Zurn Z1390 exposed, non-freeze post hydrant features galvanized steel casing and cast aluminum casing guard, all bronze interior parts, bronze seat and replaceable seat washer, and non-turning operating rod with free-floating compression closure valve with 1-1/4", 1-1/2", or 2" connection. Includes T-handle operating key. Hydrant is equipped with a tapped 1/4" NPT drain port in valve housing.

### NOTES

1. 'B' dimension based on outlet connection 30" above ground.
2. Important: Hydrant must be opened one turn minimum to seal drain port during use.

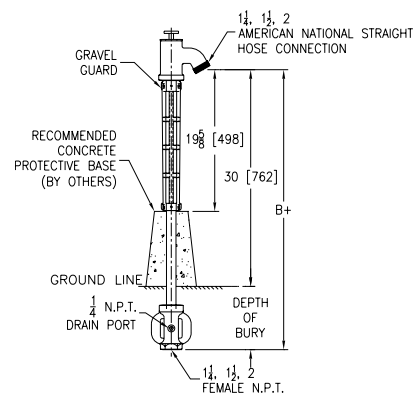
Depth of Bury feet [m]	B+ feet [m]	Approximate Weight lb [kg]
3 [0.91]	5-1/2 [1.68]	62 [28]
4 [1.22]	6-1/2 [1.98]	67 [30]
5 [1.52]	7-1/2 [2.29]	72 [33]
6 [1.83]	8-1/2 [2.59]	77 [35]
8 [2.44]	10-1/2 [3.20]	87 [39]

#### BEST SELLERS

	LIST PRICE
Z1390-1-1/2X3	7,295.00
Z1390-1-1/2X4	7,795.00

PRODUCT	DESCRIPTION	DEPTH OF BURY FEET	LIST PRICE
Z1390*	1-1/4" Hose Connection Bronze Exposed Head with Galvanized Steel Casing and Aluminum Casing Guard	3'	5,477.00
		4'	5,971.00
		5'	6,265.00
		6'	6,552.00
	1-1/2" Hose Connection Bronze Exposed Head with Galvanized Steel Casing and Aluminum Casing Guard	3'	7,295.00
		4'	7,795.00
		5'	8,085.00
		6'	8,368.00
	2" Hose Connection Bronze Exposed Head with Galvanized Steel Casing and Aluminum Casing Guard	3'	9,027.00
		4'	9,523.00
		5'	9,816.00
		6'	10,101.00
		8'	10,763.00

SUFFIXES	ADD	
-RK	Hydrant Parts Repair Kit	1,218.00
-WH	Wheel Handle	576.00



<sup>1</sup>Lead-free product. For more information, see page 274.  
\*Regularly furnished unless otherwise specified.

Items designated as Best Sellers are most specified and are generally in stock for shipment.  
Ⓢ This symbol denotes a product that is engineered to reduce installation and rework time.  
For additional product information, please visit [www.zurn.com](http://www.zurn.com)

# Z1395XL YARD HYDRANT – EXPOSED HEAD, NON-FREEZE



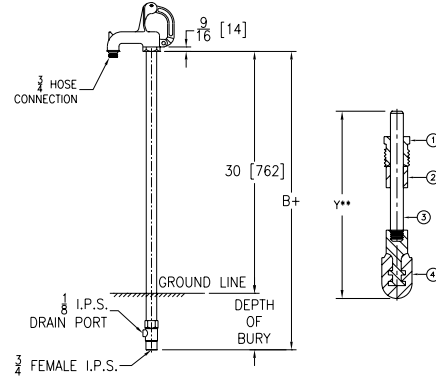
## ENGINEERING SPECIFICATION

Zurn Z1395XL exposed, lead-free<sup>†</sup>, non-freeze yard hydrant features a Dura-Coated cast iron head and lift handle with lock option, galvanized steel casing, bronze and stainless steel interior components, 3/4" inlet connection with 1/8" tapped drainage port on housing, and 3/4" male hose connection.

## NOTES

1. B' dimension based on outlet connection 30" above ground.
2. †Non-Freeze feature will not automatically function when vacuum breaker (-VB suffix) is specified. The vacuum breaker must be manually tripped to facilitate drainage of hydrant.

Depth of Bury feet [m]	B+ feet [m]	Approximate Weight lb [kg]
2 [0.61]	4-1/2 [1.37]	15 [7]
3 [0.91]	5-1/2 [1.68]	19 [9]
4 [1.22]	6-1/2 [1.98]	23 [10]
5 [1.52]	7-1/2 [2.29]	27 [12]
6 [1.83]	8-1/2 [2.59]	31 [14]
8 [2.44]	10-1/2 [3.20]	39 [18]



PRODUCT	DESCRIPTION	DEPTH OF BURY FEET	LIST PRICE
<b>Z1395XL*</b>	3/4" Hose Connection D.C.C.I. Head with Galvanized Steel Casing	2'	<b>1,202.00</b>
		3'	<b>1,287.00</b>
		4'	<b>1,320.00</b>
		5'	<b>1,358.00</b>
		6'	<b>1,396.00</b>
		8'	<b>1,510.00</b>
<b>SUFFIXES</b>			<b>ADD</b>
<b>-AC</b>	Aluminum Casing Guard		<b>223.00</b>
<b>-RK</b>	Hydrant Parts Repair Kit		<b>269.00</b>
<b>-VB</b>	3/4" Adapter Vacuum Breaker†		<b>141.00</b>
<b>BEST SELLERS</b>			<b>LIST PRICE</b>
Z1395XL-3/4x2			<b>1,202.00</b>
Z1395XL-3/4x3			<b>1,287.00</b>
<b>SEE LEGACY ADDENDUM ON PAGE 369 FOR MORE INFORMATION</b>			

Items designated as Best Sellers are most specified and are generally in stock for shipment.  
 ⌚ This symbol denotes a product that is engineered to reduce installation and rework time.  
 For additional product information, please visit [www.zurn.com](http://www.zurn.com)

<sup>†</sup>Lead-free product. For more information, see page 274.  
 \*Regularly furnished unless otherwise specified.

# Z1397XL FLO-TROL YARD HYDRANT – EXPOSED HEAD, NON-FREEZE



## ENGINEERING SPECIFICATION

Zurn Z1397XL exposed, lead-free\*, non-freeze yard hydrant features a Dura-Coated cast iron head and lift handle with lock option, slotted links for adjustable locking flow control, galvanized steel casing, bronze and stainless steel interior components, 3/4" inlet connection with 1/8" tapped drainage port on housing, and 3/4" male hose connection.

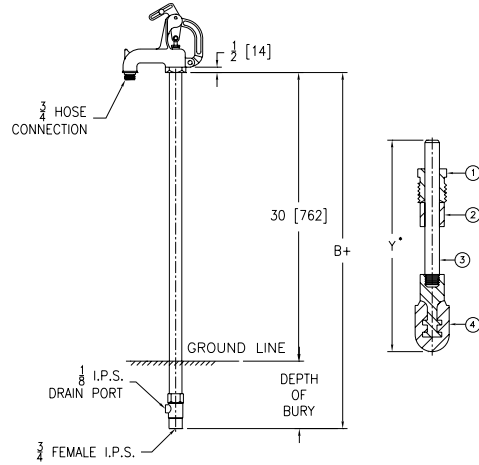
## NOTES

†Non-Freeze feature will not automatically function when vacuum breaker (-VB suffix) is specified. The vacuum breaker must be manually tripped to facilitate drainage of hydrant.



XL LEAD FREE

Depth of Bury feet [m]	B+ feet [m]	Approximate Weight lb [kg]
2 [0.61]	4-1/2 [1.37]	15 [7]
3 [0.91]	5-1/2 [1.68]	19 [9]
4 [1.22]	6-1/2 [1.98]	23 [10]
5 [1.52]	7-1/2 [2.29]	27 [12]
6 [1.83]	8-1/2 [2.59]	31 [14]
8 [2.44]	10-1/2 [3.20]	39 [18]



PRODUCT	DESCRIPTION	DEPTH OF BURY FEET	LIST PRICE
<b>Z1397XL*</b>	3/4" Hose Connection D.C.C.I. Head with Galvanized Steel Casing	2'	<b>1,202.00</b>
		3'	<b>1,287.00</b>
		4'	<b>1,320.00</b>
		5'	<b>1,358.00</b>
		6'	<b>1,396.00</b>
		8'	<b>1,510.00</b>
SUFFIXES		ADD	
-AC	Aluminum Casing Guard		<b>223.00</b>
-RK	Hydrant Parts Repair Kit		<b>269.00</b>
-VB	3/4" Adapter Vacuum Breaker†		<b>141.00</b>
<b>SEE LEGACY ADDENDUM ON PAGE 369 FOR MORE INFORMATION</b>			

\*Lead-free product. For more information, see page 274.  
 †Regularly furnished unless otherwise specified.

Items designated as Best Sellers are most specified and are generally in stock for shipment.  
 Ⓢ This symbol denotes a product that is engineered to reduce installation and rework time.  
 For additional product information, please visit [www.zurn.com](http://www.zurn.com)

# CLEANOUTS

CLEANOUTS – APPLICATION INDEX	292
🕒 <b>Z1400-BZ1</b> FLOOR CLEANOUT WITH "TYPE B" COVER AND EZ1™ TECHNOLOGY	293
🕒 <b>Z1400-SZ1</b> BODY ASSEMBLY W/ "TYPE S" COVER AND EZ1™ TECHNOLOGY	294
🕒 <b>Z1400-BZ1-DP</b> BODY ASSEMBLY W/ "TYPE B" COVER, DECK PLATE AND EZ1™ TECHNOLOGY	295
🕒 <b>Z1400-SZ1-DP</b> BODY ASSEMBLY W/ "TYPE S" COVER, DECK PLATE AND EZ1™ TECHNOLOGY	296
🕒 <b>Z1400B-DP</b> BODY ASSEMBLY W/ "TYPE B" COVER AND DECK PLATE	297
🕒 <b>Z1400S-DP</b> BODY ASSEMBLY W/ "TYPE S" COVER AND DECK PLATE	298
<b>Z1400</b> EXTRA HEAVY-DUTY "LEVEL-TROL" ADJUSTABLE FLOOR CLEANOUT	299
🕒 <b>Z1400-BZ</b> "LEVEL-TROL" ADJUSTABLE LEVELING FLOOR CLEANOUT	300
🕒 <b>Z1400-SZ</b> "LEVEL-TROL" SQUARE ADJUSTABLE LEVELING FLOOR CLEANOUT	301
<b>Z1400-K</b> HEAVY-DUTY "LEVEL-TROL" ADJUSTABLE FLOOR CLEANOUT WITH ANCHOR FLANGE	302
<b>Z1402</b> HEAVY-DUTY NON-ADJUSTABLE FLOOR CLEANOUT	303
<b>Z1404</b> HEAVY-DUTY FLOOR ACCESS HOUSING	304
<b>Z1406</b> HEAVY-DUTY ADJUSTABLE SPIGOT CLEANOUT	304
<b>Z1440</b> CLEANOUT FERRULE WITH PLUG	305
<b>Z1445</b> CLEANOUT TEE	306
<b>Z1446</b> CLEANOUT WITH ROUND WALL ACCESS COVER	306
<b>Z1449</b> CLEANOUT FERRULE WITH PLUG	307
<b>Z1454</b> ADJUSTABLE FLOOR CLEANOUT WITH FLASHING FLANGE	307
<b>Z1456</b> DECK CLEANOUT	308
<b>Z1457</b> FLOOR ACCESS COVER	308
<b>Z1460</b> SQUARE WALL ACCESS PANEL	309
<b>Z1461</b> SQUARE HINGED ACCESS PANEL	309
<b>Z1462</b> SECURED WALL ACCESS PANEL	310
<b>Z1463</b> ROUND SCORIATED ACCESS COVER	310
<b>Z1464</b> WATER SUPPLY CONTROL BOX ASSEMBLY	311
<b>Z1468</b> ACCESS COVER AND PLUG	311
<b>Z1469</b> ROUND ACCESS COVER	312
<b>Z1470</b> BRONZE CLEANOUT PLUG	312
<b>Z1471</b> AIR INLET	313
<b>Z1474</b> HEAVY-DUTY CLEANOUT HOUSING	313

## CLEANOUTS – APPLICATION INDEX

Product selection should be made with a specific application and the type of construction in mind. The varied types and sizes of Zurn cleanouts, along with their options, offer a selection for all applications.

APPLICATION	TYPE	RECOMMENDED CLEANOUT
Finished Floor Areas	"Level-Trol" Adjustable	Z1400, Z1400-K, ZN1400, ZN1454
	Non-Adjustable	ZN1402
	Linoleum, Tile or Composition Floors (Adjustable)	Z1400B-DP, Z1400S-DP, Z1400-BZ, ZN1400-K, ZN1400-TX (Square), ZN1400-X (Round)
	Linoleum, Tile or Composition Floors (Adjustable) with EZ1™ Technology (Post Pour Adjustment)	Z1400-BZ1, Z1400-SZ1, Z1400-BZ1-DP, Z1400-SZ1-DP
	Linoleum, Tile or Composition Floors (Non-Adjustable)	ZN1402-TX (Square), ZN1402-X (Round)
	Terrazzo Floors	Z1400-K, ZN1400-Z
Heavy Traffic and Industrial Areas	"Level-Trol" Adjustable	Z1400, ZN1400-HD (Round or Square), Z1400-K
	Non-Adjustable	ZN1402-HD, Z1474
Medium Traffic and Areaways	Adjustable (Finished Area)	Z1454, Z1404
Exposed Drainage Lines	Horizontal and Vertical Cleanouts	Z1440, Z1445
Access Covers and Boxes	Deck Areas	Z1456, Z1457, Z1463
	Square Covers	Z1460, Z1461, Z1462
	Round Covers	Z1463, Z1469
	Access Boxes	Z1464
Air Inlets	Finished Areas	Z1471
General Purpose	Cleanout	Z1440, Z1445, Z1449
	Cleanout Plug	Z1470

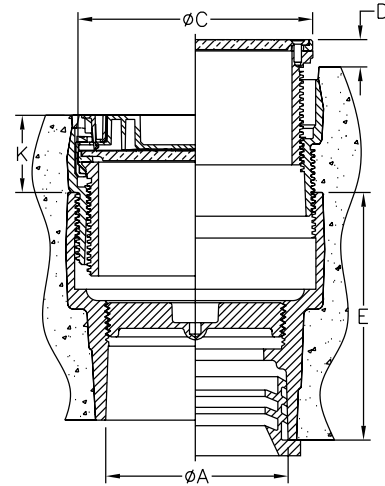
# 🕒 Z1400-BZ1 FLOOR CLEANOUT WITH "TYPE B" COVER AND EZ1™ TECHNOLOGY



PATENT PENDING

## ENGINEERING SPECIFICATION

Zurn Z1400-BZ1 cleanout features Dura-Coated cast iron body with bottom outlet, gas and water tight threaded ABS tapered plug, and top assembly. EZ1 drainage series is engineered to simplify product installation. Rough-in adapter provides up to 1-1/4" [32] of vertical post pour adjustment, pre-packaged shims for tilt correction, and integrated, self-contained Type B light duty scoriated cover with rough-in cover for protection during concrete pour. Cleanout is designed in accordance with ASME A112.36.2M.



Cover Designation	Dimensions in inches						Approximate Weight lb [kg]
	A Pipe Size	C	D		K		
			Min.	Max.	Min.	Max.	
-5B	2 [51]	5-5/32 [131]	0	1 [25]	1-23/32 [44]	2-15/16 [75]	10 [5]
	3-4 [76-102]	5-5/32 [131]	0	1 [25]	1-23/32 [44]	2-15/16 [75]	12 [5]
-6B	2 [51]	6-8/32 [156]	0	31/32 [25]	1-11/16 [43]	2-27/32 [72]	11 [5]
	3-4 [76-102]	6-8/32 [156]	0	31/32 [25]	1-11/16 [43]	2-27/32 [72]	13 [6]
-8B	6 [152]	7-7/8 [200]	0	1 [25]	1-7/8 [48]	3-1/32 [77]	19 [9]

PREFIXES	DESCRIPTION	PIPE SIZE	LIST PRICE
<b>ZN1400-BZ1*</b>	D.C.C.I. with Polished Nickel Bronze Top	2"	626.00
		3"	660.00
		4"	883.00
		6"	1,434.00
<b>ZB1400-BZ1</b>	D.C.C.I. with Polished Bronze Top	2"	561.00
		3"	604.00
		4"	821.00
		6"	1,378.00
<b>ZS1400-BZ1</b>	D.C.C.I. with Polished Type 304 (CF8) Stainless Steel Top	2"	POA
		3"	POA
		4"	POA
		6"	POA

OUTLET (SPECIFY PIPE SIZE IN INCHES AND TYPE OF OUTLET)				
TYPE	DESCRIPTION	PIPE SIZE/OUTLET TYPE	E BODY HT. DIM.	ADD
<b>NH</b>	No-Hub	2NH, 3NH	4-3/4"	N/C
		4NH	5"	N/C
		6NH	5-1/2"	N/C
<b>NL</b>	Neo-Loc	2NL, 4NL	4-3/4"	N/C
		3NL	5-7/16"	N/C
		6NL	5-1/2"	N/C

SUFFIXES	DESCRIPTION	ADD
<b>-AR</b>	Acid Resisting Epoxy Coated Finish	351.00
<b>-BP</b>	Bronze Plug	2", 3", 4" 194.00
<b>-G</b>	Galvanized Cast Iron	223.00
🕒 <b>-TC</b>	Neo-Loc Test Cap Gasket (2", 3", 4" NL Bottom Outlet Only)	24.00
<b>-UP</b>	1-3/4" Pre-Pour Adjustment Extension Adapter	140.00
<b>-VP</b>	Vandal-Proof Screws	72.00

\*Regularly furnished unless otherwise specified.

Items designated as Best Sellers are most specified and are generally in stock for shipment.

🕒 This symbol denotes a product that is engineered to reduce installation and rework time.

For additional product information, please visit [www.zurn.com](http://www.zurn.com)

# ⌚ Z1400-SZ1 BODY ASSEMBLY W/ "TYPE S" COVER AND EZ1™ TECHNOLOGY

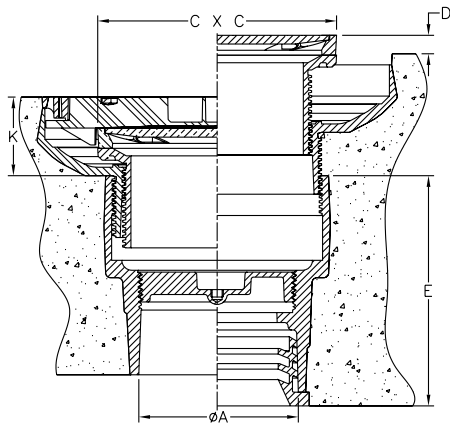


PATENT PENDING

## ENGINEERING SPECIFICATION

Zurn Z1400-SZ1 cleanout features Dura-Coated cast iron body, bottom outlet, gas and water tight threaded ABS tapered plug, and top assembly. EZ1 drainage series is engineered to simplify product installation. Concrete shield provides up to 1-1/4" [32] of vertical post pour adjustment, pre-packaged shims for tilt correction, and integrated, self-contained Type S light duty scoriated cover with rough-in cover for protection during concrete pour. Cleanout is designed in accordance with ASME A112.36.2M.

Cover Designation	Dimensions in inches						Approximate Weight lb [kg]
	A Pipe Size	Cx C	D		K		
			Min.	Max.	Min.	Max.	
-5S	2 [51]	5 X 5 [127 X 127]	0	1 [25]	1-15/16 [49]	3-1/8 [79]	12 [5]
	3-4 [76-102]	5 X 5 [127 X 127]	0	1 [25]	1-15/16 [49]	3-1/8 [79]	14 [6]
-6S	2 [51]	6 X 6 [152 X 152]	0	31/32 [25]	2 [51]	3-3/16 [81]	13 [6]
	3-4 [76-102]	6 X 6 [152 X 152]	0	31/32 [25]	2 [51]	3-3/16 [81]	15 [7]



PREFIXES	DESCRIPTION	PIPE SIZE	LIST PRICE
ZN1400-SZ1*	D.C.C.I. with Polished Nickel Bronze Top	2"	626.00
		3"	660.00
		4"	883.00
ZB1400-SZ1	D.C.C.I. with Polished Bronze Top	2"	626.00
		3"	660.00
		4"	883.00
ZS1400-SZ1	D.C.C.I. with Polished Type 304 (CF8) Stainless Steel Top	2"	POA
		3"	POA
		4"	POA

OUTLET (SPECIFY PIPE SIZE IN INCHES AND TYPE OF OUTLET)				
TYPE	DESCRIPTION	PIPE SIZE / OUTLET TYPE	E BODY HT. DIM.	ADD
NH	No-Hub	2NH, 3NH	4-3/4"	N/C
		4NH	5"	N/C
NL	Neo-Loc	2NL, 4NL	4-3/4"	N/C
		3NL	5-7/16"	N/C
SUFFIXES				ADD
-AR	Acid Resisting Epoxy Coated Finish			351.00
-BP	Bronze Plug	2", 3", 4"		194.00
-G	Galvanized Cast Iron			223.00
⌚ -TC	Neo-Loc Test Cap Gasket (2", 3", 4" NL Bottom Outlet Only)			24.00
-VP	Vandal-Proof Screws			72.00



## 🕒 Z1400-BZ1-DP BODY ASSEMBLY W/ "TYPE B" COVER, DECK PLATE AND EZ1™ TECHNOLOGY

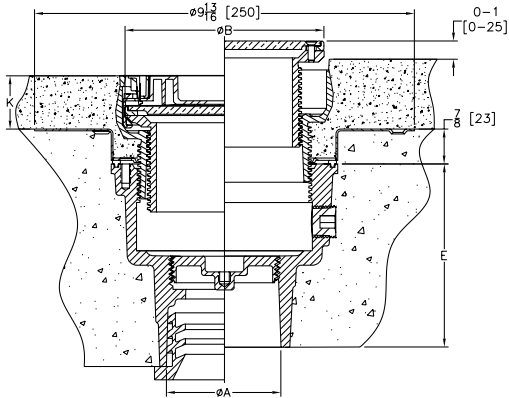


PATENT PENDING

### ENGINEERING SPECIFICATION

Zurn Z1400-BZ1-DP cleanout features Dura-Coated cast iron body, gas and water tight cleanout plug, stainless steel deck plate, and top assembly. EZ1 drainage series is engineered to simplify product installation. Concrete shield provides up to 1" [25] of vertical post pour adjustment, pre-packaged shims for tilt correction, and integrated, self contained Type B light duty scoriated cover with rough-in cover for protection during concrete pour. Cleanout is designed in accordance with ASME A112.36.2M.

Cover Designation	Dimensions in inches				Approximate Weight lb [kg]
	A Pipe Size	B	K		
			Min.	Max.	
-5B	2-3 [51-76]	5 [127]	29/32 [23]	1-13/16 [46]	16 [7]



PREFIXES	DESCRIPTION	PIPE SIZE	LIST PRICE
<b>ZN1400-BZ1-DP*</b>	D.C.C.I. with Polished Nickel Bronze Top	2", 3"	<b>1,075.00</b>
<b>ZB1400-BZ1-DP</b>	D.C.C.I. with Polished Bronze Top	2", 3"	<b>1,017.00</b>
<b>ZS1400-BZ1-DP</b>	D.C.C.I. with Polished Type 304 (CF8) Stainless Steel Top	2", 3"	<b>1,765.00</b>

OUTLET (SPECIFY PIPE SIZE IN INCHES AND TYPE OF OUTLET)				
TYPE	DESCRIPTION	PIPE SIZE/ OUTLET TYPE	E BODY HT. DIM.	ADD
NH	No-Hub	2NH, 3NH	4-3/4"	N/C
NL	Neo-Loc	2NL	5-1/4"	N/C
		3NL	4-3/8"	N/C

SUFFIXES	DESCRIPTION	ADD
-AR	Acid Resisting Epoxy Coated Finish	<b>351.00</b>
-BP	Bronze Plug	2", 3" <b>194.00</b>
-CC	Stainless Steel Clamp Collar	<b>168.00</b>
-G	Galvanized Cast Iron	<b>223.00</b>
🕒 -TC	Neo-Loc Test Cap Gasket (2", 3" NL Bottom Outlet Only)	<b>24.00</b>
-VP	Vandal-Proof Screws	<b>72.00</b>

\*Regularly furnished unless otherwise specified.

Items designated as Best Sellers are most specified and are generally in stock for shipment.

🕒 This symbol denotes a product that is engineered to reduce installation and rework time.

For additional product information, please visit [www.zurn.com](http://www.zurn.com)

## ⌚ Z1400-SZ1-DP BODY ASSEMBLY W/ "TYPE S" COVER, DECK PLATE AND EZ1™ TECHNOLOGY

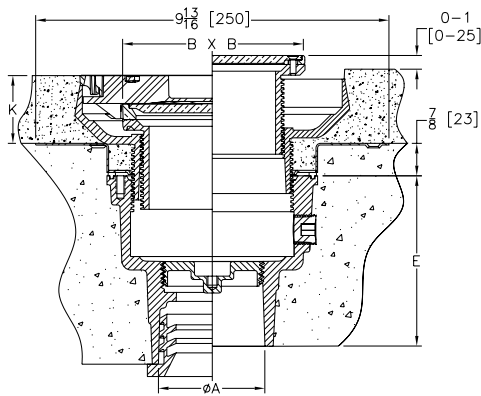


PATENT PENDING

### ENGINEERING SPECIFICATION

Zurn Z1400-SZ1-DP cleanout features Dura-Coated cast iron body, gas and water tight cleanout plug, stainless steel deck plate, and top assembly. EZ1 drainage series is engineered to simplify product installation. Concrete shield provides up to 1" [25] of vertical post pour adjustment, pre-packaged shims for tilt correction, and integrated, self contained Type S light duty scoriated cover with rough-in cover for protection during concrete pour. Cleanout is designed in accordance with ASME A112.36.2M.

Cover Designation	Dimensions in inches				Approximate Weight lb [kg]
	A Pipe Size	BxB	K		
			Min.	Max.	
-5S	2-3 [51-76]	5 X 5 [127 X 127]	1-15/16 [49]	2-3/32 [53]	17 [8]



PREFIXES	DESCRIPTION	PIPE SIZE	LIST PRICE
<b>ZN1400-SZ1-DP*</b>	D.C.C.I. with Polished Nickel Bronze Top	2", 3"	<b>1,075.00</b>

<b>ZB1400-SZ1-DP</b>	D.C.C.I. with Polished Bronze Top	2", 3"	<b>1,017.00</b>
----------------------	-----------------------------------	--------	-----------------

<b>ZS1400-SZ1-DP</b>	D.C.C.I. with Polished Type 304 (CF8) Stainless Steel Top	2", 3"	<b>1,765.00</b>
----------------------	---	--------	-----------------

### OUTLET (SPECIFY PIPE SIZE IN INCHES AND TYPE OF OUTLET)

TYPE	DESCRIPTION	PIPE SIZE/ OUTLET TYPE	E BODY HT. DIM.	ADD
<b>NH</b>	No-Hub	2NH, 3NH	4-3/4"	<b>N/C</b>
<b>NL</b>	Neo-Loc	2NL	5-1/4"	<b>N/C</b>
		3NL	4-3/8"	<b>N/C</b>

### SUFFIXES

SUFFIXES	DESCRIPTION	ADD
<b>-AR</b>	Acid Resisting Epoxy Coated Finish	<b>351.00</b>
<b>-BP</b>	Bronze Plug	2", 3" <b>194.00</b>
<b>-CC</b>	Stainless Steel Clamp Collar	<b>168.00</b>
<b>-G</b>	Galvanized Cast Iron	<b>223.00</b>
⌚ <b>-TC</b>	Neo-Loc Test Cap Gasket (2", 3" NL Bottom Outlet Only)	<b>24.00</b>
<b>-UP</b>	1-3/4" Pre-Pour Adjustment Extension Adapter	<b>140.00</b>
<b>-VP</b>	Vandal-Proof Screws	<b>72.00</b>

## 🕒 Z1400B-DP BODY ASSEMBLY W/ "TYPE B" COVER AND DECK PLATE

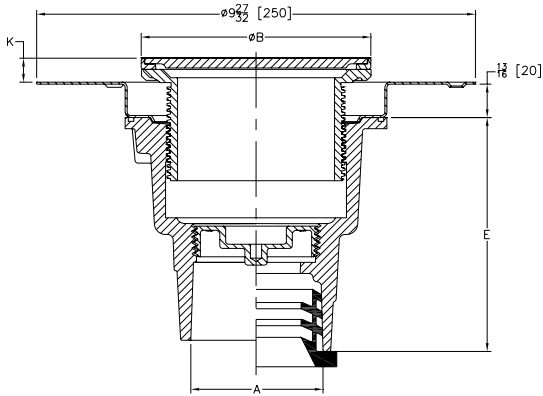


PATENT PENDING

### ENGINEERING SPECIFICATION

Zurn Z1400B-DP cleanout features Dura-Coated cast iron body, gas and water tight cleanout plug, stainless steel deck plate, and Type B polished nickel bronze light duty top assembly. Cleanout is designed in accordance with ASME A112.36.2M.

Cover Designation	Dimensions in inches				Approx. Wt. Lbs. [kg]
	A Pipe Size	B	K		
			Min.	Max.	
-5B	2-3 [51-76]	5 [127]	0	1-7/16 [37]	11 [5]



PREFIXES	DESCRIPTION	PIPE SIZE	LIST PRICE
<b>ZN1400-B-DP*</b>	D.C.C.I. with Polished Nickel Bronze Top	2", 3"	<b>1,075.00</b>
<b>ZB1400-B-DP</b>	D.C.C.I. with Polished Bronze Top	2", 3"	<b>1,017.00</b>
<b>ZS1400-B-DP</b>	D.C.C.I. with Polished Type 304 (CF8) Stainless Steel Top	2", 3"	<b>1,765.00</b>

OUTLET (SPECIFY PIPE SIZE IN INCHES AND TYPE OF OUTLET)				
TYPE	DESCRIPTION	PIPE SIZE/OUTLET TYPE	E BODY HT. DIM.	ADD
NH	No-Hub	2NH	4-7/8"	N/C
		3NH	4-3/4"	N/C
NL	Neo-Loc	2NL	5-1/4"	N/C
		3NL	4-3/8"	N/C

SUFFIXES	DESCRIPTION	ADD
-AR	Acid Resisting Epoxy Coated Finish	<b>351.00</b>
-BP	Bronze Plug	2", 3" <b>194.00</b>
-CC	Stainless Steel Clamp Collar	<b>168.00</b>
-FI	Floor Insert	<b>58.00</b>
-G	Galvanized Cast Iron	<b>223.00</b>
🕒 -TC	Neo-Loc Test Cap Gasket (2", 3" NL Bottom Outlet Only)	<b>24.00</b>
-VP	Vandal-Proof Screws	<b>72.00</b>

\*Regularly furnished unless otherwise specified.

Items designated as Best Sellers are most specified and are generally in stock for shipment.

🕒 This symbol denotes a product that is engineered to reduce installation and rework time.

For additional product information, please visit [www.zurn.com](http://www.zurn.com)

## 🕒 Z1400S-DP BODY ASSEMBLY W/ "TYPE S" COVER AND DECK PLATE

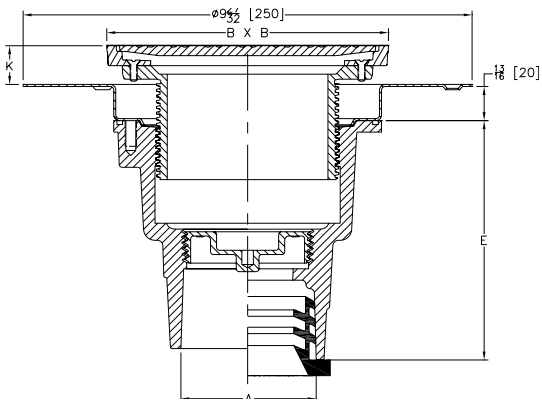


PATENT PENDING

### ENGINEERING SPECIFICATION

Zurn Z1400S-DP cleanout features Dura-Coated cast iron body, gas and water tight cleanout plug, stainless steel deck plate, and Type S polished nickel bronze light duty top assembly. Cleanout is designed in accordance with ASME A112.36.2M.

Cover Designation	Dimensions in inches				Approximate Weight lb [kg]
	A Pipe Size	BxB	K		
			Min.	Max.	
-5S	2-3 [51-76]	5 X 5 [127 X 127]	7/16 [111]	1-7/16 [37]	12 [5]



PREFIXES	DESCRIPTION	PIPE SIZE	LIST PRICE
<b>ZN1400-S-DP*</b>	D.C.C.I. with Polished Nickel Bronze Top	2", 3"	<b>1,075.00</b>
<b>ZB1400-S-DP</b>	D.C.C.I. with Polished Bronze Top	2", 3"	<b>1,017.00</b>
<b>ZS1400-S-DP</b>	D.C.C.I. with Polished Type 304 (CF8) Stainless Steel Top	2", 3"	<b>1,765.00</b>

OUTLET (SPECIFY PIPE SIZE IN INCHES AND TYPE OF OUTLET)				
TYPE	DESCRIPTION	PIPE SIZE/ OUTLET TYPE	E BODY HT. DIM.	ADD
NH	No-Hub	2NH	4-7/8"	N/C
		3NH	4-3/4"	N/C
NL	Neo-Loc	2NL	5-1/4"	N/C
		3NL	4-3/8"	N/C

SUFFIXES			ADD
-AR	Acid Resisting Epoxy Coated Finish		<b>351.00</b>
-BP	Bronze Plug	2", 3"	<b>194.00</b>
-CC	Stainless Steel Clamp Collar		<b>168.00</b>
-G	Galvanized Cast Iron		<b>223.00</b>
🕒 -TC	Neo-Loc Test Cap Gasket (2", 3" NL Bottom Outlet Only)		<b>24.00</b>
-VP	Vandal-Proof Screws		<b>72.00</b>

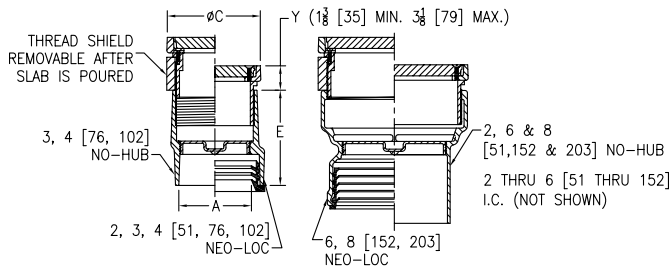
# Z1400 EXTRA HEAVY-DUTY "LEVEL-TROL" ADJUSTABLE FLOOR CLEANOUT



## ENGINEERING SPECIFICATION

Zurn Z1400 level-trol adjustable floor cleanout features Dura-Coated cast iron body, gas and watertight ABS tapered thread plug, and round scoriated cast iron extra heavy-duty secured top (specify finish Z, ZB, ZN, ZS) adjustable to finished floor.

A Pipe Size/ Outlet Type	Dimensions in inches [mm]		Approximate Weight lb [kg]
	C	E Body Height Dimensions	
<b>Inside Caulk (IC)</b>			
2IC	6-1/8 [156]	6-7/8 [175]	14 [6]
3IC	6-1/8 [156]		14 [6]
4IC	7-1/4 [184]		18 [8]
6IC	9-1/4 [235]		32 [15]
<b>No-Hub (NH)</b>			
2NH	4-1/8 [105]	4-5/8 [117]	7 [3]
3NH	4-1/8 [105]	4-3/4 [121]	8 [4]
4NH	5-1/8 [130]	4-3/4 [121]	10 [5]
6NH	8-1/4 [210]	4-3/4 [121]	22 [10]
8NH	9-1/4 [235]	7-1/2 [191]	30 [14]
<b>Neo-Loc (NL)</b>			
2NL	4-1/8 [105]	4-3/4 [121]	8 [4]
3NL	5-1/8 [130]	4-3/4 [121]	11 [5]
4NL	5-1/8 [130]	4-3/4 [121]	12 [5]
6NL	8-1/4 [210]	5-7/8 [149]	22 [10]
8NL	9-1/4 [235]	6-1/2 [165]	24 [11]



BEST SELLERS	LIST PRICE
ZN1400-2NH	626.00
ZN1400-3NH	660.00
ZN1400-3NL	660.00
Z1400-4NH	695.00
Z1400-4NH-K	695.00
ZN1400-4NH	883.00
ZN1400-4NH-BP	1,077.00
ZB1400-4NH	821.00
ZS1400-4NH-HD	POA
Z1400-4NL	695.00
Z1400-4NL-BP	889.00
ZN1400-4NL	883.00
ZB1400-4NL	821.00
ZB1400-4NL-HD	979.00
ZS1400-4NL-HD	POA
Z1400-6NL	1,210.00

PREFIXES	DESCRIPTION	A PIPE SIZE	LIST PRICE
<b>Z1400*</b>	Dura-Coated Cast Iron	2"	510.00
		3"	582.00
		4"	695.00
		6"	1,210.00
		8"	1,434.00
<b>ZB1400</b>	D.C.C.I. with Polished Bronze Light-Duty Top (Deduct 1/2" from 'Y' Dim.)	2"	561.00
		3"	604.00
		4"	821.00
		6"	1,378.00
		8"	1,594.00
<b>ZN1400</b>	D.C.C.I. with Polished Nickel Bronze Light-Duty Top (Deduct 1/2" from 'Y' Dim.)	2"	626.00
		3"	660.00
		4"	883.00
		6"	1,434.00
		8"	1,639.00
<b>ZS1400</b>	D.C.C.I. with Polished Stainless Steel Heavy-Duty Top (Add 3/16" to 'Y' Dim.)	2"	POA
		3"	POA
		4"	POA
		5"	POA
		6"	POA
		8"	POA

OUTLET (SPECIFY PIPE SIZE IN INCHES AND TYPE OF OUTLET)				
TYPE	DESCRIPTION	PIPE SIZE/OUTLET TYPE	E BODY HT. DIM.	ADD
IC	Inside Caulk	2IC, 3IC, 4IC, 6IC	See Chart	N/C
NH	No-Hub	2NH, 3NH, 4NH, 6NH, 8NH	See Chart	N/C
NL	Neo-Loc	2NL, 3NL, 4NL, 6NL, 8NL	See Chart	N/C

SUFFIXES	ADD	
-AR	Acid Resisting Epoxy Coated Finish	351.00
-BP	Bronze Plug	2", 3", 4" 194.00 6", 8" 615.00
-CF	Carpet Flange Cover (ZB and ZN only)	286.00
-CM	Carpet Marker	80.00
-DC	Duresist Cover (Z and HD Only)	303.00
-DX	Round ZB or ZN Top with Dex-O-Tex Flange (2" thru 4" sizes only)	472.00
-G	Galvanized Cast Iron	223.00
-HD	Extra Heavy-Duty Veneer Top - Add 1/8" to 'Y' Dim. (ZB and ZN only)	158.00
-K	Anchor Flange	N/C
-KC	Anchor Flange with Clamping Collar	107.00
Ⓢ -PC	Protective Cover	64.00
-SG	Solid Gasketed Cover	303.00
-SM	Special Marking Stamped on Top	194.00
-T	Square Top	N/C
Ⓢ -TC	Neo-Loc Test Cap Gasket (2", 3", 4" NL Bottom Outlet Only)	24.00
-TX	Square Top Recessed for 1/8" Tile (ZB and ZN only)	N/C
-VP	Vandal-Proof Screws	72.00
-X	Round Top Recessed for 1/8" Tile (ZB and ZN only)	N/C
-Z	Round Top Recessed for 1-1/4" Terrazzo (ZB and ZN only)	351.00

\*Regularly furnished unless otherwise specified.

Items designated as Best Sellers are most specified and are generally in stock for shipment.

Ⓢ This symbol denotes a product that is engineered to reduce installation and rework time.

For additional product information, please visit [www.zurn.com](http://www.zurn.com)

# 🕒 Z1400-BZ "LEVEL-TROL" ADJUSTABLE LEVELING FLOOR CLEANOUT

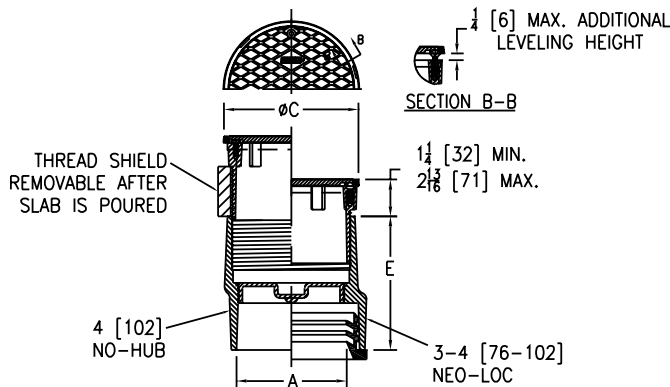


PATENTED

## ENGINEERING SPECIFICATION

Zurn Z1400-BZ level-trol adjustable leveling floor cleanout features Dura-Coated cast iron body, gas and watertight ABS tapered thread plug, and round scoriated secured light-duty top (specify finish ZB, ZN, ZS) with additional leveling adjustment to finished floor.

A Pipe Size/ Outlet Type	Dimensions in inches [mm]		Approximate Weight lb [kg]
	C	E Body Height Dimensions	
<b>No-Hub (NH)</b>			
4NH	5-1/32 [128]	4-3/4 [121]	10 [5]
<b>Neo-Loc (NL)</b>			
3NL	5-1/32 [128]	4-3/4 [121]	11 [5]
4NL			12 [5]



PREFIXES	DESCRIPTION	A PIPE SIZE	LIST PRICE
<b>ZB1400-BZ</b>	D.C.C.I. with Polished Bronze Top	3"	<b>604.00</b>
		4"	<b>821.00</b>
<b>ZN1400-BZ</b>	D.C.C.I. with Polished Nickel Bronze Top	3"	<b>660.00</b>
		4"	<b>883.00</b>
<b>ZS1400-BZ</b>	D.C.C.I. with Polished Type 304 (CF8) Stainless Steel Top	3"	<b>POA</b>
		4"	<b>POA</b>

OUTLET (SPECIFY PIPE SIZE IN INCHES AND TYPE OF OUTLET)				
TYPE	DESCRIPTION	PIPE SIZE/OUTLET TYPE	E BODY HT. DIM.	ADD
<b>NH</b>	No-Hub	4NH	See Chart	<b>N/C</b>
<b>NL</b>	Neo-Loc	3NL, 4NL	See Chart	<b>N/C</b>

SUFFIXES		ADD
<b>-AR</b>	Acid Resisting Epoxy Coated Finish	<b>351.00</b>
<b>-BP</b>	Bronze Plug	3", 4" <b>194.00</b>
<b>-CM</b>	Carpet Marker	<b>80.00</b>
<b>-G</b>	Galvanized Cast Iron	<b>223.00</b>
<b>-K</b>	Anchor Flange	<b>N/C</b>
<b>-KC</b>	Anchor Flange with Clamping Collar	<b>107.00</b>
🕒 <b>-PC</b>	Protective Cover	<b>64.00</b>
<b>-SM</b>	Special Marking Stamped on Top	<b>194.00</b>
🕒 <b>-TC</b>	Neo-Loc Test Cap Gasket (3"-4" NL Bottom Outlet Only)	<b>24.00</b>
<b>-VP</b>	Vandal-Proof Screws	<b>72.00</b>

BEST SELLERS		LIST PRICE
ZN1400BZ-4NL-TC		<b>907.00</b>
ZN1400BZ-4NL-VP		<b>955.00</b>

# 🕒 Z1400-SZ "LEVEL-TROL" SQUARE ADJUSTABLE LEVELING FLOOR CLEANOUT

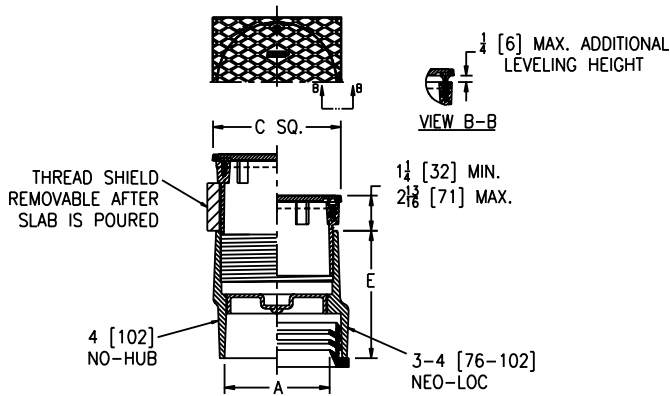


## ENGINEERING SPECIFICATION

Zurn Z1400-SZ level-trol square adjustable leveling floor cleanout features Dura-Coated cast iron body, gas and watertight ABS tapered thread plug, and round scoriated secured light-duty top (specify finish ZB, ZN, ZS) with additional leveling adjustment to finished floor.

PATENTED

A Pipe Size/ Outlet Type	Dimensions in inches [mm]		Approximate Weight lb [kg]
	C	E Body Height Dimensions	
<b>No-Hub (NH)</b>			
4NH	5-1/32 [128]	4-3/4 [121]	11 [5]
<b>Neo-Loc (NL)</b>			
3NL	5-1/32 [128]	4-3/4 [121]	11 [5]
4NL			12 [5]



PREFIXES	DESCRIPTION	A PIPE SIZE	LIST PRICE
<b>ZB1400-SZ</b>	D.C.C.I. with Polished Bronze Top	3"	<b>604.00</b>
		4"	<b>821.00</b>
<b>ZN1400-SZ</b>	D.C.C.I. with Polished Nickel Bronze Top	3"	<b>660.00</b>
		4"	<b>883.00</b>
<b>ZS1400-SZ</b>	D.C.C.I. with Polished Type 304 (CF8) Stainless Steel Top	3"	<b>POA</b>
		4"	<b>POA</b>

OUTLET (SPECIFY PIPE SIZE IN INCHES AND TYPE OF OUTLET)				
TYPE	DESCRIPTION	PIPE SIZE/OUTLET TYPE	E BODY HT. DIM.	ADD
<b>NH</b>	No-Hub	4NH	See Chart	<b>N/C</b>
<b>NL</b>	Neo-Loc	3NL, 4NL	See Chart	<b>N/C</b>

SUFFIXES			ADD
<b>-AR</b>	Acid Resisting Epoxy Coated Finish		<b>351.00</b>
<b>-BP</b>	Bronze Plug	3", 4"	<b>194.00</b>
<b>-CM</b>	Carpet Marker		<b>80.00</b>
<b>-G</b>	Galvanized Cast Iron		<b>223.00</b>
<b>-K</b>	Anchor Flange		<b>N/C</b>
<b>-KC</b>	Anchor Flange with Clamping Collar		<b>107.00</b>
<b>-SM</b>	Special Marking Stamped on Top		<b>194.00</b>
🕒 <b>-TC</b>	Neo-Loc Test Cap Gasket (3"-4" NL Bottom Outlet Only)		<b>24.00</b>
<b>-VP</b>	Vandal-Proof Screws		<b>72.00</b>

BEST SELLER	LIST PRICE
ZN1400-SZ-4NL	<b>883.00</b>

\*Regularly furnished unless otherwise specified.

Items designated as Best Sellers are most specified and are generally in stock for shipment.

🕒 This symbol denotes a product that is engineered to reduce installation and rework time.

For additional product information, please visit [www.zurn.com](http://www.zurn.com)

INTRO ROOF DRAINS FLOOR DRAINS T, P, BW VALVES INTERCEPTORS CARRIERS HYDRANTS CLEANOUTS W/HA SS DRAINS FAB SS DRAINS SAN-FLOOR TECH INFO

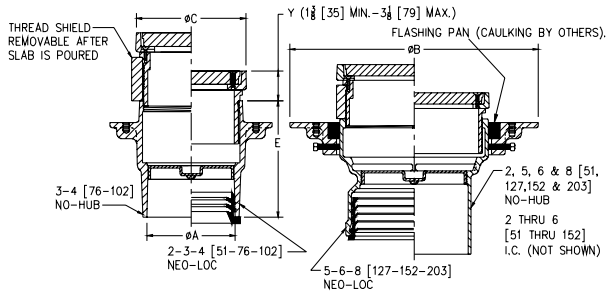
# Z1400-K HEAVY-DUTY "LEVEL-TROL" ADJUSTABLE FLOOR CLEANOUT WITH ANCHOR FLANGE



## ENGINEERING SPECIFICATION

Zurn Z1400-K level-trol adjustable floor cleanout features Dura-Coated cast iron body, anchor flange, gas and watertight ABS tapered thread plug, and round scoriated cast iron heavy-duty secured top (specify finish Z, ZB, ZN, ZS) adjustable to finished floor.

A Pipe Size/ Outlet Type	Dimensions in inches [mm]			Approximate Weight lb [kg]
	B	C	E Body Height Dimensions	
<b>Inside Caulk (IC)</b>				
2IC	9-1/2 [241]	6-1/8 [156]	6-7/8 [175]	18 [8]
3IC	9-1/2 [241]	6-1/8 [156]		19 [9]
4IC	11-1/2 [292]	7-1/4 [184]		20 [9]
6IC	12-1/4 [311]	9-1/4 [235]		39 [18]
<b>No-Hub (NH)</b>				
2NH	7-1/2 [191]	4-1/8 [105]	4-5/8 [117]	11 [5]
3NH	7-1/2 [191]	5-1/8 [130]	5-3/8 [137]	10 [5]
4NH	7-1/2 [191]	5-1/8 [130]	5-3/8 [137]	13 [6]
6NH	11-1/2 [292]	8-1/4 [210]	4-3/4 [121]	29 [13]
8NH	12-1/4 [311]	9-1/4 [235]	7-1/2 [191]	38 [17]
<b>Neo-Loc (NL)</b>				
2NL	7-1/2 [191]	5-1/8 [130]	5-3/8 [137]	12 [5]
3NL	7-1/2 [191]	5-1/8 [130]	5-3/8 [137]	13 [6]
4NL	7-1/2 [191]	5-1/8 [130]	5-3/8 [137]	14 [6]
6NL	11-1/2 [292]	8-1/4 [210]	5-7/8 [149]	29 [13]
8NL	12-1/4 [311]	9-1/4 [235]	6-1/2 [165]	32 [15]



Ⓢ Shown with -SA Stabilizer Option

PREFIXES	DESCRIPTION	A PIPE SIZE	LIST PRICE	
<b>Z1400-K*</b>	Dura-Coated Cast Iron	2"	510.00	
		3"	582.00	
		4"	695.00	
		6"	1,210.00	
		8"	1,434.00	
<b>ZB1400-K</b>	D.C.C.I. with Polished Bronze Light-Duty Top (Deduct 1/2" from 'Y' Dim.)	2"	561.00	
		3"	604.00	
		4"	821.00	
		6"	1,378.00	
		8"	1,594.00	
<b>ZN1400-K</b>	D.C.C.I. with Polished Nickel Bronze Light-Duty Top (Deduct 1/2" from 'Y' Dim.)	2"	626.00	
		3"	660.00	
		4"	883.00	
		6"	1,434.00	
		8"	1,639.00	
<b>ZS1400-K</b>	D.C.C.I. with Polished Stainless Steel Heavy-Duty Top (Add 3/16" to 'Y' Dim.)	2"	POA	
		3"	POA	
		4"	POA	
		6"	POA	
		8"	POA	
<b>OUTLET (SPECIFY PIPE SIZE IN INCHES AND TYPE OF OUTLET)</b>				
<b>TYPE</b>	<b>DESCRIPTION</b>	<b>PIPE SIZE/OUTLET TYPE</b>	<b>E BODY HT. DIM.</b>	<b>ADD</b>
<b>IC</b>	Inside Caulk	2IC, 3IC, 4IC, 6IC	See Chart	<b>N/C</b>
<b>NH</b>	No-Hub	2NH, 3NH, 4NH, 6NH, 8NH	See Chart	<b>N/C</b>
<b>NL</b>	Neo-Loc	2NL, 3NL, 4NL, 6NL, 8NL	See Chart	<b>N/C</b>
<b>SUFFIXES</b>				<b>ADD</b>
<b>-AR</b>	Acid Resisting Epoxy Coated Finish			<b>351.00</b>
<b>-BP</b>	Bronze Plug	2", 3", 4"		<b>194.00</b>
		6", 8"		<b>615.00</b>
<b>-C</b>	Clamp Collar			<b>107.00</b>
<b>-CF</b>	Carpet Flange Cover (ZB and ZN only)			<b>286.00</b>
<b>-CM</b>	Carpet Marker			<b>80.00</b>
<b>-DC</b>	Duresist Cover			<b>303.00</b>
<b>-DX</b>	Round ZB or ZN Top with Dex-O-Tex Flange (2" thru 4" sizes only)			<b>472.00</b>
<b>-G</b>	Galvanized Cast Iron			<b>223.00</b>
<b>-HD</b>	Heavy-Duty Veneer Top - Add 1/8" to 'Y' Dim. (ZB and ZN only)			<b>158.00</b>
Ⓢ <b>-SA</b>	Stabilizer Assembly (See Z1035)			<b>N/C</b>
<b>-SG</b>	Solid Gasketed Cover			<b>303.00</b>
<b>-SM</b>	Special Marking Stamped on Top			<b>194.00</b>
<b>-T</b>	Square Top			<b>N/C</b>
Ⓢ <b>-TC</b>	Neo-Loc Test Cap Gasket (2"-4" NL Bottom Outlet Only)			<b>24.00</b>
<b>-TX</b>	Square Top Recessed for 1/8" Tile (ZB and ZN only)			<b>N/C</b>
<b>-VP</b>	Vandal-Proof Screws			<b>72.00</b>
<b>-X</b>	Round Top Recessed for 1/8" Tile (ZB and ZN only)			<b>N/C</b>
<b>-Z</b>	Round Top Recessed for 1-1/4" Terrazzo (ZB and ZN only)			<b>351.00</b>
<b>BEST SELLERS</b>			<b>LIST PRICE</b>	
ZN1400-K-4NH			<b>883.00</b>	
ZN1400-K-4NL-BP			<b>1,077.00</b>	
ZN1400-K-6NH			<b>1,434.00</b>	



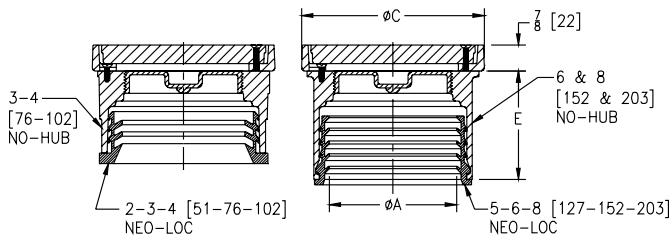
# Z1402 HEAVY-DUTY NON-ADJUSTABLE FLOOR CLEANOUT



## ENGINEERING SPECIFICATION

Zurn Z1402 tuf-top non-adjustable floor cleanout features Dura-Coated cast iron body, gas and watertight ABS tapered thread plug, and round scoriated cast iron heavy-duty secured cover and frame.

A Pipe Size/ Outlet Type	Dimensions in inches [mm]		Approximate Weight lb [kg]
	C	E Body Height Dimensions	
<b>Neo-Loc (NL)</b>			
2NL	4-1/8 [105]	2-3/4 [70]	5 [2]
3NL	5-1/8 [130]		8 [4]
4NL	6-1/8 [156]		10 [5]
5NL	7-1/4 [184]	3-5/8 [92]	15 [7]
6NL	8-1/4 [210]		17 [8]
8NL	9-1/4 [235]		22 [10]
<b>No-Hub (NH)</b>			
3NH	4-1/8 [105]	2-3/4 [70]	5 [2]
4NH	5-1/8 [130]		8 [4]
6NH	7-1/4 [184]	3-5/8 [92]	15 [7]
8NH	9-1/4 [235]		22 [10]



PREFIXES	DESCRIPTION	A PIPE SIZE	LIST PRICE
<b>Z1402*</b>	Dura-Coated Cast Iron	2"	343.00
		3"	455.00
		4"	455.00
		5"	626.00
		6"	626.00
		8"	1,230.00
<b>ZB1402</b>	D.C.C.I. with Polished Bronze Light-Duty Top (Deduct 1/2" from 7/8" Dim.)	2"	417.00
		3"	582.00
		4"	582.00
		5"	765.00
		6"	765.00
		8"	1,379.00
<b>ZN1402</b>	D.C.C.I. with Polished Nickel Bronze Light-Duty Top (Deduct 1/2" from 7/8" Dim.)	2"	433.00
		3"	645.00
		4"	645.00
		5"	817.00
		6"	817.00
		8"	1,441.00
<b>ZS1402</b>	D.C.C.I. with Polished Stainless Steel Heavy-Duty Top (Add 3/16" to 7/8" Dim.)	2"	POA
		3"	POA
		4"	POA
		5"	POA
		6"	POA
		8"	POA

OUTLET (SPECIFY PIPE SIZE IN INCHES AND TYPE OF OUTLET)				
TYPE	DESCRIPTION	PIPE SIZE/OUTLET TYPE	E BODY HT. DIM.	ADD
NH	No-Hub	3NH, 4NH, 6NH, 8NH	See Chart	N/C
NL	Neo-Loc	2NL, 3NL, 4NL, 5NL, 6NL, 8NL	See Chart	N/C

SUFFIXES			ADD
-BP	Bronze Plug	2", 3", 4", 5"	194.00
		6", 8"	615.00
-CM	Carpet Marker		80.00
-DX	Round ZB or ZN Top with Dex-O-Tex Flange (2", 3", 4", 5" sizes only)		472.00
-G	Galvanized Cast Iron		158.00
-HD	Heavy-Duty Veneer Top - Add 1/8" to 7/8" Dim. (ZB and ZN only)		158.00
-T	Square Top		N/C
Ⓢ -TC	Neo-Loc Test Cap Gasket (2", 3", 4" NL Bottom Outlet Only)		24.00
-VP	Vandal-Proof Screws		72.00

BEST SELLERS		LIST PRICE
Z1402-4NL		455.00
ZN1402-4NL-HD		803.00
Z1402-6NL		626.00
ZN1402-6NH-BP		1,432.00
ZN1402-6NL		817.00
Z1402-8NH		1,230.00

\*Regularly furnished unless otherwise specified.

Items designated as Best Sellers are most specified and are generally in stock for shipment.

Ⓢ This symbol denotes a product that is engineered to reduce installation and rework time.

For additional product information, please visit [www.zurn.com](http://www.zurn.com)

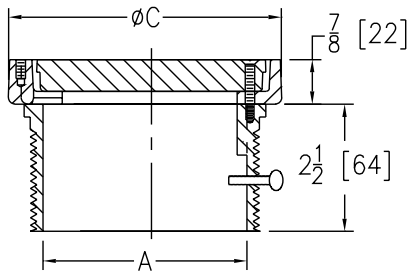
## Z1404 HEAVY-DUTY FLOOR ACCESS HOUSING



### ENGINEERING SPECIFICATION

Zurn Z1404 floor access housing features Dura-Coated cast iron with round frame and scoriated cast iron heavy-duty secured cover complete with adjusting setscrews.

A Pipe Size/Outlet Type	C inches [mm]	Approximate Weight lb [kg]
<b>Slip Joint (SJ)</b>		
3SJ	6-1/8 [156]	3 [1]
4SJ	7-1/4 [184]	4 [2]
6SJ	9-1/4 [235]	8 [4]



PREFIXES	DESCRIPTION	A PIPE SIZE	LIST PRICE
<b>Z1404*</b>	Dura-Coated Cast Iron	3", 4"	420.00
		6"	556.00
<b>ZN1404</b>	D.C.C.I. with Polished Nickel Bronze Light-Duty Top (Deduct 1/2" from 7/8" Dim.)	3", 4"	582.00
		6"	742.00
<b>ZS1404</b>	D.C.C.I. with Polished Stainless Steel Heavy-Duty Top (Add 3/16" to 7/8" Dim.)	3", 4"	POA
		6"	POA

OUTLET (SPECIFY PIPE SIZE IN INCHES AND TYPE OF OUTLET)			
TYPE	DESCRIPTION	PIPE SIZE/OUTLET TYPE	ADD
<b>SJ</b>	Slip Joint	3SJ, 4SJ, 6SJ	N/C

SUFFIXES			ADD
<b>-HD</b>	Heavy-Duty Veneer Top (Add 1/8" to 2-1/2" Dim. for ZN only)		158.00
<b>-VP</b>	Vandal-Proof Screws		98.00

BEST SELLERS		LIST PRICE
Z1404-4		420.00
ZN1404-4		582.00
Z1404-6		556.00
ZN1404-6		742.00

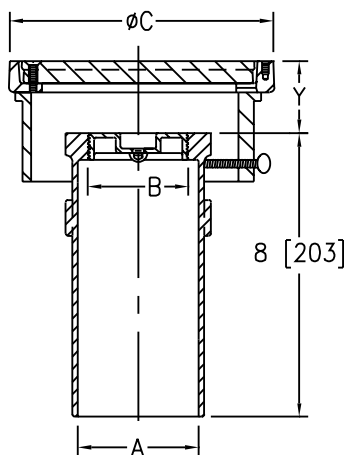
## Z1406 HEAVY-DUTY ADJUSTABLE SPIGOT CLEANOUT



### ENGINEERING SPECIFICATION

Zurn Z1406 adjustable floor cleanout uses spigot connection for caulking into hub. Features Dura-Coated cast iron body, gas and watertight ABS plug, and cast iron housing with round scoriated secured cast iron heavy-duty cover adjustable to finished floor.

A Pipe Size/Outlet Type	B N.P.T.	Dimensions in inches [mm]			Approximate Weight lb [kg]
		C	Y		
			Min.	Max.	
<b>Spigot (SP)</b>					
3SP	2	6-1/8 [156]	7/8 [22]	2 [51]	11 [5]
4SP	3-1/2	7-1/4 [184]			15 [7]
6SP	3-1/2	9-1/4 [235]			23 [10]



PREFIXES	DESCRIPTION	A PIPE SIZE	LIST PRICE
<b>Z1406*</b>	Dura-Coated Cast Iron	3"	489.00
		4"	597.00
		6"	1,139.00
<b>ZN1406</b>	D.C.C.I. with Polished Nickel Bronze Light-Duty Top (Deduct 1/2" from 'Y' Dim.)	3"	765.00
		4"	883.00
		6"	1,758.00
<b>ZS1406</b>	D.C.C.I. with Polished Stainless Steel Heavy-Duty Top (Add 3/16" to 'Y' Dim.)	3"	POA
		4"	POA
		6"	POA

OUTLET (SPECIFY PIPE SIZE IN INCHES AND TYPE OF OUTLET)			
TYPE	DESCRIPTION	PIPE SIZE/OUTLET TYPE	ADD
<b>SP</b>	Spigot	3SP, 4SP, 6SP	N/C

SUFFIXES			ADD
<b>-AR</b>	Acid Resisting Epoxy Coated Finish		351.00
<b>-BP</b>	Bronze Plug	3", 4"	194.00
		6"	615.00

<b>-CF</b>	Carpet Flange (ZN only)		286.00
<b>-CM</b>	Carpet Marker		80.00
<b>-DC</b>	Duresist Cover		303.00
<b>-DX</b>	Round Top with Dex-O-Tex Flange (2" thru 4" sizes only)		472.00
<b>-G</b>	Galvanized Cast Iron		223.00
<b>-HD</b>	Heavy-Duty Veneer Top (Add 1/8" to 'Y' Dim. for ZN only)		158.00
<b>-SG</b>	Solid Gasketed Cover		303.00
<b>-SM</b>	Special Marking Stamped on Top		194.00
<b>-T</b>	Square Top		N/C
<b>-TX</b>	Square Top Recessed for 1/8" Tile (ZN only)		N/C
<b>-VP</b>	Vandal-Proof Screws		72.00
<b>-X</b>	Round Top Recessed for 1/8" Tile (ZN only)		N/C

BEST SELLER		LIST PRICE
ZN1406-4		883.00

For additional product information, please visit [www.zurn.com](http://www.zurn.com)

\*Regularly furnished unless otherwise specified.

Items designated as Best Sellers are most specified and are generally in stock for shipment.

Ⓢ This symbol denotes a product that is engineered to reduce installation and rework time.

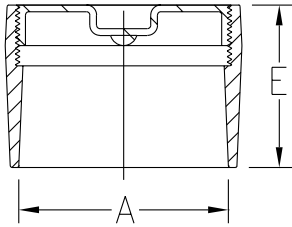
# Z1440 CLEANOUT FERRULE WITH PLUG



## ENGINEERING SPECIFICATION

Zurn Z1440 cleanout features Dura-Coated cast iron body with gas and watertight ABS tapered thread plug.

A Pipe Size/Outlet Type	E Body Height Dimensions inches [mm]	Approximate Weight lb [kg]
<b>No-Hub (NH)</b>		
2NH	2-1/2 [64]	2 [1]
3NH	2-3/4 [70]	4 [2]
4NH	3 [76]	5 [2]
6NH	3 [76]	8 [4]
8NH	3-1/2 [89]	13 [6]



PREFIXES	DESCRIPTION	A PIPE SIZE	LIST PRICE
<b>Z1440*</b>	D.C.C.I. and ABS Plug	2"	98.00
		3"	150.00
		4"	206.00
		6"	420.00
		8"	781.00

OUTLET (SPECIFY PIPE SIZE IN INCHES AND TYPE OF OUTLET)				
TYPE	DESCRIPTION	PIPE SIZE/OUTLET TYPE	E BODY HT. DIM.	ADD
<b>NH</b>	No-Hub	2NH, 3NH, 4NH, 6NH, 8NH	See Chart	<b>N/C</b>

SUFFIXES				
ADD				
<b>-BP</b>	Bronze Plug		2", 3", 4"	194.00
			6", 8"	615.00

<b>-G</b>	Galvanized Cast Iron			158.00
-----------	----------------------	--	--	--------

BEST SELLERS				LIST PRICE
Z1440-4NH				206.00
Z1440-4NH-BP				400.00
Z1440-6NH-BP				1,035.00

\*Regularly furnished unless otherwise specified.

Items designated as Best Sellers are most specified and are generally in stock for shipment.

🕒 This symbol denotes a product that is engineered to reduce installation and rework time.

For additional product information, please visit [www.zurn.com](http://www.zurn.com)

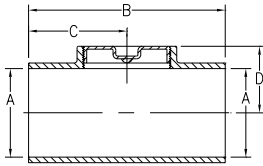
## Z1445 CLEANOUT TEE



### ENGINEERING SPECIFICATION

Zurn Z1445 cleanout tee features Dura-Coated cast iron body with gas and watertight ABS tapered thread plug.

A Pipe Size/ Outlet Type	Dimensions in inches [mm]			Approximate Weight lb [kg]
	B	C	D	
<b>No Hub (NH)</b>				
2NH	6-3/8 [162]	3-3/16 [81]	1-3/4 [44]	8 [4]
3NH	7-3/4 [197]	3-7/8 [98]	2-1/2 [64]	15 [7]
4NH	8-7/8 [225]	4-7/16 [113]	3 [76]	16 [7]
6NH	12-1/2 [317]	6-1/4 [159]	4-5/16 [109]	35 [16]
8NH	17 [432]	8-1/2 [216]	6-3/8 [162]	49 [22]



PREFIXES	DESCRIPTION	A PIPE SIZE	LIST PRICE
Z1445*	Dura-Coated Cast Iron	2"	228.00
		3"	285.00
		4"	442.00
		6"	1,254.00
		8"	1,558.00

OUTLET (SPECIFY PIPE SIZE IN INCHES AND TYPE OF OUTLET)				
TYPE	DESCRIPTION	PIPE SIZE/OUTLET TYPE	E BODY HT. DIM.	ADD
NH	No-Hub	2NH, 3NH, 4NH, 6NH, 8NH	See Chart	N/C
SUFFIXES				
-BP	Bronze Plug	2", 3", 4"		194.00
		6", 8"		615.00
-G	Galvanized Cast Iron			223.00

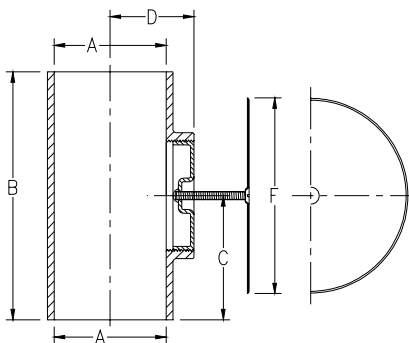
## Z1446 CLEANOUT WITH ROUND WALL ACCESS COVER



### ENGINEERING SPECIFICATION

ZURN Z1446 Cleanout Tee, Dura-Coated cast iron body, gas and watertight ABS tapered thread plug, and round, smooth stainless steel wall access cover with securing screw.

A Pipe Size/ Outlet Type	Dimensions in Inches [mm]					App. Wt. Lbs. [Kg]
	B	C	D	F	G	
<b>No Hub (NH)</b>						
2NH	6-3/8 [162]	3-3/16 [81]	1-3/4 [44]	7 [178]	6 [152]	11 [5]
3NH	7-3/4 [197]	3-7/8 [98]	2-1/2 [64]			18 [8]
4NH	8-7/8 [225]	4-7/16 [113]	3 [76]			20 [9]
5NH	-	-	-	9 [229]	8 [203]	21 [10]
6NH	12-1/2 [317]	6-1/4 [159]	4-5/16 [109]			31 [14]
<b>Hub x Spigot (HB x SP)</b>						
2HB x SP	10 [254]	4-1/2 [114]	2-3/4 [70]	7 [178]	6 [152]	11 [5]
3HB x SP	12 [305]	5-3/4 [146]	3 [76]			18 [8]
4HB x SP	12 [305]	5-3/4 [146]	3-1/2 [89]			20 [9]
5HB x SP	13 [330]	6-1/4 [159]	4 [102]	9 [229]	8 [203]	21 [10]
6HB x SP	14 [356]	6-3/4 [171]	4-1/2 [114]			31 [14]



PREFIXES	DESCRIPTION	A PIPE SIZE	LIST PRICE
Z1446*	D.C.C.I. with Polished Stainless Steel Cover	2"	365.00
		3"	417.00
		4"	615.00
		5"	995.00
		6"	1,558.00
		8"	1,868.00
ZB1446	D.C.C.I. with Polished Bronze Cover	2"	323.00
		3"	376.00
		4"	569.00
		5"	957.00
		6"	1,518.00
		8"	1,829.00

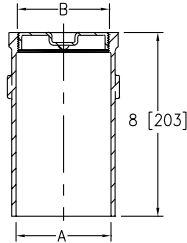
OUTLET (SPECIFY PIPE SIZE IN INCHES AND TYPE OF OUTLET)				
TYPE	DESCRIPTION	PIPE SIZE/OUTLET TYPE	E BODY HT. DIM.	ADD
NH	No-Hub	2NH, 3NH, 4NH, 6NH, 8NH	See Chart	N/C
HB x SP	Hub x Spigot	2HB x SP, 3HB x SP, 4HB x SP, 5HB x SP, 6HB x SP, 8HB x SP	See Chart	N/C
SUFFIXES				
-A	Raised Head Plug			N/C
-BP	Bronze Plug	2", 3", 4", 5"		194.00
		6", 8"		615.00
-G	Galvanized Cast Iron			224.00
-SL	Screws Longer Than 3-1/2" (Per Inch)			20.00
-VP	Vandal-Proof Screw			72.00

## Z1449 CLEANOUT FERRULE WITH PLUG



### ENGINEERING SPECIFICATION

Zurn Z1449 cleanout ferrule features Dura-Coated cast iron body with gas and watertight ABS countersunk plug.



A Pipe Size/Outlet Type	B N.P.T.	Approximate Weight lb [kg]
<b>Spigot (SP)</b>		
3SP	2	6 [3]
4SP	3-1/2	8 [4]
6SP	3-1/2	13 [6]

PREFIXES	DESCRIPTION	A PIPE SIZE	LIST PRICE
<b>Z1449*</b>	Dura-Coated Cast Iron with ABS Plug	3"	235.00
		4"	245.00
		6"	633.00

OUTLET (SPECIFY PIPE SIZE IN INCHES AND TYPE OF OUTLET)				
TYPE	DESCRIPTION	PIPE SIZE/OUTLET TYPE	E BODY HT. DIM.	ADD
<b>SP</b>	Spigot	3SP, 4SP, 6SP	See Chart	<b>N/C</b>
SUFFIXES				
ADD				
<b>-A</b>	Raised Head Plug			<b>N/C</b>
<b>-BP</b>	Bronze Plug	3", 4"		194.00
		6"		615.00
<b>-G</b>	Galvanized Cast Iron			158.00
BEST SELLER				LIST PRICE
Z1449-4SP				245.00

## Z1454 ADJUSTABLE FLOOR CLEANOUT WITH FLASHING FLANGE



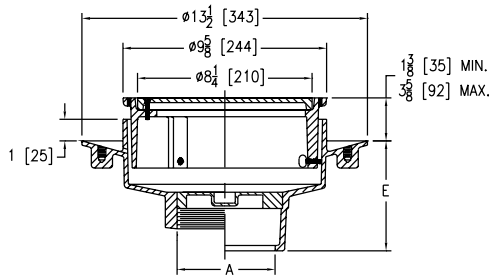
### ENGINEERING SPECIFICATION

Zurn Z1454 adjustable floor cleanout features Dura-Coated cast iron body, gas and watertight brass tapered thread plug, and round scoriated brass tapered thread plug, and round scoriated Dura-Coated cast iron adjustable top complete with membrane flashing flange.

A Pipe Size/Outlet Type	Approximate Weight lb [kg]
<b>Inside Caulk (IC)</b>	
2IC, 3IC	33 [15]
4IC	34 [15]
<b>Threaded (IP)</b>	
2IP, 3IP	33 [15]
4IP	34 [15]

PREFIXES	DESCRIPTION	A PIPE SIZE	LIST PRICE
<b>Z1454*</b>	Dura-Coated Cast Iron	2", 3"	1,215.00
		4"	1,254.00
<b>ZN1454</b>	D.C.C.I. with Polished Nickel Bronze Top (Add 3/16" to 1-3/8" min. - 3-5/8" max. dim.)	2", 3"	1,617.00
		4"	1,657.00

OUTLET (SPECIFY PIPE SIZE IN INCHES AND TYPE OF OUTLET)				
TYPE	DESCRIPTION	PIPE SIZE/OUTLET TYPE	E BODY HT. DIM.	ADD
<b>IC</b>	Inside Caulk	2IC, 3IC, 4IC	5-1/4"	<b>N/C</b>
<b>IP</b>	Threaded	2IP, 3IP, 4IP	4-1/4"	<b>N/C</b>
SUFFIXES				
ADD				
<b>-C</b>	Clamp Collar			<b>N/C</b>
<b>-G</b>	Galvanized Cast Iron			445.00
<b>-VP</b>	Vandal-Proof Secured Top			150.00
Best Seller				List Price
Z1454-4IP				1,254.00



\*Regularly furnished unless otherwise specified.

Items designated as Best Sellers are most specified and are generally in stock for shipment.

⌚ This symbol denotes a product that is engineered to reduce installation and rework time.

For additional product information, please visit [www.zurn.com](http://www.zurn.com)

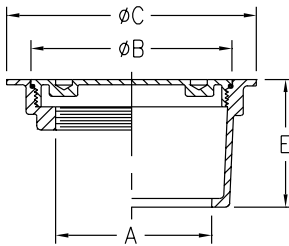
## Z1456 DECK CLEANOUT



### ENGINEERING SPECIFICATION

Zurn ZANB1456 deck cleanout features nickel bronze body with scoriated deck plug and O-ring seal.

A Pipe Size/ Outlet Type	Dimensions in inches [mm]		Approximate Weight lb [kg]
	B	C	
<b>Inside Caulk (IC)</b>			
3IC	5 [127]	6 [152]	4 [2]
4IC	6 [152]	7-3/8 [187]	6 [3]
6IC	8 [203]	9-3/8 [238]	12 [5]
<b>Threaded (IP)</b>			
3IP	3-1/2 [89]	4-7/8 [124]	4 [2]
4IP	4-1/2 [114]	6 [152]	6 [3]
6IP	7-7/8 [200]	9-3/8 [238]	12 [5]
8IP	9-7/8 [251]	11 [279]	16 [7]



PREFIXES	DESCRIPTION	A PIPE SIZE	LIST PRICE
ZANB1456*	Nickel Bronze with Polished Scoriated Top	3"	678.00
		4"	756.00
		6"	1,298.00
		8"	2,530.00

OUTLET (SPECIFY PIPE SIZE IN INCHES AND TYPE OF OUTLET.)				
TYPE	DESCRIPTION	PIPE SIZE/OUTLET TYPE	E BODY HT. DIM.	ADD
IC	Inside Caulk	3IC, 4IC	3-1/4"	N/C
		6IC	3-1/2"	N/C
IP	Threaded	3IP, 4IP	1-1/2"	N/C
		6IP	1-5/8"	N/C
		8IP	2"	N/C
SUFFIXES				ADD
-SW	Extra Spanner Wrench			150.00
BEST SELLER			LIST PRICE	
ZANB1456-4IC			756.00	

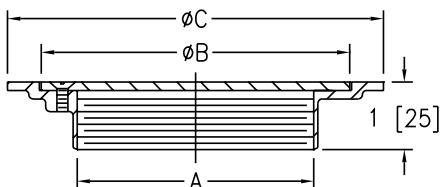
## Z1457 FLOOR ACCESS COVER



### ENGINEERING SPECIFICATION

Zurn ZANB1457 floor access cover features nickel bronze body with round, scoriated secured cover.

A Pipe Size/ Outlet Type	Dimensions in inches [mm]		Approximate Weight lb [kg]
	B	C	
<b>Threaded (IP)</b>			
2IP	4-1/2 [114]	5-1/2 [140]	4 [2]
3IP	4-1/2 [114]	5-1/2 [140]	4 [2]
4IP	5-3/4 [146]	6-3/4 [171]	5 [2]
5IP	7 [178]	8 [203]	6 [3]
6IP	8-1/4 [210]	9-1/2 [241]	8 [4]
8IP	10-1/4 [260]	11-1/2 [292]	12 [5]



PREFIXES	DESCRIPTION	A PIPE SIZE	LIST PRICE	
ZANB1457*	Nickel Bronze with Polished Scoriated Cover	2"	455.00	
		3"	1,208.00	
		4"	1,367.00	
		5"	1,785.00	
		6"	1,051.00	
		8"	2,857.00	
ZAB1457	Bronze with Polished Scoriated Cover	2"	412.00	
		3"	561.00	
		4"	1,208.00	
		5"	850.00	
		6"	939.00	
		8"	1,355.00	
OUTLET (SPECIFY PIPE SIZE IN INCHES AND TYPE OF OUTLET.)				
TYPE	DESCRIPTION	PIPE SIZE/OUTLET TYPE	E BODY HT. DIM.	ADD
IP	Threaded	2IP, 3IP, 4IP, 5IP, 6IP, 8IP	See Chart	N/C
SUFFIXES				ADD
-VP	Vandal-Proof Screws			72.00
SEE LEGACY ADDENDUM ON PAGE 369 FOR MORE INFORMATION				

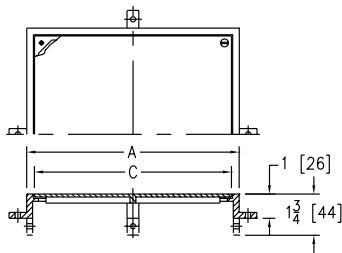
## Z1460 SQUARE WALL ACCESS PANEL



### ENGINEERING SPECIFICATION

Zurn ZANB1460 square wall access panel and frame features smooth, stainless steel panel secured to nickel bronze frame, set flush to finished wall plane, and securing lugs.

Product Designation	Dimensions in inches [mm]		Approximate Weight lb [kg]
	A Frame Size	C Opening Size	
-7	7 x 7 [178]	6 x 6 [152]	3 [1]
-9	9 x 9 [229]	8 x 8 [203]	5 [2]
-10	10 x 10 [254]	9 x 9 [229]	7 [3]
-11	11 x 11 [279]	10 x 10 [254]	10 [5]



PREFIXES	DESCRIPTION	PRODUCT DESIG.	A FRAME SIZE	LIST PRICE
<b>ZANB1460*</b>	Nickel Bronze with Polished Scoriated Cover	-7	7" x 7"	<b>604.00</b>
		-9	9" x 9"	<b>885.00</b>
		-10	10" x 10"	<b>957.00</b>
		-11	11" x 11"	<b>1,032.00</b>
<b>ZAB1460</b>	Bronze with Polished Scoriated Cover	-7	7" x 7"	<b>527.00</b>
		-9	9" x 9"	<b>775.00</b>
		-10	10" x 10"	<b>827.00</b>
		-11	11" x 11"	<b>923.00</b>
SUFFIXES				ADD
<b>-SC</b>	Scoriated Cover			<b>N/C</b>
<b>-VP</b>	Vandal-Proof Screws			<b>72.00</b>
BEST SELLERS				LIST PRICE
ZANB1460-10-SC				<b>957.00</b>
ZANB1460-11				<b>1,032.00</b>
ZANB1460-7				<b>604.00</b>

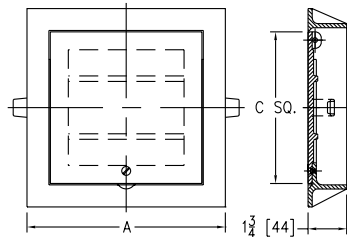
## Z1461 SQUARE HINGED ACCESS PANEL



### ENGINEERING SPECIFICATION

Zurn Z1461 square hinged access panel features Dura-Coated cast iron, secured access panel, and frame with anchor lugs. Set flush with wall or floor for light-duty applications.

Product Designation	Dimensions in inches [mm]		Approximate Weight lb [kg]
	A Frame Size	C	
-8	8 x 8 [203]	6 [152]	5 [2]
-10	10 x 10 [254]	7 [178]	7 [3]
-12	12 x 12 [305]	10 [254]	11 [5]
-14	14 x 14 [356]	12-1/2 [317]	15 [7]



PREFIXES	DESCRIPTION	PRODUCT DESIG.	A FRAME SIZE	LIST PRICE
<b>Z1461*</b>	Dura-Coated Cast Iron with Scoriated Cover	-12	12" x 12"	<b>756.00</b>
<b>ZAB1461</b>	Bronze with Polished Scoriated Cover	-8	8" x 8"	<b>719.00</b>
		-10	10" x 10"	<b>1,032.00</b>
		-12	12" x 12"	<b>1,254.00</b>
<b>ZANB1461</b>	Nickel Bronze with Polished Scoriated Cover	-10	10" x 10"	<b>1,169.00</b>
		-12	12" x 12"	<b>1,379.00</b>
		-14	14" x 14"	<b>2,384.00</b>
SUFFIXES				ADD
<b>-VP</b>	Vandal-Proof Screws			<b>72.00</b>
BEST SELLER				LIST PRICE
ZANB1461-14-VP				<b>2,456.00</b>

\*Regularly furnished unless otherwise specified.

Items designated as Best Sellers are most specified and are generally in stock for shipment.

⌚ This symbol denotes a product that is engineered to reduce installation and rework time.

For additional product information, please visit [www.zurn.com](http://www.zurn.com)

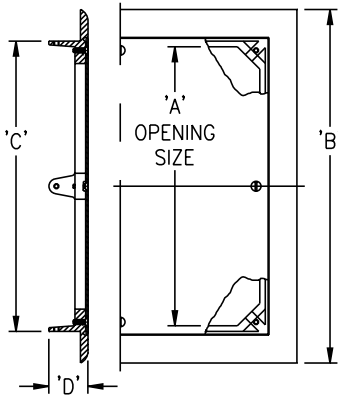
## Z1462 SECURED WALL ACCESS PANEL



### ENGINEERING SPECIFICATION

Zurn ZANB1462 secured wall access panel features square, smooth nickel bronze panel, frame with beveled edge, and anchor lugs for over wall installation.

Product Designation	Dimensions in inches [mm]				Approximate Weight lb [kg]
	A Square	B Square	C Square	D	
-6	5-15/16 [151]	7-1/2 [191]	6-1/2 [165]	1-1/4 [32]	3 [1]
-8	7-1/4 [184]	9-3/4 [248]	7-5/8 [194]	1-5/16 [33]	5 [2]
-10	9-3/8 [238]	11-7/8 [302]	9-3/4 [248]	1-5/16 [33]	7 [3]
-12	11-3/8 [289]	13-7/8 [352]	11-3/4 [298]	1-5/16 [33]	11 [5]



PREFIXES	DESCRIPTION	PRODUCT DESIG.	LIST PRICE
ZANB1462*	Nickel Bronze with Polished Cover	-6	604.00
		-8	883.00
		-10	957.00
		-12	1,032.00

SUFFIXES	ADD	
-VP	Vandal-Proof Screws	72.00

BEST SELLER	LIST PRICE
ZANB1462-8	883.00

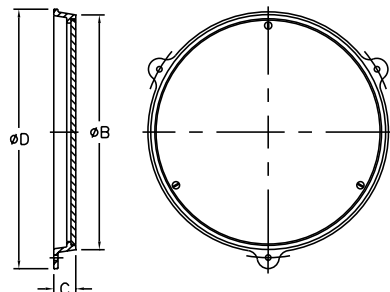
## Z1463 ROUND SCORIATED ACCESS COVER



### ENGINEERING SPECIFICATION

Zurn ZANB1463 features access panel and frame, round, scoriated, nickel bronze panel secured to frame, set flush to finished wall plane or floor, and anchor lugs.

Product Designation	Dimensions in inches [mm]				Approximate Weight lb [kg]
	Nominal Pipe Size	B	C	D	
-7	2 [51], 3 [76], 4 [102]	6-5/8 [168]	3/4 [19]	7-1/2 [191]	6 [3]
-11	5 [127], 6 [152], 8 [203]	10-3/4 [273]	1 [25]	11-7/8 [302]	12 [5]



PREFIXES	DESCRIPTION	A PIPE SIZE	LIST PRICE
ZANB1463*	Nickel Bronze with Polished Scoriated Cover	2", 3", 4"	351.00
		5", 6", 8"	883.00
ZAB1463	Bronze with Polished Scoriated Cover	2", 3", 4"	323.00
		5", 6", 8"	775.00

SUFFIXES	ADD	
-VP	Vandal-Proof Screws	72.00

BEST SELLERS	LIST PRICE
ZANB1463-11	883.00
ZANB1463-7	351.00

SEE LEGACY ADDENDUM ON PAGE 369 FOR MORE INFORMATION



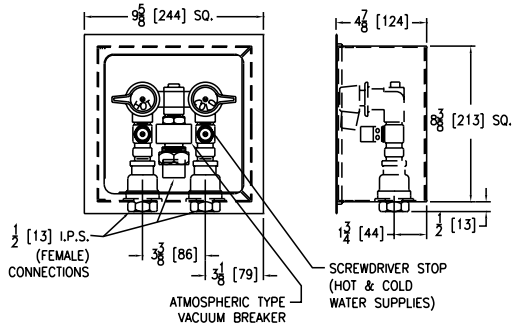
## Z1464 WATER SUPPLY CONTROL BOX ASSEMBLY



### ENGINEERING SPECIFICATION

Zurn ZS1464 water supply control box assembly features 18-8 Type 304 stainless steel, cylinder lock and hinged cover, bronze control valves, screwdriver stops, and atmospheric type vacuum breaker.

A Opening Size inches [mm]	Approximate Weight lb [kg]
8-1/2 [216] x 8-1/2 [216]	17 [8]



PREFIXES	DESCRIPTION	A OPENING SIZE	LIST PRICE
<b>ZS1464*</b>	Type 304 Stainless Steel	8-1/2" x 8-1/2"	<b>5,330.00</b>
SUFFIXES		DEDUCT	
<b>-LM</b>	Less Internal Mixing Valve Assembly		<b>-1,576.00</b>
BEST SELLER		LIST PRICE	
ZS1464			<b>5,330.00</b>

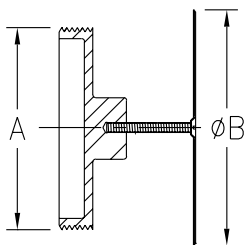
## Z1468 ACCESS COVER AND PLUG



### ENGINEERING SPECIFICATION

Zurn ZS1468 round stainless steel wall access cover comes complete with securing screw and bronze raised hex head plug.

Product Designation	Dimensions in inches [mm]		Approximate Weight lb [kg]
	A Pipe Size	C	
-1.25	1-1/4 [32]	4 [102]	4 [2]
-1.5	1-1/2 [38]		
-2	2 [51]		
-2.5	2-1/2 [64]	5 [127]	5 [2]
-3	3 [76]		
-3.5	3-1/2 [89]		
-4	4 [102]	7 [178]	8 [4]
-5	5 [127]		
-6	6 [152]		
-8	8 [203]	11 [279]	25 [11]



PREFIXES	DESCRIPTION	A PIPE SIZE	LIST PRICE
<b>ZS1468*</b>	Bronze with Stainless Steel Cover	1-1/4", 1-1/2"	<b>181.00</b>
		2"	<b>194.00</b>
		2-1/2"	<b>206.00</b>
		3"	<b>235.00</b>
		3-1/2"	<b>292.00</b>
		4"	<b>306.00</b>
		5"	<b>433.00</b>
		6"	<b>660.00</b>
		8"	<b>1,195.00</b>
<b>ZAB1468</b>	Bronze Plug with Polished Bronze Cover	1-1/4", 1-1/2"	<b>140.00</b>
		2"	<b>150.00</b>
		2-1/2"	<b>165.00</b>
		3"	<b>194.00</b>
		3-1/2"	<b>257.00</b>
		4"	<b>267.00</b>
		5"	<b>385.00</b>
		6"	<b>618.00</b>
		8"	<b>1,154.00</b>
SUFFIXES		ADD	
<b>-SL</b>	Screws Longer Than 3-1/2" (Per Inch)		<b>20.00</b>
<b>-VP</b>	Vandal-Proof Screw		<b>72.00</b>
BEST SELLERS		LIST PRICE	
ZS1468-2			<b>194.00</b>
ZS1468-3			<b>235.00</b>
ZS1468-4			<b>306.00</b>
ZS1468-4-VP			<b>378.00</b>

\*Regularly furnished unless otherwise specified.

Items designated as Best Sellers are most specified and are generally in stock for shipment.

🕒 This symbol denotes a product that is engineered to reduce installation and rework time.

For additional product information, please visit [www.zurn.com](http://www.zurn.com)

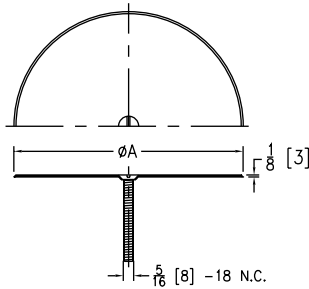
## Z1469 ROUND ACCESS COVER



### ENGINEERING SPECIFICATION

Zurn ZS1469 round stainless steel access cover comes complete with securing screw.

Product Designation	Dimensions in inches [mm]		Approximate Weight lb [kg]
	A Cover Diameter	Nominal Pipe Size	
-4	4 [102]	2 [51], 3 [76], 3-1/2 [89]	1 [0.5]
-5	5 [127]	2 [51], 3 [76], 3-1/2 [89]	1 [0.5]
-7	7 [178]	4 [102], 5 [127]	2 [1]
-9	9 [229]	6 [152]	3 [1]
-11	11 [279]	8 [203]	4 [2]



PREFIXES	DESCRIPTION	A PIPE SIZE	LIST PRICE
ZS1469*	Type 304 Stainless Steel Polished Cover	2", 3", 3-1/2"	140.00
		4", 5"	171.00
		6"	306.00
		8"	476.00

ZAB1469	Bronze Polished Cover	2", 3", 3-1/2"	98.00
		4", 5"	129.00
		6"	267.00
		8"	436.00

SUFFIXES	ADD	
-SL	Screws Longer Than 3-1/2" (Per Inch)	20.00
-VP	Vandal-Proof Screw	72.00

BEST SELLERS	LIST PRICE
ZS1469-4	140.00
ZS1469-5	140.00
ZS1469-7	171.00
ZS1469-9	306.00
ZS1469-11	476.00

SEE LEGACY ADDENDUM ON PAGE 369 FOR MORE INFORMATION

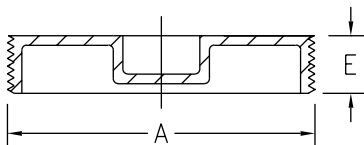
## Z1470 BRONZE CLEANOUT PLUG



### ENGINEERING SPECIFICATION

Zurn ZARB1470 bronze cleanout plug is a countersunk, ABS tapered thread plug.

Product Designation	Dimensions in inches [mm]		Approximate Weight lb [kg]
	A Pipe Size	E Body Height Dimensions	
-1.25	1-1/4 [32]	9/16 [14]	.5 [0.23]
-1.5	1-1/2 [38]	5/8 [16]	.5 [0.23]
-2	2 [51]	1/2 [13]	.75 [0.34]
-2.5	2-1/2 [64]	3/4 [19]	.75 [0.34]
-3	3 [76]	3/4 [19]	1 [0.5]
-3.5	3-1/2 [89]	3/4 [19]	1 [0.5]
-4	4 [102]	3/4 [19]	1.5 [0.6]
-5	5 [127]	3/4 [19]	1.5 [0.6]
-6	6 [152]	3/4 [19]	3 [1]
-8	8 [203]	3/4 [19]	7 [3]



PREFIXES	DESCRIPTION	A PIPE SIZE	LIST PRICE
ZARB1470*	Plain Bronze	1-1/4", 1-1/2"	47.00
		2"	107.00
		2-1/2"	135.00
		3"	185.00
		3-1/2"	158.00
		4"	171.00
		5"	497.00
		6"	666.00
		8"	1,367.00

SUFFIXES	ADD	
-A	Raised Head	N/C
-PW	Plug Wrench	84.00

SEE LEGACY ADDENDUM ON PAGE 369 FOR MORE INFORMATION

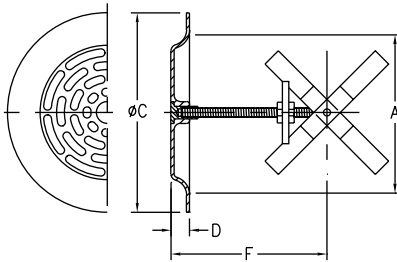
## Z1471 AIR INLET



### ENGINEERING SPECIFICATION

Zurn ZANB1471 fresh air inlet features round nickel bronze, crowned and perforated, complete with 4-point contact locking device.

Product Designation	Dimensions in inches [mm]				Open Area sq in [cm <sup>2</sup> ]	Approximate Weight lb [kg]
	A Pipe Size	C	D	F		
-3	3 [76]	8 [203]	3/4 [19]	6-1/4 [159]	9 [58]	3 [1]
-4	4 [102]					
-5	5 [127]	12 [305]	3/4 [19]	6-1/4 [159]	28 [181]	7 [3]
-6	6 [152]					
-8	8 [203]	15 [381]	3/4 [19]	6-1/4 [159]	55 [355]	9 [4]
-10	10 [254]					



PREFIXES	DESCRIPTION	PRODUCT DESIGNATION	A PIPE SIZE	LIST PRICE
<b>ZANB1471*</b>	Nickel Bronze with Polished Cover	-3	3"	577.00
		-4	4"	577.00
		-5	5"	977.00
		-6	6"	977.00
		-8	8"	1,558.00
		-10	10"	1,558.00
<b>ZAB1471</b>	Bronze with Polished Cover	-3	3"	489.00
		-4	4"	489.00
		-5	5"	767.00
		-6	6"	767.00
		-8	8"	1,187.00
		-10	10"	1,187.00
<b>SUFFIXES</b>				<b>ADD</b>
<b>-CP</b>	Chrome Plated			326.00

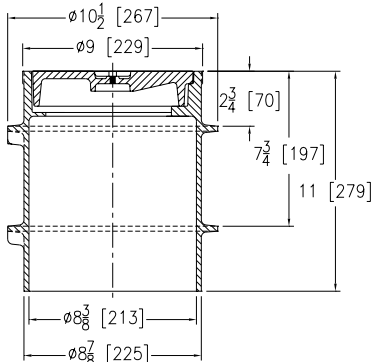
## Z1474 HEAVY-DUTY CLEANOUT HOUSING



### ENGINEERING SPECIFICATION

Zurn Z1474 heavy-duty cleanout housing features Dura-Coated cast iron body, integral anchor flange, and secured scoriated cover with lifting device.

A Pipe Size inches [mm]	Approximate Weight lb [kg]
8-3/8 [213]	40 [18]



PREFIXES	DESCRIPTION	A PIPE SIZE	LIST PRICE
<b>Z1474*</b>	Dura-Coated Cast Iron	8-3/8"	1,391.00
<b>ZN1474</b>	D.C.C.I. with Polished Nickel Bronze Top	8-3/8"	2,002.00
<b>SUFFIXES</b>			<b>ADD</b>
<b>-DC</b>	Duresist Cover		460.00
<b>-G</b>	Galvanized Cast Iron		556.00
<b>-N</b>	With Internal Cleanout (See Z1440)	4"	206.00
		6"	420.00
<b>-SG</b>	Solid Gasketed Cover		326.00
<b>-VP</b>	Vandal-Proof Screw		98.00
<b>BEST SELLERS</b>			<b>LIST PRICE</b>
Z1474-4-N			1,597.00
Z1474-4-N-VP			1,695.00
ZN1474-N-4			2,208.00
Z1474-6-N			1,811.00

\*Regularly furnished unless otherwise specified.

Items designated as Best Sellers are most specified and are generally in stock for shipment.

⌚ This symbol denotes a product that is engineered to reduce installation and rework time.

For additional product information, please visit [www.zurn.com](http://www.zurn.com)

**NOTES**

INTRO

ROOF DRAINS

FLOOR DRAINS

T, P, BW VALVES

INTERCEPTORS

CARRIERS

HYDRANTS

**CLEANOUTS**

WHA

SS DRAINS

FAB SS DRAINS

SANI-FLOOR

TECH INFO

# WATER HAMMER ARRESTORS

**Z1700** SHOKTROLS

**312**

**Z1712** ACCUMUTROL

**312**

## Z1700 SHOKTROLS

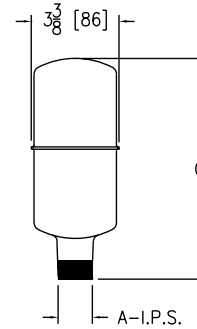


### ENGINEERING SPECIFICATION

Where required in piping systems, properly sized water hammer arrestors require Zurn Z1700 (specify size). Features nesting type bellows contained within a casing having sufficient displacement volume to dissipate the calculated kinetic energy generated in the piping system. Both casing and bellows are constructed of Type 304 stainless steel.

### NOTE:

All sizes of Zurn Z1700 Shoktrol water hammer arrestors comply with the following specifications:  
PDI WH-201  
ANSI A112.26.1M  
ASSE 1010



Size	Dimensions in inches [mm]		Approximate Weight lb [kg]	Fixture Unit Capacity
	A	C		
100	3/4 [19]	3-1/2 [89]	1 [0.5]	1-11
200			1-1/2 [0.68]	12-32
300	1 [25]	4-1/2 [114]	1-3/4 [0.79]	33-60
400			2-3/4 [1.25]	61-113
500			3-1/4 [1.5]	114-154
600			3-3/4 [1.7]	155-330

PREFIXES	DESCRIPTION	SIZE	LIST PRICE
Z*	Zurn Shoktrol Water Hammer Arrestors are regularly furnished in all stainless steel construction. Pipe threads are accurately machined to assure tight connection. 3/4" male I.P.S. inlet is standard for sizes 100 and 200, while 1" male I.P.S. inlet is standard for sizes 300 thru 600.	100	527.00
		200	1,063.00
		300	1,600.00
		400	4,002.00
		500	4,518.00
		600	5,552.00

BEST SELLERS	LIST PRICE
Z1700-100	527.00
Z1700-200	1,063.00
Z1700-300	1,600.00
Z1700-400	4,002.00

## Z1712 ACCUMUTROL

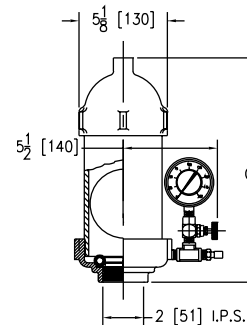


### ENGINEERING SPECIFICATION

Shock associated with solenoid or other quick-closing valves serving heavy equipment, such as laundry machines, dishwashers, etc., shall be controlled by installation of Zurn Z1712 Accumutrol. Comes complete with floating stainless steel spherical piston, surge chamber, valve and gauge assembly. Specify size and location.

### NOTE:

Maximum temperature 500°F. Maximum pressure 200 PSI residual.



Size	C inches [mm]	Approximate Weight lb [kg]
2000	13 [330]	20 [9]
4000	21 [533]	28 [13]
6000	29 [737]	36 [16]
8000	37 [940]	44 [20]
10000	45 [1143]	52 [24]
12000	53 [1346]	60 [27]
14000	61 [1549]	68 [31]
16000	69 [1753]	76 [34]

PREFIXES	DESCRIPTION	SIZE	LIST PRICE
Z*	Bronze surge chamber, Viton valve seat and stainless steel spherical piston.	2000	6,445.00
		4000	7,466.00
		6000	8,561.00
		8000	10,419.00
		10000	12,018.00
		12000	13,620.00
14000	20,363.00		
16000	22,479.00		

BEST SELLERS	LIST PRICE
Z1712-2000	6,445.00
Z1712-6000	8,561.00

# STAINLESS STEEL DRAINS

STAINLESS STEEL DRAINS – APPLICATION INDEX	318
STAINLESS STEEL DRAINS – BUTT-WELD ENGINEERING DATA	318
<b>Z1715</b> 15" DIAMETER ROOF DRAIN	319
<b>Z1717</b> SCUPPER DRAIN	319
<b>Z1720</b> 4" X 8" OPEN SIGHT DRIP DRAIN	320
<b>Z1721</b> 6" X 12" OPEN SIGHT DRIP DRAIN	320
<b>Z1724</b> ROUND FUNNEL	321
<b>Z1725</b> OVAL FUNNEL	321
<b>Z1726</b> ADJUSTABLE MEDIUM DUTY FLOOR DRAIN WITH ROUND TOP	322
<b>Z1727</b> ADJUSTABLE MEDIUM DUTY FLOOR DRAIN WITH SQUARE TOP	323
<b>Z1730</b> 9" DIAMETER HEAVY-DUTY SHALLOW TYPE FLOOR DRAIN	324
<b>Z1731</b> 9" DIAMETER HEAVY-DUTY MEDIUM DEPTH FLOOR DRAIN	324
<b>Z1732</b> 9-5/8" DIAMETER HEAVY-DUTY ADJUSTABLE FLOOR DRAIN	325
<b>Z1735</b> 12" DIAMETER HEAVY-DUTY FLOOR DRAIN	325
<b>Z1736</b> 12" DIAMETER EXTRA HEAVY-DUTY FLOOR DRAIN	326
<b>Z1737</b> 15" DIAMETER EXTRA HEAVY-DUTY FLOOR DRAIN	326
<b>Z1739</b> PIT DRAIN	327
<b>Z1740</b> BACKWATER VALVE	327
<b>Z1745</b> FLOOR CLEANOUT WITH O-RING SEAL PLUG	328
<b>Z1749</b> 12" X 12" SANI-FLOOR RECEPTOR WITH 4" SUMP DEPTH	329
<b>Z1750</b> 12" X 12" SANI-FLOOR RECEPTOR WITH 6" SUMP DEPTH	330
<b>Z1751</b> 12" X 12" SANI-FLOOR RECEPTOR WITH 8" SUMP DEPTH	331
<b>Z1752</b> 12" X 12" SANI-FLOOR RECEPTOR WITH 10" SUMP DEPTH	332
<b>Z1755</b> 13-3/8" SQUARE SANI-FLOOR RECEPTOR 6" SUMP WITH ADJUSTABLE CLAMP FRAME	333
<b>Z1761</b> 24-5/16" SQUARE KETTLE DRAIN WITH 8" SUMP DEPTH	333
<b>Z1762</b> 25" X 15-1/2" KETTLE DRAIN	334
<b>Z1763</b> 37-9/16" X 22-7/8" KETTLE DRAIN	335

## STAINLESS STEEL DRAINS – APPLICATION INDEX

Product selection should be made with a specific application and the type of construction in mind. The varied types and sizes of Zurn drainage products, together with their options, offer a drain selection for all applications.

APPLICATION	RECOMMENDED DRAINAGE PRODUCT
Main Roof Drain	Z1715
Wall or Scupper Drain	Z1717
Food Service Floor Drain	Z1749, Z1750, Z1751, Z1752, Z1761, Z1762, Z1763
Indirect Waste Floor Receptor	Z1720, Z1721, Z1750-1, Z1751-1, Z1752-1
Heavy-Duty Floor Drain	Z1730, Z1731, Z1732, Z1735, Z1737
Adjustable Floor Drain	Z1726, Z1727, Z1732
Extra-Heavy-Duty Floor Drain	Z1736, Z1737
Wall of Pitt Drain	Z1739
Backwater Valve	Z1740
Sanitary Floor Cleanout	Z1745
Pool Deck Drain	Z1723

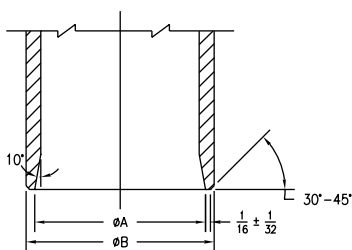
## STAINLESS STEEL DRAINS – BUTT-WELD ENGINEERING DATA

### Butt-Welding Casting Outlets

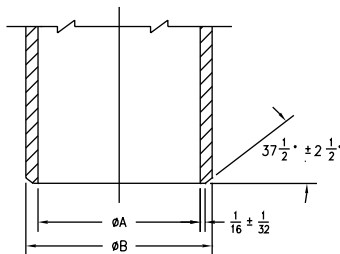
The outlet sections of all cast carbon steel or cast stainless steel products as specified from this brochure shall conform to ANSI-B36.10M-85 and ANSI-B36.19M-85 standards for pipe wall thicknesses for Schedule 10, Schedule 40, or Schedule 80 as specified.

Butt-welding ends of the above mentioned sections shall conform to ANSI B16.25-86 standard for plain welding bevel of  $37\frac{1}{2}^{\circ} + 2\frac{1}{2}^{\circ}$  and root face (land) of  $\frac{1}{16}'' + \frac{1}{32}''$ .

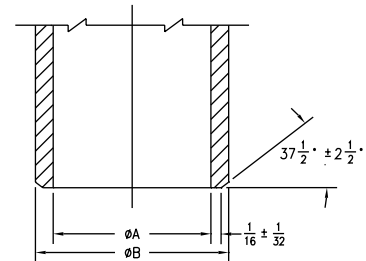
All outlet requirements must be specified and made known to the manufacturer prior to quotation of prices of products applicable to the project.



Schedule 10S Pipe



Schedule 40 Pipe



Schedule 80 Pipe

Schedule Pipe	Dimensions in Inches [mm]									
	Pipe Size									
	2 [51]		3 [76]		4 [102]		6 [152]		8 [203]	
	A	B	A	B	A	B	A	B	A	B
10S	2.157	2.375	3.260	3.500	4.260	4.500	6.375	6.625	8.329	8.625
40	2.067	2.375	3.068	3.500	4.026	4.500	6.065	6.625	7.981	8.625
80	1.939	2.375	2.900	3.500	3.826	4.500	5.761	6.625	7.625	8.625



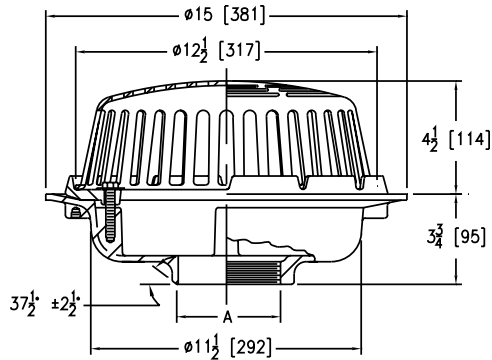
## Z1715 15" DIAMETER ROOF DRAIN



### ENGINEERING SPECIFICATION

Zurn Z1715 roof drain features Type 304 (CF8) stainless steel body, galvanized cast iron combination gravel guard/flashing clamp, and dome strainer.

Dimensions in inches [mm]		Approximate Weight lb [kg]	Dome Open Area sq in [cm <sup>2</sup> ]
A Pipe Size			
<b>Butt-Weld (BW) - Specify Schedule 10 or 40</b>			
3BW, 4BW		52 [24]	103 [665]
6BW		54 [24]	
<b>Threaded (IP)</b>			
3IP, 4IP		52 [24]	103 [665]



PREFIXES	DESCRIPTION	A PIPE SIZE	LIST PRICE
Z1715*	Type 304 (CF8) Stainless Steel Body	3", 4"	POA
		6"	POA
ZM1715	Type 316 (CF8M) Stainless Steel Body	3", 4"	POA
		6"	POA

OUTLETS (SPECIFY PIPE SIZE IN INCHES AND TYPE OF OUTLET)			
OUTLET TYPE		PIPE SIZE/OUTLET TYPE	ADD
BW	Butt-weld (Specify Schedule 10 or 40)	3BW, 4BW, 6BW	POA
IP	Threaded	3IP, 4IP	POA

SUFFIXES		ADD
-C	Galvanized Underdeck Clamp	POA
-DP	Top-Set® Roof Deck Plate (Replaces both the -C and -R)	POA
-E	Galvanized Extension (Specify height from 1" to 4")	POA
-R	Galvanized Steel Sump Receiver	POA
-VP	Vandal-Proof Secured Top	POA

BEST SELLER	LIST PRICE
Z1715-4IP-DP	POA

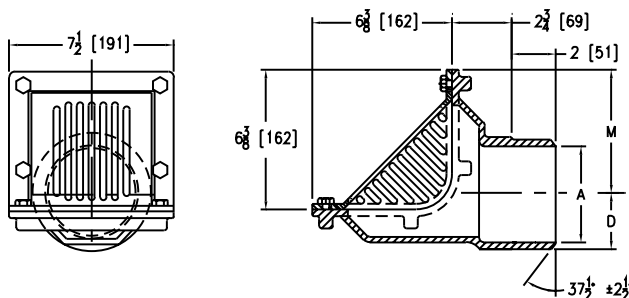
## Z1717 SCUPPER DRAIN



### ENGINEERING SPECIFICATION

Zurn Z1717 scupper drain features Type 304 (CF8) stainless steel body, cast aluminum oblique grate, and clamp collar.

Dimensions in inches [mm]			Approximate Weight lb [kg]	Grate Open Area sq in [cm <sup>2</sup> ]
A Pipe Size	D	M		
<b>Butt-weld (BW) - Specify Schedule 10 or 40</b>				
3BW	2 [51]	6-1/8 [156]	24 [11]	20 [129]
4BW	2-1/2 [63]	5-5/8 [143]		



PREFIXES	DESCRIPTION	A PIPE SIZE	LIST PRICE
Z1717*	Type 304 (CF8) Stainless Steel Body	3", 4"	POA
ZM1717	Type 316 (CF8M) Stainless Steel Body	3", 4"	POA

OUTLETS (SPECIFY PIPE SIZE IN INCHES AND TYPE OF OUTLET)			
OUTLET TYPE		PIPE SIZE/OUTLET TYPE	ADD
BW	Butt-weld (Specify Schedule 10 or 40)	3BW, 4BW	POA

SUFFIXES		ADD
-VP	Vandal-Proof Secured Top	POA

BEST SELLER	LIST PRICE
Z1717-4BW-SC40	POA

\*Regularly furnished unless otherwise specified.

Items designated as Best Sellers are most specified and are generally in stock for shipment.

⌚ This symbol denotes a product that is engineered to reduce installation and rework time.

For additional product information, please visit [www.zurn.com](http://www.zurn.com)

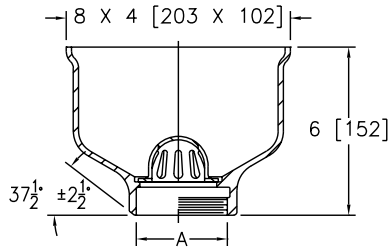
## Z1720 4" X 8" OPEN SIGHT DRIP DRAIN



### ENGINEERING SPECIFICATION

Zurn Z1720 4" x 8" open sight drip drain features Type 304 (CF8) stainless steel body and integral aluminum bottom dome strainer, all with plain finish.

Dimensions in inches [mm]		Approximate Weight lb [kg]
A Pipe Size		
<b>Butt-Weld (BW) - Specify Schedule 10 or 40</b>		
2BW, 3BW		13 [6]
<b>Threaded (IP)</b>		
2IP, 3IP		13 [6]



PREFIXES	DESCRIPTION	A PIPE SIZE	LIST PRICE
Z1720*	Type 304 (CF8) Stainless Steel Body	2", 3"	POA
ZM1720	Type 316 (CF8M) Stainless Steel Body	2", 3"	POA
<b>OUTLETS (SPECIFY PIPE SIZE IN INCHES AND TYPE OF OUTLET)</b>			
OUTLET TYPE		PIPE SIZE/OUTLET TYPE	ADD
BW	Butt-weld (Specify Schedule 10 or 40)	2BW, 3BW	POA
IP	Threaded	2IP, 3IP	POA
<b>SUFFIXES</b>			
-DB	Stainless Steel Dome Bottom Strainer		POA
-FG	Flush Gate		POA
<b>BEST SELLER</b>			<b>LIST PRICE</b>
Z1720-3IP			POA

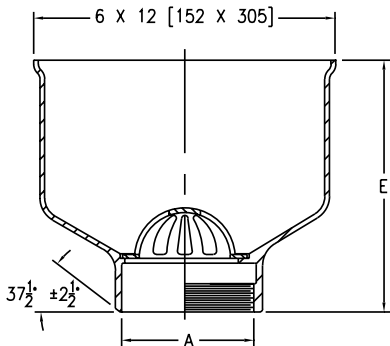
## Z1721 6" X 12" OPEN SIGHT DRIP DRAIN



### ENGINEERING SPECIFICATION

Zurn Z1721 6" x 12" open sight drip drain features Type 304 (CF8) stainless steel body and integral aluminum bottom dome strainer, all with plain finish.

Dimensions in inches [mm]		Approximate Weight lb [kg]
A Pipe Size	E Body Height Dimensions	
<b>Butt-Weld (BW) - Specify Schedule 10 or 40</b>		
3BW, 4BW, 6BW	10 [254]	30 [14]
<b>Threaded (IP)</b>		
3IP, 4IP, 6IP	10 [254]	30 [14]



PREFIXES	DESCRIPTION	A PIPE SIZE	LIST PRICE	
Z1721*	Type 304 (CF8) Stainless Steel Body	3", 4", 6"	POA	
ZM1721	Type 316 (CF8M) Stainless Steel Body	3", 4", 6"	POA	
<b>OUTLETS (SPECIFY PIPE SIZE IN INCHES AND TYPE OF OUTLET)</b>				
OUTLET TYPE		PIPE SIZE/OUTLET TYPE	E BODY HT. DIM.	ADD
BW	Butt-weld (Specify Schedule 10 or 40)	3BW, 4BW, 6BW	10"	POA
IP	Threaded	3IP, 4IP, 6IP	10"	POA
<b>SUFFIXES</b>				
-DB	Stainless Steel Dome Bottom Strainer		POA	
-FG	Flush Gate		POA	

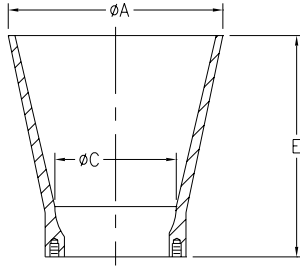
## Z1724 ROUND FUNNEL



### ENGINEERING SPECIFICATION

Zurn Z1724 4" or 6" diameter round funnel features Type 304 (CF8) stainless steel with satin finish and securing screws.

Dimensions in inches [mm]			Approximate Weight lb [kg]
A	C	E	
4 [102]	2-1/4 [57]	3-3/4 [95]	3 [1]
6 [152]	2-7/8 [73]	6 [152]	5 [2]



PREFIXES	DESCRIPTION	PRODUCT DESIG.	'A' DIA. SIZE	LIST PRICE
Z1724*	Type 304 (CF8) Stainless Steel Body	-4	4"	POA
		-6	6"	POA
ZM1724	Type 316 (CF8M) Stainless Steel Body	-4	4"	POA
		-6	6"	POA
BEST SELLER				LIST PRICE
Z1724-4				POA

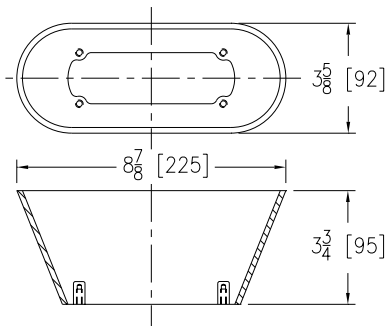
## Z1725 OVAL FUNNEL



### ENGINEERING SPECIFICATION

Zurn Z1725 8-7/8" x 3-5/8" oval funnel features Type 304 (CF8) stainless steel with satin finish and securing screws. (For use with 6" top size or larger.)

Dimensions in inches [mm]	Approximate Weight lb [kg]
A Oval Size	
8-7/8 [225] x 3-5/8 [92]	5 [2]



PREFIXES	DESCRIPTION	A PIPE SIZE	LIST PRICE
Z1725*	Type 304 (CF8) Stainless Steel Body	8-7/8" x 3-5/8"	POA
ZM1725	Type 316 (CF8M) Stainless Steel Body	8-7/8" x 3-5/8"	POA

\*Regularly furnished unless otherwise specified.

Items designated as Best Sellers are most specified and are generally in stock for shipment.

🕒 This symbol denotes a product that is engineered to reduce installation and rework time.

For additional product information, please visit [www.zurn.com](http://www.zurn.com)

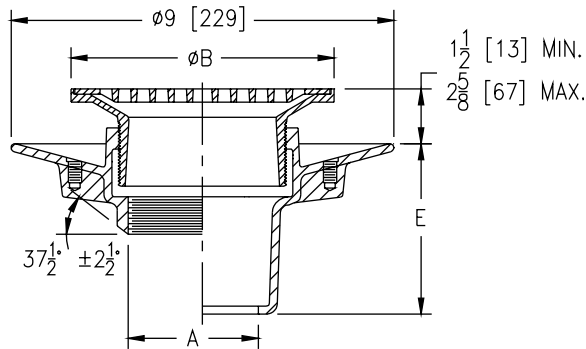
## Z1726 ADJUSTABLE MEDIUM DUTY FLOOR DRAIN WITH ROUND TOP



### ENGINEERING SPECIFICATION

Zurn Z1726 medium-duty adjustable floor drain features all Type 304 (CF8) stainless steel, anchor flange (clamp collar with seepage holes, when specified), and 6" diameter medium-duty vertically adjustable satin finish top.

Dimensions in inches [mm]			Approximate Weight lb [kg]	Grate Open Area sq in [cm <sup>2</sup> ]
A	B	E		
<b>Butt-Weld (BW) - Specify Schedule 10 or 40</b>				
2BW, 3BW	5 [127]	2-7/8 [73]	13 [6]	7 [45]
2BW, 3BW, 4BW	6 [152]		13 [6]	11 [71]
2BW, 3BW, 4BW	7 [178]		14 [6]	15 [97]
3BW, 4BW, 6BW	8 [203]		16 [7]	20 [129]
6BW	10 [254]		19 [9]	27 [174]
<b>Inside Caulk (IC)</b>				
2IC, 3IC	5 [127]	4-3/8 [111]	13 [6]	7 [45]
2IC, 3IC, 4IC	6 [152]		13 [6]	11 [71]
2IC, 3IC, 4IC	7 [178]		14 [6]	15 [97]
3IC, 4IC	8 [203]		16 [7]	20 [129]
<b>Threaded (IP)</b>				
2IP, 3IP	5 [127]	2-7/8 [73]	13 [6]	7 [45]
2IP, 3IP, 4IP	6 [152]		13 [6]	11 [71]
2IP, 3IP, 4IP	7 [178]		14 [6]	15 [97]
3IP, 4IP	8 [203]		16 [7]	20 [129]



PREFIXES	DESCRIPTION	STRAINER DESIG.	A PIPE SIZE	LIST PRICE
<b>Z1726*</b>	Type 304 (CF8) Stainless Steel Body	-RD5	2", 3"	POA
		-RD6	2", 3", 4"	POA
		-RD7	2", 3", 4"	POA
		-RD8	3", 4", 6"	POA
		-RD10	6"	POA
<b>ZM1726</b>	Type 316 (CF8M) Stainless Steel Body	-RD5	2", 3"	POA
		-RD6	2", 3", 4"	POA
		-RD7	2", 3", 4"	POA
		-RD8	3", 4", 6"	POA
		-RD10	6"	POA

OUTLETS (SPECIFY PIPE SIZE IN INCHES AND TYPE OF OUTLET)			
OUTLET TYPE	PIPE SIZE/OUTLET TYPE	E BODY HT. DIM.	ADD
<b>BW</b>	Butt-weld (Specify Schedule 10 or 40)	2BW, 3BW, 4BW, 6BW	2-7/8" POA
<b>IC</b>	Inside Caulk	2IC, 3IC, 4IC	4-3/8" POA
<b>IP</b>	Threaded	2IP, 3IP, 4IP	2-7/8" POA
SUFFIXES			ADD
<b>-K</b>	Seepage Holes Only		POA
<b>-KC</b>	Clamp Collar with Seepage Holes		POA
<b>-VP</b>	Vandal-Proof Secured Top		POA
<b>-Y</b>	Stainless Steel Sediment Bucket		POA
BEST SELLERS			LIST PRICE
Z1726-3IP			POA
Z1726-3IP-RD5			POA
Z1726-4IP-K			POA

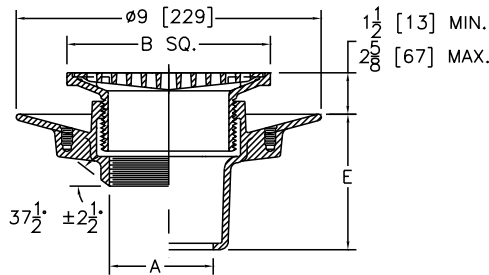
## Z1727 ADJUSTABLE MEDIUM DUTY FLOOR DRAIN WITH SQUARE TOP



### ENGINEERING SPECIFICATION

Zurn Z1727 medium-duty adjustable floor drain features all Type 304 (CF8) stainless steel, anchor flange (clamp collar with seepage holes when specified), and 6" square medium-duty vertically adjustable satin finish top.

Dimensions in inches [mm]			Approximate Weight lb [kg]	Grate Open Area sq in [cm <sup>2</sup> ]
A	B	E		
<b>Butt-Weld (BW) - Specify Schedule 10 or 40</b>				
2BW, 3BW	5 [127]	2-7/8 [73]	13 [6]	9 [58]
2BW, 3BW, 4BW	6 [152]		14 [6]	13 [84]
3BW, 4BW, 6BW	8 [203]		18 [8]	25 [161]
<b>Inside Caulk (IC)</b>				
3IC	5 [127]	4-3/8 [111]	13 [6]	9 [58]
3IC, 4IC	6 [152]		14 [6]	13 [84]
3IC, 4IC	8 [203]		18 [8]	25 [161]
<b>Threaded (IP)</b>				
2IP, 3IP	5 [127]	2-7/8 [73]	13 [6]	9 [58]
2IP, 3IP, 4IP	6 [152]		14 [6]	13 [84]
3IP, 4IP	8 [203]		18 [8]	25 [161]



PREFIXES	DESCRIPTION	STRAINER DESIG.	A PIPE SIZE	LIST PRICE
<b>Z1727*</b>	Type 304 (CF8) Stainless Steel Body and Top Assembly	-SQ5	2", 3"	POA
		-SQ6	2", 3", 4"	POA
		-SQ8	3", 4", 6"	POA
<b>ZM1727</b>	Type 316 (CF8M) Stainless Steel Body and Top Assembly	-SQ5	2", 3"	POA
		-SQ6	2", 3", 4"	POA
		-SQ8	3", 4", 6"	POA

### OUTLETS (SPECIFY PIPE SIZE IN INCHES AND TYPE OF OUTLET)

OUTLET TYPE	PIPE SIZE/OUTLET TYPE	E BODY HT. DIM.	ADD
<b>BW</b>	Butt-weld (Specify Schedule 10 or 40)	2BW, 3BW, 4BW, 6BW	2-7/8" POA
<b>IC</b>	Inside Caulk	3IC, 4IC	4-3/8" POA
<b>IP</b>	Threaded	2IP, 3IP, 4IP	2-7/8" POA

### SUFFIXES

SUFFIXES	ADD
<b>-K</b>	Seepage Holes Only POA
<b>-KC</b>	Clamp Collar with Seepage Holes POA
<b>-VP</b>	Vandal-Proof Secured Top POA
<b>-Y</b>	Stainless Steel Sediment Bucket POA

### BEST SELLERS

BEST SELLERS	LIST PRICE
Z1727-3BW-SCH40-K-SQ5	POA
Z1727-4IP-SQ8	POA

\*Regularly furnished unless otherwise specified.

Items designated as Best Sellers are most specified and are generally in stock for shipment.

⌚ This symbol denotes a product that is engineered to reduce installation and rework time.

For additional product information, please visit [www.zurn.com](http://www.zurn.com)

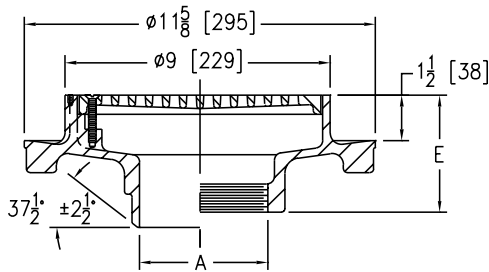
## Z1730 9" DIAMETER HEAVY-DUTY SHALLOW TYPE FLOOR DRAIN



### ENGINEERING SPECIFICATION

Zurn Z1730 9" diameter shallow type, heavy-duty floor drain features all Type 304 (CF8) stainless steel, integral anchor flange, and non-tilt grate with plain finish.

Dimensions in inches [mm]		Approximate Weight lb [kg]	Grate Open Area sq in [cm <sup>2</sup> ]
A	E		
<b>Butt-Weld (BW) - Specify Schedule 10 or 40</b>			
2BW, 3BW, 4BW	4-13/16 [122]	20 [9]	21 [135]
<b>Threaded (IP)</b>			
2IP, 3IP, 4IP	4-13/16 [122]	20 [9]	21 [135]
<b>No-Hub (NH)</b>			
2NH, 3NH, 4NH	4-13/16 [122]	20 [9]	21 [135]



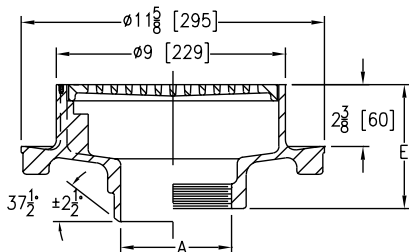
## Z1731 9" DIAMETER HEAVY-DUTY MEDIUM DEPTH FLOOR DRAIN



### ENGINEERING SPECIFICATION

Zurn Z1731 9" diameter heavy-duty floor drain features all Type 304 (CF8) stainless steel, anchor flange, and loose set grate with plain finish.

Dimensions in inches [mm]		Approximate Weight lb [kg]	Grate Open Area sq in [cm <sup>2</sup> ]
A	E		
<b>Butt-Weld (BW) - Specify Schedule 10 or 40</b>			
3BW, 4BW	5-11/16 [144]	22 [10]	21 [135]
<b>Inside Caulk (IC)</b>			
3IC, 4IC	5-11/16 [144]	22 [10]	21 [135]
<b>Threaded (IP)</b>			
3IP, 4IP	5-11/16 [144]	22 [10]	21 [135]
<b>No-Hub (NH)</b>			
3NH, 4NH	5-11/16 [144]	22 [10]	21 [135]



PREFIXES	DESCRIPTION	A PIPE SIZE	LIST PRICE
Z1730*	Type 304 (CF8) Stainless Steel Body	2", 3", 4"	POA
ZM1730	Type 316 (CF8M) Stainless Steel Body	2", 3", 4"	POA
<b>OUTLETS (SPECIFY PIPE SIZE IN INCHES AND TYPE OF OUTLET)</b>			
OUTLET TYPE	PIPE SIZE/OUTLET TYPE	E BODY HT. DIM.	ADD
BW	Butt-weld (Specify Schedule 10 or 40)	2BW, 3BW, 4BW	4-13/16" POA
IP	Threaded	2IP, 3IP, 4IP	4-13/16" POA
NH	No-Hub	2NH, 3NH, 4NH	4-13/16" POA
<b>SUFFIXES</b>			
-K	Seepage Holes Only		POA
-KC	Clamp Collar with Seepage Holes		POA
-TS	Top Secured with Slotted Screws		POA
-VP	Vandal-Proof Secured Top		POA
<b>BEST SELLER</b>			<b>LIST PRICE</b>
Z1730-4NH			POA

PREFIXES	DESCRIPTION	A PIPE SIZE	LIST PRICE
Z1731*	Type 304 (CF8) Stainless Steel Body	3", 4"	POA
ZM1731	Type 316 (CF8M) Stainless Steel Body	3", 4"	POA
<b>OUTLETS (SPECIFY PIPE SIZE IN INCHES AND TYPE OF OUTLET)</b>			
OUTLET TYPE	PIPE SIZE/OUTLET TYPE	E BODY HT. DIM.	ADD
BW	Butt-weld (Specify Schedule 10 or 40)	3BW, 4BW	5-11/16" POA
IC	Inside Caulk	3IC, 4IC	5-11/16" POA
IP	Threaded	3IP, 4IP	5-11/16" POA
NH	No-Hub	3NH, 4NH	5-11/16" POA
<b>SUFFIXES</b>			
-K	Seepage Holes Only		POA
-KC	Clamp Collar with Seepage Holes		POA
-TS	Top Secured with Slotted Screws		POA
-VP	Vandal-Proof Secured Top		POA
-Y	Sediment Bucket		POA
<b>BEST SELLERS</b>			<b>LIST PRICE</b>
Z1731-3IC			POA
Z1731-4IC			POA
Z1731-4NH-VP			POA

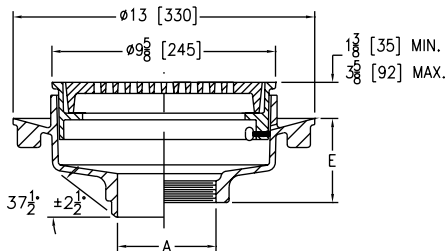
## Z1732 9-5/8" DIAMETER HEAVY-DUTY ADJUSTABLE FLOOR DRAIN



### ENGINEERING SPECIFICATION

Zurn Z1732 heavy-duty adjustable floor drain features all Type 304 (CF8) stainless steel, integral anchor flange, adjustable top frame, and deep floor grate with plain finish.

Dimensions in inches [mm]		Approximate Weight lb [kg]	Grate Open Area sq in [cm <sup>2</sup> ]
A	E		
<b>Threaded (IP)</b>			
2IP, 3IP, 4IP	6 [152]	40 [18]	14 [90]
6IP	6-3/8 [162]		
<b>No-Hub (NH)</b>			
2NH, 3NH, 4NH	6 [152]	40 [18]	14 [90]
6NH	6-3/8 [162]		



PREFIXES	DESCRIPTION	A PIPE SIZE	LIST PRICE
Z1732*	Type 304 (CF8) Stainless Steel Body	2", 3", 4", 6"	POA
ZM1732	Type 316 (CF8M) Stainless Steel Body	2", 3", 4", 6"	POA

OUTLETS (SPECIFY PIPE SIZE IN INCHES AND TYPE OF OUTLET)			
OUTLET TYPE		PIPE SIZE/OUTLET TYPE	E BODY HT. DIM. ADD
IP	Threaded	2IP, 3IP, 4IP	6" POA
		6IP	6-3/8" POA
NH	No-Hub	2NH, 3NH, 4NH	6" POA
		6NH	6-3/8" POA

SUFFIXES		ADD
-K	Seepage Holes Only	POA
-KC	Clamp Collar with Seepage Holes	POA
-SC	Solid Secured Cover	POA
-VP	Vandal-Proof Secured Top	POA
-Y	Sediment Bucket	POA
-30	Bronze Closure Plug	POA
-33	Type 304 (CF8) Stainless Steel Closure Plug	POA

BEST SELLERS	LIST PRICE
Z1732-2NH	POA
Z1732-3NH-33-KC	POA
Z1732-3NH-K	POA
Z1732-3NH-KC	POA
Z1732-3NH-KC-Y	POA
Z1732-4NH	POA

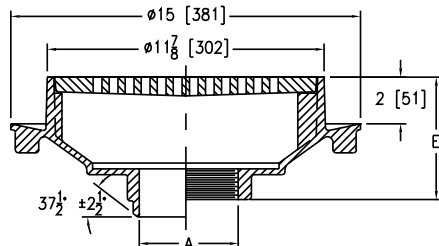
## Z1735 12" DIAMETER HEAVY-DUTY FLOOR DRAIN



### ENGINEERING SPECIFICATION

Zurn Z1735 12" diameter heavy-duty floor drain features all Type 304 (CF8) stainless steel body with integral anchor flange and non-tilt grate with plain finish.

Dimensions in inches [mm]		Approximate Weight lb [kg]	Grate Open Area sq in [cm <sup>2</sup> ]
A	E		
<b>Butt-Weld (BW) - Specify Schedule 10 or 40</b>			
3BW, 4BW	6 [152]	50 [23]	33 [213]
6BW		54 [24]	
<b>Threaded (IP)</b>			
3IP, 4IP	5-1/4 [133]	50 [23]	33 [213]
6IP		54 [24]	



PREFIXES	DESCRIPTION	A PIPE SIZE	LIST PRICE
Z1735*	Type 304 (CF8) Stainless Steel Body	3", 4"	POA
		6"	POA
ZM1735	Type 316 (CF8M) Stainless Steel Body	3", 4"	POA
		6"	POA

OUTLETS (SPECIFY PIPE SIZE IN INCHES AND TYPE OF OUTLET)			
OUTLET TYPE		PIPE SIZE/OUTLET TYPE	E BODY HT. DIM. ADD
BW	Butt-weld (Specify Schedule 10 or 40)	3BW, 4BW, 6BW	6" POA
IP	Threaded	3IP, 4IP, 6IP	5-1/4" POA

SUFFIXES		ADD
-K	Seepage Holes Only	POA
-KC	Clamp Collar with Seepage Holes	POA
-TS	Top Secured with Slotted Screws	POA
-VP	Vandal-Proof Secured Top	POA
-Y	Sediment Bucket	POA
-30	Bronze Closure Plug	POA
-33	Type 304 (CF8) Stainless Steel Closure Plug	POA

\*Regularly furnished unless otherwise specified.

Items designated as Best Sellers are most specified and are generally in stock for shipment.

⌚ This symbol denotes a product that is engineered to reduce installation and rework time.

For additional product information, please visit [www.zurn.com](http://www.zurn.com)

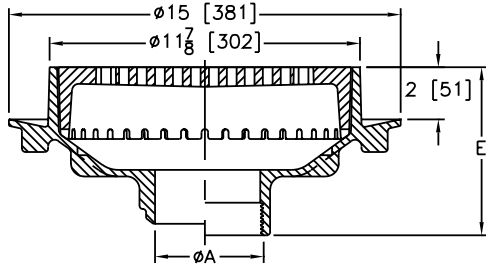
## Z1736 12" DIAMETER EXTRA HEAVY-DUTY FLOOR DRAIN



### ENGINEERING SPECIFICATION

Zurn Z1736 12" diameter extra heavy-duty floor drain features all Type 304 (CF8) stainless steel body with integral anchor flange and deep flange grate with plain finish.

Dimensions in inches [mm]		Approximate Weight lb [kg]	Grate Open Area sq in [cm <sup>2</sup> ]
A	E		
<b>Butt-Weld (BW) - Specify Schedule 10 or 40</b>			
3BW, 4BW, 6BW	6 [152]	61 [28]	34 [219]
<b>Threaded (IP)</b>			
3IP, 4IP, 6IP	6-7/16 [164]	61 [28]	34 [219]



PREFIXES	DESCRIPTION	A PIPE SIZE	LIST PRICE
Z1736*	Type 304 (CF8) Stainless Steel Body	3", 4", 6"	POA
ZM1736	Type 316 (CF8M) Stainless Steel Body	3", 4", 6"	POA
OUTLETS (SPECIFY PIPE SIZE IN INCHES AND TYPE OF OUTLET)			
OUTLET TYPE	PIPE SIZE/OUTLET TYPE	E BODY HT. DIM.	ADD
BW	Butt-weld (Specify Schedule 10 or 40)	3BW, 4BW, 6BW	6" POA
IP	Threaded	3IP, 4IP, 6IP	6-7/16" POA
SUFFIXES			
-K	Seepage Holes Only		POA
-KC	Clamp Collar with Seepage Holes		POA
-TS	Top Secured with Slotted Screws		POA
-VP	Vandal-Proof Secured Top		POA
-Y	Sediment Bucket		POA
-30	Bronze Closure Plug		POA
-33	Type 304 Stainless Steel Closure Plug		POA
BEST SELLER			LIST PRICE
Z1736-4IP-KC-Y			POA

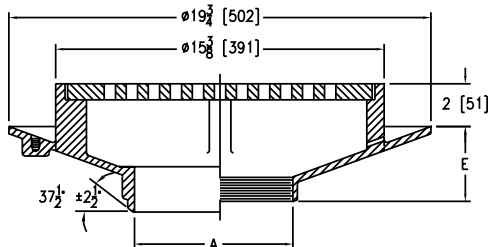
## Z1737 15" DIAMETER EXTRA HEAVY-DUTY FLOOR DRAIN



### ENGINEERING SPECIFICATION

Zurn Z1737 15" diameter extra heavy-duty floor drain features all Type 304 (CF8) stainless steel body, integral anchor flange, and non-tilt grate with plain finish.

Dimensions in inches [mm]		Approximate Weight lb [kg]	Grate Open Area sq in [cm <sup>2</sup> ]
A	E		
<b>Threaded (IP)</b>			
8IP	5-1/2 [140]	85 [39]	55 [355]



PREFIXES	DESCRIPTION	A PIPE SIZE	LIST PRICE
Z1737*	Type 304 (CF8) Stainless Steel Body	8"	POA
ZM1737	Type 316 (CF8M) Stainless Steel Body	8"	POA
OUTLETS (SPECIFY PIPE SIZE IN INCHES AND TYPE OF OUTLET)			
OUTLET TYPE	PIPE SIZE/OUTLET TYPE	E BODY HT. DIM.	ADD
IP	Threaded	8IP	5-1/2" POA
SUFFIXES			
-K	Seepage Holes Only		POA
-KC	Clamp Collar with Seepage Holes		POA
-TS	Top Secured with Slotted Screws		POA
-VP	Vandal-Proof Secured Top		POA

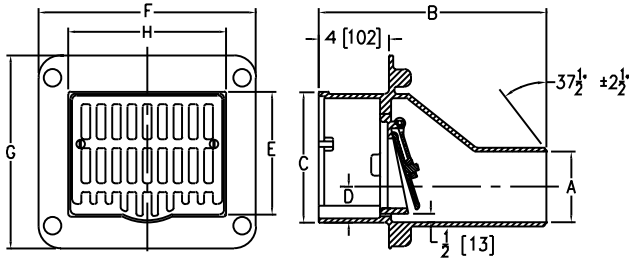


## Z1739 PIT DRAIN



### ENGINEERING SPECIFICATION

Zurn Z1739 pit drain features all Type 304 (CF8) stainless steel body with integral anchor flange, grate with plain finish, and bronze backwater valve.



PREFIXES	DESCRIPTION	A PIPE SIZE	LIST PRICE
<b>Z1739*</b>	Type 304 (CF8)	3"	POA
	Stainless Steel Body	4"	POA
<b>ZM1739</b>	Type 316 (CF8M)	3"	POA
	Stainless Steel Body	4"	POA
OUTLETS (SPECIFY PIPE SIZE IN INCHES AND TYPE OF OUTLET)			
OUTLET TYPE	PIPE SIZE/OUTLET TYPE		ADD
<b>BW</b>	Butt-weld (Specify Schedule 10 or 40)	3BW, 4BW	POA
SUFFIXES			
<b>-VP</b>	Vandal-Proof Secured Top		POA
BEST SELLER			LIST PRICE
<b>Z1739-3BW</b>			POA

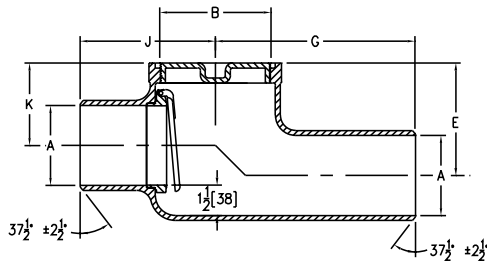
Dimensions in inches [mm]								Approximate Weight lb [kg]	Grate Open Area sq in [cm <sup>2</sup> ]
A	B	C	D	E	F	G	H		
<b>Butt-Weld (BW) - Specify Schedule 10 or 40</b>									
3BW	13 [330]	7-5/8 [194]	1-1/2 [38]	6-7/8 [175]	12-3/4 [324]	11 [279]	9-1/4 [235]	50 [23]	20 [129]
4BW			2 [51]						

## Z1740 BACKWATER VALVE



### ENGINEERING SPECIFICATION

Zurn Z1740 backwater valve features Type 304 (CF8) stainless steel body with bronze backwater valve and bronze threaded cover.



PREFIXES	DESCRIPTION	A PIPE SIZE	LIST PRICE
<b>Z1740*</b>	Type 304 (CF8) Stainless Steel Body	4"	POA
<b>ZM1740</b>	Type 316 (CF8M) Stainless Steel Body	4"	POA
OUTLETS (SPECIFY PIPE SIZE IN INCHES AND TYPE OF OUTLET)			
OUTLET TYPE	PIPE SIZE/OUTLET TYPE		ADD
<b>BW</b>	Butt-weld (Specify Schedule 10 or 40)	4BW	POA
SUFFIXES			
<b>-SP</b>	Stainless Steel Threaded Cover		POA
<b>-SV</b>	Stainless Steel Backwater Valve		POA

Dimensions in inches [mm]						Approximate Weight lb [kg]
A	B	E	G	J	K	
<b>Butt-Weld (BW) - Specify Schedule 10 or 40</b>						
4BW	5 [127]	5-5/8 [143]	8-1/2 [216]	6-3/4 [171]	4-1/8 [105]	40 [18]

\*Regularly furnished unless otherwise specified.

Items designated as Best Sellers are most specified and are generally in stock for shipment.

🕒 This symbol denotes a product that is engineered to reduce installation and rework time.

For additional product information, please visit [www.zurn.com](http://www.zurn.com)

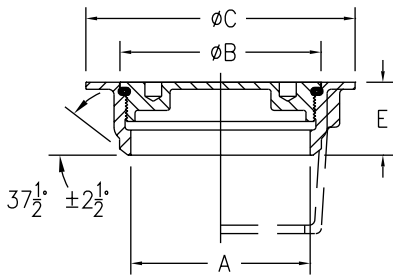
# Z1745 FLOOR CLEANOUT WITH O-RING SEAL PLUG



## ENGINEERING SPECIFICATION

Zurn Z1745 floor cleanout features all Type 304 (CF8) stainless steel body and plug with O-ring seal. Plug is scoriated with satin finish. Spanner wrench provided for each plug size.

Dimensions in inches [mm]				Approximate Weight lb [kg]
A	B	C	E	
<b>Butt-Weld (BW) - Specify Schedule 10 or 40</b>				
2BW	2-3/4 [70]	4 [102]	1-5/8 [41]	6 [3]
3BW	3-1/2 [89]	4-7/8 [124]		
4BW	4-1/2 [114]	6 [152]		
6BW	7-7/8 [200]	9-3/8 [238]	2-1/2 [64]	10 [5]
8BW	9-7/8 [251]	11 [279]		
<b>Inside Caulk (IC)</b>				
2IC	2-3/4 [70]	4 [102]	3-3/8 [86]	6 [3]
3IC	3-1/2 [89]	4-7/8 [124]		
4IC	4-1/2 [114]	6 [152]		
6IC	7-7/8 [200]	9-3/8 [238]		



PREFIXES	DESCRIPTION	A PIPE SIZE	LIST PRICE	
<b>Z1745*</b>	Type 304 (CF8) Stainless Steel Body	2"	POA	
		3"	POA	
		4"	POA	
		6"	POA	
		8"	POA	
<b>ZM1745</b>	Type 316 (CF8M) Stainless Steel Body	2"	POA	
		3"	POA	
		4"	POA	
		6"	POA	
		8"	POA	
<b>OUTLETS (SPECIFY PIPE SIZE IN INCHES AND TYPE OF OUTLET)</b>				
<b>OUTLET TYPE</b>	<b>PIPE SIZE/OUTLET TYPE</b>	<b>E BODY HT. DIM.</b>	<b>ADD</b>	
<b>BW</b>	Butt-weld (Specify Schedule 10 or 40)	2BW, 3BW, 4BW, 6BW	1-5/8"	POA
		8BW	2-1/2"	POA
<b>IC</b>	Inside Caulk	2IC, 3IC, 4IC, 6IC	3-3/8"	POA
<b>SUFFIXES</b>				
<b>-SW</b>	Bronze Spanner Wrench		POA	
<b>BEST SELLERS</b>			<b>LIST PRICE</b>	
Z1745-2IC			POA	
Z1745-3IC			POA	
Z1745-4IC			POA	

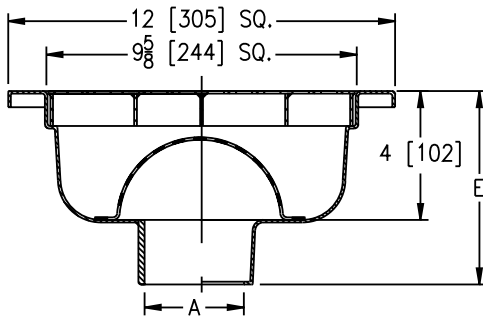
# Z1749 12" X 12" SANI-FLOR RECEPTOR WITH 4" SUMP DEPTH



## ENGINEERING SPECIFICATION

Zurn Z1749 12" x 12" x 4" light-duty Sani-Flor receptor features deep, 16 gage, all Type 304 (CF8) stainless steel, non-tilt, loose set, full grate with 1/2" square openings, and anti-splash stainless steel interior dome strainer.

Dimensions in inches [mm]		Approximate Weight lb [kg]	Grate Open Area sq in [cm <sup>2</sup> ]
A	E		
<b>No-Hub (NH)</b>			
2NH, 3NH, 4NH	6-1/16 [154]	15 [7]	23 [148]
<b>Neo-Loc (NL)</b>			
2NL, 3NL, 4NL	5-13/16 [148]	15 [7]	23 [148]



PREFIXES	DESCRIPTION	A PIPE SIZE	LIST PRICE
<b>Z1749*</b>	Type 304 (CF8) Stainless Steel Body	2"	POA
		3"	POA
		4"	POA
<b>ZM1749</b>	Type 316 (CF8M) Stainless Steel Body	2"	POA
		3"	POA
		4"	POA

OUTLETS (SPECIFY PIPE SIZE IN INCHES AND TYPE OF OUTLET)			
OUTLET TYPE	PIPE SIZE/OUTLET TYPE	E BODY HT. DIM.	ADD
<b>NH</b>	No-Hub	2NH, 3NH, 4NH	6-1/16"
<b>NL</b>	Neo-Loc	2NL, 3NL, 4NL	5-13/16"

SUFFIXES			ADD
<b>-DX</b>	Dex-O-Tex Flange		POA
<b>-HD</b>	Extra-Heavy-Duty Top Frame and Grate		POA
<b>-HP</b>	Heel-Proof Grate		POA
<b>-K</b>	Anchor Flange (May not be used with -P)		POA
<b>-KC</b>	Anchor Flange with Seepage Holes and Clamp Collar (May not be used with -P)		POA
<b>-P</b>	1/2" Trap Primer Connection (May not be used with -K or -KC)		POA
<b>-SG</b>	Solid Gasketed Cover		POA
<b>-TC</b>	Neo-Loc Test Cap Gasket (2" thru 4" NL Bottom Outlet Only)		POA
<b>-VP</b>	Vandal-Proof Secured Top		POA
<b>-Y</b>	Sediment Bucket		POA
<b>-YS</b>	Suspended Sediment Bucket		POA
<b>-2</b>	1/2 Grate		N/C
<b>-3</b>	3/4 Grate		N/C
<b>-4</b>	Full Grate with 3" Square Opening		POA
<b>-5</b>	Grate with 4" Dia. X 3-3/4" High Funnel		POA
<b>-8</b>	Grate with 8-3/8" x 3-5/8 x 3-3/4" High Oval Funnel		POA
<b>-15</b>	Solid Cover		POA
<b>-16</b>	1/2 Solid Cover		POA
<b>-19</b>	Full Hinged Grate		POA
<b>-20</b>	Full Hinged Cover		POA

DEDUCT		
<b>-1</b>	Less Grate	POA

BEST SELLERS	LIST PRICE
Z1749-3NH	POA
Z1749-3NL-2	POA
Z1749-4NH	POA
Z1749-4NH-HD	POA

\*Regularly furnished unless otherwise specified.

Items designated as Best Sellers are most specified and are generally in stock for shipment.

⌚ This symbol denotes a product that is engineered to reduce installation and rework time.

For additional product information, please visit [www.zurn.com](http://www.zurn.com)

INTRO ROOF DRAINS FLOOR DRAINS T, P, BW VALVES INTERCEPTORS CARRIERS HYDRANTS CLEANOUTS W/HA SS DRAINS FAB SS DRAINS SANI-FLOR TECH INFO

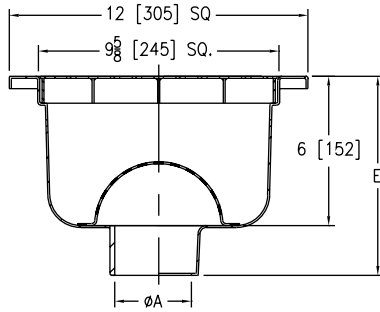
## Z1750 12" X 12" SANI-FLOR RECEPTOR WITH 6" SUMP DEPTH



### ENGINEERING SPECIFICATION

Zurn Z1750 12" x 12" x 6" deep light-duty Sani-Flor receptor features 16 gage, all Type 304 (CF8) stainless steel, non-tilt, loose set, full grate with 1/2" square openings, and anti-splash stainless steel interior dome strainer.

Dimensions in inches [mm]		Approximate Weight lb [kg]	Grate Open Area sq in [cm <sup>2</sup> ]
A	E		
<b>Inside Caulk (IC)</b>			
3IC, 4IC	8-9/16 [217]	15 [7]	23 [148]
<b>No-Hub (NH)</b>			
2NH, 3NH, 4NH	8-1/16 [205]	15 [7]	23 [148]
6NH		17 [8]	23 [148]
<b>Neo-Loc (NL)</b>			
3NL, 4NL	7-13/16 [198]	15 [7]	23 [148]



PREFIXES	DESCRIPTION	A PIPE SIZE	LIST PRICE
<b>Z1750*</b>	Type 304 (CF8) Stainless Steel Body	2"	POA
		3"	POA
		4"	POA
		6"	POA
<b>ZM1750</b>	Type 316 (CF8M) Stainless Steel Body	2"	POA
		3"	POA
		4"	POA
		6"	POA

OUTLETS (SPECIFY PIPE SIZE IN INCHES AND TYPE OF OUTLET)			
OUTLET TYPE	PIPE SIZE/OUTLET TYPE	E BODY HT. DIM.	ADD
<b>IC</b>	Inside Caulk	3IC, 4IC	8-9/16"
<b>NH</b>	No-Hub	2NH, 3NH, 4NH, 6NH	8-1/16"
<b>NL</b>	Neo-Loc	3NL, 4NL	7-13/16"
SUFFIXES			ADD
<b>-DX</b>	Dex-O-Tex Flange		POA
<b>-HD</b>	Extra-Heavy-Duty Grate		POA
<b>-HP</b>	Heel-Proof Grate		POA
<b>-K</b>	Anchor Flange		POA
<b>-KC</b>	Anchor Flange with Seepage Holes and Clamp Collar		POA
<b>-P</b>	1/2" Trap Primer Connection		POA
<b>-SG</b>	Solid Gasketed Cover		POA
<b>-TC</b>	Neo-Loc Test Cap Gasket (3", 4" NL Bottom Outlet Only)		POA
<b>-VP</b>	Vandal-Proof Secured Top		POA
<b>-Y</b>	Sediment Bucket		POA
<b>-YS</b>	Suspended Sediment Bucket		POA
<b>-2</b>	1/2 Grate		N/C
<b>-3</b>	3/4 Grate		N/C
<b>-4</b>	Full Grate with 3" Square Opening		POA
<b>-5</b>	Grate with 4" Dia. X 3-3/4" High Funnel		POA
<b>-8</b>	Grate with 8-3/8" x 3-5/8 x 3-3/4" High Oval Funnel		POA
<b>-15</b>	Solid Cover		POA
<b>-16</b>	1/2 Solid Cover		POA
<b>-19</b>	Full Hinged Grate		POA
<b>-20</b>	Full Hinged Solid Cover		POA

DEDUCT		
<b>-1</b>	Less Grate	POA

BEST SELLERS		LIST PRICE
Z1750-2NH		POA
Z1750-3NH		POA
Z1750-3NH-2-Y		POA
Z1750-3NL		POA
Z1750-3NL-3-KC		POA
Z1750-4NH		POA
Z1750-4NH-2		POA
Z1750-4NH-2-KC		POA

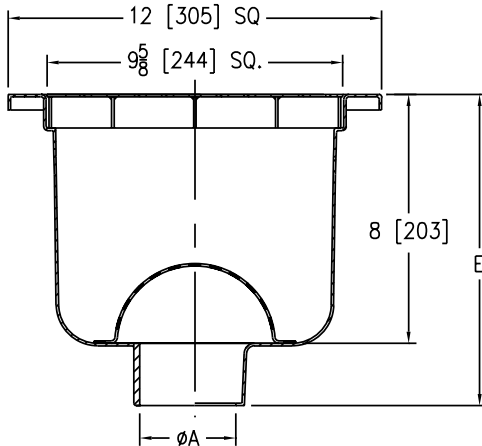
# Z1751 12" X 12" SANI-FLOR RECEPTOR WITH 8" SUMP DEPTH



## ENGINEERING SPECIFICATION

Zurn Z1751 12" x 12" x 8" deep light-duty Sani-Flor receptor features 16 gage, all Type 304 (CF8) stainless steel, non-tilt, loose set, full grate with 1/2" square openings, and anti-splash stainless steel interior dome strainer.

Dimensions in inches [mm]		Approximate Weight lb [kg]	Grate Open Area sq in [cm <sup>2</sup> ]
A	E		
<b>Inside Caulk (IC)</b>			
3IC, 4IC	10-9/16 [268]	19 [9]	23 [148]
<b>No-Hub (NH)</b>			
2NH, 3NH, 4NH	10-1/16 [256]	19 [9]	23 [148]
6NH		21 [10]	23 [148]
<b>Neo-Loc (NL)</b>			
2NL, 3NL, 4NL	9-13/16 [249]	19 [9]	23 [148]



PREFIXES	DESCRIPTION	A PIPE SIZE	LIST PRICE
<b>Z1751*</b>	Type 304 (CF8) Stainless Steel Body	2"	POA
		3"	POA
		4"	POA
		6"	POA
<b>ZM1751</b>	Type 316 (CF8M) Stainless Steel Body	2"	POA
		3"	POA
		4"	POA
		6"	POA

OUTLETS (SPECIFY PIPE SIZE IN INCHES AND TYPE OF OUTLET)			
OUTLET TYPE	PIPE SIZE/OUTLET TYPE	E BODY HT. DIM.	ADD
<b>IC</b>	Inside Caulk	3IC, 4IC	10-9/16"
<b>NH</b>	No-Hub	2NH, 3NH, 4NH, 6NH	10-1/16"
<b>NL</b>	Neo-Loc	2NL, 3NL, 4NL	9-13/16"

SUFFIXES	ADD
<b>-DX</b>	Dex-O-Tex Flange POA
<b>-HD</b>	Extra-Heavy-Duty Grate POA
<b>-HP</b>	Heel-Proof Grate POA
<b>-K</b>	Anchor Flange POA
<b>-KC</b>	Anchor Flange with Seepage Holes and Clamp Collar POA
<b>-P</b>	1/2" Trap Primer Connection POA
<b>-SG</b>	Solid Gasketed Cover POA
<b>-TC</b>	Neo-Loc Test Cap Gasket (2", 3", 4" NL Bottom Outlet Only) POA
<b>-VP</b>	Vandal-Proof Secured Top POA
<b>-Y</b>	Sediment Bucket POA
<b>-YS</b>	Suspended Sediment Bucket POA
<b>-2</b>	1/2 Grate N/C
<b>-3</b>	3/4 Grate N/C
<b>-4</b>	Full Grate with 3" Square Opening POA
<b>-5</b>	Grate with 4" Dia. X 3-3/4" High Funnel POA
<b>-8</b>	Grate with 8-3/8" x 3-5/8 x 3-3/4" High Oval Funnel POA
<b>-15</b>	Solid Cover POA
<b>-16</b>	1/2 Solid Cover POA
<b>-19</b>	Full Hinged Grate POA
<b>-20</b>	Full Hinged Solid Cover POA

DEDUCT		
<b>-1</b>	Less Grate	POA

BEST SELLERS		LIST PRICE
Z1751-2NH		POA
Z1751-2NH-2		POA
Z1751-3NH-2		POA
Z1751-4NH		POA
Z1751-4NH-2		POA

\*Regularly furnished unless otherwise specified.

Items designated as Best Sellers are most specified and are generally in stock for shipment.

⌚ This symbol denotes a product that is engineered to reduce installation and rework time.

For additional product information, please visit [www.zurn.com](http://www.zurn.com)

INTRO  
 ROOF DRAINS  
 FLOOR DRAINS  
 T, P, BW VALVES  
 INTERCEPTORS  
 CARRIERS  
 HYDRANTS  
 CLEANOUTS  
 W/HA  
 SS DRAINS  
 FAB SS DRAINS  
 SANI-FLOR  
 TECH INFO

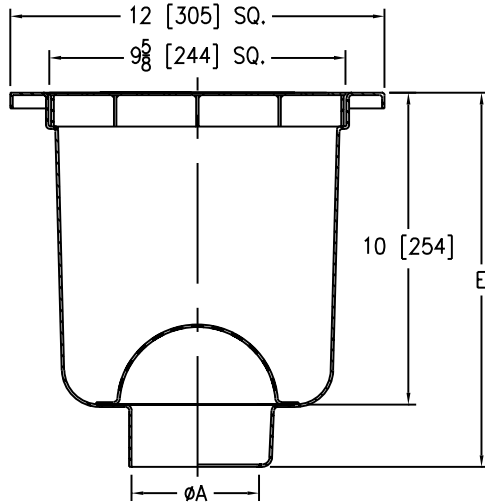
# Z1752 12" X 12" SANI-FLOR RECEPTOR WITH 10" SUMP DEPTH



## ENGINEERING SPECIFICATION

Zurn Z1752 12" x 12" x 10" deep light-duty Sani-Flor receptor features 16 gage, all Type 304 (CF8) stainless steel, non-tilt, loose set, full grate with 1/2" square openings, and anti-splash stainless steel interior dome strainer.

Dimensions in inches [mm]		Approximate Weight lb [kg]	Grate Open Area sq in [cm <sup>2</sup> ]
A	E		
<b>No-Hub (NH)</b>			
2NH, 3NH, 4NH	12-1/16 [306]	22 [10]	23 [148]
6NH		23 [10]	23 [148]
<b>Neo-Loc (NL)</b>			
2NL, 3NL, 4NL	11-13/16 [300]	22 [10]	23 [148]



PREFIXES	DESCRIPTION	A PIPE SIZE	LIST PRICE
<b>Z1752*</b>	Type 304 (CF8) Stainless Steel Body	2"	POA
		3"	POA
		4"	POA
		6"	POA
<b>ZM1752</b>	Type 316 (CF8M) Stainless Steel Body	2"	POA
		3"	POA
		4"	POA
		6"	POA

### OUTLETS (SPECIFY PIPE SIZE IN INCHES AND TYPE OF OUTLET)

OUTLET TYPE	PIPE SIZE/OUTLET TYPE	E BODY HT. DIM.	ADD	
NH	No-Hub	2NH, 3NH, 4NH, 6NH	12-1/16"	POA
NL	Neo-Loc	2NL, 3NL, 4NL	11-13/16"	POA

### SUFFIXES

SUFFIXES	ADD	
-DX	Dex-O-Tex Flange	POA
-HD	Extra-Heavy-Duty Grate	POA
-HP	Heel-Proof Grate	POA
-K	Anchor Flange	POA
-KC	Anchor Flange with Seepage Holes and Clamp Collar	POA
-P	1/2" Trap Primer Connection	POA
-SG	Solid Gasketed Cover	POA
Ⓢ -TC	Neo-Loc Test Cap Gasket (2", 3", 4" NL Bottom Outlet Only)	POA
-VP	Vandal-Proof Secured Top	POA
-Y	Sediment Bucket	POA
-YS	Suspended Sediment Bucket	POA
-2	1/2 Grate	N/C
-3	3/4 Grate	N/C
-4	Full Grate with 3" Square Opening	POA
-5	Grate with 4" Dia. X 3-3/4" High Funnel	POA
-8	Grate with 8-3/8" x 3-5/8 x 3-3/4" High Oval Funnel	POA
-15	Solid Cover	POA
-16	1/2 Solid Cover	POA
-19	Full Hinged Grate	POA
-20	Full Hinged Solid Cover	POA

### DEDUCT

-1	Less Grate	POA
----	------------	-----

### BEST SELLERS

BEST SELLERS	LIST PRICE
Z1752-2NH-2-KC-YS	POA
Z1752-3NH	POA
Z1752-3NH-2-KC	POA
Z1752-4NH	POA
Z1752-4NL	POA
Z1752-4NL-2-HD	POA

## Z1755 13-3/8" SQUARE SANI-FLORECEPTOR 6" SUMP WITH ADJUSTABLE CLAMP FRAME

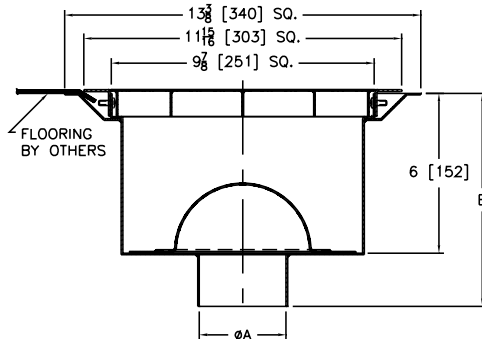


Patented

### ENGINEERING SPECIFICATION

Zurn Z1755 13-3/8" square x 6" deep light-duty Sani-Flo receptor features 16 gage, all Type 304 (CF8) fabricated stainless steel, integral flooring clamp frame, and non-tilt loose set, full grate with interior dome strainer for unlevel floor installations.

Dimensions in inches [mm]		Approximate Weight lb [kg]	Grate Open Area sq in [cm <sup>2</sup> ]
A	E		
No-Hub (NH)			
2NH, 3NH, 4NH	8 [203]	10 [5]	25 [161]



PREFIXES	DESCRIPTION	A PIPE SIZE	LIST PRICE
Z1755*	Type 304 (CF8) Stainless Steel Body	2", 3", 4"	POA
ZM1755	Type 316 (CF8M) Stainless Steel Body	2", 3", 4"	POA

#### OUTLETS (SPECIFY PIPE SIZE IN INCHES AND TYPE OF OUTLET)

OUTLET TYPE	PIPE SIZE/OUTLET TYPE	E BODY HT. DIM.	ADD
NH	No-Hub	2NH, 3NH, 4NH	8" POA

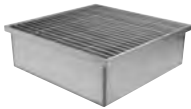
#### SUFFIXES

SUFFIXES	DESCRIPTION	ADD
-P	1/2" Trap Primer Connection	POA
-2	1/2" Grate	POA
-3	3/4" Grate	POA

#### BEST SELLERS

LIST PRICE
Z1755-3NH POA
Z1755-3NH-2 POA
Z1755-4NH-2 POA

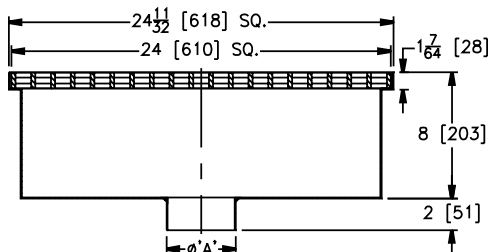
## Z1761 24-5/16" SQUARE KETTLE DRAIN WITH 8" SUMP DEPTH



### ENGINEERING SPECIFICATION

Zurn ZS1761 24-5/16" x 24-5/16" x 8" deep light-duty square kettle drain features 14 gage, all Type 304 (CF8) stainless steel, and loose set full grate.

Dimensions in inches [mm]		Approximate Weight lb [kg]	Grate Open Area sq in [cm <sup>2</sup> ]
A Pipe Size	E		
No-Hub (NH)			
4NH, 6NH, 8NH	8 [203]	72 [33]	425 [2742]



PREFIXES	DESCRIPTION	A PIPE SIZE	LIST PRICE
Z1761	A.R.E. Coated Fabricated Steel Body and Type 304 (CF8) Stainless Steel Grate	4", 6", 8"	POA

ZS1761*	Type 304 (CF8) Stainless Steel Body and Grate	4", 6", 8"	POA
---------	---	------------	-----

ZM1761	Type 316 (CF8M) Stainless Steel Body and Grate	4", 6", 8"	POA
--------	--	------------	-----

#### OUTLETS (SPECIFY PIPE SIZE IN INCHES AND TYPE OF OUTLET)

OUTLET TYPE	PIPE SIZE/OUTLET TYPE	ADD
NH	No-Hub	4NH, 6NH, 8NH POA

#### SUFFIXES

-PB	Perforated Sediment Bucket	POA
-----	----------------------------	-----

SEE LEGACY ADDENDUM ON PAGE 369 FOR MORE INFORMATION

\*Regularly furnished unless otherwise specified.

Items designated as Best Sellers are most specified and are generally in stock for shipment.

⌚ This symbol denotes a product that is engineered to reduce installation and rework time.

For additional product information, please visit [www.zurn.com](http://www.zurn.com)

## Z1762 25" X 15-1/2" KETTLE DRAIN

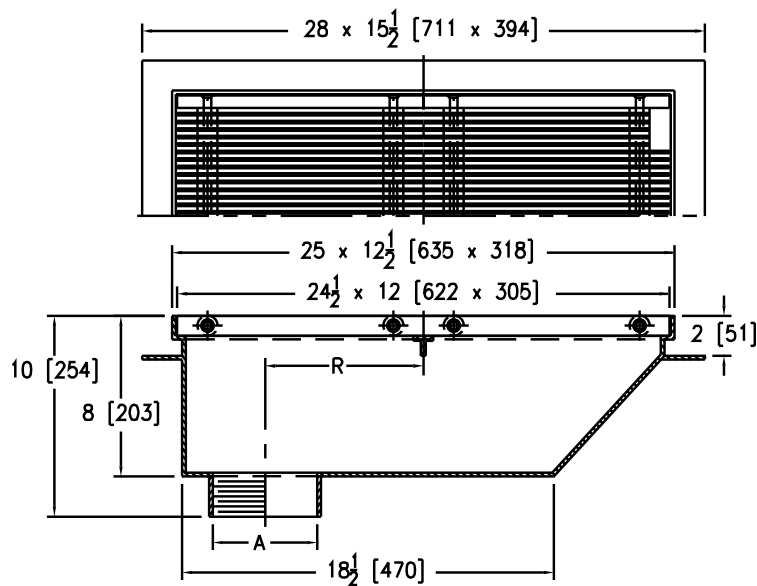


### ENGINEERING SPECIFICATION

Zurn ZS1762 25" x 15-1/2" kettle drain features Type 304 (CF8) stainless steel fabricated body and stainless steel two-piece grate with 1/8" bars on 3/8" center. One grate section comes with lift hole.

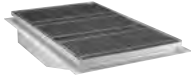
Dimensions in inches [mm]		Approximate Weight lb [kg]	Grate Open Area sq in [cm <sup>2</sup> ]
A	R		
No-Hub (NH)			
3NH, 4NH	7-7/8 [200]	71 [32]	149 [961]
6NH	6-7/8 [175]		

PREFIXES	DESCRIPTION	A PIPE SIZE	LIST PRICE
Z1762	Acid Resistant Epoxy Coated Steel Body with Stainless Steel Top	3", 4"	POA
		6"	POA
ZS1762*	All Type 304 Fabricated Stainless Steel Body with Stainless Steel	3", 4"	POA
		6"	POA
OUTLETS (SPECIFY PIPE SIZE IN INCHES AND TYPE OF OUTLET)			
OUTLET TYPE	PIPE SIZE/OUTLET TYPE		ADD
NH	3NH, 4NH, 6NH		POA
SUFFIXES			
-SB	Solids Retaining Baffle		N/C





# Z1763 37-9/16" X 22-7/8" KETTLE DRAIN

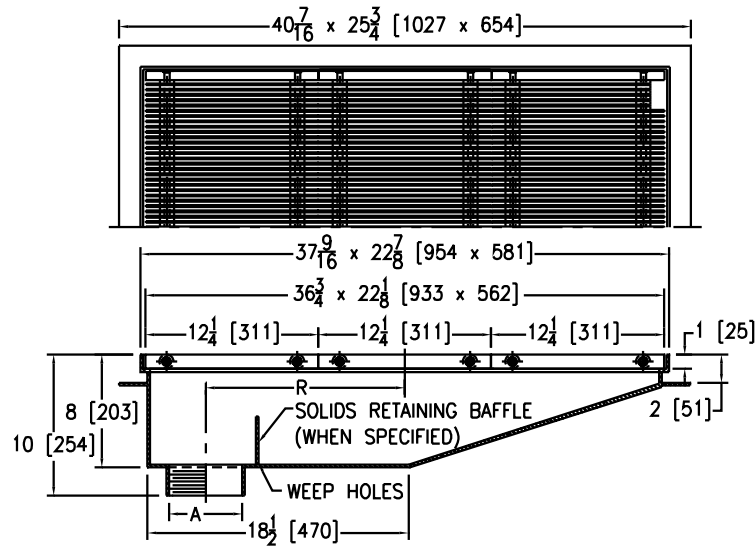


## ENGINEERING SPECIFICATION

Zurn ZS1763 37-9/16" x 22-7/8" kettle drain features Type 304 (CF8) stainless steel fabricated body and stainless steel three-piece grate with 1/8" bars on 3/8" center. One grate section comes with lift hole.

Dimensions in inches [mm]		Approximate Weight lb [kg]	Grate Open Area sq in [cm <sup>2</sup> ]
A	R		
<b>No-Hub (NH)</b>			
3NH, 4NH	14 [356]	125 [57]	420 [2709]
6NH	13 [330]		
8NH	12 [305]		
10NH	11 [279]		
12NH	10 [254]		

PREFIXES	DESCRIPTION	A PIPE SIZE	LIST PRICE
<b>Z1763</b>	Acid Resistant Epoxy Coated Steel Body with Stainless Steel Top	3", 4"	POA
		6"	POA
		8"	POA
		10"	POA
		12"	POA
<b>ZS1763*</b>	All Type 304 Fabricated Stainless Steel Body with Stainless Steel	3", 4"	POA
		6"	POA
		8"	POA
		10"	POA
		12"	POA
OUTLETS (SPECIFY PIPE SIZE IN INCHES AND TYPE OF OUTLET)			
OUTLET TYPE		PIPE SIZE/OUTLET TYPE	ADD
<b>NH</b>	No-Hub	3NH, 4NH, 6NH, 8NH, 10NH, 12NH	POA
SUFFIXES			ADD
<b>-SB</b>	Solids Retaining Baffle		N/C
BEST SELLER			LIST PRICE
<b>ZS1763-4NH</b>			<b>POA</b>



\*Regularly furnished unless otherwise specified.

Items designated as Best Sellers are most specified and are generally in stock for shipment.

⌚ This symbol denotes a product that is engineered to reduce installation and rework time.

For additional product information, please visit [www.zurn.com](http://www.zurn.com)

# NOTES

INTRO

ROOF DRAINS

FLOOR DRAINS

T, P, BW VALVES

INTERCEPTORS

CARRIERS

HYDRANTS

CLEANOUTS

WHA

**SS DRAINS**

FAB SS DRAINS

SANI-FLOR

TECH INFO

# FABRICATED STAINLESS STEEL DRAINS

<b>ZS880</b> STAINLESS STEEL LINEAR SHOWER DRAIN	<b>338</b>
<b>Z1800-6B</b> 6" DIAMETER INDUSTRIAL FLOOR DRAIN 4-19/32" SUMP DEPTH	<b>339</b>
<b>Z1800-8B</b> 8" DIAMETER INDUSTRIAL FLOOR DRAIN 6" SUMP DEPTH	<b>340</b>
<b>Z1800-8S</b> 8" X 8" INDUSTRIAL FLOOR DRAIN 6" SUMP DEPTH	<b>340</b>
<b>Z1800-12B</b> 12" DIAMETER INDUSTRIAL FLOOR DRAIN 6" SUMP DEPTH	<b>341</b>
<b>Z1800-12S</b> 12" X 12" INDUSTRIAL FLOOR DRAIN 6" SUMP DEPTH	<b>341</b>
<b>Z1810-6B</b> 6" DIAMETER ADJUSTABLE INDUSTRIAL FLOOR DRAIN	<b>342</b>
<b>Z1810-8B</b> 8" DIAMETER ADJUSTABLE INDUSTRIAL FLOOR DRAIN	<b>342</b>
<b>Z1810-8S</b> 8" X 8" ADJUSTABLE INDUSTRIAL FLOOR DRAIN	<b>343</b>
<b>Z1810-12B</b> 12" DIAMETER ADJUSTABLE INDUSTRIAL FLOOR DRAIN	<b>343</b>
<b>Z1810-12S</b> 12" X 12" ADJUSTABLE INDUSTRIAL FLOOR DRAIN	<b>344</b>
<b>Z1820-8B</b> 8" DIAMETER INDUSTRIAL FLOOR DRAIN WITH SIDE OUTLET	<b>344</b>
<b>Z1820-8S</b> 8" X 8" INDUSTRIAL FLOOR DRAIN WITH SIDE OUTLET	<b>345</b>
<b>Z1820-12B</b> 12" DIAMETER INDUSTRIAL FLOOR DRAIN WITH SIDE OUTLET	<b>345</b>
<b>Z1820-12S</b> 12" X 12" INDUSTRIAL FLOOR DRAIN WITH SIDE OUTLET	<b>346</b>
<b>Z1830-8B</b> 8" DIAMETER INDUSTRIAL FLOOR DRAIN 8" SUMP DEPTH	<b>346</b>
<b>Z1830-8S</b> 8" X 8" DIAMETER INDUSTRIAL FLOOR DRAIN 8" SUMP DEPTH	<b>347</b>
<b>Z1830-12B</b> 12" DIAMETER INDUSTRIAL FLOOR DRAIN 8" SUMP DEPTH	<b>347</b>
<b>Z1830-12S</b> 12" X 12" INDUSTRIAL FLOOR DRAIN 8" SUMP DEPTH	<b>348</b>
<b>Z1840-6B</b> 6" DIAMETER INDUSTRIAL FLOOR CLEANOUT	<b>348</b>
<b>Z1840-6S</b> 6" X 6" INDUSTRIAL FLOOR CLEANOUT	<b>349</b>
<b>Z1840-8B</b> 8" DIAMETER INDUSTRIAL FLOOR CLEANOUT	<b>349</b>
<b>Z1840-8S</b> 8" X 8" INDUSTRIAL FLOOR CLEANOUT	<b>350</b>

# ZS880 STAINLESS STEEL LINEAR SHOWER DRAIN



## ENGINEERING SPECIFICATION

ZS880 all Type 304 (CF8) fabricated stainless steel linear shower drain comes complete with vertically adjustable anchoring support legs, anti-ponding V-shaped channel with 2" no-hub outlet, adjustable secured leveling frame with integral tiling edge, and secured, light-duty, slotted heel-proof grate.

Product Designation	Dimensions in inches [mm]		Grate Open Area sq in [cm <sup>2</sup> ]	Approximate Weight lb [kg]
	A	B		
-12	12 [305]	14 [356]	6 [39]	2.9 [1.3]
-28	28 [711]	30 [762]	15 [97]	5.4 [2.5]
-32	32 [813]	34 [864]	18 [116]	5.9 [2.7]
-36	36 [914]	38 [965]	20 [129]	6.4 [2.9]
-40	40 [1016]	42 [1067]	22 [142]	7.2 [3.3]
-48	48 [1219]	50 [1270]	27 [174]	8.4 [3.8]
-60	60 [1524]	62 [1575]	34 [219]	10.3 [4.7]
-72	72 [1829]	74 [1880]	41 [265]	12.4 [5.6]



-LS Linear Slotted Grate



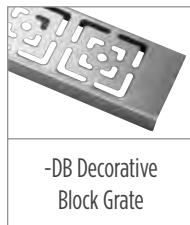
-WG Wave Grate



-TG Tile Inlay Grate (Tile by other)



-BW Basket Weave Grate

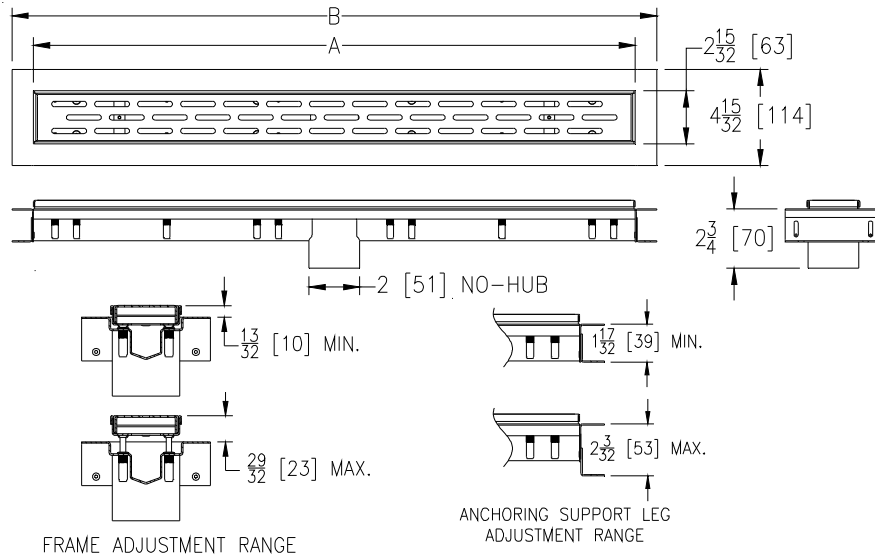


-DB Decorative Block Grate



-SG Serenity Grate

PREFIXES	DESCRIPTION	PRODUCT DESIG.	TRENCH LENGTH	LIST PRICE
ZS880*	Type 304 (CF8) Stainless Steel	-12	12"	POA
		-28	28"	POA
		-32	32"	POA
		-36	36"	POA
		-40	40"	POA
		-48	48"	POA
		-60	60"	POA
		-72	72"	POA
ZR880	Type 304 (CF8) Stainless Steel with Oil-Rubbed Bronze Finish	-12	12"	POA
		-28	28"	POA
		-32	32"	POA
		-36	36"	POA
		-40	40"	POA
		-48	48"	POA
		-60	60"	POA
		-72	72"	POA
OPTIONS				
STANDARD GRATE OPTIONS				ADD
-LS*	Linear Slotted			N/C
DECORATIVE GRATE OPTIONS				PRODUCT DESIG.
-BW	Basket Weave	-12, -28, -32, -36, -40, -48, -60, -72		POA
-DB	Decorative Block Grate	-12, -28, -32, -36, -40, -48, -60, -72		POA
-SG	Serenity Grate	-12, -28, -32, -36, -40, -48, -60, -72		POA
-TG	Tile Inlay Grate	-12, -28, -32, -36, -40, -48, -60, -72		POA
-WG	Slotted Wave Grate	-12, -28, -32, -36, -40, -48, -60, -72		POA
OUTLET ADAPTERS				ADD
-2	Two-Outlet Drain Body			POA
-2IP	2" Female Threaded Outlet (Add Per Outlet Connection)			POA
-3	Three-Outlet Drain Body			POA
-EO	End Outlet			POA
-FS	Outlet Filter Screen			POA
-LB	Lower Drain Body			POA
-SO	2" No-Hub Side Outlet (Add Per Outlet Connection)			POA



For additional product information, please visit [www.zurn.com](http://www.zurn.com)

\*Regularly furnished unless otherwise specified.

Items designated as Best Sellers are most specified and are generally in stock for shipment.

Ⓢ This symbol denotes a product that is engineered to reduce installation and rework time.

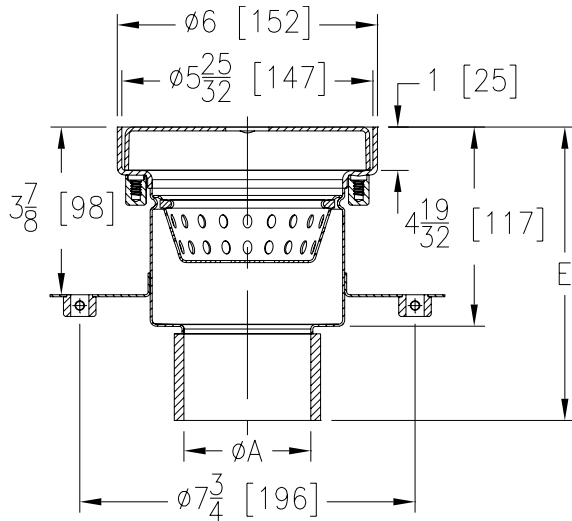
# Z1800-6B 6" DIAMETER INDUSTRIAL FLOOR DRAIN 4-19/32" SUMP DEPTH



## ENGINEERING SPECIFICATION

Zurn Z1800-6B 6" diameter x 4-19/32" deep, 18 gauge, all Type 304 (CF8) stainless steel, round, industrial floor drain features loose set, anti-tilt, medium-duty, perforated grate, reinforced top frame, perforated, removable sediment bucket with lift handle, pre-sloped bottom sump, and pre-pour stabilizing anchor tabs.

Dimensions in inches [mm]		Approximate Weight lb [kg]	Grate Open Area sq in [cm <sup>2</sup> ]
A Pipe Size inches [mm]	E Body Height Dimensions		
Butt-Weld (SCH 10) / No-Hub			
2 [51]	6-13/16 [173]	5 [2]	5.8 [37]
3 [76]	6-27/32 [174]		
4 [102]	6-25/32 [172]		



PREFIXES	DESCRIPTION	A PIPE SIZE	LIST PRICE
Z1800-6B*	Type 304 (CF8) Stainless Steel*	2", 3", 4"	POA
ZM1800-6B	Type 316 (CF8M) Stainless Steel	2", 3", 4"	POA

### OUTLETS (SPECIFY PIPE SIZE IN INCHES AND TYPE OF OUTLET)

OUTLET TYPE	PIPE SIZE/ OUTLET TYPE	'E' BODY HT. DIM.	ADD
BW	Butt-Weld (SCH-10)	2BW 6-13/16"	N/C
		3BW 6-27/32"	N/C
		4BW 6-25/32"	N/C
NH	No-Hub	2NH 6-13/16"	N/C
		3NH 6-27/32"	N/C
		4NH 6-25/32"	N/C

### SUFFIXES DESCRIPTION ADD

-KC	Anchor Flange with Seepage Holes and Clamp Collar	POA
-P	1/2" Trap Primer Connection	POA
Ⓛ -SA	Stabilizer Assembly (See Z1035)	138.00
Ⓛ -SQ	Stabilizer Q-Deck (See Z1035-Q)	184.00
-TS	Top Secured Grate	POA
-2PT	2" Stainless Steel P-Trap	POA
-3PT	3" Stainless Steel P-Trap	POA
-4PT	4" Stainless Steel P-Trap	POA

\*Regularly furnished unless otherwise specified.

Items designated as Best Sellers are most specified and are generally in stock for shipment.

Ⓛ This symbol denotes a product that is engineered to reduce installation and rework time.

For additional product information, please visit [www.zurn.com](http://www.zurn.com)

INTRO  
 ROOF DRAINS  
 FLOOR DRAINS  
 T, P, BW VALVES  
 INTERCEPTORS  
 CARRIERS  
 HYDRANTS  
 CLEANOUTS  
 WHA  
 SS DRAINS  
 FAB SS DRAINS  
 SANI-FLOOR  
 TECH INFO

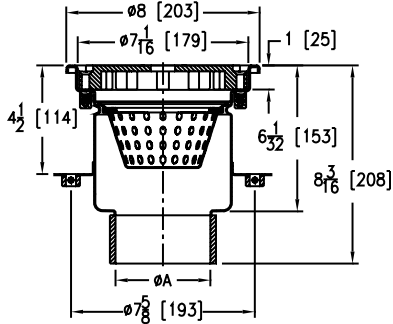
## Z1800-8B 8" DIAMETER INDUSTRIAL FLOOR DRAIN 6" SUMP DEPTH



### ENGINEERING SPECIFICATION

Zurn Z1800-8B 8" diameter x 6" deep, 18 gauge, all Type 304 (CF8) stainless steel, round, industrial floor drain features loose set, anti-tilt, heavy-duty, perimeter drainage cover, reinforced top frame, perforated, removable sediment bucket with lift handle, pre-sloped bottom sump, and pre-pour stabilizing anchor tabs.

A Pipe Size inches [mm]	Approximate Weight lb [kg]	Grate Open Area sq in [cm <sup>2</sup> ]
Butt-Weld (SCH 10) / No-Hub		
2 [51], 3 [76], 4 [102]	7 [3]	6.1 [39]



PREFIXES	DESCRIPTION	A PIPE SIZE	LIST PRICE
Z1800-8B*	Type 304 (CF8) Stainless Steel*	2", 3", 4"	POA
ZM1800-8B	Type 316 (CF8M) Stainless Steel	2", 3", 4"	POA
OUTLETS (SPECIFY PIPE SIZE IN INCHES AND TYPE OF OUTLET)			
OUTLET TYPE	PIPE SIZE/ OUTLET TYPE		ADD
BW	Butt-Weld (SCH-10) 2BW, 3BW, 4BW		N/C
NH	No-Hub 2NH, 3NH, 4NH		N/C
GRATE OPTIONS	DESCRIPTION	ADD	
-GCH	Heavy-Duty Gas Tight Solid Cover	POA	
-PCX	Extra-Heavy-Duty Perimeter Drainage Cover (6.1 Sq. In. Open Area)	POA	
<b>DEDUCT</b>			
Ⓢ -PGM	Medium-Duty Perforated Grate (9.9 Sq. In. Open Area)	POA	
Ⓢ -SGH	Heavy-Duty Slotted Grate (11.2 Sq. In. Open Area)	POA	
-SGM	Medium-Duty Slotted Grate (11.2 Sq. In. Open Area)	POA	
SUFFIXES	DESCRIPTION	ADD	
-B	Bell Trap/Solid Sediment Bucket	POA	
-KC	Anchor Flange with Seepage Holes and Clamp Collar	POA	
-P	1/2" Trap Primer Connection	POA	
-SA	Stabilizer Assembly (See Z1035)	138.00	
-SQ	Stabilizer Q-Deck (See Z1035-Q)	184.00	
-TS	Top Secured Grate	POA	
-VH	Vacuum Handle (-GCH Cover Only)	POA	
-2PT	2" Stainless Steel P-Trap	POA	
-3PT	3" Stainless Steel P-Trap	POA	
-4PT	4" Stainless Steel P-Trap	POA	
BEST SELLER		LIST PRICE	
Z1800-8B-4NH		POA	

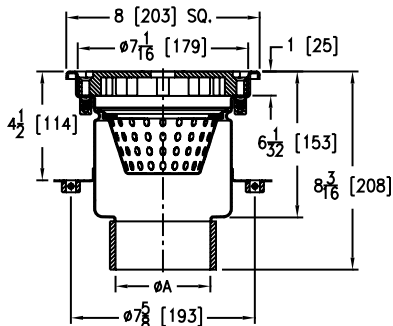
## Z1800-8S 8" X 8" INDUSTRIAL FLOOR DRAIN 6" SUMP DEPTH



### ENGINEERING SPECIFICATION

Zurn Z1800-8S 8" x 8" x 6" deep, 18 gauge, all Type 304 (CF8) stainless steel, square, industrial floor drain features loose set, anti-tilt, heavy-duty, perimeter drainage cover, reinforced top frame, perforated, removable sediment bucket with lift handle, pre-sloped bottom sump, and pre-pour stabilizing anchor tabs.

A Pipe Size inches [mm]	Approximate Weight lb [kg]	Grate Open Area sq in [cm <sup>2</sup> ]
Butt-Weld (SCH 10) / No-Hub		
2 [51], 3 [76], 4 [102]	10 [5]	6.1 [39]



PREFIXES	DESCRIPTION	A PIPE SIZE	LIST PRICE
Z1800-8S*	Type 304 (CF8) Stainless Steel*	2", 3", 4"	POA
ZM1800-8S	Type 316 (CF8M) Stainless Steel	2", 3", 4"	POA
OUTLETS (SPECIFY PIPE SIZE IN INCHES AND TYPE OF OUTLET)			
OUTLET TYPE	PIPE SIZE/ OUTLET TYPE		ADD
BW	Butt-Weld (SCH-10) 2BW, 3BW, 4BW		N/C
NH	No-Hub 2NH, 3NH, 4NH		N/C
GRATE OPTIONS	DESCRIPTION	ADD	
-GCH	Heavy-Duty Gas Tight Solid Cover	POA	
-PCX	Extra-Heavy-Duty Perimeter Drainage Cover (6.1 Sq. In. Open Area)	POA	
<b>DEDUCT</b>			
-PGM	Medium-Duty Perforated Grate (9.9 Sq. In. Open Area)	POA	
-SGH	Heavy-Duty Slotted Grate (11.2 Sq. In. Open Area)	POA	
-SGM	Medium-Duty Slotted Grate (11.2 Sq. In. Open Area)	POA	
SUFFIXES	DESCRIPTION	ADD	
-B	Bell Trap/Solid Sediment Bucket	POA	
-KC	Anchor Flange with Seepage Holes and Clamp Collar	POA	
-P	1/2" Trap Primer Connection	POA	
Ⓢ -SA	Stabilizer Assembly (See Z1035)	138.00	
Ⓢ -SQ	Stabilizer Q-Deck (See Z1035-Q)	184.00	
-TS	Top Secured Grate	POA	
-VH	Vacuum Handle (-GCH Cover Only)	POA	
-2PT	2" Stainless Steel P-Trap	POA	
-3PT	3" Stainless Steel P-Trap	POA	
-4PT	4" Stainless Steel P-Trap	POA	

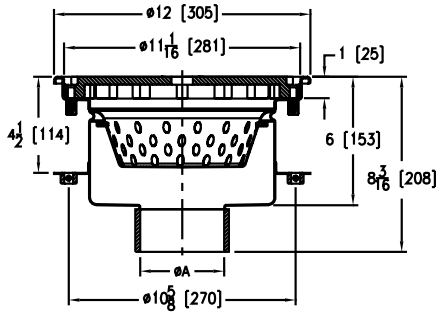
## Z1800-12B 12" DIAMETER INDUSTRIAL FLOOR DRAIN 6" SUMP DEPTH



### ENGINEERING SPECIFICATION

Zurn Z1800-12B 12" diameter x 6" deep, 18 gauge, all Type 304 (CF8) stainless steel, round, industrial floor drain features loose set, anti-tilt, extra heavy-duty, perimeter drainage cover, reinforced top frame, perforated, removable sediment bucket with lift handle, presloped bottom sump, and pre-pour stabilizing anchor tabs.

A Pipe Size inches [mm]	Approximate Weight lb [kg]	Grate Open Area sq in [cm <sup>2</sup> ]
Butt-Weld (SCH 10) / No-Hub		
3 [76], 4 [102], 6 [152]	17 [8]	9.7 [63]



PREFIXES	DESCRIPTION	A PIPE SIZE	LIST PRICE
Z1800-12B*	Type 304 (CF8) Stainless Steel*	3", 4", 6"	POA
ZM1800-12B	Type 316 (CF8M) Stainless Steel	3", 4", 6"	POA

### OUTLETS (SPECIFY PIPE SIZE IN INCHES AND TYPE OF OUTLET)

OUTLET TYPE	PIPE SIZE/ OUTLET TYPE	ADD
BW	Butt-Weld (SCH-10) 3BW, 4BW, 6BW	N/C
NH	No-Hub 3NH, 4NH, 6NH	N/C

### GRATE OPTIONS

DESCRIPTION	ADD
-GCX Extra-Heavy-Duty Gas Tight Solid Cover	POA
-PCS Special-Duty Perimeter Drainage Cover (9.7 Sq. In. Open Area)	POA
-PGM Medium-Duty Perforated Grate (27.3 Sq. In. Open Area)	POA

### DEDUCT

-SGH Heavy-Duty Slotted Grate (28.9 Sq. In. Open Area)	POA
-SGM Medium-Duty Slotted Grate (28.9 Sq. In. Open Area)	POA

### SUFFIXES

DESCRIPTION	ADD
-B Bell Trap/Solid Sediment Bucket	POA
-KC Anchor Flange with Seepage Holes and Clamp Collar	POA
-P 1/2" Trap Primer Connection	POA
Ⓢ -SA Stabilizer Assembly (3" and 4" Outlets Only) (See Z1036)	148.00
-TS Top Secured Grate	POA
-VH Vacuum Handle (-GCX Cover Only)	POA
-3PT 3" Stainless Steel P-Trap	POA
-4PT 4" Stainless Steel P-Trap	POA
-6PT 6" Stainless Steel P-Trap	POA

### BEST SELLERS

LIST PRICE
Z1800-12B-4NH POA
Z1800-12B-6NH POA

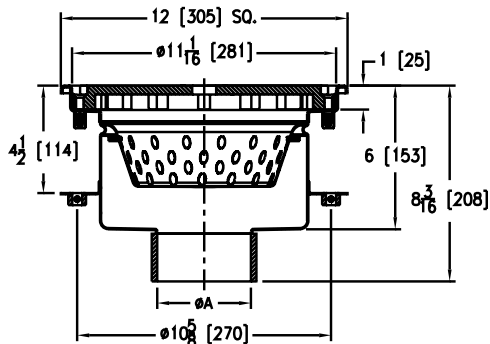
## Z1800-12S 12" X 12" INDUSTRIAL FLOOR DRAIN 6" SUMP DEPTH



### ENGINEERING SPECIFICATION

Zurn Z1800-12S 12" x 12" x 6" deep, 18 gauge, all Type 304 (CF8) stainless steel, square, industrial floor drain features loose set, anti-tilt, extra heavy-duty, perimeter drainage cover, reinforced top frame, perforated, removable sediment bucket with lift handle, pre-sloped bottom sump, and pre-pour stabilizing anchor tabs.

A Pipe Size inches [mm]	Approximate Weight lb [kg]	Grate Open Area sq in [cm <sup>2</sup> ]
Butt-Weld (SCH 10) / No-Hub		
3 [76], 4 [102], 6 [152]	20 [9]	9.7 [63]



PREFIXES	DESCRIPTION	A PIPE SIZE	LIST PRICE
Z1800-12S*	Type 304 (CF8) Stainless Steel*	3", 4", 6"	POA
ZM1800-12S	Type 316 (CF8M) Stainless Steel	3", 4", 6"	POA

### OUTLETS (SPECIFY PIPE SIZE IN INCHES AND TYPE OF OUTLET)

OUTLET TYPE	PIPE SIZE/ OUTLET TYPE	ADD
BW	Butt-Weld (SCH-10) 3BW, 4BW, 6BW	N/C
NH	No-Hub 3NH, 4NH, 6NH	N/C

### GRATE OPTIONS

DESCRIPTION	ADD
-GCX Extra-Heavy-Duty Gas Tight Solid Cover	POA
-PCS Special-Duty Perimeter Drainage Cover (9.7 Sq. In. Open Area)	POA
-PGM Medium-Duty Perforated Grate (27.3 Sq. In. Open Area)	POA

### DEDUCT

-SGH Heavy-Duty Slotted Grate (28.9 Sq. In. Open Area)	POA
-SGM Medium-Duty Slotted Grate (28.9 Sq. In. Open Area)	POA

### SUFFIXES

DESCRIPTION	ADD
-B Bell Trap/Solid Sediment Bucket	POA
-KC Anchor Flange with Seepage Holes and Clamp Collar	POA
-P 1/2" Trap Primer Connection	POA
Ⓢ -SA Stabilizer Assembly (3" and 4" Outlets Only) (See Z1036)	148.00
-TS Top Secured Grate	POA
-VH Vacuum Handle (-GCX Cover Only)	POA
-3PT 3" Stainless Steel P-Trap	POA
-4PT 4" Stainless Steel P-Trap	POA
-6PT 6" Stainless Steel P-Trap	POA

### BEST SELLERS

LIST PRICE
Z1800-12S-3NH POA
Z1800-12S-4NH POA
Z1800-12S-4NH-P POA

\*Regularly furnished unless otherwise specified.

Items designated as Best Sellers are most specified and are generally in stock for shipment.

Ⓢ This symbol denotes a product that is engineered to reduce installation and rework time.

For additional product information, please visit [www.zurn.com](http://www.zurn.com)

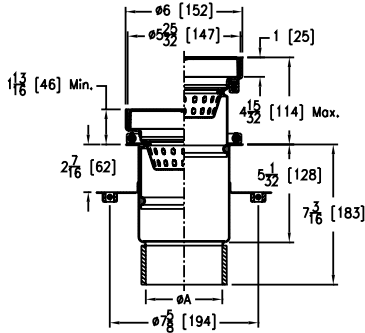
## Z1810-6B 6" DIAMETER ADJUSTABLE INDUSTRIAL FLOOR DRAIN



### ENGINEERING SPECIFICATION

Zurn Z1810-6B 6" diameter, 18 gauge, all Type 304 (CF8) stainless steel, round, industrial floor drain features loose set, anti-tilt, medium-duty, perforated grate, adjustable reinforced top frame with O-ring seal and securing clamp, perforated, removable sediment bucket with lift handle, pre-sloped bottom sump, and pre-pour stabilizing anchor tabs.

A Pipe Size inches [mm]	Approximate Weight lb [kg]	Grate Open Area sq in [cm <sup>2</sup> ]
<b>Butt-Weld (SCH 10) / No-Hub</b>		
2 [51], 3 [76], 4 [102]	6 [3]	5.8 [37]



PREFIXES	DESCRIPTION	A PIPE SIZE	LIST PRICE
Z1810-6B*	Type 304 (CF8) Stainless Steel*	2", 3", 4"	POA
ZM1810-6B	Type 316 (CF8M) Stainless Steel	2", 3", 4"	POA
OUTLETS (SPECIFY PIPE SIZE IN INCHES AND TYPE OF OUTLET)			
OUTLET TYPE	PIPE SIZE/ OUTLET TYPE	ADD	
BW	Butt-Weld (SCH-10)	2BW, 3BW, 4BW	N/C
NH	No-Hub	2NH, 3NH, 4NH	N/C
SUFFIXES	DESCRIPTION	ADD	
-KC	Anchor Flange with Seepage Holes and Clamp Collar	POA	
-P	1/2" Trap Primer Connection	POA	
Ⓢ -SA	Stabilizer Assembly (See Z1035)	138.00	
Ⓢ -SQ	Stabilizer Q-Deck (See Z1035-Q)	184.00	
-TS	Top Secured Grate	POA	
-2PT	2" Stainless Steel P-Trap	POA	
-3PT	3" Stainless Steel P-Trap	POA	
-4PT	4" Stainless Steel P-Trap	POA	
BEST SELLER			LIST PRICE
Z1810-6B-3NH-KC-TS			POA

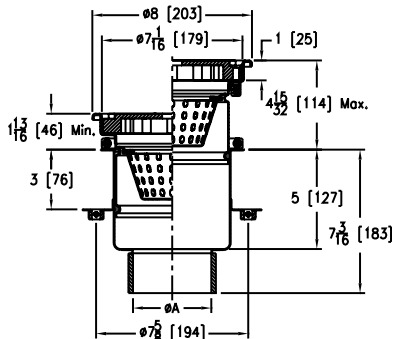
## Z1810-8B 8" DIAMETER ADJUSTABLE INDUSTRIAL FLOOR DRAIN



### ENGINEERING SPECIFICATION

Zurn Z1810-8B 8" diameter, 18 gauge, all Type 304 (CF8) stainless steel, round, industrial floor drain features loose set, anti-tilt, heavy-duty, perimeter drainage cover, adjustable reinforced top frame with O-ring seal and securing clamp, perforated, removable sediment bucket with lift handle, pre-sloped bottom sump, and pre-pour stabilizing anchor tabs.

A Pipe Size inches [mm]	Approximate Weight lb [kg]	Grate Open Area sq in [cm <sup>2</sup> ]
<b>Butt-Weld (SCH 10) / No-Hub</b>		
2 [51], 3 [76], 4 [102]	8 [4]	6.1 [39]



PREFIXES	DESCRIPTION	A PIPE SIZE	LIST PRICE
Z1810-8B*	Type 304 (CF8) Stainless Steel*	2", 3", 4"	POA
ZM1810-8B	Type 316 (CF8M) Stainless Steel	2", 3", 4"	POA
OUTLETS (SPECIFY PIPE SIZE IN INCHES AND TYPE OF OUTLET)			
OUTLET TYPE	PIPE SIZE/ OUTLET TYPE	ADD	
BW	Butt-Weld (SCH-10)	2BW, 3BW, 4BW	N/C
NH	No-Hub	2NH, 3NH, 4NH	N/C
GRATE OPTIONS	DESCRIPTION	ADD	
-GCH	Heavy-Duty Gas Tight Solid Cover	POA	
-PCX	Extra-Heavy-Duty Perimeter Drainage Cover (6.1 Sq. In. Open Area)	POA	
DEDUCT			
-PGM	Medium-Duty Perforated Grate (9.9 Sq. In. Open Area)	POA	
-SGH	Heavy-Duty Slotted Grate (11.2 Sq. In. Open Area)	POA	
-SGM	Medium-Duty Slotted Grate (11.2 Sq. In. Open Area)	POA	
SUFFIXES	DESCRIPTION	ADD	
-B	Bell Trap/Solid Sediment Bucket	POA	
-KC	Anchor Flange with Seepage Holes and Clamp Collar	POA	
-P	1/2" Trap Primer Connection	POA	
Ⓢ -SA	Stabilizer Assembly (See Z1035)	138.00	
Ⓢ -SQ	Stabilizer Q-Deck (See Z1035-Q)	184.00	
-TS	Top Secured Grate	POA	
-VH	Vacuum Handle (-GCH Cover Only)	POA	
-2PT	2" Stainless Steel P-Trap	POA	
-3PT	3" Stainless Steel P-Trap	POA	
-4PT	4" Stainless Steel P-Trap	POA	
BEST SELLER			LIST PRICE
Z1810-8B-4NH-GCH-P			POA

For additional product information, please visit [www.zurn.com](http://www.zurn.com)

\*Regularly furnished unless otherwise specified.

Items designated as Best Sellers are most specified and are generally in stock for shipment.

Ⓢ This symbol denotes a product that is engineered to reduce installation and rework time.



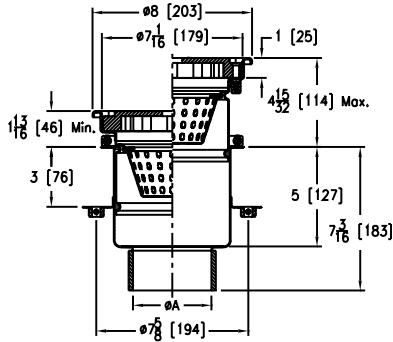
## Z1810-8S 8" X 8" ADJUSTABLE INDUSTRIAL FLOOR DRAIN



### ENGINEERING SPECIFICATION

Zurn Z1810-8S 8" x 8", 18 gauge, all Type 304 (CF8) stainless steel, industrial floor drain features loose set, anti-tilt, heavy-duty, perimeter drainage cover, adjustable reinforced top frame with O-ring seal and securing clamp, perforated, removable sediment bucket with lift handle, pre-sloped bottom sump, and pre-pour stabilizing anchor tabs.

A Pipe Size inches [mm]	Approximate Weight lb [kg]	Grate Open Area sq in [cm <sup>2</sup> ]
<b>Butt-Weld (SCH 10) / No-Hub</b>		
2 [51], 3 [76], 4 [102]	10 [5]	6.1 [39]



PREFIXES	DESCRIPTION	A PIPE SIZE	LIST PRICE
Z1810-8S*	Type 304 (CF8) Stainless Steel*	2", 3", 4"	POA
ZM1810-8S	Type 316 (CF8M) Stainless Steel	2", 3", 4"	POA
OUTLETS (SPECIFY PIPE SIZE IN INCHES AND TYPE OF OUTLET)			
OUTLET TYPE		PIPE SIZE/ OUTLET TYPE	ADD
BW	Butt-Weld (SCH-10)	2BW, 3BW, 4BW	N/C
NH	No-Hub	2NH, 3NH, 4NH	N/C
GRATE OPTIONS	DESCRIPTION		ADD
-GCH	Heavy-Duty Gas Tight Solid Cover		POA
-PCX	Extra-Heavy-Duty Perimeter Drainage Cover (6.1 Sq. In. Open Area)		POA
DEDUCT			
-PGM	Medium-Duty Perforated Grate (9.9 Sq. In. Open Area)		POA
-SGH	Heavy-Duty Slotted Grate (11.2 Sq. In. Open Area)		POA
-SGM	Medium-Duty Slotted Grate (11.2 Sq. In. Open Area)		POA
SUFFIXES	DESCRIPTION		ADD
-B	Bell Trap/Solid Sediment Bucket		POA
-KC	Anchor Flange with Seepage Holes and Clamp Collar		POA
-P	1/2" Trap Primer Connection		POA
⌚ -SA	Stabilizer Assembly (See Z1035)		138.00
⌚ -SQ	Stabilizer Q-Deck (See Z1035-Q)		184.00
-TS	Top Secured Grate		POA
-VH	Vacuum Handle (-GCH Cover Only)		POA
-2PT	2" Stainless Steel P-Trap		POA
-3PT	3" Stainless Steel P-Trap		POA
-4PT	4" Stainless Steel P-Trap		POA

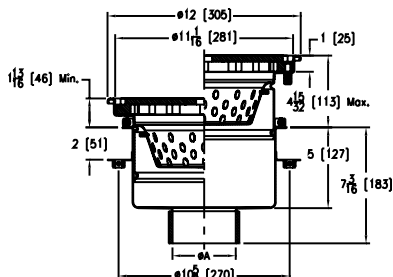
## Z1810-12B 12" DIAMETER ADJUSTABLE INDUSTRIAL FLOOR DRAIN



### ENGINEERING SPECIFICATION

Zurn Z1810-12B 12" diameter, 18 gauge, all Type 304 (CF8) stainless steel, round, industrial floor drain features loose set, anti-tilt, extra heavy-duty, perimeter drainage cover, adjustable reinforced top frame with O-ring seal and securing clamp, perforated, removable sediment bucket with lift handle, pre-sloped bottom sump, and pre-pour stabilizing anchor tabs.

A Pipe Size inches [mm]	Approximate Weight lb [kg]	Grate Open Area sq in [cm <sup>2</sup> ]
<b>Butt-Weld (SCH 10) / No-Hub</b>		
3 [76], 4 [102], 6 [152]	18 [8]	9.7 [63]



PREFIXES	DESCRIPTION	A PIPE SIZE	LIST PRICE
Z1810-12B*	Type 304 (CF8) Stainless Steel*	3", 4", 6"	POA
ZM1810-12B	Type 316 (CF8M) Stainless Steel	3", 4", 6"	POA
OUTLETS (SPECIFY PIPE SIZE IN INCHES AND TYPE OF OUTLET)			
OUTLET TYPE		PIPE SIZE/ OUTLET TYPE	ADD
BW	Butt-Weld (SCH-10)	3BW, 4BW, 6BW	N/C
NH	No-Hub	3NH, 4NH, 6NH	N/C
GRATE OPTIONS	DESCRIPTION		ADD
-GCX	Heavy-Duty Gas Tight Solid Cover		POA
-PCS	Extra-Heavy-Duty Perimeter Drainage Cover (6.1 Sq. In. Open Area)		POA
DEDUCT			
-PGM	Medium-Duty Perforated Grate (27.3 Sq. In. Open Area)		POA
-SGH	Heavy-Duty Slotted Grate (28.9 Sq. In. Open Area)		POA
-SGM	Medium-Duty Slotted Grate (28.9 Sq. In. Open Area)		POA
SUFFIXES	DESCRIPTION		ADD
-B	Bell Trap/Solid Sediment Bucket		POA
-KC	Anchor Flange with Seepage Holes and Clamp Collar		POA
-P	1/2" Trap Primer Connection		POA
⌚ -SA	Stabilizer Assembly (See Z1036)		138.00
-TS	Top Secured Grate		POA
-VH	Vacuum Handle (-GCX Cover Only)		POA
-3PT	3" Stainless Steel P-Trap		POA
-4PT	4" Stainless Steel P-Trap		POA
-6PT	6" Stainless Steel P-Trap		POA

\*Regularly furnished unless otherwise specified.

Items designated as Best Sellers are most specified and are generally in stock for shipment.

⌚ This symbol denotes a product that is engineered to reduce installation and rework time.

For additional product information, please visit [www.zurn.com](http://www.zurn.com)

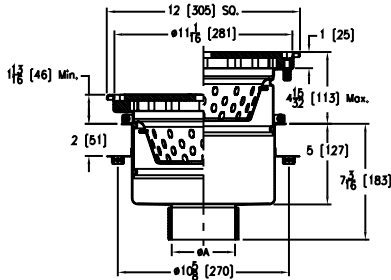
## Z1810-12S 12" X 12" ADJUSTABLE INDUSTRIAL FLOOR DRAIN



### ENGINEERING SPECIFICATION

Zurn Z1810-12S 12" x 12", 18 gauge, all Type 304 (CF8) stainless steel, industrial floor drain features loose set, anti-tilt, extra heavy-duty, perimeter drainage cover, adjustable reinforced top frame with O-ring seal and securing clamp, perforated, removable sediment bucket with lift handle, pre-sloped bottom sump, and pre-pour stabilizing anchor tabs.

A Pipe Size inches [mm]	Approximate Weight lb [kg]	Grate Open Area sq in [cm <sup>2</sup> ]
<b>Butt-Weld (SCH 10) / No-Hub</b>		
3 [76], 4 [102], 6 [152]	21 [10]	9.7 [63]



PREFIXES	DESCRIPTION	A PIPE SIZE	LIST PRICE
Z1810-12S*	Type 304 (CF8) Stainless Steel*	3", 4", 6"	POA
ZM1810-12S	Type 316 (CF8M) Stainless Steel	3", 4", 6"	POA
OUTLETS (SPECIFY PIPE SIZE IN INCHES AND TYPE OF OUTLET)			
OUTLET TYPE	PIPE SIZE/OUTLET TYPE		ADD
BW	Butt-Weld (SCH-10)	3BW, 4BW, 6BW	N/C
NH	No-Hub	3NH, 4NH, 6NH	N/C
GRATE OPTIONS	DESCRIPTION	ADD	
-GCX	Extra-Heavy-Duty Gas Tight Solid Cover	POA	
-PCS	Special-Duty Perimeter Drainage Cover (9.7 Sq. In. Open Area)	POA	
-PGM	Medium-Duty Perforated Grate (27.3 Sq. In. Open Area)	POA	
DEDUCT			
-SGH	Heavy-Duty Slotted Grate (28.9 Sq. In. Open Area)	POA	
-SGM	Medium-Duty Slotted Grate (28.9 Sq. In. Open Area)	POA	
SUFFIXES	DESCRIPTION	ADD	
-B	Bell Trap/Solid Sediment Bucket	POA	
-KC	Anchor Flange with Seepage Holes and Clamp Collar	POA	
-P	1/2" Trap Primer Connection	POA	
Ⓛ -SA	Stabilizer Assembly (See Z1036)	148.00	
-TS	Top Secured Grate	POA	
-VH	Vacuum Handle (-GCX Cover Only)	POA	
-3PT	3" Stainless Steel P-Trap	POA	
-4PT	4" Stainless Steel P-Trap	POA	
-6PT	6" Stainless Steel P-Trap	POA	
BEST SELLER		LIST PRICE	
Z1810-12S-3NH-KC		POA	

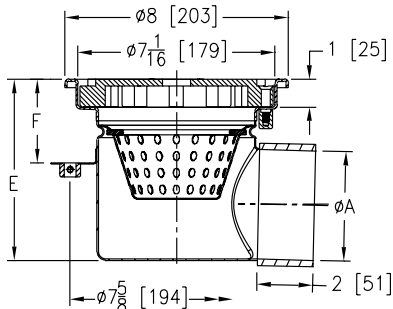
## Z1820-8B 8" DIAMETER INDUSTRIAL FLOOR DRAIN WITH SIDE OUTLET



### ENGINEERING SPECIFICATION

Zurn Z1820-8B 8" diameter, 18 gauge, all Type 304 (CF8) stainless steel, round, industrial floor drain features 1.25° pre-sloped side outlet, loose set, anti-tilt, heavy-duty, perimeter drainage cover, reinforced top frame, perforated, removable sediment bucket with lift handle, and pre-pour stabilizing anchor tabs.

Dimensions in inches [mm]			Approximate Weight lb [kg]	Grate Open Area sq in [cm <sup>2</sup> ]
A Pipe Size	E Body Height Dimensions	F		
<b>Butt-Weld (SCH 10) / No-Hub</b>				
2 [51], 3 [76]	6 [152]	3-1/2 [89]	7 [3]	6.1 [39]
4 [102]	6-1/2 [165]	3 [76]		



PREFIXES	DESCRIPTION	A PIPE SIZE	LIST PRICE
Z1820-8B*	Type 304 (CF8) Stainless Steel*	2", 3", 4"	POA
ZM1820-8B	Type 316 (CF8M) Stainless Steel	2", 3", 4"	POA
OUTLETS (SPECIFY PIPE SIZE IN INCHES AND TYPE OF OUTLET)			
OUTLET TYPE	PIPE SIZE/OUTLET TYPE	'E' BODY HT. DIM.	ADD
BW	Butt-Weld (SCH-10)	2BW, 3BW	6"
		4BW	6-1/2"
NH	No-Hub	2NH, 3NH	6"
		4NH	6-1/2"
GRATE OPTIONS	DESCRIPTION	ADD	
-GCH	Heavy-Duty Gas Tight Solid Cover	POA	
-PCX	Extra-Heavy-Duty Perimeter Drainage Cover (6.1 Sq. In. Open Area)	POA	
DEDUCT			
-PGM	Medium-Duty Perforated Grate (9.9 Sq. In. Open Area)	POA	
-SGH	Heavy-Duty Slotted Grate (11.2 Sq. In. Open Area)	POA	
-SGM	Medium-Duty Slotted Grate (11.2 Sq. In. Open Area)	POA	
SUFFIXES	DESCRIPTION	ADD	
-B	Bell Trap/Solid Sediment Bucket	POA	
-P	1/2" Trap Primer Connection	POA	
Ⓛ -SA	Stabilizer Assembly (See Z1035)	138.00	
Ⓛ -SQ	Stabilizer Q-Deck (See Z1035-Q)	184.00	
-TS	Top Secured Grate	POA	
-VH	Vacuum Handle (-GCH Cover Only)	POA	

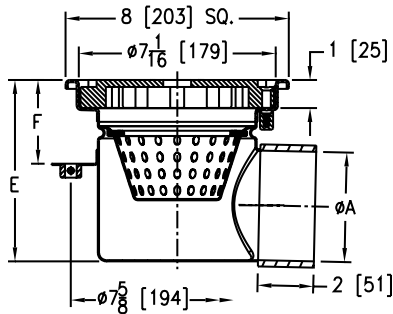
## Z1820-8S 8" X 8" INDUSTRIAL FLOOR DRAIN WITH SIDE OUTLET



### ENGINEERING SPECIFICATION

Zurn Z1820-8S 8" x 8", 18 gauge, all Type 304 (CF8) stainless steel, industrial floor drain features 1.25° pre-sloped side outlet, loose set, anti-tilt, heavy-duty, perimeter drainage cover, reinforced top frame, perforated, removable sediment bucket with lift handle, and pre-pour stabilizing anchor tabs.

Dimensions in inches [mm]			Approximate Weight lb [kg]
A Pipe Size	E Body Height Dimensions	F	
Butt-Weld (SCH 10) / No-Hub			
2 [51], 3 [76]	6 [152]	3-1/2 [89]	10 [5]
4 [102]	6-1/2 [165]	3 [76]	



PREFIXES	DESCRIPTION	A PIPE SIZE	LIST PRICE	
Z1820-8S*	Type 304 (CF8) Stainless Steel*	2", 3", 4"	POA	
ZM1820-8S	Type 316 (CF8M) Stainless Steel	2", 3", 4"	POA	
OUTLETS (SPECIFY PIPE SIZE IN INCHES AND TYPE OF OUTLET)				
OUTLET TYPE		PIPE SIZE/ OUTLET TYPE	'E' BODY HT. DIM.	ADD
BW	Butt-Weld (SCH-10)	2BW, 3BW	6"	N/C
		4BW	6-1/2"	N/C
NH	No-Hub	2NH, 3NH	6"	N/C
		4NH	6-1/2"	N/C
GRATE OPTIONS	DESCRIPTION			ADD
-GCH	Heavy-Duty Gas Tight Solid Cover			POA
-PCX	Extra-Heavy-Duty Perimeter Drainage Cover (6.1 Sq. In. Open Area)			POA
DEDUCT				
-PGM	Medium-Duty Perforated Grate (9.9 Sq. In. Open Area)			POA
-SGH	Heavy-Duty Slotted Grate (11.2 Sq. In. Open Area)			POA
-SGM	Medium-Duty Slotted Grate (11.2 Sq. In. Open Area)			POA
SUFFIXES	DESCRIPTION			ADD
-B	Bell Trap/Solid Sediment Bucket			POA
-P	1/2" Trap Primer Connection			POA
Ⓛ -SA	Stabilizer Assembly (See Z1035)			138.00
Ⓛ -SQ	Stabilizer Q-Deck (See Z1035-Q)			184.00
-TS	Top Secured Grate			POA
-VH	Vacuum Handle (-GCH Cover Only)			POA

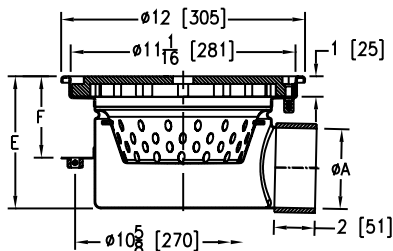
## Z1820-12B 12" DIAMETER INDUSTRIAL FLOOR DRAIN WITH SIDE OUTLET



### ENGINEERING SPECIFICATION

Zurn Z1820-12B 12" diameter, 18 gauge, all Type 304 (CF8) stainless steel, round, industrial floor drain features 1.25° pre-sloped side outlet, loose set, anti-tilt, extra heavy-duty, perimeter drainage cover, reinforced top frame, perforated, removable sediment bucket with lift handle, and pre-pour stabilizing anchor tabs.

Dimensions in inches [mm]				Approximate Weight lb [kg]	Grate Open Area sq in [cm²]
A Pipe Size	E Body Height Dimensions	F			
Butt-Weld (SCH 10) / No-Hub					
3 [76]	6 [152]	4 [102]	17 [8]	9.7 [63]	
4 [102]	6-1/2 [165]				
6 [152]	8-1/2 [216]	7-1/2 [191]			



PREFIXES	DESCRIPTION	A PIPE SIZE	LIST PRICE	
Z1820-12B*	Type 304 (CF8) Stainless Steel*	3", 4", 6"	POA	
ZM1820-12B	Type 316 (CF8M) Stainless Steel	3", 4", 6"	POA	
OUTLETS (SPECIFY PIPE SIZE IN INCHES AND TYPE OF OUTLET)				
OUTLET TYPE		PIPE SIZE/ OUTLET TYPE	ADD	
BW	Butt-Weld (SCH-10)	3BW	6"	N/C
		4BW	6-1/2"	N/C
		6BW	8-1/2"	N/C
NH	No-Hub	3NH	6"	N/C
		4NH	6-1/2"	N/C
		6NH	8-1/2"	N/C
GRATE OPTIONS	DESCRIPTION		ADD	
-GCX	Extra-Heavy-Duty Gas Tight Solid Cover		POA	
-PCS	Special-Duty Perimeter Drainage Cover (9.7 Sq. In. Open Area)		POA	
-PGM	Medium-Duty Perforated Grate (27.3 Sq. In. Open Area)		N/C	
DEDUCT				
-SGH	Heavy-Duty Slotted Grate (28.9 Sq. In. Open Area)		POA	
-SGM	Medium-Duty Slotted Grate (28.9 Sq. In. Open Area)		POA	
SUFFIXES	DESCRIPTION		ADD	
-B	Bell Trap/Solid Sediment Bucket		POA	
-P	1/2" Trap Primer Connection		POA	
Ⓛ -SA	Stabilizer Assembly (See Z1036)		148.00	
-TS	Top Secured Grate		POA	
-VH	Vacuum Handle (-GCX Cover Only)		POA	

\*Regularly furnished unless otherwise specified.

Items designated as Best Sellers are most specified and are generally in stock for shipment.

Ⓛ This symbol denotes a product that is engineered to reduce installation and rework time.

For additional product information, please visit [www.zurn.com](http://www.zurn.com)

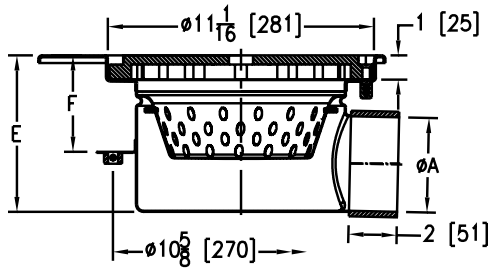
## Z1820-12S 12" X 12" INDUSTRIAL FLOOR DRAIN WITH SIDE OUTLET



### ENGINEERING SPECIFICATION

Zurn Z1820-12S 12" x 12", 18 gauge, all Type 304 (CF8) stainless steel, industrial floor drain features 1.25° pre-sloped side outlet, loose set, anti-tilt, extra heavy-duty, perimeter drainage cover, reinforced top frame, perforated, removable sediment bucket with lift handle, and pre-pour stabilizing anchor tabs.

A Pipe Size	E Body Height Dimensions	F	Approximate Weight lb [kg]	Grate Open Area sq in [cm <sup>2</sup> ]
Butt-Weld (SCH 10) / No-Hub				
3 [76]	6 [152]	4 [102]	20 [9]	9.7 [63]
4 [102]	6-1/2 [165]			
6 [152]	8-1/2 [216]	7-1/2 [191]		



PREFIXES	DESCRIPTION	A PIPE SIZE	LIST PRICE
Z1820-12S*	Type 304 (CF8) Stainless Steel*	3", 4", 6"	POA
ZM1820-12S	Type 316 (CF8M) Stainless Steel	3", 4", 6"	POA
OUTLETS (SPECIFY PIPE SIZE IN INCHES AND TYPE OF OUTLET)			
OUTLET TYPE	PIPE SIZE/ OUTLET TYPE		ADD
BW	Butt-Weld (SCH-10)	3BW 6"	N/C
		4BW 6-1/2"	N/C
		6BW 8-1/2"	N/C
NH	No-Hub	3NH 6"	N/C
		4NH 6-1/2"	N/C
		6NH 8-1/2"	N/C
GRATE OPTIONS	DESCRIPTION	ADD	
-GCX	Extra-Heavy-Duty Gas Tight Solid Cover	POA	
-PCS	Special-Duty Perimeter Drainage Cover (9.7 Sq. In. Open Area)	POA	
-PGM	Medium-Duty Perforated Grate (27.3 Sq. In. Open Area)	POA	
DEDUCT			
-SGH	Heavy-Duty Slotted Grate (28.9 Sq. In. Open Area)	POA	
-SGM	Medium-Duty Slotted Grate (28.9 Sq. In. Open Area)	POA	
SUFFIXES	DESCRIPTION	ADD	
-B	Bell Trap/Solid Sediment Bucket	POA	
-P	1/2" Trap Primer Connection	POA	
Ⓛ -SA	Stabilizer Assembly (See Z1036)	148.00	
-TS	Top Secured Grate	POA	
-VH	Vacuum Handle (-GCX Cover Only)	POA	

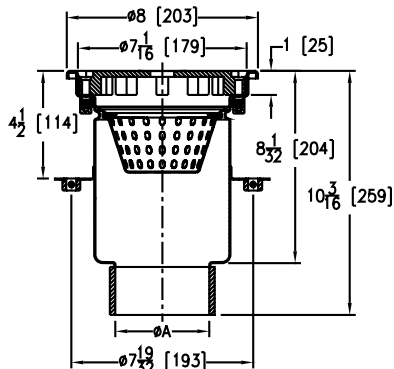
## Z1830-8B 8" DIAMETER INDUSTRIAL FLOOR DRAIN 8" SUMP DEPTH



### ENGINEERING SPECIFICATION

Zurn Z1830-8B 8" diameter x 8" deep, 18 gauge, all Type 304 (CF8) stainless steel, round, industrial floor drain features loose set, anti-tilt, heavy-duty, perimeter drainage cover, reinforced top frame, perforated, removable sediment bucket with lift handle, pre-sloped bottom sump, and pre-pour stabilizing anchor tabs.

A Pipe Size	Approximate Weight lb [kg]	Grate Open Area sq in [cm <sup>2</sup> ]
Butt-Weld (SCH 10) / No-Hub		
2 [51], 3 [76], 4 [102]	8 [4]	6.1 [39]



PREFIXES	DESCRIPTION	A PIPE SIZE	LIST PRICE
Z1830-8B*	Type 304 (CF8) Stainless Steel*	2", 3", 4"	POA
ZM1830-8B	Type 316 (CF8M) Stainless Steel	2", 3", 4"	POA
OUTLETS (SPECIFY PIPE SIZE IN INCHES AND TYPE OF OUTLET)			
OUTLET TYPE	PIPE SIZE/ OUTLET TYPE		ADD
BW	Butt-Weld (SCH-10)	2BW, 3BW, 4BW	N/C
		NH	N/C
		2NH, 3NH, 4NH	N/C
GRATE OPTIONS	DESCRIPTION	ADD	
-GCH	Heavy-Duty Gas Tight Solid Cover	POA	
-PCX	Extra-Heavy-Duty Perimeter Drainage Cover (6.1 Sq. In. Open Area)	POA	
DEDUCT			
-PGM	Medium-Duty Perforated Grate (9.9 Sq. In. Open Area)	POA	
-SGH	Heavy-Duty Slotted Grate (11.2 Sq. In. Open Area)	POA	
-SGM	Medium-Duty Slotted Grate (11.2 Sq. In. Open Area)	POA	
SUFFIXES	DESCRIPTION	ADD	
-B	Bell Trap/Solid Sediment Bucket	POA	
-KC	Anchor Flange with Seepage Holes and Clamp Collar	POA	
-P	1/2" Trap Primer Connection	POA	
Ⓛ -SA	Stabilizer Assembly (See Z1036)	138.00	
Ⓛ -SQ	Stabilizer Q-Deck (See Z1035-Q)	184.00	
-TS	Top Secured Grate	POA	
-VH	Vacuum Handle (-GCH Cover Only)	POA	
-2PT	2" Stainless Steel P-Trap	POA	
-3PT	3" Stainless Steel P-Trap	POA	
-4PT	4" Stainless Steel P-Trap	POA	

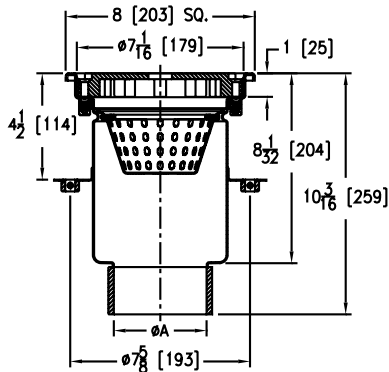
## Z1830-8S 8" X 8" DIAMETER INDUSTRIAL FLOOR DRAIN 8" SUMP DEPTH



### ENGINEERING SPECIFICATION

Zurn Z1830-8S 8" x 8" x 8" deep, 18 gauge, all Type 304 (CF8) stainless steel, square, industrial floor drain features loose set, anti-tilt, heavy-duty, perimeter drainage cover, reinforced top frame, perforated, removable sediment bucket with lift handle, pre-sloped bottom sump, and pre-pour stabilizing anchor tabs.

A Pipe Size inches [mm]	Approximate Weight lb [kg]	Grate Open Area sq in [cm <sup>2</sup> ]
<b>Butt-Weld (SCH 10) / No-Hub</b>		
2 [51], 3 [76], 4 [102]	11 [5]	6.1 [39]



PREFIXES	DESCRIPTION	A PIPE SIZE	LIST PRICE
Z1830-8S*	Type 304 (CF8) Stainless Steel*	2", 3", 4"	POA
ZM1830-8S	Type 316 (CF8M) Stainless Steel	2", 3", 4"	POA
OUTLETS (SPECIFY PIPE SIZE IN INCHES AND TYPE OF OUTLET)			
OUTLET TYPE	PIPE SIZE/OUTLET TYPE		ADD
BW	Butt-Weld (SCH-10)	2BW, 3BW, 4BW	N/C
NH	No-Hub	2NH, 3NH, 4NH	N/C
GRATE OPTIONS	DESCRIPTION	ADD	
-GCH	Heavy-Duty Gas Tight Solid Cover	POA	
-PCX	Extra-Heavy-Duty Perimeter Drainage Cover (6.1 Sq. In. Open Area)	POA	
DEDUCT			
-PGM	Medium-Duty Perforated Grate (9.9 Sq. In. Open Area)	POA	
-SGH	Heavy-Duty Slotted Grate (11.2 Sq. In. Open Area)	POA	
-SGM	Medium-Duty Slotted Grate (11.2 Sq. In. Open Area)	POA	
SUFFIXES	DESCRIPTION	ADD	
-B	Bell Trap/Solid Sediment Bucket	POA	
-KC	Anchor Flange with Seepage Holes and Clamp Collar	POA	
-P	1/2" Trap Primer Connection	POA	
Ⓛ -SA	Stabilizer Assembly (See Z1035)	138.00	
Ⓛ -SQ	Stabilizer Q-Deck (See Z1035-Q)	184.00	
-TS	Top Secured Grate	POA	
-VH	Vacuum Handle (-GCH Cover Only)	POA	
-2PT	2" Stainless Steel P-Trap	POA	
-3PT	3" Stainless Steel P-Trap	POA	
-4PT	4" Stainless Steel P-Trap	POA	

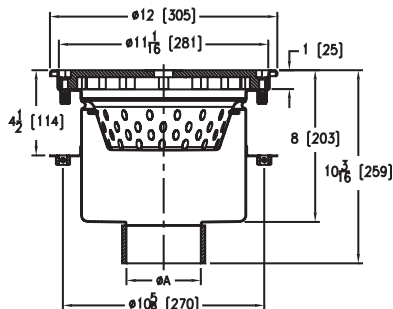
## Z1830-12B 12" DIAMETER INDUSTRIAL FLOOR DRAIN 8" SUMP DEPTH



### ENGINEERING SPECIFICATION

Zurn Z1830-12B 12" diameter x 8" deep, 18 gauge, all Type 304 (CF8) stainless steel, round, industrial floor drain features loose set, anti-tilt, extra heavy-duty, perimeter drainage cover, reinforced top frame, perforated, removable sediment bucket with lift handle, presloped bottom sump, and pre-pour stabilizing anchor tabs.

A Pipe Size inches [mm]	Approximate Weight lb [kg]	Grate Open Area sq in [cm <sup>2</sup> ]
<b>Butt-Weld (SCH 10) / No-Hub</b>		
3 [76], 4 [102], 6 [152]	18 [8]	9.7 [63]



PREFIXES	DESCRIPTION	A PIPE SIZE	LIST PRICE
Z1830-12B*	Type 304 (CF8) Stainless Steel*	3", 4", 6"	POA
ZM1830-12B	Type 316 (CF8M) Stainless Steel	3", 4", 6"	POA
OUTLETS (SPECIFY PIPE SIZE IN INCHES AND TYPE OF OUTLET)			
OUTLET TYPE	PIPE SIZE/OUTLET TYPE		ADD
BW	Butt-Weld (SCH-10)	3BW, 4BW, 6BW	N/C
NH	No-Hub	3NH, 4NH, 6NH	N/C
GRATE OPTIONS	DESCRIPTION	ADD	
-GCX	Extra-Heavy-Duty Gas Tight Solid Cover	POA	
-PCS	Special-Duty Perimeter Drainage Cover (9.7 Sq. In. Open Area)	POA	
-PGM	Medium-Duty Perforated Grate (27.3 Sq. In. Open Area)	POA	
DEDUCT			
-SGH	Heavy-Duty Slotted Grate (28.9 Sq. In. Open Area)	POA	
-SGM	Medium-Duty Slotted Grate (28.9 Sq. In. Open Area)	POA	
SUFFIXES	DESCRIPTION	ADD	
-B	Bell Trap/Solid Sediment Bucket	POA	
-KC	Anchor Flange with Seepage Holes and Clamp Collar	POA	
-P	1/2" Trap Primer Connection	POA	
Ⓛ -SA	Stabilizer Assembly (See Z1036) 3" and 4" Outlets Only	148.00	
-TS	Top Secured Grate	POA	
-VH	Vacuum Handle (-GCX Cover Only)	POA	
-3PT	3" Stainless Steel P-Trap	POA	
-4PT	4" Stainless Steel P-Trap	POA	
-6PT	6" Stainless Steel P-Trap	POA	
BEST SELLER			LIST PRICE
Z1830-12B-4NH-KC-SGH			POA

\*Regularly furnished unless otherwise specified.

Items designated as Best Sellers are most specified and are generally in stock for shipment.

Ⓛ This symbol denotes a product that is engineered to reduce installation and rework time.

For additional product information, please visit [www.zurn.com](http://www.zurn.com)

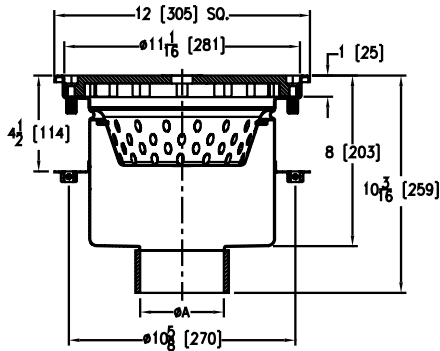
## Z1830-12S 12" X 12" INDUSTRIAL FLOOR DRAIN 8" SUMP DEPTH



### ENGINEERING SPECIFICATION

Zurn Z1830-12S 12" x 12" x 8" deep, 18 gauge, all Type 304 (CF8) stainless steel, square, industrial floor drain features loose set, anti-tilt, extra heavy-duty, perimeter drainage cover, reinforced top frame, perforated, removable sediment bucket with lift handle, presloped bottom sump, and pre-pour stabilizing anchor tabs.

A Pipe Size inches [mm]	Approximate Weight lb [kg]	Grate Open Area sq in [cm <sup>2</sup> ]
Butt-Weld (SCH 10) / No-Hub		
3 [76], 4 [102], 6 [152]	21 [10]	9.7 [63]



PREFIXES	DESCRIPTION	A PIPE SIZE	LIST PRICE
Z1830-12S*	Type 304 (CF8) Stainless Steel*	3", 4", 6"	POA
ZM1830-12S	Type 316 (CF8M) Stainless Steel	3", 4", 6"	POA
OUTLETS (SPECIFY PIPE SIZE IN INCHES AND TYPE OF OUTLET)			
OUTLET TYPE		PIPE SIZE/OUTLET TYPE	ADD
BW	Butt-Weld (SCH-10)	3BW, 4BW, 6BW	N/C
NH	No-Hub	3NH, 4NH, 6NH	N/C
GRATE OPTIONS			
DESCRIPTION			ADD
-GCX	Extra-Heavy-Duty Gas Tight Solid Cover		POA
-PCS	Special-Duty Perimeter Drainage Cover (9.7 Sq. In. Open Area)		POA
-PGM	Medium-Duty Perforated Grate (27.3 Sq. In. Open Area)		DEDUCT
-SGH	Heavy-Duty Slotted Grate (28.9 Sq. In. Open Area)		POA
-SGM	Medium-Duty Slotted Grate (28.9 Sq. In. Open Area)		POA
SUFFIXES			
DESCRIPTION			ADD
-B	Bell Trap/Solid Sediment Bucket		POA
-KC	Anchor Flange with Seepage Holes and Clamp Collar		POA
-P	1/2" Trap Primer Connection		POA
Ⓢ -SA	Stabilizer Assembly (See Z1036) 3" and 4" Outlets Only		148.00
-TS	Top Secured Grate		POA
-VH	Vacuum Handle (-GCX Cover Only)		POA
-3PT	3" Stainless Steel P-Trap		POA
-4PT	4" Stainless Steel P-Trap		POA
-6PT	6" Stainless Steel P-Trap		POA

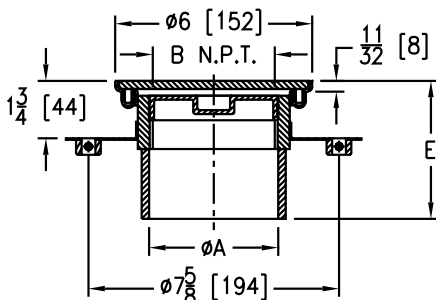
## Z1840-6B 6" DIAMETER INDUSTRIAL FLOOR CLEANOUT



### ENGINEERING SPECIFICATION

Zurn Z1840-6B 6" diameter, 18 gauge, all Type 304 (CF8) stainless steel, round, industrial floor cleanout features secured, extra heavy-duty cover, removable ABS cleanout plug, and pre-pour stabilizing anchor tabs.

Dimensions in inches [mm]				Approximate Weight lb [kg]
A Pipe Size	B N.P.T.	E Body Height Dimensions	Top Size	
Butt-Weld (SCH 10) / No-Hub				
3 [76]	2-1/2 [64]	4-1/32 [102]	6 [152]	5 [2]
4 [102]	3-1/2 [89]	4-21/32 [118]	6 [152]	



PREFIXES	DESCRIPTION	A PIPE SIZE	LIST PRICE	
Z1840-6B*	Type 304 (CF8) Stainless Steel*	3", 4"	POA	
ZM1840-6B	Type 316 (CF8M) Stainless Steel	3", 4"	POA	
OUTLETS (SPECIFY PIPE SIZE IN INCHES AND TYPE OF OUTLET)				
OUTLET TYPE		PIPE SIZE/OUTLET TYPE	'E' BODY HT. DIM.	ADD
BW	Butt-Weld (SCH-10)	3BW	4-1/32"	N/C
		4BW	4-21/32"	N/C
NH	No-Hub	3NH	4-1/32"	N/C
		4NH	4-21/32"	N/C
SUFFIXES				
DESCRIPTION			ADD	
Ⓢ -SA	Stabilizer Assembly (See Z1035)		-	
Ⓢ -SQ	Stabilizer Q-Deck (See Z1035-Q)		-	
BEST SELLER			LIST PRICE	
Z1840-6B-4NH			POA	

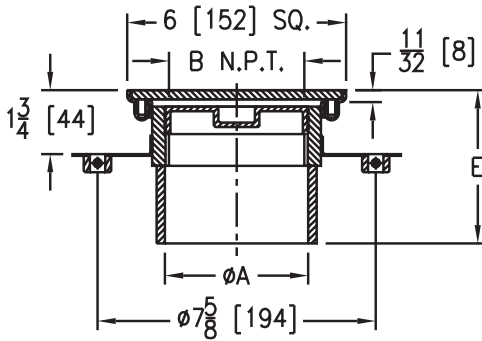
## Z1840-6S 6" X 6" INDUSTRIAL FLOOR CLEANOUT



### ENGINEERING SPECIFICATION

Zurn Z1840-6S 6" x 6" square, 18 gauge, all Type 304 (CF8) stainless steel industrial floor cleanout features secured, extra heavy-duty cover, removable ABS cleanout plug, and pre-pour stabilizing anchor tabs.

Dimensions in inches [mm]				Approximate Weight lb [kg]
A Pipe Size	B N.P.T.	E Body Height Dimensions	Top Size	
Butt-Weld (SCH 10) / No-Hub				
3 [76]	2-1/2 [64]	4-1/32 [102]	6 [152]	6 [3]
4 [102]	3-1/2 [89]	4-21/32 [118]	6 [152]	



PREFIXES	DESCRIPTION	A PIPE SIZE	LIST PRICE	
Z1840-6S*	Type 304 (CF8) Stainless Steel*	3", 4"	POA	
ZM1840-6S	Type 316 (CF8M) Stainless Steel	3", 4"	POA	
OUTLETS (SPECIFY PIPE SIZE IN INCHES AND TYPE OF OUTLET)				
OUTLET TYPE	PIPE SIZE/ OUTLET TYPE	'E' BODY HT. DIM.	ADD	
BW	Butt-Weld (SCH-10)	3BW	4-1/32"	N/C
		4BW	4-21/32"	N/C
NH	No-Hub	3NH	4-1/32"	N/C
		4NH	4-21/32"	N/C
SUFFIXES	DESCRIPTION		ADD	
① -SA	Stabilizer Assembly (See Z1035)		-	
② -SQ	Stabilizer Q-Deck (See Z1035-Q)		-	
SEE LEGACY ADDENDUM ON PAGE 369 FOR MORE INFORMATION				

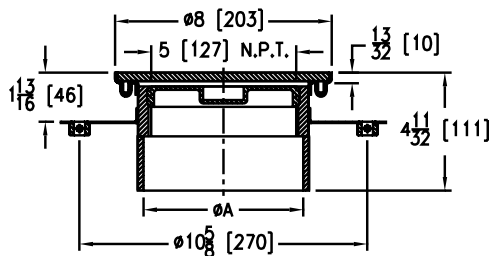
## Z1840-8B 8" DIAMETER INDUSTRIAL FLOOR CLEANOUT



### ENGINEERING SPECIFICATION

Zurn Z1840-8B 8" diameter, 18 gauge, all Type 304 (CF8) stainless steel industrial floor cleanout features secured, extra heavy-duty cover, removable ABS cleanout plug, and pre-pour stabilizing anchor tabs.

Dimensions in inches [mm]			Approximate Weight lb [kg]
A Pipe Size	B N.P.T.	Top Size	
Butt-Weld (SCH 10) / No-Hub			
6 [152]	5 [127]	8 [203]	6 [3]



PREFIXES	DESCRIPTION	A PIPE SIZE	LIST PRICE
Z1840-8B*	Type 304 (CF8) Stainless Steel*	6"	POA
ZM1840-8B	Type 316 (CF8M) Stainless Steel	6"	POA
OUTLETS (SPECIFY PIPE SIZE IN INCHES AND TYPE OF OUTLET)			
OUTLET TYPE	PIPE SIZE/ OUTLET TYPE		ADD
BW	Butt-Weld (SCH-10)	6BW	N/C
NH	No-Hub	6NH	N/C
BEST SELLER			LIST PRICE
Z1840-8B-6NH			POA

\*Regularly furnished unless otherwise specified.

Items designated as Best Sellers are most specified and are generally in stock for shipment.

⌚ This symbol denotes a product that is engineered to reduce installation and rework time.

For additional product information, please visit [www.zurn.com](http://www.zurn.com)

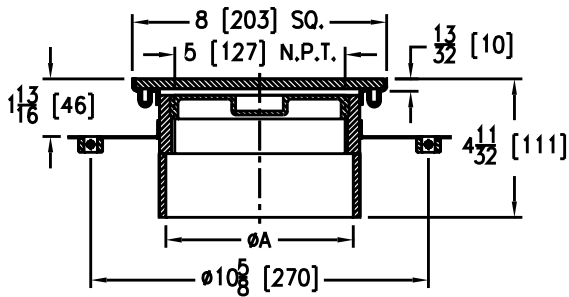
## Z1840-8S 8" X 8" INDUSTRIAL FLOOR CLEANOUT



### ENGINEERING SPECIFICATION

Zurn Z1840-8S 8" x 8" square, 18 gauge, all Type 304 (CF8) stainless steel industrial floor cleanout features secured, extra heavy-duty cover, removable ABS cleanout plug, and pre-pour stabilizing anchor tabs.

Dimensions in inches [mm]			Approximate Weight lb [kg]
A Pipe Size	B N.P.T.	Top Size	
Butt-Weld (SCH 10) / No-Hub			
6 [152]	5 [127]	8 [203]	7 [3]



PREFIXES	DESCRIPTION	A PIPE SIZE	LIST PRICE
Z1840-8S*	Type 304 (CF8) Stainless Steel*	6"	POA
ZM1840-8S	Type 316 (CF8M) Stainless Steel	6"	POA
OUTLETS (SPECIFY PIPE SIZE IN INCHES AND TYPE OF OUTLET)			
OUTLET TYPE	PIPE SIZE/ OUTLET TYPE		ADD
BW	Butt-Weld (SCH-10)	6BW	N/C
NH	No-Hub	6NH	N/C



# SANI-FLOR RECEPTORS

SANI-FLOR RECEPTORS – MATERIAL SELECTION	352
SANI-FLOR RECEPTORS – OPTIONS AND VARIATIONS	352
<b>Z1900</b> 12" X 12" A.R.E. SANI-FLOR RECEPTOR WITH 6" SUMP DEPTH	353
⌚ <b>Z1900-RL</b> 12" X 12" X 6" REPLACEMENT FLOOR SINK LINER	354
<b>Z1901</b> 12" X 12" A.R.E. SANI-FLOR RECEPTOR WITH 8" SUMP DEPTH	355
⌚ <b>Z1901-RL</b> 12" X 12" X 8" REPLACEMENT FLOOR SINK LINER	356
<b>Z1902</b> 12" X 12" A.R.E. SANI-FLOR RECEPTOR WITH 10" SUMP DEPTH	357
⌚ <b>Z1902-RL</b> 12" X 12" X 10" REPLACEMENT FLOOR SINK LINER	358
⌚ <b>Z1903</b> SANI-FLOR RECEPTOR INSTALLATION STABILIZER	358
<b>Z1910</b> 8" X 8" A.R.E. SANI-FLOR RECEPTOR WITH 6" SUMP DEPTH	359
⌚ <b>Z1910-RL</b> 8" X 8" X 6" REPLACEMENT FLOOR SINK LINER	360
<b>Z1920</b> 16" X 16" A.R.C. SANI-FLOR RECEPTOR WITH 7" SUMP DEPTH	361
<b>Z1926</b> 16" X 16" A.R.C. SANI-FLOR RECEPTOR WITH 12" SUMP DEPTH	362
<b>Z1930</b> 8" X 4" A.R.C. SANI-FLOR RECEPTOR WITH 4" SUMP DEPTH	363
<b>Z1940</b> 12" X 6" A.R.C. SANI-FLOR RECEPTOR WITH 8" SUMP DEPTH	364
<b>Z1950</b> 12" DIAMETER A.R.E. SANI-FLOR RECEPTOR WITH 8" SUMP DEPTH	365
<b>Z1960</b> 8" DIAMETER A.R.E. SANI-FLOR RECEPTOR WITH 6" SUMP DEPTH	366
<b>Z1970</b> 9" DIAMETER SHALLOW A.R.C. SANI-FLOR RECEPTOR WITH 3" SUMP DEPTH	367
<b>Z1982</b> 12" X 12" STAINLESS STEEL SANI-FLOR CAN WASH DRAIN WITH 8" SUMP DEPTH	368
<b>Z1995</b> 24" X 16" A.R.C. SANI-FLOR RECEPTOR WITH 17" SUMP DEPTH	368

## SANI-FLOR RECEPTORS – MATERIAL SELECTION

- A.R.C.** Acid Resisting Epoxy Coating is a baked-on powder coating which produces a smooth, hard, high gloss finish. This epoxy based coating offers high impact resistance and excellent life expectancy in all drainage applications.
- A.R.E.** Acid Resisting Porcelain Enamel is a substantially vitreous inorganic coating bonded to metal by fusion at a high temperature above 800°F. This coating offers excellent acid, abrasion, and wear resistance. The coating is extremely hard and is the ultimate for sanitation in drainage application.

## SANI-FLOR RECEPTORS – OPTIONS AND VARIATIONS

Zurn Sani-Flor Receptor options are specified as a PREFIX and/or SUFFIX letter or number added to the series designation. Each floor sink in the catalog is listed with its individual Prefix/Suffix variation.

PREFIXES	
<b>Z</b>	Cast iron body with white acid resisting porcelain enamel (A.R.E.) interior and top.
<b>ZN</b>	Cast iron body with white acid resisting porcelain enamel (A.R.E.) interior and nickel bronze top.
SUFFIXES	
<b>-C</b>	Clamp Collar
<b>-DX</b>	Dex-O-Tex Flange
<b>-HD</b>	Stainless Steel Frame with Extra-Heavy-Duty Stainless Steel Grate - Specify in areas where working load exceeds 2000 pounds or where extreme chemical resistance properties are required.
<b>-HP</b>	Heel-Proof Grate
<b>-K</b>	Anchor Flange
<b>-KC</b>	Anchor Flange with Seepage Holes and Clamp Collar
<b>-LD</b>	Less Internal Bottom Dome Strainer
<b>-LS</b>	Less Secondary Strainer
<b>-P</b>	1/2" Threaded Trap Primer Connection (See Z1023)
<b>-S</b>	Secondary Strainer
<b>-T</b>	Square Nickel Bronze Top
<b>-TC</b>	Neo-Loc Test Cap Gasket 2"-4" NL Bottom Outlet Only
<b>-VPS</b>	Vandal-Proof Strainer
<b>-WB</b>	Water Supply Control Box
<b>-1</b>	Less Grate - Receives multiple indirect wastes from either condensate lines, air conditioners or other indirect drainage equipment specifically located in non-traffic areas.
<b>-2</b>	Half Grate - Receives indirect waste as with Suffix -1, but with 1/2 grate opening to easily accept waste from a single direction while providing a finished floor drain top on the opposite side.
<b>-3</b>	Three-Quarter Grate - Receives indirect waste as with Suffix -1, but with 3/4 grate and 1/4 opening to easily accept waste from a single source.
<b>-4</b>	Full Grate with Center Opening - Receives indirect waste as with Suffix -1, but with square center opening to accept waste from multiple directions.
<b>-5</b>	Grate with 4" Diameter x 3-3/4" High Funnel
<b>-6</b>	Grate with 6" Diameter x 6" High Funnel - Receives indirect waste from single pipe using round funnel which is centrally located on grate. Prevents splashing of waste around entire receptor. Can be relocated at job site to meet project requirements.
<b>-7</b>	Grate with 6-3/4" x 3" x 1" High Oval Funnel
<b>-8</b>	Grate with 8-7/8" x 3-5/8" x 3-3/4" High Oval Funnel - Receives indirect waste from a series of pipe discharges using oval funnel which is centrally located on grate. Can be relocated at job site to meet project requirements.
<b>-9</b>	Angle Frame and Grate - Used in food handling facilities incorporating a two-fold purpose. An angle drain provides a sanitary floor drain in an open service area where open half of grate is hidden inside cabinetry to receive an indirect waste discharge. Two-piece construction further enhances the ultimate in sanitation standards.
<b>-11</b>	Vandal-Proof Secured Grate - Prevents removal of grate by unauthorized individuals.
<b>-12</b>	Depressed Aluminum Grate - Specified for areas in restaurants, food markets, taverns, and many non-traffic areas. Grate recess accumulates food particles rather than let them fall into receptor.
<b>-15</b>	Solid Loose Set Cover - Specified when receptor is to be inactive a majority of the time.
<b>-16</b>	Half Solid Loose Set Cover - Same as Suffix -15, but with 1/2 cover open to accept indirect waste.

SUFFIXES	
<b>-17</b>	Three-Quarter Solid Loose Set Cover - Same as Suffix -16, but with 3/4 cover inactive.
<b>-18</b>	Solid Loose Set Cover with Square Center Opening - Same as Suffix -16, but with center opening and balance of cover inactive.
<b>-19</b>	Full Hinged Grate - Specified in light traffic areas where grate removal is prohibited for any length of time.
<b>-23</b>	Aluminum Sediment Bucket - Specified when interception and retention of solids is necessary. Used in food preparation areas.
<b>-25</b>	White Acid Resisting Sediment Bucket - Same as Suffix -23, but with acid resisting finish.
<b>-31</b>	Stainless Mesh Liner for Sediment Bucket - Specified when retention of fine particles is required. Provided with screen having 331 holes per square inch.
<b>-32</b>	Aluminum Dome Strainer
<b>-33</b>	White Acid Resisting Anti-Splash Dome Strainer - Use in areas where harsh chemicals or substances enter receptor.
<b>-34</b>	Nickel Bronze Anti-Splash Dome Strainer



-1 Less Grate



-2 Half Grate



-3 Three-Quarter Grate



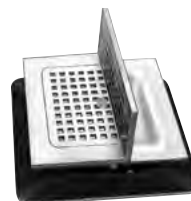
-4 Full Grate with Center Opening



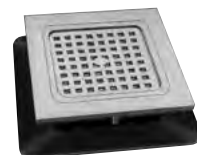
-5, -6 Grate with Round Funnel



-7, -8 Grate with Oval Funnel



-9 Angle Frame and Grate



-12 Depressed Aluminum Grate

# Z1900 12" X 12" A.R.E. SANI-FLOR RECEPTOR WITH 6" SUMP DEPTH

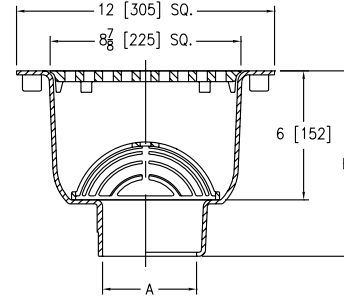


## ENGINEERING SPECIFICATION

Zurn Z1900 Sani-Flor receptor, 12" x 12" x 6" features deep cast iron body, square light-duty grate with 1/2" slotted openings, and white acid resisting porcelain enamel interior and top – complete with white ABS anti-splash interior bottom dome strainer.

## NOTE

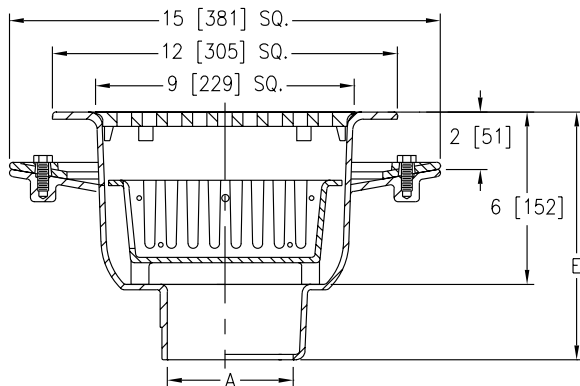
†Add 1/2" to 12" dimension when specifying ZN1900 or ZS1900.



Dimensions in inches [mm]				Approximate Weight lb [kg]	Grate Open Area sq in [cm <sup>2</sup> ]
A Pipe Size/Outlet Type	E Body Height Dimensions		Z		
<b>Inside Caulk (IC)</b>					
3IC, 4IC	8-5/8 [219]	9-1/8 [232]		32 [15]	31 [200]
<b>No-Hub (NH)</b>					
2NH, 3NH, 4NH	8-5/8 [219]	9-1/8 [232]		32 [15]	31 [200]
<b>Neo-Loc (NL)</b>					
2NL, 3NL, 4NL	8 [203]	8-1/2 [216]		32 [15]	31 [200]

PREFIXES	DESCRIPTION	A PIPE SIZE	Z (A.R.E.)	ZN (N.B.)	ZS
Z1900*	Cast Iron Body with A.R.E. Interior and Top	2", 3", 4"	2,110.00	-	-
ZN1900†	Cast Iron Body with White A.R.E. Interior and Top, 12-1/2" Square N.B. Frame and Full Grate with 1/2" Square Openings	2", 3", 4"	-	2,857.00	-
ZS1900†	Cast Iron Body with White A.R.E. Interior and Top, 12-1/2" Square Stainless Steel Frame and Full Grate with 1/2" Openings	2", 3", 4"	-	-	4,330.00

OUTLETS (SPECIFY PIPE SIZE IN INCHES AND TYPE OF OUTLET)					
OUTLET TYPE		PIPE SIZE/OUTLET TYPE			ADD
IC	Inside Caulk	3IC, 4IC	N/C	N/C	N/C
NH	No-Hub	2NH, 3NH, 4NH	N/C	N/C	N/C
NL	Neo-Loc	2NL, 3NL, 4NL	N/C	N/C	N/C



-KC-23 Options Shown

SUFFIXES		ADD		
		Z (A.R.E.)	ZN (N.B.)	ZS
-DX	Dex-O-Tex Flange (ZN Only)	N/A	1,143.00	N/A
-HD	Stainless Steel Frame with Extra-Heavy-Duty Stainless Steel Grate (ZS Only)	N/A	N/A	1,199.00
-HP	Heel-Proof Grate (ZN Only)	N/A	696.00	N/A
-K	Anchor Flange	385.00	385.00	385.00
-KC	Anchor Flange with Seepage Holes and Clamp Collar	580.00	580.00	580.00
-P	1/2" Trap Primer Connection (See Z1023)	194.00	194.00	194.00
Ⓛ -SA	Stabilizer Assembly (See Z1903)	206.00	206.00	206.00
Ⓛ -TC	Neo-Loc Test Cap Gasket (2", 3", 4" NL Bottom Outlet Only)	24.00	24.00	24.00
-VPS	Vandal-Proof Strainer (NH outlet only)	312.00	312.00	312.00
-2	1/2 Grate	N/C	N/C	N/C
-3	3/4 Grate	N/C	N/C	N/C
-4	Full Grate with Center Opening (2" Round for Z and 3-1/32" Square for ZN or ZS)	178.00	178.00	178.00
-6	Grate with 6" Dia. x 6" High Funnel	488.00	626.00	1,555.00
-8	Grate with 8-7/8" x 3-5/8" x 3-3/4" High Oval Funnel	531.00	883.00	2,424.00
-11	Vandal-Proof Secured Grate (ZN and ZS Only)	N/A	79.00	79.00
-15	Solid Loose Set Cover (Z and ZN Only)	116.00	228.00	N/A
-19	Full Hinged Grate (ZN Only)	N/A	351.00	N/A
-23	Aluminum Bucket	318.00	318.00	318.00
-25	White A.R.C. Bucket	597.00	597.00	597.00
-31	Stainless Steel Mesh Liner for Bucket	472.00	472.00	472.00
-32	Aluminum Dome Strainer	N/C	N/C	N/C
-33	White A.R.C. Anti-Splash Bottom Dome Strainer	343.00	343.00	343.00

		DEDUCT		
		Z (A.R.E.)	ZN (N.B.)	ZS
-LD	Less Bottom Dome Strainer	- 61.00	- 61.00	- 61.00
-1	Less Grate	- 228.00	- 489.00	- 1,230.00

BEST SELLERS	LIST PRICE
Z1900-2NH-2	2,110.00
ZN1900-2NH-2	2,857.00
ZN1900-2NH-2-33	3,200.00
Z1900-2NL-2	2,110.00
Z1900-3NH-2	2,110.00
Z1900-3NH-33-KC	3,033.00
ZN1900-3NH-2-32	2,857.00
Z1900-3NL-2	2,110.00
Z1900-3NL-3	2,110.00
ZN1900-3NL	2,857.00
Z1900-4NH-2	2,110.00
ZN1900-4NL	2,857.00

\*Regularly furnished unless otherwise specified.

Items designated as Best Sellers are most specified and are generally in stock for shipment.

Ⓛ This symbol denotes a product that is engineered to reduce installation and rework time.

For additional product information, please visit [www.zurn.com](http://www.zurn.com)

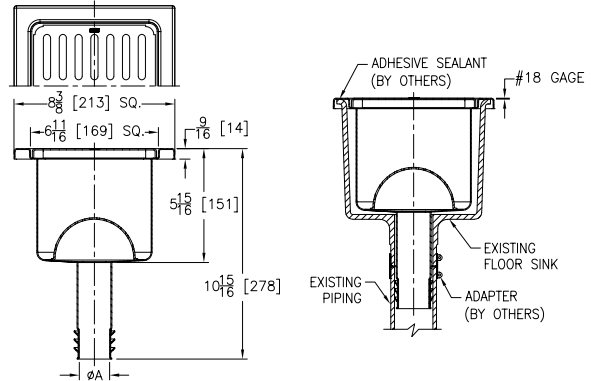
INTRO ROOF DRAINS FLOOR DRAINS T, P, BW VALVES INTERCEPTORS CARRIERS HYDRANTS CLEANOUTS W/HA SS DRAINS FAB SS DRAINS SANI-FLOR TECH INFO

## 🕒 Z1900-RL 12" X 12" X 6" REPLACEMENT FLOOR SINK LINER



### ENGINEERING SPECIFICATION

Zurn Z1900-RL 12" x 12" x 6" deep replacement floor sink liner features 18 gage, all Type 304 (CF8) fabricated stainless steel, internal pipe gasket seal, light-duty, slotted, loose set grate, and perforated removable dome strainer.



Dimensions in inches [mm]	Approximate Weight lb [kg]	Grate Open Area sq in [cm <sup>2</sup> ]
A Pipe Size		
Gasket Seal		
2 [51], 3 [76], 4 [102]	6 [3]	21.1 [136]

PREFIXES	DESCRIPTION	A PIPE SIZE	LIST PRICE
Z1900*	All Type 304 (CF8) Fabricated Stainless Steel	2", 3" 4"	1,984.00
OUTLETS (SPECIFY PIPE SIZE IN INCHES AND TYPE OF OUTLET)			
OUTLET TYPE	PIPE SIZE/OUTLET TYPE		ADD
RL	Gasket Seal	RL2, RL3, RL4	N/C
SUFFIXES			
			ADD
-2	1/2 Grate		N/C
-3	3/4 Grate		N/C
-Y	Sediment Bucket		223.00
			DEDUCT
-1	Less Grate		- 150.00
BEST SELLERS			LIST PRICE
Z1900-RL2			1,984.00
Z1900-RL2-2			1,984.00
Z1900-RL3			1,984.00
Z1900-RL3-2			1,984.00
Z1900-RL4-2			1,984.00

# Z1901 12" X 12" A.R.E. SANI-FLOR RECEPTOR WITH 8" SUMP DEPTH

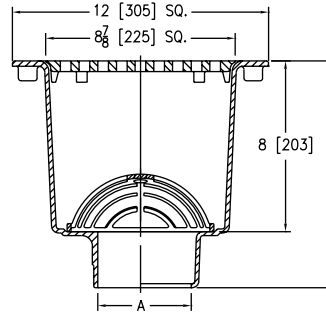


## ENGINEERING SPECIFICATION

Zurn Z1901 Sani-Flor receptor features 12" x 12" x 8" deep cast iron body, square, light-duty grate with 1/2" slotted openings, and white acid resisting porcelain enamel interior and top – complete with white ABS anti-splash interior bottom dome strainer.

## NOTE

†Add 1/2" to 12" dimension when specifying ZN1901 or ZS1901.



Dimensions in inches [mm]				
A Pipe Size/ Outlet Type	E Body Height Dimensions		Approximate Weight lb [kg]	Grate Open Area sq in [cm <sup>2</sup> ]
	Z	ZN/ZS		
<b>Inside Caulk (IC)</b>				
3IC, 4IC	10-5/8 [270]	11-1/8 [283]	34 [15]	31 [200]
<b>No-Hub (NH)</b>				
2NH, 3NH, 4NH	10-5/8 [270]	11-1/8 [283]	34 [15]	31 [200]
<b>Neo-Loc (NL)</b>				
2NL, 3NL, 4NL	10 [254]	10-1/2 [267]	34 [15]	31 [200]

PREFIXES	DESCRIPTION	A PIPE SIZE	Z (A.R.E.)	ZN (N.B.)	ZS
Z1901*	Cast Iron Body with White A.R.E. Interior and Top	2", 3", 4"	2,221.00	-	-
ZN1901†	Cast Iron Body with White A.R.E. Interior and Top, 12-1/2" Square N.B. Frame and Full Grate with 1/2" Square Openings	2", 3", 4"	-	2,966.00	-
ZS1901†	Cast Iron Body with White A.R.E. Interior and Top, 12-1/2" Square Stainless Steel Frame and Full Grate with 1/2" Square Openings	2", 3", 4"	-	-	4,436.00

OUTLETS (SPECIFY PIPE SIZE IN INCHES AND TYPE OF OUTLET)					
OUTLET TYPE	PIPE SIZE/ OUTLET TYPE				ADD
IC	Inside Caulk	3IC, 4IC	N/C	N/C	N/C
NH	No-Hub	2NH, 3NH, 4NH	N/C	N/C	N/C
NL	Neo-Loc	2NL, 3NL, 4NL	N/C	N/C	N/C

SUFFIXES		Z (A.R.E.)	ZN (N.B.)	ZS
-DX	Dex-O-Tex Flange (ZN Only)	N/A	1,143.00	N/A
-HD	Stainless Steel Frame with Extra-Heavy-Duty Stainless Steel Grate (ZS Only)	N/A	N/A	1,199.00
-HP	Heel-Proof Grate (ZN Only)	N/A	696.00	N/A
-K	Anchor Flange	385.00	385.00	385.00
-KC	Anchor Flange with Seepage Holes and Clamp Collar	580.00	580.00	580.00
-P	1/2" Trap Primer Connection (See Z1023)	194.00	194.00	194.00
Ⓛ-TC	Neo-Loc Test Cap Gasket (2", 3", 4" NL Bottom Outlet Only)	24.00	24.00	24.00
-VPS	Vandal-Proof Strainer (NH outlet only)	312.00	312.00	312.00
-2	1/2 Grate	N/C	N/C	N/C
-3	3/4 Grate	N/C	N/C	N/C
-4	Full Grate with Center Opening (2" Round for Z and 3-1/32" Square for ZN or ZS)	178.00	178.00	178.00
-6	Grate with 6" Dia. x 6" High Funnel	488.00	626.00	1,555.00
-8	Grate with 8-7/8" x 3-5/8" x 3-3/4" High Oval Funnel	531.00	883.00	2,424.00
-11	Vandal-Proof Secured Grate (ZN and ZS Only)	N/A	79.00	79.00
-15	Solid Loose Set Cover (Z and ZN Only)	116.00	228.00	N/A
-19	Full Hinged Grate (ZN Only)	N/A	351.00	N/A
-23	Aluminum Bucket	318.00	318.00	318.00
-25	White A.R.C. Bucket	597.00	597.00	597.00
-31	Stainless Steel Mesh Liner for Bucket	472.00	472.00	472.00
-32	Aluminum Dome Strainer	N/C	N/C	N/C
-33	White A.R.C. Anti-Splash Bottom Dome Strainer	343.00	343.00	343.00

		DEDUCT		
		Z (A.R.E.)	ZN (N.B.)	ZS
-LD	Less Bottom Dome Strainer	- 61.00	- 61.00	- 61.00
-1	Less Grate	- 228.00	- 489.00	- 1,230.00

BEST SELLERS	LIST PRICE
Z1901-2NH-2	2,221.00
Z1901-2NH-2-32	2,221.00
Z1901-3NH	2,221.00
Z1901-3NH-2	2,221.00
Z1901-3NH-2-25	2,818.00
ZN1901-3NH-2	2,966.00
ZN1901-3NH-2-33-KC	3,889.00
Z1901-3NL	2,221.00
Z1901-3NL-2-32	2,221.00
ZN1901-3NL-2	2,966.00
Z1901-4NH-2	2,221.00
ZN1901-4NH-2	2,966.00
Z1901-4NL	2,221.00
Z1901-4NL-2	2,221.00
ZN1901-4NL-2	2,966.00

\*Regularly furnished unless otherwise specified.

Items designated as Best Sellers are most specified and are generally in stock for shipment.

Ⓛ This symbol denotes a product that is engineered to reduce installation and rework time.

For additional product information, please visit [www.zurn.com](http://www.zurn.com)

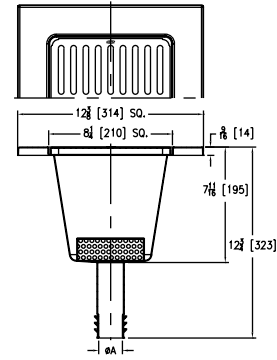
INTRO  
ROOF DRAINS  
FLOOR DRAINS  
I, P, BW VALVES  
INTERCEPTORS  
CARRIERS  
HYDRANTS  
CLEANOUTS  
W/HA  
SS DRAINS  
FAB SS DRAINS  
SANI-FLOR  
TECH INFO

## 🕒 Z1901-RL 12" X 12" X 8" REPLACEMENT FLOOR SINK LINER



### ENGINEERING SPECIFICATION

Zurn Z1901-RL 12" x 12" x 8" deep replacement floor sink liner features 18 gage, all Type 304 (CF8) fabricated stainless steel, internal pipe gasket seal, light-duty, slotted, loose set grate, and perforated removable dome strainer.



A Pipe Size inches [mm]	Approximate Weight lb [kg]	Grate Open Area sq in [cm <sup>2</sup> ]
<b>Gasket Seal</b>		
2 [51], 3 [76], 4 [102]	7 [3]	21.7 [140]

PREFIXES	DESCRIPTION	A PIPE SIZE	LIST PRICE
<b>Z1901*</b>	All Type 304 (CF8) Fabricated Stainless Steel	2", 3", 4"	<b>2,131.00</b>
OUTLETS (SPECIFY PIPE SIZE IN INCHES AND TYPE OF OUTLET)			
OUTLET TYPE	PIPE SIZE/OUTLET TYPE		ADD
<b>RL</b>	Gasket Seal	RL2, RL3, RL4	N/C
SUFFIXES			
			ADD
<b>-2</b>	1/2 Grate		N/C
<b>-3</b>	3/4 Grate		N/C
<b>-Y</b>	Sediment Bucket		<b>223.00</b>
			DEDUCT
<b>-1</b>	Less Grate		<b>- 150.00</b>
SEE LEGACY ADDENDUM ON PAGE 369 FOR MORE INFORMATION			

# Z1902 12" X 12" A.R.E. SANI-FLOR RECEPTOR WITH 10" SUMP DEPTH

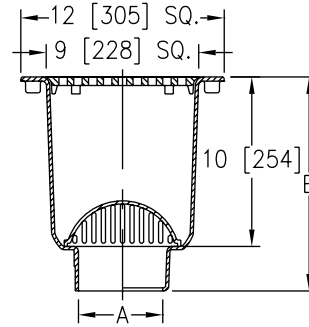


## ENGINEERING SPECIFICATION

Zurn Z1902 Sani-Flor receptor features 12" x 12" x 10" deep cast iron body, square, light-duty grate with 1/2" slotted openings, and white acid resisting porcelain enamel interior and top – complete with white ABS anti-splash interior bottom dome strainer.

## NOTE

†Add 1/2" to 12" dimension when specifying ZN1902 or ZS1902.



Dimensions in inches [mm]			Approximate Weight lb [kg]	Grate Open Area sq in [cm <sup>2</sup> ]
A Pipe Size/ Outlet Type	E Body Height Dimensions			
	Z	ZN/ZS		
<b>Inside Caulk (IC)</b>				
3IC, 4IC	12-5/8 [321]	13-1/8 [333]	36 [16]	31 [200]
<b>No-Hub (NH)</b>				
2NH, 3NH, 4NH	12-5/8 [321]	13-1/8 [333]	36 [16]	31 [200]
<b>Neo-Loc (NL)</b>				
2NL, 3NL, 4NL	12 [305]	12-1/2 [318]	36 [16]	31 [200]

PREFIXES	DESCRIPTION	A PIPE SIZE	Z (A.R.E.)	ZN (N.B.)	ZS
Z1902*	Cast Iron Body with White A.R.E. Interior and Top	2", 3", 4"	2,347.00	-	-
ZN1902†	Cast Iron Body with White A.R.E. Interior and Top, 12-1/2" Square N.B. Frame and Full Grate with 1/2" Square Openings	2", 3", 4"	-	3,090.00	-
ZS1902†	Cast Iron Body with White A.R.E. Interior and Top, 12-1/2" Square Stainless Steel Frame and Full Grate with 1/2" Square Openings	2", 3", 4"	-	-	4,562.00

OUTLETS (SPECIFY PIPE SIZE IN INCHES AND TYPE OF OUTLET)					
OUTLET TYPE		PIPE SIZE/ OUTLET TYPE			ADD
IC	Inside Caulk	3IC, 4IC	N/C	N/C	N/C
NH	No-Hub	2NH, 3NH, 4NH	N/C	N/C	N/C
NL	Neo-Loc	2NL, 3NL, 4NL	N/C	N/C	N/C

SUFFIXES		Z (A.R.E.)	ZN (N.B.)	ZS	ADD
-DX	Dex-O-Tex Flange (ZN Only)	N/A	1,143.00	N/A	N/A
-HD	Stainless Steel Frame with Extra-Heavy-Duty Stainless Steel Grate (ZS Only)	N/A	N/A	1,199.00	
-HP	Heel-Proof Grate (ZN Only)	N/A	696.00	N/A	
-K	Anchor Flange	385.00	385.00	385.00	
-KC	Anchor Flange with Seepage Holes and Clamp Collar	580.00	580.00	580.00	
-P	1/2" Trap Primer Connection (See Z1023)	194.00	194.00	194.00	
-SA	Stabilizer Assembly (See Z1903)	206.00	206.00	206.00	
① -TC	Neo-Loc Test Cap Gasket (2", 3", 4" NL Bottom Outlet Only)	24.00	24.00	24.00	
-VPS	Vandal-Proof Strainer (NH outlet only)	312.00	312.00	312.00	
-2	1/2 Grate	N/C	N/C	N/C	
-3	3/4 Grate	N/C	N/C	N/C	
-4	Full Grate with Center Opening (2" Round for Z and 3-1/32" Square for ZN or ZS)	178.00	178.00	178.00	
-6	Grate with 6" Dia. x 6" High Funnel	488.00	626.00	1,555.00	
-8	Grate with 8-7/8" x 3-5/8" x 3-3/4" High Oval Funnel	531.00	883.00	2,424.00	
-11	Vandal-Proof Secured Grate (ZN and ZS Only)	N/A	79.00	79.00	
-15	Solid Loose Set Cover (Z and ZN Only)	116.00	228.00	N/A	
-19	Full Hinged Grate (ZN Only)	N/A	351.00	N/A	
-23	Aluminum Bucket	318.00	318.00	318.00	
-25	White A.R.C. Bucket	597.00	597.00	597.00	
-31	Stainless Steel Mesh Liner for Bucket	472.00	472.00	472.00	
-32	Aluminum Dome Strainer	N/C	N/C	N/C	
-33	White A.R.C. Anti-Splash Bottom Dome Strainer	343.00	343.00	343.00	

		Z (A.R.E.)	ZN (N.B.)	ZS	DEDUCT
-LD	Less Bottom Dome Strainer	- 61.00	- 61.00	- 61.00	
-1	Less Grate	- 228.00	- 489.00	- 1,230.00	

BEST SELLERS		LIST PRICE
Z1902-2NH-2		2,347.00
Z1902-3NH		2,347.00
Z1902-3NH-2		2,347.00
ZN1902-3NH-2-23-KC		3,988.00
Z1902-3NL		2,347.00
Z1902-3NL-2		2,347.00
Z1902-4NH-2		2,347.00
Z1902-4NH-K		2,732.00
ZN1902-4NH-2		3,090.00
ZN1902-4NH-KC		3,670.00
Z1902-4NL		2,347.00
Z1902-4NL-2		2,347.00

\*Regularly furnished unless otherwise specified.

Items designated as Best Sellers are most specified and are generally in stock for shipment.

① This symbol denotes a product that is engineered to reduce installation and rework time.

For additional product information, please visit [www.zurn.com](http://www.zurn.com)

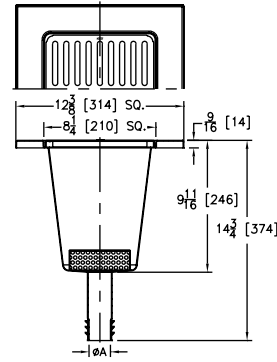
INTRO ROOF DRAINS FLOOR DRAINS T, P, BW VALVES INTERCEPTORS CARRIERS HYDRANTS CLEANOUTS W/HA SS DRAINS FAB SS DRAINS SANI-FLOR TECH INFO

## 🕒 Z1902-RL 12" X 12" X 10" REPLACEMENT FLOOR SINK LINER



### ENGINEERING SPECIFICATION

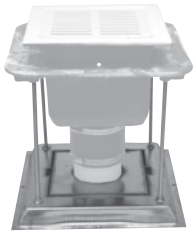
Zurn Z1902-RL 12" x 12" x 10" deep replacement floor sink liner features 18 gage, all Type 304 (CF8) fabricated stainless steel, internal pipe gasket seal, light-duty, slotted, loose set grate, and perforated removable dome strainer.



A Pipe Size inches [mm]	Approximate Weight lb [kg]	Grate Open Area sq in [cm <sup>2</sup> ]
<b>Gasket Seal</b>		
2 [51], 3 [76], 4 [102]	8 [4]	21.7 [140]

PREFIXES	DESCRIPTION	A PIPE SIZE	LIST PRICE
Z1902*	All Type 304 (CF8) Fabricated Stainless Steel	2", 3", 4"	2,290.00
OUTLETS (SPECIFY PIPE SIZE IN INCHES AND TYPE OF OUTLET)			
OUTLET TYPE	PIPE SIZE/OUTLET TYPE		ADD
RL	Gasket Seal	RL2, RL3, RL4	N/C
SUFFIXES			
ADD			
-2	1/2 Grate		N/C
-3	3/4 Grate		N/C
-Y	Sediment Bucket		223.00
DEDUCT			
-1	Less Grate		- 150.00
SEE LEGACY ADDENDUM ON PAGE 369 FOR MORE INFORMATION			

## 🕒 Z1903 SANI-FLOR RECEPTOR INSTALLATION STABILIZER



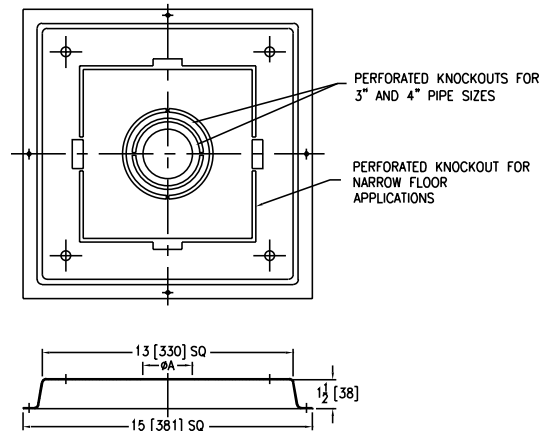
Patented

### ENGINEERING SPECIFICATION

Zurn Z1903 Sani-Flor receptor installation stabilizer features a 16-gage, galvanized steel plate with variable pipe opening, four support stud holes, and four nail holes. Comes complete with hardware bag containing four 3/8"-16 x 12" long studs, eight 3/8"-16 flange locknuts and coverplate with hole for standard 2" pipe size and perforated knockouts for 3" and 4" pipe connections. (For use with Z1900, Z1901, and Z1902 Sani-Flor receptors.)

### NOTE

Stabilizer plate may be used without coverplate for narrow floor applications where the drain body will be recessed into stabilizer plate.



Dimensions in inches [mm]	
Pipe Size	A Diameter
2 [51]	2-9/16 [65]
3 [76]	3-11/16 [94]
4 [102]	4-11/16 [119]

PREFIXES	DESCRIPTION	PIPE SIZE	LIST PRICE
Z1903*	Sani-Flor Receptor Installation Stabilizer	2", 3" 4"	206.00



# Z1910 8" X 8" A.R.E. SANI-FLOR RECEPTOR WITH 6" SUMP DEPTH

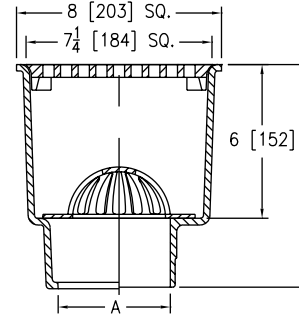


## ENGINEERING SPECIFICATION

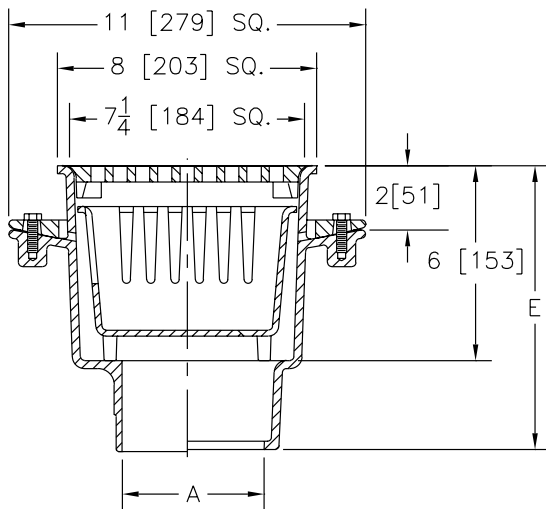
Zurn Z1910 Sani-Flor receptor features 8" x 8" x 6" deep cast iron body, square medium-duty grate with 7/16" slotted openings, and white acid resisting porcelain enamel interior and top - complete with white ABS anti-splash interior bottom dome strainer.

### NOTE

\*Add 1/2" to 8" dimension when specifying ZN1910.



Dimensions in inches [mm]				Approximate Weight lb [kg]	Grate Open Area sq in [cm <sup>2</sup> ]
A Pipe Size/Outlet Type	E Body Height Dimensions		Z		
<b>Inside Caulk</b>					
3IC, 4IC	8-3/4 [222]	9-1/4 [235]	25 [11]	19 [123]	
<b>No-Hub (NH)</b>					
2NH, 3NH, 4NH	8-5/8 [219]	9-1/8 [232]	25 [11]	19 [123]	
<b>Neo-Loc (NL)</b>					
2NL, 3NL, 4NL	8 [203]	8-1/2 [216]	25 [11]	19 [123]	



-KC-23 Options Shown

PREFIXES	DESCRIPTION	A PIPE SIZE	Z (A.R.E.)	ZN (N.B.)
Z1910*	Cast Iron Body with White A.R.E. Interior and Top	2", 3" 4"	1,576.00	-
ZN1910†	Cast Iron Body with White A.R.E. Interior and Top, 8-9/16" Square N.B. Frame, and Full Grate with 5/16" Square Openings	2", 3" 4"	-	1,999.00

OUTLETS (SPECIFY PIPE SIZE IN INCHES AND TYPE OF OUTLET)				
OUTLET TYPE		PIPE SIZE/OUTLET TYPE	Z (A.R.E.)	ZN (N.B.)
IC	Inside Caulk	3IC, 4IC	N/C	N/C
NH	No-Hub	2NH, 3NH, 4NH	N/C	N/C
NL	Neo-Loc	2NL, 3NL, 4NL	N/C	N/C

SUFFIXES				
			Z (A.R.E.)	ZN (N.B.)
-DX	Dex-O-Tex Flange (ZN Only)		N/A	972.00
-K	Anchor Flange		184.00	184.00
-KC	Anchor Flange with Seepage Holes and Clamp Collar		339.00	339.00
-P	1/2" Trap Primer Connection (See Z1023)		194.00	194.00
Ⓞ -TC	Neo-Loc Test Cap Gasket (2", 3", 4" NL Bottom Outlet Only)		24.00	24.00
-2	1/2 Grate		N/C	N/C
-3	3/4 Grate		N/C	N/C
-4	Full Grate with Square Center Opening		178.00	178.00
-6	Grate with 6" Dia. x 6" High Funnel		488.00	626.00
-8	Grate with 8-7/8" x 3-5/8" x 3-3/4" High Oval Funnel		531.00	876.00
-11	Vandal-Proof Secured Grate (ZN only)		N/A	76.00
-15	Solid Loose Set Cover		98.00	171.00
-19	Full Hinged Grate (ZN only)		N/A	351.00
-23	Aluminum Bucket		200.00	200.00
-25	White A.R.C. Bucket		433.00	433.00
-31	Stainless Steel Mesh Liner for Bucket		472.00	472.00
-32	Aluminum Dome Strainer		N/C	N/C
-33	White A.R.C. Anti-Splash Bottom Dome Strainer		318.00	318.00

DEDUCT				
			Z (A.R.E.)	ZN (N.B.)
-LD	Less Bottom Dome Strainer		- 61.00	- 61.00
-1	Less Grate		- 194.00	- 303.00

BEST SELLERS	LIST PRICE
Z1910-2NH	1,576.00
Z1910-2NH-2	1,576.00
Z1910-3NH-2	1,576.00
Z1910-3NH-2-25	2,009.00
ZN1910-3NH-2	1,999.00
ZN1910-3NH-2-23	2,199.00
Z1910-3NL	1,576.00
Z1910-3NL-2	1,576.00
ZN1910-3NL-2-32	1,999.00
Z1910-4NH-2	1,576.00
Z1910-4NL-2	1,576.00

\*Regularly furnished unless otherwise specified.

Items designated as Best Sellers are most specified and are generally in stock for shipment.

Ⓞ This symbol denotes a product that is engineered to reduce installation and rework time.

For additional product information, please visit [www.zurn.com](http://www.zurn.com)

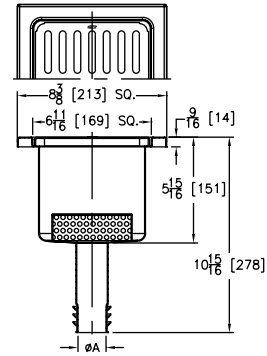
INTRO ROOF DRAINS FLOOR DRAINS T, P, BW VALVES INTERCEPTORS CARRIERS HYDRANTS CLEANOUTS W/HA SS DRAINS FAB SS DRAINS SANI-FLOR TECH INFO

## 🕒 Z1910-RL 8" X 8" X 6" REPLACEMENT FLOOR SINK LINER



### ENGINEERING SPECIFICATION

Zurn Z1910-RL 8" x 8" x 6" deep replacement floor sink liner features 18 gage, all Type 304 (CF8) fabricated stainless steel, internal pipe gasket seal, light-duty, slotted, loose set grate, and perforated removable dome strainer.



A Pipe Size inches [mm]	Approximate Weight lb [kg]	Grate Open Area sq in [cm <sup>2</sup> ]
Gasket Seal		
2 [51], 3 [76], 4 [102]	5 [2]	12.2 [79]

PREFIXES	DESCRIPTION	A PIPE SIZE	LIST PRICE
Z1910*	All Type 304 (CF8) Fabricated Stainless Steel	2", 3", 4"	1,645.00
OUTLETS (SPECIFY PIPE SIZE IN INCHES AND TYPE OF OUTLET)			
OUTLET TYPE		PIPE SIZE/OUTLET TYPE	ADD
RL	Gasket Seal	RL2, RL3, RL4	N/C
SUFFIXES			
			ADD
-2	1/2 Grate		N/C
-3	3/4 Grate		N/C
-Y	Sediment Bucket		223.00
DEDUCT			
-1	Less Grate		- 150.00
SEE LEGACY ADDENDUM ON PAGE 369 FOR MORE INFORMATION			

# Z1920 16" X 16" A.R.C. SANI-FLOR RECEPTOR WITH 7" SUMP DEPTH

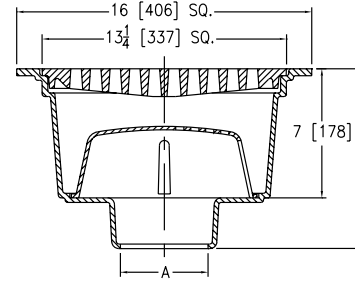


## ENGINEERING SPECIFICATION

Zurn Z1920 Sani-Flor receptor features 16" x 16" x 7" deep cast iron body, square, slotted heavy-duty grate, and white acid resisting epoxy coated interior and top – complete with aluminum anti-splash interior bottom dome strainer.

## NOTE

†Add 3/4" to 16" dimension when specifying ZN1920.



Dimensions in inches [mm]			Approximate Weight lb [kg]	Grate Open Area sq in [cm <sup>2</sup> ]
A Pipe Size/Outlet Type	E Body Height Dimensions			
	Z	ZN		
<b>Inside Caulk (IC)</b>				
2IC, 3IC, 4IC, 6IC	9-3/4 [248]	9-15/16 [252]	81 [37]	54 [348]
8IC	10-1/4 [260]	10-7/16 [265]		
<b>Neo-Loc (NL)</b>				
2NL, 3NL, 4NL	9 [229]	9-3/16 [233]	81 [37]	54 [348]

PREFIXES	DESCRIPTION	A PIPE SIZE	Z (A.R.C.)	ZN (N.B.)
Z1920*	Cast Iron Body with White A.R.C. Interior and Top	2", 3" 4", 6", 8"	4,314.00	-
ZN1920†	Cast Iron Body with White A.R.C. Interior and Top, 16-3/4" Square N.B. Frame, and Full Slotted Grate	2", 3" 4", 6", 8"	-	5,529.00
<b>OUTLETS (SPECIFY PIPE SIZE IN INCHES AND TYPE OF OUTLET)</b>				
OUTLET TYPE	PIPE SIZE/OUTLET TYPE		Z (A.R.C.)	ZN (N.B.)
IC	Inside Caulk	2IC, 3IC, 4IC, 6IC, 8IC	N/C	N/C
NL	Neo-Loc	2NL, 3NL, 4NL	N/C	N/C
			ADD	
SUFFIXES			Z (A.R.C.)	ZN (N.B.)
-K	Anchor Flange		368.00	368.00
-KC	Anchor Flange with Seepage Holes and Clamp Collar		928.00	928.00
-P	1/2" Trap Primer Connection		194.00	194.00
Ⓢ -TC	Neo-Loc Test Cap Gasket (2", 3", 4" NL Bottom Outlet Only)		24.00	24.00
-2	1/2 Grate		N/C	N/C
-3	3/4 Grate		N/C	N/C
-4	Full Grate with Square Center Opening		178.00	178.00
-6	Grate with 6" Dia. x 6" High Funnel		488.00	626.00
-8	Grate with 8-7/8" x 3-5/8" x 3-3/4" High Oval Funnel		531.00	876.00
-11	Vandal-Proof Secured Grate		147.00	147.00
-15	Solid Loose Set Cover		150.00	615.00
-23	Aluminum Bucket		827.00	827.00
-25	White A.R.C. Bucket		2,327.00	2,327.00
-31	Stainless Steel Mesh Liner for Bucket		939.00	939.00
-33	White A.R.C. Anti-Splash Bottom Dome Strainer		318.00	318.00
			DEDUCT	
			Z (A.R.C.)	ZN (N.B.)
-LD	Less Bottom Dome Strainer		- 61.00	- 61.00
-1	Less Grate		- 380.00	- 1,033.00
BEST SELLERS			LIST PRICE	
Z1920-3NL			4,314.00	
Z1920-3NL-P			4,508.00	
Z1920-4NL			4,314.00	
Z1920-4NL-2			4,314.00	
Z1920-4NL-23			5,141.00	
ZN1920-4NL-2-23			6,356.00	

\*Regularly furnished unless otherwise specified.

Items designated as Best Sellers are most specified and are generally in stock for shipment.

Ⓢ This symbol denotes a product that is engineered to reduce installation and rework time.

For additional product information, please visit [www.zurn.com](http://www.zurn.com)

# Z1926 16" X 16" A.R.C. SANI-FLOR RECEPTOR WITH 12" SUMP DEPTH

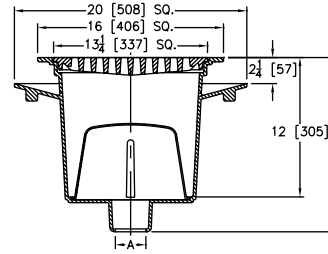


## ENGINEERING SPECIFICATION

Zurn Z1926 Sani-Flor receptor features 16" x 16" x 12" deep cast iron body, seepage flange, square, heavy-duty grate with 9/16" slotted openings, and white acid resisting epoxy coated interior and top – complete with aluminum anti-splash interior bottom dome strainer.

## NOTE

\*Add 3/4" to 16" dimension when specifying ZN1926.



Dimensions in inches [mm]				
A Pipe Size/ Outlet Type	E Body Height Dimensions		Approximate Weight lb [kg]	Grate Open Area sq in [cm <sup>2</sup> ]
	Z	ZN		
<b>Inside Caulk (IC)</b>				
3IC, 4IC, 6IC	15 [381]	15-3/16 [386]	150 [68]	54 [348]
<b>No-Hub (NH)</b>				
2NH, 3NH, 4NH, 6NH, 8NH	15 [381]	15-3/16 [386]	150 [68]	54 [348]
<b>Neo-Loc (NL)</b>				
2NL, 3NL, 4NL	14-1/4 [362]	14-7/16 [367]	150 [68]	54 [348]

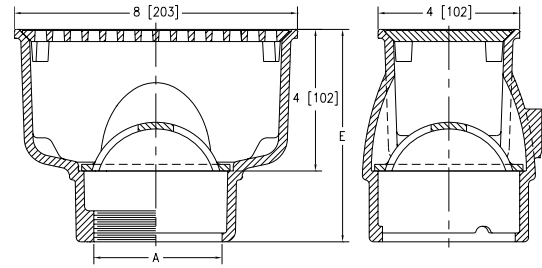
PREFIXES	DESCRIPTION	A PIPE SIZE	Z (A.R.C.)	ZN (N.B.)
Z1926*	Cast Iron Body with White A.R.C. Interior and Top	2", 3" 4", 6", 8"	4,675.00	-
ZN1926†	Cast Iron Body with White A.R.C. Interior and Top, 16-3/4" Square N.B. Frame, and Full Slotted Grate	2", 3" 4", 6", 8"	-	5,895.00
<b>OUTLETS (SPECIFY PIPE SIZE IN INCHES AND TYPE OF OUTLET)</b>				
<b>OUTLET TYPE</b>		<b>PIPE SIZE/OUTLET TYPE</b>	<b>ADD</b>	
IC	Inside Caulk	3IC, 4IC, 6IC	N/C	N/C
NH	No-Hub	2NH, 3NH, 4NH, 6NH, 8NH	N/C	N/C
NL	Neo-Loc	2NL, 3NL, 4NL	N/C	N/C
<b>SUFFIXES</b>			<b>Z (A.R.C.)</b>	<b>ZN (N.B.)</b>
-C	Clamp Collar		561.00	561.00
-P	1/2" Trap Primer Connection		194.00	194.00
Ⓞ -TC	Neo-Loc Test Cap Gasket (2", 3", 4" NL Bottom Outlet Only)		24.00	24.00
-2	1/2 Grate		N/C	N/C
-3	3/4 Grate		N/C	N/C
-4	Full Grate with Square Center Opening		178.00	178.00
-6	Grate with 6" Dia. x 6" High Funnel		488.00	626.00
-8	Grate with 8-7/8" x 3-5/8" x 3-3/4" High Oval Funnel		531.00	876.00
-11	Vandal-Proof Secured Grate		147.00	147.00
-15	Solid Loose Set Cover		150.00	615.00
-23	Aluminum Bucket		827.00	827.00
-25	White A.R.C. Bucket		2,327.00	2,327.00
-31	Stainless Steel Mesh Liner for Bucket		939.00	939.00
-33	White A.R.C. Anti-Splash Bottom Dome Strainer		318.00	318.00
			<b>DEDUCT</b>	
			<b>Z (A.R.C.)</b>	<b>ZN (N.B.)</b>
-LD	Less Bottom Dome Strainer		- 61.00	- 61.00
-1	Less Grate		- 380.00	- 1,033.00
<b>BEST SELLERS</b>			<b>LIST PRICE</b>	
Z1926-3NL			4,675.00	
Z1926-4IC-2-23-31			6,441.00	
Z1926-4NH			4,675.00	
Z1926-4NH-2			4,675.00	
Z1926-4NH-2-C			5,236.00	
Z1926-4NH-C			5,236.00	
ZN1926-4NH-2			5,895.00	
Z1926-4NL			4,675.00	
Z1926-6NH			4,675.00	

# Z1930 8" X 4" A.R.C. SANI-FLOR RECEPTOR WITH 4" SUMP DEPTH

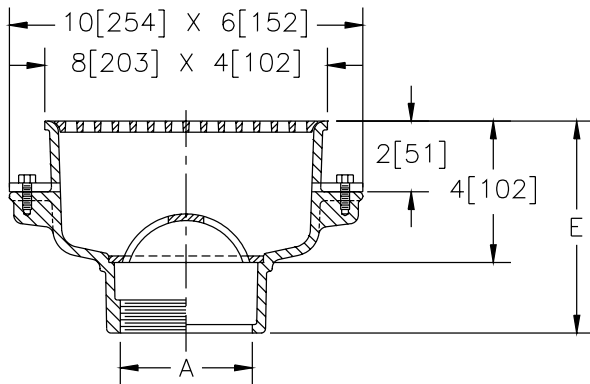


## ENGINEERING SPECIFICATION

Zurn Z1930 Sani-Flor receptor features 8" x 4" x 4" deep cast iron body and rectangular, square hole, light-duty grate with white acid resisting epoxy coated interior and top - complete with white ABS anti-splash interior bottom dome strainer.



Dimensions in inches [mm]				Approximate Weight lb [kg]	Grate Open Area sq in [cm <sup>2</sup> ]
A Pipe Size/ Outlet Type	E Body Height Dimensions				
	Z	ZN			
<b>Inside Caulk (IC)</b>					
3IC	6 [152]	6-3/8 [162]	11 [5]	7.5 [48]	
<b>Threaded (IP)</b>					
2IP, 3IP	6 [152]	6-3/8 [162]	11 [5]	7.5 [48]	
<b>Neo-Loc (NL)</b>					
2NL, 3NL	5-13/16 [148]	6-3/16 [157]	11 [5]	7.5 [48]	



-KC Option Shown

**Z1930-KC** Sani-Flor Receptor, 8" x 4" x 4" deep cast iron body and rectangular square hole light-duty grate with white acid resisting epoxy coated interior and top with seepage flange with seepage holes and clamp collar (-KC).

PREFIXES	DESCRIPTION	A PIPE SIZE	Z (A.R.C.)	ZN (N.B.)
<b>Z1930*</b>	Cast Iron Body with White A.R.C. Interior and Top	2", 3"	<b>1,625.00</b>	-
<b>ZN1930</b>	Cast Iron Body with White A.R.C. Interior and Top, 8-3/4" x 4-3/4" N.B. Frame, and Full Grate with 5/16" Square Openings	2", 3"	-	<b>1,949.00</b>
<b>OUTLETS (SPECIFY PIPE SIZE IN INCHES AND TYPE OF OUTLET)</b>				
OUTLET TYPE	PIPE SIZE/ OUTLET TYPE			ADD
IC	Inside Caulk	3IC	N/C	N/C
IP	Threaded	2IP, 3IP	N/C	N/C
NL	Neo-Loc	2NL, 3NL	N/C	N/C
				ADD
SUFFIXES			Z (A.R.C.)	ZN (N.B.)
-K	Anchor Flange		194.00	194.00
-KC	Anchor Flange with Seepage Holes and Clamp Collar		380.00	380.00
-P	1/2" Trap Primer Connection		194.00	194.00
-S	Secondary Strainer		N/C	N/C
① -TC	Neo-Loc Test Cap Gasket (2", 3" NL Bottom Outlet Only)		24.00	24.00
-2	1/2 Grate		N/C	N/C
-3	3/4 Grate		N/C	N/C
-4	Full Grate with Square Center Opening		178.00	178.00
-6	Grate with 6" Dia. x 6" High Funnel		488.00	626.00
-8	Grate with 8-7/8" x 3-5/8" x 3-3/4" High Oval Funnel		531.00	876.00
-11	Vandal-Proof Secured Grate (ZN only)		N/A	79.00
-15	Solid Loose Set Cover (ZN only)		N/A	171.00
-23	Aluminum Bucket		194.00	194.00
-25	White A.R.C. Bucket		472.00	472.00
-31	Stainless Steel Mesh Liner for Bucket		472.00	472.00
-32	Aluminum Dome Strainer		N/C	N/C
-33	White A.R.C. Anti-Splash Bottom Dome Strainer		318.00	318.00
				DEDUCT
			Z (A.R.C.)	ZN (N.B.)
-LD	Less Bottom Dome Strainer		- 61.00	- 61.00
-1	Less Grate		- 150.00	- 303.00

\*Regularly furnished unless otherwise specified.

Items designated as Best Sellers are most specified and are generally in stock for shipment.

① This symbol denotes a product that is engineered to reduce installation and rework time.

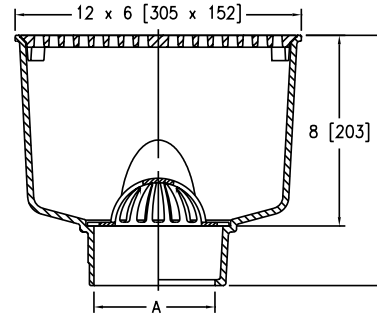
For additional product information, please visit [www.zurn.com](http://www.zurn.com)

# Z1940 12" X 6" A.R.C. SANI-FLOR RECEPTOR WITH 8" SUMP DEPTH

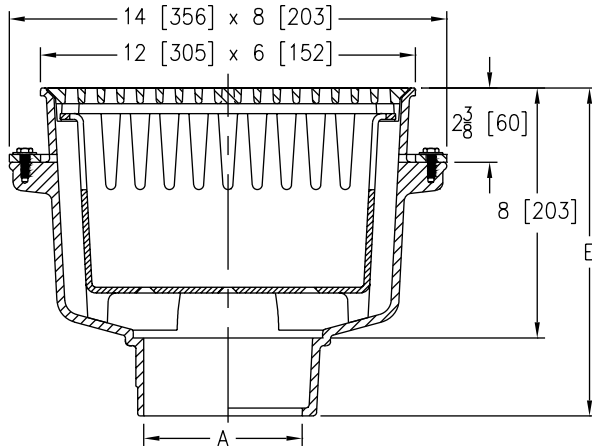


## ENGINEERING SPECIFICATION

Zurn Z1940 Sani-Flor receptor features 12" x 6" x 8" deep cast iron body and rectangular, square hole, light-duty grate with white acid resisting epoxy coated interior and top – complete with white ABS anti-splash interior bottom dome strainer.



Dimensions in inches [mm]			Approximate Weight lb [kg]	Grate Open Area sq in [cm <sup>2</sup> ]
A Pipe Size/Outlet Type	E Body Height Dimensions			
	Z	ZN		
<b>Inside Caulk (IC)</b>				
2IC, 3IC, 4IC	10-1/2 [267]	10-7/8 [276]	28 [13]	17 [110]
<b>No-Hub (NH)</b>				
2NH, 3NH, 4NH	10-1/2 [267]	10-7/8 [276]	28 [13]	17 [110]
<b>Neo-Loc (NL)</b>				
2NL, 3NL, 4NL	10 [254]	10-3/8 [264]	28 [13]	17 [110]



-KC-23 Options Shown

**Z1940-KC-23** Sani-Flor Receptor, 12" x 6" x 8" deep cast iron body and rectangular square hole light-duty grate with white acid resisting epoxy coated interior and top with seepage flange with seepage holes and clamp collar (-KC) and aluminum bucket (-23).

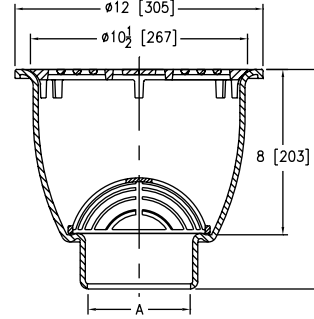
PREFIXES	DESCRIPTION	A PIPE SIZE	Z (A.R.C.)	ZN (N.B.)
<b>Z1940*</b>	Cast Iron Body with White A.R.C. Interior and Top	2", 3", 4"	<b>2,144.00</b>	-
<b>ZN1940</b>	Cast Iron Body with White A.R.C. Interior and Top, 13" x 7" N.B. Frame, and Full Grate with 3/8" Square Openings	2", 3, 4"	-	<b>2,623.00</b>
OUTLETS (SPECIFY PIPE SIZE IN INCHES AND TYPE OF OUTLET)				
OUTLET TYPE	PIPE SIZE/OUTLET TYPE		ADD	
<b>IC</b>	Inside Caulk	2IC, 3IC, 4IC	N/C	N/C
<b>NH</b>	No-Hub	2NH, 3NH, 4NH	N/C	N/C
<b>NL</b>	Neo-Loc	2NL, 3NL, 4NL	N/C	N/C
SUFFIXES			Z (A.R.C.)	ZN (N.B.)
<b>-K</b>	Anchor Flange		275.00	275.00
<b>-KC</b>	Anchor Flange with Seepage Holes and Clamp Collar		462.00	462.00
<b>-P</b>	1/2" Trap Primer Connection		194.00	194.00
<b>-S</b>	Secondary Strainer		N/C	N/C
<b>-TC</b>	Neo-Loc Test Cap Gasket (2", 3", 4" NL Bottom Outlet Only)		24.00	24.00
<b>-2</b>	1/2 Grate		N/C	N/C
<b>-3</b>	3/4 Grate		N/C	N/C
<b>-4</b>	Full Grate with Square Center Opening		178.00	178.00
<b>-6</b>	Grate with 6" Dia. x 6" High Funnel		488.00	626.00
<b>-8</b>	Grate with 8-7/8" x 3-5/8" x 3-3/4" High Oval Funnel		531.00	876.00
<b>-11</b>	Vandal-Proof Secured Grate (ZN only)		N/A	79.00
<b>-15</b>	Solid Loose Set Cover		98.00	171.00
<b>-23</b>	Aluminum Bucket		194.00	194.00
<b>-25</b>	White A.R.C. Bucket		472.00	472.00
<b>-31</b>	Stainless Steel Mesh Liner for Bucket		472.00	472.00
<b>-32</b>	Aluminum Dome Strainer		N/C	N/C
<b>-33</b>	White A.R.C. Anti-Splash Bottom Dome Strainer		318.00	318.00
			DEDUCT	
			Z (A.R.C.)	ZN (N.B.)
<b>-LD</b>	Less Bottom Dome Strainer		- 61.00	- 61.00
<b>-1</b>	Less Grate		- 194.00	- 343.00
<b>SEE LEGACY ADDENDUM ON PAGE 369 FOR MORE INFORMATION</b>				

# Z1950 12" DIAMETER A.R.E. SANI-FLORECEPTOR WITH 8" SUMP DEPTH

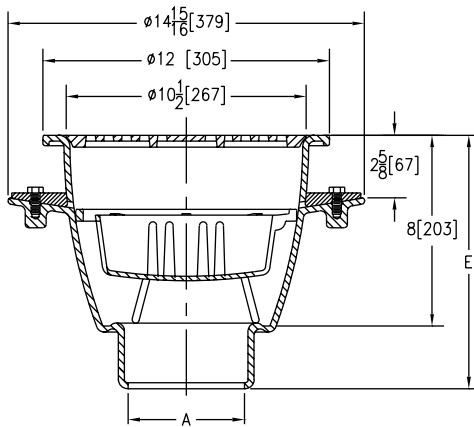


## ENGINEERING SPECIFICATION

Zurn Z1950 Sani-Flor receptor features 12" diameter x 8" deep cast iron body, and round slotted, light-duty grate with white acid resisting porcelain enamel interior and top – complete with white ABS anti-splash interior bottom dome strainer.



Dimensions in inches [mm]				
A Pipe Size/ Outlet Type	E Body Height Dimensions		Approximate Weight lb [kg]	Grate Open Area sq in [cm <sup>2</sup> ]
	Z	ZN		
<b>Inside Caulk (IC)</b>				
3IC, 4IC	10-5/8 [270]	11 [279]	34 [15]	22 [142]
<b>No-Hub (NH)</b>				
2NH, 3NH, 4NH	10-5/8 [270]	11 [279]	34 [15]	22 [142]
<b>Neo-Loc (NL)</b>				
2NL, 3NL, 4NL	10 [254]	10-3/8 [264]	34 [15]	22 [142]



-KC-23 Options Shown

**Z1950-KC-23** Sani-Flor Receptor, 12" diameter x 8" deep cast iron body and round slotted light-duty grate with white acid resisting porcelain enamel interior and top with seepage flange with seepage holes and clamp collar (-KC) and aluminum bucket (-23).

PREFIXES	DESCRIPTION	A PIPE SIZE	Z (A.R.E.)	ZN (N.B.)
<b>Z1950*</b>	Cast Iron Body with White A.R.E. Interior and Top	2", 3", 4"	<b>1,674.00</b>	-
<b>ZN1950</b>	Cast Iron Body with White A.R.E. Interior and Top, 12-1/2" Round N.B. Frame, and Full Grate with 1/2" Square Openings	2", 3, 4"	-	<b>2,668.00</b>

OUTLETS (SPECIFY PIPE SIZE IN INCHES AND TYPE OF OUTLET)				
OUTLET TYPE		PIPE SIZE/ OUTLET TYPE	Z (A.R.E.)	ZN (N.B.)
<b>IC</b>	Inside Caulk	3IC, 4IC	N/C	N/C
<b>NH</b>	No-Hub	2NH, 3NH, 4NH	N/C	N/C
<b>NL</b>	Neo-Loc	2NL, 3NL, 4NL	N/C	N/C

SUFFIXES				
			Z (A.R.E.)	ZN (N.B.)
-K	Anchor Flange		380.00	380.00
-KC	Anchor Flange with Seepage Holes and Clamp Collar		561.00	561.00
-P	1/2" Trap Primer Connection (See Z1023, NH Only)		194.00	194.00
Ⓢ -TC	Neo-Loc Test Cap Gasket (2", 3", 4" NL Bottom Outlet Only)		24.00	24.00
-2	1/2 Grate		N/C	N/C
-3	3/4 Grate		N/C	N/C
-4	Full Grate with Center Opening		178.00	178.00
-6	Grate with 6" Dia. x 6" High Funnel		488.00	626.00
-8	Grate with 8-7/8" x 3-5/8" x 3-3/4" High Oval Funnel		531.00	876.00
-11	Vandal-Proof Secured Grate (ZN only)		N/A	79.00
-15	Solid Loose Set Cover		116.00	228.00
-23	Aluminum Bucket		318.00	318.00
-25	White A.R.C. Bucket		472.00	472.00
-31	Stainless Steel Mesh Liner for Bucket		472.00	472.00
-32	Aluminum Dome Strainer		N/C	N/C
-33	White A.R.C. Anti-Splash Bottom Dome Strainer		318.00	318.00

DEDUCT				
			Z (A.R.E.)	ZN (N.B.)
-LD	Less Bottom Dome Strainer		- 61.00	- 61.00
-1	Less Grate		- 267.00	- 510.00

BEST SELLERS		LIST PRICE
Z1950-2NH-2		1,674.00
Z1950-3NH		1,674.00
Z1950-3NH-2		1,674.00
Z1950-3NH-2-K		2,054.00
Z1950-3NH-2-KC		2,235.00
Z1950-3NH-K		2,054.00
Z1950-3NH-KC		2,235.00
Z1950-3NL-2		1,674.00
ZN1950-3NL-2-32-KC		3,229.00
ZN1950-3NL-23-TC		3,010.00
Z1950-4NH		1,674.00
Z1950-4NH-2		1,674.00
Z1950-4NH-3-33		1,992.00
Z1950-4NL-2		1,674.00

\*Regularly furnished unless otherwise specified.

Items designated as Best Sellers are most specified and are generally in stock for shipment.

Ⓢ This symbol denotes a product that is engineered to reduce installation and rework time.

For additional product information, please visit [www.zurn.com](http://www.zurn.com)

# Z1960 8" DIAMETER A.R.E. SANI-FLOR RECEPTOR WITH 6" SUMP DEPTH

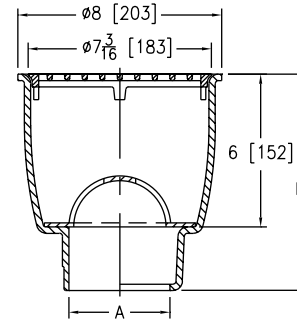


## ENGINEERING SPECIFICATION

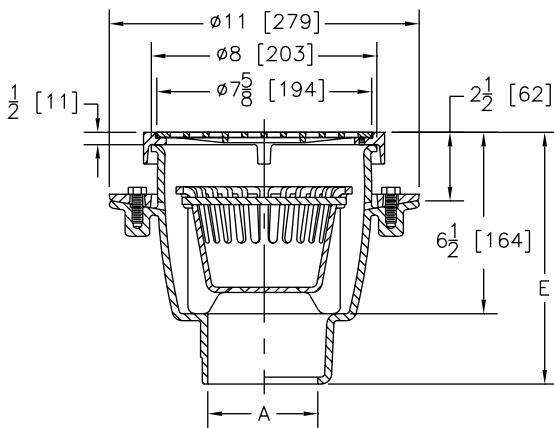
Zurn Z1960 Sani-Flor receptor features 8" diameter x 6" deep cast iron body and square hole, light-duty grate with white acid resisting porcelain enamel interior and top - complete with white ABS anti-splash interior bottom dome strainer.

## NOTE

†Add 9/16" to 8" dimension when specifying ZN1960.



Dimensions in inches [mm]		Approximate Weight lb [kg]	Grate Open Area sq in [cm <sup>2</sup> ]
A Pipe Size/Outlet Type	E Body Height Dimensions		
	Z	ZN	
<b>Inside Caulk (IC)</b>			
3IC, 4IC	8-1/2 [216]	9 [229]	25 [11] 14 [6]
<b>No-Hub (NH)</b>			
2NH, 3NH, 4NH	8-1/2 [216]	9 [229]	25 [11] 14 [6]
<b>Neo-Loc (NL)</b>			
2NL, 3NL, 4NL	8 [203]	8-7/16 [214]	25 [11] 14 [6]



-T-KC-23 Options Shown

**ZN1960-T-KC-23** Sani-Flor Receptor, 8-1/2" square frame x 7-5/8" round light-duty grate with 1/4" openings (-T) x 6-1/2" deep cast iron body with white acid resisting porcelain enamel interior and nickel bronze frame and grate with seepage flange with seepage holes and clamp collar (-KC) and aluminum bucket (-23).

PREFIXES	DESCRIPTION	A PIPE SIZE	Z (A.R.E.)	ZN (N.B.)
<b>Z1960*</b>	Cast Iron Body with White A.R.E. Interior and Top	2", 3", 4"	<b>1,318.00</b>	-
<b>ZN1960†</b>	Cast Iron Body with White A.R.E. Interior and Top, 8-1/2" Round N.B. Frame, and Full Grate with 1/2" Square Openings	2", 3, 4"	-	<b>1,769.00</b>
<b>OUTLETS (SPECIFY PIPE SIZE IN INCHES AND TYPE OF OUTLET)</b>				
OUTLET TYPE	PIPE SIZE/OUTLET TYPE		ADD	
<b>IC</b>	Inside Caulk	3IC, 4IC	N/C	N/C
<b>NH</b>	No-Hub	2NH, 3NH, 4NH	N/C	N/C
<b>NL</b>	Neo-Loc	2NL, 3NL, 4NL	N/C	N/C
<b>SUFFIXES</b>				
			Z (A.R.E.)	ZN (N.B.)
<b>-K</b>	Anchor Flange		<b>286.00</b>	<b>286.00</b>
<b>-KC</b>	Anchor Flange with Seepage Holes and Clamp Collar		<b>472.00</b>	<b>472.00</b>
<b>-P</b>	1/2" Trap Primer Connection (See Z1023, NH Only)		<b>194.00</b>	<b>194.00</b>
<b>-T</b>	Square Frame and Round Grate with 1/4" Square Openings (ZN only)		N/A	<b>245.00</b>
<b>-TC</b>	Neo-Loc Test Cap Gasket (2", 3", 4" NL Bottom Outlet Only)		<b>24.00</b>	<b>24.00</b>
<b>-2</b>	1/2 Grate		N/C	N/C
<b>-3</b>	3/4 Grate		N/C	N/C
<b>-4</b>	Full Grate with Center Opening		<b>178.00</b>	<b>178.00</b>
<b>-6</b>	Grate with 6" Dia. x 6" High Funnel		<b>488.00</b>	<b>626.00</b>
<b>-8</b>	Grate with 8-7/8" x 3-5/8" x 3-3/4" High Oval Funnel		<b>531.00</b>	<b>876.00</b>
<b>-11</b>	Vandal-Proof Secured Grate (ZN only)		N/A	<b>79.00</b>
<b>-15</b>	Solid Loose Set Cover		<b>98.00</b>	<b>171.00</b>
<b>-23</b>	Aluminum Bucket		<b>228.00</b>	<b>228.00</b>
<b>-25</b>	White A.R.C. Bucket		<b>538.00</b>	<b>538.00</b>
<b>-31</b>	Stainless Steel Mesh Liner for Bucket		<b>472.00</b>	<b>472.00</b>
<b>-32</b>	Aluminum Dome Strainer		N/C	N/C
<b>-33</b>	White A.R.C. Anti-Splash Bottom Dome Strainer		<b>318.00</b>	<b>318.00</b>
<b>DEDUCT</b>				
			Z (A.R.E.)	ZN (N.B.)
<b>-LD</b>	Less Bottom Dome Strainer		<b>- 61.00</b>	<b>- 61.00</b>
<b>-1</b>	Less Grate		<b>- 194.00</b>	<b>- 211.00</b>
<b>BEST SELLERS</b>				
			<b>LIST PRICE</b>	
Z1960-2NH			<b>1,318.00</b>	
Z1960-2NH-2			<b>1,318.00</b>	
Z1960-3NH			<b>1,318.00</b>	
Z1960-3NH-2			<b>1,318.00</b>	
Z1960-3NH-2-32			<b>1,318.00</b>	
Z1960-3NH-2-KC			<b>1,790.00</b>	
ZN1960-3NH-2			<b>1,769.00</b>	
Z1960-3NL-2			<b>1,318.00</b>	
Z1960-3NL-23-TC			<b>1,570.00</b>	
ZN1960-3NL-2-23-K			<b>2,283.00</b>	
ZN1960-3NL-2-23-KC			<b>2,469.00</b>	

\*Regularly furnished unless otherwise specified.

Items designated as Best Sellers are most specified and are generally in stock for shipment.

Ⓢ This symbol denotes a product that is engineered to reduce installation and rework time.

For additional product information, please visit [www.zurn.com](http://www.zurn.com)



# Z1970 9" DIAMETER SHALLOW A.R.C. SANI-FLOR RECEPTOR WITH 3" SUMP DEPTH

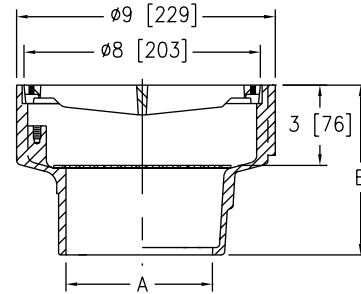


## ENGINEERING SPECIFICATION

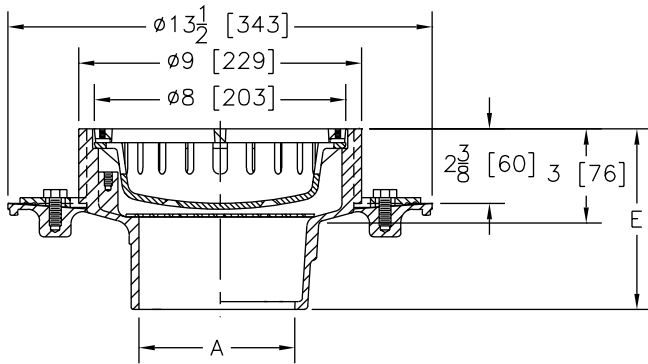
Zurn Z1970 Sani-Flor receptor features 9" diameter x 3" deep cast iron body and round slotted, medium-duty grate with white acid resisting epoxy coated interior and top – complete with brass secondary strainer.

## NOTE

†Add 11/16" to 9" dimension when specifying ZN1970.



Dimensions in inches [mm]				Approximate Weight lb [kg]	Grate Open Area sq in [cm <sup>2</sup> ]
A Pipe Size/ Outlet Type	E Body Height Dimensions		Z		
	Z	ZN			
<b>No-Hub (NH)</b>					
2NH, 3NH, 4NH	5-3/4 [146]	6 [152]	14 [6]	18 [116]	
<b>Neo-Loc (NL)</b>					
2NL, 3NL, 4NL	4-7/8 [124]	5-1/8 [130]	14 [6]	18 [116]	



-KC-25 Options Shown

**Z1970-KC-25** Sani-Flor Receptor, 9" diameter x 2-3/8" deep cast iron body and round slotted medium-duty grate with white acid resisting epoxy coated interior and top with seepage flange with seepage holes and clamp collar (-KC) and white A.R.C. bucket (-25).

PREFIXES	DESCRIPTION	A PIPE SIZE	Z (A.R.C.)	ZN (N.B.)
<b>Z1970*</b>	Cast Iron Body with White A.R.C. Interior and Top	2", 3", 4"	<b>1,273.00</b>	-
<b>ZN1970†</b>	Cast Iron Body with White A.R.C. Interior and Top, 9" Round N.B. Frame, and Full Slotted Grate	2", 3", 4"	-	<b>1,518.00</b>

OUTLETS (SPECIFY PIPE SIZE IN INCHES AND TYPE OF OUTLET)			
OUTLET TYPE	PIPE SIZE/ OUTLET TYPE		ADD
<b>NH</b>	No-Hub	2NH, 3NH, 4NH	N/C N/C
<b>NL</b>	Neo-Loc	2NL, 3NL, 4NL	N/C N/C

SUFFIXES		Z (A.R.C.)	ZN (N.B.)
<b>-K</b>	Anchor Flange	<b>286.00</b>	<b>286.00</b>
<b>-KC</b>	Anchor Flange with Seepage Holes and Clamp Collar	<b>472.00</b>	<b>472.00</b>
<b>-P</b>	1/2" Trap Primer Connection	<b>194.00</b>	<b>194.00</b>
<b>-TC</b>	Neo-Loc Test Cap Gasket (2", 3", 4" NL Bottom Outlet Only)	<b>24.00</b>	<b>24.00</b>
<b>-2</b>	1/2 Grate	N/C	N/C
<b>-3</b>	3/4 Grate	N/C	N/C
<b>-4</b>	Full Grate with Center Opening	<b>178.00</b>	<b>178.00</b>
<b>-5</b>	Grate with 4" Dia. x 3-3/4" High Funnel	<b>380.00</b>	<b>421.00</b>
<b>-7</b>	Grate with 6-3/4" x 3" x 1" High Oval Funnel	<b>380.00</b>	<b>421.00</b>
<b>-11</b>	Vandal-Proof Secured Grate	<b>165.00</b>	<b>165.00</b>
<b>-25</b>	White A.R.C. Bucket	<b>228.00</b>	<b>228.00</b>
<b>-31</b>	Stainless Steel Mesh Liner for Bucket	<b>306.00</b>	<b>306.00</b>

BEST SELLER	LIST PRICE
Z1970-3NH-2	<b>1,273.00</b>

\*Regularly furnished unless otherwise specified.

Items designated as Best Sellers are most specified and are generally in stock for shipment.

⌚ This symbol denotes a product that is engineered to reduce installation and rework time.

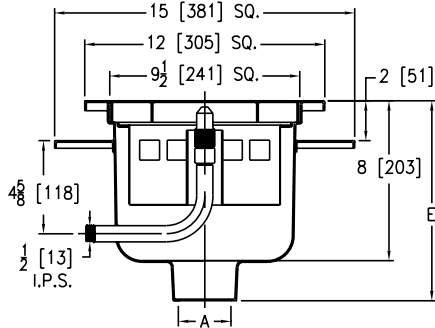
For additional product information, please visit [www.zurn.com](http://www.zurn.com)

## Z1982 12" X 12" STAINLESS STEEL SANI-FLOR CAN WASH DRAIN WITH 8" SUMP DEPTH



### ENGINEERING SPECIFICATION

Zurn Z1982 Sani-Flor can wash drain features 12" x 12" x 8" deep fabricated stainless steel body, bottom outlet, anchor pan, medium-duty, loose set grate, and standing sediment bucket. Comes complete with chrome-plated bronze spray nozzle and water supply assembly.



PREFIXES	DESCRIPTION	A PIPE SIZE	LIST PRICE	
Z1982*	All Type 304 Stainless Steel	3", 4"	4,244.00	
OUTLETS (SPECIFY PIPE SIZE IN INCHES AND TYPE OF OUTLET)				
OUTLET TYPE	PIPE SIZE/OUTLET TYPE		ADD	
NH	No-Hub		3NH, 4NH	N/C
SUFFIXES				
			ADD	
-C	Clamp Collar		185.00	
-WB	Water Supply Control Box (See Z1464)		5,330.00	
-11	Vandal-Proof Secured Grate		633.00	
-31	Stainless Steel Mesh Liner for Bucket		472.00	
BEST SELLERS			LIST PRICE	
Z1982-3NH			4,244.00	
Z1982-3NH-WB-31			10,046.00	
Z1982-3NL-31			4,716.00	

Dimensions in inches [mm]		Approximate Weight lb [kg]	Grate Open Area sq in [cm <sup>2</sup> ]
A Pipe Size/Outlet Type	E Body Height Dimensions		
No-Hub (NH)			
3NH, 4NH	10 [254]	45 [20]	20 [129]

## Z1995 24" X 16" A.R.C. SANI-FLOR RECEPTOR WITH 17" SUMP DEPTH

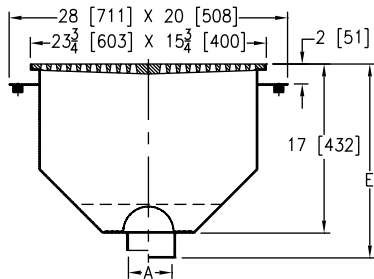


### ENGINEERING SPECIFICATION

Zurn Z1995 Sani-Flor receptor features 24" x 16" x 17" deep, white acid resisting epoxy coated interior, fabricated steel body, integral anchor flange, and rectangular square holed, heavy-duty grate - complete with stainless steel anti-splash interior bottom dome strainer.

### NOTE

†Add 3/8" to 15-3/4" x 23-3/4" and 3/16" to 'E' dimensions when specifying ZN1995.



PREFIXES	DESCRIPTION	A PIPE SIZE	Z (A.R.C.)	ZN (N.B.)
Z1995*	Fabricated Steel Body with White A.R.C. Interior	3", 4", 6"	9,473.00	-
ZN1995†	Fabricated Steel Body with White A.R.C. Interior, 16-1/8" x 24-1/8" N.B. Frame and Full Grate with 1/4" Square Openings	3", 4", 6"	-	12,122.00
OUTLETS (SPECIFY PIPE SIZE IN INCHES AND TYPE OF OUTLET)				
OUTLET TYPE	PIPE SIZE/OUTLET TYPE		ADD	
NH	No-Hub		3NH, 4NH, 6NH	N/C
SUFFIXES				
			Z (A.R.C.)	ZN (N.B.)
-KC	Anchor Flange with Seepage Holes and Clamp Collar		561.00	561.00
-P	1/2" Trap Primer Connection (See Z1023)		380.00	380.00
-2	1/2 Grate		N/C	N/C
-3	3/4 Grate		N/C	N/C
-6	Grate with 6" Dia. x 6" High Funnel		488.00	626.00
-25	White A.R.C. Bucket		1,199.00	1,199.00
BEST SELLER			LIST PRICE	
Z1995-4NH			9,473.00	

Dimensions in inches [mm]		Approximate Weight lb [kg]	Grate Open Area sq in [cm <sup>2</sup> ]
A Pipe Size/Outlet Type	E Body Height Dimensions		
No-Hub (NH)			
3NH, 4NH, 6NH	18-3/4 [476]	19 [483]	70 [452]

# TECHNICAL INFORMATION

TECHNICAL INFO - ZURN OUTLET PIPE CONNECTIONS	<b>370</b>
TECHNICAL INFO - TOP LOADING CLASSIFICATION	<b>371</b>
TECHNICAL INFO - ZURN MATERIALS AND FINISHES	<b>372</b>
GENERAL TERMS AND CONDITIONS	<b>380</b>

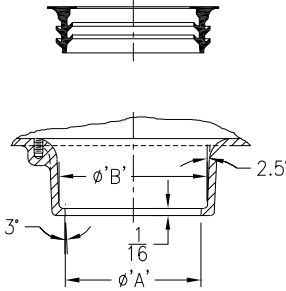
# TECHNICAL INFO - ZURN OUTLET PIPE CONNECTIONS

## INSIDE CAULK (IC)

Often specified where drain body is positioned on pipe, bottom of outlet is sealed with oakum and connection is then completed according to local plumbing codes.

## INSIDE GASKET (IG)

The IG connections utilize an inside caulk drain body and a Zurn "Sealtrol" gasket. This connection is only recommended for basement or ground floor applications.

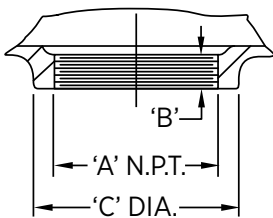


I.C. with Sealtrol Gasket (IG) Inside Caulk (IC)

OUTLETS	'A'	'B'	'C'
2. [51] I.C. Outlet	2-5/8 [67]	3-1/16 [78]	-
3. [76] I.C. Outlet	3-3/4 [95]	4-3/16 [106]	-
4. [102] I.C. Outlet	4-3/4 [121]	5-3/16 [132]	-
5. [127] I.C. Outlet	5-3/4 [146]	6-3/16 [157]	-
6. [152] I.C. Outlet	6-3/4 [172]	7-3/16 [183]	-
8. [203] I.C. Outlet	8-7/8 [226]	9-1/2 [241]	-

## IRON PIPE (IP)

Zurn Iron Pipe Threaded connection is an old industry standard. The female (NPT) threaded outlet is often specified on industrial and institutional applications.

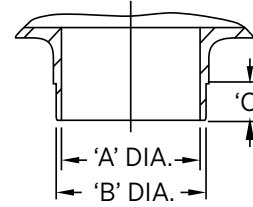


I.P. (Threaded/N.P.T.)

OUTLETS	'A'	'B'	'C'
2. [51] N.P.T. Outlet	2 [51]	9/16 [14]	3-1/4 [83]
3. [76] N.P.T. Outlet	3 [76]	3/4 [19]	4-1/2 [114]
4. [102] N.P.T. Outlet	4 [102]	15/16 [24]	5-5/8 [143]
5. [127] N.P.T. Outlet	5 [127]	15/16 [24]	6-11/16 [170]
6. [152] N.P.T. Outlet	6 [152]	1 [25]	7-3/4 [197]
8. [203] N.P.T. Outlet	8 [203]	1-1/8 [29]	9-3/8 [238]

## NO-HUB (NH)

The most widely used connection. A No-Hub connection is achieved by butting No-Hub soil pipe or plastic pipe to the bottom of drain and securing it with a NH joint clamp. (Clamp furnished by others.)



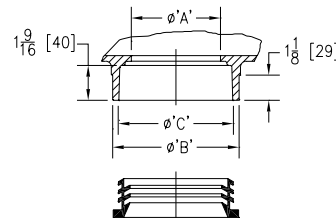
No-Hub (NH)

OUTLETS	'A'	'B'	'C'
2. [51] No-Hub Outlet	2 [51]	2-3/8 [60]	1-9/16 [40]
3. [76] No-Hub Outlet	3 [76]	3-3/8 [86]	1-9/16 [40]
4. [102] No-Hub Outlet	4 [102]	4-3/8 [111]	1-9/16 [40]
5. [127] No-Hub Outlet	4-15/16 [126]	5-5/16 [135]	2-1/16 [52]
6. [152] No-Hub Outlet	5-15/16 [151]	6-5/16 [160]	2-1/16 [52]
8. [203] No-Hub Outlet	8 [203]	8-3/8 [213]	2-1/16 [52]
10. [254] No-Hub Outlet	10 [254]	10-9/16 [268]	2-1/16 [52]
12. [305] No-Hub Outlet	12 [305]	12-9/16 [319]	2-1/16 [52]

## NEO-LOC (NL)

Zurn Neo-Loc is a unique labor-saving compression gasketed connection designed to simply push on the stub end of the pipe. The Neo-Loc drain body and gasket can be utilized with plastic, steel, No-Hub and service weight soil pipe. A unique pipe stop cast in each Zurn Neo-Loc drain body ensures a proper fit.

**Note:** Not recommended for roof drain applications due to the watertight integrity of the Neo-Loc connection to the leader pipe being dependent upon adequate leader pipe support and accurate perpendicularity of leader pipe into Neo-Loc gasket.



"Neo-Loc" (NL)

OUTLETS	'A'	'B'	'C'
2. [51] Neo-Loc Outlet	2 [51]	3-3/8 [86]	3 [76]
3. [76] Neo-Loc Outlet	3 [76]	4-3/8 [111]	4 [102]
4. [102] Neo-Loc Outlet	4 [102]	5-1/2 [140]	5-1/8 [130]
2. [51] NL w/-TC	2 [51]	3-3/8 [86]	3 [76]
3. [76] NL w/-TC	3 [76]	4-3/8 [111]	4 [102]
4. [102] NL w/-TC	4 [102]	5-1/2 [140]	5-1/8 [130]

**Special Note:** Zurn "Neo-Loc" and "Sealtrol" gaskets are designed for use exclusively with Zurn drainage products. They are not sold separately and all warranties either expressed or implied would be forfeited if used in other than a Zurn drainage product.

## TECHNICAL INFO - TOP LOADING CLASSIFICATION

Selection of a Zurn Floor Drain should be based on the load factor and the anticipated traffic. Many of Zurn's cast iron grates may be furnished in Duresist iron when increased working load requirements are necessary. Specify Duresist grate (-DG) when required or contact your Zurn representative when special applications are necessary.

Zurn drains are rated as follows: (Reference ASME Standard A112.6.3M)

### 6.1 – LOADING CLASSIFICATIONS

Grates and top rims shall be designed to meet the following loading classifications.

#### 6.1.1 – LIGHT DUTY

All grates having safe live load (as calculated in para. 6.2.5) under 2000 lb. [900 kg].

#### 6.1.2 – MEDIUM DUTY

All grates having safe live load (as calculated in para. 6.2.5) between 2000 lb. [900 kg] and 4999 lb. [2250 kg].

#### 6.1.3 – HEAVY DUTY

All grates having safe live load (as calculated in para. 6.2.5) between 5000 lb. [2250 kg] and 7499 lb. [3375 kg].

#### 6.1.4 – EXTRA HEAVY DUTY

All grates having safe live load (as calculated in para. 6.2.5) between 7500 lb. [3375 kg] and 10,000 lb. [4500 kg].

#### 6.1.5 – SPECIAL DUTY

Grates having safe live load (as calculated in para. 6.2.5) over 10,000 lb. [4500 kg] shall be considered special and treated accordingly.

### 6.2 – TEST PROCEDURE FOR GRATE LOADING

Live Load – Requirements listed in 6.1 through 6.1.5 shall be determined as follows:

\*Safe live load rating of grates is for general classification purposes only.  
For the actual safe live load of any given grate, contact your Zurn representative.

Note: ZB and ZN 400 Series drain head assemblies are rated for light-duty applications only.

### 6.2.1 – LOAD CLASSIFICATIONS

Load classifications as stated in 6.1 shall be determined by laboratory tests.

#### 6.2.2 – PLATEN SIZE

A 3.5 in. [89 mm] diameter platen shall be applied to the center of the grate specimen.

#### 6.2.3 – LOADING

Loading shall be applied slowly so that point of failure can be observed.

#### 6.2.4 – POINT OF FAILURE

(a) Brittle Materials (Cast Iron). The load (in pounds or kilograms) at which the first fracture on any part of the specimen appears.

(b) Ductile Material. The load which the permanent set (at the point of loading) is greater than 2% of the longest transverse dimension of the specimen.

#### 6.2.5 – GRATE CLASSIFICATION

The maximum safe live load is computed by dividing the load at failure by two.

INTRO

ROOF DRAINS

FLOOR DRAINS

T, P, BW VALVES

INTERCEPTORS

CARRIERS

HYDRANTS

CLEANOUTS

WHA

SS DRAINS

FAB SS DRAINS

SANI-FLOOR

TECH INFO

## TECHNICAL INFO - ZURN MATERIALS AND FINISHES

### ZURN CAST IRON

Conforms to ASTM Specification for Gray Iron Castings A48, Class 25. It is produced utilizing the latest equipment and newest developed foundry techniques. Zurn cast iron castings are characterized by a high degree of strength, corrosion-resistance, workmanship, and finish.

### ZURN DURESIST

A ductile iron complying with ASTM Specification A536, Grade 60-45-10. Its physical properties make it ideal for grates and drain components that are subjected to severe and heavy duty service. Its chemical characteristics make possible a degree of corrosion-resistance far superior to that of cast iron. Zurn Duresist exhibits remarkable stress qualities, possessing a yield strength in the same range as that of cast carbon steel, while its ability to absorb the shock loading of traffic areas is unequalled, making its use ideal for all areas where extra heavy duty service is a requirement – whether indoors or outdoors – in chemical and metal processing plants or other industrial applications.

### ZURN DURA-COAT

A specially formulated paint designed to resist cracking and chipping. Dura-Coat is a latex-based coating developed to be used with cast iron substrate. Dura-Coat is designed, per ASME standards, to protect the product "during normal handling and warehousing prior to installation".

### ZURN GALVANIZED CAST IRON

A process of applying heavy zinc coating to a thoroughly cleaned iron casting. This coating contains 95% zinc. Zurn galvanizing can be supplied on all cast iron parts. It increases longevity and is recommended wherever the discoloration caused by oxidation of cast iron is objectionable. Galvanize should be used in industrial areas where corrosive atmosphere may be encountered.

### CADMIUM PLATED CAST IRON

A process of applying a heavy cadmium coating to a thoroughly cleaned iron casting. This coating contains 95% cadmium in a cold applied process. Cadmium plating can be supplied on all cast iron parts. It increases longevity and is recommended wherever the discoloration caused by oxidation of cast iron is objectionable.

### PROPERTIES OF BASIC DUCTILE VERSUS CAST IRON

METAL	CAST IRON	DUCTILE IRON
Specification	Class 25	60-45-10
Tensile Strength (PSI)	25/30,000	60/80,000
Yield Strength (PSI)	NIL	45/60,000
Elongation	NIL	10% to 25%
Modules of Elasticity	16 x 10	24 x 10

### ZURN BRONZE

A semi-red brass conforming to ASTM Specification for Copper Alloy Sand Casting B584, Copper Alloy No. 844. The exposed surface is normally supplied possessing a satin sheen texture which allows it to blend unobtrusively with surrounding finishes. When the application requires, Zurn Bronze can be polished to a high gloss.

### ZURN NICKEL BRONZE

A unique material that is ideally suited to traffic-bearing grates and strainers in finished floor areas. It affords the combined advantage of greater strength, better appearance, and longer service life at the same price as chrome plated brass. Superior ductility and shock resistance are the result of a copper nickel alloy (Copper Alloy 997) having a wearing surface similar in appearance to satin chrome plate; however, because it does not have a plated surface it cannot chip, peel, crack, or wear off. It is highly resistant to corrosion; however, the process of oxidation will naturally occur over time with most metals. Methods have been developed to prevent, preserve, and restore metals affected by oxidation.

### CHROME PLATED BRONZE

Ideal for installation in walls, gutters, and other areas where a bright decorative finish is desired, and is not subject to the abrasive action of foot and other traffic. It is not recommended for installations where the abrasion will eventually wear through and cause peeling. It should always be specified for swimming pool fittings due to its high resistance to the halogens (chlorine, etc.), encountered in swimming pool sanitation.

### ALUMINUM

Casting grade 319. This is an alloy containing both silicon and copper. It is a solid cast metal in a pleasing light gray color. The light weight, coupled with its exceptional strength and corrosion resistance, makes it ideal for drain components such as sediment buckets and strainers. When used with acid-resisting porcelain enamel coated drains, the possibility of chipping is minimized.

### ZURN STAINLESS STEEL

Castings are normally produced in Type CF8 (304) which is an 18-8 Austenitic Stainless possessing excellent corrosion resistant qualities. For some applications where conditions demand, Type CF8M (316) stainless steel can be supplied. Items formed from stainless steel sheet and other stainless steel products are regularly furnished in Type 304 with 316 as an optional material.

### A.R.C.

Acid Resisting Epoxy Coating is a baked-on powder coating, which produces a smooth, hard, high gloss finish. This epoxy based coating offers high impact resistance and excellent life expectancy in all drainage applications.

### A.R.E.

Acid Resisting Porcelain Enamel is a substantially vitreous or glassy inorganic coating bonded to metal by fusion at a high temperature above 800°F. This coating offers excellent acid, abrasion, and wear resistance. The coating is extremely hard and is the ultimate for sanitation in drainage applications. Zurn A.R.E. coating conforms to the requirements of F.D.A. (Food and Drug Administration) Regulation 21-CFR5 117.1360.

# LEGACY CONFIGURATIONS ADDENDUM

SKU	LIST PRICE
<b>ROOF DRAINS</b>	
Z111-3IP	1,482.00
Z111-4IP-C-R	2,181.00
ZN160-6IP	8,000.00
ZRB160-4IP	6,652.00
Z166-4IC	1,877.00
ZB185-3IP	1,459.00
ZB185-4IP	1,459.00
ZRB185-3IP-45	1,242.00
ZRB185-3NH	1,242.00
ZRB185-4IP-45	1,242.00
Z195-4IC-CF	1,162.00
Z196-3IC	187.00
Z198-13HB	1,843.00
Z198-8HB	1,620.00

SKU	LIST PRICE
<b>FLOOR DRAINS</b>	
Z810 Nickel Grate (MTO)	713.00
ZN310-3NL	4,508.00
ZN310-4IP	4,644.00
ZN310-4NL	4,508.00
ZN319-4IP	28,826.00
ZN320-2IP	4,341.00
ZN320-3IC	4,205.00
ZN400-5D-USA	1,167.00
ZN400-7D-USA	2,073.00
ZN400-8D-USA	2,103.00
ZB400-8D-USA	1,916.00
ZN400-9J	1,493.00
ZN400-13J	2,142.00
ZN400-20J	7,004.00
ZB400-8J-USA	1,369.00
ZB400-17J	2,073.00
ZB400-5K-USA	2,788.00
ZN400-7O-USA	1,597.00
ZN400-2P	3,043.00
ZS400-5SZ	976.00
ZB400-6T-USA	1,493.00
ZN415-3NL-5D	1,500.00
ZN415-2NH-6SH	1,714.00
ZN415-3NH-6SH	1,714.00
ZN415-4NH-6SH	1,714.00
ZN415-4NL-6SH	1,714.00
ZB415-6IP-8SH	3,179.00
ZS415-3NH-SQ5-P	3,354.00
ZS415-6NH-SQ6	2,565.00
ZN453-2IP-5B	1,643.00
ZN453-3NH-5B	1,643.00
ZN453-4IP-5B	1,808.00
ZN453-4NH-6B	1,990.00
ZN453-4NH-6B-P	2,248.00
ZB453-3NH-5B	1,601.00
ZB453-4IP-5B	1,767.00
ZN455-3IP-6B	2,632.00
Z516-4NL	2,708.00
Z516-4NL-DG	3,605.00
Z517-4NL-Y	2,363.00
Z526-3IC	2,544.00
ZN529-6NH	4,209.00
Z556-3NL	711.00
Z556-4NL	711.00
Z560-3NL-Y	966.00
Z560-4NL	1,374.00
Z560-4NL-Y	1,541.00
ZB574-3IP	1,380.00
Z575-2NH	842.00
Z575-4NL	842.00

SKU	LIST PRICE
Z576-4NH	1,162.00
Z576-4NL	1,162.00
Z576-6IC	1,162.00
Z576-6IP	1,298.00
Z586-4NL	2,181.00
ZN609-3NH-Y	2,721.00
ZN609-4NH	2,482.00
Z730-4SP	3,570.00
Z730-4SP-V	4,812.00

<b>TRAPS, PRIMERS, BACKWATER VALVES</b>	
Z1012-3NH	2,340.00
Z1033-3X2	171.00
Z1034-3X2	143.00
Z1034-4X3	240.00
Z1042-6IPX6NH	1,233.00

<b>CARRIERS</b>	
EZCUTGUIDE	257.00
Z1236-F/K-12793	2,436.00
Z1236-F/K-12794	2,436.00
Z1253-79-F/K-12638	1,242.00
Z1253-F/K-2005	1,015.00
Z1253-F/TOTO-LT307.4	1,015.00
Z1258-F/AM-0194.019	1,024.00
Z1259-2-F/AM-124.024	573.00
Z1259-2-F/K-2032	573.00
Z1259-F/AM-0124.024	359.00
Z1259-F/AM-321.026	359.00
Z1259-F/AM-373.027	359.00
Z1259-F/K-1728	359.00
Z1259-F/K-2027	359.00
Z1259-F/K-2032	359.00
Z1282-HD4	3,214.00

<b>HYDRANTS</b>	
Brass Hinge Pin for Hydrant Boxes	26.00
Z1321-1X30	2,229.00
Z1321-1X4	1,769.00
Z1321-3/4X4-WC	1,493.00
Z1321-3/4X8	1,521.00
Z1321-3/4X14-WC	1,615.00
Z1321-3/4X18	1,769.00
Z1321-3/4X18-WC	1,769.00
Z1321-3/4X20	1,914.00
Z1321-3/4X24	1,914.00
Z1322-3/4X6	3,384.00
Z1365-1-1/2X4	17,669.00
Z1365-2X2	19,477.00
Z1365-2X3	19,971.00
Z1365-2X4-PB	21,029.00
Z1395-3/4X2	2,077.00
Z1395-3/4X5	2,349.00
Z1397XL-3/4x2	2,077.00

<b>CLEANOUTS</b>	
ZN1444-2	785.00
ZN1444-3	879.00
ZN1444-8	2,873.00
ZN1447-4	1,808.00
ZB1444-4	911.00
ZANB1457-3IP	1,098.00
ZANB1457-4IP	1,242.00
ZANB1457-5IP	1,622.00
ZANB1457-8IP	2,597.00
ZAB1457-4IP	1,098.00

SKU	LIST PRICE
ZAB1463-7	555.00
ZAB1469-5	168.00
ZAB1469-9	460.00
ZARB1470-2	97.00
ZARB1470-2.5	122.00
ZARB1470-3	168.00
ZARB1470-5	451.00
ZARB1470-6	605.00
ZARB1470-8	1,242.00
ZAB1472-4IP	1,008.00
ZS1475-7-1/4	592.00

<b>STAINLESS STEEL DRAINS</b>	
Z1761-3NH-PB	POA

<b>FABRICATED STAINLESS STEEL DRAINS</b>	
Z1840-6S-4NH	POA

<b>SANI-FLORECEPTORS</b>	
Z1930-2NH	2,811.00
Z1940-2NH	3,710.00
Z1940-3NH	3,710.00

**NOTE:** Items contained in the legacy configuration addendum are still available to support legacy specification but may be subject to longer lead-times. Call factory for availability or suggested substitution of a recommended best seller. Best Sellers are most specified and are generally in stock for shipment.

# ALPHANUMERIC INDEX

<p>Ⓞ A PERFECT FIT: Z1322XL-EZ AND Z1332XL-EZ ECOLOTROL™ WALL HYDRANTS <b>17</b></p> <p>Ⓞ EZ HYDRANTS: Z1327-EZ, Z1350-EZ, Z1320XL-EZ <b>18</b></p> <p>Ⓞ STABILIZER SOLUTIONS <b>9</b></p> <p>Ⓞ THE RACE FOR TIME - Z1231-EZ <b>10</b></p> <p>Ⓞ Z103 15" DIAMETER DEEP SUMP DUAL OUTLET ROOF DRAIN WITH LOW SILHOUETTE DOME <b>30</b></p> <p>Ⓞ Z103-45 45° 15" DIAMETER DEEP SUMP DUAL OUTLET ROOF DRAIN WITH LOW SILHOUETTE DOME <b>31</b></p> <p>Ⓞ Z130 14-9/32" DIAMETER SIPHONIC MAIN ROOF DRAIN <b>44</b></p> <p>Ⓞ Z130 SIPHONIC ROOF DRAIN WITH DECK PLATE <b>13</b></p> <p>Ⓞ Z131 14-9/32" DIAMETER SIPHONIC OVERFLOW ROOF DRAIN <b>44</b></p> <p>Ⓞ Z163 15" DIAMETER COMBINATION MAIN ROOF AND OVERFLOW DRAIN WITH LOW SILHOUETTE DOMES AND DOUBLE TOP-SET® DECK PLATE <b>49</b></p> <p>Ⓞ Z164 12" DIAMETER COMBINATION MAIN ROOF AND OVERFLOW DRAIN WITH LOW SILHOUETTE DOMES AND DOUBLE TOP-SET® DECK PLATE <b>50</b></p> <p>Ⓞ Z165 8-3/8" DIAMETER COMBINATION MAIN ROOF AND OVERFLOW DRAIN WITH LOW SILHOUETTE DOMES AND DOUBLE TOP-SET® DECK PLATE <b>51</b></p> <p>Ⓞ Z250H FOG-CEPTOR® INTERCEPTOR <b>7</b></p> <p>Ⓞ Z400-18 LEVELING RING <b>83</b></p> <p>Ⓞ Z400-SR FLOOR DRAIN STABILIZER RING <b>83</b></p> <p>Ⓞ Z400 "TYPE BZ" ROUND LEVELING STRAINER WITH SQUARE OPENINGS <b>75</b></p> <p>Ⓞ Z400 "TYPE SZ" SQUARE LEVELING STRAINER WITH SLOTTED OPENINGS <b>82</b></p> <p>Ⓞ Z415B-DP BODY ASSEMBLY W/ "TYPE B" STRAINER AND DECK PLATE <b>89</b></p> <p>Ⓞ Z415 BODY ASSEMBLY WITH "TYPE BZ" LEVELING STRAINER <b>94</b></p> <p>Ⓞ Z415 BODY ASSEMBLY WITH "TYPE SZ" LEVELING STRAINER <b>110</b></p> <p>Ⓞ Z415-BZ1 BODY ASSEMBLY W/ "TYPE B" STRAINER AND EZ1™ TECHNOLOGY <b>85</b></p> <p>Ⓞ Z415-BZ1-DP BODY ASSEMBLY W/ "TYPE B" STRAINER, DECK PLATE AND EZ1™ TECHNOLOGY <b>87</b></p> <p>Ⓞ Z415S-DP BODY ASSEMBLY W/ "TYPE S" STRAINER AND DECK PLATE <b>90</b></p> <p>Ⓞ Z415-SZ1 BODY ASSEMBLY W/ "TYPE S" STRAINER AND EZ1™ TECHNOLOGY <b>86</b></p> <p>Ⓞ Z415-SZ1-DP BODY ASSEMBLY W/ "TYPE S" STRAINER, DECK PLATE AND EZ1™ TECHNOLOGY <b>88</b></p> <p>Ⓞ Z499B ROUND PROTECTIVE COVER FOR FLOOR DRAINS <b>84</b></p> <p>Ⓞ Z499S SQUARE PROTECTIVE COVER FOR FLOOR DRAINS <b>84</b></p> <p>Ⓞ Z1035 FLOOR DRAIN INSTALLATION STABILIZER <b>169</b></p> <p>Ⓞ Z1035-Q STRUCTURAL DECK DRAIN STABILIZER <b>169</b></p> <p>Ⓞ Z1036 FLOOR DRAIN INSTALLATION STABILIZER <b>170</b></p> <p>Ⓞ Z1072 - ZSHIELD™ FLOOR DRAIN BARRIER TRAP SEAL <b>16</b></p>	<p>Ⓞ Z1201-H EZCARRY® ADJUSTABLE HORIZONTAL HIGH PERFORMANCE SIPHON JET - HUB AND SPIGOT SERIES <b>218</b></p> <p>Ⓞ Z1201-N EZCARRY® ADJUSTABLE HORIZONTAL HIGH PERFORMANCE SIPHON JET - NO-HUB SERIES <b>216</b></p> <p>Ⓞ Z1202-H EZCARRY® ADJUSTABLE VERTICAL HIGH PERFORMANCE SIPHON JET - HUB AND SPIGOT SERIES <b>230</b></p> <p>Ⓞ Z1202-N EZCARRY® ADJUSTABLE VERTICAL HIGH PERFORMANCE SIPHON JET - NO-HUB SERIES <b>228</b></p> <p>Ⓞ Z1222-CB CARRIER BANK <b>21</b></p> <p>Ⓞ Z1231-EZ CONCEALED ARM SYSTEM - WALL LAVATORIES <b>261</b></p> <p>Ⓞ Z1231-EZR CONCEALED ARM SYSTEM - FOR WALL LAVATORIES WITH ADJUSTABLE UPRIGHTS AND HEADER PLATES <b>262</b></p> <p>Ⓞ Z1320XL-EZ ECOLOTROL CERAMIC DISC WALL HYDRANT - ENCASED, NON-FREEZE, ANTI-SIPHON, AUTOMATIC DRAINING <b>277</b></p> <p>Ⓞ Z1322XL-EZ ECOLOTROL CERAMIC DISC WALL HYDRANT - EXPOSED, NON-FREEZE, ANTI-SIPHON, AUTOMATIC DRAINING <b>279</b></p> <p>Ⓞ Z1327-EZ NARROW WALL HOT/COLD HYDRANT WITH MOUNTING BRACKETS - ENCASED, MODERATE CLIMATE <b>280</b></p> <p>Ⓞ Z1332XL-EZ ECOLOTROL CERAMIC DISC WALL HYDRANT - ENCASED, ANTI-SIPHON, AUTOMATIC DRAINING, MODERATE CLIMATE <b>281</b></p> <p>Ⓞ Z1350-EZ NARROW WALL HYDRANT WITH MOUNTING BRACKETS - ENCASED, MODERATE CLIMATE <b>283</b></p> <p>Ⓞ Z1400B-DP BODY ASSEMBLY W/ "TYPE B" COVER AND DECK PLATE <b>297</b></p> <p>Ⓞ Z1400-BZ1-DP BODY ASSEMBLY W/ "TYPE B" COVER, DECK PLATE AND EZ1™ TECHNOLOGY <b>295</b></p> <p>Ⓞ Z1400-BZ1 FLOOR CLEANOUT WITH "TYPE B" COVER AND EZ1™ TECHNOLOGY <b>293</b></p> <p>Ⓞ Z1400-BZ "LEVEL-TROL" ADJUSTABLE LEVELING FLOOR CLEANOUT <b>300</b></p> <p>Ⓞ Z1400S-DP BODY ASSEMBLY W/ "TYPE S" COVER AND DECK PLATE <b>298</b></p> <p>Ⓞ Z1400-SZ1 BODY ASSEMBLY W/ "TYPE S" COVER AND EZ1™ TECHNOLOGY <b>294</b></p> <p>Ⓞ Z1400-SZ1-DP BODY ASSEMBLY W/ "TYPE S" COVER, DECK PLATE AND EZ1™ TECHNOLOGY <b>296</b></p> <p>Ⓞ Z1400-SZ "LEVEL-TROL" SQUARE ADJUSTABLE LEVELING FLOOR CLEANOUT <b>301</b></p> <p>Ⓞ Z1900-RL 12" X 12" X 6" REPLACEMENT FLOOR SINK LINER <b>354</b></p> <p>Ⓞ Z1901-RL 12" X 12" X 8" REPLACEMENT FLOOR SINK LINER <b>356</b></p> <p>Ⓞ Z1902-RL 12" X 12" X 10" REPLACEMENT FLOOR SINK LINER <b>358</b></p> <p>Ⓞ Z1903 SANI-FLOOR RECEPTOR INSTALLATION STABILIZER <b>358</b></p> <p>Ⓞ Z1910-RL 8" X 8" X 6" REPLACEMENT FLOOR SINK LINER <b>360</b></p>	<p>Ⓞ ZE1201-H EZCARRY® ADJUSTABLE HORIZONTAL SIPHON JET WITH ELONGATED FITTING - HUB AND SPIGOT SERIES <b>224</b></p> <p>Ⓞ ZE1201-N EZCARRY® ADJUSTABLE HORIZONTAL SIPHON JET WITH ELONGATED FITTING - NO-HUB SERIES <b>222</b></p> <p>Ⓞ ZE1203-H ADJUSTABLE HORIZONTAL SIPHON JET WITH ELONGATED FITTING - HUB AND SPIGOT SERIES <b>242</b></p> <p>Ⓞ ZE1203-N ADJUSTABLE HORIZONTAL SIPHON JET WITH ELONGATED FITTING - NO-HUB SERIES <b>240</b></p> <p>Ⓞ ZF1201-N EZCARRY® HORIZONTAL SIPHON JET ONE-PIECE CARRIER - NO-HUB SERIES <b>226</b></p> <p>Ⓞ ZF1202-N EZCARRY® VERTICAL SIPHON JET ONE-PIECE CARRIER - NO-HUB SERIES <b>234</b></p> <p>Ⓞ ZN1201-N EZCARRY® ADJUSTABLE HORIZONTAL SIPHON JET - NO-HUB NARROW WALL SYSTEM (9-3/8" DEPTH FRONT TO BACK) <b>227</b></p> <p>Ⓞ ZN1202-N EZCARRY® ADJUSTABLE VERTICAL SIPHON JET - NO-HUB NARROW WALL SYSTEM <b>235</b></p> <p>Ⓞ ZURN TOP-SET® DECK PLATE <b>12</b></p> <p>100C 15" DIAMETER DEEP SUMP DUAL OUTLET ROOF DRAIN - LOW SILHOUETTE DOME <b>29</b></p> <p>ABBREVIATIONS USED IN THIS CUSTOMER GUIDE <b>23</b></p> <p>CARRIER - APPLICATION INDEX <b>212</b></p> <p>CARRIER - HOW TO SPECIFY <b>212</b></p> <p>CARRIER - PRODUCT COMPLIANCE <b>212</b></p> <p>CARRIER - TECHNICAL DATA <b>212</b></p> <p>CARRIER - TECHNICAL DATA <b>213</b></p> <p>CAST IRON EZ1™ NOMENCLATURE DECODER <b>66</b></p> <p>CLEANOUTS - APPLICATION INDEX <b>292</b></p> <p>CUSTOMER GUIDE INSTRUCTIONS <b>22</b></p> <p>FLOOR DRAINS - APPLICATION INDEX <b>65</b></p> <p>FLOOR DRAINS - GENERAL INFORMATION <b>65</b></p> <p>GENERAL TERMS AND CONDITIONS <b>380</b></p> <p>GREASE INTERCEPTORS - OPERATION <b>177</b></p> <p>GREASE INTERCEPTORS - PURPOSE <b>176</b></p> <p>GREEN ROOFING DRAINAGE SOLUTIONS <b>15</b></p> <p>HYDRANTS - APPLICATION INDEX <b>274</b></p> <p>INTERCEPTORS - APPLICATION INDEX <b>176</b></p> <p>INTERCEPTORS - GENERAL INFORMATION <b>176</b></p> <p>OIL INTERCEPTORS - APPLICATION INDEX <b>198</b></p> <p>OIL INTERCEPTORS - GENERAL PRODUCT INFORMATION <b>198</b></p> <p>ROOF DRAIN - APPLICATION INDEX <b>26</b></p> <p>ROOF DRAIN - GENERAL INFORMATION <b>26</b></p> <p>ROOF DRAIN - PRODUCT COMPLIANCE <b>26</b></p> <p>SANI-FLOOR RECEPTORS - MATERIAL SELECTION <b>352</b></p> <p>SANI-FLOOR RECEPTORS - OPTIONS AND VARIATIONS <b>352</b></p> <p>SOLIDS INTERCEPTORS - APPLICATION INDEX <b>190</b></p> <p>SOLIDS INTERCEPTORS - GENERAL PRODUCT INFORMATION <b>190</b></p> <p>SOLIDS INTERCEPTORS - SIZING <b>190</b></p> <p>STAINLESS STEEL DRAINS - APPLICATION INDEX <b>318</b></p>
--	--	--

For additional product information, please visit [www.zurn.com](http://www.zurn.com)



## ALPHANUMERIC INDEX

STAINLESS STEEL DRAINS – BUTT-WELD ENGINEERING DATA	318	Z193 VANDAL-PROOF HOODED VENT CAP	56	Z415 BODY ASSEMBLY WITH "TYPE H" STRAINER	99
TECHNICAL INFO - TOP LOADING CLASSIFICATION	371	Z195 VENT STACK FLASHING SLEEVE	57	Z415 BODY ASSEMBLY WITH "TYPE I" STRAINER	100
TECHNICAL INFO - ZURN MATERIALS AND FINISHES	372	Z196 VENT STACK FLASHING SLEEVE	57	Z415 BODY ASSEMBLY WITH "TYPE J" HEEL-PROOF STRAINER	101
TECHNICAL INFO - ZURN OUTLET PIPE CONNECTIONS	370	Z197 RISER SLEEVE	58	Z415 BODY ASSEMBLY WITH "TYPE K" STRAINER	102
TRAPS, PRIMERS, AND BACKWATER VALVES – APPLICATION INDEX	160	Z198 PARAPET SCUPPER SLEEVE	58	Z415 BODY ASSEMBLY WITH "TYPE M" STRAINER AND SUR-SET BUCKET	103
TRAPS, PRIMERS, AND BACKWATER VALVES – OPTIONS AND VARIATIONS	160	Z199-DC DOWNSPOUT COVER	61	Z415 BODY ASSEMBLY WITH "TYPE N" STRAINER	104
TYPICAL PRODUCT PAGE NAVIGATION	22	Z199 DOWNSPOUT NOZZLE	59	Z415 BODY ASSEMBLY WITH "TYPE SC" STRAINER	107
VP-DRIVER VANDAL-PROOF DRIVER	158	Z250H FOG-CEPTOR® INTERCEPTOR	178	Z415 BODY ASSEMBLY WITH "TYPE SH" STRAINER	108
Z100 15" DIAMETER MAIN ROOF DRAIN WITH LOW SILHOUETTE DOME	27	Z300 THOROFLUSH DRAIN	67	Z415 BODY ASSEMBLY WITH "TYPE SL" STRAINER	109
Z101 HIGH CAPACITY 20" DIAMETER MAIN ROOF DRAIN WITH LOW SILHOUETTE DOME	28	Z310 THOROFLUSH DRAIN	67	Z415 BODY ASSEMBLY WITH "TYPE S" STRAINER	105
Z104 15" DIAMETER DEEP SUMP ROOF DRAIN WITH LOW SILHOUETTE DOME	32	Z315 VANDAL-PROOF ACCESS DRAIN	68	Z420 DEEP SHANK FLOOR AND SHOWER DRAIN FOR MARBLE AND GRANITE APPLICATIONS	111
Z105 CONTROL-FLO™ ROOF DRAIN WITH PARABOLIC WEIR	33	Z319 THOROFLUSH DRAIN – LARGE CAPACITY	68	Z450 DRUM TRAP DRAIN WITH "TYPE B" STRAINER	112
Z107 20" WIDE DECK FLANGE ROOF DRAIN	34	Z320 REFRIGERATOR DRAIN	69	Z451 SHALLOW TRAP DRAIN WITH "TYPE B" STRAINER	113
Z108 15" DIAMETER DECK RECEPTOR DRAIN	35	Z325 INDIRECT WASTE FUNNEL WITH INTEGRAL BACKWATER VALVE	69	Z453 DEEP SEAL TRAP DRAIN WITH "TYPE B" STRAINER	114
Z110 15" GREEN ROOF DRAIN WITH PERFORATED SCREEN ASSEMBLY, AND REMOVABLE COVER WITH LIFT HANDLE	36	Z326 INDIRECT WASTE FUNNEL	70	Z455 TRAP DRAIN WITH FLOOR CLEANOUT WITH "TYPE B" STRAINER	115
Z110-AI GREEN ROOF DRAIN WITH PERFORATED SCREEN ASSEMBLY, REMOVABLE COVER WITH LIFT HANDLE, AND AUXILIARY INLET	37	Z328 FUNNEL CONVERTING ASSEMBLY	70	Z456 DEEP SEAL TRAP DRAIN WITH FLOOR CLEANOUT AND CLAMP COLLAR WITH "TYPE B" STRAINER	116
Z111 12" DIAMETER FLAT DECK ROOF DRAIN FOR METAL DECKS	39	Z329 FUNNEL CONVERTING ASSEMBLY	71	Z460B SHALLOW BODY FLOOR DRAIN WITH SIDE OUTLET AND "TYPE B" STRAINER	117
Z121 12" DIAMETER ROOF DRAIN LOW SILHOUETTE DOME	40	Z349 TERRACE PLANTING AREA DRAIN	72	Z461 6" SQUARE MODULAR NON-ADJUSTABLE FLOOR DRAIN WITH CLAMPING FRAME	118
Z122 12" DIAMETER DECK RECEPTOR DRAIN	41	Z350 PLANTING AREA DRAIN	72	Z503 15" HEAVY-DUTY AREA DRAIN	118
Z125 8-3/8" DIAMETER ROOF DRAIN LOW SILHOUETTE DOME	42	Z355 PRISON CELL FLOOR DRAIN	73	Z505 12" HEAVY-DUTY DRAIN	119
Z127 8-1/2" DIAMETER DECK RECEPTOR DRAIN	43	Z400 "TYPE BL" ROUND STRAINER WITH DEX-O-TEX FLANGE	74	Z507 7" MEDIUM-DUTY DRAIN	120
Z150 14" SQUARE TOP PROM-DECK DRAIN WITH HEEL-PROOF GRATE AND ROTATABLE FRAME	45	Z400 "TYPE B" ROUND STRAINER WITH HEEL-PROOF SQUARE OPENINGS	73	Z508 9" EXTRA-HEAVY-DUTY DRAIN	121
Z154 12" SQUARE TOP PROM-DECK DRAIN WITH HEEL-PROOF GRATE AND ROTATABLE FRAME	46	Z400 "TYPE C" ROUND HINGED STRAINER	75	Z509 12" HEAVY-DUTY DRAIN	122
Z158 10" SQUARE TOP PROM-DECK DRAIN WITH HEEL-PROOF GRATE AND ROTATABLE FRAME	47	Z400 "TYPE D" ROUND STRAINER WITH SOLID HINGED COVER	76	Z511 9" HEAVY-DUTY DRAIN	123
Z160 135° SCUPPER DRAIN	48	Z400 "TYPE E" ROUND STRAINER WITH INTEGRAL FUNNEL	76	Z512 12-1/4" HEAVY-DUTY DRAIN	124
Z161 3" X 10" OBLIQUE SCUPPER DRAIN	48	Z400 "TYPE G" ROUND STRAINER WITH DOME	76	Z513 9" SQUARE HINGED HEAVY-DUTY DRAIN	125
Z180 4-1/2" DIAMETER CORNICE DRAIN WITH BOTTOM OUTLET	51	Z400 "TYPE H" ROUND STRAINER WITH CLAMP DEVICE	77	Z520 9" ADJUSTABLE HEAVY-DUTY DRAIN	126
Z181 6" DIAMETER CORNICE DRAIN WITH BOTTOM OUTLET	52	Z400 "TYPE I" ROUND STRAINER WITH RAISED LIP	77	Z521 12" DIAMETER ADJUSTABLE HEAVY-DUTY DRAIN	127
Z182 4-1/2" DIAMETER CORNICE DRAIN WITH 90° OUTLET	52	Z400 "TYPE J" RECTANGULAR STRAINER WITH HEEL-PROOF SLOTTED OPENINGS	78	Z526 12" ADJUSTABLE HEAVY-DUTY DRAIN	128
Z185 6" DIAMETER CORNICE DRAIN WITH 90° OUTLET	53	Z400 "TYPE K" ANGULAR STRAINER	78	Z530 9" MEDIUM-DUTY WIDE FLANGE DECK DRAIN	129
Z187 6" X 7" OR 8" X 12" OBLIQUE SCUPPER DRAIN	53	Z400 "TYPE M" ROUND STRAINER WITH SLOTTED OPENINGS AND SUR-SET BUCKET	79	Z531 9" ADJUSTABLE FRAME WIDE FLANGE MEDIUM-DUTY DECK DRAIN	129
Z189 5" X 6" X 11" SCUPPER DRAIN	54	Z400 "TYPE N" ROUND STRAINER WITH DEEP FLANGED GRATE	79	Z532 12-1/4" DIAMETER WIDE FLANGE HEAVY-DUTY FLOOR DRAIN	130
Z190 VERTICAL EXPANSION JOINT	54	Z400 "TYPE SC" SQUARE STRAINER WITH SOLID HINGED COVER	81	Z533 9" DIAMETER HEAVY-DUTY PARKING DECK DRAIN WITH SUPPORT FLANGE	130
Z191 5" X 4" X 24" DOWNSPOUT BOOT	55	Z400 "TYPE SH" SQUARE HINGED STRAINER	81	Z534 12-1/4" DIAMETER HEAVY-DUTY PARKING DECK DRAIN WITH SUPPORT FLANGE	131
Z191-RD 4" X 18" DOWNSPOUT BOOT	55	Z400 "TYPE SL" SQUARE STRAINER WITH DEX-O-TEX FLANGE	81	Z535 HEAVY-DUTY PARKING STRUCTURE DRAIN	131
Z192 4" X 3" DOWNSPOUT BOOT	56	Z400 "TYPE S" SQUARE STRAINER	80	Z536 15-3/8" DIAMETER HEAVY-DUTY PARKING DECK DRAIN WITH SUPPORT FLANGE	132
		Z400-U ADJUSTABLE STRAINER EXTENSION	83	Z537 15-7/8" SQUARE TOP HEAVY-DUTY PARKING DECK DRAIN WITH SUPPORT FLANGE	133
		Z415 BODY ASSEMBLY WITH HEEL-PROOF "TYPE B" STRAINER	91	Z539 12-1/4" HEAVY-DUTY DRAIN WITH DEEP SUMP	133
		Z415 BODY ASSEMBLY WITH "TYPE BL" STRAINER	93		
		Z415 BODY ASSEMBLY WITH "TYPE C" STRAINER	95		
		Z415 BODY ASSEMBLY WITH "TYPE D" STRAINER	96		
		Z415 BODY ASSEMBLY WITH "TYPE E" STRAINER	97		
		Z415 BODY ASSEMBLY WITH "TYPE G" STRAINER	98		

For additional product information, please visit [www.zurn.com](http://www.zurn.com)

# ALPHANUMERIC INDEX

<p><b>INTRO</b></p> <p><b>ROOF DRAINS</b></p> <p><b>FLOOR DRAINS</b></p> <p><b>T, P, BW VALVES</b></p> <p><b>INTERCEPTORS</b></p> <p><b>CARRIERS</b></p> <p><b>HYDRANTS</b></p> <p><b>CLEANOUTS</b></p> <p><b>WHA</b></p> <p><b>SS DRAINS</b></p> <p><b>FAB SS DRAINS</b></p> <p><b>SANI-FLOR</b></p> <p><b>TECH INFO</b></p>	<p>Z540 12-1/4" MEDIUM-DUTY DRAIN WITH SUR-SET BUCKET <b>134</b></p> <p>Z541 12-1/4" DIAMETER HEAVY-DUTY DRAIN <b>135</b></p> <p>Z545 16" DIAMETER HEAVY-DUTY DRAIN <b>136</b></p> <p>Z546 21-1/2" DIAMETER EXTRA HEAVY-DUTY DRAIN <b>137</b></p> <p>Z547 21" DIAMETER EXTRA HEAVY-DUTY HEEL-PROOF PARKING DECK DRAIN WITH SUPPORT FLANGE <b>137</b></p> <p>Z550 9" DIAMETER MEDIUM-DUTY DRAIN <b>138</b></p> <p>Z551 9" DIAMETER MEDIUM-DUTY DRAIN <b>139</b></p> <p>Z554 9" MEDIUM-DUTY DRAIN WITH SUR-SET BUCKET <b>140</b></p> <p>Z556 8" ADJUSTABLE HEAVY-DUTY DRAIN <b>140</b></p> <p>Z566 12" SQUARE OPEN TOP DRAIN <b>141</b></p> <p>Z575 6" X 12" MEDIUM-DUTY GUTTER DRAIN <b>141</b></p> <p>Z587 12-1/4" X 9-1/2" MEDIUM-DUTY DRAIN <b>142</b></p> <p>Z609 9" SQUARE HEAVY-DUTY DRAIN <b>142</b></p> <p>Z610 12-1/2" HEAVY-DUTY DRAIN <b>143</b></p> <p>Z611 9" MEDIUM-DUTY DRAIN <b>144</b></p> <p>Z624 ISOLATION DECK DRAIN <b>145</b></p> <p>Z625 ADJUSTABLE ISOLATION DECK DRAIN <b>145</b></p> <p>Z627 HEAVY-DUTY ADJUSTABLE ISOLATION DECK DRAIN <b>146</b></p> <p>Z629 VERTICAL WALL DRAIN WITH BACKWATER VALVE <b>147</b></p> <p>Z645 12-1/2" X 12-1/2" HEAVY-DUTY DRAIN <b>148</b></p> <p>Z662 16" HEAVY-DUTY DRAIN <b>149</b></p> <p>Z662-HF 16" HEAVY-DUTY DRAIN WITH HIGH FLOW DUCTILE IRON GRATE <b>150</b></p> <p>Z664 6" WIDE HEAVY-DUTY MODULAR TRENCH DRAIN <b>151</b></p> <p>Z665 12" WIDE HEAVY-DUTY MODULAR TRENCH DRAIN <b>152</b></p> <p>Z667 6" WIDE MEDIUM-DUTY MODULAR TRENCH DRAIN <b>153</b></p> <p>Z668 11-1/4" X 19-1/4" HEAVY-DUTY DRAIN <b>153</b></p> <p>Z673 29" X 30" EXTRA HEAVY-DUTY DRAIN <b>154</b></p> <p>Z675 13-1/2" EXTRA HEAVY-DUTY DRAIN <b>155</b></p> <p>Z676 13-1/2" EXTRA HEAVY-DUTY DRAIN <b>155</b></p> <p>Z730 9" TOP MEDIUM-DUTY DRAIN <b>156</b></p> <p>Z742 LIGHT-DUTY TRAP DRAIN <b>157</b></p> <p>Z761 12-1/2" X 12-1/2" HEAVY-DUTY DRAIN <b>158</b></p> <p>Z1000 DEEP SEAL TRAP <b>162</b></p> <p>Z1005 DEEP SEAL TRAP WITH ADJUSTABLE COVER <b>162</b></p> <p>Z1012 DEEP SEAL TRAP WITH FLOOR CLEANOUT <b>163</b></p> <p>Z1019 FUNNEL DRAIN WITH "P" TRAP <b>163</b></p> <p>Z1020XL ELECTRONIC TRAP PRIMER <b>164</b></p> <p>Z1021 WATER SAVER TRAP PRIMER WITH 1-1/2" COPPER SWEAT WALL CONNECTION <b>164</b></p> <p>Z1022-XL LEAD-FREE SANI-GARD AUTOMATIC TRAP PRIMER <b>165</b></p> <p>Z1023 TRAP PRIMER CONNECTION ADAPTER <b>165</b></p> <p>Z1024 FIXED AIR GAP <b>166</b></p> <p>Z1025 FIXED AIR GAP <b>166</b></p> <p>Z1030 HUB ADAPTER <b>167</b></p> <p>Z1032 INSIDE CAULK REDUCER <b>167</b></p> <p>Z1033 FEMALE PIPE THREAD REDUCER <b>168</b></p> <p>Z1034 FEMALE PIPE ECCENTRIC REDUCER <b>168</b></p> <p>Z1040 NO-HUB ADAPTER <b>170</b></p> <p>Z1042 ELBOW ADAPTER <b>171</b></p> <p>Z1072 ZSHIELD™ BARRIER TRAP SEAL DEVICE FOR FLOOR DRAINS <b>161</b></p> <p>Z1088 BACKWATER VALVE GATE TYPE <b>171</b></p> <p>Z1090 BACKWATER VALVE FLAPPER TYPE <b>172</b></p> <p>Z1091 BACKWATER VALVE FLAPPER TYPE <b>172</b></p> <p>Z1095 BACKWATER VALVE FLAPPER TYPE <b>173</b></p> <p>Z1099 BACKWATER VALVE BALL FLOAT TYPE <b>174</b></p> <p>Z1165 100 PPM GREASE INTERCEPTOR SYSTEM WITH SOLIDS INTERCEPTOR <b>179</b></p> <p>Z1170 GREASE INTERCEPTOR <b>180</b></p> <p>Z1170-UN GREASE INTERCEPTOR WITH USER NOTIFICATION SYSTEM <b>181</b></p> <p>Z1171 LOW PROFILE GREASE INTERCEPTOR <b>183</b></p> <p>Z1171-TD LOW PROFILE GREASE INTERCEPTOR WITH ACCUMULATING CONE AND FLOW CONTROL TEE <b>184</b></p> <p>Z1172 LARGE CAPACITY GREASE INTERCEPTOR <b>185</b></p> <p>Z1172-UN LARGE CAPACITY GREASE INTERCEPTOR WITH USER NOTIFICATION SYSTEM <b>186</b></p> <p>Z1173 EJECTO-MATIC GREASE INTERCEPTOR <b>187</b></p> <p>Z1173-TD EJECTO-MATIC GREASE INTERCEPTOR WITH GREASE ACCUMULATING CONE AND IN-LINE SHUTOFF VALVE <b>188</b></p> <p>Z1174 GREASE EATING BACTERIA DOSING UNIT AND SOLIDS INTERCEPTOR COMBINATION <b>189</b></p> <p>Z1175 HAIR INTERCEPTOR <b>191</b></p> <p>Z1176 HAIR INTERCEPTOR <b>191</b></p> <p>Z1180 SOLIDS INTERCEPTOR <b>192</b></p> <p>Z1181 SOLIDS INTERCEPTOR <b>192</b></p> <p>Z1182 SIDE ACCESS SOLIDS INTERCEPTOR <b>193</b></p> <p>Z1183-DF SOLIDS INTERCEPTOR WITH DISPOSABLE FILTER BAGS <b>194</b></p> <p>Z1183-FC SOLIDS INTERCEPTOR WITH FLUSH COVER <b>195</b></p> <p>Z1183 SOLIDS INTERCEPTOR <b>193</b></p> <p>Z1184 BOTTOM ACCESS SOLIDS INTERCEPTOR <b>196</b></p> <p>Z1185 LINT INTERCEPTOR <b>197</b></p> <p>Z1186 OIL INTERCEPTOR <b>199</b></p> <p>Z1186-ST OIL INTERCEPTOR WITH INTEGRAL STORAGE TANK <b>200</b></p> <p>Z1187 SAND AND SEDIMENT INTERCEPTOR <b>201</b></p> <p>Z1187-SI SAND INTERCEPTOR <b>202</b></p> <p>Z1188 LARGE CAPACITY OIL INTERCEPTOR <b>203</b></p> <p>Z1188-ST LARGE CAPACITY OIL INTERCEPTOR WITH INTEGRAL STORAGE TANK <b>204</b></p> <p>Z1189 OIL/SEDIMENT INTERCEPTOR WITH HEAVY-DUTY GRATE <b>205</b></p> <p>Z1194 OIL LEVEL SENSOR RETROFIT KIT <b>206</b></p> <p>Z1196 OIL INTERCEPTOR WITH OIL LEVEL SENSOR <b>207</b></p> <p>Z1198 LARGE CAPACITY OIL INTERCEPTOR WITH OIL LEVEL SENSOR <b>208</b></p> <p>Z1198-ST LARGE CAPACITY OIL INTERCEPTOR WITH INTEGRAL STORAGE TANK AND OIL LEVEL FLOAT SENSOR <b>209</b></p> <p>Z1200 CARRIER TOOLS AND ACCESSORIES <b>214</b></p> <p>Z1201-N-XB EZCARRY® BARIATRIC CARRIER – 1000 LB ADJUSTABLE HORIZONTAL SIPHON JET – NO-HUB SERIES <b>220</b></p> <p>Z1201-N-XH EZCARRY® EXTRA HEAVY-DUTY 750 LB ADJUSTABLE HORIZONTAL SIPHON JET – NO-HUB SERIES <b>221</b></p> <p>Z1202-N-XB EZCARRY® BARIATRIC CARRIER – 1000 LB ADJUSTABLE VERTICAL SIPHON JET – NO-HUB SERIES <b>232</b></p> <p>Z1202-N-XH EZCARRY® EXTRA HEAVY-DUTY 750 LB ADJUSTABLE VERTICAL SIPHON JET – NO-HUB SERIES <b>233</b></p> <p>Z1203-H ADJUSTABLE HORIZONTAL SIPHON JET – HUB AND SPIGOT SERIES <b>238</b></p> <p>Z1203-N ADJUSTABLE HORIZONTAL SIPHON JET – NO-HUB SERIES <b>236</b></p> <p>Z1204-H ADJUSTABLE VERTICAL SIPHON JET – HUB AND SPIGOT SERIES <b>244</b></p> <p>Z1204-N ADJUSTABLE VERTICAL SIPHON JET – NO-HUB SERIES <b>246</b></p> <p>Z1207-N ADJUSTABLE HORIZONTAL HIGH ROUGH-IN SIPHON JET – NO-HUB <b>248</b></p> <p>Z1208-H VERTICAL SIPHON JET WATER CLOSET SUPPORT SYSTEM – HUB AND SPIGOT <b>250</b></p> <p>Z1208-N VERTICAL SIPHON JET WATER CLOSET SUPPORT SYSTEM – NO-HUB <b>249</b></p> <p>Z1209-N VERTICAL OFFSET SIPHON JET WATER CLOSET SUPPORT SYSTEM – NO-HUB <b>251</b></p> <p>Z1212 WALL CLOSET SUPPORT SYSTEM <b>253</b></p> <p>Z1213-N 4" VERTICAL SIPHON JET WATER CLOSET SUPPORT SYSTEM – 2" OR 4" TOP VENT CLOSET FITTING ONLY (NO SUPPORT) <b>254</b></p> <p>Z1216 90° DOUBLE NO-HUB SYSTEM FOR FLOOR MOUNTED BACK OUTLET WATER CLOSETS <b>255</b></p> <p>Z1217 COUPLING TYPE SYSTEM – WALL URINAL/SERVICE SINK <b>256</b></p> <p>Z1218 COUPLING TYPE SYSTEM – WALL URINAL/SERVICE SINK <b>257</b></p> <p>Z1221 PLATE TYPE SYSTEM – WALL URINALS <b>258</b></p> <p>Z1222 PLATE TYPE SYSTEM – WITH BEARING PLATE <b>258</b></p> <p>Z1223 PLATE TYPE SYSTEM – TROUGH URINALS <b>259</b></p> <p>Z1224 PLATE TYPE SYSTEM – LAVATORY WITH BACK <b>259</b></p> <p>Z1225 PLATE TYPE SYSTEM – WATER COOLERS <b>260</b></p> <p>Z1229 PLATE AND EXPOSED ARM – HEAVY SINKS <b>260</b></p> <p>Z1231 CONCEALED ARM SYSTEM – WALL LAVATORIES <b>261</b></p> <p>Z1236 EXPOSED ARM SYSTEM – WALL LAVATORIES/SINKS <b>263</b></p> <p>Z1251 CONCEALED ARM SYSTEM – WALL SUPPORTED <b>264</b></p> <p>Z1253 ADJUSTABLE CONCEALED ARM SYSTEM – WALL SUPPORTED <b>264</b></p> <p>Z1255 EXPOSED ARM SYSTEM – WALL SUPPORTED <b>265</b></p>
---	---

For additional product information, please visit [www.zurn.com](http://www.zurn.com)

## ALPHANUMERIC INDEX

Z1256 EXPOSED ARM SYSTEM – WALL SUPPORTED	266	Z1400 EXTRA HEAVY-DUTY "LEVEL-TROL" ADJUSTABLE FLOOR CLEANOUT	299	Z1749 12" X 12" SANI-FLOOR RECEPTOR WITH 4" SUMP DEPTH	329
Z1257 EXPOSED ARM SYSTEM – WALL SUPPORTED	266	Z1400-K HEAVY-DUTY "LEVEL-TROL" ADJUSTABLE FLOOR CLEANOUT WITH ANCHOR FLANGE	302	Z1750 12" X 12" SANI-FLOOR RECEPTOR WITH 6" SUMP DEPTH	330
Z1258 EXPOSED ARM SYSTEM – WALL SUPPORTED	267	Z1402 HEAVY-DUTY NON-ADJUSTABLE FLOOR CLEANOUT	303	Z1751 12" X 12" SANI-FLOOR RECEPTOR WITH 8" SUMP DEPTH	331
Z1259 PLATE SYSTEM – WALL SUPPORTED	268	Z1404 HEAVY-DUTY FLOOR ACCESS HOUSING	304	Z1752 12" X 12" SANI-FLOOR RECEPTOR WITH 10" SUMP DEPTH	332
Z1280 WOOD STUD SUPPORTED WATER CLOSET CARRIER – NO-HUB	269	Z1406 HEAVY-DUTY ADJUSTABLE SPIGOT CLEANOUT	304	Z1755 13-3/8" SQUARE SANI-FLOOR RECEPTOR 6" SUMP WITH ADJUSTABLE CLAMP FRAME	333
Z1282 WOOD STUD SUPPORTED WATER CLOSET CARRIER – HUB AND SPIGOT	269	Z1440 CLEANOUT FERRULE WITH PLUG	305	Z1761 24-5/16" SQUARE KETTLE DRAIN WITH 8" SUMP DEPTH	333
Z1283 WOOD STUD SUPPORTED WATER CLOSET CARRIER – PLASTIC PIPE	270	Z1445 CLEANOUT TEE	306	Z1762 25" X 15-1/2" KETTLE DRAIN	334
Z1284 CONCRETE FLOOR SUPPORTED WATER CLOSET CARRIER	270	Z1446 CLEANOUT WITH ROUND WALL ACCESS COVER	306	Z1763 37-9/16" X 22-7/8" KETTLE DRAIN	335
Z1285 WOOD STUD SUPPORTED WATER CLOSET CARRIER	271	Z1449 CLEANOUT FERRULE WITH PLUG	307	Z1800-6B 6" DIAMETER INDUSTRIAL FLOOR DRAIN 4-19/32" SUMP DEPTH	339
Z1290 EASTERN STYLE WATER CLOSET	272	Z1454 ADJUSTABLE FLOOR CLEANOUT WITH FLASHING FLANGE	307	Z1800-8B 8" DIAMETER INDUSTRIAL FLOOR DRAIN 6" SUMP DEPTH	340
Z1300 ECOLOTROL WALL HYDRANT – ENCASED, NON-FREEZE, ANTI-SIPHON, AUTOMATIC DRAINING	275	Z1456 DECK CLEANOUT	308	Z1800-8S 8" X 8" INDUSTRIAL FLOOR DRAIN 6" SUMP DEPTH	340
Z1305 WALL HYDRANT – ENCASED, NON-FREEZE	275	Z1457 FLOOR ACCESS COVER	308	Z1800-12B 12" DIAMETER INDUSTRIAL FLOOR DRAIN 6" SUMP DEPTH	341
Z1310 ECOLOTROL WALL HYDRANT – EXPOSED, NON-FREEZE, ANTI-SIPHON, AUTOMATIC DRAINING	276	Z1460 SQUARE WALL ACCESS PANEL	309	Z1800-12S 12" X 12" INDUSTRIAL FLOOR DRAIN 6" SUMP DEPTH	341
Z1315 WALL HYDRANT – EXPOSED, NON-FREEZE	276	Z1461 SQUARE HINGED ACCESS PANEL	309	Z1810-6B 6" DIAMETER ADJUSTABLE INDUSTRIAL FLOOR DRAIN	342
Z1320XL ECOLOTROL CERAMIC DISC WALL HYDRANT – ENCASED, NON-FREEZE, ANTI-SIPHON, AUTOMATIC DRAINING	277	Z1462 SECURED WALL ACCESS PANEL	310	Z1810-8B 8" DIAMETER ADJUSTABLE INDUSTRIAL FLOOR DRAIN	342
Z1321XL ECOLOTROL CERAMIC DISC WALL HYDRANT – EXPOSED, NON-FREEZE, ANTI-SIPHON, AUTOMATIC DRAINING	278	Z1463 ROUND SCORIATED ACCESS COVER	310	Z1810-8S 8" X 8" ADJUSTABLE INDUSTRIAL FLOOR DRAIN	343
Z1325 WALL HYDRANT – ENCASED, VARI-TEMP, NON-FREEZE	280	Z1464 WATER SUPPLY CONTROL BOX ASSEMBLY	311	Z1810-12B 12" DIAMETER ADJUSTABLE INDUSTRIAL FLOOR DRAIN	343
Z1330XL ECOLOTROL CERAMIC DISC WALL HYDRANT – ENCASED, ANTI-SIPHON, AUTOMATIC DRAINING, MODERATE CLIMATE	281	Z1468 ACCESS COVER AND PLUG	311	Z1810-12S 12" X 12" ADJUSTABLE INDUSTRIAL FLOOR DRAIN	344
Z1333XL ECOLOTROL CERAMIC DISC WALL HYDRANT – EXPOSED, ANTI-SIPHON, AUTOMATIC DRAINING, MODERATE CLIMATE	282	Z1469 ROUND ACCESS COVER	312	Z1820-8B 8" DIAMETER INDUSTRIAL FLOOR DRAIN WITH SIDE OUTLET	344
Z1335 WALL HYDRANT – ENCASED, MODERATE CLIMATE	282	Z1470 BRONZE CLEANOUT PLUG	312	Z1820-8S 8" X 8" INDUSTRIAL FLOOR DRAIN WITH SIDE OUTLET	345
Z1350 NARROW WALL HYDRANT – ENCASED, MODERATE CLIMATE	283	Z1471 AIR INLET	313	Z1820-12B 12" DIAMETER INDUSTRIAL FLOOR DRAIN WITH SIDE OUTLET	345
Z1360XL GROUND HYDRANT – ENCASED, FLUSH TYPE, NON-FREEZE	284	Z1474 HEAVY-DUTY CLEANOUT HOUSING	313	Z1820-12S 12" X 12" INDUSTRIAL FLOOR DRAIN WITH SIDE OUTLET	346
Z1365 GROUND HYDRANT – ENCASED, FLUSH TYPE, NON-FREEZE	285	Z1700 SHOKTROLS	316	Z1830-8B 8" DIAMETER INDUSTRIAL FLOOR DRAIN 8" SUMP DEPTH	346
Z1370 GROUND HYDRANT – ENCASED, HOSE STORAGE, NON-FREEZE	286	Z1712 ACCUMUTROL	316	Z1830-8S 8" X 8" DIAMETER INDUSTRIAL FLOOR DRAIN 8" SUMP DEPTH	347
Z1375 GROUND HYDRANT – ENCASED, MODERATE CLIMATE, INTERIOR USE	287	Z1715 15" DIAMETER ROOF DRAIN	319	Z1830-12B 12" DIAMETER INDUSTRIAL FLOOR DRAIN 8" SUMP DEPTH	347
Z1385 POST HYDRANT – EXPOSED HEAD, NON-FREEZE	287	Z1717 SCUPPER DRAIN	319	Z1830-12S 12" X 12" INDUSTRIAL FLOOR DRAIN 8" SUMP DEPTH	348
Z1388XL ROOF HYDRANT – EXPOSED HEAD, NON-FREEZE	288	Z1720 4" X 8" OPEN SIGHT DRIP DRAIN	320	Z1840-6B 6" DIAMETER INDUSTRIAL FLOOR CLEANOUT	348
Z1390 POST HYDRANT – EXPOSED HEAD, NON-FREEZE	288	Z1721 6" X 12" OPEN SIGHT DRIP DRAIN	320	Z1840-6S 6" X 6" INDUSTRIAL FLOOR CLEANOUT	349
Z1395XL YARD HYDRANT – EXPOSED HEAD, NON-FREEZE	289	Z1724 ROUND FUNNEL	321	Z1840-8B 8" DIAMETER INDUSTRIAL FLOOR CLEANOUT	349
Z1397XL FLO-TROL YARD HYDRANT – EXPOSED HEAD, NON-FREEZE	290	Z1725 OVAL FUNNEL	321	Z1840-8S 8" X 8" INDUSTRIAL FLOOR CLEANOUT	350
		Z1726 ADJUSTABLE MEDIUM DUTY FLOOR DRAIN WITH ROUND TOP	322		
		Z1727 ADJUSTABLE MEDIUM DUTY FLOOR DRAIN WITH SQUARE TOP	323		
		Z1730 9" DIAMETER HEAVY-DUTY SHALLOW TYPE FLOOR DRAIN	324		
		Z1731 9" DIAMETER HEAVY-DUTY MEDIUM DEPTH FLOOR DRAIN	324		
		Z1732 9-5/8" DIAMETER HEAVY-DUTY ADJUSTABLE FLOOR DRAIN	325		
		Z1735 12" DIAMETER HEAVY-DUTY FLOOR DRAIN	325		
		Z1736 12" DIAMETER EXTRA HEAVY-DUTY FLOOR DRAIN	326		
		Z1737 15" DIAMETER EXTRA HEAVY-DUTY FLOOR DRAIN	326		
		Z1739 PIT DRAIN	327		
		Z1740 BACKWATER VALVE	327		
		Z1745 FLOOR CLEANOUT WITH O-RING SEAL PLUG	328		

## ALPHANUMERIC INDEX

INTRO	Z1900 12" X 12" A.R.E. SANI-FLOR RECEPTOR WITH 6" SUMP DEPTH	<b>353</b>
ROOF DRAINS	Z1901 12" X 12" A.R.E. SANI-FLOR RECEPTOR WITH 8" SUMP DEPTH	<b>355</b>
	Z1902 12" X 12" A.R.E. SANI-FLOR RECEPTOR WITH 10" SUMP DEPTH	<b>357</b>
FLOOR DRAINS	Z1910 8" X 8" A.R.E. SANI-FLOR RECEPTOR WITH 6" SUMP DEPTH	<b>359</b>
	Z1920 16" X 16" A.R.C. SANI-FLOR RECEPTOR WITH 7" SUMP DEPTH	<b>361</b>
	Z1926 16" X 16" A.R.C. SANI-FLOR RECEPTOR WITH 12" SUMP DEPTH	<b>362</b>
T, P, BW VALVES	Z1930 8" X 4" A.R.C. SANI-FLOR RECEPTOR WITH 4" SUMP DEPTH	<b>363</b>
	Z1940 12" X 6" A.R.C. SANI-FLOR RECEPTOR WITH 8" SUMP DEPTH	<b>364</b>
INTERCEPTORS	Z1950 12" DIAMETER A.R.E. SANI-FLOR RECEPTOR WITH 8" SUMP DEPTH	<b>365</b>
	Z1960 8" DIAMETER A.R.E. SANI-FLOR RECEPTOR WITH 6" SUMP DEPTH	<b>366</b>
	Z1970 9" DIAMETER SHALLOW A.R.C. SANI-FLOR RECEPTOR WITH 3" SUMP DEPTH	<b>367</b>
CARRIERS	Z1982 12" X 12" STAINLESS STEEL SANI-FLOR CAN WASH DRAIN WITH 8" SUMP DEPTH	<b>368</b>
	Z1995 24" X 16" A.R.C. SANI-FLOR RECEPTOR WITH 17" SUMP DEPTH	<b>368</b>
HYDRANTS	ZF110-R 15" GREEN ROOF BOX - PERFORATED SCREEN ASSEMBLY	<b>38</b>
	ZF110-S GREEN ROOF BOX - PERFORATED SCREEN ASSEMBLY, REMOVABLE COVER	<b>39</b>
CLEANOUTS	ZF199 CHAMELEON DOWNSPOUT NOZZLE WITH FLAPPER	<b>60</b>
	ZF7000 FLOW SENSOR	<b>62</b>
	ZN1209-N VERTICAL OFFSET SIPHON JET - NO-HUB NARROW WALL SYSTEM	<b>252</b>
WHA	ZS400 "TYPE BS" ROUND STRAINER WITH SLOTTED OPENINGS	<b>74</b>
	ZS400 "TYPE SS" SQUARE STRAINER	<b>80</b>
	ZS415 BODY ASSEMBLY WITH "TYPE BS" STRAINER	<b>92</b>
	ZS415 BODY ASSEMBLY WITH "TYPE SS" STRAINER	<b>106</b>
SS DRAINS	ZS880 STAINLESS STEEL LINEAR SHOWER DRAIN	<b>11</b>
	ZS880 STAINLESS STEEL LINEAR SHOWER DRAIN	<b>338</b>
	ZS1170 GREASE INTERCEPTOR STAINLESS STEEL	<b>182</b>
FAB SS DRAINS	ZURN BARIATRIC PROVIDES SUPERIOR PERFORMANCE	<b>19</b>
SANI-FLOR		

For additional product information, please visit [www.zurn.com](http://www.zurn.com)

NOTES

INTRO

ROOF DRAINS

FLOOR DRAINS

T, P, BW VALVES

INTERCEPTORS

CARRIERS

HYDRANTS

CLEANOUTS

W/H

SS DRAINS

FAB SS DRAINS

SANI-FLOOR

TECH INFO

# GENERAL TERMS AND CONDITIONS

## PRICE AND TERMS OF PAYMENT

Terms are net, payable 30 days from date of invoice. All pricing in U.S. currency. The Buyer shall pay all sales, consumers, or other applicable taxes. A 1-1/2% monthly (18% annual) service charge will be added to the outstanding balance of all past due invoices.

Minimum invoice \$250.00. Zurn Industries, LLC ("Zurn") reserves the right to apply a minimum order charge in order to meet the \$250.00 minimum invoice requirement. All orders are subject to credit approval by the Zurn Credit Department prior to the acceptance of an order. Orders may be refused, delivery may be withheld, or shipment stopped in transit without any liability on Zurn's part at Zurn's sole discretion based upon Buyer's credit worthiness as determined by Zurn.

## FREIGHT

All sales are F.O.B. seller's location. Zurn will allow full freight allowance when any of the following conditions are met: 1) Plumbing fixture only orders totaling \$10,000 or more; 2) Zurn One System orders of \$7,500 or more; 3) Any combination of Specification Drainage, Commercial Drainage, Finish Plumbing, Zurn Wilkins, Linear Drainage and Chemical Drainage orders of \$5,000 or more; 4) Commercial Drainage only orders totaling \$3,500 or more; or 5) PEX only orders totaling \$3,000 or more. This full freight allowance applies when the shipment is within the continental United States and has a single destination of a Buyer's standard address or job location. Routing of shipment shall be determined at the sole direction of Zurn. Shipping dates are estimates and time of delivery shall not be of the essence of this sale contract. Under no circumstances will the Seller have any responsibility on account of any delays in manufacture, transportation, or otherwise. Terms of Export Shipment on application.

**NOTE:** Shipments in excess of 90" long or 3,000 lbs may be subject to additional charges, and shall be defined as an oversized and/or overweight product and Zurn's standard FFA terms may not apply. Please contact our Customer Service Department for guidance on potential additional shipping charges. This new policy supersedes any existing agreements.

These charges and restrictions apply in addition to Zurn standard terms and conditions for sale unless otherwise agreed upon by the parties.

## LIMITED WARRANTY

Zurn goods sold hereunder are warranted to be free from defects in material and factory workmanship for the period of time from the date of purchase: AquaVantage® Flush Valves, AquaFlush® Flush Valves, Commercial Fixtures, Faucets, Showers, and Tubular Brass: three years; Chemical Drainage, Linear Drainage, Commercial Drainage, Specification Drainage, Zurn Wilkins, and Flush Valve, Faucets, and Tubular Brass decorative finishes: one year; PHIX® Cartridge: ten years; FOG-ceptor®: thirty years. Where permitted by law, **THE IMPLIED WARRANTY OF MERCHANTABILITY IS LIMITED TO THE ABOVE IDENTIFIED PERIOD OF TIME AND SHALL BE LIMITED SOLELY TO THE REPLACEMENT OF THE DEFECTIVE GOODS.** A damaged/broken test cock or ball valve is not considered defective. Please contact Zurn Customer Care for assistance.

Zurn will replace goods at no cost that prove defective provided Zurn is notified in writing of such defect and the goods are returned prepaid at the specified Zurn location with evidence that they have been properly maintained and used in accordance with instructions. **ZURN SHALL NOT BE RESPONSIBLE FOR ANY LABOR CHARGES OR ANY LOSS, INJURY, OR DAMAGES WHATSOEVER, INCLUDING, BUT NOT LIMITED TO, INCIDENTAL OR CONSEQUENTIAL DAMAGES.** The sole and exclusive remedy shall be limited to the replacement of the defective goods. Before installation and use, the purchaser shall determine the suitability of the product for his intended use and the purchaser assumes all risk and liability whatever in the connection therewith. All weights stated in Zurn catalogs and lists are approximate and are not guaranteed.

## RETURNED GOODS

Standard cataloged material may be returned only with written permission of Zurn. Returned goods are subject to a 25% restocking charge of total

saleable material returned, plus cost of reconditioning, if necessary, to make material sellable. Transportation charges are the responsibility of the Buyer. Credit allowance will be in the form of merchandise credit only – not cash credit. The value of the return must total at least \$100.00 to qualify for credit allowance. No credit will be allowed for parts unless originally ordered and invoiced as parts. No credit will be allowed for discontinued or made-to-order items. Items that have been specially made are not subject to return or cancellation except by special negotiation. Material must be returned within one year of invoice date for credit to be issued for Chemical Drainage, Linear Drainage, and Commercial Drainage. Material must be returned within two years of invoice date for credit to be issued for Commercial Fixtures, Flush Valve Products, Specification Drainage, Tubular Brass, and Zurn Wilkins. No credit is allowed for Linear Drainage products that have been cut and Specification Drainage product with auxiliary tappings. Flush Valve material over two years old will be subject to a 50% handling charge. Flush Valve material over five years old will not be accepted. Commercial Drainage and Specification Drainage galvanized material will be credited at value of Dura-Coated cast iron, and chrome plated at value of bronze. Zurn Wilkins damaged/broken test cocks or ball valves are not considered defective.

## ILLUSTRATIONS OF TYPICAL INSTALLATIONS

The typical installations for various products found in each product section are intended to illustrate the products and potential options for the use of these products. Under no circumstances are they to be construed as recommended installation procedures. Consult local codes and project specifications for proper installation instructions.

## SHORTAGE/DAMAGE CLAIMS

Notification of material shortages or incorrect filling of orders must be made to Zurn within 10 days of receipt. No claims over three months old will be honored. Buyer agrees to make all complaints for damage in transit or "short count" directly to the carrier; before the contents are unloaded have the carrier agent's acknowledgment of such damage noted on the bill of lading and to present to the carrier its agent's acknowledgment of such damaged material with formal claim covering said damage.

## GENERAL

Zurn reserves the right to make changes in design or equipment of any item or product without incurring any obligation on previously sold items, and to discontinue items at any time, without notice. Possession of this Catalog or other sales literature is not to be construed as an offer to sell. All orders are subject to acceptance by Zurn. Catalog printed in U.S.A.

Zurn flush valves are designed to comply with Army Corp of Engineers and Naval guide specifications, Military Specification MIL.V.29193 and Federal Specification WWP541.

Zurn flush valves comply with the following standards: ASME A112.18.1/CSA B125.1, A112.19.5, A112.19.2, A112.19.6, ASSE 1037 and 101 are listed by the following agencies: Canadian Standards, IAPMO/UPC/CUPC, and CSA 125.3. Zurn flush valves are manufactured from dezincification resistant alloys. For additional compliances, contact Zurn Industries, LLC, Finish Plumbing Operation, or 1-800-997-3876.

Zurn is not responsible for typographical errors. The contents of this guide are subject to revision without notice.

© 2018 Zurn Industries, LLC Items in this Guide are covered by Patents and Patents Pending. Registered Trademarks.

**Zurn Industries, LLC** Specification Drainage Operation  
1801 Pittsburgh Avenue  
Erie, PA 16502, 855.663.9876

In Canada

**Zurn Industries Limited**  
7900 Goreway Drive, Unit 10  
Brampton, ON L6T 5W6, 877.892.5216

[ZURN.COM](http://ZURN.COM) [US 1.855.ONE.ZURN](tel:1855.ONE.ZURN) [CANADA 1.877.892.5216](tel:1.877.892.5216)

