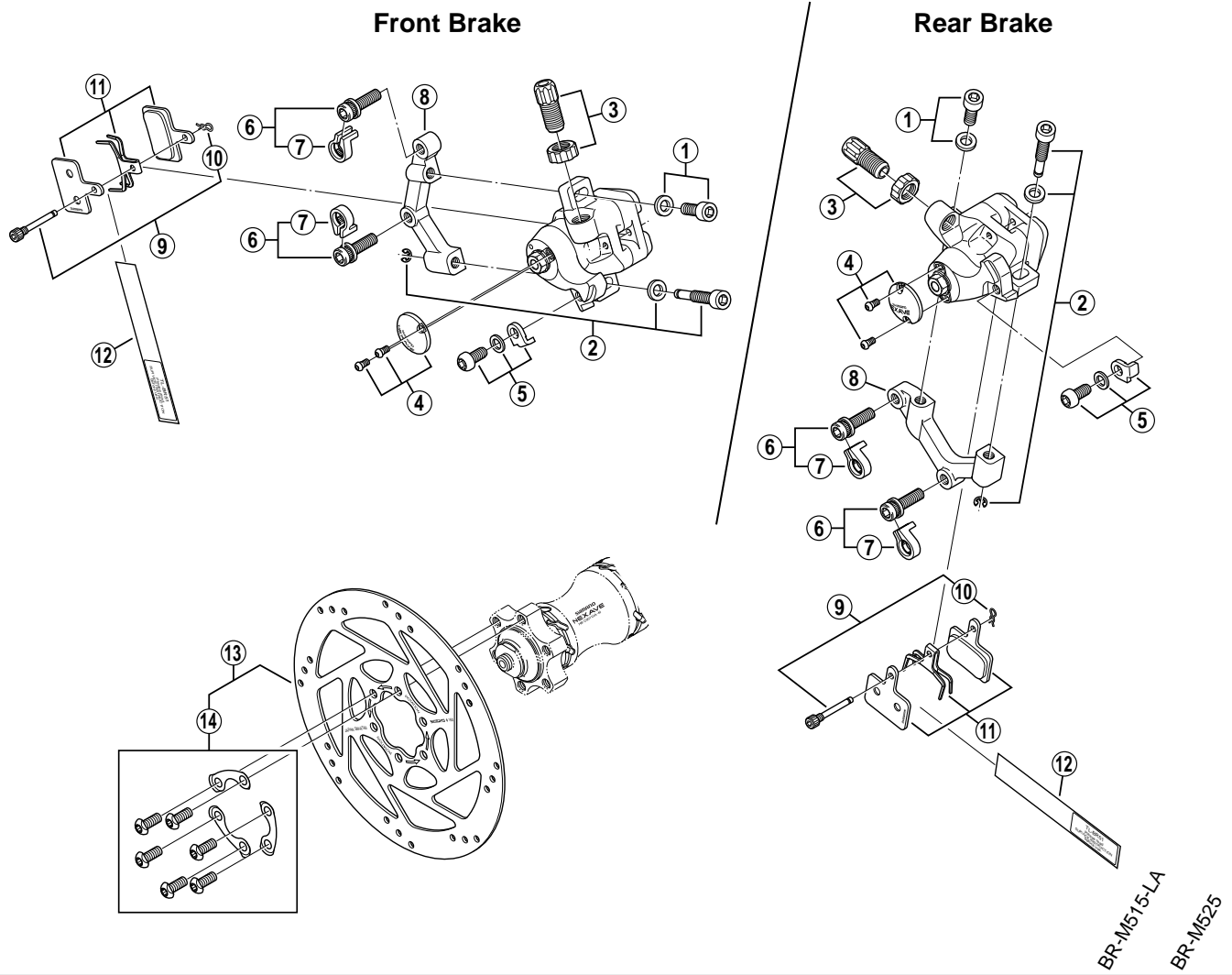


SHIMANO NEXAVE Disc Brake

BR-C601 Brake Caliper
SM-RT60 Disc Rotor



BR-M515-LA
 BR-M525

ITEM NO.	SHIMANO CODE NO.	DESCRIPTION	INTERCHANGEABILITY
1	Y-8B6 98020	Caliper Fixing Bolt B (M6 x 15) & Washer	A
2	Y-8B6 98030	Caliper Fixing Bolt Unit	A
3	Y-8B6 98040	Cable Adjusting Bolt & Nut	A
4	Y-8C4 98020	Arm Cap & Fixing Bolts (M3 x 6)	B
5	Y-8GP 98020	Cable Fixing Bolt Unit (M6 x 11.5)	A
6	Y-8C4 98010	Adapter Fixing Bolt (M6 x 20) & Stop Ring	A A
7	Y-8C5 11000	Stop Ring	A
8	Y-8B6 18100	Adapter for Front	B
	Y-8B6 24100	Adapter for Rear	B
9	Y-8B6 98050	Pad Axle & Snap Ring	A
10	Y-8B2 12000	Snap Ring	A
11	Y-8B6 98010	Pad & Spring	A
12	Y-8B6 98060	Spacer (TL-BR51)	A
13	Y-8HZ 98010	Disc Rotor Unit (φ160 mm)	A A
14	Y-818 98030	Disc Rotor Fixing Bolt & Plate	A A

A : Same parts.

B : Parts are usable, but differ in materials, appearance, finish, size, etc.

Absence of mark indicates non-interchangeability.

0108-2078A

Specifications are subject to change without notice.

SHIMANO[®]



© 2001 by Shimano Inc.