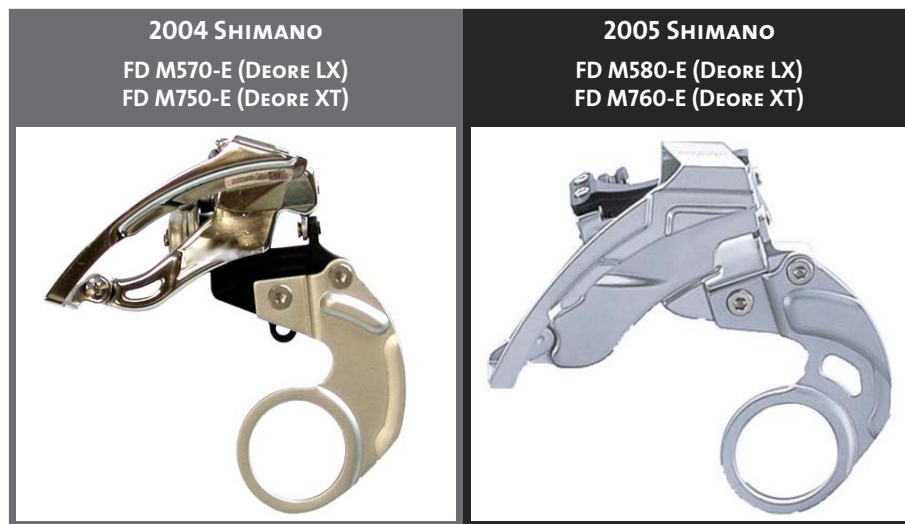






#### Set Up Information-Due to changes made by Shimano for the 2005 model year.

It is necessary to follow Cannondale's recommended front derailleur setup. Depending on the model and year of your front derailleur set up will differ.

- Set the Rear Shock into the FR Position-** The FR shock position will mimic the position of the chain as it will be when the bike is ridden. When in the XC position, the chain may rest to low to catch the shift ramps on the inner and out plate of the front derailleur. This will not be an issue when the bike is ridden.
- Crank and BB Installation -** For general installation instructions, required tools, and torque spec's, read the crank manufacturer's instruction manual. See linked PDF's.
- Spacers and O-Ring Placement -** Determine the model and year of you front derailleur and use the appropriate arrangement of the spacers and O-rings per Cannondale recommendation. This set up may vary from the crank manufacturer instructions.

4. Both derailleurs must be mounted in the lower plate position.



PDF*	CRANK	SEE FIGURE FOR BB SET UP	SEE FIGURE FOR BB SET UP	PROPHET
	<b>TRUVATIV BLAZE</b> (w/ BB-GPSL 113/68E)	<b>A</b>	<b>B</b>	<b>600</b> (5EV6)
	<b>TRUVATIV FIREX SL</b> (w/ BB-GPSL 113/68E)			<b>800</b> (5EV8)
	<b>TRUVATIV STYLO GXP</b> (w/ Giga X Pipe BB)	<b>C</b>	<b>D</b>	<b>1000</b> (5EV1)
	<b>SHIMANO XT</b> (w/Hollowtech II BB)	<b>E</b>	<b>F</b>	<b>2000</b> (5EV2)
	<b>FSA K-FORCE</b> (w/Mega Exo BB-9000)	<b>G</b>	<b>H</b>	<b>4000</b> (5EV4)

\* For convenience the PDF links above link directly to actual documents hosted on the manufacturer's website.

You can also access the manuals through the following main pages: [www.shimano.com](http://www.shimano.com), [www.truvativ.com](http://www.truvativ.com), [www.fullspeedahead.com/](http://www.fullspeedahead.com/)

#### CANNONDALE USA (CUSA)

Cannondale Bicycle Corporation  
172 Friendship Road  
Bedford, Pennsylvania 15522  
(Voice): 1-800-BIKEUSA  
(Fax): 814-623-6173  
custserv@cannondale.com  
URL: <http://www.cannondale.com>

#### CANNONDALE AUSTRALIA (CA)

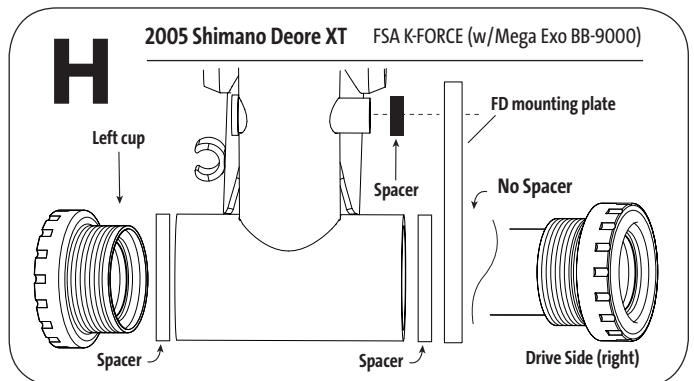
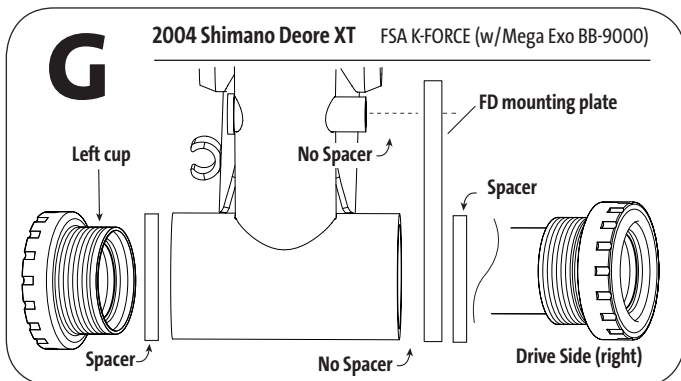
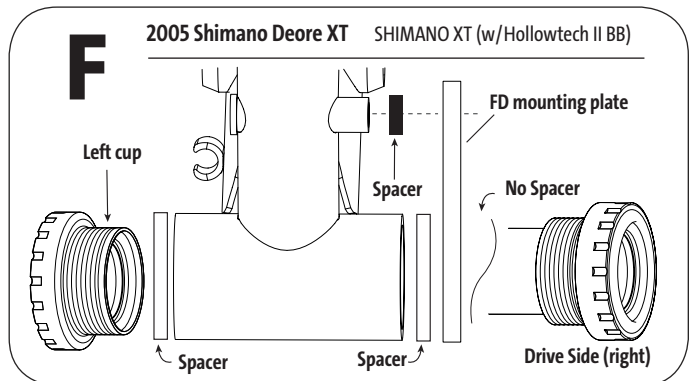
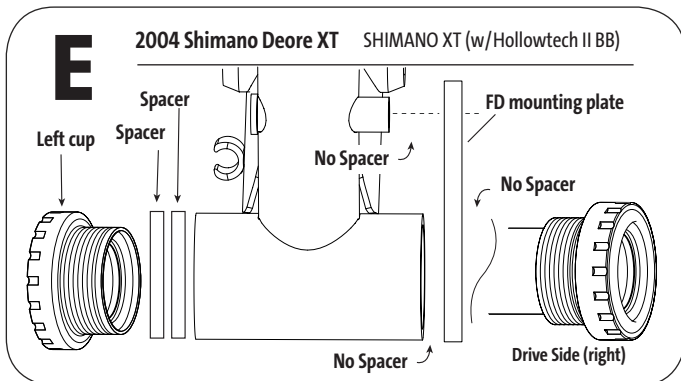
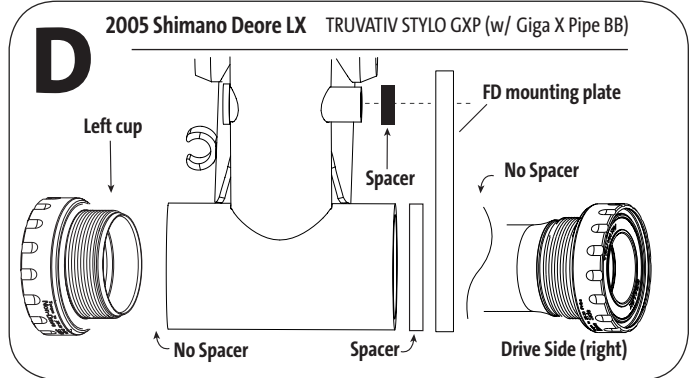
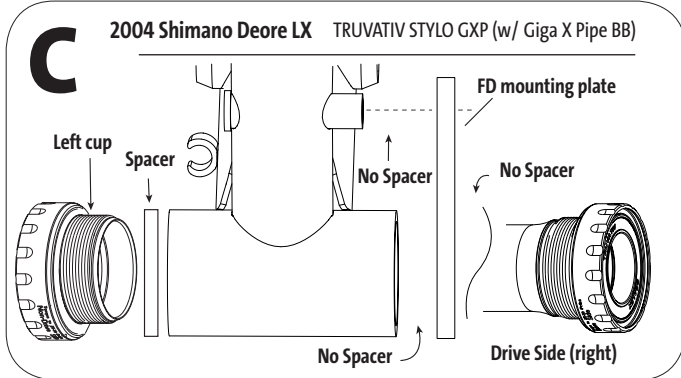
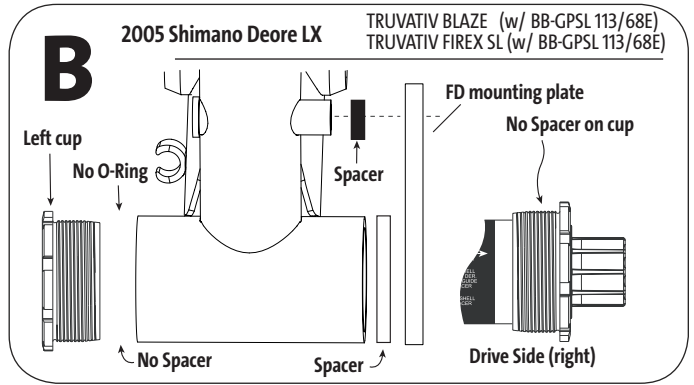
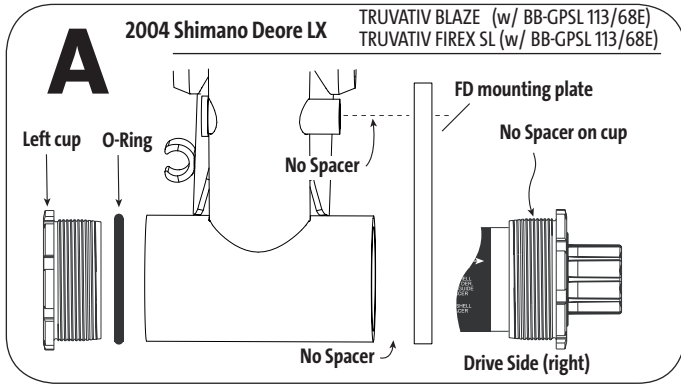
Unit 6, 4 Prosperity Parade  
Warriewood N.S.W 2102  
Australia  
Phone(02)9979 5851  
Fax(02)9979 5688  
cannondaleaustralia@cannondale.com

#### CANNONDALE JAPAN (CJ)

12-5 Harayamadai  
5-cho Sakai City  
Osaka, Japan 590-0132  
(Voice): 011.81.722.99.9399  
(Fax): 0722-93-6166  
cjcustserv@cannondale.com

#### CANNONDALE EUROPE (CE)

mail: Postbus 5100  
visits: Hanzepoort 27  
7570 GC Oldenzaal  
Netherlands  
(Voice): +31 541 573580  
(Fax): 31-5415-14240  
servicedeskeurope@cannondale.com



Use only the Spacers and O-Rings included with the specific bottom bracket or front derailleur.

DO NOT SUBSTITUTE, INTERCHANGE, OR MODIFY PARTS OR FRAME.