

Engineering the Science of Geometry

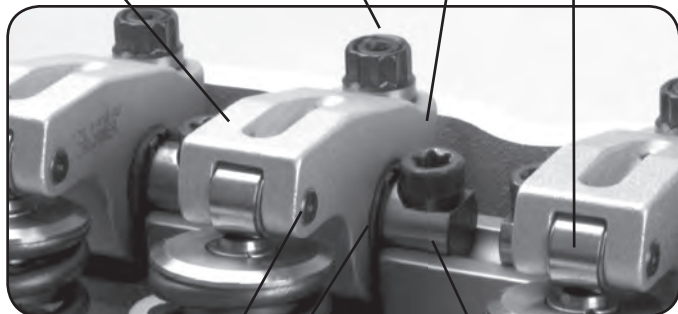
Anatomy of a CROWER ROCKER

Our lash adjusters are machined from aircraft quality Hi-temp alloy, precision thread rolled after double heat treat process.

Our 2024 aluminum bodies deliver maximum strength at operating temperature.

Aircraft quality 12 point nuts.

Hardened tip wheel withstands race rigors and minimizes scrubbing.



Fully rollerized precision needle bearing fulcrum.

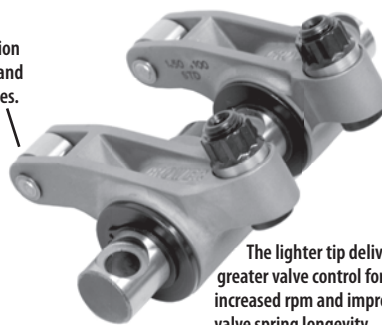
Crower shafts are CNC precision machined from ball race alloy steels, heat-treated twice and micro finish ground in-house.

Our Axles are "super secured" for trouble free operation.

Needle Bearing Tip Option

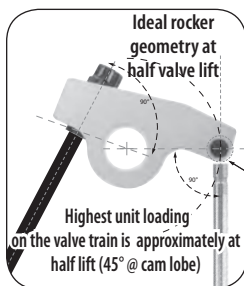
Crower has raised the bar on valve train technology with a new needle bearing roller tip option available on all new Crower stud and shaft mount rocker arm assemblies.

Specify #73715R after rocker part number for stainless steel, #72915R for aluminum.



Reduced friction for added horsepower and reduced valve guide and valve stem wear.

The lighter tip delivers greater valve control for increased rpm and improves valve spring longevity by decreasing heat over traditional non needle designs.

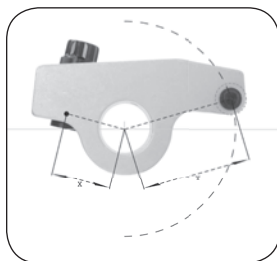


Ideal rocker geometry at half valve lift

Highest unit loading on the valve train is approximately at half lift (45° @ cam lobe)

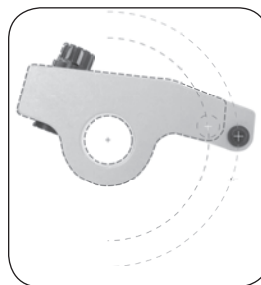
This configuration minimizes tip travel across the valve stem and keeps contact centered on top of the valve, reducing frictional losses due to valve guide side loading and tip scrubbing. Pushrod deflection is also minimized for more accurate valve action.

Rocker Ratio



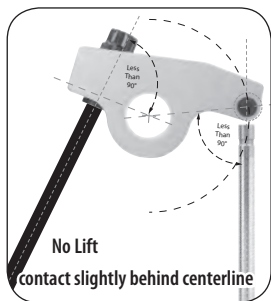
Rocker arm ratio is determined by dividing the distance from the fulcrum to the tip centerpoints (Y) by the distance from the fulcrum to the pushrod seat centerpoints (X). This theoretical ratio may vary from our net/advertised ratio due to measured valve train deflection under load.

Long Arm



Higher rocker ratios require extending the arm of the rocker. Long arm rockers allow proper pushrod seat positioning in relation to the fulcrum point. An additional long arm benefit is reduced back and forth tip travel across the valve stem. Less scrubbing and valve stem side loading occur and associated frictional losses are minimized.

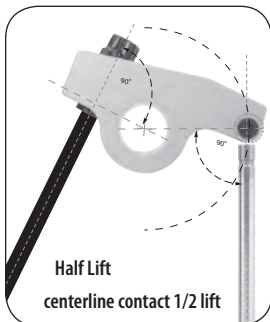
Tip Travel



No Lift

contact slightly behind centerline

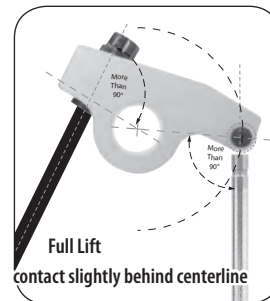
When the valve is closed tip contact is slightly behind the centerline of the valve.



Half Lift

centerline contact 1/2 lift

At highest unit loading (approx. 1/2 lift) tip contact ideally is on the centerline of the valve. The valve train is overcoming spring pressure and, more importantly, rapidly accelerating its mass. To minimize deflection, side loading and frictional loss, we want the valve train geometry in its strongest and straightest configuration at this point.

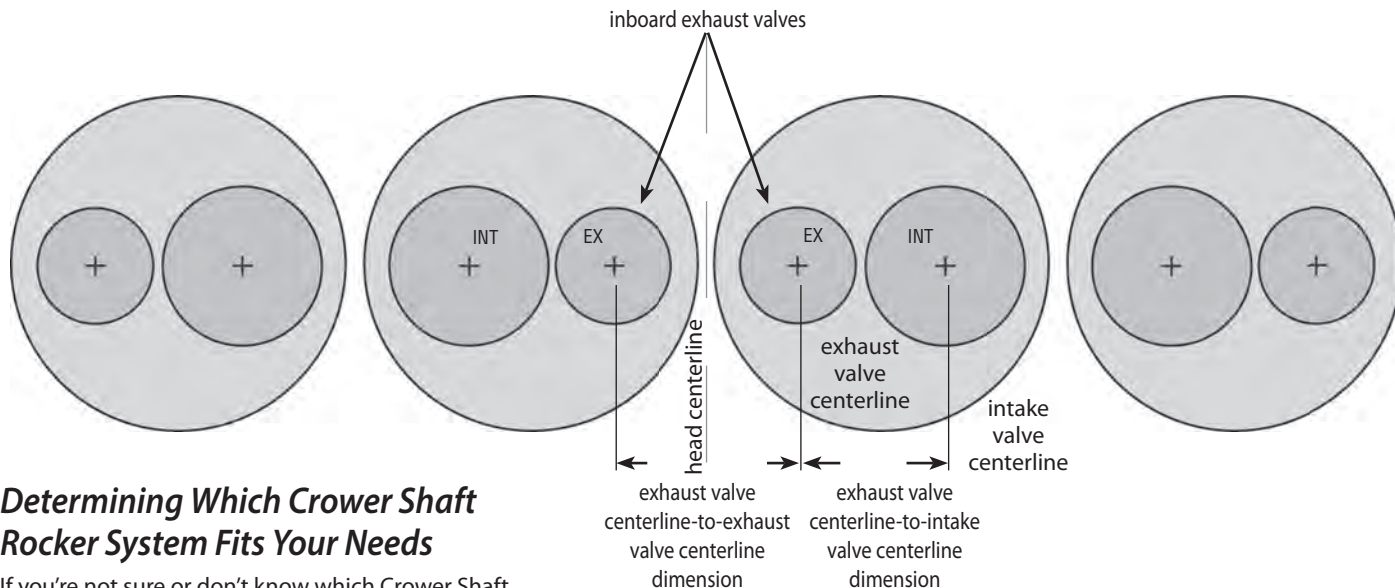


Full Lift

contact slightly behind centerline

When the valve is fully open, tip contact is slightly behind the centerline of the valve. The valve train in this position (at high RPM) feels the least amount of unit loading as float approaches...everything gets momentarily weightless.

Useful Ordering Information



Determining Which Crower Shaft Rocker System Fits Your Needs

If you're not sure or don't know which Crower Shaft Rocker System will fit your cylinder head and need help, follow these simple procedures:

1. You'll need to provide us with some critical information and dimensions.
 - a. Cylinder head manufacturer
 - b. Engine type
 - c. Intake and exhaust valve distances from cylinder head centerline.
 - d. Rocker stud spacing from cylinder head centerline.

Here's how you do it.

Measure the distance from the outside diameter of the two inboard exhaust valves. Record the value. Subtract the diameter of the valve (Example: .341) from your recorded value and divide this measurement by 2. Now you'll know the distance from the cylinder head centerline to exhaust valve centerline.

Now measure the distance from the outside of the intake valve to the outside diameter of the exhaust valve diameter. Subtract .341" from that to get the centerline distance from exhaust to intake valve.

Note: .341" diameter is based on 11/32" intake and exhaust valves. Some cylinder heads have different size intake stems. Make sure you measure valve stem size before measuring valve centerline.

2. Follow the same procedure for the studs.
3. Supply us the dimensions and we'll take it from there!

Rocker Body Identification

To order replacement rockers and insure correct fit you'll need to provide your Crower technician with the following info.

Rocker Bodies without I.D. numbers:

- Rocker arm Ratio
- Rocker arm Offset
- Which valve the rocker actuates (intake or exhaust)
- Which cylinder the rocker is mounted on (2,4,6,8-1,3,5,7, etc.)
- Name/brand of cylinder head
- Stand Number
- Shaft Diameter

Rocker Bodies with I.D. numbers:

- Rocker arm Body I.D. number
- Rocker arm Ratio
- Rocker arm Offset
- Stand Number
- Shaft Diameter

Aluminum Stud Mount Rockers



Ratio and Offset Locations

Stainless Stud Mount Rockers



Aluminum Shaft Mount Rockers



Stainless Shaft Mount Rockers



Stainless Steel Stud Mounted Rockers

Steel billet rockers available for all popular applications.

ENDURO LONG ARM/BACKSET ROLLERIZED ROCKERS



Crower's Long Arm/Backset trunnion rollerized rockers are made to the same high tolerances as our standard stainless steel rocker arms with a .090" backset trunnion and these added features:

- Increased area under the lift curve
- Additional spring clearance (1.650")
- Smoother valve action
- Less side loading on stems/guides
- Drop on installation
- Set of 8 for intake (use standard Crower stainless steel rockers on exhaust)

Part#	Description	Ratio	Stud
73677-8	Chevrolet 265-400 V8	1.5	7/16
73674-8	Chevrolet 265-400 V8	1.6	7/16
73672-8	Chevrolet 265-400 V8	1.65	7/16
73673-8	Chevrolet 265-400 V8	1.7	7/16
73676-8	Chevrolet 265-400 V8	1.75	7/16
73675-8	Chevrolet 265-400 V8	1.8	7/16
73678-8	Chevrolet 265-400 V8	1.85	7/16

Note: May be purchased as mixed ratios intake and exhaust. Can be ordered N.S. without sure-locks

ENDURO CENTERLINE ROLLERIZED ROCKERS

When installing a .100" long valve, the rocker arm tip must be backed up .050" to insure centerline contact at half lift. Crower offsets the rocker stud hole in the trunnion, pulling the rocker tip back into correct alignment with the valve stem. Re-establishing correct geometry reduces valve guide wear and promotes more accurate valve timing.



Part#	Description	Ratio
73690-8	Chevrolet 265-400 .050 backset	1.5
73691-8	Chevrolet 265-400 .050 backset	1.55
73692-8	Chevrolet 265-400 .050 backset	1.6
73693-8	Chevrolet 265-400 .050 backset	1.65
73694-8	Chevrolet 265-400 .050 backset	1.7
73696-8	Chevrolet 265-400 .050 backset	1.75
73695-8	Chevrolet 265-400 .050 backset	1.8
73682-8	Chevrolet 396-454 .050 backset	1.65
73683-8	Chevrolet 396-454 .050 backset	1.7
73684-8	Chevrolet 396-454 .050 backset	1.75
73685-8	Chevrolet 396-454 .050 backset	1.8
73686-8	Chevrolet 396-454 .090 backset	1.65
73687-8	Chevrolet 396-454 .090 backset	1.7
73688-8	Chevrolet 396-454 .090 backset	1.75
73689-8	Chevrolet 396-454 .090 backset	1.8

The above rockers may be purchased in sets of 8 to mix ratios. Note: 7/16 stud diameter.

Can be ordered N.S. without sure-locks

LATE MODEL ROCKERS

Crower's self-aligning rocker arms are available for late model small and big block Chevrolet, Dodge Magnum truck and the V10 Viper.

Features include:

- Self aligning roller tip holds rocker in place
- 25 hp, 4 mph on 1/4 mile with 1.7's on V10
- Emissions Legal certified ARB #D-410



Part#	Description	Ratio	Stud
CHEVROLET			
73602-12	V6 Chevy 85-96, 97-98 Vortec	1.5	3/8
73603-12	V6 Chevy 85-96, 97-98 Vortec	1.6	3/8
73602-16	SB Chevy 85-96, 97-98 Vortec, LT1	1.5	3/8
73603-16	SB Chevy 85-96, 97-98 Vortec, LT1	1.6	3/8
73660-16	SB Chevy Narrow, Non Align	1.5	3/8
73661-16	SB Chevy Narrow, Non Align	1.6	3/8
73608-16	BB Chevy 85-96, 97-98 Vortec	1.8	7/16
DODGE			
73653K*	V6 Dodge Magnum	1.6	3/8
73654K*	V6 Dodge Magnum	1.7	3/8
73655K*	V8 Dodge Magnum	1.6	3/8
73656K*	V8 Dodge Magnum	1.7	3/8
73657K*	V10 Dodge Magnum	1.6	5/16
73659K*	V10 Dodge Magnum	1.7	3/8
73662K*	V10 Dodge Viper	1.6	7/16
73663K*	V10 Dodge Viper	1.7	7/16

*"K" incl. rocker studs. 5500 RPM limit on "K" kits (6300 on Viper) Can be ordered N.S. without sure-locks

DODGE MAGNUM ROLLER ROCKER KITS

Our "PK" kits are a must in order to maintain valve train integrity when RPM's over 5500 are reached. If sustained high RPM is expected, you must upgrade to 68305X1 spring. "PK" kits include rocker studs, guide plates (#70518) & 1 pc. pushrods (#69695).

Part#	Description	Ratio	Stud
73653PK*	V6 Dodge Magnum	1.6	3/8
73654PK*	V6 Dodge Magnum	1.7	3/8
73655PK*	V8 Dodge Magnum	1.6	3/8
73656PK*	V8 Dodge Magnum	1.7	3/8

STAMPED STEEL ROCKER ARMS

Crower's stamped steel rockers utilize a longer slot for high lift, aftermarket cams. Made from high strength steel alloy and stamped to resist the rocker flex for the longest possible operating life.



Part#	Description	Ratio
73050-16	Chevrolet 265-400 (set 16)	1.5
73051-16	Chevrolet 265-400 (set 16)	1.6
73053	Chevrolet 265-400 (8 ea/8 ea) Kit	1.5/1.6

Note: For small block Chevrolet, a 1.6 ratio will raise gross valve lift for a nominal horsepower increase. All rockers listed are 3/8 stud.

ENDURO STAINLESS STEEL ROLLERIZED ROCKERS



Made from 17-4PH stainless steel with 1025 heat-treating, these proven rollerized rockers feature premium, oversized needle bearings, sure-lock rocker nuts and alloy steel tip rollers. Superior lightweight body design provides plenty of clearance for large diameter springs. Includes sure-locks.

Part#	Description	Ratio	Stud
AMC			
73645-16*	AMC 290-401 V8	1.6	3/8
73646-16*	AMC 290-401 V8	1.6	7/16
73648-12*	AMC 6 cyl.	1.6	3/8
73647-12*	AMC 6 cyl.	1.6	7/16

Part#	Description	Ratio	Stud
CHEVROLET			
73625-8	Chevy II 4 cyl.	1.75	3/8
73628-12	Chevrolet 230 250 292 6cyl.	1.6	3/8
73629-12	Chevrolet 230 250 292 6 cyl.	1.75	3/8
73630-12	Chevrolet 230 250 292 6 cyl.	1.6	7/16
73631-12	Chevrolet 230 250 292 6 cyl.	1.75	7/16
73649-12	Chevrolet 200 229 90° V6	1.6	3/8
73650-12	Chevrolet 200 229 90° V6	1.5	7/16
73651-12	Chevrolet 200 229 90° V6	1.65	7/16
73652-12	Chevrolet 200 229 90° V6	1.6	7/16
73635-16	Chevrolet 265-400 V8	1.35	7/16
73600-16	Chevrolet 265-400 V8	1.5	3/8
73660-16	Chevrolet 265-400 V8 LT1	1.5	3/8
73640-16	Chevrolet 265-400 V8	1.6	3/8
73661-16	Chevrolet 265-400 V8 LT1	1.6	3/8
73670-16	Chevrolet 265-400 V8	1.65	3/8
73601-16	Chevrolet 265-400 V8	1.5	7/16
73641-16	Chevrolet 265-400 V8	1.6	7/16
73642-16	Chevrolet 265-400 V8	1.55	7/16
73671-16	Chevrolet 265-400 V8	1.65	7/16
73643-16	Chevrolet 265-400 V8	1.7	7/16
73604-16	Chevrolet 396-454 V8	1.55	7/16
73606-16	Chevrolet 396-454 V8	1.6	7/16
73605-16	Chevrolet 396-454 V8	1.7	7/16
73607-16	Chevrolet 396-454 V8	1.75	7/16
73608-16	Chevrolet 396-454 V8	1.8	7/16

Part#	Description	Ratio	Stud
FORD			
73609-16	Ford 289 302 351W V8	1.6	3/8
73610-16	Ford 289 302 351W V8	1.65	3/8
73611-16	Ford 289 302 351W V8	1.7	3/8
73612-16	Ford 289 302 351W V8	1.6	7/16
73613-16	Ford 289 302 351W V8	1.65	7/16
73614-16	Ford 289 302 351W V8	1.7	7/16
73637-16	Ford 289 302 351W V8	1.75	7/16
73638-16	Ford 289 302 351W V8	1.8	7/16
73618-16	Ford Boss 351C 400 429 460	1.6	7/16
73616-16	Ford Boss 351C 400 429 460	1.65	7/16
73615-16	Ford Boss 351C 400 429 460	1.73	7/16
73617-16	Ford Boss 351C 400 429 460	1.75	7/16
73619-16	Ford Boss 351C 400 429 460	1.8	7/16

Part#	Description	Ratio	Stud
PONTIAC			
73626-16	Pontiac V8	1.5	3/8
73621-16	Pontiac V8	1.7	7/16
73622-16	Pontiac V8	1.6	3/8
73627-16	Pontiac V8	1.5	7/16
73623-16	Pontiac V8	1.6	7/16
73624-16	Pontiac V8	1.65	7/16

Part#	Description	Ratio	Stud
OLDSMOBILE			
73644-16*	Oldsmobile 67-91 V8 V8	1.6	7/16

* Requires machine work Note: Rocker arms can be purchased in 1/2 sets (8 intake and 8 exhaust for split ratio applications) or individually Note: Specify stud 88400 (3/8) or 88401 (7/16) when ordering. Can be ordered N.S. without sure-locks

CROWER HAS NHRA STOCK CLASS ACCEPTED STUD MOUNTED ROCKER SYSTEMS TO KEEP YOU AHEAD OF THE COMPETITION

Aluminum Stud Mounted Rockers

ALUMINUM STUD ROLLERIZED ROCKERS

Crower's Enduro aluminum stud mount rocker arms are fully CNC machined from USA made, premium aluminum extrusion. Crower's unique "full arch" design reduces the rocker flex found in other brands. Results are increased rpm, greater area under the lift curve and added spring clearance. Double-step, serrated pins feature our rotor clip design that eliminates pin loosening. USA made needle bearings. When vertical valve cover clearance is an issue, specify "LP" when ordering. Will clear 1.625" diameter spring.



ALUMINUM CENTERLINE ROLLERIZED ROCKERS

When installing a .100" long valve, the rocker arm tip must be backed up .050" to ensure centerline contact at half lift. Crower offsets the rocker stud hole in the trunnion, pulling the rocker tip back into correct alignment with the valve stem. Re-establishing correct geometry reduces valve guide wear and promotes more accurate valve timing. Will clear 1.650" diameter spring.



BREAK-IN ALUMINUM ROLLERIZED ROCKERS

Reduce cam and lifter break-in failures by running Crower's new break-in rocker arms first. Features a reverse offset trunnion (.050") that repositions the pushrod closer to the stock position. In other words, Crower moves the rocker arm and pushrod forward .050" for easier installation. Current break-in rockers on the market only offer center trunnion stud hole positions that require extensive cylinder head modifications to the pushrod hole in order to achieve proper pushrod and head clearance. Crower's break-in rockers drop on with no machine work required. Spring pockets machined for 1.560" O.D. spring



Part#	Description	Ratio	Stud
AMC			
72845-16*	AMC 290-401 V8	1.6	3/8
72846-16*	AMC 290-401 V8	1.6	7/16
72848-12*	AMC 6 cyl.	1.6	3/8
72847-12*	AMC 6 cyl.	1.6	7/16

Part#	Description	Ratio	Stud
CHEVROLET			
72825-8	Chevy II 4 cyl.	1.75	3/8
72828-12	Chevrolet 230 250 292 6cyl.	1.6	3/8
72829-12	Chevrolet 230 250 292 6 cyl.	1.75	3/8
72830-12	Chevrolet 230 250 292 6 cyl.	1.6	7/16
72831-12	Chevrolet 230 250 292 6 cyl.	1.75	7/16
72850-12	Chevrolet 200 229 90° V6	1.5	7/16
72852-12	Chevrolet 200 229 90° V6	1.6	7/16
72854-12	Chevrolet 200 229 90° V6	1.65	7/16
72835-16	Chevrolet 265-400 V8	1.35	7/16
72800-16	Chevrolet 265-400 V8	1.5	3/8
72840-16	Chevrolet 265-400 V8	1.6	3/8
72870-16	Chevrolet 265-400 V8	1.65	3/8
72801-16	Chevrolet 265-400 V8	1.5	7/16
72841-16	Chevrolet 265-400 V8	1.6	7/16
72842-16	Chevrolet 265-400 V8	1.55	7/16
72871-16	Chevrolet 265-400 V8	1.65	7/16
72843-16	Chevrolet 265-400 V8	1.7	7/16
72804-16	Chevrolet 396-454 V8	1.55	7/16
72806-16	Chevrolet 396-454 V8	1.6	7/16
72805-16	Chevrolet 396-454 V8	1.7	7/16
72807-16	Chevrolet 396-454 V8	1.75	7/16
72808-16	Chevrolet 396-454 V8	1.8	7/16

Part#	Description	Ratio	Stud
FORD			
72809-16	Ford 289 302 351 W V8	1.6	3/8
72810-16	Ford 289 302 351W V8	1.65	3/8
72811-16	Ford 289 302 351W V8	1.7	3/8
72832-16	Ford 289 302 351W-351-N V8	1.5	7/16
72833-16	Ford 289 302 351W 351-N V8	1.55	7/16
72812-16	Ford 289 302 351W 351-N V8	1.6	7/16
72813-16	Ford 289 302 351W 351-N V8	1.65	7/16
72814-16	Ford 289 302 351W 351-N V8	1.7	7/16
72837-16	Ford 289 302 351W 351-N V8	1.75	7/16
72838-16	Ford 289 302 351W 351-N V8	1.8	7/16
72818-16	Ford Boss 351C 400 429 460	1.6	7/16
72816-16	Ford Boss 351C 400 429 460	1.65	7/16
72815-16	Ford Boss 351C 400 429 460	1.73	7/16
72817-16	Ford Boss 351C 400 429 460	1.75	7/16
72819-16	Ford Boss 351C 400 429 460	1.8	7/16

Part#	Description	Ratio	Stud
PONTIAC			
72826-16	Pontiac V8	1.5	3/8
72821-16	Pontiac V8	1.7	7/16
72822-16	Pontiac V8	1.6	3/8
72827-16	Pontiac V8	1.5	7/16
72823-16	Pontiac V8	1.6	7/16
72824-16	Pontiac V8	1.65	7/16

Part#	Description	Ratio	Stud
OLDSMOBILE			
72844-16	Oldsmobile 67-91 V8	1.6	7/16

* Requires machine work
Can be ordered N.S. without sure-locks

Part#	Description	Ratio	Stud
72890-8	Chevrolet 265-400 V8 (set 8)	1.5	7/16
72891-8	Chevrolet 265-400 V8 (set 8)	1.55	7/16
72892-8	Chevrolet 265-400 V8 (set 8)	1.6	7/16
72893-8	Chevrolet 265-400 V8 (set 8)	1.65	7/16
72894-8	Chevrolet 265-400 V8 (set 8)	1.7	7/16
72896-8	Chevrolet 265-400 V8 (set 8)	1.75	7/16
72895-8	Chevrolet 265-400 V8 (set 8)	1.8	7/16
72897-8	Chevrolet 396-454 V8 (set 8)	1.7	7/16
72898-8	Chevrolet 396-454 V8 (set 8)	1.8	7/16

The above rockers come in sets of 8 to mix ratios.
Can be ordered N.S. without sure-locks

OFFSET ALUMINUM INTAKE ROCKERS

Crower has a .150" offset aluminum rocker available in 7/16" stud diameter only. These rockers include the same features as our Enduro Aluminum rockers, but in an offset design. Order only for the intake and then 8 only standard stud mount rockers on the exhaust (see p/n at left).



Part#	Description	Ratio	Stud
CHEVROLET			
72801X1-8	Chevrolet 265-400 V8	1.5	7/16
72841X1-8	Chevrolet 265-400 V8	1.6	7/16
72842X1-8	Chevrolet 265-400 V8	1.55	7/16
72843X1-8	Chevrolet 265-400 V8	1.7	7/16
72871X1-8	Chevrolet 265-400 V8	1.65	7/16

Part#	Description	Ratio	Stud
FORD			
72812X1-8	Ford 289-302-351W 351N V8	1.6	7/16
72813X1-8	Ford 289-302-351W 351N V8	1.65	7/16
72814X1-8	Ford 289-302-351W 351N V8	1.7	7/16
72832X1-8	Ford 289-302-351W 351N V8	1.5	7/16
72833X1-8	Ford 289-302-351W 351N V8	1.55	7/16
72837X1-8	Ford 289-302-351W 351N V8	1.75	7/16
72838X1-8	Ford 289-302-351W 351N V8	1.8	7/16

Note: These rockers come 8 only for the intake side. You must order 8 only standard design rockers for the exhaust side.
Can be ordered N.S. without sure-locks

NEEDLE BEARING TIP OPTION

All Crower stud and shaft mount rocker arms are available with Crower's new needle bearing roller tip option. Results are greatly reduced friction for added horsepower and reduced valve guide and valve stem wear. The lighter tip delivers greater valve control for increased rpm and improves valve spring longevity by decreasing heat over traditional non needle designs. Specify #73715R option for stainless steel (stud or shaft) or #72915R option for aluminum (stud or shaft) when ordering rocker arms. Not available on self-aligning tip designs.



Example A

.350 Lobe Lift
x 1.7 Rocker Ratio
.595 Gross Lift
-.020 Lash
.575 Net Valve Lift

Example B

.350 Lobe Lift
x 1.2 Rocker Ratio
.420 Gross Lift
-.020 Lash
.400 Net Valve Lift

As you can see in example (A), net valve lift is .575" and example (B) is .400" net. Depending on spring rate, this could be as much as 100 lbs. or more reduced open pressure.

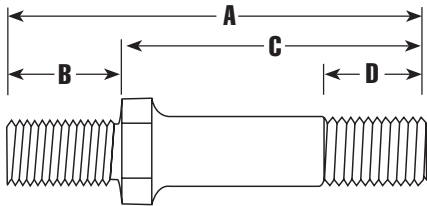
Part#	Description	Ratio	Stud
CHEVROLET			
72881-16	Chevrolet 265-400 V8	1.2	7/16
72886-16	Chevrolet 265-400 V8	1.35	7/16
72882-16	Chevrolet 396-454 V8	1.4	7/16

Part#	Description	Ratio	Stud
FORD			
72884-16	Ford 289 302 351W V8	1.3	7/16
72885-16	Ford 351C V8	1.33	7/16

SLEEVES

72921	Sleeves 3/8 to 7/16 For Rockers
-------	---------------------------------

Stud Mounted Rocker Parts



ALLOY ROCKER STUDS

Crower screw-in rocker studs are rated to 190,000 p.s.i. tensile strength and insure reliability in your valve train. Machined and finished from 8740 aircraft quality steel and heat-treated for maximum strength. All threads are cold rolled for concentricity and extreme durability.



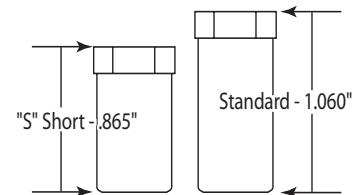
SURE LOCK ROCKER NUTS

Made from high quality, heat treated chromoly steel, Crower sure lock nuts allow for precise adjustments. Includes nuts, Allen head set screws.

Part#	Description	Diameter		Dimensions				
		Top	Bottom	A	B	C	D	
88419-12	Chevrolet 60° V6 2.8-3.1 (80-94)	3/8	10mm	2.375"	0.805"	1.570"	0.610"	
88400-16	Chevrolet 265-400	3/8	7/16	2.430"	0.680"	1.750"	0.800"	
88400S-16	Chevrolet 265-400	3/8	3/8	2.430"	0.685"	1.750"	0.785"	
88401-16	Chev 265-400 & 396-454	7/16	7/16	2.650"	0.750"	1.900"	0.650"	
88425-16	Chevrolet (Special appl. +.175")	7/16	7/16	2.825"	0.815"	1.900"	1.000"	
88402L	Chevrolet 396-454 (Alum Heads)	Int:	7/16	7/16	2.825"	0.825"	2.000"	1.000"
		Exh:	7/16	7/16	3.660"	1.650"	2.010"	1.050"
88405-8	Chevrolet 396-454 (Alum Hds Ex. only)	7/16	7/16	3.660"	1.650"	2.010"	1.050"	
88414-8	Chevrolet Late Model Vortec	3/8	8mm	2.350"	0.600"	1.750"	0.800"	
88418-16	Chev Late Mod/Mark V	7/16	3/8 (a)	2.650"	0.750"	1.900"	1.000"	
88401-16	Ford 302, 351C	7/16	7/16	2.650"	0.750"	1.900"	0.650"	
88416-12	Dodge Magnum V6	3/8	5/16	2.440"	0.680"	1.760"	0.800"	
88416-16	Dodge Magnum V8	3/8	5/16	2.440"	0.680"	1.760"	0.800"	
88414-20	Dodge Magnum Truck 2001-2002	3/8	8mm	2.350"	0.600"	1.750"	0.800"	
88400S-16	Dodge Magnum Truck 2001-2002	3/8	3/8(b)	2.435"	0.685"	1.750"	0.785"	
88416-20	Dodge V10 Magnum	3/8	5/16 (c)	2.440"	0.680"	1.760"	0.800"	
88417-20	Dodge Viper V10	3/8	5/16	2.450"	0.750"	1.700"	0.800"	

Part#	Stud Dia.	Shank Dia.	Engine
86050-16	7/16	.600"	V8
86050S-16	7/16	.600"	V8
86051-16	3/8	.530"	V8
86051S-16	3/8	.530"	V8
86052-12	3/8	.530"	6 cyl

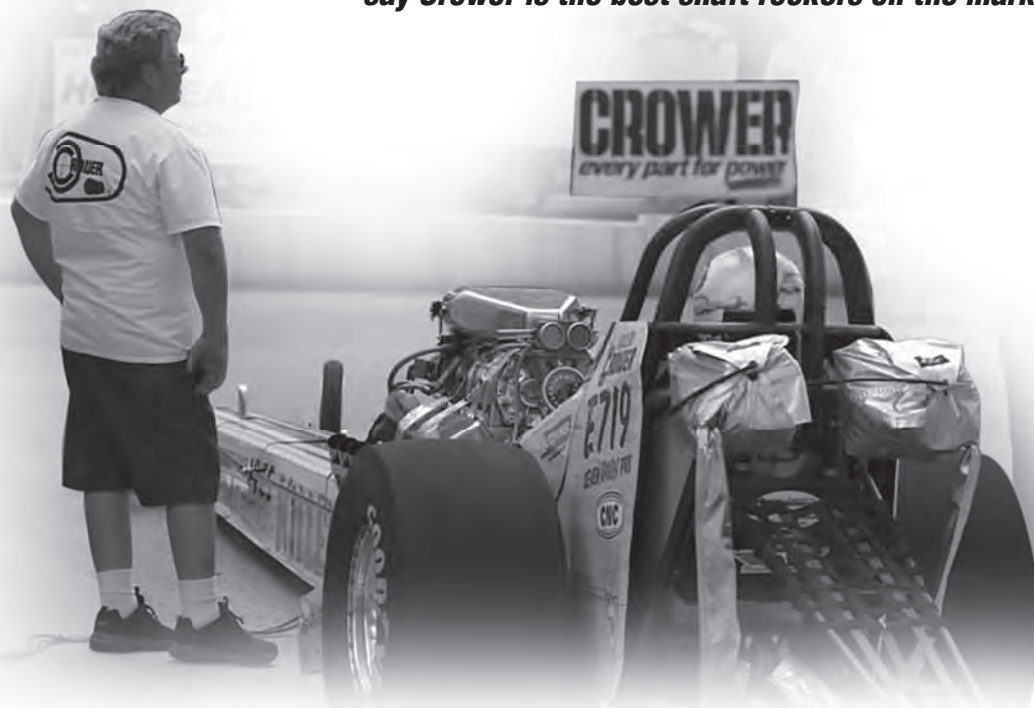
"S" indicates short (.865") design for valve cover clearance. Std = 1.060"



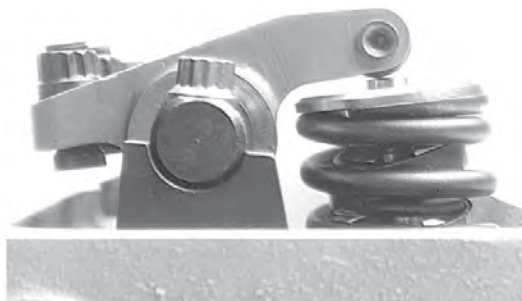
Notes:

- (a) Reuse factory guide plates with 3/8 mounting hole.
- (b) Certain model years require 3/8 thread.
- (c) Certain model years require 5/16 thread.

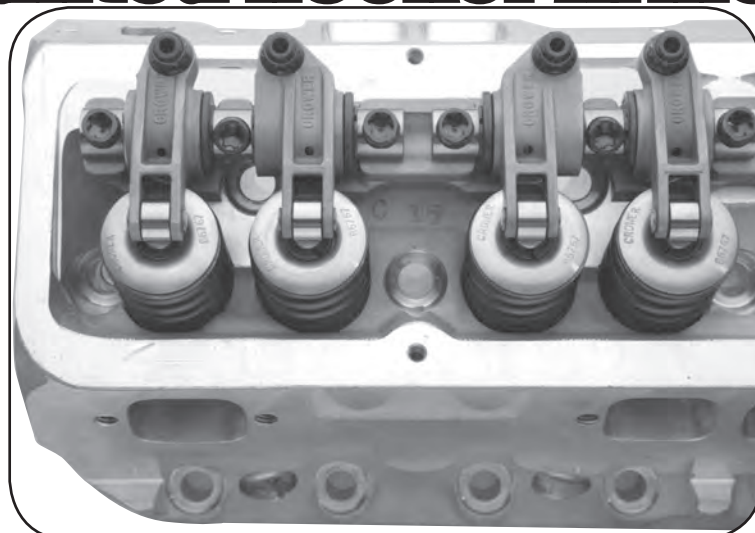
Gregg Scott Racing Engines and Tommy Keeter of KPE Engines say Crower is the best shaft rockers on the market !



Stainless Steel Shaft Mounted Rocker Arms

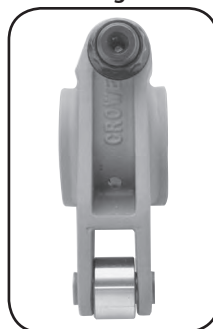


For those of you that feel most confident running a steel based valve train, we offer you the Crower collection of shaft mounted stainless steel rocker arms. Each and every configuration has been religiously scrutinized to offer extreme rigidity and accuracy while optimizing moment of inertia phenomena condition. Crower engineers made ease of installation and maintenance a top priority so you'll never waste a moment when time is critical at the track. Our stainless steel shaft rocker systems are a perennial favorite of dirt late models and marine endurance competitors. Sustained high temperature has little effect on the strength properties of stainless steel so components made from this material should have a longer life expectancy than similar components made from aluminum.

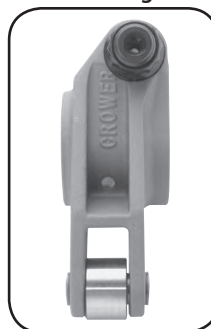


Offset Guide

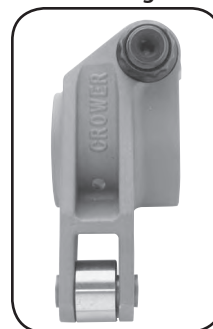
Straight



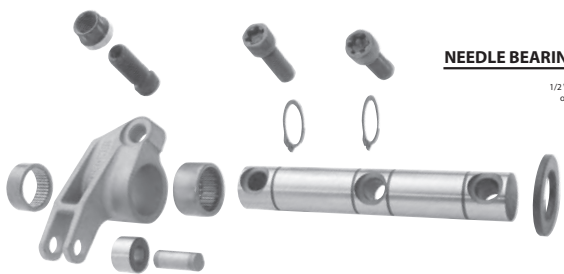
.200"-.250"
Offset Right



.350"-.550"
Offset Right

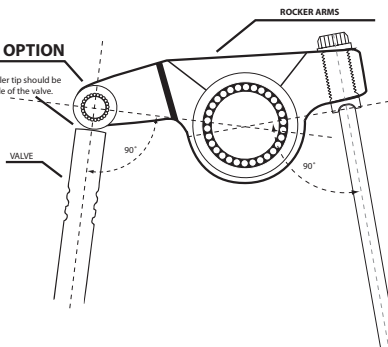


.550" Available on
arm lengths 1.480"
and over



NEEDLE BEARING TIP OPTION

1/2 Valve lift roller tip should be on the middle of the valve.



**New for 2015 the EnduraMax
Bushing option in rocker tips
#73715BB**



NEEDLE BEARING TIP OPTION

All Crower stud and shaft mount rocker arms are available with Crower's new needle bearing roller tip option. Results are greatly reduced friction for added horsepower and reduced valve guide and valve stem wear. The lighter tip delivers greater valve control for increased rpm and improves valve spring longevity by decreasing heat over traditional non needle designs. **Specify #73715R option for stainless steel (stud or shaft) or #72915R option for aluminum (stud or shaft) when ordering rocker arms.**

NEEDLE BEARING TIP OPTION

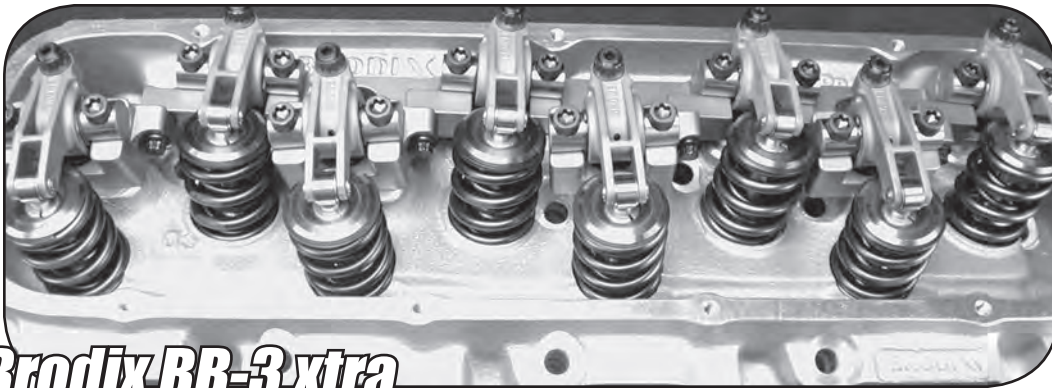
#73715R



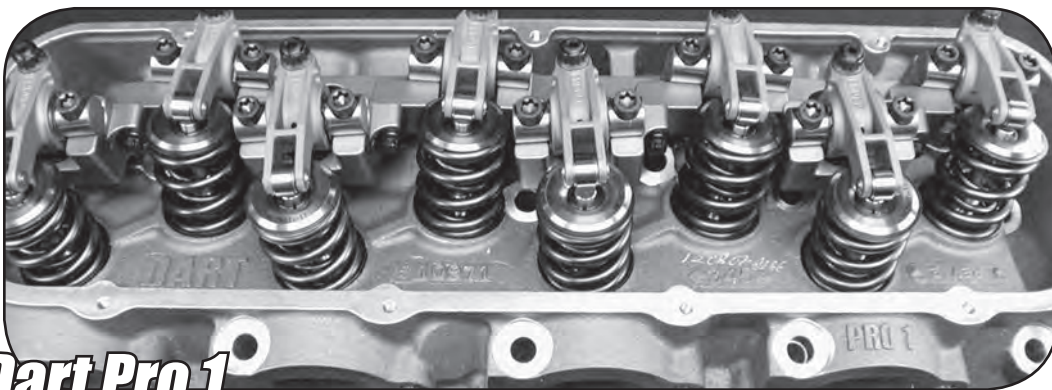
REGULAR ROLLER TIP



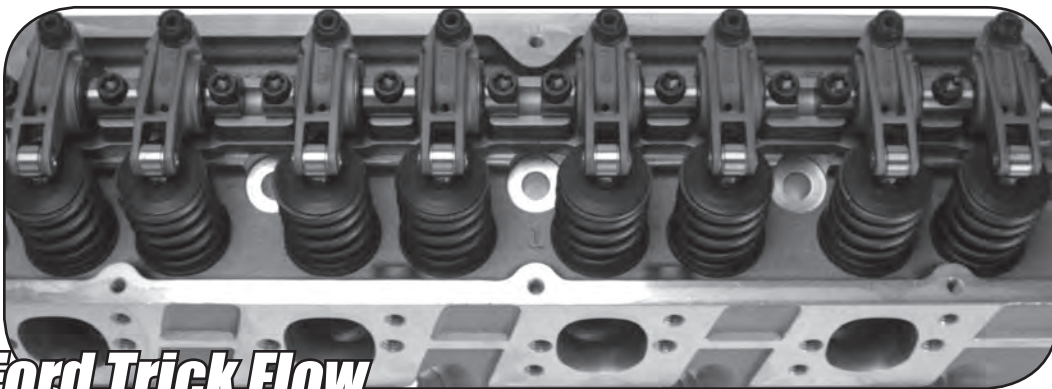
Stainless Steel Shaft Mounted Rocker Arms



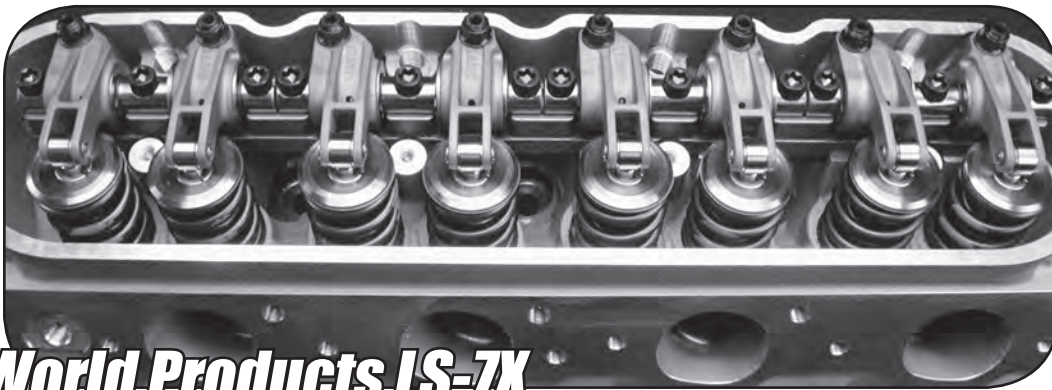
Brodix BB-3xtra



Dart Pro-1



Ford Trick Flow



World Products LS-7X

**Steel Billet Rockers Available
For All Popular Applications**

Stainless Steel

Shaft Mounted Rocker Systems

AFR

Part#	Description	Arm Length	Intake Offset	Exhaust Offset	Stand I.D. #	Stand Part #
74101F	LS1	1.450	.000	.000	108.F	74400X108F
74139F	SBC 180cc thru 220cc w/L-98 bolt pattern Eliminator Street Head	1.450	.250	.100	014F	74400X014F
74132F	SBC 215 RR	1.480	.450	.100	021F	74000X021F
74141F	SBC 227 & 235 Eliminator 60/40	1.450	.350	.100	025FT	74400X025FT
74148F	SBC 245 Eliminator	1.450	.450 w/offset lifter	.100	025FT	74400X025FT
74718F	BBC AFR 345 VERSION 1 , used with smaller diameter pushrods	1.650	.550	.250	012F	7440x012F
74707F*	BBC AFR 325/345/357 VERSION 2	1.650	.100	.000	210F Intake 211F Exhaust	74400X210F 74400X211F
74717F	BBC AFR 377ec 240	1.650	.000	.100	227F Intake 219F Exhaust	74400X227F 74400X219F
74140F	SB Ford #165 - 225 + .100 Valve +.700 Lift	1.450	.100	.000	031F	74400X031F
74140XF	SB Ford #165 - 225 + .100 Valve -.700 Lift	1.450	.100	.000	085F	74400X085F

ALL PRO

Part#	Description	Arm Length	Intake Offset	Exhaust Offset	Stand I.D. #	Stand Part #
74164F	LS Series LSW 12° Hurricane	1.550	.450	.050	032F	74400X032F
74134F	SBC 23° 40/60	1.480	.450	.175	021F	74400X021F
74135F	SBC 17°	1.650	.450	.175	013F	74400X013F
74143F	SBC 13°	1.650	.550	.150	023F	74400X023F
74168B	SBC 272-21 & 280-22 Billet	1.650	.750	.250	023F	74400X023F

BRODIX

Part#	Description	Arm Length	Intake Offset	Exhaust Offset	Stand I.D. #	Stand Part #
74226F	Chev Lil Brodie 90° V-6-10	1.550	.300	.175	001F	74400X001F
74164F	LS Series STS BR-7 BS	1.550	.450	.050	032F	74400X032F
74107F	LS Series STS BR-7, Machining req.	1.550	.350	.050	007F	74400X007F
74112F	SBC -8 through -11	1.480	.250	.100	020F	74400X020F
74126F	SBC 10x 11x 40/60 & ASCS	1.480	.250	.100	021F	74400X021F
74127F**	SBC 10x 11x 40/60 & ASCS	1.480	.450	.100	021F	74400X021F
74122F*	SBC -12 RP LA 40/60	1.650	.500	.250	023F	74400X023F
74136F	SBC -12 RP LA 58/107	1.650	.550	.250	023F	74400X023F
74124F*	SBC -12 RP LA 70/125	1.650	.550	.250	023F	74400X023F
74018F	SBC 13° Clements Head	1.650	.550	.250	012F	74400X012F
74018B	SBC 13° Clements Head Billet	1.650	.650	.250	012F	74400X012F
74129F	SBC 18° Clone	1.480	.550	.250	021F	74400X021F
74125F*	SBC 18° Clone LA	1.650	.550	.250	013F	74400X013F
74126F	SBC 18x 40/60	1.480	.250	.100	021F	74400X021F
74188B	SBC 4.500 Bore Spacing 11° Steel Billet	1.650	.650	.170/.270	004F	74400X004F
74182B	SBC 4.500 Bore Spacing 13° Billet	1.650	.600	.250	009F	74400X009F
74159F	SBC Dragon Slayer DS225cc 23°	1.480	.250	.100	052F	74400X052F
74168B	SBC GB-2300 & GB-2000 Billet	1.650	.750	.250	023F	74400X023F
74023F	SBC Headhunter 23° 225-234cc	1.450	.450	.150	021FT	74400X021F
74174F	Spec SP CH SBC Track I,	1.480	.150	.100	014F	74400X014F
74126F	SBC Track 1x 40/60	1.480	.250	.100	021F	74400X021F
74175F	SBC Track 1x STS T1 STD 233, STS T1 245	1.480	.550	.100	021F	74400X021F
74704F*	BBC BB-1, BB-2, BB-2 plus / Race Rite	1.650	.100	.000	204F Intake 208F Exhaust	74400X204F 74400X208F
74702F*	BBC, BB-2X, BB-2extra, BB-3	1.650	.100	.000	202F Intake 205F Exhaust	74400X202F 74400X203F
74703F*	BBC BB-3 XTRA	1.650	.100	.000	206F Intake 207F Exhaust	74400X206F 74400X207F
74706F*	BBC Head Hunter 383	1.650	.100	.000	218F Intake 219F Exhaust	74400X218F 74400X219F
74713F*	BBC Head Hunter 383-395MC	1.650	.100	.050	218F Intake 219F Exhaust	74400X218F 74400X219F
74716B	BBC SR20 Billet	1.850	.000	.000	141F Intake 142F Exhaust	75400X141F 75400X142F
74285F	SBF Track 1 351 Spec	1.480	.000	.000	085F	74400X085F

**New for 2015 the EnduraMax
Bushing option in rocker tips
#73715BB**



**Needle Bearing Tip Option
#73715R**



NOTE: I.D. numbers are stamped on all mounting base stands. When you are ordering your replacement base stand please reference this I.D. number to ensure you get the correct part.

Most shaft rocker assemblies are available with optional offsets. If you don't find the offset you require, please ask about availability.

Note: Part numbers ending in "B" have steel billet rocker bodies.

* One piece intake stand, no machine work required.

* LA = Long Arm **Optional offset

Ratios over 1.8 may require a long arm rocker arm. Arm lengths over 1.650 are available in aluminum or steel billet.

Stainless Steel Shaft Mounted Rocker Systems

Steel Billet Rockers Available
For All Popular Applications

BMF

Part#	Description	Arm Length	Intake Offset	Exhaust Offset	Stand I.D. #	Stand Part #
74178F	SBC 18°	1.650	.500	.250	012F	74400X012F
*74705	BBC BMF 385	1.650	.100	.000	201F Intake 220F Exhaust	74400X201F 74400X220F
*74705	BBC BMF 350	1.650	.100	.000	201F Intake 220F Exhaust	74400X201F 74400X220F

CANFIELD

Part#	Description	Arm Length	Intake Offset	Exhaust Offset	Stand I.D. #	Stand Part #
74111F	SBC 23° 400	1.480	.100	.100	020F	74400X020F
74131F	SBC Small Runner	1.480	.250	.100	020F	74400X020F
74132F	SBC Large Runner	1.480	.450	.100	021F	74400X021F
74144F	SBC 23° 220	1.480	.450	.100	024F	74400X024F
74145F	SBC Model #20450 Windsor	1.480	.100	.100	085F	74400X085F

DART

Part#	Description	Arm Length	Intake Offset	Exhaust Offset	Stand I.D. #	Stand Part #
74103F	SBC Pro 1 227, 23°	1.480	.300	.200	052F	74400x052F
74104F	SBC Pro 1 Platinum 227 + .100 valve CNC ports	1.480	.350	.175	052F	74400X052F
74105F	LS3, L92 & Dart #11030050	1.450	.175	.000	105F	74400X105F
74112F	SBC Pro 1	1.480	.250	.100	020F	74400X020F
74111F	SBC Dart II Sportsman	1.480	.100	.100	020F	74400X020F
74112F**	SBC Dart II Sportsman	1.480	.250	.100	052F	74400X052F
74152F	SBC 230 Iron Eagle	1.450	.350	.100	052F	74400X052F
74113F	SBC Iron Eagle + .300 valve	1.480	.300	.200	027F	74400X027F
74127F	SBC 23° RR 40/60	1.480	.450	.100	021F	74400X021F
74117F*	SBC15°, 16°, 18° Clone LA	1.650	.550	.250	012F	74400X012F
74128F	SBC15°, 16°, 18° Clone	1.480	.550	.250	020F	74400X020F
74102F	SBC 12.5°	1.650	.550	.250	012F	74400X012F
74183B	SBC 4.500 Bore Spacing 9° Billet	1.650	.650	.250	019F	74400X019F
74184B	SBC 4.400 Bore Spacing 9° Billet	1.650	.650	.250	018F	74400X018F
*74701F	BBC Pro 1 310/325/345	1.650	.000	.000	100F Intake 101F Exhaust	74400x100F 74400x101F
*74721F	BBC Pro 1 CNC 335/355 & Pro 2 380	1.650	.100	.075	100F Intake 101F Exhaust	74400x100F 74400x101F
*74708F	BBC Race series 320-360	1.650	.000	.075	104F Intake 101F Exhaust	74400x104F 74400X101F
*74709F	BBC Big M	1.650	.000	.000	100F Intake 212F Exhaust	74400X100F 74400X212F
74710B	BBC Race Series 18° Oval Billet	1.850	.100 .150	.000	196F Intake 197F Exhaust	75400X196F 75400X197F
74156F	SB Ford Pro I CNC 225 4.155 Bore	1.450	.000	.000	085F	74400X085F

* One piece intake stand, no machine work required.

New for 2015 the EnduraMax
Bushing option in rocker tips
#73715BB



Needle Bearing Tip Option
#73715R



Note:

The shaft rocker part numbers listed are made to the manufacturers max lift configurations. If your application has modifications, such as longer valves for higher lift, it may require customization to maintain correct geometry. Please specify when ordering.

Most shaft rocker assemblies are available with optional offsets. If you don't find the offset you require, please ask about availability.

* LA = Long Arm **Optional offset
Ratios over 1.8 may require a long arm rocker arm. Arm lengths over 1.650 are available in aluminum or steel billet.

NOTE: I.D. numbers are stamped on all mounting base stands. When you are ordering your replacement base stand please reference this I.D. number to ensure you get the correct part.

**Steel Billet Rockers Available
For All Popular Applications**

Stainless Steel Shaft Mounted Rocker Systems

EDELBROCK

Part#	Description	Arm Length	Intake Offset	Exhaust Offset	Stand I.D. #	Stand Part #
74111F	SBC Performer	1.480	.100	.100	020F	74400X020F
74131F	SBC Victor Jr.	1.480	.250	.100	020F	74400X020F
74128F	SBC Victor 18°	1.480	.550	.250	020F	74400X020F
74117F	SBC Victor 18° LA	1.650	.550	.250	012F	74400X012F
74186F	S.B.C. head 61229	1.480	.550	.200	021FT	74400X021FT
*74704F	BBC RPM Performer	1.650	.100	.100	204F Intake 208F Exhaust	74400X204F 74400X208F
*74724F	BBC Victor 24°	1.650	.000	.100	216F Intake 217F Exhaust	74400X216F 74400X217F
74156F	SB Ford Victor Jr.	1.450	.000	.000	085F	74400X085F
74163F	Pontiac 326-455	1.480	.100	.100	060F	74400X060F
74165F**	Pontiac 326-455	1.480	specify	specify	060F	74400X060F

**Needle Bearing Tip Option
#73715R**



ETP

Part#	Description	Arm Length	Intake Offset	Exhaust Offset	Stand I.D. #	Stand Part #
74106F	LXR - LS-7 4.0 Bore		.350	.000	007F	74400X007
74108F	LS-7 4.100 Bore	1.550	.350	.000	007F	74400X007
74109F	LS-7 4.000 Bore	1.550	.350	.050	007F	74400X007

GM CASTINGS

Part#	Description	Arm Length	Intake Offset	Exhaust Offset	Stand I.D. #	Stand Part #
74101F	LS1-LS2-LS6	1.450	.000	.000	108F	74400X108F
74105F	LS3 & L92	1.450	.175	.000	105F	74400X105F
74107F	LS7 Machining Required	1.550	.350	.050	007F	74400X007F
74218F*	V6 18° LA	1.650	.550/.650	.250	006F	74400X006F
74111F	SBC Iron & Bowtie	1.480	.100	.100	020F	74400X020F
74119F	SBC Phase 6 Alum. Bowtie	1.480	.450	.100	020F	74400X020F
74128F	SBC 18°	1.480	.550	.250	020F	74400X020F
74117F*	SBC 18° LA	1.650	.550	.250	012F	74400X012F
74151F*	SBC GM LA (1.8:1 to 2:1)	1.650	.100	.100	012F	74400x012F
*74700F	BBC Iron casting	1.650	.000	.000	204F Intake 207F Exhaust	74400X204F 74400X207F
74122F*	Pontiac/SBC 15° LA	1.650	.475	.100	023F	74400x023F
74126F	Pontiac/SBC 23° 867 40/60	1.480	.250	.100	021F	74400X021F
74127F**	Pontiac/SBC 23° 867 40/60	1.480	.450	.100	021F	74400X021F
74163F	Pontiac BB 326/455	1.480	.100	.100	060F	74400X060F
74166F	Pontiac 18° #10093391	1.480	.550	.100	021F	74400X021F
74169F	Pontiac Kauffman Head	1.450	.200	.100	062F	74400X062F

Most shaft rocker assemblies are available with optional offsets. If you don't find the offset you require, please ask about availability.

♦ LA = Long Arm **Optional offset
Ratios over 1.8 may require a long arm rocker arm. Arm lengths over 1.650 are available in aluminum or steel billet.

**New for 2015 the EnduraMax
Bushing option in rocker tips
#73715BB**



KAUFFMAN

Part#	Description	Arm Length	Intake Offset	Exhaust Offset	Stand I.D. #	Stand Part #
74169F	Pontiac KRE 326-455	1.450	.200	.100	062F	74400X062F

Mast

Part#	Description	Arm Length	Intake Offset	Exhaust Offset	Stand I.D. #	Stand Part #
74147F	Fits- 510-224, 510-225, 510-204, 510-207 & 510-209	1.550	.450	.000	007F	74400X007F
74160F	Fits- 510-303, 510-310 & 510-323	1.450	.400	.150	061F	74400X061F
74164F	Fits- 510-224 J, 510-225 J, 510-204 J, 510-207 J & 510-209 J	1.550	.450	.050	.032	74400X032F

NOTE: I.D. numbers are stamped on all mounting base stands. When you are ordering your replacement base stand please reference this I.D. number to ensure you get the correct part.

*** One piece intake stand,
no machine work required.**

Note:

Crower has manufactured its Shaft Rocker Systems to cylinder head manufacturer's specifications and maximum lifts. If you deviate from these specifications such as using longer valves to increase lift, you will need a custom part number made to keep geometry correct.

Stainless Steel Shaft Mounted Rocker Parts

Steel Billet Rockers Available
For All Popular Applications

RHS / PRO TOPLINE / PRO ACTION

Part#	Description	Arm Length	Intake Offset	Exhaust Offset	Stand I.D. #	Stand Part #
74187F	Chevy LS-7 #54501 Only	1.550	.250	.000	105F	74400X105F
74123F	SBC 23° Iron RR	1.480	.450	.100	020F	74400X020F
74153F	SBC 23° Iron RR LA*	1.650	.450	.100	012F	74400X012F
74118F	SBC 220 Motown 23°	1.480	.250	.100	020F	74400X020F
74174F	SBC Iron Lightning	1.480	.150	.100	014F	74400X014F
74138F	SBC Pro Action 14°	1.650	.550	.250	016F	74400X016F
74149F	SBC Pro Action 235cc	1.450	.350	.150	052F	74400X052F
74149F	SBC Pro Topline 235cc	1.450	.350	.150	052F	74400X052F
74720F*	BBC RHS 380 CNC	1.650	.000	.000	206F Intake 220F Exhaust	74400X206F 74400X220F
74167F	SB Ford Pro Topline 215cc	1.480	.000	.075	067F	74400X067F

Pro-Comp

Part#	Description	Arm Length	Intake Offset	Exhaust Offset	Stand I.D. #	Stand Part #
74158F*	SBC Pro-Comp PC-3003	1.480	.150	.075	052F	74400X052F
74715F*	BBC Pro-Comp	1.650	.100	.050	222F Intake 223F Exhaust	74400X222F 74400X223F

Pro-Filer

Part#	Description	Arm Length	Intake Offset	Exhaust Offset	Stand I.D. #	Stand Part #
74189B	SBC 13° 219X Billet	1.650	.750	.250	012F	74400X012F
74185F	SBC 23° 176-18 to 176-XC23	1.480	.300	.100	003F	74400X003F
74191F	BBC Sniper 320cc 355-375	1.650	.000	.000	258F Intake 259F Exhaust	74400X258F 74400X259F

TFS-Trick Flow

Part#	Description	Arm Length	Intake Offset	Exhaust Offset	Stand I.D. #	Stand Part #
74173F	Gen X 255 LS3	1.450	.350	.000	005F	74400X005F
74150F	LS1-1X	1.450	.100	.000	135F	74400X135F
74101F	LS1-2	1.450	.000	.000	108F	74400X108F
74107F	LS7 Gen X 260	1.550	.350	.050	007F	74400X007F
74154F	SBC -5 18°	1.480	.550	.250	020F	74400X020F
74111F	SBC 23°	1.480	.100	.100	020F	74400X020F
74719F	BBC 280-320-360	1.650	.000	.150	227F Intake 219F Exhaust	74400X227F Int. 74400X219F Exh.
74723F	BBC 365cc	1.650	.000	.000	229F Intake 219F Exhaust	74400X229F Int. 74400X209F Exh.
74275F	SBF Ford High Port Race	1.480	.100	.075	085F	74400X085F

New for 2015 the EnduraMax
Bushing option in rocker tips
#73715BB



Needle Bearing Tip Option #73715R



NOTE: I.D. numbers are stamped on all mounting base stands. When you are ordering your replacement base stand please reference this I.D. number to ensure you get the correct part.

* One piece intake stand,
no machine work required.

WORLD PRODUCTS

Part#	Description	Arm Length	Intake Offset	Exhaust Offset	Stand I.D. #	Stand Part #
74110F	LS-7X Machining Required	1.550	.350	.050	007F	74400X007F
74111F	SBC SR Torquer	1.480	.100	.100	020F	74400X020F
74112F	SBC Sportsman II	1.480	.250	.100	020F	74400X020F
74711F*	BBC Cast Iron Merlin	1.650	.000	.000	204F Intake 207F Exhaust	74400X204F 74400X207F
74712F*	BBC Merlin III	1.650	.000	.000	214F Intake 215F Exhaust	74400X214F 74400X215F

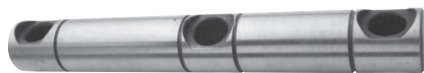
Note:

Crower has manufactured its Shaft Rocker Systems to cylinder head manufacturer's specifications and maximum lifts. If you deviate from these specifications such as using longer valves to increase lift, you will need a custom part number made to keep geometry correct.

Steel Billet Rockers
For All Popular Applications

Stainless Steel

Shaft Mounted Rocker Systems



SHAFT REPLACEMENTS

Part#	Description
74501X001	Chevrolet SB Cylinders 1,5,8,4 11/16"
74501X002	Chevrolet SB Cylinders 3,7,6,2 11/16"
74501X003	Chevrolet SB SB2 11/16"
74501X004	Pontiac 11/16"
74501X020	Chevrolet BB 11/16"
74501X001F	Chevrolet SB Cylinders 1,5,8,4 5/8"
74501X002F	Chevrolet SB Cylinders 3,7,6,2 5/8"
74501X008F	Ford 351 5/8"
74501X020F	Chevrolet BB 5/8"
74501X027F	BB Iron casting

Stainless Steel Shaft Rocker Replacement Bodies

Our replacement bodies are built to the same exacting tolerances as our shaft assemblies for true bolt-on accuracy and repeatability. They include the adjusting components, tip assembly and bearings. They are fully assembled, ready for mounting. Specify engine, head, which cylinder, intake or exhaust, ratio and offset when ordering.

#74510 Shaft Rocker Body 1 only



SHAFT SPACERS

Hardened steel spacers for proper valve stem-to-rocker tip alignment.

Part#	Description
74526X000	11/16" x 1 1/8" x Custom
74526X015	11/16" x 1 1/8" x .010 thick
74526X045	11/16" x 1 1/8" x .045 thick
74526X055	11/16" x 1 1/8" x .055 thick
74526X065	11/16" x 1 1/8" x .065 thick
74526X075	11/16" x 1 1/8" x .075 thick
74526X085	11/16" x 1 1/8" x .085 thick
74526X100	11/16" x 1 1/8" x .100 thick
74526X125	11/16" x 1 1/8" x .125 thick
74526X145	11/16" x 1 1/8" x .145 thick
74526X190	11/16" x 1 1/8" x .190 thick
74526F250	11/16" x 1 1/8" x .250 thick
74526F018	5/8" x 1 1/8" x .018 thick
74526F020	5/8" x 1 1/8" x .020 thick
74526F030	5/8" x 1 1/8" x .030 thick
74526F060	5/8" x 1 1/8" x .060 thick



Torx Head Shaft Bolts

Shaft bolt fastens rocker shaft to the mounting base stand. (5/16-24 X 1 1/4 Torx Plus)
#74524-002 1 Only



Snap Rings

Snap ring for Stainless shaft rocker assemblies. 11/16 shaft
#73714 1 only
5/8 shaft
#74529S 1 only



Stand-to-Cylinder Head Shims

Mounting base stand shimming is often required to achieve optimum rocker arm-to-valve geometry. Available in three thicknesses. Specify head when ordering

Part#	Description
74527X025	.025 Thick 1 only
74527X050	.050 Thick 1 only
74527X100	.100 Thick 1 only
74530X030	Inv. Sft. Rk. 1 only



Dowel Pin

Dowel pin for locating individual shaft rocker mounting base stands.
Part No. 74531 3/16"
Part No. 74531S 1/8"



Assembled Stainless Steel Shaft Rocker Replacements

Our mounted replacement bodies are fully assembled, ready for mounting. They include the adjusting components, tip assembly, bearings, shaft and shaft spacers. Specify which cylinder, ratio and offset when ordering.

#74503 Shaft Rocker - 1 Assembled Pair for 1 pc. stand

#74505 Shaft Rocker - 1 Assembled Rocker for individual stand



Axle Pin & Wheel Assemblies

Individual parts:
#73715P Axle pin, 1 only
#73715T261 Tip wheel, 1 only



Lash Adjustment Components

#74522 3/8 lash adjuster screw, 1 only

#74523 Lash adjuster jam nut, 1 only 3/8-24 12pt



Needle Bearings

Part#	Description
73713	11/16" dia. x 3/8"
74528X002	11/16" dia. x 1/2"
74528X010	5/8" dia. x 7/16"
74528X011	5/8" dia. x 1/2"

Stand Bolts

Fasteners for securing mounting base stands to cylinder head. Specify length: 3/4", 1", 1 1/4".

Part#	Description
74525X001	MOUNTING BOLT 7/16 X .750 LONG
74525X002	MOUNTING BOLT 7/16 X 1.000 LONG
74525X003	MOUNTING BOLT 7/16 X .875 LONG
74525X004	MOUNTING BOLT 7/16 X 1.250 LONG
74525X005	MOUNTING BOLT (TO HEAD) 3/8 X .750 LONG
74525X006	MOUNTING BOLT (TO HEAD) 3/8 X 1.000 LONG
74525X007	PLATE BOLT FLAT HEAD TORX PLUS 3/8-16 X 1.00
74525X007M	LS STAND BOLT FLAT HEAD TORX 8mm X 1.25



Accessories

Adjustable Pushrod Gauge

Allows you to quickly determine the precise pushrod length requirement. A must have tool for achieving optimum valve train geometry.

Part#	Description
70480	5.500" to 6.500"
70481	6.500" to 7.500"
70482	7.500" to 8.500"
70483	8.500" to 9.500"
70485	includes one of each length



Torx Drive Insert
Fits our shaft bolts.
#74307

Shaft Height Gauge kit

Clever tool makes quick work of setting optimum stand and shaft rocker height.
#74300X004 11/16" Gauge
#74300X625 5/8" Gauge
#74301F2 5/8" Shaft
#74301 11/16" Shaft



Testing/Checking Spring

Set of 2
87601-SPR



E-Z Wrench

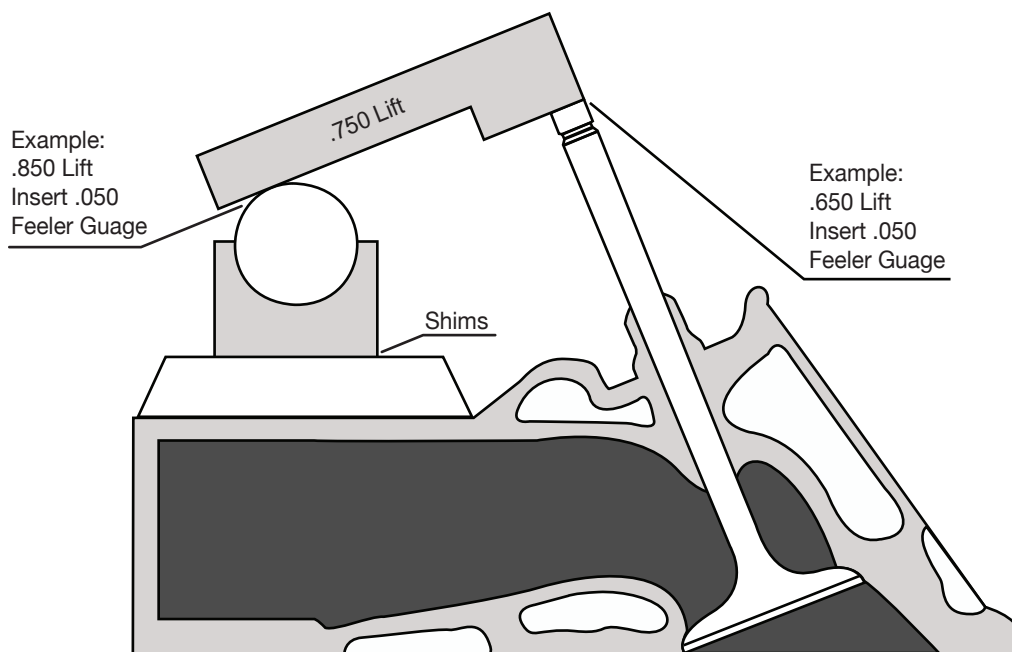
A must have for quick rocker adjustment. 7/16 12 point wrench with 1/8 hex. Also available with 5/32 hex.
#74305-1/8"
#74305N-5/32"



Installation Instructions

Guage Instructions & Torque Specs

While securing valve seat, place guage on valve shown. Raise or lower rocker stand until guages makes contact with setup shaft supplied.



Shaft Bolt Torque Specs:	
5/16 - 24	25 ft lbs. with oil
	28 ft lbs.
Stand Bolts:	
7/16 - 20	55 ft lbs. with thread inserts.
	Without inserts use head manufacturer torque specs. Use thread sealant.
1/4 - 20	5 - 10 ft lbs.
3/8 - 16	35 ft lbs.
Bracket to Head:	
8 mm	25 ft lbs. with oil
	28 ft lbs.

Note: The shaft height guage supplied with this assembly is manufactured for 0.750" of valve lift. For lifts less than 0.750", the shaft height should be raised by half the difference. For lifts greater than 0.750" lift, the shaft height should be lowered by half the difference. See Example

Please visit www.crower.com, or call Crower for any further installation questions.

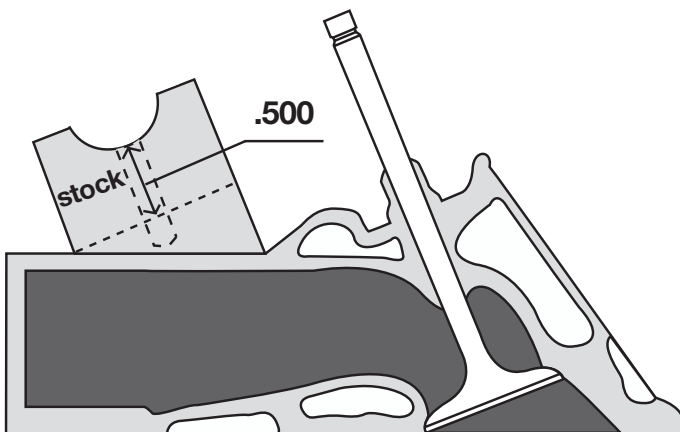
Installation Instructions

LS-7 STOCK GM ALUMINUM HEAD / BRODIX STS BR-7

Machine work required for stainless steel shaft mounted rocker system.

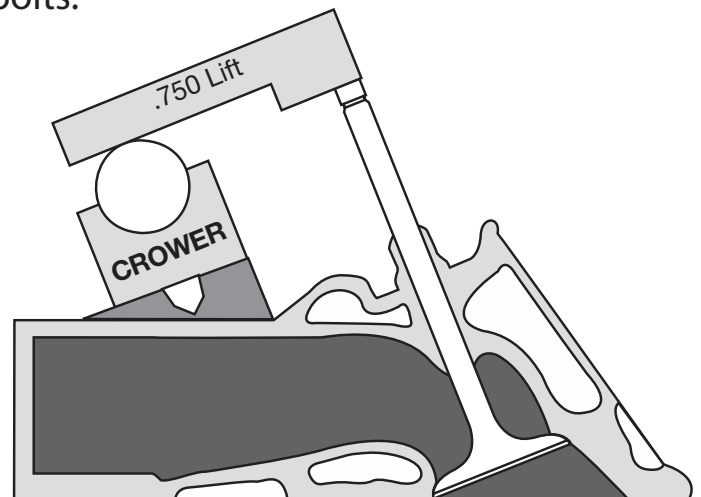
You must machine down original GM rocker pedestal at 7° degree angle same as hold down bolt, cut pad area only (do not cut across the intake port), machine pedestal down .500 from bottom of radius in stock pedestal as shown in Fig.1. Using gage provided check rocker stand height as shown in Fig. 2.

Note: This number .500 was determined using stock length valves and .750 lift. If you use different length valves and different lift you must adjust accordingly. Now drill and tap 8mm x 1.25, hold down bolts as deep as possible. Use caution not to drill into intake port If you do use thread sealant on bolts.



MACHINE WORK REQUIRED.

Figure. 1



MACHINE WORK REQUIRED.

Figure. 2

Shaft Bolt Torque Specs:	
5/16 - 24	25 ft lbs. with oil
	28 ft lbs.
Stand Bolts:	
8 mm	25 ft lbs. thread sealant
	28 ft lbs.

While securing valve seat, place gage on valve as shown.

Raise or lower rocker stand until gage makes contact with setup shaft supplied.

Note: The shaft height gage supplied with this assembly is manufactured for 0.750" of valve lift. For lifts less than 0.750", the shaft height should be raised by half the difference. For lifts greater than 0.750" lift, the shaft height should be lowered by half the difference. See Example on pg 158

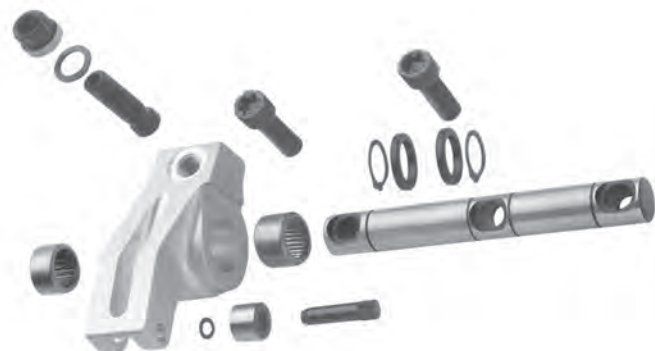
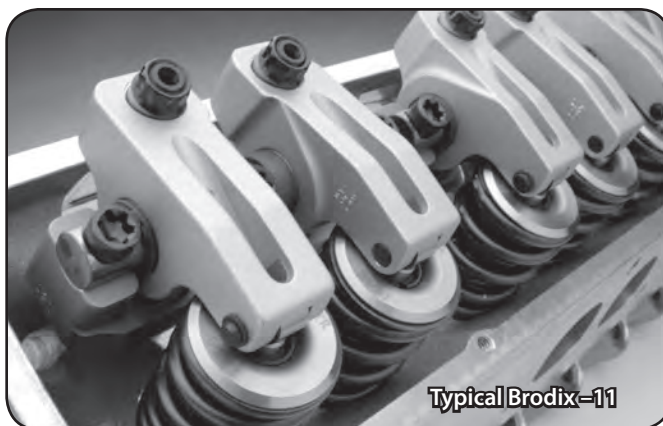
Please visit www.crower.com, or call Crower for any further installation questions.

Aluminum Shaft Mounted Rocker Arms

Each of our Aluminum Shaft Rocker configurations is impeccably designed and produced to maximize valve train rigidity and accuracy while offering a minimal amount of reciprocating mass.

We have utilized the longest arm lengths practical for each application. The results are minimal rocker tip travel and associated frictional losses as well as the capability to accommodate large diameter valve springs with ease.

Speaking of ease, these set-ups allow for the quickest at-the-track valve train modifications around. Any task that requires rocker removal can be performed without concern for absolute accuracy and repeatability upon reassembly.

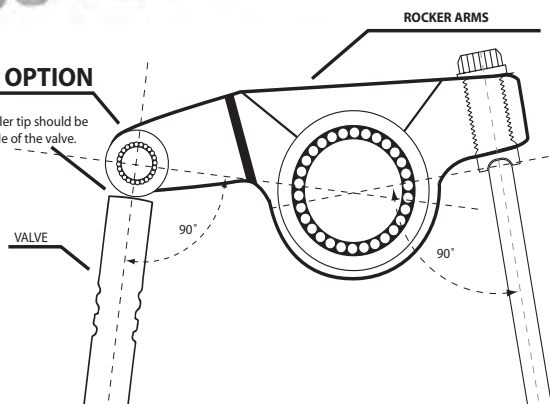


NEEDLE BEARING TIP OPTION

All Crower stud and shaft mount rocker arms are available with Crower's new needle bearing roller tip option. Results are greatly reduced friction for added horsepower and reduced valve guide and valve stem wear. The lighter tip delivers greater valve control for increased rpm and improves valve spring longevity by decreasing heat over traditional non needle designs. **Specify #72915R option for aluminum (stud or shaft) when ordering rocker arms.**

NEEDLE BEARING TIP OPTION

1/2 Valve lift roller tip should be on the middle of the valve.



NEEDLE BEARING TIP OPTION

#72915R



REGULAR ROLLER TIP



Offset Guide

Straight

.100" Offset Right

.150"-.175" Offset Right

.250" Offset Right

.350"-.650" Offset Right



Aluminum Shaft Mounted Rocker Arms



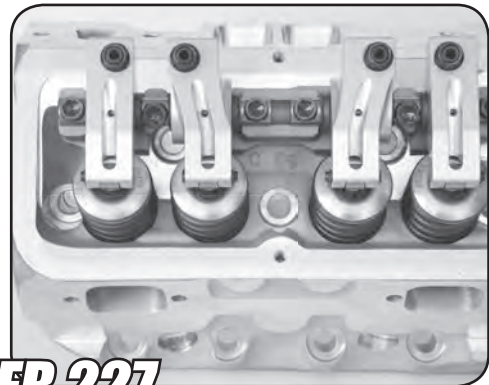
Dart-Pro-1



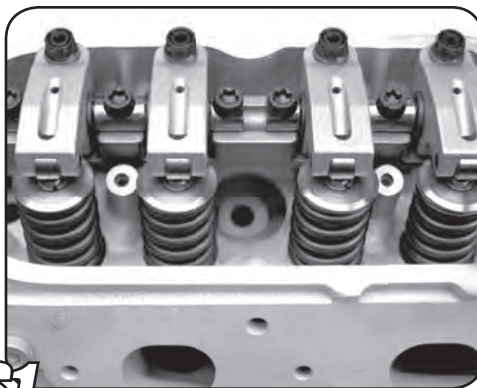
Brodix-BB-3 xtra



Ford-Motorsports-A-460



AFR-227



LS1

Note:

Crower has manufactured its Shaft Rocker Systems to cylinder head manufacturer's specifications and maximum lifts. If you deviate from these specifications such as using longer valves to increase lift, you will need a custom part number made to keep geometry correct.

Aluminum Shaft Mounted Rocker Systems

AFR

New for 2015 the EnduraMax
 Bushing option in rocker tips
#73715BB



Part#	Description	Arm Length	Intake Offset	Exhaust Offset	Stand I.D. #	Stand Part #
75101	LS1	1.450	.100	.075	108	75101X108
75130	SBC 227 Old Style	1.520	.450	.100	125	75400X125
75131	SBC 180/210 Old Style	1.520	.250	.100	110	75400X110
75132	SBC 215 RR	1.520	.450	.100	125	75400X125
75132	SBC 180/220 Old Style	1.520	.450	.100	125	75400X125
75139	SBC 180cc thru 220cc w/L-98 bolt pattern Eliminator Street Head	1.450	.250	.100	102	75400X102
75140	SB Ford 165cc - 225cc	1.520	.000	.000	008	75400X008

ALL PRO

Needle Bearing Tip Option
#72915R



Part#	Description	Arm Length	Intake Offset	Exhaust Offset	Stand I.D. #	Stand Part #
75134	23° 40/60	1.520	.450	.100	121	75400X121
75135	17°	1.620	.450	.175	113	75400X113
75168	13° 272/280 Ultra Series	1.650	.750	.250	123	75400X123

BRODIX

Part#	Description	Arm Length	Intake Offset	Exhaust Offset	Stand I.D. #	Stand Part #
75116	SBC Track I	1.450	.150	.100	114	75400X114
75116	SBC Irwindale Spec	1.450	.150	.100	114	75400X114
75126	SBC Track 1 x 40/60	1.520	.250	.100	121	75400X121
75112	SBC -8 through -11	1.450	.250	.100	114	75400X114
75112L	SBC -8 through -11 Ratio over 1.75	1.520	.250	.100	114	75400X114
75126	SBC 10x 11x 40/60 & ASCS	1.520	.250	.100	121	75400X121
75127**	SBC 10x 11x 40/60 & ASCS	1.520	.450	.100	121	75400X121
75121	SBC BD1010	1.650	.700	.000	157	75400X157
75122*	SBC -12 & LA	1.650	.500	.100	123	75400X123
75136	SBC 12X12	1.650	.550	.100	123	75400X123
75124*	SBC 12X12RP LA	1.650	.550	.100	123	75400X123
75137**	SBC 12X12RP XLA	1.750	.650	.100	119	75400X119
75129	SBC 18° Clone	1.520	.550	.250	121	75400X121
75125*	SBC 18° Clone LA	1.650	.550	.250	113	75400X113
75126	SBC 18x 40/60	1.520	.250	.100	121	75400X121
75142	SBC GB-2200 13.5°	1.650	.650	.150	123	75400X123
75168	SBC GB-2300 & GB-2000	1.650	.750	.250	123	75400X123
75000	BBC Special Order	.000	.000	.000	000	000
75716F	BBC SR-20	1.850	.000	.000	141F Int. 142F Exh.	75400X141F 75400X142F
75012	BBC Big Duke 18° PB1800 & PB1802 (individual stand)	Int. 1.650 Exh. 1.850	.600/1.300	.000	381IW Int. 381I Int. 381E Exh.	75400X381IW 75400X381I 75400X381E +.100
75015	BBC Big Duke PB1803 18° (individual stand)	Int. 1.650 Exh. 1.850	1.150/.600	.000	382IW Int. 382I Int. 382E Exh.	75400X381IW 75400X381I 75400X381E +.100
75016	BBC Big Duke 18° (KC 1600) (individual stand)	1.850	1.300/.600	.000	382IW Int. 382I Int. 382E Exh.	75400X382IW 75400X382I 75400X382E

* One piece intake stand, no machine work required.

Most shaft rocker assemblies are available with optional offsets. If you don't find the offset you require, please ask about availability.

*LA = Long Arm **Optional offset

Ratios over 1.8 may require a long arm rocker arm.

Arm lengths over 1.650 are available in aluminum only.

Aluminum Shaft Mounted Rocker Systems

CANFIELD

Part#	Description	Arm Length	Intake Offset	Exhaust Offset	Stand I.D. #	Stand Part #
75111	23° 400 SBC	1.450	.100	.100	114	75400X114
75131	Small Runner SBC	1.520	.250	.100	110	75400X110
75132	Large Runner SBC	1.520	.450	.100	125	75400X125
75144	23° 220 SBC	1.480	.450	.100	124	75400X124

New for 2015 the EnduraMax
Bushing option in rocker tips
#73715BB



Needle Bearing Tip Option
#72915R



DART

Part#	Description	Arm Length	Intake Offset	Exhaust Offset	Stand I.D. #	Stand Part #
75103	S.B. Chev. Pro 1 227 23°	1.480	.300	.200	326	75400X114
75181	SBC Platinum Series	1.450	.250	.100	120	74500X120
75112**	SBC Pro 1	1.450	.250	.100	114	75400X114
75112L	SBC Pro 1 Ratio over 1.75	1.520	.250	.100	114	75400X114
75111	SBC Dart II Sportsman	1.450	.100	.100	114	75400X114
75112**	SBC Dart II Sportsman	1.450	.250	.100	114	75400X114
75112L	SBC Dart II Sportsman Ratio over 1.75	1.520	.250	.100	114	75400X114
75111	SBC 230 Iron Eagle	1.450	.100	.100	114	75400X114
75112**	SBC 230 Iron Eagle	1.450	.250	.100	114	75400X114
75112L	SBC 230 Iron Eagle Ratio over 1.75	1.520	.250	.100	114	75400X114
75127	SBC 23° RR 40/60	1.520	.450	.100	121	75400X121
75128	SBC 18° Clone	1.520	.550	.250	120	75400X120
75117*	SBC 18° Clone LA	1.650	.550	.250	111	75400X111
75007	BBC Big Chief/14° Early Style (individual stand)	1.650	1.300/.600	.000	3815e Exh. 3815i Int. 3815iw Int.	75400X3815e 75400x3815i 75400x3815iw
75001	BBC Big Chief/18° (individual stand)	1.650	1.300/.600	.000	381e Exh. 381i Int. 381iw Int.	75400X381e 75400x381i 75400x381iw
*75710F	BBC Race Series 18° oval	1.850	.150/.100	.000	196F Int. 197F Exh.	75400X196 75400x197

DODGE

Part#	Description	Arm Length	Intake Offset	Exhaust Offset	Stand I.D. #	Stand Part #
75170	Viper (2002-prior) Gen 1 & 2	1.450	.150	.150	190	75400X190
75171	Viper (2003-up) Gen 3	1.450	.100	.000	191	75400X191
75172	Viper (2003-up) JM-Striker	1.450	.350	.000	195	75400X195
90720-2	Billet aluminum spacer kit					

* One piece intake stand,
no machine work required.

Most shaft rocker assemblies are available with optional offsets. If you don't find the offset you require, please ask about availability.

*LA = Long Arm **Optional offset
Ratios over 1.8 may require a long arm rocker arm. Arm lengths over 1.650 are available in aluminum only.

Note:

Crower has manufactured its Shaft Rocker Systems to cylinder head manufacturer's specifications and maximum lifts. If you deviate from these specifications such as using longer valves to increase lift, you will need a custom part number made to keep geometry correct.

Aluminum Shaft Mounted Rocker Systems

EDELBROCK

New for 2015 the EnduraMax
Bushing option in rocker tips
#73715BB



Part#	Description	Arm Length	Intake Offset	Exhaust Offset	Stand I.D. #	Stand Part #
75131	SBC Victor Jr	1.520	.250	.100	110	75400X110
75111	SBC Performer	1.450	.100	.100	114	74500X114
75128	SBC Victor 18°	1.520	.550	.250	120	75400X120
75118*	SBC Victor 18° LA	1.650	.550	.250	111	75400X111
75155	SBC Victor 23° High Port	1.520	.450	.250	121	75400X121
75283	302/351 Ford Victor Jr. SBF	1.450	.000	.000	156	75400X156
75282	Ford V-351 Edelbrock SBF	1.520	.500	.000	152	75400X152
75163	Pontiac BB 326-455	1.520	.100	.100	160	75400X160
75165**	Pontiac BB 326-455	1.520	specify	specify	160	75400X160

FORD & SVO

Part#	Description	Arm Length	Intake Offset	Exhaust Offset	Stand I.D. #	Stand Part #
75283	SB Ford 302/351 Stock Production	1.475	.000	.000	150	75400X150
75284	Z-304 SB Ford	1.575	.220	.000	158	75400X158
75280	Ford 351-N (SVO) SB Ford	1.475	.150	.150	150	75400X150
75287	351 Ford Irwindale Spec	1.475	.000	.000	150	75400X150
75087	C460 1pc. stand BB Ford	1.650 Int. 1.750 Exh.	1.000	.000	155	75400X155
75788	BB Eliminator by IDT	1.600	.000	.000	188T Int. 189T Exh.	75400X188T 75400X189T
75789	A-460 Ford Motorsports BB Ford (individual stand)	1.600	.000	.000	188 Int. 189 Exh.	75400X188 75400X189

Needle Bearing Tip Option
#72915R

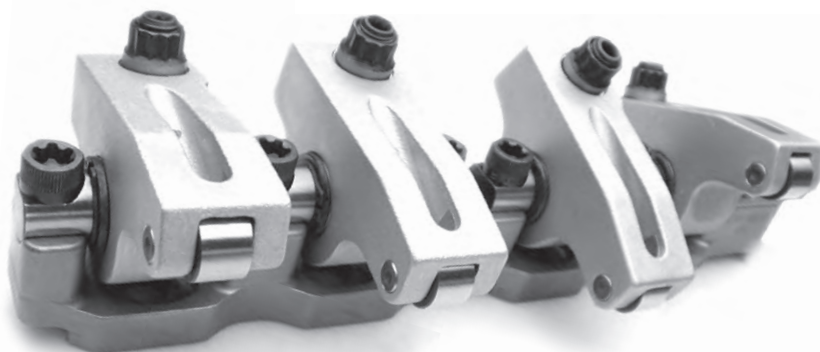


Note:

Crower has manufactured its Shaft Rocker Systems to cylinder head manufacturer's specifications and maximum lifts. If you deviate from these specifications such as using longer valves to increase lift, you will need a custom part number made to keep geometry correct.

Part#	Description	Arm Length	Intake Offset	Exhaust Offset	Stand I.D. #	Stand Part #
75218	V6 18° LA	1.650	.550/.650	.250	106	75400X106
75101	LS1/LS2/LS6 - Gen III	1.450	.000	.000	108	74500X108
75111	SBC Iron & Bowtie	1.450	.100	.100	114	75400X114
75116	SBC Iron & Bowtie	1.450	.150	.100	114	75400X114
75119	SBC Phase 6 Alum. Bowtie	1.520	.250	.100	110	75400X110
75128	SBC 18°	1.520	.550	.250	120	75400X120
75117*	SBC 18° LA	1.650	.550	.250	111	75400X111
75120	SBC 2-2 Head & Block	specify	specify	specify	131	75400X131
75122	Pontiac/SBC 15° LA	1.650	.500	.100	123	75400X123
75162	Pontiac/SBC 40/60	-	-	-	110	75400X110
75126	Pontiac/SBC 23° 867 40/60	1.520	.250	.100	120	75400X120
75127**	Pontiac/SBC 23° 867 40/60	1.520	.450	.100	120	75400X120
75163	Pontiac BB 326/455	1.520	.100	.100	160	75400X160

* One piece intake stand, no machine work required.



Most shaft rocker assemblies are available with optional offsets. If you don't find the offset you require, please ask about availability.

*LA = Long Arm **Optional offset

Ratios over 1.8 may require a long arm rocker arm.

Arm lengths over 1.650 are available in aluminum only.

Aluminum Shaft Mounted Rocker Systems

IDT

Part#	Description	Arm Length	Intake Offset	Exhaust Offset	Stand I.D. #	Stand Part #
75788	BBF Eliminator	1.600	.000	.000	188t Int. 189t Exh.	75400X188t 75400X189t

New for 2015 the EnduraMax
Bushing option in rocker tips
#73715BB



RHS / PRO TOPLINE / PRO ACTION

Part#	Description	Arm Length	Intake Offset	Exhaust Offset	Stand I.D. #	Stand Part #
75116	SBC Iron Lightning & 23°	1.450	.150	.100	114	75400X114
75123	SBC 23° Iron RR	1.520	.450	.100	110	75400X110
75153*	SBC 23° Iron RR LA	1.650	.450	.100	111	75400X111
75138	SBC 14°	1.650	.550	.250	116	75400X116
75113	SBC 220 Motown Hard Core	-	-	-	125	75400X125
75118	SBC Pro Action 220 Motown 23°	1.520	.550	.250	120	75400X120

TFS

Part#	Description	Arm Length	Intake Offset	Exhaust Offset	Stand I.D. #	Stand Part #
75154	SBC -5 18°	1.520	.550	.250	110	75400X110
75112	SBC 23°	1.450	.250	.100	114	75400X114
75750	BBF A-460	1.650	.075	.000	320 Int. 320 Exh.	75400X320i 75400X320e

Needle Bearing Tip Option
#72915R



*** One piece intake stand, no machine work required.**

Most shaft rocker assemblies are available with optional offsets. If you don't find the offset you require, please ask about availability.

*LA = Long Arm **Optional offset

Ratios over 1.8 may require a long arm rocker arm. Arm lengths over 1.650 are available in aluminum or steel billet.

WORLD PRODUCTS

Part#	Description	Arm Length	Intake Offset	Exhaust Offset	Stand I.D. #	Stand Part #
75111	SBC SR TorqueT	1.450	.100	.100	114	75400X114
75112	SBC Sportsman II	1.450	.250	.100	114	75400X114
75157	SB Ford Manowar 285cc 10° 02315	1.575	.350	.100	103	75400X103

Note:

Crower has manufactured its Shaft Rocker Systems to cylinder head manufacturer's specifications and maximum lifts. If you deviate from these specifications such as using longer valves to increase lift, you will need a custom part number made to keep geometry correct.

Aluminum Shaft Mounted Rocker Parts



Shaft Replacements

Part#	Description
75501X001	Chevrolet SB Cylinders 1,5,8,4
75501X002	Chevrolet SB Cylinders 3,7,6,2
75501X003	Chevrolet SB SB2 1.6 Bolt Centers
75501X004	Pontiac
75501X005	Ford 351N
75501X006	Ford 302 & Windsor
75501X007	Ford Victor 351
75501X020	Chevrolet BB, Ford 460, Olds & Big Duke Exh.
75501X021	Olds 14 $\frac{7}{8}$ / Big Duke .6 intake offset
75501X022	Olds 14 $\frac{7}{8}$ / Big Duke 1.3 intake offset
75501X027	LS1

Aluminum Shaft Rocker Replacement Bodies



Our replacement bodies are built to the same exacting tolerances as our shaft assemblies for true bolt-on accuracy and repeatability. They include the adjusting components, tip assembly and bearings. They are fully assembled, ready for mounting. Specify engine, head, which cylinder, intake or exhaust, ratio and offset when ordering.

#75510 Shaft Rocker Body 1 only



Torx Head Shaft Bolts

Shaft bolt fastens rocker shaft to the mounting base stand. (5/16-24 X 1" 12 Pt)
#74524-001 1 Only



Needle Bearings

#75528X001 9/16" dia. x 3/8"
#75528X002 9/16" dia. x 1/2"



Stand Bolts

Fasteners for securing mounting base stands to cylinder head. Specify length: 3/4", 1", 1 1/4".

Part#	Dia.	Length
74525X001	7/16"	.7500"
74525X002	7/16"	1.0000"
74525X004	7/16"	1.2500"
74525X005	3/8"	.7500"
74525X006	3/8"	1.000"
74525X003	7/16"	.8750"
72525X007M	8mm Bolt	LS

Shaft Spacers for Aluminum Shaft Rockers

Part#	Description
75526X000	9/16 x 3/4 x Custom
75526X030	9/16 x 3/4 x .030 thick
75526X050	9/16 x 3/4 x .050 thick
75526X060	9/16 x 3/4 x .060 thick
75526X085	9/16 x 3/4 x .085 thick
75526X100	9/16 x 3/4 x .100 thick
75526X105	9/16 x 3/4 x .105 thick
75526X290	9/16 x 3/4 x .290 thick
75526X395	9/16 x 3/4 x .395 thick

Shaft Height Gauge kit

Clever tool makes quick work of setting optimum stand and shaft rocker height.
#75300X004 Gauge
#75301 Shaft



Snap Rings

#72914 Snap ring for aluminum shaft rocker assemblies.

Axle Pin & Wheel Assemblies

Individual parts:
#75520C Rotor Clip, 1 only
#72915P Axle pin, 1 only
#72915T Tip wheel, 1 only

Lash Adjustment Components

#75522 Lash adjuster screw, 1 only
#74523 Lash adjuster jam nut, 1 only
#75523W Jam nut washer, 1 only



Assembled Aluminum Shaft Rocker Replacements

Our assembled replacement bodies are fully complete, ready for mounting. They include the adjusting components, tip assembly, bearings, shaft and shaft spacers. Specify which cylinder, ratio and offset when ordering.
#75503 Shaft Rocker - 1 Assembled Pair for 1 pc. stand
#75505 Shaft Rocker - 1 Assembled Rocker for individual stand

Dowel Pin

Dowel pin for locating individual shaft rocker mounting base stands.
Part No. 74531 3/16"
Part No. 74531S 1/8"



Stand-to-Cylinder Head Shims

Mounting base stand shimming is often required to achieve optimum rocker arm-to-valve geometry. Available in three thicknesses. Specify head when ordering.

Part#	Description
74527X025	SBC .025 Thick 1 only
74527X050	SBC .050 Thick 1 only
74527X100	SBC .100 Thick 1 only
74530X045	.045 BBC 1 pc Stand Inv. Sft. Rk. 1 only
Ford & Pontiac	
74521X024	.024 Thick 1 only
74521X050	.050 Thick 1 only
74521X100	.100 Thick 1 only

Adjustable Pushrod Gauge

Allows you to quickly determine the precise pushrod length requirement. A must have tool for achieving optimum valve train geometry.

Part#	Description
70480	5.500" to 6.500"
70481	6.500" to 7.500"
70482	7.500" to 8.500"
70483	8.500" to 9.500"
70485	includes one of each length



Accessories

E-Z Wrench

A must have for quick rocker adjustment. 7/16 12 point wrench with 1/8 hex. Also available with 5/32 hex.

#74305 - 1/8"
#74305N - 5/32"



Torx Drive INSERT

Fits our shaft bolts. 3/8" drive
#74307



Mounting Kit

Kit for individual mounting base stand shaft rocker systems.

#74308 Includes: 1-jig, 1-3/16" drill, 1-Drill stop, 1-Hold down bolt, 32 #74530 shims, 32 #74531 dowel pins
#74309 Includes: 1-jig, 1-1/8" drill, 1-Drill stop, 1-Hold down bolt, 32 #74530 shims, 32 #74531S dowel pins

Testing/Checking Spring

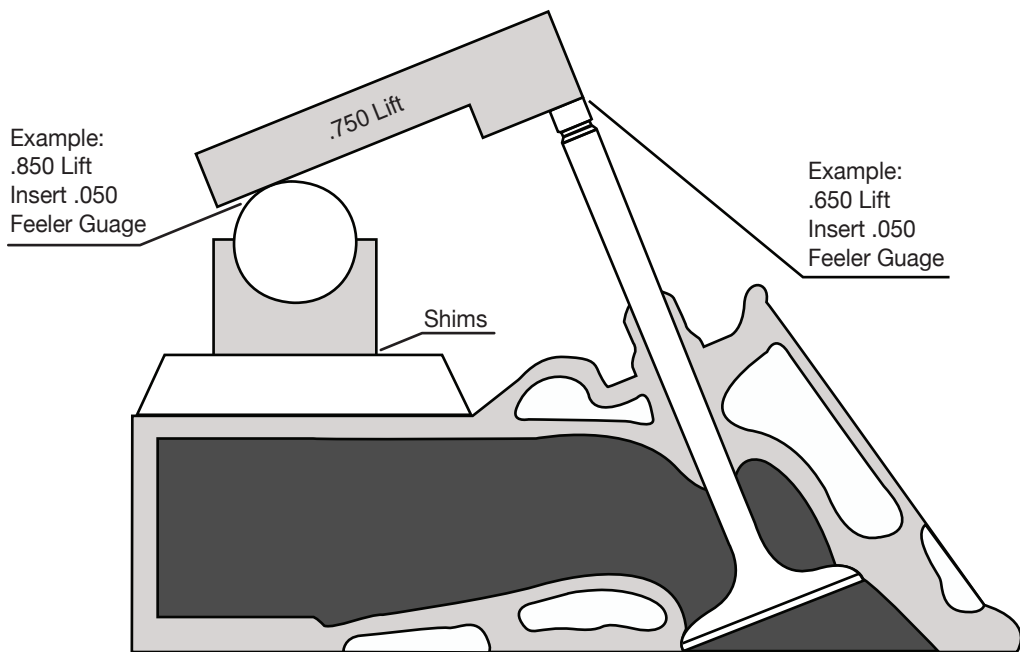
Set of 2
87601-SPR



Installation Instructions

Guage Instructions & Torque Specs

While securing valve seat, place guage on valve shown. Raise or lower rocker stand until guages makes contact with setup shaft supplied.



Shaft Bolt Torque Specs:	
5/16 - 24	25 ft lbs. with oil
	28 ft lbs.
Stand Bolts:	
7/16 - 20	55 ft lbs. with thread inserts.
	Without inserts use head manufacturer torque specs. Use thread sealant.
1/4 - 20	5 - 10 ft lbs.
3/8 - 16	35 ft lbs.
Bracket to Head:	
8 mm	25 ft lbs. with oil
	28 ft lbs.

Note: The shaft height guage supplied with this assembly is manufactured for 0.750" of valve lift. For lifts less than 0.750", the shaft height should be raised by half the difference. For lifts greater than 0.750" lift, the shaft height should be lowered by half the difference. See Example

Please visit www.crower.com, or call Crower for any further installation questions.

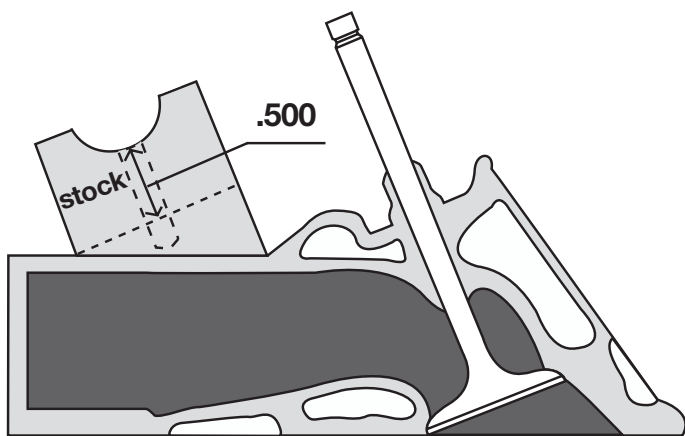
Installation Instructions

LS-7 STOCK GM ALUMINUM HEAD / BRODIX STS BR-7

Machine work required for stainless steel shaft mounted rocker system.

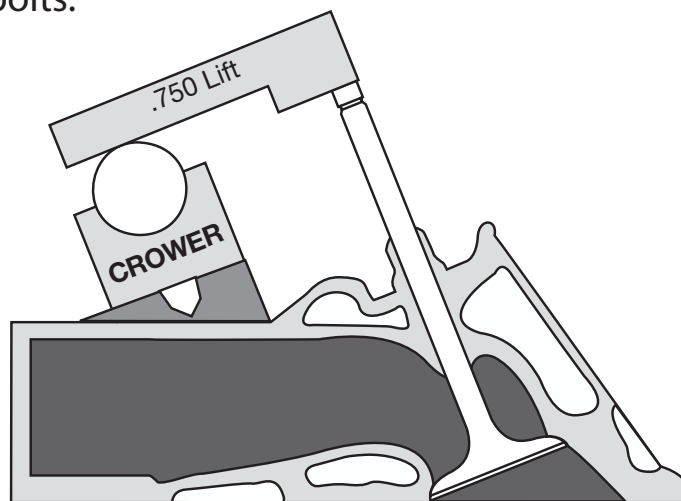
You must machine down original GM rocker pedestal at 7° degree angle same as hold down bolt, cut pad area only (do not cut across the intake port), machine pedestal down .500 from bottom of radius in stock pedestal as shown in Fig.1. Using gage provided check rocker stand height as shown in Fig. 2.

Note: This number .500 was determined using stock length valves and .750 lift. If you use different length valves and different lift you must adjust accordingly. Now drill and tap 8mm x 1.25, hold down bolts as deep as possible. Use caution not to drill into intake port If you do use thread sealant on bolts.



MACHINE WORK REQUIRED.

Figure. 1



MACHINE WORK REQUIRED.

Figure. 2

Shaft Bolt Torque Specs:	
5/16 - 24	25 ft lbs. with oil
	28 ft lbs.
Stand Bolts:	
8 mm	25 ft lbs. thread sealant
	28 ft lbs.

While securing valve seat, place gauge on valve as shown.

Raise or lower rocker stand until gauge makes contact with setup shaft supplied.

Note: The shaft height gauge supplied with this assembly is manufactured for 0.750" of valve lift. For lifts less than 0.750", the shaft height should be raised by half the difference. For lifts greater than 0.750" lift, the shaft height should be lowered by half the difference. See Example on pg 167

Please visit www.crower.com, or call Crower for any further installation questions.