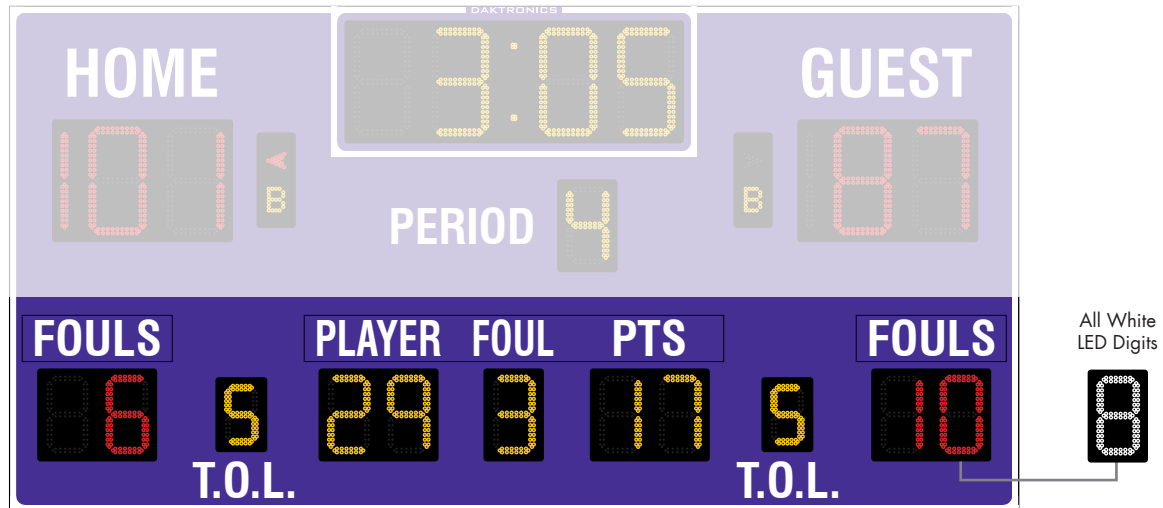


DAKTRONICS BB-2117 PRODUCT SPECIFICATIONS



This indoor single-sided LED basketball scoreboard module displays PLAYER number to 99, player FOUL to nine, player points (PTS) to 99, team FOULS to 99 and T.O.L. (time outs left) to nine. Scoreboard can also score volleyball and wrestling with included caption panels. Scoreboard shown paired together with the BB-2116 scoreboard (see [DD2481881](#)).

POWER (120 VAC)*	UNCRATED WEIGHT	DIMENSIONS
150 Watts, 1.3 Amps	160 lb (73 kg)	3'-0" H x 14'-0" W x 6" D (914 mm x 4.27 m x 152 mm)

*Models with 240 VAC power at half the indicated amperage are also offered (International Use Only).

DIGITS

- PLAYER/FOUL/PTS and FOULS digits are 13" (330 mm) high. T.O.L. digits are 10" (254 mm) high.
- Scoreboard features PanaView® LED digit technology.
- Scoreboard comes with choice of LED colors:
 - > **Red/Amber LEDs:** PLAYER/FOUL/PTS and T.O.L. digits are amber. FOULS digits are red.
 - > **White LEDs:** all digits and indicators are white.

CAPTIONS & STRIPING

- All captions are 6" (152 mm) high.
- FOULS and PLAYER/FOUL/PTS captions are on changeable panels. T.O.L. captions are applied directly to the display face.
- Volleyball and wrestling captions are applied to a reversible caption panel.
- Standard captions and border striping are white vinyl. Choose another vinyl color at no additional cost (see [DD2101644](#)).

DISPLAY COLOR

Choose a color from the Daktronics standard paint book (see [SL-02730](#)).

CONSTRUCTION

Durable, lightweight aluminum Tuff Sport® cabinet withstands high-velocity impact from air-filled sports balls without the need for protective screens.

PRODUCT SAFETY APPROVAL

ETL-listed, tested to CSA standards, and CE-labeled **for indoor use only**

OPERATING TEMPERATURES

- Display: -22° to 122° Fahrenheit (-30° to 50° Celsius)
- Console: 32° to 130° Fahrenheit (0° to 54° Celsius)

WWW.DAKTRONICS.COM E-MAIL: SALES@DAKTRONICS.COM

201 Daktronics Drive, PO Box 5128, Brookings, SD 57006
Phone: 1-800-325-8766 or 605-692-0200 Fax: 605-697-4746
DD2481884 022322 Page 1 of 4



DAKTRONICS BB-2117 PRODUCT SPECIFICATIONS

CONTROL CONSOLES

All Sport® 5000*
(see [SL-03991](#))

CONTROL OPTIONS

Wireless: 2.4 GHz spread spectrum radio features 64 non-interfering channels and 8 broadcast groups (see [SL-04370](#)). This is a popular upgrade.

Wired: One-pair shielded cable of 22 AWG minimum is required. A cover plate with mounted connector and standard 2" x 4" x 2" (51 mm x 102 mm x 51 mm) outlet box is provided. Connector mates with signal cable from control console.

* Controller not included with standard purchase; display controlled by the same console controlling the basketball scoreboard.

GENERAL INFORMATION

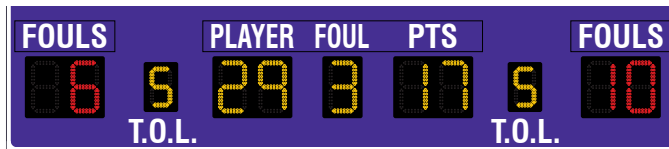
Scoreboard provides scoring capabilities for two teams. 100% solid state electronics are housed in an all aluminum cabinet. Scoreboard arrives at the site fully assembled. Mounting hardware not included. Specifications and pricing are subject to change without notice.

OPTIONS & ACCESSORIES

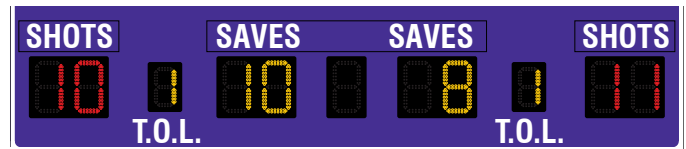
- Football, hockey/soccer/lacrosse, and/or tennis captions on changeable panels

INCLUDED SCORING MODES

The sports below may be scored out of the box with included caption panels.



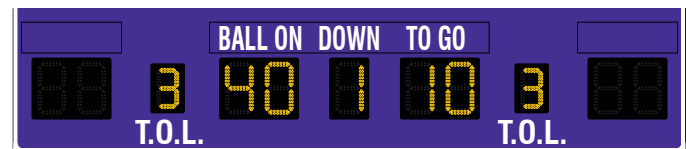
Basketball Mode



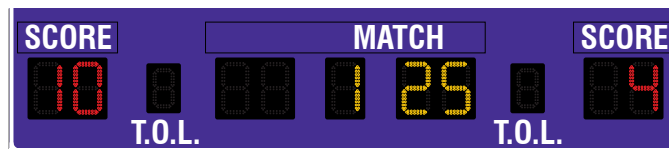
Hockey/Soccer/Lacrosse Mode



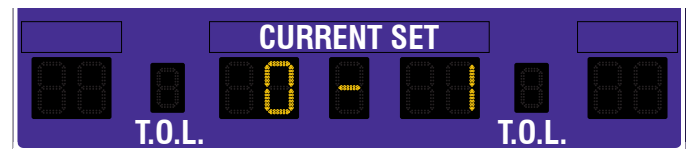
Volleyball Mode



Football Mode



Wrestling Mode

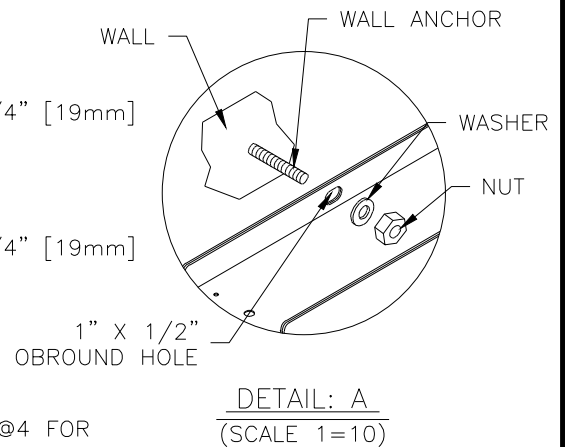
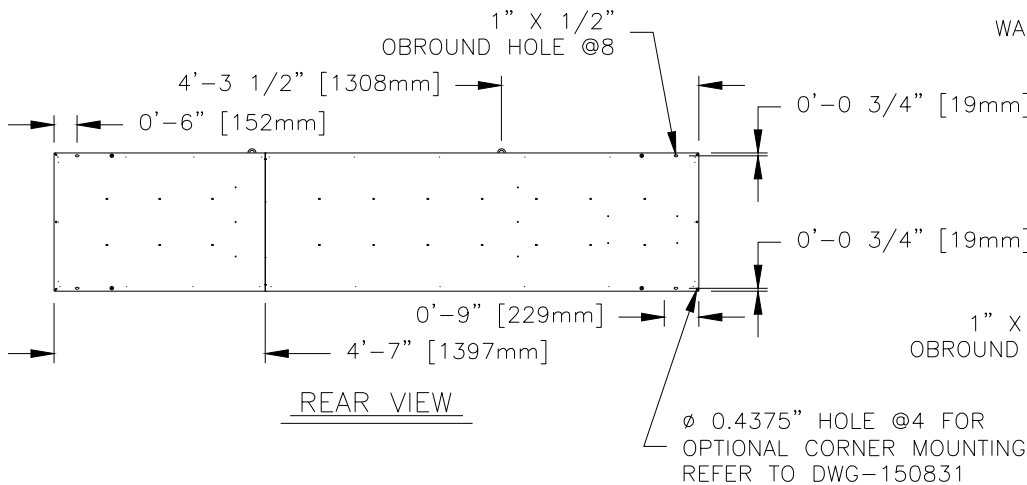
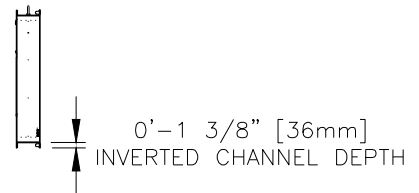
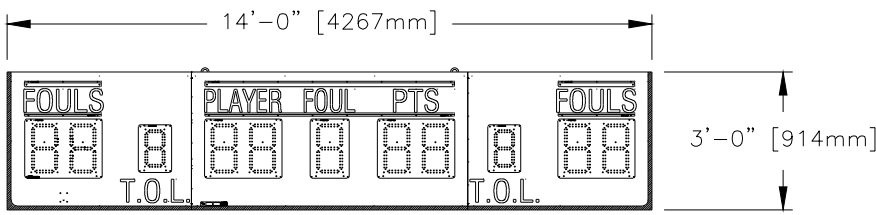
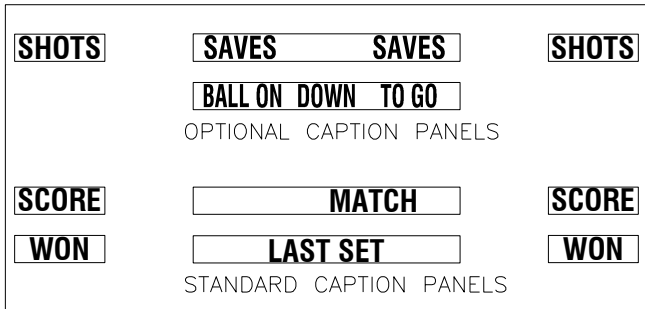
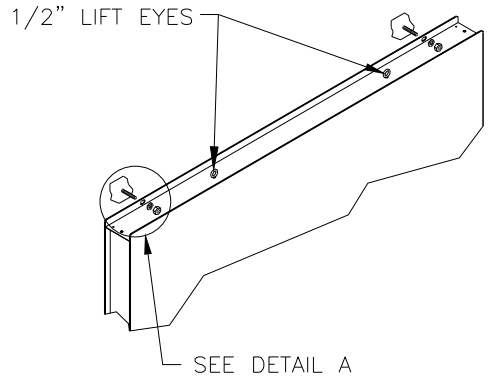
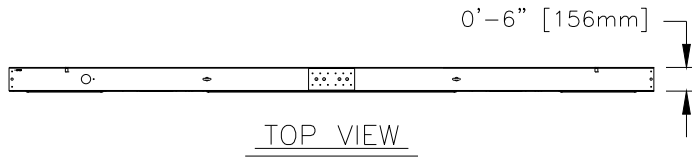


Tennis Mode

FOR ADDITIONAL INFORMATION

- Mechanical Specifications: DWG-1157739 (attached)
- Component Locations: DWG-1157862 (attached)
- Architectural Specifications: See [SL-04797](#)
- Installation Manual: See [DD2481645](#)
- Service Manual: See [DD2481648](#)

BB-2117



NOTES:

1. USE APPROPRIATE WALL ANCHORS FOR TYPE OF WALL. (NOT PROVIDED BY DAKTRONICS)
2. LIFT EYE IS FOR TEMPORARY USE WHILE LIFTING SCOREBOARD DURING INSTALLATION. DO NOT USE LIFT EYE FOR PERMANENT SUSPENSION. (REFER TO DWG-1130959)

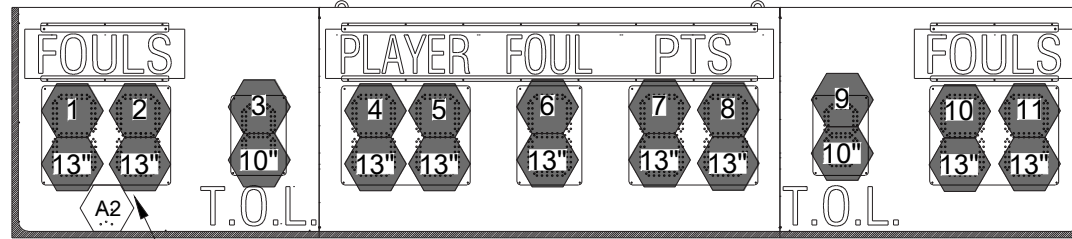
WEIGHTS

SHIPPING WEIGHT	MOUNTING WEIGHT
255 LBS (116 KG)	160 LBS (73 KG)

<p>DAKTRONICS, INC. BROOKINGS, SD 57006 DO NOT SCALE DRAWING</p>	<p>THE CONCEPTS EXPRESSED AND DETAILS SHOWN ON THIS DRAWING ARE CONFIDENTIAL AND PROPRIETARY. DO NOT REPRODUCE BY ANY MEANS WITHOUT THE EXPRESSED WRITTEN CONSENT OF DAKTRONICS, INC. COPYRIGHT 2013 DAKTRONICS, INC.</p>		
	<p>PROJ: INDOOR SCOREBOARDS TITLE: MECHANICAL SPEC - BB-2117</p>		
DESIGN: JROBERS	DRAWN: JROBERS	DATE: 02 DEC 13	
SCALE: 1/50			
SHEET	REV	JOB NO:	FUNC-TYPE-SIZE
	00	P1749	E-10-A
			1157739

BB-2117

POWER AND SIGNAL INTERCONNECT
INTO UPPER BB-2116 (P51)



SECONDARY
DRIVER (A2)

NOTES:

 = DIGIT DESIGNATION
= IN RELATION TO DRIVER

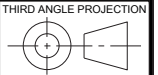
 = DIGIT SIZE

 = DRIVER NUMBER

REV 03	DATE: 28 MAY 19	PER CN-80249; REPLACED LL-2525 LABELS WITH LL-4172151 LABELS.	BY: AGM
REV 02	DATE: 03 MAR 15	PER EC-17119, REMOVED DRIVER DETAIL ADDED PRIMARY TO DRIVER LEADER NOTE	BY: KDB
REV 01	DATE: 16 SEP 14	PER EC-15855, REMOVED "OPTIONAL RADIO" NOTE	BY: KWR



THE CONCEPTS EXPRESSED AND DETAILS SHOWN ON THIS DRAWING ARE CONFIDENTIAL AND PROPRIETARY. DO NOT REPRODUCE BY ANY MEANS WITHOUT THE EXPRESS WRITTEN CONSENT OF DAKTRONICS, INC. OR ITS WHOLLY OWNED SUBSIDIARIES. COPYRIGHT 2017 DAKTRONICS, INC. (USA)



PROJECT: INDOOR SCOREBOARDS			
TITLE: COMPONENT LOCATION; BB-2117			
DATE: 03 DEC 13	DIM UNITS: INCHES [MILLIMETERS]	SHEET	REV
SCALE: 1/30	DO NOT SCALE DRAWING		03
DESIGN: DOPPELT	JOB NO. P1749	FUNC - TYPE - SIZE E - 10 - A	1157862
DRAWN: DOPPELT			