



Flowcharts of Pass1 & Pass2

pass 1 Macro Definition

initialize (MDTC, MNTC ← 1)

Ⓐ

read card

MACRO op?

no

copy of source card

END?

yes

[goto pass 2]

yes

read card
(macro name line)

MNT(MNTC)
← MDTC,
macro name

MNT macro name
MDTC pointer
(MNTC ← MNTC + 1)

prepare ALA
& MDT
macro name
(mdtc ← mdtc + 1)

MDT(MDTC)
← src line

read
card

macro
body

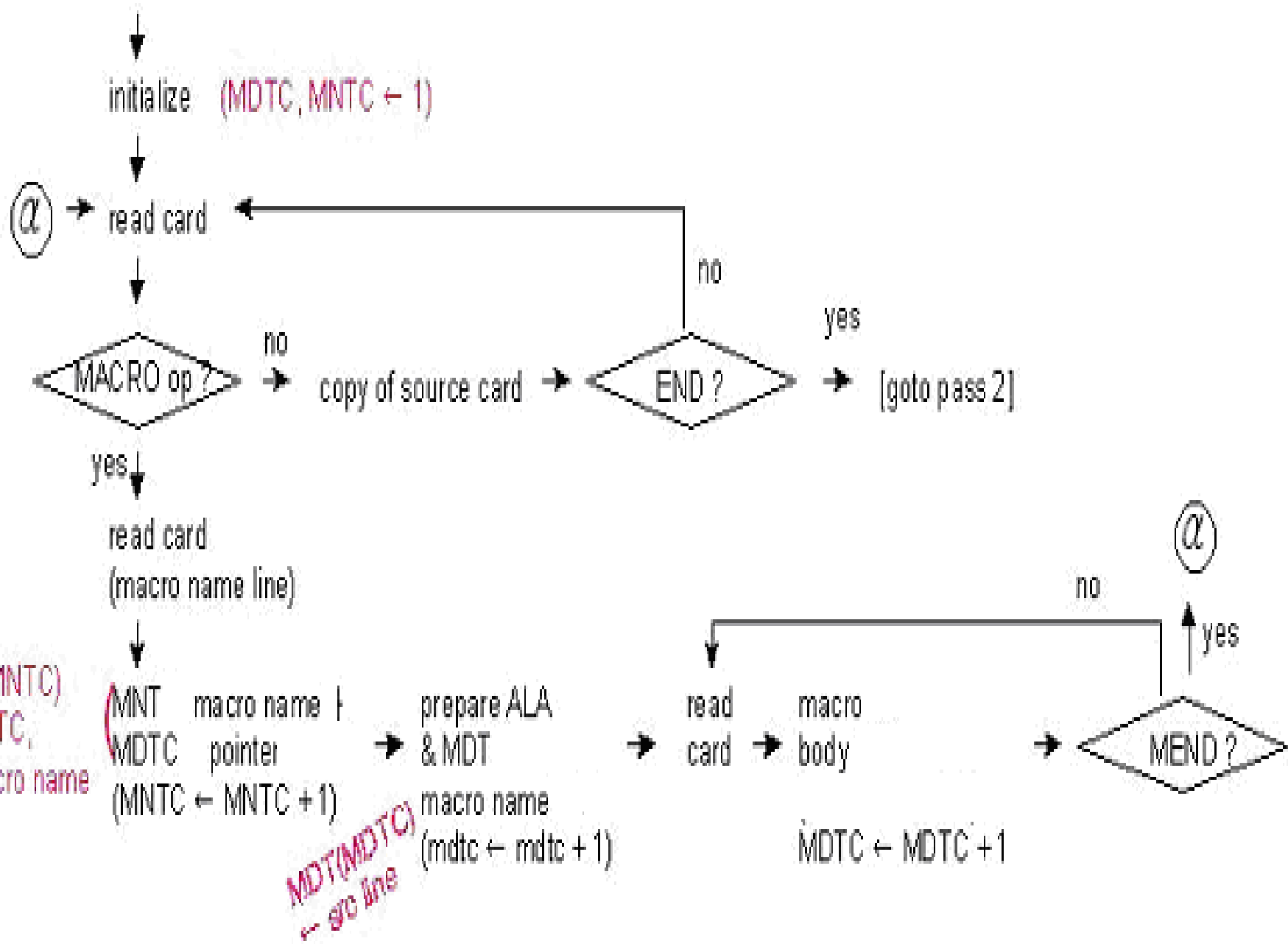
MDTC ← MDTC + 1

no

MEND?

Ⓐ

yes



pass 2

Macro calls & expansion

A

read card

(from pass 1)

MNT

MACRO name found?

no

expanded source에 첨가

A

no

yes

END?

[goto assembler]

MNTC found

yes

MDTP ← MDT index (MNT (MNTC). index)

ALA set up (#i ↔ argument)

MDTP ← MDTP + 1

.MDT

.arg.

line get

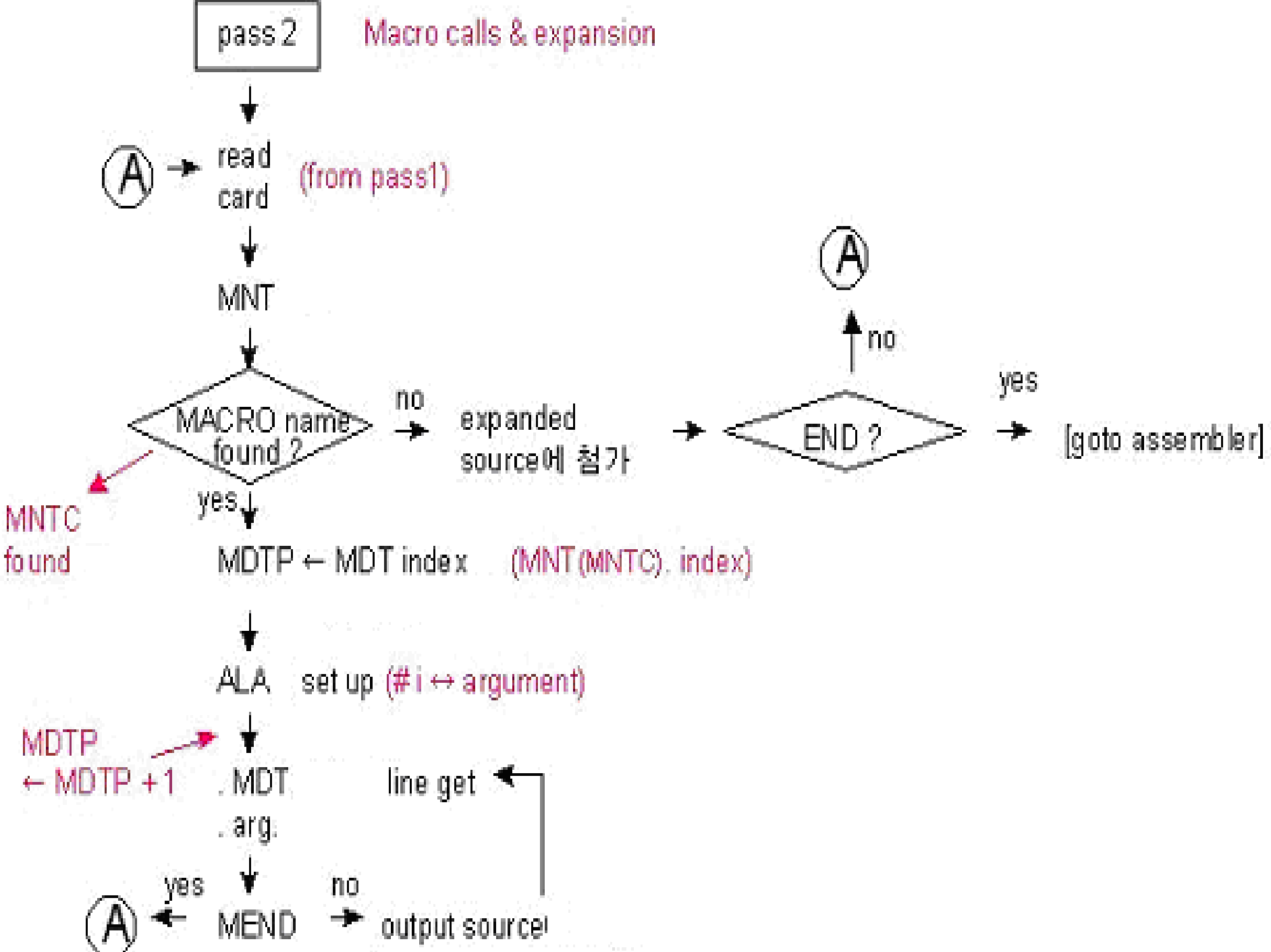
yes

no

A

MEND

output source!

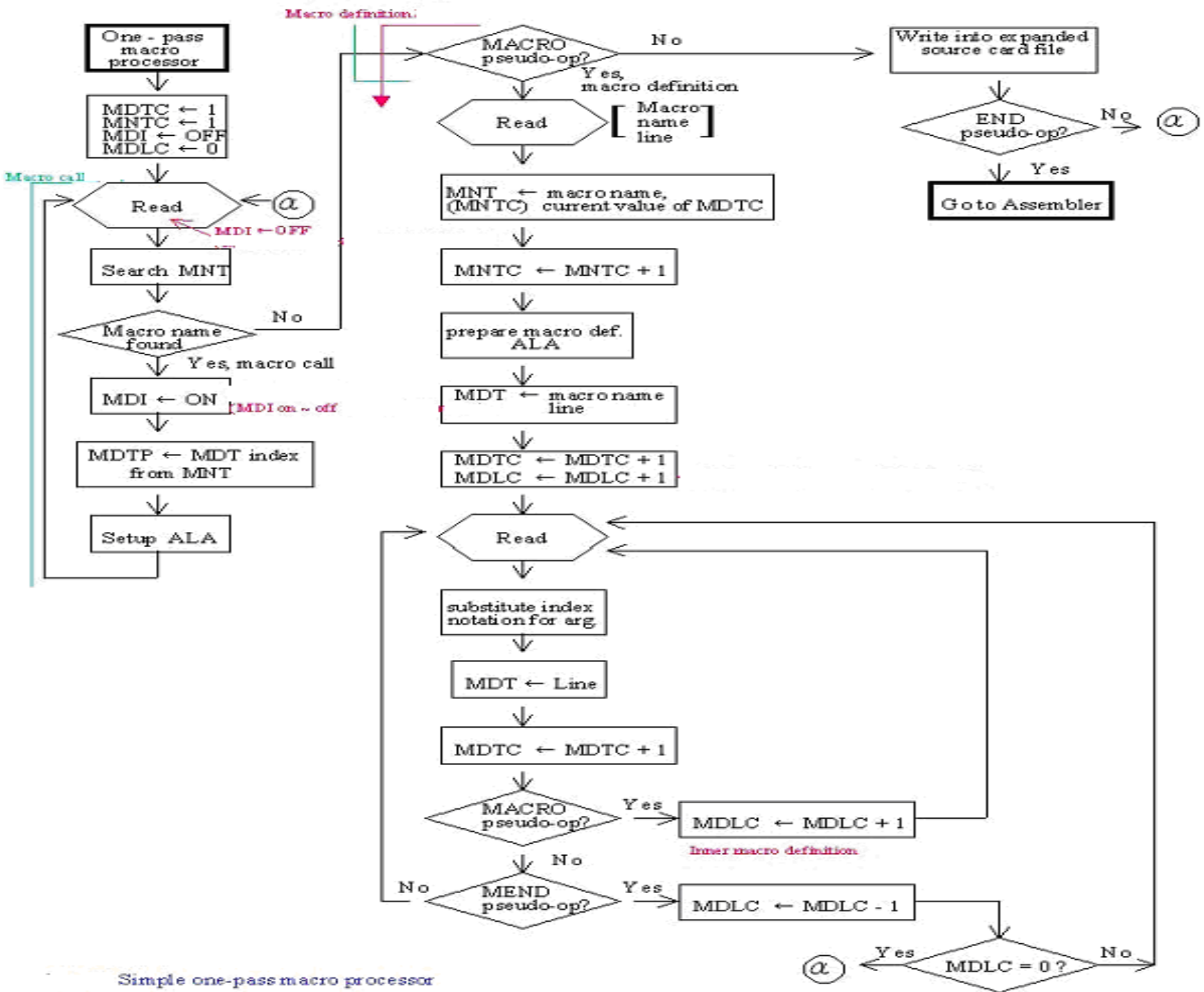


Extra variables

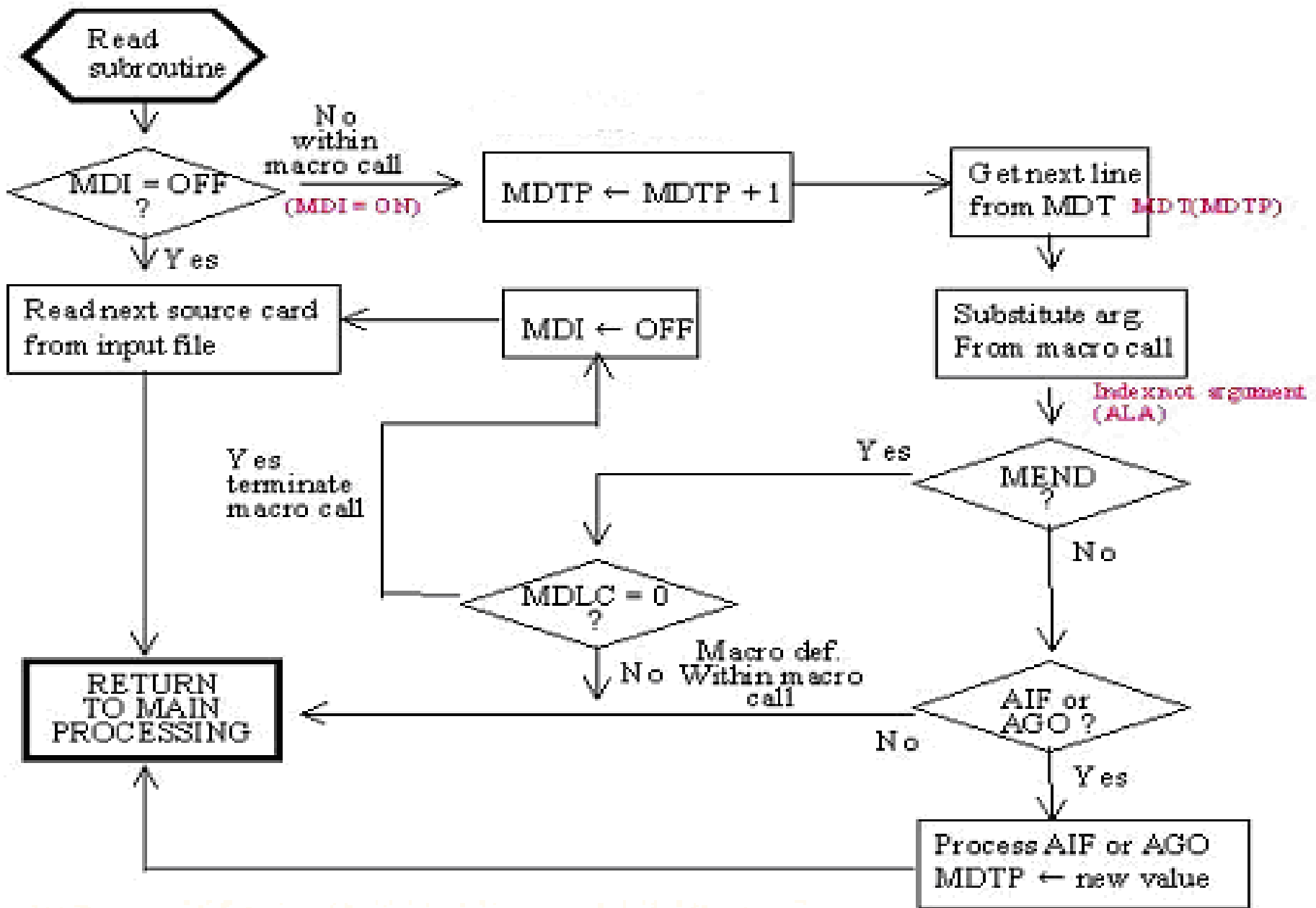
◆ Two new variables

MDI – Macro definition input – it is on during expansion of macro, otherwise off.

MDLC- Macro definition level counter- increased by 1 when MACRO is encountered and decreased by 1 when MEND is encountered



Simple one-pass macro processor



Detail of READ function used for macro expansion