



HEIDENHAIN



Length Gauges

Contents

Length gauges from HEIDENHAIN

provide high accuracy over long measuring ranges. They are also robust and practical. They can be used in a wide range of applications, including production metrology, multi-gauging fixtures, measuring equipment monitoring, and position measurement.



This brochure supersedes all previous editions, which thereby become invalid. The basis for ordering from HEIDENHAIN is always the brochure edition valid when the order is placed.

Standards (ISO, EN, etc.) apply only where explicitly stated in the brochure.

Further information:

For detailed descriptions of all available interfaces, cables, and connecting elements, as well as general electrical information, please refer to the *Interfaces of HEIDENHAIN Encoders* and the *Cables and Connectors* brochures.

Length gauges: applications and products

Areas of application	4
Length gauges from HEIDENHAIN	6
Overview of length gauges	8

Technical features and mounting information

Measuring principles	10
Measuring accuracy	12
Mounting	16
Setup	17
Gauging force and plunger actuation	19

Specifications		Accuracy	Measuring range	
Absolute length gauges	HEIDENHAIN-ACANTO	±1 µm ±2 µm	12 mm 30 mm	22
Incremental length gauges	HEIDENHAIN-CERTO	±0.1 µm; ±0.03 µm* ±0.1 µm; ±0.05 µm*	25 mm 60 mm	24
	HEIDENHAIN-METRO	±0.2 µm	12 mm 25 mm	26
	HEIDENHAIN-METRO	±0.5 µm ±1 µm	60 mm 100 mm	28
	HEIDENHAIN-SPECTO	±1 µm	12 mm 30 mm	30
	Length gauges with low measuring forces		±0.2 µm ±1 µm	12 mm

Accessories

Measuring contacts, switch boxes, coupling		34
Gauge stands, ceramic suction plate, diaphragm compressor	For HEIDENHAIN-CERTO	36
Cable release and gauge stands	For HEIDENHAIN-ACANTO, HEIDENHAIN-METRO, and HEIDENHAIN-SPECTO	38

Further information

Signal converters	40
Calibration according to DAkkS	42
Related documents	43

* After linear length-error compensation in the evaluation electronics

Areas of application

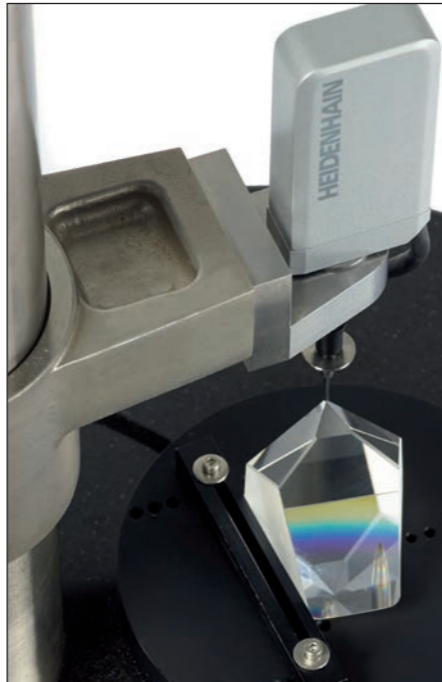
In quality assurance

Metrology and production control

Length gauges from HEIDENHAIN play a role in incoming goods inspection, fast dimension checking during production, statistical process control in production or quality assurance, or in any application where fast, reliable and accurate length measurement is required. Their large measuring lengths are a particular advantage: whether the part measures 5 mm or 95 mm, it is measured immediately with one and the same length gauge.

Whatever the application, HEIDENHAIN has the appropriate length gauge for the required accuracy. The **HEIDENHAIN-CERTO** length gauges offer a very high accuracy of $\pm 0.1 \mu\text{m}/\pm 0.05 \mu\text{m}^*/\pm 0.03 \mu\text{m}^*$ for extremely precise measurement. Length gauges from the **HEIDENHAIN-METRO** program have accuracy grades as fine as $\pm 0.2 \mu\text{m}$, while the **HEIDENHAIN-SPECTO** length gauges, with $\pm 1 \mu\text{m}$ accuracy, offer particularly compact dimensions.

* After linear length-error compensation in the evaluation electronics



Workpiece inspection

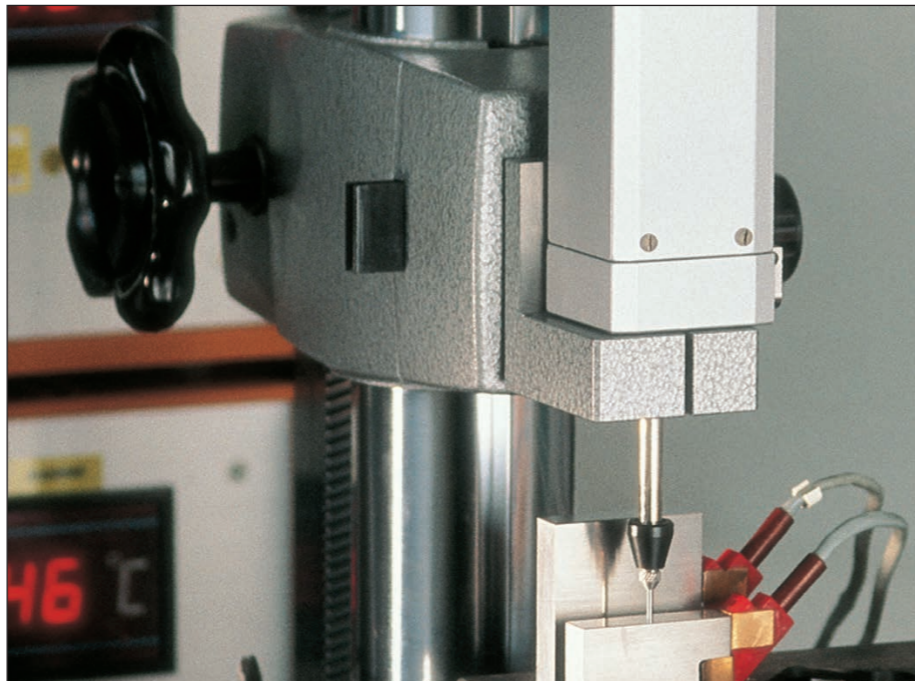


Inspection of styli

Gauge block calibration and measuring device inspection

The regular inspection of measuring equipment called for by standards, and the inspection of gauge blocks in particular, necessitate a large number of reference standard blocks if the comparative measurement is performed using inductive gauges. The problem is the small measuring range of inductive gauges: they can measure length differences of only up to 10 μm . Length gauges, which offer large measuring ranges together with high accuracy, greatly simplify the calibration of measuring devices required to ensure traceability.

The length gauges of the **HEIDENHAIN-CERTO** product portfolio with measuring ranges of 25 mm with $\pm 0.1 \mu\text{m}/\pm 0.03 \mu\text{m}^*$ accuracy and 60 mm with $\pm 0.1 \mu\text{m}/\pm 0.05 \mu\text{m}^*$ accuracy are especially well suited for this task. They permit a significant reduction in the required number of reference standard blocks, and recalibrating becomes much simpler.



Calibration of gauge blocks

In production metrology

Multi-gauging fixtures

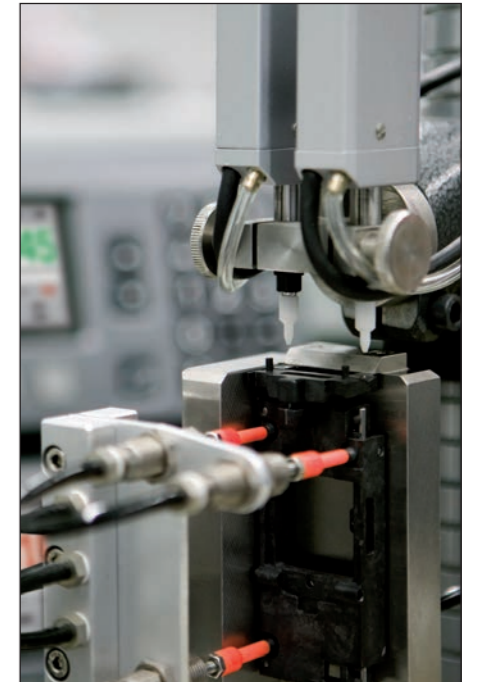
Multi-gauging fixtures require durable length gauges with small dimensions. They should also have relatively large measuring ranges of several millimeters with consistent linear accuracy in order to simplify the construction of inspection devices—for example by enabling the construction of one device for several masters. A large measuring length also provides benefits in master production, because simpler masters can be used.

Thanks to their small dimensions, the **HEIDENHAIN-ACANTO** absolute length gauges, like the **HEIDENHAIN-SPECTO** incremental length gauges, are specially designed for multi-gauging fixtures. They feature accuracy grades of down to $\pm 1 \mu\text{m}$ over measuring ranges up to 30 mm. More stringent accuracy requirements of down to $\pm 0.2 \mu\text{m}$ can be met with similarly compact **HEIDENHAIN-METRO** length gauges.

Unlike inductive gauges, HEIDENHAIN length gauges provide stable measurement over long periods—eliminating recalibration.



Testing station for flatness inspection



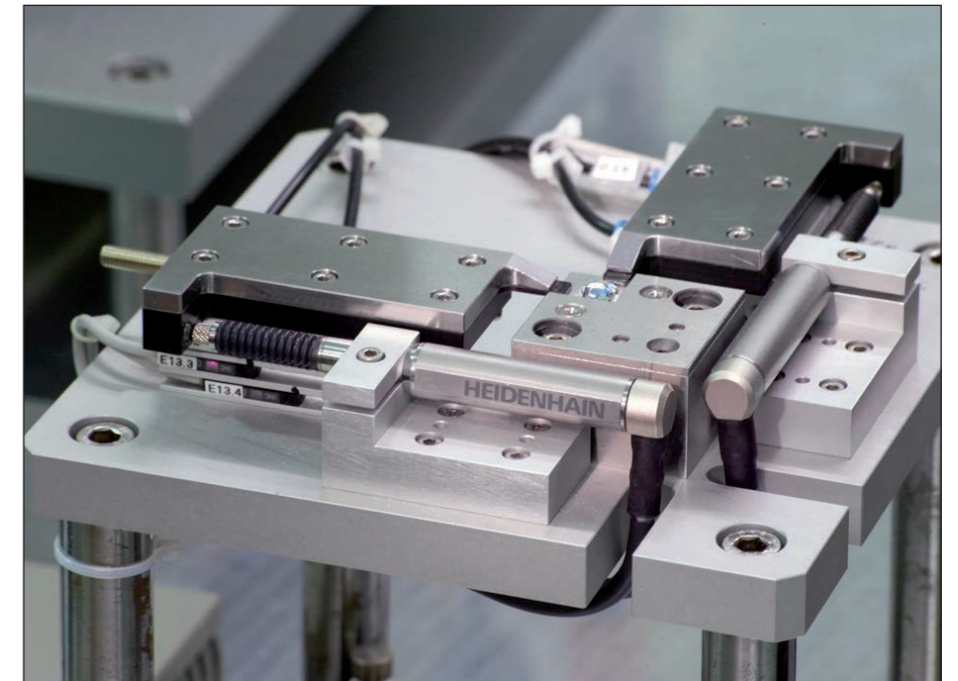
Tolerance gauging of semifinished products

Position measurement

Length gauges from HEIDENHAIN are also ideal for position measurement on precision linear slides and X-Y tables. Working with measuring microscopes, for example, becomes much easier thanks to the digital readout and the flexible datum setting.

Here, length gauges from the **HEIDENHAIN-METRO** and **HEIDENHAIN-SPECTO** program come into use with large measuring ranges of 30 mm, 60 mm or 100 mm at consistently high accuracy grades of $\pm 0.5 \mu\text{m}$ or $\pm 1 \mu\text{m}$.

In this application as a linear measuring device, the length gauge's fast installation in accordance with the Abbe measuring principle by its clamping shank or plane mounting surface is of special benefit.



Position measurement on an X-Y table for lens mounting

Length gauges from HEIDENHAIN

Length gauges from HEIDENHAIN feature high accuracy over long measuring ranges. These sensors are used whenever lengths need to be measured with speed, reliability, and accuracy.

Long measuring ranges

HEIDENHAIN length gauges are available for measuring ranges of 12 mm, 25 mm, 30 mm, 60 mm, or 100 mm. This lets you measure a wide variety of parts with a single measuring setup without frequently changing cost-intensive gauge blocks or masters.



Wide range of applications

HEIDENHAIN length gauges are suited for many applications. Automatic inspection equipment, manual measuring stations or positioning equipment—wherever lengths, spacing, thickness, height, or linear motion are to be measured, HEIDENHAIN length gauges function quickly, reliably, and accurately.



Absolute position measurement

The HEIDENHAIN-ACANTO length gauges operate with absolute measurement over a range of 12 mm or 30 mm and with high repeatability. Their particular advantage is that the measured value is available immediately after switch-on.

High accuracy

The high accuracy of HEIDENHAIN length gauges applies over the entire measuring range. Regardless of whether the part measures 10 mm or 100 mm, its actual dimensions are always measured with the same high quality. The high repeatability of HEIDENHAIN length gauges is beneficial during comparative measurements, such as in serial production.



The HEIDENHAIN-CERTO length gauges, in particular, exhibit high accuracy and offer nanometer-level resolution.

Expertise

The high quality of HEIDENHAIN length gauges is no coincidence. HEIDENHAIN has been manufacturing high-accuracy scales for over 70 years, and for many years it has developed measuring and testing devices for length and angle measurement for national standards laboratories. This know-how makes HEIDENHAIN an extraordinarily qualified partner for metrology questions.



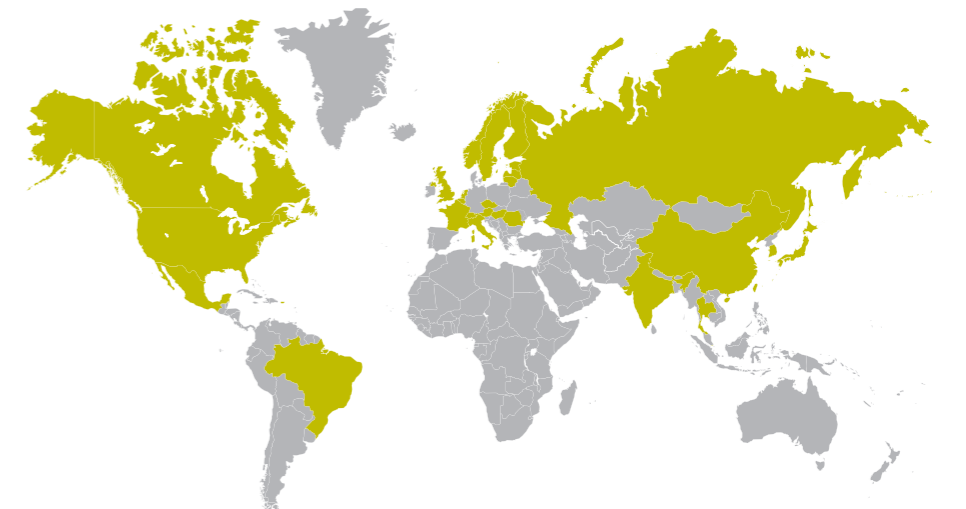
Robust design

HEIDENHAIN length gauges are built for an industrial environment. Their long-term consistent accuracy and high thermal stability make them ideal for use in production equipment and machines.



Worldwide presence

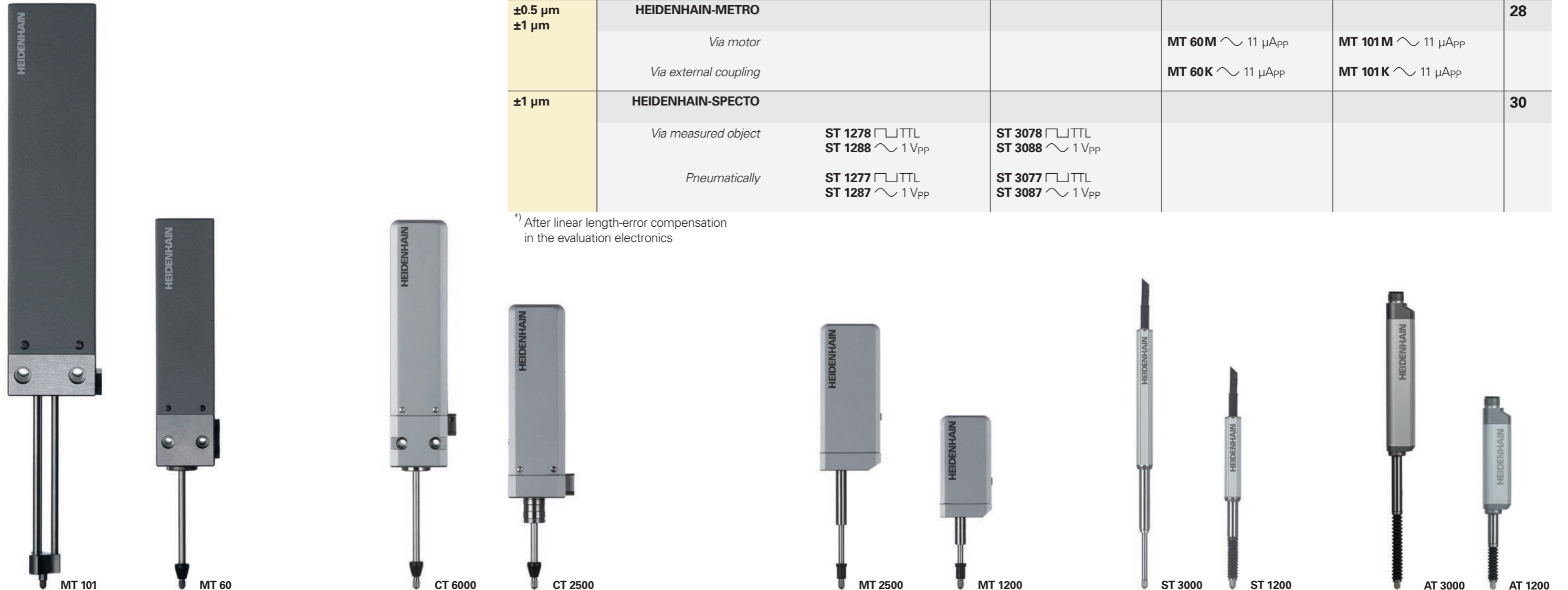
HEIDENHAIN is represented in all important industrial countries—in most of them with wholly owned subsidiaries. Sales engineers and service technicians support the user on-site with technical information and servicing in the local language.



Overview of length gauges

Accuracy	Measuring range <i>Plunger actuation</i>	12 mm	25 mm/30 mm	60 mm	100 mm	page
Absolute position measurement						
$\pm 1 \mu\text{m}$ $\pm 2 \mu\text{m}$	HEIDENHAIN-ACANTO					22
	<i>Via measured object</i>	AT 1218 EnDat	AT 3018 EnDat			
	<i>Pneumatically</i>	AT 1217 EnDat	AT 3017 EnDat			
Incremental linear measurement						
$\pm 0.1 \mu\text{m}$ $\pm 0.05 \mu\text{m}^{*)}$ $\pm 0.03 \mu\text{m}^{*)}$	HEIDENHAIN-CERTO					24
	<i>Via motor</i>		CT 2501 $\sim 11 \mu\text{App}$	CT 6001 $\sim 11 \mu\text{App}$		
	<i>Via external coupling</i>		CT 2502 $\sim 11 \mu\text{App}$	CT 6002 $\sim 11 \mu\text{App}$		
$\pm 0.2 \mu\text{m}$	HEIDENHAIN-METRO					26
	<i>Via cable release or measured object</i>	MT 1271 \square TTL MT 1281 $\sim 1 V_{PP}$	MT 2571 \square TTL MT 2581 $\sim 1 V_{PP}$			
	<i>Pneumatically</i>	MT 1287 $\sim 1 V_{PP}$	MT 2587 $\sim 1 V_{PP}$			
$\pm 0.5 \mu\text{m}$ $\pm 1 \mu\text{m}$	HEIDENHAIN-METRO					28
	<i>Via motor</i>			MT 60M $\sim 11 \mu\text{App}$	MT 101M $\sim 11 \mu\text{App}$	
	<i>Via external coupling</i>			MT 60K $\sim 11 \mu\text{App}$	MT 101K $\sim 11 \mu\text{App}$	
$\pm 1 \mu\text{m}$	HEIDENHAIN-SPECTO					30
	<i>Via measured object</i>	ST 1278 \square TTL ST 1288 $\sim 1 V_{PP}$	ST 3078 \square TTL ST 3088 $\sim 1 V_{PP}$			
	<i>Pneumatically</i>	ST 1277 \square TTL ST 1287 $\sim 1 V_{PP}$	ST 3077 \square TTL ST 3087 $\sim 1 V_{PP}$			

^{*)} After linear length-error compensation in the evaluation electronics



Measuring principles

Measuring standard

HEIDENHAIN length gauges are characterized by long measuring ranges and consistently high accuracy. The basis for both is the photoelectrical scanning principle.

HEIDENHAIN length gauges use material measuring standards consisting of absolute or incremental graduations on substrates of glass or glass ceramic. These measuring standards permit large measuring ranges, are insensitive to vibration and shock, and have a defined thermal behavior. Changes in atmospheric pressure or relative humidity have no influence on the accuracy of the measuring standard—which is the prerequisite for the **high long-term stability** of HEIDENHAIN length gauges.

HEIDENHAIN manufactures the precision graduations in specially developed, photolithographic processes.

- AURODUR: matte-etched lines on gold-plated steel tape with typical graduation period of 40 μm
- METALLUR: contamination-tolerant graduation of metal lines on gold, with typical graduation period of 20 μm
- DIADUR: extremely robust chromium lines on glass (typical graduation period of 20 μm) or three-dimensional chromium structures (typical graduation period of 8 μm) on glass
- SUPRADUR phase grating: optically three dimensional, planar structure; particularly tolerant to contamination; typical graduation period of 8 μm and finer
- OPTODUR phase grating: optically three dimensional, planar structure with particularly high reflectance, typical graduation period of 2 μm and finer

Along with these very fine grating periods, these processes permit a high definition and homogeneity of the line edges. Together with the photoelectric scanning method, this high edge definition is a precondition for the high quality of the output signals.

The master graduations are manufactured by HEIDENHAIN on custom-built high-precision dividing engines.

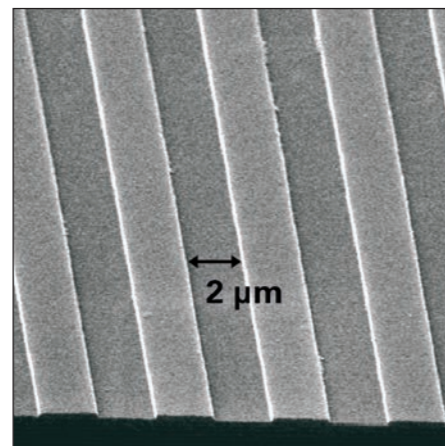
Measurement procedure

With the **incremental measuring method**, the graduation consists of a periodic grating structure. The position information is obtained **by counting** the individual increments (measuring steps) from some point of origin. Since an absolute reference is required to ascertain positions, the measuring standard is provided with an additional track that bears a **reference mark**. The absolute position on the scale, established by the reference mark, is gated with exactly one signal period.

The reference mark must therefore be scanned to establish an absolute reference or to find the last selected datum.

With the **absolute measuring method**, the position value is available from the encoder immediately upon switch-on and can be called at any time by the subsequent electronics. There is no need to move the axes to find the reference position. The absolute position information is read **from the measuring standard**, which is formed from a serial absolute code structure. A separate incremental track is interpolated for the position value and at the same time—depending on the interface version—is used to generate an optional incremental signal.

DIADUR phase grating with approx. 0.25 μm grating height



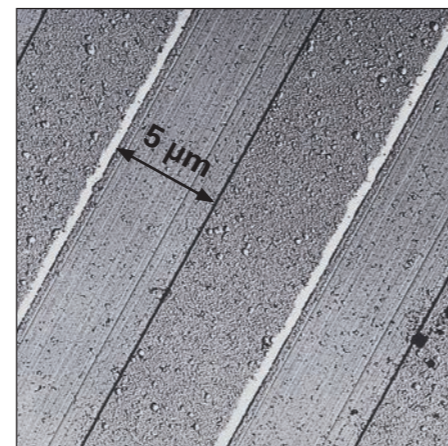
Photoelectric scanning principle

Most HEIDENHAIN encoders operate using the principle of photoelectric scanning. Photoelectric scanning of a measuring standard is contact-free, and as such, free of wear. This method detects even very fine lines, no more than a few micrometers wide, and generates output signals with very small signal periods.

The finer the grating period of a measuring standard is, the greater the effect of diffraction on photoelectric scanning. HEIDENHAIN linear encoders use two scanning principles:

- The **imaging scanning principle** for grating periods of 20 μm and 40 μm
- The **interferential scanning principle** for very fine graduations with grating periods of, for example, 8 μm .

DIADUR graduation



Imaging principle

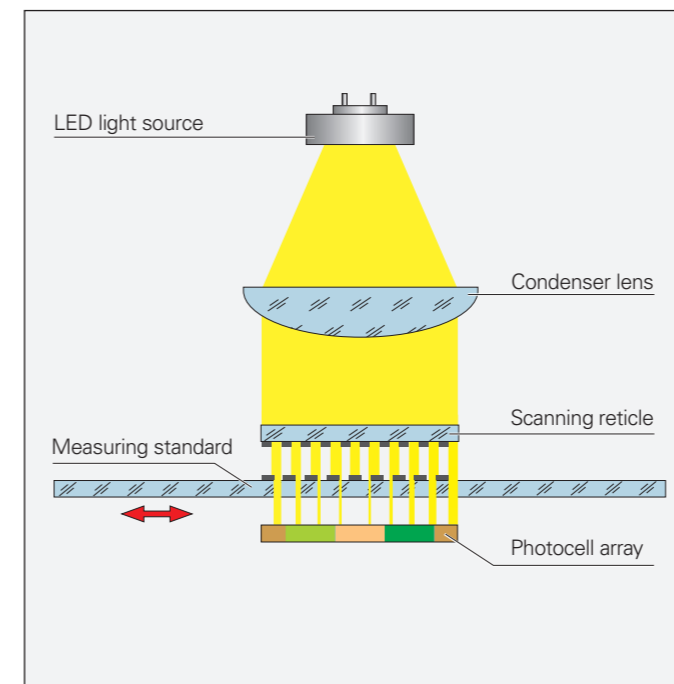
To put it simply, the imaging scanning principle functions by means of projected-light signal generation: two scale gratings with equal or similar grating periods are moved relative to each other—the scale and the scanning reticle. The carrier material of the scanning reticle is transparent, whereas the graduation on the measuring standard may be applied to a transparent or reflective surface.

When parallel light passes through a grating, light and dark surfaces are projected at a certain distance. An index grating is located here. When the two graduations move in relation to each other, the incident light is modulated: if the gaps are aligned, light passes through. If the lines of one grating coincide with the gaps of the other, no light passes through. A photocell array converts these variations in light intensity into electrical signals. The specially structured grating of the scanning reticle filters the light to generate nearly sinusoidal output signals.

The smaller the period of the grating structure is, the closer and more tightly tolerated the gap must be between the scanning reticle and scale.

The HEIDENHAIN-ACANTO and HEIDENHAIN-SPECTO length gauges, as well as the MT 60 and MT 100 HEIDENHAIN-METRO length gauges, use the imaging principle.

Imaging principle



Interferential scanning principle

The interferential scanning principle exploits the diffraction and interference of light on a fine graduation to produce signals used to measure displacement.

A step grating is used as the measuring standard: reflective lines 0.2 μm high are applied to a flat, reflective surface. In front of that is the scanning reticle—a transparent phase grating with the same grating period as the scale.

When a light wave passes through the scanning reticle, it is diffracted into three partial waves of the orders -1 , 0 , and $+1$, with approximately equal luminous intensity. The waves are diffracted by the scale such that most of the luminous intensity is found in the reflected diffraction orders $+1$ and -1 . These partial waves meet again at the phase grating of the scanning reticle where they are diffracted again and interfere. This produces essentially three waves that leave the scanning reticle at different angles. Photovoltaic cells convert this alternating light intensity into electrical signals.

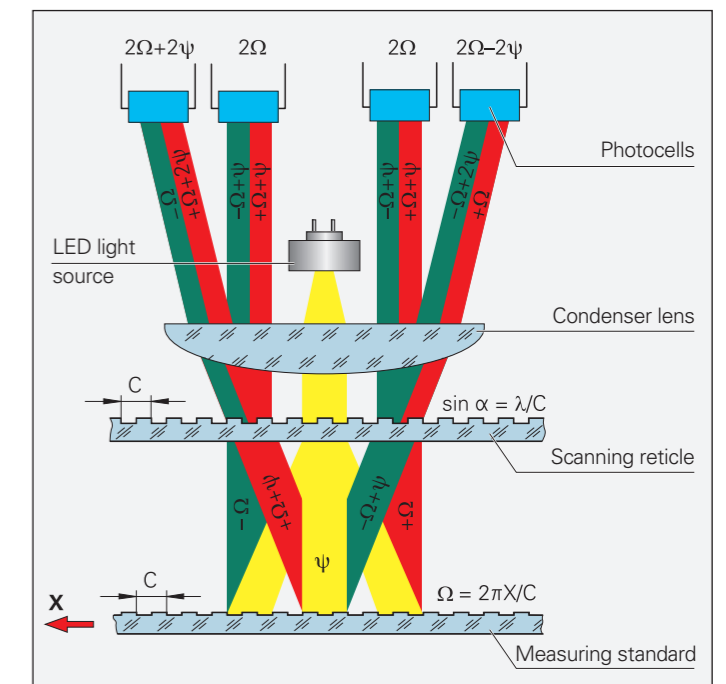
A relative motion of the scanning reticle to the scale causes the diffracted wave fronts to undergo a phase shift: When the grating moves by one period, the wave front of the first order is displaced by one wavelength in the positive direction, and the wavelength of diffraction order -1 is displaced by one wavelength in the negative direction. Since the two waves interfere with each other when exiting the grating, the waves are shifted relative to each other by two wavelengths. This results in two signal periods from the relative motion of just one grating period.

Interferential encoders function with grating periods of, for example, 8 μm , 4 μm , and finer. Their scanning signals are largely free of harmonics and can be highly interpolated. These encoders are therefore especially suited for high resolution and high accuracy.

The HEIDENHAIN-CERTO length gauges, as well as the MT 1200 and MT 1500 HEIDENHAIN-METRO length gauges, use the interferential principle.

Interferential scanning principle (optics schematics)

- C Grating period
- ψ Phase shift of the light wave when passing through the scanning reticle
- Ω Phase shift of the light wave due to motion X of the scale



Measuring accuracy

The linear measurement accuracy is mainly determined by the following factors:

- The quality of the graduation
- The scanning quality
- The quality of the signal processing electronics
- The eccentricity of the graduation relative to the bearing
- The guideway error of the scale relative to the scanning unit
- The orthogonality of the length gauge relative to the bearing surface.

These factors can be divided into encoder-specific errors and application-specific factors. For assessment of the attainable **overall accuracy**, all of these individual factors must be taken into account.

Error specific to the measuring device

The error that is specific to the measuring device is stated in the specifications as the **system accuracy**.

The extreme values of the total error F of a position are, on average, within the system accuracy $\pm a$ along the entire measuring range. They are measured during final inspection and documented in the calibration chart.

The system accuracy includes the following:

- The homogeneity and period definition of the graduation
- The alignment of the graduation
- The error of the bearing
- The position error within one signal period.

The Interpolation error within one signal period

The interpolation error within one signal period has an effect even during very small movements and repeated measurements. It is therefore considered separately.

The interpolation error within one signal period $\pm u$ results from the scanning quality and, for encoders with integrated pulse-shaping or counter electronics, the quality of the signal-processing electronics. For encoders with sinusoidal output signals, however, the error from the signal processing electronics is dictated by the subsequent electronics.

The following factors influence the outcome:

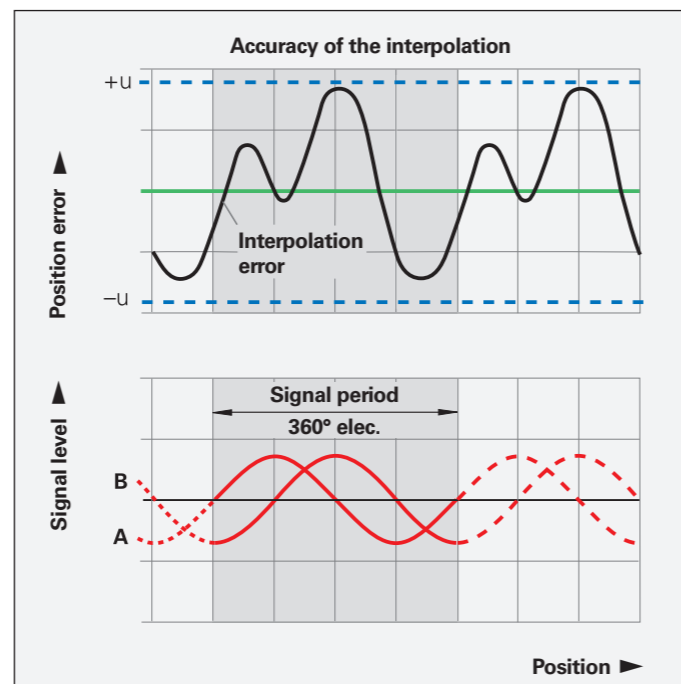
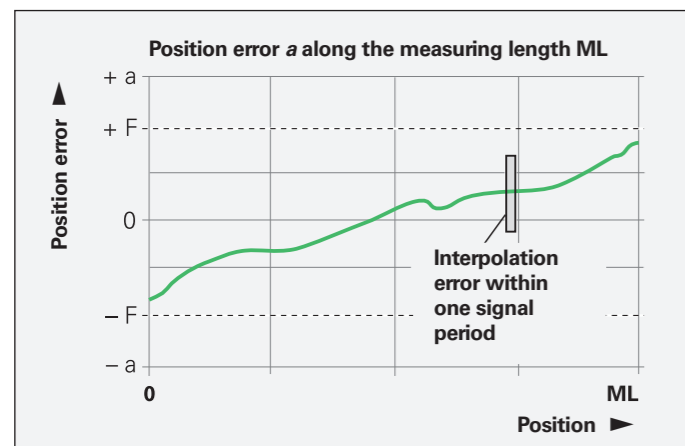
- The fineness of the signal period
- The homogeneity and period definition of the graduation
- The quality of the scanning filter structures
- The characteristics of the sensors
- The stability and dynamic performance of the analog signal processing

These sources of error must be considered when specifying the interpolation error within one signal period.

The interpolation error within one signal period $\pm u$ is specified as a percentage of the signal period. For length gauges, this value is typically better than $\pm 1\%$ of the signal period. You will find the specified values in the Specifications.

Short-range accuracy

The short-range accuracy describes the amount of error that occurs within a distance of $\pm 100 \mu\text{m}$ from a measuring point and includes electronic and mechanical influences of the gauge on the measurement. The values for short-range accuracy typically lie below the specified values.



Application-dependent error

Other factors besides the system accuracy also influence the attainable total accuracy of measurement. These include in particular the ambient temperature and temperature fluctuations during measurement as well as a stable, orthogonal measuring setup.

All components included in the **measuring loop**, such as the holder for the measured object, the gauge stand with holder, and the length gauge itself, influence the result of measurement. Expansion or deformation of the measuring setup through mechanical or thermal influences adds directly to the error.

Mechanical design

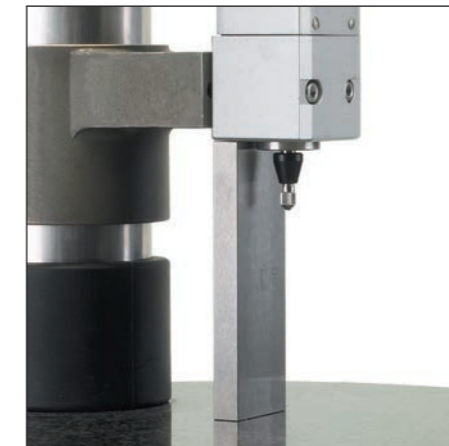
A stable measuring assembly must be ensured. Long lateral elements within the measuring loop are to be avoided. HEIDENHAIN offers a stable gauge stand as an accessory. The force resulting from the measurement must not cause any measurable deformation of the measuring loop.

Length gauges from HEIDENHAIN operate with small gauging force and have very little influence on the measuring setup.

Orthogonal mounting

The length gauge is to be mounted so that its plunger is exactly orthogonal to the measured object or the surface on which it rests. Deviations result in measuring error.

The accessory HEIDENHAIN gauge stands with holders for an **8 mm clamping shank** ensure orthogonal mounting. Length gauges that provide **planar mounting surfaces** must be set parallel to the mounting surface (Y) and perpendicularly to the measuring plate. A quick and reliable adjustment is possible with the aid of a gauge block or a parallel block. The perpendicularity to the measuring table (X) is already ensured by the gauge stand.



Orthogonal mounting

Thermal characteristics

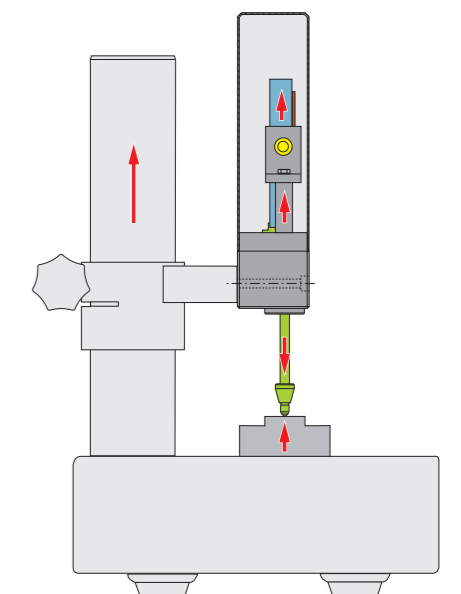
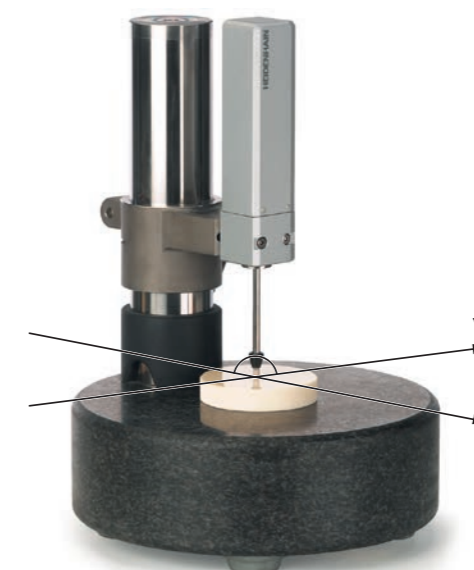
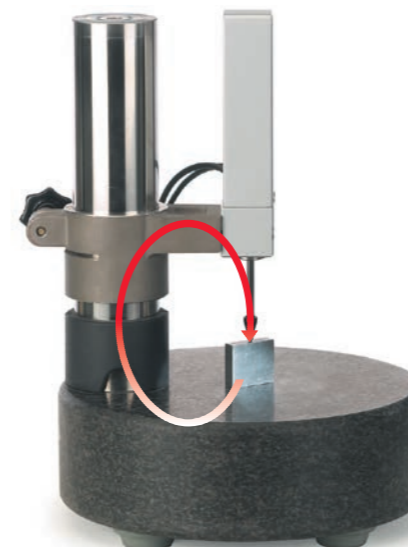
Temperature variations during measurement cause changes in length or deformation of the measuring setup. After a change in temperature of 5 K, a steel bar of 200 mm length expands by 10 μm .

Length changes resulting from a uniform deviation from the reference temperature can largely be compensated by resetting the datum on the measuring plate or a master; only the expansion of the scale and measured object go into the result of measurement.

Temperature changes during measurement cannot be ascertained mathematically. For critical components, HEIDENHAIN therefore uses special materials with low coefficients of expansion, such as are found in the HEIDENHAIN-CERTO gauge stand. This makes it possible to guarantee the high accuracy of HEIDENHAIN-CERTO even at ambient temperatures of 19 °C to 21 °C and variations of ± 0.1 K during measurement.

In order to measure with complete accuracy, the length gauge should be switched on approximately 15 minutes before the first measurement.

The measuring loop: All components involved in the measuring assembly, including the length gauge



Thermal length change: Expansion of the measuring loop components as a result of heat

Calibration chart

All HEIDENHAIN length gauges are inspected before shipping for accuracy and proper function.

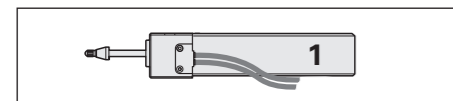
They are calibrated for accuracy during retraction and extension of the plunger. For the HEIDENHAIN-CERTO, the number of measuring positions is selected to ascertain very exactly not only the long-range error, but also the position error within one signal period.

The **Quality Inspection Certificate** confirms the specified system accuracy of each length gauge. The **calibration standards** ensure the traceability—as required by EN ISO 9001—to recognized national or international standards.

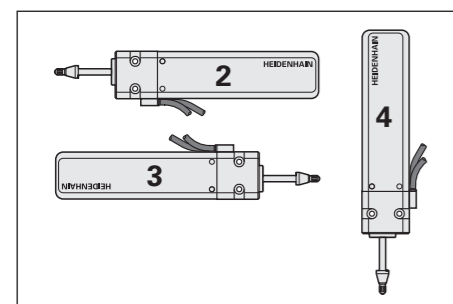
For the HEIDENHAIN-METRO and HEIDENHAIN-CERTO series, a **calibration chart** documents the position error over the measuring range. It also shows the measuring step and the measuring uncertainty of the calibration measurement.

For the HEIDENHAIN-METRO the calibration chart shows the mean value of one forward and one backward measuring stroke.

The HEIDENHAIN-CERTO calibration chart shows the envelope curve of the measured error. The HEIDENHAIN-CERTO length gauges are supplied with two calibration charts, each for different operating orientations.



Operating orientation for calibration chart 1



Operating orientation for calibration chart 2

MT 2587
ID 372495-01
SN 21835572 D

Qualitätsprüf-Zertifikat **Quality Inspection Certificate**
DIN 55 350-18-4.2.2 DIN 55 350-18-4.2.2

Positional deviation F [µm]
Position error F [µm]

Die Messkurve zeigt die Mittelwerte der Positionsabweichungen aus Vorwärts- und Rückwärtsmessung.
Position error F of the linear encoder: $F = Pos_M - Pos_L$
 Pos_M = Measposition der Messmaschine
 Pos_L = Measposition des Längenmessgerätes

Maximale Positionsabweichung der Messkurve innerhalb 25 mm: ± 0,11 µm	Maximum position error of the error curve within 25 mm: ± 0,11 µm
Unsicherheit der Messmaschine $U_{meas} = 0,03 \mu\text{m} + 0,06 \cdot 10^{-4} \cdot L$ (L = Länge Messintervall)	Uncertainty of measuring machine $U_{meas} = 0,03 \mu\text{m} + 0,06 \cdot 10^{-4} \cdot L$ (L = measurement interval length)
Messparameter Messschritt: 1000 µm Erster Referenzimpuls bei Messposition: 23 mm Relative Luftfeuchtigkeit: max. 50%	Measurement parameters Measurement step: 1000 µm First reference pulse at measured position: 23 mm Relative humidity: max. 50%

Dieses Längenmessgerät wurde unter strengen HEIDENHAIN-Qualitätsnormen hergestellt und geprüft. Die Positionsabweichung liegt bei einer Bezugs-temperatur von 20 °C innerhalb der Genauigkeitsklasse ± 0,2 µm.
This linear encoder has been manufactured and inspected in accordance with the stringent quality standards of HEIDENHAIN. The position error at a reference temperature of 20 °C lies within the accuracy grade ± 0,2 µm.

Kalibriernormale	Kalibrationszeichen	Calibration standards	Calibration references
Jod-stabilisierter He-Ne Laser	3659 PTB 02	Jodine-stabilized He-Ne Laser	3659 PTB 02
Wasser-Tripelpunktzelle	66 PTB 05	Water triple point cell	66 PTB 05
Gallium-Schmelzpunktzelle	67 PTB 05	Gallium melting point cell	67 PTB 05
Barometer	4945 DKD-K-02301 05-09	Pressure gauge	4945 DKD-K-02301 05-09
Luftfeuchtemessgerät	01758 DKD-K-00305 05-05	Hygrometer	01758 DKD-K-00305 05-05

DR. JOHANNES HEIDENHAIN GmbH · 83301 Traunreut, Germany · www.heidenhain.de · Telefon: +49 (0)938 31-0 · Fax: +49 (0)938 5061
30.12.2007
Prüfer/Inspected by: H. Gavron

Example

Temperature range

The length gauges are inspected at a **reference temperature** of 20 °C. The system accuracy given in the calibration chart applies at this temperature.

The **operating temperature range** indicates the ambient temperature limits between which the length gauges will function properly.

The **storage temperature range** of -20 °C to 60 °C applies for the device in its packaging.

Repeatability

Whereas the system accuracy applies over the entire measuring range, for some applications the repeatability is the decisive factor. It plays an important role in repeated measurements.

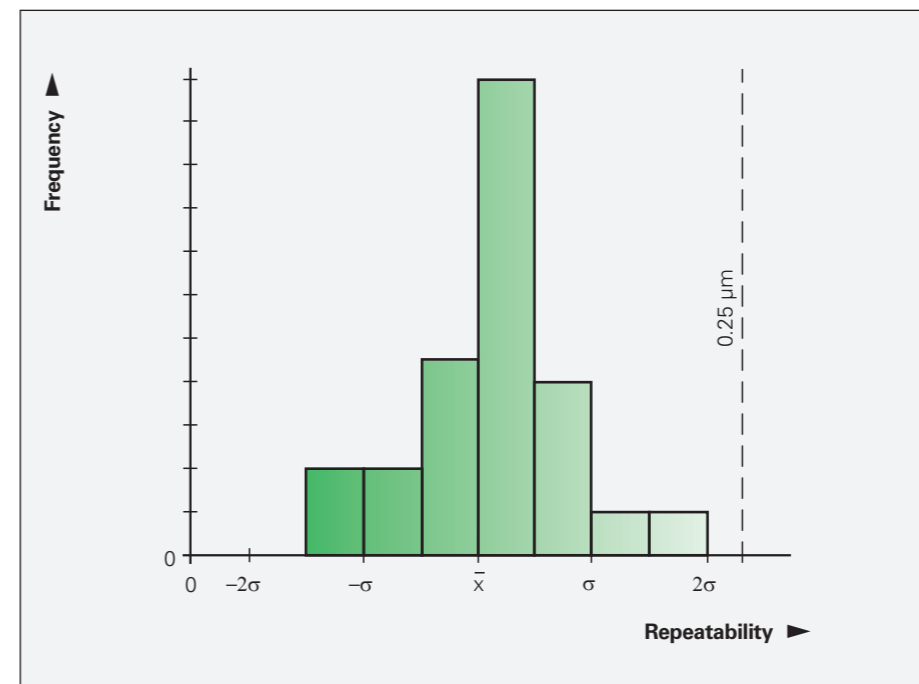
Repeatability is defined in the standards DIN 32876 and DKD-R 4-3, and describes a length gauge's capability to supply very similar measured values for identical measurands and conditions.

HEIDENHAIN ascertains the repeatability of the length gauges with five measurements near the lower plunger stop. The plunger is completely extended and retracted at medium speed. Since the length gauge was already in operation for at least 10 minutes before this, it is already in a stable thermal state.

The repeatability of the length gauges is usually better than the values listed in the table. The characteristic statistical distribution is shown in the diagram, using the ST 1200 as an example.

- Repeatability depends on the
- combinations of materials used in the components,
 - installed electronics,
 - optomechanics used, and the
 - bearing of the plunger.

Series	Repeatability < $\bar{x} + 2\sigma$
AT 1200	0.4 µm
AT 3000	0.8 µm
CT 2500	0.02 µm
CT 6000	0.03 µm
MT 101	0.04 µm
MT 1200	0.03 µm
MT 2500	0.09 µm
MT 60	0.06 µm
ST 1200	0.25 µm
ST 3000	0.7 µm



ST 1200: Statistical distribution of the repeatability

Mounting

Abbe principle

HEIDENHAIN length gauges enable you to work according to the Abbe measuring principle: the measured object and scale must be in alignment to avoid additional measuring error.

Fastening

The **CT 6000**, **MT 60**, and **MT 101** length gauges are fastened by two screws onto a plane surface. This ensures a mechanically stable installation of even these large length gauges. Special holders are available for fastening the MT 60 and MT 101 to the MS 100 gauge stand for the HEIDENHAIN-METRO (see *Accessories*).

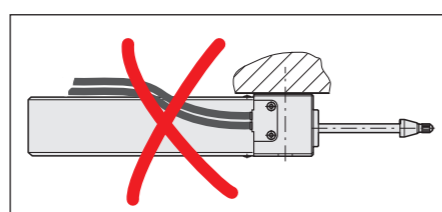
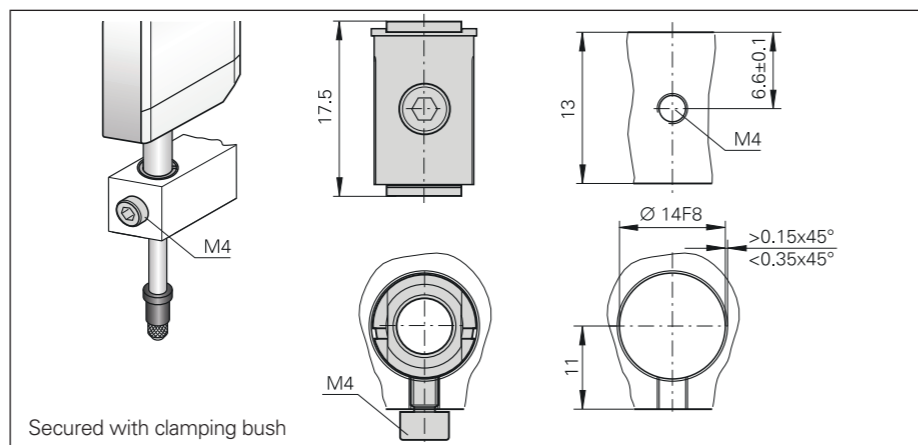
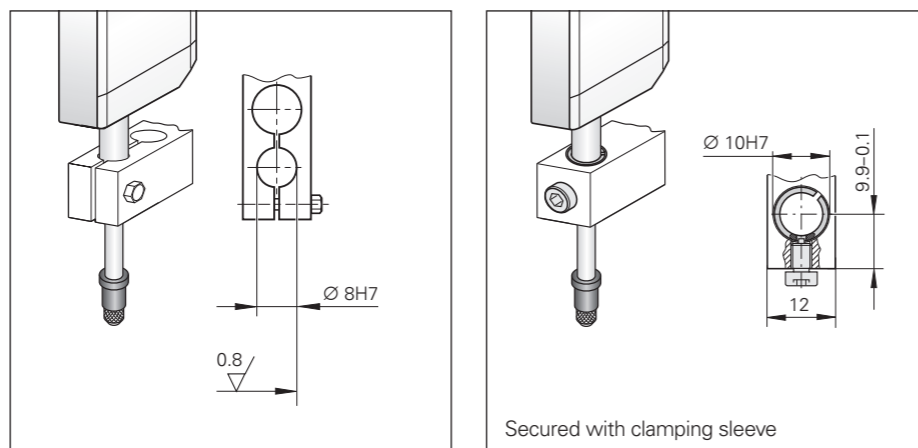
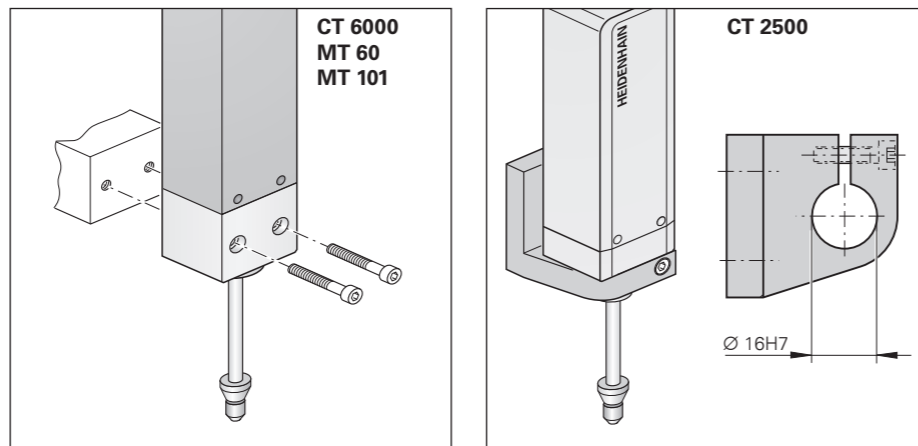
The **CT 2500** is mounted by its standard clamping shank with 16h8 diameter. A holder is available for fastening the HEIDENHAIN-CERTO to the gauge stand (see *Accessories*).

The **AT**, **ST**, **MT 1200**, and **MT 2500** length gauges feature a standard clamping shank with 8h6 diameter. These HEIDENHAIN length gauges can therefore easily be used with existing measuring fixtures and stands.

HEIDENHAIN offers the choice of a special clamping sleeve or a clamping bush with one screw each. These accessories make it easier to fasten the length gauge without overloading the 8h6 clamping shank or damaging the ball-bush guide. The clamping bush also enables a wide tolerance field for the tightening torque and improves fastening.
Clamping sleeve: ID 386811-01
Clamping bush: ID 1177968-02

Operating orientation for HEIDENHAIN-CERTO

The HEIDENHAIN-CERTO can be operated at any attitude. However, the mounting position with horizontal length gauge and upward facing mounting surface should be avoided because in such a case no guarantee can be made for accuracy.



mm
Tolerancing ISO 8015
ISO 2768 - m H
≤ 6 mm: ±0.2 mm

Setup

HEIDENHAIN length gauges function according to the **Abbe measuring principle**, i.e. the measuring standard and the plunger are exactly aligned. All components comprising the **measuring loop**, such as the measuring standard, plunger, holder, and scanning head are designed in terms of their mechanical and thermal stability for the highest possible accuracy of the length gauge.

The **plungers** of the HEIDENHAIN length gauges are locked against rotation. Their optimally round form stays unchanged while stability and thermoconductivity remain unimpaired. They are provided with an M2.5 thread to hold measuring contacts (see *Accessories*).

The plungers of the HEIDENHAIN-ACANTO and HEIDENHAIN-SPECTO ST 1200 length gauges are protected by a rubber bellows. The **bellows** is characterized by high resistance to chemical and thermal influences and have a relatively low stiffness. Its influence on the gauge's mechanical behavior and the measuring force is therefore low.

Thermal characteristics

HEIDENHAIN length gauges have a defined thermal behavior. Since temperature variations during measurement can result in changes in the measuring loop, HEIDENHAIN uses special materials with low coefficients of expansion α_{therm} for the components of the measuring loop, for example in the CERTO length gauges. The scale is manufactured of Zerodur ($\alpha_{\text{therm}} \approx 0 \text{ K}^{-1}$), and the plunger and holder are of Invar ($\alpha_{\text{therm}} \approx 1 \times 10^{-6} \text{ K}^{-1}$). This makes it possible to guarantee its high measuring accuracy over a relatively large temperature range.

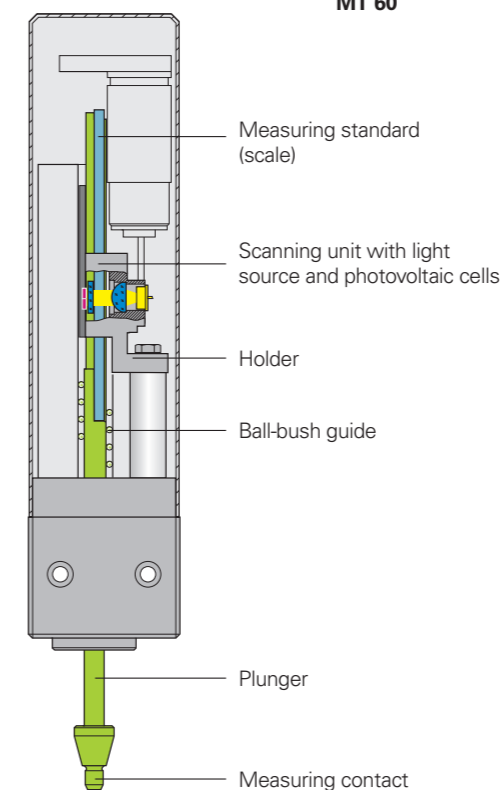
Acceleration

Length gauges from HEIDENHAIN feature a **sturdy design**. Even high vibration and shock loads have no negative influence on accuracy.

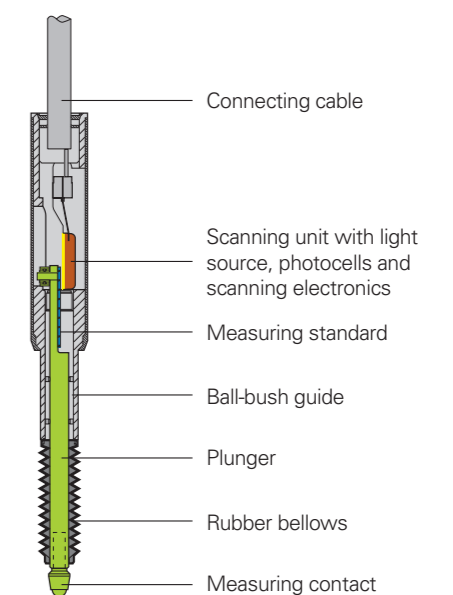
Shock and vibration of any kind, however, are to be avoided during measurement so as not to impair the high accuracy of the measurement. The maximum values given in the specifications for shock and vibration apply to the effect of external acceleration on the length gauge. They describe only the mechanical stability of the length gauge, and imply no guarantee of function or accuracy.

In the length gauge itself, unchecked extension of the spring-driven or non-coupled moving plunger can cause high acceleration onto the measured object or measuring plate surface. For the MT 1200 and MT 2500 series length gauges, use the cable release whenever possible (see *Accessories*). The cable release features adjustable pneumatic damping to limit the extension velocity to an uncritical value.

Design of CT 6000 MT 60



Design of ST 1200



Gauging force and plunger actuation

Plunger guideway

HEIDENHAIN length gauges are available with various plunger guides.

The plungers of the HEIDENHAIN-ACANTO length gauges work with **sliding guides**. The sliding guides have the following properties:

- Sturdiness thanks to few moving parts
- Impervious to shock and vibration
- High plunger speeds and long service life thanks to high-quality ceramic bearings
- Less sensitivity to improper clamping

The HEIDENHAIN-METRO, HEIDENHAIN-CERTO, and HEIDENHAIN-SPECTO length gauges are equipped with a **ball-bush guide**. The following are some of the basic properties of ball-bush guides in HEIDENHAIN length gauges:

- Low friction, which makes versions of length gauges with reduced gauging force possible
- Safe plunger extension and retraction even with high radial force
- High precision of the measuring loop thanks to a guide that is free of play (the bearing and plunger are specially fitted during manufacture)

Expendable parts

HEIDENHAIN length gauges contain components that are subject to wear, depending on the application and manipulation. These include in particular the following parts:

- Guideway (tested for at least 60 million strokes*)
- Cable link for CT, MT 60, and MT 101 (tested for at least 1 million strokes*)
- Scraper rings
- Rubber bellows for AT and ST 1200

* With CT, MT 60M, and MT 101M only with actuation by switch box

Note

DIADUR is a registered trademark of DR. JOHANNES HEIDENHAIN GmbH, Traunreut, Germany. Zerodur is a registered trademark of Schott Glaswerke in Mainz, Germany.

Gauging force

Gauging force is the force that the plunger exercises on the measured object. If the gauging force is too high, then the measuring contact or measured object may deform in response. If the gauging force is too low, then a layer of dust or contamination may prevent the plunger from fully contacting the measured object. The gauging force depends on the type of plunger actuation.

Spring-based plunger actuation

For the AT 1218, AT 3018, MT 12x1, MT 25x1, ST 12x8, and ST 30x8, a built-in spring extends the plunger to the measuring position and produces the **gauging force**. The plunger is extended when at rest. The gauging force depends on the following criteria:

- The operating orientation
- The plunger position (the force changes over the course of the measuring range)
- The direction of measurement (whether extension or retraction of the plunger is used)

The graphs show the gauging force across the measuring range during horizontal retraction and extension of the plunger.

The MT 1281 and ST 1288 length gauges are available with various gauging forces. Delicate materials can therefore be measured without deformation.

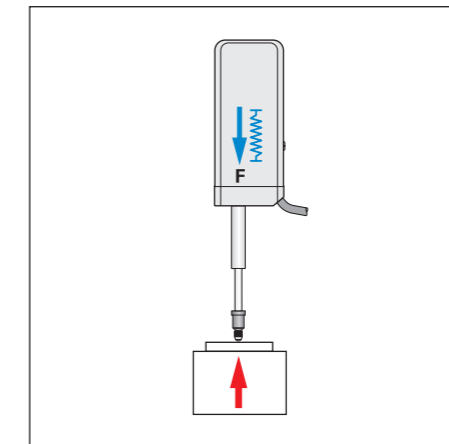
The gauging forces can be divided into the following classes:

- Reduced MR: approx. half the gauging force of the standard variant
- Low MW: gauging force at the beginning of the measuring range, approx. 0.01 N
- Springless MG: constant gauging force over the entire measuring range

So as not to influence the gauging force, the ST 1288 MR and ST 1288 MG variants are provided without a bellows.

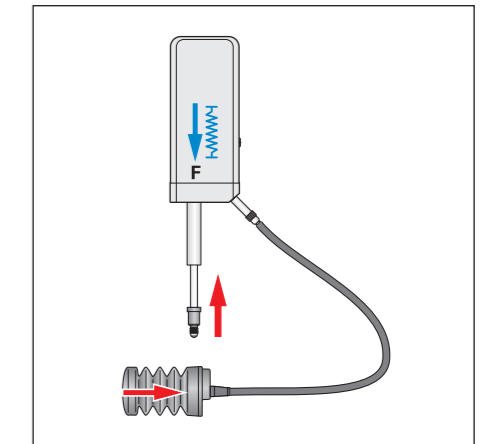
Plunger actuation via measured object

The complete length gauge is moved by the measuring device toward the measured object, or vice versa. The measurement is usually performed via plunger retraction.



Plunger actuation via a cable release (MT 12x1, MT 25x1)

In this method, the plunger is manually raised and lowered onto the measured object by means of a cable release. This measurement is performed with plunger extension.



Built-in, adjustable pneumatic damping reduces the plunger extension speed so as to prevent rebound (e.g., on very hard materials). This prevents measuring error due to bouncing.

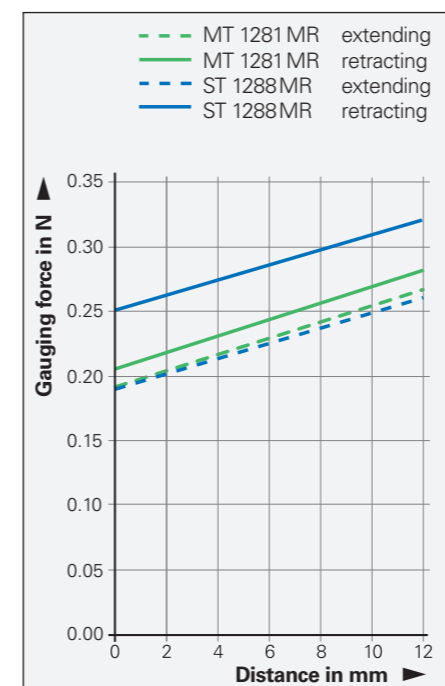


Sliding guide

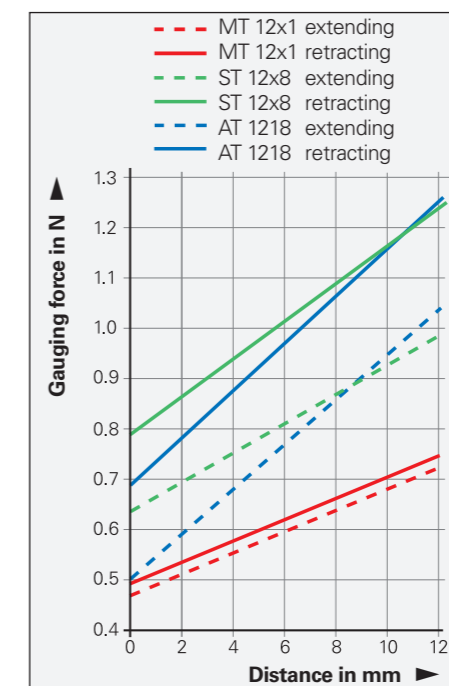


Ball-bush guide

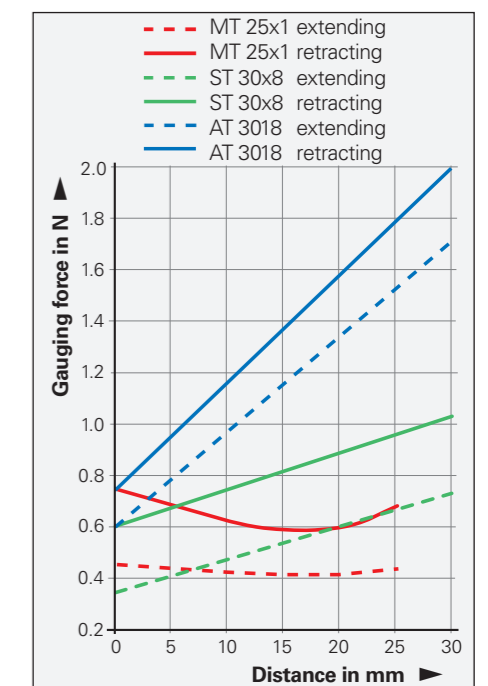
Special variants



12 mm measuring range



25 mm/30 mm measuring range



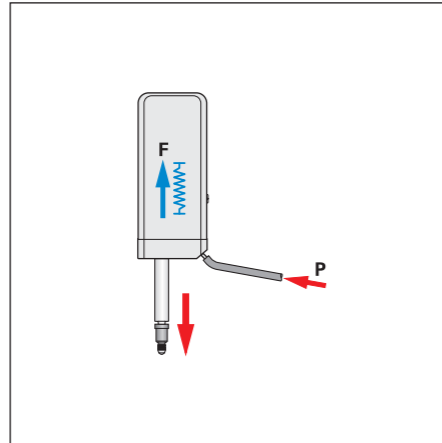
Pneumatic plunger actuation

The pneumatically actuated plungers of the AT 1217, AT 3017, MT 1287, MT 2587, ST 12x7, and ST 30x7 length gauges are extended by the application of compressed air. When the air connection is ventilated, the integral spring retracts the plunger to a protected resting position within the housing.

The **gauging force** can be adjusted to the measuring task through the level of air pressure. At constant pressure, it depends on the operating orientation and the plunger position.

The diagrams show the respective gauging force for a horizontal operating orientation depending on the working pressure applied with the plunger fully extended and fully retracted. These are approximate values that are subject to changes due to tolerances and depend on seal wear.

The working pressure defines the pressure range of the first complete plunger extension up to the maximum specified range.



Note

The compressed air introduced directly into the length gauges must be properly conditioned and must comply with the following quality classes as per **ISO 8573-1** (1995 edition):

- Solid contaminant: Class 1 (max. particle size 0.1 μm and max. particle density 0.1 mg/m^3 at $1 \cdot 10^5$ Pa)
- Total oil content: Class 1 (max. oil concentration 0.01 mg/m^3 at $1 \cdot 10^5$ Pa)
- Max. pressure dew point: Class 4 but with reference conditions of +3 $^\circ\text{C}$ at $2 \cdot 10^5$ Pa

HEIDENHAIN offers the **DA 400 compressed air unit** for purifying compressed air. The minimum flow rate is 10 l/min.

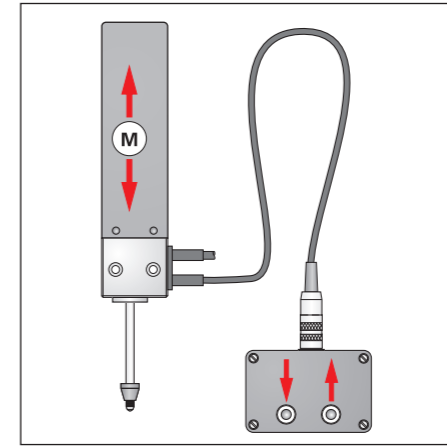
For more information, ask for our **DA 400** Product Information Sheet.

Motorized plunger actuation

The CT 2501, CT 6001, MT 60M, and MT 101 M length gauges feature an integral motor that moves the plunger. It is operated through the switch box either by push button or over the connection for external actuation. The plungers of the CT 2501, CT 6001, and MT 60M length gauges must not be moved by hand if the switch box is connected.

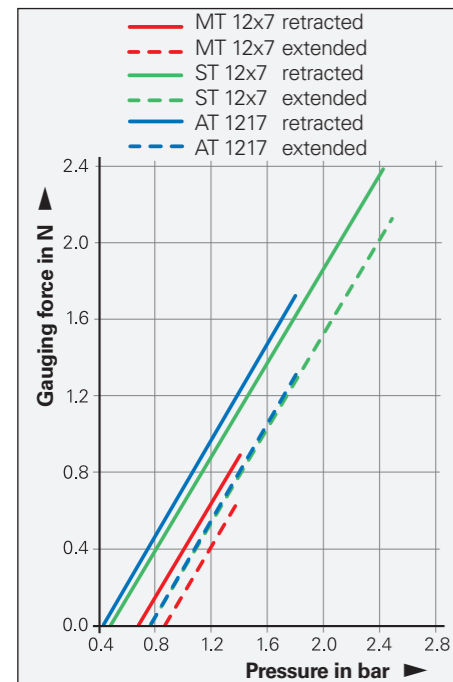
The **gauging force** of the CT 2501, CT 6001, and MT 60 M motorized length gauges is adjustable in three stages through the switch box. The force remains constant over the measuring range but depends on the operating orientation.

Regardless of the operating orientation—whether it measures vertically downward (with the SG 101V switch box) or horizontally (with the SG 101 H switch box)—the MT 101 M exercises a constant gauging force.

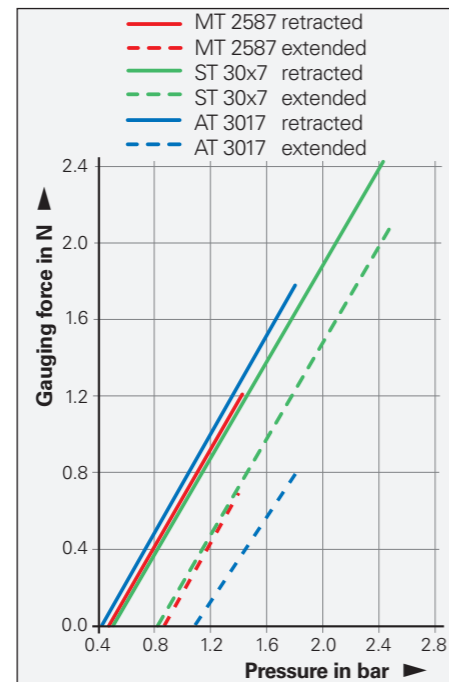


	CT 2501 CT 6001	MT 60M	MT 101 M
Gauging force	Via motor	Via motor	Via motor
Vertically downward	0.85 N/1 N/1.45 N	1 N/1.25 N/1.75 N	0.7 N with SG 101V
Vertically upward	-/-/0.55 N	-/-/0.85 N	-
Horizontal	-/0.55 N/1 N	-/0.8 N/1.3 N	0.7 N with SG 101 H

12 mm measuring range
(pneumatically actuated)



25 mm/30 mm measuring range
(pneumatically actuated)

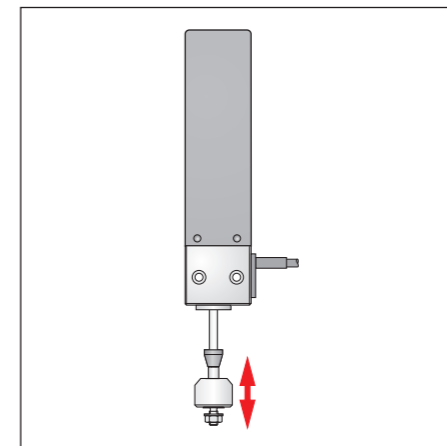


The diagrams apply for the **horizontal operating orientation**, except for special variants. The following compensation values are to be taken into account for other operating orientations.

Model	Operating orientation vertical	
	Upward	Downward
AT 121x AT 301x	-0.12 N -0.18 N	+0.12 N +0.18 N
MT 12xx MT 1281MR MT 25x1 MT 2587	-0.13 N - -0.17 N -0.19 N	+0.13 N +0.13 N +0.17 N +0.19 N
ST 12x7 ST 12x8 ST 30xx	-0.07 N -0.08 N -0.11 N	+0.07 N +0.08 N +0.11 N

External plunger actuation via coupling

For the CT 2502, CT 6002, MT 60K, MT 101 K, and special versions (without spring) of the MT 1200, MT 2500, and ST 1288, the plunger is freely movable. For position measurement, the plunger is connected by a coupling with a moving machine element. The force needed to move the plunger is specified as the required **moving force**. It depends on the operating orientation.



	CT 2502 CT 6002	MT 60K	MT 101 K	MT 1271 \square TTL MT 1281 \sim 1 V _{PP}	MT 2571 \square TTL MT 2581 \sim 1 V _{PP}	ST 1288
Gauging force	Moving force ¹⁾	Moving force ¹⁾	Moving force ¹⁾	-	-	-
Vertically downward	0.45 N	0.4 N	1.7 N	0.13 N	0.17 N	0.2 N
Vertically upward	0.55 N	0.55 N	2 N	-	-	-
Horizontal	0.15 N	0.15 N	0.4 N	-	-	-

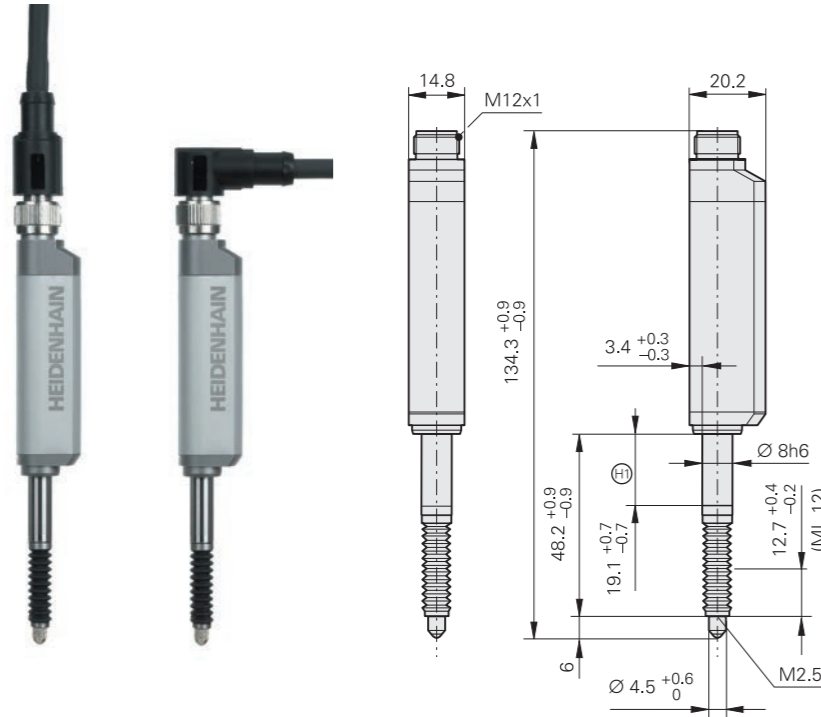
¹⁾ Force required to move the plunger or the force of its weight

HEIDENHAIN-ACANTO

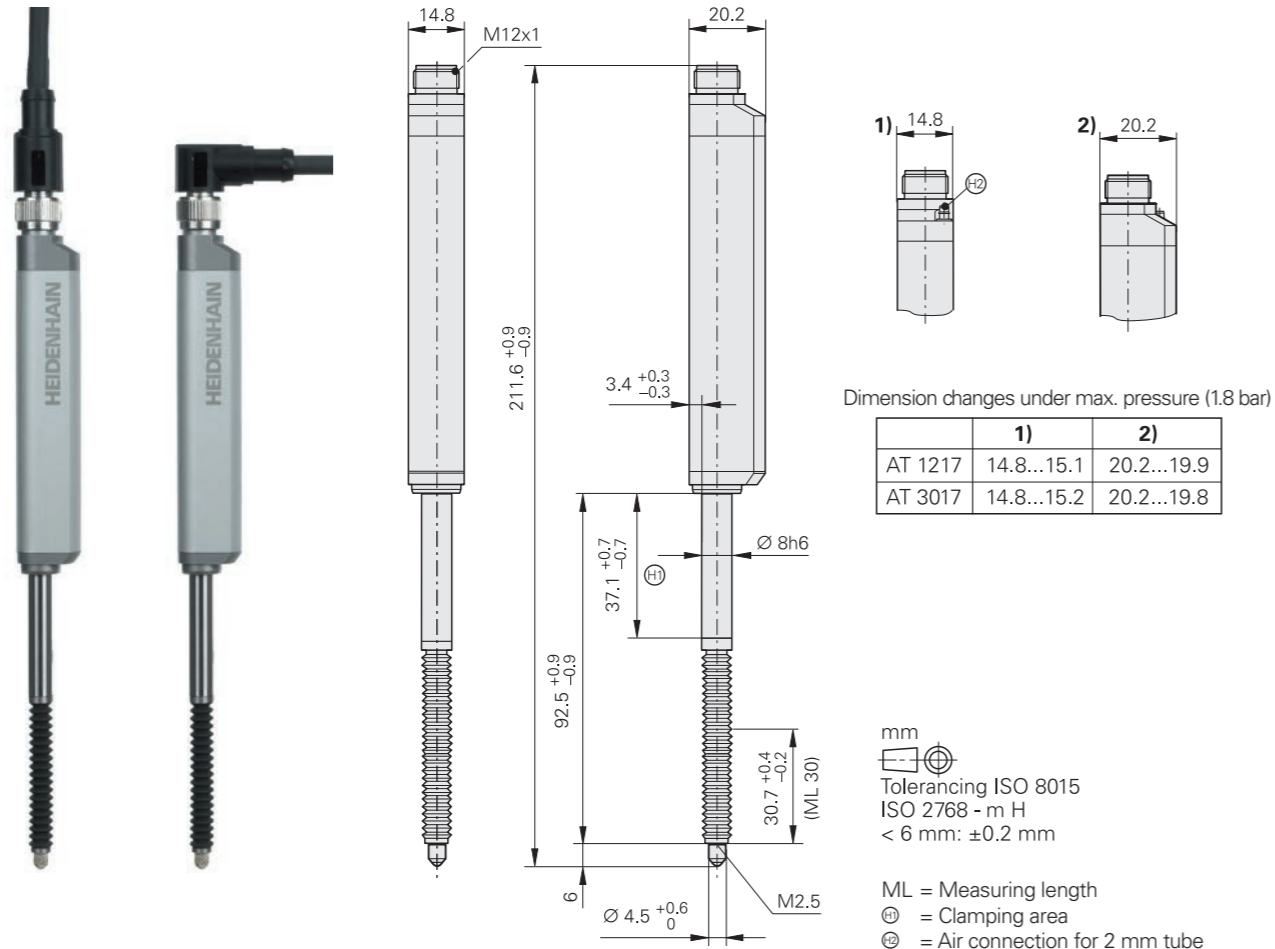
Absolute length gauges with EnDat interface

- Online diagnostics
- Protection rating of up to IP67
- Serial data transmission with CRC

AT 1200



AT 3000



Mechanical data	AT 1218	AT 3018	AT 1217	AT 3017
Plunger actuation Position of plunger at rest	Via measured object Extended		Pneumatic Retracted	
Measuring standard	DIADUR grating on glass; grating period: 188.4 µm			
System accuracy	±1 µm	±2 µm	±1 µm	±2 µm
Position error per signal period	≤ ±0.7 µm			
Measuring range	12 mm	30 mm	12 mm	30 mm
Working pressure	-		0.7 bar to 1.8 bar	1.1 bar to 1.8 bar
Mech. permissible traversing speed	≤ 80 m/min	≤ 120 m/min	≤ 80 m/min	≤ 120 m/min
Radial force	≤ 0.5 N (mechanically permissible)			
Fastening	Clamping shank Ø 8h6			
Operating orientation	Any			
Vibration 55 Hz to 2000 Hz Shock 11 ms	≤ 100 m/s ² (EN 60068-2-6) ≤ 500 m/s ² (EN 60068-2-27)			
Operating temperature	10 °C to 40 °C; reference temperature: 20 °C			
Protection EN 60529	IP67		IP64 ¹⁾ IP67 upon request	IP64 ¹⁾
Mass without cable	80 g	100 g	80 g	100 g

¹⁾ IP67 with sealing air

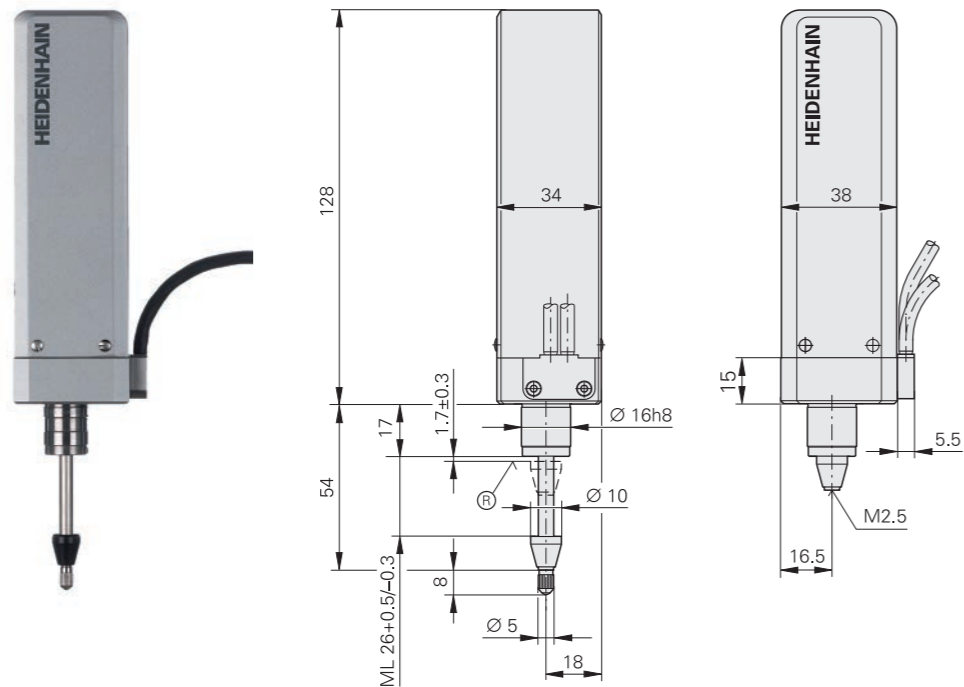
Electrical data	EnDat			
Interface	EnDat 2.2			
Ordering designation	EnDat 22			
Measuring step	23 nm	368 nm	23 nm	368 nm
Calculation time t_{cal} Clock frequency	≤ 5 µs ≤ 8 MHz			
Electrical connection	8-pin M12 flange socket (male)			
Cable length	≤ 100 m with HEIDENHAIN cable			
Supply voltage	DC 3.6 V to 14 V			
Power consumption (max.)	3.6 V: ≤ 550 mW 14 V: ≤ 650 mW			
Current consumption (typical)	5 V: 80 mA (without load)			

HEIDENHAIN-CERTO

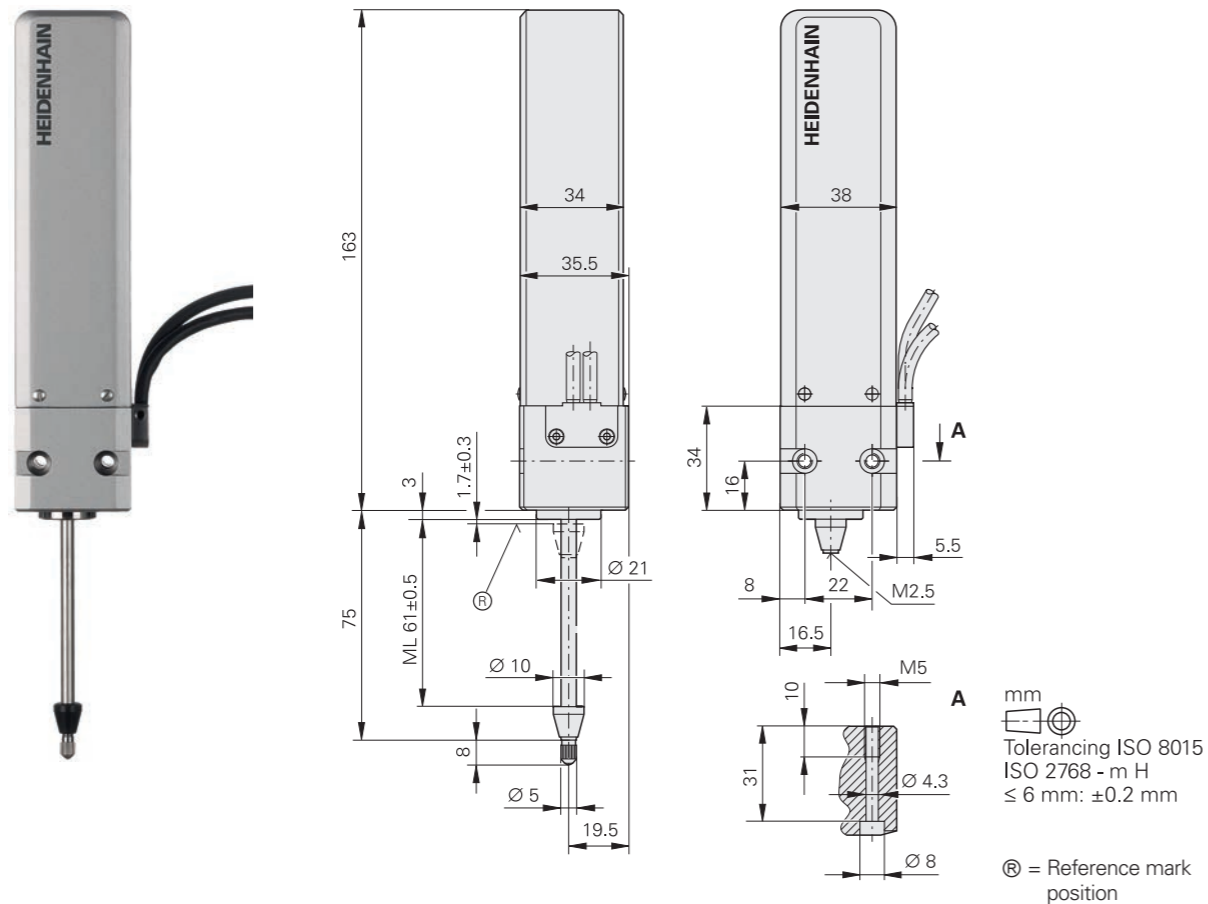
Incremental length gauges with $\pm 0.1 \mu\text{m}/\pm 0.05^1) \mu\text{m}^*/\pm 0.03 \mu\text{m}^1)$ accuracy

- For very high accuracy
- Low thermal expansion through thermally invariant materials
- High-precision ball bearing guide

CT 2500



CT 6000



Mechanical data	CT 2501	CT 6001	CT 2502	CT 6002
Plunger actuation	Via motor		Via coupling with moving machine part	
Measuring standard	DIADUR phase grating on Zerodur glass ceramic; grating period: 4 μm			
System accuracy at 19 °C to 21 °C	$\pm 0.1 \mu\text{m}$, $\pm 0.03 \mu\text{m}^1)$	$\pm 0.1 \mu\text{m}$, $\pm 0.05 \mu\text{m}^1)$	$\pm 0.1 \mu\text{m}$, $\pm 0.03 \mu\text{m}^1)$	$\pm 0.1 \mu\text{m}$, $\pm 0.05 \mu\text{m}^1)$
Position error per signal period	$\leq \pm 0.02 \mu\text{m}$			
Short-range accuracy typically	0.03 μm			
Reference mark	One, approx. 1.7 mm below upper stop			
Measuring range	25 mm	60 mm	25 mm	60 mm
Radial force	$\leq 0.5 \text{ N}$ (mechanically permissible)			
Fastening	Clamping shank ($\varnothing 16\text{h}8$)	Plane surface	Clamping shank ($\varnothing 16\text{h}8$)	Plane surface
Operating orientation	Any (for preferred operating orientation, see <i>Mounting</i>)			
Vibration 55 Hz to 2000 Hz Shock 11 ms	$\leq 100 \text{ m/s}^2$ (EN 60068-2-6) $\leq 1000 \text{ m/s}^2$ (EN 60068-2-27)			
Operating temperature	10 °C to 40 °C; reference temperature: 20 °C			
Protection EN 60529	IP50			
Mass without cable	520 g	700 g	480 g	640 g

Electrical data	CT 2501	CT 6001	CT 2502	CT 6002
Interface	$\sim 11 \mu\text{A}_{\text{PP}}$			
Signal period	2 μm			
Measuring velocity	$\leq 24 \text{ m/min}$ (depending on the subsequent electronics) $\leq 12 \text{ m/min}$ with the ND 28x digital readout			
Electrical connection*	<ul style="list-style-type: none"> • Cable 1.5 m with 15-pin D-sub connector (male) • Cable 1.5 m with 9-pin M23 connector (male) Interface electronics integrated in connector			
Cable length	$\leq 30 \text{ m}$			
Supply voltage	DC 5 V $\pm 0.25 \text{ V}/< 170 \text{ mA}$		DC 5 V $\pm 0.25 \text{ V}/< 120 \text{ mA}$	

Required accessories*	For CT 2501	For CT 6001
Switch box	SG 25M	SG 60M

* Please select when ordering

¹⁾ After linear length-error compensation in the evaluation electronics

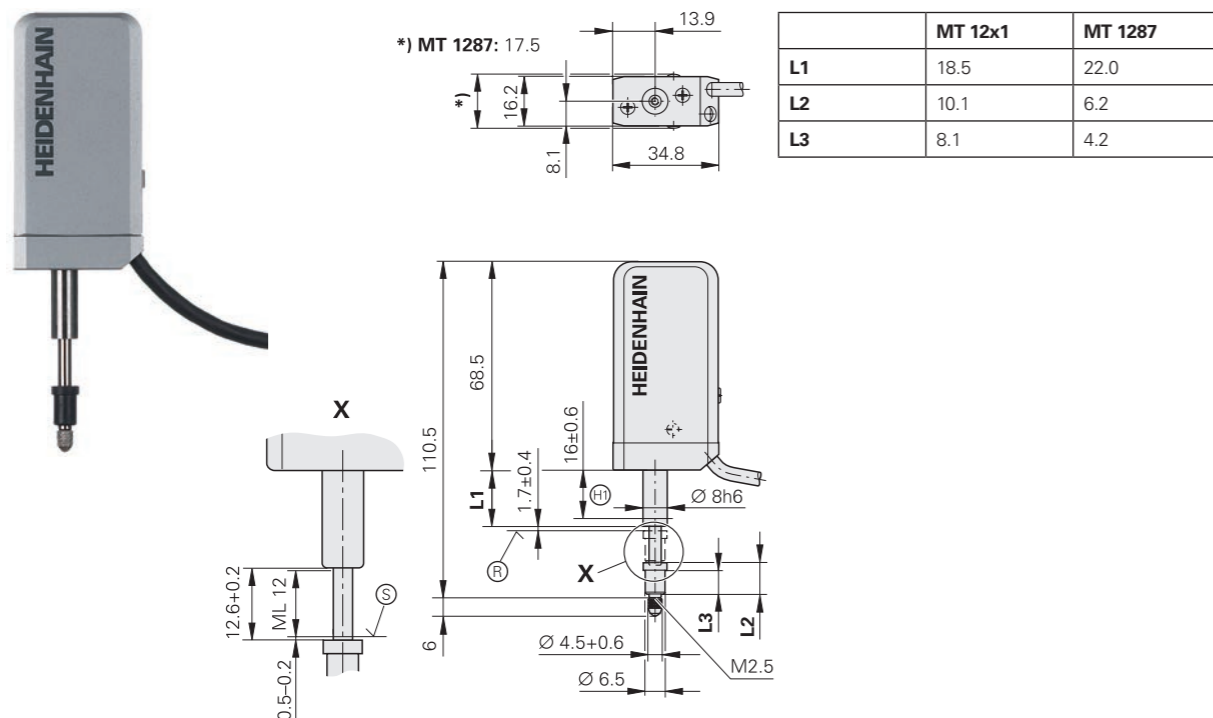
²⁾ Force required to move the plunger or the force of its weight

HEIDENHAIN-METRO

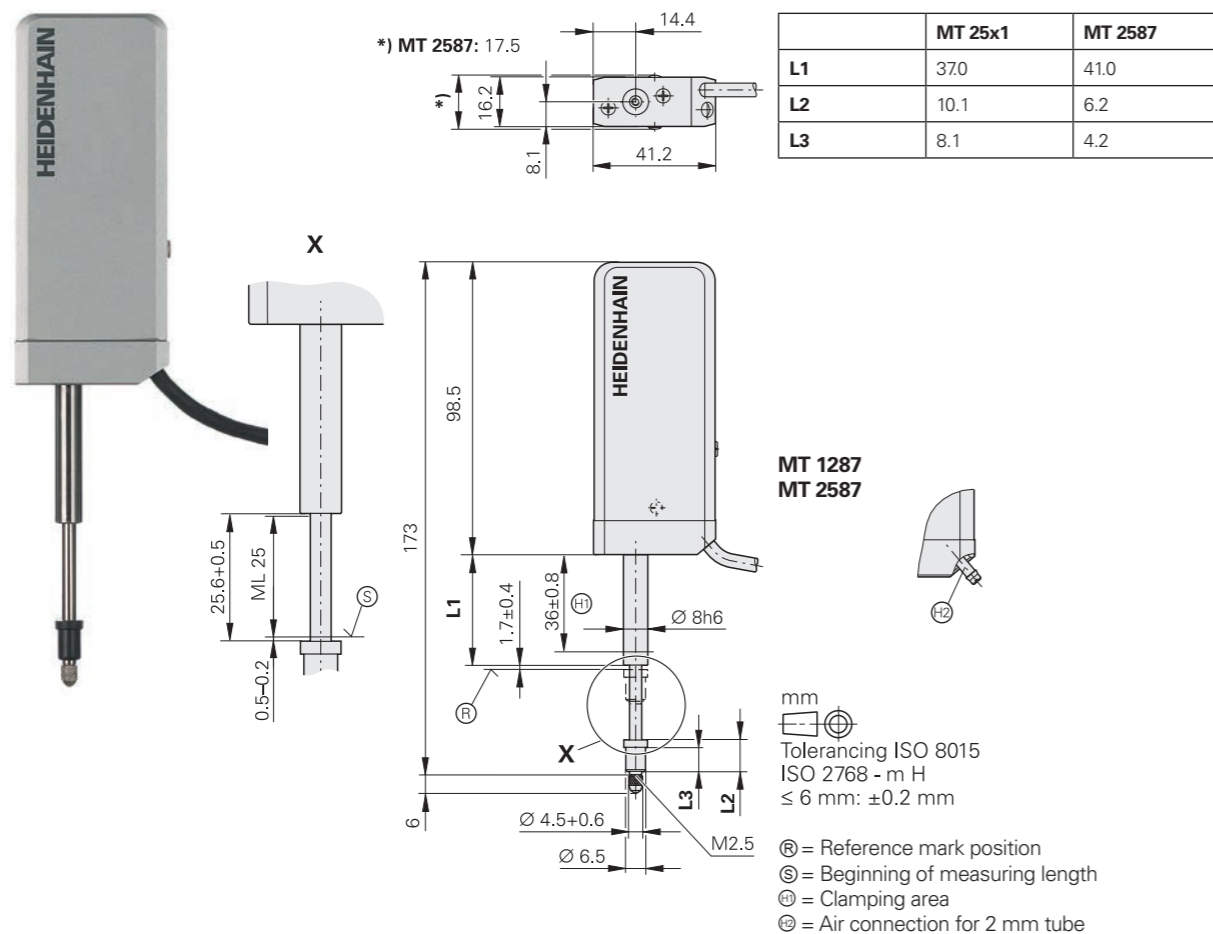
Incremental length gauges with $\pm 0.2 \mu\text{m}$ accuracy

- High repeatability
- Various gauging force variants
- Various possibilities for plunger actuation

MT 1200



MT 2500



Mechanical data	MT 1271 TTL MT 1281 $\sim 1 V_{PP}$	MT 2571 TTL MT 2581 $\sim 1 V_{PP}$	MT 1287 $\sim 1 V_{PP}$	MT 2587 $\sim 1 V_{PP}$
Plunger actuation Position of plunger at rest	Via cable or measured object Extended		Pneumatic Retracted	
Measuring standard	DIADUR phase grating on Zerodur glass ceramic; grating period: 4 μm			
System accuracy	$\pm 0.2 \mu\text{m}$			
Position error per signal period	$\leq \pm 0.02 \mu\text{m}$			
Short-range accuracy typically	0.03 μm	0.04 μm	0.03 μm	0.04 μm
Reference mark	$\approx 1.7 \text{ mm}$ below upper stop			
Measuring range	12 mm	25 mm	12 mm	25 mm
Working pressure	-		0.9 bar to 1.4 bar	
Radial force	$\leq 0.8 \text{ N}$ (mechanically permissible)			
Fastening	Clamping shank $\varnothing 8\text{h6}$			
Operating orientation	Any; for version without spring and with low gauging force: vertically downward			
Vibration 55 Hz to 2000 Hz Shock 11 ms	$\leq 100 \text{ m/s}^2$ (EN 60068-2-6) $\leq 1000 \text{ m/s}^2$ (EN 60068-2-27)			
Operating temperature	10 °C to 40 °C; reference temperature: 20 °C			
Protection EN 60529	IP50		IP67 (with sealing air)	
Mass without cable	100 g	180 g	110 g	190 g

Electrical data	MT 1271 MT 2571	MT 128x MT 258x
Interface	TTL	$\sim 1 V_{PP}$
Integrated interpolation*	5-fold	10-fold
Signal period	0.4 μm	0.2 μm
Mech. permissible traversing speed	$\leq 30 \text{ m/min}$	
Edge separation a at scanning frequency*/traversing speed¹⁾	200 kHz $\leq 24 \text{ m/min}$ $\geq 0.23 \mu\text{s}$ 100 kHz $\leq 12 \text{ m/min}$ $\geq 0.48 \mu\text{s}$ 50 kHz $\leq 6 \text{ m/min}$ $\geq 0.98 \mu\text{s}$ 25 kHz $\leq 3 \text{ m/min}$ -	-
Electrical connection* (interface electronics integrated in connector)	Cable 1.5 m with 15-pin D-sub connector (male)	Cable 1.5 m with • 15-pin D-sub connector (male) • 12-pin M23 connector (male)
Cable length	$\leq 30 \text{ m}$ with HEIDENHAIN cable	
Voltage supply	DC 5 V $\pm 0.5 \text{ V}$ / < 160 mA (without load)	DC 5 V $\pm 0.25 \text{ V}$ / < 130 mA

* Please select when ordering

¹⁾ At the corresponding cutoff or scanning frequency

HEIDENHAIN-METRO

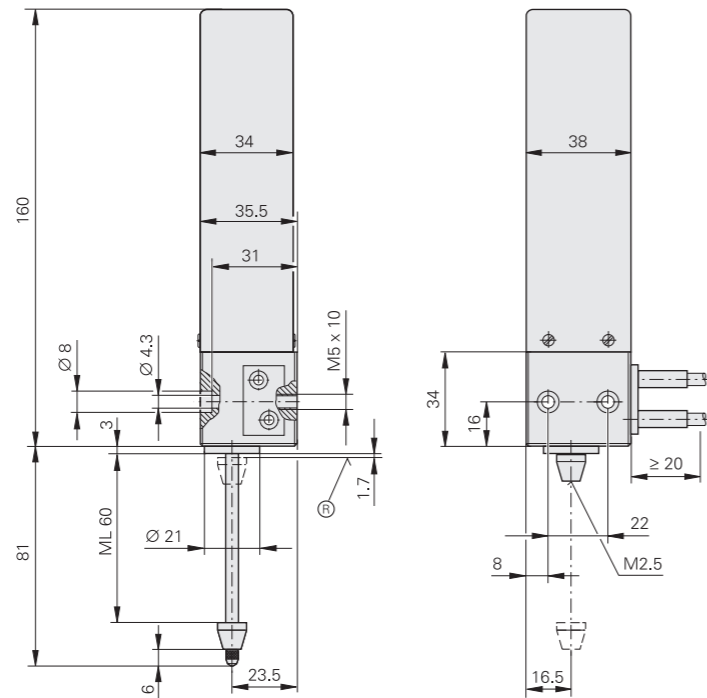
Incremental length gauges with $\pm 0.5 \mu\text{m}/\pm 1 \mu\text{m}$ accuracy

- Large measuring ranges
- Plunger actuation by motor or coupling
- Ball-bush guided plunger

MT 60M



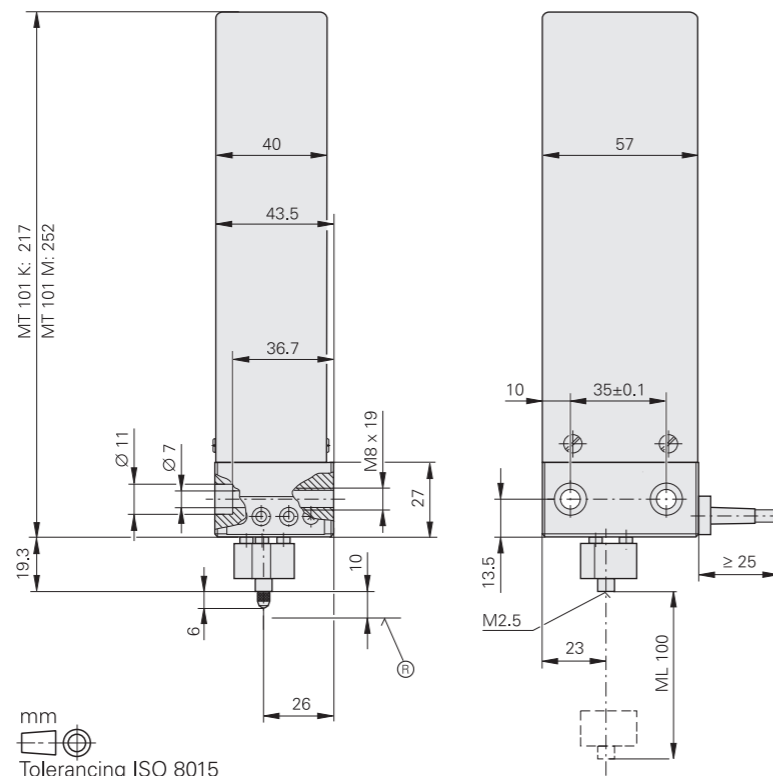
MT 60



MT 101M



MT 101



mm
 Tolerancing ISO 8015
 ISO 2768 - m H
 $\leq 6 \text{ mm}: \pm 0.2 \text{ mm}$

Ⓜ = Reference mark position

Mechanical data	MT 60M	MT 101M	MT 60K	MT 101K
Plunger actuation	Via motor		Via coupling with moving machine part	
Measuring standard	DIADUR grating on silica glass; grating period: 10 μm			
System accuracy	$\pm 0.5 \mu\text{m}$	$\pm 1 \mu\text{m}$	$\pm 0.5 \mu\text{m}$	$\pm 1 \mu\text{m}$
Position error per signal period	$\leq \pm 0.1 \mu\text{m}$			
Reference mark	$\approx 1.7 \text{ mm}$ from top	$\approx 10 \text{ mm}$ from top	$\approx 1.7 \text{ mm}$ from top	$\approx 10 \text{ mm}$ from top
Measuring range	60 mm	100 mm	60 mm	100 mm
Radial force mechanically permissible	$\leq 0.5 \text{ N}$	$\leq 2 \text{ N}$	$\leq 0.5 \text{ N}$	$\leq 2 \text{ N}$
Fastening	Plane surface			
Operating orientation	Any	Vertically downward with SG 101V Horizontal with SG 101 H	Any	
Vibration 55 Hz to 2000 Hz Shock 11 ms	$\leq 100 \text{ m/s}^2$ (EN 60068-2-6) $\leq 1000 \text{ m/s}^2$ (EN 60068-2-27)			
Operating temperature	10 °C to 40 °C; reference temperature: 20 °C			
Protection EN 60529	IP50			
Mass without cable	700 g	1400 g	600 g	1200 g

Electrical data	MT 60M	MT 101M	MT 60K	MT 101K
Interface	$\sim 11 \mu\text{A}_{PP}$			
Signal period	10 μm			
Measuring velocity	$\leq 18 \text{ m/min}$	$\leq 60 \text{ m/min}$	$\leq 18 \text{ m/min}$	$\leq 60 \text{ m/min}$
Electrical connection*	Cable, 1.5 m, with 15-pin D-sub connector (male) or with 9-pin M23 connector (male)			
Cable length	$\leq 30 \text{ m}$ with HEIDENHAIN cable			
Supply voltage	DC 5 V $\pm 0.25 \text{ V}$			
Current consumption	$< 120 \text{ mA}$	$< 70 \text{ mA}$		

Required accessories*	For MT 60 M	For MT 101 M
Switch box	SG 60M	Vertical orientation: SG 101 V Horizontal orientation: SG 101 H
Power adapter	–	Required (see Accessories)

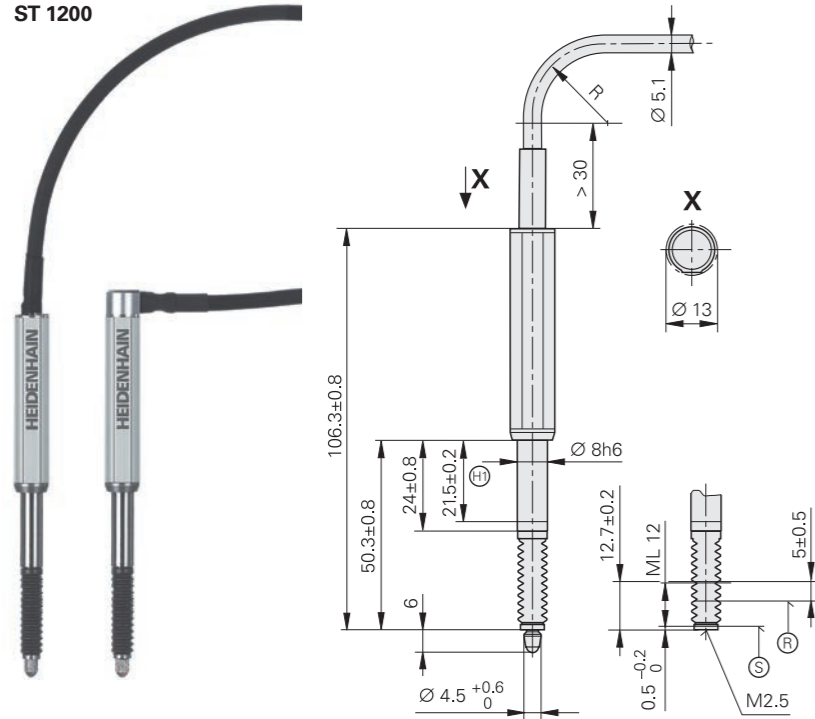
* Please select when ordering

HEIDENHAIN-SPECTO

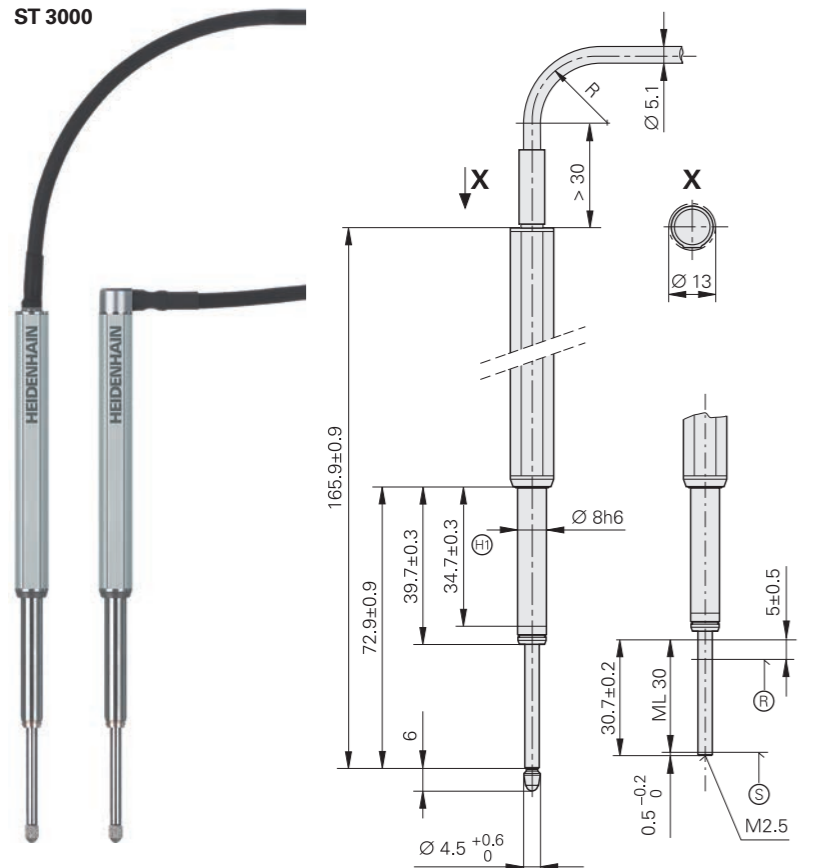
Incremental length gauges with $\pm 1 \mu\text{m}$ accuracy

- Very compact dimensions
- Protection rating of up to IP67
- Especially durable ball-bush guide

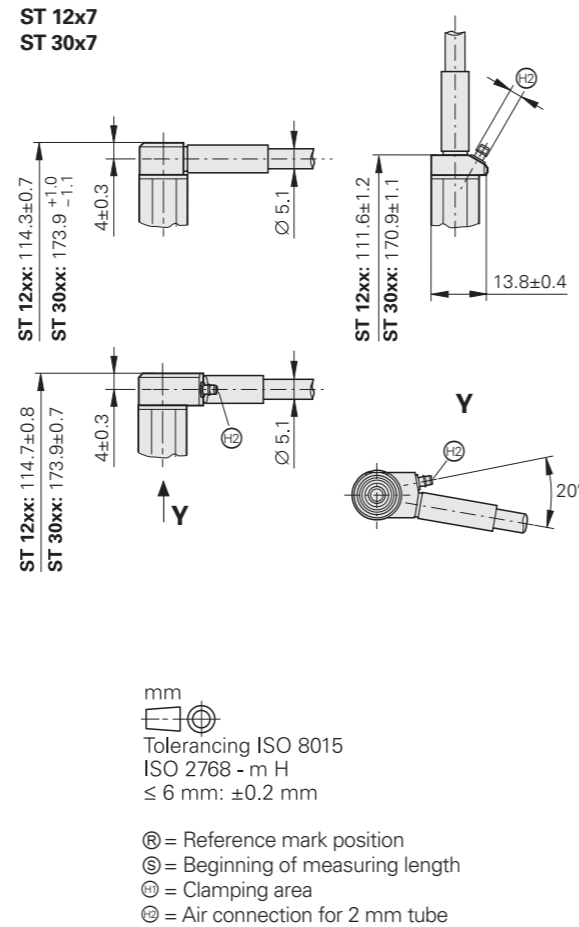
ST 1200



ST 3000



ST 12x7
ST 30x7



Mechanical data	ST 1278 TTL ST 1288 1 V _{PP}	ST 3078 TTL ST 3088 1 V _{PP}	ST 1277 TTL ST 1287 1 V _{PP}	ST 3077 TTL ST 3087 1 V _{PP}
Plunger actuation Position of plunger at rest	Via measured object Extended		Pneumatic Retracted	
Measuring standard	DIADUR grating on glass; grating period: 20 μm			
System accuracy	$\pm 1 \mu\text{m}$			
Position error per signal period	$\leq \pm 0.2 \mu\text{m}$			
Short-range accuracy typically	0.3 μm			
Reference mark	$\approx 5 \text{ mm}$ below upper stop			
Measuring range	12 mm	30 mm	12 mm	30 mm
Working pressure	-		0.8 bar to 2.5 bar	
Radial force	$\leq 0.8 \text{ N}$ (mechanically permissible)			
Fastening	Clamping shank $\varnothing 8\text{h6}$			
Operating orientation	Any			
Vibration 55 Hz to 2000 Hz Shock 11 ms	$\leq 100 \text{ m/s}^2$ (EN 60068-2-6) $\leq 1000 \text{ m/s}^2$ (EN 60068-2-27)			
Operating temperature	10 °C to 40 °C; reference temperature: 20 °C			
Protection EN 60529	IP67/IP64	IP64		
Mass without cable	40 g	50 g	40 g	50 g

Electrical data	ST 127x ST 307x	ST 128x ST 308x
Interface	TTL	1 V _{PP}
Integrated interpolation*	5-fold	10-fold
Signal period	4 μm	2 μm
Edge separation <i>a</i> at scanning frequency*/traverse speed²⁾ 100 kHz $\leq 72 \text{ m/min}$ ¹⁾ 50 kHz $\leq 60 \text{ m/min}$ 25 kHz $\leq 30 \text{ m/min}$	$\geq 0.48 \mu\text{s}$ $\geq 0.98 \mu\text{s}$ $\geq 1.98 \mu\text{s}$	$\geq 0.23 \mu\text{s}$ $\geq 0.48 \mu\text{s}$ $\geq 0.98 \mu\text{s}$
Electrical connection*	Cable 1.5 m with 15-pin D-sub connector (male, integrated interface electronics)	Cable 1.5 m with • 15-pin D-sub connector (male) • 12-pin M23 connector (male)
Cable outlet*	Axial or radial	
Cable length	$\leq 30 \text{ m}$ with HEIDENHAIN cable	
Supply voltage	DC 5 V $\pm 0.5 \text{ V}$	
Current consumption	$< 100 \text{ mA}$ (without load)	$< 55 \text{ mA}$

* Please select when ordering

¹⁾ Mechanically limited

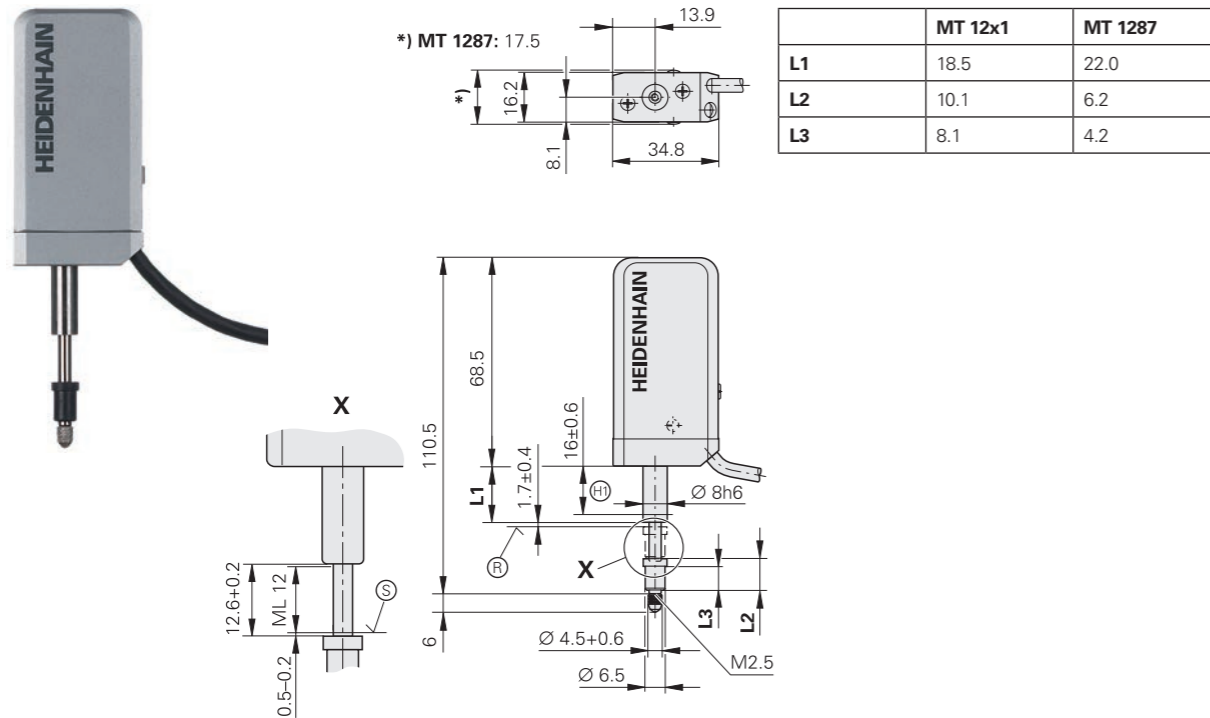
²⁾ At a corresponding cutoff or scanning frequency

Length gauges with low measuring forces

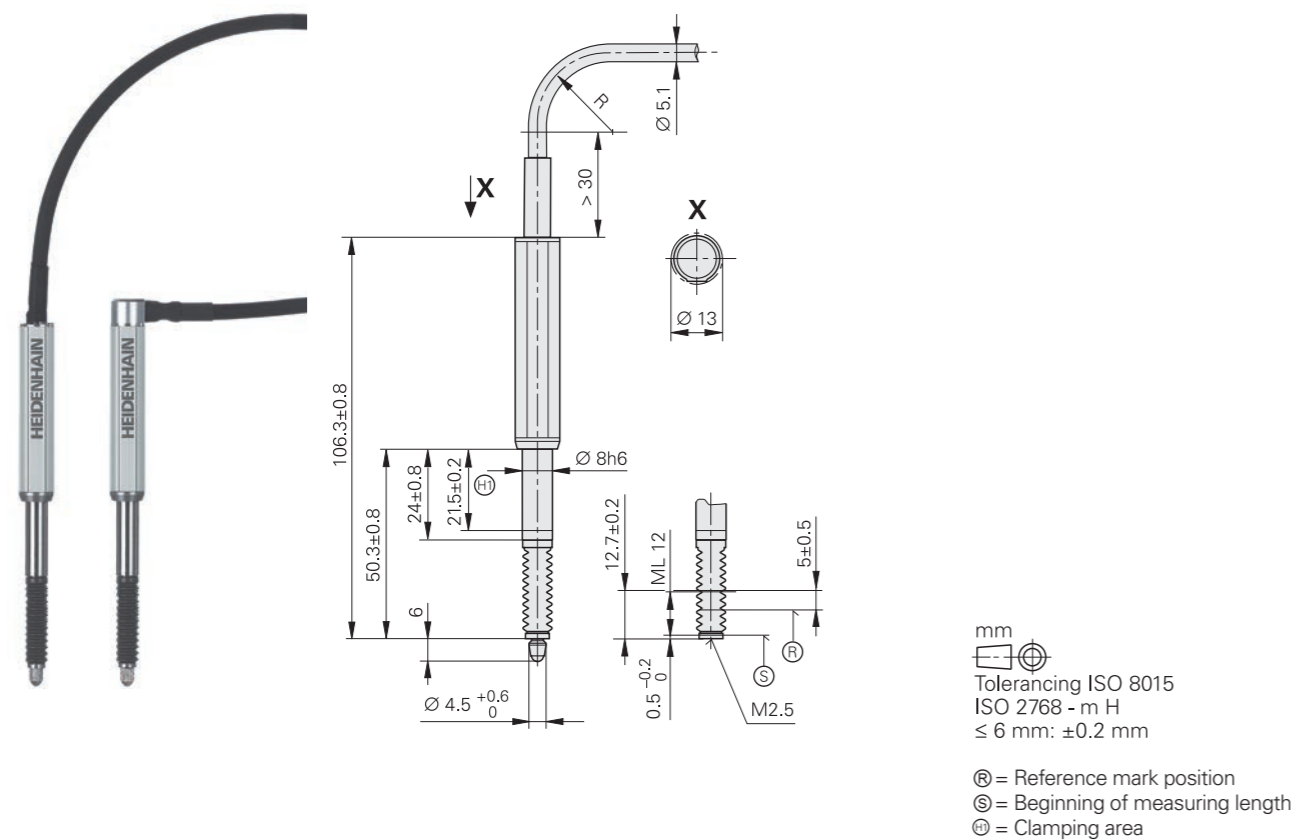
Incremental length gauges

- Ball-bush guided plunger
- Same specifications as for standard products

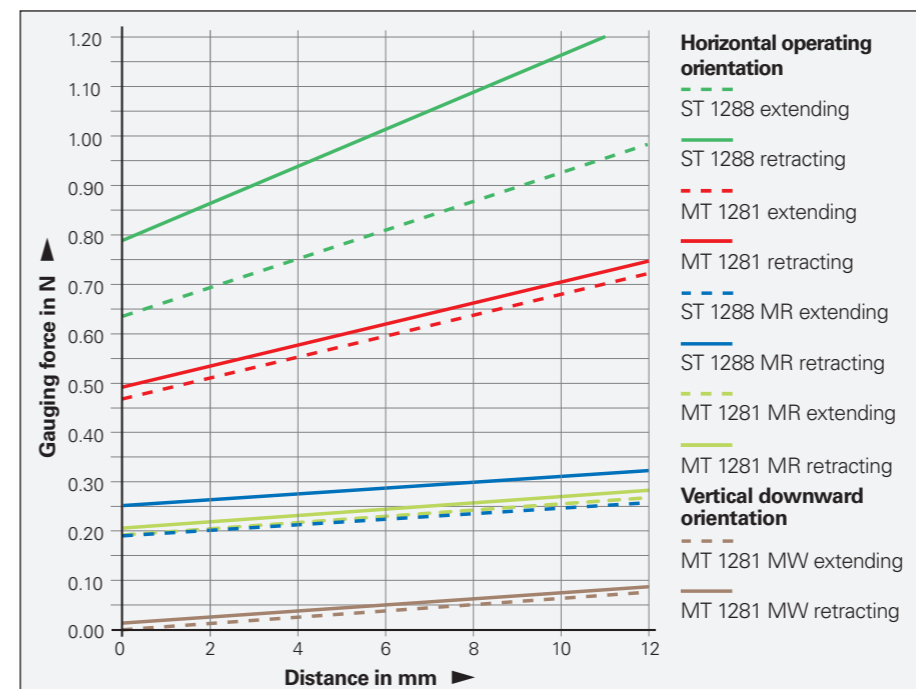
MT 1200



ST 12



Mechanical data	MT 1281	ST 1288
Plunger actuation	Via cable or measured object	Via measured object
Measuring standard	DIADUR phase grating on Zerodur glass ceramic; grating period: 4 μm	DIADUR grating on glass; grating period: 20 μm
System accuracy	±0.2 μm	±1 μm
Short-range accuracy typically	0.03 μm	0.3 μm
Measuring range	12 mm	
Fastening	Clamping shank Ø 8h6	
Protection EN 60529	IP50	IP50
Interface	~ 1 V _{pp}	
Signal period	2 μm	20 μm



The diagram applies for the **horizontal operating orientation**, except for MT 1281 MW. For compensation values for other orientations, see the table on p. 20.

	Version	Gauging force	Operating orientation
MT 1281	Default	0.75 N ¹⁾	Any desired operating orientation
	MR	0.25 N ¹⁾	Vertically downward and horizontal
	MW	0 N ¹⁾	Vertically downward
	MG	0.13 N ²⁾	Vertically downward
ST 1288	Default	0.65 N ¹⁾	Any desired operating orientation
	MR	0.4 N ¹⁾	Any desired operating orientation
	MG	0.2 N ²⁾	Vertically downward

¹⁾ With nearly fully extended plunger

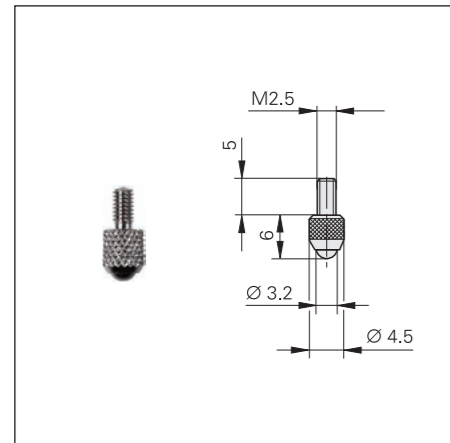
²⁾ Over the entire measuring range

Accessories

Measuring contacts

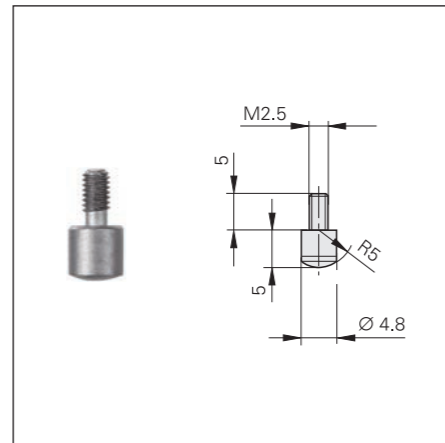
Ball-type contact

Steel ID 202504-01
 Carbide ID 202504-02
 Ruby ID 202504-03



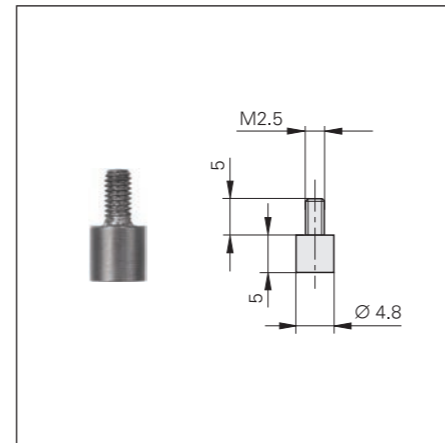
Domed contact

Carbide ID 229232-01



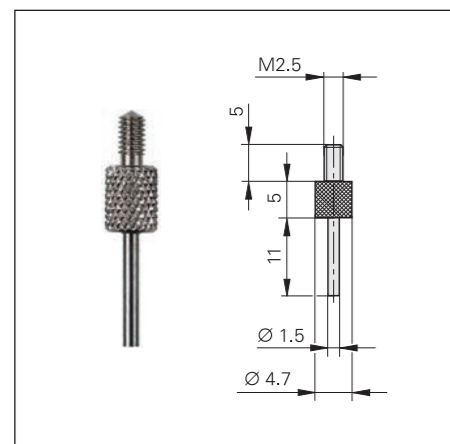
Flat contact

Steel ID 270922-01
 Carbide ID 202506-01



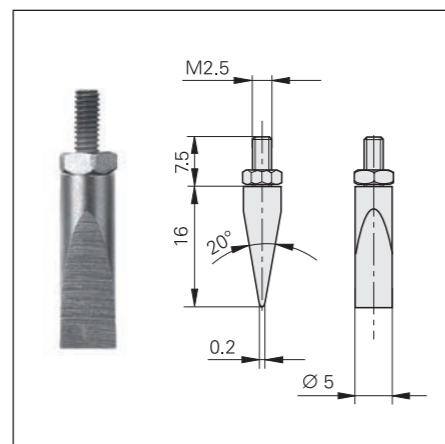
Pin-type contact

Steel ID 202505-01



Knife-edge contact

Steel ID 202503-01



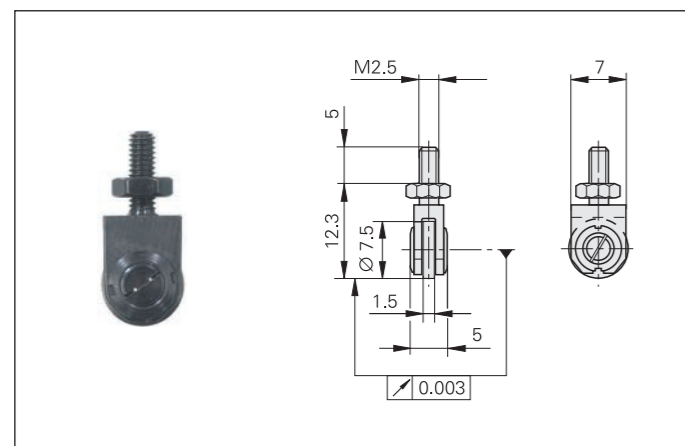
mm

 Tolerancing ISO 8015
 ISO 2768 - m H
 ≤ 6 mm: ±0.2 mm

Roller contact, steel

For a low-friction contact with moving surfaces

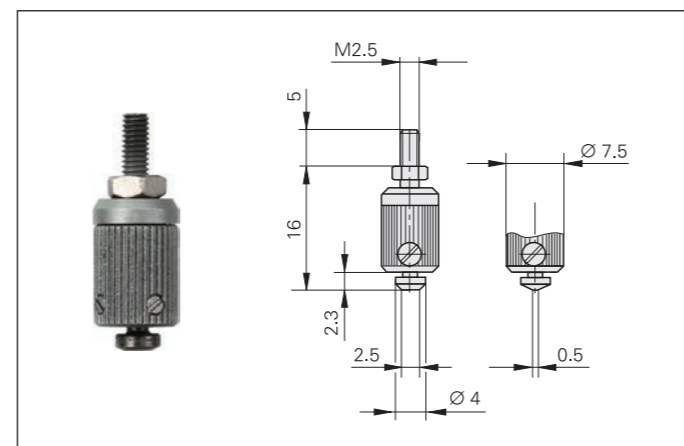
Crowned ID 202502-03
 Cylindrical ID 202502-04



Adjustable contact, carbide

For exact parallel alignment to the measuring plate surface

Flat ID 202507-01
 Knife-edged ID 202508-01



Switch boxes, coupling

Switch boxes for CT 2501, CT 6001, MT 60 M, MT 101 M

Switch boxes are required for length gauges with motorized plunger actuation. The plunger is controlled through two push buttons or by external signal. The SG 25 M and SG 60 M switch boxes can adjust the gauging force in three stages.

SG 25 M
 ID 317436-01

SG 60 M
 ID 317436-02

SG 101V¹⁾
 For the MT 101 M in vertical operation
 ID 361140-01

SG 101H¹⁾
 For the MT 101 M in horizontal operation
 ID 361140-02

Connector (female), 3-pin
 For external operation of the switch box
 ID 340646-05

¹⁾ Separate power adapter required

Power adapter for SG 101 V/H

An adapter connected to the switch box powers the MT 101 M.

Voltage range: AC 100 V to 240 V
 Exchangeable plug adapter
 (European and U.S. connectors included in delivery)

ID 312426-13

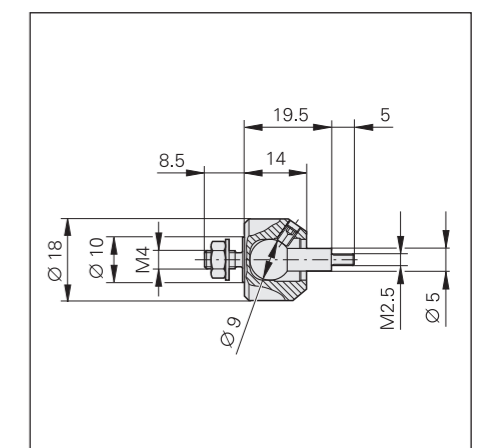
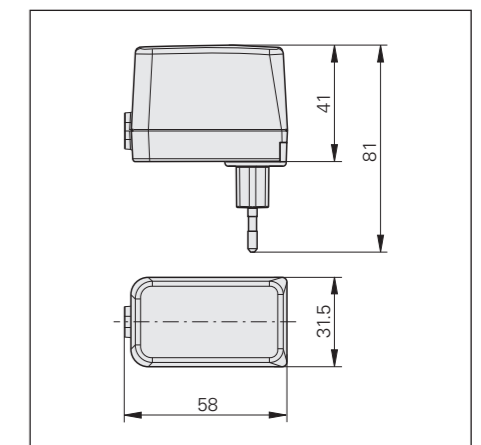
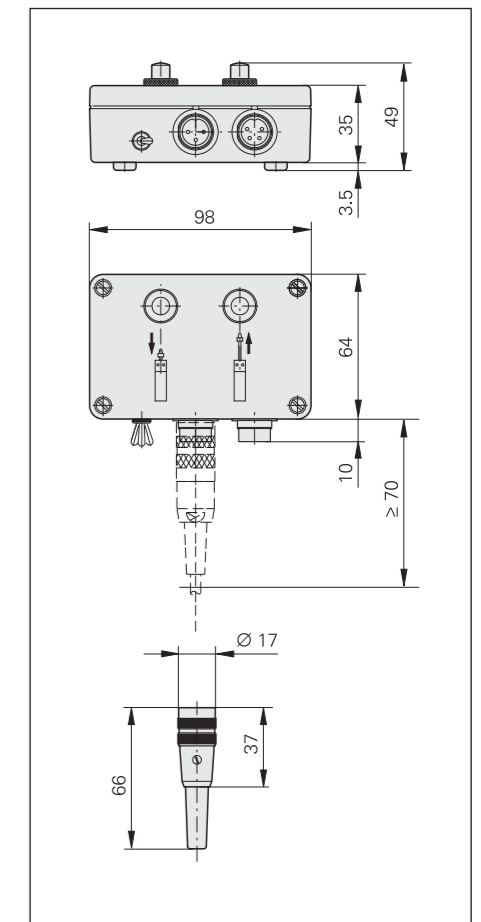
Coupling

For connecting the plunger of the length gauge (specifically for the MT 60K, MT 101 K, CT 2502, and CT 6002) to a moving machine element

ID 206310-01

mm

 Tolerancing ISO 8015
 ISO 2768 - m H
 ≤ 6 mm: ±0.2 mm



Accessories for HEIDENHAIN-CERTO

Gauge stand

CS 200 gauge stand

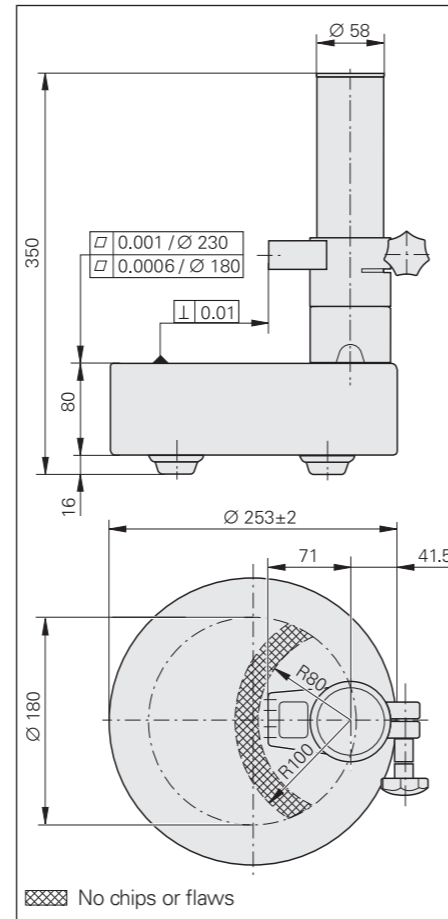
For length gauges CT 2501*
CT 6001

ID 221310-01

Overall height 350 mm
Measuring table \varnothing 250 mm
Column \varnothing 58 mm
Mass 15 kg

* With special holder

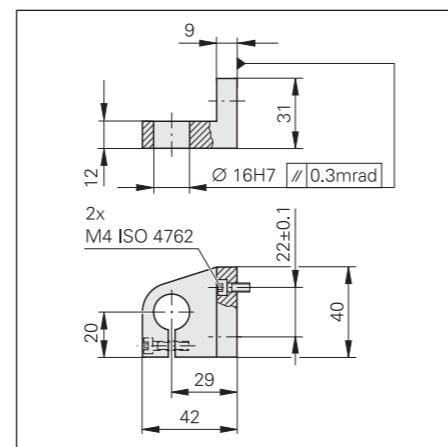
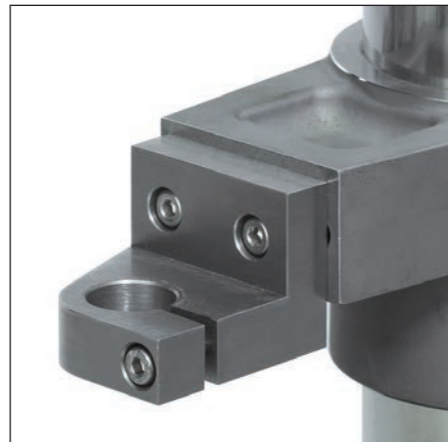
The flatness of the CS 200 is determined with the aid of a Fizeau interferometer.



Holder for CS 200

For the CT 2501 with \varnothing 16 mm clamping shank

ID 324391-01



mm
Tolerancing ISO 8015
ISO 2768 - m H
 ≤ 6 mm: ± 0.2 mm

Ceramic suction plate, diaphragm pump

Ceramic suction plate

Wear-resistant working surface with high surface quality specifically for inspecting gauge blocks

ID 223100-01

The gauge block (class 1 or 2)—or any other object with a plane surface—is drawn by suction onto the top of the ceramic plate. The ceramic plate is likewise drawn to the granite base and held in place through negative pressure.

Parts for connecting the ceramic suction plate with the diaphragm pump are among the items supplied:

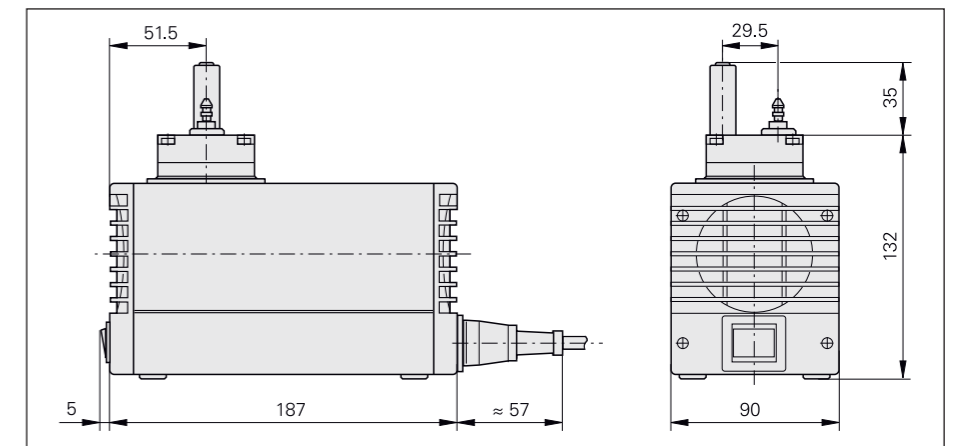
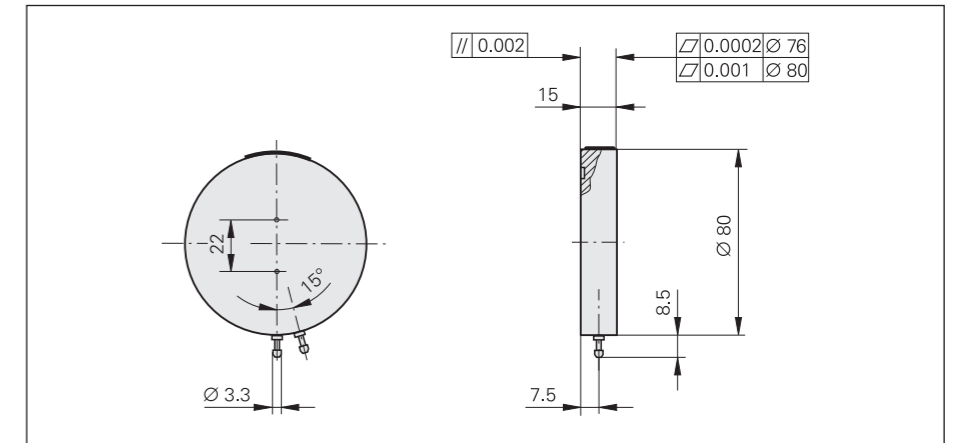
Pressure tubing: 3 m
Tjoint
Connecting piece

Diaphragm pump

Source of suction for drawing the measured object and ceramic suction plate

Power consumption 20 W
Mass 2.3 kg
Line voltage AC 230 V / 50 Hz
ID 754220-01

Line voltage AC 115 V / 60 Hz
ID 754220-02



mm
Tolerancing ISO 8015
ISO 2768 - m H
 ≤ 6 mm: ± 0.2 mm

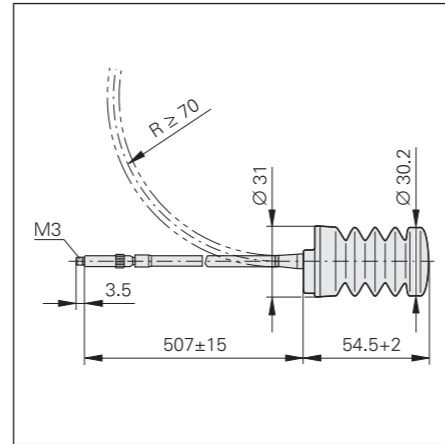
Accessories for HEIDENHAIN-ACANTO, HEIDENHAIN-METRO, and HEIDENHAIN-SPECTO

Cable release and gauge stands

Cable release

For manual plunger actuation on the MT 1200 and MT 2500. Built-in pneumatic damping reduces the plunger extension speed to prevent bouncing (e.g., on very hard materials).

ID 257790-01

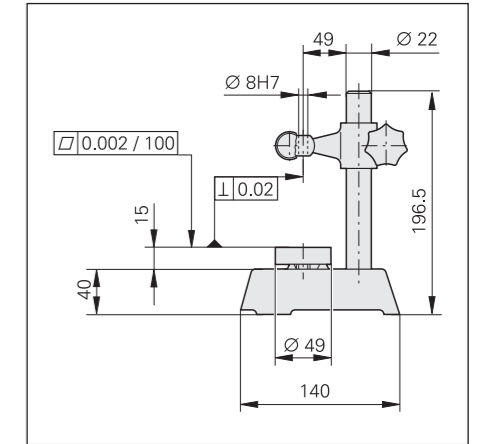


MS 45 gauge stand

For length gauges AT
ST
MT 1200
MT 2500

ID 202162-02

Overall height 196.5 mm
Measuring table Ø 49 mm
Column Ø 22 mm
Mass 2.2 kg



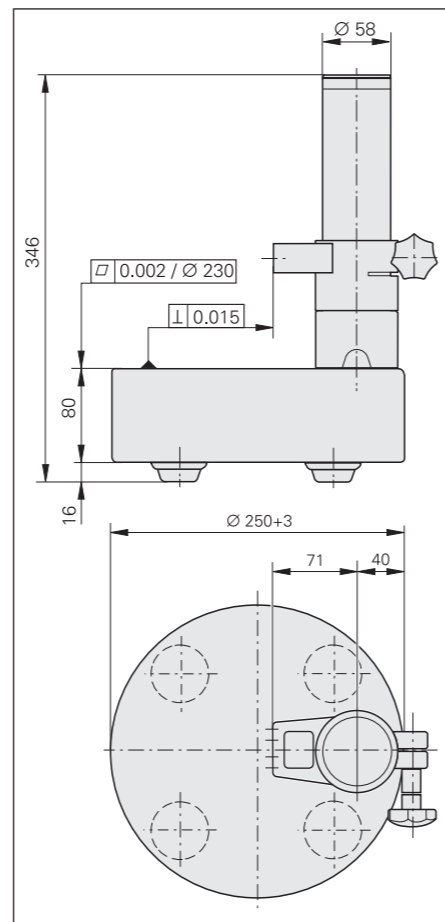
MS 200 gauge stand

For length gauges AT¹⁾
ST¹⁾
MT 1200¹⁾
MT 2500¹⁾
MT 60 M
MT 101 M

ID 244154-01

Total height 346 mm
Base Ø 250 mm
Column Ø 58 mm
Mass 18 kg

¹⁾ With special holder



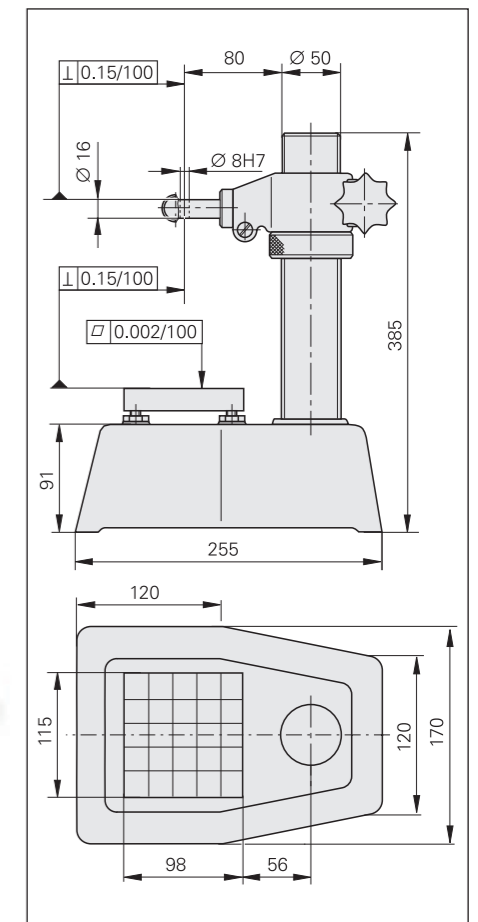
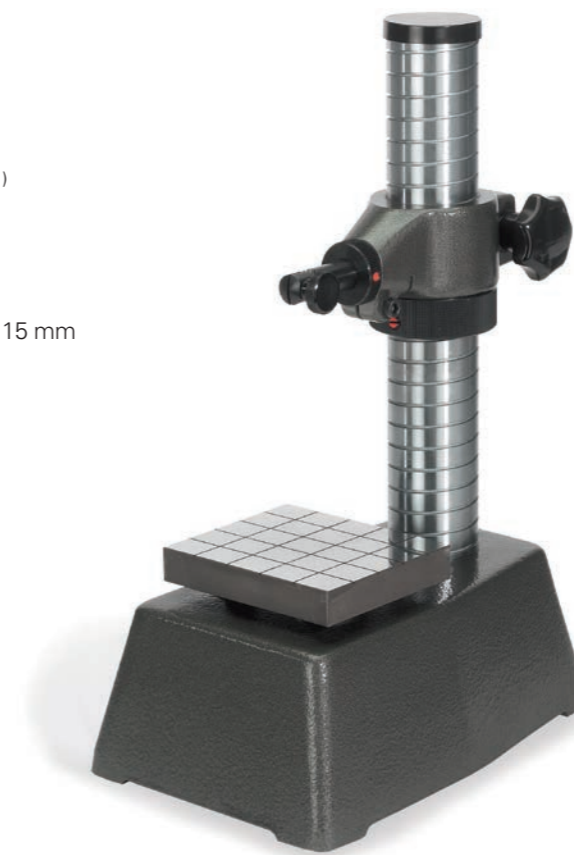
MS 100 gauge stand

For length gauges AT
ST
MT 1200
MT 2500
MT 60 M¹⁾
MT 101 M¹⁾

ID 202164-02

Overall height 385 mm
Measuring table 98 mm x 115 mm
Column Ø 50 mm
Mass 18 kg

¹⁾ With special holder



Holder for the MS 200

For mounting the length gauge with a clamping shaft (Ø 8 mm), including the AT, ST, MT 1200, and MT 2500

ID 324391-02

mm
Tolerancing ISO 8015
ISO 2768 - m H
≤ 6 mm: ±0.2 mm

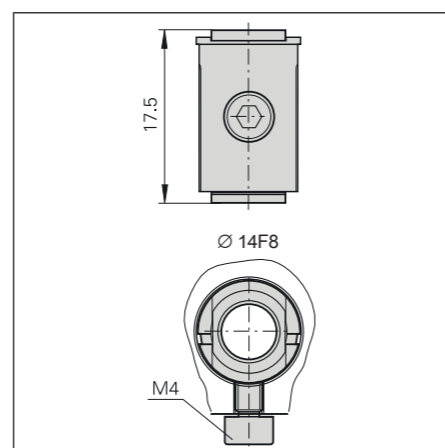
Clamping sleeve and clamping bush

For all length gauges with a Ø 8 mm clamping shaft, including the AT, ST, MT 1200, and MT 2500, for secure attachment of the length gauge without overburdening the 8h6 clamping shank:

Clamping sleeve with screw
ID 386811-01 (qty. 1)
ID 386811-02 (qty. 10)

Clamping bush with screw
ID 1177968-02

Additional protection from damage to the ball guide, as well as a wide tolerance range for the tightening torque

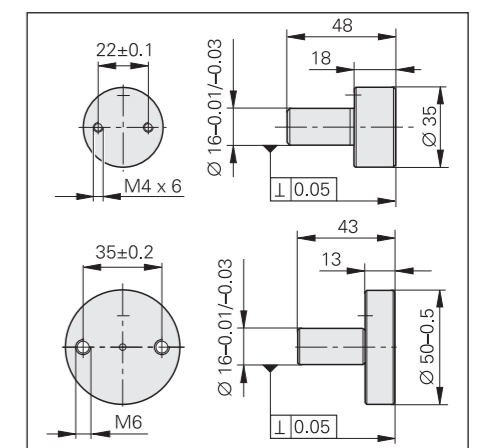


Holder for MS 100

For mounting the MT 60 M
ID 207479-01

For mounting the MT 101 M
ID 206260-01

mm
Tolerancing ISO 8015
ISO 2768 - m H
≤ 6 mm: ±0.2 mm



Signal converters

The signal converters from HEIDENHAIN adapt the encoder signals to the interface of the subsequent electronics. They are used when the subsequent electronics cannot directly process the output signals from HEIDENHAIN encoders or when additional interpolation of the signals is necessary.

Input signals of the interface electronics
HEIDENHAIN signal converters can be connected to encoders with 1 V_{PP} sinusoidal signals (voltage signals) or 11 μA_{PP} sinusoidal signals (current signals). Encoders with the EnDat or SSI serial interface can be connected to various signal converters as well.

Output signals of the signal converters
The signal converters are available with the following interface to the subsequent electronics.

- TTL square-wave pulse trains
- EnDat 2.2
- DRIVE-CLiQ
- Fanuc Serial Interface
- Mitsubishi high speed interface
- Yaskawa Serial Interface
- Profibus
- Profinet

Interpolation of the sinusoidal input signals

In addition to performing signal conversion, the signal converters also interpolate the sinusoidal encoder signals. This permits finer measuring steps, resulting in higher control quality and superior positioning behavior.

Generation of a position value

Various signal converters feature an integrated counter function. Starting from the last set reference point, an absolute position value is generated and output to the subsequent electronics when the reference mark is crossed.

Box design



Plug design



Version for integration



Top-hat rail design



Outputs		Inputs		Design – Protection class	Interpolation ¹⁾ or subdivision	Model	
Interface	Qty.	Interface	Qty.				
□TTL	1	~ 1 V _{PP}	1	Box design – IP65	5/10-fold	IBV 101	
					20/25/50/100-fold	IBV 102	
					Without interpolation	IBV 600	
				Plug design – IP40	25/50/100/200/400-fold	IBV 660 B	
					Version for integration – IP00	5/10/20/25/50/100-fold	APE 371
						5/10-fold	IDP 181
~ 11 μA _{PP}	1	Box design – IP65	20/25/50/100-fold	5/10-fold	EXE 101		
				20/25/50/100-fold	EXE 102		
			Version for integration – IP00	5-fold	IDP 101		
				2-fold	IBV 6072		
□TTL/ ~ 1 V _{PP} Adjustable	2	~ 1 V _{PP}	1	Box design – IP65	5/10-fold	IBV 6172	
					5/10-fold and 20/25/50/100-fold	IBV 6272	
					≤ 16384-fold subdivision	EIB 192	
EnDat 2.2	1	~ 1 V _{PP}	1	Box design – IP65	≤ 16384-fold subdivision	EIB 192	
				Plug design – IP40	≤ 16384-fold subdivision	EIB 392	
DRIVE-CLiQ	1	EnDat 2.2	1	Box design – IP65	≤ 16384-fold subdivision	EIB 1512	
				Plug design – IP40	≤ 16384-fold subdivision	EIB 392	
Fanuc Serial Interface	1	~ 1 V _{PP}	1	Box design – IP65	≤ 16384-fold subdivision	EIB 2391 S	
				Plug design – IP40	≤ 16384-fold subdivision	EIB 192 F	
Mitsubishi high speed interface	1	~ 1 V _{PP}	1	Box design – IP65	≤ 16384-fold subdivision	EIB 392 F	
				Plug design – IP40	≤ 16384-fold subdivision	EIB 1592 F	
				2	Box design – IP65	≤ 16384-fold subdivision	EIB 192 M
Yaskawa Serial Interface	1	EnDat 2.2 ²⁾	1	Plug design – IP40	≤ 16384-fold subdivision	EIB 392 M	
				2	Box design – IP65	≤ 16384-fold subdivision	EIB 1592 M
PROFIBUS-DP	1	EnDat 2.1; EnDat 2.2	1	Top-hat rail design	–	EIB 3391 Y	
						PROFIBUS Gateway	

¹⁾Switchable

²⁾ Only LIC 4100, measuring step 5 nm; LIC 2100, measuring step 50 nm and 100 nm

Calibration according to DAkkS

The ISO 9001 quality management standard requires quality-relevant inspection equipment to be regularly monitored and traceable to a national standard in concordance with the International System of Units (SI). HEIDENHAIN supports its customers in this with its own calibration lab for digital linear and angle encoders, which has been accredited since 1994.

The **HEIDENHAIN calibration lab** operates in accordance with DIN EN ISO/IEC 17025 and is accredited by the German Accreditation Body (DAkkS). **HEIDENHAIN calibration certificates** granted by the accredited lab document traceability to the International System of Units (SI).

The DAkkS is a signatory to the multilateral agreement of the European co-operation for Accreditation (EA) and to the International Laboratory Accreditation Cooperation (ILAC) for the mutual recognition of calibration certificates. Calibration certificates from HEIDENHAIN are recognized in most industrialized countries.

The calibration certificate from HEIDENHAIN gives the user certainty about the accuracy of the encoder, and also certifies the traceability to the International System of Units (SI) required for ISO 9001.

The calibration lab at HEIDENHAIN is equipped for all **digital linear and angle measuring systems** requiring high accuracy:

- AT, CT, MT, and ST length gauges (including in conjunction with ND 28x, EXE, or IBV subsequent electronics)
- LC, LF, LIDA, LIP, and LS linear encoders
- ECN, ROC, ROD, and RON angle encoders

Length gauges from HEIDENHAIN can be calibrated regardless of their interface. If the measuring chain includes subsequent electronics from HEIDENHAIN, then they can be included in the calibration as well.

The following information can be measured and certified:

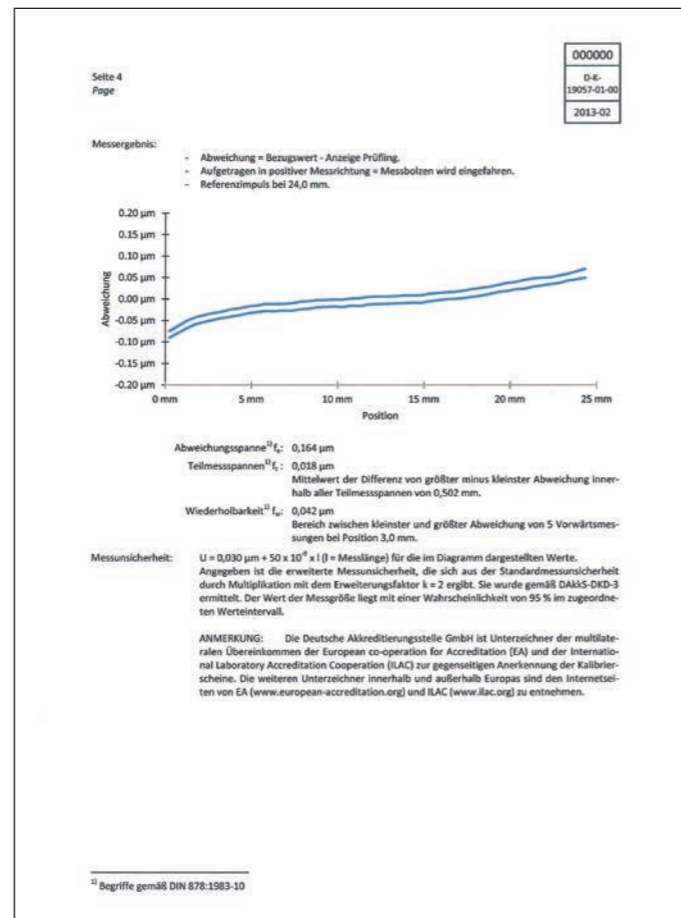
- Error span for plunger retraction
- Error span for a part of the measuring span
- Repeatability with five measurements (extended plunger)



Deutsche
Akkreditierungsstelle
D-K-19057-01-00

Excerpt from a sample calibration certificate

HEIDENHAIN		DR. JOHANNES HEIDENHAIN GmbH Dr.-Johannes-Heidenhain-Straße 5 83301 Traunreut, Germany Tel +49 89 69 31-1157 FAX +49 89 69 32-1157 E-mail: metz@heidenhain.de
akkreditiert durch die / accredited by the Deutsche Akkreditierungsstelle GmbH als Kalibrierlaboratorium im / as calibration laboratory in the Deutschen Kalibrierdienst DKD		
Kalibrierschein Calibration certificate	000000 D-K-19057-01-00 2013-02	Kalibrierzeichen Calibration mark
Gegenstand Object	Inkrementales Längenmessgerät	Dieser Kalibrierschein dokumentiert die Rückführung auf nationale Normale zur Darstellung der Einheiten im Einheitensystem (SI). Die DAkkS ist Unterzeichner der multilateralen Übereinkommen der European co-operation for Accreditation (EA) und der International Laboratory Accreditation Cooperation (ILAC) zur gegenseitigen Anerkennung der Kalibrierzeichen. Für die Einhaltung einer angemessenen Frist zur Wiederholung der Kalibrierung ist der Benutzer verantwortlich. This calibration certificate documents the traceability to national standards, which realize the units of measurement according to the international system of units (SI). The DAkkS is signatory to the multilateral agreements of the European co-operation for Accreditation (EA) and of the International Laboratory Accreditation Cooperation (ILAC) for the mutual recognition of calibration certificates. The user is obliged to have the object recalibrated at appropriate intervals.
Hersteller Manufacturer	HEIDENHAIN	
Typ Type	MT 2581	
Fabrikat/Serien-Nr. Serial number	8547396A	
Auftraggeber Customer	DR. JOHANNES HEIDENHAIN GmbH Dr.-Johannes-Heidenhain-Straße 5 83301 Traunreut	
Auftragsnummer Order No.	intern	
Anzahl der Seiten des Kalibrierscheines Number of pages of the certificate	4	
Datum der Kalibrierung Date of calibration	2013-02-20	
Dieser Kalibrierschein darf nur vollständig und unverändert weitervertrieben werden. Auszüge oder Änderungen bedürfen der Genehmigung sowohl der Deutschen Akkreditierungsstelle GmbH als auch des ausstellenden Kalibrierlaboratoriums. Kalibrierscheine ohne Unterschrift haben keine Gültigkeit. This calibration certificate may not be reproduced other than in full except with the permission of both the Deutsche Akkreditierungsstelle GmbH and the issuing laboratory. Calibration certificates without signature are not valid.		
Datum Date	2013-02-20	Leiter des Kalibrierlaboratoriums Head of the calibration laboratory Gerald Metz
		Beauftragter Person in charge Gerald Metz



Related documents

Related to length gauges



Brochure
Cables and Connectors

Contents:
Technical characteristics, cable overviews, and cable lists



Brochure
Interfaces of HEIDENHAIN Encoders

Contents:
Information on serial interfaces, sinusoidal signals, square-wave signals, and commutation signals



Brochure
Evaluation Electronics For Metrology Applications

Contents:
ND, GAGE-CHEK, EIB, IK



Brochure
Digital Readouts/Linear Encoders For Manually Operated Machine Tools

Contents:
Digital readouts
ND, POSITIP
Linear encoders
LS

Further HEIDENHAIN products



Brochures
TNC 128 Straight-Cut Control
TNC 320 Contouring Control
iTNC 530 Contouring Control
TNC 620 Contouring Control
TNC 640 Contouring Control

Contents:
Information for the user



Brochures
MANUALplus 620 Contouring Control
CNC PILOT 640 Contouring Control

Contents:
Information for the user



Brochure
Encoders for Servo Drives

Contents:
Rotary encoders
Angle encoders
Linear encoders



Brochure
Angle Encoders with Integral Bearing

Contents:
Absolute angle encoders
RCN, ECN
Incremental angle encoders
RON, RPN, ROD



Brochure
Angle Encoder Modules

Contents:
Angle encoder modules
MRP2000, MRP5000, MRP8000
Angle encoder modules with integrated torque motor **SRP5000, AccurET**



Brochure
Modular Angle Encoders with Optical Scanning

Contents:
Incremental angle encoders
ERP, ERO, ERA



Brochure
Touch Probes

Contents:
Tool touch probes
TT
Workpiece touch probes
TS



Brochure
Measuring Devices For Machine Tool Inspection and Acceptance Testing

Contents:
Incremental linear encoders
KGM, VM

HEIDENHAIN

DR. JOHANNES HEIDENHAIN GmbH

Dr.-Johannes-Heidenhain-Straße 5
83301 Traunreut, Germany

☎ +49 8669 31-0

FAX +49 8669 32-5061

E-mail: info@heidenhain.de

www.heidenhain.de

Vollständige und weitere Adressen siehe www.heidenhain.de
For complete and further addresses see www.heidenhain.de

DE	HEIDENHAIN Vertrieb Deutschland 83301 Traunreut, Deutschland ☎ 08669 31-3132 FAX 08669 32-3132 E-Mail: hd@heidenhain.de	DK	Denmark → SE	NZ	Llama ENGINEERING Ltd 5012 Wellington, New Zealand E-mail: info@llamaengineering.co.nz
	HEIDENHAIN Technisches Büro Nord 12681 Berlin, Deutschland ☎ 030 54705-240	ES	FARRESA ELECTRONICA S.A. 08028 Barcelona, Spain www.farresa.es	PH	MACHINEBANKS' CORPORATION Quezon City, Philippines 1113 E-mail: info@machinebanks.com
	HEIDENHAIN Technisches Büro Mitte 07751 Jena, Deutschland ☎ 03641 4728-250	FI	HEIDENHAIN Scandinavia AB 01740 Vantaa, Finland www.heidenhain.fi	PL	APS 02-384 Warszawa, Poland www.heidenhain.pl
	HEIDENHAIN Technisches Büro West 44379 Dortmund, Deutschland ☎ 0231 618083-0	FR	HEIDENHAIN FRANCE sarl 92310 Sèvres, France www.heidenhain.fr	PT	FARRESA ELECTRÓNICA, LDA. 4470 - 177 Maia, Portugal www.farresa.pt
	HEIDENHAIN Technisches Büro Südwest 70771 Leinfelden-Echterdingen, Deutschland ☎ 0711 993395-0	GB	HEIDENHAIN (G.B.) Limited Burgess Hill RH15 9RD, United Kingdom www.heidenhain.co.uk	RO	HEIDENHAIN Reprezentanță Romania Braşov, 500407, Romania www.heidenhain.ro
	HEIDENHAIN Technisches Büro Südost 83301 Traunreut, Deutschland ☎ 08669 31-1337	GR	MB Milionis Vassilis 17341 Athens, Greece www.heidenhain.gr	RS	Serbia → BG
		HR	Croatia → SL	RU	GERTNER Service 119002 Moscow, Russian Federation www.heidenhain.ru
		HU	HEIDENHAIN Kereskedelmi Képviselet 1239 Budapest, Hungary www.heidenhain.hu	SE	HEIDENHAIN Scandinavia AB 12739 Skärholmen, Sweden www.heidenhain.se
AR	NAKASE SRL. B1653AOX Villa Ballester, Argentina www.heidenhain.com.ar	ID	PT Servitama Era Toolsindo Jakarta 13930, Indonesia E-mail: ptset@group.gts.co.id	SG	HEIDENHAIN PACIFIC PTE LTD Singapore 408593 www.heidenhain.com.sg
AT	HEIDENHAIN Techn. Büro Österreich 83301 Traunreut, Germany www.heidenhain.de	IL	NEUMO VARGUS MARKETING LTD. Holon, 5885948, Israel E-mail: neumo@neumo-vargus.co.il	SK	KOPRETINA TN s.r.o. 91101 Trenčin, Slovakia www.kopretina.sk
AU	FCR MOTION TECHNOLOGY PTY LTD Laverton North Victoria 3026, Australia E-mail: sales@fcrmotion.com	IN	HEIDENHAIN Optics & Electronics India Private Limited Chetpet, Chennai 600 031, India www.heidenhain.in	SL	NAVO d.o.o. 2000 Maribor, Slovenia www.heidenhain.si
BE	HEIDENHAIN NV 1760 Roosdaal, Belgium www.heidenhain.be	IT	HEIDENHAIN ITALIANA S.r.l. 20128 Milano, Italy www.heidenhain.it	TH	HEIDENHAIN (THAILAND) LTD Bangkok 10250, Thailand www.heidenhain.co.th
BG	ESD Bulgaria Ltd. Sofia 1172, Bulgaria www.esd.bg	JP	HEIDENHAIN K.K. Tokyo 102-0083, Japan www.heidenhain.co.jp	TR	T&M Mühendislik San. ve Tic. LTD. ŞTİ. 34775 Y. Dudullu – Umraniye-Istanbul, Turkey www.heidenhain.com.tr
BR	HEIDENHAIN Brasil Ltda. 04763-070 – São Paulo – SP, Brazil www.heidenhain.com.br	KR	HEIDENHAIN Korea Ltd. Anyang-si, Gyeonggi-do, 14087 South Korea www.heidenhain.co.kr	TW	HEIDENHAIN CO., LTD. Taichung 40768, Taiwan www.heidenhain.com.tw
BY	GERTNER Service 220026 Minsk, Belarus www.heidenhain.by	MX	HEIDENHAIN CORPORATION MEXICO 20290 Aguascalientes, AGS., Mexico E-mail: info@heidenhain.com	UA	GERTNER Service 02094 Kiev, Ukraine www.heidenhain.ua
CA	HEIDENHAIN CORPORATION Mississauga, Ontario L5T2N2, Canada www.heidenhain.com	MY	ISOSERVE SDN. BHD. 43200 Balakong, Selangor E-mail: sales@isoserve.com.my	US	HEIDENHAIN CORPORATION Schaumburg, IL 60173-5337, USA www.heidenhain.us
CH	HEIDENHAIN (SCHWEIZ) AG 8603 Schwerzenbach, Switzerland www.heidenhain.ch	NL	HEIDENHAIN NEDERLAND B.V. 6716 BM Ede, Netherlands www.heidenhain.nl	VN	AMS Co. Ltd HCM City, Vietnam E-mail: davidgoh@amsvn.com
CN	DR. JOHANNES HEIDENHAIN (CHINA) Co., Ltd. Beijing 101312, China www.heidenhain.com.cn	NO	HEIDENHAIN Scandinavia AB 7300 Orkanger, Norway www.heidenhain.no	ZA	MAFEMA SALES SERVICES C.C. Kyalami 1684, South Africa www.heidenhain.co.za
CZ	HEIDENHAIN s.r.o. 102 00 Praha 10, Czech Republic www.heidenhain.cz				