



F-18 PITAGONE

THE MODULAR ANTI-RAM VEHICLE BARRIERS

- UNIQUE, MOBILE SOLUTION AGAINST RAM VEHICLES
- ULTRA-FAST ASSEMBLY, DOES NOT REQUIRE ANY TOOLS
- LONG LIFE CYCLE, MINIMAL MAINTENANCE
- EASY STORAGE AND TRANSPORT, DELIVERED WITH ITS RACK INCLUDED
- ENERGY AND LATERAL SHOCK ABSORPTION

ANTI-RAM VEHICULE BARRIERS PITAGONE F-18

This unique mobile barrier has been designed to protect crowds of ram vehicles during gatherings of people. the PITAGONE F-18 modular barrier makes it possible to stop a 7.5 tonne truck launched at 48 km / h or a 12 tonne truck launched at 42 km / h.

Made up of compact elements that are easy to store and transport, it takes only 15 minutes to assemble and install and does not require any special tools. It also has a long service life and requires minimal maintenance.

Thanks to its quick and easy assembly, the PITAGONE F-18 modular barrier adapts to all surfaces and terrains (including sidewalks and other gradients).

It can be moved very quickly, in order to clear the way for priority vehicles (ambulances, fire trucks, etc.).

PITAGONE F-18 is the only modular barrier in the world has been doubly certified IWA14 and PAS 68.



THE PITAGONE F-18 MOBILE MODULAR ANTI-ATTACK BARRIER IS UNIQUE. IT HAS BEEN DESIGNED TO PROTECT CROWDS OF RAM VEHICLES DURING GATHERINGS OF PEOPLE.



HEAD-ON-ATTACK



OFFSET ATTACK



SIDE-ON ATTACK (45°)



F-18 PITAGONE

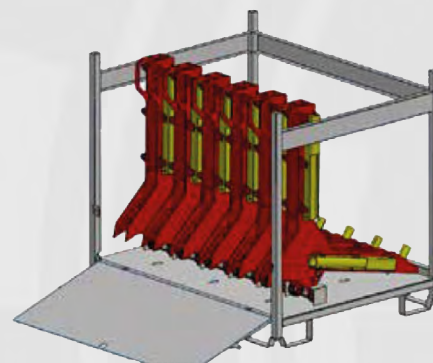
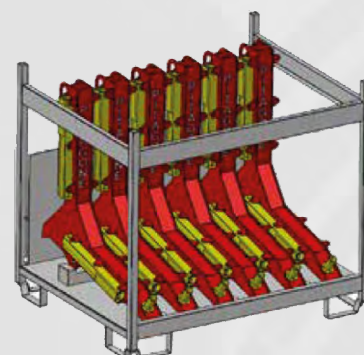



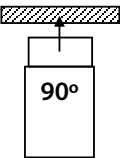
SPECIFICATIONS



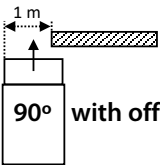
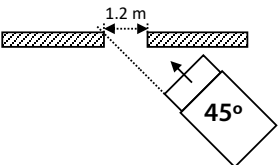
Height	100 cm
Width	9 cm
Depth	104 cm
Total weight	38.5 kg
Distance between the modules	Liaison bars in position 25 : 43.5 cm Liaison bars in position 50 : 68 cm

RACK F-18

- Resistant to the harshest usage conditions
- An operational productivity timesaver
- More efficient use of space in your warehouses
- Significant reduction in transport costs
- Quick and easy to handle
- Prevents: Theft, breakage, loss
- Dimensions : 137 cm x 112 cm x 117 cm



Test designation	Vehicle mass	Test speed	Test angle
N3/N3C	7.5-18T 	48 km/h	90° 

GERMAN CERTIFICATION 		
Test designation	Vehicle mass	Test speed
N3/N3C CP15	12T 	42 km/h
Test angle		
90° with offset 	45° 	

HTDS

Parc d'Activités du Moulin de Massy – 3 rue du Saule Trapu

BP246 - 91882 Massy Cedex France

Tel : +33 (0) 1 64 86 28 28 – Fax : +33 (0) 1 69 07 69 54 – info@htds.fr – www.htds.fr

HTDS Algeria : +213 232 384 01/02

HTDS Morocco : +212 222 749 59

HTDS Egypt : +202 229 053 06

HTDS Lybia : +218 91 69 50 70 8

HTDS Madagascar : +261 34 40 664 72

HTDS Tunisia : +216 70 836 961

