



2016 THE POWER OF DESIGN

JAMIS[®]





Photo: ©Erik Peterson

CONTENTS

MOUNTAIN BIKES	6	ROAD BIKES	46	RECREATION BIKES	98
ENDURO		ADVENTURE		CITIZEN	100
DEFCON	12	RENEGADE	48	HUDSON	104
TRAIL		COMPETITION ROAD		EXPLORER	108
DAKAR XCT	6	XENITH	54	TRAIL XR	110
DRAGON	16	ICON	58	EARTH CRUISER	112
KOMODO	20	CYCLOCROSS		BOSS CRUISER & TAXI	115
PLUS / FAT TIRE		NOVA SERIES	62		
DRAGONSLAYER	23	PERFORMANCE ROAD		YOUTH BIKES	116
ROUGHNECK	23	ENDURA	66	DAKAR X.26	117
XC PERFORMANCE		VENTURA	68	X.26 DISC & X.26	118
DAKAR XCR	24	QUEST	72	X.24 & X.20	119
DAKOTA	28	TOURING & FIXIES		LASER 20" & 16"	120
NEMESIS	32	AURORA	76	CAPRI 24" & 20"	121
XC SPORT		SONIK	78	STARLITE 20" & MISS DAISY 16"	122
DAKAR XC	36	BEATNIK	79	HOT ROD & LADY BUG 12"	123
DURANGO	38	STREET BIKES	80		
TRAIL X	42	COMMUTER	82	GEOMETRY	124
		CODA	86		
		ALLEGRO	90		
		DXT	94		

Please note, the specifications outlined in this catalog are subject to change without notice.

Please visit our website at www.jamisbikes.com for the most up to date details of our bicycles.

All photos ©Scott Markewitz and John Segesta unless otherwise noted.

JAMIS®

MAKE AN IMPACT

Blame it on the economy and the accompanying back to basics mentality. Or praise public awareness of green issues and the value of low-impact lifestyles. But all of a sudden bicycles are a Very Big Deal. Everyday people--folks who haven't been on a bicycle in years, if not decades--have suddenly rediscovered the thrill of cycling. For us, passionate cyclists who strive daily to deliver products that get people of all ages, abilities and aspirations to love bikes and biking just as much as we do, it doesn't get any better than that.

The bicycle is a marvelous invention, with an impact that is almost completely, one hundred percent positive. For individuals (exercise!) as well as for the environment (reduced carbon footprint). A bike is one of the world's most powerful instruments for change. We know because cycling forever changed our lives, and we've seen it change the lives of so many others. That's why we want to make cycling converts out of everyone, and that's why there's a Jamis for nearly every cycling arena, for almost any rider.



It's that passion for cycling and everything cycling can do that fuels and sustains our efforts to build the best possible bikes. It's why we build category-defining superbikes that put professionals atop podiums at road races and mountain bike events. It's why our computers are humming day and night crunching FEA data and carbon fiber lay-up simulations. It's why we devote precious R & D resources to making even our kids bikes and cruisers as light and easy to ride as possible. And why our 2016 lineup is clearly the best we've ever produced.

But we're at this not just to build better bikes. We're in this to build better lives, to make YOU better. That's pretty heavy. It's a lot to carry on two wheels. But that's how powerful a bicycle can be. And that's why we're so committed to building the best bikes possible.

When people ride bikes, good things happen. Experience it yourself, on a Jamis.



MOUNTAIN BIKES





DEFCON

The devil is in the details. This is where the 27.5" wheel size really shines: on a 160mm travel all-mountain enduro machine. Utilizing our proven mp4 suspension for pedaling efficiency, with modern geometry and top-level suspension to tackle bigger hits and aggressive descents at higher speeds. This progressive suspension design delivers plush rear wheel traction while still resisting bottom out. Rear thru-axles, short chainstays and roomy front centers provide stiffness, quick cornering and playful handling. If you want to do it all, fast, this is the bike.





Inferno

DEFCON 1

FRAME

Triple-buttet 6061 air-formed aluminum, 160mm travel mp4 suspension, unitary bell crank linkage Enduro® Max sealed bearings, tapered head tube, 12x142 dropout, Fox Float X Factory Series EVOL rear shock

FORK

Fox 36 Float Factory Series 27.5" with 3-position compression, Open Mode Adjust & Kashima coating, 15mm axle, air spring, rebound adjust, tapered alloy steerer, 160mm travel

WHEELS

Loaded Precision X-Lite X30 27.5" tubeless wheels, 15mm front and 12 x 142mm rear hubs, Vittoria Goma 27.5 x 2.4" front, Morsa 27.5x2.3 " rear TNT tires

DRIVETRAIN

Shimano XT M8000 Shadow Plus, 11-speed rear derailleur, XT M8000 1x11-speed shifter, XT M8000 32T crankset, M8000 11-42T cassette, Shimano Saint M820 hydraulic disc brakes with 180mm RT86 Ice-Technology 6-bolt rotors

COCKPIT

Loaded Precision AMX Riser handlebar, Loaded Precision AMX Trail stem, KS LEV DX, 125mm travel seatpost with handlebar remote, WTB Volt Comp saddle, Jamis Lock-On moto grips



Gloss Black

DEFCON 2

FRAME

Triple-butted 6061 air-formed aluminum, 160mm travel mp4 suspension, unitary bell crank linkage Enduro® Max sealed bearings, tapered head tube, 12x142 dropout, Rock Shox Monarch Plus RC3 Debon Air shock

FORK

Rock Shox Pike RC 27.5", lockout, Charger damper, external rebound, low speed compression adjust & lockout, 15mm axle, 35mm uppers, magnesium lowers, 160mm travel

WHEELS

Loaded Precision X-Lite X30 27.5" tubeless wheels, 15mm front and 12 x 142mm rear hubs, Vittoria Goma 27.5 x 2.4" front, Morsa 27.5x2.3" rear folding tires

DRIVETRAIN

SRAM GX 11-speed rear derailleur, GX 1x11-speed shifter, SRAM S1000 GXP, 32T crankset, SRAM XG-1150 10-42T cassette, SRAM Guide R 4-piston hydraulic brakes with 180mm Centerline rotors

COCKPIT

Loaded Precision X-Trail Riser handlebar & stem, KS Supernatural, 125mm travel seatpost with handlebar remote, WTB Volt Comp saddle, Jamis Lock-On moto grips



Cosmo Blue

DEFCON 3

FRAME

Triple-butted 6061 air-formed aluminum, 160mm travel mp4 suspension, unitary bell crank linkage Enduro® Max sealed bearings, tapered head tube, 12x142 dropout, X-Fusion O2 Pro RLX High Volume shock

FORK

X-Fusion Sweep RL2 27.5", 15mm axle, air spring compression & lockout, rebound adjust, tapered alloy steerer, 34mm uppers, 160mm travel

WHEELS

WTB ST i25 TCS 27.5" tubeless rims, Formula sealed bearing Center Lock hubs, Vittoria Goma 27.5 x 2.4" front, Morsa 27.5x2.3" rear folding tires

DRIVETRAIN

Shimano Deore Shadow Plus rear and Deore front derailleurs, Deore 2x10-speed shifters, Deore M617 36/22T crankset, Shimano HG50 11-36T cassette, Deore M615 hydraulic disc brakes, 180mm RT54 Center Lock rotors

COCKPIT

Loaded Precision X-Trail Riser handlebar & stem, KS eTen, 100mm travel seatpost with handlebar remote, WTB Volt Sport saddle, Jamis Lock-On moto grips

DAKAR XCT

This is the bike that teed it up and kicked it off way back in 2009. After all the nay-saying and "it's not really exactly between 26" and 29", the world is now clearly embracing the 27.5" wheel. And there's no better place to start the group hug than on the rig that believed from the beginning and now has over 7 years of development and real-world riding and refinement to ensure it IS Best in Class.





Gloss Carbon



Available as frameset

DAKAR XCT TEAM

FRAME

High Modulus Omniad Elite M30 carbon fiber, 130mm travel mp4 suspension, Press Fit 30 bottom bracket, 12 x 142 dropouts, tapered head tube, Enduro® Max Black Oxide sealed bearing pivots, Rock Shox Monarch RT3 High Volume shock

FORK

Rock Shox Revelation RCT3 27.5" with 3-position compression adjust (open/platform/lock), 15mm axle, tapered alloy steerer, external rebound adjust, 130mm travel

WHEELS

Stan's NoTubes ZTR Arch EX Team 27.5 tubeless wheelset, 3.30 Series 15mm thru-axle front and 12x142mm rear hubs, Sapim Custom Force spokes, Vittoria Goma 27.5 x 2.25 TNT tires

DRIVETRAIN

SRAM X01 Carbon, 11-speed rear derailleur, X01 1x11-speed shifter, X01 Direct Mount 32T crankset, SRAM XG-1180 10-42T cassette, SRAM Guide Ultimate Carbon 4-piston hydraulic disc brakes, 180mm front & 160mm rear Centerline X 6-bolt rotors

COCKPIT

Ritchey Trail WCS Carbon handlebars, Ritchey Trail WCS stem, KS LEV Integra, 125mm travel seatpost with handlebar remote, WTB Volt Race saddle, Jamis Lock-On rear Centerline X 6-bolt rotor



Ano Palladium

DAKAR XCT PRO

FRAME

Triple-butted 6061 alloy, 130mm travel mp4 suspension, 12 x 142mm dropouts, tapered head tube, Enduro® Max sealed bearings, Fox Float DPS Factory Series EVOL shock

FORK

Fox 34 Float Factory Series 27.5" with 3-position compression, Open Mode Adjust & Kashima coating, 15mm axle, air spring, rebound adjust, tapered alloy steerer, 130mm travel

WHEELS

Stan's NoTubes ZTR Arch EX Team tubeless wheels, 330 Series 15mm axle front and 12 x 142mm rear hubs, Sapim Custom Force spokes, Vittoria Goma, 27.5 x 2.25", folding tires

DRIVETRAIN

Shimano XT M8000, Shadow Plus rear and XT front derailleurs, XT M8000 2x11-speed shifters, XT M8000, 36/26T crankset, M8000, 11-40T cassette, XT M8000 hydraulic brakes, 180mm front/160mm rear RT86 Ice-Technology 6-bolt rotors

COCKPIT

Ritchey Trail WCS handlebar & stem, KS LEV DX, 125mm travel seatpost with handlebar remote, WTB Volt Comp saddle, Jamis Lock-On moto grips

DAKAR XCT RACE

FRAME

High Modulus Dyad Elite carbon fiber, 130mm travel mp4 suspension, Press Fit 30 bottom bracket, 12 x 142 rear dropouts, tapered head tube, Enduro® Max Black Oxide sealed bearings, Rock Shox Monarch RL High Volume shock

FORK

Rock Shox Recon Silver, Solo Air spring compression, lever actuated lockout, 15mm axle, tapered alloy steerer, external rebound adjust, 130mm travel

WHEELS

WTB ST i23 TCS 27.5" tubeless rims, 32H, eyeleted, with Formula sealed bearing 15mm front and 12 x 142mm, 39T drive, 6-bolt disc hubs, stainless spokes, Vittoria Goma, 27.5 x 2.25", folding tires

DRIVETRAIN

SRAM GX, 11-speed rear derailleur, GX 1x11-speed shifter, SRAM S1000 PressFit 30, 32T crankset, SRAM XG-1150, 10-42T cassette, SRAM DB5 hydraulic brakes, 180mm front & 160mm rear Centerline rotors

COCKPIT

Ritchey Trail handlebar & stem, KS Crux Integra, 100mm travel seatpost with handlebar remote, WTB Volt Comp saddle, Jamis Lock-On moto grips



Gloss Carbon

DAKAR XCT COMP

FRAME

Triple-butted 6061 alloy, 130mm travel mp4 suspension, 12 x 142mm dropouts, tapered head tube, Enduro® Max sealed bearings, X-Fusion O2 Pro RL high volume shock

FORK

X-Fusion Streat RL2 with 15mm axle, 32mm stanchions, air spring compression, rebound & lockout adjust, magnesium lower legs, 130mm travel

WHEELS

WTB ST i23 TCS 27.5" tubeless rims, 32H, Formula sealed bearing 15mm front and 12 x 142mm rear 6-bolt disc hubs, stainless spokes, Vittoria Goma, 27.5 x 2.25", folding tires

DRIVETRAIN

Shimano Deore Shadow Plus rear and Deore front derailleurs, Deore 2x10-speed shifters, Deore M617 36/22T crankset, Shimano HG50 11-36T cassette, Shimano M396 hydraulic brakes, 180mm front & 160mm rear RT56 rotors

COCKPIT

Ritchey Trail handlebar & stem, KS eTen 100mm travel seatpost with handlebar remote, WTB Volt Sport saddle, Jamis Lock-On moto grips



Ano Black

DRAGON

We wrote the book on off-road steel. Over 30 years of it. These Dragons might look like retro rigs, but there's nothing outdated or outmoded about the way these bikes ride with 120mm travel forks from Fox and Rock Shox. The Dragon frame gives as much as it gets: the harder you push it, the better it feels.





Teal Fo' Real

DRAGON PRO

FRAME

Reynolds 853 DZB seamless air-hardened steel, 44mm head tube, 31.6 I.D. seat tube, dropper post routing, ISCG05, sliding 12 x 142mm dropouts

FORK

Fox 32 Float Performance Series 27.5" with 3-position compression & lockout, 15mm axle, air spring compression, rebound adjust, tapered alloy steerer, 120mm travel

WHEELS

WTB KOM i23 TCS 27.5" tubeless rims, 32H, Formula sealed bearing 15mm front and 12 x 142mm rear Center Lock disc hubs, stainless spokes, Vittoria Barzo, 27.5 x 2.25", folding tires

DRIVETRAIN

Shimano XT Shadow Plus rear and Deore front derailleurs, XT 2x10-speed shifters, Shimano M627 38/24T crankset, Shimano HG81 11-36T cassette, Shimano SLX M675 hydraulic brakes, 180mm front & 160mm rear RT68 Center Lock rotors

COCKPIT

Ritchey Trail handlebar & stem, KS eTen 100mm travel seatpost with handlebar remote, WTB Volt Comp saddle, Jamis Lock-On moto grips



Dark Shadow

DRAGON SPORT

FRAME

Reynolds 520 steel, 44mm head tube, dropper post routing, ISCG05, gusseted down tube, forged dropouts

FORK

Rock Shox 30 Silver TK 27.5", Solo Air spring, external rebound, TurnKey lockout, 30mm stanchions, aluminum steerer, 120mm travel

WHEELS

WTB ST i23 TCS 27.5" tubeless rims, Formula sealed bearing Center Lock disc hubs, stainless spokes, Vittoria Barzo, 27.5 x 2.25", folding tires

DRIVETRAIN

Shimano SLX Shadow rear and Deore front derailleurs, Deore, 2x10-speed shifters, Deore M617 38/24T crankset, Shimano HG50 11-36T cassette, Shimano M396 hydraulic disc brakes, 180mm front & 160mm rear RT30 Center Lock rotors

COCKPIT

Ritchey Trail handlebar, stem & seatpost, WTB Volt Sport saddle, Jamis Lock-On moto grips



Commando

DRAGON 29 SPORT

FRAME

Reynolds 520 steel, 44mm head tube, dropper post routing, gusseted down tube, forged dropouts

FORK

Rock Shox Recon Silver TK, Solo Air spring, external rebound, TurnKey lockout adjust, 32mm stanchions, tapered aluminum steerer, 120mm travel

WHEELS

WTB ST i23 TCS 29" tubeless rims, Formula Center Lock disc hubs, stainless spokes, Vittoria Barzo, 29 x 2.25", folding tires

DRIVETRAIN

Shimano SLX Shadow rear and Deore front derailleurs, Deore 2x10-speed shifters, Deore M617 38/24T crankset, Shimano HG50 11-36T cassette, Shimano M396 hydraulic disc brakes, 180mm front & 160mm rear RT30 Center Lock rotors

COCKPIT

Ritchey Trail handlebar, stem & seatpost, WTB Volt Sport saddle, Jamis Lock-On moto grips

KOMODO

If you thrive on connection to the trail, if you live for the flow of a screaming descent -- Komodo will take you there without the added weight and complexity of dual suspension. This is an all-the-time trail hardtail with slack head angles plus 5" of fork travel for high-speed handling, robust frame tubes and thru-axles for big landing durability, and 27.5" wheels for smooth roll-over and agility.



KOMODO PRO

FRAME

Triple-buttet 6061 air-formed (SPF) aluminum, tapered head tube, post mount disc brakes & 12 x 142mm dropout, ISCG05, dropper post routing

FORK

Fox 32 Float Performance Series 27.5" with 3-position compression & lockout, 15mm axle, air spring compression, rebound adjust, tapered alloy steerer, 120mm travel

WHEELS

WTB ST i23 TCS 27.5" tubeless rims, Formula sealed bearing Center Lock disc hubs, stainless spokes, Vittoria Barzo, 27.5 x 2.25", folding tires

DRIVETRAIN

Shimano SLX Shadow rear and Deore front derailleurs, SLX 2x10-speed shifters, Shimano M627, 38/24T, crankset, Shimano HG50 11-36T cassette, Shimano Deore M506 hydraulic disc brakes, 180mm front & 160mm rear RT54 Center Lock rotors

COCKPIT

Ritchey Trail handlebar & stem, KS eTen 100mm travel seatpost with handlebar remote, WTB Volt Comp saddle, Jamis Lock-On moto grips



Commando

KOMODO COMP

FRAME

Triple-buttet 6061 air-formed (SPF) aluminum, tapered head tube, post mount disc brakes & 12 x 142mm dropout, ISCG05, dropper post routing

FORK

Rock Shox Recon Silver TK 27.5", coil spring, external rebound, TurnKey lockout, 32mm stanchions, aluminum steerer, 120mm travel

WHEELS

WTB Speed Disc i23 27.5" rims, Formula alloy sealed bearing Center Lock disc hubs, stainless spokes, Vittoria Barzo 27.5 x 2.25" tires

DRIVETRAIN

Shimano Deore Shadow rear and Alivio front derailleurs, Alivio M4000, 3x9-speed shifters, Shimano M4000 Octalink 40/30/22T crankset, Shimano HG-20 11-34T cassette, Shimano M396 hydraulic disc brakes, 180mm front & 160mm rear RT30 Center Lock rotors

COCKPIT

Ritchey Trail handlebar, stem & seatpost, WTB Volt Sport saddle, Jamis Lock-On moto grips



Ano Black

PLUS/FAT TIRE

Slay all terrain. Combine big wheel roll-over-everything capability with the traction of 3" tires, steel's trail-taming ride, short chainstays and slack trail geometry and it's big grinnin' all day. Ample tire clearance, rack mount eyelets, triple water bottle mounts, dropper post routing, full length cable housing and sliding dropouts add to the versatility for adventure and bikepacking. Load up, spin the cranks and leave the world behind.



DRAGONSLAYER

FRAME

Wei Hai Endo Superlight 4130 triple-butted chromoly steel, 44mm head tube, 31.6 I.D. seat tube, dropper post routing, sliding 12x148mm dropouts

FORK

Fox 34 Float Performance Series 27.5" with 3-position compression & lockout, air spring compression, rebound adjust, tapered alloy steerer, 15 x 110mm axle, 120mm travel

WHEELS

WTB Scrapper i45 TCS 27.5" tubeless rims, Formula sealed bearing Center Lock disc hubs, 15x110mm front, 12x148mm rear, stainless spokes, Vittoria Bomboloni, 27.5 x 3", TNT tires

DRIVETRAIN

Shimano SLX Shadow Plus rear and Deore front derailleurs, SLX 2x10 shifters, Shimano M627 36/22T outboard crankset, Shimano HG81 11-36T cassette, Deore M506 hydraulic brakes, 180mm front & 160mm rear RT54 rotors

COCKPIT

Ritchey Trail handlebar, stem & seatpost, WTB Volt Comp saddle, Jamis Lock-On moto grips



Winter Dusk

ROUGHNECK

FRAME

Triple-butted 6061 air-formed aluminum, tapered head tube, 12x197mm rear hub spacing, post mount disc brakes, 100mm bottom bracket shell, rack mounts, internal cable routing, dropper seat post routing

FORK

Triple-butted 6061 air-formed aluminum, suspension corrected, tapered steerer, 15x150mm hub spacing, post-mount disc, rack/bottle mounts

WHEELS

Sun Ringle MuleFut 80 Comp, STR Tubeless Ready, 15x150 Front hub, 12x197 Rear hub, WheelSmith spokes, Brass nipples, Kenda Juggernaut Sport, 26 x 4.5", 60 tpi, folding tires

DRIVETRAIN

Shimano Deore Shadow rear and Deore front derailleurs, Deore 2x10 shifters, FSA Comet MegaExo 36/22T crankset, Shimano HG50 11-36T cassette, TRP Spyke 2-piston Mechanical brakes, 180mm front & 160mm rear 6-bolt rotors

COCKPIT

Ritchey Trail handlebar, stem & seatpost, WTB Volt Sport saddle, Jamis Lock-On moto grips



Jack Pine

DAKAR XCR

Bigger wheels roll easier over stuff and nothing soaks up more trail with more efficiency than our XCR's. The XCR 29's tapered head tube and steerer, 15mm thru-axle fork, 12 x 142mm thru-axle rear, asymmetrical stays and over-sized BB shell all contribute to a firm, responsive pedaling platform that doesn't waste a watt of climbing energy or hold you back when the going's fast.





Gloss Carbon

DAKAR XCR TEAM



Available as frameset

FRAME

High Modulus Omniad Elite M30 carbon fiber, 100mm travel mp4 suspension, 12 x 142 rear thru-axle dropouts, Enduro® Max Black Oxide sealed bearings, Rock Shox Monarch XX shock with Full Sprint hydraulic Xloc remote lockout

FORK

Rock Shox SID XX 29" with 15mm axle, tapered alloy steerer, external rebound, lockout via hydraulic Full Sprint Xloc remote, Solo Air spring, motion control damping, 32mm stanchions, magnesium lowers, 100mm travel

WHEELS

Stan's NoTubes ZTR Crest Team 29" tubeless disc wheels, 3.30 Series 32H 15mm axle front and 12 x 142mm rear hubs, Sapim Custom Force spokes, Vittoria Barzo, 29 x 2.1", TNT tires

DRIVETRAIN

SRAM X01 Carbon rear derailleur, X01 11-speed shifter, X01 PressFit 30 Direct Mount 32T crankset, SRAM XG-1180 10-42T cassette, SRAM X0 Carbon hydraulic disc brakes, 180mm front & 160mm rear Centerline X 6-bolt rotors

COCKPIT

Ritchey WCS Carbon 2X handlebar, Ritchey WCS C-220 stem, WCS 1-bolt carbon seatpost & WTB Volt Race saddle, Jamis Lock-On moto grips



Gloss Carbon

DAKAR XCR PRO

FRAME

High Modulus Dyad Elite carbon fiber, 100mm travel mp4 suspension, 12 x 142 rear thru-axle dropouts, Enduro® Max Black Oxide sealed bearings, Fox Float DPS Performance Series shock

FORK

Fox 32 Float Performance Series 29" with 3-position compression, 15mm axle, tapered alloy steerer, external rebound, 32mm stanchions, 100mm travel

WHEELS

WTB ST i19 TCS 29" tubeless rims with Formula sealed bearing 6-bolt 15mm front & 12 x 142mm 39T drive rear hub, stainless spokes, Vittoria Barzo, 29 x 2.1", folding tires

DRIVETRAIN

SRAM GX, 11-speed rear derailleur, GX 1x11-speed shifter, SRAM S1000 PressFit 30 32T crankset, SRAM XG-1150 10-42T cassette, SRAM DB5 hydraulic disc brakes, 180mm front & 160mm rear Centerline 6-bolt rotors

COCKPIT

Ritchey Comp 2X handlebar, Ritchey Comp 4-Axis stem, Ritchey Comp 2-bolt seatpost, WTB Volt Comp saddle, Jamis Lock-On moto grips

DAKAR XCR COMP

FRAME

Triple-butted 6061 alloy, 12 x 142 rear dropouts, 100mm travel mp4 suspension, tapered head tube, Enduro® Max sealed bearings, X-Fusion O2 Pro RL shock with rebound adjust and lockout

FORK

X-Fusion Slide RL2 29" with 15mm axle, lever actuated lockout, air spring compression, rebound adjust, tapered alloy steerer, 100mm travel

WHEELS

DT Swiss X 1900 Spline 29" tubeless wheels, 15mm front, 12 x 142mm rear, Vittoria Barzo, 29 x 2.1", folding tires

DRIVETRAIN

Shimano SLX rear and front derailleurs, SLX 2x10-speed shifters, Shimano M627 36/22T crankset, Shimano HG50 11-36T cassette, Shimano SLX M675 hydraulic disc brakes, 180mm front & 160mm rear RT68 Center Lock rotors

COCKPIT

Ritchey Comp 2X handlebar, Ritchey Comp 4-Axis stem, Ritchey Comp 2-bolt seatpost, WTB Volt Comp saddle, Jamis Lock-On moto grips



Winter Dusk

DAKAR XCR SPORT

FRAME

Triple-butted 6061 alloy, 12 x 142 rear dropouts, 100mm travel mp4 suspension, tapered head tube, Enduro® Max sealed bearings, Rock Shox Monarch R shock with rebound adjust

FORK

Rock Shox Recon Silver TK 29" Solo Air, 15mm axle, lever actuated lockout, air spring compression, rebound adjust, tapered alloy steerer, 100mm travel

WHEELS

WTB SX19 rims, 32H, Formula 6-bolt sealed bearing hubs, stainless spokes, Vittoria Barzo, 29 x 2.1" tires

DRIVETRAIN

Shimano Deore rear and front derailleurs, Deore, 2x10-speed shifters, Deore M617 36/22T crankset, Shimano HG50 11-36T cassette, Shimano M396 hydraulic disc brakes, 180mm front & 160mm rear RT56 6-bolt rotors

COCKPIT

Ritchey Comp 2X handlebar, Ritchey Comp 4-Axis stem, Ritchey Comp 2-bolt seatpost, WTB Volt Sport saddle, Jamis Lock-On moto grips



Gloss Black

DAKOTA

The Dakota series is the hardtail standard for high-speed racing or long, epic days on the trail. For the Team, Pro and Race, we've taken our years of experience manufacturing carbon fiber Dakar XCR dual suspension frames and Xenith road racing frames and applied it to the big-wheeled world of 29'ers. For the Comp and Sport, it's the same race-inspired geo welded up from triple-butted 6061.





Gloss Carbon



Available as frameset

DAKOTA TEAM

FRAME

High Modulus Dyad Supreme carbon fiber, tapered head tube, PressFit30 BB shell, post mount disc brakes & 12 x 142 dropouts

FORK

Rock Shox SID XX World Cup 29", 15mm Maxle Lite, carbon tapered steerer & crown, Motion Control damping, remote hydraulic lockout, external rebound, 32mm stanchions, magnesium lowers, 100mm travel

WHEELS

Stan's NoTubes ZTR Crest Team 29" tubeless disc wheels, 3.30 Series 32H 15mm axle front and 12 x 142mm rear hubs, Sapim Custom Force spokes, Vittoria Pycote, 29 x 2.1", TNT tires

DRIVETRAIN

SRAM XX1 rear derailleur, XX1 1x11-speed shifter, XX1 PressFit 30 Direct Mount 32T crankset, SRAM XG-1195 10-42T cassette, SRAM XX hydraulic disc brakes, 160mm front & 140mm rear Centerline X rotors

COCKPIT

Ritchey WCS Carbon 2x handlebar, Ritchey WCS C-220 stem, Ritchey WCS Carbon 1-bolt seatpost, WTB Volt Race saddle, Jamis Lock-On moto grips

DAKOTA PRO

FRAME

Mid Modulus Dyad Plus carbon fiber, tapered head tube, PressFit30 BB shell, post mount disc brakes & 12 x 142 dropouts

FORK

Fox 32 Float Performance Series 29" with 3-position compression & lockout, 15mm axle, air spring compression, rebound adjust, tapered alloy steerer, 100mm travel

WHEELS

DT Swiss X-1900 Spline 29" tubeless wheels, 15mm front, 12 x 142mm rear, Vittoria Peyote, 29 x 2.1", folding tires

DRIVETRAIN

SRAM GX rear derailleur, GX 1x11-speed shifter, SRAM S1000 PressFit 30 32T crankset, SRAM XG-1150 10-42T cassette, SRAM DB5 hydraulic disc brakes, 180mm front & 160mm rear Centerline rotors

COCKPIT

Ritchey Comp 2X handlebar, Ritchey Comp 4-Axis stem, Ritchey Comp 2-bolt seatpost, WTB Volt Comp saddle, Jamis Lock-On moto grips



Gloss Carbon

DAKOTA RACE

FRAME

Mid Modulus Dyad Plus carbon fiber, tapered head tube, PressFit30 BB shell, post mount disc brakes & 12 x 142 dropouts

FORK

Rock Shox Recon Silver TK, Solo Air spring compression, lever actuated lockout, 15mm axle, tapered steerer, external rebound adjust, 100mm travel

WHEELS

WTB ST i19 TCS 29" tubeless rims, Formula sealed bearing 6-bolt hubs, stainless spokes, Vittoria Peyote, 29 x 2.1", folding tires

DRIVETRAIN

Shimano Deore shadow rear and Deore front derailleurs, Deore 2x10-speed shifters, Deore M617 38/24T crankset, Shimano HG50 11-36T cassette, Deore M506 hydraulic disc brakes, 180mm front & 160mm rear RT56 6-bolt rotors

COCKPIT

Ritchey Comp 2X handlebar, Ritchey 4-Axis stem, Ritchey 2-bolt seatpost, WTB Volt Sport saddle, Jamis Lock-On moto grips



Gloss Carbon

DAKOTA COMP

FRAME

Triple-butted 6061 aluminum main tubes, tapered head tube, replaceable derailleur hanger

FORK

Rock Shox Recon Silver TK, Solo Air spring, external rebound, TurnKey lockout adjust, 32mm stanchions, tapered aluminum steerer, 100mm travel

WHEELS

WTB Speed Disc i19 29" rims, Formula alloy Center Lock disc hubs, stainless spokes, Vittoria Peyote, 29 x 2.1" tires

DRIVETRAIN

Shimano Deore Shadow rear and Deore front derailleurs, Deore 2x10-speed shifters, Deore M617 38/24T crankset, Shimano HG50 11-36T cassette, Deore M506 hydraulic brakes, 180mm front & 160mm rear RT54 Center Lock rotors

COCKPIT

Ritchey Comp 2X handlebar, Ritchey 4-Axis stem, Ritchey 2-bolt seatpost, WTB Volt Sport saddle, Jamis moto grips



Gloss Black

DAKOTA SPORT

FRAME

Triple-butted 6061 aluminum main tubes, tapered head tube, replaceable derailleur hanger

FORK

Rock Shox XC30 TK, Coil spring, external rebound, TurnKey lockout adjust, 30mm stanchions, tapered aluminum steerer, 100mm travel

WHEELS

WTB Speed Disc i19 29" rims, Formula alloy Center Lock disc hubs, stainless spokes, Vittoria Peyote, 29 x 2.1" tires

DRIVETRAIN

Shimano Deore Shadow rear and Alivio front derailleurs, Alivio M4000 3x9-speed shifters, Shimano M4000 40/30/22T crankset, Shimano HG20 11-34T cassette, Shimano M355 hydraulic disc brakes, 180mm front & 160mm rear RT30 Center Lock rotors

COCKPIT

Ritchey Comp 2X handlebar, Ritchey 4-Axis stem, Ritchey 2-bolt seatpost, WTB Volt Sport saddle, Jamis moto grips



Gloss Black

NEMESIS

Want a bike more capable than you are? This is the one. Nemesis is the perfect XC race weapon or 12-hour marathon bike. The 27.5" wheel size is not a compromise between 26" or 29": it's the best of both worlds. It rails singletrack, sticks to the trail on descents and climbs, excels on hardpack and in loose stuff, floats over trail chatter, you name it. It's the bike you never knew you always wanted. Available in 5 models for 2016 - 3 carbon fiber and 2 alloy.





Gloss Carbon



Available as frameset

NEMESIS TEAM

FRAME

High Modulus Dyad Supreme carbon fiber, tapered head tube, PressFit30 BB shell, post mount disc brakes & 12 x 142mm dropout

FORK

Rock Shox SID XX World Cup 27.5", 15mm Maxle Lite, carbon tapered steerer & crown, Motion Control damping, remote hydraulic Xloc lockout, External rebound, 100mm travel

WHEELS

Stan's NoTubes ZTR Crest Team 27.5" tubeless disc wheels, 3.30 Series 32H 15mm axle front and 12 x 142mm rear hubs, Sapim Custom Force spokes, Vittoria Peyote, 27.5 x 2.1", TNT tires

DRIVETRAIN

SRAM XX1 rear derailleur, XX1 1x11-speed shifter, XX1 PressFit 30 Direct Mount 32T crankset, SRAM XG-1195 10-42T cassette, SRAM XX hydraulic disc brakes, 160mm front & 140mm rear Centerline X rotors

COCKPIT

Ritchey WCS Carbon handlebar, Ritchey WCS C-220 stem, Ritchey WCS Carbon 1-bolt seatpost, WTB Volt Race saddle, Jamis Lock-On moto grips

NEMESIS PRO

FRAME

Mid Modulus Dyad Plus carbon fiber, tapered head tube, PressFit30 BB shell, post mount disc brakes & 12 x 142mm dropouts

FORK

Fox 32 Float Performance Series 27.5" with 3-position compression & lockout, 15mm axle, air spring compression, rebound adjust, tapered alloy steerer, 100mm travel

WHEELS

DT Swiss X-1900 Spline 29" tubeless wheels, 15mm front, 12 x 142mm rear, Vittoria Peyote, 27.5 x 2.1", folding tires

DRIVETRAIN

SRAM GX rear derailleur, GX 1x11-speed shifter, SRAM S1000 PressFit 30 32T crankset, SRAM XG-1150 10-42T cassette, SRAM DB5 hydraulic disc, 160mm Centerline 6-bolt rotors

COCKPIT

Ritchey Comp handlebar, Ritchey Comp 4-Axis stem, Ritchey Comp 2-bolt seatpost, WTB Volt Comp saddle, Jamis Lock-On moto grips



Gloss Carbon

NEMESIS RACE

FRAME

Mid Modulus Dyad Plus carbon fiber, tapered head tube, PressFit30 BB shell, post mount disc brakes & 12 x 142 dropouts

FORK

Rock Shox Recon Silver TK 27.5", Solo Air spring compression, lever actuated lockout, 15mm axle, tapered steerer, external rebound adjust, 100mm travel

WHEELS

WTB ST i19 TCS 27.5" tubeless rims, Formula sealed bearing 6-bolt hubs, stainless spokes, Vittoria Peyote, 27.5 x 2.1", folding tires

DRIVETRAIN

Shimano Deore shadow rear and Deore front derailleurs, Deore 2x10-speed shifters, Deore M617 38/24T crankset, Shimano HG50 11-36T cassette, Shimano Deore M506 hydraulic disc, 160mm RT56 6-bolt rotors

COCKPIT

Ritchey Comp handlebar, Ritchey 4-Axis stem, Ritchey 2-bolt seatpost, WTB Volt Sport saddle, Jamis Lock-On moto grips



Gloss Carbon

NEMESIS COMP

FRAME

Triple-butted 6061 air-formed aluminum, tapered head tube, post mount disc brakes, replaceable derailleur hanger

FORK

Rock Shox Recon Silver TK 27.5", solo air spring, external rebound, TurnKey lockout, 32mm stanchions, tapered aluminum steerer, 100mm travel

WHEELS

WTB Speed Disc i19 27.5" rims, Formula alloy Center Lock disc hubs, stainless spokes, Vittoria Peyote, 27.5 x 2.1" tires

DRIVETRAIN

Shimano Deore Shadow rear and Deore front derailleurs, Deore 2x10-speed shifters, Deore M617 38/24T crankset, Shimano HG50 11-36T cassette, Shimano M506 hydraulic disc, 160mm RT54 Center Lock rotors

COCKPIT

Ritchey Comp handlebar, Ritchey 4-Axis stem, Ritchey 2-bolt seatpost, WTB Volt Sport saddle, Jamis moto grips



Gloss Black

NEMESIS SPORT

FRAME

Triple-butted 6061 air-formed aluminum, tapered head tube, post mount disc brakes, replaceable derailleur hanger

FORK

Rock Shox XC30 TK 27.5", coil spring, external rebound, TurnKey lockout, 30mm stanchions, aluminum steerer, 100mm travel

WHEELS

WTB Speed Disc i19 27.5" rims, Formula alloy Center Lock disc hubs, stainless spokes, Vittoria Peyote, 27.5 x 2.1" tires

DRIVETRAIN

Shimano Deore Shadow rear and Alivio front derailleurs, Alivio M4000 3x9-speed shifters, Shimano M4000 40/30/22T crankset, Shimano HG20 11-34T cassette, Shimano M355 hydraulic disc, 160mm RT30 Center Lock rotors

COCKPIT

Ritchey Comp handlebar, Ritchey 4-Axis stem, Ritchey 2-bolt seatpost, WTB Volt Sport saddle, Jamis moto grips



Gloss Black

DAKAR[®] XC

Full suspension and larger diameter wheels and tires open up a whole new world of speed, roll-over capabilities and control off-road. Modernized with 27.5" hoops in 2015, this is the frame platform that's won us numerous industry accolades and Bike of the Year awards since we first introduced our Dakar dualies back in 1994. The suspension system is time and race proven and very similar to the design of our mp4 XCR's, with performance not that far removed from XCR-level.





Gloss Black

DAKAR® XC

FRAME

6061 aluminum tubes with tapered head tube, fully-active/mp2 suspension with 90mm rear travel, Rock Shox Monarch R air shock with rebound damping, replaceable derailleur hanger

FORK

Rock Shox XC30 TK 27.5", Coil spring, external rebound, TurnKey lockout, 30mm stanchions, 100mm travel

WHEELS

WTB Speed Disc i19 27.5" rims, 32H, Formula alloy Center Lock disc hubs, stainless spokes, Vittoria Peyote, 27.5 x 2.1" tires

DRIVETRAIN

Shimano Alivio M4000 rear and Shimano M371 front derailleurs, Acera 3x9-speedshifters, Acera M3000, 40/30/22T crankset, Shimano HG20 11-34T cassette, Shimano M355 hydraulic disc brakes, RT30 Center Lock 160mm rotors

COCKPIT

Ritchey handlebar, Ritchey 4-Axis stem, Ritchey 2-bolt seatpost, WTB Volt Sport saddle, Jamis Lock-On moto grips

DURANGO

These may be the most affordable 29'er in our stable, but there's nothing entry-level about the performance of these bikes. We've taken the frame styling of our popular Trail X-series bikes and married it to our proven Dakota 29 geo. Best-in-Class performance and Big Hoops doesn't have to mean Big Bucks and the Durango Expert, Comp and Sport prove it.





Gloss Black

DURANGO EXPERT

FRAME

6061 aluminum main tubes, oversized seat tube, zero-stack head tube, oversized stays, replaceable derailleur hanger

FORK

RST Omega TNL 29", coil spring with Turn-n-Lock hydraulic lockout, external preload adjuster, 32mm stanchions, magnesium lowers, 100mm travel

WHEELS

Alex TD26 29" rims, 32H, alloy 6-bolt disc hubs, stainless spokes, Kenda Kadre, 29 x 2.1" tires

DRIVETRAIN

Shimano Acera rear and Acera front derailleurs, Acera 3x9-speed shifters, Shimano M3000 40/30/22T crankset, Shimano HG20 11-34T cassette, Tektro Auriga hydraulic disc brakes, 160mm rotors

COCKPIT

Jamis XC flat handlebar, Jamis XC alloy threadless stem, Jamis alloy micro-adjust seatpost, Jamis ATB Sport saddle, Jamis Kraton grips



Slime Green

DURANGO COMP

FRAME

6061 aluminum main tubes, oversized seat tube, zero-stack head tube, oversized stays, replaceable derailleur hanger

FORK

RST Blaze TNL 29", coil spring with Turn-n-Lock hydraulic lockout, external preload adjuster, 30mm stanchions, aluminum lowers, 100mm travel

WHEELS

Alex TD26 29" rims, 32H, alloy 6-bolt disc hubs, stainless spokes, Kenda Kadre, 29 x 2.1" tires

DRIVETRAIN

Shimano Acera rear and M190 front derailleurs, Shimano M310 3x8-speed shifters, Shimano TY701 42/34/24T crankset, Shimano HG20 12-32T cassette, Tektro Auriga hydraulic disc brakes, 160mm rotors

COCKPIT

Jamis XC flat handlebar, Jamis XC alloy threadless stem, Jamis alloy micro-adjust seatpost, Jamis ATB Sport saddle, Jamis Kraton grips

DURANGO SPORT

FRAME

6061 aluminum main tubes, over-sized seat tube, zero-stack head tube, oversized stays, replaceable derailleur hanger

FORK

RST Blaze ML 29", coil spring with mechanical lockout, external preload adjustor, 30mm stanchions, aluminum lowers, 100mm travel

WHEELS

Alex TD26 29" rims, 32H, alloy 6-bolt disc hubs, stainless spokes, Kenda Kadre, 29 x 2.1" tires

DRIVETRAIN

Shimano TX800 rear and M190 front derailleurs, Shimano EF51, EZ-Fire Plus, 3x8-speed shifters, SR Suntour XCC-T102 42/34/24T crankset, Shimano HG20 12-32T cassette, Tektro M280 mechanical disc brakes, 160mm rotors and Shimano brake levers

COCKPIT

Ritchey WCS Carbon 2x handlebar, Ritchey WCS 4-Axis stem, Ritchey WCS Carbon 1-bolt seatpost, WTB Volt Team saddle, Jamis lock-on grips



Grey Matter



Gloss Black



TRAIL X

Building great recreational-level bikes that ride much like (and look a lot like) our hi-end bikes is a passion at Jamis. And no bikes showcase our commitment to do just that better than these bikes. The Trail X chassis emphasizes all-day performance with quick handling that's not overly darty. But make no mistake, if you want to throw down, the Trail X is more than able to keep up thanks to 27.5" wheels, precise shifting drivetrains and incredibly powerful disc or linear pull brakes.



TRAIL X EXPERT

FRAME

6061 aluminum main tubes, over-sized seat tube, zero-stack head tube, oversized stays, replaceable derailleur hanger

FORK

RST Omega TNL 27.5", coil spring with Turn-n-Lock hydraulic lockout, external preload adjuster, 32mm stanchions, magnesium lowers, 100mm travel

WHEELS

Alex TD26 27.5" rims, 32H, alloy 6-bolt disc hubs, stainless spokes, Kenda Kadre, 27.5 x 2.1" tires

DRIVETRAIN

Shimano Acera rear and front derailleurs, Acera, 3x9-speed shifters, Shimano M3000, 40/30/22T crankset, Shimano HG20 11-34T cassette, Tektro Auriga hydraulic disc brakes, 160mm rotors

COCKPIT

Jamis XC riser handlebar, Jamis XC alloy threadless stem, Jamis alloy micro-adjust seatpost, Jamis ATB Sport saddle, Jamis Kraton grips



Gloss Black



Winter Dusk



TRAIL X COMP

FRAME

6061 aluminum main tubes, over-sized seat tube, zero-stack head tube, oversized stays, replaceable derailleur hanger

FORK

RST Blaze TNL 27.5", coil spring with Turn-n-Lock hydraulic lockout, external preload adjuster, 30mm stanchions, aluminum lowers, 100mm travel

WHEELS

Alex TD26 27.5" rims, 32H, alloy 6-bolt disc hubs, stainless spokes, Kenda Kadre, 27.5 x 2.1" tires

DRIVETRAIN

Shimano Acera rear and M190 front derailleurs, Shimano M310 3x8-speed shifters, Shimano TY701, 42/34/24T crankset, Shimano HG20 11-32T cassette, Tektro Auriga hydraulic disc, 160mm rotors

COCKPIT

Jamis XC riser handlebar, Jamis XC alloy threadless stem, Jamis alloy micro-adjust seatpost, Jamis ATB Sport saddle, Jamis Kraton grips



Black Jack



Victory Red



TRAIL X SPORT

FRAME

6061 aluminum main tubes, over-sized seat tube, zero-stack head tube, oversized stays, replaceable derailleur hanger

FORK

RST Gila ML 27.5", coil spring with mechanical lockout, external preload adjustor, 28mm stanchions, aluminum lowers, 100mm travel

WHEELS

Alex TD26 27.5" rims, 32H, alloy 6-bolt disc hubs, stainless spokes, Kenda Kadre, 27.5 x 2.1" tires

DRIVETRAIN

Shimano TX800 rear and M190 front derailleurs, Shimano EF51, EZ-Fire Plus, 3x8-speed shifters, SR Suntour XCC-T102, 42/34/24T crankset, Shimano HG20 11-32T cassette, Tektro M280 mechanical disc brakes, 160mm rotors and Shimano brake levers

COCKPIT

Jamis XC riser handlebar, Jamis XC alloy threadless stem, Jamis alloy micro-adjust seatpost, Jamis ATB Sport saddle, Jamis Kraton grips



Electric Blue



Gloss Black

TRAIL X

FRAME

6061 aluminum main tubes, over-sized seat tube, zero-stack head tube, oversized stays, replaceable derailleur hanger

FORK

RST Gila 27.5", coil spring, external preload adjustor, 28mm stanchions, aluminum lowers, 100mm travel

WHEELS

Alex ACE-17 double-wall alloy rim, 36H, heavy-duty ATB hubs w/QR, stainless steel spokes, Kenda Kadre, 27.5x2.1" tires

DRIVETRAIN

Shimano TX-35 rear and TX50 front derailleurs, Shimano EF41, EZ-Fire Plus 3x7-speed shifters, Forged alloy 42/34/24T crankset, Shimano TZ31, 14-34T cassette, Alloy linear pull type brakes with Shimano levers

COCKPIT

Jamis XC riser handlebar, Jamis XC alloy threadless stem, Jamis alloy micro-adjust seatpost, Jamis ATB Sport saddle, Jamis Kraton grips



Palladium



Gloss Black

ROAD BIKES

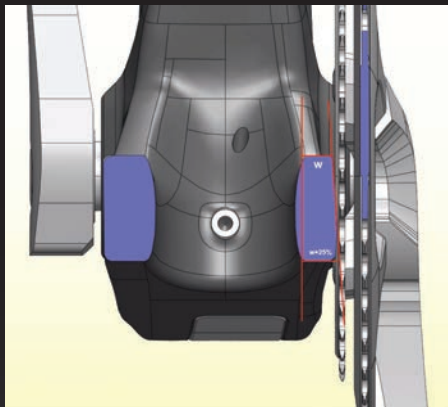




RENEGADE

The Renegade is ready for any adventure, no matter which Renegade you ride. The long and tall endurance geometry is designed specifically to ride comfortably all day on the road or in harsh conditions off-road. The smooth ride of the full carbon fiber Expert and Elite bikes introduced last year set the bar for how we wanted the new-for-'16 steel Exploit and Expat and aluminum Exile to ride this year. With disc brakes and the ability to mount a 40mm tire, these bikes are ready to go just about anywhere. All you need is the desire to push, pedal and explore.





GO WIDE

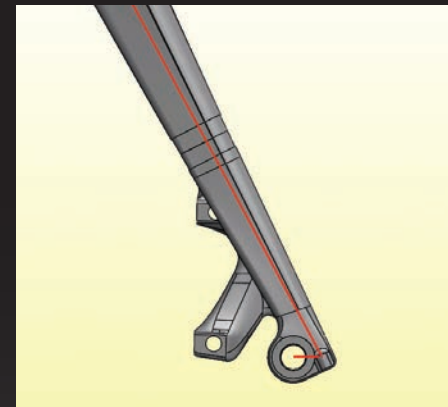
The BB386 EVO bottom bracket design amplifies the benefits of the proven BB30 system. It takes the lighter, stiffer 30mm alloy spindle of the BB30 design, incorporates press fit bearing cups instead of direct fit bearings and marries it to a wider 86.5mm BB shell. All without changing Q-factor. Why a wider shell? It allows us to increase the diameter of our seat and down tubes at the BB shell a full 30%, for increased stiffness where you really need it. We can also optimize chainstay design with both increased diameters (stiffer!) and wider spacing (more tire clearance!). Our new design gives you the ability to mount a full-bodied 40c tire.



AS CLOSE TO CUSTOM AS IT GETS

The goal was to produce the ideal adventure ride identically for all frame sizes. Of course we began with size-specific tubing diameters, a concept we pioneered decades ago. Then we blew up the mold department with requests for 3 different fork offsets, 3 different BB drops, 3 different rear-center measurements and 2 rear triangle sizes.

We ensured stack and reach was consistently stepped from frame size to frame size. Then we tuned lay-ups by frame size. The result is a bike with ride qualities that are virtually cloned from 48 to 61.



KEEP IT ON TRACK

ECO stands for Enhanced Compliance Offset. The ECO fork blades are swept forward a few millimeters to provide vertical compliance for a more comfortable and controlled ride without any compromise to lateral stiffness, thanks to the reinforcing rib on the inside of the fork legs. Integrating a 15mm thru-axle into the fork amplifies the benefits of the ECO design by reinforcing lateral and torsional stiffness, counteracting the influences of disc-brake torque, which keeps the front wheel tracking exactly where you're steering it.



Gloss Carbon

RENEGADE ELITE

FRAME

Omnriad M30 monocoque carbon fiber frame, Near Net molding process, 12 x 142 thru-axle, SST tubing, EVO386 carbon BB shell, ACE internal cable routing, hidden carrier/fender mount eyelets

FORK

Jamis ECO monocoque carbon fiber fork with 15mm thru-axle, 1.5" hollow formed crown, carbon dropouts, hidden fender mount eyelets and stainless axle interfaces

WHEELS

American Classic Argent Tubeless Center Lock wheelset, 32H, AC disc hubs with sealed bearings, front 15mm/rear 12 x 142 thru-axle and AC round spokes, Clement X Plor USH, 700 x 35c, 60tpi, protection belt and Kevlar folding tires

DRIVETRAIN

Shimano Ultegra derailleurs, Ultegra ST-R685 2x11-speed hydraulic disc brake shifters, Ultegra FC-6800 50/34T crankset, Shimano 11-32T cassette, Shimano BR-785 hydraulic disc brakes with SM-RT99 Ice Tech FREEZA Center Lock 160mm rotors

COCKPIT

Ritchey Evomax Comp with 12° flare handlebar, Ritchey Comp 4-Axis stem, Ritchey WCS Link FlexLogic Carbon seatpost, Ritchey Comp ZeroMax Vector EVO FlexLogic saddle, Fizik Superlight Microsoft Touch with GEL inserts



Gloss Carbon

RENEGADE EXPERT

FRAME

Dyad Plus T700/FRP monocoque carbon fiber frame, Near Net molding process, 12 x 142 thru-axle, SST tubing, EVO386 carbon BB shell, ACE internal cable routing, hidden carrier/fender mount eyelets

FORK

Jamis ECO monocoque carbon fiber fork with 15mm thru-axle, 1.5" hollow formed crown, carbon dropouts, hidden fender mount eyelets and stainless axle interfaces

WHEELS

Alex ATD 470 disc rim with tubeless, 32H, Formula alloy Center Lock sealed bearing hubs with front 15mm/rear 12 x 142 thru-axle and 14g black stainless steel spokes, Clement X Plor USH, 700 x 35c, 30tpi with protection belt tires

DRIVETRAIN

Shimano 105 derailleurs, Shimano 105 ST- 5800 2x11-speed shifters, Shimano 105 FC-5800 50/34T crankset, Shimano 105 12-32T cassette, TRP HYRD cable actuated hydraulic disc brake with Center Lock Ice Tech 160mm rotors

COCKPIT

Ritchey Evomax Comp with 12° flare handlebar, Ritchey 4-Axis stem, Jamis carbon fiber micro-adjust seatpost, Selle Royal Seta S1 saddle, Fizik Superlight Microsoft Touch bar tape with GEL inserts



Baja Fog

RENEGADE EXPLOIT

FRAME

Reynolds 631 double-butted chromoly frame, 44mm head tube for tapered fork, threaded BB shell, top tube mounted full cable housing, rack and fender mount eyelets, with clearance for 40c tires

FORK

Jamis ECO monocoque carbon fiber fork with 15mm thru-axle, 1.5" hollow formed crown, carbon dropouts, hidden fender mount eyelets and stainless axle interfaces

WHEELS

Alex ATD 470 disc rim with tubeless, 32H, Formula alloy Center Lock sealed bearing hubs with front 15mm thru-axle/rear QR and 14g black stainless steel spokes, Clement X Plor USH, 700 x 35c, 30tpi with protection belt tires

DRIVETRAIN

Shimano 105 derailleurs, Shimano 105 ST- 5800 2x11-speed shifters, Shimano 105 FC-5800 50/34T crankset, Shimano 105 12-32T cassette, TRP HYRD cable actuated hydraulic disc brake with Center Lock Ice Tech 160mm rotors

COCKPIT

Ritchey Evomax Comp with 12° flare handlebar, Ritchey 4-Axis stem, Jamis carbon fiber micro-adjust seatpost, Selle Royal Seta S1 saddle, Fizik Superlight Microsoft Touch bar tape with GEL inserts

RENEGADE EXPAT

FRAME

Reynolds 520 double-buttet chromoly frame, 44mm head tube for tapered fork, threaded BB shell, top tube mounted full cable housing, rack and fender mount eyelets, with clearance for 40c tires

FORK

Jamis ECO monochoque carbon fiber fork with 15mm thru-axle, 1.5" hollow formed crown, carbon dropouts, hidden fender mount eyelets and stainless axle interfaces

WHEELS

Alex ATD 470 disc rim with tubeless, 32H, Formula alloy hubs and 14g stainless steel spokes, Clement X Plor USH, 700 x 35c, 30tpi with protection belt tires

DRIVETRAIN

Shimano Tiagra derailleurs, Shimano Tiagra ST-4700 2x10 shifters, FSA Omega MegaExo 50/34T crankset, Shimano 12-30T cassette, TRP Spyre mechanical cable actuated disc brake with 160mm rotors

COCKPIT

Ritchey Evomax Comp with 12° flare handlebar, Ritchey 4-Axis stem, Ritchey Road seatpost, Selle Royal Seta S1 saddle, Jamis suede bar tape



Gloss Black

RENEGADE EXILE

FRAME

6061 aluminum double-buttet SST main frame, top tube mounted full cable housing, replaceable derailleur hanger, accepts 3 waterbottles, rack and fender mount eyelets, with clearance for 40c tires

FORK

Jamis Adventure aluminum fork, tapered chromoly steerer, integrated cable cradles with post disc brake mounts and fender eyelets

WHEELS

Alex ATD 470 disc rim with tubeless, 32H, Formula alloy hubs and 14g stainless steel spokes, Clement X Plor USH, 700 x 35c, 30tpi with protection belt tires

DRIVETRAIN

Shimano Claris derailleurs, Shimano Claris ST-2400 2x8-speed shifters, FSA Tempo 50/34T crankset, SRAM PG-830 11-32T cassette, Tektro Lyra mechanical cable actuated disc brake with 160mm wave rotors

COCKPIT

Ritchey Evomax Comp with 12° flare handlebar, Jamis Road 3D forged stem, Jamis Road micro-adjust seatpost, Jamis Road saddle, Jamis suede bar tape



Ano Palladium

XENITH

"As good as it gets" is never good enough at Jamis. And our Xenith series proves it. The Pro-circuit proven Xenith platform lets you scorch steep climbs or make up time on switchback descents with an SPV-molded, high modulus carbon fiber monocoque frame that's so ride-tuned and gram-lean it's truly a magic carpet to the podium. These are no-excuses race machines, obsessively built so you can sprint with 100% commitment, throw yourself into corners with absolute confidence and still enjoy smoothly forgiving ride quality.





Cosmo Blue



Available as frameset

XENITH TEAM

FRAME

Dyad Elite M30/T700 monocoque carbon fiber frame, SST tubing diameters, FEA optimized Near Net SPV molding process, tapered head tube with carbon bearing races, EVO386 carbon BB shell, ACE internal cable routing, direct mount chain stay brake

FORK

FEA optimized Near Net SPV molding process, 1.5" hollow formed crown, monocoque one-piece forming technology, carbon dropouts with stainless axle interfaces

WHEELS

American Classic Argent Tubeless, 18/24H, 30mm rim height with 23x19mm width, AC High-Lo with Micro 58 hubs with stainless steel cartridge bearings and AC stainless steel bladed spokes, Vittoria Open Corsa CX, 700 x 23c tires

DRIVETRAIN

Shimano Dura Ace derailleurs, Dura Ace ST-9000 2x11-speed shifters, Dura Ace FC-9000, 53/39T crankset, Dura Ace CS-9000 11-25T cassette, Shimano Dura Ace BR-9010 direct mount Super SLR dual pivot rear calipers and BR-9000 front with cartridge pads

COCKPIT

Ritchey WCS Logic Curve handlebar, Ritchey WCS 4-Axis stem, Ritchey Carbon seatpost, Fizik Arione R7 saddle, Fizik Superlight Microsoft Touch bar tape



Pure Lime

XENITH PRO

FRAME

Dyad Elite M30/T700 monocoque carbon fiber frame, SST tubing diameters, FEA optimized Near Net SPV molding process, tapered head tube with carbon bearing races, EVO386 carbon BB shell, ACE internal cable routing, direct mount chain stay brake

FORK

FEA optimized Near Net SPV molding process, 1.5" hollow formed crown, monocoque one-piece forming technology, carbon dropouts with stainless axle interfaces

WHEELS

American Classic Argent Tubeless, 18/24H, 30mm rim height with 23x19mm width, AC High-Lo with Micro 58 hubs with stainless steel cartridge bearings and AC stainless steel bladed spokes, Vittoria Rubino Pro 700 x 23c folding tires

DRIVETRAIN

SRAM Force22 derailleurs, SRAM Force22 2x11-speed shifters, SRAM Force22 GXP 52/36T crankset, SRAM PG1170 11-26T cassette, Shimano BR-6010 direct mount caliper rear and SRAM Force front brakes

COCKPIT

Ritchey Comp EVO Curve handlebar, Ritchey Comp 4-Axis stem, Ritchey Carbon seatpost, Fizik Arione R7 saddle, Fizik Superlight Microsoft Touch bar tape

XENITH RACE

FRAME

Dyad Plus T700/FRP monocoque carbon fiber frame, SST tubing diameters, FEA optimized Near Net SPV molding process, tapered head tube with carbon bearing races, EVO386 carbon BB, ACE internal cable routing, direct mount chain stay brake

FORK

FEA optimized Near Net SPV molding process, 1.5" hollow formed crown, carbon dropouts with stainless axle interfaces

WHEELS

Mavic Aksium Race wheelset, 20H, Mavic alloy hubs with QRM bearings and FTS-L freehub with straight pull aerodynamic spokes, Vittoria Zaffiro Pro Slick 700 x 23c folding tires

DRIVETRAIN

Shimano Dura Ace rear and Ultegra front derailleurs, Ultegra ST- 6800 2x11-speed shifters, Ultegra FC-6800 52/36T crankset, Ultegra CS-6800 11-28T cassette, Shimano BR-6010 direct mount rear and BR-6800 dual pivot front caliper brakes

COCKPIT

Ritchey Comp Logic Curve handlebar, Ritchey Comp 4-Axis stem, Jamis carbon fiber micro-adjust seatpost, Fizik Arione R7 saddle, Fizik Superlight Microsoft Touch bar tape



Inferno

XENITH COMP

FRAME

Dyad Plus T700/FRP monocoque carbon fiber frame, SST tubing diameters, FEA optimized Near Net SPV molding process, tapered head tube with carbon bearing races, EVO386 carbon BB, ACE internal cable routing, direct mount chain stay brake

FORK

FEA optimized Near Net SPV molding process, 1.5" hollow formed crown, carbon dropouts with stainless axle interfaces

WHEELS

Alex AT 470 rim with TCS, 28/32H, Formula alloy hubs with QR and 14g black stainless steel spokes, Vittoria Zaffiro Slick, 700 x 23c tires

DRIVETRAIN

Shimano 105 derailleurs, Shimano 105 ST- 5800 2x11-speed shifters, Shimano 105 FC-5800 50/34T crankset, Shimano 12-25T cassette, Shimano BR-5810 direct mount rear and BR-5800 dual pivot front calipers with cartridge pads

COCKPIT

Ritchey Comp Logic Curve handlebar, Ritchey 4-Axis stem, Jamis carbon fiber micro-adjust seatpost, Fizik Arione R7 saddle, Fizik Superlight Microsoft Touch bar tape



Breakaway Grey

ICON

We knew the Icon was a winner when we first introduced it three years ago and back-to-back Editor's Choice awards from Bicycling Magazine in 2013 and 2014 proved it. It's not too hard to figure out why. With an alloy frame that is just as light as our carbon fiber Xenith Comp and a frame geo inspired by our peloton-proven Xenith Team, the Icon sprints like a missile with a "connected" road feel that inspires confidence.





Brushed Aluminum

ICON ELITE

FRAME

Synthesis double-butt 6061 aluminum, tapered top and ovalized down tube with SST tubing diameters, twin seat stays, tapered head tube, Press Fit 30 BB shell, replaceable derailleur hanger

FORK

Jamis Road carbon fork, 1.5" hollow formed crown, monocoque one-piece forming technology, carbon dropouts with stainless axle interfaces

WHEELS

American Classic Victory 30 Tubeless wheelset, 30mm rim profile, AC alloy hubs with 18/24H aerodynamic spokes, Vittoria Rubino Pro, 700 x 23c, folding tires

DRIVETRAIN

Shimano Ultegra derailleurs, Ultegra ST-6800 2x11-speed shifters, Ultegra FC-6800 52/36T crankset, Shimano 11-28T cassette, Shimano Ultegra BR-6800 Super SLR dual pivot calipers

COCKPIT

Ritchey Comp Logic Curve handlebar, Ritchey Comp 4-Axis stem, Jamis carbon fiber micro-adjust seatpost, Fizik Arione R7 saddle, Fizik Superlight Microsoft Touch bar tape



Cosmo Blue

ICON PRO

FRAME

Synthesis double-butted 6061 aluminum, tapered top and ovalized down tube with SST tubing diameters, twin seat stays, tapered head tube, Press Fit 30 BB shell, replaceable derailleur hanger

FORK

Jamis Road carbon fork, 1.5" hollow formed crown, monocoque one-piece forming technology, carbon dropouts with stainless axle interfaces

WHEELS

Mavic Aksium Race wheelset, 20H, Mavic alloy hubs with QRM bearings and FTS-L freehub and self-locking straight pull aerodynamic spokes, Vittoria Zaffiro Slick, 700 x 23c, folding tires

DRIVETRAIN

Shimano 105 derailleurs, 105 ST-5800 2x11-speed shifters, 105 FC-5800 50/34T crankset, Shimano 11-28T cassette, Tektro R540 forged alloy dual pivot calipers with cartridge pads

COCKPIT

Ritchey Comp Logic Curve handlebar, Ritchey 4-Axis stem, Jamis carbon fiber micro-adjust seatpost, Selle Royal Seta S1 saddle, Fizik Superlight Microsoft Touch bar tape



Charcoal

ICON RACE

FRAME

Synthesis double-buttressed 6061 aluminum, tapered top and ovalized down tube with SST tubing diameters, twin seat stays, tapered head tube, Press Fit 30 BB shell, replaceable derailleur hanger

FORK

Jamis Road carbon fork, 1.5" hollow formed crown, monocoque one-piece forming technology, carbon dropouts with stainless axle interfaces

WHEELS

Alex AT 470 rim with tubeless, 28/32H, Formula alloy hubs with QR and 14g stainless steel spokes, Vittoria Zaffiro Slick, 700 x 23c tires

DRIVETRAIN

Shimano Tiagra derailleurs, Tiagra ST-4700 2x10-speed shifters, FSA Omega Press Fit 30 50/34T crankset, Shimano 12-28T cassette, Tektro R312 alloy dual pivot calipers

COCKPIT

Ritchey Comp Logic Curve handlebar, Ritchey 4-Axis stem, Jamis carbon fiber micro-adjust seatpost, Selle Royal Seta S1 saddle, Fizik Superlight Microsoft Touch bar tape

SUPERNOVA

Over the barriers, through the mud, to the podium we go. On a Supernova of course. The carbon fiber Team and Elite versions of this perennial CX winner are guaranteed to have you reigning in the wet and muddy stuff. And with a parts package identical to the Supernova Elite, so too will the aluminum Nova Pro. All three have been upgraded for 2016 to include 12 x 142mm thru-axle rear wheels so every watt your throw into the pedals pushes you to the podium faster.





Teal Fo' Real



Available as frameset

SUPERNOVA TEAM

FRAME

Dyad Plus T700/FRP monocoque carbon fiber frame, 12 x 142 thru-axle, Near Net SPV molding process, formed top tube for comfortable portage, SST tubing diameters, tapered head tube with carbon bearing races, EV0386 carbon BB shell, ACE internal cable routing

FORK

Jamis CX carbon fiber fork with 15mm Thru-axle, Near Net SPV molding process, 1.5" hollow formed crown, monocoque one-piece forming technology, post disc brake mounts with integrated carbon cable cradle with stainless axle interfaces

WHEELS

American Classic Argent Tubeless wheelset, 32H, 30mm aero rim profile 22/19.4mm width, AC disc hubs with sealed bearings, front 15mm/rear 12 x 142 thru-axle and AC round spokes, Clement Crusade MXP, 700 x 33c, 120tpi, kevlar bead folding tires

DRIVETRAIN

SRAM Force 1 medium cage rear derailleur, Force 1 hydraulic Double Tap 1x11-speed shifter, Force CX1 42T GXP crankset, SRAM PG-1070 11-32T cassette, Force hydraulic disc brakes, 19mm front and 18mm rear piston, 160mm front/140mm rear rotors

COCKPIT

Ritchey WCS Logic Curve handlebar, Ritchey WCS 4-axis stem, Ritchey Carbon seatpost, Fizik Aliante R7 saddle, Fizik Superlight Microsoft Touch bar tape



Inferno

SUPERNOVA ELITE

FRAME

Dyad Plus T700/FRP monocoque carbon fiber frame, 12 x 142 thru-axle, Near Net SPV molding process, formed top tube for comfortable portage, SST tubing diameters, tapered head tube with carbon bearing races, EVO386 carbon BB shell, ACE internal cable routing

FORK

Jamis CX carbon fiber fork with 15mm Thru-axle, Near Net SPV molding process, 1.5" hollow formed crown, monocoque one-piece forming technology, post disc brake mounts with integrated carbon cable cradle with stainless axle interfaces

WHEELS

Alex ATD 470 disc rim with tubeless, 32H, Formula alloy sealed bearing 6-bolt disc road hubs, front thru-axle and 14g stainless steel spokes, Clement Crusade MXP, 700 x 33c, 60tpi, folding tires

DRIVETRAIN

SRAM Rival 1 medium cage rear derailleur, Rival 1 hydraulic Double Tap 1x11-speed shifter, SRAM S-350-1 Xsync 40T GXP crankset, SRAM PG-1130 11-36T cassette, SRAM Rival hydraulic brakes with G2CS 160mm front; 140mm rear rotors

COCKPIT

Ritchey Comp Logic Curve handlebar, Ritchey 4-Axis stem, Ritchey Road seatpost, Selle Royal Seta S1 saddle, Fizik Superlight Microsoft Touch bar tape



Black Coal

NOVA PRO

FRAME

7005 aluminum double-butted main frame, hydro-formed top tube for comfortable portage, 12 x 142 thru-axle, tapered head tube, PressFit 30 BB shell, 34.9mm seat tube, replaceable derailleur hanger

FORK

Jamis CX carbon fiber fork with 15mm Thru-axle, Near Net SPV molding process, 1.5" hollow formed crown, monocoque one-piece forming technology, post disc brake mounts with integrated carbon cable cradle with stainless axle interfaces

WHEELS

Alex ATD 470 disc rim with tubeless, 32H, Formula alloy sealed bearing 6-bolt disc road hubs, 15mm front & 12 x 142mm rear thru axles, 14g stainless steel spokes, Clement Crusade MXP, 700 x 33c, 60tpi, folding tires

DRIVETRAIN

SRAM Rival 1 medium cage rear derailleur, Rival 1 hydraulic Double Tap 1x11-speed shifter, SRAM S-350-1 Xsync 40T GXP crankset, SRAM PG-1130 11-36T cassette, SRAM Rival hydraulic brakes with G2CS 160mm front; 140mm rear rotors

COCKPIT

Ritchey Comp Logic Curve handlebar, Ritchey 4-Axis stem, Ritchey Road seatpost, Selle Royal Seta S1 saddle, Fizik Superlight Microsoft Touch bar tape

ENDURA

Our Enduras are a favorite amongst Gran Fondo and century riders, distance cyclists and racers looking for an edge on rough or steep courses. And it's no surprise why. Borrowing heavily from our race-winning Xenith Competition geo, the Endura strikes a balance between performance, comfort, compliance and capability. Every Endura model features all the performance and design attributes of our racing bikes with slightly taller head tubes, longer wheelbases and slightly relaxed frame angles. Fast, long, steep and rough rides can now be enjoyed, not just endured.



ENDURA COMP

FRAME

Dyad Elite M30/T700 lay-up, SST tubing diameters, ACE internal cables, carbon tapered head tube, carbon PressFit 30 BB shell, hidden carrier/fender mount eyelets, replaceable derailleur hanger

FORK

Jamis ECO carbon composite fork, 1.5" hollow formed crown, monocoque one-piece forming technology, alloy dropouts, hidden fender mount eyelet

WHEELS

Shimano RS11 wheelset, 16/20H, 24mm rim profile, forged aluminum loose ball hubs with bladed stainless steel spokes, Vittoria Zaffiro, 700 x 25c tires

DRIVETRAIN

Shimano 105 front & rear derailleurs, Shimano 105 2x11-speed shifters, Shimano 105 FC-5800 50/34T crankset, Shimano 11-28T cassette, Tektro R359 forged alloy long reach dual pivot calipers with cartridge pads

COCKPIT

Ritchey Comp Logic Curve handlebar, Ritchey 4-Axis stem, Jamis carbon fiber micro-adjust seatpost, Selle Royal Seta S1 saddle, Fizik Superlight Microsoft Touch bar tape



Gloss Carbon

ENDURA SPORT

FRAME

Dyad Plus T700/FRP lay-up, SST tubing diameters, ACE internal cables, carbon tapered head tube, carbon PressFit 30 BB shell, hidden carrier/fender mount eyelets, replaceable derailleur hanger

FORK

Jamis ECO carbon composite fork, 1.5" hollow formed crown, monocoque one-piece forming technology, alloy dropouts, hidden fender mount eyelet

WHEELS

Alex AT 470 rim with CNC sidewalls and tubeless, 28/32H, Formula alloy hubs with QR and 14g stainless steel spokes, Vittoria Zaffiro, 700 x 25c tires

DRIVETRAIN

Shimano Tiagra front & rear derailleurs, Shimano Tiagra 2x10-speed shifters, FSA Vero compact double, 50/34T crankset, Shimano 11-32T cassette, Tektro R317 alloy long reach dual pivot calipers

COCKPIT

Jamis Ergo handlebar, Jamis Road stem, Jamis carbon fiber micro-adjust seatpost, Selle Royal Seta S1 saddle, Fizik Superlight Microsoft Touch bar tape



Gloss Carbon

VENTURA

Our Ventura bikes borrow heavily from the race-proven geometry of our Xeniths and Icons to help keep you in front on the local Saturday ride. But we've softened the edges of that geo just a bit for a more comfortable and confident ride so you can head out again on Sunday, still fresh and ready to hammer your buddies one more time.





Galaxy Grey

VENTURA RACE

FRAME

Double-buttressed 6061 aluminum, compact sloping top tube frame design, SST tubing diameters, tapered head tube, butted seat tube for 27.2 seat post, replaceable derailleur hanger and fender/rack mount eyelets

FORK

Jamis ECO carbon composite fork, 1.5" hollow formed crown, monocoque one-piece forming technology, alloy dropouts with hidden fender mount eyelets

WHEELS

Alex AT 470 rim with TCS (Tubeless Compatible System), 28/32H, Formula alloy hubs with QR and 14g black stainless steel spokes, Vittoria Zaffiro, 700 x 25c tires

DRIVETRAIN

Shimano Tiagra front & rear derailleurs, Shimano Tiagra RD-4700 2x10-speed shifters, FSA Vero 50/34T crankset, Shimano 11-32T cassette, Tektro R312 alloy dual pivot calipers with cartridge pads

COCKPIT

Ritchey Comp Logic Curve handlebar, Ritchey 4-Axis stem, Jamis carbon fiber micro-adjust seatpost, Selle Royal S1 saddle, Jamis suede bar tape



Pure White

VENTURA COMP

FRAME

Double-butted 6061 aluminum, compact sloping top tube frame design, SST tubing diameters, 1 1/8"-1.5" tapered head tube, butted seat tube for 27.2 seat post, replaceable derailleur hanger and fender/rack mount eyelets

FORK

Jamis ECO carbon composite fork, 1.5" hollow formed crown, monocoque one-piece forming technology, alloy dropouts with hidden fender mount eyelets

WHEELS

Alex AT 470 rim with TCS (Tubeless Compatible System), 28/32H, Formula alloy hubs with QR and 14g stainless steel spokes, Vittoria Zaffiro 700 x 25c tires

DRIVETRAIN

Shimano Sora front & rear derailleurs, Shimano Sora 2x9-speed shifters, FSA Vero 50/34T crankset, SRAM PG-950 11-32T cassette, Tektro R312 alloy dual pivot calipers with adjustable pads

COCKPIT

Ritchey Logic handlebar, Ritchey 4-Axis stem, Ritchey Road seatpost, Selle Royal S1 saddle, Jamis suede bar tape

VENTURA SPORT

FRAME

6061 aluminum, compact sloping top tube frame design, SST tubing diameters, tapered head tube, 27.2 seat post, replaceable derailleur hanger and fender/rack mount eyelets

FORK

Aero straight blade road fork, 1.5 aluminum crown, aluminum blades with chromoly steerer and fender mount eyelets

WHEELS

Alex ID-19 double wall alloy rims with GSW sidewall, 28/32H, Formula alloy hubs with QR and 14g stainless steel spokes, Vittoria Zaffiro, 700 x 25c tires

DRIVETRAIN

Shimano Claris front & rear derailleurs, Shimano Claris 2x8-speed shifters, FSA Tempo 50/34T crankset, SRAM PG-830 11-32T cassette, Tektro R317 alloy dual pivot calipers with adjustable pads

COCKPIT

Jamis Ergo handlebar, Jamis Road stem, Jamis alloy micro-adjust seatpost, Jamis Road Sport saddle, Jamis suede bar tape



Pure Lime



Gloss Black



QUEST

The legendary ride of steel: that's what our Quest series is all about. There is an allure to steel that transcends its traditional artisan appeal. And that's its ride quality. "Stiff but buttery smooth" is the phrase most often used to express that quality. It's the benchmark against which all other frame materials have always been measured.





Silver Mist

QUEST ELITE

FRAME

Reynolds 631 seamless air-hardened chromoly main tubes, SST tubing diameters, sloping top tube design, double-tapered heat-treated stays, reinforced head tube collars, lost wax dropouts and fender/rack mount eyelets

FORK

Jamis Road carbon composite with forged alloy dropouts with fender mount eyelets

WHEELS

Ritchey Comp Zeta wheelset, 20/24H, 24mm rim profile, cold forged hubs with cup and cone bearings and DT Competition spokes, Vittoria Zaffiro Pro, 700 x 25c, folding tires

DRIVETRAIN

Shimano 105 front & rear derailleurs, Shimano 105 2x11-speed shifters, Shimano 105 50/34T crankset, Shimano 11-28T cassette, Shimano BR451 Super SLR long reach dual pivot calipers with adjustable pads

COCKPIT

Ritchey Comp Logic Curve handlebar, Ritchey 4-Axis stem, Ritchey Road seatpost, Selle Royal Seta S1 saddle, Fizik Superlight Microsoft Touch bar tape



Black Ice

QUEST COMP

FRAME

Reynolds 520 double-butted chromoly main tubes with SST tubing diameters, sloping top tube frame design, double-tapered cromostays, forged dropouts and fender/rack mount eyelets

FORK

Jamis Road carbon composite with forged alloy dropouts with fender mount eyelets

WHEELS

Alex AT 470 rims with TCS (Tubeless Compatible System), 28/32H, Formula alloy hubs with QR and 14g stainless steel spokes, Vittoria Zaffiro, 700 x 25c tires

DRIVETRAIN

Shimano Sora front & rear derailleurs, Shimano Sora 3x9-speed shifters, FSA Vero triple 50/39/30T crankset, SRAM PG-950 11-28T cassette, Tektro R317 long reach dual-pivot calipers with adjustable pads

COCKPIT

Ritchey Comp Logic Curve handlebar, Jamis adjustable threadless system stem, Jamis alloy micro-adjust seatpost, Jamis Touring Sport saddle, Jamis suede bar tape

QUEST SPORT

FRAME

4130 double-butted chromoly main tubes with SST tubing diameters, sloping top tube frame design, double-tapered crono stays, forged dropouts and fender/rack mount eyelets

FORK

Full 4130 chromoly lugged crown, radius blades, forged dropouts with fender mount eyelets

WHEELS

Alex ID-19 double wall alloy rims with GSW sidewall, 28/32H, Formula alloy hubs with QR and 14g stainless steel spokes, Vittoria Zaffiro, 700 x 25c tires

DRIVETRAIN

Shimano Claris front & rear derailleurs, Shimano Claris 3x8-speed shifters, Shimano Claris triple 52/42/30T crankset, SRAM PG-830 11-30T cassette, Tektro R317 long reach dual-pivot calipers with adjustable pads

COCKPIT

Jamis Ergo handlebar, Jamis Road stem, Jamis alloy micro-adjust seatpost, Jamis Touring Sport saddle, Jamis suede bar tape



Gloss Black



Winter Dusk



AURORA

These are the road bikes for smart cyclo-tourists and world travelers. Our legendary Reynolds steel chassis assure unbeatably robust performance and resilient ride damping you'll appreciate while loaded up and cresting steep mountain passes or rural back roads. This is magic carpet ride stuff, especially for full-pannier touring and rough-road adventures.



AURORA ELITE

FRAME

Reynolds 631 seamless air-hardened chromoly main tubes, SST tubing diameters, clearance for 35mm tires and fenders, custom laser cut road disc dropouts, fender/rack mount eyelets and 3 spoke carrier.

FORK

Lugged semi-sloping chromoly with low-rider braze-ons, disc brake tab, forged dropouts, fender mount eyelets, clearance for 35mm tires and fenders

WHEELS

Mavic XM 119 double wall rims, 36H, Shimano R505 Center Lock disc hubs and DT Champion 14g stainless steel spokes, Clement X Plor USH, 700 x 35c, 60tpi, protection belt with reflective sidewalls and Kevlar bead folding tires

DRIVETRAIN

Shimano 105 front & rear derailleurs, Dura Ace bar-end 3x10-speed shifters, Shimano triple 50/39/30T crankset, Shimano 11-32T cassette, TRP HYRD cable actuated hydraulic disc brake with Shimano 160mm rotors and Tektro RL340 road brake levers

COCKPIT

Jamis Ergo handlebar, Jamis adjustable threadless system stem, Jamis alloy micro-adjust seatpost, Jamis Touring Sport saddle, Jamis natural cork bar tape



Ano Black

AURORA

FRAME

Reynolds 520 double-buttet chromoly main tubes with SST tubing diameters, forged dropouts, fender/rack mount eyelets and 3 spoke carrier

FORK

Lugged semi-sloping chromoly with canti bosses, low-rider carrier braze-ons, forged dropout with fender mount eyelets

WHEELS

Alex ACE19 eyeleted double walled rims, 36H, Shimano Tiagra 4500 hubs with QR and 14g stainless steel spokes, Vittoria Randonneur with Double Shielding puncture protection, 700 x 32c tires

DRIVETRAIN

Shimano Tiagra rear and Sora front derailleurs, microSHIFT bar-end 3x9-speed shifters, FSA Alpha Drive triple 48/36/26T crankset, SRAM PG-950 11-32T cassette, Tektro 992 forged alloy cantilevers with Tektro RL340 road brake lever

COCKPIT

Jamis Ergo handlebar, Jamis adjustable threadless system stem, Jamis alloy micro-adjust seatpost, Jamis Touring Sport saddle, Jamis natural cork bar tape



Evergreen

FIXIES

The Sonik's double-budded 7005 aero aluminum tubeset delivers an incredibly stout bottom bracket that braces its unyielding chainstays for explosive power delivery. This is a bike that lets you launch like a match sprinter, with the aero efficiency of a pursuiter – a coveted combo on the velodrome. Saddle up and get ready to rock the banking!



SONIK

FRAME

Aero 7005 double-buttressed aluminum track frame, airfoil radius bent seat tube with wheel cut-out, airfoil seatstays, brake bridge, rear entry track dropouts with stainless inserts

FORK

Carbon Aero Track fork with alloy steerer & crown, forged alloy dropouts

WHEELS

Alex RA30 aero rim, 32/32H, 30mm aero rim profile, Formula alloy track hubs with flip/flop rear and 14g stainless steel spokes, Vittoria Zaffiro Slick, 700 x 23c, folding tires

DRIVETRAIN

FSA F. Gimondi Track 46T crankset, Chromoly 15T Fixed

COCKPIT

Jamis Track handlebar, Jamis Road stem, Jamis Aero carbon seatpost, Selle Royal Seta S1 saddle, Fizik Superlight Microsoft Touch bar tape



Radiant Blue

BEATNIK

FRAME

Hi-Ten tubing with SST tubing diameters, tapered rear stays, rear entry dropouts with fender mount eyelets

FORK

Unicrown straight blade with fender mount eyelets

WHEELS

Alloy rims with GSW sidewall, 32H, alloy track hubs with flip/flop rear and 14g stainless steel spokes, Urban, 700 x 28c tires

DRIVETRAIN

Forged alloy crankset, 46T alloy chainring, flip/flop Formula 16T Fixed and 16T Freewheel

COCKPIT

Jamis 10mm rise bar handlebar, Jamis Road stem, Jamis alloy micro-adjust seatpost, Jamis Vintage saddle, BMX Type Grip



Pure Lime



Grey Matter

STREET BIKES





COMMUTER

Many people are now discovering that commuting by bike is not only healthy, efficient and green, but on the right bike is also easy and fun. Our Commuters are designed to minimize maintenance, while maximizing comfort and efficiency. The lightweight aluminum frames, fenders, rear carriers, and single-chainring drivetrains are ready for the inner city shuffle, with our saddles and grips designed to offer comfortable contact points so you arrive refreshed and recharged.





Sahara Silver

COMMUTER 3

FRAME

6061 triple gauge aluminum main tubes and stays, new sloping design, kickstand mount, forged dropouts and fender/rack mount eyelets

FORK

Jamis City straight aluminum blades, forged dropouts with single eyelet

WHEELS

Alex ID-19 double wall alloy rims with GSW sidewall, 32H, Formula alloy front hub with QR and 14g stainless steel spokes, CST Corporal with silver safety stripe, 700 x 32c tires

DRIVETRAIN

Shimano Nexus 7-speed internal gear hub with Shimano RevoShift shifter, Forged alloy crankset, single 42T chainring, Shimano Nexus 20T cog, Tektro linear pull brakes with Tektro CL530 ergonomic designed alloy brake levers with kraton insert

COCKPIT

Jamis ARC handlebar, Jamis alloy hi-rise, quill type stem, Jamis alloy micro-adjust seatpost, Jamis Metro Sport saddle with memory foam, Anatomic double density kraton grips with reflective end plug



Dark Shadow

COMMUTER 2

FRAME

6061 triple gauge aluminum main tubes and stays, new sloping design, kickstand mount, forged dropouts and fender/rack mount eyelets

FORK

Jamis City Hi-tensile steel unicrown, straight blades, double dropout eyelets

WHEELS

Alex ID-19 double wall alloy rims with GSW sidewall, 32H, Formula alloy hubs with QR and 14g stainless steel spokes, CST Corporal with silver safety stripe, 700 x 32c tires

DRIVETRAIN

SRAM VIA rear derailleur, SRAM 3.0 Comp Grip Shift 8-Speed shifter, Forged alloy crankset, single 42T chainring, SRAM PG-850 11-32T cassette, Forged alloy linear-pull brakes with Tektro CL530 ergonomic designed alloy brake levers with kraton insert

COCKPIT

Jamis ARC handlebar, Jamis alloy hi-rise, quill type stem, Jamis alloy micro-adjust seatpost, Jamis Metro Sport saddle with memory foam, Anatomic double density kraton grips with reflective end plug

COMMUTER 1

FRAME

Hi-Tensile steel frame, new sloping design, kickstand mounts, forged dropouts and fender/rack mount eyelets

FORK

Jamis City hi-tensile steel unicrown, straight blades, double dropout eyelets

WHEELS

Alex R-1000 alloy rims, 36H, Formula alloy hubs with QR and 14g stainless steel spokes, CST Corporal with silver safety stripe, 700 x 32c tires

DRIVETRAIN

Shimano Altus rear derailleur, Shimano RevoShift 7-Speed shifter, Forged alloy crankset, single 44T chainring, Shimano MF-TZ31 14-34T cassette, Forged alloy linear-pull brakes with Tektro CL330 ergonomic designed alloy brake lever

COCKPIT

Jamis ARC handlebar, Jamis alloy hi-rise, quill type stem, Jamis alloy micro-adjust seatpost, Jamis Metro Sport saddle with memory foam, Anatomic double density kraton grips with reflective end plug



Winter Dusk



Primer Grey



CODA

Our Codas have been some of our most popular bikes for years, and for good reason. There's the smooth-riding Reynolds chromoly frames, the well-thought-out geometry, the heads-up riding position and the smart component selections, from the super-wide gearing range to the easy-adjust stems: these bikes are simply some of the best and most versatile around.





Charcoal

CODA ELITE

FRAME

Reynolds 520 double-butted chromoly main tubes, extended head tube with reinforced collars, double tapered chromo stays, custom laser cut disc dropouts and fender/rack mount eyelets

FORK

Jamis Road carbon fiber unicrown with disc mount, aluminum steerer, low-rider carrier mounts, forged dropouts and fender mount eyelets

WHEELS

Alex ATD 470 disc rims with tubeless, 32H, Shimano M475 6-bolt disc hubs with QR and 14g stainless steel spokes, Vittoria Randonneur with Double Shielding puncture protection, 700 x 32c

DRIVETRAIN

Shimano Deore front & rear derailleurs, Shimano Alivio Rapidfire Plus 3x9-speed shifters, Shimano triple, 48/36/26T crankset, Shimano 11-32T cassette, Tektro HD-M290 hydraulic disc brakes with 160mm SL wave style rotors and Tektro brake levers with reach adjust

COCKPIT

Jamis Urban handlebar, Jamis adjustable threadless system stem, Jamis alloy micro-adjust seatpost, Selle Royal Seta S1 saddle, Anatomic double density kraton grips



Steel Blue

CODA COMP

FRAME

Reynolds 520 double-butted chromoly main tubes, extended head tube with reinforced collars, double tapered chromo stays, forged dropouts and fender/rack mount eyelets

FORK

Jamis Road carbon fiber unicrown with brake mounts, low-rider carrier mounts and forged dropouts with fender mount eyelets

WHEELS

Alex ID-19 double wall alloy rims with GSW sidewall, 32H, Formula hubs with QR and 14g stainless steel spokes, Vittoria Randonneur with Double Shielding puncture protection and reflective sidewalls, 700 x 32c tires

DRIVETRAIN

Shimano Acera front & rear derailleurs, Shimano Rapidfire Plus 3x9-speed shifters, Shimano Acera triple, 48/36/26T crankset, SRAM 11-34T cassette, Tektro alloy linear-pull brakes with front power modulator and Tektro brake levers

COCKPIT

Jamis Urban handlebar, Jamis adjustable threadless system stem, Jamis alloy micro-adjust seatpost, Selle Royal Seta S1 saddle, Anatomic double density kraton grips

CODA SPORT

FRAME

Double-buttressed chromoly main tubes, extended head tube with reinforced collars, double tapered chromo stays, forged dropouts and fender/rack mount eyelets

FORK

Chromoly unicrown, bulge butted steerer, low-rider carrier mounts and forged dropouts with fender mount eyelets

WHEELS

Alex ID-19 double wall alloy rims with GSW sidewall, 32H, Formula alloy hubs with QR and 14g stainless steel spokes, Vittoria Randonneur with Double Shielding puncture protection and reflective sidewalls, 700 x 32c tires

DRIVETRAIN

Shimano Acera rear & M191 front derailleurs, Shimano Rapidfire Plus 3x8-speed shifters, Shimano triple, 48/38/28T crankset, SRAM PG 820 11-32T cassette, Tektro alloy linear-pull brakes with front power modulator and Shimano brake levers

COCKPIT

Jamis Urban handlebar, Jamis Road stem, Jamis alloy micro-adjust seatpost, Jamis Touring saddle, Anatomic double density kraton grips



Gloss Black



Sahara Silver



ALLEGRO

Musically speaking, Allegro means quick and lively. Which exactly characterizes the spirit of our Allegros: fitness bikes that are lively, quick and seriously fun to ride. Our Allegros blend the speed and efficiency of a road bike with the heads up riding position many people prefer. The combination of road bike drivetrains, flat bar shifters, lightweight aluminum frame and carbon fork means you can Gran Fondo it on the weekend, then race through traffic during the week.





Black Coal

ALLEGRO ELITE

FRAME

Triple-buttet 6061 aluminum with hydro-formed top and down tube, taper gauge "S" bend stays with disc brake post mounts, replaceable derailleur hanger and fender/rack mount eyelets

FORK

Carbon composite with alloy steerer, disc brake post mounts, low-rider carrier mounts and forged dropouts with fender mount eyelets

WHEELS

Alex ATD 470 disc rims with TCS (Tubeless Compatible System), 32H, Formula alloy hubs with QR and 14g stainless spokes, Vittoria Randonneur with Double Shield puncture protection and reflective sidewalls, 700 x 32c tires

DRIVETRAIN

Shimano Tiagra front & rear derailleurs, Shimano Tiagra 2x10-speed shifters, FSA Vero 50/34T crankset, Shimano 11-32T cassette, Tektro HD-M290 hydraulic disc brakes with 160mm SL wave style rotors and Tektro brake levers with reach adjust

COCKPIT

Jamis flat bar handlebars, Jamis adjustable threadless system stem, Jamis alloy micro-adjust seatpost, Selle Royal Seta S1 saddle, Anatomic double density kraton grips



Galaxy Grey

ALLEGRO COMP

FRAME

Triple-butted 6061 aluminum with hydro-formed top and down tube, taper gauge "S" bend stays, replaceable derailleur hanger and fender/rack mount eyelets

FORK

Jamis Road carbon composite with brake mounts, low-rider carrier mounts and forged dropouts with fender mount eyelets

WHEELS

Alex ID-19 double wall alloy rims with GSW sidewall, 28/32H, Formula alloy hubs with QR and 14g stainless steel spokes, Vittoria Randonneur with Double Shield puncture protection and reflective sidewalls, 700 x 32c tires

DRIVETRAIN

Shimano Sora front & rear derailleurs, Shimano Sora 2x9-speed shifters, FSA Tempo 50/34 crankset, SRAM PG-950 11-32T cassette, Tektro RX-10 linear-pull with front power modulator and Shimano brake levers

COCKPIT

Jamis flat bar handlebars, Jamis adjustable threadless system stem, Jamis alloy micro-adjust seatpost, Selle Royal Seta S1 saddle, Anatomic double density kraton grips

ALLEGRO SPORT

FRAME

6061 aluminum with hydro-formed top and down tube, taper gauge "S" bend stays, replaceable derailleur hanger and fender/rack mount eyelets

FORK

Chromoly straight blade unicrown with bulge butted chromoly steerer, low-rider carrier mounts and forged dropout with fender mount eyelets

WHEELS

Alex DC26 double wall alloy rims, 32H, Formula alloy hubs with QR and 14g stainless steel spokes, Vittoria Randonneur with Double Shield puncture protection and reflective sidewalls, 700 x 32c tires

DRIVETRAIN

Shimano Acera rear & M191 front derailleurs, Shimano Rapidfire 3x8-speed shifters, Shimano triple 48/38/28 crankset, SRAM PG 820 11-32T cassette, Tektro RX-1.0 linear-pull with front power modulator and Shimano brake levers

COCKPIT

Jamis flat bar handlebar, Jamis Trekking stem, Jamis alloy micro-adjust seatpost, Jamis Touring saddle, Anatomic double density kraton grips



Gloss Black



Orange Crush

ALLEGRO

FRAME

6061 aluminum with formed top and down tube, replaceable derailleur hanger and fender/rack mount eyelets

FORK

Hi-Ten tapered straight blade unicrown with bulge butted steerer, low-rider carry mounts and forged dropouts with fender mount eyelets

WHEELS

Alex Y-2000 alloy rims, 36H, alloy hubs with QR and 14g stainless steel spokes, CST C-1446, 700 x 32c with reflective sidewall tires

DRIVETRAIN

Shimano RD-TX55 rear & Shimano FD-TX51 front derailleurs, Shimano EZ-Fire Plus 3x7-speed shifters, Shimano triple, 48/38/28 crankset, Shimano MF-TZ31 14-34T cassette, ProMax TX-121 linear-pull with front power modulator and Shimano brake levers

COCKPIT

Jamis Riser bar handlebar, Jamis alloy hi-rise, quill type stem, Jamis alloy micro-adjust seatpost, Jamis Touring saddle, Anatomic double density kraton grips



Gloss Black



Cosmo Blue

DXT

The new DXT's are pumped-up, go-anywhere/do-anything versions of our Allegro fitness bikes. With more gearing range to take on steeper hills and tougher terrain. Wider tires with a trail-capable tread for access to more riding areas, both paved and packed. And disc brakes and suspension forks for real off-road exploration and off-pavement adventure.





Ano Grey

DXT ELITE

FRAME

Triple-buttressed 6061 aluminum with hydro-formed top and down tube, 1 1/8" head tube, new designed taper gauge "S" bend stays, seat stays and disc brake mounts, 34.9mm seat tube and fender/rack mount eyelets

FORK

SR/Suntour SF14-NCX-E-LO Air, magnesium lowers, All-in-One suspension cartridge, 30mm aluminum stanchions, 1 1/8" steerer, aluminum crown, hydraulic speed lockout with fixed rebound dampening and preload adjust, 63mm travel

WHEELS

Alex TD26 disc specific double wall alloy rims, 32H, Formula sealed bearing disc hubs and 14g stainless steel spokes, Ritchey Comp Speedmax Cross, 700 x 40c tires

DRIVETRAIN

Shimano Deore rear and Acera front derailleurs, Shimano Acera Rapidfire Plus 3x8-speed shifters, Shimano triple 48/36/26T crankset, Shimano 11-34T cassette, Tektro HD-M290 post mount hydraulic disc brakes with 160mm 6-bolt wave rotors and Tektro brake levers

COCKPIT

Jamis Riser bar handlebar, Jamis adjustable threadless system stem, Jamis alloy micro-adjust seatpost, Selle Royal M1 saddle, Anatomic double density kraton grips



Gun Metal

DXT COMP

FRAME

Triple-butted 6061 aluminum with hydro-formed top and down tube, 1 1/8" head tube, seat stays and disc brake mounts, replaceable derailleur hanger and fender/rack mount eyelets

FORK

SR/Suntour SF15-NVX HLO, aluminum lowers, coil spring, 28mm stanchions, 1-1/8" steerer, aluminum crown, hydraulic lockout, 75mm travel

WHEELS

Alex DC26 disc-specific double wall alloy rims, 32H, Formula disc hubs and 14g stainless steel spokes, Ritchey Comp Speedmax Cross, 700 x 40c tires

DRIVETRAIN

Shimano Altus rear & FD-M191 front derailleurs, Shimano Rapidfire 3x8-speed shifters, Shimano triple 48/38/28T crankset, Shimano 11-32T cassette, Tektro HD-M290 post mount hydraulic disc brakes with 160mm 6-bolt wave rotors and Tektro brake levers

COCKPIT

Jamis Riser bar handlebar, Jamis adjustable threadless system stem, Jamis alloy micro-adjust seatpost, Selle Royal M1 saddle, Anatomic double density kraton grips



Ano Silver

DXT SPORT

FRAME

6061 aluminum formed top and down tube, 1 1/8" head tube, seat stays disc brake mounts, 34.9mm seat tube, replaceable derailleur hanger, fender/rack mounts and ring lock mount eyelets

FORK

SR/Suntour SF15-NVX HLO, aluminum lowers, coil spring, 28mm stanchions, 1 1/8" steerer, hydraulic lockout, 75mm travel

WHEELS

Alex DC25 disc specific double wall alloy rims, 32H, alloy disc hubs with QR and 14g stainless steel spokes, CST C-1271 Dual Sport Tire, 700 x 40c tires

DRIVETRAIN

Shimano RD-TX55 rear & FD-TX51 front derailleurs, Shimano EZ-Fire Plus 3x7-speed shifters, Shimano triple, 48/38/28T crankset, Shimano MF-TZ31 14-34T cassette, Tektro MD-M280 cable actuated disc brakes with 160mm stainless 6-bolt rotors and Shimano brake levers

COCKPIT

Jamis Riser bar handlebar, Jamis Trekking stem, Jamis alloy micro-adjust seatpost, Jamis Touring saddle, Anatomic double density kraton grips

RECREATION BIKES





CITIZEN

Comfortable, enjoyable mobility: that's Citizen. This is the ultimate low-carbon-footprint, sight-seeing machine. It's a low-impact and fun workout for new cyclists and a zero-emissions way to get around town. We can't think of a better way to be a good Citizen.





Dakota Grey

CITIZEN 3

FRAME

6061 aluminum triple gauge main tubes with hydro-formed top tube, center-mount kickstand plate, replaceable derailleur hanger and fender/rack mount eyelets

FORK

RST Nova-ML suspension, coil spring & MCU, mechanical lockout, 60mm travel

WHEELS

Alex ID-19 double wall alloy rims with GSW sidewall, 32H, Formula alloy hubs with QR and 14g stainless steel spokes, CST Marathon/Tour with puncture-resistant casing and silver safety stripe, 700 x 38c tires

DRIVETRAIN

Shimano Acera rear & Shimano FD-M191 front derailleurs, Shimano Altus Rapid Fire 3x8-speed shifters, Shimano triple 48/38/28T crankset, SRAM 11-32T cassette, Tektro forged alloy linear-pull brakes with front power modulator and Tektro CL530 alloy brake levers with kraton insert

COCKPIT

Comfort hi-rise handlebars, Jamis alloy angle-adjustable stem, suspension alloy micro-adjust seatpost, Jamis Comfort saddle with memory foam, New anatomic triple density kraton grips

CITIZEN 2

FRAME

6061 aluminum triple gauge main tubes with hydro-formed top tube, center-mount kickstand plate, replaceable derailleur hanger and fender/rack mount eyelets

FORK

RST Neon-T suspension fork, coil spring with external preload adjustment, 60mm travel

WHEELS

Weinmann ZAC-19 double wall alloy rims, 32H, Formula alloy hubs with QR and 14g stainless steel spokes, CST Marathon/Tour with silver safety stripe, 700 x 38c tires

DRIVETRAIN

Shimano Altus rear & Shimano FD-M191 front derailleurs, Shimano EZ-Fire Plus 3x7-speed shifters, Shimano triple 48/38/28T crankset, Shimano MF-TZ31 14-34T cassette, Forged alloy linear-pull brakes with front power modulator and Shimano brake levers

COCKPIT

Comfort hi-rise handlebars, Jamis alloy angle-adjustable stem, suspension alloy micro-adjust seatpost, Jamis Comfort saddle with memory foam, New anatomic triple density kraton grips



Radiant Blue



Monterey Grey



CITIZEN 1

FRAME

Hi-Tensile steel frame, sloping design for men's, step through design for ladies, center-mount kickstand plate and fender/rack mount eyelets

FORK

Hi-tensile steel unicrown, radius blades with dropout eyelets

WHEELS

Alex alloy rims, 36H, Formula alloy hubs with QR and 14g stainless steel spokes, CST Marathon/Tour with silver safety stripe, 700 x 38c tires

DRIVETRAIN

Shimano Tourney TX55 rear & TX51 front derailleurs, Shimano Revoshift 3x7-speed shifters, Shimano triple 48/38/28T crankset, Shimano MF-TZ31 14-34T cassette, Forged alloy linear-pull brakes with Tektro CL530 ergonomic designed alloy brake levers with kraton insert

COCKPIT

Comfort hi-rise handlebar, Jamis alloy hi-rise stem, Jamis alloy micro-adjust seatpost, Jamis Comfort saddle, Anatomic triple density kraton grips



Gloss Black



Azurite Blue



HUDSON

Think of our Hudsons as part Explorer and part Earth Cruiser. Capable but cool. Casual but on it. We blended the flowing curves and shaped tubes of seemingly disparate platforms like our carbon Dakota 29'ers and our aluminum DXT's and came up with a smart frame design that rides comfortably, casually and efficiently while making a bold statement all at the same time.



HUDSON SPORT

FRAME

6061 TIG-welded aluminum, Hudson laid-back design with low ride height, internal cable routing, alloy kickstand

FORK

Hi-tensile unicrown with radiused blades

WHEELS

Alex DC25 alloy double-wall rims, alloy QR hubs, 14g black stainless steel spokes, Jamis Sport Comfort, 26 x 1.95 tires

DRIVETRAIN

Shimano TX55 rear derailleur with Revoshift 7-speed twist-shifter, forged alloy crankset, 42T, with pants guard & full-length chainguard, SureStop braking system with ProMax forged alloy direct pull brakes & Tektro alloy comfort lever

COCKPIT

Hi-rise comfort bar, short-reach/long quill alloy stem, alloy micro-adjust seatpost, Jamis Comfort saddle with memory foam & bumper springs



Gloss Black



Dakota Grey



Candy Apple

HUDSON EASY-3

FRAME

6061 TIG-welded aluminum, Hudson laid-back design with low ride height, alloy kickstand

FORK

Hi-tensile unicrown with radiused blades

WHEELS

Alex C1000 alloy rims, 36H, Shimano Nexus-3 rear and alloy front hub, 14g black stainless steel spokes, Jamis Sport Comfort, 26 x 1.95 tires

DRIVETRAIN

Shimano Nexus-3 internal gear hub, 22T cog, Revoshift 3-speed shifters, forged alloy crank, 42T, with pants guard & full-length chainguard, Shimano rear coaster brake

COCKPIT

Hi-rise comfort bar, short-reach/long quill alloy stem, alloy micro-adjust seatpost, Jamis Comfort saddle with extra foam padding & bumper springs



Blueberry



Dakota Grey



HUDSON EASY

FRAME

6061 TIG-welded aluminum, Hudson laid-back design with low ride height, alloy kickstand

FORK

Hi-tensile unicrown with radiused blades

WHEELS

Alex C1000 alloy rims, 36H, Formula alloy QR hubs, 14g black stainless steel spokes, Jamis Sport Comfort, 26 x 1.95 tires

DRIVETRAIN

Alloy cotterless crank & 42T chainwheel with pants guard & full-length chainguard, 18t single-speed rear cog, Hi-Stop rear coaster brake

COCKPIT

Hi-rise comfort bar, short-reach/long quill alloy stem, alloy micro-adjust seatpost, Jamis Comfort saddle with extra foam padding & bumper springs



Gloss Black



Lime Green



EXPLORER

The Explorer has been one of our best-selling bikes, ever since its introduction in 1982. Originally designed as a mountain bike, the Explorer has since evolved into a very practical and very comfortable sport comfort bike. Inspired in part by our Hudsons and Citizens, without sacrificing the versatile on or off-road competence of the original Explorer, the newest generation Explorer is all about getting the most fun out of the ride, in STYLE, with performance and comfort features that make getting around so effortless it hardly feels like exercise.



EXPLORER 2

FRAME

6061 TIG-welded aluminum, all-new sport comfort design with low-standover/upright ride position, center-mount kickstand bracket

FORK

RST Capa-T coil-spring suspension with external preload, alloy crown, CP stanchions, mini-boots, 50mm travel

WHEELS

Alex DC-25 double-wall alloy rims, 32H, alloy hubs with QR, 14g stainless steel spokes, Jamis Sport Comfort, 26 x 1.95, with puncture resistant casing

DRIVETRAIN

Shimano Altus M310 rear & M191 front derailleurs, Revoshift 21-speed shifters, Shimano M171 forged alloy crank, 48/38/28T, with pants guard, Tektro forged alloy direct pull brakes with Tektro Tenera alloy levers

COCKPIT

Hi-rise comfort bar, hi-rise stem, suspension seatpost, Jamis Comfort saddle with memory foam & bumper springs



Radiant Blue



Dakota Grey

EXPLORER 1

FRAME

All-new sport comfort design, hi-tensile steel with low-standover/upright ride position, center-mount kickstand bracket

FORK

Coil-spring suspension, alloy crown, chrome-plated stanchions, mini boots, 60mm travel

WHEELS

Alex C-1000 alloy rims, 36H, with Formula alloy hubs, QR front and rear, 14g stainless steel spokes, Jamis Sport Comfort, 26 x 1.95 tires

DRIVETRAIN

SRAM X 1:1 rear & Shimano M191 front derailleurs, SRAM 3.0 Comp ESP 21-speed twist-shift, SR XCC 48/38/28T crank with pants guard, ProMax alloy direct pull brakes with Tektro Tenera levers

COCKPIT

Hi-rise comfort bar, adjustable-rise alloy stem, suspension seatpost, Jamis Comfort saddle with bumper springs



Gloss Black



Cosmo Blue

TRAIL XR

The Trail XR is built for the rider looking for quality, versatility and affordability in a bike that can handle city streets, rail trails, campus short cuts and suburban cul-de-sacs with comfort and confidence. Inspired by our Trail X mountain bikes, but tuned for everyday 'round-town regular riding, the XR is the perfect fat-tired solution for the buyer on a budget.



TRAIL XR

FRAME

Hi-tensile carbon steel tubes

FORK

Uncrown, hi-tensile steel, with over-sized radiused blades

WHEELS

Alloy 26 x 1.50" 36H rims, heavy-duty ATB hubs with QR, stainless spokes, Kenda 50-Fifty, 26 x 1.95" tires

DRIVETRAIN

SRAM X3 rear & Shimano TZ30 front derailleurs, SRAM 3.0 Grip Shift 3x7-shifters, forged alloy crankset, 42/34/24T, indexed 13-28T freewheel, alloy linear pull type brakes with Shimano levers

COCKPIT

Jamis XC riser handlebar, Jamis alloy stem, Jamis alloy micro-adjust seatpost, Jamis ATB Sport saddle



Electric Blue



Ano Black



CRUISERS

We designed our Earth Cruisers to be kinder, gentler versions of our sport comfort Explorers. They're simplified with easy-to-use one or three-speed coaster brake drivetrains without the complications of derailleurs or hand brakes to fiddle around with. In spite of their name, they're not just for riding at the beach. They're for any rider anywhere looking for a simple, lightweight, low-maintenance, good looking bike they can casually and comfortably pedal around town all day, every day.



EARTH CRUISER 3

FRAME

6061 PG aluminum main tubes, contemporary cruiser design, with chainguard and alloy kickstand

FORK

Hi-tensile steel unicrown with straight blades

WHEELS

Alex Zuma 26 x 1.75 alloy rims, 36H & Shimano 3-speed coaster brake rear hubs, 14g stainless steel spokes, Jamis Cruiser tires 26 x 2.125

DRIVETRAIN

Shimano Nexus 3-speed rear hub with 23t cog, alloy crank with alloy compact disc 44T chainwheel, alloy comfort pedals with TPE non-slip insert, Shimano rear coaster brake

COCKPIT

Jamis Cruise Control Comfort bar, long quill alloy stem, micro-adjust alloy seat post, Earth Cruiser comfort saddle with memory foam



Mash Metallic

EARTH CRUISER 1

FRAME

6061 PG aluminum main tubes, contemporary cruiser design, with chainguard and alloy kickstand

FORK

Hi-tensile steel unicrown with straight blades

WHEELS

Alex Zuma 26 x 1.75 alloy rims, 36H, & Hi-Stop coaster brake rear hub, 14g stainless steel spokes, Jamis Cruiser tires 26 x 2.125

DRIVETRAIN

Alloy crank, 44T compact disc chainwheel, 18t rear cog, cruiser comfort pedals with TPE non-slip insert, Hi-Stop rear coaster brake

COCKPIT

Jamis Cruise Control Comfort bar, long quill alloy stem, micro-adjust alloy seat post, Earth Cruiser comfort saddle with memory foam



Monterey Blue

EARTH CRUISER 2

FRAME

Contemporary cruiser design, hi-tensile steel, with chainguard and alloy kickstand

FORK

Hi-tensile steel unicrown with straight blades

WHEELS

Alex Zuma 26 x 1.75 alloy rims, 36H & Hi-Stop coaster brake rear hubs, 14g stainless steel spokes, Jamis Cruiser tires, 26 x 2.125

DRIVETRAIN

Forged 1-pc steel crank with compact disc 44T chainwheel, 18t rear cog, cruiser comfort pedals with TPE non-slip insert, Hi-Stop rear coaster brake

COCKPIT

Jamis Cruise Control Comfort bar, long quill alloy stem, micro-adjust alloy seat post, Earth Cruiser comfort saddle



Electric Blue



Gloss Black



Sunset Red



Goldenrod



Kiwi



Sunset Red



Gloss Black

TAXI

FRAME

6061 PG aluminum main tubes and single loop stays with trailing plate type dropout, includes chainguard, alloy kickstand & Ritchey Design rubber headset cover

FORK

Oversized, hi-tensile steel unicrown with tubular blades, leading dropout and fender bosses

WHEELS

Alex X303 26 x 1.75 alloy rims, 36H, & Shimano coaster brake rear hubs, 12g stainless steel spokes, Jamis Cruiser tires, 26 x 2.125, with thorn-proof tubes

DRIVETRAIN

Alloy crank with alloy compact disc 44T chainwheel, Shimano 18T rear cog, KMC Rust-Buster chain, sealed cartridge BB, Shimano rear coaster brake

COCKPIT

Jamis Cruise Control Comfort bar, long quill alloy stem, alloy seat pillar with plug & cromoly QR, Taxi saddle with heavy-duty struts & extra-thick vinyl cover

BOSS CRUISER 7-SPEED

FRAME

6061 PG aluminum main tubes and single loop stays with trailing plate type dropout, with chainguard and alloy kickstand

FORK

Oversized, hi-tensile steel unicrown with tubular blades, leading dropout and fender bosses

WHEELS

Alex X303 26 x 1.75 alloy rims, 36H, with alloy front & rear hubs, 14g stainless steel spokes, Jamis Cruiser tires, 26 x 2.125

DRIVETRAIN

Shimano Tourney TX-51 rear derailleur with Revoshift 7-speed twist shifter & 14-28 freewheel, alloy crank, 44T compact disc chainwheel, Tektro forged alloy direct pull brakes with Tektro Tenera alloy levers

COCKPIT

Jamis Cruise Control comfort bar, alloy hi-rise stem, micro-adjust alloy seat post, Boss quilted saddle



Monterey Grey

BOSS CRUISER COASTER

FRAME

6061 PG aluminum main tubes and single loop stays with trailing plate type dropout, with chainguard and alloy kickstand

FORK

Oversized, hi-tensile steel unicrown with tubular blades, leading dropout and fender bosses

WHEELS

Alex Zuma 26 x 1.75 alloy rims, 36H, with alloy front & Hi-Stop coaster brake rear hubs, 14g stainless steel spokes, Jamis Cruiser tires, 26 x 2.125

DRIVETRAIN

Alloy crank, 44T compact disc chainwheel, 18t rear cog, cruiser comfort pedals with TPE non-slip insert, Hi-Stop rear coaster brake

COCKPIT

Jamis Cruise Control comfort bar, alloy hi-rise stem, micro-adjust alloy seat post, Boss quilted saddle



Monterey Blue

YOUTH

With the right start, cycling can be a lifelong pursuit—we know it's true because that's how it worked out for every one of us here at Jamis. We know just how important that first bike can be, and that's why our kids' bikes are some of the most important bikes we design and build—because if we've done this right, that first riding experience will be so fun it'll carry through for the rest of their lives.





DAKAR X.26

FRAME

6061 aluminum tubes with gusseted down tube and asymmetrical chainstays, fully-active/mp2 suspension with 90mm rear travel, Rock Shox Monarch R air shock with rebound damping, replaceable derailleur hanger

FORK

Rock Shox XC30 TK, Coil spring, external rebound, TurnKey lockout, 30mm stanchions, 100mm travel

WHEELS

Alex TD25 double-wall disc-specific rims w/reinforced spoke bed, 32H, Formula alloy disc hubs, stainless steel spokes, Vittoria AKA 26 x 2.2 tires

DRIVETRAIN

Shimano Acera rear & M313 front derailleurs, Shimano M310 3x8 shifters, Shimano M311 crankset 42/32/22T, Shimano HG-31 11-32T cassette, Tektro Auriga WS hydraulic disc brakes w/160mm rotors

COCKPIT

Jamis XC alloy riser handlebar, Jamis XC alloy stem, Jamis alloy micro-adjust seatpost, WTB Volt Sport 250 saddle, Dual compound grips



Gloss Black

X.26 DISC

FRAME

6061 aluminum main tubes, radiused top tube, 34.9mm over-sized seat tube, replaceable derailleur hanger

FORK

RST Gila 26, coil spring, external preload adjustor, 28mm stanchions, aluminum lowers, 80mm travel

WHEELS

Alex TD25 double-wall disc-specific rims with reinforced spoke bed, 32H, 6-bolt disc hubs, stainless spokes, Jamis TX 26 x 1.95 tires

DRIVETRAIN

Shimano TX800 rear & M190 front derailleurs, Shimano TX800 3x8 shifters, SR Suntour XCC alloy crankset 42/34/24T, Shimano 12-32T cassette, Tektro Aires mechanical disc brakes with 160mm rotors

COCKPIT

Jamis XC riser handlebar, Jamis XC alloy threadless stem, Jamis alloy micro-adjust seatpost, Jamis ATB Sport saddle



Pink Inferno



Victory Red



Black Jack

X.26

FRAME

6061 aluminum main tubes, radiused top tube, 34.9mm over-sized seat tube, replaceable derailleur hanger

FORK

RST Gila 26, coil spring, external preload adjustor, 28mm stanchions, aluminum lowers, 80mm travel

WHEELS

Double-wall DA-16 alloy rims, 36H, heavy-duty ATB hubs, stainless spokes, Jamis TX 26 x 1.95 tires

DRIVETRAIN

Shimano Tourney TX-35 rear & TX50 front derailleurs, Shimano EF41 3x7 shifters, forged alloy crankset, 42/34/24T, Shimano TZ31 14-34T freewheel, alloy linear pull type brakes with Shimano levers

COCKPIT

Jamis XC riser handlebar, Jamis XC alloy threadless stem, Jamis alloy micro-adjust seatpost, Jamis ATB Sport saddle



Ano Black



Pure White



Slime Green

X.24

FRAME

6061 aluminum, Enduro frame design

FORK

Suspension, 25.4 stanchions, coil spring, 45mm travel

WHEELS

Black anodized alloy rims, nutted-axle hubs, nickel plated spokes, CST ATB knobbies, 24 x 1.95 tires

DRIVETRAIN

Shimano TX35 rear & TZ31 front derailleurs, Revoshift 14-speed twist shifters, alloy 32/22 crankset with outer rock-ring guard, alloy direct pull brakes and levers

COCKPIT

Riser bar, threadless alloy shorty stem, alloy micro-adjust seatpost, Jamis XC saddle



Lilac



Ano Black



Pure White

X.20

FRAME

6061 aluminum, Enduro frame design

FORK

Suspension, 25.4mm stanchions, coil spring, 40mm travel

WHEELS

Black anodized alloy rims, 36H hubs, nickel plated spokes, CST ATB knobbie, 20 x 2.0 tires

DRIVETRAIN

Shimano TX35 rear derailleur, Shimano Revoshift 6-speed twist shifter, alloy crankset with single ring & double-side guard, alloy direct pull brakes and levers

COCKPIT

Riser bar, threadless adjustable alloy stem, alloy micro-adjust seatpost, Jamis XC saddle



Raspberry



Ano Black



Electric Blue

LASER 20

FRAME

6061 aluminum, MX-Moto frame design with full wrap chainguard and kickstand

FORK

Hi-tensile steel unicrown with straight blades

WHEELS

Black anodized alloy rims, heavy-duty 36H hubs, nickel plated spokes, CST Dirt Knobbie tires, 20 x 2.125

DRIVETRAIN

Cold forged 5 1/2" crank with windmill chainring, 36 x 18t gearing, rear coaster brake and rear alloy V-brake with alloy lever

COCKPIT

BMX bars, 150 x 580mm, Jr BMX padded saddle and safety bell



Victory Red



Gloss Black

LASER 16

FRAME

MX-Moto frame design, hi-tensile carbon steel tubes with full wrap chainguard and training wheels

FORK

Hi-tensile steel unicrown with straight blades

WHEELS

Powder coated steel rims, 28H hubs, nickel plated spokes, CST Dirt Knobbie tires, 16 x 2.125

DRIVETRAIN

Cold forged 4 1/2" crank with windmill chainring, 36 x 18t gearing, rear coaster brake

COCKPIT

BMX bars, 140 x 560mm, Jr BMX padded saddle and safety bell



Electric Blue



Lime

CAPRI 24

FRAME

6061 aluminum, comfort frame design with full wrap chainguard, fenders and kickstand

FORK

Hi-tensile steel unicrown

WHEELS

Black anodized alloy rims, 36H hubs, nickel plated spokes, Brooklyn Speedway whitewall tires, 24 x 2.125

DRIVETRAIN

Shimano TX35 rear derailleur, Shimano Revoshift 7-speed twist shifter, alloy crankset with single chainring, alloy direct pull brakes and levers

COCKPIT

Hi-rise comfort stem, comfort-type riser bar, youth comfort saddle



Ocean Mist



Plum Purple

CAPRI 20

FRAME

6061 aluminum, comfort frame design with full wrap chainguard, fenders and kickstand

FORK

Hi-tensile steel unicrown

WHEELS

Black anodized alloy rims, 36H hubs, nickel plated spokes, Brooklyn Speedway whitewall tires, 20 x 2.125

DRIVETRAIN

Shimano TX31 rear derailleur, Shimano Revoshift 6-speed twist shifters, alloy crankset with single chainring, alloy direct pull brakes and levers

COCKPIT

Hi-rise comfort stem, comfort-type riser bar, youth comfort saddle



Raspberry

STARLITE 20

FRAME

Comfort step-thru frame design, lightweight 6061 aluminum tubing, with full-length chainguard, painted fenders and training wheels

FORK

Hi-tensile steel unicrown

WHEELS

Alloy 36H rims with steel front and Hi-Stop coaster brake rear hubs, 14G nickel-plated spokes, Brooklyn Speedway tires, 20 x 2.125

DRIVETRAIN

Cold forged 5 1/2" crank with windmill chainring, 36 x 18t gearing, rear coaster brake and rear alloy V-brake with alloy lever

COCKPIT

Swept-back comfort handlebar, electro-plated black finish, with safety bell
Jamis Youth Comfort with embossed vinyl and single loop springs



Violet



Celery

MISS DAISY 16

FRAME

Comfort step-thru frame design, Hi-Ten tubing, with full-length chainguard, painted fenders and training wheels

FORK

Hi-tensile steel unicrown

WHEELS

Electro-plated black steel 28H rims, steel front and Hi-Stop coaster brake rear hubs, 14G nickel-plated spokes, Brooklyn Speedway tires, 16 x 2.125

DRIVETRAIN

Cold-forged steel, electro-plated black finish, 4 1/2" arms, 36T chainring, Hi-Stop rear coaster brake

COCKPIT

Swept-back comfort handlebar, electro-plated black finish, with safety bell
Jamis Youth Comfort with embossed vinyl and single loop springs



Raspberry



Lavender Pearl

HOT ROD 12

FRAME

Low stand-over Y-style frame design with full wrap chainguard, fenders and training wheels

FORK

Hi-tensile steel unicrown with straight blades

WHEELS

Powder coated steel rims, ball-bearing'ed 16H hubs, nickel plated spokes, CST Sidewalk tires, 12 x 2.125

DRIVETRAIN

Cold-forged 3 1/2" crank with 5-arm chainring, 28 x 16t gearing, rear coaster brake

COCKPIT

Alloy stem, mid-rise bars with comfort sweep, Jr. BMX saddle, safety pad and bell



Victory Red

LADYBUG 12

FRAME

Low stand-over Y-style frame design with full wrap chainguard, fenders, and training wheels

FORK

Hi-tensile steel unicrown with straight blades

WHEELS

Electro-plated steel rims, ball-bearing'ed 16H hubs, nickel plated spokes, CST Sidewalk tires, 12 x 2.125

DRIVETRAIN

Cold-forged 3 1/2" crank with 5-arm chainring, 28 x 16t gearing, rear coaster brake

COCKPIT

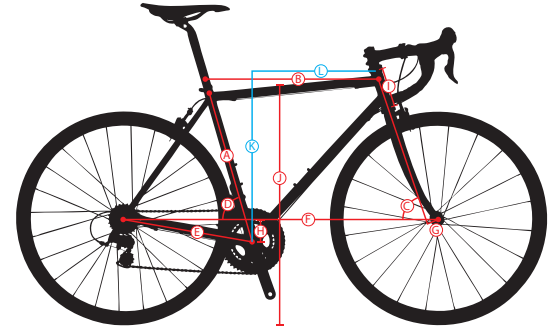
Alloy stem, mid-rise bars with comfort sweep, Lil' girls comfort saddle, safety pad and bell



Raspberry

JAMIS GEOMETRY

- A = Size
- B = Effective TT Length
- C = Head Tube Angle
- D = Seat Tube Angle
- E = Chainstay
- F = Wheelbase
- G = Fork Rake
- H = Bottom Bracket Drop/Height
- I = Head Tube
- J = Standover
- K = Stack
- L = Reach



MODEL	SIZE	EFFECTIVE TT LENGTH	HT ANGLE	ST ANGLE	CHAINSTAY	WHEELBASE	BB DROP	HEADTUBE	STANDOVER	STACK	REACH
MOUNTAIN											
DEFCON 1/2/3	15	22.4 / 570	66.5°	73.5°	17.1 / 435	44.3 / 1126	0.3 / 7	3.9 / 100	28.3 / 719	23.0 / 584	15.5 / 394
	17	23.4 / 595	66.5°	73.5°	17.1 / 435	45.3 / 1151	0.3 / 7	4.3 / 110	29.6 / 751	23.4 / 593	16.3 / 415
	19	24.4 / 620	66.5°	73.5°	17.1 / 435	46.3 / 1176	0.3 / 7	4.7 / 120	30.9 / 784	23.7 / 593	17.2 / 436
DAKAR XCT TEAM / RACE	21	25.4 / 645	66.5°	73.5°	17.1 / 435	46.9 / 1191	0.3 / 7	5.1 / 130	32.2 / 817	24.1 / 611	18.0 / 457
	15	22.2 / 565	69°	73°	17.7 / 450	43.2 / 1096	0.5 / 13	4.5 / 115	30.9 / 785	23.23 / 590	15.08 / 383
	17	23.0 / 585	69°	73°	17.7 / 450	44.1 / 1119	0.5 / 13	4.7 / 120	31.7 / 806	23.43 / 595	15.83 / 402
DAKAR XCT PRO / COMP	19	23.8 / 605	69°	73°	17.7 / 450	44.7 / 1137	0.5 / 13	5.5 / 140	32.7 / 830	24.13 / 613	16.38 / 416
	21	24.6 / 625	69°	73.5°	17.7 / 450	45.4 / 1154	0.5 / 13	5.9 / 150	33.9 / 860	24.53 / 623	17.24 / 438
	15	22.2 / 565	69°	73°	17.7 / 450	43.4 / 1101	0.5 / 13	4.5 / 115	30.7 / 780	23.23 / 590	15.08 / 383
DAKAR XCT PRO / COMP	17	23.0 / 585	69°	73°	17.7 / 450	44.1 / 1121	0.5 / 13	4.7 / 120	31.7 / 806	23.43 / 595	15.83 / 402
	19	23.8 / 605	69°	73°	17.7 / 450	45.0 / 1143	0.5 / 13	5.5 / 140	32.7 / 830	24.13 / 613	16.38 / 416
	21	24.6 / 625	69°	73.5°	17.7 / 450	46.0 / 1169	0.5 / 13	5.9 / 150	33.9 / 863	24.53 / 623	17.24 / 438
DRAGON 27.5 PRO / SPORT	15	22.2 / 565	68°	73°	16.7 / 425	42.1 / 1070	1.5 / 39	3.4 / 85	29.9 / 759	23.1 / 587	15.2 / 385
	17	23.0 / 584	68°	73°	16.7 / 425	42.9 / 1090	1.5 / 39	3.5 / 90	31.3 / 794	23.4 / 591	15.9 / 403
	19	23.8 / 603	68°	73°	16.7 / 425	43.7 / 1110	1.5 / 39	4.3 / 110	32.7 / 830	24.0 / 610	16.4 / 416
DRAGON 29 SPORT	21	24.4 / 620	68°	73°	16.7 / 425	44.5 / 1131	1.5 / 39	5.8 / 148	34.4 / 873	25.4 / 645	16.6 / 422
	15	22.7 / 576	68.5°	73°	17.1 / 435	42.9 / 1089	2.2 / 55	3.7 / 95	30.2 / 768	24.1 / 613	15.1 / 384
	17	23.6 / 600	68.5°	73°	17.1 / 435	43.9 / 1114	2.2 / 55	3.9 / 100	31.8 / 807	24.8 / 631	16.0 / 407
DRAGON 29 SPORT	19	24.4 / 620	68.5°	73°	17.1 / 435	44.7 / 1135	2.2 / 55	4.3 / 110	33.1 / 840	25.2 / 641	16.7 / 424
	21	25.2 / 640	68.5°	73°	17.1 / 435	45.5 / 1156	2.2 / 55	5.1 / 130	34.5 / 876	25.9 / 659	17.3 / 439
	15	22.2 / 565	68°	73°	16.7 / 425	42.3 / 1075	1.5 / 39	3.9 / 100	29.0 / 738	23.3 / 591	15.1 / 384
KOMODO	17	23.0 / 585	68°	73°	16.7 / 425	43.2 / 1096	1.5 / 39	3.9 / 100	30.0 / 762	23.3 / 591	15.9 / 404
	19	23.8 / 605	68°	73°	16.7 / 425	44.0 / 1118	1.5 / 39	4.7 / 120	31.0 / 787	24.0 / 609	16.5 / 419
	21	24.4 / 620	68°	73°	16.7 / 425	44.7 / 1134	1.5 / 39	5.1 / 130	32.0 / 813	24.4 / 619	17.0 / 431
DRAGONSLAYER	15	22.8 / 580	68°	73°	17.1 / 435	43.5 / 1106	2.0 / 50	3.2 / 80	30.0 / 762	23.9 / 608	15.5 / 394
	17	23.6 / 600	68°	73°	17.1 / 435	44.4 / 1128	2.0 / 50	3.9 / 100	31.5 / 800	24.6 / 626	16.0 / 408
	19	24.4 / 620	68°	73°	17.1 / 435	45.2 / 1149	2.0 / 50	4.3 / 110	32.8 / 834	25.0 / 635	16.7 / 425
ROUGHNECK	21	25.2 / 640	68°	73°	17.1 / 435	46.1 / 1170	2.0 / 50	5.1 / 130	34.3 / 870	25.7 / 653	17.3 / 439
	15	22.8 / 580	69°	73°	17.9 / 457	44.0 / 1118	2.4 / 60	3.9 / 100	29.3 / 744	23.1 / 586	15.8 / 401
	17	23.6 / 600	69°	73°	17.9 / 457	44.8 / 1139	2.4 / 60	4.3 / 110	30.7 / 779	23.5 / 596	16.5 / 418
ROUGHNECK	19	24.4 / 620	69°	73°	17.9 / 457	45.7 / 1160	2.4 / 60	4.9 / 125	32.1 / 816	24.0 / 610	17.1 / 434
	21	25.2 / 640	69°	73°	17.9 / 457	46.5 / 1181	2.4 / 60	5.5 / 140	33.5 / 850	24.6 / 624	17.7 / 449
	15	22.2 / 563	71°	74°	17.9 / 455	42.8 / 1086	1.4 / 35	4.1 / 105	31.2 / 793	23.4 / 594	15.4 / 391
DAKAR XCR TEAM / PRO	17	23.0 / 585	71°	74°	17.9 / 455	43.4 / 1103	1.4 / 35	4.3 / 110	31.6 / 803	23.6 / 599	16.2 / 412
	19	24.0 / 610	71°	74°	17.9 / 455	44.6 / 1133	1.4 / 35	4.3 / 110	31.9 / 812	23.6 / 599	17.2 / 437
	21	24.7 / 627	71°	74°	17.9 / 455	45.3 / 1150	1.4 / 35	4.7 / 120	32.3 / 821	23.9 / 608	17.7 / 450
DAKAR XCR29 COIMP / SPORT	15	22.2 / 563	71°	74°	17.9 / 455	42.8 / 1086	1.4 / 35	4.1 / 105	30.9 / 785	23.4 / 594	15.4 / 391
	17	23.0 / 585	71°	74°	17.9 / 455	43.6 / 1108	1.4 / 35	4.3 / 110	31.1 / 790	23.6 / 599	16.2 / 412
	19	24.0 / 610	71°	74°	17.9 / 455	44.6 / 1133	1.4 / 35	4.3 / 110	31.3 / 795	23.6 / 599	17.2 / 437
DAKOTA TEAM / PRO / RACE	21	24.7 / 627	71°	74°	17.9 / 455	45.3 / 1150	1.4 / 35	4.7 / 120	31.5 / 801	23.9 / 608	17.7 / 450
	15	22.6 / 575	70.5°	73°	17.2 / 438	42.0 / 1086	22.8 / 58	3.9 / 100	29.6 / 752	23.9 / 608	15.9 / 389
	17	23.6 / 600	70.5°	73°	17.2 / 438	42.8 / 1088	22.8 / 58	4.3 / 110	29.7 / 755	24.3 / 618	16.1 / 410
DAKOTA TEAM / PRO / RACE	19	24.4 / 620	70.5°	73°	17.2 / 438	43.8 / 1112	22.8 / 58	4.53 / 115	30.4 / 773	24.5 / 623	16.9 / 430
	21	25.2 / 640	70.5°	73°	17.2 / 438	44.6 / 1132	22.8 / 58	5.1 / 130	32.2 / 817	25.1 / 638	17.5 / 445

MODEL	SIZE	EFFECTIVE TT LENGTH	HT ANGLE	ST ANGLE	CHAINSTAY	WHEELBASE	FORK RAKE	BB DROP	HEADTUBE	STANDOVER	STACK	REACH
MOUNTAIN												
DAKOTA COMP / SPORT	15	22.6 / 575	70.5°	73°	17.3 / 440	42.1 / 1069		22.8 / 58	3.9 / 100	29.6 / 752	23.9 / 608	15.3 / 389
	17	23.6 / 600	70.5°	73°	17.3 / 440	43.1 / 1094		22.8 / 58	4.3 / 110	31.0 / 788	24.3 / 618	16.1 / 410
	19	24.4 / 620	70.5°	73°	17.3 / 440	43.9 / 1115		22.8 / 58	4.5 / 115	32.4 / 822	24.5 / 623	16.9 / 430
	21	25.2 / 640	70.5°	73°	17.3 / 440	44.7 / 1135		22.8 / 58	5.1 / 130	33.7 / 856	25.1 / 638	17.5 / 445
NEMESIS TEAM / PRO / RACE	15	22.1 / 560	70°	72.5°	17.1 / 435	41.1 / 1045		1.7 / 42.5	3.9 / 100	29.5 / 750	22.9 / 582	14.6 / 371
	17	23.0 / 585	70°	72.5°	17.1 / 435	42.1 / 1070		1.7 / 42.5	4.3 / 110	30.9 / 785	23.3 / 591	15.5 / 393
	19	23.8 / 605	70°	72.5°	17.1 / 435	43.0 / 1091		1.7 / 42.5	5.1 / 130	31.4 / 797	24.0 / 610	16.0 / 407
	21	24.6 / 625	70°	72.5°	17.1 / 435	43.8 / 1112		1.7 / 42.5	5.5 / 140	32.1 / 815	24.4 / 619	16.7 / 424
NEMESIS COMP / SPORT	15	22.1 / 560	70°	72.5°	17.1 / 435	41.3 / 1048		1.8 / 46	3.9 / 100	28.9 / 736	23.0 / 585	14.8 / 375
	17	23.0 / 585	70°	72.5°	17.1 / 435	42.2 / 1073		1.8 / 46	4.3 / 110	30.4 / 771	23.4 / 595	15.6 / 397
	19	23.8 / 605	70°	72.5°	17.1 / 435	43.1 / 1094		1.8 / 46	5.1 / 130	31.6 / 802	24.2 / 613	16.2 / 411
	21	24.6 / 625	70°	72.5°	17.1 / 435	43.9 / 1115		1.8 / 46	5.5 / 140	32.9 / 835	24.5 / 623	16.8 / 428
DAKAR XC	15	22.2 / 565	70°	74°	17.5 / 445	42.9 / 1089		0.94 / 24	3.9 / 100	30.1 / 765		
	17	23.0 / 585	70°	74°	17.5 / 445	43.7 / 1110		0.94 / 24	4.3 / 110	31.0 / 787		
	19	23.8 / 605	70°	74°	17.5 / 445	44.5 / 1130		0.94 / 24	4.7 / 120	32.5 / 825		
	21	24.6 / 625	70°	74°	17.5 / 445	45.3 / 1151		0.94 / 24	5.1 / 130	32.6 / 828		
DURANGO EXPERT / COMP / SPORT	15	22.4 / 570	71°	73°	17.7 / 450	42.2 / 1070		2.2 / 57	4.1 / 105	30.3 / 770		
	17	23.2 / 590	71°	72.5°	17.7 / 450	42.7 / 1084		2.2 / 57	4.3 / 110	31.3 / 795		
	19	24.0 / 610	70°	72°	17.7 / 450	43.7 / 1109		2.2 / 57	4.3 / 110	32.5 / 825		
	21	24.6 / 635	70°	72°	17.7 / 450	44.7 / 1134		2.2 / 57	4.7 / 120	33.5 / 850		
TRAIL X EXPERT, COMP, SPORT	15	22.0 / 559	70°	72.5°	17.1 / 435	41.3 / 1048		1.8 / 46	3.9 / 100	28.7 / 729		
	17	23.3 / 585	70°	72.5°	17.1 / 435	42.3 / 1075		1.8 / 46	4.3 / 110	30.2 / 766		
	19	23.8 / 605	70°	72.5°	17.1 / 435	43.1 / 1095		1.8 / 46	5.1 / 130	31.2 / 796		
	21	24.6 / 625	70°	72.5°	17.1 / 435	43.9 / 1116		1.8 / 46	5.5 / 140	32.6 / 829		
HALO XCT	14"	21.2 / 540	69°	74°	17.7 / 450	42.9 / 1090		0.5 / 13	3.9 / 100	29.0 / 737	22.7 / 576	14.9 / 378
	16"	22.1 / 560	69°	74°	17.7 / 450	43.5 / 1106		0.5 / 13	4.3 / 110	29.7 / 755	23.0 / 585	15.4 / 390
	18"	22.9 / 580	69°	74°	17.7 / 450	44.4 / 1127		0.5 / 13	4.7 / 120	30.7 / 779	23.4 / 595	16.0 / 407
HALO XC	14"	21.2 / 540	70°	74°	17.5 / 445	41.9 / 1064		0.94 / 24	3.9 / 100	29.0 / 738		
	16"	22.1 / 560	70°	74°	17.5 / 445	42.7 / 1085		0.94 / 24	4.1 / 105	29.9 / 761		
	18"	22.9 / 580	70°	74°	17.5 / 445	43.5 / 1105		0.94 / 24	4.3 / 110	31.1 / 791		
DRAGONFLY	14"	21.3 / 540	68°	73°	16.7 / 425	41.1 / 1043		1.7 / 44	3.2 / 80	28.4 / 721	23.1 / 587	14.2 / 360
	16"	22.0 / 560	68°	73°	16.7 / 425	41.9 / 1064		1.7 / 44	3.3 / 85	28.4 / 721	23.3 / 592	14.9 / 379
	18"	22.8 / 580	68°	73°	16.7 / 425	42.7 / 1084		1.7 / 44	3.5 / 90	29.5 / 749	23.5 / 596	15.6 / 397
EDEN RACE / COMP	14"	21.2 / 540	70°	72.5°	17.1 / 435	40.5 / 1028		1.8 / 46	3.9 / 100	28.7 / 728	23.0 / 585	14.0 / 355
	16"	22.1 / 560	70°	72.5°	17.1 / 435	41.3 / 1048		1.8 / 46	3.9 / 100	29.8 / 751	23.0 / 585	14.8 / 375
	18"	22.9 / 580	70°	72.5°	17.1 / 435	42.1 / 1068		1.8 / 46	4.3 / 110	30.7 / 779	23.4 / 595	15.4 / 392
HELIX / SPORT	12"	21.2 / 540	70°	72.5°	17.1 / 435	40.5 / 1029		1.8 / 46	4.1 / 105	26.3 / 668		
	14"	22.1 / 560	70°	72.5°	17.1 / 435	41.3 / 1050		1.8 / 46	4.3 / 110	27.7 / 704		
	18"	22.9 / 580	70°	72.5°	17.1 / 435	42.1 / 1070		1.8 / 46	4.7 / 120	28.9 / 731		
ROAD												
XENITH TEAM / PRO / RACE / COMP	48	20.27 / 515	71.5°	73°	15.94 / 405	37.20 / 958	1.97 / 50	2.67 / 68	3.94 / 100	28.07 / 713	19.53 / 496	14.29 / 363
	51	20.83 / 529	72°	73°	15.94 / 405	38.15 / 969	1.97 / 50	2.67 / 68	4.72 / 120	29.17 / 741	20.35 / 517	14.61 / 371
	54	21.42 / 544	73°	73°	15.94 / 405	38.07 / 967	1.69 / 43	2.67 / 68	5.51 / 140	30.08 / 764	21.34 / 542	14.88 / 378
	56	22.24 / 565	73°	73°	15.94 / 405	38.90 / 988	1.69 / 43	2.67 / 68	6.30 / 160	30.71 / 780	22.09 / 561	15.51 / 394
	58	22.83 / 580	73°	73°	15.94 / 405	39.49 / 1003	1.69 / 43	2.67 / 68	7.09 / 180	31.38 / 797	22.83 / 580	15.83 / 402
	61	23.23 / 590	73°	73°	15.94 / 405	39.92 / 1014	1.69 / 43	2.67 / 68	7.87 / 200	32.08 / 815	23.58 / 599	16.02 / 407
XENITH FEMME COMP	44	19.49 / 495	70.5°	76°	16.34 / 415	38.78 / 985	1.97 / 50	2.67 / 68	3.94 / 100	27.24 / 692	19.37 / 492	14.65 / 372
	48	19.88 / 505	71°	75.5°	15.94 / 405	38.42 / 976	1.97 / 50	2.67 / 68	3.94 / 100	27.95 / 710	19.45 / 494	14.84 / 377
	51	20.27 / 515	71.5°	75°	15.94 / 405	38.50 / 978	1.97 / 50	2.67 / 68	4.72 / 120	29.13 / 740	20.28 / 515	14.84 / 377
	54	20.86 / 530	72°	74°	15.94 / 405	38.31 / 973	1.69 / 43	2.67 / 68	5.51 / 140	29.92 / 760	21.18 / 538	14.80 / 376
IOON ELITE / PRO / RACE	48	20.27 / 515	71.5°	73°	15.94 / 405	37.72 / 958	1.97 / 50	2.68 / 68	3.94 / 100	28.15 / 715	19.53 / 496	14.29 / 363
	51	20.82 / 529	72°	73°	15.94 / 405	38.11 / 968	1.97 / 50	2.68 / 68	4.72 / 120	29.33 / 745	20.35 / 517	14.61 / 371
	54	21.42 / 544	73°	73°	15.94 / 405	38.07 / 967	1.69 / 43	2.68 / 68	5.51 / 140	30.16 / 766	21.30 / 541	14.92 / 379
	56	22.24 / 565	73°	73°	15.94 / 405	38.90 / 988	1.69 / 43	2.68 / 68	6.30 / 160	30.94 / 786	22.09 / 561	15.51 / 394
	58	22.83 / 580	73°	73°	15.94 / 405	39.49 / 1003	1.69 / 43	2.68 / 68	7.08 / 180	31.65 / 804	22.83 / 580	16.02 / 407
	61	23.23 / 590	73°	73°	15.94 / 405	39.88 / 1013	1.69 / 43	2.68 / 68	7.87 / 200	32.32 / 821	23.58 / 599	16.02 / 407

MODEL	SIZE	EFFECTIVE TT LENGTH	HT ANGLE	ST ANGLE	CHAINSTAY	WHEELBASE	FORK RAKE	BB DROP	HEADTUBE	STANDOVER	STACK	REACH
ROAD CONTINUED												
SUPERNOVA TEAM / ELITE	51	20.82 / 529	71.5°	74°	16.73 / 425	39.41 / 1001	1.89 / 48	2.71 / 69	5.12 / 130	30.51 / 775	22.01 / 559	14.45 / 367
	54	21.45 / 545	72°	73°	16.73 / 425	39.45 / 1002	1.89 / 48	2.71 / 69	5.71 / 145	31.38 / 797	22.64 / 575	14.49 / 368
	56	22.05 / 560	72.5°	73°	16.73 / 425	39.88 / 1013	1.89 / 48	2.71 / 69	6.30 / 160	32.08 / 816	23.31 / 592	14.92 / 379
	58	22.64 / 575	72.5°	72.5°	16.73 / 425	40.31 / 1024	1.89 / 48	2.71 / 69	6.89 / 175	32.75 / 832	23.78 / 604	15.16 / 385
	61	23.42 / 595	73°	72°	16.73 / 425	40.67 / 1033	1.89 / 48	2.71 / 69	7.87 / 200	33.82 / 859	24.80 / 630	15.39 / 391
NOVA PRO	48	20.27 / 515	71°	75°	16.73 / 425	39.33 / 999	1.89 / 48	2.71 / 69	3.94 / 100	29.53 / 750	20.83 / 529	14.57 / 370
	51	20.86 / 530	71.5°	74°	16.73 / 425	39.41 / 1001	1.89 / 48	2.71 / 69	4.52 / 115	30.35 / 771	21.46 / 545	14.65 / 372
	54	21.45 / 545	72°	73°	16.73 / 425	39.45 / 1002	1.89 / 48	2.71 / 69	5.12 / 130	31.22 / 793	22.09 / 561	14.69 / 373
	56	22.05 / 560	72.5°	73°	16.73 / 425	39.88 / 1013	1.89 / 48	2.71 / 69	5.71 / 145	31.93 / 811	22.72 / 577	15.08 / 383
	58	22.64 / 575	72.5°	72.5°	16.73 / 425	40.31 / 1024	1.89 / 48	2.64 / 67	6.30 / 160	32.56 / 827	23.23 / 590	15.28 / 388
RENEGADE ELITE / EXPERT	61	23.42 / 595	73°	72°	16.73 / 425	40.67 / 1033	1.89 / 48	2.64 / 67	7.28 / 185	33.62 / 854	24.21 / 615	15.59 / 396
	48	20.35 / 517	70.5°	73°	16.81 / 427	39.25 / 997	2.24 / 57	2.89 / 73.5	3.77 / 95.9	28.70 / 729	20.27 / 515	14.17 / 360
	51	20.94 / 532	71°	73°	16.81 / 427	39.57 / 1005	2.09 / 53	2.89 / 73.5	4.50 / 114.3	29.61 / 752	21.06 / 535	14.53 / 369
	54	21.69 / 551	71.5°	73°	16.93 / 430	40.27 / 1023	2.09 / 53	2.83 / 72	5.73 / 145.6	30.90 / 785	22.24 / 565	14.88 / 378
	56	22.40 / 569	71.5°	73°	16.93 / 430	41.02 / 1042	2.09 / 53	2.83 / 72	6.96 / 176.7	31.81 / 808	23.43 / 595	15.24 / 387
RENEGADE EXPLOIT / EXPAT / EXILE	58	23.07 / 586	72°	73°	16.93 / 430	41.38 / 1051	1.97 / 50	2.77 / 70.5	7.95 / 202	32.68 / 830	24.41 / 620	15.59 / 396
	61	23.66 / 601	72°	73°	17.2 / 435	41.97 / 1066	1.97 / 50	2.77 / 70.5	8.70 / 220.9	22.95 / 853	25.20 / 640	15.94 / 405
	48	20.43 / 519	70.5°	73°	16.81 / 427	39.25 / 997	2.24 / 57	2.89 / 73.5	3.27 / 83	28.50 / 724	20.27 / 515	14.17 / 360
	51	21.02 / 534	71°	73°	16.81 / 427	39.57 / 1005	2.09 / 53	2.89 / 73.5	3.94 / 100	29.33 / 745	21.06 / 535	14.53 / 369
	54	21.69 / 551	71.5°	73°	16.93 / 430	40.27 / 1023	2.09 / 53	2.83 / 72	5.20 / 132	30.55 / 776	22.24 / 565	14.88 / 378
XENITH ENDURA COMP / SPORT	56	22.44 / 570	71.5°	73°	16.93 / 430	41.02 / 1042	2.09 / 53	2.83 / 72	6.42 / 163	31.53 / 801	23.43 / 595	15.24 / 387
	58	23.07 / 586	72°	73°	16.93 / 430	41.38 / 1051	1.97 / 50	2.77 / 70.5	7.40 / 188	32.48 / 825	24.41 / 620	15.59 / 396
	61	23.66 / 601	72.5°	73°	17.2 / 435	41.97 / 1066	1.97 / 50	2.77 / 70.5	8.15 / 207	33.31 / 846	25.20 / 640	15.94 / 405
	48	20.27 / 515	71.5°	75°	16.34 / 415	38.97 / 990	1.97 / 50	2.60 / 66	4.92 / 125	28.94 / 735	20.83 / 529	14.69 / 373
	51	20.82 / 529	71.5°	75°	16.34 / 415	39.60 / 1006	1.97 / 50	2.60 / 66	5.90 / 150	30.08 / 764	21.73 / 552	15.00 / 381
XENITH ENDURA FEMME COMP / SPORT	54	21.42 / 544	72.5°	73°	16.34 / 415	38.74 / 984	1.69 / 43	2.60 / 66	6.69 / 170	30.82 / 783	22.76 / 578	14.45 / 367
	56	22.24 / 565	73°	73°	16.34 / 415	39.33 / 999	1.69 / 43	2.60 / 66	7.48 / 190	31.61 / 803	23.58 / 599	15.04 / 382
	58	22.83 / 580	73°	73°	16.34 / 415	39.92 / 1014	1.69 / 43	2.60 / 66	8.27 / 210	32.32 / 821	24.33 / 618	15.39 / 391
	61	23.23 / 590	73°	73°	16.34 / 415	40.31 / 1024	1.69 / 43	2.60 / 66	9.06 / 230	32.99 / 838	25.08 / 637	15.55 / 395
	44	19.49 / 495	70.5°	76°	16.34 / 415	38.70 / 983	1.97 / 50	2.91 / 74	3.94 / 100	27.20 / 691	20.04 / 509	14.49 / 368
VENTURA RACE / COMP	48	19.88 / 505	71°	75.5°	16.34 / 415	38.82 / 986	1.97 / 50	2.91 / 74	4.92 / 125	28.70 / 729	21.06 / 535	14.45 / 367
	51	20.27 / 515	71.5°	75°	16.34 / 415	38.94 / 989	1.97 / 50	2.91 / 74	5.90 / 150	29.96 / 761	22.05 / 560	14.37 / 365
	54	20.86 / 530	72.5°	74°	16.34 / 415	38.46 / 977	1.69 / 43	2.91 / 74	6.69 / 170	30.75 / 781	23.07 / 586	14.25 / 362
	48	20.27 / 515	71°	74°	16.34 / 415	38.54 / 979	1.97 / 50	2.87 / 73	4.72 / 120	28.03 / 712	20.94 / 532	14.21 / 361
	51	20.67 / 525	71.5°	74°	16.34 / 415	38.82 / 986	1.97 / 50	2.87 / 73	5.51 / 140	29.37 / 746	21.77 / 553	14.37 / 365
VENTURA FEMME RACE / COMP	54	21.18 / 538	72°	73.5°	16.34 / 415	38.78 / 985	1.77 / 45	2.87 / 73	6.30 / 160	29.41 / 747	22.64 / 575	14.45 / 367
	56	21.85 / 555	72.54°	73°	16.34 / 415	38.86 / 987	1.69 / 43	2.87 / 73	7.08 / 180	30.90 / 785	23.54 / 598	14.65 / 372
	58	22.44 / 570	72.54°	72.54°	16.34 / 415	39.41 / 1001	1.69 / 43	2.87 / 73	7.87 / 200	31.57 / 802	24.29 / 617	14.96 / 380
	61	23.03 / 585	72.54°	72.54°	16.34 / 415	40.00 / 1016	1.69 / 43	2.87 / 73	8.66 / 220	32.24 / 819	25.04 / 636	15.32 / 389
	44	19.49 / 495	70.5°	76°	16.34 / 415	38.74 / 984	1.97 / 50	2.68 / 68	4.72 / 120	27.52 / 699	20.67 / 525	14.21 / 361
VENTURA SPORT	48	19.88 / 505	71°	75.5°	16.34 / 415	38.78 / 985	1.97 / 50	2.68 / 68	4.72 / 120	28.23 / 717	20.75 / 527	14.41 / 366
	51	20.27 / 515	71°	75°	16.34 / 415	39.05 / 992	1.97 / 50	2.68 / 68	5.51 / 140	29.41 / 747	21.50 / 546	14.41 / 366
	54	20.87 / 530	71°	74°	16.34 / 415	39.33 / 999	1.97 / 50	2.68 / 68	6.30 / 160	29.96 / 761	22.24 / 565	14.41 / 366
	48	20.27 / 515	71°	74°	16.34 / 415	38.54 / 979	1.97 / 50	2.87 / 73	4.72 / 120	28.03 / 712	20.94 / 532	14.21 / 361
	51	20.67 / 525	71.5°	74°	16.34 / 415	38.82 / 986	1.97 / 50	2.87 / 73	5.51 / 140	29.37 / 746	21.77 / 553	14.37 / 365
VENTURA SPORT FEMME	54	21.18 / 538	72°	73.5°	16.34 / 415	38.78 / 985	1.77 / 45	2.87 / 73	6.30 / 160	29.41 / 747	22.64 / 575	14.45 / 367
	56	21.85 / 555	72.54°	73°	16.34 / 415	38.86 / 987	1.69 / 43	2.87 / 73	7.08 / 180	30.90 / 785	23.54 / 598	14.65 / 372
	58	22.44 / 570	72.54°	72.54°	16.34 / 415	39.41 / 1001	1.69 / 43	2.87 / 73	7.87 / 200	31.57 / 802	24.29 / 617	14.96 / 380
	61	23.03 / 585	72.54°	72.54°	16.34 / 415	40.00 / 1016	1.69 / 43	2.87 / 73	8.66 / 220	32.24 / 819	25.04 / 636	15.32 / 389
	44	19.49 / 495	70.5°	76°	16.34 / 415	38.74 / 984	1.97 / 50	2.68 / 68	4.72 / 120	27.52 / 699	20.67 / 525	14.21 / 361
VENTURA SPORT FEMME	48	19.88 / 505	71°	75.5°	16.34 / 415	38.78 / 985	1.97 / 50	2.68 / 68	4.72 / 120	28.23 / 717	20.75 / 527	14.41 / 366
	51	20.27 / 515	71°	75°	16.34 / 415	39.05 / 992	1.97 / 50	2.68 / 68	5.51 / 140	29.41 / 747	21.50 / 546	14.41 / 366
	54	20.87 / 530	71°	74°	16.34 / 415	39.33 / 999	1.97 / 50	2.68 / 68	6.30 / 160	29.96 / 761	22.24 / 565	14.41 / 366
	54	20.87 / 530	71°	74°	16.34 / 415	39.33 / 999	1.97 / 50	2.68 / 68	6.30 / 160	29.96 / 761	22.24 / 565	14.41 / 366

MODEL	SIZE	EFFECTIVE TT LENGTH	HT ANGLE	ST ANGLE	CHAINSTAY	WHEELBASE	FORK RAKE	BB DROP	HEADTUBE	STANDOVER	STACK	REACH
ROAD CONTINUED												
QUEST ELITE / COMP / SPORT	48	20.27 / 515	71"	74.5"	16.34 / 415	38.94 / 989	1.97 / 50	2.68 / 68	4.72 / 120	28.97 / 736	21.10 / 536	14.37 / 365
	51	20.86 / 530	72"	74"	16.34 / 415	38.70 / 983	1.69 / 43	2.68 / 68	5.51 / 140	30.27 / 769	22.13 / 562	14.49 / 368
	54	21.26 / 540	72"	73"	16.34 / 415	38.74 / 984	1.69 / 43	2.68 / 68	6.30 / 160	30.94 / 786	22.87 / 581	14.25 / 362
	56	21.85 / 555	73"	73"	16.34 / 415	38.90 / 998	1.69 / 43	2.68 / 68	7.08 / 180	31.77 / 807	22.78 / 604	14.57 / 370
	58	22.44 / 570	73"	73"	16.34 / 415	39.49 / 1003	1.69 / 43	2.68 / 68	7.87 / 200	32.44 / 824	24.53 / 623	14.96 / 380
	61	23.03 / 585	73"	73"	16.34 / 415	40.08 / 1018	1.69 / 43	2.68 / 68	8.66 / 220	33.15 / 842	25.28 / 642	15.32 / 389
QUEST FEMME ELITE / COMP / SPORT	48	19.88 / 505	71"	75.5"	16.34 / 415	38.94 / 989	1.97 / 50	2.68 / 68	4.72 / 120	29.01 / 737	21.10 / 536	14.37 / 365
	51	20.27 / 515	71.5"	75"	16.34 / 415	39.01 / 991	1.97 / 50	2.68 / 68	5.51 / 140	30.23 / 768	21.93 / 557	14.37 / 365
	54	20.86 / 530	71.5"	74"	16.34 / 415	39.21 / 996	1.97 / 50	2.68 / 68	6.30 / 160	30.90 / 785	21.97 / 558	14.33 / 364
AURORA ELITE	47	20.47 / 520	70"	74"	17.32 / 440	40.35 / 1025	1.97 / 50	2.56 / 65	3.94 / 100	27.72 / 704	20.79 / 528	15.51 / 368
	50	21.30 / 541	71.5"	74"	17.32 / 440	40.71 / 1034	1.97 / 50	2.56 / 65	4.53 / 115	31.10 / 790	21.57 / 548	15.12 / 384
	53	21.73 / 552	71.5"	73"	17.32 / 440	40.71 / 1034	1.97 / 50	2.56 / 65	5.32 / 135	31.77 / 807	22.32 / 567	14.88 / 378
	55	22.12 / 562	71.5"	73"	17.32 / 440	41.10 / 1044	1.97 / 50	2.56 / 65	5.91 / 150	32.44 / 824	22.87 / 581	15.20 / 386
	57	22.64 / 575	71.5"	72"	17.32 / 440	41.22 / 1047	1.97 / 50	2.56 / 65	6.50 / 165	33.07 / 840	23.43 / 595	19.09 / 485
	59	22.99 / 584	72"	72"	17.32 / 440	41.38 / 1051	1.97 / 50	2.56 / 65	7.09 / 180	33.78 / 858	24.06 / 611	15.31 / 389
	62	23.35 / 593	72.5"	72"	17.32 / 440	41.54 / 1055	1.97 / 50	2.56 / 65	7.67 / 195	34.64 / 880	24.72 / 628	15.47 / 393
	67	20.47 / 520	70"	74"	17.32 / 440	40.31 / 1024	1.97 / 50	2.56 / 65	3.94 / 100	27.95 / 710	20.51 / 521	14.49 / 368
AURORA	50	21.34 / 542	71.5"	74"	17.32 / 440	40.67 / 1033	1.97 / 50	2.56 / 65	4.53 / 115	30.87 / 784	21.30 / 541	15.20 / 386
	53	21.73 / 552	71.5"	73"	17.32 / 440	40.71 / 1034	1.97 / 50	2.56 / 65	5.32 / 135	31.81 / 808	22.05 / 580	14.96 / 380
	55	21.93 / 557	71.5"	73"	17.32 / 440	40.90 / 1039	1.97 / 50	2.56 / 65	5.91 / 150	32.56 / 827	22.60 / 574	15.00 / 381
	57	22.32 / 567	71.5"	72"	17.32 / 440	40.90 / 1039	1.97 / 50	2.56 / 65	6.50 / 165	33.15 / 842	23.15 / 588	14.80 / 376
	59	22.72 / 577	72"	72"	17.32 / 440	41.10 / 1044	1.97 / 50	2.56 / 65	7.09 / 180	33.86 / 860	23.82 / 605	15.00 / 381
	62	23.23 / 590	72.5"	72"	17.32 / 440	41.38 / 1051	1.97 / 50	2.56 / 65	7.67 / 195	34.76 / 883	24.45 / 621	15.31 / 389
SONIK	48	20.67 / 525	74.5"	75"	14.53 / 369	35.90 / 912	1.18 / 30	1.97 / 50	4.33 / 110	29.01 / 737	19.88 / 505	15.35 / 390
	51	20.86 / 530	74.5"	75"	14.53 / 369	36.10 / 917	1.18 / 30	1.97 / 50	4.33 / 110	29.60 / 752	19.88 / 505	15.55 / 395
	54	21.45 / 545	74.5"	74"	14.60 / 371	36.45 / 926	1.18 / 30	1.97 / 50	4.72 / 120	29.64 / 753	20.34 / 514	15.67 / 398
	56	22.24 / 565	74.5"	74"	14.60 / 371	37.24 / 946	1.18 / 30	1.97 / 50	5.51 / 140	30.86 / 784	20.98 / 533	16.22 / 412
	58	22.83 / 580	74.5"	74"	14.60 / 371	37.79 / 960	1.18 / 30	1.97 / 50	6.30 / 160	31.61 / 803	21.77 / 553	16.61 / 422
	61	23.31 / 592	74.5"	73.5"	14.68 / 373	38.15 / 969	1.18 / 30	1.97 / 50	7.28 / 185	32.56 / 827	22.72 / 577	16.61 / 422
BEATNIK	48	20.31 / 516	71.5"	75.5"	15.94 / 405	38.62 / 981	1.77 / 45	2.56 / 65	3.74 / 95	29.84 / 758	20.59 / 523	15.04 / 382
	51	20.79 / 528	72"	74.5"	15.94 / 405	38.54 / 979	1.77 / 45	2.56 / 65	4.13 / 105	30.59 / 777	21.02 / 534	15.04 / 382
	54	21.73 / 552	72.5"	73.5"	15.94 / 405	38.70 / 983	1.57 / 40	2.56 / 65	4.72 / 120	31.46 / 799	21.73 / 552	15.35 / 390
	56	22.36 / 568	73.5"	73"	15.94 / 405	38.78 / 985	1.57 / 40	2.56 / 65	5.31 / 135	32.20 / 818	22.40 / 569	15.59 / 396
	58	22.75 / 578	73.5"	73"	15.94 / 405	39.17 / 995	1.57 / 40	2.56 / 65	6.10 / 155	32.95 / 837	23.15 / 588	15.75 / 400
61	23.46 / 596	74"	72"	15.94 / 405	39.17 / 995	1.57 / 40	2.56 / 65	7.28 / 185	34.05 / 865	24.33 / 618	15.59 / 396	
STREET												
COMMUTER 3 COMMUTER 2	15"	21.53/547	70"	73.5"	17.52/445	41.42/1052	1.97/50	2.75/70	4.92/125	27.44/697	22.48/571	14.96/380
	17"	22.12/562	70.5"	73.5"	17.52/445	41.85/1063	1.97/50	2.75/70	5.71/145	28.90/734	23.27/591	15.31/389
	19"	22.48/571	71"	73.5"	17.52/445	42.05/1068	1.97/50	2.75/70	6.30/160	30.20/767	23.90/607	15.47/393
	21"	23.03/585	71"	73"	17.52/445	42.20/1072	1.97/50	2.75/70	7.28/185	31.65/804	24.92/633	15.47/393
	23"	23.42/595	71.5"	73"	17.52/445	42.64/1083	1.97/50	2.75/70	8.66/220	33.11/841	26.22/666	15.47/393
	14" S/O	21.50/546	70"	74.5"	17.52/445	41.77/1061	1.97/50	2.75/70	4.72/120	25.00/635	22.28/566	15.39/391
18" S/O	21.89/556	71"	74"	17.52/445	41.61/1057	1.97/50	2.75/70	5.12/130	25.67/652	22.79/579	15.43/392	
COMMUTER 1	15"	21.53/547	70"	73.5"	17.52/445	41.50/1054	2.01/51	2.75/70	5.51/140	27.48/698	22.56/573	14.92/379
	17"	22.12/562	70.5"	73.5"	17.52/445	41.93/1065	2.01/51	2.75/70	6.30/160	28.98/736	23.38/594	15.27/388
	19"	22.48/571	71"	73.5"	17.52/445	42.09/1069	2.01/51	2.75/70	6.89/175	30.31/770	23.98/609	15.43/392
	21"	23.03/585	71"	73"	17.52/445	42.24/1073	2.01/51	2.75/70	7.87/200	31.77/807	25.00/635	15.47/393
	23"	23.42/595	71.5"	73"	17.52/445	42.68/1084	2.01/51	2.75/70	9.25/235	33.23/844	26.30/668	15.43/392
	14" S/O	21.50/546	70"	74.5"	17.52/445	41.85/1063	2.01/51	2.75/70	5.31/135	25.27/642	22.36/568	15.35/390
18" S/O	21.89/556	71"	74"	17.52/445	41.65/1058	2.01/51	2.75/70	5.71/145	25.63/651	22.87/581	15.39/391	

MODEL	SIZE	EFFECTIVE TT LENGTH	HT ANGLE	ST ANGLE	CHAINSTAY	WHEELBASE	FORK RAKE	BB HEIGHT	HEADTUBE	STANDOVER	STACK	REACH
STREET CONTINUED												
CODA ELITE	16"	21.46/545	71°	74°	17.13/435	40.75/1035	1.97/50	2.56/65	4.13/105	28.27/718	20.63/524	15.51/394
	17.5"	22.05/560	71°	74°	17.13/435	41.38/1051	1.97/50	2.56/65	4.72/120	29.29/744	21.18/538	15.94/405
	19.5"	22.44/570	72°	73.5°	17.13/435	41.22/1047	1.97/50	2.56/65	5.31/135	30.63/778	21.89/556	15.94/405
	21.5"	23.03/585	72°	73.5°	17.13/435	41.81/1062	1.97/50	2.56/65	5.91/150	31.93/811	22.44/570	16.38/416
	23"	23.43/595	72°	73.5°	17.13/435	42.24/1073	1.97/50	2.56/65	6.50/165	32.95/837	23.03/585	16.57/421
CODA COMP	15"	21.46/545	71°	74°	17.13/435	40.51/1029	1.77/45	2.56/65	4.13/105	28.15/715	20.39/518	15.55/395
	17"	22.05/560	71°	74°	17.13/435	41.14/1045	1.77/45	2.56/65	4.72/120	29.21/742	20.94/532	16.02/407
	19"	22.44/570	72°	73.5°	17.13/435	40.98/1041	1.77/45	2.56/65	5.31/135	30.55/776	21.65/550	16.02/407
	21"	23.03/585	72°	73.5°	17.13/435	41.61/1057	1.77/45	2.56/65	5.91/150	31.77/807	22.17/563	16.46/418
	23"	23.43/595	72°	73.5°	17.13/435	42.01/1067	1.77/45	2.56/65	6.50/165	32.83/834	22.80/579	16.65/423
CODA COMP FEMME	14"	20.47/520	70°	75°	17.13/435	40.19/1021	1.77/45	2.56/65	3.74/95	27.08/688	19.88/505	15.09/383
	16"	20.87/530	71°	75°	17.13/435	40.27/1023	1.77/45	2.56/65	4.13/105	28.19/716	20.39/518	15.35/390
	18"	21.26/540	71°	74°	17.13/435	40.35/1025	1.77/45	2.56/65	4.72/120	29.17/741	20.94/532	15.24/387
CODA SPORT	15"	21.46/545	71°	74°	17.13/435	40.75/1035	1.97/50	2.56/65	4.13/105	28.46/723	21.14/537	15.35/390
	17"	22.05/560	71°	74°	17.13/435	41.38/1051	1.97/50	2.56/65	4.72/120	29.52/750	21.69/551	15.79/401
	19"	22.44/570	72°	73.5°	17.13/435	41.22/1047	1.97/50	2.56/65	5.31/135	30.90/785	22.40/569	15.79/401
	21"	23.03/585	72°	73.5°	17.13/435	41.85/1063	1.97/50	2.56/65	5.91/150	32.16/817	22.95/583	16.22/412
	23"	23.43/595	72°	73.5°	17.13/435	42.24/1073	1.97/50	2.56/65	6.50/165	33.23/844	23.54/598	16.46/418
CODA SPORT FEMME	14"	20.47/520	70°	75°	17.13/435	40.47/1028	1.97/50	2.56/65	3.74/95	27.40/696	20.63/524	14.88/378
	16"	20.87/530	71°	75°	17.13/435	40.55/1030	1.97/50	2.56/65	4.13/105	28.54/725	21.14/537	15.16/385
	18"	21.26/540	71°	74°	17.13/435	40.59/1031	1.97/50	2.56/65	4.72/120	29.52/750	21.69/551	15.00/381
ALLEGRO ELITE / COMP / SPORT / ALLEGRO	15"	21.46/545	71°	74°	17.13/435	40.94/1040	1.97/50	2.16/55	5.31/135	28.50/724	21.46/545	15.24/387
	17"	22.05/560	71°	74°	17.13/435	41.57/1056	1.97/50	2.16/55	5.90/150	29.53/750	22.01/559	15.67/398
	19"	22.44/570	72°	73.5°	17.13/435	41.42/1052	1.97/50	2.16/55	6.89/175	31.10/790	23.07/586	15.55/395
	21"	23.03/585	72°	73.5°	17.13/435	42.05/1068	1.97/50	2.16/55	7.87/200	32.60/828	24.01/610	15.87/403
	23"	23.43/595	72°	73.5°	17.13/435	42.44/1078	1.97/50	2.16/55	9.05/230	33.46/850	25.16/639	15.94/405
ALLEGRO FEMME ELITE / COMP / SPORT	14"	20.47/520	70.5°	74.5°	17.13/435	40.31/1024	1.97/50	2.16/55	4.92/125	27.48/698	20.98/533	14.57/370
	16"	20.86/530	71°	74°	17.13/435	40.35/1025	1.97/50	2.16/55	5.31/135	28.50/724	21.46/545	14.64/372
	18"	21.26/540	71°	74°	17.13/435	40.79/1036	1.97/50	2.16/55	5.90/150	29.57/751	22.01/559	14.88/378
DXT ELITE / COMP / SPORT	15"	23.03/585	71°	73°	17.52/445	42.16/1071	1.65/42	2.36/60	4.13/105	28.94/735	22.68/576	16.06/408
	17"	23.62/600	71°	73°	17.52/445	42.75/1086	1.65/42	2.36/60	4.72/120	30.24/768	23.23/590	16.46/418
	19"	24.01/610	71°	73°	17.52/445	43.19/1097	1.65/42	2.36/60	5.31/135	31.34/796	23.78/604	16.69/424
	21"	24.61/625	71°	73°	17.52/445	43.78/1112	1.65/42	2.36/60	6.10/155	32.68/830	24.53/623	17.05/433
	23"	24.80/630	71°	73°	17.52/445	44.01/1118	1.65/42	2.36/60	6.89/175	34.05/865	21.34/542	17.01/432
DXT FEMME COMP / SPORT	14"	20.47/520	70.5°	74.5°	17.13/435	40.12/1019	1.65/42	2.16/55	4.72/120	24.45/621	22.95/583	14.01/356
	18"	21.26/540	71°	74°	17.13/435	40.51/1029	1.65/42	2.16/55	4.72/120	25.00/635	23.03/585	14.61/371
	20"	22.05/560	72°	73.5°	17.13/435	40.71/1034	1.65/42	2.16/55	5.31/135	25.16/639	23.74/603	14.96/380
RECREATION												
CITIZEN 3 CITIZEN 2	15"	21.50/546	70°	74°	17.52/445	41.69/1059	1.97/50	2.56/65	4.72/120	28.66/728		
	17"	22.11/562	70°	74°	17.52/445	42.28/1074	1.97/50	2.56/65	4.72/120	29.05/738		
	19"	22.48/571	71°	73.5°	17.52/445	42.05/1068	1.97/50	2.56/65	4.72/120	30.39/772		
	21"	23.06/586	71°	73.5°	17.52/445	42.68/1084	1.97/50	2.56/65	5.12/130	31.65/804		
	23"	23.46/596	71°	73.5°	17.52/445	43.07/1094	1.97/50	2.56/65	5.71/145	32.91/836		
	14" S/T	21.49/546	70°	74°	17.52/445	41.77/1061	1.97/50	2.56/65	5.90/150	18.62/473		
	18" S/T	21.88/556	70°	73.5°	17.52/445	41.97/1066	1.97/50	2.56/65	6.49/165	18.15/461		
CITIZEN 1	15"	21.50/546	70°	74°	17.52/445	41.61/1057	1.97/50	2.56/65	4.72/120	28.35/720		
	17"	22.11/562	70°	74°	17.52/445	42.24/1073	1.97/50	2.56/65	4.72/120	28.82/732		
	19"	22.48/571	71°	73.5°	17.52/445	42.01/1067	1.97/50	2.56/65	4.72/120	30.04/763		
	21"	23.06/586	71°	73.5°	17.52/445	42.64/1083	1.97/50	2.56/65	5.12/130	31.49/800		
	23"	23.46/596	71°	73.5°	17.52/445	43.03/1093	1.97/50	2.56/65	5.71/145	32.40/823		
	14" S/T	21.49/546	70°	74°	17.52/445	41.69/1059	1.97/50	2.56/65	5.90/150	19.05/484		
	18" S/T	21.88/556	70°	73.5°	17.52/445	41.93/1065	1.97/50	2.56/65	6.49/165	18.54/471		
	S	22.44/570	68.00°	67.00°	19.09/485	42.56/1081	1.77/45	22.83/58	4.72/120	25.94/659		
HUDSON SPORT / EASY-3 / EASY	M	23.11/587	68.00°	67.00°	19.09/485	43.19/1097	1.77/45	22.83/58	5.51/140	27.52/699		
	L	24.17/614	68.00°	67.00°	19.09/485	44.25/1124	1.77/45	22.83/58	6.89/175	28.97/736		
	XL	25.12/638	68.00°	67.00°	19.09/485	45.16/1147	1.77/45	22.83/58	8.27/210	31.38/797		
	S S/T	22.60/574	68.00°	67.00°	19.09/485	42.68/1084	1.77/45	22.83/58	6.50/165	17.48/444		
	M S/T	23.66/601	68.00°	67.00°	19.09/485	43.74/1111	1.77/45	22.83/58	6.50/165	18.03/458		

MODEL	SIZE	EFFECTIVE TT LENGTH	HT ANGLE	ST ANGLE	CHAINSTAY	WHEELBASE	FORK RAKE	BB HEIGHT	HEADTUBE	STANDOVER
RECREATION CONTINUED										
EXPLORER 2	S	21.06/535	68.39°	70.39°	16.73/425	40.00/1016	1.65/42	0.90/23	4.72/120	27.01/686
	M	21.65/550	68.40°	70.40°	16.73/425	40.63/1032	1.65/42	0.90/23	5.51/140	28.62/727
	L	22.64/575	68.42°	70.42°	16.73/425	41.65/1058	1.65/42	0.90/23	6.89/175	30.59/777
	XL	23.43/595	68.44°	70.44°	16.73/425	42.48/1079	1.65/42	0.90/23	8.27/210	32.91/836
	S S/T	20.67/525	68.39°	70.39°	16.93/430	39.84/1012	1.65/42	0.90/23	6.30/160	17.83/453
	M S/T	22.05/560	68.39°	70.41°	16.93/430	41.26/1048	1.65/42	0.90/23	6.89/175	18.70/475
EXPLORER 1	S	21.06/535	68.39°	70.39°	16.73/425	40.12/1019	1.77/45	0.90/23	4.72/120	27.20/691
	M	21.65/550	68.40°	70.40°	16.73/425	40.75/1035	1.77/45	0.90/23	5.51/140	28.78/731
	L	22.64/575	68.42°	70.42°	16.73/425	41.77/1061	1.77/45	0.90/23	6.89/175	30.79/782
	XL	23.43/595	68.44°	70.44°	16.73/425	42.60/1082	1.77/45	0.90/23	8.27/210	33.07/840
	S S/T	20.67/525	68.39°	70.39°	16.93/430	39.96/1015	1.77/45	0.90/23	6.30/160	17.87/454
	M S/T	22.05/560	68.39°	70.41°	16.93/430	41.42/1052	1.77/45	0.90/23	6.89/175	18.74/476
TRAIL XR	13"	20.86/530	70.5°	74°	16.73/425	40.35/1025	1.77/45	1.30/33	4.13/105	26.22/666
	15"	21.42/544	70.5°	74°	16.73/425	40.90/1039	1.77/45	1.30/33	4.72/120	28.07/713
	17"	21.89/556	71°	73.5°	16.73/425	40.98/1041	1.77/45	1.30/33	4.92/125	29.01/737
	19"	22.52/572	71°	73.5°	16.73/425	41.65/1058	1.77/45	1.30/33	5.12/130	30.27/769
	21"	23.34/593	71.5°	73°	16.73/425	42.12/1070	1.77/45	1.30/33	6.49/165	31.96/812
TRAIL XR Femme	12"	20.51/521	70.5°	74°	16.93/430	40.16/1020	1.77/45	1.30/33	4.13/105	24.52/623
	14"	20.71/526	70°	73°	16.93/430	40.23/1022	1.77/45	1.30/33	4.92/125	25.27/642
	18"	21.97/558	70.5°	72.5°	16.93/430	41.10/1044	1.77/45	1.30/33	5.51/140	25.59/650
EARTH CRUISER 3 EARTH CRUISER 1 EARTH CRUISER 2	M	22.91/582	69°	70°	18.74/476	42.72/1085	1.77/45	10.71/272	4.13/105	26.93/684
	L	24.02/610	69°	70°	18.74/476	43.82/1113	1.77/45	10.71/272	5.12/130	28.19/716
BOSS CRUISER 7 BOSS CRUISER COASTER	S S/T	21.81/554	69°	70°	18.74/476	41.61/1057	1.77/45	10.71/272	4.13/105	17.46/443
	M S/T	22.91/582	69°	70°	18.74/476	42.72/1085	1.77/45	10.71/272	4.13/105	18.03/458
	S	22.32/567	69°	70°	18.74/476	42.28/1074	1.57/40	10.71/272	4.33/110	28.39/721
TAXI 26"	M	22.68/576	70°	70°	18.74/476	42.09/1069	1.57/40	10.71/272	4.92/125	29.80/757
	L	23.39/594	70°	70°	18.74/476	42.83/1088	1.57/40	10.71/272	5.91/150	31.22/793
	XL	23.39/594	70°	70°	18.74/476	42.83/1088	1.57/40	10.71/272	7.87/200	33.07/840
	S S/O	22.32/567	69°	70°	18.74/476	42.09/1069	1.57/40	10.71/272	4.33/110	24.21/615
	M S/O	22.68/576	70°	70°	18.74/476	42.09/1069	1.57/40	10.71/272	4.33/110	24.25/616
	S	22.32/567	69°	70°	18.74/476	42.28/1074	1.57/40	10.71/272	4.33/110	28.39/721
TAXI 24"	M	22.68/576	70°	70°	18.74/476	42.09/1069	1.57/40	10.71/272	4.92/125	29.80/757
	L	23.39/594	70°	70°	18.74/476	42.83/1088	1.57/40	10.71/272	5.91/150	31.22/793
	M - S/O	22.68/576	70°	70°	18.74/476	42.09/1069	1.57/40	10.71/272	4.33/110	24.25/616
TAXI 20" KIDS	S - S/O	20.59/523	68°	70°	17.52/445	40.16/1020	1.57/40	11.22/285	4.33/110	22.52/572
TAXI 16" KIDS	S	19.01/483	71°	69°	14.76/375	35.16/893	1.65/42	10.59/269	3.94/100	20.18/512
TAXI 16" KIDS	XS	15.16/385	71°	71°	12.20/310	28.62/727	0.87/22	6.77/172	3.94/100	17.28/439
YOUTH										
DAKAR X26	13"	21.14/537	71°	74.5°	16.73/425	40.86/1038	1.50/38	0.79/20	3.94/100	27.91/709
TRAIL X26/X26 DISC	13"	20.86/530	70.5°	74°	16.73/425	40.43/1027	1.77/45	1.30/33	4.13/105	27.32/695
TRAIL X26/X26 DISC Femme	12"	20.51/521	70.5°	74°	16.93/430	40.28/1023	1.77/45	1.30/33	4.13/105	24.88/632
X 2.4	12"B	19.17/487	70°	73°	16.14/410	37.80/960	1.77/45	10.91/277	3.54/90	23.90/607
CAPRI 2.4	12"G	19.49/495	70°	72°	17.72/450	39.37/1000	1.77/45	10.91/277	3.54/90	19.09/485
X 2.0	11"B	16.73/425	70°	73°	15.16/385	34.72/882	1.77/45	9.61/244	3.54/90	20.87/530
CAPRI 2.0	10"G	16.97/431	70°	72°	15.47/393	35.00/889	1.77/45	9.61/244	3.54/90	17.48/444
LASER 2.0	10"B	17.48/444	67.5°	67.5°	15.16/385	34.76/883	1.97/50	10.00/254	3.54/90	18.70/475
STARLITE 2.0	10"G	17.80/452	71°	70°	15.75/400	35.35/896	1.97/50	10.00/254	3.54/90	17.48/444
LASER 1.6	8"B	15.08/383	67.5°	67°	13.23/336	30.04/763	1.38/35	8.58/218	3.54/90	15.90/404
MISS DAISY 1.6	8"G	15.87/403	71°	68°	13.23/336	30.04/763	1.38/35	8.58/218	3.54/90	14.57/370
HOT ROD 12"	8"B	11.73/298	71°	72°	10.04/255	23.23/590	0.79/20	7.56/192	3.15/80	13.43/341
LADY BUG	8"G	11.73/298	71°	72°	10.04/255	23.23/590	0.79/20	7.56/192	3.15/80	13.43/341

For full bicycle specifications please visit our website: www.jamisbikes.com

All specifications subject to change without notification

©2015 Jamis Bicycles All rights reserved.