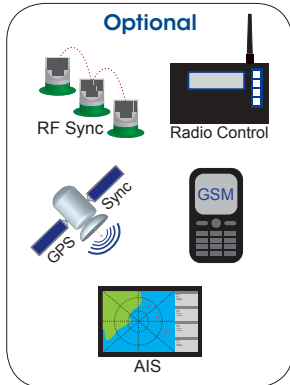


SL-C600

6-9NM+ Solar Marine Lantern

V1_2014

This equipment complies with requirements of the U.S. Coast Guard in 33 CFR part 66



SL-125-4 light-head (144 ultra-high intensity LEDs. IP68 rating)

LED lens and Sealite's 360° Omnidirectional LED Reflector (US Pat. No. 6,667,582. AU Pat. No. 778,918)

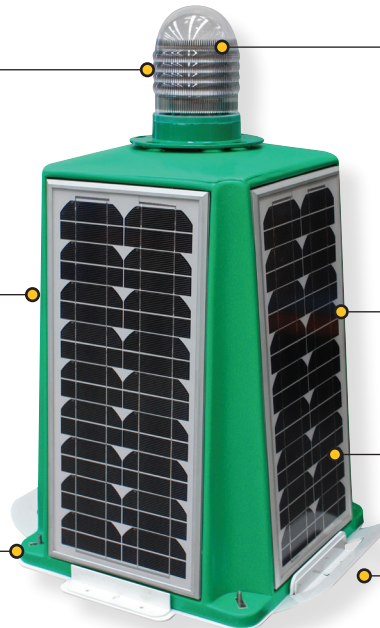
Rotationally-moulded, UV-stabilised, virgin polyethylene body

4 x 20watt (80watts total) multicrystalline solar modules, ensuring maximum light collection to charge the battery

Internal 100Ah battery

High visibility IALA colours for daytime recognition

7-stage powder-coated aluminium base with handles for ease of installation



The Sealite Advantage

- Complete unit - ready for immediate installation
- Impact & weather resistant polyethylene
- Handles on the base for ease of installation
- 256 IALA flash patterns, user-adjustable without the need for external devices
- Vertical light emissions to maintain visibility when passing adjacent to light

The SL-C600, one of the world's largest self-contained LED lanterns, is a 6-9NM+ Solar LED Marine Lantern designed for a range of low-maintenance applications. The large solar array makes this lantern perfect for low sunlight regions.

The light boasts a large internal battery compartment, a multiple tiered SL-125 LED light-head and 4 premium-grade 20watt solar modules mounted to collect sunlight at all angles.

The SL-C600 is moulded from UV-stabilised, virgin polyethylene, providing enormous impact and weather resistance, in addition to high visibility IALA colours.

The tough polycarbonate lens is specifically designed for use with LEDs and also enables vessel operators clearly see the light from above, when passing the AtoN.

The user-friendly, 2-piece design allows the lantern to be opened for convenient battery inspection or replacement whilst the base remains fixed to the supporting structure.

Optional RF Synchronisation or GPS Synchronisation

The SL-C600 may be fitted with an optional RF Synchronisation module for short range flash synchronisation. For flash synchronisation of lanterns installed over longer ranges, a GPS module may be fitted.

When lanterns flash in synchronisation they can be clearly distinguished from other nav aids and confusing background lighting - ideal for rivers, marina entrances, channel marking and aquaculture.

Optional GSM Monitoring & Control System

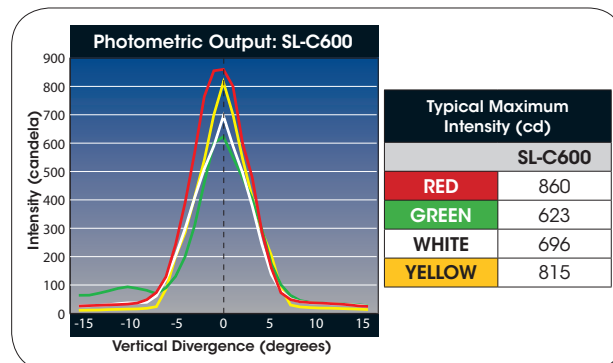
The SL-C600 may also be fitted with GSM Remote Monitoring and Control capabilities - enabling users to access real-time diagnostics data and change lantern settings via cell-phone.

Optional AIS Remote Monitoring

AIS integration enables remote monitoring of the SL-C600 as well as crucial message 21 information to be broadcast to mariners within the region.

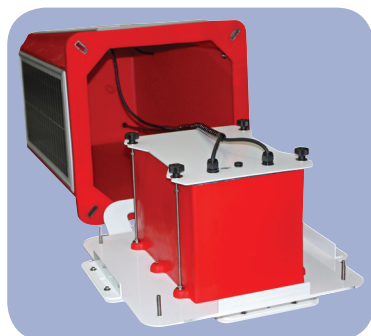
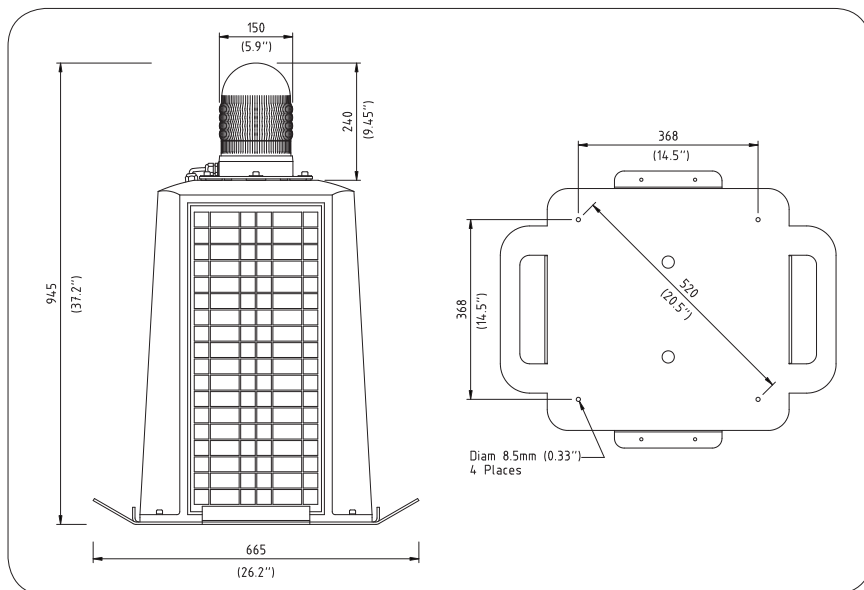
Optional Radio Control System

Radio Control may be fitted to the SL-C600 model enabling users to remotely modify the setup of their lantern via handheld radio controller.



SL-C600

6-9NM+ Solar Marine Lantern



Convenient battery replacement



SPECIFICATIONS* * SL-C600

Light Characteristics

Light Source SL-125-4 (144 LED lantern as standard)
 Available Colours Red, Green, White, Yellow, Blue
 Typical Maximum Intensity (cd)† Red - 860 Green - 623 White - 696 Yellow - 815
 Visible Range (NM) 6-9+
 Horizontal Output (degrees) 360
 Vertical Divergence (degrees) 7
 Reflector Type Omnidirectional 360° LED Reflector (US Pat. No. 6,667,582. AU Pat. No. 778,918)

Available Flash Characteristics Up to 256 IALA recommended (user adjustable)
 Intensity Adjustments Adjustable in 25% increments
 LED Life Expectancy (hours) >100,000

Electrical Characteristics

Current Draw (mA) Refer to Sealite Power Calculator
 Circuit Protection Integrated
 Nominal Voltage (V) 12
 Autonomy (days) >20 (14 hour darkness, 12.5% duty cycle)
 Temperature Range -40 to 80°C

Solar Characteristics

Solar Module Type Multicrystalline
 Output (watts) 80 (4 x 20watt)
 Charging Regulation Microprocessor controlled

Power Supply

Battery Type SLA (Sealed Lead Acid)
 Battery Capacity (Ah) 100
 Nominal Voltage (V) 12
 Battery Service Life Average 5 years

Physical Characteristics

Body Material Rotationally-moulded UV-stabilised virgin polyethylene
 Lens Material LEXAN® Polycarbonate - UV-stabilised
 Lens Diameter (mm/inches) 150 / 5 7/8
 Lens Design External optics with interior flute design
 Mounting 4 x 11mm mounting holes
 Height (mm/inches) 945 / 37 1/4
 Width (mm/inches) 665 / 26 1/4
 Mass (kg/lbs) 60 / 132 1/4
 Product Life Expectancy Up to 12 years

Certifications

CE EN61000-6-3:1997. EN61000-6-1:1997
 Quality Assurance ISO9001:2008
 Waterproof IP68 light-head

Intellectual Property

Patents US Pat. No. 6,667,582. AU Pat. No. 778,918
 Trademarks SEALITE® is a registered trademark of Sealite Pty Ltd
 3 years

Warranty *

Options Available

- 200mm bolt pattern mounting plate
- GPS Synchronisation
- RF Synchronisation
- AIS Remote Monitoring
- GSM Monitoring & Control System
- Radio Control System
- Note - remote monitoring/control will reduce visible range of lantern due to increased power consumption

* Specifications subject to change or variation without notice
 * Subject to standard terms and conditions
 † Intensity setting subject to solar availability

