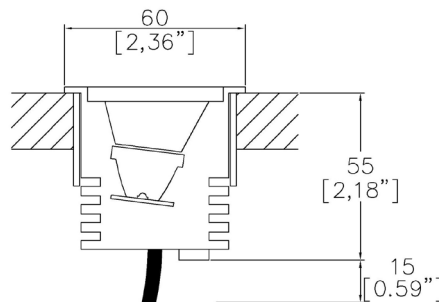


ProSpex InGround60



60mm (2.36") overall diameter. Fully recessed fixed 7° angle InGround uplight for interior and exterior installation. IP66 and IP67 rated fixtures. Family of matching products also available. Required depth



IG60-7

LED Source	LED	LED	LED	LED	LED
CCT	3000K	3000K	3000K	3000K	3000K
Drive Current	350mA	350mA	350mA	350mA	350mA
Power inc Driver	4.75W	4.75W	4.75W	4.75W	4.75W
Beam Angle	8°	15°	25°	30°	10°x 45°
Delivered Lumens		250	268	286	275
Delivered Intensity cd		2004	1347	768	1425
Efficacy lm/w		53	57	60	58
Forward Volt	11.5V	11.5V	11.5V	11.5V	11.5V
CRI	≥90 CRI	≥90 CRI	≥90 CRI	≥90 CRI	≥90 CRI
Ingress Protection	IP66/67	IP66/67	IP66/67	IP66/67	IP66/67
Impact Protection	IK08	IK08	IK08	IK08	IK08

Project Ref: _____

Location Ref: _____

Fixture Order Code: - - - -

Fixture
IG60-7

InGround60 7° Angle

CCT

27 90 CRI 2700K
30 90 CRI 3000K
40 90 CRI 4000K

Finish

BSS Brushed 316 Stainless Steel
PSS Polished 316 Stainless Steel
BRZ Flamed Bronze
ABZ Antique Bronze (Interior Only)
ASV Hard Anodised Matt Silver (Interior Only)
ABK Hard Anodised Matt Black

Beam

8 8° (Accessories cannot be used with 8°)
15 15°
25 25°
30 30°
10x45 10° x 45°

Protocol

S Non-Dim
A Analogue (0-10v)
P Phase
D DALI
B Bluetooth**

Please refer to installation instruction for wiring diagram

Installation Methods:

For pool environments please use IG60-SGTUBE or IG60-CB installation method.

IG60-SGTUBE

Soft Ground Mounting Tube:

For installation in outdoor soft ground locations

IG60-TUBE

Indoor Tube:

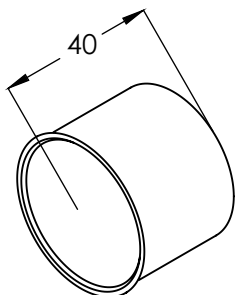
For installation in indoor floor or wall locations
Cut out: 53mm Ø

IG60-CB*

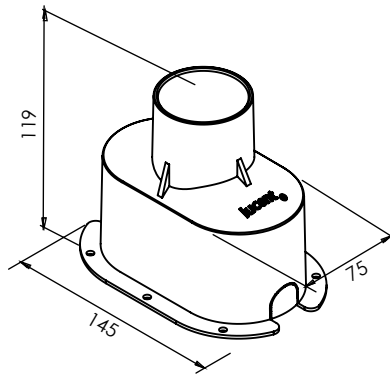
Concrete pour box:

For installation in concrete floor

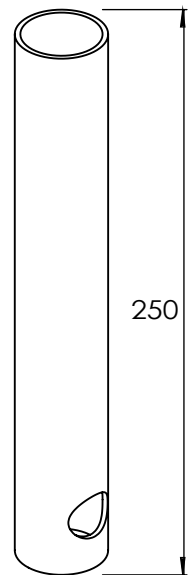
*Driver to be remote



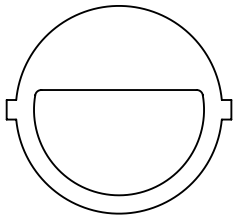
IG60-TUBE



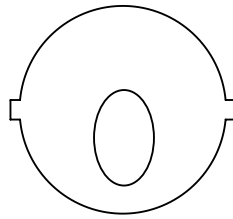
IG60-CB



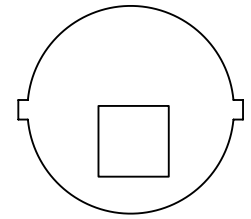
IG60-SGTUBE



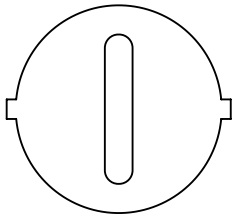
IG60-IN-SD



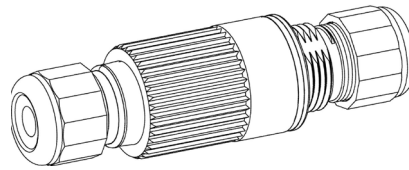
IG60-IN-EL



IG60-IN-SQ



IG60-IN-SL



TH381

Accessories Order Code:

Accessories

- IG60-IN-SD Glare Shield
- IG60-IN-EL Elliptical Beam Effect
- IG60-IN-SQ Square Beam Effect
- IG60-IN-SL Narrow Slot Effect
- TH381 IP68 Connector

Accessories cannot be used with 8° beam angle

All Lucent InGround products are supplied as standard with pre-wired 1.5m lead

Technical Details

*Custom RAL code must be specified. Custom RAL colours can increase prices and lead times

Dimming. Whilst Lucent can offer the majority of its luminaires with various dimming options, it remains the responsibility of the specifier/installer to check and ensure compatibility of any control equipment used. Additional cabling may be required depending on the dimming protocol specified.

**Bluetooth (wireless) is the communication method. The exact dimming protocol must be confirmed to allow the selection of suitable drivers or bluetooth devices.

^ Depth indicated is the minimum recess depth for the luminaire with a remote mounted LED driver. Installing a driver through either the luminaire cut-out or installation kit may require additional recess depth, please refer to the relevant luminaire installation instructions for further details. Data correct at time of publishing

First Fix Requirement. Luminaire comprised of fixture body with ceiling trim and installation kit, which is to be fitted into the ceiling once finished. Ensure correct alignment of the installation kit before final assembly (see luminaire installation instructions for details)

IP Rating. Tested from underside of the ceiling

It is the policy of Lucent Lighting to continually review and improve its products and therefore reserve the right to change any details of product or withdraw specifications without prior notice.

Luminaires designed to comply with EN60598 and all other standards.

This specification sheet supersedes all previous versions.

All intellectual property rights pertaining to the product described above and to this document are owned by or licensed to Lucent Lighting Ltd.

We reserve the right to take whatever action is necessary to protect those intellectual property rights.

Please notify Lucent Lighting Ltd of any inaccuracies immediately. E&OE

Light efficiency:

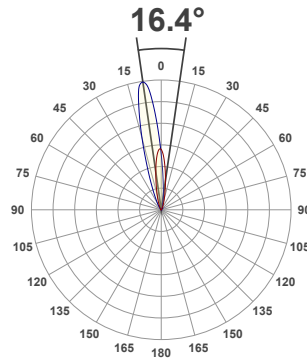
53 Lumen/Watt

Light quality:

CRI: 92.8

Color temperature:

3000 K



Product name:

IG60-7-30-15-350mA

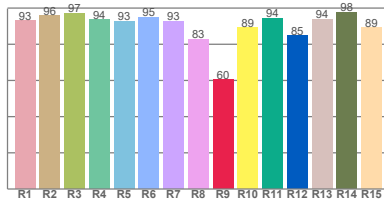
Item number:

InGround60 Angled 3000K 15deg 350mA

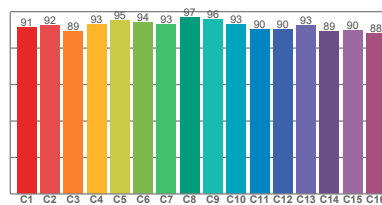
Delivered information for above fixture and LED combination.

Output: 250 Lumen Peak intensity: 2004 cd Power consumption: 4.7

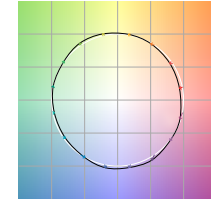
CRI R values



TM30 C Values

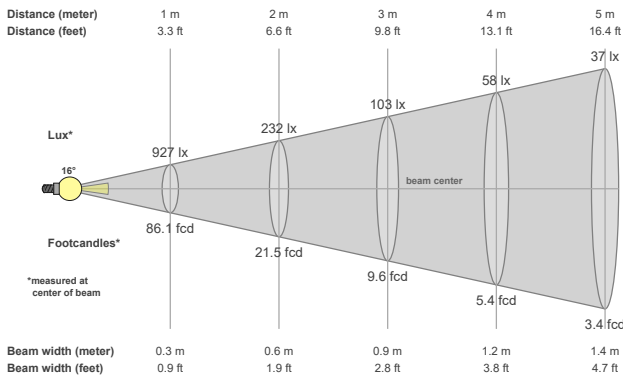


Color vector graphics



Color temperature	Color rendering index	Red component	Color fidelity	Color gamut	Color quality scale	Color coordinate cie 1931	Color coordinate cie 1931	Color coordinate	Color coordinate	Color deviation from black body
CCT	CRI	CRI R9	TM30 Rf	TM30 Rg	CQS	x	y	u	v	Δuv
3000 K	92.8	60.4	92.1	100.4	90.9	0.437	0.404	0.251	0.347	-0.0004

Beam details



Beam angles

Beam angle 50%	Field angle 10%	Cutoff angle 2,5%
16.4°	39.1°	61.2°

Beam intensities

Peak intensity	Int. ratio in 120° cone	Int. ratio in 90° cone
2004 cd	99.9%	98.9%

Beam intensities from 1-20m

1m	2m	3m	4m	5m	6m	7m	8m	9m	10m	11m	12m	13m	14m	15m	16m	17m	18m	19m	20m
3.3ft	6.6ft	9.8ft	13.1ft	16.4ft	19.7ft	23ft	26.2ft	29.5ft	32.8ft	36.1ft	39.4ft	42.7ft	45.9ft	49.2ft	52.5ft	55.8ft	59.1ft	62.3ft	65.6ft
927lx	232lx	103lx	58lx	37lx	26lx	19lx	14lx	11lx	9lx	8lx	6lx	5lx	5lx	4lx	4lx	3lx	3lx	3lx	2lx
86.1fcd	21.5fcd	9.6fcd	5.4fcd	3.4fcd	2.4fcd	1.8fcd	1.3fcd	1.1fcd	0.9fcd	0.7fcd	0.6fcd	0.5fcd	0.4fcd	0.4fcd	0.3fcd	0.3fcd	0.3fcd	0.2fcd	0.2fcd

The above information is for 3000K colour temperature, for specific module information please see LED spec located on our website

For information regarding other colour temperatures please use the following factors for lumen output and candelas:

2700K =
4000K =

Light efficiency:

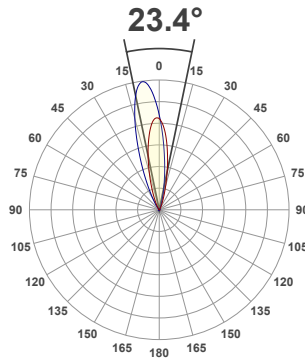
57 Lumen/Watt

Light quality:

CRI: 92.7

Color temperature:

3000 K



Product name:

IG60-7-30-25-350mA

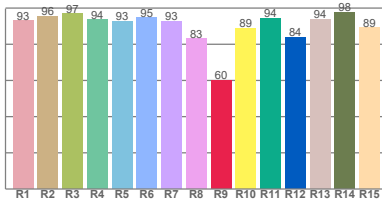
Item number:

InGround60 Angled 3000K 25deg 350mA

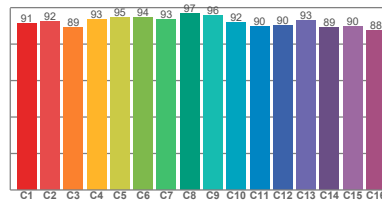
Delivered information for above fixture and LED combination.

Output: 268 Lumen Peak intensity: 1347 cd Power consumption: 4.7

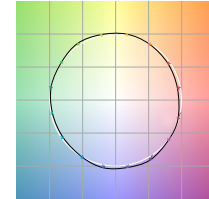
CRI R values



TM30 C Values

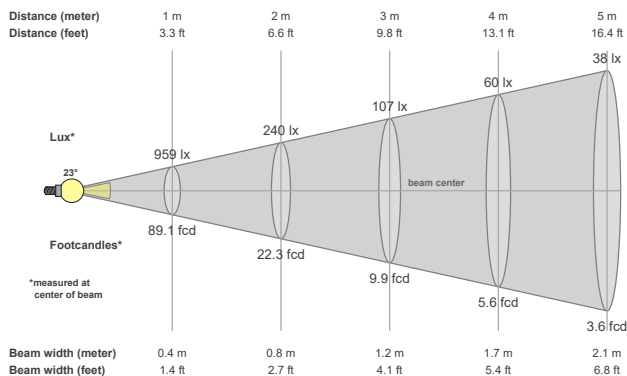


Color vector graphics



Color temperature	Color rendering index	Red component	Color fidelity	Color gamut	Color quality scale	Color coordinate cie 1931	Color coordinate cie 1931	Color coordinate	Color coordinate	Color deviation from black body
CCT	CRI	CRI R9	TM30 Rf	TM30 Rg	CQS	x	y	u	v	Δuv
3000 K	92.7	60.2	92.1	100.3	90.9	0.437	0.404	0.249	0.347	-0.0004

Beam details



Beam angles

Beam angle 50%	Field angle 10%	Cutoff angle 2,5%
23.4°	45.5°	62.1°

Beam intensities

Peak intensity	Int. ratio in 120° cone	Int. ratio in 90° cone
1347 cd	99.9%	99.6%

Beam intensities from 1-20m

1m	2m	3m	4m	5m	6m	7m	8m	9m	10m	11m	12m	13m	14m	15m	16m	17m	18m	19m	20m
3.3ft	6.6ft	9.8ft	13.1ft	16.4ft	19.7ft	23ft	26.2ft	29.5ft	32.8ft	36.1ft	39.4ft	42.7ft	45.9ft	49.2ft	52.5ft	55.8ft	59.1ft	62.3ft	65.6ft
959lx	240lx	107lx	60lx	38lx	27lx	20lx	15lx	12lx	10lx	8lx	7lx	6lx	5lx	4lx	4lx	3lx	3lx	3lx	2lx
89.1fcd	22.3fcd	9.9fcd	5.6fcd	3.6fcd	2.5fcd	1.8fcd	1.4fcd	1.1fcd	0.9fcd	0.7fcd	0.6fcd	0.5fcd	0.5fcd	0.4fcd	0.3fcd	0.3fcd	0.3fcd	0.2fcd	0.2fcd

The above information is for 3000K colour temperature, for specific module information please see LED spec located on our website

For information regarding other colour temperatures please use the following factors for lumen output and candelas:

2700K =

4000K =

Light efficiency:

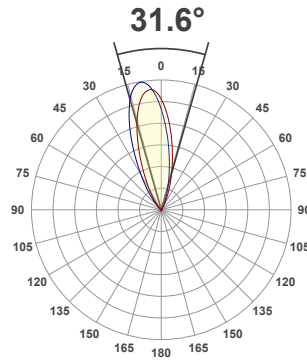
60 Lumen/Watt

Light quality:

CRI: 92.7

Color temperature:

3000 K



Product name:

IG60-7-30-30-350mA

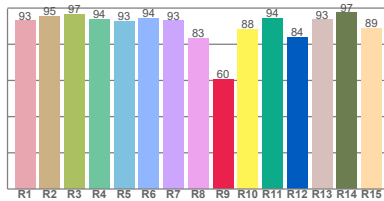
Item number:

InGround60 Angled 3000K 30deg 350mA

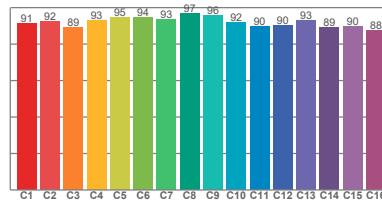
Delivered information for above fixture and LED combination.

Output: 286 Lumen Peak intensity: 768 cd Power consumption: 4.7

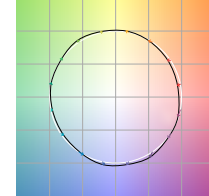
CRI R values



TM30 C Values

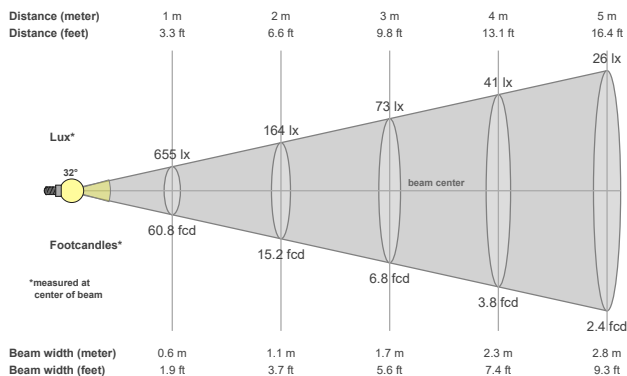


Color vector graphics



Color temperature	Color rendering index	Red component	Color fidelity	Color gamut	Color quality scale	Color coordinate cie 1931	Color coordinate cie 1931	Color coordinate	Color coordinate	Color deviation from black body
CCT	CRI	CRI R9	TM30 Rf	TM30 Rg	CQS	x	y	u	v	Δuv
3000 K	92.7	60.4	92.1	100.4	91.0	0.437	0.404	0.249	0.347	-0.0001

Beam details



Beam angles

Beam angle 50%	Field angle 10%	Cutoff angle 2,5%
31.6°	60.3°	74.4°

Beam intensities

Peak intensity	Int. ratio in 120° cone	Int. ratio in 90° cone
768 cd	99.9%	99.1%

Beam intensities from 1-20m

1m	2m	3m	4m	5m	6m	7m	8m	9m	10m	11m	12m	13m	14m	15m	16m	17m	18m	19m	20m
3.3ft	6.6ft	9.8ft	13.1ft	16.4ft	19.7ft	23ft	26.2ft	29.5ft	32.8ft	36.1ft	39.4ft	42.7ft	45.9ft	49.2ft	52.5ft	55.8ft	59.1ft	62.3ft	65.6ft
655lx	164lx	73lx	41lx	26lx	18lx	13lx	10lx	8lx	7lx	5lx	5lx	4lx	3lx	3lx	3lx	2lx	2lx	2lx	2lx
60.8fcd	15.2fcd	6.8fcd	3.8fcd	2.4fcd	1.7fcd	1.2fcd	1fcd	0.8fcd	0.6fcd	0.5fcd	0.4fcd	0.4fcd	0.3fcd	0.3fcd	0.2fcd	0.2fcd	0.2fcd	0.2fcd	0.2fcd

The above information is for 3000K colour temperature, for specific module information please see LED spec located on our website

For information regarding other colour temperatures please use the following factors for lumen output and candelas:

2700K =

4000K =

Light efficiency:

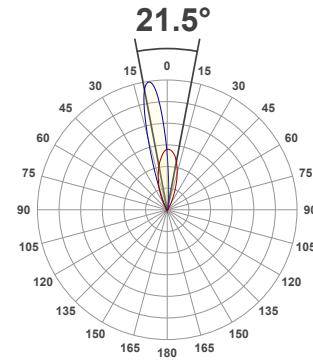
58 Lumen/Watt

Light quality:

CRI: 92.7

Color temperature:

3000 K



Product name:

IG60-7-30-10x45-350mA

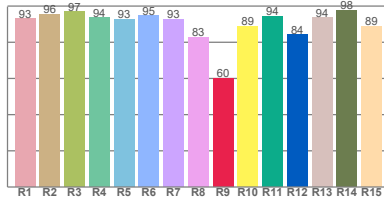
Item number:

**InGround60 Angled 3000K
10x45deg 350mA**

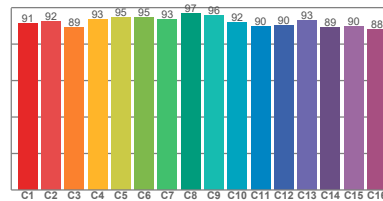
**Delivered information for above
fixture and LED combination.**

Output: 275 Lumen Peak intensity: 1424 cd Power consumption: 4.7

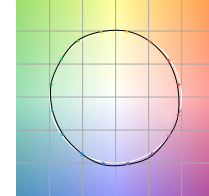
CRI R values



TM30 C Values

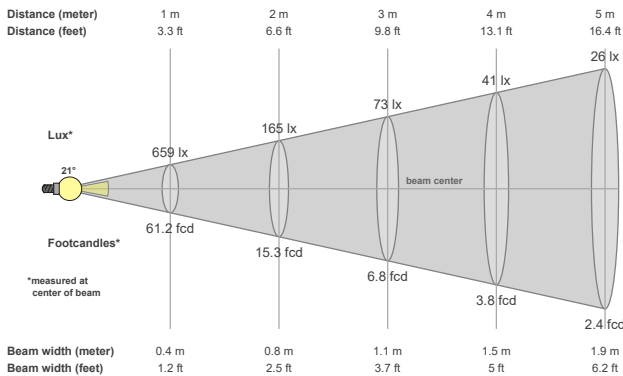


Color vector graphics



Color temperature	Color rendering index	Red component	Color fidelity	Color gamut	Color quality scale	Color coordinate cie 1931	Color coordinate cie 1931	Color coordinate	Color coordinate	Color deviation from black body
CCT	CRI	CRI R9	TM30 Rf	TM30 Rg	CQS	x	y	u	v	Δuv
3000 K	92.7	59.9	92.2	100.3	90.9	0.437	0.404	0.250	0.347	-0.0002

Beam details



Beam angles

Beam angle 50%	Field angle 10%	Cutoff angle 2,5%
21.5°	40.3°	59.7°

Beam intensities

Peak intensity	Int. ratio in 120° cone	Int. ratio in 90° cone
1424 cd	99.9%	98.0%

Beam intensities from 1-20m

1m	2m	3m	4m	5m	6m	7m	8m	9m	10m	11m	12m	13m	14m	15m	16m	17m	18m	19m	20m
3.3ft	6.6ft	9.8ft	13.1ft	16.4ft	19.7ft	23ft	26.2ft	29.5ft	32.8ft	36.1ft	39.4ft	42.7ft	45.9ft	49.2ft	52.5ft	55.8ft	59.1ft	62.3ft	65.6ft
659lx	165lx	73lx	41lx	26lx	18lx	13lx	10lx	8lx	7lx	5lx	5lx	4lx	3lx	3lx	3lx	2lx	2lx	2lx	2lx
61.2fcd	15.3fcd	6.8fcd	3.8fcd	2.4fcd	1.7fcd	1.2fcd	1fcd	0.8fcd	0.6fcd	0.5fcd	0.4fcd	0.4fcd	0.3fcd	0.3fcd	0.2fcd	0.2fcd	0.2fcd	0.2fcd	0.2fcd

The above information is for 3000K colour temperature, for specific module information please see LED spec located on our website

For information regarding other colour temperatures please use the following factors for lumen output and candelas:

2700K =
4000K =