

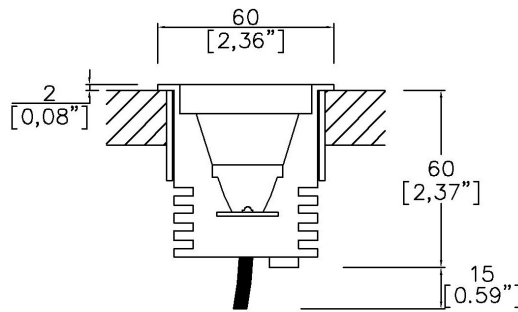
InGround60



InGround provides fully recessed uplight for interior and exterior installation. InGround products are Wet rated and include round and square variants in 1.57” and 2.36” trim.

Indoor tube, Soft ground mounting tube and concrete pour box installation available.

Available in 3 color temperatures and 5 beam angles. TRIAC/Phase, 0-10v/1-10v, DMX and DALI/digital dimming.



AIG60

LED Source	LED	LED	LED	LED	LED
CCT	3000K	3000K	3000K	3000K	3000K
Drive Current	350mA	350mA	350mA	350mA	350mA
Power inc Driver	4.75W	4.75W	4.75W	4.75W	4.75W
Beam Angle	8°	15°	25°	30°	10°x45°
Delivered Lumens	100	275	286	286	276
Delivered Intensisty cd	3519	1806	745	732	1517
Efficacy lm/w	21	58	60	60	58
Forward Volt	11.5V	11.5V	11.5V	11.5V	11.5V
CRI	≥90 CRI	≥90 CRI	≥90 CRI	≥90 CRI	≥90 CRI
Ingress Protection	IP66/67	IP66/67	IP66/67	IP66/67	IP66/67
Impact Protection	IK10	IK10	IK10	IK10	IK10

Project Ref: _____

Location Ref: _____

Specify fixture part number (All boxes must be filled in to correctly order)

AIG60						
CCT	_____					
27	2700K					
30	3000K					
40	4000K					
Finish	_____					
BSS	Brushed Stainless Steel					
BRZ	Flamed Bronze					
ABZ	Antique Bronze (Interior Only)					
Beam Angles	_____					
8	8					
15	15					
25	25					
30	30					
10x45	10x45					
Dimming Protocol[^]	_____					
S	Non-Dimmable					
P	TRIAC/Phase (120V ONLY) (25-10% Minimum Dimming) ^{***}					
LP	Lutron Forward Phase 2-Wire (1% Dimming) (120V ONLY)					
ESS	EcoSystem 5-Series (5% Dimming)					
LHE	EcoSystem Hi-Lume Fade to Black (1% Dimming)					
LAE	Lutron 3-Wire Hi-Lume (1% Dimming)					
LHP	Lutron Hi-Lume Premier EcoSystem (0.1% Dimming)					
A	0-10V (15-5% Minimum Dimming) ^{***}					
ESD	EldoLED Solo DALI2 (0.1% Dimming)					
EED	EldoLED Eco DALI2 (1% Dimming)					
ESA	EldoLED Solo 0-10V/1-10V (0.1% Dimming)					
EEA	EldoLED Eco 0-10V/1-10V (1% Dimming)					
B	Bluetooth ^{**}					
Accessories	_____					
XX	Not required					
IG60-IN-SD	Glare Shield					
IG60-IN-EL	Elliptical Beam Effect					
IG60-IN-SQ	Square Beam Effect					
IG60-IN-SL	Narrow Slot Effect					
IG60-IN-HC	Honeycomb Louver					
TH381	IP68/Wet Connector					
Installation Methods	_____					
IG60-SGTUBE	Soft Ground Mounting Tube					
IG60-Tube	Indoor Tube					
IG60-CB	Concrete Pour Box					

For exterior use an IP68/Wet connector is required.

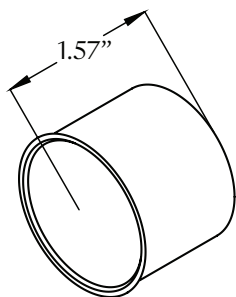
[^]Not all power supplies are available for single connection, some require series connection with multiple fittings. Consult Lucent Lighting Inc for more information.

All Lucent InGround products are supplied as standard with 5ft (1.5m) lead

Installation Methods:

IG60-TUBE Indoor Tube:

For installation in indoor floor or wall locations
Cut out: 2.09" (53mm) Ø

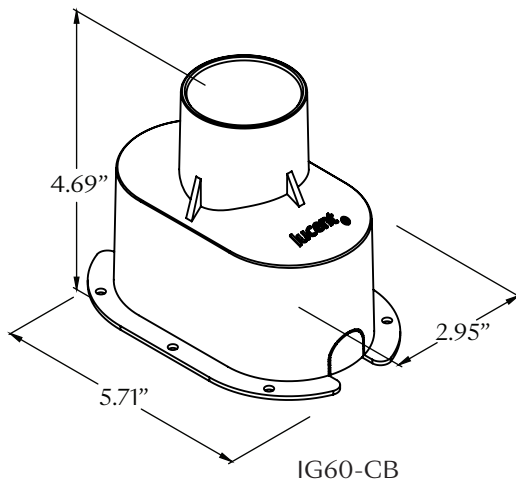


IG60-TUBE

IG60-CB* Concrete pour box:

For installation in concrete floor

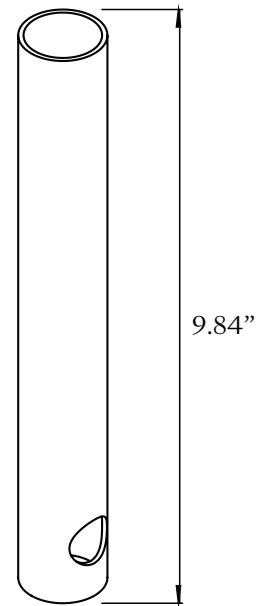
*Driver to be remote



IG60-CB

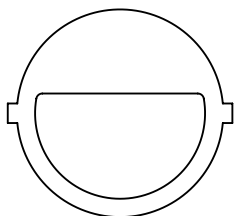
IG60-SGTUBE Soft Ground Mounting Tube:

For installation in outdoor soft ground locations

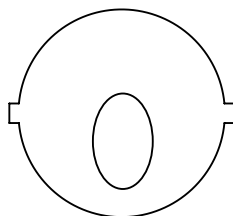


IG60-SGTUBE

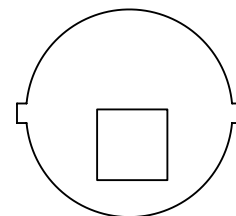
Accessories:



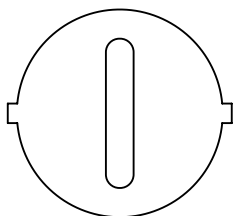
IG60-IN-SD



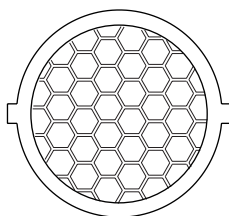
IG60-IN-EL



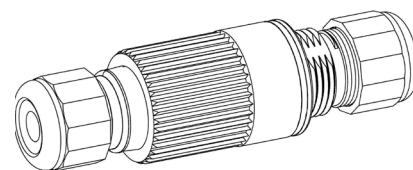
IG60-IN-SQ



IG60-IN-SL



IG60-IN-HC



TH381

.....
Technical Details

*Custom color requires a paint chip or RAL code and may increase price and lead-time

It is the responsibility of the specifier/integrator/installer to check and ensure compatibility of any control equipment used. Additional cabling may be required depending on the dimming protocol specified.

**Bluetooth (wireless) is a communication protocol. The exact dimming protocol must be confirmed to allow the selection of suitable drivers or Bluetooth devices.

***Non specific driver type, dimming performance depending on exact driver used. Contact Lucent Lighting for more information.

^ Depth indicated is the minimum recess depth for the luminaire with a remote mounted LED driver. Installing a driver through either the luminaire cut-out or installation kit may require additional recess depth, please refer to the relevant installation instructions prior to purchase.

First Fix Requirement. Luminaire comprised of fixture body with ceiling trim and installation kit, which is to be fitted into the ceiling once finished. Ensure correct alignment of the installation kit before final assembly (see luminaire installation instructions for details)

Location. Tested from underside of the ceiling.

Data correct at time of publishing. It is the policy of Lucent Lighting to continually review and improve its products and therefore reserve the right to change any details of product or withdraw specifications without prior notice.

This specification sheet supersedes all previous versions.

All intellectual property rights pertaining to the product described above and to this document are owned by or licensed to Lucent Lighting, Incorporated. Lucent Lighting reserves the right to take whatever action is necessary to protect its intellectual property, patents and trademarks

Please notify Lucent Lighting Inc. inaccuracies. E&OE
.....



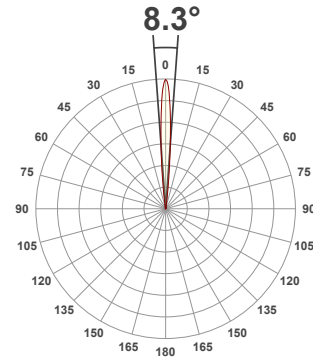
Light efficiency:



Light quality:



Color temperature:



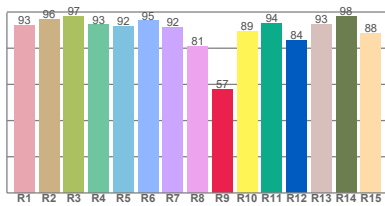
Product name:
InGround 60, 3000K, 8°, 350mA

Item number:
IG60-30-8-350mA

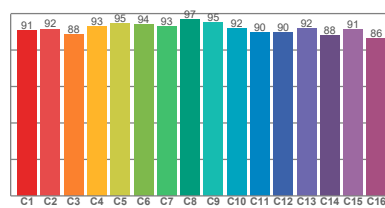
Delivered information for above fixture and LED combination.

Output: 99.9 Lumen Peak intensity: 3519 cd Power consumption: 4.7

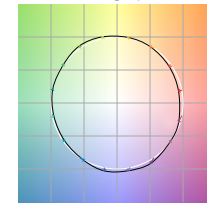
CRI R values



TM30 C Values

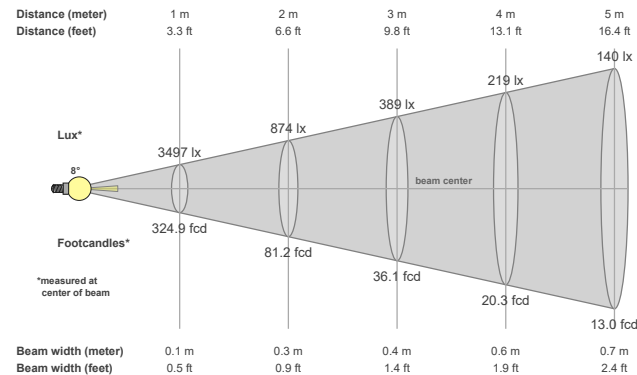


Color vector graphics



Color temperature	Color rendering index	Red component	Color fidelity	Color gamut	Color quality scale	Color coordinate cie 1931	Color coordinate cie 1931	Color coordinate	Color coordinate	Color deviation from black body
CCT	CRI	CRI R9	TM30 Rf	TM30 Rg	CQS	x	y	u	v	Δuv
3000 K	92.3	57.3	91.6	100.2	90.0	0.437	0.404	0.259	0.350	-0.0005

Beam details



Beam angles

Beam angle 50%	Field angle 10%	Cutoff angle 2,5%
8.3°	14.9°	19.8°

Beam intensities

Peak intensity	Int. ratio in 120° cone	Int. ratio in 90° cone
3519 cd	98.6%	97.8%

Beam intensities from 1-20m

1m	2m	3m	4m	5m	6m	7m	8m	9m	10m	11m	12m	13m	14m	15m	16m	17m	18m	19m	20m
3.3ft	6.6ft	9.8ft	13.1ft	16.4ft	19.7ft	23ft	26.2ft	29.5ft	32.8ft	36.1ft	39.4ft	42.7ft	45.9ft	49.2ft	52.5ft	55.8ft	59.1ft	62.3ft	65.6ft
3497lx	874lx	389lx	219lx	140lx	97lx	71lx	55lx	43lx	35lx	29lx	24lx	21lx	18lx	16lx	14lx	12lx	11lx	10lx	9lx
324.9fcd	81.2fcd	36.1fcd	20.3fcd	13fcd	9fcd	6.6fcd	5.1fcd	4fcd	3.2fcd	2.7fcd	2.3fcd	1.9fcd	1.7fcd	1.4fcd	1.3fcd	1.1fcd	1fcd	0.9fcd	0.8fcd

The above information is for 3000K colour temperature, for specific module information please see LED spec located on our website

For information regarding other colour temperatures please use the following factors for lumen output and candelas:

2700K = 0.82

4000K = 1.11

Light efficiency:

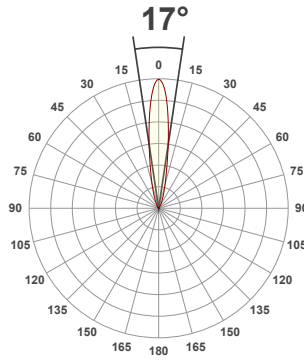
58 Lumen/Watt

Light quality:

CRI: 92.0

Color temperature:

3000 K



Product name:

InGround 60, 3000K, 15°, 350mA

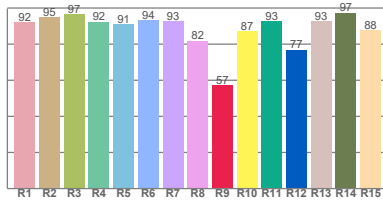
Item number:

IG60-30-15-350mA

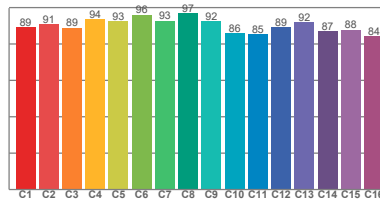
Delivered information for above fixture and LED combination.

Output: 275 Lumen Peak intensity: 1806 cd Power consumption: 4.7

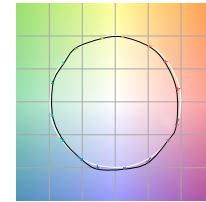
CRI R values



TM30 C Values

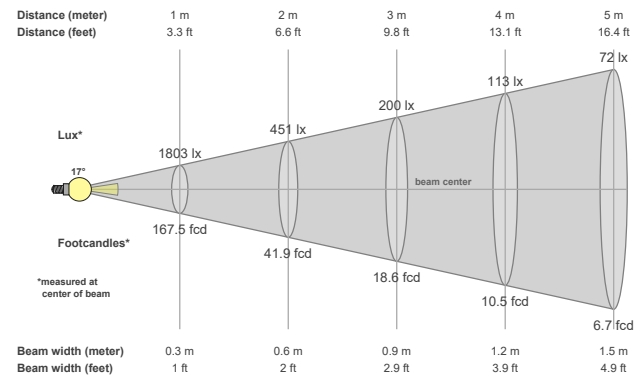


Color vector graphics



Color temperature	Color rendering index	Red component	Color fidelity	Color gamut	Color quality scale	Color coordinate cie 1931	Color coordinate cie 1931	Color coordinate	Color coordinate	Color deviation from black body
CCT	CRI	CRI R9	TM30 Rf	TM30 Rg	CQS	x	y	u	v	Δuv
3000 K	92.0	57.2	90.3	98.8	90.6	0.437	0.404	0.247	0.347	0.0011

Beam details



Beam angles

Beam angle 50%	Field angle 10%	Cutoff angle 2,5%
17°	40.5°	60°

Beam intensities

Peak intensity	Int. ratio in 120° cone	Int. ratio in 90° cone
1806 cd	99.1%	98.4%

Beam intensities from 1-20m

1m	2m	3m	4m	5m	6m	7m	8m	9m	10m	11m	12m	13m	14m	15m	16m	17m	18m	19m	20m
3.3ft	6.6ft	9.8ft	13.1ft	16.4ft	19.7ft	23ft	26.2ft	29.5ft	32.8ft	36.1ft	39.4ft	42.7ft	45.9ft	49.2ft	52.5ft	55.8ft	59.1ft	62.3ft	65.6ft
1803lx	451lx	200lx	113lx	72lx	50lx	37lx	28lx	22lx	18lx	15lx	13lx	11lx	9lx	8lx	7lx	6lx	6lx	5lx	5lx
167.5fcd	41.9fcd	18.6fcd	10.5fcd	6.7fcd	4.7fcd	3.4fcd	2.6fcd	2.1fcd	1.7fcd	1.4fcd	1.2fcd	1fcd	0.9fcd	0.7fcd	0.7fcd	0.6fcd	0.5fcd	0.5fcd	0.4fcd

The above information is for 3000K colour temperature, for specific module information please see LED spec located on our website

For information regarding other colour temperatures please use the following factors for lumen output and candelas:

2700K = 0.82

4000K = 1.11

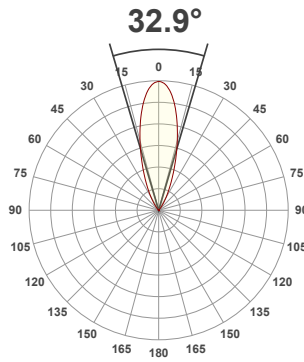
Light efficiency:



Light quality:



Color temperature:



Product name:

InGround 60, 3000K, 25°, 350mA

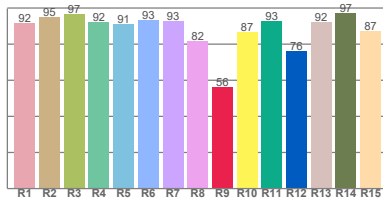
Item number:

IG60-30-25-350mA

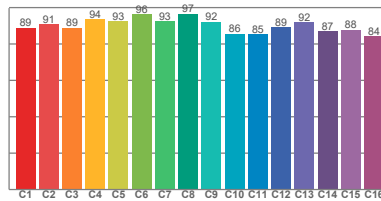
Delivered information for above fixture and LED combination.

Output: 286 Lumen Peak intensity: 745 cd Power consumption: 4.7

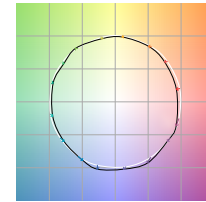
CRI R values



TM30 C Values

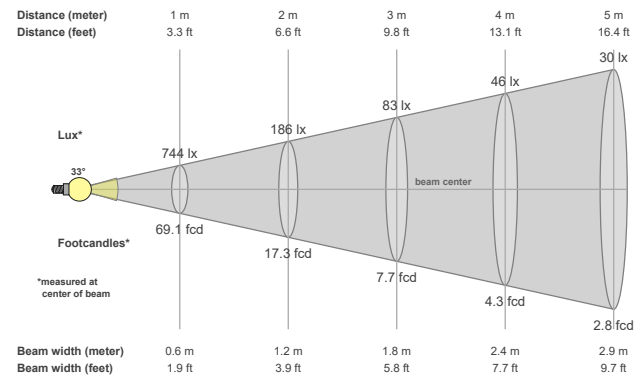


Color vector graphics



Color temperature	Color rendering index	Red component	Color fidelity	Color gamut	Color quality scale	Color coordinate cie 1931	Color coordinate cie 1931	Color coordinate	Color coordinate	Color deviation from black body
CCT	CRI	CRI R9	TM30 Rf	TM30 Rg	CQS	x	y	u	v	Δuv
3000 K	91.8	56.3	90.2	98.5	90.5	0.437	0.404	0.247	0.348	0.0016

Beam details



Beam angles

Beam angle 50%	Field angle 10%	Cutoff angle 2,5%
32.9°	62.5°	77.8°

Beam intensities

Peak intensity	Int. ratio in 120° cone	Int. ratio in 90° cone
745 cd	99.2%	98.4%

Beam intensities from 1-20m

1m	2m	3m	4m	5m	6m	7m	8m	9m	10m	11m	12m	13m	14m	15m	16m	17m	18m	19m	20m
3.3ft	6.6ft	9.8ft	13.1ft	16.4ft	19.7ft	23ft	26.2ft	29.5ft	32.8ft	36.1ft	39.4ft	42.7ft	45.9ft	49.2ft	52.5ft	55.8ft	59.1ft	62.3ft	65.6ft
744lx	186lx	83lx	46lx	30lx	21lx	15lx	12lx	9lx	7lx	6lx	5lx	4lx	4lx	3lx	3lx	3lx	2lx	2lx	2lx
69.1fcd	17.3fcd	7.7fcd	4.3fcd	2.8fcd	1.9fcd	1.4fcd	1.1fcd	0.9fcd	0.7fcd	0.6fcd	0.5fcd	0.4fcd	0.4fcd	0.3fcd	0.3fcd	0.2fcd	0.2fcd	0.2fcd	0.2fcd

The above information is for 3000K colour temperature, for specific module information please see LED spec located on our website

For information regarding other colour temperatures please use the following factors for lumen output and candelas:

2700K = 0.82

4000K = 1.11

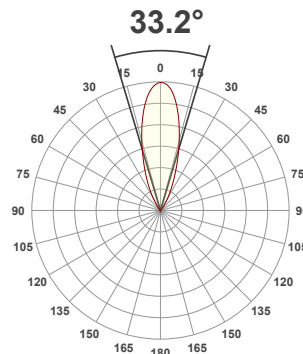
Light efficiency:



Light quality:



Color temperature:



Product name:

InGround 60, 3000K, 30°, 350mA

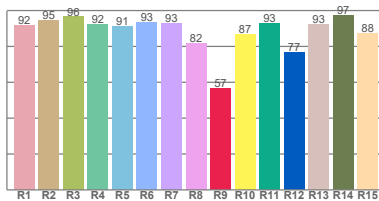
Item number:

IG60-30-30-350mA

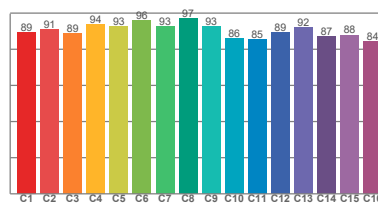
Delivered information for above fixture and LED combination.

Output: 286 Lumen Peak intensity: 732 cd Power consumption: 4.7

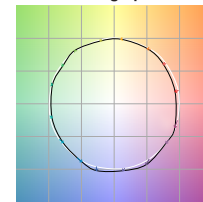
CRI R values



TM30 C Values

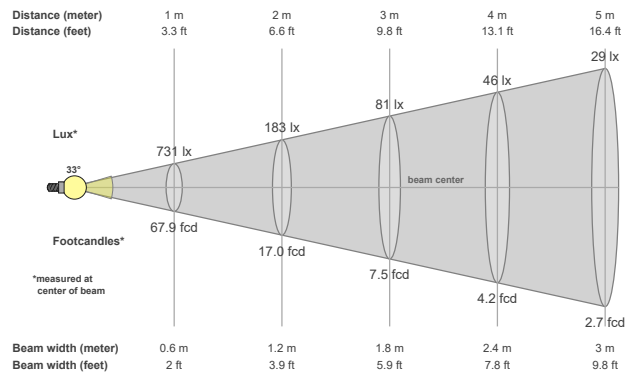


Color vector graphics



Color temperature	Color rendering index	Red component	Color fidelity	Color gamut	Color quality scale	Color coordinate cie 1931	Color coordinate cie 1931	Color coordinate	Color coordinate	Color deviation from black body
CCT	CRI	CRI R9	TM30 Rf	TM30 Rg	CQS	x	y	u	v	Δuv
3000 K	91.8	56.8	90.3	98.8	90.6	0.437	0.404	0.247	0.348	0.0015

Beam details



Beam angles

Beam angle 50%	Field angle 10%	Cutoff angle 2,5%
33.2°	62.7°	77.8°

Beam intensities

Peak intensity	Int. ratio in 120° cone	Int. ratio in 90° cone
732 cd	98.9%	98.0%

Beam intensities from 1-20m

1m	2m	3m	4m	5m	6m	7m	8m	9m	10m	11m	12m	13m	14m	15m	16m	17m	18m	19m	20m
3.3ft	6.6ft	9.8ft	13.1ft	16.4ft	19.7ft	23ft	26.2ft	29.5ft	32.8ft	36.1ft	39.4ft	42.7ft	45.9ft	49.2ft	52.5ft	55.8ft	59.1ft	62.3ft	65.6ft
731lx	183lx	81lx	46lx	29lx	20lx	15lx	11lx	9lx	7lx	6lx	5lx	4lx	4lx	3lx	3lx	3lx	2lx	2lx	2lx
67.9fcd	17fcd	7.5fcd	4.2fcd	2.7fcd	1.9fcd	1.4fcd	1.1fcd	0.8fcd	0.7fcd	0.6fcd	0.5fcd	0.4fcd	0.3fcd	0.3fcd	0.3fcd	0.2fcd	0.2fcd	0.2fcd	0.2fcd

The above information is for 3000K colour temperature, for specific module information please see LED spec located on our website

For information regarding other colour temperatures please use the following factors for lumen output and candelas:

2700K = 0.82

4000K = 1.11

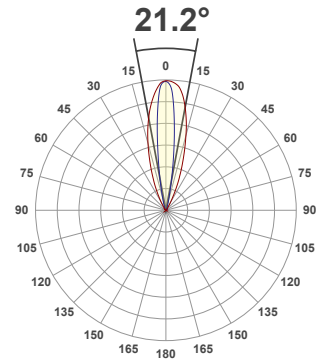
Light efficiency:



Light quality:



Color temperature:



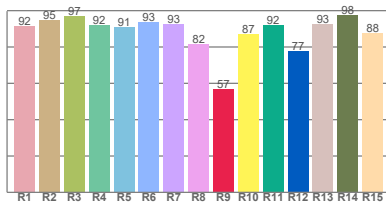
Product name:
InGround 60, 3000K, 10°x45°, 350mA

Item number:
IG60-30-10x45-350mA

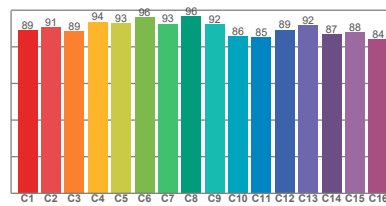
Delivered information for above fixture and LED combination.

Output: 276 Lumen Peak intensity: 1517 cd Power consumption: 4.7

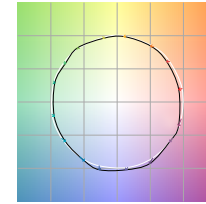
CRI R values



TM30 C Values

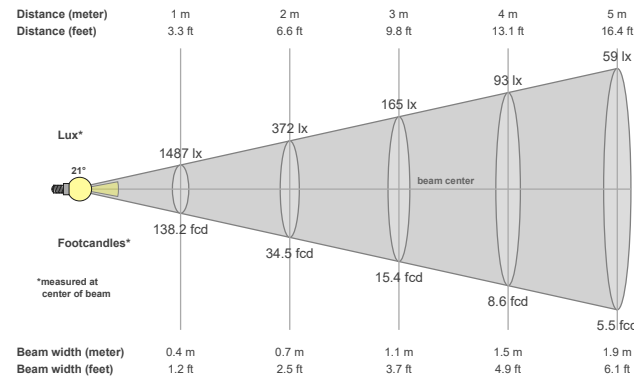


Color vector graphics



Color temperature	Color rendering index	Red component	Color fidelity	Color gamut	Color quality scale	Color coordinate cie 1931	Color coordinate cie 1931	Color coordinate	Color coordinate	Color deviation from black body
CCT	CRI	CRI R9	TM30 Rf	TM30 Rg	CQS	x	y	u	v	Δuv
3000 K	91.8	56.7	90.2	98.7	90.4	0.437	0.404	0.247	0.347	0.0010

Beam details



Beam angels

Beam angle 50%	Field angle 10%	Cutoff angle 2,5%
21.2°	39.4°	56.9°

Beam intensities

Peak intensity	Int. ratio in 120° cone	Int. ratio in 90° cone
1517 cd	100.0%	98.9%

Beam intensities from 1-20m

1m	2m	3m	4m	5m	6m	7m	8m	9m	10m	11m	12m	13m	14m	15m	16m	17m	18m	19m	20m
3.3ft	6.6ft	9.8ft	13.1ft	16.4ft	19.7ft	23ft	26.2ft	29.5ft	32.8ft	36.1ft	39.4ft	42.7ft	45.9ft	49.2ft	52.5ft	55.8ft	59.1ft	62.3ft	65.6ft
1487lx	372lx	165lx	93lx	59lx	41lx	30lx	23lx	18lx	15lx	12lx	10lx	9lx	8lx	7lx	6lx	5lx	5lx	4lx	4lx
138.2fcd	34.5fcd	15.4fcd	8.6fcd	5.5fcd	3.8fcd	2.8fcd	2.2fcd	1.7fcd	1.4fcd	1.1fcd	1fcd	0.8fcd	0.7fcd	0.6fcd	0.5fcd	0.5fcd	0.4fcd	0.4fcd	0.3fcd

The above information is for 3000K colour temperature, for specific module information please see LED spec located on our website

For information regarding other colour temperatures please use the following factors for lumen output and candelas:

2700K = 0.82
4000K = 1.11