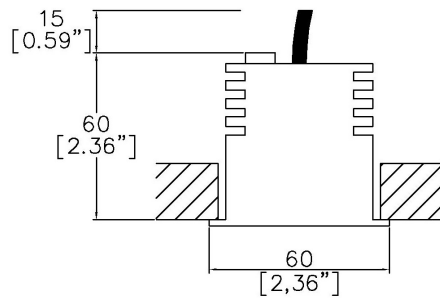


IG60 Angle Downlight



60mm (2.36") overall diameter. 7° fixed angle.
Fully recessed downlight for interior and exterior
installation. IP66 and IP67 rated fixtures. Family of
matching products also available.



IG60-7-DL
Cut out: 54mmØ

LED Source	LED	LED	LED	LED	LED
CCT	3000K	3000K	3000K	3000K	3000K
Drive Current	350mA	350mA	350mA	350mA	350mA
Power inc Driver	4.75W	4.75W	4.75W	4.75W	4.75W
Beam Angle	8°	15°	25°	30°	10°x 45°
Delivered Lumens	100	275	286	286	276
Delivered Intensity cd	3519	1806	745	732	1517
Efficacy lm/w	21	58	60	60	58
Forward Volt	11.5V	11.5V	11.5V	11.5V	11.5V
CRI	≥90 CRI	≥90 CRI	≥90 CRI	≥90 CRI	≥90 CRI
Ingress Protection	IP66/67	IP66/67	IP66/67	IP66/67	IP66/67
Impact Protection	IK08	IK08	IK08	IK08	IK08

Project Ref: _____

Location Ref: _____

Fixture Order Code: IG60-7-DL - - - -

Fixture
IG60-7-DL

IG60 7° Angle Downlight

CCT

27 90 CRI 2700K
30 90 CRI 3000K
40 90 CRI 4000K

Finish

BSS Brushed Stainless Steel
PSS Polished Stainless Steel
BRZ Flamed Bronze
ABZ Antique Bronze (Interior Only)
ASV Hard Anodised Matt Silver (Interior Only)
ABK Hard Anodised Matt Black

Beam

8 8°
15 15°
25 25°
30 30°
10x45 10° x 45°

Protocol

S Non-Dim
A Analogue (0-10v)
P Phase
D DALI
B Bluetooth**

Please refer to installation instruction for wiring diagram

Technical Details

*Custom RAL code must be specified. Custom RAL colours can increase prices and lead times

Dimming. Whilst Lucent can offer the majority of its luminaires with various dimming options, it remains the responsibility of the specifier/installer to check and ensure compatibility of any control equipment used. Additional cabling may be required depending on the dimming protocol specified.

**Bluetooth (wireless) is the communication method. The exact dimming protocol must be confirmed to allow the selection of suitable drivers or bluetooth devices.

^ Depth indicated is the minimum recess depth for the luminaire with a remote mounted LED driver. Installing a driver through either the luminaire cut-out or installation kit may require additional recess depth, please refer to the relevant luminaire installation instructions for further details. Data correct at time of publishing

First Fix Requirement. Luminaire comprised of fixture body with ceiling trim and installation kit, which is to be fitted into the ceiling once finished. Ensure correct alignment of the installation kit before final assembly (see luminaire installation instructions for details)

IP Rating. Tested from underside of the ceiling

It is the policy of Lucent Lighting to continually review and improve its products and therefore reserve the right to change any details of product or withdraw specifications without prior notice.

Luminaires designed to comply with EN60598 and all other standards.

This specification sheet supersedes all previous versions.

All intellectual property rights pertaining to the product described above and to this document are owned by or licensed to Lucent Lighting Ltd.

We reserve the right to take whatever action is necessary to protect those intellectual property rights.

Please notify Lucent Lighting Ltd of any inaccuracies immediately. E&OE

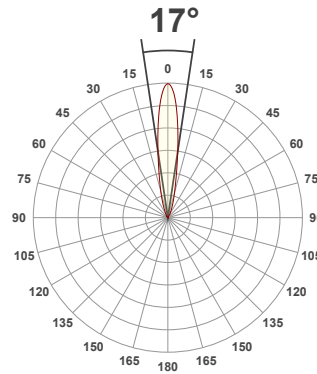
Light efficiency:



Light quality:



Color temperature:



Product name:

**IG60 Downlight, 3000K,
15°, 350mA**

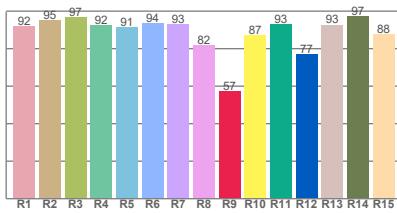
Item number:

IG60-DL-30-15-350mA

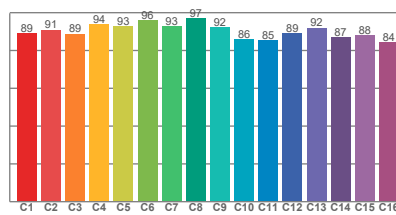
**Delivered information for
above fixture and LED
combination.**

Output: 275 Lumen Peak intensity: 1806 cd Power consumption: 4.7

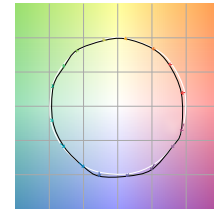
CRI R values



TM30 C Values

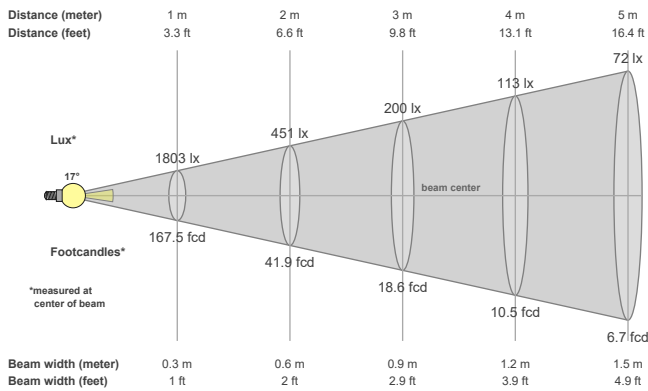


Color vector graphics



Color temperature	Color rendering index	Red component	Color fidelity	Color gamut	Color quality scale	Color coordinate cie 1931	Color coordinate cie 1931	Color coordinate	Color coordinate	Color deviation from black body
CCT	CRI	CRI R9	TM30 Rf	TM30 Rg	CQS	x	y	u	v	Δuv
3000 K	92.0	57.2	90.3	98.8	90.6	0.437	0.404	0.247	0.347	0.0011

Beam details



Beam angles

Beam angle 50%	Field angle 10%	Cutoff angle 2,5%
17°	40.5°	60°

Beam intensities

Peak intensity	Int. ratio in 120° cone	Int. ratio in 90° cone
1806 cd	99.1%	98.4%

Beam intensities from 1-20m

1m	2m	3m	4m	5m	6m	7m	8m	9m	10m	11m	12m	13m	14m	15m	16m	17m	18m	19m	20m
3.3ft	6.6ft	9.8ft	13.1ft	16.4ft	19.7ft	23ft	26.2ft	29.5ft	32.8ft	36.1ft	39.4ft	42.7ft	45.9ft	49.2ft	52.5ft	55.8ft	59.1ft	62.3ft	65.6ft
1803lx	451lx	200lx	113lx	72lx	50lx	37lx	28lx	22lx	18lx	15lx	13lx	11lx	9lx	8lx	7lx	6lx	6lx	5lx	5lx
167.5fcd	41.9fcd	18.6fcd	10.5fcd	6.7fcd	4.7fcd	3.4fcd	2.6fcd	2.1fcd	1.7fcd	1.4fcd	1.2fcd	1fcd	0.9fcd	0.7fcd	0.7fcd	0.6fcd	0.5fcd	0.5fcd	0.4fcd

The above information is for 3000K colour temperature, for specific module information please see LED spec located on our website

For information regarding other colour temperatures please use the following factors for lumen output and candelas:

2700K = 0.82
4000K = 1.11

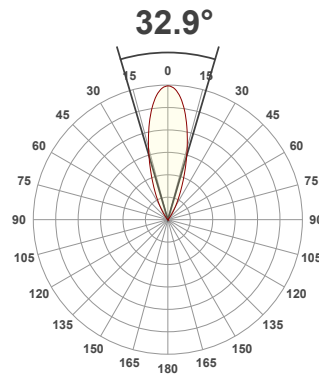
Light efficiency:



Light quality:



Color temperature:



Product name:

IG60 Downlight, 3000K, 25°, 350mA

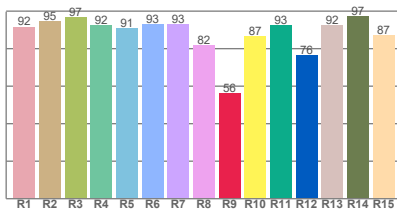
Item number:

IG60-DL-30-25-350mA

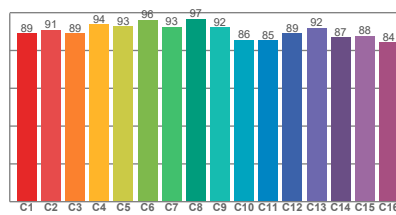
Delivered information for above fixture and LED combination.

Output: 286 Lumen Peak intensity: 745 cd Power consumption: 4.7

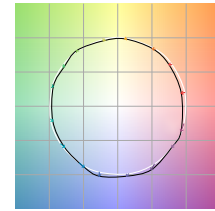
CRI R values



TM30 C Values

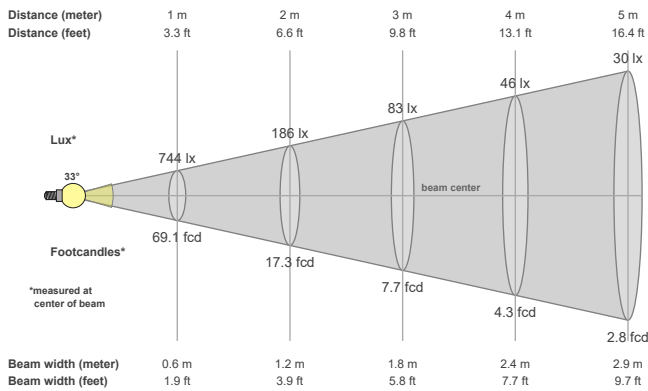


Color vector graphics



Color temperature	Color rendering index	Red component	Color fidelity	Color gamut	Color quality scale	Color coordinate cie 1931	Color coordinate cie 1931	Color coordinate	Color coordinate	Color deviation from black body
CCT	CRI	CRI R9	TM30 Rf	TM30 Rg	CQS	x	y	u	v	Δuv
3000 K	91.8	56.3	90.2	98.5	90.5	0.437	0.404	0.247	0.348	0.0016

Beam details



Beam angles

Beam angle 50%	Field angle 10%	Cutoff angle 2,5%
32.9°	62.5°	77.8°

Beam intensities

Peak intensity	Int. ratio in 120° cone	Int. ratio in 90° cone
745 cd	99.2%	98.4%

Beam intensities from 1-20m

1m	2m	3m	4m	5m	6m	7m	8m	9m	10m	11m	12m	13m	14m	15m	16m	17m	18m	19m	20m
3.3ft	6.6ft	9.8ft	13.1ft	16.4ft	19.7ft	23ft	26.2ft	29.5ft	32.8ft	36.1ft	39.4ft	42.7ft	45.9ft	49.2ft	52.5ft	55.8ft	59.1ft	62.3ft	65.6ft
744lx	186lx	83lx	46lx	30lx	21lx	15lx	12lx	9lx	7lx	6lx	5lx	4lx	4lx	3lx	3lx	3lx	2lx	2lx	2lx
69.1fcd	17.3fcd	7.7fcd	4.3fcd	2.8fcd	1.9fcd	1.4fcd	1.1fcd	0.9fcd	0.7fcd	0.6fcd	0.5fcd	0.4fcd	0.4fcd	0.3fcd	0.3fcd	0.2fcd	0.2fcd	0.2fcd	0.2fcd

The above information is for 3000K colour temperature, for specific module information please see LED spec located on our website

For information regarding other colour temperatures please use the following factors for lumen output and candelas:

2700K = 0.82
4000K = 1.11

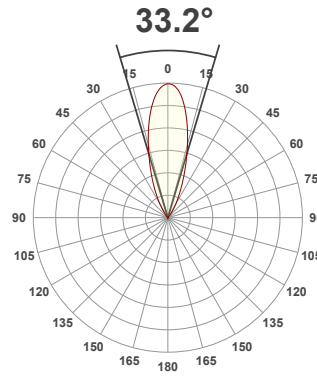
Light efficiency:



Light quality:



Color temperature:



Product name:

IG60 Downlight, 3000K, 30°, 350mA

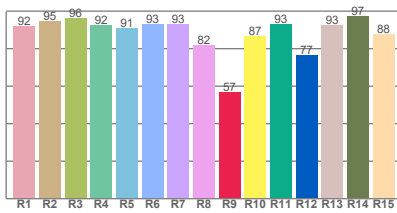
Item number:

IG60-DL-30-30-350mA

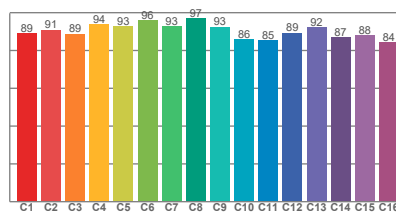
Delivered information for above fixture and LED combination.

Output: 286 Lumen Peak intensity: 732 cd Power consumption: 4.7

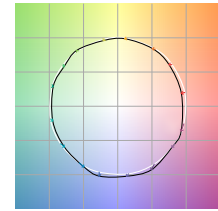
CRI R values



TM30 C Values

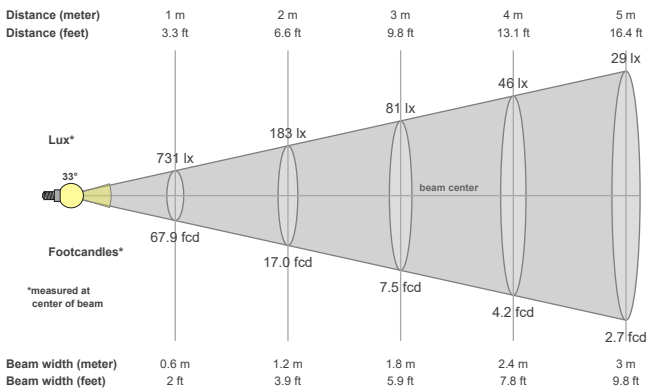


Color vector graphics



Color temperature	Color rendering index	Red component	Color fidelity	Color gamut	Color quality scale	Color coordinate cie 1931	Color coordinate cie 1931	Color coordinate	Color coordinate	Color deviation from black body
CCT	CRI	CRI R9	TM30 Rf	TM30 Rg	CQS	x	y	u	v	Δuv
3000 K	91.8	56.8	90.3	98.8	90.6	0.437	0.404	0.247	0.348	0.0015

Beam details



Beam angels

Beam angle 50%	Field angle 10%	Cutoff angle 2,5%
33.2°	62.7°	77.8°

Beam intensities

Peak intensity	Int. ratio in 120° cone	Int. ratio in 90° cone
732 cd	98.9%	98.0%

Beam intensities from 1-20m

1m	2m	3m	4m	5m	6m	7m	8m	9m	10m	11m	12m	13m	14m	15m	16m	17m	18m	19m	20m
3.3ft	6.6ft	9.8ft	13.1ft	16.4ft	19.7ft	23ft	26.2ft	29.5ft	32.8ft	36.1ft	39.4ft	42.7ft	45.9ft	49.2ft	52.5ft	55.8ft	59.1ft	62.3ft	65.6ft
731lx	183lx	81lx	46lx	29lx	20lx	15lx	11lx	9lx	7lx	6lx	5lx	4lx	4lx	3lx	3lx	3lx	2lx	2lx	2lx
67.9fcd	17fcd	7.5fcd	4.2fcd	2.7fcd	1.9fcd	1.4fcd	1.1fcd	0.8fcd	0.7fcd	0.6fcd	0.5fcd	0.4fcd	0.3fcd	0.3fcd	0.3fcd	0.2fcd	0.2fcd	0.2fcd	0.2fcd

The above information is for 3000K colour temperature, for specific module information please see LED spec located on our website

For information regarding other colour temperatures please use the following factors for lumen output and candelas:

2700K = 0.82
4000K = 1.11

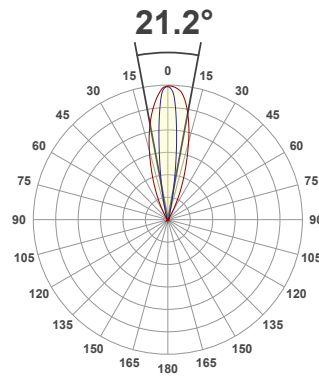
Light efficiency:



Light quality:



Color temperature:



Product name:

**IG60 Downlight, 3000K,
10°x45°, 350mA**

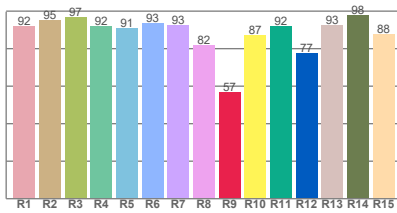
Item number:

IG60-DL-30-10x45-350mA

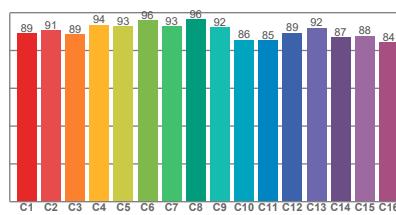
**Delivered information for
above fixture and LED
combination.**

Output: 276 Lumen Peak intensity: 1517 cd Power consumption: 4.7

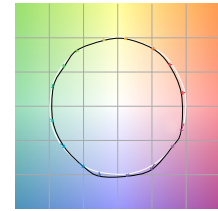
CRI R values



TM30 C Values

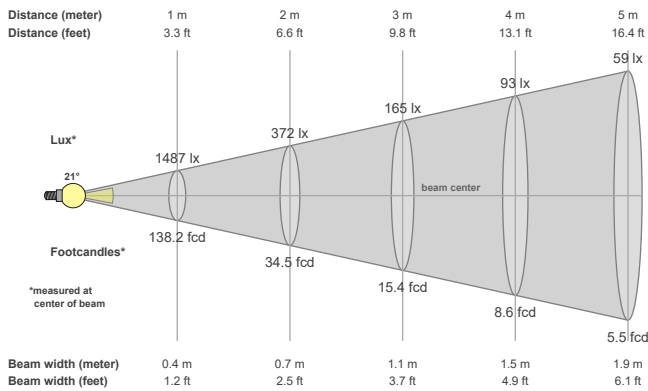


Color vector graphics



Color temperature	Color rendering index	Red component	Color fidelity	Color gamut	Color quality scale	Color coordinate cie 1931	Color coordinate cie 1931	Color coordinate	Color coordinate	Color deviation from black body
CCT	CRI	CRI R9	TM30 Rf	TM30 Rg	CQS	x	y	u	v	Δuv
3000 K	91.8	56.7	90.2	98.7	90.4	0.437	0.404	0.247	0.347	0.0010

Beam details



Beam angels

Beam angle 50%	Field angle 10%	Cutoff angle 2,5%
21.2°	39.4°	56.9°

Beam intensities

Peak intensity	Int. ratio in 120° cone	Int. ratio in 90° cone
1517 cd	100.0%	98.9%

Beam intensities from 1-20m

1m	2m	3m	4m	5m	6m	7m	8m	9m	10m	11m	12m	13m	14m	15m	16m	17m	18m	19m	20m
3.3ft	6.6ft	9.8ft	13.1ft	16.4ft	19.7ft	23ft	26.2ft	29.5ft	32.8ft	36.1ft	39.4ft	42.7ft	45.9ft	49.2ft	52.5ft	55.8ft	59.1ft	62.3ft	65.6ft
1487lx	372lx	165lx	93lx	59lx	41lx	30lx	23lx	18lx	15lx	12lx	10lx	9lx	8lx	7lx	6lx	5lx	5lx	4lx	4lx
138.2fcd	34.5fcd	15.4fcd	8.6fcd	5.5fcd	3.8fcd	2.8fcd	2.2fcd	1.7fcd	1.4fcd	1.1fcd	1fcd	0.8fcd	0.7fcd	0.6fcd	0.5fcd	0.5fcd	0.4fcd	0.4fcd	0.3fcd

The above information is for 3000K colour temperature, for specific module information please see LED spec located on our website

For information regarding other colour temperatures please use the following factors for lumen output and candelas:

2700K = 0.82
4000K = 1.11