

THERMOBILE®



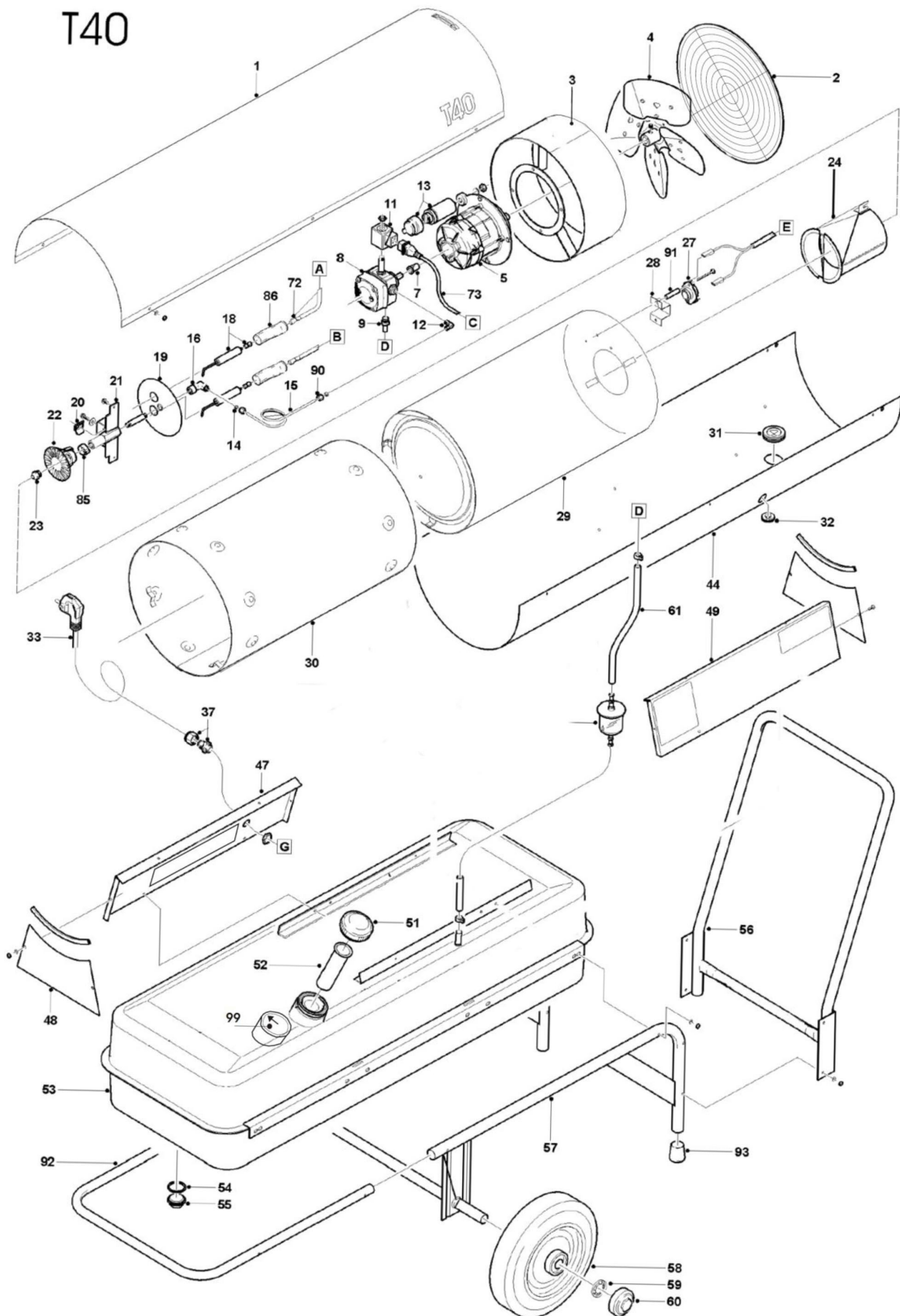
Spare Parts T / TA / TAS / 40 / 80

Thermobile Industries BV +31(0)76 587 34 50
Fax +31 (0)76 587 27 89 info@thermobile.nl www.thermobile.com

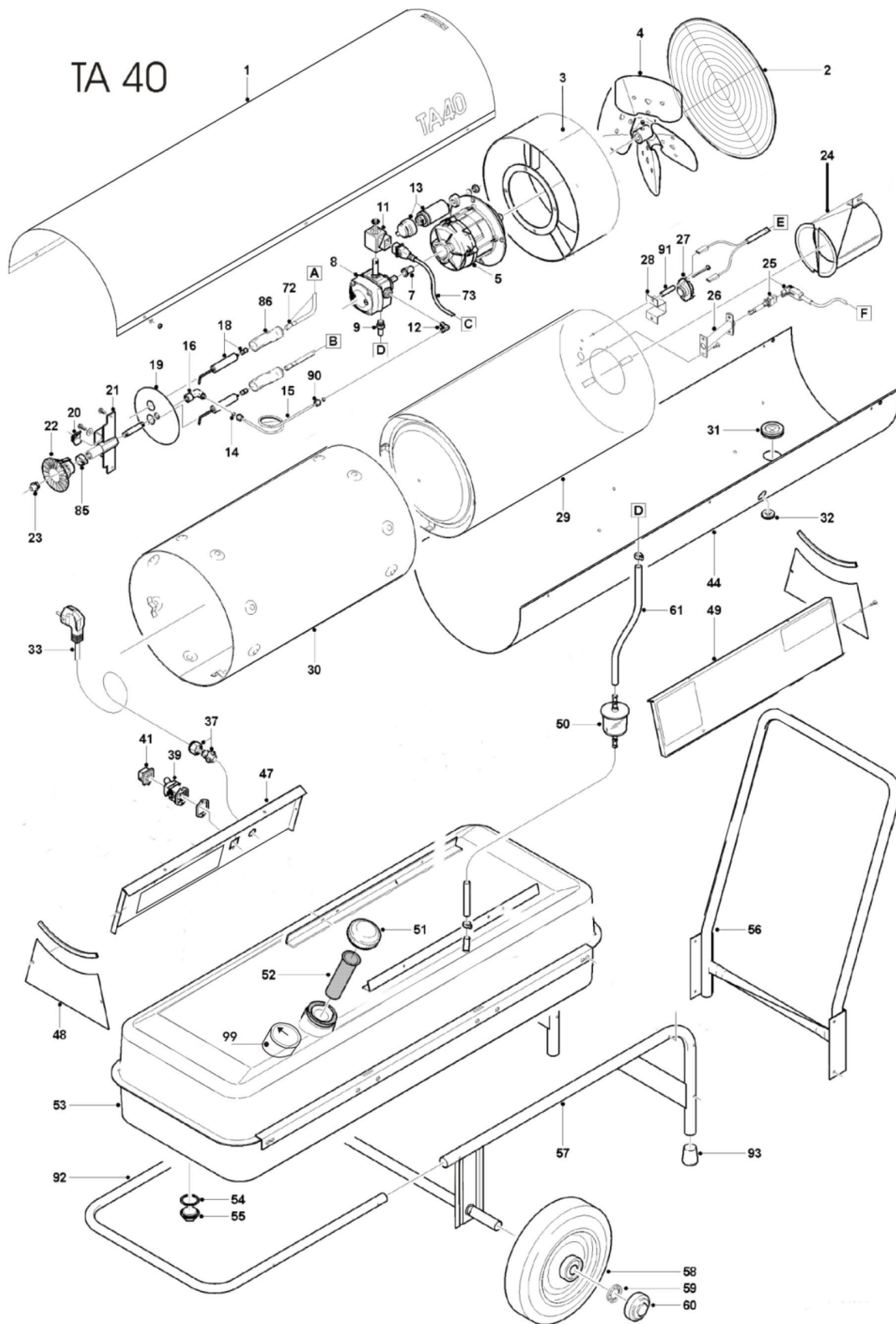
Thermobile UK Ltd +44 (0) 2476 35 79 60
Fax +44(0) 2476 35 79 69 info@thermobile.co.uk www.thermobile.co.uk

Thermobile France S.a.r.l. +33(0)2 38 76 59 25
Fax +33(0)2 38 76 58 93 info@thermobile.fr www.thermobile.fr

THERMOBILE®

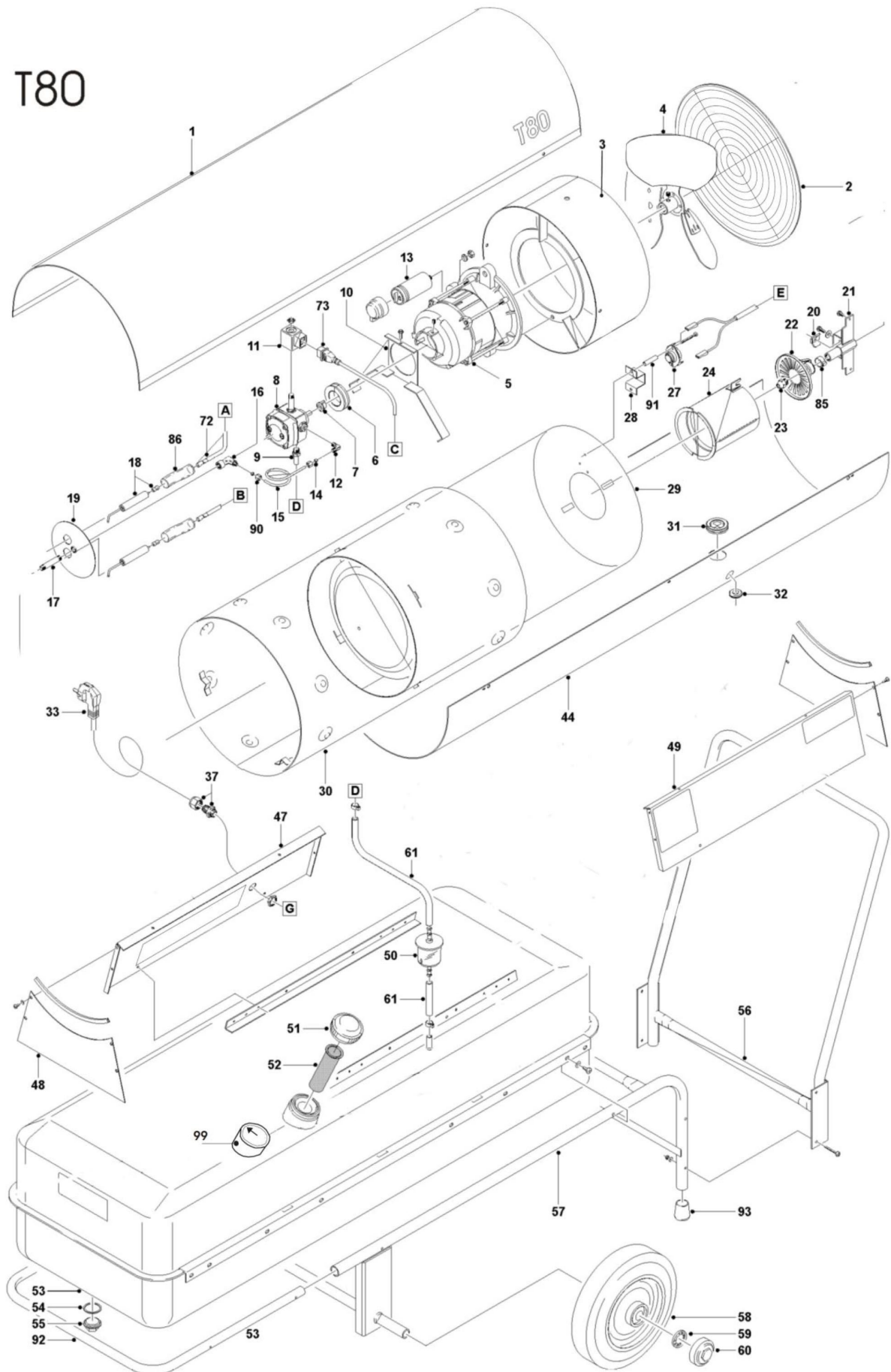


THERMOBILE®



THERMOBILE®

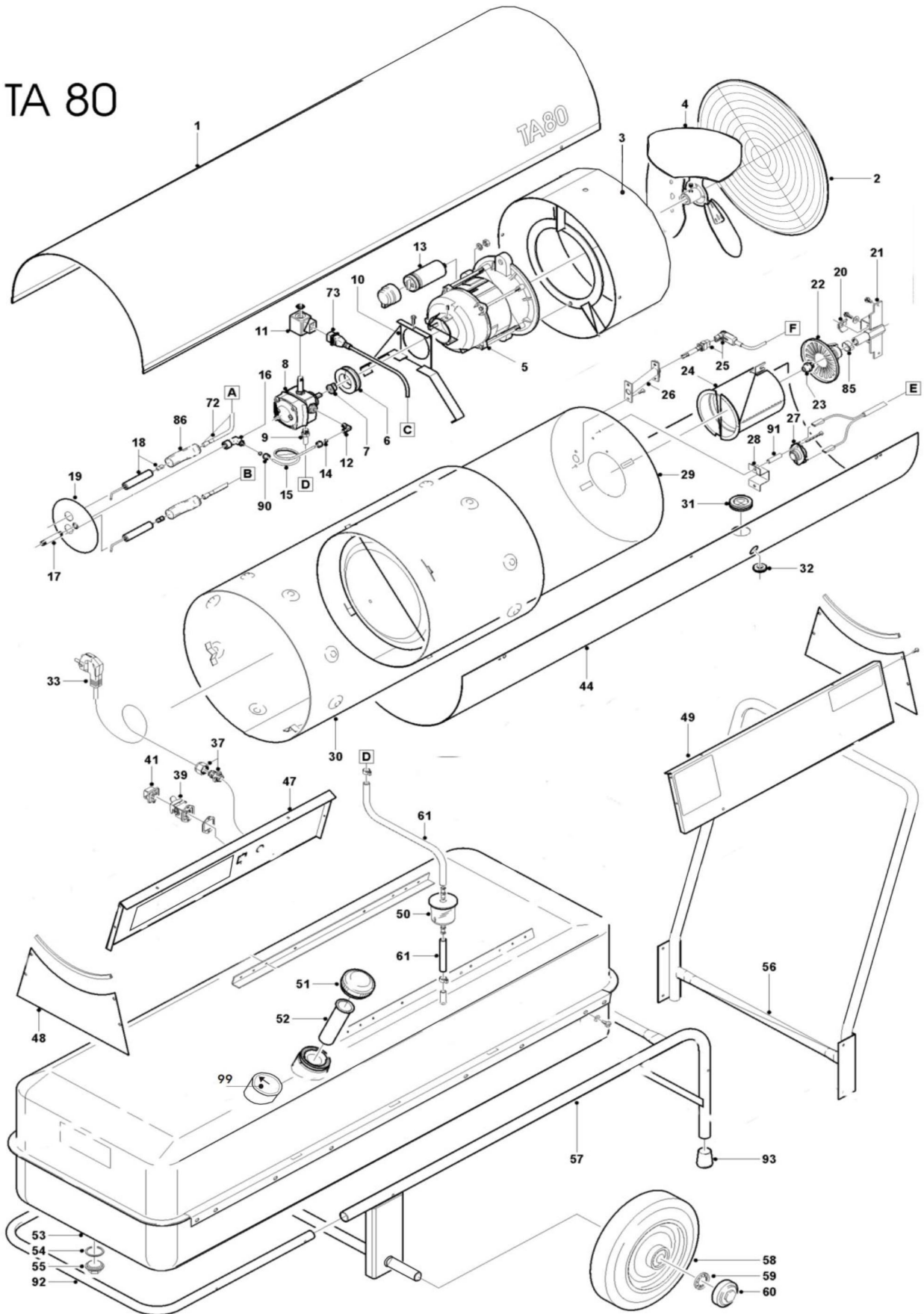
T80



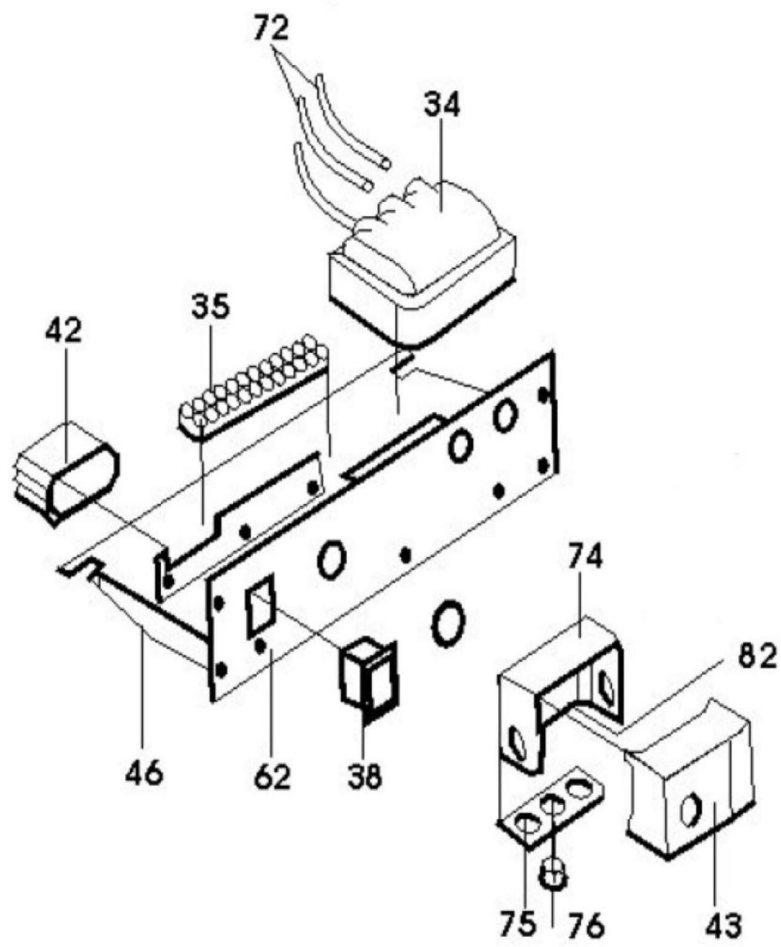
THERMOBILE®

THERMOBILE

TA 80



THERMOBILE®



Pos	Nederlands	English	Francais	Deutsch
1	Inspectiedeksel	Inspection cover	Couvercle supérieur	Inspektionsdeckel
2	Beschermgaas	Protection grille	Écran	Schutzgitter
3	Ventilatorhuis	Fan housing	Logement du ventilateur	Ventilatorgehäuse
4	Ventilator	Fan	Ventilateur	Ventilator
5	Motor	Electric motor	Moteur	Motor
6	Pompring	Pump ring	Anneau de la pompe	Pumpenring
7	Pompkoppeling	Pump coupling	Accouplém. de la pompe	Pumpenkupplung
8	Pomp	Pump	Pompe	Pumpe
9	Slangpilaar	Hose connection	Adapteur de tuyau	Schlauchanschluss
10	Steun	Support	Support	Stütze
11	Magneetventiel	Magnetic valve	Vanne électro-magnétique	Magnetventil
12	Koppeling	Coupling, elbow	Accouplement	Kupplung
13	Kondensator	Capacitor	Condensateur	Kondensator
14	Snijring 4mm	Pipe dive, 4 mm	Anneau 4mm	Schneidring 4mm
15	Koperleiding	Fuel pipe	Tube	Kupferleitung
16	Koppeling	Coupling to burner head	Accouplement	Kupplung
17	Verbindingspijp	Connector to jet holder	Joint de tube	Verbindungsrohr
18	Elektrode	Electrode	Électrode	Elektrode
19	Luchtschuif	Air inlet plate	Prise d'air	Luftschieber
20	Elektrodebeugel	Electrode clip	Anneau d'électrode	Elektrodenbügel
21	Verstuihverhouder	Jet holder	Porteur de gicleur	Düsehalter
22	Stuwplaat	Swivel disc	Volet du gicleur	Stauscheibe
23	Verstuiver	Jet	Gicleur	Düse
24	Brandekop	Burner head housing	Tête du brûleur	Brennerkopf
25	Fotocel	Photo cell with cable	Cellule photo-électrique	Fotozelle
26a	Fotocelpijp	Photo cell pipe	Pipe de cellule photo-él	Fotozellerrohr
26b	Fotocelhouder	Photo cell tube	Support cellule photo-él	Fotozellenhalter
27	Nakoelthermostaat	Cooling safety thermostat	Thermostat de refroid.	Nachkühlthermostat
28	Thermostaatbeugel	Thermostat clip	Anneau de thermostat	Thermostatbügel
29	Branderkamer	Combustion chamber	Chambre de combustion	Brennkammer
30	Koelmantel	Cooling jacket	Virole de refroidissement	Kühlmantel
31	Tule, groot	Grummet, large	Protection, grande	Schutztülle, gross
32	Tule, klein	Grummet, small	Protection, petite	Schutztülle, klein
33	Kabel met stekker	Cable with plug	Câble avec prise	Kabel mit Stecker
34	Ontstekingsrafo	Ignition transformer	Transformateur	Zündtransformator
35	Klemmenstrook	Terminal strip	Bande de connection	Klemmleiste
36	Trafosteun	Transformer bracket	Anneau pour transform.	Trafostütze
37	Kabeldoorvoer	Cable inlet gland	Guide pour câble	Kabeldurchfuhr
38	Schakelaar	Switch	Interrupteur	Schalter
39	Aansluitplug	Thermostat socket	Connection de thermostat	Thermostatsteckdose
40	Bovendeksel	Upper cover	Couvercle	Oberdeckel
41	Brugstekker	Bridge circuit plug	Fiche court circuit	Brückenstecker
42	Hulprelais	Auxiliary relay	Relais auxiliaire	Hilfsrelais
43	Branderautomaat	Burner relay	Relais de brûleur	Brennerautomat
44	Ondermantel	Lower cover	Virole inférieure	Gehäuseunterteil
45	Kabelboom	Cable loom	Câbles électriques	Elektrische Drähte
46	Steun voor pos.43	Burner relay bracket	Anneau pour relais	Stütze für pos.43
47	Zijplaat, rechts	Side plate, right	Plaque, droite	Seitenteil, rechts
47a	Paneel	Panel		
48	Afdichtplaat	Plate	Support	Dichtungsplatte
49	Zijplaat, links	Side plate, left	Plaque, gauche	Seitenteil, links
50	Brandstofffilter	Fuel filter	Filtre du fuel	Brennstofffilter

THERMOBILE®

Pos	Nederlands	English	Français	Deutsch
51	Tankdop	Tankcap	Vouchon du réservoir	Behälterverschluss
52	Tankfilter	Tank filter	Filtre du réservoir	Filter für Behälter
53	Tank	Tank	Réservoir	Behälter
53a	Tank T-H	Tank T-H	Reservoir T-H	Behälter T-H
54	Ring	Drain plug washer	Anneau	Ring
55	Aftapplug	Drain plug	Vidange	Ablaßschraube
56	Duwbeugel	Push bar frame	Barre à pousser	Stutzbügel
57	Frame	Chassis frame	Châssis	Gestell
58	Wiel	Wheel	Roue	Rad
59	Borgring	Wheel lock ring	Anneau de fixation	Sicherungsring
60	Kap	Wheel cap	Capot	Radkappe
61	Brandstofleiding	Flexible fuel hose	Tube de fuel	Brennstoffleitung
62	Bedieningspaneel	Instrument panel	Tableau de manoeuvre	Bedieningsbrett
63	Schoorsteen	Chimney	Cheminée	Abgasstutze
64	Beugel	Clip	Collier	Bügel
65	Binnenkonus	Inner cone	Cône inférieure	Innenkonus
66	Buitenkonus	Outer cone	Cône supérieure	Aussenkonus
67	Bescherm slang	Protection hose	Tuyau	Schutzschlauch
68	Slangklem	Hose clamp	Joint de tuyau	Schlauchklemme
69	Assteun	Wheel support	Support de roue	Achsstutze
70	Schijf branderkop	Burner head disc	Disque de tête de brûleur	Brennerkopfscheibe
71	Max. thermostaat	Max. thermostat	Thermostat max.	Max. Thermostat
72	Ontstekingskabel	Ignition cabla	Câble d'allumation	Zündkabel
73	Kabel met stekker magneetventiel	Cable with plug magnetic valve	Câble avec prise vanne électro-magnétique	Kabel mit Stecker Magnetventil
74	Voet branderaut.	Support burner relais	Support relais du brûleur	Socket Brenneraut.
75	Wartelplaat	Fixation plate	Plaque écrous de serrage	Befestigungsplatte
76	Blindstop PG11	Plug PG11	Bouchon de blindage	Abdichtungstopf
78	Tule, klein	Grummet, small	Protection, petite	Tüll, klein
79	Reinigingsdeksel	Cover cleaning opening	Couvercle de nettoyage	Reinigungsdeckel
80	Pakking	Gasket	Joint de couvercle	Dichtung
81	Afdekplaat tankpijp	Cover plate tank tube	Couvre tuyau du réservoir	Abdeckplatte
82	Condensator	Capacitor	Condensateur	Kondensator
85	Klemring	Clamp ring	Collier de serrage	Klemmbügel
90	Moer	Nut	Écrou	Mutter
91	Afstandsbus	Distance tube	Douille d'écart.	Distanzhülse
92	Stootbeugel	Bumper	Bourrelet	Stoßbügel
93	Dop	Cap	Capuchon	Kappe
94	Aardeplaatje	Earth plate	Plaque de la mise à la terre	
95				
96				
97	Afstandbus	Distance tube	Douille d'écart.	Distanzhülse
98	Isolatieplaatje	Insulation plate	Plaque isolante	Isolierplatte
99	Niveaumeter	Level meter	Indicateur de niveau	Pegelanzeige
99a	Zekering houder	Fuse holder	Porte pour fusible	
99b	Zekering	Fuse	Fusible	
99c	Ring	Ring	Anneau	
99d	Ring	Ring	Anneau	
	tankverwarming	Tank heating	Chauffage du reservoir	tankheizung
100	Bakje tank.verw.	Container tank heating	Chauffe-conteneur-citerne	Behälter tankheizung
101	Doorvoertule	grommet	oeillet	tulle
102	Verw. element	Heating element	Element chauffant	heizelementes

THERMOBILE®

Pos	E	DK		
1	Tapa de inspección	Inspektionsdæksel		
2	Rede de protección	Indsugningsnet		
3	Compatimiento de ventilat.	Ventilatorhus		
4	Ventilador	Ventilator		
5	Motor	Motor		
6	Sortijo de la bomba	Pumpering		
7	Embrague de la bomba	Pumpekobling		
8	Bomba	Pumpe		
9	Clavija pivote	Slangetilslutning		
10	Soporte			
11	Válvula magnética	Magnetventil		
12	Embrague	Kobling		
13	Condensador	Kondensator		
14	Terraja de anillo 4mm	Klemfitting 4mm		
15	Tentido de cobre	Kobberledning		
16	Embrague	Kobling		
17	Tubo de comunicación	Forbindingsrfr		
18	Eléctrodo	Elektrode		
19	Pestillo de aire	Luftskive		
20	Arco eléctrodo	Elektrodebjle		
21	Portador pulverizador	Dyseholder		
22	Lámina estiba	Hvirvelplade		
23	Pulverizador	Dyse		
24	Mechero flamígero	Brænderhoved		
25	Fotocélula	Fotocelle		
26a	Portador de fotocélula	Fotocelleholder		
26b				
27	Termostato de enfriamiento	Efterklingstermostat		
28	Arco termostato	Termostatbjle		
29	Compartimenti flamígero	Brændkammer		
30	Capa de enfriamiento	Kflekappe		
31	Tul, mayor	Gummiring, stor		
32	Tul, menor	Gummiring, lille		
33	Cable eléctrico con clavija	Ledning m. stik.		
34	Inflamación transformador	Transformator		
35	Faja de ajuste	Klemmenrække		
36	Soporte transformador	Transformatorholder		
37	Cable de tránsito	Ledningsbfs		
38	Interruptor	Omskifter		
39	Clavija de comunicación	Stikdåse		
40	Tappa superiorø	Verste dæksel		
41	Tapa	Dæksel		
42	Revelador auxiliar	Hjælprelais		
43	Mechero automático	Brænderautomat		
44	Capa inferior	Underdel		
45	Mangueta de cable	Ledningssæt		
46	Apoyo del mechero pos.43	Fod for pos.43		
47	Lámina, derecha	Sideplade, hfjre		
47a				
48	Lámina de cubrir	Tætningsplade		
49	Lámina, izquierda	Sideplade, venstre		
50	Filtro carburante	Hovedfilter		

Pos				
51	Tapón del depósito	Tankdæksel		
52	Filtro del depósito	Tankfilter		
53	Depósito	Tank		
53a	Deposito T-H	Tank T H		
54	Sortijo	Ring		
55	Clavija de descarga	Aftapningsskrue		
56	Arco de empuje	Trækbjle		
57	Armazón	Stativ		
58	Rueda	Hjul		
59	Sortijo de clausura	Tætningsring		
60	Capa	Hjuldæksel		
61	Tubería de combustible	Olieledning		
62	Cuadro de maniobra	Betjeningspanel		
63	Chimenea	Skorsten		
64	Collar	Bjle		
65	Cono inferior	Indv. konus		
66	Cono superior	Udv. konus		
67	Manguito	Slange		
68	Abrazadera	Spændering		
69				
70	Lámina mechero flamigero	Brænderhovedplade		
71	Termostato max.	Maximaltermostat		
72	Inflamación cable	Ledning transformat.		
73	Cable eléctrico con clavija válvula magnética	Ledning m. stik. magnetventil		
74				
75				
76				
78	Tul, menor	Gummiring, lille		
79				
80				
81				
82	Condensador	Kondensator		
85				
90	Tuerca			
91				
92				
93				
94				
95				
96				
97				
98				
99	Medidor de nivel	Niveaumaler		
99a				
99b				
99c				
99d				
	Tanque de calentamiento	Beholder opvarmning		
100	Recipiente calentador del tanque	Container tanken varmer		
101	arandela	grommet		
102	Elemento calentador	varmeelement		

THERMOBILE®

Pos.	T 40	T 40 110V	TA 40	TAS 40
1	40.404.080_6365/01	40.404.080_6365/01	40.404.080_6365/01	40.404.080_6365/01
2	40.404.081	40.404.081	40.404.081	40.404.081
3	40.404.077_7964	40.404.077_7964	40.404.077_7964	40.404.077_7964
4	40.404.082	40.404.082	40.404.082	40.404.082
5	41.215.050	40.000.169	41.215.050	41.215.050
6				
7	40.223.041	40.202.156	40.223.041	40.223.041
8+11	40.202.261	40.809.108	40.202.261	40.202.261
9	40.406.007	40.406.007	40.406.007	40.406.007
10				
11	41.000.388	40.257.017	41.000.388	41.000.388
12	40.202.136	40.202.136	40.202.136	40.202.136
13	41.000.173	41.000.173	41.000.173	41.000.173
14	40.202.138	40.202.138	40.202.138	40.202.138
15	40.802.006	40.802.006	40.802.006	40.802.006
16	40.202.137	40.202.137	40.202.137	40.202.137
17	40.202.052	40.202.052	40.202.052	40.202.052
18	41.000.006	41.000.006	41.000.006	41.000.006
19	40.202.055	40.202.055	40.202.055	40.202.055
20	40.202.043	40.202.043	40.202.043	40.202.043
21	40.202.042_7964/03	40.202.042_7964/03	40.202.042_7964/03	40.202.042_7964/03
22	40.402.063	40.402.063	40.402.063	40.402.063
23	41.400.085	41.400.085	41.400.085	41.400.085
24	40.402.039_7964	40.402.039_7964	40.402.039_7964	40.402.039_7964
25			41.000.376	41.000.376
26b			41.000.324_7038	41.000.324_7038
26a			41.000.372	41.000.372
27	40.000.167	40.000.167	40.000.167	40.000.167
28	40.202.037	40.202.037	40.202.037	40.202.037
29	40.402.026/03	40.402.026/03	40.402.026/03	40.402.026/03
30	40.402.027/08	40.402.027/08	40.402.027/08	40.402.027/08
31	40.202.095	40.202.095	40.202.095	40.202.095
32	40.202.096	40.202.096	40.202.096	40.202.096
33	40.202.088	40.202.088	40.202.088	40.202.088
34	40.225.065	40.000.172	40.000.116	40.000.116
35	40.202.090	40.202.090	40.202.090	40.202.090
36	40.202.012/03	40.202.012/03	41.218.210/021	41.218.210/021
37	40.503.006	40.503.006	40.503.006	40.503.006
37a	40.503.304	40.503.304	40.503.304	40.503.304
38	40.507.023	40.507.023	40.507.023	40.507.023
39			40.202.087	40.202.087
40				
41			40.226.030	40.226.030
42			40.202.226	40.202.226
43			41.000.369	41.000.369
44	40.404.079_6365/01	40.404.079_6365/01	40.404.079_6365/01	40.404.079_6365/01
45	40.202.014	40.202.014	41.218.025/06	41.218.025/06
46	41.218.022/04	41.218.022/04	41.218.021/01	41.218.021/01
47	40.404.604_6365/03	40.404.604_6365/03	40.402.601_6365	40.402.601_6365
47a			41.652.111_7964	41.652.111_7964
48	40.402.009_6365/01	40.402.009_6365/01	40.402.009_6365/01	40.402.009_6365/01
49	40.402.008_6365/02	40.402.008_6365/02	40.402.008_6365/02	40.402.008_6365/02
50	40.202.084	40.202.084	40.202.084	40.404.005

THERMOBILE®

Pos.	T 40	T 40 110V	TA 40	TAS 40
51	41.404.428	41.404.428	41.404.428	
52	40.000.077	40.000.077	40.000.077	
53 53a	40.402.101_7964/02	40.402.101_7964/02	40.402.101_7964/02 40.402.001_7964/08	40.402.101_7964/02
54	40.202.208	40.202.208	40.202.208	
55	40.000.162	40.000.162	40.000.162	
56	40.402.052_7964/03	40.402.052_7964/03	40.402.052_7964/03	
57	40.402.047_7964/10	40.402.047_7964/10	40.402.047_7964/10	
58	41.800.129	41.800.129	41.800.129	
59	40.202.101	40.202.101	40.202.101	
60	40.202.102	40.202.102	40.202.102	
61	00.003.243	00.003.243	00.003.243	00.003.243
62	40.404.605_7964	40.404.605_7964	41.652.111_7964	41.652.111_7964
63				
64				
65				
66				
67	00.003.228	00.003.228	00.003.228	00.003.228
68	40.202.116	40.202.116	40.202.116	40.202.116
69				
70				
71				
72	40.403.205	40.403.205	40.000.281	40.000.281
73	40.202.099	40.202.099	40.202.099	40.202.099
74			40.202.135	40.202.135
75			40.280.049	40.280.049
76				
100			40.237.212_7964	
101			40.225.149	
102			40.237.203	
81				
82			41.900.666	41.900.666
83				
84				
85	40.509.152	40.509.152	40.509.152	40.509.152
86				
87				
88				
89				
90	40.202.141	40.202.141	40.202.141	40.202.141
91	40.202.081	40.202.081	40.202.081	40.202.081
92	40.402.006_7964/04	40.402.0006_7964/04	40.402.006_7964/04	
93	40.509.714	40.509.714	40.509.714	
94	40.506.884	40.506.884	40.506.884	40.506.884
95				
96				
97	40.000.024	40.000.024	40.000.024	40.000.024
98	40.202.112	40.202.112	40.202.112	40.202.112
99	40.404.610+99c+99d	40.404.610+99c+99d	40.404.610+99c+99d	40.404.610+99c+99d
99a			41.218.002	41.218.002
99b			41.218.003	41.218.003
99c	40.404.612	40.404.612	40.404.612	40.404.612
99d	40.404.613	40.404.613	40.404.613	40.404.613

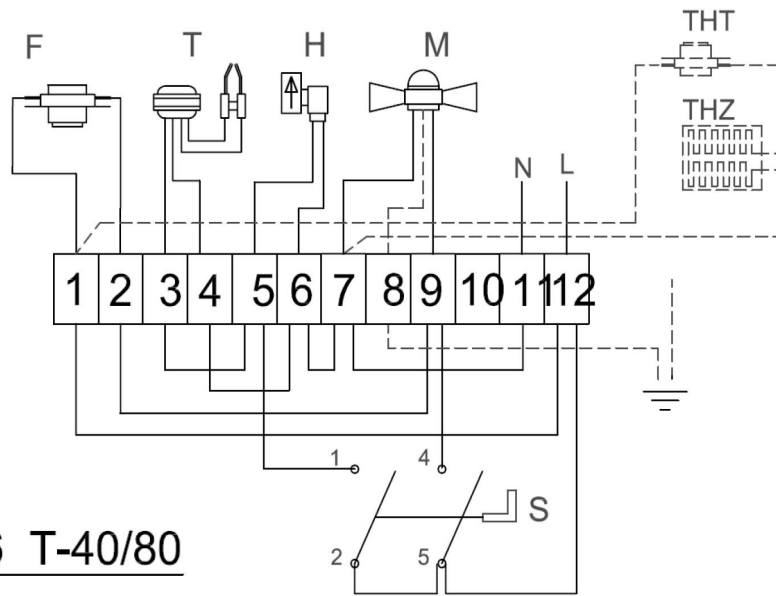
THERMOBILE®

Pos.	T 80	T 80 110V	TA 80	TAS 80
1	40.802.155_6365	40.802.155_6365	40.802.155_6365	40.802.155_636
2	41.350.043	41.350.043	41.350.043	41.350.043
3	40.802.151_7964	40.802.151_7964	40.802.151_7964	40.802.151_7964
4	40.802.152	40.802.152	40.802.152	40.802.152
5	40.800.072	40.809.105	40.800.072	40.800.072
6	40.202.082	40.202.082	40.202.082	40.202.082
7	40.202.157	40.202.157	40.202.157	40.202.157
8+11	40.202.261	40.809.108	40.202.261	40.202.261
9	40.406.007	40.406.007	40.406.007	40.406.007
10	40.802.103_7964	40.802.103_7964	40.802.103_7964	40.802.103_7964
11	41.000.388	40.257.017	41.000.388	41.000.388
12	40.202.136	40.202.136	40.202.136	40.202.136
13	41.000.201	41.000.201	41.000.201	41.000.201
14	40.202.138	40.202.138	40.202.138	40.202.138
15	40.802.006	40.802.006	40.802.006	40.802.006
16	40.202.137	40.202.137	40.202.137	40.202.137
17	40.202.052	40.202.052	40.202.052	40.202.052
18	41.000.006	41.000.006	41.000.006	41.000.006
19	40.202.055	40.202.055	40.202.055	40.202.055
20	40.202.043	40.202.043	40.202.043	40.202.043
21	40.202.042_7964/03	40.202.042_7964/03	40.202.042_7964/03	40.202.042_7964/03
22	40.467.045	40.467.045	40.467.045	40.467.045
23	40.800.067	40.800.067	40.800.067	40.800.067
24	40.807.112_7964/02	40.807.112_7964/02	40.807.112_7964/02	40.807.112_7964/02
25			41.000.376	41.000.376
26b			41.000.324_7038	41.000.324_7038
26a			41.000.372	41.000.372
27	40.000.167	40.000.167	40.000.167	40.000.167
28	40.202.037	40.202.037	40.202.037	40.202.037
29	40.802.084/05	40.802.084/05	40.802.084/05	40.807.115
30	40.802.095/05	40.802.095/05	40.802.095/05	40.802.095/05
31	40.202.095	40.202.095	40.202.095	40.202.095
32	40.202.096	40.202.096	40.202.096	40.202.096
33	40.202.088	40.202.088	40.202.088	40.202.088
34	40.225.065	40.000.172	40.000.116	40.000.116
35	40.202.090	40.202.090	40.202.090	40.202.090
36	40.202.012/03	40.202.012/03	41.218.210/021	41.218.210/021
37	40.503.006	40.503.006	40.503.006	40.503.006
37g	40.503.304	40.503.304	40.503.304	40.503.304
38	40.507.023	40.507.023	40.507.023	40.507.023
39			40.202.087	40.202.087
40				
41			40.226.030	40.226.030
42			40.202.226	40.202.226
43			41.000.369	41.000.369
44	40.802.154_6365/01	40.802.154_6365/01	40.802.154_6365/01	40.802.154_6365/01
45	40.202.014	40.202.014	41.218.025/06	41.218.025/06
51	41.404.428	41.404.428	41.404.428	
52	40.000.077	40.000.077	40.000.077	
53	40.802.201_7964/02	40.802.201_7964/02	40.802.201_7964/02	
53a			40.802.001_7964/07	
54	40.202.208	40.202.208	40.202.208	
55	40.000.162	40.000.162	40.000.162	

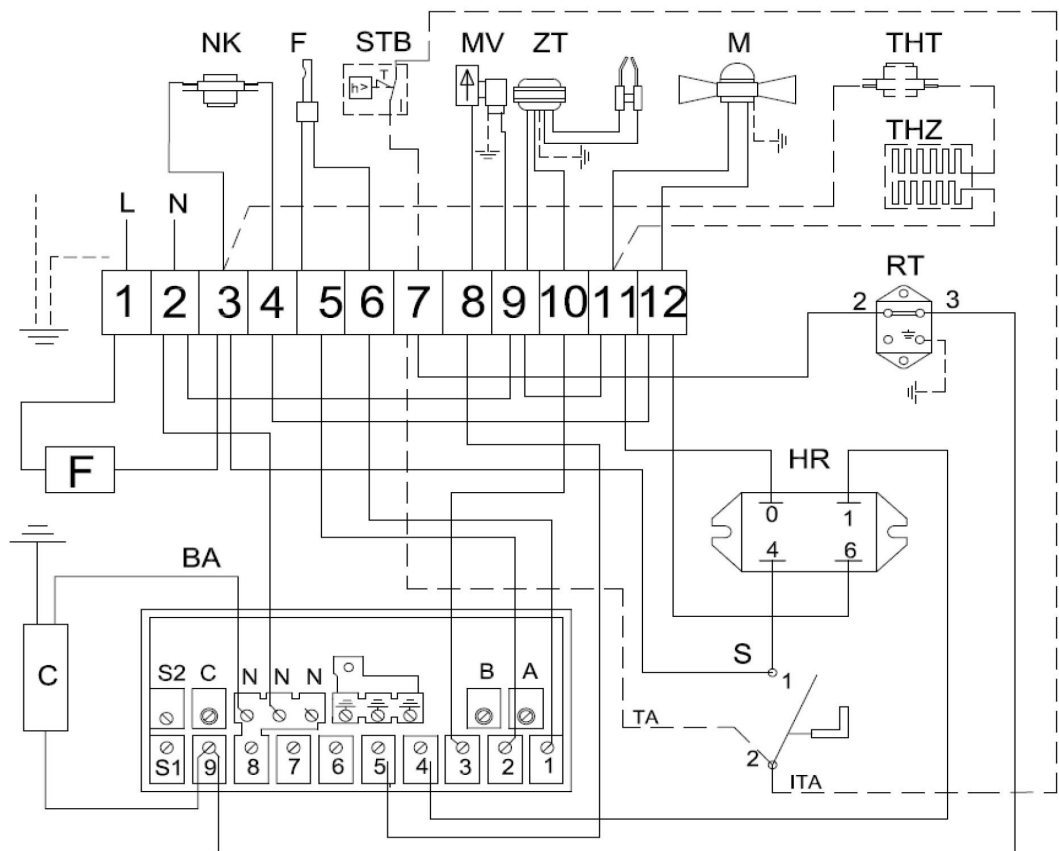
THERMOBILE®

Pos.	T 80	T 80 110V	TA 80	TAS 80
51	41.404.428	41.404.428	41.404.428	
52	40.000.077	40.000.077	40.000.077	
53	40.802.201_7964/02	40.802.201_7964/02	40.802.201_7964/02	
54	40.202.208	40.202.208	40.202.208	
55	40.000.162	40.000.162	40.000.162	
56	40.802.052_7964/03	40.802.052_7964/03	40.802.052_7964/03	
57	41.651.091_7964/03	41.651.091_7964/03	41.651.091_7964/03	
58	41.800.129	41.800.129	41.800.129	
59	40.202.101	40.202.101	40.202.101	
60	40.202.102	40.202.102	40.202.102	
61	00.003.243	00.003.243	00.003.243	00.003.243
62	40.404.605_7964	40.404.605_7964	41.652.111_7964	41.652.111_7964
63				
64				
65				
66				
67	00.003.228	00.003.228	00.003.228	00.003.228
68	40.202.116	40.202.116	40.202.116	40.202.116
69				
70				
71				
72	40.403.205	40.403.205	40.000.281	40.000.281
73	40.202.099	40.202.099	40.202.099	40.202.099
74			40.202.135	40.202.135
75			40.280.049	40.280.049
77	40.202.081	40.202.081	40.202.081	40.202.081
100			40.802.140_7964	
101			40.225.149	
102			40.402.095	
81				
82	41.900.666		41.900.666	41.900.666
83				
84				
85	40.509.152	40.509.152	40.509.152	40.509.152
86				
87				
88				
89				
90	40.202.141	40.202.141	40.202.141	40.202.141
91	40.202.081	40.202.081	40.202.081	40.202.081
92	40.802.050_7964/04	40.802.050_7964/04	40.802.050_7964/04	
93	40.509.714	40.509.714	40.509.714	
94	40.506.883	40.506.883	40.506.883	40.506.883
95			40.202.111	40.202.111
96				
97	40.000.024	40.000.024	40.000.024	40.000.024
98	40.202.112	40.202.112	40.202.112	40.202.112
99	40.404.610+99c+99d	40.404.610+99c+99d	40.404.610+99c+99d	40.404.610+99c+99d
99a			41.218.002	41.218.002
99b			41.218.003	41.218.003
99c	40.404.612	40.404.612	40.404.612	40.404.612
99d	40.404.613	40.404.613	40.404.613	40.404.613

THERMOBILE®



40.020.050/06 T-40/80



40.020.879 / 05