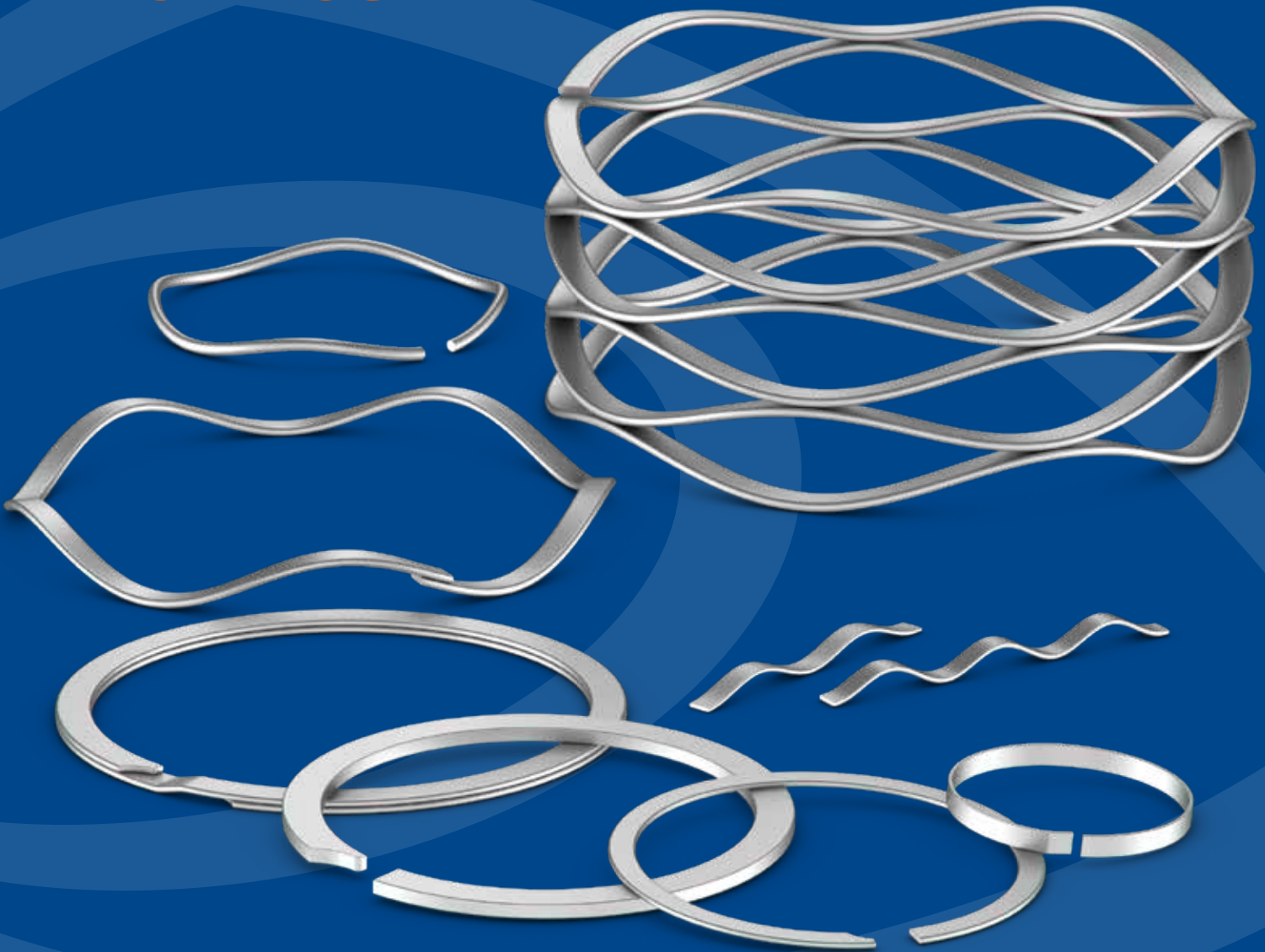


ENGINEERING AND PARTS CATALOG

**READY TO SHIP**

OVER 10,000 STANDARDS
CARBON AND STAINLESS STEEL

CUSTOM ENGINEERED PRODUCTS

.157" TO 120"
4 MM TO 3,000 MM
NO-TOOLING CHARGES™

READY TO TAKE YOUR DESIGN TO THE NEXT LEVEL?



Ask Smalley. While we offer more than 10,000 standard stock products, there's no guarantee that one of these will exactly match your specific application. We get it. We're engineers, too. We're always ready to collaborate with you to design the unique wave spring, Spirolox Retaining Ring or constant section ring that meets your exact requirements.

If your specifications don't match a Smalley part number, contact a Smalley engineer today to design and prototype a part that fits your needs and gets you to your target application performance.

Shel
Smalley Engineer

TABLE OF CONTENTS

About Smalley

Smalley Steel Ring Company	4
----------------------------------	---

About Wave Springs

General Spring Information/Comparitor	10
Spring Applications	13

Wave Springs

From Stock

Series	Spring Type	
SSR	Gap/Overlap Single Turn	16
SSR-N	Narrow Single Turn	18
RW	Wavo (Round Wire) Single Turn	19
SSB	Metric Bearing Pre-Load Single Turn.....	20
	Metric Bearing Cross Reference Chart.....	22
C/CS	Crest-to-Crest/Shim Ends	24
CM/CMS	Metric Crest-to-Crest	31
LS	Linear.....	38
SSRS	Shim.....	40
	Spring Tester/Fatigue Tester.....	41

About Retaining Rings

General Ring Information	42
Ring Selection Guide/Ring Interchange Listing.....	44
Ring Applications.....	47
Assembly/Removal Methods	50

Internal Retaining Rings

From Stock

Series	Rating, Ring Type	
VH	Light Duty Single Turn, Spirolox.....	52
WH	Medium Duty 2-Turn, Spirolox.....	54
WHW	WaveRing, Spirolox.....	57
WHT	Medium Heavy Duty 2-Turn, Spirolox.....	58
WHM	Heavy Duty 2-Turn, Spirolox	60
FHE	Heavy Duty Single Turn, Constant Section	62
HH/HHU	Hoopster	64
HHM/HHMU	Metric Hoopster	65
VHM	Metric Light Duty Single Turn, Spirolox.....	66
EH	Metric Aerospace, Spirolox	68
DNH	Metric DIN, Spirolox	70
FH	Metric DIN, Metric Constant Section	72
XAH	Constant Section.....	74
XDH	Constant Section.....	76
	ID/OD Lock.....	77

External Retaining Rings

From Stock

Series	Rating, Ring Type	
VS	Light Duty Single Turn, Spirolox.....	78
WS	Medium Duty 2-Turn, Spirolox.....	80
WSW	WaveRing, Spirolox.....	83
WST	Medium Heavy Duty 2-Turn, Spirolox.....	84
WSM	Heavy Duty 2-Turn, Spirolox	86
FSE	Heavy Duty Single Turn, Constant Section	88
HS	Hoopster	90
HSM	Metric Hoopster.....	91
VSM	Metric Light Duty Single Turn, Spirolox.....	92
ES	Metric Aerospace, Spirolox	94
DNS	Metric DIN, Spirolox	96
FS	Metric DIN, Constant Section	98
XAS	Constant Section.....	100
XDS	Constant Section.....	102

Laminar Seal Rings	103
---------------------------------	-----

Engineering

Materials / Finishes	110
Spring Design.....	115
Ring Design	121
End Configurations.....	126
Hoopster Design.....	127
Springs Checklist	128
Rings Checklist.....	129
Laminar Rings Checklist.....	130
Sample Request Form	131
How to Order	132
Glossary	134

Copyright 2015 by
Smalley Steel Ring Company
Lake Zurich, IL 60047
USA

All rights reserved

The following are trademarks of Smalley Steel Ring Company:
Gap-Type, No-Tooling-Costs, No-Tooling-Charges, Overlap-Type.

The following are registered trademarks of Smalley Steel Ring Company: All Springs Are Not Equal, Circular-Grain, Crest-to-Crest, Edgewound-Coiled, No Ears to Interfere, Quick Ship, Smalley, Spirawave, Spirolox, WaveRing, Wavo, Hoopster.

Smalley reserves the right to change dimensions.

THE ENGINEER'S CHOICE®

When engineers seek a higher level of precision and performance in retaining rings, wave springs or constant section rings, there's only one choice: **Smalley**.



From aerospace to automotive, medical, off-highway, oil & gas to industrial, Smalley has built a reputation for unsurpassed quality and an expert, collaborative engineering team. For more than 50 years, we have been the industry leader and technological pioneer—working alongside many of the world's most respected companies to give their products a true performance edge.

What makes Smalley different?

Our products—Unlike rings and springs that are die-stamped through the metal grain, our proprietary edgewinding process results in a circumferential metal grain structure that gives Smalley rings and springs exceptional strength, dimensional stability and predictable performance characteristics. All of which result in higher quality for your application.

Our engineers—At Smalley, we believe that engineers should work with engineers. So we ensure that customers work directly with our experienced and talented team. This access to technical expertise and problem solving, prototyping and collaboration is

rare in the industry. But it allows you to take your designs further than you thought possible. And our No-Tooling Charges™ process means cost-effective prototyping for you.

Our support—Every Smalley ring and spring—whether it's a unique design or one of our 10,000 stock items—is backed by our legendary customer support. Our commitment to service combined with our near-perfect record of on-time delivery has earned us an approved supplier status with leading OEM manufacturers around the world.

We're always looking for ways to expand and improve our Customer Service and Engineering/Technical Assistance. And with regional offices in the Americas, Europe and Asia, Smalley provides total global supply chain solutions to meet your worldwide manufacturing requirements.

See for yourself what the Smalley team can bring to your critical design applications. We look forward to working with you.

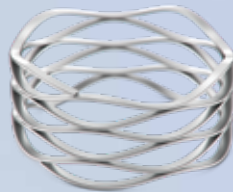
PRECISION PRODUCTS FOR CRITICAL APPLICATIONS

All Smalley retaining rings, wave springs and constant section rings are manufactured with our unique edgewinding process. This eliminates any tooling charges, greatly increases design flexibility and reduces lead times as dies do not have to be produced.



Retaining Rings

Unlike die-stamped circlips/retaining rings, Spirolox Retaining Rings are coiled to the exact diameter required. They have a uniform cross-section—or, to use our terminology, “No Ears to Interfere” within an assembly—and are free of burrs. Spirolox Retaining Rings meet military and aerospace specifications and are found in thousands of mechanical products around the world.



Wave Springs

Wave springs are precise flat wire compression springs that fit into assemblies where space is at a premium. Since the overall lengths and operating heights of wave springs are lower than those of conventional round wire springs, they will often reduce the size of the spring cavity by as much as 50%. Of course, this will also reduce the weight and raw material cost of the assembly.

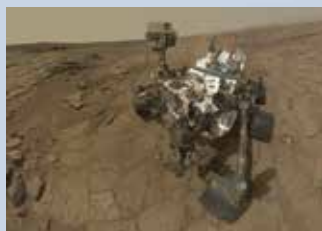


Constant Section Rings

Constant section rings, or snap rings, are often specified for heavy duty or impact-loading applications. Produced by edgewinding, they are fixtures in the automotive and heavy equipment industries as their larger cross section produces strength and durability. In addition, a variety of Smalley end types are available for easy application in a wide range of applications.



Automation



Space Exploration



Medical



Energy



Consumer Products



Heavy Machinery



Aerospace



Automotive

ENGINEERING AND DESIGN ASSISTANCE

“Ask Smalley” is more than a tagline. For our engineering team, it’s a call to action. We are always ready to address your application requirements and work together to take your design to a higher level of performance.

Tap Our Knowledge Early

Usually, the sooner we are able to review your requirements, the easier the solution will be. Getting Smalley engineers involved early in your design process usually produces the best results.

Draw Upon Our Extensive Resources

Our engineering team has compiled a library of more than 25,000 applications while designing rings and springs in mechanical components and assemblies. In addition, we offer computer-aided spring-design alternatives to meet your specifications.

We also offer additional step-by-step resources. The “Custom Designs” section of this catalog will help you determine basic retaining ring and wave spring specifications. Our website offers interactive design guideline and options to help you get the most from your application.

Put Us On Your Team

There are many more options we can review with you once your design criteria are established. For example, we can help you with the selection of a standard part from our vast inventory, or work together to modify a standard part to meet your unique needs.



Customs

At Smalley, customs are standard. It’s easy to get a custom part from our engineers. In most cases we can manufacture a new ring or spring design in just two weeks or work with you to meet your delivery schedule. Fast, precise and economical—it’s how we produce rings and springs in short runs or high volumes, and from .157” to 120” in diameter. If you can’t find a standard part to meet your needs in this catalog, contact our engineering team for immediate assistance.

CAD Downloads

Visit our website for CAD downloads in any native or neutral platform. It’s easy to search and select a standard part for a quick upload to your computer.

Quality Policy

Smalley has established, and is continuously improving upon, a program that is designed to meet the following objectives:

- Total product conformance in terms of drawings, specifications and contractual requirements
- 100% on-time delivery performance
- Superior products with exceptional value
- Prompt, professional and courteous response in every facet of design, manufacturing, sales and customer service
- Continued development and use of the latest technology

MEETING YOUR DEMANDS FOR PRECISION COMPONENTS

At Smalley, we have a single, overriding goal: To supply our customers with uncompromising quality and service. It begins with our raw material and extends through every aspect of our world-class manufacturing process.

Raw Material

As demand for more raw material sizes continues to increase, Smalley has invested heavily in our flat wire rolling mill operation. In addition, we offer a vertical integration process that has evolved into the production of hundreds of material cross-sections in a wide variety of alloys.

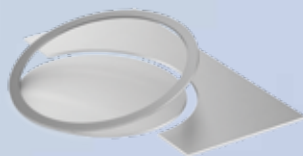
Manufacturing

Edgewinding, also known as “The No-Tooling Cost Process,” is our precision forming operation that coils pre-tempered flat wire on edge to create a near-perfect circle, similar to the famous Slinky® coiled metal toy. Circular-Grain metallurgy gives our products key benefits including:

- Strength and stability that is far superior to conventional retaining rings and washers that are simply stamped through the metal grain
- The ability to coil to your exact specification in any diameter and with any number of turns (layers or coils), effectively eliminating material waste
- The flexibility to accommodate your design changes without the need for additional tooling and die modifications
- A quicker, more economical ability to produce your low-volume custom orders and working prototypes



Edgewinding Process



Conventional Stamping Process

Prototypes

Our engineers work closely with you to ensure you get the ideal prototype for your design: adjusting dimensions, changing the number of waves or turns, and trying different combinations of variables. Finally, we test for function, before production, so we know it's right.

From one to one thousand pieces, we can produce, test, modify and reproduce your design as often as necessary—all without special tooling costs.

Warehousing

To meet our “just in time” (JIT) deliveries and any immediate requirement you may have, we maintain a substantial parts inventory of every cataloged/standard retaining ring and wave spring in both carbon and stainless steel.



DEDICATED TO UNSURPASSED SERVICE AND SUPPORT

Smalley is dedicated to providing the most positive, efficient and economical service possible, each and every day. We continually train our staff on every important aspect of keeping you productive. In addition, we can split shipments to suit your JIT delivery requirements, and we offer lower prices for your annual higher-volume orders. Contact us for complete details and ideas on how you can purchase economically.

General Sales Information

Description

The product descriptions in this catalog are intended to provide practical information for application selection. Since it is not possible to include complete detail on all parts, please contact Smalley for any information not included here that may be critical for your application.

Quotations

We will provide written or verbal quotations as requested. Requests can be submitted at smalley.com/rfq, sales@smalley.com or phone

Returns

Parts not stocked that must be specially manufactured are not returnable except by special arrangement and will be subject to cancellation charges. Stocked parts may be returned for credit at a standard restocking charge (subject to condition). All returns of stocked parts must be made within 30 days from date of receipt of material.

Delivery

Parts carried in stock normally will be shipped within 48 hours after receipt of an order. Special parts are normally delivered in three weeks (if no special processes are required) or as previously arranged.

Certifications

Standard Certification of Conformance will be supplied at no charge. Material and other Certifications for plating, load, etc. will be furnished as quoted.

Transportation

As specified by the customer. In the absence of instructions, the shipping method will be selected by Smalley. Insurance will be provided only at the customer's request.

Terms

1/10/Net 30 on open accounts. For consideration of an open account, customers are requested to supply banking information and at least three commercial credit references. Visit www.smalley.com for Terms and Conditions that apply.

F.O.B.

Factory, Lake Zurich, Illinois, USA

Packaging

Rings and springs 1 5/16" in diameter and under are bulk packaged. Rings and springs 1 3/8" and over in diameter are generally tube (coin) packaged in lengths 10 to 18 inches.



QUALITY ASSURANCE

Smalley's Total Quality Management philosophy dictates our commitment to quality and customer satisfaction. While this commitment has earned us official certification (ISO 9001, IATF 16949, AS 9100, ISO 13485 and ISO 14001), quality assurance and customer satisfaction mean much more at Smalley. They are tradition; the very foundation upon which we have built our company. From the beginning, we have never lost sight of our goal: To supply customers with uncompromising quality and service.

Our entire manufacturing team is committed to a quality policy built around:

- Conformance to specifications with controlled lot variation about the target
- Statistical quality control
- Defect prevention
- Annual improvement in process and product

Every Smalley employee works toward excellence, individually and cooperatively, to provide superior products and services.

Approved Supplier Status

A history of quality and strict compliance with military and aerospace standards has earned Smalley an approved supplier status with many leading OEMs worldwide. In accordance with the requirements of ISO 9001, IATF 16949, AS 9100, ISO 13485 and ISO 14001, we have established and continuously improve upon our quality systems. Use of the latest technology, including statistical tools, has helped us achieve and maintain the world-class quality associated with Smalley for more than 50 years.

Smalley uses statistical quality control tools to assure the capability and stability of our coiling process:

- First, we identify common dimensions to monitor and special causes of variation in the product
- Then, we collect and analyze data on these critical dimensions, performing disciplined sampling and taking measurements during in-line and final inspection—and yet again during pre-shipment inspection

Robust Quality Training

In addition to quality testing, Smalley makes formal SQC in-house training programs mandatory for many employees involved in manufacturing. This training has noticeably developed quality awareness and responsibility at all levels, giving employees a clear understanding of what is expected, a means of regulating their processes and checking their output, and statistical tools to ensure optimal machines performance.

In fact, our machine capability studies help us identify sources of variation before they become a problem. We analyze the capabilities of all production machinery in primary and secondary operations, heat treating and finishing. We also follow our own meticulous procedures to determine the reproducibility and repeatability of our gauging systems.

Confidence Delivered Daily

Based on our careful quality documentation, many Smalley customers have found that they can reduce or even eliminate their incoming inspections of our product. Many have also revised their dual sourcing policy and confidently rely on our team as their single source for Spirolox Retaining Rings, wave springs, constant section rings, linear springs and other wire forms.

Defect prevention, or near-zero defects, is a key goal at Smalley. We use the latest automated inspection techniques to monitor production. As a result, we are constantly studying the causes of variation, improving upon and developing processes with capability indexes (Cpk) exceeding 1.33.

Talk to a Smalley engineer today and you'll see why quality assurance is more than a department. It's a way of life.

Wave Spring Introduction

All Springs Are Not Equal®

Smalley Wave Springs offer the unique advantage of space savings when used to replace coil springs. By reducing spring operating height, wave springs also produce a decrease in the spring cavity. With a smaller assembly size and less material used in the manufacturing process, a cost savings is realized.

Wave springs operate as load bearing devices. They take up play and compensate for dimensional variations within assemblies. A virtually unlimited range of forces can be produced whereby loads build either gradually or abruptly to reach a predetermined working height. This establishes a precise spring rate in which load is proportional to deflection.

Functional requirements are necessary for both dynamic and static spring applications. Special performance characteristics are individually built into each spring to satisfy a variety of precise operating conditions. Typically, a wave spring will occupy an extremely small area for the amount of work it performs. The use of this product is demanded, but not limited to tight axial and radial space constraints.

Product Performance

With their smooth, circular coiled sinusoidal wave form, and rolled round edges of pre-tempered raw material, Smalley's edgewound Wave Springs offer many advantages over die stamped products.

Loads and spring rates are more accurate, more predictable, and may be tolerated better than 50 percent tighter than stampings. The force of a Smalley Wave Spring will increase at a uniform rate throughout most of its available deflection.

By any criteria, Smalley Wave Springs offer their users higher dependability and better performance. Since they are produced from full hard, pre-tempered raw material, there is no risk of distorting the spring during a hardening heat treatment. By contrast, subsequent manufacturing procedures for stamped wavy washers can lead to problems such as fatigue cracking and inaccurate or inconsistent loading between springs. All told, the metallurgy, the mechanical properties and the uniform dimensional stability of the Smalley edgewound Wave Spring provide a component for precision quality applications.



Wave Spring Types



**Gap Type
Wave Spring**



**Overlap Type
Wave Spring**



Gap & Overlap Type

Conventional Gap and Overlap Type Wave Springs are used in a wide variety of applications. For short deflections and low-medium forces, they function with precision and dependability.

These two types of Smalley Wave Springs permit radial expansion or growth in diameter within a cavity, without the binding or hang-up normally associated with die stamped wave washers. Just as their terms imply, the gap type is split to retain a gap between the ends, while the overlap type has overlapping ends. Thus, the ends are free to move circumferentially as the spring outside diameter grows during compression.

For example, the O.D. of a Gap Type Wave Spring would fit .020 loose per side in a bore. Its I.D. clears a shaft by .010 per side. As the spring is deflected, the O.D. and I.D. grow larger until the O.D. contacts the bore. Continued deflection causes the gap ends to move closer together while the O.D. presses against the bore. An Overlap Type Wave Spring permits this type of cycling action in a similar manner.

Crest-to-Crest®

Crest-to-Crest Wave Springs are prestacked in series, decreasing the spring rate proportionally to the number of turns. Uses are typically applications requiring low-medium spring rates and large deflections with low-medium forces. Among major advantages, this design eliminates the need to keep the wave crests aligned. The need to use a key locating device, or to insert a shim between individual springs is not necessary. Because the spring is integrally formed, the wave peaks hold their configuration.

As a replacement for helical compression springs, Crest-to-Crest springs can develop similar forces, yet occupy one-half (1/2) or less the axial space. This allows for strict space constraints. Crest-to-Crest Wave Springs will maintain the same force and load specifications of a conventional round wire spring, but with the advantages of resultant lowered and compacted operating heights, free heights, and solid heights.



continued

Wave Spring Types (cont'd)



Crest-to-Crest with Optional Shim Ends

Crest-to-Crest Wave Springs are also available with squared-shim ends. Shim ends provide a 360° contact surface when compared to the wave point contact of plain ends. The shim-ends, under load, more evenly distribute the spring's force upon adjacent components. This feature is similar to the concept of double-disc grinding springs for a flat surface. Shim ends have also been used to affix springs to mating components, as a flat locating surface that may be attached by various methods in the assembly.

Nested



Nested Wave Springs are pre-stacked in parallel from one continuous filament of flat wire. The need to stack individual springs for higher loads is no longer necessary. Nested springs result in a spring rate that increases proportionally to the number of turns. They can exert tremendous forces, yet maintain the precision of a circular-grain wave spring. In many applications, Nested Wave Springs replace Belleville Springs, particularly in cases where a high but accurate force is needed.

WAVO®



Wavo Springs are produced from round-section wire to provide higher loads while maintaining the accurate loading found in wave springs. As an alternative to Belleville Springs, the Wavo provides similar loads but with an accurate, predictable spring rate.

Linear Springs



Linear springs are a continuous wave formed (marcelled) wire length produce from spring tempered materials. They act as a load bearing device having approximately the same load/deflection characteristics as a wave spring.

Forces act linearly or radially depending on the installed position. Axial pressure is obtained by laying the spring flat in a straight line. Circular wrapping the spring produces a radial force or outward pressure. Linear springs are available cut to length or as a continuous coil, for the user to cut as needed.

Request FREE samples

Get free samples of any standard catalog item at www.smalley.com/samples.

Or use form on page 131 of this catalog. Requests typically processed within 24 hours.

Get CAD downloads

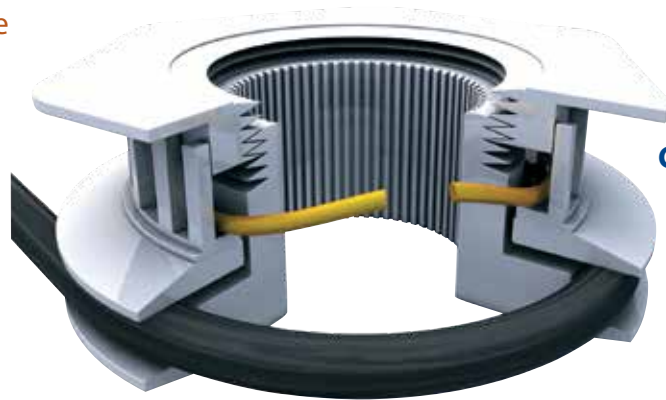
Simplify your design process by downloading CAD models of standard retaining rings and wave springs at www.smalley.com/cad-models.



A. Pressure Relief Valve



B. Face Seal



C. Clutch Drive



D. Bayonet Connector



E. Multi-Tooth Cutter

A. Pressure Relief Valve

An exact load applied to the top sealing plate was accomplished using a flat wire wave spring. Air pressure entering the top slots forces the plate away from the sealing surface providing the pressure relief mechanism.

B. Face Seal

Wave Spring applies pressure, to precisely load the carbon face against a mating surface, to properly seal fluids. The spring operates over a fixed working range and provides an exact force, unlike the stamped wavy washer it replaced which could not maintain the necessary spring rate.

C. Clutch Drive

Pressure on the round belt is produced by compressing the Wavo Spring through the sheave halves. The top threaded cap rotates to adjust the Wavo compression. The Wavo can produce a high force in a tight radial cavity.

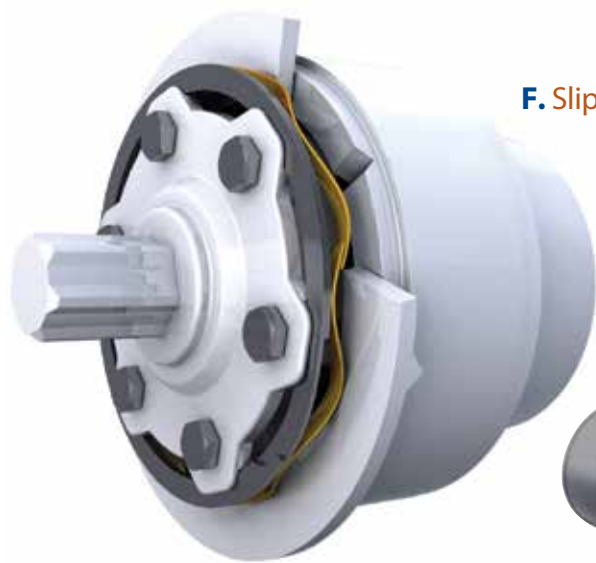
D. Bayonet Connector

Overlap Type Wave Spring installed in an electronic connector assembly. As male and female components are rotated together into final assembly, the wave spring is compressed to its working height. In this position it exerts a constant force that locks both components together.

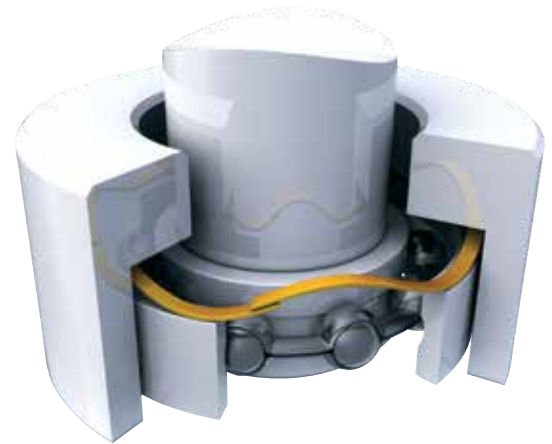
E. Multi-Tooth Cutter

A custom designed wave spring with locating tabs is contained in the housing. The spring applies a precise force to the two cutter halves, allowing them to oscillate but not rattle.

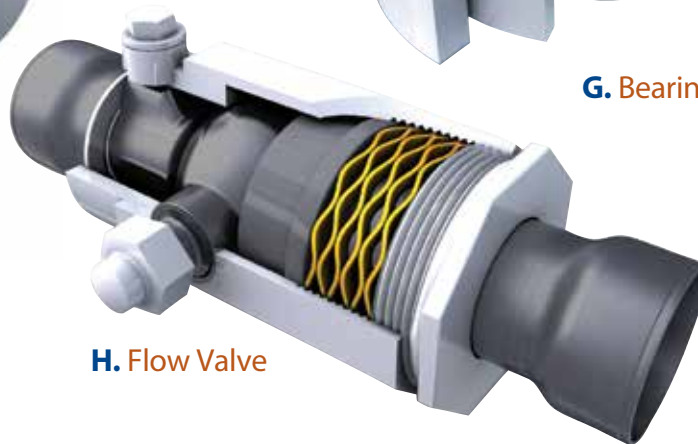
Wave Spring Applications



F. Slip Clutch



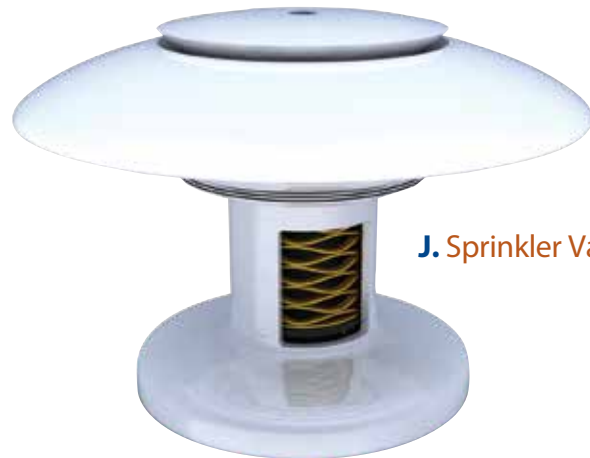
G. Bearing Pre-Load



H. Flow Valve



I. Low Voltage Connector



J. Sprinkler Valve

F. Slip Clutch

Clutch drives when the "V"-detents are in the "V"-slots. A Smalley Wave Spring maintains pressure to hold this position. As torque is increased, the "V"-detents will ride up and out the "V"-slots, depressing the wave spring and developing the slip mechanism. When torque is decreased, the wave spring forces the "V"-detents firmly into the "V"-slots to drive again.

G. Bearing Pre-Load

One of the most common wave spring applications world-wide is a bearing preload arrangement as illustrated. Having the proper load will often extend bearing life by lowering operating temperatures, reducing vibration, minimizing wear and providing for quieter and smoother performance.

H. Flow Valve

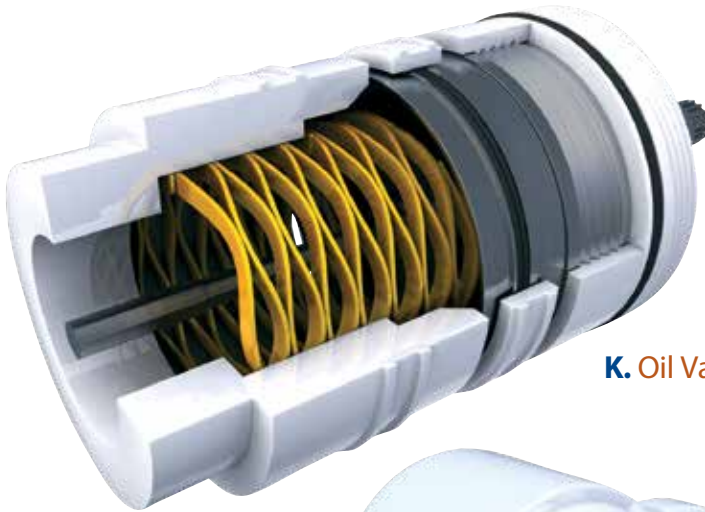
As fluid pressure increases the Crest-to-Crest Wave Spring precisely controls the linear displacement of the piston, which positions the orifice for proper fluid flow. Because of the space savings of the Crest-to-Crest design, the valve can be made smaller.

I. Low Voltage Connector

A Bayonet Connector couples as the male end rotates and follows the groove contour in the female end. A 2-Turn Nested Spirawave Wave Spring provides the pre-load between the two halves. A 2-Turn Nested Spring was necessary to develop a higher load in very tight radial and axial space.

J. Sprinkler Valve

With height restrictions accounted for, the Smalley Crest-to-Crest Wave Spring maintains constant pressure on the pop-up head, holding it firmly closed. In operation, water pressure releases the head by overcoming the spring's force.



K. Oil Valve



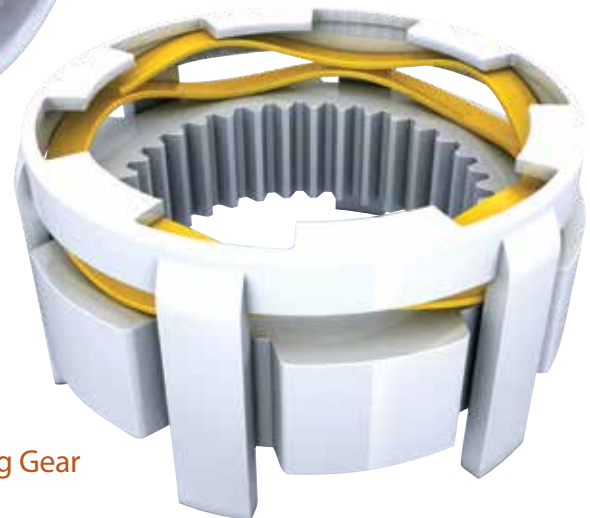
L. Ball Valve



M. Quick Disconnect



N. Vibration Isolator



O. Floating Gear

K. Oil Valve

The force provided by the Crest-to-Crest Wave Spring in this oil valve application precisely regulates the amount of oil that is released. The Crest-to-Crest spring provides accurate resistance in a small space, allowing the overall size of the valve to be greatly reduced.

L. Ball Valve

A Smalley Crest-to-Crest Wave Spring is used to reduce the overall spring height in this application. The wave spring allows the seat to oscillate on the ball, keeping a tight seal in the operating position. The reduction in spring height and resulting smaller spring cavity also reduce the weight of the valve.

M. Quick Disconnect

The sliding member of the disconnect is held in its forward/locked position against the retaining ring, by the Crest-to-Crest Spring. As the user slides the member in the opposite direction compressing the spring, the detent balls align with a groove and release.

N. Vibration Isolator

Wavo Springs provide high force and a relatively large axial displacement, in limited space. The springs are arranged in series for additional travel.

O. Floating Gear

Functioning in a contained bracket, a Crest-to-Crest Wave Spring loads a gear with light force allowing axial movement. The gear shown self-aligns with its mating gear during operation.

SSR Series - Standard Section Springs



Stock Items in carbon steel and 17-7 PH stainless steel. Springs listed below are 3 wave, **Overlap Type**.

Smalley Part Number ^{1,4}	Operates in Bore Diameter	Clears Shaft Diameter	Load (lb)	Work Height	Free Height ²	Number of Waves	Thickness	Radial Wall	Spring Rate ³
SSR-0050	.500	.390	7	.050	.085	3	.008	.040	200
SSR-0062	.625	.480	10	.050	.095	3	.010	.058	222
SSR-0075	.750	.500	14	.062	.160	3	.010	.078	143
SSR-0087	.875	.620	16	.062	.130	3	.012	.094	235
SSR-0100	1.000	.780	18	.062	.160	3	.012	.094	184
SSR-0112	1.125	.840	20	.078	.130	3	.016	.133	385
SSR-0125	1.250	.960	22	.078	.150	3	.016	.133	306
SSR-0137	1.375	1.090	24	.078	.190	3	.016	.133	214
SSR-0150	1.500	1.170	26	.078	.170	3	.018	.143	283
SSR-0162	1.625	1.310	28	.078	.200	3	.018	.143	230

¹ Add suffix "-S17" for 17-7 stainless steel.

² Reference dimension.

³ Theoretical dimension; measured in lb/in.

⁴ See pages 132-133 for How to Order.

Get CAD downloads

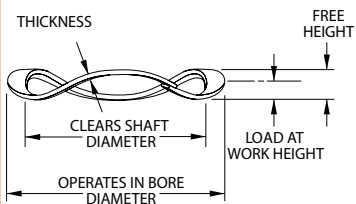
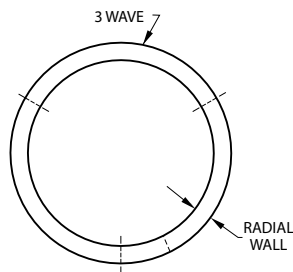
Simplify your design process by downloading CAD models of standard retaining rings and wave springs at www.smalley.com/cad-models.

OVERLAP TYPE

SSR-0050 to SSR-0162

Product Dimensions

All dimensions in inches unless otherwise specified.



Bayonet Connector

Stock Items in carbon steel and 17-7 PH stainless steel. Springs listed below are 4 waves and up, **Gap Type**.

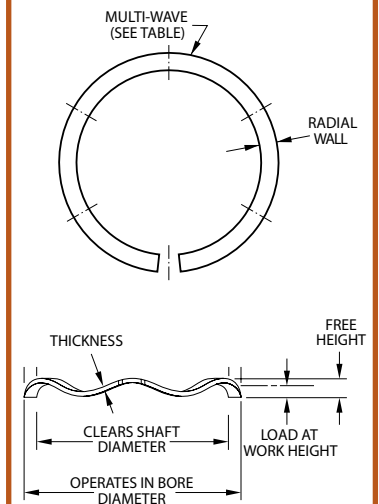
Smalley Part Number ^{1,4}	Operates in Bore Diameter	Clears Shaft Diameter	Load (lb)	Work Height	Free Height ²	Number of Waves	Thickness	Radial Wall	Spring Rate ³
SSR-0175	1.750	1.440	30	.078	.140	4	.018	.143	484
SSR-0187	1.875	1.560	32	.078	.150	4	.018	.143	444
SSR-0200	2.000	1.680	34	.093	.140	4	.024	.150	723
SSR-0212	2.125	1.800	36	.093	.150	4	.024	.150	632
SSR-0225	2.250	1.930	38	.093	.170	4	.024	.150	494
SSR-0237	2.375	1.990	40	.093	.160	4	.024	.178	597
SSR-0250	2.500	2.120	42	.093	.170	4	.024	.178	545
SSR-0262	2.625	2.240	44	.093	.190	4	.024	.178	454
SSR-0275	2.750	2.340	46	.109	.170	4	.030	.188	754
SSR-0287	2.875	2.470	48	.109	.180	4	.030	.188	676
SSR-0300	3.000	2.590	50	.109	.190	4	.030	.188	617
SSR-0312	3.125	2.710	52	.109	.210	4	.030	.188	515
SSR-0325	3.250	2.750	54	.109	.200	4	.030	.233	593
SSR-0337	3.375	2.840	56	.109	.220	4	.030	.233	505
SSR-0350	3.500	3.000	58	.109	.230	4	.030	.233	479
SSR-0362	3.625	3.120	60	.109	.240	4	.030	.233	458
SSR-0375	3.750	3.250	62	.109	.260	4	.030	.233	411
SSR-0387	3.875	3.370	64	.109	.300	4	.030	.233	335
SSR-0400	4.000	3.500	66	.109	.190	5	.030	.233	815
SSR-0412	4.125	3.620	67	.109	.200	5	.030	.233	736
SSR-0425	4.250	3.740	69	.109	.210	5	.030	.233	683
SSR-0437	4.375	3.860	70	.109	.210	5	.030	.233	693
SSR-0450	4.500	3.990	72	.109	.230	5	.030	.233	595
SSR-0462	4.625	4.110	73	.125	.270	5	.030	.233	503
SSR-0475	4.750	4.240	75	.125	.310	5	.030	.233	405
SSR-0487	4.875	4.370	76	.125	.290	5	.030	.233	461
SSR-0500	5.000	4.490	78	.125	.310	5	.030	.233	422
SSR-0512	5.125	4.610	80	.125	.340	5	.030	.233	372
SSR-0525	5.250	4.740	82	.125	.370	5	.030	.233	335
SSR-0537	5.375	4.860	84	.125	.380	5	.030	.233	329
SSR-0550	5.500	4.990	86	.125	.250	6	.030	.233	688
SSR-0562	5.625	5.110	88	.125	.270	6	.030	.233	607
SSR-0575	5.750	5.240	90	.125	.280	6	.030	.233	581
SSR-0587	5.875	5.360	92	.125	.300	6	.030	.233	526
SSR-0600	6.000	5.490	94	.125	.300	6	.030	.233	537
SSR-0612	6.125	5.610	96	.125	.310	6	.030	.233	519
SSR-0625	6.250	5.730	98	.125	.340	6	.030	.233	456
SSR-0637	6.375	5.860	100	.125	.350	6	.030	.233	444
SSR-0650	6.500	5.980	102	.125	.390	6	.030	.233	385
SSR-0675	6.750	6.230	104	.125	.420	6	.030	.233	353
SSR-0700	7.000	6.160	106	.156	.320	6	.032	.375	646
SSR-0725	7.250	6.440	108	.156	.350	6	.032	.375	557
SSR-0750	7.500	6.690	110	.156	.360	6	.032	.375	539
SSR-0775	7.750	6.940	114	.156	.380	6	.032	.375	509
SSR-0800	8.000	7.190	118	.156	.390	6	.032	.375	504
SSR-0825	8.250	7.440	122	.156	.430	6	.032	.375	445
SSR-0850	8.500	7.680	126	.156	.340	7	.032	.375	685
SSR-0875	8.750	7.930	130	.156	.340	7	.032	.375	707
SSR-0900	9.000	8.180	134	.156	.290	8	.032	.375	1,000
SSR-0950	9.500	8.680	142	.156	.240	9	.032	.375	1,690
SSR-1000	10.000	9.170	150	.156	.290	9	.032	.375	1,119
SSR-1050	10.500	9.670	158	.156	.310	9	.032	.375	1,026
SSR-1100	11.000	10.170	166	.156	.350	9	.032	.375	856
SSR-1150	11.500	10.660	174	.156	.360	9	.032	.375	853
SSR-1200	12.000	11.160	182	.156	.440	9	.032	.375	641
SSR-1250	12.500	11.660	190	.156	.350	10	.032	.375	979
SSR-1300	13.000	12.160	198	.156	.410	10	.032	.375	780
SSR-1350	13.500	12.650	206	.156	.430	10	.032	.375	752
SSR-1400	14.000	13.150	214	.156	.300	12	.032	.375	1,486
SSR-1450	14.500	13.650	221	.156	.320	12	.032	.375	1,348
SSR-1500	15.000	14.130	230	.156	.350	12	.032	.375	1,186
SSR-1550	15.500	14.640	239	.156	.310	13	.032	.375	1,552
SSR-1600	16.000	15.140	248	.156	.340	13	.032	.375	1,348



GAP TYPE SSR-0175 to SSR-1600

Product Dimensions

All dimensions in inches unless otherwise specified.



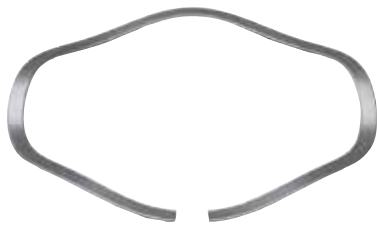
¹ Add suffix "-S17" for 17-7 stainless steel.

² Reference dimension.

³ Theoretical dimension; measured in lb/in.

⁴ See pages 132-133 for How to Order.

SSR-N Series - Narrow Section Wave Springs



Smalley narrow section wave springs were originally designed to pre-load packings in telescoping hydraulic cylinders. They have also found other applications where working space is highly limited. This Smalley Wave Spring series is designed to fit into a bore with a light snap to assure perfect concentricity between the wave spring and assembly. When these narrow section wave springs are compressed, radial expansion is taken up by the gap in the spring to eliminate binding.

Stock Items in carbon steel and 17-7 PH stainless steel. Springs listed below are 4 waves and up, **Gap Type**.

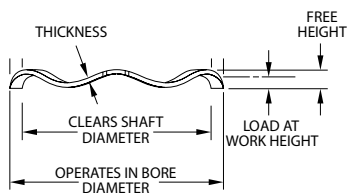
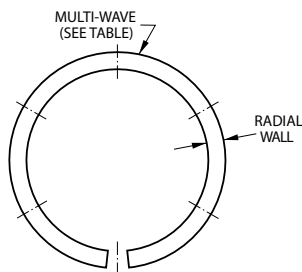
Smalley Part Number ^{1,4}	Operates in Bore Diameter	Clears Shaft Diameter	Load (lb)	Work Height	Free Height ²	Number of Waves	Thickness	Radial Wall	Spring Rate ³
SSR-0325-N	3.250	2.820	54	.109	.200	4	.030	.188	593
SSR-0337-N	3.375	2.940	56	.109	.220	4	.030	.188	505
SSR-0350-N	3.500	3.070	58	.109	.260	4	.030	.188	384
SSR-0362-N	3.625	3.190	60	.109	.270	4	.030	.188	373
SSR-0375-N	3.750	3.320	62	.109	.280	4	.030	.188	363
SSR-0387-N	3.875	3.440	64	.109	.310	4	.030	.188	318
SSR-0400-N	4.000	3.570	66	.109	.200	5	.030	.188	725
SSR-0412-N	4.125	3.690	67	.109	.200	5	.030	.188	736
SSR-0425-N	4.250	3.820	69	.109	.240	5	.030	.188	527
SSR-0437-N	4.375	3.940	70	.109	.210	5	.030	.188	693
SSR-0450-N	4.500	4.070	72	.109	.280	5	.030	.188	421
SSR-0462-N	4.625	4.190	73	.125	.270	5	.030	.188	503
SSR-0475-N	4.750	4.320	75	.125	.320	5	.030	.188	385
SSR-0487-N	4.875	4.440	76	.125	.320	5	.030	.188	390
SSR-0500-N	5.000	4.570	78	.125	.350	5	.030	.188	347
SSR-0512-N	5.125	4.690	80	.125	.350	5	.030	.188	356
SSR-0525-N	5.250	4.820	82	.125	.360	5	.030	.188	349
SSR-0537-N	5.375	4.940	84	.125	.440	5	.030	.188	267
SSR-0550-N	5.500	5.070	86	.125	.280	6	.030	.188	555
SSR-0562-N	5.625	5.190	88	.125	.290	6	.030	.188	533
SSR-0575-N	5.750	5.320	90	.125	.340	6	.030	.188	419
SSR-0587-N	5.875	5.440	92	.125	.340	6	.030	.188	428
SSR-0600-N	6.000	5.570	94	.125	.340	6	.030	.188	437
SSR-0612-N	6.125	5.690	96	.125	.280	7	.030	.188	619
SSR-0625-N	6.250	5.820	98	.125	.280	7	.030	.188	632
SSR-0637-N	6.375	5.940	100	.125	.300	7	.030	.188	571
SSR-0650-N	6.500	6.070	102	.125	.300	7	.030	.188	583
SSR-0675-N	6.750	6.320	104	.125	.300	7	.030	.188	594
SSR-0700-N	7.000	6.480	106	.156	.320	7	.030	.233	646
SSR-0725-N	7.250	6.730	108	.156	.330	7	.030	.233	621
SSR-0750-N	7.500	6.980	110	.156	.360	7	.030	.233	539
SSR-0775-N	7.750	7.230	114	.156	.380	7	.030	.233	509

GAP TYPE

SSR-0325-N to SSR-0775-N

Product Dimensions

All dimensions in inches unless otherwise specified.



¹ Add suffix "-S17" for 17-7 stainless steel.

² Reference dimension.

³ Theoretical dimension; measured in lb/in.

⁴ See pages 132-133 for How to Order.

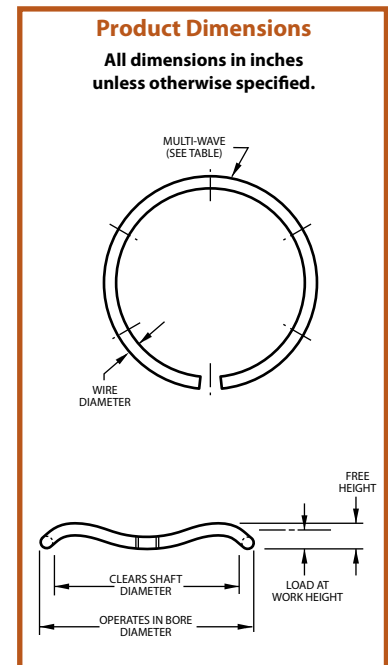
Request FREE samples

Get free samples of any standard catalog item at www.smalley.com/samples.

Or use form on page 131 of this catalog. Requests typically processed within 24 hours.

Stock Items in carbon and 17-7 PH stainless steel.

Smalley Part Number ^{1,4}	Operates in Bore Diameter	Clears Shaft Diameter	Load (lb)	Work Height	Free Height ²	Number of Waves	Wire Diameter	Spring Rate ³
RW-0050	.500	.408	35	.052	.062	3	.031	3,500
RW-0062	.625	.517	50	.064	.077	3	.038	3,846
RW-0075	.750	.628	70	.076	.092	3	.045	4,375
RW-0087	.875	.740	80	.086	.104	3	.051	4,444
RW-0100	1.000	.855	90	.095	.116	3	.056	4,286
RW-0112	1.125	.967	100	.102	.127	3	.060	4,000
RW-0125	1.250	1.081	110	.110	.138	3	.065	3,929
RW-0137	1.375	1.223	120	.095	.121	4	.056	4,615
RW-0150	1.500	1.339	130	.102	.128	4	.060	5,000
RW-0162	1.625	1.444	140	.110	.137	4	.065	5,185
RW-0175	1.750	1.564	150	.113	.144	4	.067	4,839
RW-0187	1.875	1.682	160	.119	.155	4	.070	4,444
RW-0200	2.000	1.803	170	.124	.165	4	.072	4,146
RW-0212	2.125	1.906	180	.129	.162	4	.076	5,455
RW-0225	2.250	2.023	190	.136	.168	4	.080	5,938
RW-0237	2.375	2.141	200	.141	.178	4	.083	5,405
RW-0250	2.500	2.261	210	.144	.185	4	.085	5,122
RW-0262	2.625	2.374	220	.153	.203	4	.090	4,400
RW-0275	2.750	2.497	230	.154	.212	4	.091	3,966
RW-0287	2.875	2.618	240	.158	.210	4	.093	4,615
RW-0300	3.000	2.767	250	.141	.179	5	.083	6,579
RW-0312	3.125	2.878	260	.144	.184	5	.085	6,500
RW-0325	3.250	2.992	270	.153	.190	5	.090	7,297
RW-0337	3.375	3.115	280	.154	.195	5	.091	6,829
RW-0350	3.500	3.236	290	.158	.201	5	.093	6,744
RW-0362	3.625	3.356	300	.161	.206	5	.095	6,667
RW-0375	3.750	3.475	310	.166	.212	5	.098	6,739
RW-0387	3.875	3.595	320	.170	.208	5	.100	8,421
RW-0400	4.000	3.718	330	.170	.225	5	.100	6,000
RW-0412	4.125	3.827	335	.175	.221	5	.105	7,283
RW-0425	4.250	3.948	345	.178	.225	5	.105	7,340
RW-0437	4.375	4.063	350	.187	.240	5	.110	6,604
RW-0450	4.500	4.185	360	.187	.247	5	.110	6,000
RW-0462	4.625	4.310	365	.187	.253	5	.110	5,530
RW-0475	4.750	4.431	375	.190	.257	5	.112	5,597
RW-0487	4.875	4.555	380	.190	.264	5	.112	5,135
RW-0500	5.000	4.672	390	.195	.265	5	.116	5,571
RW-0512	5.125	4.772	400	.200	.274	5	.118	5,405
RW-0525	5.250	4.893	410	.204	.279	5	.120	5,467
RW-0537	5.375	5.037	420	.187	.245	6	.110	7,241
RW-0550	5.500	5.162	430	.187	.251	6	.110	6,719
RW-0562	5.625	5.283	440	.190	.245	6	.112	8,000
RW-0575	5.750	5.406	450	.190	.251	6	.112	7,377
RW-0587	5.875	5.524	460	.197	.262	6	.116	7,077
RW-0600	6.000	5.644	470	.200	.268	6	.118	6,912



¹ Add suffix "-S17" for 17-7 stainless steel.

² Reference dimension.

³ Theoretical dimension; measured in lb/in.

⁴ See pages 132-133 for How to Order.

Get CAD downloads

Simplify your design process by downloading CAD models of standard retaining rings and wave springs at www.smalley.com/cad-models.

SSB Series - Metric Bearing Preload Springs



Smalley Circular-Grain bearing preload Wave Springs eliminate play and minimize bearing noise. The constant light/medium pressure they apply removes play between the ball bearings and the bearings' inner and outer races. Preloading can reduce the possibility of bearing damage due to vibration (vibratory loading) and wear due to repetitive and non-repetitive runout.

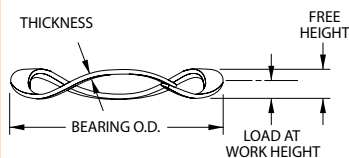
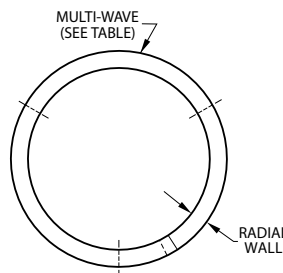
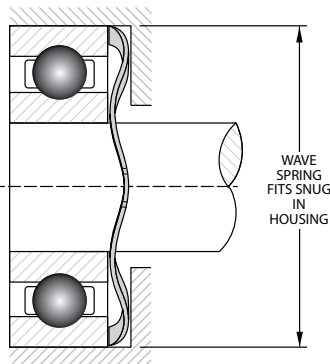
Stock Items in carbon steel and 17-7 PH stainless steel. Springs listed below are 3 and 4 waves **Overlap Type**.

Smalley Part Number ^{1,5}	Bearing O.D. ² (mm)	Clears Shaft Diameter	Load (N)	Work Height	Free Height ³	Number of Waves	Thickness	Radial Wall	Spring Rate ⁴
SSB-0063	16.00	11.28	44.5	1.57	2.29	3	.25	1.98	65
SSB-0075	19.00	14.28	53.4	1.57	3.05	3	.25	1.98	35
SSB-0087	22.00	16.46	62.3	1.57	2.79	3	.30	2.39	48
SSB-0095	24.00	18.46	66.7	1.57	3.56	3	.30	2.39	35
SSB-0102	26.00	18.22	71.2	1.98	2.54	3	.41	3.38	111
SSB-0110	28.00	20.22	75.6	1.98	2.79	3	.41	3.38	85
SSB-0118	30.00	22.22	84.5	1.98	3.30	3	.41	3.38	66
SSB-0126	32.00	24.22	89.0	1.98	3.81	3	.41	3.38	52
SSB-0138	35.00	27.22	97.9	1.98	4.57	3	.41	3.38	38
SSB-0146	37.00	28.72	102.3	1.98	3.81	3	.46	3.63	58
SSB-0158	40.00	31.72	111.2	1.98	5.08	3	.46	3.63	37
SSB-0165	42.00	33.72	115.7	1.98	3.05	4	.46	3.63	99
SSB-0185	47.00	38.72	129.0	1.98	3.81	4	.46	3.63	68
SSB-0205	52.00	43.11	142.4	2.36	3.56	4	.61	3.76	121
SSB-0217	55.00	46.11	151.3	2.36	3.81	4	.61	3.76	100
SSB-0244	62.00	51.69	169.1	2.36	4.32	4	.61	4.52	85
SSB-0268	68.00	57.17	186.9	2.77	4.32	4	.76	4.78	131
SSB-0276	70.00	59.17	191.3	2.77	4.32	4	.76	4.78	119
SSB-0284	72.00	61.17	195.8	2.77	4.57	4	.76	4.78	108
SSB-0295	75.00	64.17	204.7	2.77	5.08	4	.76	4.78	94
SSB-0315	80.00	68.66	218.0	2.77	5.59	4	.76	4.78	76
SSB-0335	85.00	71.38	231.4	2.77	5.59	4	.76	5.92	83
SSB-0354	90.00	76.38	249.2	2.77	6.35	4	.76	5.92	68
SSB-0374	95.00	81.38	262.5	2.77	7.37	4	.76	5.92	57

OVERLAP TYPE SSB-0063 to SSB-0374

Product Dimensions

All dimensions in millimeters unless otherwise specified.



¹ Add suffix "-S17" for 17-7 stainless steel.

² Wave springs fit snug in housing.

³ Reference dimension.

⁴ Theoretical dimension; measured in N/mm.

⁵ See pages 132-133 for How to Order.



Bearing Assembly

Request FREE samples

Get free samples of any standard catalog item at www.smalley.com/samples.

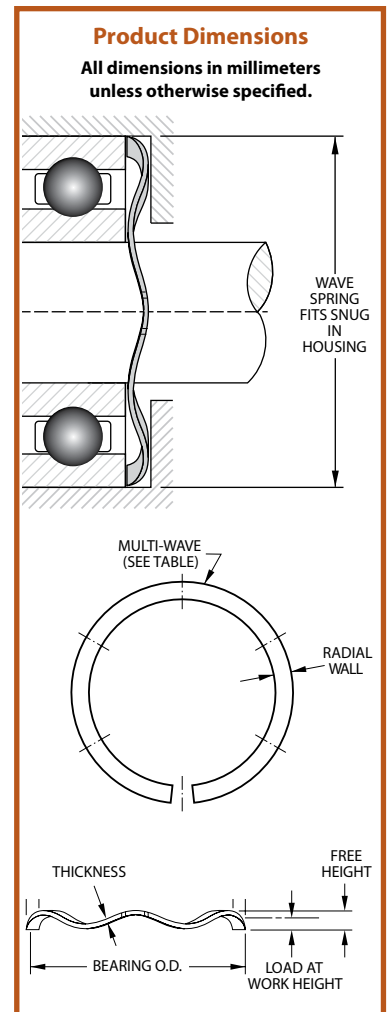
Or use form on page 131 of this catalog. Requests typically processed within 24 hours.

Stock Items in carbon steel and 17-7 PH stainless steel. Springs listed below are 5 waves and up, **Gap Type**.

Smalley Part Number ^{1,5}	Bearing O.D. ² (mm)	Clears Shaft Diameter	Load (N)	Work Height	Free Height ³	Number of Waves	Thickness	Radial Wall	Spring Rate ⁴
SSB-0394	100.00	86.38	275.9	2.77	4.57	5	.76	5.92	157
SSB-0413	105.00	91.38	289.2	2.77	5.08	5	.76	5.92	134
SSB-0433	110.00	96.38	302.6	2.77	5.33	5	.76	5.92	115
SSB-0453	115.00	101.38	315.9	3.18	6.35	5	.76	5.92	99
SSB-0472	120.00	106.38	329.3	3.18	7.11	5	.76	5.92	86
SSB-0492	125.00	111.38	342.6	3.18	7.62	5	.76	5.92	76
SSB-0512	130.00	116.38	356.0	3.18	8.64	5	.76	5.92	67
SSB-0532	135.00	121.38	369.3	3.18	9.40	5	.76	5.92	59
SSB-0551	140.00	126.38	382.7	3.18	6.86	6	.76	5.92	108
SSB-0571	145.00	131.38	396.0	3.18	7.37	6	.76	5.92	97
SSB-0591	150.00	136.38	404.9	3.18	7.87	6	.76	5.92	87
SSB-0630	160.00	146.38	440.5	3.18	9.40	6	.76	5.92	71
SSB-0650	165.00	151.38	453.9	3.18	10.41	6	.76	5.92	64
SSB-0669	170.00	156.38	467.2	3.18	11.18	6	.76	5.92	58
SSB-0689	175.00	154.16	480.6	3.96	8.13	6	.81	9.53	116
SSB-0709	180.00	159.16	493.9	3.96	8.64	6	.81	9.53	105
SSB-0728	185.00	164.16	507.3	3.96	9.14	6	.81	9.53	97
SSB-0748	190.00	169.16	520.6	3.96	9.91	6	.81	9.53	88
SSB-0787	200.00	179.16	547.3	3.96	7.11	7	.81	9.53	174
SSB-0807	205.00	184.16	560.7	3.96	7.37	7	.81	9.53	161
SSB-0827	210.00	189.16	578.5	3.96	7.87	7	.81	9.53	149
SSB-0847	215.00	194.16	591.8	3.96	8.38	7	.81	9.53	138
SSB-0866	220.00	199.16	605.2	3.96	8.64	7	.81	9.53	128
SSB-0886	225.00	204.16	618.5	3.96	7.11	8	.81	9.53	203
SSB-0906	230.00	209.16	631.9	3.96	6.10	9	.81	9.53	303
SSB-0925	235.00	214.16	645.2	3.96	6.35	9	.81	9.53	283
SSB-0945	240.00	219.16	658.6	3.96	6.35	9	.81	9.53	265
SSB-0984	250.00	229.16	685.3	3.96	6.86	9	.81	9.53	232
SSB-1024	260.00	239.16	712.0	3.96	7.37	9	.81	9.53	205
SSB-1043	265.00	244.16	725.3	3.96	7.62	9	.81	9.53	193
SSB-1063	270.00	249.16	743.1	3.96	8.13	9	.81	9.53	182
SSB-1102	280.00	259.16	769.8	3.96	8.64	9	.81	9.53	162
SSB-1142	290.00	269.16	796.5	3.96	9.40	9	.81	9.53	144
SSB-1181	300.00	279.16	823.2	3.96	10.41	9	.81	9.53	129
SSB-1221	310.00	289.16	849.9	3.96	7.11	9	1.07	9.53	264
SSB-1260	320.00	299.16	876.6	3.96	7.62	9	1.07	9.53	239
SSB-1339	340.00	319.16	934.5	3.96	8.64	9	1.07	9.53	198
SSB-1378	350.00	329.16	961.1	3.96	9.40	9	1.07	9.53	180
SSB-1417	360.00	339.16	987.9	3.96	7.62	10	1.07	9.53	271
SSB-1457	370.00	349.16	1014.6	3.96	8.13	10	1.07	9.53	249
SSB-1496	380.00	359.16	1041.3	3.96	8.64	10	1.07	9.53	229
SSB-1535	390.00	369.16	1072.4	3.96	9.14	10	1.07	9.53	211
SSB-1575	400.00	379.16	1099.1	3.96	9.65	10	1.07	9.53	196
SSB-1614	410.00	382.82	1125.8	3.96	8.38	10	1.07	12.70	251
SSB-1654	420.00	392.82	1152.5	3.96	8.89	10	1.07	12.70	233
SSB-1693	430.00	402.82	1179.2	3.96	7.62	11	1.07	12.70	317
SSB-1732	440.00	412.82	1205.9	3.96	8.13	11	1.07	12.70	295
SSB-1811	460.00	432.82	1263.7	3.96	8.89	11	1.07	12.70	256
SSB-1890	480.00	452.82	1317.1	3.96	8.13	12	1.07	12.70	318
SSB-1969	500.00	472.82	1370.5	3.96	8.89	12	1.07	12.70	280
SSB-2126	540.00	512.82	1481.8	3.96	8.89	13	1.07	12.70	303
SSB-2284	580.00	552.82	1593.0	3.96	8.89	14	1.07	12.70	327



GAP TYPE SSB-0394 to SSB-2284



¹ Add suffix "-S17" for 17-7 stainless steel.

² Wave springs fit snug in housing.

³ Reference dimension.

⁴ Theoretical dimension; measured in N/mm.

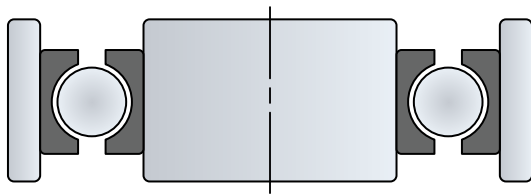
⁵ See pages 132-133 for How to Order.

Cross Reference Guide - SSB Bearing Table

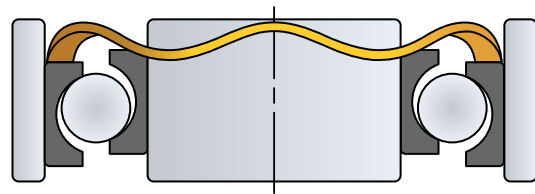
What is Bearing Preload?

Ball bearings, composed of multiple parts working together as an assembly, are designed with clearances that permit freedom of motion. Clearance is not necessarily a result of manufacturing precision - bearings may be designed with greater clearance to accommodate higher axial loads or minor axial misalignment. As clearance and manufacturing tolerances stack up, a bearing assembly will begin to experience axial and radial play.

Bearing Preload is the process of adding a sustained axial load, independent of external loads, to the bearing. An axial preload ensures constant contact between the ball complement and bearing races reducing or eliminating both modes of play. Spring Preload, a versatile execution of Bearing Preload, utilizes single turn Wave Springs to add the necessary preload forces despite dimensional variation and thermal expansion. Properly preloading a bearing can increase its life and eliminate the vibration and noise that results from specified clearance, manufacturing precision, and wear.



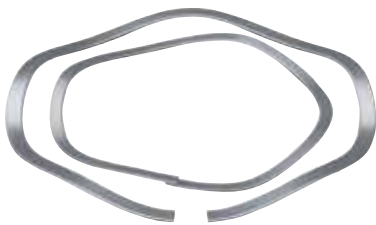
Bearing without a preload: Clearance between components can cause vibration and wear.



Bearing with a preload: The ball complement and bearing races mate reliably reducing or eliminating vibration and wear.

Use this cross-reference guide to select the appropriate Wave Spring for your bearing size. The numbers represent typical standard bearing part numbers and/or the suffix of a standard bearing size.

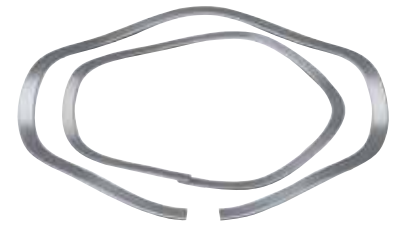
Stock Items in carbon steel and 17-7 PH stainless steel.



Smalley Part Number ^{1,4}	Bearing O.D. ² (mm)	Bearing Part Numbers						
		Extra Small	Extremely Light	Extra Light	Narrow	Light	Medium	Heavy
SSB-0063	16.00	34	—	—	—	—	—	—
SSB-0075	19.00	35, 36	—	—	—	—	—	—
SSB-0087	22.00	37, 38	00	—	—	—	—	—
SSB-0095	24.00	38KV	01	—	—	—	—	—
SSB-0102	26.00	39	—	100	—	—	—	—
SSB-0110	28.00	—	02	101	—	—	—	—
SSB-0118	30.00	—	03	—	—	200	—	—
SSB-0126	32.00	—	—	102	02	201	—	—
SSB-0138	35.00	—	—	103	—	202	300	—
SSB-0146	37.00	—	04	—	03	—	301	—
SSB-0158	40.00	—	—	—	—	203	—	—
SSB-0165	42.00	—	05	104	04	—	302	—
SSB-0185	47.00	—	06	105	—	204	303	—
SSB-0205	52.00	—	—	—	05	205	304	—
SSB-0217	55.00	—	07	106	—	—	—	—
SSB-0244	62.00	—	08	107	06	206	305	403
SSB-0268	68.00	—	09	108	—	—	—	—
SSB-0276	70.00	—	—	—	07	—	—	—
SSB-0284	72.00	—	10	—	—	207	306	404
SSB-0295	75.00	—	—	109	—	—	—	—

Use this cross-reference guide to select the appropriate Wave Spring for your bearing size. The numbers represent typical standard bearing part numbers and/or the suffix of a standard bearing size.

Stock Items in carbon steel and 17-7 PH stainless steel.



Smalley Part Number ^{1,4}	Bearing O.D. ² (mm)	Bearing Part Numbers						
		Extra Small	Extremely Light	Extra Light	Narrow	Light	Medium	Heavy
SSB-0315	80.00	—	11	110	08	208	307	405
SSB-0335	85.00	—	12	—	09	209	—	—
SSB-0354	90.00	—	13	111	10	210	308	406
SSB-0374	95.00	—	—	112	—	—	—	—
SSB-0394	100.00	—	14	113	11	211	309	407
SSB-0413	105.00	—	15	—	12	—	—	—
SSB-0433	110.00	—	16	114	—	212	310	408
SSB-0453	115.00	—	—	115	13	—	—	—
SSB-0472	120.00	—	17	—	14	213	311	409
SSB-0492	125.00	—	18	116	—	214	—	—
SSB-0512	130.00	—	19	117	15	215	312	410
SSB-0532	135.00	—	—	—	16	—	—	—
SSB-0551	140.00	—	20	118	—	216	313	411
SSB-0571	145.00	—	21	119	17	—	—	—
SSB-0591	150.00	—	22	120	18	217	314	412
SSB-0630	160.00	—	—	121	19	218	315	413
SSB-0650	165.00	—	24	—	20	—	—	—
SSB-0669	170.00	—	—	122	—	219	316	—
SSB-0689	175.00	—	—	—	22 ³	—	—	—
SSB-0709	180.00	—	26	124	21	220	317	414
SSB-0728	185.00	—	—	—	22 ³	—	—	—
SSB-0748	190.00	—	28	—	24	221	318	415
SSB-0787	200.00	—	—	126	—	222	319	416
SSB-0807	205.00	—	—	—	26	—	—	—
SSB-0827	210.00	—	30	128	—	—	—	417
SSB-0847	215.00	—	—	—	—	224	320	—
SSB-0866	220.00	—	32	—	28	—	—	—
SSB-0886	225.00	—	—	130	—	—	321	418
SSB-0906	230.00	—	34	—	—	226	—	—
SSB-0925	235.00	—	—	—	30	—	—	—
SSB-0945	240.00	—	—	132	—	—	322	—
SSB-0984	250.00	—	36	—	32	228	—	419
SSB-1024	260.00	—	38	134	—	—	324	—
SSB-1043	265.00	—	—	—	34	—	—	420
SSB-1063	270.00	—	—	—	—	230	—	—
SSB-1102	280.00	—	40	136	36	—	326	—
SSB-1142	290.00	—	—	138	—	232	—	421
SSB-1181	300.00	—	—	—	38	—	328	—
SSB-1221	310.00	—	—	140	—	234	—	—
SSB-1260	320.00	—	—	—	40	236	330	422
SSB-1339	340.00	—	—	144	42	238	332	—
SSB-1378	350.00	—	—	—	44	—	—	—
SSB-1417	360.00	—	—	148	—	240	334	—
SSB-1457	370.00	—	—	—	46	—	—	—
SSB-1496	380.00	—	—	—	—	—	336	—
SSB-1535	390.00	—	—	—	48	—	—	—
SSB-1575	400.00	—	—	152	—	244	338	—
SSB-1614	410.00	—	—	—	50	—	—	—
SSB-1654	420.00	—	—	156	—	—	340	—
SSB-1693	430.00	—	—	—	52	—	—	—
SSB-1732	440.00	—	—	—	—	248	342	—
SSB-1811	460.00	—	—	160	56	—	344	—
SSB-1890	480.00	—	—	164	—	252	—	—
SSB-1969	500.00	—	—	—	64	256	348	—
SSB-2126	540.00	—	—	—	—	260	352	—
SSB-2284	580.00	—	—	—	—	264	356	—

¹ Add suffix "-S17" for 17-7 stainless steel.

² Wave springs fit snug in housing.

³ Check bearing dimensions.

⁴ See pages 132-133 for How to Order.

C/CS Series - Crest-To-Crest® Springs

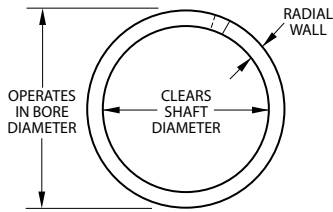


Stock Items in carbon steel and 17-7 PH stainless steel.

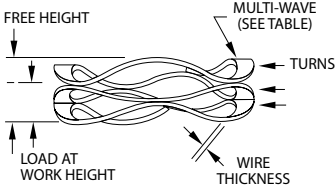
Smalley Part Number ^{1,2,5}	Operates in Bore Diameter	Clears Shaft Diameter	Load (lb)	Work Height	Free Height ³	Number of Waves	Number of Turns	Thickness	Radial Wall	Spring Rate ⁴
C025-L1*	.250	.150	2	.033	.075	2.5	3	.006	.024	48
C025-L2*	.250	.150	2	.050	.100	2.5	4	.006	.024	40
C025-L3*	.250	.150	2	.060	.125	2.5	5	.006	.024	31
C025-L4*	.250	.150	2	.075	.150	2.5	6	.006	.024	27
C025-L5*	.250	.150	2	.085	.175	2.5	7	.006	.024	22
C025-L6*	.250	.150	2	.095	.200	2.5	8	.006	.024	19
C025-L7*	.250	.150	2	.120	.225	2.5	9	.006	.024	19
C025-L8*	.250	.150	2	.140	.275	2.5	11	.006	.024	15
C025-L9*	.250	.150	2	.170	.325	2.5	13	.006	.024	13
C025-M1*	.250	.150	5	.037	.075	2.5	3	.008	.024	132
C025-M2*	.250	.150	5	.048	.100	2.5	4	.008	.024	96
C025-M3*	.250	.150	5	.065	.125	2.5	5	.008	.024	83
C025-M4*	.250	.150	5	.075	.150	2.5	6	.008	.024	67
C025-M5*	.250	.150	5	.090	.175	2.5	7	.008	.024	59
C025-M6*	.250	.150	5	.100	.200	2.5	8	.008	.024	50
C025-M7*	.250	.150	5	.120	.225	2.5	9	.008	.024	48
C025-M8*	.250	.150	5	.148	.275	2.5	11	.008	.024	39
C025-M9*	.250	.150	5	.175	.325	2.5	13	.008	.024	33
C031-L1	.312	.200	3	.070	.114	2.5	3	.008	.032	68
C031-L2	.312	.200	3	.096	.152	2.5	4	.008	.032	54
C031-L3	.312	.200	3	.118	.190	2.5	5	.008	.032	42
C031-L4	.312	.200	3	.145	.228	2.5	6	.008	.032	36
C031-L5	.312	.200	3	.165	.266	2.5	7	.008	.032	30
C031-L6	.312	.200	3	.195	.304	2.5	8	.008	.032	28
C031-L7	.312	.200	3	.215	.342	2.5	9	.008	.032	24
C031-L8	.312	.200	3	.262	.418	2.5	11	.008	.032	19
C031-L9	.312	.200	3	.309	.494	2.5	13	.008	.032	16
C031-M1	.312	.200	6	.072	.114	2.5	3	.010	.032	143
C031-M2	.312	.200	6	.096	.152	2.5	4	.010	.032	107
C031-M3	.312	.200	6	.123	.190	2.5	5	.010	.032	90
C031-M4	.312	.200	6	.144	.228	2.5	6	.010	.032	71
C031-M5	.312	.200	6	.176	.266	2.5	7	.010	.032	67
C031-M6	.312	.200	6	.197	.304	2.5	8	.010	.032	56
C031-M7	.312	.200	6	.227	.342	2.5	9	.010	.032	52
C031-M8	.312	.200	6	.278	.418	2.5	11	.010	.032	43
C031-M9	.312	.200	6	.336	.494	2.5	13	.010	.032	38
C037-L1	.375	.250	4	.062	.150	2.5	3	.008	.032	45
C037-L2	.375	.250	4	.098	.200	2.5	4	.008	.032	39
C037-L3	.375	.250	4	.108	.250	2.5	5	.008	.032	28
C037-L4	.375	.250	4	.135	.300	2.5	6	.008	.032	24
C037-L5	.375	.250	4	.150	.350	2.5	7	.008	.032	20
C037-L6	.375	.250	4	.184	.400	2.5	8	.008	.032	19
C037-L7	.375	.250	4	.195	.450	2.5	9	.008	.032	16
C037-L8	.375	.250	4	.228	.500	2.5	10	.008	.032	15
C037-L9	.375	.250	4	.240	.550	2.5	11	.008	.032	13
C037-M1	.375	.250	7	.081	.150	2.5	3	.011	.032	101
C037-M2	.375	.250	7	.119	.200	2.5	4	.011	.032	86
C037-M3	.375	.250	7	.145	.250	2.5	5	.011	.032	67
C037-M4	.375	.250	7	.180	.300	2.5	6	.011	.032	58
C037-M5	.375	.250	7	.202	.350	2.5	7	.011	.032	47
C037-M6	.375	.250	7	.240	.400	2.5	8	.011	.032	44
C037-M7	.375	.250	7	.262	.450	2.5	9	.011	.032	37
C037-M8	.375	.250	7	.298	.500	2.5	10	.011	.032	35
C037-M9	.375	.250	7	.327	.550	2.5	11	.011	.032	31

Product Dimensions

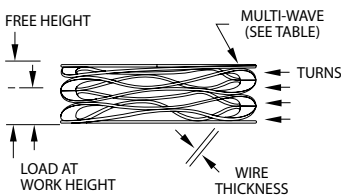
All dimensions in inches unless otherwise specified.



Plain Ends



Shim Ends



Order Options

C037-L1

End options:

Plain ends C
 Squared-shim ends CS

Material option:

Carbon Steel (blank)
 Stainless Steel -S17

¹ Use "C" prefix for plain ends. Use "CS" prefix for squared-shim ends.

² Add suffix "-S17" for 17-7 stainless steel.

³ Reference dimension.

⁴ Theoretical dimension; measured in lb/in.

⁵ See pages 132-133 for How to Order.

*Not available with shim ends

Stock Items in carbon steel and 17-7 PH stainless steel.

Smalley Part Number ^{1,2,5}	Operates in Bore Diameter	Clears Shaft Diameter	Load (lb)	Work Height	Free Height ³	Number of Waves	Number of Turns	Thickness	Radial Wall	Spring Rate ⁴
C043-L1	.437	.281	4	.063	.165	2.5	3	.008	.040	39
C043-L2	.437	.281	4	.093	.220	2.5	4	.008	.040	31
C043-L3	.437	.281	4	.109	.275	2.5	5	.008	.040	24
C043-L4	.437	.281	4	.143	.330	2.5	6	.008	.040	21
C043-L5	.437	.281	4	.160	.385	2.5	7	.008	.040	18
C043-L6	.437	.281	4	.195	.440	2.5	8	.008	.040	16
C043-L7	.437	.281	4	.210	.495	2.5	9	.008	.040	14
C043-L8	.437	.281	4	.240	.550	2.5	10	.008	.040	13
C043-L9	.437	.281	4	.260	.605	2.5	11	.008	.040	12
C043-M1	.437	.281	8	.082	.165	2.5	3	.011	.046	96
C043-M2	.437	.281	8	.115	.220	2.5	4	.011	.046	76
C043-M3	.437	.281	8	.142	.275	2.5	5	.011	.046	60
C043-M4	.437	.281	8	.179	.330	2.5	6	.011	.046	53
C043-M5	.437	.281	8	.198	.385	2.5	7	.011	.046	43
C043-M6	.437	.281	8	.231	.440	2.5	8	.011	.046	38
C043-M7	.437	.281	8	.255	.495	2.5	9	.011	.046	33
C043-M8	.437	.281	8	.290	.550	2.5	10	.011	.046	31
C043-M9	.437	.281	8	.319	.605	2.5	11	.011	.046	28
C050-L1	.500	.312	5	.062	.180	2.5	3	.008	.056	42
C050-L2	.500	.312	5	.090	.240	2.5	4	.008	.056	33
C050-L3	.500	.312	5	.107	.300	2.5	5	.008	.056	26
C050-L4	.500	.312	5	.136	.360	2.5	6	.008	.056	22
C050-L5	.500	.312	5	.150	.420	2.5	7	.008	.056	19
C050-L6	.500	.312	5	.180	.480	2.5	8	.008	.056	17
C050-L7	.500	.312	5	.195	.540	2.5	9	.008	.056	14
C050-L8	.500	.312	5	.220	.600	2.5	10	.008	.056	13
C050-L9	.500	.312	5	.240	.660	2.5	11	.008	.056	12
C050-M1	.500	.312	10	.065	.180	2.5	3	.010	.058	87
C050-M2	.500	.312	10	.092	.240	2.5	4	.010	.058	68
C050-M3	.500	.312	10	.114	.300	2.5	5	.010	.058	54
C050-M4	.500	.312	10	.147	.360	2.5	6	.010	.058	47
C050-M5	.500	.312	10	.162	.420	2.5	7	.010	.058	39
C050-M6	.500	.312	10	.196	.480	2.5	8	.010	.058	35
C050-M7	.500	.312	10	.207	.540	2.5	9	.010	.058	30
C050-M8	.500	.312	10	.246	.600	2.5	10	.010	.058	28
C050-M9	.500	.312	10	.264	.660	2.5	11	.010	.058	25
C050-H1	.500	.312	15	.075	.180	2.5	3	.012	.060	143
C050-H2	.500	.312	15	.110	.240	2.5	4	.012	.060	115
C050-H3	.500	.312	15	.136	.300	2.5	5	.012	.060	91
C050-H4	.500	.312	15	.167	.360	2.5	6	.012	.060	78
C050-H5	.500	.312	15	.182	.420	2.5	7	.012	.060	63
C050-H6	.500	.312	15	.216	.480	2.5	8	.012	.060	57
C050-H7	.500	.312	15	.240	.540	2.5	9	.012	.060	50
C050-H8	.500	.312	15	.280	.600	2.5	10	.012	.060	47
C050-H9	.500	.312	15	.312	.660	2.5	11	.012	.060	43
C056-L1	.562	.375	5	.080	.195	2.5	3	.009	.058	43
C056-L2	.562	.375	5	.125	.260	2.5	4	.009	.058	37
C056-L3	.562	.375	5	.135	.325	2.5	5	.009	.058	26
C056-L4	.562	.375	5	.180	.390	2.5	6	.009	.058	24
C056-L5	.562	.375	5	.190	.455	2.5	7	.009	.058	19
C056-L6	.562	.375	5	.230	.520	2.5	8	.009	.058	17
C056-L7	.562	.375	5	.260	.585	2.5	9	.009	.058	15
C056-L8	.562	.375	5	.285	.650	2.5	10	.009	.058	14
C056-L9	.562	.375	5	.315	.715	2.5	11	.009	.058	13

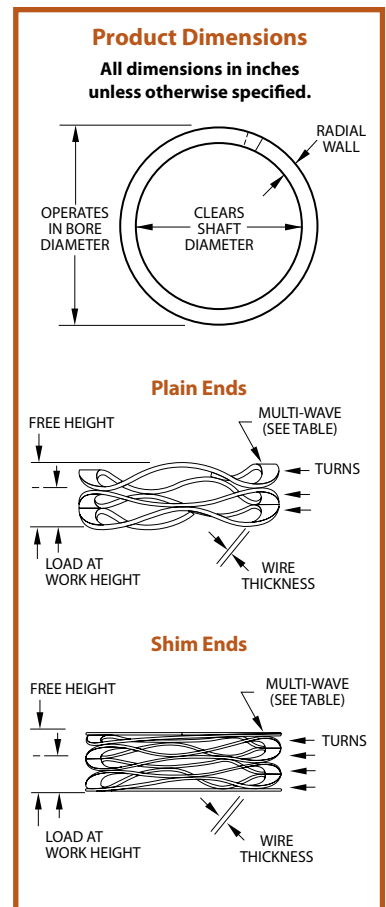
¹ Use "C" prefix for plain ends. Use "CS" prefix for squared-shim ends.

² Add suffix "-S17" for 17-7 stainless steel.

³ Reference dimension.

⁴ Theoretical dimension; measured in lb/in.

⁵ See pages 132-133 for How to Order.



Order Options

C037-L1

End options:

Plain ends C
 Squared-shim ends CS

Material option:

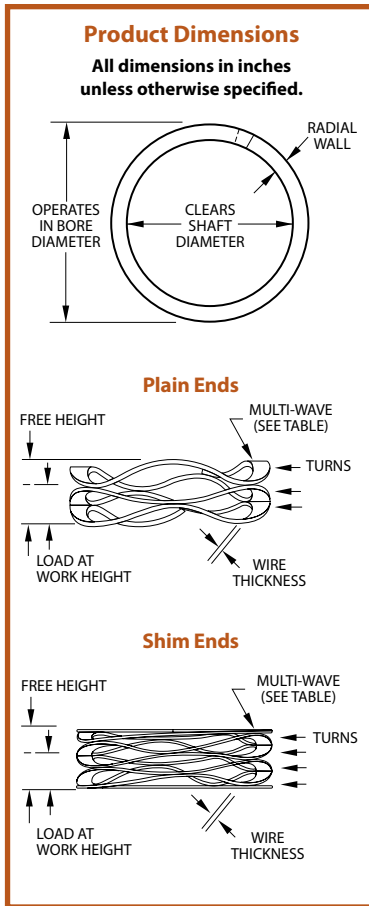
Carbon Steel (blank)
 Stainless Steel -S17

C/CS Series - Crest-To-Crest® Springs



Stock Items in carbon steel and 17-7 PH stainless steel.

Smalley Part Number ^{1,2,5}	Operates in Bore Diameter	Clears Shaft Diameter	Load (lb)	Work Height	Free Height ³	Number of Waves	Number of Turns	Thickness	Radial Wall	Spring Rate ⁴
C056-M1	.562	.375	11	.086	.195	2.5	3	.012	.060	101
C056-M2	.562	.375	11	.123	.260	2.5	4	.012	.060	80
C056-M3	.562	.375	11	.145	.325	2.5	5	.012	.060	61
C056-M4	.562	.375	11	.187	.390	2.5	6	.012	.060	54
C056-M5	.562	.375	11	.209	.455	2.5	7	.012	.060	45
C056-M6	.562	.375	11	.253	.520	2.5	8	.012	.060	41
C056-M7	.562	.375	11	.273	.585	2.5	9	.012	.060	35
C056-M8	.562	.375	11	.318	.650	2.5	10	.012	.060	33
C056-M9	.562	.375	11	.343	.715	2.5	11	.012	.060	30
C056-H1	.562	.375	18	.093	.195	2.5	3	.015	.060	176
C056-H2	.562	.375	18	.136	.260	2.5	4	.015	.060	145
C056-H3	.562	.375	18	.165	.325	2.5	5	.015	.060	113
C056-H4	.562	.375	18	.212	.390	2.5	6	.015	.060	101
C056-H5	.562	.375	18	.245	.455	2.5	7	.015	.060	86
C056-H6	.562	.375	18	.282	.520	2.5	8	.015	.060	76
C056-H7	.562	.375	18	.323	.585	2.5	9	.015	.060	69
C056-H8	.562	.375	18	.360	.650	2.5	10	.015	.060	62
C056-H9	.562	.375	18	.408	.715	2.5	11	.015	.060	59
C062-L1	.625	.450	6	.055	.180	2.5	3	.010	.058	48
C062-L2	.625	.450	6	.068	.240	2.5	4	.010	.058	35
C062-L3	.625	.450	6	.085	.300	2.5	5	.010	.058	28
C062-L4	.625	.450	6	.106	.360	2.5	6	.010	.058	24
C062-L5	.625	.450	6	.128	.420	2.5	7	.010	.058	21
C062-L6	.625	.450	6	.165	.540	2.5	9	.010	.058	16
C062-L7	.625	.450	6	.202	.660	2.5	11	.010	.058	13
C062-L8	.625	.450	6	.238	.780	2.5	13	.010	.058	11
C062-M1	.625	.450	12	.104	.180	3.5	3	.010	.058	158
C062-M2	.625	.450	12	.130	.240	3.5	4	.010	.058	109
C062-M3	.625	.450	12	.175	.300	3.5	5	.010	.058	96
C062-M4	.625	.450	12	.206	.360	3.5	6	.010	.058	78
C062-M5	.625	.450	12	.246	.420	3.5	7	.010	.058	69
C062-M6	.625	.450	12	.317	.540	3.5	9	.010	.058	54
C062-M7	.625	.450	12	.386	.660	3.5	11	.010	.058	44
C062-M8	.625	.450	12	.454	.780	3.5	13	.010	.058	37
C062-H1	.625	.450	20	.102	.180	3.5	3	.012	.060	256
C062-H2	.625	.450	20	.135	.240	3.5	4	.012	.060	190
C062-H3	.625	.450	20	.175	.300	3.5	5	.012	.060	160
C062-H4	.625	.450	20	.205	.360	3.5	6	.012	.060	129
C062-H5	.625	.450	20	.245	.420	3.5	7	.012	.060	114
C062-H6	.625	.450	20	.315	.540	3.5	9	.012	.060	89
C062-H7	.625	.450	20	.390	.660	3.5	11	.012	.060	74
C062-H8	.625	.450	20	.465	.780	3.5	13	.012	.060	63
C075-L1	.750	.550	7	.142	.250	3.5	3	.008	.071	65
C075-L2	.750	.550	7	.187	.333	3.5	4	.008	.071	48
C075-L3	.750	.550	7	.246	.417	3.5	5	.008	.071	41
C075-L4	.750	.550	7	.285	.500	3.5	6	.008	.071	33
C075-L5	.750	.550	7	.348	.583	3.5	7	.008	.071	30
C075-L6	.750	.550	7	.446	.750	3.5	9	.008	.071	23
C075-L7	.750	.550	7	.580	1.000	3.5	12	.008	.071	17
C075-M1	.750	.550	13	.159	.250	3.5	3	.010	.078	143
C075-M2	.750	.550	13	.203	.333	3.5	4	.010	.078	100
C075-M3	.750	.550	13	.270	.417	3.5	5	.010	.078	88
C075-M4	.750	.550	13	.314	.500	3.5	6	.010	.078	70
C075-M5	.750	.550	13	.381	.583	3.5	7	.010	.078	64
C075-M6	.750	.550	13	.489	.750	3.5	9	.010	.078	50
C075-M7	.750	.550	13	.649	1.000	3.5	12	.010	.078	37
C075-H1	.750	.550	22	.169	.250	3.5	3	.013	.079	272
C075-H2	.750	.550	22	.215	.333	3.5	4	.013	.079	186
C075-H3	.750	.550	22	.291	.417	3.5	5	.013	.079	175
C075-H4	.750	.550	22	.335	.500	3.5	6	.013	.079	133
C075-H5	.750	.550	22	.405	.583	3.5	7	.013	.079	124
C075-H6	.750	.550	22	.526	.750	3.5	9	.013	.079	98
C075-H7	.750	.550	22	.699	1.000	3.5	12	.013	.079	73



Order Options

C037-L1

End options:

Plain ends C
 Squared-shim ends CS

Material option:

Carbon Steel (blank)
 Stainless Steel -S17

¹ Use "C" prefix for plain ends. Use "CS" prefix for squared-shim ends.

² Add suffix "-S17" for 17-7 stainless steel.

³ Reference dimension.

⁴ Theoretical dimension; measured in lb/in.

⁵ See pages 132-133 for How to Order.

Stock Items in carbon steel and 17-7 PH stainless steel.

Smalley Part Number ^{1,2,5}	Operates in Bore Diameter	Clears Shaft Diameter	Load (lb)	Work Height	Free Height ³	Number of Waves	Number of Turns	Thickness	Radial Wall	Spring Rate ⁴
C087-L1	.875	.600	12	.117	.250	3.5	3	.010	.086	90
C087-L2	.875	.600	12	.158	.333	3.5	4	.010	.086	69
C087-L3	.875	.600	12	.207	.417	3.5	5	.010	.086	57
C087-L4	.875	.600	12	.242	.500	3.5	6	.010	.086	47
C087-L5	.875	.600	12	.287	.583	3.5	7	.010	.086	41
C087-L6	.875	.600	12	.378	.750	3.5	9	.010	.086	32
C087-L7	.875	.600	12	.498	1.000	3.5	12	.010	.086	24
C087-M1	.875	.600	18	.124	.250	3.5	3	.012	.094	148
C087-M2	.875	.600	18	.164	.333	3.5	4	.012	.094	108
C087-M3	.875	.600	18	.214	.417	3.5	5	.012	.094	89
C087-M4	.875	.600	18	.252	.500	3.5	6	.012	.094	76
C087-M5	.875	.600	18	.296	.583	3.5	7	.012	.094	66
C087-M6	.875	.600	18	.385	.750	3.5	9	.012	.094	50
C087-M7	.875	.600	18	.509	1.000	3.5	12	.012	.094	38
C087-H1	.875	.600	25	.166	.250	3.5	3	.015	.094	298
C087-H2	.875	.600	25	.214	.333	3.5	4	.015	.094	210
C087-H3	.875	.600	25	.278	.417	3.5	5	.015	.094	180
C087-H4	.875	.600	25	.327	.500	3.5	6	.015	.094	145
C087-H5	.875	.600	25	.395	.583	3.5	7	.015	.094	133
C087-H6	.875	.600	25	.510	.750	3.5	9	.015	.094	104
C087-H7	.875	.600	25	.670	1.000	3.5	12	.015	.094	78
C100-L1	1.000	.730	12	.084	.250	3.5	3	.010	.086	72
C100-L2	1.000	.730	12	.108	.333	3.5	4	.010	.086	53
C100-L3	1.000	.730	12	.145	.417	3.5	5	.010	.086	44
C100-L4	1.000	.730	12	.165	.500	3.5	6	.010	.086	36
C100-L5	1.000	.730	12	.201	.583	3.5	7	.010	.086	31
C100-L6	1.000	.730	12	.258	.750	3.5	9	.010	.086	24
C100-L7	1.000	.730	12	.342	1.000	3.5	12	.010	.086	18
C100-L8	1.000	.730	12	.445	1.250	3.5	15	.010	.086	15
C100-L9	1.000	.730	12	.519	1.500	3.5	18	.010	.086	12
C100-L10	1.000	.730	12	.633	1.750	3.5	21	.010	.086	11
C100-L11	1.000	.730	12	.710	2.000	3.5	24	.010	.086	9
C100-M1	1.000	.730	18	.087	.250	3.5	3	.012	.094	110
C100-M2	1.000	.730	18	.113	.333	3.5	4	.012	.094	82
C100-M3	1.000	.730	18	.148	.417	3.5	5	.012	.094	67
C100-M4	1.000	.730	18	.175	.500	3.5	6	.012	.094	55
C100-M5	1.000	.730	18	.212	.583	3.5	7	.012	.094	49
C100-M6	1.000	.730	18	.276	.750	3.5	9	.012	.094	38
C100-M7	1.000	.730	18	.360	1.000	3.5	12	.012	.094	28
C100-M8	1.000	.730	18	.452	1.250	3.5	15	.012	.094	23
C100-M9	1.000	.730	18	.549	1.500	3.5	18	.012	.094	19
C100-M10	1.000	.730	18	.650	1.750	3.5	21	.012	.094	16
C100-M11	1.000	.730	18	.720	2.000	3.5	24	.012	.094	14
C100-H1	1.000	.730	25	.131	.250	3.5	3	.015	.094	210
C100-H2	1.000	.730	25	.174	.333	3.5	4	.015	.094	157
C100-H3	1.000	.730	25	.227	.417	3.5	5	.015	.094	132
C100-H4	1.000	.730	25	.266	.500	3.5	6	.015	.094	107
C100-H5	1.000	.730	25	.319	.583	3.5	7	.015	.094	95
C100-H6	1.000	.730	25	.406	.750	3.5	9	.015	.094	73
C100-H7	1.000	.730	25	.541	1.000	3.5	12	.015	.094	54
C100-H8	1.000	.730	25	.688	1.250	3.5	15	.015	.094	45
C100-H9	1.000	.730	25	.813	1.500	3.5	18	.015	.094	36
C100-H10	1.000	.730	25	.957	1.750	3.5	21	.015	.094	32
C100-H11	1.000	.730	25	1.083	2.000	3.5	24	.015	.094	27

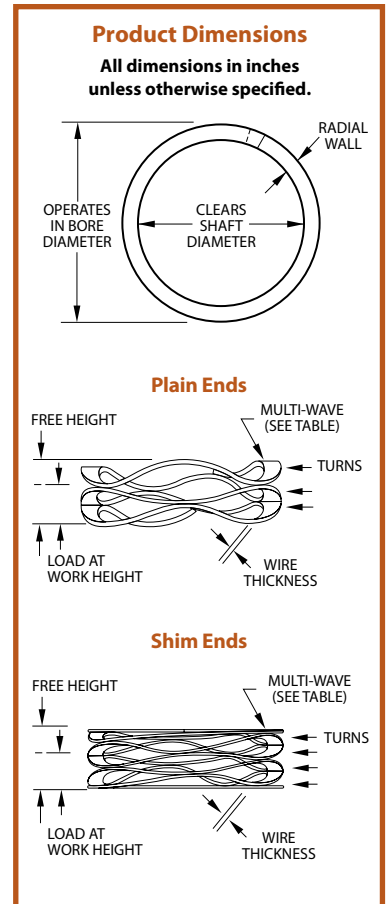
¹ Use "C" prefix for plain ends. Use "CS" prefix for squared-shim ends.

² Add suffix "-S17" for 17-7 stainless steel.

³ Reference dimension.

⁴ Theoretical dimension; measured in lb/in.

⁵ See pages 132-133 for How to Order.



Order Options

C037-L1

End options:

Plain ends **C**
Squared-shim ends **CS**

Material option:

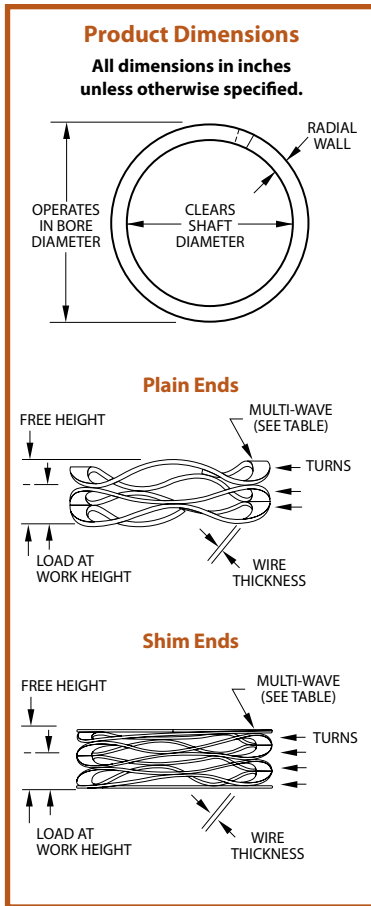
Carbon Steel **(blank)**
Stainless Steel **-S17**

C/CS Series - Crest-To-Crest® Springs



Stock Items in carbon steel and 17-7 PH stainless steel.

Smalley Part Number ^{1,2,5}	Operates in Bore Diameter	Clears Shaft Diameter	Load (lb)	Work Height	Free Height ³	Number of Waves	Number of Turns	Thickness	Radial Wall	Spring Rate ⁴
C112-L1	1.125	.850	12	.146	.300	3.5	3	.012	.094	78
C112-L2	1.125	.850	12	.186	.400	3.5	4	.012	.094	56
C112-L3	1.125	.850	12	.250	.500	3.5	5	.012	.094	48
C112-L4	1.125	.850	12	.295	.600	3.5	6	.012	.094	39
C112-L5	1.125	.850	12	.344	.700	3.5	7	.012	.094	34
C112-L6	1.125	.850	12	.392	.800	3.5	8	.012	.094	29
C112-L7	1.125	.850	12	.488	1.000	3.5	10	.012	.094	23
C112-L8	1.125	.850	12	.659	1.300	3.5	13	.012	.094	19
C112-L9	1.125	.850	12	.807	1.600	3.5	16	.012	.094	15
C112-L10	1.125	.850	12	1.017	2.000	3.5	20	.012	.094	12
C112-M1	1.125	.850	20	.160	.300	3.5	3	.015	.094	143
C112-M2	1.125	.850	20	.202	.400	3.5	4	.015	.094	101
C112-M3	1.125	.850	20	.270	.500	3.5	5	.015	.094	87
C112-M4	1.125	.850	20	.318	.600	3.5	6	.015	.094	71
C112-M5	1.125	.850	20	.381	.700	3.5	7	.015	.094	63
C112-M6	1.125	.850	20	.427	.800	3.5	8	.015	.094	54
C112-M7	1.125	.850	20	.536	1.000	3.5	10	.015	.094	43
C112-M8	1.125	.850	20	.708	1.300	3.5	13	.015	.094	34
C112-M9	1.125	.850	20	.861	1.600	3.5	16	.015	.094	27
C112-M10	1.125	.850	20	1.088	2.000	3.5	20	.015	.094	22
C112-H1	1.125	.850	30	.178	.300	3.5	3	.018	.094	246
C112-H2	1.125	.850	30	.229	.400	3.5	4	.018	.094	175
C112-H3	1.125	.850	30	.303	.500	3.5	5	.018	.094	152
C112-H4	1.125	.850	30	.350	.600	3.5	6	.018	.094	120
C112-H5	1.125	.850	30	.421	.700	3.5	7	.018	.094	108
C112-H6	1.125	.850	30	.470	.800	3.5	8	.018	.094	91
C112-H7	1.125	.850	30	.593	1.000	3.5	10	.018	.094	74
C112-H8	1.125	.850	30	.787	1.300	3.5	13	.018	.094	58
C112-H9	1.125	.850	30	.956	1.600	3.5	16	.018	.094	47
C112-H10	1.125	.850	30	1.202	2.000	3.5	20	.018	.094	38
C125-L1	1.250	1.000	12	.084	.250	3.5	3	.012	.094	56
C125-L2	1.250	1.000	12	.113	.400	3.5	4	.012	.094	42
C125-L3	1.250	1.000	12	.149	.500	3.5	5	.012	.094	34
C125-L4	1.250	1.000	12	.172	.600	3.5	6	.012	.094	28
C125-L5	1.250	1.000	12	.207	.700	3.5	7	.012	.094	24
C125-L6	1.250	1.000	12	.227	.800	3.5	8	.012	.094	21
C125-L7	1.250	1.000	12	.301	1.000	3.5	10	.012	.094	17
C125-L8	1.250	1.000	12	.395	1.300	3.5	13	.012	.094	13
C125-L9	1.250	1.000	12	.467	1.600	3.5	16	.012	.094	11
C125-L10	1.250	1.000	12	.591	2.000	3.5	20	.012	.094	9
C125-M1	1.250	1.000	20	.124	.300	3.5	3	.015	.094	114
C125-M2	1.250	1.000	20	.165	.400	3.5	4	.015	.094	85
C125-M3	1.250	1.000	20	.215	.500	3.5	5	.015	.094	70
C125-M4	1.250	1.000	20	.253	.600	3.5	6	.015	.094	58
C125-M5	1.250	1.000	20	.303	.700	3.5	7	.015	.094	50
C125-M6	1.250	1.000	20	.341	.800	3.5	8	.015	.094	44
C125-M7	1.250	1.000	20	.427	1.000	3.5	10	.015	.094	35
C125-M8	1.250	1.000	20	.577	1.300	3.5	13	.015	.094	28
C125-M9	1.250	1.000	20	.692	1.600	3.5	16	.015	.094	22
C125-M10	1.250	1.000	20	.866	2.000	3.5	20	.015	.094	18
C125-H1	1.250	1.000	30	.158	.300	3.5	3	.019	.094	210
C125-H2	1.250	1.000	30	.210	.400	3.5	4	.019	.094	158
C125-H3	1.250	1.000	30	.272	.500	3.5	5	.019	.094	132
C125-H4	1.250	1.000	30	.320	.600	3.5	6	.019	.094	107
C125-H5	1.250	1.000	30	.384	.700	3.5	7	.019	.094	95
C125-H6	1.250	1.000	30	.433	.800	3.5	8	.019	.094	82
C125-H7	1.250	1.000	30	.538	1.000	3.5	10	.019	.094	65
C125-H8	1.250	1.000	30	.717	1.300	3.5	13	.019	.094	51
C125-H9	1.250	1.000	30	.878	1.600	3.5	16	.019	.094	42
C125-H10	1.250	1.000	30	1.103	2.000	3.5	20	.019	.094	33



Order Options

C037-L1

End options:
 Plain ends C
 Squared-shim ends CS

Material option:
 Carbon Steel (blank)
 Stainless Steel -S17

¹ Use "C" prefix for plain ends. Use "CS" prefix for squared-shim ends.
² Add suffix "-S17" for 17-7 stainless steel.
³ Reference dimension.
⁴ Theoretical dimension; measured in lb/in.
⁵ See pages 132-133 for How to Order.

Stock Items in carbon steel and 17-7 PH stainless steel.

Smalley Part Number ^{1,2,5}	Operates in Bore Diameter	Clears Shaft Diameter	Load (lb)	Work Height	Free Height ³	Number of Waves	Number of Turns	Thickness	Radial Wall	Spring Rate ⁴
C137-L1	1.375	1.030	15	.075	.300	3.5	3	.012	.122	67
C137-L2	1.375	1.030	15	.099	.400	3.5	4	.012	.122	50
C137-L3	1.375	1.030	15	.129	.500	3.5	5	.012	.122	40
C137-L4	1.375	1.030	15	.155	.600	3.5	6	.012	.122	34
C137-L5	1.375	1.030	15	.179	.700	3.5	7	.012	.122	29
C137-L6	1.375	1.030	15	.206	.800	3.5	8	.012	.122	25
C137-L7	1.375	1.030	15	.256	1.000	3.5	10	.012	.122	20
C137-L8	1.375	1.030	15	.341	1.300	3.5	13	.012	.122	16
C137-L9	1.375	1.030	15	.424	1.600	3.5	16	.012	.122	13
C137-L10	1.375	1.030	15	.530	2.000	3.5	20	.012	.122	10
C137-M1	1.375	1.030	25	.142	.300	3.5	3	.016	.133	158
C137-M2	1.375	1.030	25	.186	.400	3.5	4	.016	.133	117
C137-M3	1.375	1.030	25	.240	.500	3.5	5	.016	.133	96
C137-M4	1.375	1.030	25	.281	.600	3.5	6	.016	.133	78
C137-M5	1.375	1.030	25	.340	.700	3.5	7	.016	.133	69
C137-M6	1.375	1.030	25	.384	.800	3.5	8	.016	.133	60
C137-M7	1.375	1.030	25	.486	1.000	3.5	10	.016	.133	49
C137-M8	1.375	1.030	25	.632	1.300	3.5	13	.016	.133	37
C137-M9	1.375	1.030	25	.788	1.600	3.5	16	.016	.133	31
C137-M10	1.375	1.030	25	.982	2.000	3.5	20	.016	.133	25
C137-H1	1.375	1.030	35	.149	.300	3.5	3	.018	.133	232
C137-H2	1.375	1.030	35	.189	.400	3.5	4	.018	.133	166
C137-H3	1.375	1.030	35	.247	.500	3.5	5	.018	.133	138
C137-H4	1.375	1.030	35	.287	.600	3.5	6	.018	.133	112
C137-H5	1.375	1.030	35	.343	.700	3.5	7	.018	.133	98
C137-H6	1.375	1.030	35	.390	.800	3.5	8	.018	.133	85
C137-H7	1.375	1.030	35	.490	1.000	3.5	10	.018	.133	69
C137-H8	1.375	1.030	35	.646	1.300	3.5	13	.018	.133	54
C137-H9	1.375	1.030	35	.793	1.600	3.5	16	.018	.133	43
C137-H10	1.375	1.030	35	1.000	2.000	3.5	20	.018	.133	35
C150-L1	1.500	1.140	20	.129	.300	3.5	3	.016	.133	117
C150-L2	1.500	1.140	20	.164	.400	3.5	4	.016	.133	85
C150-L3	1.500	1.140	20	.213	.500	3.5	5	.016	.133	70
C150-L4	1.500	1.140	20	.247	.600	3.5	6	.016	.133	57
C150-L5	1.500	1.140	20	.301	.700	3.5	7	.016	.133	50
C150-L6	1.500	1.140	20	.337	.800	3.5	8	.016	.133	43
C150-L7	1.500	1.140	20	.430	1.000	3.5	10	.016	.133	35
C150-L8	1.500	1.140	20	.565	1.300	3.5	13	.016	.133	27
C150-L9	1.500	1.140	20	.694	1.600	3.5	16	.016	.133	22
C150-L10	1.500	1.140	20	.866	2.000	3.5	20	.016	.133	18
C150-M1	1.500	1.140	35	.122	.300	3.5	3	.018	.133	197
C150-M2	1.500	1.140	35	.158	.400	3.5	4	.018	.133	145
C150-M3	1.500	1.140	35	.206	.500	3.5	5	.018	.133	119
C150-M4	1.500	1.140	35	.241	.600	3.5	6	.018	.133	97
C150-M5	1.500	1.140	35	.291	.700	3.5	7	.018	.133	86
C150-M6	1.500	1.140	35	.324	.800	3.5	8	.018	.133	74
C150-M7	1.500	1.140	35	.409	1.000	3.5	10	.018	.133	59
C150-M8	1.500	1.140	35	.540	1.300	3.5	13	.018	.133	46
C150-M9	1.500	1.140	35	.657	1.600	3.5	16	.018	.133	37
C150-M10	1.500	1.140	35	.835	2.000	3.5	20	.018	.133	30
C150-H1	1.500	1.140	60	.166	.300	4.5	3	.018	.133	448
C150-H2	1.500	1.140	60	.216	.400	4.5	4	.018	.133	326
C150-H3	1.500	1.140	60	.278	.500	4.5	5	.018	.133	270
C150-H4	1.500	1.140	60	.329	.600	4.5	6	.018	.133	221
C150-H5	1.500	1.140	60	.390	.700	4.5	7	.018	.133	194
C150-H6	1.500	1.140	60	.443	.800	4.5	8	.018	.133	168
C150-H7	1.500	1.140	60	.555	1.000	4.5	10	.018	.133	135
C150-H8	1.500	1.140	60	.726	1.300	4.5	13	.018	.133	105
C150-H9	1.500	1.140	60	.890	1.600	4.5	16	.018	.133	85
C150-H10	1.500	1.140	60	1.119	2.000	4.5	20	.018	.133	68

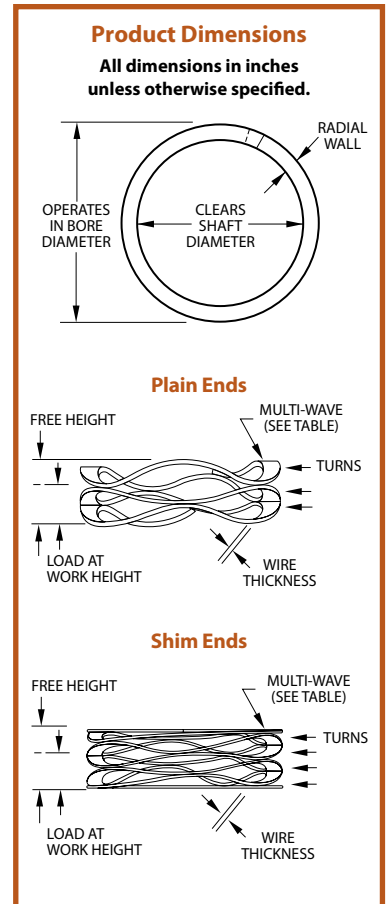
¹ Use "C" prefix for plain ends. Use "CS" prefix for squared-shim ends.

² Add suffix "-S17" for 17-7 stainless steel.

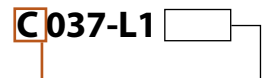
³ Reference dimension.

⁴ Theoretical dimension; measured in lb/in.

⁵ See pages 132-133 for How to Order.



Order Options



End options:

Plain ends **C**
 Squared-shim ends **CS**

Material option:

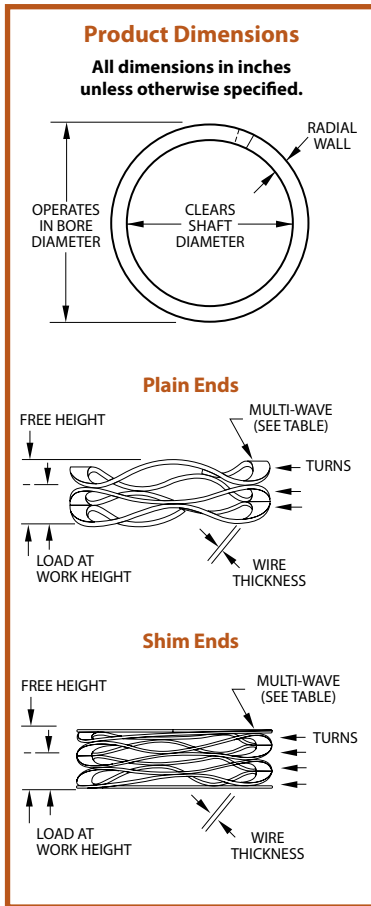
Carbon Steel **(blank)**
 Stainless Steel **-S17**

C/CS Series - Crest-To-Crest® Springs



Stock Items in carbon steel and 17-7 PH stainless steel.

Smalley Part Number ^{1,2,5}	Operates in Bore Diameter	Clears Shaft Diameter	Load (lb)	Work Height	Free Height ³	Number of Waves	Number of Turns	Thickness	Radial Wall	Spring Rate ⁴
C175-L1	1.750	1.340	25	.155	.375	3.5	3	.018	.143	114
C175-L2	1.750	1.340	25	.200	.500	3.5	4	.018	.143	83
C175-L3	1.750	1.340	25	.265	.625	3.5	5	.018	.143	69
C175-L4	1.750	1.340	25	.310	.750	3.5	6	.018	.143	57
C175-L5	1.750	1.340	25	.367	.870	3.5	7	.018	.143	50
C175-L6	1.750	1.340	25	.415	1.000	3.5	8	.018	.143	43
C175-L7	1.750	1.340	25	.523	1.250	3.5	10	.018	.143	34
C175-L8	1.750	1.340	25	.638	1.500	3.5	12	.018	.143	29
C175-L9	1.750	1.340	25	.737	1.750	3.5	14	.018	.143	25
C175-L10	1.750	1.340	25	.844	2.000	3.5	16	.018	.143	22
C175-M1	1.750	1.340	50	.188	.375	4.5	3	.018	.143	267
C175-M2	1.750	1.340	50	.244	.500	4.5	4	.018	.143	195
C175-M3	1.750	1.340	50	.315	.625	4.5	5	.018	.143	161
C175-M4	1.750	1.340	50	.374	.750	4.5	6	.018	.143	133
C175-M5	1.750	1.340	50	.452	.870	4.5	7	.018	.143	120
C175-M6	1.750	1.340	50	.505	1.000	4.5	8	.018	.143	101
C175-M7	1.750	1.340	50	.629	1.250	4.5	10	.018	.143	81
C175-M8	1.750	1.340	50	.768	1.500	4.5	12	.018	.143	68
C175-M9	1.750	1.340	50	.899	1.750	4.5	14	.018	.143	59
C175-M10	1.750	1.340	50	1.026	2.000	4.5	16	.018	.143	51
C175-H1	1.750	1.340	90	.232	.375	4.5	3	.024	.148	629
C175-H2	1.750	1.340	90	.314	.500	4.5	4	.024	.148	484
C175-H3	1.750	1.340	90	.409	.625	4.5	5	.024	.148	417
C175-H4	1.750	1.340	90	.482	.750	4.5	6	.024	.148	336
C175-H5	1.750	1.340	90	.577	.870	4.5	7	.024	.148	307
C175-H6	1.750	1.340	90	.651	1.000	4.5	8	.024	.148	258
C175-H7	1.750	1.340	90	.813	1.250	4.5	10	.024	.148	206
C175-H8	1.750	1.340	90	.980	1.500	4.5	12	.024	.148	173
C175-H9	1.750	1.340	90	1.147	1.750	4.5	14	.024	.148	149
C175-H10	1.750	1.340	90	1.317	2.000	4.5	16	.024	.148	132
C200-L1	2.000	1.600	25	.094	.375	3.5	3	.018	.143	89
C200-L2	2.000	1.600	25	.120	.500	3.5	4	.018	.143	66
C200-L3	2.000	1.600	25	.158	.625	3.5	5	.018	.143	54
C200-L4	2.000	1.600	25	.179	.750	3.5	6	.018	.143	44
C200-L5	2.000	1.600	25	.217	.870	3.5	7	.018	.143	38
C200-L6	2.000	1.600	25	.243	1.000	3.5	8	.018	.143	33
C200-L7	2.000	1.600	25	.306	1.250	3.5	10	.018	.143	26
C200-L8	2.000	1.600	25	.365	1.500	3.5	12	.018	.143	22
C200-L9	2.000	1.600	25	.433	1.750	3.5	14	.018	.143	19
C200-L10	2.000	1.600	25	.490	2.000	3.5	16	.018	.143	17
C200-M1	2.000	1.600	50	.140	.375	4.5	3	.018	.143	213
C200-M2	2.000	1.600	50	.184	.500	4.5	4	.018	.143	158
C200-M3	2.000	1.600	50	.245	.625	4.5	5	.018	.143	132
C200-M4	2.000	1.600	50	.278	.750	4.5	6	.018	.143	106
C200-M5	2.000	1.600	50	.345	.870	4.5	7	.018	.143	95
C200-M6	2.000	1.600	50	.395	1.000	4.5	8	.018	.143	83
C200-M7	2.000	1.600	50	.498	1.250	4.5	10	.018	.143	66
C200-M8	2.000	1.600	50	.593	1.500	4.5	12	.018	.143	55
C200-M9	2.000	1.600	50	.694	1.750	4.5	14	.018	.143	47
C200-M10	2.000	1.600	50	.800	2.000	4.5	16	.018	.143	42
C200-H1	2.000	1.600	90	.197	.375	4.5	3	.024	.148	506
C200-H2	2.000	1.600	90	.258	.500	4.5	4	.024	.148	372
C200-H3	2.000	1.600	90	.332	.625	4.5	5	.024	.148	307
C200-H4	2.000	1.600	90	.389	.750	4.5	6	.024	.148	249
C200-H5	2.000	1.600	90	.465	.870	4.5	7	.024	.148	222
C200-H6	2.000	1.600	90	.525	1.000	4.5	8	.024	.148	189
C200-H7	2.000	1.600	90	.661	1.250	4.5	10	.024	.148	153
C200-H8	2.000	1.600	90	.781	1.500	4.5	12	.024	.148	125
C200-H9	2.000	1.600	90	.941	1.750	4.5	14	.024	.148	111
C200-H10	2.000	1.600	90	1.069	2.000	4.5	16	.024	.148	97



Order Options

C037-L1

End options:

Plain ends C
 Squared-shim ends CS

Material option:

Carbon Steel (blank)
 Stainless Steel -S17

¹ Use "C" prefix for plain ends. Use "CS" prefix for squared-shim ends.

² Add suffix "-S17" for 17-7 stainless steel.

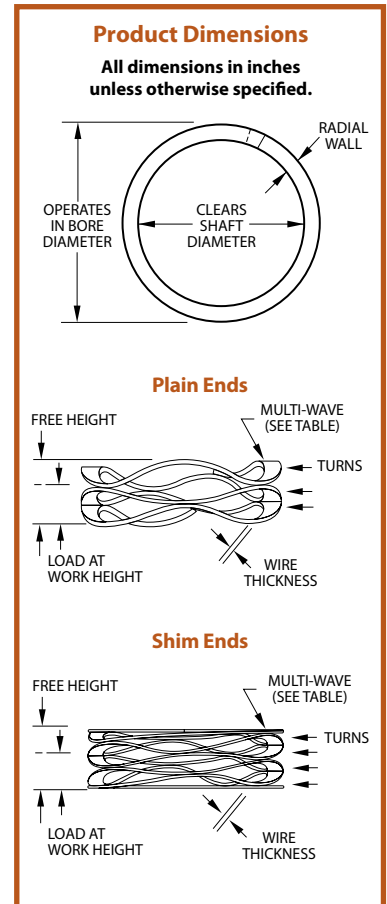
³ Reference dimension.

⁴ Theoretical dimension; measured in lb/in.

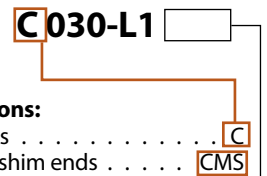
⁵ See pages 132-133 for How to Order.

Stock Items in carbon steel and 17-7 PH stainless steel.

Smalley Part Number ^{1,2,5}	Operates in Bore Diameter	Clears Shaft Diameter	Load (N)	Work Height	Free Height ³	Number of Waves	Number of Turns	Thickness	Radial Wall	Spring Rate ⁴
CM06-L1*	6	4	6	.61	1.52	2.5	3	.13	.51	6.59
CM06-L2*	6	4	6	.81	2.03	2.5	4	.13	.51	4.92
CM06-L3*	6	4	6	1.02	2.54	2.5	5	.13	.51	3.95
CM06-L4*	6	4	6	1.22	3.05	2.5	6	.13	.51	3.28
CM06-L5*	6	4	6	1.42	3.56	2.5	7	.13	.51	2.80
CM06-L6*	6	4	6	1.63	4.06	2.5	8	.13	.51	2.47
CM06-L7*	6	4	6	1.83	4.57	2.5	9	.13	.51	2.19
CM06-L8*	6	4	6	2.24	5.59	2.5	11	.13	.51	1.79
CM06-L9*	6	4	6	2.64	6.60	2.5	13	.13	.51	1.52
CM06-M1*	6	4	12	.74	1.52	2.5	3	.15	.61	15.38
CM06-M2*	6	4	12	.97	2.03	2.5	4	.15	.61	11.32
CM06-M3*	6	4	12	1.22	2.54	2.5	5	.15	.61	9.09
CM06-M4*	6	4	12	1.47	3.05	2.5	6	.15	.61	7.59
CM06-M5*	6	4	12	1.70	3.56	2.5	7	.15	.61	6.45
CM06-M6*	6	4	12	1.96	4.06	2.5	8	.15	.61	5.71
CM06-M7*	6	4	12	2.18	4.57	2.5	9	.15	.61	5.02
CM06-M8*	6	4	12	2.69	5.59	2.5	11	.15	.61	4.14
CM06-M9*	6	4	12	3.18	6.60	2.5	13	.15	.61	3.51
CM08-L1	8	5	15	1.70	2.82	2.5	3	.20	.81	13.39
CM08-L2	8	5	15	2.39	3.76	2.5	4	.20	.81	10.95
CM08-L3	8	5	15	2.74	4.70	2.5	5	.20	.81	7.65
CM08-L4	8	5	15	3.56	5.64	2.5	6	.20	.81	7.21
CM08-L5	8	5	15	4.01	6.58	2.5	7	.20	.81	5.84
CM08-L6	8	5	15	4.57	7.52	2.5	8	.20	.81	5.08
CM08-L7	8	5	15	5.26	8.46	2.5	9	.20	.81	4.69
CM08-L8	8	5	15	6.35	10.34	2.5	11	.20	.81	3.76
CM08-L9	8	5	15	7.37	12.22	2.5	13	.20	.81	3.09
CM08-M1	8	5	30	1.78	2.82	2.5	3	.25	.81	28.85
CM08-M2	8	5	30	2.54	3.76	2.5	4	.25	.81	24.59
CM08-M3	8	5	30	3.05	4.70	2.5	5	.25	.81	18.18
CM08-M4	8	5	30	3.81	5.64	2.5	6	.25	.81	16.39
CM08-M5	8	5	30	4.32	6.58	2.5	7	.25	.81	13.27
CM08-M6	8	5	30	4.95	7.52	2.5	8	.25	.81	11.67
CM08-M7	8	5	30	5.59	8.46	2.5	9	.25	.81	10.45
CM08-M8	8	5	30	6.86	10.34	2.5	11	.25	.81	8.62
CM08-M9	8	5	30	7.87	12.22	2.5	13	.25	.81	6.90
CM10-L1	10	7	18	1.91	3.96	2.5	3	.20	.81	8.78
CM10-L2	10	7	18	2.54	5.28	2.5	4	.20	.81	6.57
CM10-L3	10	7	18	3.15	6.60	2.5	5	.20	.81	5.22
CM10-L4	10	7	18	3.78	7.92	2.5	6	.20	.81	4.35
CM10-L5	10	7	18	4.42	9.25	2.5	7	.20	.81	3.73
CM10-L6	10	7	18	5.05	10.57	2.5	8	.20	.81	3.26
CM10-L7	10	7	18	5.69	11.89	2.5	9	.20	.81	2.90
CM10-L8	10	7	18	6.32	13.21	2.5	10	.20	.81	2.61
CM10-L9	10	7	18	6.96	14.53	2.5	11	.20	.81	2.38
CM10-M1	10	7	35	2.03	3.96	2.5	3	.28	.81	18.13
CM10-M2	10	7	35	2.79	5.28	2.5	4	.28	.81	14.06
CM10-M3	10	7	35	3.56	6.60	2.5	5	.28	.81	11.51
CM10-M4	10	7	35	4.32	7.92	2.5	6	.28	.81	9.72
CM10-M5	10	7	35	5.08	9.25	2.5	7	.28	.81	8.39
CM10-M6	10	7	35	5.84	10.57	2.5	8	.28	.81	7.40
CM10-M7	10	7	35	6.60	11.89	2.5	9	.28	.81	6.62
CM10-M8	10	7	35	7.37	13.21	2.5	10	.28	.81	5.99
CM10-M9	10	7	35	8.13	14.53	2.5	11	.28	.81	5.47
CM12-L1	12	9	20	1.47	4.34	2.5	3	.20	1.02	6.97
CM12-L2	12	9	20	1.98	5.79	2.5	4	.20	1.02	5.25
CM12-L3	12	9	20	2.46	7.24	2.5	5	.20	1.02	4.18
CM12-L4	12	9	20	2.95	8.69	2.5	6	.20	1.02	3.48
CM12-L5	12	9	20	3.45	10.13	2.5	7	.20	1.02	2.99
CM12-L6	12	9	20	3.94	11.58	2.5	8	.20	1.02	2.62
CM12-L7	12	9	20	4.45	13.03	2.5	9	.20	1.02	2.33
CM12-L8	12	9	20	4.93	14.48	2.5	10	.20	1.02	2.09
CM12-L9	12	9	20	5.44	15.93	2.5	11	.20	1.02	1.91



Order Options



Material option:
Carbon Steel (blank)
Stainless Steel -S17

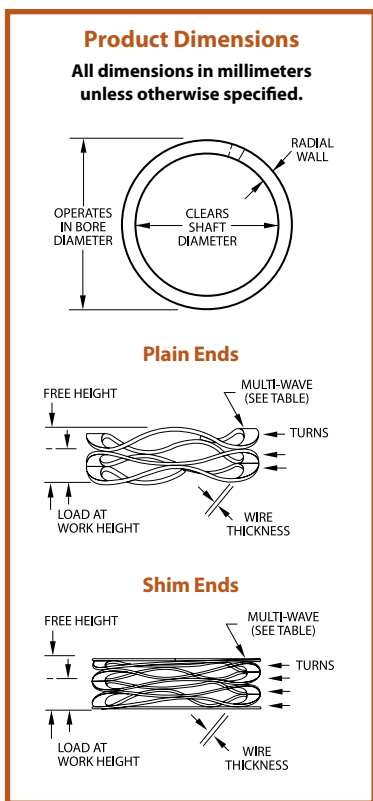
¹ Use "CM" prefix for plain ends. Use "CMS" prefix for squared-shim ends. * Not available with shim ends
² Add suffix "-S17" for 17-7 stainless steel.
³ Reference dimension.
⁴ Theoretical dimension; measured in N/mm.
⁵ See pages 132-133 for How to Order.

CM/CMS Series - Metric Crest-To-Crest® Springs



Stock Items in carbon steel and 17-7 PH stainless steel.

Smalley Part Number ^{1,2,5}	Operates in Bore Diameter	Clears Shaft Diameter	Load (N)	Work Height	Free Height ³	Number of Waves	Number of Turns	Thickness	Radial Wall	Spring Rate ⁴
CM12-M1	12	8.5	40	2.36	4.34	2.5	3	.28	1.17	20.20
CM12-M2	12	8.5	40	3.18	5.79	2.5	4	.28	1.17	15.33
CM12-M3	12	8.5	40	3.96	7.24	2.5	5	.28	1.17	12.20
CM12-M4	12	8.5	40	4.75	8.69	2.5	6	.28	1.17	10.15
CM12-M5	12	8.5	40	5.54	10.13	2.5	7	.28	1.17	8.71
CM12-M6	12	8.5	40	6.32	11.58	2.5	8	.28	1.17	7.60
CM12-M7	12	8.5	40	7.11	13.03	2.5	9	.28	1.17	6.76
CM12-M8	12	8.5	40	7.92	14.48	2.5	10	.28	1.17	6.10
CM12-M9	12	8.5	40	8.71	15.93	2.5	11	.28	1.17	5.54
CM12-H1	12	8.5	60	1.98	4.34	2.5	3	.30	1.14	25.42
CM12-H2	12	8.5	60	2.64	5.79	2.5	4	.30	1.14	19.05
CM12-H3	12	8.5	60	3.30	7.24	2.5	5	.30	1.14	15.23
CM12-H4	12	8.5	60	3.99	8.69	2.5	6	.30	1.14	12.77
CM12-H5	12	8.5	60	4.65	10.13	2.5	7	.30	1.14	10.95
CM12-H6	12	8.5	60	5.31	11.58	2.5	8	.30	1.14	9.57
CM12-H7	12	8.5	60	5.97	13.03	2.5	9	.30	1.14	8.50
CM12-H8	12	8.5	60	6.63	14.48	2.5	10	.30	1.14	7.64
CM12-H9	12	8.5	60	7.29	15.93	2.5	11	.30	1.14	6.94
CM14-L1	14	10	22	2.18	4.95	2.5	3	.23	1.47	7.94
CM14-L2	14	10	22	2.95	6.60	2.5	4	.23	1.47	6.03
CM14-L3	14	10	22	3.71	8.26	2.5	5	.23	1.47	4.84
CM14-L4	14	10	22	4.52	9.91	2.5	6	.23	1.47	4.08
CM14-L5	14	10	22	5.33	11.56	2.5	7	.23	1.47	3.53
CM14-L6	14	10	22	6.17	13.21	2.5	8	.23	1.47	3.13
CM14-L7	14	10	22	7.01	14.86	2.5	9	.23	1.47	2.80
CM14-L8	14	10	22	7.85	16.51	2.5	10	.23	1.47	2.54
CM14-L9	14	10	22	8.71	18.16	2.5	11	.23	1.47	2.33
CM14-M1	14	10	50	2.18	4.95	2.5	3	.30	1.52	18.05
CM14-M2	14	10	50	2.95	6.60	2.5	4	.30	1.52	13.70
CM14-M3	14	10	50	3.71	8.26	2.5	5	.30	1.52	10.99
CM14-M4	14	10	50	4.52	9.91	2.5	6	.30	1.52	9.28
CM14-M5	14	10	50	5.33	11.56	2.5	7	.30	1.52	8.03
CM14-M6	14	10	50	6.17	13.21	2.5	8	.30	1.52	7.10
CM14-M7	14	10	50	7.01	14.86	2.5	9	.30	1.52	6.37
CM14-M8	14	10	50	7.85	16.51	2.5	10	.30	1.52	5.77
CM14-M9	14	10	50	8.71	18.16	2.5	11	.30	1.52	5.29
CM14-H1	14	9	80	3.15	4.95	2.5	3	.38	1.52	44.44
CM14-H2	14	9	80	4.19	6.60	2.5	4	.38	1.52	33.20
CM14-H3	14	9	80	5.26	8.26	2.5	5	.38	1.52	26.67
CM14-H4	14	9	80	6.30	9.91	2.5	6	.38	1.52	22.16
CM14-H5	14	9	80	7.34	11.56	2.5	7	.38	1.52	18.96
CM14-H6	14	9	80	8.41	13.21	2.5	8	.38	1.52	16.67
CM14-H7	14	9	80	9.45	14.86	2.5	9	.38	1.52	14.79
CM14-H8	14	9	80	10.49	16.51	2.5	10	.38	1.52	13.29
CM14-H9	14	9	80	11.56	18.16	2.5	11	.38	1.52	12.12
CM15-L1	15	11	25	2.57	5.18	2.5	3	.25	1.47	9.58
CM15-L2	15	11	25	3.43	6.91	2.5	4	.25	1.47	7.18
CM15-L3	15	11	25	4.27	8.64	2.5	5	.25	1.47	5.72
CM15-L4	15	11	25	5.13	10.36	2.5	6	.25	1.47	4.78
CM15-L5	15	11	25	5.99	12.09	2.5	7	.25	1.47	4.10
CM15-L6	15	11	25	6.83	13.82	2.5	8	.25	1.47	3.58
CM15-L7	15	11	25	7.70	15.54	2.5	9	.25	1.47	3.19
CM15-L8	15	11	25	8.53	17.27	2.5	10	.25	1.47	2.86
CM15-L9	15	11	25	9.40	19.00	2.5	11	.25	1.47	2.60
CM15-M1	15	10	50	3.43	5.18	3.5	3	.23	1.47	28.57
CM15-M2	15	10	50	4.57	6.91	3.5	4	.23	1.47	21.37
CM15-M3	15	10	50	5.72	8.64	3.5	5	.23	1.47	17.12
CM15-M4	15	10	50	6.86	10.36	3.5	6	.23	1.47	14.29
CM15-M5	15	10	50	8.00	12.09	3.5	7	.23	1.47	12.22
CM15-M6	15	10	50	9.14	13.82	3.5	8	.23	1.47	10.68
CM15-M7	15	10	50	10.29	15.54	3.5	9	.23	1.47	9.52
CM15-M8	15	10	50	11.43	17.27	3.5	10	.23	1.47	8.56
CM15-M9	15	10	50	12.57	19.00	3.5	11	.23	1.47	7.78



Order Options

CM 030-L1

End options:

Plain ends CM
Squared-shim ends CMS

Material option:

Carbon Steel (blank)
Stainless Steel -S17

¹ Use "CM" prefix for plain ends. Use "CMS" prefix for squared-shim ends.

² Add suffix "-S17" for 17-7 stainless steel.

³ Reference dimension.

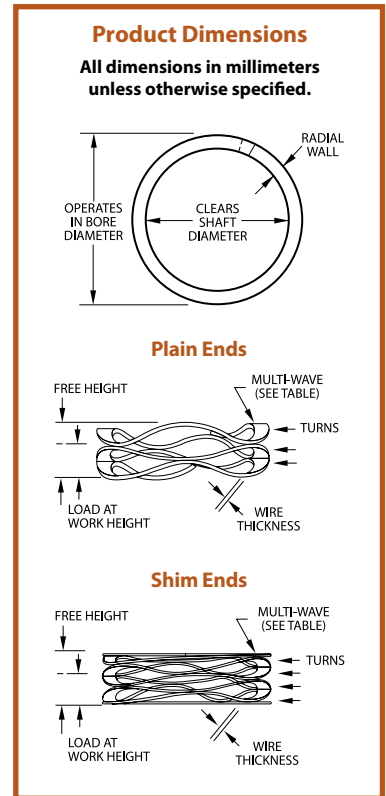
⁴ Theoretical dimension; measured in N/mm.

⁵ See pages 132-133 for How to Order.

Stock Items in carbon steel and 17-7 PH stainless steel.

Smalley Part Number ^{1,2,5}	Operates in Bore Diameter	Clears Shaft Diameter	Load (N)	Work Height	Free Height ³	Number of Waves	Number of Turns	Thickness	Radial Wall	Spring Rate ⁴
CM15-H1	15	10	80	3.20	5.18	3.5	3	.25	1.47	40.40
CM15-H2	15	10	80	4.19	6.91	3.5	4	.25	1.47	29.41
CM15-H3	15	10	80	5.23	8.64	3.5	5	.25	1.47	23.46
CM15-H4	15	10	80	6.27	10.36	3.5	6	.25	1.47	19.56
CM15-H5	15	10	80	7.32	12.09	3.5	7	.25	1.47	16.77
CM15-H6	15	10	80	8.36	13.82	3.5	8	.25	1.47	14.65
CM15-H7	15	10	80	9.40	15.54	3.5	9	.25	1.47	13.03
CM15-H8	15	10	80	10.46	17.27	3.5	10	.25	1.47	11.75
CM15-H9	15	10	80	11.51	19.00	3.5	11	.25	1.47	10.68
CM16-L1	16	11	25	2.11	5.41	2.5	3	.25	1.47	7.58
CM16-L2	16	11	25	2.79	7.21	2.5	4	.25	1.47	5.66
CM16-L3	16	11	25	3.51	9.02	2.5	5	.25	1.47	4.54
CM16-L4	16	11	25	4.19	10.82	2.5	6	.25	1.47	3.77
CM16-L5	16	11	25	4.90	12.62	2.5	7	.25	1.47	3.24
CM16-L6	16	11	25	6.30	16.23	2.5	9	.25	1.47	2.52
CM16-L7	16	11	25	7.70	19.84	2.5	11	.25	1.47	2.06
CM16-L8	16	11	25	9.09	23.44	2.5	13	.25	1.47	1.74
CM16-M1	16	11	55	3.63	5.41	3.5	3	.25	1.47	30.90
CM16-M2	16	11	55	4.83	7.21	3.5	4	.25	1.47	23.11
CM16-M3	16	11	55	6.05	9.02	3.5	5	.25	1.47	18.52
CM16-M4	16	11	55	7.24	10.82	3.5	6	.25	1.47	15.36
CM16-M5	16	11	55	8.46	12.62	3.5	7	.25	1.47	13.22
CM16-M6	16	11	55	10.87	16.23	3.5	9	.25	1.47	10.26
CM16-M7	16	11	55	13.28	19.84	3.5	11	.25	1.47	8.38
CM16-M8	16	11	55	15.70	23.44	3.5	13	.25	1.47	7.11
CM16-H1	16	11	90	3.30	5.41	3.5	3	.30	1.52	42.65
CM16-H2	16	11	90	4.57	7.21	3.5	4	.30	1.52	34.09
CM16-H3	16	11	90	5.59	9.02	3.5	5	.30	1.52	26.24
CM16-H4	16	11	90	6.86	10.82	3.5	6	.30	1.52	22.73
CM16-H5	16	11	90	7.87	12.62	3.5	7	.30	1.52	18.95
CM16-H6	16	11	90	10.16	16.23	3.5	9	.30	1.52	14.83
CM16-H7	16	11	90	12.45	19.84	3.5	11	.30	1.52	12.18
CM16-H8	16	11	90	14.73	23.44	3.5	13	.30	1.52	10.33
CM18-L1	18	13	30	3.63	5.72	3.5	3	.20	1.80	14.35
CM18-L2	18	13	30	4.75	7.62	3.5	4	.20	1.80	10.45
CM18-L3	18	13	30	5.94	9.53	3.5	5	.20	1.80	8.36
CM18-L4	18	13	30	7.14	11.43	3.5	6	.20	1.80	6.99
CM18-L5	18	13	30	8.31	13.34	3.5	7	.20	1.80	5.96
CM18-L6	18	13	30	10.69	17.15	3.5	9	.20	1.80	4.64
CM18-L7	18	13	30	14.25	22.86	3.5	12	.20	1.80	3.48
CM18-M1	18	13	55	3.68	5.72	3.5	3	.25	1.83	26.96
CM18-M2	18	13	55	4.98	7.62	3.5	4	.25	1.83	20.83
CM18-M3	18	13	55	6.22	9.53	3.5	5	.25	1.83	16.62
CM18-M4	18	13	55	7.47	11.43	3.5	6	.25	1.83	13.89
CM18-M5	18	13	55	8.74	13.34	3.5	7	.25	1.83	11.96
CM18-M6	18	13	55	11.23	17.15	3.5	9	.25	1.83	9.29
CM18-M7	18	13	55	14.96	22.86	3.5	12	.25	1.83	6.96
CM18-H1	18	13	90	3.84	5.72	3.5	3	.30	1.83	47.87
CM18-H2	18	13	90	5.13	7.62	3.5	4	.30	1.83	36.14
CM18-H3	18	13	90	6.40	9.53	3.5	5	.30	1.83	28.75
CM18-H4	18	13	90	7.70	11.43	3.5	6	.30	1.83	24.13
CM18-H5	18	13	90	8.97	13.34	3.5	7	.30	1.83	20.59
CM18-H6	18	13	90	11.53	17.15	3.5	9	.30	1.83	16.01
CM18-H7	18	13	90	15.37	22.86	3.5	12	.30	1.83	12.02
CM20-L1	20	15	35	2.72	6.32	3.5	3	.20	1.80	9.72
CM20-L2	20	15	35	3.61	8.43	3.5	4	.20	1.80	7.26
CM20-L3	20	15	35	4.52	10.54	3.5	5	.20	1.80	5.81
CM20-L4	20	15	35	5.41	12.65	3.5	6	.20	1.80	4.83
CM20-L5	20	15	35	6.32	14.76	3.5	7	.20	1.80	4.15
CM20-L6	20	15	35	8.13	18.97	3.5	9	.20	1.80	3.23
CM20-L7	20	15	35	10.82	25.30	3.5	12	.20	1.80	2.42
CM20-M1	20	14	70	3.05	6.32	3.5	3	.25	1.98	21.41
CM20-M2	20	14	70	4.06	8.43	3.5	4	.25	1.98	16.02
CM20-M3	20	14	70	5.08	10.54	3.5	5	.25	1.98	12.82

¹ Use "CM" prefix for plain ends. Use "CMS" prefix for squared-shim ends.
² Add suffix "-S17" for 17-7 stainless steel.
³ Reference dimension.
⁴ Theoretical dimension; measured in N/mm.
⁵ See pages 132-133 for How to Order.



Order Options

CM030-L1

End options:

Plain ends **CM**
 Squared-shim ends **CMS**

Material option:

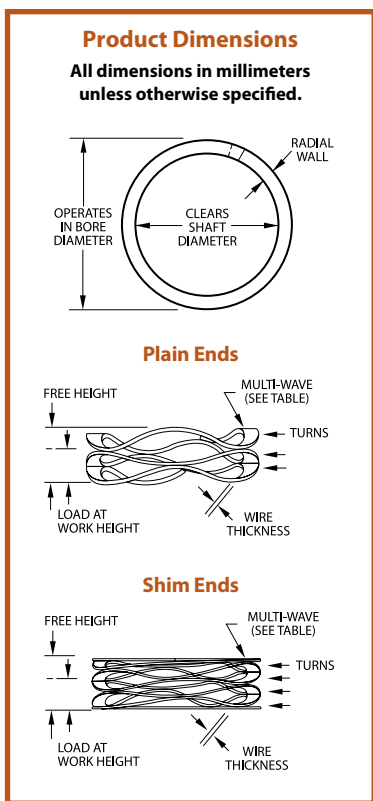
Carbon Steel (blank)
 Stainless Steel **-S17**

CM/CMS Series - Metric Crest-To-Crest® Springs



Stock Items in carbon steel and 17-7 PH stainless steel.

Smalley Part Number ^{1,2,5}	Operates in Bore Diameter	Clears Shaft Diameter	Load (N)	Work Height	Free Height ³	Number of Waves	Number of Turns	Thickness	Radial Wall	Spring Rate ⁴
CM20-M4	20	14	70	6.27	12.65	3.5	6	.25	1.98	10.97
CM20-M5	20	14	70	7.32	14.76	3.5	7	.25	1.98	9.41
CM20-M6	20	14	70	9.17	18.97	3.5	9	.25	1.98	7.14
CM20-M7	20	14	70	12.22	25.30	3.5	12	.25	1.98	5.35
CM20-H1	20	14	100	4.24	6.32	3.5	3	.33	2.01	48.08
CM20-H2	20	14	100	5.66	8.43	3.5	4	.33	2.01	36.10
CM20-H3	20	14	100	7.06	10.54	3.5	5	.33	2.01	28.74
CM20-H4	20	14	100	8.48	12.65	3.5	6	.33	2.01	23.98
CM20-H5	20	14	100	9.91	14.76	3.5	7	.33	2.01	20.62
CM20-H6	20	14	100	12.73	18.97	3.5	9	.33	2.01	16.03
CM20-H7	20	14	100	16.97	25.30	3.5	12	.33	2.01	12.00
CM25-L1	25	19	50	2.06	6.63	3.5	3	.25	2.18	10.94
CM25-L2	25	19	50	2.74	8.84	3.5	4	.25	2.18	8.20
CM25-L3	25	19	50	3.43	11.05	3.5	5	.25	2.18	6.56
CM25-L4	25	19	50	4.11	13.26	3.5	6	.25	2.18	5.46
CM25-L5	25	19	50	4.80	15.47	3.5	7	.25	2.18	4.69
CM25-L6	25	19	50	6.20	19.89	3.5	9	.25	2.18	3.65
CM25-L7	25	19	50	8.26	26.52	3.5	12	.25	2.18	2.74
CM25-M1	25	19	80	2.95	6.63	3.5	3	.30	2.39	21.74
CM25-M2	25	19	80	3.94	8.84	3.5	4	.30	2.39	16.33
CM25-M3	25	19	80	4.90	11.05	3.5	5	.30	2.39	13.01
CM25-M4	25	19	80	5.89	13.26	3.5	6	.30	2.39	10.85
CM25-M5	25	19	80	6.88	15.47	3.5	7	.30	2.39	9.31
CM25-M6	25	19	80	8.84	19.89	3.5	9	.30	2.39	7.24
CM25-M7	25	19	80	11.79	26.52	3.5	12	.30	2.39	5.43
CM25-H1	25	19	110	4.04	6.63	3.5	3	.38	2.39	42.47
CM25-H2	25	19	110	5.38	8.84	3.5	4	.38	2.39	31.79
CM25-H3	25	19	110	6.73	11.05	3.5	5	.38	2.39	25.46
CM25-H4	25	19	110	8.08	13.26	3.5	6	.38	2.39	21.24
CM25-H5	25	19	110	9.40	15.47	3.5	7	.38	2.39	18.12
CM25-H6	25	19	110	12.12	19.89	3.5	9	.38	2.39	14.16
CM25-H7	25	19	110	16.15	26.52	3.5	12	.38	2.39	10.61
CM28-L1	28	22	50	3.76	7.24	3.5	3	.30	2.39	14.37
CM28-L2	28	22	50	5.00	9.65	3.5	4	.30	2.39	10.75
CM28-L3	28	22	50	6.27	12.07	3.5	5	.30	2.39	8.62
CM28-L4	28	22	50	7.52	14.48	3.5	6	.30	2.39	7.18
CM28-L5	28	22	50	8.79	16.89	3.5	7	.30	2.39	6.17
CM28-L6	28	22	50	10.03	19.30	3.5	8	.30	2.39	5.39
CM28-L7	28	22	50	11.28	21.72	3.5	9	.30	2.39	4.79
CM28-L8	28	22	50	13.79	26.54	3.5	11	.30	2.39	3.92
CM28-L9	28	22	50	16.31	31.37	3.5	13	.30	2.39	3.32
CM28-M1	28	22	80	4.39	7.24	3.5	3	.38	2.39	28.07
CM28-M2	28	22	80	5.84	9.65	3.5	4	.38	2.39	21.00
CM28-M3	28	22	80	7.32	12.07	3.5	5	.38	2.39	16.84
CM28-M4	28	22	80	8.79	14.48	3.5	6	.38	2.39	14.06
CM28-M5	28	22	80	10.24	16.89	3.5	7	.38	2.39	12.03
CM28-M6	28	22	80	11.71	19.30	3.5	8	.38	2.39	10.54
CM28-M7	28	22	80	13.18	21.72	3.5	9	.38	2.39	9.37
CM28-M8	28	22	80	16.10	26.54	3.5	11	.38	2.39	7.66
CM28-M9	28	22	80	19.02	31.37	3.5	13	.38	2.39	6.48
CM28-H1	28	22	130	4.57	7.24	3.5	3	.46	2.39	48.69
CM28-H2	28	22	130	6.07	9.65	3.5	4	.46	2.39	36.31
CM28-H3	28	22	130	7.59	12.07	3.5	5	.46	2.39	29.02
CM28-H4	28	22	130	9.12	14.48	3.5	6	.46	2.39	24.25
CM28-H5	28	22	130	10.64	16.89	3.5	7	.46	2.39	20.80
CM28-H6	28	22	130	12.17	19.30	3.5	8	.46	2.39	18.23
CM28-H7	28	22	130	13.69	21.72	3.5	9	.46	2.39	16.19
CM28-H8	28	22	130	16.71	26.54	3.5	11	.46	2.39	13.22
CM28-H9	28	22	130	19.76	31.37	3.5	13	.46	2.39	11.20
CM30-L1	30	24	50	3.18	7.62	3.5	3	.30	2.39	11.26
CM30-L2	30	24	50	4.22	10.16	3.5	4	.30	2.39	8.42
CM30-L3	30	24	50	5.28	12.70	3.5	5	.30	2.39	6.74
CM30-L4	30	24	50	6.32	15.24	3.5	6	.30	2.39	5.61
CM30-L5	30	24	50	7.39	17.78	3.5	7	.30	2.39	4.81



Order Options

CM 030-L1

End options:

Plain ends CM
Squared-shim ends CMS

Material option:

Carbon Steel (blank)
Stainless Steel -S17

¹ Use "CM" prefix for plain ends. Use "CMS" prefix for squared-shim ends.

² Add suffix "-S17" for 17-7 stainless steel.

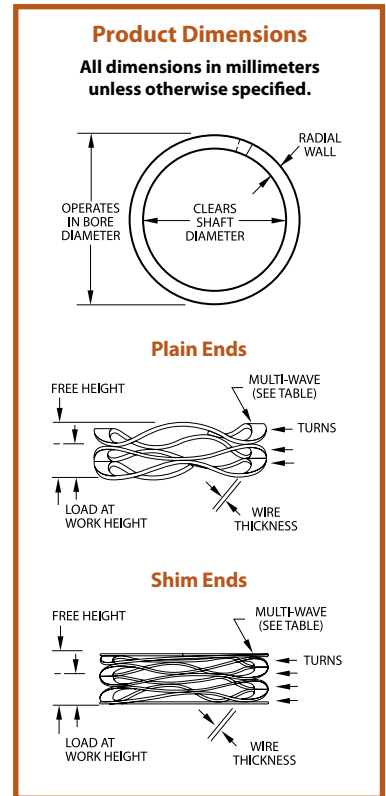
³ Reference dimension.

⁴ Theoretical dimension; measured in N/mm.

⁵ See pages 132-133 for How to Order.

Stock Items in carbon steel and 17-7 PH stainless steel.

Smalley Part Number ^{1,2,5}	Operates in Bore Diameter	Clears Shaft Diameter	Load (N)	Work Height	Free Height ³	Number of Waves	Number of Turns	Thickness	Radial Wall	Spring Rate ⁴
CM30-L6	30	24	50	8.43	20.32	3.5	8	.30	2.39	4.21
CM30-L7	30	24	50	9.50	22.86	3.5	9	.30	2.39	3.74
CM30-L8	30	24	50	11.61	27.94	3.5	11	.30	2.39	3.06
CM30-L9	30	24	50	13.72	33.02	3.5	13	.30	2.39	2.59
CM30-M1	30	24	90	3.51	7.62	3.5	3	.38	2.39	21.90
CM30-M2	30	24	90	4.70	10.16	3.5	4	.38	2.39	16.48
CM30-M3	30	24	90	5.87	12.70	3.5	5	.38	2.39	13.18
CM30-M4	30	24	90	7.04	15.24	3.5	6	.38	2.39	10.98
CM30-M5	30	24	90	8.20	17.78	3.5	7	.38	2.39	9.39
CM30-M6	30	24	90	9.37	20.32	3.5	8	.38	2.39	8.22
CM30-M7	30	24	90	10.54	22.86	3.5	9	.38	2.39	7.31
CM30-M8	30	24	90	12.90	27.94	3.5	11	.38	2.39	5.98
CM30-M9	30	24	90	15.24	33.02	3.5	13	.38	2.39	5.06
CM30-H1	30	24	130	4.19	7.62	3.5	3	.46	2.39	37.90
CM30-H2	30	24	130	5.59	10.16	3.5	4	.46	2.39	28.45
CM30-H3	30	24	130	6.99	12.70	3.5	5	.46	2.39	22.77
CM30-H4	30	24	130	8.38	15.24	3.5	6	.46	2.39	18.95
CM30-H5	30	24	130	9.78	17.78	3.5	7	.46	2.39	16.25
CM30-H6	30	24	130	11.18	20.32	3.5	8	.46	2.39	14.22
CM30-H7	30	24	130	12.57	22.86	3.5	9	.46	2.39	12.63
CM30-H8	30	24	130	15.37	27.94	3.5	11	.46	2.39	10.34
CM30-H9	30	24	130	18.16	33.02	3.5	13	.46	2.39	8.75
CM35-L1	35	27	70	3.94	8.38	3.5	3	.36	3.18	15.77
CM35-L2	35	27	70	5.23	11.18	3.5	4	.36	3.18	11.76
CM35-L3	35	27	70	6.55	13.97	3.5	5	.36	3.18	9.43
CM35-L4	35	27	70	7.87	16.76	3.5	6	.36	3.18	7.87
CM35-L5	35	27	70	9.17	19.56	3.5	7	.36	3.18	6.74
CM35-L6	35	27	70	10.49	22.35	3.5	8	.36	3.18	5.90
CM35-L7	35	27	70	11.81	25.15	3.5	9	.36	3.18	5.25
CM35-L8	35	27	70	14.43	30.73	3.5	11	.36	3.18	4.29
CM35-L9	35	27	70	17.04	36.32	3.5	13	.36	3.18	3.63
CM35-M1	35	27	110	4.14	8.38	3.5	3	.41	3.38	25.94
CM35-M2	35	27	110	5.51	11.18	3.5	4	.41	3.38	19.40
CM35-M3	35	27	110	6.88	13.97	3.5	5	.41	3.38	15.51
CM35-M4	35	27	110	8.26	16.76	3.5	6	.41	3.38	12.94
CM35-M5	35	27	110	9.63	19.56	3.5	7	.41	3.38	11.08
CM35-M6	35	27	110	11.02	22.35	3.5	8	.41	3.38	9.71
CM35-M7	35	27	110	12.40	25.15	3.5	9	.41	3.38	8.63
CM35-M8	35	27	110	15.14	30.73	3.5	11	.41	3.38	7.06
CM35-M9	35	27	110	17.91	36.32	3.5	13	.41	3.38	5.98
CM35-H1	35	27	160	4.04	8.38	3.5	3	.46	3.38	36.87
CM35-H2	35	27	160	5.38	11.18	3.5	4	.46	3.38	27.59
CM35-H3	35	27	160	6.73	13.97	3.5	5	.46	3.38	22.10
CM35-H4	35	27	160	8.08	16.76	3.5	6	.46	3.38	18.43
CM35-H5	35	27	160	9.42	19.56	3.5	7	.46	3.38	15.78
CM35-H6	35	27	160	10.77	22.35	3.5	8	.46	3.38	13.82
CM35-H7	35	27	160	12.12	25.15	3.5	9	.46	3.38	12.28
CM35-H8	35	27	160	14.81	30.73	3.5	11	.46	3.38	10.05
CM35-H9	35	27	160	17.50	36.32	3.5	13	.46	3.38	8.50
CM40-L1	40	30	100	2.90	9.14	3.5	3	.41	3.38	16.03
CM40-L2	40	30	100	3.86	12.19	3.5	4	.41	3.38	12.00
CM40-L3	40	30	100	4.80	15.24	3.5	5	.41	3.38	9.58
CM40-L4	40	30	100	5.77	18.29	3.5	6	.41	3.38	7.99
CM40-L5	40	30	100	6.73	21.34	3.5	7	.41	3.38	6.84
CM40-L6	40	30	100	7.70	24.38	3.5	8	.41	3.38	6.00
CM40-L7	40	30	100	8.66	27.43	3.5	9	.41	3.38	5.33
CM40-L8	40	30	100	10.59	33.53	3.5	11	.41	3.38	4.36
CM40-L9	40	30	100	12.52	39.62	3.5	13	.41	3.38	3.69
CM40-M1	40	30	150	5.44	9.14	3.5	3	.53	3.63	40.54
CM40-M2	40	30	150	7.24	12.19	3.5	4	.53	3.63	30.30
CM40-M3	40	30	150	9.04	15.24	3.5	5	.53	3.63	24.19
CM40-M4	40	30	150	10.85	18.29	3.5	6	.53	3.63	20.16
CM40-M5	40	30	150	12.65	21.34	3.5	7	.53	3.63	17.26



Order Options

CM030-L1

End options:

Plain ends CM
Squared-shim ends CMS

Material option:

Carbon Steel (blank)
Stainless Steel -S17

¹ Use "CM" prefix for plain ends. Use "CMS" prefix for squared-shim ends.

² Add suffix "-S17" for 17-7 stainless steel.

³ Reference dimension.

⁴ Theoretical dimension; measured in N/mm.

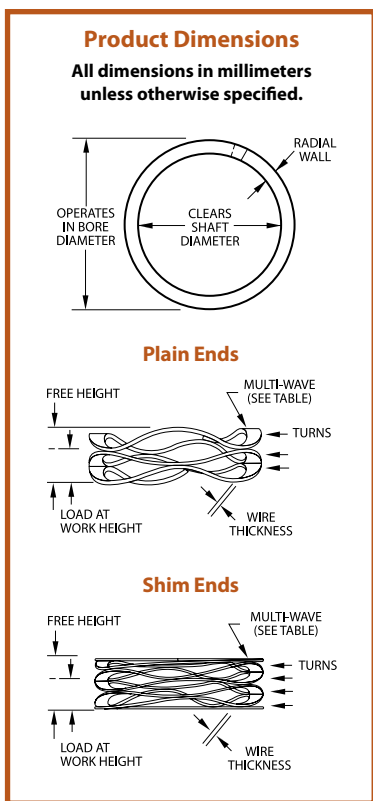
⁵ See pages 132-133 for How to Order.

CM/CMS Series - Metric Crest-To-Crest® Springs



Stock Items in carbon steel and 17-7 PH stainless steel.

Smalley Part Number ^{1,2,5}	Operates in Bore Diameter	Clears Shaft Diameter	Load (N)	Work Height	Free Height ³	Number of Waves	Number of Turns	Thickness	Radial Wall	Spring Rate ⁴
CM40-M6	40	30	150	14.48	24.38	3.5	8	.53	3.63	15.15
CM40-M7	40	30	150	16.28	27.43	3.5	9	.53	3.63	13.45
CM40-M8	40	30	150	19.89	33.53	3.5	11	.53	3.63	11.00
CM40-M9	40	30	150	23.50	39.62	3.5	13	.53	3.63	9.31
CM40-H1	40	30	300	5.66	9.14	4.5	3	.46	3.38	86.21
CM40-H2	40	30	300	7.54	12.19	4.5	4	.46	3.38	64.52
CM40-H3	40	30	300	9.42	15.24	4.5	5	.46	3.38	51.55
CM40-H4	40	30	300	11.33	18.29	4.5	6	.46	3.38	43.10
CM40-H5	40	30	300	13.21	21.34	4.5	7	.46	3.38	36.90
CM40-H6	40	30	300	15.09	24.38	4.5	8	.46	3.38	32.29
CM40-H7	40	30	300	16.97	27.43	4.5	9	.46	3.38	28.68
CM40-H8	40	30	300	20.75	33.53	4.5	11	.46	3.38	23.47
CM40-H9	40	30	300	24.54	39.62	4.5	13	.46	3.38	19.89
CM45-L1	45	35	110	3.38	9.91	3.5	3	.46	3.63	16.85
CM45-L2	45	35	110	4.52	13.21	3.5	4	.46	3.63	12.66
CM45-L3	45	35	110	5.64	16.51	3.5	5	.46	3.63	10.12
CM45-L4	45	35	110	6.76	19.81	3.5	6	.46	3.63	8.43
CM45-L5	45	35	110	7.90	23.11	3.5	7	.46	3.63	7.23
CM45-L6	45	35	110	9.02	26.42	3.5	8	.46	3.63	6.32
CM45-L7	45	35	110	10.16	29.72	3.5	9	.46	3.63	5.62
CM45-L8	45	35	110	12.40	36.32	3.5	11	.46	3.63	4.60
CM45-L9	45	35	110	14.66	42.93	3.5	13	.46	3.63	3.89
CM45-M1	45	35	225	5.33	9.91	4.5	3	.46	3.63	49.13
CM45-M2	45	35	225	6.99	13.21	4.5	4	.46	3.63	36.17
CM45-M3	45	35	225	9.14	16.51	4.5	5	.46	3.63	30.53
CM45-M4	45	35	225	10.80	19.81	4.5	6	.46	3.63	24.97
CM45-M5	45	35	225	12.70	23.11	4.5	7	.46	3.63	21.61
CM45-M6	45	35	225	14.48	26.42	4.5	8	.46	3.63	18.84
CM45-M7	45	35	225	16.26	29.72	4.5	9	.46	3.63	16.72
CM45-M8	45	35	225	19.81	36.32	4.5	11	.46	3.63	13.63
CM45-M9	45	35	225	23.37	42.93	4.5	13	.46	3.63	11.50
CM45-H1	45	35	400	6.43	9.91	4.5	3	.61	3.76	114.94
CM45-H2	45	35	400	8.38	13.21	4.5	4	.61	3.76	82.82
CM45-H3	45	35	400	11.20	16.51	4.5	5	.61	3.76	75.33
CM45-H4	45	35	400	12.95	19.81	4.5	6	.61	3.76	58.31
CM45-H5	45	35	400	15.37	23.11	4.5	7	.61	3.76	51.68
CM45-H6	45	35	400	17.27	26.42	4.5	8	.61	3.76	43.72
CM45-H7	45	35	400	19.68	29.72	4.5	9	.61	3.76	39.88
CM45-H8	45	35	400	24.26	36.32	4.5	11	.61	3.76	33.17
CM45-H9	45	35	400	28.45	42.93	4.5	13	.61	3.76	27.62
CM50-L1	50	40	110	4.83	10.29	3.5	3	.53	3.63	20.15
CM50-L2	50	40	110	6.10	13.72	3.5	4	.53	3.63	14.44
CM50-L3	50	40	110	7.87	17.15	3.5	5	.53	3.63	11.85
CM50-L4	50	40	110	9.40	20.57	3.5	6	.53	3.63	9.85
CM50-L5	50	40	110	11.30	24.00	3.5	7	.53	3.63	8.66
CM50-L6	50	40	110	12.70	27.43	3.5	8	.53	3.63	7.47
CM50-L7	50	40	110	14.99	30.86	3.5	9	.53	3.63	6.93
CM50-L8	50	40	110	18.16	37.72	3.5	11	.53	3.63	5.62
CM50-L9	50	40	110	21.34	44.58	3.5	13	.53	3.63	4.73
CM50-L10	50	40	110	24.64	51.44	3.5	15	.53	3.63	4.10
CM50-M1	50	40	225	4.62	10.29	4.5	3	.46	3.63	39.68
CM50-M2	50	40	225	5.84	13.72	4.5	4	.46	3.63	30.53
CM50-M3	50	40	225	7.49	17.15	4.5	5	.46	3.63	23.29
CM50-M4	50	40	225	8.89	20.57	4.5	6	.46	3.63	19.26
CM50-M5	50	40	225	10.54	24.00	4.5	7	.46	3.63	16.72
CM50-M6	50	40	225	11.89	27.43	4.5	8	.46	3.63	14.48
CM50-M7	50	40	225	13.59	30.86	4.5	9	.46	3.63	13.03
CM50-M8	50	40	225	16.71	37.72	4.5	11	.46	3.63	10.71
CM50-M9	50	40	225	19.61	44.58	4.5	13	.46	3.63	9.01
CM50-M10	50	40	225	22.48	51.44	4.5	15	.46	3.63	7.77
CM50-H1	50	40	400	5.92	10.29	4.5	3	.61	3.76	91.53
CM50-H2	50	40	400	7.80	13.72	4.5	4	.61	3.76	67.57
CM50-H3	50	40	400	10.16	17.15	4.5	5	.61	3.76	57.22
CM50-H4	50	40	400	11.79	20.57	4.5	6	.61	3.76	45.56
CM50-H5	50	40	400	14.15	24.00	4.5	7	.61	3.76	40.61
CM50-H6	50	40	400	15.62	27.43	4.5	8	.61	3.76	33.87



Order Options

CM 030-L1

End options:

Plain ends CM
Squared-shim ends CMS

Material option:

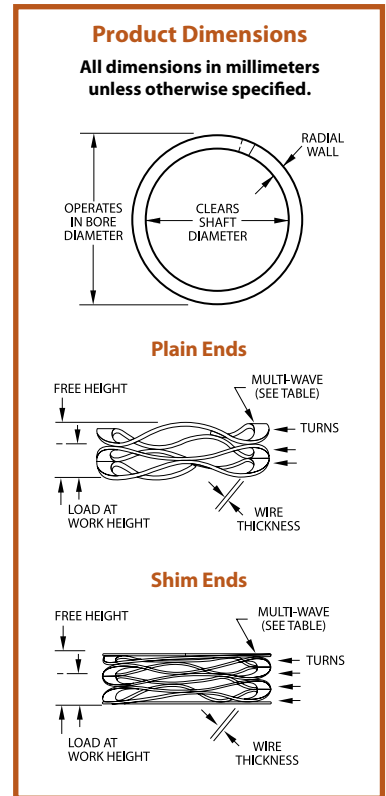
Carbon Steel (blank)
Stainless Steel -S17

¹ Use "CM" prefix for plain ends. Use "CMS" prefix for squared-shim ends.
² Add suffix "-S17" for 17-7 stainless steel.
³ Reference dimension.

⁴ Theoretical dimension; measured in N/mm.
⁵ See pages 132-133 for How to Order.

Stock Items in carbon steel and 17-7 PH stainless steel.

Smalley Part Number ^{1,2,5}	Operates in Bore Diameter	Clears Shaft Diameter	Load (N)	Work Height	Free Height ³	Number of Waves	Number of Turns	Thickness	Radial Wall	Spring Rate ⁴
CM50-H7	50	40	400	17.91	30.86	4.5	9	.61	3.76	30.89
CM50-H8	50	40	400	21.54	37.72	4.5	11	.61	3.76	24.72
CM50-H9	50	40	400	25.65	44.58	4.5	13	.61	3.76	21.13
CM50-H10	50	40	400	29.21	51.44	4.5	15	.61	3.76	17.99
CM55-L1	55	45	125	5.59	11.05	3.5	3	.61	3.76	22.89
CM55-L2	55	45	125	7.72	14.73	3.5	4	.61	3.76	17.83
CM55-L3	55	45	125	9.68	18.41	3.5	5	.61	3.76	14.30
CM55-L4	55	45	125	11.48	22.10	3.5	6	.61	3.76	11.77
CM55-L5	55	45	125	13.92	25.78	3.5	7	.61	3.76	10.54
CM55-L6	55	45	125	15.52	29.46	3.5	8	.61	3.76	8.97
CM55-L7	55	45	125	18.41	33.15	3.5	9	.61	3.76	8.49
CM55-L8	55	45	125	21.67	40.51	3.5	11	.61	3.76	6.63
CM55-L9	55	45	125	25.65	47.88	3.5	13	.61	3.76	5.62
CM55-L10	55	45	125	29.77	55.25	3.5	15	.61	3.76	4.91
CM55-M1	55	45	250	3.10	11.05	4.5	3	.46	3.63	31.45
CM55-M2	55	45	250	4.11	14.73	4.5	4	.46	3.63	23.54
CM55-M3	55	45	250	5.16	18.41	4.5	5	.46	3.63	18.85
CM55-M4	55	45	250	6.20	22.10	4.5	6	.46	3.63	15.72
CM55-M5	55	45	250	7.21	25.78	4.5	7	.46	3.63	13.46
CM55-M6	55	45	250	8.26	29.46	4.5	8	.46	3.63	11.79
CM55-M7	55	45	250	9.27	33.15	4.5	9	.46	3.63	10.47
CM55-M8	55	45	250	11.33	40.51	4.5	11	.46	3.63	8.57
CM55-M9	55	45	250	13.41	47.88	4.5	13	.46	3.63	7.25
CM55-M10	55	45	250	15.47	55.25	4.5	15	.46	3.63	6.28
CM55-H1	55	45	400	5.31	11.05	4.5	3	.61	3.76	69.69
CM55-H2	55	45	400	7.24	14.73	4.5	4	.61	3.76	53.40
CM55-H3	55	45	400	9.09	18.41	4.5	5	.61	3.76	42.87
CM55-H4	55	45	400	10.64	22.10	4.5	6	.61	3.76	34.90
CM55-H5	55	45	400	12.24	25.78	4.5	7	.61	3.76	29.54
CM55-H6	55	45	400	14.10	29.46	4.5	8	.61	3.76	26.04
CM55-H7	55	45	400	15.82	33.15	4.5	9	.61	3.76	23.08
CM55-H8	55	45	400	19.30	40.51	4.5	11	.61	3.76	18.86
CM55-H9	55	45	400	23.11	47.88	4.5	13	.61	3.76	16.15
CM55-H10	55	45	400	26.54	55.25	4.5	15	.61	3.76	13.93
CM60-L1	60	50	135	5.59	11.43	4.5	3	.46	3.63	23.12
CM60-L2	60	50	135	7.47	15.24	4.5	4	.46	3.63	17.37
CM60-L3	60	50	135	9.32	19.05	4.5	5	.46	3.63	13.87
CM60-L4	60	50	135	11.20	22.86	4.5	6	.46	3.63	11.58
CM60-L5	60	50	135	13.06	26.67	4.5	7	.46	3.63	9.92
CM60-L6	60	50	135	14.94	30.48	4.5	8	.46	3.63	8.69
CM60-L7	60	50	135	16.79	34.29	4.5	9	.46	3.63	7.71
CM60-L8	60	50	135	20.52	41.91	4.5	11	.46	3.63	6.31
CM60-L9	60	50	135	24.26	49.53	4.5	13	.46	3.63	5.34
CM60-L10	60	50	135	27.99	57.15	4.5	15	.46	3.63	4.63
CM60-M1	60	50	275	6.65	11.43	4.5	3	.61	3.76	57.53
CM60-M2	60	50	275	8.86	15.24	4.5	4	.61	3.76	43.10
CM60-M3	60	50	275	11.07	19.05	4.5	5	.61	3.76	34.46
CM60-M4	60	50	275	13.28	22.86	4.5	6	.61	3.76	28.71
CM60-M5	60	50	275	15.49	26.67	4.5	7	.61	3.76	24.60
CM60-M6	60	50	275	17.70	30.48	4.5	8	.61	3.76	21.52
CM60-M7	60	50	275	19.94	34.29	4.5	9	.61	3.76	19.16
CM60-M8	60	50	275	24.36	41.91	4.5	11	.61	3.76	15.67
CM60-M9	60	50	275	28.78	49.53	4.5	13	.61	3.76	13.25
CM60-M10	60	50	275	33.22	57.15	4.5	15	.61	3.76	11.49
CM60-H1	60	50	450	7.75	11.43	4.5	3	.76	4.01	122.28
CM60-H2	60	50	450	10.31	15.24	4.5	4	.76	4.01	91.28
CM60-H3	60	50	450	12.90	19.05	4.5	5	.76	4.01	73.17
CM60-H4	60	50	450	15.47	22.86	4.5	6	.76	4.01	60.89
CM60-H5	60	50	450	18.06	26.67	4.5	7	.76	4.01	52.26
CM60-H6	60	50	450	20.62	30.48	4.5	8	.76	4.01	45.64
CM60-H7	60	50	450	23.22	34.29	4.5	9	.76	4.01	40.65
CM60-H8	60	50	450	28.37	41.91	4.5	11	.76	4.01	33.23
CM60-H9	60	50	450	33.53	49.53	4.5	13	.76	4.01	28.13
CM60-H10	60	50	450	38.68	57.15	4.5	15	.76	4.01	24.36



Order Options

CM030-L1

End options:

Plain ends **CM**
Squared-shim ends **CMS**

Material option:

Carbon Steel **(blank)**
Stainless Steel **-S17**

¹ Use "CM" prefix for plain ends. Use "CMS" prefix for squared-shim ends.

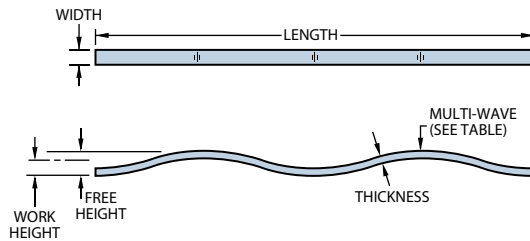
² Add suffix "-S17" for 17-7 stainless steel.

³ Reference dimension.

⁴ Theoretical dimension; measured in N/mm.

⁵ See pages 132-133 for How to Order.

LS Series - Linear Springs



Smalley Linear Springs

Smalley Linear Springs are a continuous wave formed (marcelled) wire length produced from spring tempered materials. They act as a load bearing device having approximately the same load/deflection characteristics as a wave spring. Axial pressure is obtained by laying the expander flat in a straight line.

Product Dimensions All dimensions in inches unless otherwise specified.

Smalley Part Number ¹	Number of Waves	Thickness	Width	Length	Free Height ²	Load (lb)	Work Height	Spring Rate ³
LS12188-1	1	0.012	0.188	1.500	0.225	1.5	0.125	11
LS12188-2	2	0.012	0.188	3.000	0.225	5.6	0.125	91
LS12188-3	3	0.012	0.188	4.500	0.225	10.4	0.125	136
LS12188-4	4	0.012	0.188	6.000	0.225	14.8	0.125	182
LS12250-1	1	0.012	0.250	1.500	0.225	2.2	0.125	15
LS12250-2	2	0.012	0.250	3.000	0.225	7.8	0.125	121
LS12250-3	3	0.012	0.250	4.500	0.225	13.9	0.125	181
LS12250-4	4	0.012	0.250	6.000	0.225	19.8	0.125	242
LS12312-1	1	0.012	0.312	1.500	0.225	2.9	0.125	19
LS12312-2	2	0.012	0.312	3.000	0.225	10.2	0.125	151
LS12312-3	3	0.012	0.312	4.500	0.225	17.6	0.125	226
LS12312-4	4	0.012	0.312	6.000	0.225	26.0	0.125	302
LS12375-1	1	0.012	0.375	1.500	0.225	3.5	0.125	23
LS12375-2	2	0.012	0.375	3.000	0.225	11.3	0.125	181
LS12375-3	3	0.012	0.375	4.500	0.225	20.1	0.125	272
LS12375-4	4	0.012	0.375	6.000	0.225	25.2	0.125	362
LS20188-1	1	0.020	0.188	1.875	0.250	3.0	0.150	27
LS20188-2	2	0.020	0.188	3.750	0.250	11.4	0.150	215
LS20188-3	3	0.020	0.188	5.625	0.250	23.5	0.150	323
LS20188-4	4	0.020	0.188	7.500	0.250	32.5	0.150	431
LS20250-1	1	0.020	0.250	1.875	0.250	5.6	0.150	36
LS20250-2	2	0.020	0.250	3.750	0.250	17.6	0.150	286
LS20250-3	3	0.020	0.250	5.625	0.250	31.7	0.150	430
LS20250-4	4	0.020	0.250	7.500	0.250	44.9	0.150	573
LS20312-1	1	0.020	0.312	1.875	0.250	6.0	0.150	45
LS20312-2	2	0.020	0.312	3.750	0.250	20.5	0.150	357
LS20312-3	3	0.020	0.312	5.625	0.250	34.9	0.150	536
LS20312-4	4	0.020	0.312	7.500	0.250	50.8	0.150	715
LS20375-1	1	0.020	0.375	1.875	0.250	6.4	0.150	54
LS20375-2	2	0.020	0.375	3.750	0.250	23.3	0.150	430
LS20375-3	3	0.020	0.375	5.625	0.250	52.0	0.150	644
LS20375-4	4	0.020	0.375	7.500	0.250	74.5	0.150	859
LS25188-1	1	0.025	0.188	2.250	0.275	3.5	0.175	30
LS25188-2	2	0.025	0.188	4.500	0.275	15.4	0.175	243
LS25188-3	3	0.025	0.188	6.750	0.275	27.9	0.175	365
LS25188-4	4	0.025	0.188	9.000	0.275	42.5	0.175	487
LS25250-1	1	0.025	0.250	2.250	0.275	6.5	0.175	40
LS25250-2	2	0.025	0.250	4.500	0.275	21.7	0.175	324
LS25250-3	3	0.025	0.250	6.750	0.275	34.7	0.175	486
LS25250-4	4	0.025	0.250	9.000	0.275	50.5	0.175	647
LS25312-1	1	0.025	0.312	2.250	0.275	6.6	0.175	51
LS25312-2	2	0.025	0.312	4.500	0.275	24.0	0.175	404
LS25312-3	3	0.025	0.312	6.750	0.275	43.2	0.175	606
LS25312-4	4	0.025	0.312	9.000	0.275	62.0	0.175	808
LS25375-1	1	0.025	0.375	2.250	0.275	7.7	0.175	61
LS25375-2	2	0.025	0.375	4.500	0.275	29.4	0.175	486
LS25375-3	3	0.025	0.375	6.750	0.275	53.8	0.175	728
LS25375-4	4	0.025	0.375	9.000	0.275	76.9	0.175	971

¹ Add suffix "-S17" for 17-7 stainless steel.

² Reference dimension.

³ Theoretical dimension; measured in lb/in.



Product Dimensions All dimensions in inches unless otherwise specified.

Smalley Part Number ¹	Number of Waves	Thickness	Width	Length	Free Height ²	Load (lb)	Work Height	Spring Rate ³
LS38188-1	1	0.038	0.188	2.625	0.300	7.5	0.200	67
LS38188-2	2	0.038	0.188	5.250	0.300	25.0	0.200	538
LS38188-3	3	0.038	0.188	7.875	0.300	61.0	0.200	808
LS38188-4	4	0.038	0.188	10.500	0.300	90.0	0.200	1077
LS38250-1	1	0.038	0.250	2.625	0.300	11.9	0.200	89
LS38250-2	2	0.038	0.250	5.250	0.300	45.7	0.200	716
LS38250-3	3	0.038	0.250	7.875	0.300	74.3	0.200	1074
LS38250-4	4	0.038	0.250	10.500	0.300	111.5	0.200	1432
LS38312-1	1	0.038	0.312	2.625	0.300	9.9	0.200	112
LS38312-2	2	0.038	0.312	5.250	0.300	49.3	0.200	893
LS38312-3	3	0.038	0.312	7.875	0.300	88.0	0.200	1340
LS38312-4	4	0.038	0.312	10.500	0.300	160.7	0.200	1787
LS38375-1	1	0.038	0.375	2.625	0.300	16.9	0.200	134
LS38375-2	2	0.038	0.375	5.250	0.300	61.7	0.200	1074
LS38375-3	3	0.038	0.375	7.875	0.300	105.0	0.200	1611
LS38375-4	4	0.038	0.375	10.500	0.300	153.0	0.200	2148
LS45188-1	1	0.045	0.188	3.000	0.325	9.0	0.225	75
LS45188-2	2	0.045	0.188	6.000	0.325	36.0	0.225	599
LS45188-3	3	0.045	0.188	9.000	0.325	65.0	0.225	898
LS45188-4	4	0.045	0.188	12.000	0.325	89.0	0.225	1198
LS45250-1	1	0.045	0.250	3.000	0.325	12.5	0.225	100
LS45250-2	2	0.045	0.250	6.000	0.325	42.5	0.225	797
LS45250-3	3	0.045	0.250	9.000	0.325	83.0	0.225	1195
LS45250-4	4	0.045	0.250	12.000	0.325	120.5	0.225	1593
LS45312-1	1	0.045	0.312	3.000	0.325	14.7	0.225	124
LS45312-2	2	0.045	0.312	6.000	0.325	60.3	0.225	994
LS45312-3	3	0.045	0.312	9.000	0.325	108.9	0.225	1491
LS45312-4	4	0.045	0.312	12.000	0.325	131.0	0.225	1988
LS45375-1	1	0.045	0.375	3.000	0.325	20.4	0.225	149
LS45375-2	2	0.045	0.375	6.000	0.325	73.1	0.225	1195
LS45375-3	3	0.045	0.375	9.000	0.325	133.5	0.225	1792
LS45375-4	4	0.045	0.375	12.000	0.325	190.0	0.225	2390
LS62188-1	1	0.062	0.188	3.375	0.350	14.3	0.250	138
LS62188-2	2	0.062	0.188	6.750	0.350	67.5	0.250	1100
LS62188-3	3	0.062	0.188	10.125	0.350	105.5	0.250	1650
LS62188-4	4	0.062	0.188	12.000	0.350	159.5	0.250	2200
LS62250-1	1	0.062	0.250	3.375	0.350	22.5	0.250	183
LS62250-2	2	0.062	0.250	6.750	0.350	104.0	0.250	1463
LS62250-3	3	0.062	0.250	10.125	0.350	161.0	0.250	2195
LS62250-4	4	0.062	0.250	12.000	0.350	234.0	0.250	2926
LS62312-1	1	0.062	0.312	3.375	0.350	27.8	0.250	228
LS62312-2	2	0.062	0.312	6.750	0.350	104.0	0.250	1826
LS62312-3	3	0.062	0.312	10.125	0.350	174.5	0.250	2739
LS62312-4	4	0.062	0.312	12.000	0.350	262.5	0.250	3652
LS62375-1	1	0.062	0.375	3.375	0.350	42.0	0.250	274
LS62375-2	2	0.062	0.375	6.750	0.350	139.5	0.250	2195
LS62375-3	3	0.062	0.375	10.125	0.350	240.0	0.250	3292
LS62375-4	4	0.062	0.375	12.000	0.350	353.0	0.250	4389

¹ Add suffix "-S17" for 17-7 stainless steel.

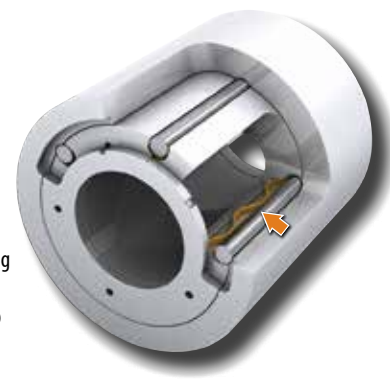
² Reference dimension.

³ Theoretical dimension; measured in lb/in.



Rotary Vane Pump

Smalley Linear Springs are used to radially load the bottom of the vanes in the pump. The springs energize the vanes against the bore for better sealing.



Detent Preload

Smalley Linear Springs are used to load pins that are positioned inside grooves so a rotating element can detent to specific positions. The springs are designed to exert a precise load to give the rotation a desired resistance.

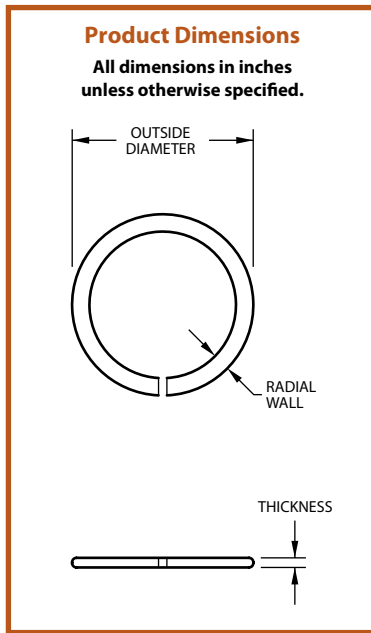
SSRS Series - Circular-Grain® Shims



Smalley Shims are commonly used in conjunction with wave springs where a back-up plate is needed for housings made of softer metals like aluminum or bronze, and for packings made of leather, neoprene or similar materials. Shims can function as spacers to change wave spring operating heights. Adding or subtracting shims is an excellent method of adjusting load on a wave spring. Using a shim spacer can also control tolerance buildups.

Stock Items in carbon steel and 17-7 PH stainless steel. However, Smalley can make them to order in nearly any size or material.

Smalley Part Number ^{1,3}	Outside Diameter	Thickness	Radial Wall	Part Weight ²	Smalley Part Number ^{1,3}	Outside Diameter	Thickness	Radial Wall	Part Weight ²
SSRS-0075	.750	.024	.093	1.31	SSRS-0550	5.500	.030	.233	32.77
SSRS-0087	.875	.024	.093	1.55	SSRS-0562	5.625	.030	.233	33.54
SSRS-0100	1.000	.024	.103	1.97	SSRS-0575	5.750	.030	.233	34.32
SSRS-0112	1.125	.024	.138	2.91	SSRS-0587	5.875	.030	.233	35.10
SSRS-0125	1.250	.024	.138	3.28	SSRS-0600	6.000	.030	.233	35.88
SSRS-0137	1.375	.024	.138	3.65	SSRS-0612	6.125	.030	.233	36.66
SSRS-0150	1.500	.024	.150	4.33	SSRS-0625	6.250	.030	.233	37.43
SSRS-0162	1.625	.024	.150	4.73	SSRS-0637	6.375	.030	.233	38.21
SSRS-0175	1.750	.024	.150	5.13	SSRS-0650	6.500	.030	.233	38.99
SSRS-0187	1.875	.024	.150	5.53	SSRS-0675	6.750	.030	.233	40.54
SSRS-0200	2.000	.024	.150	5.93	SSRS-0700	7.000	.032	.375	70.76
SSRS-0212	2.125	.024	.150	6.33	SSRS-0725	7.250	.032	.375	73.43
SSRS-0225	2.250	.024	.150	6.73	SSRS-0750	7.500	.032	.375	76.10
SSRS-0237	2.375	.024	.178	8.35	SSRS-0775	7.750	.032	.375	78.77
SSRS-0250	2.500	.024	.178	8.83	SSRS-0800	8.000	.032	.375	81.44
SSRS-0262	2.625	.024	.178	9.30	SSRS-0825	8.250	.032	.375	84.11
SSRS-0275	2.750	.030	.188	12.86	SSRS-0850	8.500	.032	.375	86.78
SSRS-0287	2.875	.030	.188	13.49	SSRS-0875	8.750	.032	.375	89.45
SSRS-0300	3.000	.030	.188	14.12	SSRS-0900	9.000	.032	.375	92.12
SSRS-0312	3.125	.030	.188	14.74	SSRS-0950	9.500	.032	.375	97.46
SSRS-0325	3.250	.030	.233	18.77	SSRS-1000	10.000	.032	.375	102.80
SSRS-0337	3.375	.030	.233	19.55	SSRS-1050	10.500	.032	.375	108.14
SSRS-0350	3.500	.030	.233	20.32	SSRS-1100	11.000	.032	.375	113.48
SSRS-0362	3.625	.030	.233	21.10	SSRS-1150	11.500	.032	.375	118.82
SSRS-0375	3.750	.030	.233	21.88	SSRS-1200	12.000	.032	.375	124.16
SSRS-0387	3.875	.030	.233	22.66	SSRS-1250	12.500	.032	.375	129.50
SSRS-0400	4.000	.030	.233	23.44	SSRS-1300	13.000	.032	.375	134.84
SSRS-0412	4.125	.030	.233	24.21	SSRS-1350	13.500	.032	.375	140.18
SSRS-0425	4.250	.030	.233	24.99	SSRS-1400	14.000	.032	.375	145.52
SSRS-0437	4.375	.030	.233	25.77	SSRS-1450	14.500	.032	.375	150.86
SSRS-0450	4.500	.030	.233	26.55	SSRS-1500	15.000	.032	.375	156.20
SSRS-0462	4.625	.030	.233	27.32	SSRS-1550	15.500	.032	.375	161.54
SSRS-0475	4.750	.030	.233	28.10	SSRS-1600	16.000	.032	.375	166.88
SSRS-0487	4.875	.030	.233	28.88					
SSRS-0500	5.000	.030	.233	29.66					
SSRS-0512	5.125	.030	.233	30.43					
SSRS-0525	5.250	.030	.233	31.21					
SSRS-0537	5.375	.030	.233	31.99					



¹ Add suffix "-S17" for 17-7 stainless steel.

² Lbs. per 1000.

³ See pages 132-133 for How to Order.

Request FREE samples

Get free samples of any standard catalog item at www.smalley.com/samples.

Or use form on page 131 of this catalog. Requests typically processed within 24 hours.

Get CAD downloads

Simplify your design process by downloading CAD models of standard retaining rings and wave springs at www.smalley.com/cad-models.

Spring Tester

Springs are inspected for load, deflection, free height and spring rate with this compression spring tester, designed and built by Smalley. Main components of the tester are described below.

The accuracy in checking spring load/deflection characteristics is dependent on the accuracy and precision of the testing device itself. The concept of accurate compression testing relies greatly on the following tester features:

1. Upper and lower plates must remain parallel throughout the test. Generally, the distance between upper and lower plates must be within .002 at any point, from zero to full load.
2. Upper and lower plates must be rigid in that they should not misalign with the spring positioned at any point on the lower plate (note that placing a spring off-center induces a moment, which tends to both tip the plates and cause frictional drag.)
3. The load system must be free of friction, which can cause hysteresis in the load values obtained in the test.
4. Testing surfaces of both the lower and upper plates must be smooth and free of scratches, cracks or other physical imperfections.

Fatigue Tester

Fatigue cycling is often a consideration when designing compression springs. Testing provides a more accurate prediction of actual cycle life and is recommended whenever cycle life is critical or when calculations show little margin over the cycle requirement.

Ideally, springs should be cycle tested in the actual assembly. Where this is not feasible, Smalley offers testing on high speed cycle machinery. The cycle test machinery can be adjusted to various work heights and stroke lengths to simulate the actual application.



Ring Introduction

Advantages of Spirolox® Retaining Rings

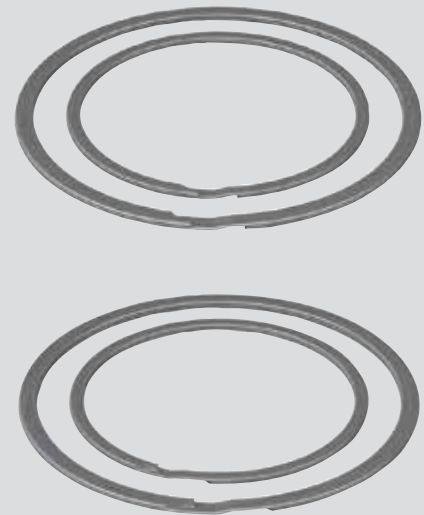
Spirolox Retaining Rings have No Ears to Interfere in your assembly! Spirolox Rings are manufactured by coiling the ring from flat wire. This unique process produces a retaining ring that has no protruding ears or burrs to interfere with your assembly. Because coiling produces a retaining ring with no scrap, the Spirolox Ring can be economically produced in carbon steel, stainless steel, coppers, and many other alloys.

Smalley offers over 6,000 standard parts, which are readily available in both carbon and stainless steel. If you require custom designs, take advantage of Smalley's No-Tooling-Cost process; a process perfect for large runs, prototypes and midstream design changes. Whatever your application, Smalley has the cost-effective and innovative design solution.



Spirolox Retaining Rings offer many advantages over stamped retaining rings

- No gap - 360° retaining surface
- No protruding ears to interfere with mating components (uniform cross-section)
- Economically produced in stainless steel because the coiling process produces no scrap
- **No-Tooling-Charge** on custom designs
- Easy installation and removal



Request FREE samples

Get free samples of any standard catalog item at www.smalley.com/samples.

Or use form on page 131 of this catalog. Requests typically processed within 24 hours.

Other Ring Types & Custom Designs



Constant Section Rings

Another popular choice of retaining ring configurations is the well known Constant Section Ring. Produced by edgewinding with no special tooling charges, Constant Section Rings have been specified for many years in the automotive and heavy equipment industries as a standard choice of engineers.

Smalley has hundreds of standard Constant Section Rings in stock, in carbon steel and stainless steel and in both inch and metric sizes. Special or custom designs can be produced quickly and economically utilizing Smalley's precision No-Tooling-Cost manufacturing process.

Constant Section Rings can withstand high forces and impact loads and are easily installed and removed from their internal or external groove for field servicing your product.



WaveRing®

The WaveRing is a spiral retaining ring with an axial wave form. It acts like a standard retaining ring with the additional feature of compressibility. It compensates for the overall length tolerance of stacked components, while still acting as a retaining ring. Once assembled the WaveRing will reduce looseness and vibration in the assembly.

Designed to fit into a groove, the WaveRing applies pressure in two directions: against the groove wall and against the assembly components. Single, double or multiple turns in the WaveRing are possible as well as a choice of materials, including our standard 17-7 PH stainless and carbon steel.



Custom Rings

A major segment of Smalley manufacturing is in "custom" or prototype retaining rings. Common Smalley customs include balanced, multi-turn (4,5,6 turns and more) and special ends in diameters from .200 in – 120 in (5 mm – 3,000 mm) and larger. Smalley engineers are on hand to help you design a ring specific to your application. Because there are no tooling costs, no job is too big or too small. Prototypes can be quickly and economically produced to test a design; in days, not weeks.

Get CAD downloads

Simplify your design process by downloading CAD models of standard retaining rings and wave springs at www.smalley.com/cad-models.

Retaining Ring Selection Guide

1

STEP 1: Do you need to meet any specifications?

YES

NO

Specification	Smalley Series
Military MIL- DTL-27426/3	WH
Military MIL- DTL-27426/1	WS
Military MIL- DTL-27426/4	WHM
Military MIL- DTL-27426/2	WSM
Aerospace AS4299, AS3217, AS3219	WH
Aerospace AS4299, AS3218, AS3219	WS
Aerospace AS4299, AS3215, AS3219	WHM
Aerospace AS4299, AS3216, AS3219	WSM
Metric Aerospace MA 4017	EH
Metric Aerospace MA 4016	ES



2

STEP 2: Do you need to match an alternative ring groove?

YES

NO

Manufacturer	Smalley Series
Truarc N5000 & 5008	WHM
Truarc 5100 & 5108	WSM
Eaton NAN	WHT
Eaton XAN	WST
Eaton I-N	WHM
Eaton E-N	WSM
Industrial RR 3000 & 4000	WHM
Industrial RR 3100 & 4100	WSM
Anderton N1300	WHM
Anderton N1400	WSM
Anderton D1300	DNH
Anderton D1400	DNS
European Specification DIN 472	DNH
European Specification DIN 471	DNS



3

STEP 3A: Choose by the Thrust Capacity needed OR see step 3B

Standard Units (inches)			
Series	Load ¹	Housing	Shaft
Light Duty	4100	VH	VS
Medium Duty	4950	WH	WS
Medium Heavy Duty	7070	WHT	WST
Heavy Duty	8340	WHM	WSM
Constant Section Rings	8341	FHE	FSE
WaveRing	—	WHW	WSW

¹ Representative example shows the load capacity (lb) for a 2" ring.

Metric Units (mm)			
Series	Load ¹	Housing	Shaft
Light Duty	18.03	VHM	VSM
DIN Series ²	36.55	DNH	DNS
Aerospace Series	38.96	EH	ES
Constant Section Rings	36.53	FH	FS

¹ Representative example shows the load capacity (kN) for a 50 mm ring.

² Manufactured to DIN groove specifications.

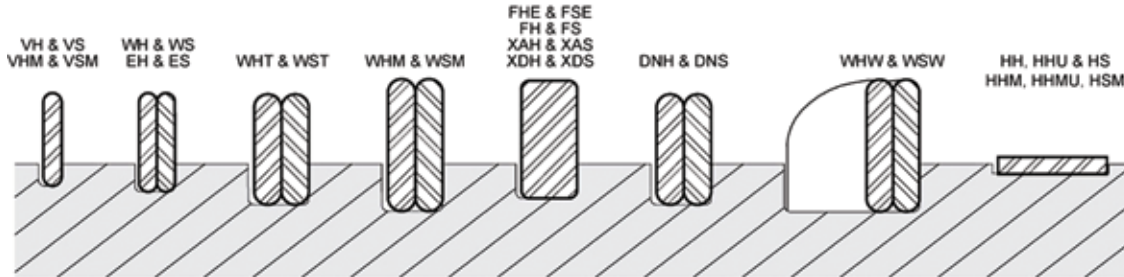
STEP 3B: Still not sure?

Use Smalley's most popular series, Medium Duty WH (internal) or WS (external).

Ask for a free sample.

Relative proportions of rings in grooves

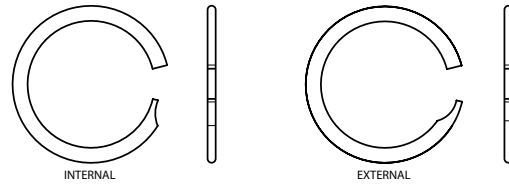
A cross-section of each Spirolox Retaining Ring configuration is illustrated, comparing groove and ring sections in the same diameter bore or shaft. The heavier retaining ring cross-sections are in deeper and wider grooves, to provide significantly greater thrust capacity.



Ring Types

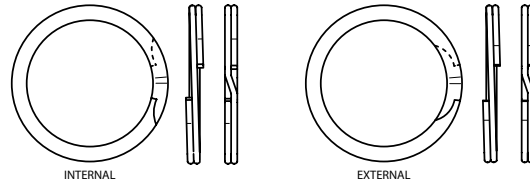
Spirolox Retaining Rings—Single Turn (1-Turn)

VH & VS — Light Duty, inch
VHM & VSM — Light Duty, metric



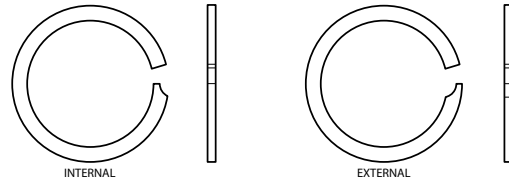
Spirolox Retaining Rings—2-Turn

WH & WS — Medium Duty, inch
WHT & WST — Medium Heavy Duty, inch
WHM & WSM — Heavy Duty, inch
EH & ES — Medium Duty, Metric Aerospace
DNH & DNS — Heavy Duty DIN, metric



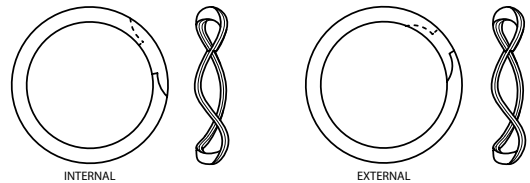
Constant Section Rings

FHE & FSE — Heavy Duty, inch
FH & FS — Heavy Duty, metric
*XAH & XAS — Eaton Style, inch
*XDH & XDS — Eaton Style, inch



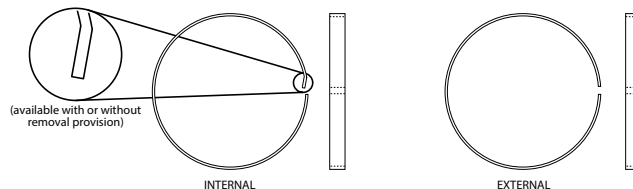
WaveRings

WHW & WSW — inch



Hoopster Rings

HH, HHU & HS — inch
HHM, HHMU & HSM — metric



*End configurations vary by size; see page 126 for Constant Section Ring end configurations.

Selection Guide

Interchange Listing

Smalley Retaining Rings are interchangeable with both inch and metric retaining ring grooves. Smalley offers free samples of all stock retaining rings to test in your application.

Cross reference a standard stamped ring or snap ring to find the appropriate Smalley Retaining Ring to fit your application.

SMALLEY®	SPIROLOX® SERIES	MILITARY MIL-DTL-27426	AEROSPACE AS3219	METRIC AEROSPACE MA 4035	EUROPEAN SPECIFICATION DIN	WALDES TRUARC	EATON	INDUSTRIAL RETAINING RING	OTHER RINGS	ANDERTON
VH	UR	---	---	---						
VS	US	---	---	---						
WH	RR	/3	AS4299 AS3217	---						
WS	RS	/1	AS4299 AS3218	---						
WHT	RRT	---	---	---	---	---	NAN	---	UHB	---
WST	RST	---	---	---	---	---	XAN	---	USC	---
WHM	RRN	/4	AS4299 AS3215	---	---	N5000 5008	IN	3000 4000	HO HOI UHO	N1300
WSM	RSN	/2	AS4299 AS3216	---	---	5100 5108	EN	3100 4100	SH SHI USH	N1400
DNH	---	---	---	---	DIN 472	---	---	---	DHO	D1300
DNS	---	---	---	---	DIN 471	---	---	---	DSH	D1400
EH	---	---	---	MA 4017	---	---	---	---	---	---
ES	---	---	---	MA 4016	---	---	---	---	---	---
FH	---	---	---	---	DIN 472	---	---	---	DHO	D1300
FS	---	---	---	---	DIN 471	---	---	---	DSH	D1400
XAH	---	---	---	---	---	---	NAN	---	UHB	---
XAS	---	---	---	---	---	---	XAN	---	USC	---
XDH	---	---	---	---	---	---	ND	---	HN	---
XDS	---	---	---	---	---	---	XD	---	SNL	---
XNH	---	---	---	---	---	---	IN	---	UHO	---
XNS	---	---	---	---	---	---	EN	---	USH	---

Groove Interchange Only
Use a Smalley Retaining Ring to fit into the same groove of these stamped Retaining Rings (circlips).



A. Rubber Boot
A 2-Turn Spirolox Retaining Ring clamps the rubber boot onto the groove making for a nearly perfect seal when the boot is filled with grease. The ring has been deburred so it will not tear into the rubber.

B. Pneumatic Fitting
An economical (without removal notches or offset) 2-Turn Spirolox Retaining Ring creates an ID/OD lock, permitting the 360° rotation of the nut. This permanent assembly is commonly used to hold two components together.

C. Conduit Connector
In this unique application, a Dished Retaining Ring was designed with sharp edges, to bite into the conduit it holds in place. The clamping force of the ring to the conduit (not shown) is achieved by screwing the nut. This decreases the ring's diameter as it advances in a tapered bore.

D. Gear Bracket
The worm gear shaft is held in place and pre-loaded using a 2-Turn Smalley WaveRing. The WaveRing fits an internal groove and the waveform in the ring allows the gear/shaft to float axially as the gear rotates.

E. Ratchet Wrench
This Single-Turn (it is actually 1 1/2 turns) External Retaining Ring retains the internal mechanical components of the ratchet wrench. The additional 1/2 turn provides that little extra strength needed to prevent the ring from dislodging when the wrench is dropped.

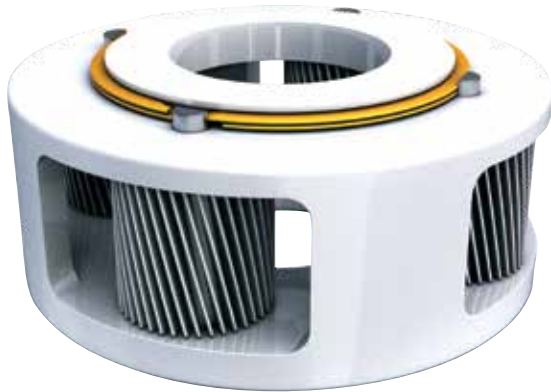
F. Cylinder Housing
The Hoopster Retaining Ring in this application allows for a shallow groove in the cylinder housing without compromising the ability to have high forces applied to the Hoopster. Because the cylinder is thin, a normal retaining ring groove could not be used.

Ring Applications

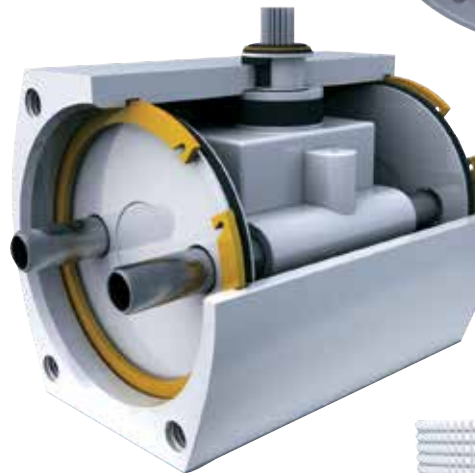


G. Bike Lock

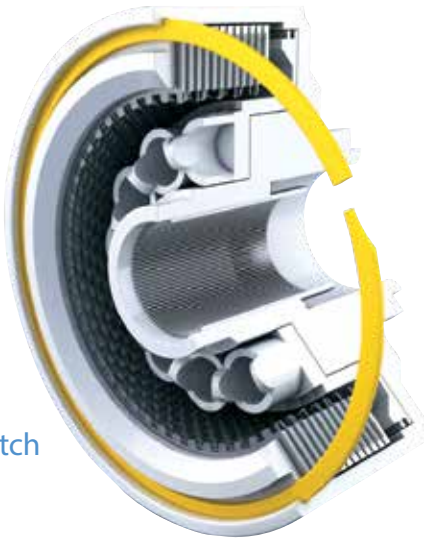
H. Pressure Gauge



I. Gear Assembly



J. Actuator Valve



K. Pneumatic Clutch



L. Hose Fitting

G. Bike Lock

Tamper-proof ring holds the lock assembly within its housing. The ring is considered tamper-proof because of reversed removal notches. Also, having a heavy cross-section makes the ring nearly impossible to remove.

H. Pressure Gauge

A retaining ring designed in a shallow groove exerts very light pressure on the glass lens in this pressure gauge. This single-turn retaining ring design provides the optimum load without breaking the glass.

I. Gear Assembly

External 2-Turn retaining ring prevents the pinion shafts from spinning when the gears are rotating. The Spirolox ring snaps securely on the groove and the ring's radial wall is designed to extend radially outward, clearing the four flat pinion shaft pins by .020".

J. Actuator Valve

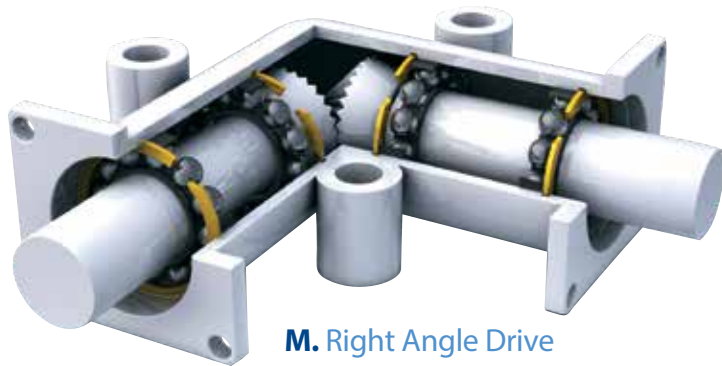
High thrust capacity was needed and a constant section ring was selected to absorb the occasional shock loading of the pistons.

K. Pneumatic Clutch

The internal components of this clutch are held in the housing using a heavy-duty constant section ring ring. Field servicing was often necessary and the snap ring was the ideal solution to the design requirement.

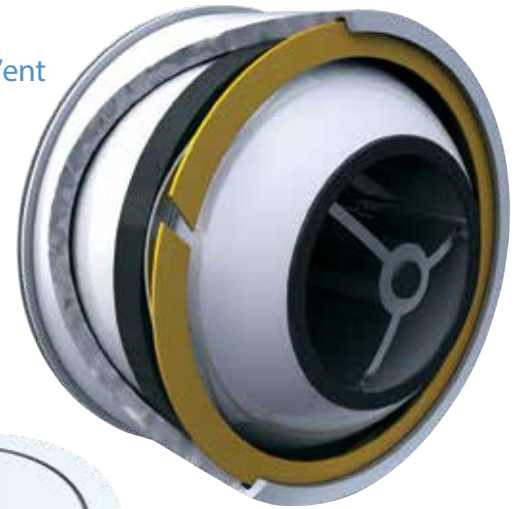
L. Hose Fitting

To keep the cap on the fitting, a single-turn retaining ring is located in a shallow internal groove. The wall thickness of the cap is small, so the ring was designed with square corners to operate in a very shallow groove.



M. Right Angle Drive

N. Air Vent



O. Pulley



P. Belt Pulley



Q. ID/OD Lock



R. Hip Replacement

M. Right Angle Drive

Constant section rings secure the bearing assembly by providing removable shoulders in the bore. This simplifies the design of the gear box and replaces costly flanged end plates.

N. Air Vent

Single-turn, light-duty retaining ring fits tightly in the internal groove of a plastic air vent. Ring ends are dimensioned close together, providing nearly complete 360° ring support.

O. Pulley

2-Turn retaining rings provide 360° side walls as sides of the timing belt pulley. Design eliminates costly pressed-on stamped side walls. For belt replacement one ring can be easily removed.

P. Belt Pulley

Three hold down screws and a 2-Turn Spirolox Ring form a bi-directional shoulder. The shaft is inserted through the pulley and the retaining ring rests on the pulley face securing the shaft in one direction. Movement is prevented in the other direction with the three screws clamping down on the ring.

Q. ID/OD Lock

Single-turn retaining ring operates in an internal and external groove at the same time, commonly referred to as an ID/OD Lock. In this application, the ring fits tight on the body (shaft) groove and extends radially into the nut (housing). This allows the nut to spin freely but not come off the body.

R. Hip Replacement

A titanium Spirolox Retaining Ring is used in this hip replacement application to secure the shell and the liner together to form the socket of the new hip. Smalley's manufacturing process allows for the economical production of special alloy products.

Assembly Methods

Manual Installation

Manual installation on an individual or low production basis is accomplished as follows:

- Separate the ring coils and insert one end of the ring into the groove.
- Wind the ring by pressing down around the circumference until the entire ring is inserted into the groove.

Housing:

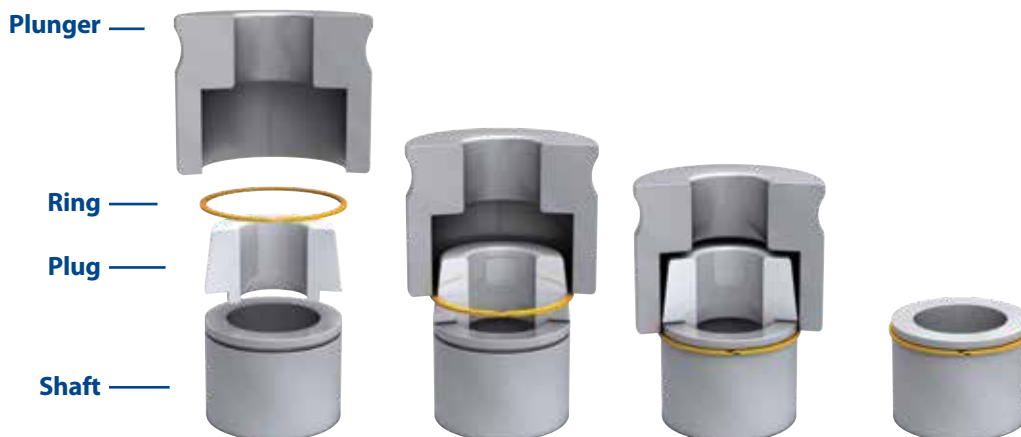


Shaft:



Semi-Automated and Automated Installation

For higher speed and automated assembly operations, simple tooling or assembly fixtures can be designed. External installation on a shaft can be accomplished with a plunger and tapered plug. The plug, angled at approximately 6 degrees, is centered over the shaft end. A loose fitting plunger pushes the ring into position over the tapered plug. An arbor press or air cylinder is commonly used to automate this assembly operation.



Internal retaining ring installation is accomplished in a similar manner. A tapered bore, which acts as a ring contracting guide, and a plunger pushes the retaining ring into position. Tooling for ring installation should have hardened working surfaces to minimize wear.



Using Screwdriver



Using Dental Pick



Removal

Smalley Retaining Rings are supplied standard with removal notches to enable easy extraction from a groove. The notch is provided to form a small gap between the ring end and the shaft or housing, permitting a blunt object to be inserted at the end of the ring to pry the free end out radially and up.

- Insert a screwdriver or dental pick behind the removal notch.
- Use the tool to pry out the first end of the ring.
- Manually spiral the ring around until it is free from the groove.

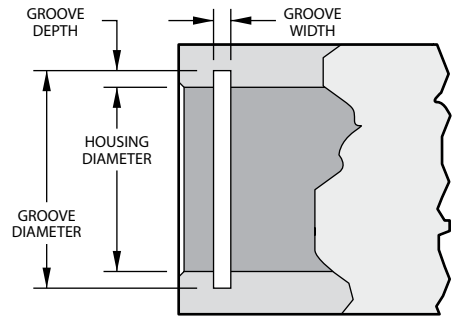
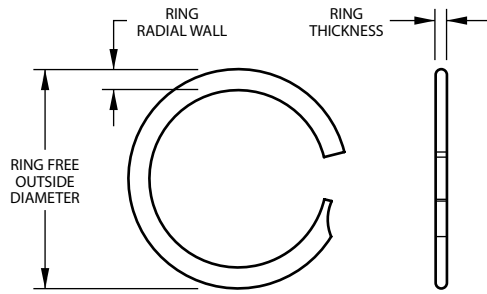
Smalley Tooling

Smalley's Spirolox Retaining Ring Removal Tool, part number RT-107, fits between the layers of a multiple turn retaining ring in order to access the removal notch. The end of the tool bit is slotted for the tip of the notch end to pass through. Once inserted, the ring end may be pulled out radially and up.

Visit www.smalley.com/retaining-rings/installation-and-removal for more information about installation and removal.

VH Series - Light Duty Rings

SPIROLOX RINGS EXCLUSIVELY FROM SMALLEY



Product Dimensions All dimensions in inches unless otherwise specified.

Smalley Part Number ^{1,4}	Housing Diameter	Ring			Groove		Thrust Capacity	
		Outside Diameter	Radial Wall	Thickness	Diameter	Width	Groove Yield (lb) ²	Ring Shear (lb) ³
VH-25 ^{5,6}	.250	.264	.020	.012	.262	.015	106	481
VH-31 ^{5,6}	.312	.329	.025	.015	.326	.018	154	750
VH-37 ^{5,6}	.375	.398	.030	.015	.395	.018	265	901
VH-43 ⁶	.437	.466	.030	.015	.463	.018	402	1,050
VH-50	.500	.531	.045	.018	.528	.022	500	1,300
VH-56	.562	.593	.045	.018	.590	.022	560	1,460
VH-62	.625	.656	.045	.018	.653	.022	620	1,630
VH-68	.687	.719	.045	.018	.715	.022	680	1,790
VH-75	.750	.783	.045	.018	.779	.022	800	1,950
VH-81	.812	.862	.065	.021	.854	.026	1,210	2,460
VH-87	.875	.926	.065	.021	.917	.026	1,300	2,660
VH-93	.937	.989	.065	.021	.979	.026	1,390	2,840
VH-100	1.000	1.052	.065	.021	1.042	.026	1,480	3,040
VH-106	1.062	1.117	.088	.025	1.106	.031	1,650	3,500
VH-112	1.125	1.180	.088	.025	1.169	.031	1,750	3,710
VH-118	1.187	1.242	.088	.025	1.231	.031	1,850	3,920
VH-125	1.250	1.307	.088	.025	1.294	.031	1,940	4,120
VH-131	1.312	1.369	.088	.025	1.356	.031	2,040	4,330
VH-137	1.375	1.433	.088	.025	1.419	.031	2,140	4,540
VH-143	1.437	1.496	.088	.025	1.481	.031	2,240	4,740
VH-150	1.500	1.559	.088	.025	1.544	.031	2,330	4,950
VH-156	1.562	1.637	.118	.031	1.619	.039	3,200	6,390
VH-162	1.625	1.701	.118	.031	1.682	.039	3,330	6,650
VH-168	1.687	1.763	.118	.031	1.744	.039	3,460	6,900
VH-175	1.750	1.827	.118	.031	1.807	.039	3,590	7,160
VH-181	1.812	1.890	.118	.031	1.869	.039	3,710	7,410
VH-187	1.875	1.953	.118	.031	1.932	.039	3,840	7,670
VH-193	1.937	2.016	.118	.031	1.994	.039	3,970	7,920
VH-200	2.000	2.079	.118	.031	2.057	.039	4,100	8,180
VH-206	2.062	2.162	.158	.031	2.138	.039	5,540	8,430
VH-212	2.125	2.226	.158	.031	2.201	.039	5,710	8,690
VH-218	2.187	2.289	.158	.031	2.263	.039	5,870	8,950
VH-225	2.250	2.352	.158	.031	2.326	.039	6,040	9,200
VH-231	2.312	2.415	.158	.031	2.388	.039	6,210	9,460
VH-237	2.375	2.478	.158	.031	2.451	.039	6,380	9,720
VH-243	2.437	2.541	.158	.031	2.513	.039	6,550	9,970
VH-250	2.500	2.605	.158	.031	2.576	.039	6,720	10,230
VH-256	2.562	2.667	.158	.031	2.638	.039	6,880	10,480
VH-262	2.625	2.731	.158	.031	2.701	.039	7,050	10,740
VH-268	2.687	2.794	.158	.031	2.763	.039	7,220	10,990
VH-275	2.750	2.857	.158	.031	2.826	.039	7,390	11,250
VH-281	2.812	2.920	.158	.031	2.888	.039	7,550	11,500
VH-287	2.875	2.983	.158	.031	2.951	.039	7,720	11,760
VH-293	2.937	3.046	.158	.031	3.013	.039	7,890	12,010
VH-300	3.000	3.110	.158	.031	3.076	.039	8,060	12,270

¹ Add suffix "-S02" for 302 stainless steel, "-S16" for 316 stainless steel.

² Based on a groove material yield strength of 45,000 psi and a safety factor of 2.

³ Based on a safety factor of 3.

⁴ See pages 132-133 for How to Order.

⁵ No removal notch.

⁶ Square edge wire.

Smalley Part Number ^{1,4}	Housing Diameter	Ring			Groove		Thrust Capacity	
		Outside Diameter	Radial Wall	Thickness	Diameter	Width	Groove Yield (lb) ²	Ring Shear (lb) ³
VH-306	3.062	3.188	.188	.039	3.154	.044	9,960	15,760
VH-312	3.125	3.251	.188	.039	3.217	.044	10,160	16,080
VH-318	3.187	3.314	.188	.039	3.279	.044	10,360	16,400
VH-325	3.250	3.377	.188	.039	3.342	.044	10,570	16,720
VH-331	3.312	3.440	.188	.039	3.404	.044	10,770	17,040
VH-337	3.375	3.504	.188	.039	3.467	.044	10,970	17,370
VH-343	3.437	3.566	.188	.039	3.529	.044	11,180	17,690
VH-350	3.500	3.630	.188	.039	3.592	.044	11,380	18,010
VH-356	3.562	3.692	.188	.039	3.654	.044	11,580	18,330
VH-362	3.625	3.756	.188	.039	3.717	.044	11,790	18,650
VH-368	3.687	3.819	.188	.039	3.779	.044	11,990	18,970
VH-375	3.750	3.882	.188	.039	3.842	.044	12,190	19,300
VH-381	3.812	3.945	.188	.039	3.904	.044	12,400	19,620
VH-387	3.875	4.009	.188	.039	3.967	.044	12,600	19,940
VH-393	3.937	4.071	.188	.039	4.029	.044	12,800	20,260
VH-400	4.000	4.135	.188	.039	4.092	.044	13,010	20,580
VH-412	4.125	4.279	.225	.046	4.235	.052	16,040	23,850
VH-425	4.250	4.405	.225	.046	4.360	.052	16,520	24,570
VH-437	4.375	4.531	.225	.046	4.485	.052	17,010	25,290
VH-450	4.500	4.658	.225	.046	4.610	.052	17,500	26,010
VH-462	4.625	4.784	.225	.046	4.735	.052	17,980	26,740
VH-475	4.750	4.910	.225	.046	4.860	.052	18,470	27,460
VH-487	4.875	5.036	.225	.046	4.985	.052	18,950	28,180
VH-500	5.000	5.163	.225	.046	5.110	.052	19,440	28,900
VH-525	5.250	5.435	.225	.061	5.381	.067	24,490	40,240
VH-550	5.500	5.694	.225	.061	5.638	.067	26,830	42,160
VH-575	5.750	5.953	.225	.061	5.894	.067	29,260	44,080
VH-600	6.000	6.212	.265	.061	6.150	.067	31,810	45,990
VH-625	6.250	6.470	.265	.061	6.406	.067	34,460	47,910
VH-650	6.500	6.730	.265	.061	6.663	.067	37,680	49,830
VH-675	6.750	6.988	.265	.061	6.919	.067	40,560	51,740
VH-700	7.000	7.247	.265	.061	7.175	.067	43,540	53,660
VH-725	7.250	7.505	.265	.061	7.431	.067	46,640	55,580
VH-750	7.500	7.765	.265	.061	7.688	.067	49,830	57,490
VH-775	7.750	8.023	.300	.061	7.944	.067	53,140	59,410
VH-800	8.000	8.282	.300	.061	8.200	.067	56,550	61,320
VH-825	8.250	8.541	.300	.061	8.456	.067	60,070	63,240
VH-850	8.500	8.800	.300	.061	8.713	.067	64,290	65,160
VH-875	8.750	9.059	.345	.076	8.969	.082	68,040	83,570
VH-900	9.000	9.317	.345	.076	9.225	.082	71,890	85,950
VH-925	9.250	9.576	.345	.076	9.481	.082	75,850	88,340
VH-950	9.500	9.835	.345	.076	9.738	.082	79,910	90,730
VH-975	9.750	10.094	.345	.076	9.994	.082	84,080	93,120
VH-1000	10.000	10.353	.345	.076	10.250	.082	88,360	95,500

¹ Add suffix "-S02" for 302 stainless steel, "-S16" for 316 stainless steel.

² Based on a groove material yield strength of 45,000 psi and a safety factor of 2.

³ Based on a safety factor of 3.

⁴ See pages 132-133 for How to Order.

Request FREE samples

Get free samples of any standard catalog item at www.smalley.com/samples.

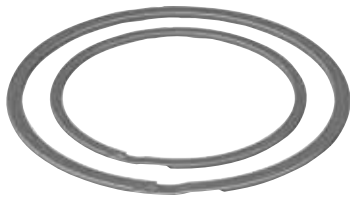
Or use form on page 131 of this catalog. Requests typically processed within 24 hours.

Get CAD downloads

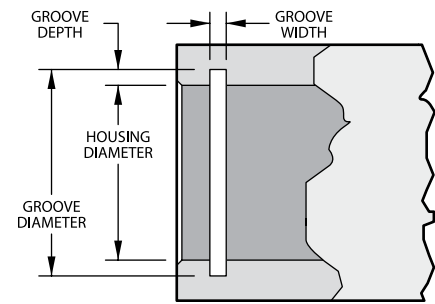
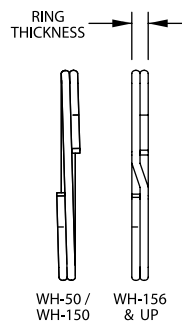
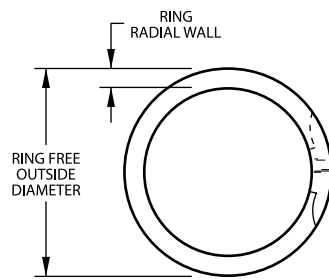
Simplify your design process by downloading CAD models of standard retaining rings and wave springs at www.smalley.com/cad-models.

WH Series - Medium Duty Rings

SPIROLOX RINGS EXCLUSIVELY FROM SMALLEY



AS3217, AS4299
MIL-DTL-27426/3



Product Dimensions All dimensions in inches unless otherwise specified.

Smalley Part Number ^{1,4}	Housing Diameter	Ring			Groove		Thrust Capacity	
		Outside Diameter	Radial Wall	Thickness	Diameter	Width	Groove Yield (lb) ²	Ring Shear (lb) ³
WH-50	.500	.532	.045	.025	.526	.030	460	2,000
WH-51	.512	.544	.045	.025	.538	.030	470	2,050
WH-53	.531	.564	.045	.025	.557	.030	490	2,130
WH-56	.562	.594	.045	.025	.588	.030	520	2,250
WH-59	.594	.626	.045	.025	.619	.030	550	2,380
WH-62	.625	.658	.045	.025	.651	.030	570	2,500
WH-65	.656	.689	.045	.025	.682	.030	600	2,630
WH-68	.687	.720	.045	.025	.713	.030	630	2,750
WH-71	.718	.751	.045	.025	.744	.030	660	2,870
WH-75	.750	.790	.065	.031	.782	.036	850	3,360
WH-77	.777	.817	.065	.031	.808	.036	880	3,480
WH-78	.781	.821	.065	.031	.812	.036	880	3,500
WH-81	.812	.853	.065	.031	.843	.036	920	3,640
WH-84	.843	.889	.065	.031	.880	.036	1,130	3,780
WH-86	.866	.913	.065	.031	.903	.036	1,160	3,880
WH-87	.875	.922	.065	.031	.912	.036	1,180	3,920
WH-90	.906	.949	.065	.031	.939	.036	1,220	4,060
WH-93	.938	.986	.065	.031	.975	.036	1,260	4,200
WH-96	.968	1.025	.075	.037	1.015	.042	1,440	5,180
WH-98	.987	1.041	.075	.037	1.030	.042	1,470	5,280
WH-100	1.000	1.054	.075	.037	1.043	.042	1,480	5,350
WH-102	1.023	1.078	.075	.037	1.066	.042	1,520	5,470
WH-103	1.031	1.084	.075	.037	1.074	.042	1,530	5,510
WH-106	1.062	1.117	.075	.037	1.104	.042	1,580	5,680
WH-109	1.093	1.147	.075	.037	1.135	.042	1,620	5,840
WH-112	1.125	1.180	.075	.037	1.167	.042	1,670	6,020
WH-115	1.156	1.210	.075	.037	1.198	.042	1,720	6,180
WH-118	1.188	1.249	.085	.043	1.236	.048	2,020	7,380
WH-121	1.218	1.278	.085	.043	1.266	.048	2,070	7,570
WH-125	1.250	1.312	.085	.043	1.298	.048	2,120	7,770
WH-128	1.281	1.342	.085	.043	1.329	.048	2,170	7,960
WH-131	1.312	1.374	.085	.043	1.360	.048	2,230	8,150
WH-134	1.343	1.408	.085	.043	1.395	.048	2,470	8,350
WH-137	1.375	1.442	.095	.043	1.427	.048	2,530	8,540
WH-140	1.406	1.472	.095	.043	1.458	.048	2,580	8,740
WH-143	1.437	1.504	.095	.043	1.489	.048	2,640	8,930
WH-145	1.456	1.523	.095	.043	1.508	.048	2,680	9,050
WH-146	1.468	1.535	.095	.043	1.520	.048	2,700	9,120
WH-150	1.500	1.567	.095	.043	1.552	.048	2,760	9,320
WH-156	1.562	1.634	.108	.049	1.617	.056	3,090	10,100
WH-157	1.574	1.649	.108	.049	1.633	.056	3,340	10,180
WH-162	1.625	1.701	.108	.049	1.684	.056	3,350	10,510
WH-165	1.653	1.730	.108	.049	1.712	.056	3,510	10,690
WH-168	1.687	1.768	.118	.049	1.750	.056	3,700	10,910
WH-175	1.750	1.834	.118	.049	1.813	.056	3,840	11,310
WH-181	1.813	1.894	.118	.049	1.875	.056	3,970	11,720
WH-185	1.850	1.937	.118	.049	1.917	.056	4,450	11,960

¹ Add suffix "-S02" for 302 stainless steel, "-S16" for 316 stainless steel.
² Based on a groove material yield strength of 45,000 psi and a safety factor of 2.
³ Based on a safety factor of 3.
⁴ See pages 132-133 for How to Order.

Smalley Part Number ^{1,4}	Housing Diameter	Ring			Groove		Thrust Capacity	
		Outside Diameter	Radial Wall	Thickness	Diameter	Width	Groove Yield (lb) ²	Ring Shear (lb) ³
WH-187	1.875	1.960	.118	.049	1.942	.056	4,510	12,120
WH-193	1.938	2.025	.118	.049	2.005	.056	4,660	12,530
WH-200	2.000	2.091	.128	.049	2.071	.056	4,950	12,930
WH-204	2.047	2.138	.128	.049	2.118	.056	5,060	13,240
WH-206	2.062	2.154	.128	.049	2.132	.056	5,100	13,330
WH-212	2.125	2.217	.128	.049	2.195	.056	5,260	13,740
WH-216	2.165	2.260	.138	.049	2.239	.056	5,660	14,000
WH-218	2.188	2.284	.138	.049	2.262	.056	5,720	14,150
WH-225	2.250	2.347	.138	.049	2.324	.056	5,890	14,550
WH-231	2.312	2.413	.138	.049	2.390	.056	6,370	14,950
WH-237	2.375	2.476	.138	.049	2.453	.056	6,550	15,360
WH-243	2.437	2.543	.148	.049	2.519	.056	7,060	15,760
WH-244	2.440	2.546	.148	.049	2.522	.056	7,070	15,780
WH-250	2.500	2.606	.148	.049	2.582	.056	7,250	16,160
WH-253	2.531	2.641	.148	.049	2.617	.056	7,690	16,360
WH-256	2.562	2.673	.148	.049	2.648	.056	7,790	16,560
WH-262	2.625	2.736	.148	.049	2.711	.056	7,980	16,970
WH-267	2.677	2.789	.158	.049	2.767	.056	8,520	17,310
WH-268	2.688	2.803	.158	.049	2.778	.056	8,550	17,380
WH-275	2.750	2.865	.158	.049	2.841	.056	8,750	17,780
WH-281	2.813	2.929	.158	.049	2.903	.056	8,950	18,190
WH-283	2.834	2.954	.168	.049	2.928	.056	9,520	18,320
WH-287	2.875	2.995	.168	.049	2.969	.056	9,550	18,590
WH-293	2.937	3.058	.168	.049	3.031	.056	9,760	18,990
WH-295	2.952	3.073	.168	.049	3.046	.056	9,810	19,090
WH-300	3.000	3.122	.168	.061	3.096	.068	10,180	24,150
WH-306	3.062	3.186	.168	.061	3.158	.068	10,390	24,650
WH-312	3.125	3.251	.178	.061	3.223	.068	10,600	25,150
WH-314	3.149	3.276	.178	.061	3.247	.068	10,680	25,350
WH-318	3.187	3.311	.178	.061	3.283	.068	10,810	25,650
WH-325	3.250	3.379	.178	.061	3.350	.068	11,490	26,160
WH-331	3.312	3.446	.188	.061	3.416	.068	12,170	26,660
WH-334	3.346	3.479	.188	.061	3.450	.068	12,300	26,930
WH-337	3.375	3.509	.188	.061	3.479	.068	12,410	27,170
WH-343	3.437	3.574	.188	.061	3.543	.068	12,880	27,660
WH-350	3.500	3.636	.188	.061	3.606	.068	13,110	28,170
WH-354	3.543	3.684	.198	.061	3.653	.068	13,770	28,520
WH-356	3.562	3.703	.198	.061	3.672	.068	13,850	28,670
WH-362	3.625	3.769	.198	.061	3.737	.068	14,350	29,180
WH-368	3.687	3.832	.198	.061	3.799	.068	14,600	29,680
WH-374	3.740	3.885	.198	.061	3.852	.068	14,800	30,100
WH-375	3.750	3.894	.198	.061	3.862	.068	14,840	30,180
WH-381	3.812	3.963	.208	.061	3.930	.068	15,900	30,680
WH-387	3.875	4.025	.208	.061	3.993	.068	16,160	31,190
WH-393	3.938	4.089	.208	.061	4.056	.068	16,420	31,700
WH-400	4.000	4.157	.218	.061	4.124	.068	17,530	32,200
WH-406	4.063	4.222	.218	.061	4.187	.068	17,810	32,700
WH-412	4.125	4.284	.218	.061	4.249	.068	18,080	33,200
WH-418	4.188	4.347	.218	.061	4.311	.068	18,350	33,710
WH-425	4.250	4.416	.228	.061	4.380	.068	19,530	34,210
WH-431	4.312	4.479	.228	.061	4.442	.068	19,810	34,710
WH-433	4.330	4.497	.228	.061	4.460	.068	19,900	34,850
WH-437	4.375	4.543	.228	.061	4.505	.068	20,100	35,210
WH-443	4.437	4.611	.238	.061	4.573	.068	21,330	35,710
WH-450	4.500	4.674	.238	.061	4.636	.068	21,630	36,220
WH-452	4.527	4.701	.238	.061	4.663	.068	21,760	36,440
WH-456	4.562	4.737	.238	.061	4.698	.068	21,930	36,720
WH-462	4.625	4.803	.250	.072	4.765	.079	22,890	43,940
WH-468	4.687	4.867	.250	.072	4.827	.079	23,190	44,530
WH-472	4.724	4.903	.250	.072	4.864	.079	23,370	44,880
WH-475	4.750	4.930	.250	.072	4.890	.079	23,500	45,130
WH-481	4.812	4.993	.250	.072	4.952	.079	23,810	45,720

¹ Add suffix "-S02" for 302 stainless steel, "-S16" for 316 stainless steel.

² Based on a groove material yield strength of 45,000 psi and a safety factor of 2.

³ Based on a safety factor of 3.

⁴ See pages 132-133 for How to Order.

WH Series - Medium Duty Rings

SPIROLOX RINGS EXCLUSIVELY FROM SMALLEY

Stock Items available in carbon steel and 302 and 316 stainless steel.

Product Dimensions All dimensions in inches unless otherwise specified.

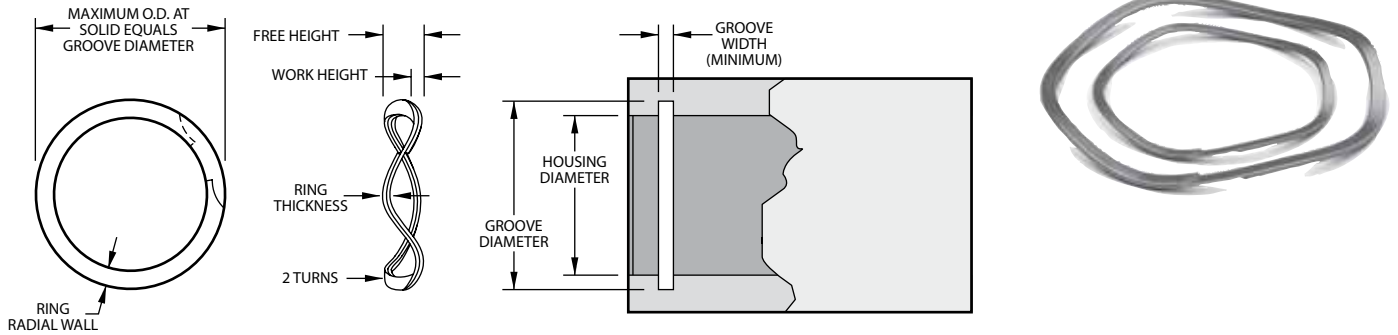
Smalley Part Number ^{1,4}	Housing Diameter	Ring			Groove		Thrust Capacity	
		Outside Diameter	Radial Wall	Thickness	Diameter	Width	Groove Yield (lb) ²	Ring Shear (lb) ³
WH-487	4.875	5.055	.250	.072	5.015	.079	24,120	46,310
WH-492	4.921	5.102	.250	.072	5.061	.079	24,350	46,750
WH-493	4.937	5.122	.250	.072	5.081	.079	25,130	46,900
WH-500	5.000	5.185	.250	.072	5.144	.079	25,450	47,500
WH-511	5.118	5.304	.250	.072	5.262	.079	26,050	48,620
WH-512	5.125	5.311	.250	.072	5.269	.079	26,100	48,690
WH-525	5.250	5.436	.250	.072	5.393	.079	26,720	49,880
WH-537	5.375	5.566	.250	.072	5.522	.079	28,120	51,060
WH-550	5.500	5.693	.250	.072	5.647	.079	28,770	52,250
WH-551	5.511	5.703	.250	.072	5.658	.079	28,830	52,360
WH-562	5.625	5.818	.250	.072	5.772	.079	29,400	53,440
WH-570	5.708	5.909	.250	.072	5.861	.079	31,070	54,230
WH-575	5.750	5.950	.250	.072	5.903	.079	31,300	54,630
WH-587	5.875	6.077	.250	.072	6.028	.079	31,980	55,810
WH-590	5.905	6.106	.250	.072	6.058	.079	32,140	56,100
WH-600	6.000	6.202	.250	.072	6.153	.079	32,660	57,000
WH-612	6.125	6.349	.312	.086	6.297	.094	37,200	69,500
WH-625	6.250	6.474	.312	.086	6.422	.094	37,990	70,920
WH-629	6.299	6.524	.312	.086	6.471	.094	38,290	71,480
WH-637	6.375	6.601	.312	.086	6.547	.094	38,750	72,340
WH-650	6.500	6.726	.312	.086	6.672	.094	39,510	73,760
WH-662	6.625	6.863	.312	.086	6.807	.094	42,620	75,180
WH-669	6.692	6.931	.312	.086	6.874	.094	43,050	75,940
WH-675	6.750	6.987	.312	.086	6.932	.094	43,420	76,600
WH-687	6.875	7.114	.312	.086	7.057	.094	44,220	78,010
WH-700	7.000	7.239	.312	.086	7.182	.094	45,030	79,430
WH-708	7.086	7.337	.312	.086	7.278	.094	48,080	80,410
WH-712	7.125	7.376	.312	.086	7.317	.094	48,350	80,850
WH-725	7.250	7.501	.312	.086	7.442	.094	49,200	82,270
WH-737	7.375	7.628	.312	.086	7.567	.094	50,050	83,690
WH-748	7.480	7.734	.312	.086	7.672	.094	50,760	84,880
WH-750	7.500	7.754	.312	.086	7.692	.094	50,890	85,110
WH-762	7.625	7.890	.312	.086	7.827	.094	54,440	86,520
WH-775	7.750	8.014	.312	.086	7.952	.094	55,330	87,940
WH-787	7.875	8.131	.312	.086	8.077	.094	63,360	89,360
WH-800	8.000	8.266	.312	.086	8.202	.094	57,110	90,780
WH-825	8.250	8.528	.375	.086	8.462	.094	61,820	93,620
WH-826	8.267	8.546	.375	.086	8.479	.094	61,940	93,810
WH-846	8.464	8.744	.375	.086	8.676	.094	63,420	96,050
WH-850	8.500	8.780	.375	.086	8.712	.094	63,690	96,450
WH-875	8.750	9.041	.375	.086	8.972	.094	68,650	99,290
WH-885	8.858	9.151	.375	.086	9.080	.094	69,500	100,520
WH-900	9.000	9.293	.375	.086	9.222	.094	70,620	102,130
WH-905	9.055	9.359	.375	.086	9.287	.094	74,250	102,750
WH-925	9.250	9.555	.375	.086	9.482	.094	75,850	104,960
WH-944	9.448	9.755	.375	.086	9.680	.094	77,470	107,210
WH-950	9.500	9.806	.375	.086	9.732	.094	77,900	107,800
WH-975	9.750	10.068	.375	.086	9.992	.094	83,390	110,640
WH-1000	10.000	10.320	.375	.086	10.242	.094	85,530	113,470
WH-1025	10.250	10.582	.375	.086	10.502	.094	91,290	116,310
WH-1050	10.500	10.834	.375	.086	10.752	.094	93,520	119,150
WH-1075	10.750	11.095	.375	.086	11.012	.094	99,540	121,990
WH-1100	11.000	11.347	.375	.086	11.262	.094	101,860	124,820

¹ Add suffix "-S02" for 302 stainless steel, "-S16" for 316 stainless steel.
² Based on a groove material yield strength of 45,000 psi and a safety factor of 2.
³ Based on a safety factor of 3.
⁴ See pages 132-133 for How to Order.

Get CAD downloads

Simplify your design process by downloading CAD models of standard retaining rings and wave springs at www.smalley.com/cad-models.

Stock Items available in carbon steel and 17-7 PH stainless steel.

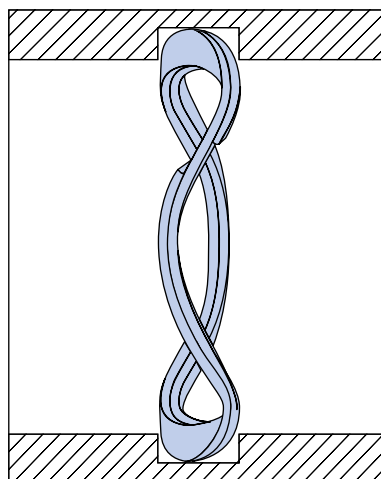


Product Dimensions All dimensions in inches unless otherwise specified.

Smalley Part Number ^{1,2}	Housing Diameter	Load (lb) @ Work Height	Max. Free Height	Number of Waves	Ring			Groove	
					Thickness	Radial Wall	Crimp	Diameter	Width Min.
WHW-75	.750	25 @ .080	.114	3	.035	.065	N	.796	.119
WHW-87	.875	30 @ .085	.110	3	.042	.085	N	.931	.115
WHW-100	1.000	34 @ .085	.120	3	.042	.085	N	1.066	.125
WHW-112	1.125	38 @ .100	.125	3	.050	.128	N	1.197	.130
WHW-125	1.250	40 @ .100	.135	3	.050	.128	N	1.330	.140
WHW-137	1.375	45 @ .100	.125	4	.050	.128	N	1.461	.130
WHW-150	1.500	50 @ .100	.135	4	.050	.128	N	1.594	.140
WHW-162	1.625	55 @ .110	.135	4	.062	.158	N	1.725	.140
WHW-175	1.750	60 @ .110	.140	4	.062	.158	N	1.858	.145
WHW-187	1.875	63 @ .110	.141	4	.062	.158	N	1.989	.146
WHW-200	2.000	65 @ .110	.150	4	.062	.158	N	2.122	.155
WHW-212	2.125	70 @ .130	.170	4	.078	.188	N	2.251	.175
WHW-225	2.250	75 @ .130	.175	4	.078	.188	N	2.382	.180
WHW-237	2.375	80 @ .130	.180	4	.078	.188	N	2.517	.185
WHW-250	2.500	84 @ .130	.183	4	.078	.188	N	2.648	.188
WHW-262	2.625	88 @ .170	.220	4	.093	.225	N	2.781	.225
WHW-275	2.750	94 @ .170	.229	4	.093	.225	N	2.914	.234
WHW-287	2.875	97 @ .170	.225	4	.093	.225	N	3.051	.230
WHW-300	3.000	100 @ .170	.230	4	.093	.225	N	3.182	.235
WHW-312	3.125	103 @ .185	.250	4	.111	.281	Y	3.315	.255
WHW-325	3.250	106 @ .185	.250	4	.111	.281	Y	3.446	.255
WHW-350	3.500	115 @ .185	.245	4	.111	.281	Y	3.710	.250
WHW-362	3.625	117 @ .185	.250	4	.111	.281	Y	3.841	.250
WHW-375	3.750	121 @ .185	.255	4	.111	.312	Y	3.974	.260
WHW-387	3.875	126 @ .185	.260	4	.111	.312	Y	4.107	.265
WHW-400	4.000	130 @ .185	.255	4	.111	.312	Y	4.240	.260
WHW-412	4.125	134 @ .185	.258	4	.111	.312	Y	4.365	.263
WHW-425	4.250	140 @ .185	.264	4	.111	.312	Y	4.490	.269
WHW-450	4.500	150 @ .185	.250	5	.111	.312	Y	4.740	.255
WHW-475	4.750	160 @ .185	.252	5	.111	.312	Y	4.995	.257
WHW-500	5.000	170 @ .185	.247	5	.111	.312	Y	5.260	.252

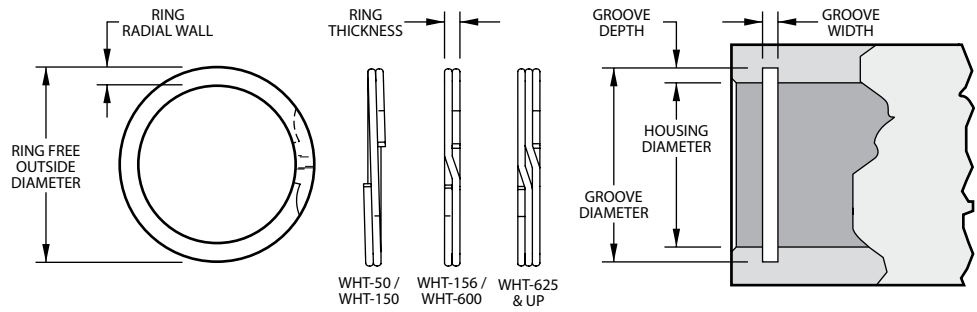
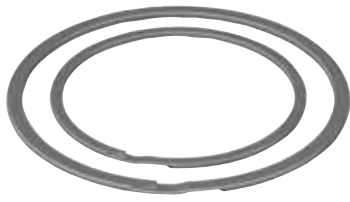
¹ Add suffix "-S17" for stainless steel.

² See pages 132-133 for How to Order.



WHT Series - Medium Heavy Duty Rings

SPIROLOX RINGS EXCLUSIVELY FROM SMALLEY



Product Dimensions All dimensions in inches unless otherwise specified.

Smalley Part Number ^{1,4}	Housing Diameter	Ring			Groove		Thrust Capacity	
		Outside Diameter	Radial Wall	Thickness	Diameter	Width	Groove Yield (lb) ²	Ring Shear (lb) ³
WHT-50	.500	.529	.045	.035	.524 ±.002	.039	420	2,530
WHT-51	.512	.541	.045	.035	.536 ±.002	.039	430	2,590
WHT-56	.562	.597	.045	.035	.592 ±.002	.039	600	2,840
WHT-62	.625	.665	.045	.035	.659 ±.002	.039	750	3,160
WHT-68	.688	.730	.055	.035	.724 ±.003	.039	880	3,480
WHT-75	.750	.796	.055	.035	.790 ±.003	.039	1,060	3,790
WHT-77	.777	.825	.065	.042	.819 ±.003	.046	1,150	4,720
WHT-81	.812	.864	.065	.042	.857 ±.003	.046	1,320	4,930
WHT-86	.866	.919	.065	.042	.912 ±.003	.046	1,410	5,260
WHT-87	.875	.929	.065	.042	.922 ±.003	.046	1,480	5,310
WHT-90	.901	.957	.065	.042	.950 ±.003	.046	1,590	5,470
WHT-93	.938	.997	.075	.042	.989 ±.003	.046	1,720	5,690
WHT-100	1.000	1.063	.075	.042	1.055 ±.003	.046	1,980	6,070
WHT-102	1.023	1.087	.075	.042	1.079 ±.003	.046	2,030	6,210
WHT-106	1.062	1.129	.078	.050	1.120 ±.004	.056	2,180	7,010
WHT-112	1.125	1.195	.078	.050	1.185 ±.004	.056	2,390	7,420
WHT-118	1.188	1.260	.088	.050	1.250 ±.004	.056	2,600	7,840
WHT-125	1.250	1.330	.093	.050	1.320 ±.004	.056	3,090	8,250
WHT-131	1.312	1.395	.093	.050	1.385 ±.004	.056	3,430	8,660
WHT-137	1.375	1.461	.098	.050	1.450 ±.004	.056	3,690	9,070
WHT-143	1.438	1.526	.103	.050	1.515 ±.004	.056	3,960	9,490
WHT-145	1.456	1.546	.108	.050	1.535 ±.004	.056	4,120	9,610
WHT-150	1.500	1.591	.108	.050	1.580 ±.004	.056	4,240	9,900
WHT-156	1.562	1.659	.113	.062	1.647 ±.005	.068	4,750	12,780
WHT-162	1.625	1.727	.113	.062	1.715 ±.005	.068	5,170	13,290
WHT-165	1.653	1.757	.118	.062	1.745 ±.005	.068	5,380	13,520
WHT-168	1.688	1.793	.118	.062	1.780 ±.005	.068	5,490	13,810
WHT-175	1.750	1.858	.118	.062	1.845 ±.005	.068	5,940	14,320
WHT-181	1.812	1.923	.123	.062	1.910 ±.005	.068	6,280	14,820
WHT-185	1.850	1.963	.123	.062	1.949 ±.005	.068	6,540	15,130
WHT-187	1.875	1.989	.128	.062	1.975 ±.005	.068	6,630	15,340
WHT-193	1.938	2.054	.128	.062	2.040 ±.005	.068	6,990	15,850
WHT-200	2.000	2.125	.138	.062	2.110 ±.005	.068	7,780	16,360
WHT-206	2.062	2.190	.141	.078	2.175 ±.006	.086	8,310	21,220
WHT-212	2.125	2.255	.141	.078	2.240 ±.006	.086	8,710	21,870
WHT-218	2.188	2.321	.141	.078	2.305 ±.006	.086	9,130	22,520
WHT-225	2.250	2.386	.141	.078	2.370 ±.006	.086	9,540	23,160
WHT-231	2.312	2.457	.188	.078	2.440 ±.006	.086	10,460	23,800
WHT-237	2.375	2.522	.188	.078	2.505 ±.006	.086	10,910	24,440
WHT-244	2.440	2.588	.188	.078	2.570 ±.006	.086	11,210	25,110
WHT-250	2.500	2.653	.188	.078	2.635 ±.006	.086	12,020	25,730
WHT-253	2.531	2.687	.188	.078	2.668 ±.006	.086	12,350	26,050
WHT-256	2.562	2.720	.188	.093	2.700 ±.006	.103	12,500	29,940
WHT-262	2.625	2.785	.188	.093	2.765 ±.006	.103	12,990	30,680

¹ Add suffix "-S02" for 302 stainless steel, "-S16" for 316 stainless steel.

² Based on a groove material yield strength of 45,000 psi and a safety factor of 2.

³ Based on a safety factor of 3.

⁴ See pages 132-133 for How to Order.

Smalley Part Number ^{1,4}	Housing Diameter	Ring			Groove		Thrust Capacity	
		Outside Diameter	Radial Wall	Thickness	Diameter	Width	Groove Yield (lb) ²	Ring Shear (lb) ³
WHT-268	2.688	2.855	.188	.093	2.834	.103	13,870	31,410
WHT-275	2.750	2.921	.188	.093	2.900	.103	14,580	32,140
WHT-281	2.813	2.987	.188	.093	2.965	.103	15,110	32,880
WHT-283	2.834	3.009	.188	.093	2.987	.103	15,430	33,120
WHT-287	2.875	3.053	.188	.093	3.030	.103	15,850	33,600
WHT-300	3.000	3.188	.188	.093	3.165	.103	17,600	35,060
WHT-306	3.062	3.253	.250	.111	3.230	.120	18,180	42,710
WHT-312	3.125	3.318	.250	.111	3.295	.120	18,780	43,590
WHT-315	3.156	3.354	.250	.111	3.328	.120	19,190	44,040
WHT-325	3.250	3.450	.250	.111	3.426	.120	20,220	45,330
WHT-334	3.346	3.550	.250	.111	3.525	.120	21,290	46,670
WHT-346	3.464	3.675	.250	.111	3.650	.120	22,770	48,320
WHT-350	3.500	3.716	.250	.111	3.690	.120	23,500	48,820
WHT-354	3.543	3.761	.250	.111	3.735	.120	24,040	49,420
WHT-356	3.562	3.783	.250	.111	3.756	.120	24,420	49,690
WHT-362	3.625	3.849	.250	.111	3.822	.120	25,370	50,560
WHT-375	3.750	3.982	.250	.111	3.955	.120	27,300	52,310
WHT-387	3.875	4.115	.250	.111	4.087	.120	29,030	54,050
WHT-393	3.938	4.178	.250	.111	4.150	.120	29,510	54,930
WHT-400	4.000	4.248	.250	.111	4.220	.120	31,100	55,800
WHT-412	4.125	4.373	.312	.111	4.345	.120	32,070	57,540
WHT-425	4.250	4.500	.312	.111	4.470	.120	33,050	59,280
WHT-433	4.330	4.586	.312	.111	4.556	.120	34,590	60,400
WHT-450	4.500	4.768	.312	.111	4.735	.120	37,530	62,770
WHT-462	4.625	4.897	.312	.111	4.865	.120	39,230	64,510
WHT-475	4.750	5.028	.312	.111	4.995	.120	41,300	66,260
WHT-500	5.000	5.295	.312	.111	5.260	.120	45,950	69,740
WHT-525	5.250	5.559	.375	.127	5.520	.139	50,100	83,790
WHT-537	5.375	5.685	.375	.127	5.645	.139	51,290	85,780
WHT-550	5.500	5.810	.375	.127	5.770	.139	52,480	87,780
WHT-575	5.750	6.062	.375	.127	6.020	.139	54,870	91,770
WHT-600	6.000	6.314	.375	.127	6.270	.139	57,260	95,760

¹ Add suffix "-S02" for 302 stainless steel, "-S16" for 316 stainless steel.

² Based on a groove material yield strength of 45,000 psi and a safety factor of 2.

³ Based on a safety factor of 3.

⁴ See pages 132-133 for How to Order.

Rings listed below are three-turn construction.

Smalley Part Number ^{1,4}	Housing Diameter	Ring			Groove		Thrust Capacity	
		Outside Diameter	Radial Wall	Thickness	Diameter	Width	Groove Yield (lb) ²	Ring Shear (lb) ³
WHT-625	6.250	6.576	.312	.165	6.530	.174	61,850	129,590
WHT-650	6.500	6.837	.312	.165	6.790	.174	66,620	134,780
WHT-662	6.625	6.973	.312	.165	6.925	.174	70,240	137,370
WHT-675	6.750	7.104	.312	.165	7.055	.174	73,000	139,960
WHT-700	7.000	7.366	.312	.165	7.315	.174	78,180	145,140
WHT-725	7.250	7.628	.375	.189	7.575	.209	83,530	172,190
WHT-750	7.500	7.895	.375	.189	7.840	.209	90,120	178,130
WHT-775	7.750	8.156	.375	.189	8.100	.209	95,870	184,070
WHT-800	8.000	8.418	.375	.189	8.360	.209	101,790	190,000
WHT-825	8.250	8.680	.375	.189	8.620	.209	107,880	195,940
WHT-850	8.500	8.942	.375	.189	8.880	.209	114,160	201,880
WHT-875	8.750	9.209	.375	.189	9.145	.209	122,460	207,820
WHT-900	9.000	9.471	.375	.189	9.405	.209	129,140	213,750
WHT-925	9.250	9.736	.375	.189	9.669	.209	137,310	219,690
WHT-950	9.500	9.999	.375	.189	9.930	.209	144,380	225,630
WHT-975	9.750	10.260	.375	.189	10.189	.209	151,620	231,570
WHT-1000	10.000	10.552	.375	.189	10.450	.209	159,040	237,500
WHT-1050	10.500	11.072	.375	.189	10.970	.209	174,420	249,380

¹ Add suffix "-S02" for 302 stainless steel, "-S16" for 316 stainless steel.

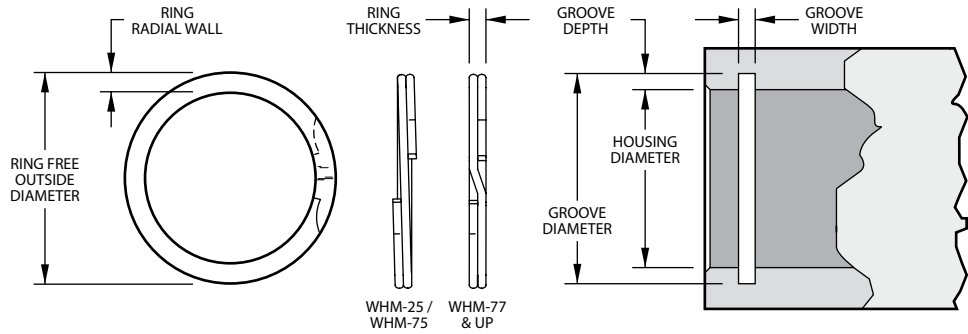
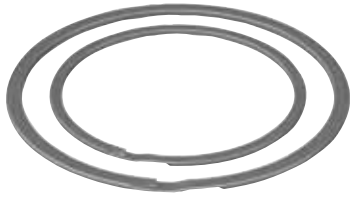
² Based on a groove material yield strength of 45,000 psi and a safety factor of 2.

³ Based on a safety factor of 3.

⁴ See pages 132-133 for How to Order.

WHM Series - Heavy Duty Series

SPIROLOX RINGS EXCLUSIVELY FROM SMALLEY



AS3215, AS4299
MIL-DTL-27426/4

Product Dimensions All dimensions in inches unless otherwise specified.

Smalley Part Number ^{1,4}	Housing Diameter	Ring			Groove		Thrust Capacity	
		Outside Diameter	Radial Wall	Thickness	Diameter	Width	Groove Yield (lb) ²	Ring Shear (lb) ³
WHM-25 ^{5,6}	.250	.270	.020	.015	.268	.020	159	561
WHM-31 ^{5,6}	.312	.333	.025	.015	.330	.020	198	700
WHM-37 ^{5,6}	.375	.400	.030	.025	.397	.029	292	1,442
WHM-43 ⁵	.437	.464	.035	.025	.461	.029	371	1,680
WHM-50	.500	.538	.045	.035	.530	.039	530	2,530
WHM-51	.512	.550	.045	.035	.542	.039	540	2,590
WHM-56	.562	.605	.055	.035	.596	.039	680	2,840
WHM-62	.625	.675	.055	.035	.665	.039	880	3,160
WHM-68	.688	.743	.065	.035	.732	.039	1,070	3,480
WHM-75	.750	.807	.065	.035	.796	.039	1,220	3,790
WHM-77	.777	.836	.075	.042	.825	.046	1,320	4,720
WHM-81	.812	.873	.075	.042	.862	.046	1,440	4,930
WHM-86	.866	.931	.075	.042	.920	.046	1,650	5,260
WHM-87	.875	.943	.085	.042	.931	.046	1,730	5,310
WHM-90	.901	.972	.085	.042	.959	.046	1,850	5,470
WHM-93	.938	1.013	.085	.042	1.000	.046	2,060	5,690
WHM-100	1.000	1.080	.085	.042	1.066	.046	2,330	6,070
WHM-102	1.023	1.105	.085	.042	1.091	.046	2,460	6,210
WHM-106	1.062	1.138	.103	.050	1.130	.056	2,550	7,010
WHM-112	1.125	1.205	.103	.050	1.197	.056	2,860	7,420
WHM-118	1.188	1.271	.103	.050	1.262	.056	3,110	7,840
WHM-125	1.250	1.339	.103	.050	1.330	.056	3,530	8,250
WHM-131	1.312	1.406	.118	.050	1.396	.056	3,900	8,660
WHM-137	1.375	1.471	.118	.050	1.461	.056	4,180	9,070
WHM-143	1.439	1.539	.118	.050	1.528	.056	4,580	9,490
WHM-145	1.456	1.559	.118	.050	1.548	.056	4,730	9,610
WHM-150	1.500	1.605	.118	.050	1.594	.056	4,980	9,900
WHM-156	1.562	1.675	.128	.062	1.658	.068	5,300	12,780
WHM-162	1.625	1.742	.128	.062	1.725	.068	5,740	13,290
WHM-165	1.653	1.772	.128	.062	1.755	.068	5,960	13,520
WHM-168	1.688	1.810	.128	.062	1.792	.068	6,210	13,810
WHM-175	1.750	1.876	.128	.062	1.858	.068	6,680	14,320
WHM-181	1.812	1.940	.128	.062	1.922	.068	7,050	14,820
WHM-185	1.850	1.981	.158	.062	1.962	.068	7,320	15,130
WHM-187	1.875	2.008	.158	.062	1.989	.068	7,560	15,340
WHM-193	1.938	2.075	.158	.062	2.056	.068	8,080	15,850
WHM-200	2.000	2.142	.158	.062	2.122	.068	8,620	16,360
WHM-206	2.062	2.201	.168	.078	2.186	.086	9,040	21,220
WHM-212	2.125	2.267	.168	.078	2.251	.086	9,460	21,870
WHM-218	2.188	2.334	.168	.078	2.318	.086	10,050	22,520
WHM-225	2.250	2.399	.168	.078	2.382	.086	10,500	23,160
WHM-231	2.312	2.467	.200	.078	2.450	.086	11,280	23,800
WHM-237	2.375	2.535	.200	.078	2.517	.086	11,920	24,440
WHM-244	2.440	2.602	.200	.078	2.584	.086	12,420	25,110
WHM-250	2.500	2.667	.200	.078	2.648	.086	13,080	25,730
WHM-253	2.531	2.700	.200	.078	2.681	.086	13,420	26,050
WHM-256	2.562	2.733	.225	.093	2.714	.103	13,760	29,940
WHM-262	2.625	2.801	.225	.093	2.781	.103	14,470	30,680
WHM-268	2.688	2.868	.225	.093	2.848	.103	15,200	31,410
WHM-275	2.750	2.934	.225	.093	2.914	.103	15,940	32,140
WHM-281	2.813	3.001	.225	.093	2.980	.103	16,700	32,880

¹ Add suffix "-S02" for 302 stainless steel, "-S16" for 316 stainless steel.
² Based on a groove material yield strength of 45,000 psi and a safety factor of 2.

³ Based on a safety factor of 3.
⁴ See pages 132-133 for How to Order.
⁵ No removal notch.
⁶ Square edge wire.

Smalley Part Number ^{1,4}	Housing Diameter	Ring			Groove		Thrust Capacity	
		Outside Diameter	Radial Wall	Thickness	Diameter	Width	Groove Yield (lb) ²	Ring Shear (lb) ³
WHM-283	2.834	3.027	.225	.093	3.006	.103	17,230	33,120
WHM-287	2.875	3.072	.225	.093	3.051	.103	17,880	33,600
WHM-300	3.000	3.204	.225	.093	3.182	.103	18,300	35,060
WHM-306	3.062	3.271	.281	.111	3.248	.120	20,130	42,710
WHM-312	3.125	3.338	.281	.111	3.315	.120	20,990	43,590
WHM-315	3.157	3.371	.281	.111	3.348	.120	21,420	44,040
WHM-325	3.250	3.470	.281	.111	3.446	.120	22,510	45,330
WHM-334	3.346	3.571	.281	.111	3.546	.120	23,650	46,670
WHM-347	3.464	3.701	.281	.111	3.675	.120	25,710	48,320
WHM-350	3.500	3.736	.281	.111	3.710	.120	25,980	48,820
WHM-354	3.543	3.781	.281	.111	3.755	.120	26,550	49,420
WHM-356	3.562	3.802	.281	.111	3.776	.120	26,940	49,690
WHM-362	3.625	3.868	.281	.111	3.841	.120	27,670	50,560
WHM-375	3.750	4.002	.312	.111	3.974	.120	29,690	52,310
WHM-387	3.875	4.136	.312	.111	4.107	.120	31,770	54,050
WHM-393	3.938	4.203	.312	.111	4.174	.120	32,850	54,930
WHM-400	4.000	4.270	.312	.111	4.240	.120	33,930	55,800
WHM-412	4.125	4.369	.312	.111	4.339	.120	34,990	57,540
WHM-425	4.250	4.501	.312	.111	4.470	.120	36,050	59,280
WHM-433	4.330	4.588	.312	.111	4.556	.120	36,730	60,400
WHM-450	4.500	4.768	.312	.111	4.735	.120	38,170	62,770
WHM-462	4.625	4.899	.312	.111	4.865	.120	39,230	64,510
WHM-475	4.750	5.030	.312	.111	4.995	.120	41,300	66,260
WHM-500	5.000	5.297	.312	.111	5.260	.120	45,950	69,740
WHM-525	5.250	5.559	.350	.127	5.520	.139	50,100	83,790
WHM-537	5.375	5.690	.350	.127	5.650	.139	51,290	85,780
WHM-550	5.500	5.810	.350	.127	5.770	.139	52,480	87,780
WHM-575	5.750	6.062	.350	.127	6.020	.139	54,870	91,770
WHM-600	6.000	6.314	.350	.127	6.270	.139	57,260	95,760
WHM-625	6.250	6.576	.380	.156	6.530	.174	61,850	122,520
WHM-650	6.500	6.838	.380	.156	6.790	.174	66,620	127,420
WHM-662	6.625	6.974	.380	.156	6.925	.174	70,240	129,870
WHM-675	6.750	7.105	.380	.156	7.055	.174	73,000	132,320
WHM-700	7.000	7.366	.380	.156	7.315	.174	78,180	137,230
WHM-725	7.250	7.628	.418	.187	7.575	.209	83,530	170,370
WHM-750	7.500	7.895	.418	.187	7.840	.209	90,120	176,240
WHM-775	7.750	8.157	.418	.187	8.100	.209	95,870	182,120
WHM-800	8.000	8.419	.418	.187	8.360	.209	101,790	187,990
WHM-825	8.250	8.680	.437	.187	8.620	.209	107,880	193,870
WHM-850	8.500	8.942	.437	.187	8.880	.209	114,160	199,740
WHM-875	8.750	9.209	.437	.187	9.145	.209	122,460	205,620
WHM-900	9.000	9.471	.437	.187	9.405	.209	129,140	211,490
WHM-925	9.250	9.737	.437	.187	9.669	.209	137,310	217,370
WHM-950	9.500	10.000	.500	.187	9.930	.209	144,380	223,240
WHM-975	9.750	10.260	.500	.187	10.189	.209	150,620	229,120
WHM-1000	10.000	10.523	.500	.187	10.450	.209	159,040	234,990
WHM-1025	10.250	10.786	.500	.187	10.711	.209	167,370	240,870
WHM-1050	10.500	11.047	.500	.187	10.970	.209	174,420	246,740
WHM-1075	10.750	11.313	.500	.187	11.234	.209	183,890	252,620
WHM-1100	11.000	11.575	.500	.187	11.495	.209	192,830	258,490
WHM-1125	11.250	11.838	.500	.187	11.756	.209	201,190	264,370
WHM-1150	11.500	12.102	.562	.187	12.018	.209	210,540	270,240
WHM-1175	11.750	12.365	.562	.187	12.279	.209	220,100	276,120
WHM-1200	12.000	12.628	.562	.187	12.540	.209	229,020	281,990
WHM-1225	12.250	12.891	.562	.187	12.801	.209	238,990	287,860
WHM-1250	12.500	13.154	.562	.187	13.063	.209	249,170	293,740
WHM-1275	12.750	13.417	.562	.187	13.324	.209	258,660	299,610
WHM-1300	13.000	13.680	.662	.187	13.585	.209	269,240	305,490
WHM-1325	13.250	13.943	.662	.187	13.846	.209	279,100	311,360
WHM-1350	13.500	14.207	.662	.187	14.108	.209	290,100	317,240
WHM-1375	13.750	14.470	.662	.187	14.369	.209	301,300	323,110
WHM-1400	14.000	14.732	.662	.187	14.630	.209	311,730	328,990
WHM-1425	14.250	14.995	.662	.187	14.891	.209	323,340	334,860
WHM-1450	14.500	15.259	.750	.187	15.153	.209	335,160	340,740
WHM-1475	14.750	15.522	.750	.187	15.414	.209	346,150	346,610
WHM-1500	15.000	15.785	.750	.187	15.675	.209	358,380	352,490

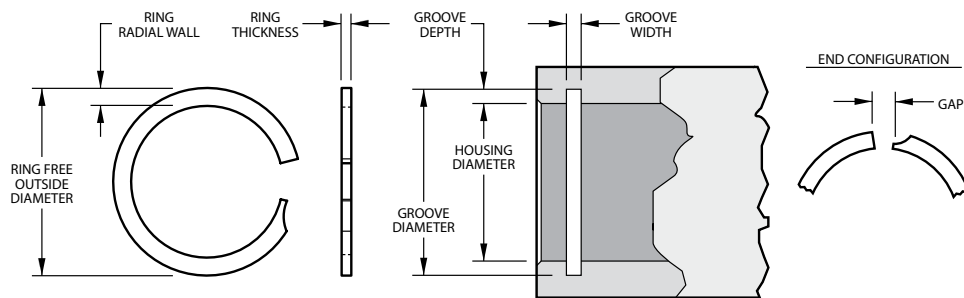
¹ Add suffix "-S02" for 302 stainless steel, "-S16" for 316 stainless steel.

² Based on a groove material yield strength of 45,000 psi and a safety factor of 2.

³ Based on a safety factor of 3.

⁴ See pages 132-133 for How to Order.

FHE Series - Constant Section Rings



Product Dimensions All dimensions in inches unless otherwise specified.

Smalley Part Number ^{1, 4, 5}	Housing Diameter	Ring			Groove		Thrust Capacity	
		Outside Diameter	Radial Wall	Thickness	Diameter	Width	Groove Yield (lb) ²	Ring Shear (lb) ³
FHE-0050	.500	.529	.055	.037	.524	.043	424	2,325
FHE-0056	.562	.591	.055	.037	.586	.043	477	2,613
FHE-0062	.625	.665	.065	.037	.657	.043	707	2,906
FHE-0068	.687	.726	.065	.037	.719	.043	777	3,194
FHE-0075	.750	.797	.075	.037	.790	.043	1,060	3,487
FHE-0081	.812	.860	.075	.037	.852	.043	1,148	3,775
FHE-0087	.875	.924	.075	.037	.915	.043	1,237	4,068
FHE-0093	.937	1.000	.085	.045	.985	.051	1,590	5,334
FHE-0100	1.000	1.058	.085	.045	1.048	.051	1,696	5,693
FHE-0106	1.062	1.121	.094	.045	1.110	.051	1,802	6,045
FHE-0112	1.125	1.192	.094	.045	1.181	.051	2,227	6,404
FHE-0118	1.187	1.252	.094	.045	1.243	.051	2,349	6,757
FHE-0125	1.250	1.336	.094	.045	1.316	.051	2,916	7,116
FHE-0131	1.312	1.391	.094	.045	1.378	.051	3,060	7,469
FHE-0137	1.375	1.470	.128	.057	1.453	.063	3,791	9,307
FHE-0143	1.437	1.529	.128	.057	1.515	.063	3,961	9,727
FHE-0150	1.500	1.592	.128	.057	1.578	.063	4,135	10,153
FHE-0156	1.562	1.687	.158	.067	1.666	.073	5,741	12,400
FHE-0162	1.625	1.746	.158	.067	1.729	.073	5,973	12,901
FHE-0168	1.687	1.808	.158	.067	1.791	.073	6,201	13,393
FHE-0175	1.750	1.885	.158	.067	1.862	.073	6,927	13,893
FHE-0181	1.812	1.942	.158	.067	1.924	.073	7,173	14,385
FHE-0187	1.875	2.007	.158	.067	1.987	.073	7,422	14,885
FHE-0193	1.937	2.074	.200	.076	2.055	.085	8,078	16,649
FHE-0200	2.000	2.143	.200	.076	2.118	.085	8,341	17,191
FHE-0206	2.062	2.200	.200	.076	2.180	.085	8,599	17,724
FHE-0212	2.125	2.264	.200	.076	2.243	.085	8,862	18,265
FHE-0218	2.187	2.327	.200	.076	2.305	.085	9,121	18,798
FHE-0225	2.250	2.389	.200	.076	2.368	.085	9,384	19,340
FHE-0231	2.312	2.453	.200	.076	2.430	.085	9,642	19,873
FHE-0237	2.375	2.517	.200	.076	2.493	.085	9,905	20,414
FHE-0243	2.437	2.582	.200	.076	2.555	.085	10,163	20,947
FHE-0250	2.500	2.643	.200	.076	2.618	.085	10,426	21,488
FHE-0256	2.562	2.705	.200	.095	2.680	.104	10,685	26,225
FHE-0262	2.625	2.777	.200	.095	2.743	.104	10,947	26,870
FHE-0268	2.687	2.828	.200	.095	2.805	.104	11,206	27,504
FHE-0275	2.750	2.899	.200	.095	2.868	.104	11,469	28,149
FHE-0281	2.812	2.958	.200	.095	2.930	.104	11,727	28,784
FHE-0287	2.875	3.022	.200	.095	2.993	.104	11,990	29,429
FHE-0293	2.937	3.084	.200	.095	3.055	.104	12,249	30,063
FHE-0300	3.000	3.145	.200	.095	3.118	.104	12,511	30,708
FHE-0306	3.062	3.218	.200	.095	3.184	.104	13,203	31,343
FHE-0312	3.125	3.294	.237	.095	3.263	.104	15,242	31,988
FHE-0318	3.187	3.357	.237	.095	3.325	.104	15,544	32,622
FHE-0325	3.250	3.420	.237	.095	3.388	.104	15,851	33,267

¹ Add suffix "-S02" for 302 stainless steel.

² Based on a groove material yield strength of 45,000 psi and a safety factor of 2.

³ Based on a safety factor of 3.

⁴ See pages 132-133 for How to Order.

⁵ Square edge wire.

Smalley Part Number ^{1, 4, 5}	Housing Diameter	Ring			Groove		Thrust Capacity	
		Outside Diameter	Radial Wall	Thickness	Diameter	Width	Groove Yield (lb) ²	Ring Shear (lb) ³
FHE-0331	3.312	3.483	.248	.115	3.450	.124	16,154	38,952
FHE-0337	3.375	3.547	.248	.115	3.513	.124	16,461	39,693
FHE-0343	3.437	3.609	.248	.115	3.575	.124	16,763	40,422
FHE-0350	3.500	3.673	.248	.115	3.638	.124	17,071	41,163
FHE-0356	3.562	3.728	.248	.115	3.700	.124	17,373	41,892
FHE-0362	3.625	3.799	.248	.115	3.763	.124	17,680	42,633
FHE-0368	3.687	3.862	.248	.115	3.825	.124	17,983	43,362
FHE-0375	3.750	3.922	.248	.115	3.888	.124	18,290	44,103
FHE-0381	3.812	3.988	.248	.115	3.950	.124	18,592	44,832
FHE-0387	3.875	4.044	.248	.115	4.013	.124	18,900	45,573
FHE-0393	3.937	4.114	.248	.115	4.075	.124	19,202	46,302
FHE-0400	4.000	4.223	.265	.153	4.158	.163	22,337	60,283
FHE-0412	4.125	4.329	.265	.153	4.283	.163	23,035	62,166
FHE-0425	4.250	4.452	.265	.153	4.408	.163	23,733	64,050
FHE-0437	4.375	4.576	.265	.153	4.533	.163	24,431	65,934
FHE-0450	4.500	4.703	.265	.153	4.658	.163	25,129	67,818
FHE-0462	4.625	4.829	.265	.153	4.783	.163	25,827	69,702
FHE-0475	4.750	4.945	.265	.153	4.908	.163	26,525	71,585
FHE-0487	4.875	5.082	.265	.153	5.033	.163	27,223	73,469
FHE-0500	5.000	5.207	.265	.153	5.158	.163	27,921	75,353
FHE-0525	5.250	5.460	.265	.153	5.408	.163	29,317	79,121
FHE-0550	5.500	5.719	.265	.153	5.658	.163	30,713	82,888
FHE-0575	5.750	5.965	.265	.153	5.908	.163	32,109	86,656
FHE-0600	6.000	6.256	.316	.153	6.196	.163	41,563	90,424
FHE-0625	6.250	6.508	.316	.153	6.446	.163	43,295	94,191
FHE-0650	6.500	6.760	.316	.153	6.696	.163	45,027	97,959
FHE-0675	6.750	7.013	.316	.153	6.946	.163	46,759	101,727
FHE-0700	7.000	7.266	.316	.153	7.196	.163	48,490	105,494
FHE-0725	7.250	7.541	.316	.153	7.446	.163	50,222	109,262
FHE-0750	7.500	7.762	.316	.153	7.696	.163	51,954	113,030
FHE-0775	7.750	8.023	.316	.153	7.946	.163	53,686	116,797
FHE-0800	8.000	8.276	.316	.153	8.196	.163	55,418	120,565
FHE-0825	8.250	8.580	.373	.192	8.486	.203	68,813	147,399
FHE-0850	8.500	8.821	.373	.192	8.736	.203	70,898	151,866
FHE-0875	8.750	9.073	.373	.192	8.986	.203	72,983	156,332
FHE-0900	9.000	9.326	.373	.192	9.236	.203	75,068	160,799
FHE-0925	9.250	9.580	.373	.192	9.486	.203	77,154	165,265
FHE-0950	9.500	9.831	.373	.192	9.736	.203	79,239	169,732
FHE-0975	9.750	10.083	.373	.192	9.986	.203	81,324	174,199
FHE-1000	10.000	10.414	.435	.192	10.314	.203	110,977	178,665
FHE-1025	10.250	10.660	.435	.192	10.564	.203	113,751	183,132
FHE-1050	10.500	10.919	.435	.192	10.814	.203	116,526	187,599
FHE-1075	10.750	11.171	.435	.192	11.064	.203	119,300	192,065
FHE-1100	11.000	11.440	.435	.192	11.314	.203	122,074	196,532

¹ Add suffix "-S02" for 302 stainless steel.

² Based on a groove material yield strength of 45,000 psi and a safety factor of 2.

³ Based on a safety factor of 3.

⁴ See pages 132-133 for How to Order.

⁵ Square edge wire.

Request FREE samples

Get free samples of any standard catalog item at www.smalley.com/samples.

Or use form on page 131 of this catalog. Requests typically processed within 24 hours.

Get CAD downloads

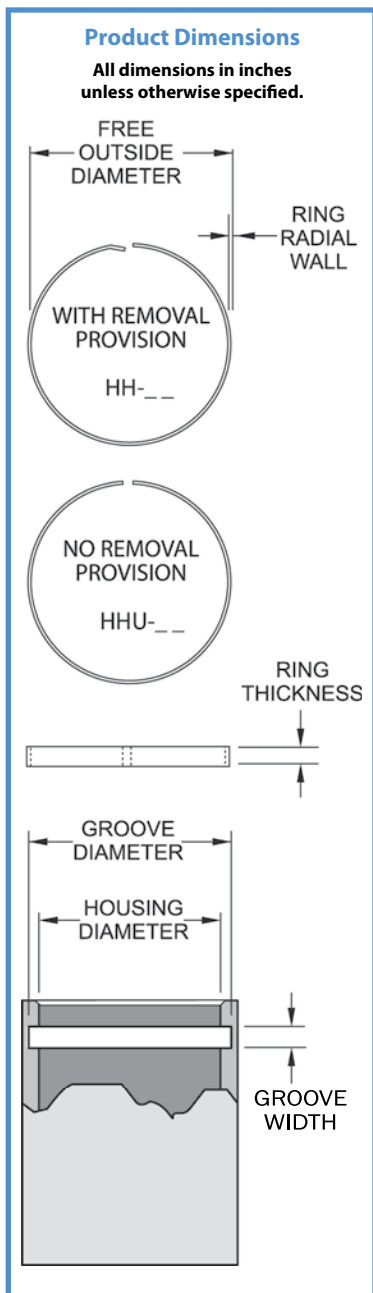
Simplify your design process by downloading CAD models of standard retaining rings and wave springs at www.smalley.com/cad-models.

HH/HHU Series - Hoopster® Rings



Stock Items available in carbon steel and 302 stainless steel.

Internal Hoopster Retaining Rings are difficult to remove from the groove without a removal provision. We offer either a bent end for removal or no removal provision as shown to the left.



Smalley Part Number ^{1, 2, 4, 6}	Housing Diameter	Ring			Groove		Groove Yield (lb) ³
		Outside Diameter	Radial Wall	Thickness	Diameter ⁵	Width	
HH-37	.375	.400	.017	.045	.392	.050	225
HH-43	.437	.463	.017	.045	.454	.050	263
HH-46	.469	.495	.017	.045	.486	.050	282
HH-50	.500	.531	.021	.065	.521	.070	371
HH-53	.531	.563	.021	.065	.552	.070	394
HH-56	.562	.594	.021	.065	.583	.070	417
HH-59	.594	.627	.021	.065	.615	.070	441
HH-62	.625	.659	.021	.065	.646	.070	464
HH-65	.656	.690	.021	.065	.677	.070	487
HH-68	.688	.723	.021	.065	.709	.070	511
HH-71	.718	.756	.024	.088	.742	.093	609
HH-75	.750	.789	.024	.088	.774	.093	636
HH-78	.781	.821	.024	.088	.805	.093	662
HH-81	.812	.852	.024	.088	.836	.093	689
HH-84	.843	.884	.024	.088	.867	.093	715
HH-87	.875	.917	.024	.088	.899	.093	742
HH-90	.906	.948	.024	.088	.930	.093	768
HH-93	.938	.981	.024	.088	.962	.093	796
HH-96	.968	1.011	.024	.088	.992	.093	821
HH-100	1.000	1.044	.024	.088	1.024	.093	848
HH-103	1.031	1.082	.030	.118	1.061	.123	1,093
HH-106	1.062	1.113	.030	.118	1.092	.123	1,126
HH-109	1.093	1.145	.030	.118	1.123	.123	1,159
HH-112	1.125	1.178	.030	.118	1.155	.123	1,193
HH-115	1.156	1.209	.030	.118	1.186	.123	1,226
HH-118	1.188	1.242	.030	.118	1.218	.123	1,260
HH-121	1.218	1.272	.030	.118	1.248	.123	1,291
HH-125	1.250	1.305	.030	.118	1.280	.123	1,325
HH-128	1.281	1.337	.030	.118	1.311	.123	1,358
HH-131	1.312	1.372	.034	.150	1.346	.155	1,577
HH-134	1.343	1.404	.034	.150	1.377	.155	1,614
HH-137	1.375	1.437	.034	.150	1.409	.155	1,652
HH-140	1.406	1.468	.034	.150	1.440	.155	1,690
HH-143	1.437	1.500	.034	.150	1.471	.155	1,727
HH-146	1.468	1.531	.034	.150	1.502	.155	1,765
HH-150	1.500	1.564	.034	.150	1.534	.155	1,802
HH-156	1.562	1.627	.034	.150	1.596	.155	1,877
HH-162	1.625	1.692	.034	.150	1.659	.155	1,953
HH-168	1.688	1.755	.034	.150	1.721	.155	2,028
HH-175	1.750	1.823	.038	.187	1.788	.193	2,350
HH-181	1.812	1.887	.038	.187	1.851	.193	2,434
HH-187	1.875	1.951	.038	.187	1.913	.193	2,518
HH-193	1.938	2.015	.038	.187	1.976	.193	2,603
HH-200	2.000	2.078	.038	.187	2.038	.193	2,686
HH-206	2.062	2.141	.038	.187	2.100	.193	2,769
HH-212	2.125	2.206	.038	.187	2.163	.193	2,854
HH-218	2.188	2.270	.038	.187	2.226	.193	2,939
HH-225	2.250	2.333	.038	.187	2.288	.193	3,022
HH-231	2.312	2.396	.038	.187	2.350	.193	3,105
HH-237	2.375	2.461	.038	.187	2.413	.193	3,190
HH-243	2.437	2.531	.045	.225	2.482	.232	3,876
HH-250	2.500	2.595	.045	.225	2.545	.232	3,976
HH-256	2.562	2.658	.045	.225	2.607	.232	4,075
HH-262	2.625	2.723	.045	.225	2.670	.232	4,175
HH-268	2.688	2.787	.045	.225	2.733	.232	4,275
HH-275	2.750	2.850	.045	.225	2.795	.232	4,374
HH-281	2.812	2.914	.045	.225	2.858	.232	4,472
HH-287	2.875	2.978	.045	.225	2.920	.232	4,572
HH-293	2.938	3.041	.045	.225	2.982	.232	4,673
HH-300	3.000	3.105	.045	.225	3.045	.232	4,771

¹ Use "HH" prefix for removal provision end. Use "HHU" prefix for no removal provision.

² Add suffix "-S02" for 302 stainless steel.

³ Based on a groove material yield strength of 45,000 psi and a safety factor of 2.

⁴ See pages 132-133 for How to Order.

⁵ Sharp corners on the groove required, see page 127 for more information.

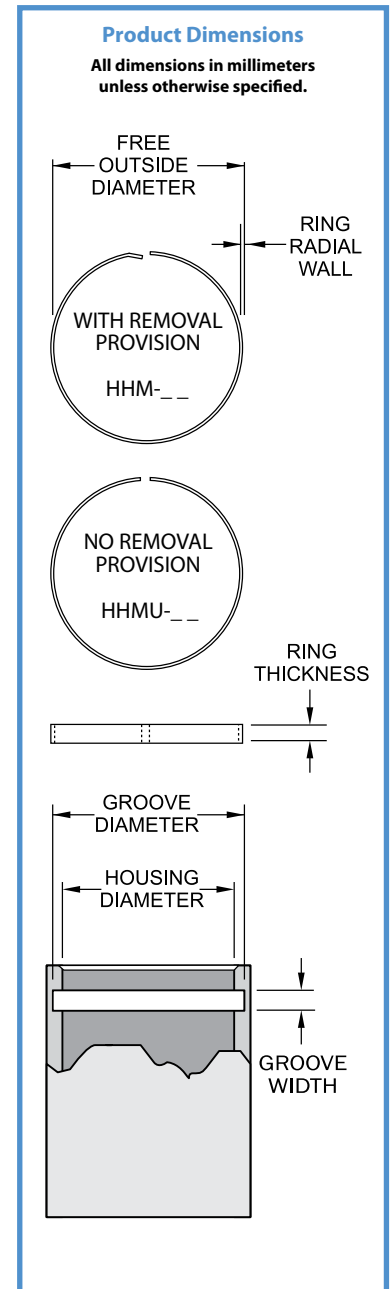
⁶ Square edge wire.

Internal Hoopster Retaining Rings are difficult to remove from the groove without a removal provision.
We offer either a bent end for removal or no removal provision as shown to the left.



Stock Items available in carbon steel and 302 stainless steel.

Smalley Part Number ^{1, 2, 4, 6}	Housing Diameter	Ring			Groove		Groove Yield (N) ³
		Outside Diameter	Radial Wall	Thickness	Diameter ⁵	Width	
HHM-10	10	10.63	.43	1.14	10.43	1.27	1,052
HHM-11	11	11.65	.43	1.14	11.43	1.27	1,157
HHM-12	12	12.67	.43	1.14	12.43	1.27	1,263
HHM-13	13	13.79	.53	1.65	13.53	1.78	1,690
HHM-14	14	14.81	.53	1.65	14.53	1.78	1,820
HHM-15	15	15.83	.53	1.65	15.53	1.78	1,950
HHM-16	16	16.85	.53	1.65	16.53	1.78	2,080
HHM-17	17	17.87	.53	1.65	17.53	1.78	2,210
HHM-18	18	18.97	.61	2.24	18.61	2.36	2,674
HHM-19	19	19.99	.61	2.24	19.61	2.36	2,822
HHM-20	20	21.01	.61	2.24	20.61	2.36	2,971
HHM-21	21	22.03	.61	2.24	21.61	2.36	3,119
HHM-22	22	23.05	.61	2.24	22.61	2.36	3,268
HHM-23	23	24.07	.61	2.24	23.61	2.36	3,417
HHM-24	24	25.09	.61	2.24	24.61	2.36	3,565
HHM-25	25	26.11	.61	2.24	25.61	2.36	3,714
HHM-26	26	27.28	.76	3.00	26.76	3.12	4,828
HHM-27	27	28.30	.76	3.00	27.76	3.12	5,013
HHM-28	28	29.32	.76	3.00	28.76	3.12	5,199
HHM-29	29	30.34	.76	3.00	29.76	3.12	5,385
HHM-30	30	31.36	.76	3.00	30.76	3.12	5,570
HHM-31	31	32.38	.76	3.00	31.76	3.12	5,756
HHM-32	32	33.40	.76	3.00	32.76	3.12	5,942
HHM-33	33	34.52	.86	3.81	33.86	3.94	6,945
HHM-34	34	35.54	.86	3.81	34.86	3.94	7,155
HHM-35	35	36.56	.86	3.81	35.86	3.94	7,365
HHM-36	36	37.58	.86	3.81	36.86	3.94	7,576
HHM-37	37	38.60	.86	3.81	37.86	3.94	7,786
HHM-38	38	39.62	.86	3.81	38.86	3.94	7,997
HHM-40	40	41.66	.86	3.81	40.86	3.94	8,418
HHM-41	41	42.68	.86	3.81	41.86	3.94	8,628
HHM-42	42	43.70	.86	3.81	42.86	3.94	8,838
HHM-45	45	46.87	.97	4.75	45.97	4.88	10,584
HHM-47	47	48.91	.97	4.75	47.97	4.88	11,054
HHM-48	48	49.93	.97	4.75	48.97	4.88	11,289
HHM-50	50	51.97	.97	4.75	50.97	4.88	11,760
HHM-51	51	52.99	.97	4.75	51.97	4.88	11,995
HHM-52	52	54.01	.97	4.75	52.97	4.88	12,230
HHM-55	55	57.07	.97	4.75	55.97	4.90	12,936
HHM-56	56	58.09	.97	4.75	56.97	4.90	13,171
HHM-57	57	59.11	.97	4.75	57.97	4.90	13,406
HHM-58	58	60.13	.97	4.75	58.97	4.90	13,641
HHM-60	60	62.17	.97	4.75	60.97	4.90	14,112
HHM-62	62	64.38	1.14	5.72	63.14	5.87	17,268
HHM-63	63	65.40	1.14	5.72	64.14	5.87	17,547
HHM-64	64	66.42	1.14	5.72	65.14	5.87	17,826
HHM-65	65	67.44	1.14	5.72	66.14	5.87	18,104
HHM-67	67	69.48	1.14	5.72	68.14	5.87	18,661
HHM-68	68	70.50	1.14	5.72	69.14	5.87	18,940
HHM-70	70	72.54	1.14	5.72	71.14	5.87	19,497
HHM-72	72	74.58	1.14	5.72	73.14	5.87	20,054
HHM-75	75	77.64	1.14	5.72	76.14	5.87	20,889
HHM-76	76	78.66	1.14	5.72	77.14	5.87	21,168



¹ Use "HHM" prefix for removal provision end. Use "HHMU" prefix for no removal provision.

² Add suffix "-S02" for 302 stainless steel.

³ Based on a groove material yield strength of 310 N/mm² and a safety factor of 2

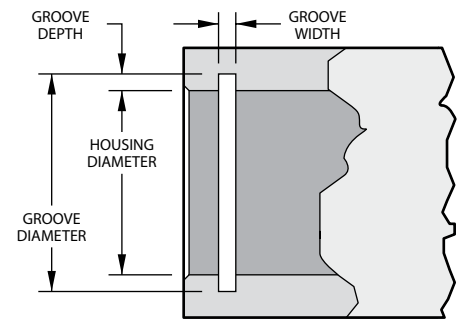
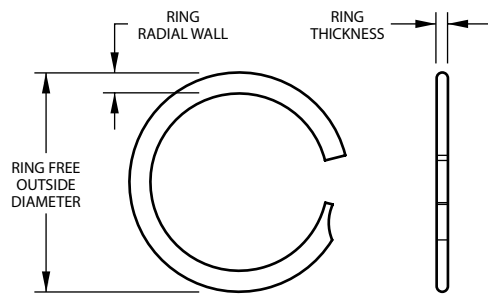
⁴ See pages 132-133 for How to Order.

⁵ Sharp corners on the groove required, see page 127 for more information.

⁶ Square edge wire.

VHM Series - Metric Light Duty Rings

SPIROLOX RINGS EXCLUSIVELY FROM SMALLEY



Product Dimensions All dimensions in millimeters unless otherwise specified.

Smalley Part Number ^{1,4}	Housing Diameter	Ring			Groove		Thrust Capacity	
		Outside Diameter	Radial Wall	Thickness	Diameter	Width	Groove Yield (N) ²	Ring Shear (N) ³
VHM-6 ^{5,6}	6.00	6.35	.51	.30	6.30	.38	439	1,988
VHM-7 ^{5,6}	7.00	7.38	.51	.30	7.32	.38	546	2,320
VHM-8 ^{5,6}	8.00	8.44	.64	.38	8.36	.46	702	3,183
VHM-9 ^{5,6}	9.00	9.54	.76	.38	9.46	.46	1,003	3,580
VHM-10 ^{5,6}	10.00	10.58	.76	.38	10.50	.46	1,238	3,978
VHM-11 ^{5,6}	11.00	11.68	.89	.38	11.60	.46	1,634	4,388
VHM-12 ⁶	12.00	12.74	.89	.38	12.66	.46	1,930	4,774
VHM-13	13.00	13.80	1.14	.46	13.72	.56	2,281	6,261
VHM-14	14.00	14.80	1.14	.46	14.72	.56	2,456	6,742
VHM-15	15.00	15.80	1.14	.46	15.72	.56	2,632	7,224
VHM-16	16.00	16.80	1.14	.46	16.72	.56	2,807	7,705
VHM-17	17.00	17.82	1.14	.46	17.72	.56	2,983	8,187
VHM-18	18.00	18.82	1.14	.46	18.72	.56	3,158	8,669
VHM-19	19.00	19.86	1.14	.46	19.76	.56	3,519	9,150
VHM-20	20.00	21.26	1.65	.53	21.06	.66	5,166	11,097
VHM-21	21.00	22.27	1.65	.53	22.06	.66	5,424	11,652
VHM-22	22.00	23.28	1.65	.53	23.06	.66	5,683	12,207
VHM-24	24.00	25.29	1.65	.53	25.06	.66	6,199	13,317
VHM-25	25.00	26.30	1.65	.53	26.06	.66	6,458	13,872
VHM-26	26.00	27.31	1.65	.53	27.06	.66	6,716	14,427
VHM-28	28.00	29.40	2.24	.64	29.12	.79	7,642	16,303
VHM-29	29.00	30.41	2.24	.64	30.12	.79	7,915	16,885
VHM-30	30.00	31.42	2.24	.64	31.12	.79	8,188	17,467
VHM-31	31.00	32.43	2.24	.64	32.12	.79	8,461	18,049
VHM-32	32.00	33.44	2.24	.64	33.12	.79	8,734	18,632
VHM-34	34.00	35.45	2.24	.64	35.12	.79	9,279	19,796
VHM-35	35.00	36.47	2.24	.64	36.12	.79	9,552	20,378
VHM-36	36.00	37.48	2.24	.64	37.12	.79	9,825	20,960
VHM-37	37.00	38.49	2.24	.64	38.12	.79	10,098	21,543
VHM-38	38.00	39.50	2.24	.64	39.12	.79	10,371	22,125
VHM-40	40.00	41.94	3.00	.79	41.48	.99	14,426	28,748
VHM-42	42.00	43.96	3.00	.79	43.48	.99	15,147	30,185
VHM-45	45.00	46.99	3.00	.79	46.48	.99	16,229	32,341
VHM-47	47.00	49.00	3.00	.79	48.48	.99	16,950	33,779
VHM-48	48.00	50.01	3.00	.79	49.48	.99	17,311	34,497
VHM-50	50.00	52.04	3.00	.79	51.48	.99	18,032	35,935
VHM-52	52.00	54.55	4.01	.79	53.94	.99	24,583	37,372
VHM-55	55.00	57.57	4.01	.79	56.94	.99	26,001	39,528
VHM-56	56.00	58.58	4.01	.79	57.94	.99	26,473	40,247
VHM-58	58.00	60.60	4.01	.79	59.94	.99	27,419	41,684
VHM-60	60.00	62.64	4.01	.79	61.94	.99	28,364	43,122
VHM-62	62.00	64.67	4.01	.79	63.94	.99	29,310	44,559
VHM-63	63.00	65.69	4.01	.79	64.94	.99	29,783	45,278
VHM-65	65.00	67.70	4.01	.79	66.94	.99	30,728	46,715
VHM-68	68.00	70.72	4.01	.79	69.94	.99	32,146	48,871
VHM-70	70.00	72.74	4.01	.79	71.94	.99	33,092	50,309
VHM-72	72.00	74.77	4.01	.79	73.94	.99	34,037	51,746
VHM-75	75.00	77.80	4.01	.79	76.94	.99	35,456	53,902

¹ Add suffix "-S02" for 302 stainless steel. Add suffix "-S16" for 316 stainless steel.

² Based on a groove material yield strength of 310 N/mm² and a safety factor of 2.

³ Based on a safety factor of 3.

⁴ See pages 132-133 for How to Order.

⁵ No removal notch.

⁶ Square edge wire.

Smalley Part Number ^{1,4}	Housing Diameter	Ring			Groove		Thrust Capacity	
		Outside Diameter	Radial Wall	Thickness	Diameter	Width	Groove Yield (N) ²	Ring Shear (N) ³
VHM-78	78.00	81.20	4.78	.99	80.34	1.12	44,477	70,250
VHM-80	80.00	83.23	4.78	.99	82.34	1.12	45,617	72,052
VHM-82	82.00	85.25	4.78	.99	84.34	1.12	46,757	73,853
VHM-85	85.00	88.29	4.78	.99	87.34	1.12	48,468	76,555
VHM-88	88.00	91.32	4.78	.99	90.34	1.12	50,179	79,257
VHM-90	90.00	93.36	4.78	.99	92.34	1.12	51,319	81,058
VHM-92	92.00	95.37	4.78	.99	94.34	1.12	52,460	82,859
VHM-95	95.00	98.39	4.78	.99	97.34	1.12	54,170	85,561
VHM-98	98.00	101.41	4.78	.99	100.34	1.12	55,881	88,263
VHM-100	100.00	103.43	4.78	.99	102.34	1.12	57,021	90,064
VHM-102	102.00	105.44	4.78	.99	104.34	1.12	58,162	91,866
VHM-105	105.00	108.92	5.72	1.17	107.80	1.32	71,642	106,440
VHM-110	110.00	113.98	5.72	1.17	112.80	1.32	75,054	111,508
VHM-112	112.00	116.01	5.72	1.17	114.80	1.32	76,418	113,536
VHM-115	115.00	119.12	5.72	1.17	117.88	1.32	80,707	116,577
VHM-120	120.00	124.30	5.72	1.17	123.00	1.32	87,725	121,645
VHM-125	125.00	129.47	5.72	1.17	128.12	1.32	95,036	126,714
VHM-130	130.00	134.66	5.72	1.17	133.26	1.32	103,272	131,783
VHM-135	135.00	139.83	5.72	1.55	138.38	1.70	111,192	181,299
VHM-140	140.00	145.00	5.72	1.55	143.50	1.70	119,404	188,013
VHM-145	145.00	150.17	5.72	1.55	148.62	1.70	127,974	194,907
VHM-150	150.00	155.30	6.73	1.55	153.76	1.70	137,436	201,443
VHM-155	155.00	160.46	6.73	1.55	158.88	1.70	146,361	208,158
VHM-160	160.00	165.64	6.73	1.55	164.00	1.70	155,956	214,872
VHM-165	165.00	170.82	6.73	1.55	169.13	1.70	165,855	221,587
VHM-170	170.00	175.99	6.73	1.55	174.25	1.70	176,059	228,302
VHM-175	175.00	181.17	6.73	1.55	179.38	1.70	186,568	235,017
VHM-180	180.00	186.35	6.73	1.55	184.50	1.70	197,381	241,731
VHM-185	185.00	191.52	6.73	1.55	189.63	1.70	208,499	248,446
VHM-190	190.00	196.70	6.73	1.55	194.75	1.70	219,922	255,161
VHM-195	195.00	201.87	7.62	1.55	199.88	1.70	231,649	261,876
VHM-200	200.00	207.05	7.62	1.55	205.00	1.70	243,681	268,590
VHM-210	210.00	217.40	7.62	1.55	215.25	1.70	268,658	282,020
VHM-220	220.00	227.76	8.76	1.93	225.50	2.08	294,854	367,882
VHM-230	230.00	238.11	8.76	1.93	235.75	2.08	322,268	384,604
VHM-240	240.00	248.46	8.76	1.93	246.00	2.08	350,900	401,326
VHM-250	250.00	258.81	8.76	1.93	256.25	2.08	380,751	418,048
VHM-260	260.00	269.17	9.65	1.93	266.50	2.08	411,821	434,770
VHM-270	270.00	279.52	9.65	1.93	276.75	2.08	444,108	451,492
VHM-280	280.00	289.87	9.65	1.93	287.00	2.08	477,614	468,214
VHM-290	290.00	300.22	9.65	1.93	297.25	2.08	512,339	484,936
VHM-300	300.00	310.58	9.65	1.93	307.50	2.08	548,282	501,658

¹ Add suffix "-S02" for 302 stainless steel. Add suffix "-S16" for 316 stainless steel.

² Based on a groove material yield strength of 310 N/mm² and a safety factor of 2.

³ Based on a safety factor of 3.

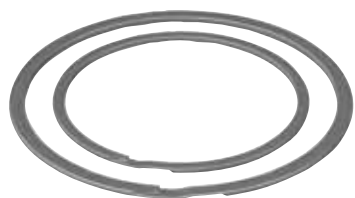
⁴ See pages 132-133 for How to Order.

Get CAD downloads

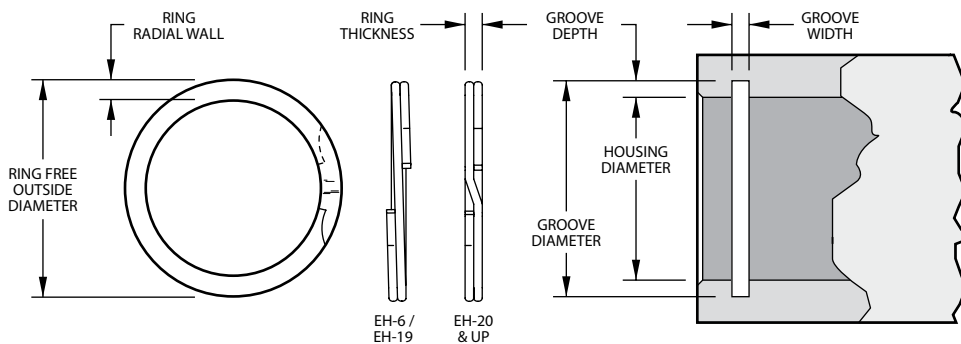
Simplify your design process by downloading CAD models of standard retaining rings and wave springs at www.smalley.com/cad-models.

EH Series - Metric Aerospace Rings

SPIROLOX RINGS EXCLUSIVELY FROM SMALLEY



MA 4017⁵



Product Dimensions All dimensions in millimeters unless otherwise specified.

Smalley Part Number ^{1,4}	Housing Diameter	Ring			Groove		Thrust Capacity	
		Outside Diameter	Radial Wall	Thickness	Diameter	Width	Groove Yield (N) ²	Ring Shear (N) ³
EH-6 ^{6,7}	6.00	6.35	.33 - .53	.38	6.30	.51	440	1,880
EH-7 ^{6,7}	7.00	7.37	.33 - .53	.38	7.32	.51	550	2,190
EH-8 ^{6,7}	8.00	8.51	.51 - .71	.38	8.43	.51	840	2,500
EH-9 ^{6,7}	9.00	9.60	.64 - .84	.64	9.50	.74	1,100	4,740
EH-10 ^{6,7}	10.00	10.62	.64 - .84	.64	10.52	.74	1,270	5,270
EH-11 ⁷	11.00	11.79	.76 - .96	.64	11.71	.74	1,900	5,790
EH-12	12.00	12.89	1.02 - 1.22	.60	12.70	.70	2,050	7,950
EH-13	13.00	13.95	1.02 - 1.22	.89	13.75	1.00	2,410	12,110
EH-14	14.00	15.07	1.27 - 1.47	.89	14.85	1.00	2,930	13,040
EH-15	15.00	16.14	1.27 - 1.47	.89	15.90	1.00	3,290	13,970
EH-16	16.00	17.15	1.27 - 1.47	.89	16.95	1.00	3,740	14,900
EH-17	17.00	18.32	1.52 - 1.73	.89	18.05	1.00	4,390	15,830
EH-18	18.00	19.39	1.52 - 1.73	.89	19.10	1.00	4,820	16,760
EH-19	19.00	20.48	1.52 - 1.73	.89	20.17	1.00	5,460	17,690
EH-20	20.00	21.51	1.78 - 1.98	.89	21.22	1.00	5,940	18,620
EH-21	21.00	22.56	1.78 - 1.98	.89	22.27	1.00	6,550	19,550
EH-22	22.00	23.65	1.78 - 1.98	1.07	23.37	1.20	7,390	24,630
EH-23	23.00	24.69	2.03 - 2.24	1.07	24.42	1.20	7,950	25,750
EH-24	24.00	25.73	2.03 - 2.24	1.07	25.47	1.20	8,650	26,870
EH-25	25.00	27.03	2.03 - 2.24	1.07	26.67	1.20	10,230	27,990
EH-26	26.00	28.07	2.03 - 2.24	1.07	27.77	1.20	11,270	29,110
EH-27	27.00	29.11	2.49 - 2.69	1.27	28.87	1.40	12,360	31,170
EH-28	28.00	30.10	2.49 - 2.69	1.27	29.87	1.40	12,820	32,330
EH-29	29.00	31.21	2.49 - 2.69	1.27	30.95	1.40	13,840	33,480
EH-30	30.00	32.28	2.49 - 2.69	1.27	32.00	1.40	14,610	34,640
EH-31	31.00	33.32	2.49 - 2.69	1.27	33.05	1.40	15,550	35,790
EH-32	32.00	34.23	2.49 - 2.69	1.27	34.00	1.40	15,880	36,950
EH-34	34.00	36.46	2.87 - 3.07	1.27	36.20	1.40	18,210	39,260
EH-35	35.00	37.55	2.87 - 3.07	1.27	37.30	1.40	19,600	40,410
EH-36	36.00	38.68	2.87 - 3.07	1.27	38.40	1.40	21,040	41,560
EH-37	37.00	39.60	2.87 - 3.07	1.27	39.40	1.40	21,620	42,720
EH-38	38.00	40.77	2.87 - 3.07	1.27	40.50	1.40	23,130	43,870
EH-40	40.00	42.91	3.12 - 3.33	1.57	42.50	1.75	24,350	57,090
EH-42	42.00	45.01	3.12 - 3.33	1.57	44.60	1.75	26,590	59,950
EH-45	45.00	48.13	3.12 - 3.33	1.57	47.70	1.75	29,590	64,230
EH-46	46.00	49.28	3.12 - 3.33	1.57	48.80	1.75	31,370	65,660
EH-47	47.00	50.32	3.89 - 4.09	1.57	49.90	1.75	33,190	67,080
EH-48	48.00	51.46	3.89 - 4.09	1.57	51.00	1.75	35,070	68,510
EH-50	50.00	53.66	3.89 - 4.09	1.57	53.20	1.75	38,960	71,370
EH-52	52.00	54.30	3.12 - 3.33	1.25	53.79	1.42	22,790	59,090
EH-53	53.00	55.32	3.12 - 3.33	1.25	54.79	1.42	23,230	60,230
EH-55	55.00	57.38	3.38 - 3.58	1.25	56.85	1.42	24,910	62,500
EH-56	56.00	58.40	3.38 - 3.58	1.25	57.85	1.42	25,360	63,640
EH-58	58.00	60.43	3.38 - 3.58	1.25	59.85	1.42	26,270	65,910
EH-59	59.00	61.54	3.38 - 3.58	1.25	60.93	1.42	27,870	67,050
EH-60	60.00	62.57	3.38 - 3.58	1.25	61.99	1.42	29,220	68,180

¹ Add suffix "-S02" for 302 stainless steel, "-S16" for 316 stainless steel.

² Based on a groove material yield strength of 310 N/mm² and a safety factor of 2.

³ Based on a safety factor of 3.

⁴ See pages 132-133 for How to Order.

⁵ Contact Smalley for details/information on how to order parts to be in compliance with this specification.

⁶ No removal notch.

⁷ Square edge wire

Smalley Part Number ^{1,4}	Housing Diameter	Ring			Groove		Thrust Capacity	
		Outside Diameter	Radial Wall	Thickness	Diameter	Width	Groove Yield (N) ²	Ring Shear (N) ³
EH-61	61.00	63.65	3.63 - 3.84	1.25	63.09	1.42	31,190	69,320
EH-62	62.00	64.70	3.63 - 3.84	1.25	64.09	1.42	31,700	70,460
EH-63	63.00	65.70	3.63 - 3.84	1.25	65.09	1.42	32,220	71,590
EH-64	64.00	66.77	3.63 - 3.84	1.25	66.19	1.42	34,290	72,730
EH-65	65.00	67.82	3.63 - 3.84	1.25	67.19	1.42	34,820	73,870
EH-66	66.00	68.80	3.63 - 3.84	1.25	68.19	1.42	35,360	75,000
EH-67	67.00	69.90	3.63 - 3.84	1.25	69.25	1.42	36,870	76,140
EH-68	68.00	70.94	3.89 - 4.09	1.25	70.29	1.42	38,090	77,270
EH-69	69.00	71.94	3.89 - 4.09	1.25	71.29	1.42	38,650	78,410
EH-70	70.00	72.94	3.89 - 4.09	1.25	72.29	1.42	39,210	79,550
EH-71	71.00	73.99	3.89 - 4.09	1.25	73.29	1.42	39,770	80,680
EH-72	72.00	75.04	4.11 - 4.39	1.25	74.39	1.42	40,910	81,510
EH-75	75.00	78.07	4.11 - 4.39	1.25	77.39	1.42	43,830	85,230
EH-78	78.00	81.21	4.11 - 4.39	1.55	80.45	1.73	46,730	109,910
EH-80	80.00	83.22	4.37 - 4.62	1.55	82.49	1.73	48,700	112,730
EH-82	82.00	85.28	4.37 - 4.62	1.55	84.55	1.73	51,120	115,550
EH-85	85.00	88.38	4.62 - 4.88	1.55	87.65	1.73	55,060	119,780
EH-88	88.00	91.45	4.62 - 4.88	1.55	90.69	1.73	57,860	124,000
EH-90	90.00	93.58	4.88 - 5.13	1.55	92.79	1.73	61,370	126,820
EH-92	92.00	95.66	4.88 - 5.13	1.55	94.85	1.73	64,070	129,640
EH-95	95.00	98.69	4.88 - 5.13	1.55	97.85	1.73	66,160	133,870
EH-98	98.00	101.83	5.13 - 5.38	1.55	100.99	1.73	71,590	138,090
EH-100	100.00	103.83	5.13 - 5.38	1.55	102.99	1.73	73,050	140,910
EH-102	102.00	106.00	5.38 - 5.64	1.55	105.15	1.73	78,490	143,730
EH-105	105.00	109.00	5.38 - 5.64	1.55	108.15	1.73	80,800	147,960
EH-108	108.00	112.22	5.64 - 5.89	1.55	111.31	1.73	87,310	152,190
EH-110	110.00	114.25	5.64 - 5.89	1.55	113.31	1.73	88,510	155,000
EH-112	112.00	116.44	5.89 - 6.15	1.55	115.45	1.73	94,370	157,820
EH-115	115.00	119.44	5.89 - 6.15	1.55	118.45	1.73	96,890	162,050
EH-120	120.00	124.54	6.20 - 6.45	1.83	123.55	2.00	104,030	199,640
EH-125	125.00	129.59	6.20 - 6.45	1.83	128.55	2.00	108,360	207,960
EH-130	130.00	134.71	6.20 - 6.45	1.83	133.65	2.00	115,860	216,280
EH-135	135.00	139.74	6.20 - 6.45	1.83	138.62	2.00	119,000	224,600
EH-140	140.00	144.87	6.20 - 6.45	1.83	143.72	2.00	126,820	232,920
EH-145	145.00	150.04	6.20 - 6.45	1.83	148.82	2.00	134,880	241,230
EH-150	150.00	155.07	6.20 - 6.45	1.83	153.82	2.00	139,530	249,550
EH-155	155.00	160.72	7.72 - 8.03	2.18	159.40	2.40	166,080	307,190
EH-160	160.00	165.74	7.72 - 8.03	2.18	164.40	2.40	171,433	317,100
EH-165	165.00	170.77	7.72 - 8.03	2.18	169.40	2.40	176,790	327,010
EH-170	170.00	176.05	7.72 - 8.03	2.18	174.60	2.40	190,430	336,920
EH-175	175.00	181.05	7.72 - 8.03	2.18	179.60	2.40	196,030	346,830
EH-180	180.00	186.38	7.72 - 8.03	2.18	184.88	2.40	213,900	356,740
EH-185	185.00	191.10	7.72 - 8.03	2.18	189.88	2.40	219,840	366,650
EH-190	190.00	196.45	7.72 - 8.03	2.18	194.88	2.40	225,790	376,560
EH-195	195.00	201.74	7.72 - 8.03	2.18	200.14	2.40	244,070	386,460
EH-200	200.00	206.76	7.72 - 8.03	2.18	205.14	2.40	250,330	396,370
EH-210	210.00	217.10	9.32 - 9.63	2.18	215.40	2.40	276,140	416,490
EH-220	220.00	227.40	9.32 - 9.63	2.18	225.64	2.40	257,150	436,010
EH-230	230.00	237.73	9.32 - 9.63	2.18	235.90	2.40	330,450	455,830
EH-240	240.00	247.80	9.32 - 9.63	2.18	245.90	2.40	344,810	475,650
EH-250	250.00	258.10	9.32 - 9.63	2.18	256.16	2.40	375,010	495,470
EH-260	260.00	268.43	9.32 - 9.63	2.18	266.40	2.40	405,210	515,290
EH-270	270.00	278.50	9.32 - 9.63	2.18	276.40	2.40	420,790	535,100
EH-280	280.00	288.82	9.32 - 9.63	2.18	286.66	2.40	454,100	554,920

¹ Add suffix "-S02" for 302 stainless steel, "-S16" for 316 stainless steel.

² Based on a groove material yield strength of 310 N/mm² and a safety factor of 2.

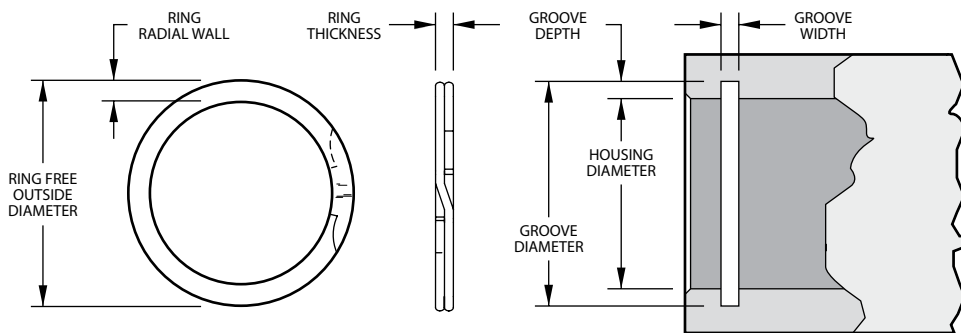
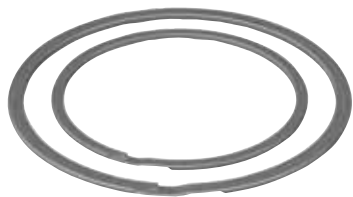
³ Based on a safety factor of 3.

⁴ See pages 132-133 for How to Order.

⁵ Contact Smalley for details/information on how to order parts to be in compliance with this specification.

DNH Series - DIN Metric Rings

SPIROLOX RINGS EXCLUSIVELY FROM SMALLEY



Groove Compatible with DIN 472

Product Dimensions All dimensions in millimeters unless otherwise specified.

Smalley Part Number ^{1,4}	Housing Diameter	Ring			Groove		Thrust Capacity	
		Outside Diameter	Radial Wall	Thickness	Diameter	Width	Groove Yield (N) ²	Ring Shear (N) ³
DNH-13	13.00	13.72	1.40	.99	13.60	1.10	1,901	13,474
DNH-14	14.00	14.75	1.40	.99	14.60	1.10	2,047	14,510
DNH-15	15.00	15.85	1.40	.99	15.70	1.10	2,559	15,547
DNH-16	16.00	16.97	1.65	.99	16.80	1.10	3,119	16,583
DNH-17	17.00	17.98	1.65	.99	17.80	1.10	3,314	17,620
DNH-18	18.00	19.18	1.91	.99	19.00	1.10	4,386	18,656
DNH-19	19.00	20.19	1.91	.99	20.00	1.10	4,630	19,693
DNH-20	20.00	21.21	1.91	.99	21.00	1.10	4,874	20,729
DNH-21	21.00	22.23	1.91	.99	22.00	1.10	5,117	21,766
DNH-22	22.00	23.23	1.91	.99	23.00	1.10	5,361	22,802
DNH-23	23.00	24.33	2.18	1.14	24.10	1.30	6,165	23,853
DNH-24	24.00	25.45	2.18	1.14	25.20	1.30	7,018	24,891
DNH-25	25.00	26.45	2.18	1.14	26.20	1.30	7,310	25,928
DNH-26	26.00	27.48	2.18	1.14	27.20	1.30	7,603	26,965
DNH-27	27.00	28.68	2.41	1.14	28.40	1.30	9,211	28,002
DNH-28	28.00	29.69	2.41	1.14	29.40	1.30	9,552	29,039
DNH-29	29.00	30.71	2.41	1.14	30.40	1.30	9,893	30,076
DNH-30	30.00	31.71	2.41	1.14	31.40	1.30	10,235	31,113
DNH-31	31.00	33.02	2.41	1.14	32.70	1.30	12,842	32,150
DNH-32	32.00	34.04	2.41	1.14	33.70	1.30	13,256	33,187
DNH-33	33.00	35.05	2.41	1.14	34.70	1.30	13,670	34,224
DNH-34	34.00	36.07	3.25	1.44	35.70	1.60	14,085	44,541
DNH-35	35.00	37.38	3.25	1.44	37.00	1.60	17,058	45,851
DNH-36	36.00	38.39	3.25	1.44	38.00	1.60	17,545	47,161
DNH-37	37.00	39.40	3.25	1.44	39.00	1.60	18,032	48,471
DNH-38	38.00	40.41	3.25	1.44	40.00	1.60	18,520	49,781
DNH-40	40.00	42.93	4.01	1.69	42.50	1.85	24,368	61,498
DNH-41	41.00	43.94	4.01	1.69	43.50	1.85	24,977	63,036
DNH-42	42.00	44.96	4.01	1.69	44.50	1.85	25,586	64,573
DNH-45	45.00	47.98	4.01	1.69	47.50	1.85	27,414	69,186
DNH-47	47.00	49.99	4.01	1.69	49.50	1.85	28,633	72,261
DNH-48	48.00	51.00	4.01	1.69	50.50	1.85	29,242	73,798
DNH-50	50.00	53.54	5.08	1.93	53.00	2.15	36,552	87,790
DNH-51	51.00	54.54	5.08	1.93	54.00	2.15	37,283	89,546
DNH-52	52.00	55.55	5.08	1.93	55.00	2.15	38,014	91,302
DNH-55	55.00	58.57	5.08	1.93	58.00	2.15	40,207	96,569
DNH-56	56.00	59.59	5.08	1.93	59.00	2.15	40,938	98,325
DNH-57	57.00	60.60	5.08	1.93	60.00	2.15	41,669	100,081
DNH-58	58.00	61.62	5.08	1.93	61.00	2.15	42,400	101,836
DNH-60	60.00	63.63	5.08	1.93	63.00	2.15	43,863	105,348
DNH-62	62.00	65.66	5.08	1.93	65.00	2.15	45,325	108,860
DNH-63	63.00	66.67	5.08	1.93	66.00	2.15	46,056	110,615
DNH-64	64.00	67.67	5.08	1.93	67.00	2.15	46,787	112,371

¹ Add suffix "-S02" for 302 stainless steel, "-S16" for 316 stainless steel.
² Based on a groove material yield strength of 310 N/mm² and a safety factor of 2.
³ Based on a safety factor of 3.
⁴ See pages 132-133 for How to Order.

Smalley Part Number ^{1,4}	Housing Diameter	Ring			Groove		Thrust Capacity	
		Outside Diameter	Radial Wall	Thickness	Diameter	Width	Groove Yield (N) ²	Ring Shear (N) ³
DNH-65	65.00	68.67	5.08	2.41	68.00	2.65	47,518	135,725
DNH-67	67.00	70.67	5.08	2.41	70.00	2.65	48,980	139,901
DNH-68	68.00	71.67	5.08	2.41	71.00	2.65	49,711	141,989
DNH-70	70.00	73.67	5.08	2.41	73.00	2.65	51,173	146,165
DNH-72	72.00	75.67	5.08	2.41	75.00	2.65	52,635	150,341
DNH-75	75.00	78.68	5.08	2.41	78.00	2.65	54,828	156,605
DNH-76	76.00	79.68	5.08	2.41	79.00	2.65	55,559	158,694
DNH-78	78.00	81.69	5.08	2.41	81.00	2.65	57,021	162,870
DNH-80	80.00	84.19	6.05	2.41	83.50	2.65	68,231	167,046
DNH-82	82.00	86.20	6.05	2.41	85.50	2.65	69,936	171,222
DNH-85	85.00	89.20	6.05	2.91	88.50	3.15	72,495	214,309
DNH-88	88.00	92.21	6.05	2.91	91.50	3.15	75,054	221,873
DNH-90	90.00	94.21	6.05	2.91	93.50	3.15	76,759	226,915
DNH-92	92.00	96.22	6.05	2.91	95.50	3.15	78,465	231,958
DNH-95	95.00	99.24	6.05	2.91	98.50	3.15	81,024	239,522
DNH-98	98.00	102.26	6.05	2.91	101.50	3.15	83,583	247,086
DNH-100	100.00	104.29	6.05	2.91	103.50	3.15	85,288	252,128
DNH-102	102.00	106.79	6.73	3.89	106.00	4.15	99,422	343,778
DNH-105	105.00	109.79	6.73	3.89	109.00	4.15	102,346	353,889
DNH-108	108.00	112.80	6.73	3.89	112.00	4.15	105,270	364,000
DNH-110	110.00	114.83	6.73	3.89	114.00	4.15	107,220	370,741
DNH-112	112.00	116.84	6.73	3.89	116.00	4.15	109,169	377,482
DNH-115	115.00	119.86	6.73	3.89	119.00	4.15	112,093	387,593
DNH-120	120.00	124.92	6.73	3.89	124.00	4.15	116,967	404,445
DNH-125	125.00	129.97	6.73	3.89	129.00	4.15	121,840	421,297
DNH-127	127.00	131.97	6.73	3.89	131.00	4.15	123,790	428,038
DNH-130	130.00	135.00	6.73	3.89	134.00	4.15	126,714	438,149
DNH-135	135.00	140.03	6.73	3.89	139.00	4.15	131,588	455,001
DNH-140	140.00	145.11	6.73	3.89	144.00	4.15	136,461	471,852
DNH-145	145.00	150.11	6.73	3.89	149.00	4.15	141,335	488,704
DNH-150	150.00	156.13	7.92	3.89	155.00	4.15	182,761	505,556
DNH-155	155.00	161.19	7.92	3.89	160.00	4.15	188,853	522,408
DNH-160	160.00	166.22	7.92	3.89	165.00	4.15	194,945	539,260
DNH-165	165.00	171.27	7.92	3.89	170.00	4.15	201,037	556,112
DNH-170	170.00	176.33	7.92	3.89	175.00	4.15	207,129	572,964
DNH-175	175.00	181.36	7.92	3.89	180.00	4.15	213,221	589,815
DNH-180	180.00	186.39	7.92	3.89	185.00	4.15	219,313	606,667
DNH-185	185.00	191.44	7.92	3.89	190.00	4.15	225,405	623,519
DNH-190	190.00	196.47	7.92	3.89	195.00	4.15	231,497	640,371
DNH-195	195.00	201.52	7.92	3.89	200.00	4.15	237,589	657,223
DNH-200	200.00	206.58	7.92	3.89	205.00	4.15	243,681	674,075
DNH-210	210.00	217.58	9.53	4.86	216.00	5.15	307,038	884,268
DNH-220	220.00	227.66	9.53	4.86	226.00	5.15	321,659	926,376
DNH-230	230.00	237.72	9.53	4.86	236.00	5.15	336,280	968,484
DNH-240	240.00	247.80	9.53	4.86	246.00	5.15	350,900	1,010,592
DNH-250	250.00	257.89	9.53	4.86	256.00	5.15	365,521	1,052,700
DNH-260	260.00	269.93	11.18	4.86	268.00	5.15	506,856	1,094,808
DNH-270	270.00	280.01	11.18	4.86	278.00	5.15	526,351	1,136,916
DNH-280	280.00	290.09	11.18	4.86	288.00	5.15	545,845	1,179,024
DNH-290	290.00	300.15	11.18	4.86	298.00	5.15	565,340	1,221,132
DNH-300	300.00	310.24	11.18	4.86	308.00	5.15	584,834	1,263,241
DNH-310	310.00	322.25	12.70	5.87	320.00	6.20	755,411	1,576,625
DNH-320	320.00	332.33	12.70	5.87	330.00	6.20	779,779	1,627,484
DNH-330	330.00	342.42	12.70	5.87	340.00	6.20	804,147	1,678,342
DNH-340	340.00	352.50	12.70	5.87	350.00	6.20	828,515	1,729,201
DNH-350	350.00	362.56	12.70	5.87	360.00	6.20	852,883	1,780,060
DNH-360	360.00	372.64	12.70	5.87	370.00	6.20	877,251	1,830,919
DNH-370	370.00	382.73	12.70	5.87	380.00	6.20	901,619	1,881,778
DNH-380	380.00	392.79	12.70	5.87	390.00	6.20	925,987	1,932,637
DNH-390	390.00	402.84	12.70	5.87	400.00	6.20	950,355	1,983,496
DNH-400	400.00	412.93	12.70	5.87	410.00	6.20	974,723	2,034,354

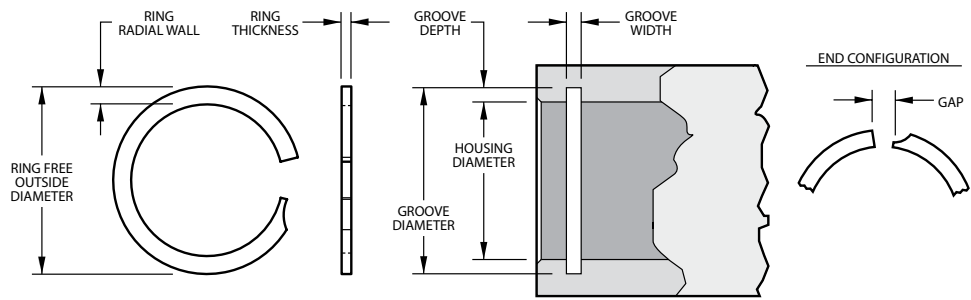
¹ Add suffix "-S02" for 302 stainless steel, "-S16" for 316 stainless steel.

² Based on a groove material yield strength of 310 N/mm² and a safety factor of 2.

³ Based on a safety factor of 3.

⁴ See pages 132-133 for How to Order.

FH Series - Metric Constant Section Rings



Groove Compatible with DIN 472

Product Dimensions All dimensions in millimeters unless otherwise specified.

Smalley Part Number ^{1,4,5}	Housing Diameter	Ring			Groove		Thrust Capacity	
		Outside Diameter	Radial Wall	Thickness	Diameter	Width	Groove Yield (N) ²	Ring Shear (N) ³
FH-013	13.00	13.73	1.40	.94	13.60	1.10	1,931	10,591
FH-014	14.00	14.74	1.40	.94	14.60	1.10	2,077	11,396
FH-015	15.00	15.85	1.40	.94	15.70	1.10	2,602	12,224
FH-016	16.00	16.90	1.65	.94	16.80	1.10	3,172	13,029
FH-017	17.00	17.97	1.65	.94	17.80	1.10	3,367	13,838
FH-018	18.00	19.18	1.90	.94	19.00	1.10	4,457	14,666
FH-019	19.00	20.25	1.90	.94	20.00	1.10	4,702	15,471
FH-020	20.00	21.20	1.90	.94	21.00	1.10	4,951	16,276
FH-021	21.00	22.21	1.90	.94	22.00	1.10	5,200	17,103
FH-022	22.00	23.22	1.90	.94	23.00	1.10	5,445	17,913
FH-023	23.00	24.23	1.90	.94	24.00	1.10	5,698	18,736
FH-024	24.00	25.40	2.15	1.15	25.20	1.30	6,539	23,927
FH-025	25.00	26.45	2.15	1.15	26.20	1.30	6,806	24,914
FH-026	26.00	27.46	2.15	1.15	27.20	1.30	7,082	25,929
FH-027	27.00	28.47	2.38	1.15	28.20	1.30	7,353	26,916
FH-028	28.00	29.68	2.38	1.15	29.40	1.30	9,702	27,904
FH-029	29.00	30.69	2.38	1.15	30.40	1.30	10,053	28,918
FH-030	30.00	31.79	2.38	1.15	31.40	1.30	10,395	29,905
FH-031	31.00	33.01	2.38	1.15	32.70	1.30	12,660	30,893
FH-032	32.00	33.93	2.38	1.15	33.70	1.30	13,073	31,907
FH-033	33.00	35.03	2.38	1.15	34.70	1.30	13,478	32,895
FH-034	34.00	36.04	3.25	1.44	35.70	1.60	13,892	40,319
FH-035	35.00	37.35	3.25	1.44	37.00	1.60	16,899	41,493
FH-036	36.00	38.36	3.25	1.44	38.00	1.60	17,375	42,663
FH-037	37.00	39.37	3.25	1.44	39.00	1.60	17,869	43,868
FH-038	38.00	40.44	3.25	1.44	40.00	1.60	18,344	45,043
FH-040	40.00	42.86	4.01	1.69	42.50	1.85	24,265	55,621
FH-041	41.00	43.91	4.01	1.69	43.50	1.85	24,866	56,995
FH-042	42.00	44.92	4.01	1.69	44.50	1.85	25,484	58,410
FH-045	45.00	47.88	4.01	1.69	47.50	1.85	27,303	62,578
FH-047	47.00	49.97	4.01	1.69	49.50	1.85	28,504	65,331
FH-048	48.00	50.98	4.01	1.69	50.50	1.85	29,118	66,741
FH-050	50.00	53.50	5.08	1.93	53.00	2.15	36,529	75,282
FH-051	51.00	54.43	5.08	1.93	54.00	2.15	37,249	76,776
FH-052	52.00	55.52	5.08	1.93	55.00	2.15	37,974	78,266
FH-055	55.00	58.55	5.08	1.93	58.00	2.15	40,163	82,777
FH-056	56.00	59.56	5.08	1.93	59.00	2.15	40,906	84,307
FH-057	57.00	60.68	5.08	1.93	60.00	2.15	41,631	85,797
FH-058	58.00	61.58	5.08	1.93	61.00	2.15	42,352	87,287
FH-060	60.00	63.60	5.08	1.93	63.00	2.15	43,819	90,308
FH-062	62.00	65.58	5.08	1.93	65.00	2.15	45,283	93,328
FH-063	63.00	66.63	5.08	1.93	66.00	2.15	46,008	94,823
FH-064	64.00	67.64	5.08	2.41	67.00	2.65	46,751	114,742

¹ Add suffix "-S02" for 302 stainless steel.

² Based on a groove material yield strength of 310 N/mm² and a safety factor of 2.

³ Based on a safety factor of 3.

⁴ See pages 132-133 for How to Order.

⁵ Square edge wire.

Smalley Part Number ^{1,4,5}	Housing Diameter	Ring			Groove		Thrust Capacity	
		Outside Diameter	Radial Wall	Thickness	Diameter	Width	Groove Yield (N) ²	Ring Shear (N) ³
FH-065	65.00	68.70	5.08	2.41	68.00	2.65	47,471	116,517
FH-067	67.00	70.54	5.08	2.41	70.00	2.65	48,939	120,115
FH-068	68.00	71.84	5.08	2.41	71.00	2.65	49,660	121,890
FH-070	70.00	73.64	5.08	2.41	73.00	2.65	51,128	125,489
FH-072	72.00	75.72	5.08	2.41	75.00	2.65	52,591	129,083
FH-075	75.00	78.75	5.08	2.41	78.00	2.65	54,780	134,456
FH-076	76.00	79.88	5.08	2.41	79.00	2.65	55,505	136,231
FH-078	78.00	81.73	5.08	2.41	81.00	2.65	56,968	139,830
FH-080	80.00	84.30	6.02	2.41	83.50	2.65	68,342	143,428
FH-082	82.00	86.32	6.02	2.41	85.50	2.65	70,033	146,978
FH-085	85.00	89.35	6.30	2.91	88.50	3.15	72,595	175,046
FH-088	88.00	92.38	6.30	2.91	91.50	3.15	75,175	181,269
FH-090	90.00	94.70	6.30	2.91	93.50	3.15	76,865	185,353
FH-092	92.00	96.50	6.30	2.91	95.50	3.15	78,582	189,485
FH-095	95.00	99.62	6.30	2.91	98.50	3.15	81,140	195,659
FH-098	98.00	102.71	6.30	2.91	101.50	3.15	83,702	201,829
FH-100	100.00	104.50	6.30	2.91	103.50	3.15	85,415	205,962
FH-102	102.00	107.27	6.73	3.89	106.00	4.15	87,127	269,224
FH-105	105.00	109.96	6.73	3.89	109.00	4.15	102,687	277,133
FH-108	108.00	113.09	6.73	3.89	112.00	4.15	105,619	285,042
FH-110	110.00	115.10	6.73	3.89	114.00	4.15	107,580	290,340
FH-112	112.00	117.12	6.73	3.89	116.00	4.15	109,520	295,567
FH-115	115.00	120.15	6.73	3.89	119.00	4.15	112,473	303,547
FH-120	120.00	125.60	6.73	3.89	124.00	4.15	117,344	316,687
FH-125	125.00	130.25	6.73	3.89	129.00	4.15	122,237	329,893
FH-127	127.00	132.27	6.73	3.89	131.00	4.15	124,199	335,187
FH-130	130.00	135.30	6.73	3.89	134.00	4.15	127,130	343,096
FH-135	135.00	140.35	6.73	3.89	139.00	4.15	132,023	356,303
FH-140	140.00	145.26	6.73	3.89	144.00	4.15	136,916	369,509
FH-145	145.00	150.45	6.73	3.89	149.00	4.15	141,809	382,716
FH-150	150.00	156.50	8.03	3.89	155.00	4.15	181,986	395,923
FH-155	155.00	161.55	8.03	3.89	160.00	4.15	188,026	409,063
FH-160	160.00	166.60	8.03	3.89	165.00	4.15	194,094	422,270
FH-165	165.00	171.70	8.03	3.89	170.00	4.15	200,166	435,476
FH-170	170.00	176.70	8.03	3.89	175.00	4.15	206,237	448,683
FH-175	175.00	181.75	8.03	3.89	180.00	4.15	212,305	461,890
FH-180	180.00	186.80	8.03	3.89	185.00	4.15	218,377	475,097
FH-185	185.00	191.85	8.03	3.89	190.00	4.15	224,417	488,232
FH-190	190.00	197.15	8.03	3.89	195.00	4.15	230,489	501,439
FH-195	195.00	201.95	8.03	3.89	200.00	4.15	236,556	514,646
FH-200	200.00	207.00	8.03	3.89	205.00	4.15	242,628	527,853
FH-210	210.00	217.93	9.48	4.87	216.00	5.15	306,763	657,096
FH-220	220.00	228.20	9.48	4.87	226.00	5.15	321,344	688,327
FH-230	230.00	238.30	9.48	4.87	236.00	5.15	335,961	719,638
FH-240	240.00	248.40	9.48	4.87	246.00	5.15	350,578	750,953
FH-250	250.00	258.50	9.48	4.87	256.00	5.15	365,199	782,264
FH-260	260.00	270.77	11.05	4.87	268.00	5.15	505,300	813,500
FH-270	270.00	280.70	11.05	4.87	278.00	5.15	524,748	844,811
FH-280	280.00	290.57	11.05	4.87	288.00	5.15	544,200	876,126
FH-290	290.00	300.90	11.05	4.87	298.00	5.15	563,599	907,357
FH-300	300.00	311.00	11.05	4.87	308.00	5.15	583,051	938,673

¹ Add suffix "-S02" for 302 stainless steel.

² Based on a groove material yield strength of 310 N/mm² and a safety factor of 2.

³ Based on a safety factor of 3.

⁴ See pages 132-133 for How to Order.

⁵ Square edge wire.

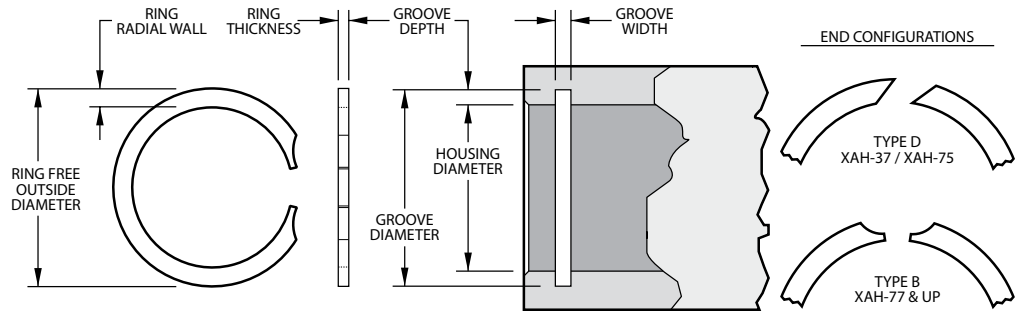
Request FREE samples

Get free samples of any standard catalog item at www.smalley.com/samples.

Or use form on page 131 of this catalog. Requests typically processed within 24 hours.

XAH Series - Constant Section Rings

Stock Items available in carbon steel and 302 stainless steel.



Product Dimensions All dimensions in inches unless otherwise specified.

Smalley Part Number ^{1,4}	Housing Diameter	Ring			Groove		Thrust Capacity	
		Outside Diameter	Radial Wall	Thickness	Diameter	Width	Groove Yield (lb) ²	Ring Shear (lb) ³
XAH-37	.375	.400	.035	.025	.395	.028	265	1,174
XAH-43	.438	.467	.035	.025	.462	.028	372	1,371
XAH-50	.500	.530	.040	.035	.524	.039	424	2,073
XAH-51	.512	.542	.040	.035	.536	.039	434	2,123
XAH-56	.562	.600	.048	.035	.590	.039	556	2,331
XAH-62	.625	.670	.048	.035	.657	.039	707	2,592
XAH-68	.688	.733	.048	.035	.720	.039	778	2,853
XAH-75	.750	.799	.048	.035	.786	.039	954	3,110
XAH-77	.777	.827	.062	.042	.813	.046	989	3,906
XAH-81	.812	.867	.062	.042	.852	.046	1,148	4,082
XAH-87	.875	.934	.062	.042	.919	.046	1,361	4,398
XAH-90	.901	.961	.078	.042	.945	.046	1,401	4,529
XAH-93	.938	1.003	.078	.042	.986	.046	1,591	4,715
XAH-100	1.000	1.070	.078	.042	1.052	.046	1,696	5,027
XAH-102	1.023	1.094	.093	.042	1.075	.046	1,880	5,142
XAH-106	1.062	1.134	.093	.050	1.114	.056	1,952	6,272
XAH-112	1.125	1.202	.093	.050	1.181	.056	2,227	6,644
XAH-118	1.188	1.270	.093	.050	1.248	.056	2,519	7,017
XAH-125	1.250	1.337	.109	.050	1.314	.056	2,827	7,383
XAH-131	1.312	1.404	.109	.050	1.380	.056	3,153	7,749
XAH-137	1.375	1.472	.109	.050	1.447	.056	3,499	8,121
XAH-143	1.438	1.535	.125	.050	1.510	.056	3,659	8,493
XAH-145	1.456	1.557	.125	.050	1.532	.056	3,911	8,599
XAH-150	1.500	1.607	.125	.050	1.576	.056	4,029	8,859
XAH-156	1.562	1.668	.125	.062	1.642	.068	4,416	11,002
XAH-162	1.625	1.736	.141	.062	1.709	.068	4,824	11,446
XAH-165	1.653	1.765	.141	.062	1.737	.068	4,907	11,643
XAH-168	1.688	1.804	.156	.062	1.776	.068	5,250	11,889
XAH-175	1.750	1.870	.156	.062	1.842	.068	5,690	12,326
XAH-181	1.812	1.933	.156	.062	1.904	.068	5,892	12,763
XAH-185	1.850	1.975	.156	.062	1.946	.068	6,277	13,030
XAH-187	1.875	2.000	.156	.062	1.971	.068	6,362	13,206
XAH-193	1.938	2.068	.156	.062	2.038	.068	6,849	13,650
XAH-196	1.968	2.098	.156	.062	2.068	.068	6,955	13,862
XAH-200	2.000	2.131	.156	.062	2.100	.068	7,069	14,087
XAH-206	2.062	2.197	.156	.078	2.166	.086	7,579	17,491
XAH-212	2.125	2.260	.156	.078	2.229	.086	7,811	18,025
XAH-218	2.188	2.331	.171	.078	2.296	.086	8,352	18,559
XAH-225	2.250	2.393	.171	.078	2.358	.086	8,588	19,085
XAH-231	2.312	2.459	.171	.078	2.424	.086	9,152	19,611
XAH-237	2.375	2.523	.171	.078	2.487	.086	9,401	20,145
XAH-244	2.440	2.592	.187	.078	2.556	.086	10,003	20,697
XAH-250	2.500	2.653	.187	.078	2.616	.086	10,249	21,206
XAH-253	2.531	2.688	.187	.078	2.651	.086	10,734	21,469
XAH-256	2.562	2.726	.187	.093	2.686	.103	11,228	26,078
XAH-262	2.625	2.790	.187	.093	2.750	.103	11,504	26,719
XAH-268	2.688	2.856	.187	.093	2.816	.103	11,780	27,361
XAH-271	2.717	2.882	.187	.093	2.842	.103	12,291	27,656

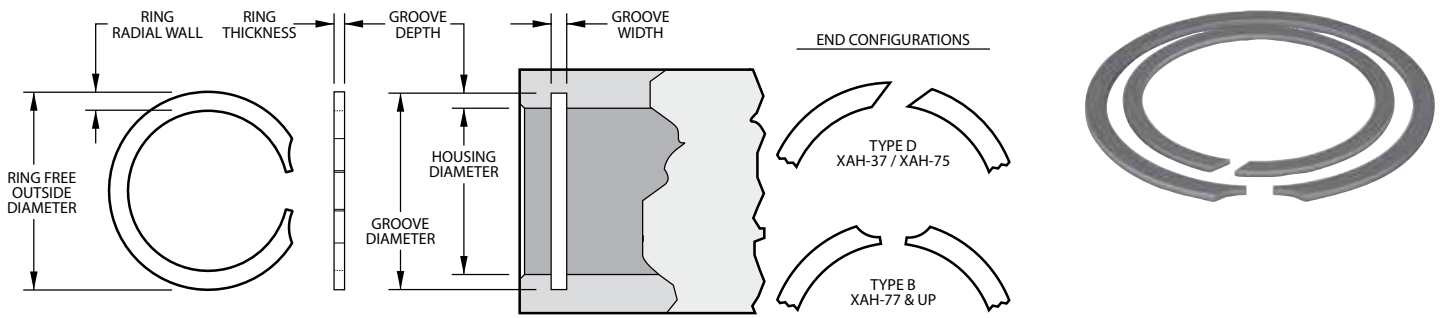
¹ Add suffix "-S02" for 302 stainless steel.

² Based on a groove material strength of 45,000 psi and a safety factor of 2.

³ Based on a safety factor of 3.

⁴ See pages 132-133 for How to Order.

Stock Items available in carbon steel and 302 stainless steel.



Product Dimensions All dimensions in inches unless otherwise specified.

Smalley Part Number ^{1,4}	Housing Diameter	Ring			Groove		Thrust Capacity	
		Outside Diameter	Radial Wall	Thickness	Diameter	Width	Groove Yield (lb) ²	Ring Shear (lb) ³
XAH-275	2.750	2.918	.187	.093	2.878	.103	12,441	27,992
XAH-281	2.813	2.985	.187	.093	2.945	.103	13,123	28,633
XAH-283	2.834	3.006	.187	.093	2.966	.103	13,221	28,847
XAH-287	2.875	3.056	.187	.093	3.011	.103	13,819	29,264
XAH-300	3.000	3.181	.187	.093	3.136	.103	14,420	30,536
XAH-306	3.062	3.247	.218	.109	3.202	.120	15,151	35,009
XAH-312	3.125	3.311	.218	.109	3.265	.120	15,463	35,729
XAH-315	3.156	3.342	.218	.109	3.296	.120	15,616	36,084
XAH-325	3.250	3.442	.218	.109	3.394	.120	16,540	37,158
XAH-334	3.346	3.539	.218	.109	3.490	.120	17,029	38,256
XAH-346	3.469	3.663	.218	.109	3.613	.120	17,655	39,662
XAH-350	3.500	3.700	.250	.109	3.648	.120	18,308	40,017
XAH-354	3.543	3.745	.250	.109	3.691	.120	18,533	40,508
XAH-356	3.562	3.766	.250	.109	3.710	.120	18,632	40,725
XAH-362	3.625	3.831	.250	.109	3.773	.120	18,961	41,446
XAH-375	3.750	3.962	.250	.109	3.902	.120	20,145	42,875
XAH-387	3.875	4.089	.250	.109	4.027	.120	20,817	44,304
XAH-393	3.938	4.156	.250	.109	4.094	.120	21,712	45,024
XAH-400	4.000	4.221	.250	.109	4.156	.120	22,054	45,733
XAH-412	4.125	4.355	.250	.109	4.285	.120	23,326	47,162
XAH-425	4.250	4.485	.250	.109	4.410	.120	24,033	48,592
XAH-433	4.330	4.565	.250	.109	4.490	.120	24,486	49,506
XAH-443	4.436	4.670	.250	.109	4.596	.120	25,085	50,718
XAH-450	4.500	4.744	.250	.109	4.664	.120	26,083	51,450
XAH-462	4.625	4.875	.250	.109	4.795	.120	27,788	52,879
XAH-475	4.750	5.011	.281	.109	4.926	.120	29,547	54,308
XAH-500	5.000	5.265	.281	.109	5.180	.120	31,809	57,167
XAH-525	5.250	5.530	.312	.125	5.435	.139	34,141	65,732
XAH-537	5.375	5.660	.312	.125	5.565	.139	36,094	67,297
XAH-550	5.500	5.796	.312	.125	5.696	.139	38,100	68,862
XAH-575	5.750	6.050	.312	.125	5.950	.139	40,644	71,992
XAH-600	6.000	6.309	.312	.125	6.204	.139	43,260	75,122
XAH-625	6.250	6.568	.343	.156	6.458	.174	45,946	94,130
XAH-650	6.500	6.832	.343	.156	6.712	.174	48,703	97,895
XAH-662	6.625	6.975	.343	.156	6.845	.174	51,512	99,778
XAH-675	6.750	7.100	.343	.156	6.970	.174	52,484	101,660
XAH-700	7.000	7.350	.343	.156	7.220	.174	54,428	105,426
XAH-725	7.250	7.630	.375	.187	7.500	.209	64,059	123,654
XAH-750	7.500	7.890	.375	.187	7.750	.209	66,268	127,918
XAH-800	8.000	8.400	.375	.187	8.250	.209	70,686	136,446
XAH-825	8.250	8.665	.437	.187	8.540	.209	84,558	141,478
XAH-850	8.500	8.915	.437	.187	8.790	.209	87,120	145,766
XAH-875	8.750	9.205	.500	.187	9.080	.209	102,053	150,053
XAH-900	9.000	9.455	.500	.187	9.330	.209	104,968	154,340
XAH-905	9.055	9.509	.500	.187	9.384	.209	105,610	155,283
XAH-950	9.500	9.955	.500	.187	9.830	.209	110,800	162,915
XAH-984	9.840	10.295	.500	.187	10.170	.209	114,766	168,745
XAH-1000	10.000	10.455	.500	.187	10.330	.209	116,632	171,489

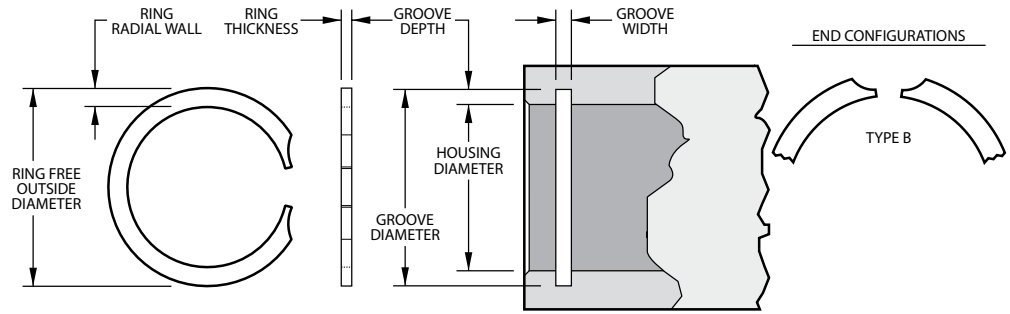
¹ Add suffix "-S02" for 302 stainless steel.

² Based on a groove material yield strength of 45,000 psi and a safety factor of 2.

³ Based on a safety factor of 3.

⁴ See pages 132-133 for How to Order.

XDH Series - Constant Section Rings



Product Dimensions All dimensions in inches unless otherwise specified.

Smalley Part Number ^{1,4}	Housing Diameter	Ring			Groove		Thrust Capacity	
		Outside Diameter	Radial Wall	Thickness	Diameter	Width	Groove Yield (lb) ²	Ring Shear (lb) ³
XDH-112	1.125	1.196	.093	.042	1.181	.046	2,227	5,655
XDH-125	1.250	1.330	.093	.042	1.310	.046	2,651	6,283
XDH-137	1.375	1.460	.093	.042	1.435	.046	2,916	6,912
XDH-150	1.500	1.600	.125	.042	1.580	.046	4,241	7,540
XDH-162	1.625	1.725	.125	.042	1.705	.046	4,595	8,168
XDH-175	1.750	1.855	.125	.042	1.830	.046	4,948	8,796
XDH-187	1.875	1.990	.156	.042	1.965	.046	5,964	9,425
XDH-200	2.000	2.115	.156	.042	2.090	.046	6,362	10,053
XDH-206	2.062	2.177	.156	.042	2.152	.046	6,559	10,365
XDH-218	2.187	2.302	.156	.042	2.277	.046	6,957	10,993
XDH-231	2.312	2.432	.156	.042	2.402	.046	7,354	11,621
XDH-243	2.437	2.557	.156	.042	2.527	.046	7,752	12,250
XDH-256	2.562	2.682	.156	.042	2.652	.046	8,149	12,878
XDH-300	3.000	3.154	.187	.062	3.124	.068	13,148	21,130
XDH-325	3.250	3.404	.187	.062	3.374	.068	14,243	22,891
XDH-350	3.500	3.654	.187	.062	3.624	.068	15,339	24,652
XDH-375	3.750	3.904	.187	.062	3.874	.068	16,434	26,413
XDH-400	4.000	4.155	.187	.062	4.125	.068	17,671	28,174
XDH-425	4.250	4.429	.218	.078	4.394	.086	21,630	36,050
XDH-450	4.500	4.679	.218	.078	4.644	.086	22,902	38,170
XDH-475	4.750	4.929	.218	.078	4.894	.086	24,175	40,291
XDH-500	5.000	5.184	.218	.078	5.144	.086	25,447	42,412
XDH-525	5.250	5.434	.218	.078	5.394	.086	26,719	44,532
XDH-575	5.750	5.934	.218	.078	5.894	.086	29,264	48,773
XDH-600	6.000	6.220	.250	.093	6.160	.103	33,929	61,073
XDH-650	6.500	6.730	.250	.093	6.660	.103	36,757	66,162
XDH-700	7.000	7.240	.250	.093	7.160	.103	39,584	71,251
XDH-725	7.250	7.500	.250	.093	7.410	.103	40,998	73,796
XDH-750	7.500	7.760	.250	.093	7.660	.103	42,412	76,341
XDH-800	8.000	8.285	.250	.093	8.160	.103	45,239	81,430

¹ Add suffix "-S02" for 302 stainless steel.

² Based on a groove material yield strength of 45,000 psi and a safety factor of 2.

³ Based on a safety factor of 3.

⁴ See pages 132-133 for How to Order.

Request FREE samples

Get free samples of any standard catalog item at www.smalley.com/samples.

Or use form on page 131 of this catalog. Requests typically processed within 24 hours.

Get CAD downloads

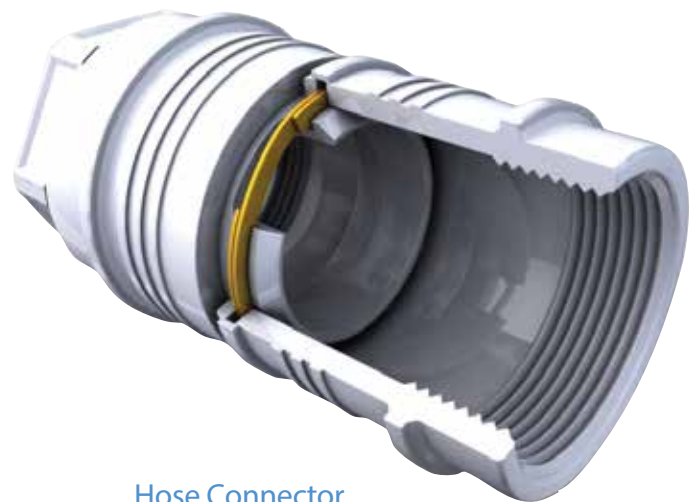
Simplify your design process by downloading CAD models of standard retaining rings and wave springs at www.smalley.com/cad-models.

ID/OD Retaining Ring Lock

Spirolox Retaining Rings can operate in an internal and an external groove simultaneously. Spiral type retaining rings have many benefits for the ID/OD Lock, these benefits include concealed fastening, no required assembly tooling and a 360° rotational capacity. With a Spirolox Retaining Ring, the application is tamper-proof and aesthetically pleasing. In this featured application, the retaining ring is initially installed in the housing groove. When the mating component in the assembly is added, the retaining ring compresses into the groove. The groove is deep enough for the rings radial wall to fit into as the component slides into position. Finally, when the grooves meet, the retaining ring snaps into the shaft groove (groove depth equals 1/2 the retaining rings radial wall) while still in the housing groove.

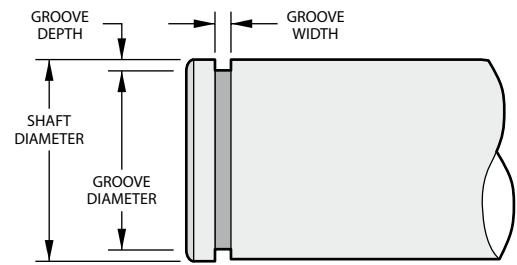
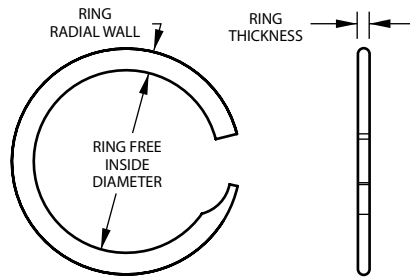
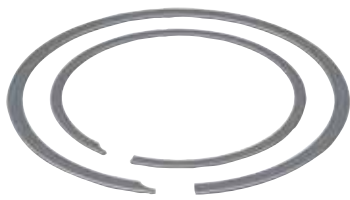


In the pneumatic fitting and hose connector applications depicted below, a 2-Turn retaining ring without removal notches or an offset, creates an ID/OD lock, permitting the 360° rotation of the nut.



VS Series - Light Duty Rings

SPIROLOX RINGS EXCLUSIVELY FROM SMALLEY



Product Dimensions All dimensions in inches unless otherwise specified.

Smalley Part Number ^{1,4}	Shaft Diameter	Ring			Groove		Thrust Capacity	
		Inside Diameter	Radial Wall	Thickness	Diameter	Width	Groove Yield (lb) ²	Ring Shear (lb) ³
VS-25 ^{5,6}	.250	.236	.020	.012	.238	.015	106	481
VS-31 ^{5,6}	.312	.294	.025	.015	.297	.018	165	750
VS-37 ^{5,6}	.375	.348	.025	.015	.351	.018	318	901
VS-43 ⁶	.437	.410	.035	.015	.413	.018	371	1,050
VS-50	.500	.467	.045	.018	.472	.022	500	1,300
VS-56	.562	.529	.045	.018	.534	.022	560	1,460
VS-62	.625	.591	.045	.018	.597	.022	620	1,630
VS-68	.687	.652	.045	.018	.659	.022	680	1,790
VS-75	.750	.715	.045	.018	.722	.022	740	1,950
VS-81	.812	.762	.065	.021	.770	.026	1,210	2,460
VS-87	.875	.825	.065	.021	.833	.026	1,300	2,660
VS-93	.937	.886	.065	.021	.895	.026	1,390	2,840
VS-100	1.000	.949	.065	.021	.958	.026	1,480	3,040
VS-106	1.062	1.008	.088	.025	1.018	.031	1,650	3,500
VS-112	1.125	1.071	.088	.025	1.081	.031	1,750	3,710
VS-118	1.187	1.132	.088	.025	1.143	.031	1,850	3,920
VS-125	1.250	1.194	.088	.025	1.206	.031	1,940	4,120
VS-131	1.312	1.255	.088	.025	1.268	.031	2,040	4,330
VS-137	1.375	1.318	.088	.025	1.331	.031	2,140	4,540
VS-143	1.437	1.379	.088	.025	1.393	.031	2,240	4,740
VS-150	1.500	1.442	.088	.025	1.456	.031	2,330	4,950
VS-156	1.562	1.488	.118	.031	1.505	.039	3,200	6,390
VS-162	1.625	1.550	.118	.031	1.568	.039	3,330	6,650
VS-168	1.687	1.612	.118	.031	1.630	.039	3,460	6,900
VS-175	1.750	1.674	.118	.031	1.693	.039	3,590	7,160
VS-181	1.812	1.736	.118	.031	1.755	.039	3,710	7,410
VS-187	1.875	1.798	.118	.031	1.818	.039	3,840	7,670
VS-193	1.937	1.859	.118	.031	1.880	.039	3,970	7,920
VS-200	2.000	1.922	.118	.031	1.943	.039	4,100	8,180
VS-206	2.062	1.963	.158	.031	1.986	.039	5,540	8,430
VS-212	2.125	2.026	.158	.031	2.049	.039	5,710	8,690
VS-218	2.187	2.087	.158	.031	2.111	.039	5,870	8,950
VS-225	2.250	2.149	.158	.031	2.174	.039	6,040	9,200
VS-231	2.312	2.211	.158	.031	2.236	.039	6,210	9,460
VS-237	2.375	2.273	.158	.031	2.299	.039	6,380	9,720
VS-243	2.437	2.335	.158	.031	2.361	.039	6,550	9,970
VS-250	2.500	2.397	.158	.031	2.424	.039	6,720	10,230
VS-256	2.562	2.458	.158	.031	2.486	.039	6,880	10,480
VS-262	2.625	2.521	.158	.031	2.549	.039	7,050	10,740
VS-268	2.687	2.582	.158	.031	2.611	.039	7,220	10,990
VS-275	2.750	2.644	.158	.031	2.674	.039	7,390	11,250
VS-281	2.812	2.706	.158	.031	2.736	.039	7,550	11,500
VS-287	2.875	2.768	.158	.031	2.799	.039	7,720	11,760
VS-293	2.937	2.830	.158	.031	2.861	.039	7,890	12,010
VS-300	3.000	2.892	.158	.031	2.924	.039	8,060	12,270

¹ Add suffix "-S02" for 302 stainless steel, "-S16" for 316 stainless steel.
² Based on a groove material yield strength of 45,000 psi and a safety factor of 2.
³ Based on a safety factor of 3.
⁴ See pages 132-133 for How to Order.
⁵ No removal notch.
⁶ Square edge wire.

Stock Items available in carbon steel and 302 and 316 stainless steel.

Product Dimensions All dimensions in inches unless otherwise specified.

Smalley Part Number ^{1,4}	Shaft Diameter	Ring			Groove		Thrust Capacity	
		Inside Diameter	Radial Wall	Thickness	Diameter	Width	Groove Yield (lb) ²	Ring Shear (lb) ³
VS-306	3.062	2.938	.188	.039	2.970	.044	9,960	15,760
VS-312	3.125	3.001	.188	.039	3.033	.044	10,160	16,080
VS-318	3.187	3.062	.188	.039	3.095	.044	10,360	16,400
VS-325	3.250	3.125	.188	.039	3.158	.044	10,570	16,720
VS-331	3.312	3.186	.188	.039	3.220	.044	10,770	17,040
VS-337	3.375	3.248	.188	.039	3.283	.044	10,970	17,370
VS-343	3.437	3.310	.188	.039	3.345	.044	11,180	17,690
VS-350	3.500	3.372	.188	.039	3.408	.044	11,380	18,010
VS-356	3.562	3.433	.188	.039	3.470	.044	11,580	18,330
VS-362	3.625	3.496	.188	.039	3.533	.044	11,790	18,650
VS-368	3.687	3.557	.188	.039	3.595	.044	11,990	18,970
VS-375	3.750	3.620	.188	.039	3.658	.044	12,190	19,300
VS-381	3.812	3.681	.188	.039	3.720	.044	12,400	19,620
VS-387	3.875	3.743	.188	.039	3.783	.044	12,600	19,940
VS-393	3.937	3.805	.188	.039	3.845	.044	12,800	20,260
VS-400	4.000	3.867	.188	.039	3.908	.044	13,010	20,580
VS-412	4.125	3.973	.225	.046	4.015	.052	16,040	23,850
VS-425	4.250	4.097	.225	.046	4.140	.052	16,520	24,570
VS-437	4.375	4.221	.225	.046	4.265	.052	17,010	25,290
VS-450	4.500	4.345	.225	.046	4.390	.052	17,500	26,010
VS-462	4.625	4.468	.225	.046	4.515	.052	17,980	26,740
VS-475	4.750	4.592	.225	.046	4.640	.052	18,470	27,460
VS-487	4.875	4.715	.225	.046	4.765	.052	18,950	28,180
VS-500	5.000	4.839	.225	.046	4.890	.052	19,440	28,900
VS-525	5.250	5.067	.225	.061	5.119	.067	24,490	40,240
VS-550	5.500	5.309	.225	.061	5.363	.067	26,830	42,160
VS-575	5.750	5.550	.225	.061	5.606	.067	29,260	44,080
VS-600	6.000	5.792	.225	.061	5.850	.067	31,810	45,990
VS-625	6.250	6.033	.265	.061	6.094	.067	34,460	47,910
VS-650	6.500	6.275	.265	.061	6.338	.067	37,220	49,830
VS-675	6.750	6.515	.265	.061	6.581	.067	40,560	51,740
VS-700	7.000	6.757	.265	.061	6.825	.067	43,540	53,660
VS-725	7.250	6.998	.300	.061	7.069	.067	46,640	55,580
VS-750	7.500	7.240	.300	.061	7.313	.067	49,830	57,490
VS-775	7.750	7.480	.300	.061	7.556	.067	53,140	59,410
VS-800	8.000	7.722	.300	.061	7.800	.067	56,550	61,320
VS-825	8.250	7.964	.345	.076	8.044	.082	60,070	78,790
VS-850	8.500	8.205	.345	.076	8.288	.082	63,690	81,180
VS-875	8.750	8.446	.345	.076	8.531	.082	68,040	83,570
VS-900	9.000	8.687	.345	.076	8.775	.082	71,890	85,950
VS-925	9.250	8.929	.345	.076	9.019	.082	75,850	88,340
VS-950	9.500	9.170	.345	.076	9.263	.082	79,910	90,730
VS-975	9.750	9.411	.345	.076	9.506	.082	84,080	93,120
VS-1000	10.000	9.653	.345	.076	9.750	.082	88,360	95,500

¹ Add suffix "-S02" for 302 stainless steel, "-S16" for 316 stainless steel.

² Based on a groove material yield strength of 45,000 psi and a safety factor of 2.

³ Based on a safety factor of 3.

⁴ See pages 132-133 for How to Order.

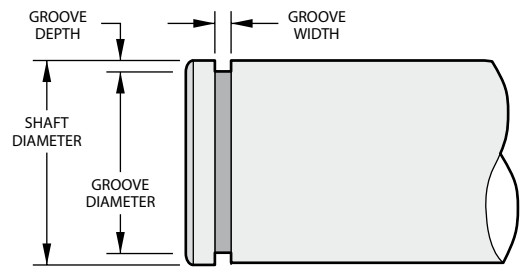
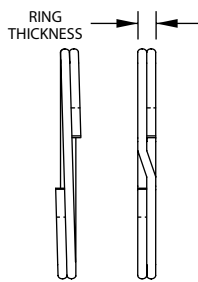
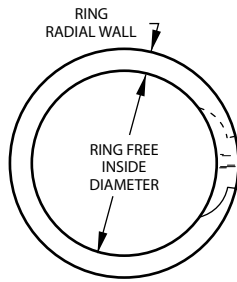
Request FREE samples

Get free samples of any standard catalog item at www.smalley.com/samples.

Or use form on page 131 of this catalog. Requests typically processed within 24 hours.

WS Series - Medium Duty Rings

SPIROLOX RINGS EXCLUSIVELY FROM SMALLEY



AS3218, AS4299
MIL-DTL-27426/1

WS-50 / WS-150
WS-156 & UP

Product Dimensions All dimensions in inches unless otherwise specified.

Smalley Part Number ^{1,4}	Shaft Diameter	Ring			Groove		Thrust Capacity	
		Inside Diameter	Radial Wall	Thickness	Diameter	Width	Groove Yield (lb) ²	Ring Shear (lb) ³
WS-50	.500	.467	.045	.025	.474	.030	460	2,000
WS-53	.531	.498	.045	.025	.505	.030	490	2,130
WS-55	.551	.518	.045	.025	.525	.030	510	2,210
WS-56	.562	.529	.045	.025	.536	.030	520	2,250
WS-59	.594	.561	.045	.025	.569	.030	550	2,380
WS-62	.625	.585	.055	.025	.594	.030	710	2,500
WS-65	.656	.617	.055	.025	.625	.030	740	2,630
WS-66	.669	.629	.055	.025	.638	.030	760	2,680
WS-68	.687	.647	.055	.025	.656	.030	780	2,750
WS-71	.718	.679	.055	.025	.687	.030	810	2,880
WS-75	.750	.710	.065	.031	.719	.036	850	3,360
WS-78	.781	.741	.065	.031	.750	.036	880	3,500
WS-81	.812	.771	.065	.031	.781	.036	920	3,640
WS-84	.843	.803	.065	.031	.812	.036	950	3,780
WS-87	.875	.828	.065	.031	.838	.036	1,180	3,920
WS-90	.906	.860	.065	.031	.869	.036	1,220	4,060
WS-93	.937	.889	.065	.031	.900	.036	1,260	4,200
WS-96	.968	.916	.075	.037	.925	.042	1,440	5,180
WS-98	.984	.930	.075	.037	.941	.042	1,460	5,260
WS-100	1.000	.946	.075	.037	.957	.042	1,480	5,350
WS-102	1.023	.968	.075	.037	.980	.042	1,520	5,470
WS-103	1.031	.978	.075	.037	.988	.042	1,530	5,510
WS-106	1.062	1.007	.075	.037	1.020	.042	1,580	5,680
WS-109	1.093	1.040	.075	.037	1.051	.042	1,620	5,840
WS-112	1.125	1.070	.075	.037	1.083	.042	1,670	6,020
WS-115	1.156	1.102	.075	.037	1.114	.042	1,720	6,180
WS-118	1.188	1.127	.085	.043	1.140	.048	2,020	7,380
WS-121	1.218	1.159	.085	.043	1.170	.048	2,070	7,570
WS-125	1.250	1.188	.085	.043	1.202	.048	2,120	7,770
WS-128	1.281	1.221	.085	.043	1.233	.048	2,170	7,960
WS-131	1.312	1.251	.095	.043	1.264	.048	2,230	8,150
WS-134	1.343	1.282	.095	.043	1.295	.048	2,280	8,350
WS-137	1.375	1.308	.095	.043	1.323	.048	2,530	8,540
WS-140	1.406	1.340	.095	.043	1.354	.048	2,580	8,740
WS-143	1.437	1.370	.095	.043	1.385	.048	2,640	8,930
WS-146	1.468	1.402	.095	.043	1.416	.048	2,700	9,120
WS-150	1.500	1.433	.095	.043	1.448	.048	2,760	9,320
WS-156	1.562	1.490	.108	.049	1.507	.056	3,090	10,100
WS-157	1.575	1.503	.108	.049	1.520	.056	3,120	10,190
WS-162	1.625	1.549	.108	.049	1.566	.056	3,450	10,510
WS-168	1.687	1.610	.118	.049	1.628	.056	3,580	10,910
WS-175	1.750	1.673	.118	.049	1.691	.056	3,710	11,310
WS-177	1.771	1.690	.118	.049	1.708	.056	4,010	11,450
WS-181	1.813	1.730	.118	.049	1.749	.056	4,100	11,720

¹ Add suffix "-S02" for 302 stainless steel, "-S16" for 316 stainless steel.
² Based on a groove material yield strength of 45,000 psi and a safety factor of 2.
³ Based on a safety factor of 3.
⁴ See pages 132-133 for How to Order.

Stock Items available in carbon steel and 302 and 316 stainless steel.

Product Dimensions All dimensions in inches unless otherwise specified.

Smalley Part Number ^{1,4}	Shaft Diameter	Ring			Groove		Thrust Capacity	
		Inside Diameter	Radial Wall	Thickness	Diameter	Width	Groove Yield (lb) ²	Ring Shear (lb) ³
WS-187	1.875	1.789	.128	.049	1.808	.056	4,510	12,120
WS-193	1.938	1.844	.128	.049	1.861	.056	4,660	12,530
WS-196	1.969	1.882	.128	.049	1.902	.056	4,730	12,730
WS-200	2.000	1.909	.128	.049	1.929	.056	4,950	12,930
WS-206	2.062	1.971	.128	.049	1.992	.056	5,100	13,330
WS-212	2.125	2.029	.128	.049	2.051	.056	5,560	13,740
WS-215	2.156	2.060	.138	.049	2.082	.056	5,640	13,940
WS-216	2.165	2.070	.138	.049	2.091	.056	5,660	14,000
WS-218	2.188	2.092	.138	.049	2.113	.056	5,720	14,150
WS-225	2.250	2.153	.138	.049	2.176	.056	5,890	14,550
WS-231	2.312	2.211	.138	.049	2.234	.056	6,370	14,950
WS-236	2.362	2.261	.138	.049	2.284	.056	6,510	15,270
WS-237	2.375	2.273	.138	.049	2.297	.056	6,550	15,360
WS-243	2.437	2.331	.148	.049	2.355	.056	7,060	15,760
WS-250	2.500	2.394	.148	.049	2.418	.056	7,250	16,160
WS-255	2.559	2.449	.148	.049	2.473	.056	7,780	16,550
WS-256	2.562	2.452	.148	.049	2.476	.056	7,790	16,560
WS-262	2.625	2.514	.148	.049	2.539	.056	7,980	16,970
WS-268	2.688	2.572	.158	.049	2.597	.056	8,550	17,380
WS-275	2.750	2.635	.158	.049	2.660	.056	8,750	17,780
WS-281	2.813	2.696	.168	.049	2.722	.056	8,950	18,190
WS-287	2.875	2.755	.168	.049	2.781	.056	9,550	18,590
WS-293	2.937	2.817	.168	.049	2.843	.056	9,760	18,990
WS-295	2.952	2.831	.168	.049	2.858	.056	9,810	19,090
WS-300	3.000	2.877	.168	.061	2.904	.068	10,180	24,150
WS-306	3.062	2.938	.168	.061	2.966	.068	10,390	24,650
WS-312	3.125	3.000	.178	.061	3.027	.068	10,820	25,150
WS-314	3.149	3.023	.178	.061	3.051	.068	10,910	25,350
WS-318	3.187	3.061	.178	.061	3.089	.068	11,040	25,650
WS-325	3.250	3.121	.178	.061	3.150	.068	11,490	26,160
WS-331	3.312	3.180	.188	.061	3.208	.068	12,170	26,660
WS-334	3.343	3.210	.188	.061	3.239	.068	12,290	26,910
WS-337	3.375	3.242	.188	.061	3.271	.068	12,410	27,170
WS-343	3.437	3.301	.188	.061	3.331	.068	12,880	27,660
WS-350	3.500	3.363	.188	.061	3.394	.068	13,110	28,170
WS-354	3.543	3.402	.198	.061	3.433	.068	13,770	28,520
WS-356	3.562	3.422	.198	.061	3.452	.068	13,850	28,670
WS-362	3.625	3.483	.198	.061	3.515	.068	14,090	29,180
WS-368	3.687	3.543	.198	.061	3.575	.068	14,600	29,680
WS-374	3.740	3.597	.198	.061	3.628	.068	14,800	30,100
WS-375	3.750	3.606	.198	.061	3.638	.068	14,840	30,180
WS-381	3.812	3.668	.198	.061	3.700	.068	15,090	30,680
WS-387	3.875	3.724	.208	.061	3.757	.068	16,160	31,190
WS-393	3.938	3.784	.208	.061	3.820	.068	16,420	31,700
WS-400	4.000	3.842	.218	.061	3.876	.068	17,530	32,200
WS-406	4.063	3.906	.218	.061	3.939	.068	17,810	32,700
WS-412	4.125	3.967	.218	.061	4.000	.068	18,080	33,200
WS-413	4.134	3.975	.218	.061	4.010	.068	18,120	33,270
WS-418	4.188	4.030	.218	.061	4.058	.068	19,240	33,710
WS-425	4.250	4.084	.228	.061	4.120	.068	19,530	34,210
WS-431	4.312	4.147	.228	.061	4.182	.068	19,810	34,710
WS-433	4.331	4.164	.228	.061	4.200	.068	19,900	34,860
WS-437	4.375	4.208	.228	.061	4.245	.068	20,100	35,210
WS-443	4.437	4.271	.228	.061	4.307	.068	20,390	35,710
WS-450	4.500	4.326	.238	.061	4.364	.068	21,630	36,220
WS-456	4.562	4.384	.250	.072	4.422	.079	22,570	43,340
WS-462	4.625	4.447	.250	.072	4.485	.079	22,890	43,940
WS-468	4.687	4.508	.250	.072	4.547	.079	23,190	44,530
WS-472	4.724	4.546	.250	.072	4.584	.079	23,370	44,880
WS-475	4.750	4.571	.250	.072	4.610	.079	23,500	45,130
WS-481	4.812	4.633	.250	.072	4.672	.079	23,810	45,720
WS-487	4.875	4.695	.250	.072	4.735	.079	24,120	46,310

¹ Add suffix "-S02" for 302 stainless steel, "-S16" for 316 stainless steel.

² Based on a groove material yield strength of 45,000 psi and a safety factor of 2.

³ Based on a safety factor of 3.

⁴ See pages 132-133 for How to Order.

WS Series - Medium Duty Rings

SPIROLOX RINGS EXCLUSIVELY FROM SMALLEY

Stock Items available in carbon steel and 302 and 316 stainless steel.

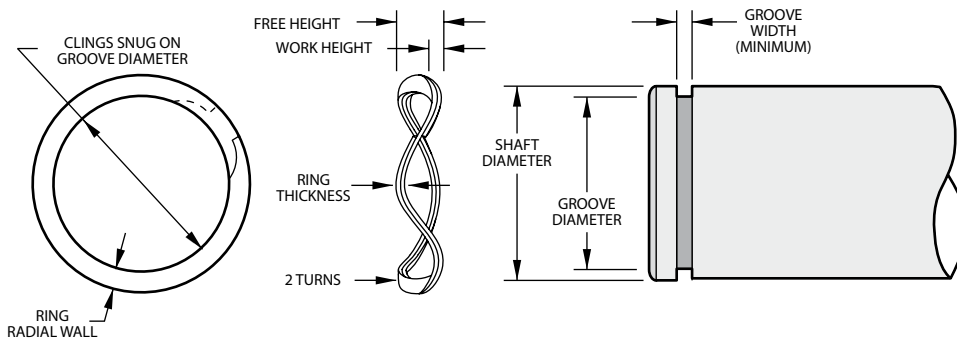
Product Dimensions All dimensions in inches unless otherwise specified.

Smalley Part Number ^{1,4}	Shaft Diameter	Ring			Groove		Thrust Capacity	
		Inside Diameter	Radial Wall	Thickness	Diameter	Width	Groove Yield (lb) ²	Ring Shear (lb) ³
WS-493	4.937	4.757	.250	.072	4.797	.079	24,430	46,900
WS-500	5.000	4.820	.250	.072	4.856	.079	25,450	47,500
WS-511	5.118	4.934	.250	.072	4.974	.079	26,050	48,620
WS-512	5.125	4.939	.250	.072	4.981	.079	26,080	48,690
WS-525	5.250	5.064	.250	.072	5.107	.079	26,720	49,880
WS-537	5.375	5.187	.250	.072	5.228	.079	28,120	51,060
WS-550	5.500	5.308	.250	.072	5.353	.079	28,770	52,250
WS-551	5.511	5.320	.250	.072	5.364	.079	28,830	52,360
WS-562	5.625	5.433	.250	.072	5.478	.079	29,420	53,440
WS-575	5.750	5.550	.250	.072	5.597	.079	31,300	54,630
WS-587	5.875	5.674	.250	.072	5.722	.079	31,980	55,810
WS-590	5.905	5.705	.250	.072	5.752	.079	32,140	56,100
WS-600	6.000	5.798	.250	.072	5.847	.079	32,660	57,000
WS-612	6.125	5.903	.312	.086	5.953	.094	37,230	69,500
WS-625	6.250	6.026	.312	.086	6.078	.094	37,990	70,920
WS-629	6.299	6.076	.312	.086	6.127	.094	38,290	71,480
WS-637	6.375	6.152	.312	.086	6.203	.094	38,750	72,340
WS-650	6.500	6.274	.312	.086	6.328	.094	39,510	73,760
WS-662	6.625	6.390	.312	.086	6.443	.094	42,620	75,180
WS-675	6.750	6.513	.312	.086	6.568	.094	43,420	76,600
WS-687	6.875	6.638	.312	.086	6.693	.094	44,220	78,010
WS-700	7.000	6.761	.312	.086	6.818	.094	45,030	79,430
WS-712	7.125	6.877	.312	.086	6.933	.094	48,350	80,850
WS-725	7.250	6.999	.312	.086	7.058	.094	49,200	82,270
WS-737	7.375	7.125	.312	.086	7.183	.094	50,050	83,690
WS-750	7.500	7.250	.312	.086	7.308	.094	50,890	85,110
WS-762	7.625	7.363	.312	.086	7.423	.094	54,440	86,520
WS-775	7.750	7.486	.312	.086	7.548	.094	55,330	87,940
WS-787	7.875	7.611	.312	.086	7.673	.094	56,220	89,360
WS-800	8.000	7.734	.312	.086	7.798	.094	57,110	90,780
WS-825	8.250	7.972	.375	.086	8.038	.094	61,820	93,620
WS-850	8.500	8.220	.375	.086	8.288	.094	63,690	96,450
WS-875	8.750	8.459	.375	.086	8.528	.094	68,650	99,290
WS-900	9.000	8.707	.375	.086	8.778	.094	70,620	102,130
WS-925	9.250	8.945	.375	.086	9.018	.094	75,850	104,960
WS-950	9.500	9.194	.375	.086	9.268	.094	77,900	107,800
WS-975	9.750	9.432	.375	.086	9.508	.094	83,390	110,640
WS-1000	10.000	9.680	.375	.086	9.758	.094	85,530	113,470
WS-1025	10.250	9.918	.375	.086	9.998	.094	91,290	116,310
WS-1050	10.500	10.166	.375	.086	10.248	.094	93,520	119,150
WS-1075	10.750	10.405	.375	.086	10.488	.094	99,540	121,990
WS-1100	11.000	10.653	.375	.086	10.738	.094	101,860	124,820

¹ Add suffix "-S02" for 302 stainless steel, "-S16" for 316 stainless steel.
² Based on a groove material yield strength of 45,000 psi and a safety factor of 2.
³ Based on a safety factor of 3.
⁴ See pages 132-133 for How to Order.

Get CAD downloads

Simplify your design process by downloading CAD models of standard retaining rings and wave springs at www.smalley.com/cad-models.

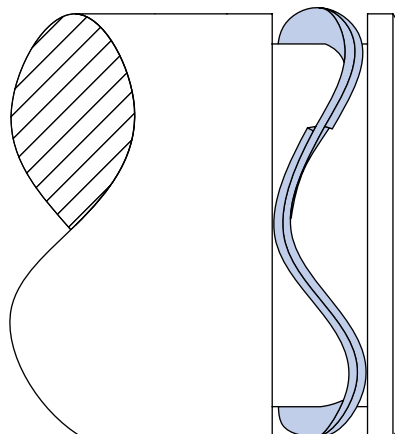


Product Dimensions All dimensions in inches unless otherwise specified.

Smalley Part Number ^{1,2}	Shaft Diameter	Load (lb) @ Work Height	Max. Free Height	Number of Waves	Ring		Crimp	Groove	
					Thickness	Radial Wall		Diameter	Width Min.
WSW-75	.750	25 @ .085	.115	3	.042	.065	N	.704	.120
WSW-87	.875	30 @ .085	.131	3	.042	.075	N	.821	.136
WSW-100	1.000	34 @ .085	.129	3	.042	.085	N	.940	.134
WSW-112	1.125	38 @ .100	.137	3	.050	.128	N	1.059	.142
WSW-125	1.250	40 @ .100	.145	3	.050	.128	N	1.176	.150
WSW-137	1.375	45 @ .100	.130	4	.050	.128	N	1.291	.135
WSW-150	1.500	50 @ .100	.126	4	.050	.128	N	1.406	.131
WSW-162	1.625	55 @ .110	.138	4	.062	.158	N	1.529	.143
WSW-175	1.750	60 @ .110	.137	4	.062	.158	N	1.650	.142
WSW-187	1.875	63 @ .110	.140	4	.062	.158	N	1.769	.145
WSW-200	2.000	65 @ .110	.145	4	.062	.158	N	1.886	.150
WSW-212	2.125	70 @ .130	.170	4	.078	.188	N	2.003	.175
WSW-225	2.250	75 @ .130	.175	4	.078	.188	N	2.120	.180
WSW-237	2.375	80 @ .130	.175	4	.078	.188	N	2.239	.180
WSW-250	2.500	84 @ .130	.171	4	.078	.188	N	2.360	.176
WSW-262	2.625	88 @ .130	.181	4	.078	.188	N	2.481	.190
WSW-275	2.750	94 @ .170	.217	4	.093	.225	Y	2.602	.222
WSW-287	2.875	97 @ .170	.217	4	.093	.225	Y	2.721	.222
WSW-300	3.000	100 @ .170	.225	4	.093	.225	Y	2.838	.230
WSW-312	3.125	103 @ .170	.230	4	.093	.225	Y	2.957	.235
WSW-325	3.250	106 @ .170	.225	4	.093	.225	Y	3.076	.230
WSW-350	3.500	115 @ .185	.245	4	.111	.281	Y	3.316	.250
WSW-362	3.625	117 @ .185	.250	4	.111	.281	Y	3.435	.255
WSW-375	3.750	121 @ .185	.258	4	.111	.281	Y	3.552	.263
WSW-387	3.875	126 @ .185	.255	4	.111	.281	Y	3.673	.260
WSW-400	4.000	130 @ .185	.268	4	.111	.281	Y	3.792	.273
WSW-412	4.125	134 @ .185	.263	4	.111	.281	Y	3.919	.268
WSW-425	4.250	140 @ .185	.248	5	.111	.281	Y	4.065	.253
WSW-450	4.500	150 @ .185	.256	5	.111	.281	Y	4.310	.261
WSW-475	4.750	160 @ .185	.253	5	.111	.281	Y	4.550	.258
WSW-500	5.000	170 @ .185	.259	5	.111	.281	Y	4.790	.264

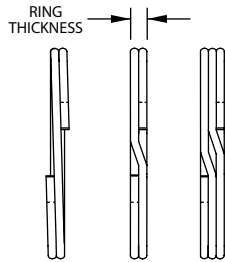
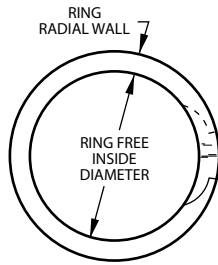
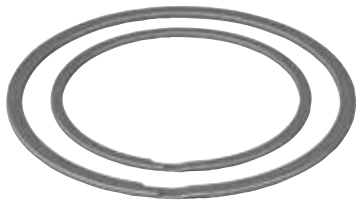
¹ Add suffix "-S17" for stainless steel.

² See pages 132-133 for How to Order.

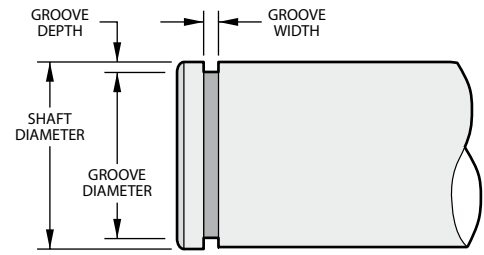


WST Series - Medium Heavy Duty Rings

SPIROLOX RINGS EXCLUSIVELY FROM SMALLEY



WST-46 / WST-150 WST-156 / WST-600 WST-625 & UP



Product Dimensions All dimensions in inches unless otherwise specified.

Smalley Part Number ^{1,4}	Shaft Diameter	Ring			Groove		Thrust Capacity	
		Inside Diameter	Radial Wall	Thickness	Diameter	Width	Groove Yield (lb) ²	Ring Shear (lb) ³
WST-46	.469	.436	.045	.025	.443	.029	430	1,800
WST-50	.500	.469	.045	.035	.474	.039	460	2,530
WST-55	.551	.518	.045	.035	.524	.039	550	2,790
WST-56	.562	.529	.045	.035	.535	.039	560	2,840
WST-59	.594	.559	.045	.035	.565	.039	630	3,000
WST-62	.625	.590	.055	.035	.596	.039	660	3,160
WST-66	.669	.630	.055	.035	.638	.039	760	3,380
WST-68	.688	.648	.065	.042	.655	.046	830	4,180
WST-75	.750	.708	.065	.042	.715	.046	950	4,550
WST-78	.781	.738	.065	.042	.745	.046	990	4,740
WST-81	.812	.768	.065	.042	.776	.046	1,030	4,930
WST-87	.875	.827	.075	.042	.835	.046	1,240	5,310
WST-93	.938	.886	.075	.042	.894	.046	1,460	5,690
WST-98	.984	.934	.075	.042	.940	.046	1,530	5,970
WST-100	1.000	.947	.075	.042	.955	.046	1,630	6,070
WST-102	1.023	.969	.075	.042	.977	.046	1,660	6,210
WST-106	1.062	1.005	.088	.050	1.015	.056	1,800	7,010
WST-112	1.125	1.064	.088	.050	1.075	.056	1,990	7,420
WST-118	1.188	1.126	.088	.050	1.135	.056	2,270	7,370
WST-125	1.250	1.184	.093	.050	1.195	.056	2,470	8,250
WST-131	1.312	1.240	.098	.050	1.250	.056	2,880	8,660
WST-137	1.375	1.298	.103	.050	1.310	.056	3,210	9,070
WST-143	1.438	1.359	.103	.050	1.370	.056	3,460	9,490
WST-150	1.500	1.419	.103	.050	1.430	.056	3,710	9,900
WST-156	1.562	1.476	.113	.062	1.490	.068	3,980	12,780
WST-162	1.625	1.537	.118	.062	1.550	.068	4,370	13,290
WST-168	1.687	1.598	.118	.062	1.610	.068	4,650	13,800
WST-175	1.750	1.657	.118	.062	1.670	.068	4,950	14,320
WST-177	1.771	1.676	.123	.062	1.689	.068	5,130	14,490
WST-181	1.812	1.714	.123	.062	1.730	.068	5,250	14,820
WST-187	1.875	1.774	.123	.062	1.790	.068	5,700	15,340
WST-196	1.969	1.864	.123	.062	1.879	.068	6,260	16,110
WST-200	2.000	1.894	.128	.062	1.910	.068	6,360	16,360
WST-206	2.062	1.955	.141	.078	1.970	.086	6,710	21,220
WST-212	2.125	2.012	.141	.078	2.027	.086	7,360	21,870
WST-215	2.156	2.041	.141	.078	2.057	.086	7,620	22,190
WST-225	2.250	2.129	.141	.078	2.145	.086	8,430	23,160
WST-231	2.312	2.188	.141	.078	2.205	.086	8,830	23,800
WST-237	2.375	2.248	.141	.078	2.265	.086	9,230	24,440
WST-243	2.437	2.307	.141	.078	2.325	.086	9,650	25,080
WST-250	2.500	2.366	.188	.078	2.385	.086	10,250	25,730
WST-255	2.559	2.424	.188	.078	2.443	.086	10,490	26,340
WST-262	2.625	2.485	.188	.078	2.505	.086	11,130	27,020
WST-268	2.687	2.545	.188	.078	2.565	.086	11,590	27,660

¹ Add suffix "-S02" for 302 stainless steel, "-S16" for 316 stainless steel.
² Based on a groove material yield strength of 45,000 psi and a safety factor of 2.
³ Based on a safety factor of 3.
⁴ See pages 132-133 for How to Order.

Smalley Part Number ^{1,4}	Shaft Diameter	Ring			Groove		Thrust Capacity	
		Inside Diameter	Radial Wall	Thickness	Diameter	Width	Groove Yield (lb) ²	Ring Shear (lb) ³
WST-275	2.750	2.604	.188	.093	2.625	.103	12,250	32,140
WST-287	2.875	2.722	.188	.093	2.742	.103	13,620	33,600
WST-293	2.937	2.780	.188	.093	2.801	.103	14,120	34,320
WST-300	3.000	2.838	.188	.093	2.860	.103	14,840	35,060
WST-306	3.062	2.897	.188	.093	2.920	.103	15,370	35,790
WST-312	3.125	2.957	.188	.093	2.980	.103	16,130	36,520
WST-315	3.156	2.986	.188	.093	3.010	.103	16,290	36,880
WST-325	3.250	3.075	.188	.093	3.100	.103	17,230	37,980
WST-334	3.344	3.164	.188	.093	3.190	.103	18,200	39,080
WST-343	3.437	3.254	.188	.093	3.280	.103	19,190	40,170
WST-350	3.500	3.315	.250	.111	3.340	.120	19,790	48,820
WST-354	3.543	3.356	.250	.111	3.381	.120	20,290	49,420
WST-362	3.625	3.433	.250	.111	3.458	.120	21,520	50,560
WST-368	3.687	3.490	.250	.111	3.517	.120	22,150	51,430
WST-375	3.750	3.550	.250	.111	3.577	.120	23,060	52,310
WST-387	3.875	3.670	.250	.111	3.696	.120	24,650	54,050
WST-393	3.938	3.730	.250	.111	3.756	.120	25,330	54,930
WST-400	4.000	3.787	.250	.111	3.815	.120	26,300	55,800
WST-425	4.250	4.032	.250	.111	4.065	.120	27,940	59,280
WST-437	4.375	4.162	.250	.111	4.190	.120	28,760	61,030
WST-450	4.500	4.280	.250	.111	4.310	.120	30,220	62,770
WST-475	4.750	4.515	.250	.111	4.550	.120	33,580	66,260
WST-500	5.000	4.755	.250	.111	4.790	.120	37,110	69,740
WST-525	5.250	4.995	.375	.127	5.030	.139	40,820	83,790
WST-550	5.500	5.229	.375	.127	5.265	.139	45,880	87,780
WST-575	5.750	5.466	.375	.127	5.505	.139	49,990	91,770
WST-600	6.000	5.705	.375	.127	5.745	.139	54,290	95,760

¹ Add suffix "-S02" for 302 stainless steel, "-S16" for 316 stainless steel.

² Based on a groove material yield strength of 45,000 psi and a safety factor of 2.

³ Based on a safety factor of 3.

⁴ See pages 132-133 for How to Order.

Rings listed below are three-turn construction.

Smalley Part Number ^{1,4}	Shaft Diameter	Ring			Groove		Thrust Capacity	
		Inside Diameter	Radial Wall	Thickness	Diameter	Width	Groove Yield (lb) ²	Ring Shear (lb) ³
WST-625	6.250	5.942	.312	.165	5.985	.174	58,760	129,590
WST-650	6.500	6.182	.312	.165	6.225	.174	63,410	134,780
WST-675	6.750	6.420	.312	.165	6.465	.174	68,230	139,960
WST-700	7.000	6.658	.312	.165	6.705	.174	73,230	145,140
WST-725	7.250	6.894	.312	.165	6.942	.174	78,290	172,190
WST-750	7.500	7.130	.375	.189	7.180	.209	84,820	178,130
WST-775	7.750	7.368	.375	.189	7.420	.209	90,390	184,070
WST-800	8.000	7.607	.375	.189	7.660	.209	96,130	190,000
WST-825	8.250	7.845	.375	.189	7.900	.209	102,050	195,940
WST-850	8.500	8.083	.375	.189	8.140	.209	108,150	201,880
WST-875	8.750	8.321	.375	.189	8.383	.209	113,800	207,820
WST-900	9.000	8.560	.375	.189	8.620	.209	120,870	213,750
WST-925	9.250	8.798	.375	.189	8.860	.209	127,500	219,690
WST-950	9.500	9.036	.375	.189	9.100	.209	134,300	225,630
WST-975	9.750	9.273	.375	.189	9.338	.209	141,970	231,570
WST-1000	10.000	9.508	.375	.189	9.575	.209	150,560	237,500

¹ Add suffix "-S02" for 302 stainless steel, "-S16" for 316 stainless steel.

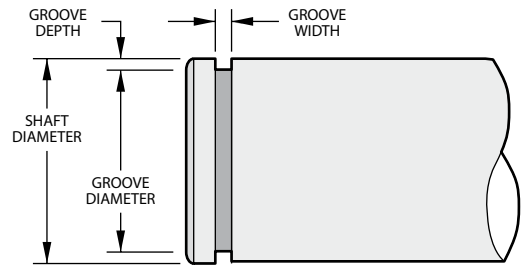
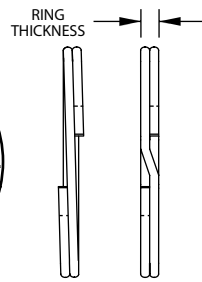
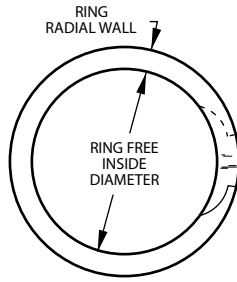
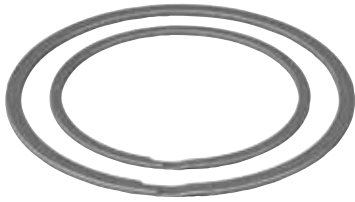
² Based on a groove material yield strength of 45,000 psi and a safety factor of 2.

³ Based on a safety factor of 3.

⁴ See pages 132-133 for How to Order.

WSM Series - Heavy Duty Rings

SPIROLOX RINGS EXCLUSIVELY FROM SMALLEY



AS3216, AS4299
MIL-DTL-27426/2

WSM-25 / WSM-66
WSM-68 & UP

Product Dimensions All dimensions in inches unless otherwise specified.

Smalley Part Number ^{1,4}	Shaft Diameter	Ring			Groove		Thrust Capacity	
		Inside Diameter	Radial Wall	Thickness	Diameter	Width	Groove Yield (lb) ²	Ring Shear (lb) ³
WSM-25 ^{5,6}	.250	.228	.020	.025	.230	.029	177	961
WSM-31 ^{5,6}	.312	.287	.025	.025	.290	.029	243	1,200
WSM-37 ^{5,6}	.375	.349	.030	.025	.352	.029	305	1,442
WSM-43 ⁶	.437	.409	.035	.025	.412	.029	386	1,680
WSM-46	.469	.439	.045	.025	.443	.029	430	1,880
WSM-50	.500	.464	.050	.035	.468	.039	570	2,530
WSM-55	.551	.514	.050	.035	.519	.039	620	2,790
WSM-56	.562	.525	.050	.035	.530	.039	640	2,840
WSM-59	.594	.554	.050	.035	.559	.039	760	3,000
WSM-62	.625	.583	.055	.035	.588	.039	840	3,160
WSM-66	.669	.623	.055	.035	.629	.039	950	3,380
WSM-68	.688	.641	.065	.042	.646	.046	1,020	4,180
WSM-75	.750	.698	.065	.042	.704	.046	1,220	4,550
WSM-78	.781	.727	.065	.042	.733	.046	1,330	4,740
WSM-81	.812	.756	.065	.042	.762	.046	1,440	4,930
WSM-87	.875	.814	.075	.042	.821	.046	1,670	5,310
WSM-93	.938	.875	.075	.042	.882	.046	1,860	5,690
WSM-98	.984	.919	.085	.042	.926	.046	2,020	5,970
WSM-100	1.000	.932	.085	.042	.940	.046	2,120	6,070
WSM-102	1.023	.953	.085	.042	.961	.046	2,240	6,210
WSM-106	1.062	.986	.103	.050	.998	.056	2,400	7,010
WSM-112	1.125	1.047	.103	.050	1.059	.056	2,620	7,420
WSM-118	1.188	1.105	.103	.050	1.118	.056	2,940	7,840
WSM-125	1.250	1.163	.103	.050	1.176	.056	3,270	8,250
WSM-131	1.312	1.218	.118	.050	1.232	.056	3,710	8,660
WSM-137	1.375	1.277	.118	.050	1.291	.056	4,080	9,070
WSM-143	1.438	1.336	.118	.050	1.350	.056	4,470	9,490
WSM-150	1.500	1.385	.118	.050	1.406	.056	4,980	9,900
WSM-156	1.562	1.453	.128	.062	1.468	.068	5,190	12,780
WSM-162	1.625	1.513	.128	.062	1.529	.068	5,510	13,290
WSM-168	1.687	1.573	.128	.062	1.589	.068	5,840	13,800
WSM-175	1.750	1.633	.128	.062	1.650	.068	6,190	14,320
WSM-177	1.771	1.651	.128	.062	1.669	.068	6,380	14,490
WSM-181	1.812	1.690	.128	.062	1.708	.068	6,660	14,820
WSM-187	1.875	1.751	.158	.062	1.769	.068	7,020	15,340
WSM-196	1.969	1.838	.158	.062	1.857	.068	7,790	16,110
WSM-200	2.000	1.867	.158	.062	1.886	.068	8,060	16,360
WSM-206	2.062	1.932	.168	.078	1.946	.086	8,450	21,220
WSM-212	2.125	1.989	.168	.078	2.003	.086	9,160	21,870
WSM-215	2.156	2.018	.168	.078	2.032	.086	9,450	22,190
WSM-225	2.250	2.105	.168	.078	2.120	.086	10,340	23,160
WSM-231	2.312	2.163	.168	.078	2.178	.086	10,950	23,800
WSM-237	2.375	2.223	.200	.078	2.239	.086	11,420	24,440
WSM-243	2.437	2.283	.200	.078	2.299	.086	11,890	25,080
WSM-250	2.500	2.343	.200	.078	2.360	.086	12,370	25,730
WSM-255	2.559	2.402	.200	.078	2.419	.086	12,660	26,340
WSM-262	2.625	2.464	.200	.078	2.481	.086	13,360	27,020
WSM-268	2.687	2.523	.200	.078	2.541	.086	13,870	27,660

¹ Add suffix "-S02" for 302 stainless steel, "-S16" for 316 stainless steel.
² Based on a groove material yield strength of 45,000 psi and a safety factor of 2.
³ Based on a safety factor of 3.

⁴ See pages 132-133 for How to Order.
⁵ No removal notch.
⁶ Square edge wire.

Stock Items available in carbon steel and 302 and 316 stainless steel.

Product Dimensions All dimensions in inches unless otherwise specified.

Smalley Part Number ^{1,4}	Shaft Diameter	Ring			Groove		Thrust Capacity	
		Inside Diameter	Radial Wall	Thickness	Diameter	Width	Groove Yield (lb) ²	Ring Shear (lb) ³
WSM-275	2.750	2.584	.225	.093	2.602	.103	14,390	32,140
WSM-287	2.875	2.702	.225	.093	2.721	.103	15,650	33,600
WSM-293	2.937	2.760	.225	.093	2.779	.103	16,400	34,320
WSM-300	3.000	2.818	.225	.093	2.838	.103	17,180	35,060
WSM-306	3.062	2.878	.225	.093	2.898	.103	17,750	35,790
WSM-312	3.125	2.936	.225	.093	2.957	.103	18,560	36,520
WSM-315	3.156	2.965	.225	.093	2.986	.103	18,960	36,880
WSM-325	3.250	3.054	.225	.093	3.076	.103	19,990	37,980
WSM-334	3.344	3.144	.225	.093	3.166	.103	21,040	39,080
WSM-343	3.437	3.234	.225	.093	3.257	.103	21,870	40,170
WSM-350	3.500	3.293	.270	.111	3.316	.120	22,760	48,820
WSM-354	3.543	3.333	.270	.111	3.357	.120	23,290	49,420
WSM-362	3.625	3.411	.270	.111	3.435	.120	24,340	50,560
WSM-368	3.687	3.469	.270	.111	3.493	.120	25,280	51,430
WSM-375	3.750	3.527	.270	.111	3.552	.120	26,240	52,310
WSM-387	3.875	3.647	.270	.111	3.673	.120	27,670	54,050
WSM-393	3.938	3.708	.270	.111	3.734	.120	28,390	54,930
WSM-400	4.000	3.765	.270	.111	3.792	.120	29,410	55,800
WSM-425	4.250	4.037	.270	.111	4.065	.120	27,940	59,280
WSM-437	4.375	4.161	.270	.111	4.190	.120	28,760	61,030
WSM-450	4.500	4.280	.270	.111	4.310	.120	30,220	62,770
WSM-475	4.750	4.518	.270	.111	4.550	.120	36,930	66,260
WSM-500	5.000	4.756	.270	.111	4.790	.120	37,110	69,740
WSM-525	5.250	4.995	.350	.127	5.030	.139	40,820	83,790
WSM-550	5.500	5.228	.350	.127	5.265	.139	45,880	87,780
WSM-575	5.750	5.466	.350	.127	5.505	.139	49,990	91,770
WSM-600	6.000	5.705	.350	.127	5.745	.139	54,290	95,760
WSM-625	6.250	5.938	.418	.156	5.985	.174	58,760	122,520
WSM-650	6.500	6.181	.418	.156	6.225	.174	63,410	127,420
WSM-675	6.750	6.410	.418	.156	6.465	.174	68,230	132,330
WSM-700	7.000	6.648	.418	.156	6.705	.174	73,230	137,230
WSM-725	7.250	6.891	.418	.156	6.942	.174	78,920	142,130
WSM-750	7.500	7.130	.437	.187	7.180	.209	84,820	176,240
WSM-775	7.750	7.368	.437	.187	7.420	.209	90,390	182,120
WSM-800	8.000	7.606	.437	.187	7.660	.209	96,130	187,990
WSM-825	8.250	7.845	.437	.187	7.900	.209	102,050	193,870
WSM-850	8.500	8.083	.437	.187	8.140	.209	108,150	199,740
WSM-875	8.750	8.324	.437	.187	8.383	.209	113,800	205,620
WSM-900	9.000	8.560	.500	.187	8.620	.209	120,870	211,490
WSM-925	9.250	8.798	.500	.187	8.860	.209	127,500	217,370
WSM-950	9.500	9.036	.500	.187	9.100	.209	134,300	223,240
WSM-975	9.750	9.275	.500	.187	9.338	.209	141,970	229,120
WSM-1000	10.000	9.508	.500	.187	9.575	.209	150,560	234,990
WSM-1025	10.250	9.745	.500	.187	9.814	.209	157,950	240,870
WSM-1050	10.500	9.984	.500	.187	10.054	.209	165,510	246,740
WSM-1075	10.750	10.221	.500	.187	10.293	.209	174,010	252,620
WSM-1100	11.000	10.459	.500	.187	10.533	.209	181,950	258,490
WSM-1125	11.250	10.692	.500	.187	10.772	.209	190,060	264,360
WSM-1150	11.500	10.934	.562	.187	11.011	.209	199,160	270,240
WSM-1175	11.750	11.171	.562	.187	11.250	.209	207,640	276,120
WSM-1200	12.000	11.410	.562	.187	11.490	.209	216,300	281,990
WSM-1225	12.250	11.647	.562	.187	11.729	.209	226,000	287,860
WSM-1250	12.500	11.885	.562	.187	11.969	.209	235,030	293,740
WSM-1275	12.750	12.124	.562	.187	12.208	.209	244,240	299,610
WSM-1300	13.000	12.361	.662	.187	12.448	.209	253,620	305,490
WSM-1325	13.250	12.598	.662	.187	12.687	.209	264,120	311,360
WSM-1350	13.500	12.837	.662	.187	12.927	.209	273,870	317,240
WSM-1375	13.750	13.074	.662	.187	13.166	.209	283,800	323,110
WSM-1400	14.000	13.311	.662	.187	13.405	.209	294,900	328,990
WSM-1425	14.250	13.548	.662	.187	13.644	.209	305,200	334,860
WSM-1450	14.500	13.787	.750	.187	13.884	.209	315,680	340,740
WSM-1475	14.750	14.024	.750	.187	14.123	.209	327,380	346,610
WSM-1500	15.000	14.262	.750	.187	14.363	.209	338,230	352,490

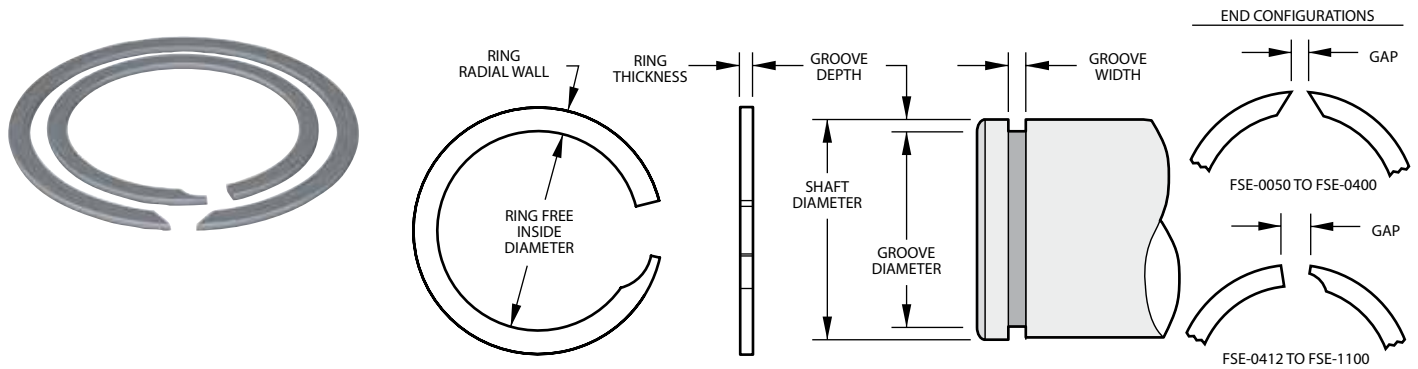
¹ Add suffix "-S02" for 302 stainless steel, "-S16" for 316 stainless steel.

² Based on a groove material yield strength of 45,000 psi and a safety factor of 2.

³ Based on a safety factor of 3.

⁴ See pages 132-133 for How to Order.

FSE Series - Constant Section Rings



Product Dimensions All dimensions in inches unless otherwise specified.

Smalley Part Number ^{1,4,5}	Shaft Diameter	Ring			Groove		Thrust Capacity	
		Inside Diameter	Radial Wall	Thickness	Diameter	Width	Groove Yield (lb) ²	Ring Shear (lb) ³
FSE-0050	.500	.471	.055	.037	.476	.043	424	2,325
FSE-0056	.562	.524	.055	.037	.532	.043	596	2,613
FSE-0062	.625	.590	.065	.037	.595	.043	663	2,906
FSE-0068	.687	.649	.065	.037	.655	.043	777	3,194
FSE-0075	.750	.701	.075	.045	.710	.051	1,060	4,241
FSE-0081	.812	.764	.075	.045	.772	.051	1,148	4,592
FSE-0087	.875	.820	.075	.045	.831	.051	1,361	4,948
FSE-0093	.937	.886	.085	.045	.893	.051	1,457	5,334
FSE-0100	1.000	.933	.085	.045	.952	.051	1,696	5,693
FSE-0106	1.062	1.004	.085	.045	1.014	.051	1,802	6,045
FSE-0112	1.125	1.069	.128	.057	1.077	.063	1,909	7,615
FSE-0118	1.187	1.116	.128	.057	1.131	.063	2,349	8,035
FSE-0125	1.250	1.176	.128	.057	1.188	.063	2,739	8,461
FSE-0131	1.312	1.223	.128	.057	1.242	.063	3,246	8,881
FSE-0137	1.375	1.282	.128	.057	1.297	.063	3,791	9,307
FSE-0143	1.437	1.344	.158	.067	1.359	.073	3,961	11,408
FSE-0150	1.500	1.402	.158	.067	1.422	.073	4,135	11,908
FSE-0156	1.562	1.457	.158	.067	1.470	.073	5,079	12,400
FSE-0162	1.625	1.517	.158	.067	1.533	.073	5,284	12,901
FSE-0168	1.687	1.578	.158	.067	1.595	.073	5,485	13,393
FSE-0175	1.750	1.640	.158	.067	1.658	.073	5,690	13,893
FSE-0181	1.812	1.697	.158	.067	1.720	.073	5,892	14,385
FSE-0187	1.875	1.767	.158	.067	1.783	.073	6,097	14,885
FSE-0193	1.937	1.800	.200	.076	1.819	.085	8,078	16,649
FSE-0200	2.000	1.862	.200	.076	1.882	.085	8,341	17,191
FSE-0206	2.062	1.924	.200	.076	1.944	.085	8,599	17,724
FSE-0212	2.125	1.987	.200	.076	2.007	.085	8,862	18,265
FSE-0218	2.187	2.048	.200	.076	2.069	.085	9,121	18,798
FSE-0225	2.250	2.110	.200	.076	2.132	.085	9,384	19,340
FSE-0231	2.312	2.171	.200	.076	2.194	.085	9,642	19,873
FSE-0237	2.375	2.226	.200	.076	2.257	.085	9,905	20,414
FSE-0243	2.437	2.296	.200	.076	2.319	.085	10,163	20,947
FSE-0250	2.500	2.357	.200	.076	2.382	.085	10,426	21,488
FSE-0256	2.562	2.415	.200	.095	2.444	.104	10,685	26,252
FSE-0262	2.625	2.486	.200	.095	2.507	.104	10,947	26,898
FSE-0268	2.687	2.537	.200	.095	2.569	.104	11,206	27,533
FSE-0275	2.750	2.607	.200	.095	2.632	.104	11,469	28,179
FSE-0281	2.812	2.665	.200	.095	2.694	.104	11,727	28,814
FSE-0287	2.875	2.727	.200	.095	2.757	.104	11,990	29,460
FSE-0293	2.937	2.789	.200	.095	2.819	.104	12,249	30,095

¹ Add suffix "-S02" for 302 stainless steel.

² Based on a groove material yield strength of 45,000 psi and a safety factor of 2.

³ Based on a safety factor of 3.

⁴ See pages 132-133 for How to Order.

⁵ Square edge wire.

Stock Items available in carbon steel and 302 stainless steel.

Product Dimensions All dimensions in inches unless otherwise specified.

Smalley Part Number ^{1, 4, 5}	Shaft Diameter	Ring			Groove		Thrust Capacity	
		Inside Diameter	Radial Wall	Thickness	Diameter	Width	Groove Yield (lb) ²	Ring Shear (lb) ³
FSE-0300	3.000	2.852	.200	.095	2.882	.104	12,511	30,740
FSE-0306	3.062	2.916	.200	.095	2.944	.104	12,770	31,376
FSE-0312	3.125	2.955	.237	.095	2.987	.104	15,242	32,021
FSE-0318	3.187	3.016	.237	.095	3.049	.104	15,544	32,657
FSE-0325	3.250	3.079	.237	.095	3.112	.104	15,851	33,302
FSE-0331	3.312	3.140	.248	.115	3.174	.124	16,154	39,088
FSE-0337	3.375	3.203	.248	.115	3.237	.124	16,461	39,831
FSE-0343	3.437	3.264	.248	.115	3.299	.124	16,763	40,563
FSE-0350	3.500	3.326	.248	.115	3.362	.124	17,071	41,307
FSE-0356	3.562	3.378	.248	.115	3.424	.124	17,373	42,038
FSE-0362	3.625	3.451	.248	.115	3.487	.124	17,680	42,782
FSE-0368	3.687	3.512	.248	.115	3.549	.124	17,983	43,514
FSE-0375	3.750	3.570	.248	.115	3.612	.124	18,290	44,257
FSE-0381	3.812	3.636	.248	.115	3.674	.124	18,592	44,989
FSE-0387	3.875	3.689	.248	.115	3.737	.124	18,900	45,732
FSE-0393	3.937	3.760	.248	.115	3.799	.124	19,202	46,464
FSE-0400	4.000	3.828	.248	.115	3.862	.124	19,509	47,208
FSE-0412	4.125	3.930	.265	.153	3.967	.163	23,035	62,126
FSE-0425	4.250	4.050	.265	.153	4.092	.163	23,733	64,008
FSE-0437	4.375	4.174	.265	.153	4.217	.163	24,431	65,891
FSE-0450	4.500	4.297	.265	.153	4.342	.163	25,129	67,774
FSE-0462	4.625	4.421	.265	.153	4.467	.163	25,827	69,656
FSE-0475	4.750	4.530	.265	.153	4.592	.163	26,525	71,539
FSE-0487	4.875	4.668	.265	.153	4.717	.163	27,223	73,421
FSE-0500	5.000	4.792	.265	.153	4.842	.163	27,921	75,304
FSE-0525	5.250	5.039	.265	.153	5.092	.163	29,317	79,069
FSE-0550	5.500	5.292	.265	.153	5.342	.163	30,713	82,834
FSE-0575	5.750	5.535	.265	.153	5.592	.163	32,109	86,599
FSE-0600	6.000	5.744	.316	.153	5.804	.163	41,563	90,365
FSE-0625	6.250	5.992	.316	.153	6.054	.163	43,295	94,130
FSE-0650	6.500	6.236	.316	.153	6.304	.163	45,027	97,895
FSE-0675	6.750	6.486	.316	.153	6.554	.163	46,759	101,727
FSE-0700	7.000	6.734	.316	.153	6.804	.163	48,490	105,494
FSE-0725	7.250	6.993	.316	.153	7.054	.163	50,222	109,262
FSE-0750	7.500	7.219	.316	.153	7.304	.163	51,954	113,030
FSE-0775	7.750	7.477	.316	.153	7.554	.163	53,686	116,797
FSE-0800	8.000	7.683	.435	.192	7.764	.203	66,727	142,932
FSE-0825	8.250	7.940	.435	.192	8.014	.203	68,813	147,399
FSE-0850	8.500	8.179	.435	.192	8.264	.203	70,898	151,866
FSE-0875	8.750	8.427	.435	.192	8.514	.203	72,983	156,332
FSE-0900	9.000	8.673	.435	.192	8.764	.203	75,068	160,799
FSE-0925	9.250	8.922	.435	.192	9.014	.203	77,154	165,265
FSE-0950	9.500	9.130	.435	.192	9.240	.203	87,297	169,732
FSE-0975	9.750	9.393	.435	.192	9.490	.203	89,594	174,199
FSE-1000	10.000	9.586	.500	.192	9.686	.203	110,977	178,665
FSE-1025	10.250	9.826	.500	.192	9.936	.203	113,751	183,132
FSE-1050	10.500	10.081	.500	.192	10.186	.203	116,526	187,599
FSE-1075	10.750	10.329	.500	.192	10.436	.203	119,300	192,065
FSE-1100	11.000	10.584	.500	.192	10.686	.203	122,074	196,532

¹ Add suffix "-S02" for 302 stainless steel.

² Based on a groove material yield strength of 45,000 psi and a safety factor of 2.

³ Based on a safety factor of 3.

⁴ See pages 132-133 for How to Order.

⁵ Square edge wire.

Request FREE samples

Get free samples of any standard catalog item at www.smalley.com/samples.

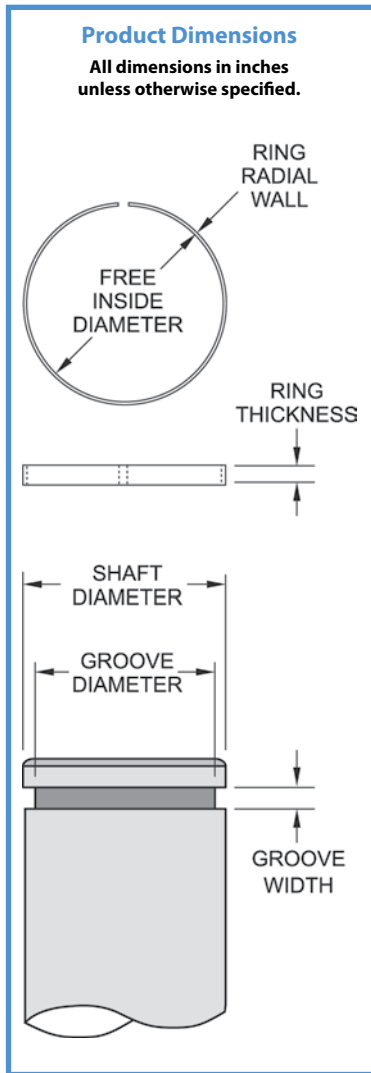
Or use form on page 131 of this catalog. Requests typically processed within 24 hours.

HS Series - Hoopster® Rings



Stock Items available in carbon steel and 302 stainless steel.

Smalley Part Number ^{1,3,5}	Shaft Diameter	Ring			Groove		Groove Yield (lb) ²
		Inside Diameter	Radial Wall	Thickness	Diameter ⁴	Width	
HS-37	.375	.351	.017	.045	.358	.050	225
HS-43	.437	.411	.017	.045	.420	.050	263
HS-46	.469	.443	.017	.045	.452	.050	282
HS-50	.500	.469	.021	.065	.479	.070	371
HS-53	.531	.499	.021	.065	.510	.070	394
HS-56	.562	.530	.021	.065	.541	.070	417
HS-59	.594	.561	.021	.065	.573	.070	441
HS-62	.625	.592	.021	.065	.604	.070	464
HS-65	.656	.622	.021	.065	.635	.070	487
HS-68	.688	.653	.021	.065	.667	.070	511
HS-71	.718	.680	.024	.088	.694	.093	609
HS-75	.750	.711	.024	.088	.726	.093	636
HS-78	.781	.741	.024	.088	.757	.093	662
HS-81	.812	.772	.024	.088	.788	.093	689
HS-84	.843	.802	.024	.088	.819	.093	715
HS-87	.875	.834	.024	.088	.851	.093	742
HS-90	.906	.864	.024	.088	.882	.093	768
HS-93	.938	.895	.024	.088	.914	.093	796
HS-96	.968	.925	.024	.088	.944	.093	821
HS-100	1.000	.956	.024	.088	.976	.093	848
HS-103	1.031	.980	.030	.118	1.001	.123	1,093
HS-106	1.062	1.011	.030	.118	1.032	.123	1,126
HS-109	1.093	1.041	.030	.118	1.063	.123	1,159
HS-112	1.125	1.073	.030	.118	1.095	.123	1,193
HS-115	1.156	1.103	.030	.118	1.126	.123	1,226
HS-118	1.188	1.134	.030	.118	1.158	.123	1,260
HS-121	1.218	1.164	.030	.118	1.188	.123	1,291
HS-125	1.250	1.195	.030	.118	1.220	.123	1,325
HS-128	1.281	1.225	.030	.118	1.251	.123	1,358
HS-131	1.312	1.252	.034	.150	1.278	.155	1,577
HS-134	1.343	1.282	.034	.150	1.309	.155	1,614
HS-137	1.375	1.314	.034	.150	1.341	.155	1,652
HS-140	1.406	1.344	.034	.150	1.372	.155	1,690
HS-143	1.437	1.374	.034	.150	1.403	.155	1,727
HS-146	1.468	1.405	.034	.150	1.434	.155	1,765
HS-150	1.500	1.436	.034	.150	1.466	.155	1,802
HS-156	1.562	1.497	.034	.150	1.528	.155	1,877
HS-162	1.625	1.559	.034	.150	1.591	.155	1,953
HS-168	1.688	1.619	.034	.150	1.653	.155	2,028
HS-175	1.750	1.677	.038	.187	1.712	.193	2,350
HS-181	1.812	1.739	.038	.187	1.775	.193	2,434
HS-187	1.875	1.800	.038	.187	1.837	.193	2,518
HS-193	1.938	1.861	.038	.187	1.900	.193	2,603
HS-200	2.000	1.922	.038	.187	1.962	.193	2,686
HS-206	2.062	1.983	.038	.187	2.024	.193	2,769
HS-212	2.125	2.045	.038	.187	2.087	.193	2,854
HS-218	2.188	2.106	.038	.187	2.150	.193	2,939
HS-225	2.250	2.167	.038	.187	2.212	.193	3,022
HS-231	2.312	2.228	.038	.187	2.274	.193	3,105
HS-237	2.375	2.290	.038	.187	2.337	.193	3,190
HS-243	2.437	2.343	.045	.225	2.392	.232	3,876
HS-250	2.500	2.405	.045	.225	2.455	.232	3,976
HS-256	2.562	2.466	.045	.225	2.517	.232	4,075
HS-262	2.625	2.528	.045	.225	2.580	.232	4,175
HS-268	2.688	2.589	.045	.225	2.643	.232	4,275
HS-275	2.750	2.650	.045	.225	2.705	.232	4,374
HS-281	2.812	2.712	.045	.225	2.768	.232	4,472
HS-287	2.875	2.773	.045	.225	2.830	.232	4,572
HS-293	2.938	2.833	.045	.225	2.892	.232	4,673
HS-300	3.000	2.895	.045	.225	2.955	.232	4,771



¹ Add suffix "-S02" for 302 stainless steel.

² Based on a groove material yield strength of 45,000 psi and a safety factor of 2.

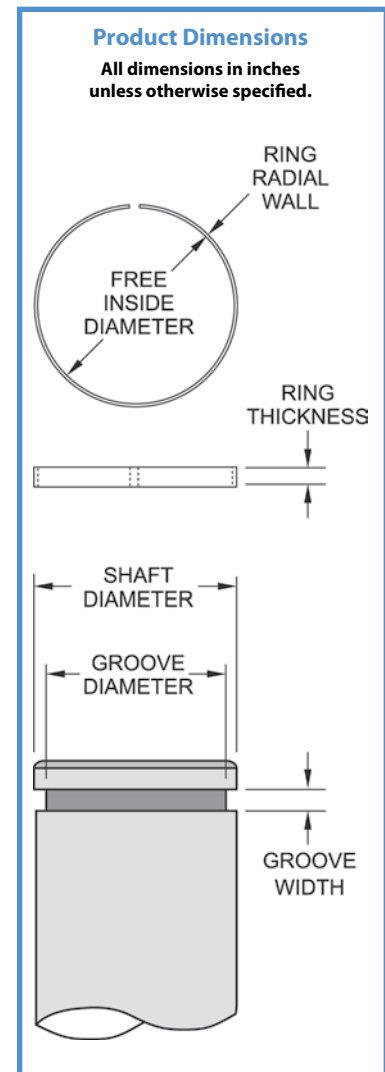
³ See pages 132-133 for How to Order.

⁴ Sharp corners on the groove required, see page 127 for more information.

⁵ Square edge wire.

Stock Items available in carbon steel and 302 stainless steel.

Smalley Part Number ^{1, 3, 5}	Shaft Diameter	Ring			Groove		Groove Yield (N) ²
		Inside Diameter	Radial Wall	Thickness	Diameter ⁴	Width	
HSM-10	10	9.37	.43	1.14	9.57	1.27	1,051
HSM-11	11	10.35	.43	1.14	10.57	1.27	1,156
HSM-12	12	11.33	.43	1.14	11.57	1.27	1,262
HSM-13	13	12.21	.53	1.65	12.47	1.78	1,688
HSM-14	14	13.19	.53	1.65	13.47	1.78	1,818
HSM-15	15	14.17	.53	1.65	14.47	1.78	1,948
HSM-16	16	15.15	.53	1.65	15.47	1.78	2,078
HSM-17	17	16.13	.53	1.65	16.47	1.78	2,208
HSM-18	18	17.03	.61	2.24	17.39	2.36	2,672
HSM-19	19	18.01	.61	2.24	18.39	2.36	2,820
HSM-20	20	18.99	.61	2.24	19.39	2.36	2,968
HSM-21	21	19.97	.61	2.24	20.39	2.36	3,117
HSM-22	22	20.95	.61	2.24	21.39	2.36	3,265
HSM-23	23	21.93	.61	2.24	22.39	2.36	3,414
HSM-24	24	22.91	.61	2.24	23.39	2.36	3,562
HSM-25	25	23.89	.61	2.24	24.39	2.36	3,711
HSM-26	26	24.72	.76	3.00	25.24	3.12	4,824
HSM-27	27	25.70	.76	3.00	26.24	3.12	5,009
HSM-28	28	26.68	.76	3.00	27.24	3.12	5,195
HSM-29	29	27.66	.76	3.00	28.24	3.12	5,380
HSM-30	30	28.64	.76	3.00	29.24	3.12	5,566
HSM-31	31	29.62	.76	3.00	30.24	3.12	5,751
HSM-32	32	30.60	.76	3.00	31.24	3.12	5,937
HSM-33	33	31.48	.86	3.81	32.14	3.94	6,939
HSM-34	34	32.46	.86	3.81	33.14	3.94	7,149
HSM-35	35	33.44	.86	3.81	34.14	3.94	7,359
HSM-36	36	34.42	.86	3.81	35.14	3.94	7,569
HSM-37	37	35.40	.86	3.81	36.14	3.94	7,780
HSM-38	38	36.38	.86	3.81	37.14	3.94	7,990
HSM-40	40	38.34	.86	3.81	39.14	3.94	8,411
HSM-41	41	39.32	.86	3.81	40.14	3.94	8,621
HSM-42	42	40.30	.86	3.81	41.14	3.94	8,831
HSM-45	45	43.13	.97	4.75	44.03	4.88	10,575
HSM-47	47	45.09	.97	4.75	46.03	4.88	11,045
HSM-48	48	46.07	.97	4.75	47.03	4.88	11,280
HSM-50	50	48.03	.97	4.75	49.03	4.88	11,750
HSM-51	51	49.01	.97	4.75	50.03	4.88	11,985
HSM-52	52	49.99	.97	4.75	51.03	4.88	12,220
HSM-55	55	52.93	.97	4.75	54.03	4.90	12,925
HSM-56	56	53.91	.97	4.75	55.03	4.90	13,160
HSM-57	57	54.89	.97	4.75	56.03	4.90	13,395
HSM-58	58	55.87	.97	4.75	57.03	4.90	13,630
HSM-60	60	57.83	.97	4.75	59.03	4.90	14,100
HSM-62	62	59.62	1.14	5.72	60.86	5.87	17,254
HSM-63	63	60.60	1.14	5.72	61.86	5.87	17,532
HSM-64	64	61.58	1.14	5.72	62.86	5.87	17,811
HSM-65	65	62.56	1.14	5.72	63.86	5.87	18,089
HSM-67	67	64.52	1.14	5.72	65.86	5.87	18,645
HSM-68	68	65.50	1.14	5.72	66.86	5.87	18,924
HSM-70	70	67.46	1.14	5.72	68.86	5.87	19,480
HSM-72	72	69.42	1.14	5.72	70.86	5.87	20,037
HSM-75	75	72.36	1.14	5.72	73.86	5.87	20,872
HSM-76	76	73.34	1.14	5.72	74.86	5.87	21,150



¹ Add suffix "-S02" for 302 stainless steel.

² Based on a groove material yield strength of 310 N/mm² and a safety factor of 2.

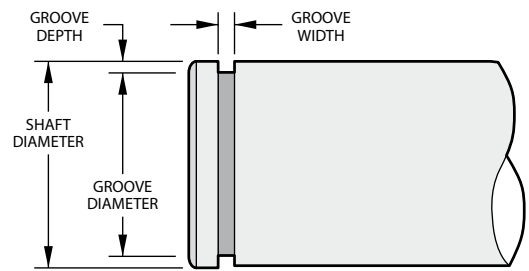
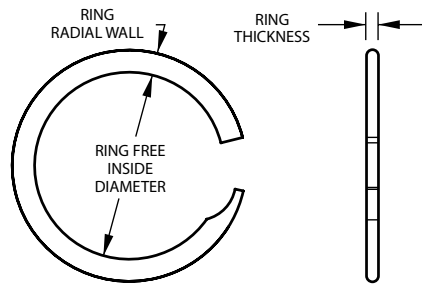
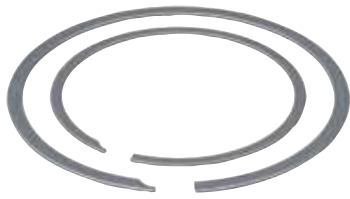
³ See pages 132-133 for How to Order.

⁴ Sharp corners on the groove required, see page 127 for more information.

⁵ Square edge wire.

VSM Series - Metric Light Duty Rings

SPIROLOX RINGS EXCLUSIVELY FROM SMALLEY



Product Dimensions All dimensions in millimeters unless otherwise specified.

Smalley Part Number ^{1,4}	Shaft Diameter	Ring			Groove		Thrust Capacity	
		Inside Diameter	Radial Wall	Thickness	Diameter	Width	Groove Yield (N) ²	Ring Shear (N) ³
VSM-6 ^{5,6}	6.00	5.65	.51	.30	5.70	.38	439	1,988
VSM-7 ^{5,6}	7.00	6.58	.51	.30	6.64	.38	614	2,234
VSM-8 ^{5,6}	8.00	7.52	.64	.38	7.60	.46	780	3,183
VSM-9 ^{5,6}	9.00	8.42	.76	.38	8.50	.46	1,114	3,580
VSM-10 ^{5,6}	10.00	9.32	.89	.38	9.40	.46	1,462	3,978
VSM-11 ⁶	11.00	10.32	.89	.38	10.40	.46	1,608	4,376
VSM-12	12.00	11.22	1.14	.46	11.34	.56	1,930	5,779
VSM-13	13.00	12.15	1.14	.46	12.28	.56	2,281	6,261
VSM-14	14.00	13.15	1.14	.46	13.28	.56	2,456	6,742
VSM-15	15.00	14.14	1.14	.46	14.28	.56	2,632	7,224
VSM-16	16.00	15.13	1.14	.46	15.28	.56	2,807	7,705
VSM-17	17.00	16.13	1.14	.46	16.28	.56	2,983	8,187
VSM-18	18.00	17.12	1.14	.46	17.28	.56	3,158	8,669
VSM-19	19.00	18.11	1.14	.46	18.28	.56	3,334	9,150
VSM-20	20.00	19.10	1.14	.46	19.28	.56	3,509	9,632
VSM-21	21.00	19.74	1.65	.53	19.94	.66	5,424	11,652
VSM-22	22.00	20.73	1.65	.53	20.94	.66	5,683	12,207
VSM-24	24.00	22.72	1.65	.53	22.94	.66	6,199	13,317
VSM-25	25.00	23.71	1.65	.53	23.94	.66	6,458	13,872
VSM-26	26.00	24.63	2.24	.64	24.88	.79	7,096	15,138
VSM-28	28.00	26.62	2.24	.64	26.88	.79	7,642	16,303
VSM-29	29.00	27.61	2.24	.64	27.88	.79	7,915	16,885
VSM-30	30.00	28.59	2.24	.64	28.88	.79	8,188	17,467
VSM-32	32.00	30.57	2.24	.64	30.88	.79	8,734	18,632
VSM-34	34.00	32.56	2.24	.64	32.88	.79	9,279	19,796
VSM-35	35.00	33.55	2.24	.64	33.88	.79	9,552	20,378
VSM-36	36.00	34.54	2.24	.64	34.88	.79	9,825	20,960
VSM-38	38.00	36.52	2.24	.64	36.88	.79	10,371	22,125
VSM-40	40.00	38.09	3.00	.79	38.52	.99	14,426	28,748
VSM-42	42.00	40.07	3.00	.79	40.52	.99	15,147	30,185
VSM-45	45.00	43.04	3.00	.79	43.52	.99	16,229	32,341
VSM-48	48.00	46.01	3.00	.79	46.52	.99	17,311	34,497
VSM-50	50.00	47.99	3.00	.79	48.52	.99	18,032	35,935
VSM-52	52.00	49.48	4.01	.79	50.06	.99	24,583	37,372
VSM-55	55.00	52.46	4.01	.79	53.06	.99	26,001	39,528
VSM-56	56.00	53.44	4.01	.79	54.06	.99	26,473	40,247
VSM-58	58.00	55.42	4.01	.79	56.06	.99	27,419	41,684
VSM-60	60.00	57.40	4.01	.79	58.06	.99	28,364	43,122
VSM-62	62.00	59.37	4.01	.79	60.06	.99	29,310	44,559
VSM-63	63.00	60.35	4.01	.79	61.06	.99	29,783	45,278
VSM-65	65.00	62.33	4.01	.79	63.06	.99	30,728	46,715
VSM-68	68.00	65.31	4.01	.79	66.06	.99	32,146	48,871
VSM-70	70.00	67.29	4.01	.79	68.06	.99	33,092	50,309
VSM-72	72.00	69.27	4.01	.79	70.06	.99	34,037	51,746
VSM-75	75.00	72.25	4.01	.79	73.06	.99	35,456	53,9027

¹ Add suffix "-S02" for 302 stainless steel. Add suffix "-S16" for 316 stainless steel.
² Based on a groove material yield strength of 310 N/mm² and a safety factor of 2.
³ Based on a safety factor of 3.
⁴ See pages 132-133 for How to Order.
⁵ No removal notch.
⁶ Square edge wire.

Stock Items available in carbon steel and 302 and 316 stainless steel.

Product Dimensions All dimensions in millimeters unless otherwise specified.

Smalley Part Number ^{1,4}	Shaft Diameter	Ring			Groove		Thrust Capacity	
		Inside Diameter	Radial Wall	Thickness	Diameter	Width	Groove Yield (N) ²	Ring Shear (N) ³
VSM-78	78.00	74.85	4.78	.99	75.66	1.12	44,477	70,250
VSM-80	80.00	76.82	4.78	.99	77.66	1.12	45,617	72,052
VSM-82	82.00	78.79	4.78	.99	79.66	1.12	46,757	73,853
VSM-85	85.00	81.76	4.78	.99	82.66	1.12	48,468	76,555
VSM-88	88.00	84.73	4.78	.99	85.66	1.12	50,179	79,257
VSM-90	90.00	86.69	4.78	.99	87.66	1.12	51,319	81,058
VSM-95	95.00	91.66	4.78	.99	92.66	1.12	54,170	85,561
VSM-100	100.00	96.62	4.78	.99	97.66	1.12	57,021	90,064
VSM-105	105.00	101.13	5.72	1.17	102.20	1.32	71,642	106,440
VSM-110	110.00	106.08	5.72	1.17	107.20	1.32	75,054	111,508
VSM-115	115.00	111.03	5.72	1.17	112.20	1.32	78,465	116,577
VSM-120	120.00	115.98	5.72	1.17	117.20	1.32	81,877	121,645
VSM-125	125.00	120.93	5.72	1.17	122.20	1.32	85,288	126,714
VSM-130	130.00	125.88	5.72	1.17	127.20	1.32	88,700	131,783
VSM-135	135.00	130.31	5.72	1.55	131.63	1.70	111,027	181,299
VSM-140	140.00	135.13	5.72	1.55	136.50	1.70	119,404	188,013
VSM-145	145.00	139.95	5.72	1.55	141.37	1.70	127,974	194,907
VSM-150	150.00	144.83	5.72	1.55	146.25	1.70	137,070	201,443
VSM-155	155.00	149.66	5.72	1.55	151.13	1.70	146,361	208,158
VSM-160	160.00	154.44	6.73	1.55	156.00	1.70	155,956	214,872
VSM-165	165.00	159.27	6.73	1.55	160.88	1.70	165,855	221,587
VSM-170	170.00	164.09	6.73	1.55	165.75	1.70	176,059	228,302
VSM-175	175.00	168.92	6.73	1.55	170.63	1.70	186,568	235,017
VSM-180	180.00	173.75	6.73	1.55	175.50	1.70	197,381	241,731
VSM-185	185.00	178.57	7.62	1.55	180.38	1.70	208,499	248,446
VSM-190	190.00	183.40	7.62	1.55	185.25	1.70	219,922	255,161
VSM-195	195.00	188.22	7.62	1.55	190.13	1.70	231,649	261,876
VSM-200	200.00	193.05	7.62	1.55	195.00	1.70	243,681	268,590
VSM-210	210.00	202.70	8.76	1.93	204.75	2.08	268,658	351,160
VSM-220	220.00	212.36	8.76	1.93	214.50	2.08	294,854	367,882
VSM-230	230.00	222.01	8.76	1.93	224.25	2.08	322,268	384,604
VSM-240	240.00	231.66	8.76	1.93	234.00	2.08	350,900	401,326
VSM-250	250.00	241.31	8.76	1.93	243.75	2.08	380,751	418,048
VSM-260	260.00	250.97	9.65	1.93	253.50	2.08	411,821	434,770
VSM-270	270.00	260.62	9.65	1.93	263.25	2.08	444,108	451,492
VSM-280	280.00	270.27	9.65	1.93	273.00	2.08	477,614	468,214
VSM-290	290.00	279.92	9.65	1.93	282.75	2.08	512,339	484,936
VSM-300	300.00	289.58	9.65	1.93	292.50	2.08	548,282	501,658

¹ Add suffix "-S02" for 302 stainless steel. Add suffix "-S16" for 316 stainless steel.

² Based on a groove material yield strength of 310 N/mm² and a safety factor of 2.

³ Based on a safety factor of 3.

⁴ See pages 132-133 for How to Order.

Request FREE samples

Get free samples of any standard catalog item at www.smalley.com/samples.

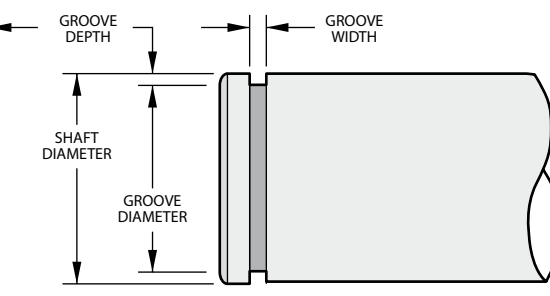
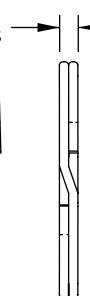
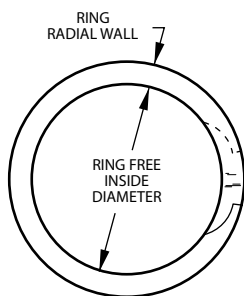
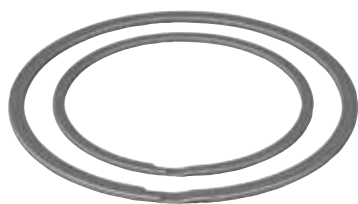
Or use form on page 131 of this catalog. Requests typically processed within 24 hours.

Get CAD downloads

Simplify your design process by downloading CAD models of standard retaining rings and wave springs at www.smalley.com/cad-models.

ES Series - Metric Aerospace Rings

SPIROLOX RINGS EXCLUSIVELY FROM SMALLEY



ES-6 / ES-17

ES-18 & UP

MA 4016⁵

Product Dimensions All dimensions in millimeters unless otherwise specified.

Smalley Part Number ^{1,4}	Shaft Diameter	Ring			Groove		Thrust Capacity	
		Inside Diameter	Radial Wall	Thickness	Diameter	Width	Groove Yield (N) ²	Ring Shear (N) ³
ES-6 ^{6,7}	6.00	5.61	.38 - .58	.64	5.66	.74	500	3,160
ES-7 ^{6,7}	7.00	6.53	.51 - .71	.64	6.58	.74	720	3,690
ES-8 ^{6,7}	8.00	7.49	.51 - .71	.64	7.57	.74	840	4,210
ES-9 ^{6,7}	9.00	8.41	.64 - .84	.64	8.48	.74	1,140	4,740
ES-10 ^{6,7}	10.00	9.40	.64 - .84	.64	9.50	.74	1,220	5,270
ES-11 ⁷	11.00	10.39	.76 - .96	.64	10.46	.74	1,450	5,790
ES-12	12.00	11.18	1.02 - 1.22	.60	11.29	.70	2,100	7,950
ES-13	13.00	12.13	1.14 - 1.35	.89	12.24	1.00	2,410	12,100
ES-14	14.00	13.06	1.14 - 1.35	.89	13.19	1.00	2,800	13,040
ES-15	15.00	13.98	1.14 - 1.35	.89	14.09	1.00	3,360	13,970
ES-16	16.00	14.90	1.27 - 1.48	.89	15.02	1.00	3,820	14,900
ES-17	17.00	15.82	1.27 - 1.48	.89	16.02	1.00	4,060	15,830
ES-18	18.00	16.80	1.52 - 1.73	1.07	16.92	1.20	4,730	20,150
ES-19	19.00	17.73	1.52 - 1.73	1.07	17.87	1.20	5,270	21,270
ES-20	20.00	18.62	1.52 - 1.73	1.07	18.77	1.20	6,040	22,390
ES-21	21.00	19.57	1.52 - 1.73	1.07	19.72	1.20	6,550	23,510
ES-22	22.00	20.45	1.78 - 1.98	1.07	20.62	1.20	7,390	24,630
ES-23	23.00	21.39	1.78 - 1.98	1.07	21.57	1.20	8,070	25,750
ES-24	24.00	22.35	1.78 - 1.98	1.07	22.52	1.20	8,650	26,870
ES-25	25.00	23.25	2.03 - 2.24	1.07	23.42	1.20	9,620	27,990
ES-26	26.00	24.21	2.03 - 2.24	1.07	24.42	1.20	10,000	29,110
ES-27	27.00	25.04	2.49 - 2.69	1.27	25.35	1.40	10,910	31,170
ES-28	28.00	26.00	2.49 - 2.69	1.27	26.30	1.40	11,590	32,330
ES-29	29.00	26.95	2.49 - 2.69	1.27	27.27	1.40	12,290	33,480
ES-30	30.00	27.92	2.49 - 2.69	1.27	28.25	1.40	12,860	34,640
ES-31	31.00	28.84	2.49 - 2.69	1.27	29.17	1.40	13,890	35,790
ES-32	32.00	29.77	2.49 - 2.69	1.27	30.09	1.40	14,960	36,950
ES-34	34.00	31.54	2.87 - 3.07	1.27	31.90	1.40	17,390	39,260
ES-35	35.00	32.44	2.87 - 3.07	1.27	32.80	1.40	18,750	40,410
ES-36	36.00	33.40	2.87 - 3.07	1.27	33.75	1.40	19,810	41,560
ES-37	37.00	34.24	2.87 - 3.07	1.27	34.67	1.40	21,080	42,720
ES-38	38.00	35.18	2.87 - 3.07	1.27	35.66	1.40	21,650	43,870
ES-40	40.00	37.15	3.12 - 3.33	1.57	37.55	1.75	23,960	57,090
ES-42	42.00	39.02	3.12 - 3.33	1.57	39.45	1.75	26,180	59,990
ES-45	45.00	41.77	3.12 - 3.33	1.57	42.25	1.75	30,240	64,230
ES-46	46.00	42.67	3.12 - 3.33	1.57	43.15	1.75	32,040	65,660
ES-47	47.00	43.81	3.89 - 4.09	1.57	44.31	1.75	30,900	67,080
ES-48	48.00	44.48	3.89 - 4.09	1.57	45.05	1.75	34,600	68,510
ES-50	50.00	46.69	3.89 - 4.09	1.57	47.05	1.75	36,040	71,370
ES-52	52.00	49.62	3.12 - 3.33	1.25	50.15	1.42	23,550	59,090
ES-53	53.00	50.62	3.12 - 3.33	1.25	51.15	1.42	24,000	60,230
ES-54	54.00	51.62	3.12 - 3.33	1.25	52.15	1.42	24,460	61,370
ES-55	55.00	52.62	3.38 - 3.58	1.25	53.15	1.42	24,910	62,500
ES-56	56.00	53.62	3.38 - 3.58	1.25	54.15	1.42	25,370	63,640
ES-58	58.00	55.43	3.38 - 3.58	1.25	56.01	1.42	28,250	65,910
ES-59	59.00	56.43	3.38 - 3.58	1.25	57.01	1.42	28,730	67,050

¹ Add suffix "-S02" for 302 stainless steel, "-S16" for 316 stainless steel.

² Based on a groove material yield strength of 310 N/mm² and a safety factor of 2.

³ Based on a safety factor of 3.

⁴ See pages 132-133 for How to Order.

⁵ Contact Smalley for details/information on how to order parts to be in compliance with this specification.

⁶ No removal notch.

⁷ Square edge wire.

Stock Items available in carbon steel and 302 and 316 stainless steel.

Product Dimensions All dimensions in millimeters unless otherwise specified.

Smalley Part Number ^{1,4}	Shaft Diameter	Ring			Groove		Thrust Capacity	
		Inside Diameter	Radial Wall	Thickness	Diameter	Width	Groove Yield (N) ²	Ring Shear (N) ³
ES-60	60.00	57.43	3.38 - 3.58	1.25	58.01	1.42	29,220	68,180
ES-61	61.00	58.36	3.38 - 3.58	1.25	58.91	1.42	31,190	69,320
ES-62	62.00	59.30	3.63 - 3.84	1.25	59.91	1.42	31,710	70,460
ES-63	63.00	60.30	3.63 - 3.84	1.25	60.91	1.42	32,220	71,590
ES-64	64.00	61.25	3.63 - 3.84	1.25	61.91	1.42	32,730	72,730
ES-65	65.00	62.20	3.63 - 3.84	1.25	62.81	1.42	34,820	73,870
ES-66	66.00	63.16	3.63 - 3.84	1.25	63.79	1.42	35,680	75,000
ES-67	67.00	64.16	3.63 - 3.84	1.25	64.71	1.42	37,530	76,140
ES-68	68.00	65.08	3.89 - 4.09	1.25	65.71	1.42	38,090	77,270
ES-69	69.00	66.06	3.89 - 4.09	1.25	66.71	1.42	38,650	78,410
ES-70	70.00	67.08	3.89 - 4.09	1.25	67.71	1.42	39,210	79,550
ES-71	71.00	68.04	3.89 - 4.09	1.25	68.71	1.42	39,770	80,680
ES-72	72.00	69.00	4.11 - 4.37	1.25	69.65	1.42	41,380	81,820
ES-75	75.00	71.93	4.11 - 4.37	1.25	72.61	1.42	43,830	85,230
ES-78	78.00	74.84	4.11 - 4.37	1.55	75.55	1.73	46,730	109,910
ES-80	80.00	76.80	4.37 - 4.62	1.55	77.51	1.73	48,700	112,730
ES-82	82.00	78.72	4.37 - 4.62	1.55	79.45	1.73	51,120	115,550
ES-85	85.00	81.62	4.62 - 4.88	1.55	82.35	1.73	55,060	119,780
ES-88	88.00	84.53	4.62 - 4.88	1.55	85.31	1.73	57,860	124,000
ES-90	90.00	86.43	4.88 - 5.13	1.55	87.21	1.73	61,370	126,820
ES-95	95.00	91.37	4.88 - 5.13	1.55	92.15	1.73	66,160	133,870
ES-100	100.00	96.10	5.13 - 5.38	1.55	97.01	1.73	73,050	140,910
ES-105	105.00	100.94	5.38 - 5.64	1.55	101.85	1.73	80,780	147,960
ES-110	110.00	105.75	5.64 - 5.89	1.55	106.69	1.73	88,930	155,000
ES-115	115.00	110.59	5.89 - 6.15	1.55	111.55	1.73	96,890	162,050
ES-120	120.00	115.49	6.20 - 6.45	1.83	116.45	2.00	104,030	199,640
ES-125	125.00	120.44	6.20 - 6.45	1.83	121.45	2.00	108,360	207,960
ES-130	130.00	125.34	6.20 - 6.45	1.83	126.35	2.00	115,860	216,280
ES-135	135.00	130.20	6.20 - 6.45	1.83	131.27	2.00	122,950	224,600
ES-140	140.00	135.14	6.20 - 6.45	1.83	136.25	2.00	128,190	232,920
ES-145	145.00	140.00	6.20 - 6.45	1.83	141.17	2.00	135,590	241,230
ES-150	150.00	145.00	6.20 - 6.45	1.83	146.17	2.00	140,260	249,550
ES-155	155.00	149.33	7.72 - 8.03	2.18	150.60	2.40	166,080	307,190
ES-160	160.00	154.31	7.72 - 8.03	2.18	155.60	2.40	171,430	317,100
ES-165	165.00	159.23	7.72 - 8.03	2.18	160.60	2.40	176,790	327,010
ES-170	170.00	164.00	7.72 - 8.03	2.18	165.40	2.40	190,430	336,920
ES-175	175.00	169.00	7.72 - 8.03	2.18	170.40	2.40	196,030	346,830
ES-180	180.00	173.78	7.72 - 8.03	2.18	175.20	2.40	210,400	356,740
ES-185	185.00	178.70	7.72 - 8.03	2.18	180.20	2.40	216,240	366,650
ES-190	190.00	183.70	7.72 - 8.03	2.18	185.20	2.40	220,080	376,560
ES-195	195.00	188.43	7.72 - 8.03	2.18	190.00	2.40	237,420	386,460
ES-200	200.00	193.43	7.72 - 8.03	2.18	195.00	2.40	243,510	396,370
ES-210	210.00	202.93	9.32 - 9.63	2.18	204.60	2.40	276,140	416,190
ES-220	220.00	212.65	9.32 - 9.63	2.18	214.40	2.40	300,010	436,010
ES-230	230.00	222.60	9.32 - 9.63	2.18	224.40	2.40	313,640	455,830
ES-240	240.00	232.32	9.32 - 9.63	2.18	234.20	2.40	328,970	475,650
ES-250	250.00	241.83	9.32 - 9.63	2.18	243.80	2.40	377,440	495,470
ES-260	260.00	251.57	9.32 - 9.63	2.18	253.60	2.40	405,210	515,290
ES-270	270.00	261.30	9.32 - 9.63	2.18	263.40	2.40	433,940	535,100
ES-280	280.00	271.04	9.32 - 9.63	2.18	273.20	2.40	463,650	554,920

¹ Add suffix "-S02" for 302 stainless steel, "-S16" for 316 stainless steel.

² Based on a groove material yield strength of 310 N/mm² and a safety factor of 2.

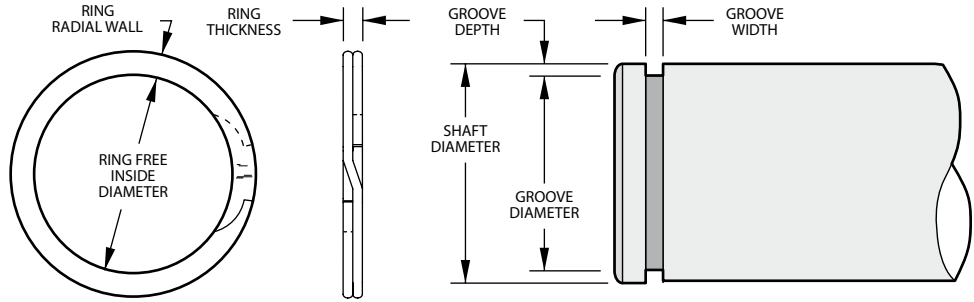
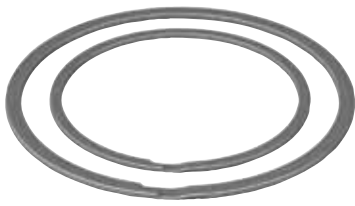
³ Based on a safety factor of 3.

⁴ See pages 132-133 for How to Order.

⁵ Contact Smalley for details/information on how to order parts to be in compliance with this specification.

DNS Series - DIN Metric Rings

SPIROLOX RINGS EXCLUSIVELY FROM SMALLEY



Groove Compatible with DIN 471

Product Dimensions All dimensions in millimeters unless otherwise specified.

Smalley Part Number ^{1,4}	Shaft Diameter	Ring			Groove		Thrust Capacity	
		Inside Diameter	Radial Wall	Thickness	Diameter	Width	Groove Yield (N) ²	Ring Shear (N) ³
DNS-13	13.00	12.27	1.40	.99	12.40	1.10	1,901	13,474
DNS-14	14.00	13.26	1.40	.99	13.40	1.10	2,047	14,510
DNS-15	15.00	14.15	1.40	.99	14.30	1.10	2,559	15,547
DNS-16	16.00	15.04	1.65	.99	15.20	1.10	3,119	16,583
DNS-17	17.00	16.04	1.65	.99	16.20	1.10	3,314	17,620
DNS-18	18.00	16.83	1.91	1.14	17.00	1.30	4,386	18,668
DNS-19	19.00	17.83	1.91	1.14	18.00	1.30	4,630	19,705
DNS-20	20.00	18.82	1.91	1.14	19.00	1.30	4,874	20,742
DNS-21	21.00	19.79	1.91	1.14	20.00	1.30	5,117	21,779
DNS-22	22.00	20.78	1.91	1.14	21.00	1.30	5,361	22,816
DNS-23	23.00	21.77	1.91	1.14	22.00	1.30	5,605	23,853
DNS-24	24.00	22.66	2.18	1.14	22.90	1.30	6,433	24,891
DNS-25	25.00	23.65	2.18	1.14	23.90	1.30	6,701	25,928
DNS-26	26.00	24.64	2.18	1.14	24.90	1.30	6,969	26,965
DNS-27	27.00	25.34	2.18	1.14	25.60	1.30	9,211	28,002
DNS-28	28.00	26.34	2.39	1.44	26.60	1.60	9,552	36,681
DNS-29	29.00	27.33	2.39	1.44	27.60	1.60	9,893	37,991
DNS-30	30.00	28.32	2.39	1.44	28.60	1.60	10,235	39,301
DNS-32	32.00	30.00	3.25	1.44	30.30	1.60	13,256	41,921
DNS-33	33.00	30.99	3.25	1.44	31.30	1.60	13,670	43,231
DNS-34	34.00	31.98	3.25	1.44	32.30	1.60	14,085	44,541
DNS-35	35.00	32.66	3.25	1.44	33.00	1.60	17,058	45,851
DNS-36	36.00	33.65	4.01	1.69	34.00	1.85	17,545	55,349
DNS-38	38.00	35.64	4.01	1.69	36.00	1.85	18,520	58,424
DNS-40	40.00	37.11	4.01	1.69	37.50	1.85	24,368	61,498
DNS-42	42.00	39.09	4.01	1.69	39.50	1.85	25,586	64,573
DNS-45	45.00	42.06	4.01	1.69	42.50	1.85	27,414	69,186
DNS-46	46.00	43.05	4.01	1.69	43.50	1.85	28,023	70,723
DNS-47	47.00	44.04	4.01	1.69	44.50	1.85	28,633	72,261
DNS-48	48.00	45.03	4.01	1.69	45.50	1.85	29,242	73,798
DNS-50	50.00	46.53	5.08	1.93	47.00	2.15	36,552	87,790
DNS-52	52.00	48.51	5.08	1.93	49.00	2.15	38,014	91,302
DNS-54	54.00	50.50	5.08	1.93	51.00	2.15	39,476	94,813
DNS-55	55.00	51.49	5.08	1.93	52.00	2.15	40,207	96,569
DNS-56	56.00	52.48	5.08	1.93	53.00	2.15	40,938	98,325
DNS-58	58.00	54.43	5.08	1.93	55.00	2.15	42,400	101,836
DNS-60	60.00	56.42	5.08	1.93	57.00	2.15	43,863	105,348
DNS-62	62.00	58.42	5.08	1.93	59.00	2.15	45,325	108,860
DNS-63	63.00	59.39	5.08	1.93	60.00	2.15	46,056	110,615
DNS-65	65.00	61.39	5.08	2.41	62.00	2.65	47,518	135,725
DNS-67	67.00	63.37	5.08	2.41	64.00	2.65	48,980	139,901
DNS-68	68.00	64.34	5.08	2.41	65.00	2.65	49,711	141,989
DNS-70	70.00	66.34	5.08	2.41	67.00	2.65	51,173	146,165
DNS-72	72.00	68.33	5.08	2.41	69.00	2.65	52,635	150,341
DNS-75	75.00	71.33	5.08	2.41	72.00	2.65	54,828	156,605

¹ Add suffix "-S02" for 302 stainless steel, "-S16" for 316 stainless steel.
² Based on a groove material yield strength of 310 N/mm² and a safety factor of 2.
³ Based on a safety factor of 3.
⁴ See pages 132-133 for How to Order.

Stock Items available in carbon steel and 302 and 316 stainless steel.

Product Dimensions All dimensions in millimeters unless otherwise specified.

Smalley Part Number ^{1,4}	Shaft Diameter	Ring			Groove		Thrust Capacity	
		Inside Diameter	Radial Wall	Thickness	Diameter	Width	Groove Yield (N) ²	Ring Shear (N) ³
DNS-77	77.00	73.33	5.08	2.41	74.00	2.65	56,290	160,782
DNS-78	78.00	74.33	5.08	2.41	75.00	2.65	57,021	162,870
DNS-80	80.00	75.81	6.02	2.41	76.50	2.65	68,231	167,046
DNS-82	82.00	77.81	6.02	2.41	78.50	2.65	69,936	171,222
DNS-85	85.00	80.80	6.27	2.91	81.50	3.15	72,495	214,309
DNS-88	88.00	83.80	6.27	2.91	84.50	3.15	75,054	221,873
DNS-90	90.00	85.80	6.27	2.91	86.50	3.15	76,759	226,915
DNS-95	95.00	90.80	6.27	2.91	91.50	3.15	81,024	239,522
DNS-98	98.00	93.79	6.27	2.91	94.50	3.15	83,583	247,086
DNS-100	100.00	95.79	6.27	2.91	96.50	3.15	85,288	252,128
DNS-102	102.00	97.29	6.73	3.89	98.00	4.15	99,422	343,778
DNS-105	105.00	100.28	6.73	3.89	101.00	4.15	102,346	353,889
DNS-108	108.00	103.25	6.73	3.89	104.00	4.15	105,270	364,000
DNS-110	110.00	105.23	6.73	3.89	106.00	4.15	107,220	370,741
DNS-115	115.00	110.19	6.73	3.89	111.00	4.15	112,093	387,593
DNS-120	120.00	115.16	6.73	3.89	116.00	4.15	116,967	404,445
DNS-125	125.00	120.12	6.73	3.89	121.00	4.15	121,840	421,297
DNS-130	130.00	125.07	6.73	3.89	126.00	4.15	126,714	438,149
DNS-135	135.00	130.02	6.73	3.89	131.00	4.15	131,588	455,001
DNS-140	140.00	134.98	6.73	3.89	136.00	4.15	136,461	471,852
DNS-145	145.00	139.93	6.73	3.89	141.00	4.15	141,335	488,704
DNS-150	150.00	143.91	7.92	3.89	145.00	4.15	182,761	505,556
DNS-155	155.00	148.89	7.92	3.89	150.00	4.15	188,853	522,408
DNS-160	160.00	153.85	7.92	3.89	155.00	4.15	194,945	539,260
DNS-165	165.00	158.80	7.92	3.89	160.00	4.15	201,037	556,112
DNS-170	170.00	163.75	7.92	3.89	165.00	4.15	207,129	572,964
DNS-175	175.00	168.73	7.92	3.89	170.00	4.15	213,221	589,815
DNS-180	180.00	173.69	7.92	3.89	175.00	4.15	219,313	606,667
DNS-185	185.00	178.66	7.92	3.89	180.00	4.15	225,405	623,519
DNS-190	190.00	183.59	7.92	3.89	185.00	4.15	231,497	640,371
DNS-195	195.00	188.54	7.92	3.89	190.00	4.15	237,589	657,223
DNS-200	200.00	193.54	7.92	3.89	195.00	4.15	243,681	674,075
DNS-205	205.00	197.54	11.05	4.86	199.00	5.15	299,727	863,214
DNS-210	210.00	202.54	11.05	4.86	204.00	5.15	307,038	884,268
DNS-220	220.00	212.47	11.05	4.86	214.00	5.15	321,659	926,376
DNS-230	230.00	222.40	11.05	4.86	224.00	5.15	336,280	968,484
DNS-240	240.00	232.33	11.05	4.86	234.00	5.15	350,900	1,010,592
DNS-250	250.00	242.24	11.05	4.86	244.00	5.15	365,521	1,052,700
DNS-260	260.00	250.19	12.70	4.86	252.00	5.15	506,856	1,094,808
DNS-270	270.00	260.15	12.70	4.86	262.00	5.15	526,351	1,136,916
DNS-280	280.00	270.08	12.70	4.86	272.00	5.15	545,845	1,179,024
DNS-290	290.00	279.98	12.70	4.86	282.00	5.15	565,340	1,221,132
DNS-300	300.00	289.92	12.70	4.86	292.00	5.15	584,834	1,263,241
DNS-310	310.00	297.84	15.81	5.87	300.00	6.20	755,411	1,576,625
DNS-320	320.00	307.84	15.81	5.87	310.00	6.20	779,779	1,627,484
DNS-330	330.00	317.75	15.81	5.87	320.00	6.20	804,147	1,678,342
DNS-340	340.00	327.69	15.81	5.87	330.00	6.20	828,515	1,729,201
DNS-350	350.00	337.64	15.81	5.87	340.00	6.20	852,883	1,780,060
DNS-360	360.00	347.57	15.81	5.87	350.00	6.20	877,251	1,830,919
DNS-370	370.00	357.48	15.81	5.87	360.00	6.20	901,619	1,881,778
DNS-380	380.00	367.41	15.81	5.87	370.00	6.20	925,987	1,932,637
DNS-390	390.00	377.34	15.81	5.87	380.00	6.20	950,355	1,983,496
DNS-400	400.00	387.25	15.81	5.87	390.00	6.20	974,723	2,034,354

¹ Add suffix "-S02" for 302 stainless steel, "-S16" for 316 stainless steel.

² Based on a groove material yield strength of 310 N/mm² and a safety factor of 2.

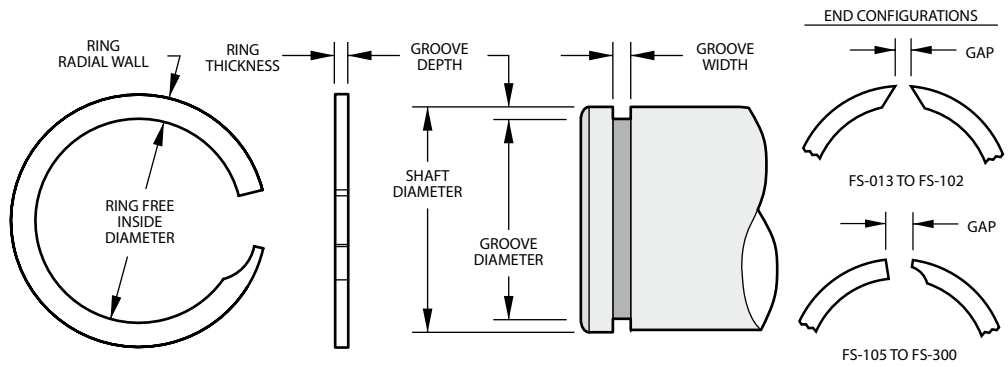
³ Based on a safety factor of 3.

⁴ See pages 132-133 for How to Order.

FS Series - Metric Constant Section Rings



Groove Compatible with DIN 471



Product Dimensions All dimensions in millimeters unless otherwise specified.

Smalley Part Number ^{1,4,5}	Shaft Diameter	Ring			Groove		Thrust Capacity	
		Inside Diameter	Radial Wall	Thickness	Diameter	Width	Groove Yield (N) ²	Ring Shear (N) ³
FS-013	13.00	12.27	1.40	.94	12.40	1.10	1,931	10,591
FS-014	14.00	13.31	1.40	.94	13.40	1.10	2,077	11,396
FS-015	15.00	14.15	1.40	.94	14.30	1.10	2,602	12,224
FS-016	16.00	14.98	1.65	.94	15.20	1.10	3,172	13,029
FS-017	17.00	16.06	1.65	.94	16.20	1.10	3,367	13,838
FS-018	18.00	16.82	1.90	1.15	17.00	1.30	4,457	17,953
FS-019	19.00	17.81	1.90	1.15	18.00	1.30	4,702	18,941
FS-020	20.00	18.80	1.90	1.15	19.00	1.30	4,951	19,928
FS-021	21.00	19.79	1.90	1.15	20.00	1.30	5,200	20,942
FS-022	22.00	20.83	1.90	1.15	21.00	1.30	5,445	21,930
FS-023	23.00	21.77	1.90	1.15	22.00	1.30	5,698	22,939
FS-024	24.00	22.50	2.15	1.15	22.90	1.30	6,539	23,927
FS-025	25.00	23.70	2.15	1.15	23.90	1.30	6,806	24,914
FS-026	26.00	24.64	2.15	1.15	24.90	1.30	7,082	25,929
FS-027	27.00	25.50	2.15	1.15	25.90	1.30	7,353	26,916
FS-028	28.00	26.32	3.25	1.44	26.60	1.60	9,702	33,179
FS-029	29.00	27.15	3.25	1.44	27.60	1.60	10,053	34,385
FS-030	30.00	28.35	3.25	1.44	28.60	1.60	10,395	35,559
FS-032	32.00	29.87	3.25	1.44	30.30	1.60	13,073	37,939
FS-033	33.00	31.07	3.25	1.44	31.30	1.60	13,478	39,113
FS-034	34.00	31.96	3.25	1.44	32.30	1.60	13,892	40,319
FS-035	35.00	32.57	3.25	1.44	33.00	1.60	16,899	41,493
FS-036	36.00	33.64	4.01	1.69	34.00	1.85	17,375	50,038
FS-038	38.00	35.62	4.01	1.69	36.00	1.85	18,344	52,827
FS-040	40.00	37.02	4.01	1.69	37.50	1.85	24,265	55,621
FS-042	42.00	39.08	4.01	1.69	39.50	1.85	25,484	58,410
FS-045	45.00	42.05	4.01	1.69	42.50	1.85	27,303	62,578
FS-046	46.00	43.10	4.01	1.69	43.50	1.85	27,904	63,952
FS-047	47.00	44.03	4.01	1.69	44.50	1.85	28,504	65,331
FS-048	48.00	44.89	4.01	1.69	45.50	1.85	29,118	66,741
FS-050	50.00	46.50	5.08	1.93	47.00	2.15	36,529	75,282
FS-052	52.00	48.48	5.08	1.93	49.00	2.15	37,974	78,266
FS-054	54.00	50.46	5.08	1.93	51.00	2.15	39,438	81,287
FS-055	55.00	51.45	5.08	1.93	52.00	2.15	40,163	82,777
FS-056	56.00	52.44	5.08	1.93	53.00	2.15	40,906	84,307
FS-058	58.00	54.42	5.08	1.93	55.00	2.15	42,352	87,287
FS-060	60.00	56.55	5.08	1.93	57.00	2.15	43,819	90,308
FS-062	62.00	58.32	5.08	1.93	59.00	2.15	45,283	93,328
FS-063	63.00	59.37	5.08	1.93	60.00	2.15	46,008	94,823
FS-065	65.00	61.35	5.08	2.41	62.00	2.65	47,471	116,641
FS-067	67.00	63.35	5.08	2.41	64.00	2.65	48,939	120,240
FS-068	68.00	64.45	5.08	2.41	65.00	2.65	49,660	122,019
FS-070	70.00	66.22	5.08	2.41	67.00	2.65	51,128	125,618
FS-072	72.00	68.28	5.08	2.41	69.00	2.65	52,591	129,221
FS-075	75.00	71.25	5.08	2.41	72.00	2.65	54,780	134,599

¹ Add suffix "-S02" for 302 stainless steel.

² Based on a groove material yield strength of 310 N/mm² and a safety factor of 2.

³ Based on a safety factor of 3.

⁴ See pages 132-133 for How to Order.

⁵ Square edge wire.

Stock Items available in carbon steel and 302 stainless steel.

Product Dimensions All dimensions in millimeters unless otherwise specified.

Smalley Part Number ^{1, 4, 5}	Shaft Diameter	Ring			Groove		Thrust Capacity	
		Inside Diameter	Radial Wall	Thickness	Diameter	Width	Groove Yield (N) ²	Ring Shear (N) ³
FS-077	77.00	73.23	5.08	2.41	74.00	2.65	56,230	138,153
FS-078	78.00	74.06	5.08	2.41	75.00	2.65	56,968	139,977
FS-080	80.00	75.70	6.02	2.41	76.50	2.65	68,342	143,575
FS-082	82.00	77.68	6.02	2.41	78.50	2.65	70,033	147,134
FS-085	85.00	80.65	6.30	2.91	81.50	3.15	72,595	175,656
FS-088	88.00	83.60	6.30	2.91	84.50	3.15	75,175	181,906
FS-090	90.00	85.80	6.30	2.91	86.50	3.15	76,865	185,998
FS-095	95.00	90.68	6.30	2.91	91.50	3.15	81,140	196,340
FS-098	98.00	93.70	6.30	2.91	94.50	3.15	83,702	202,536
FS-100	100.00	95.50	6.30	2.91	96.50	3.15	85,415	206,682
FS-102	102.00	97.23	6.30	2.91	98.50	3.15	87,127	210,828
FS-105	105.00	99.83	6.73	3.89	101.00	4.15	102,687	276,951
FS-108	108.00	102.87	6.73	3.89	104.00	4.15	105,619	284,855
FS-110	110.00	104.90	6.73	3.89	106.00	4.15	107,580	290,149
FS-115	115.00	109.85	6.73	3.89	111.00	4.15	112,473	303,346
FS-120	120.00	115.06	6.73	3.89	116.00	4.15	117,344	316,478
FS-125	125.00	119.75	6.73	3.89	121.00	4.15	122,237	329,676
FS-130	130.00	124.70	6.73	3.89	126.00	4.15	127,130	342,873
FS-135	135.00	129.65	6.73	3.89	131.00	4.15	132,023	356,071
FS-140	140.00	134.42	6.73	3.89	136.00	4.15	136,916	369,269
FS-145	145.00	139.55	6.73	3.89	141.00	4.15	141,809	382,467
FS-150	150.00	143.50	8.03	3.89	145.00	4.15	181,986	395,665
FS-155	155.00	148.45	8.03	3.89	150.00	4.15	188,026	408,796
FS-160	160.00	153.40	8.03	3.89	155.00	4.15	194,094	421,994
FS-165	165.00	158.40	8.03	3.89	160.00	4.15	200,166	435,192
FS-170	170.00	163.30	8.03	3.89	165.00	4.15	206,237	448,683
FS-175	175.00	168.25	8.03	3.89	170.00	4.15	212,305	461,890
FS-180	180.00	173.20	8.03	3.89	175.00	4.15	218,377	475,097
FS-185	185.00	177.62	8.03	3.89	180.00	4.15	224,417	488,232
FS-190	190.00	183.35	8.03	3.89	185.00	4.15	230,489	501,439
FS-195	195.00	188.05	8.03	3.89	190.00	4.15	236,556	514,646
FS-200	200.00	193.00	8.03	3.89	195.00	4.15	242,628	527,853
FS-205	205.00	196.95	11.05	4.87	199.00	5.15	299,454	641,438
FS-210	210.00	201.67	11.05	4.87	204.00	5.15	306,763	657,096
FS-220	220.00	211.80	11.05	4.87	214.00	5.15	321,344	688,327
FS-230	230.00	221.70	11.05	4.87	224.00	5.15	335,961	719,638
FS-240	240.00	231.89	11.05	4.87	234.00	5.15	350,578	750,953
FS-250	250.00	241.50	11.05	4.87	244.00	5.15	365,199	782,264
FS-260	260.00	249.59	12.70	4.87	252.00	5.15	505,300	813,500
FS-270	270.00	259.30	12.70	4.87	262.00	5.15	524,748	844,811
FS-280	280.00	268.83	12.70	4.87	272.00	5.15	544,200	876,126
FS-290	290.00	279.10	12.70	4.87	282.00	5.15	563,599	907,357
FS-300	300.00	289.00	12.70	4.87	292.00	5.15	583,051	938,673

¹ Add suffix "-S02" for 302 stainless steel.

² Based on a groove material yield strength of 310 N/mm² and a safety factor of 2.

³ Based on a safety factor of 3.

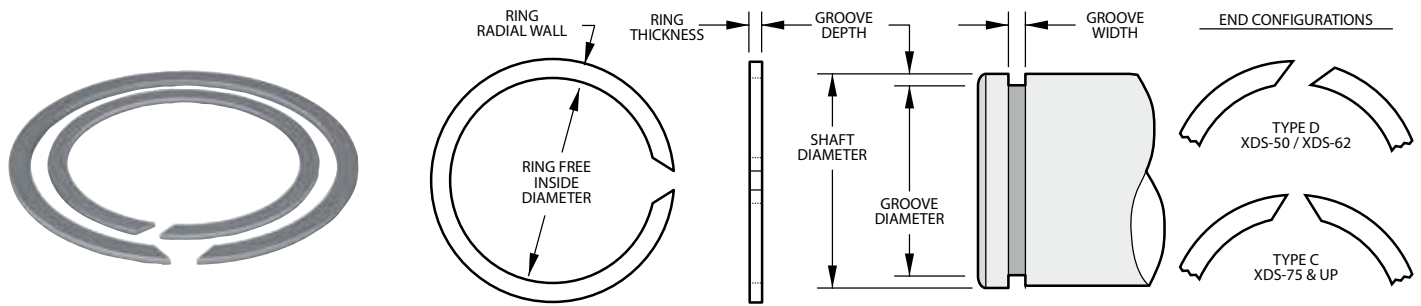
⁴ See pages 132-133 for How to Order.

⁵ Square edge wire.

Get CAD downloads

Simplify your design process by downloading CAD models of standard retaining rings and wave springs at www.smalley.com/cad-models.

XAS Series - Constant Section Rings



Product Dimensions All dimensions in inches unless otherwise specified.

Smalley Part Number ^{1, 4, 5}	Shaft Diameter	Ring			Groove		Thrust Capacity	
		Inside Diameter	Radial Wall	Thickness	Diameter	Width	Groove Yield (lb) ²	Ring Shear (lb) ³
XAS-31	.312	.281	.040	.025	.290	.028	243	977
XAS-34	.344	.312	.040	.025	.322	.028	267	1,077
XAS-35	.354	.320	.040	.025	.330	.028	300	1,108
XAS-37	.375	.341	.040	.025	.351	.028	318	1,174
XAS-39	.393	.359	.040	.025	.369	.028	333	1,231
XAS-40	.406	.372	.040	.025	.382	.028	344	1,271
XAS-43	.438	.402	.040	.025	.412	.028	402	1,371
XAS-46	.469	.433	.040	.025	.443	.028	431	1,468
XAS-50	.500	.464	.048	.035	.474	.039	459	2,073
XAS-55	.551	.514	.048	.035	.524	.039	526	2,285
XAS-56	.562	.524	.048	.035	.534	.039	556	2,331
XAS-59	.594	.555	.048	.035	.566	.039	588	2,463
XAS-62	.625	.586	.062	.035	.597	.039	619	2,592
XAS-66	.669	.630	.062	.035	.640	.039	686	2,774
XAS-68	.688	.644	.062	.042	.656	.046	778	3,458
XAS-75	.750	.703	.062	.042	.716	.046	901	3,770
XAS-78	.781	.733	.062	.042	.745	.046	994	3,926
XAS-81	.812	.764	.062	.042	.776	.046	1,033	4,082
XAS-87	.875	.820	.078	.042	.835	.046	1,237	4,398
XAS-93	.938	.881	.078	.042	.896	.046	1,392	4,715
XAS-98	.984	.925	.078	.042	.940	.046	1,530	4,946
XAS-100	1.000	.941	.093	.042	.956	.046	1,555	5,027
XAS-102	1.023	.962	.093	.042	.977	.046	1,663	5,142
XAS-106	1.062	1.000	.093	.050	1.016	.056	1,727	6,272
XAS-112	1.125	1.060	.093	.050	1.075	.056	1,988	6,644
XAS-118	1.188	1.121	.093	.050	1.136	.056	2,183	7,017
XAS-125	1.250	1.179	.093	.050	1.194	.056	2,474	7,383
XAS-131	1.312	1.232	.093	.050	1.250	.056	2,875	7,749
XAS-137	1.375	1.291	.109	.050	1.309	.056	3,207	8,121
XAS-143	1.438	1.351	.109	.050	1.370	.056	3,456	8,493
XAS-150	1.500	1.408	.109	.050	1.430	.056	3,711	8,859
XAS-156	1.562	1.467	.125	.062	1.490	.068	3,975	11,002
XAS-162	1.625	1.527	.125	.062	1.551	.068	4,250	11,446
XAS-168	1.687	1.581	.125	.062	1.611	.068	4,531	11,882
XAS-175	1.750	1.640	.125	.062	1.670	.068	4,948	12,326
XAS-177	1.771	1.657	.141	.062	1.687	.068	5,258	12,474
XAS-181	1.812	1.698	.141	.062	1.728	.068	5,379	12,763
XAS-187	1.875	1.759	.156	.062	1.789	.068	5,699	13,206
XAS-196	1.969	1.849	.156	.062	1.879	.068	6,263	13,869
XAS-200	2.000	1.880	.156	.062	1.910	.068	6,362	14,087
XAS-206	2.062	1.936	.156	.078	1.966	.086	6,996	17,491
XAS-212	2.125	1.997	.156	.078	2.027	.086	7,360	18,025
XAS-215	2.156	2.026	.156	.078	2.056	.086	7,620	18,288
XAS-225	2.250	2.116	.156	.078	2.146	.086	8,270	19,085
XAS-231	2.312	2.174	.187	.078	2.204	.086	8,825	19,611
XAS-237	2.375	2.235	.187	.078	2.265	.086	9,233	20,145
XAS-243	2.437	2.295	.187	.078	2.325	.086	9,647	20,671
XAS-250	2.500	2.356	.187	.078	2.386	.086	10,073	21,206

¹ Add suffix "-S02" for 302 stainless steel.

² Based on a groove material yield strength of 45,000 psi and a safety factor of 2.

³ Based on a safety factor of 3.

⁴ See pages 132-133 for How to Order.

⁵ Square edge wire.

Stock Items available in carbon steel and 302 stainless steel.

Product Dimensions All dimensions in inches unless otherwise specified.

Smalley Part Number ^{1, 4, 5}	Shaft Diameter	Ring			Groove		Thrust Capacity	
		Inside Diameter	Radial Wall	Thickness	Diameter	Width	Groove Yield (lb) ²	Ring Shear (lb) ³
XAS-255	2.559	2.413	.187	.078	2.443	.086	10,491	21,706
XAS-262	2.625	2.475	.187	.078	2.505	.086	11,133	22,266
XAS-268	2.687	2.535	.187	.078	2.565	.086	11,586	22,792
XAS-275	2.750	2.594	.187	.093	2.624	.103	12,246	27,992
XAS-287	2.875	2.713	.187	.093	2.743	.103	13,413	29,264
XAS-293	2.937	2.771	.187	.093	2.801	.103	14,117	29,895
XAS-300	3.000	2.830	.218	.093	2.860	.103	14,844	30,536
XAS-306	3.062	2.890	.218	.093	2.920	.103	15,367	31,167
XAS-312	3.125	2.951	.218	.093	2.981	.103	15,904	31,809
XAS-315	3.156	2.980	.218	.093	3.010	.103	16,285	32,124
XAS-325	3.250	3.070	.250	.093	3.100	.103	17,230	33,081
XAS-334	3.344	3.160	.250	.093	3.190	.103	18,201	34,038
XAS-343	3.437	3.251	.250	.093	3.281	.103	18,950	34,984
XAS-350	3.500	3.305	.250	.109	3.340	.120	19,792	40,017
XAS-354	3.543	3.346	.250	.109	3.381	.120	20,286	40,508
XAS-362	3.625	3.423	.250	.109	3.458	.120	21,396	41,446
XAS-368	3.687	3.482	.250	.109	3.517	.120	22,153	42,155
XAS-375	3.750	3.541	.250	.109	3.576	.120	23,061	42,875
XAS-387	3.875	3.657	.281	.109	3.697	.120	24,378	44,304
XAS-393	3.938	3.713	.281	.109	3.758	.120	25,052	45,024
XAS-400	4.000	3.771	.281	.109	3.816	.120	26,012	45,733
XAS-425	4.250	4.016	.281	.109	4.066	.120	27,638	48,592
XAS-437	4.375	4.141	.281	.109	4.191	.120	28,451	50,021
XAS-450	4.500	4.255	.312	.109	4.310	.120	30,218	51,450
XAS-475	4.750	4.495	.312	.109	4.550	.120	33,576	54,308
XAS-500	5.000	4.730	.312	.109	4.790	.120	37,110	57,167
XAS-525	5.250	4.970	.375	.125	5.030	.139	40,821	65,732
XAS-550	5.500	5.206	.375	.125	5.266	.139	45,486	68,862
XAS-575	5.750	5.446	.375	.125	5.506	.139	49,586	71,992
XAS-590	5.900	5.600	.375	.125	5.656	.139	50,880	73,870
XAS-600	6.000	5.687	.375	.125	5.746	.139	53,863	75,122
XAS-625	6.250	5.916	.437	.156	5.986	.174	58,316	94,130
XAS-650	6.500	6.151	.437	.156	6.226	.174	62,946	97,895
XAS-675	6.750	6.386	.437	.156	6.466	.174	67,752	101,660
XAS-700	7.000	6.621	.437	.156	6.706	.174	72,736	105,426
XAS-725	7.250	6.840	.500	.187	6.930	.209	81,996	124,330
XAS-750	7.500	7.090	.500	.187	7.180	.209	84,823	128,617
XAS-800	8.000	7.560	.500	.187	7.660	.209	96,133	137,191
XAS-850	8.500	8.050	.500	.187	8.160	.209	102,141	145,766
XAS-900	9.000	8.545	.500	.187	8.660	.209	108,149	154,340
XAS-925	9.250	8.800	.500	.187	8.910	.209	111,153	158,627
XAS-950	9.500	9.040	.500	.187	9.160	.209	114,158	162,915
XAS-1000	10.000	9.535	.500	.187	9.660	.209	120,166	171,489

¹ Add suffix "-S02" for 302 stainless steel.

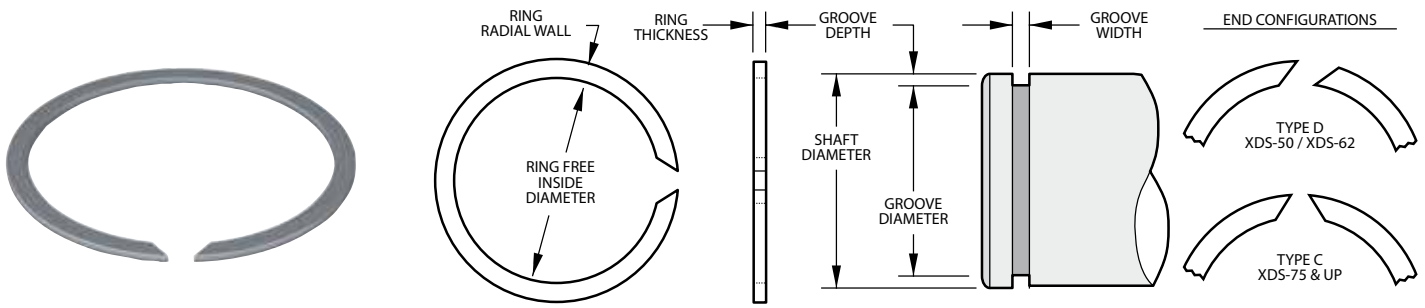
² Based on a groove material yield strength of 45,000 psi and a safety factor of 2.

³ Based on a safety factor of 3.

⁴ See pages 132-133 for How to Order.

⁵ Square edge wire.

XDS Series - Constant Section Rings



Product Dimensions All dimensions in inches unless otherwise specified.

Smalley Part Number ^{1, 4, 5}	Shaft Diameter	Ring			Groove		Thrust Capacity	
		Inside Diameter	Radial Wall	Thickness	Diameter	Width	Groove Yield (lb) ²	Ring Shear (lb) ³
XDS-50	.500	.465	.048	.035	.474	.039	459	2,073
XDS-62	.625	.587	.062	.035	.597	.039	619	2,592
XDS-75	.750	.704	.078	.042	.716	.046	901	3,770
XDS-87	.875	.823	.093	.042	.833	.046	1,299	4,398
XDS-100	1.000	.944	.093	.042	.954	.046	1,626	5,027
XDS-112	1.125	1.065	.125	.042	1.077	.046	1,909	5,655
XDS-118	1.187	1.120	.125	.042	1.135	.046	2,182	5,967
XDS-125	1.250	1.179	.125	.042	1.194	.046	2,474	6,283
XDS-131	1.312	1.232	.125	.042	1.252	.046	2,782	6,595
XDS-137	1.375	1.289	.125	.042	1.309	.046	3,207	6,912
XDS-143	1.437	1.349	.125	.042	1.369	.046	3,454	7,223
XDS-150	1.500	1.410	.125	.042	1.430	.046	3,711	7,540
XDS-162	1.625	1.520	.156	.042	1.545	.046	4,595	8,168
XDS-168	1.687	1.582	.156	.042	1.607	.046	4,770	8,480
XDS-175	1.750	1.645	.156	.042	1.670	.046	4,948	8,796
XDS-193	1.937	1.832	.156	.042	1.857	.046	5,477	9,736
XDS-200	2.000	1.895	.156	.042	1.920	.046	5,655	10,053
XDS-218	2.187	2.082	.156	.042	2.107	.046	6,184	10,993
XDS-225	2.250	2.145	.156	.042	2.170	.046	6,362	11,310
XDS-237	2.375	2.270	.156	.042	2.295	.046	6,715	11,938
XDS-250	2.500	2.390	.156	.042	2.420	.046	7,069	12,566
XDS-275	2.750	2.596	.187	.062	2.626	.068	12,052	19,369
XDS-293	2.937	2.783	.187	.062	2.813	.068	12,871	20,687
XDS-300	3.000	2.846	.187	.062	2.876	.068	13,148	21,130
XDS-312	3.125	2.965	.187	.062	3.000	.068	13,806	22,011
XDS-325	3.250	3.090	.187	.062	3.125	.068	14,358	22,891
XDS-337	3.375	3.215	.187	.062	3.250	.068	14,910	23,772
XDS-350	3.500	3.340	.187	.062	3.375	.068	15,463	24,652
XDS-375	3.750	3.570	.218	.078	3.610	.086	18,555	31,809
XDS-400	4.000	3.820	.218	.078	3.860	.086	19,792	33,929
XDS-425	4.250	4.070	.218	.078	4.110	.086	21,029	36,050
XDS-450	4.500	4.320	.218	.078	4.360	.086	22,266	38,170
XDS-475	4.750	4.560	.218	.078	4.610	.086	23,503	40,291
XDS-500	5.000	4.800	.218	.078	4.860	.086	24,740	42,412
XDS-550	5.500	5.280	.250	.093	5.340	.103	31,102	55,983
XDS-600	6.000	5.775	.250	.093	5.840	.103	33,929	61,073
XDS-650	6.500	6.270	.250	.093	6.340	.103	36,757	66,162
XDS-700	7.000	6.765	.250	.093	6.840	.103	39,584	71,251
XDS-750	7.500	7.245	.281	.109	7.320	.120	47,713	85,750
XDS-800	8.000	7.740	.281	.109	7.820	.120	50,894	91,466

¹ Add suffix "-S02" for 302 stainless steel.

² Based on a groove material yield strength of 45,000 psi and a safety factor of 2.

³ Based on a safety factor of 3.

⁴ See pages 132-133 for How to Order.

⁵ Square edge wire.

A Smalley Laminar Seal Ring set is a metallic labyrinth seal consisting of multiple rings in a groove. The arrangement and the specific orientation of the rings are dictated by the application and the severity of the environment. There are 16 series of standard imperial and Metric Laminar Seal Ring configurations from which to select. 8 of these series are sets consisting of single-turn rings. The other 8 series are sets consisting of double-turn rings. Within each series are operational ring-set configurations in both imperial and metric sizes. The selection of the appropriate set should be determined by the application.

For some applications a complete labyrinth configuration (i.e.; a complete labyrinth configuration is one which has rings staggered within the set) is necessary due to a severe environment where contamination is highly probable. In other applications design engineers can keep the groove dimensions minimal by specifying laminar sets with rings clinging either to the bore or to the shaft.

Laminar Seal Rings Available From Stock

Standard parts from 5/8" to 50" and 15 mm to 1,300 mm. Special seals manufactured with No-Tooling-Charges. Smalley's Laminar Seal Rings are interchangeable with FEY Rings.

INTERCHANGE LISTING

SMALLEY	FEY	
QH	AS	FK3
QHK	ASK	
QS	IS	
QSK	ISK	
QHD	ASD	
QHKD	ASKD	FK6
QSD	ISD	
QSKD	ISKD	
CONSULT SMALLEY ENGINEERING		FK5

Advantages of Laminar Seal Rings

- No friction with other rotating components, ideal for high speed applications.
- Prevent dirt and splash water from contaminating components.
- When used in conjunction with other seals, Laminar Seals provide a primary seal against severe contamination, before the contaminants come in contact with the secondary seal.
- Sets of multiple rings provide an efficient labyrinth seal.
- Rings may be produced from a wide variety of alloys to withstand more severe conditions including higher temperatures and corrosive environments.
- As a metallic mechanical seal they can outperform rubber seals in durability and life expectancy.
- The change from rubber to metal reduces the need for frequent seal replacement.



Laminar Seal Rings

Selection Guide Standard Laminar Ring Sets Available

Single -Turn Laminar Seal Rings

Used in a variety of applications, this series of Seal Rings should be utilized for light to medium duty applications, dependent on the ring configuration specified. The sets are comprised of single-turn rings in either 3 rings per set or 5 rings per set.

APPLICATIONS: 3 ring sets protect components from low dirt and low splash water contamination. 5 ring sets provide a better labyrinth seal to protect components from medium dirt and medium splash water contamination.



**YH Series
QH Series**
Internal - Light Duty
1 set = 3 individual rings
(rings rotate with bore only)



**YHK Series
QHK Series**
Internal - Medium Duty
1 set = 5 individual rings
(3 rings rotate with bore &
2 rings rotate with shaft)



**YS Series
QS Series**
External - Light Duty
1 set = 3 individual rings
(rings rotate with shaft only)



**YSK Series
QSK Series**
External - Medium Duty
1 set = 5 individual rings
(3 rings rotate with shaft &
2 rings rotate with bore)

Double -Turn Laminar Seal Rings

The sets are comprised of double-turn rings in either 2 rings per set or 3 rings per set. The double-turn rings fit tighter in the bore or on the shaft, provide complete 360° surface contact and resist higher axial/radial forces than single-turn ring sets, for medium to heavy duty applications.

APPLICATIONS: 2 ring sets protect components from medium dirt and medium splash water contamination. 3 ring sets provide a better labyrinth seal to protect components from heavy dirt and heavy splash water contamination.



**YHD Series
QHD Series**
Internal - Medium/Heavy Duty
1 set = 2 individual rings
(rings rotate with bore only)



**YHKD Series
QHKD Series**
Internal - Heavy Duty
1 set = 3 individual rings
(2 rings rotate with bore &
1 ring rotates with shaft)

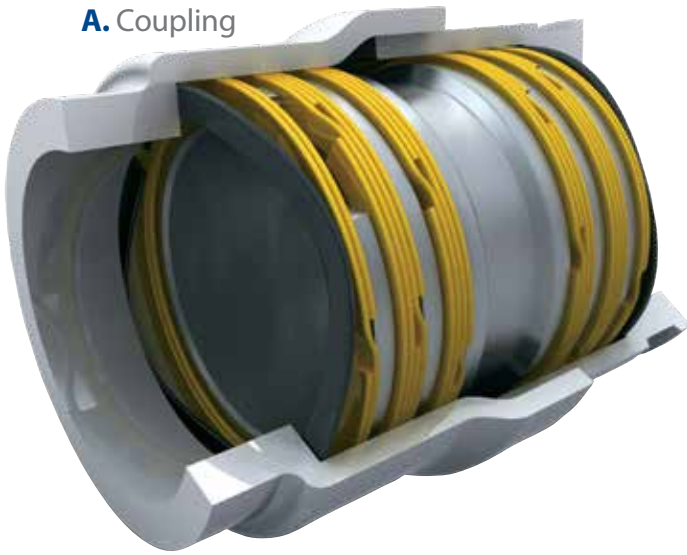


**YSD Series
QSD Series**
External - Medium/Heavy Duty
1 set = 2 individual rings
(rings rotate with shaft only)



**YSKD Series
QSKD Series**
External - Heavy Duty
1 set = 3 individual rings
(2 rings rotate with shaft &
1 ring rotates with bore)

A. Coupling



B. Bearing Protection



C. Pulley Idler



D. High Speed Spindle



A. Coupling

The seal arrangement in this assembly has been custom designed for optimum protection against contamination. Gases build up pressure in a center cavity, protected on both ends from contaminants entering.

B. Bearing Protection

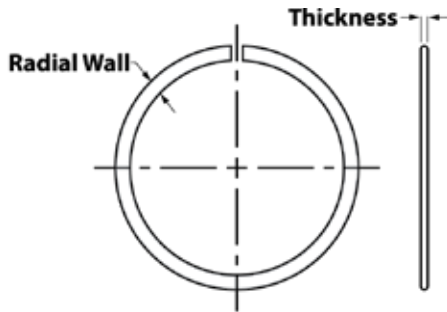
The 3 ring set protects the ball bearing from contaminants like dirt and water. The seal retains grease/lubricant and prevents contaminants from penetrating into the critical components of the assembly.

C. Pulley Idler

The ring set designed in this application extends the life of the ball bearing by keeping contaminants from penetrating the precision bearing surfaces even though the bearing itself is sealed. When the shaft rotates only the groove ring rotates while the housing rings remain stationary.

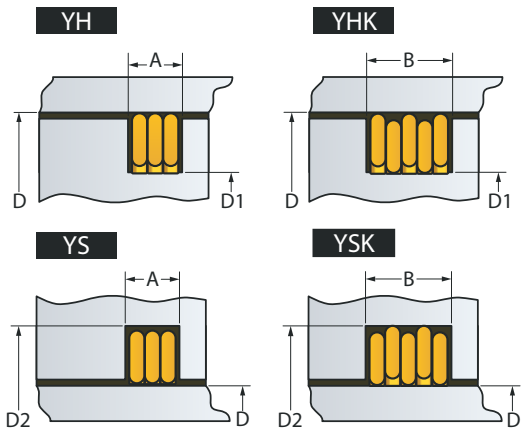
D. High Speed Spindle

The QS series has been designed into the spindle assembly to protect the tandem bearings against corrosive elements. Though it is not the primary seal in the assembly, it is designed as the final seal protecting the bearings. All rings in the set will cling to the shaft due to the high rotational speed of the main spindle.



Single-Turn Laminar Sealing Rings YH or YS are used for a wide variety of applications. They are commonly used to protect bearing systems by retaining grease/lubricant and preventing water or other contaminating liquids from penetrating into the critical areas of an assembly. The alternating (staggered) series YHK and YSK offer (due to an increased labyrinth seal) further improved sealing efficiency. They are often specified where the lubricating grease may liquefy due to higher operating temperatures or where protection against larger amounts of contaminating liquids (such as cooling water) is required.

The standard Single-Turn Laminar Rings listed in the table below are readily available (from stock). Customs can be manufactured with No-Tooling-Charges™.



Product Dimensions All dimensions in inches unless otherwise specified.

Bore Shaft ¹ D	Groove ² Width		Ring Dimensions		Groove Diameter D2	Groove Diameter D1
	A	B	RW	T		
0.625 - 1.249	0.072	0.119	0.055	0.021	(D) +0.134	(D) -0.134
1.250 - 1.499	0.072	0.119	0.065	0.021	+0.154	-0.154
1.500 - 1.749	0.084	0.139	0.078	0.025	+0.180	-0.180
1.750 - 2.249	0.102	0.170	0.095	0.031	+0.214	-0.214
2.250 - 2.749	0.102	0.170	0.113	0.031	+0.250	-0.250
2.750 - 2.999	0.102	0.170	0.123	0.031	+0.270	-0.270
3.000 - 3.249	0.102	0.170	0.128	0.031	+0.280	-0.280
3.250 - 3.499	0.102	0.170	0.138	0.031	+0.300	-0.300
3.500 - 3.999	0.102	0.170	0.158	0.031	+0.340	-0.340
4.000 - 4.499	0.102	0.170	0.168	0.031	+0.360	-0.360
4.500 - 4.999	0.131	0.215	0.188	0.039	+0.408	-0.408
5.000 - 5.499	0.131	0.215	0.200	0.039	+0.432	-0.432
5.500 - 6.249	0.158	0.254	0.225	0.046	+0.490	-0.490
6.250 - 7.749	0.187	0.301	0.250	0.055	+0.540	-0.540
7.750 - 9.999	0.187	0.301	0.312	0.055	+0.702	-0.702
10.000 - 12.499	0.217	0.346	0.350	0.063	+0.778	-0.778
12.500 - 14.999	0.217	0.346	0.375	0.063	+0.828	-0.828
15.000 - 19.999	0.307	0.496	0.437	0.093	+0.952	-0.952
20.000 - 24.999	0.310	0.504	0.500	0.093	+1.158	-1.158
25.000 - 29.999	0.310	0.504	0.567	0.093	+1.292	-1.292
30.000 - 50.000	0.310	0.504	0.750	0.093	+1.658	-1.658

Tolerances (in)				
D	0.625 - 4.499	4.500 - 9.999	10.000 - 14.999	15.000 - 50.000
A-B	+0.004 -0.000	+0.008 -0.000	+0.010 -0.000	+0.010 -0.000
RW	+0.004 -0.004	+0.006 -0.006	+0.007 -0.007	+0.015 -0.010
T	+0.002 -0.002	+0.003 -0.003	+0.004 -0.004	+0.005 -0.005
D2	+0.008 -0.000	+0.012 -0.000	+0.012 -0.000	+0.016 -0.000
D1	+0.000 -0.008	+0.000 -0.012	+0.000 -0.012	+0.000 -0.016

¹ Standard raw materials are carbon steel and 302 stainless steel.

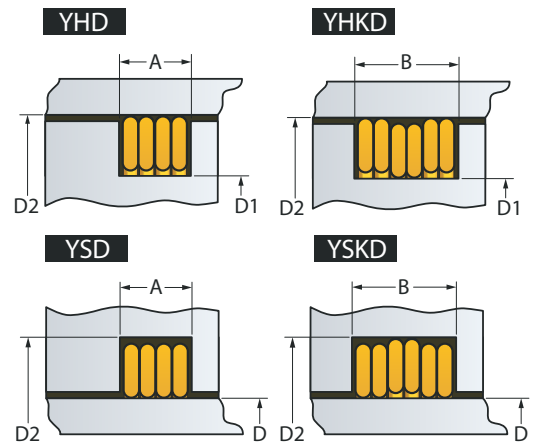
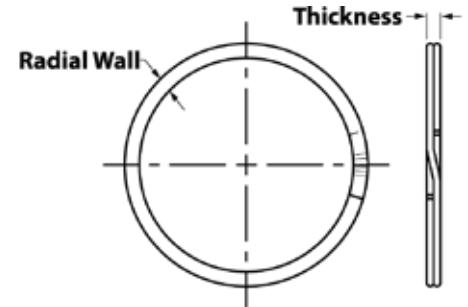
² If axial movement occurs during operation, an increase to Groove Width may be necessary to avoid friction between Rings and Groove.

³ See page 130 for how to order.

Double-Turn Laminar Sealing Rings offer a higher clamping force when installed in the bore or on the shaft. They are suited for higher operating speeds, have 360° contact (no axial gap) and should be used where application conditions are more severe. One typical application is where high amounts of dirt and dust are present and the ring sets provide the necessary seal against contamination from outside elements.

Double-Turn Laminar Ring Sets are also used to protect contacting radial seals, rubber seals, O-rings and other oil seals. For protection in the most severe environment the alternating (staggered) sets YHKD and YSKD are the preferred choice by engineers. They provide sealing with 360° contact in both the bore and on the shaft.

The standard Double-Turn Laminar Rings listed in the table below are readily available (from stock). Customs can be manufactured with No-Tooling-Charges™.



Product Dimensions All dimensions in inches unless otherwise specified.

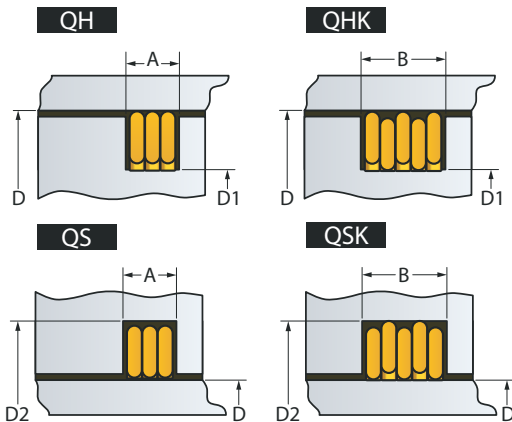
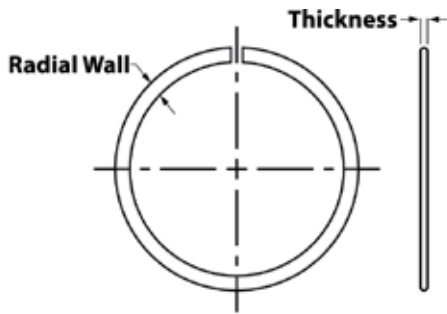
Bore Shaft ¹ D	Groove ² Width		Ring Dimensions		Groove Diameter D2	Groove Diameter D1
	A	B	RW	T		
0.625 - 1.249	0.098	0.145	0.055	0.043	(D) +0.134	(D) -0.134
1.250 - 1.499	0.098	0.145	0.065	0.043	+0.154	-0.154
1.500 - 1.749	0.112	0.166	0.078	0.050	+0.180	-0.180
1.750 - 2.249	0.136	0.204	0.095	0.062	+0.214	-0.214
2.250 - 2.749	0.136	0.204	0.113	0.062	+0.250	-0.250
2.750 - 2.999	0.136	0.204	0.123	0.062	+0.270	-0.270
3.000 - 3.249	0.136	0.204	0.128	0.062	+0.280	-0.280
3.250 - 3.499	0.136	0.204	0.138	0.062	+0.300	-0.300
3.500 - 3.999	0.136	0.204	0.158	0.062	+0.340	-0.340
4.000 - 4.499	0.136	0.206	0.168	0.062	+0.360	-0.360
4.500 - 4.999	0.172	0.254	0.188	0.078	+0.408	-0.408
5.000 - 5.499	0.172	0.254	0.200	0.078	+0.432	-0.432
5.500 - 6.249	0.202	0.299	0.225	0.093	+0.490	-0.490
6.250 - 7.749	0.238	0.353	0.250	0.111	+0.540	-0.540
7.750 - 9.999	0.242	0.357	0.312	0.111	+0.702	-0.702
10.000 - 12.499	0.274	0.405	0.350	0.127	+0.778	-0.778
12.500 - 14.999	0.278	0.412	0.375	0.127	+0.828	-0.828
15.000 - 19.999	0.398	0.592	0.437	0.187	+0.952	-0.952
20.000 - 24.999	0.398	0.596	0.500	0.187	+1.158	-1.158
25.000 - 29.999	0.405	0.608	0.567	0.187	+1.292	-1.292
30.000 - 50.000	0.413	0.620	0.750	0.187	+1.658	-1.658

Tolerances (in)				
D	0.625 - 4.499	4.500 - 9.999	10.000 - 14.999	15.000 - 50.000
A-B	+0.004 -0.000	+0.008 -0.000	+0.010 -0.000	+0.010 -0.000
RW	+0.004 -0.004	+0.006 -0.006	+0.007 -0.007	+0.015 -0.010
T	+0.0025 -0.0025	+0.003 -0.003	+0.004 -0.004	+0.005 -0.005
D2	+0.008 -0.000	+0.012 -0.000	+0.012 -0.000	+0.016 -0.000
D1	+0.000 -0.008	+0.000 -0.012	+0.000 -0.012	+0.000 -0.016

¹ Standard raw materials are carbon steel and 302 stainless steel.
² If axial movement occurs during operation, an increase to Groove Width may be necessary to avoid friction between Rings and Groove.
³ See page 130 for how to order.

Single-Turn Laminar Sealing Rings QH or QS are used for a wide variety of applications. They are commonly used to protect bearing systems by retaining grease/lubricant and preventing water or other contaminating liquids from penetrating into the critical areas of an assembly. The alternating (staggered) series QHK and QSK offer (due to an increased labyrinth seal) further improved sealing efficiency. They are often specified where the lubricating grease may liquefy due to higher operating temperatures or where protection against larger amounts of contaminating liquids (such as cooling water) is required.

The Metric Single-Turn Laminar Rings listed in the table below are readily available (from stock). Customs can be manufactured with No-Tooling-Charges™.



Product Dimensions All dimensions in millimeters unless otherwise specified.

Bore Shaft ³ D	Groove ² Width		Ring Dimensions		Groove Diameter D2	Groove Diameter D1
	A	B	RW	T		
15 - 24.9	2.2	3.6	1.0	0.65	(D) + 2.6	(D) - 2.6
25 - 29.9	2.2	3.6	1.2	0.65	+ 3.0	- 3.0
30 - 35.9	2.2	3.6	1.5	0.65	+ 3.6	- 3.6
36 - 42.9	2.2	3.6	1.8	0.65	+ 4.2	- 4.2
43 - 48.9	2.4	4.0	2.2	0.72	+ 5.0	- 5.0
49 - 51.9	2.4	4.0	2.4	0.72	+ 5.4	- 5.4
52 - 59.9	2.4	4.0	2.6	0.72	+ 5.8	- 5.8
60 - 69.9	2.7	4.5	2.8	0.82	+ 6.2	- 6.2
70 - 74.9	2.7	4.5	3.1	0.82	+ 6.8	- 6.8
75 - 79.9	2.7	4.5	3.3	0.82	+ 7.2	- 7.2
80 - 89.9	2.7	4.5	3.5	0.82	+ 7.6	- 7.6
90 - 99.9	2.7	4.5	3.8	0.82	+ 8.2	- 8.2
100 - 104.9	2.7	4.5	4.1	0.82	+ 8.8	- 8.8
105 - 109.9	3.3	5.5	4.3	0.98	+ 9.2	- 9.2
110 - 119.9	3.3	5.5	4.6	0.98	+ 9.8	- 9.8
120 - 129.9	3.3	5.5	5.0	0.98	+10.8	-10.8
130 - 149.9	3.3	5.5	5.5	0.98	+11.8	-11.8
150 - 170.9	3.4	5.6	6.0	1.00	+13.0	-13.0
150 ¹ - 170.9	5.1	8.2	6.0	1.50	+13.0	-13.0
171 - 199.9	3.4	5.6	7.0	1.00	+15.0	-15.0
171 ¹ - 199.9	5.1	8.2	7.0	1.50	+15.0	-15.0
200 - 259.9	4.1	6.6	8.0	1.20	+18.0	-18.0
200 ¹ - 259.9	5.1	8.2	8.0	1.50	+18.0	-18.0
260 - 319.9	5.1	8.2	9.0	1.50	+20.0	-20.0
320 - 399.9	5.2	8.3	10.0	1.50	+22.0	-22.0
400 - 439.9	5.2	8.3	11.0	1.50	+24.0	-24.0
440 - 600.9	5.2	8.3	12.0	1.50	+26.0	-26.0
440 ¹ - 600.0	8.3	13.5	12.0	2.50	+26.0	-26.0
601 - 699.9	8.3	13.5	14.0	2.50	+32.0	-32.0
700 - 799.9	8.3	13.5	16.0	2.50	+36.0	-36.0
800 - 899.9	8.3	13.5	18.0	2.50	+40.0	-40.0
900 - 999.9	8.3	13.5	20.0	2.50	+44.0	-44.0
1000 - 1300.0	8.4	13.6	22.0	2.50	+48.0	-48.0

¹ Increased cross-section.

² If axial movement occurs during operation, an increase to Groove Width may be necessary to avoid friction between Rings and Groove.

³ See page 130 for how to order.

Tolerances (mm)				
D	15 - 104.9	105 - 149.9	150 - 439.9	440 - 1300
A-B	+0.10 -0.00	+0.15 -0.00	+0.20 -0.00	+0.25 -0.00
RW	+0.10 -0.10	+0.10 -0.20	+0.15 -0.30	+0.20 -0.40
T	+0.04 -0.02	+0.05 -0.03	+0.06 -0.04	+0.07 -0.05
D2	+0.20 -0.00	+0.25 -0.00	+0.30 -0.00	+0.40 -0.00
D1	+0.00 -0.20	+0.00 -0.25	+0.00 -0.30	+0.00 -0.40

Double-Turn Laminar Sealing Rings offer a higher clamping force when installed in the bore or on the shaft. They are suited for higher operating speeds, have 360° contact (no axial gap) and should be used where application conditions are more severe. One typical application is where high amounts of dirt and dust are present and the ring sets provide the necessary seal against contamination from outside elements.

Double-Turn Laminar Ring Sets are also used to protect contacting radial seals, rubber seals, O-rings and other oil seals. For protection in the most severe environment the alternating (staggered) sets QHKD and QSKD are the preferred choice by engineers. They provide sealing with 360° contact in both the bore and on the shaft.

The Metric Double-Turn Laminar Rings listed in the table below are readily available (from stock). Customs can be manufactured with No-Tooling-Charges™.

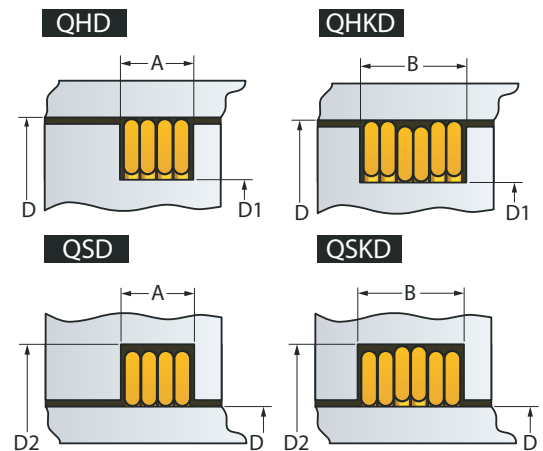
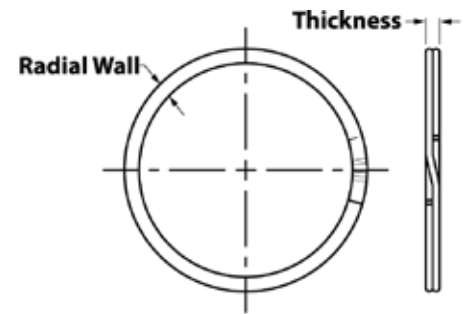
Product Dimensions All dimensions in millimeters unless otherwise specified.

Bore Shaft ³ D	Groove ² Width		Ring Dimensions		Groove Diameter D2	Groove Diameter D1		
	A	B	RW	T				
15	-	24.9	2.9	4.3	1.0	1.30	(D) + 2.6	(D) - 2.6
25	-	29.9	2.9	4.3	1.2	1.30	+3.0	-3.0
30	-	35.9	2.9	4.3	1.5	1.30	+3.6	-3.6
36	-	42.9	2.9	4.3	1.8	1.30	+4.2	-4.2
43	-	48.9	3.2	4.8	2.2	1.45	+5.0	-5.0
49	-	51.9	3.2	4.8	2.4	1.45	+5.4	-5.4
52	-	59.9	3.2	4.8	2.6	1.45	+5.8	-5.8
60	-	69.9	3.6	5.4	2.8	1.65	+6.2	-6.2
70	-	74.9	3.6	5.4	3.1	1.65	+6.8	-6.8
75	-	79.9	3.6	5.4	3.3	1.65	+7.2	-7.2
80	-	89.9	3.6	5.4	3.5	1.65	+7.6	-7.6
90	-	99.9	3.6	5.4	3.8	1.65	+8.2	-8.2
100	-	104.9	3.6	5.4	4.1	1.65	+8.8	-8.8
105	-	109.9	4.3	6.4	4.3	1.96	+9.2	-9.2
110	-	119.9	4.3	6.4	4.6	1.96	+9.8	-9.8
120	-	129.9	4.3	6.4	5.0	1.96	+10.8	-10.8
130	-	149.9	4.3	6.4	5.5	1.96	+11.8	-11.8
150	-	170.9	4.4	6.5	6.0	2.00	+13.0	-13.0
150 ¹	-	170.9	6.5	9.6	6.0	3.00	+13.0	-13.0
171	-	199.9	4.4	6.5	7.0	2.00	+15.0	-15.0
171 ¹	-	199.9	6.5	9.6	7.0	3.00	+15.0	-15.0
200	-	259.9	5.3	7.8	8.0	2.40	+18.0	-18.0
200 ¹	-	259.9	6.5	9.6	8.0	3.00	+18.0	-18.0
260	-	319.9	6.5	9.6	9.0	3.00	+20.0	-20.0
320	-	399.9	6.6	9.8	10.0	3.00	+22.0	-22.0
400	-	439.9	6.6	9.8	11.0	3.00	+24.0	-24.0
440	-	600.9	6.6	9.8	12.0	3.00	+26.0	-26.0
440 ¹	-	600.9	10.6	15.9	12.0	5.00	+26.0	-26.0
601	-	699.9	10.8	16.2	14.0	5.00	+32.0	-32.0
700	-	799.9	10.8	16.2	16.0	5.00	+36.0	-36.0
800	-	899.9	11.0	16.5	18.0	5.00	+40.0	-40.0
900	-	999.9	11.0	16.5	20.0	5.00	+44.0	-44.0
1000	-	1300.0	11.0	16.5	22.0	5.00	+48.0	-48.0

¹ Increased cross-section.

² If axial movement occurs during operation, an increase to Groove Width may be necessary to avoid friction between Rings and Groove.

³ See page 130 for how to order.



Tolerances (mm)				
D	15 - 104.9	105 - 149.9	150 - 439.9	440 - 1300
A-B	+0.10 -0.00	+0.15 -0.00	+0.20 -0.00	+0.25 -0.00
RW	+0.10 -0.10	+0.10 -0.20	+0.15 -0.30	+0.20 -0.40
T	+0.08 -0.04	+0.10 -0.06	+0.12 -0.08	+0.14 -0.10
D2	+0.20 -0.00	+0.25 -0.00	+0.30 -0.00	+0.40 -0.00
D1	+0.00 -0.20	+0.00 -0.25	+0.00 -0.30	+0.00 -0.40

Materials Table

Material	Material Thickness (in)	Minimum Tensile Strength (psi)	Shear Strength (psi)	Maximum Recommended Operating Temp. (°F)	Modulus of Elasticity (psi)
CARBON STEEL					
OIL TEMPERED SAE 1070 - 1090	.006 - .014	269,000	153,000	250	30 X 10 ⁶
	.0141 - .021	255,000	145,000		
	.0211 - .043	221,000	126,000		
	.0431 & larger	211,000	120,000		
HARD DRAWN SAE 1060 - 1075	.006 - .030	230,000	130,000		
	.0301 - .110	181,000	103,000		
	.1101 - .220	156,000	89,000		
AISI 302					
AMS-5866	.002 - .022	210,000	119,000	400	28 X 10 ⁶
	.0221 - .047	200,000	114,000		
	.0471 - .062	185,000	105,000		
	.0621 - .074	175,000	100,000		
	.0741 - .089	165,000	94,000		
	.0891 & larger	155,000	88,000		
AISI 316					
ASTM A313 ¹	.002 - .023	195,000	111,000	400	28 X 10 ⁶
	.0231 - .048	190,000	108,000		
	.0481 - .061	175,000	99,000		
	.0611 & larger	170,000	97,000		
17-7 PH/CH900					
CONDITION CH900 AMS-5529		240,000 ²	137,000 ²	650	29.5 X 10 ⁶
A-286					
AMS-5810		180,000 ²	105,000 ²	1000	31 X 10 ⁶
Inconel⁵ Alloy X-750					
Spring Temper AMS-5699 ³		220,000 ²	125,000 ²	700	31 X 10 ⁶
No.1 Temper Rc 35 Maximum AMS-5699 ^{1,3}		136,000 REF	77,000	700	
No.1 Temper AMS-5698		155,000 ²	88,000 ²	1000	
Inconel⁵ Alloy 718					
AMS-5596 ¹		180,000 ²	102,000 ²	1300	29.6 X 10 ⁶
Elgiloy⁵					
AMS-5876 ^{1,3}	≤ 0.004	300,000 ²	171,000 ²	800	30 X 10 ⁶
	.0041 - .019	290,000 ²	165,000 ²		
	.0191 - .025	280,000 ²	159,000 ²		
	.0251 - .100	270,000 ²	154,000 ²		
Beryllium Copper					
Temper TH02 ASTM B197 ¹		185,000 ²	128,000 ²	400	18.5 X 10 ⁶
NOTE: Additional materials available include Phosphor Bronze, C-276, 410 Stainless Steel, MONEL ⁵ K-500, MONEL ⁵ 400, Waspaloy and others. Please consult Smalley Engineering for further details.					
¹ Referenced for chemical composition only. ² Values obtained after precipitation hardening. ³ Conforms to NACE Standard MR-01-75. ⁴ Exceeding these temperatures will cause increased relaxation. Consult Smalley Engineering for High Temperature applications. ⁵ ELGILOY is a registered trademark of Combined Metals of Chicago. INCONEL and MONEL are registered trademarks of Special Metals Corporation. HASTELLOY is a registered trademark of Haynes International.					

Material Types

Selecting the proper material for an application requires a general knowledge of what is commonly available for use in Smalley flat wire products. Specifying the correct material can prevent additional cost and failure in operation. Carbon steel is the most commonly specified material. Stainless steels, although more costly than carbon steel, provide far superior corrosion resistance and have higher temperature operating limits.

Carbon Steel

Oil Tempered

SAE 1070-1090 high carbon tempered spring steel is a standard material for spiral retaining rings and wave springs. Tensile strength and yield strength are maximized as a result of the oil tempered martensitic structure.

Hard Drawn

SAE 1060-1075 high carbon cold drawn spring steel is a standard material for snap rings. Hard drawn carbon steel has no scale as it receives its strength from the drawing process.

In either temper, carbon steel is best suited in applications having a protected environment as it corrodes if not lubricated or atmospherically sealed. Additional corrosion protection can be added with special finishes. Rings and springs are normally supplied with an oil dip finish providing protection during shipment and for shelf storage.

□ Carbon steel is highly magnetic and can be a variety of different colors including blue, black and gray.

Stainless Steel

302 Stainless Steel

302 is the standard stainless steel for spiral retaining rings. This widely used material is specified because of its combination of corrosion resistance and physical properties. 302 obtains its spring temper condition by cold working. Though it is categorized as being a nonmagnetic stainless, 302 becomes slightly magnetic as a result of cold working. It is not hardenable by heat treatment.

□ 302 has a silver-gray color.

316 Stainless Steel

Nearly identical in physical properties and heat resistance to 302, 316 provides additional corrosion resistance, particularly against pitting, due to its molybdenum chemical content. 316 is generally used in food, chemical and sea water applications.

316 shows less magnetism than 302. However, as with 302, magnetism increases as the wire is cold reduced. This stainless grade is also not hardenable by heat treatment.

□ 316 has a silver-gray color.

17-7 PH Condition CH900 Stainless Steel

Similar in corrosion resistance to type 302, this alloy is used almost exclusively for wave springs, yet offers both high tensile and yield strengths for special ring applications. In fatigue and high stress applications, 17-7 out performs even the finest grade of carbon steel.

Spring properties are achieved by precipitation hardening Condition C to Condition CH900.

As a result, the material may be subjected to a temperature of 650°F (343°C) without a loss of spring properties. 17-7 PH Condition CH900 exhibits magnetism similar to high carbon steel.

□ After precipitation hardening, 17-7 has a blue, brown or silver color as a result of open-air heat treatment, although atmosphere controlled heat treatment provides a bright color.

Material Types

Super Alloys

Inconel X-750*



This nickel-chromium alloy is used most commonly in high temperature and corrosive environments. Two commonly specified tempers of Inconel are described below.

Most commonly, Inconel X-750 is precipitation heat treated to a

spring temper condition. In this state, it has temperature resistance to 700°F. The National Association of Corrosion Engineers (NACE) approves this hard temper to specification MR-01-75 (Rc50 maximum) for spiral retaining rings and wave/compression springs.

#1 temper, which requires a longer heat treatment than spring temper, has a lower tensile strength but provides temperature protection to 1000°F. Both spring temper and #1 temper may be heat treated in either an open air or atmosphere controlled furnace. Open air heat treatment may produce oxidation, which often results in a slight black residue. An atmosphere controlled environment eliminates oxidation and produces a component with no residue.

□ Rings and springs manufactured from this grade of Inconel have a blue/silver-gray color and exhibit no magnetism.

A286 Alloy

In applications up to 1000°F, this alloy exhibits similar properties to Inconel X-750. Its spring temper condition is obtained by precipitation hardening. A286 may be heat treated similar to spring temper and #1 temper Inconel.

□ This material exhibits no magnetism and has a blue/silver-gray color.

Elgiloy*

Known for its excellent resistance to corrosive environments and use at elevated temperatures, this relatively new spring material is now readily available from Smalley. Commonly used in oil industry applications, Elgiloy shows improved reliability over other NACE approved materials by resisting sulfide stress cracking. Additionally, Elgiloy is said to out perform “over 600% better than 17-7 PH in load retention at 650°F and provide over 100% more cycles (in fatigue resistance) than carbon steel, without breakage.”

□ Elgiloy exhibits no magnetism and is blue-brown in color as a result of heat treatment.

Coppers

Beryllium Copper Alloy #25

Normally specified in a hard temper, this alloy produces excellent spring properties due to a combination of low modulus of elasticity and high ultimate tensile strength. The alloy gains its physical properties by precipitation hardening. In contrast to other copper alloys, beryllium copper has the highest strength and offers remarkable resistance to loss of physical properties at elevated temperatures.

□ Beryllium copper is nonmagnetic. Its electrical conductivity is about 2-4 times as great as phosphor bronze

Phosphor Bronze, Grade A

Phosphor bronze offers fair spring properties, fair electrical conductivity and is rated a step below beryllium copper in performance. It is purchased in a spring temper condition to maximize spring characteristics.

□ Phosphor bronze is hardenable only by cold working. This material is also nonmagnetic.

*INCONEL X-750 is a registered trademark of Special Metals Corporation. ELGILOY is a registered trademark of Combined Metals of Chicago.

Material Finishes

Black Oxide

MIL-DTL-13924, Class 1

This finish provides a flat black finish. Black oxide is intended more for cosmetic appearance than for corrosion resistance.

Zinc Plating

Zinc Plate, ASTM B633, Type V, Fe/Zn 5, SC1 (Colorless)

Zinc Plate, ASTM B633, Type VI, Fe/Zn 5, SC1 (Colored Chromate)

Zinc plating is used on carbon steel to increase the corrosion resistance of the product. Zinc plating is often used as a cost effective and ecologically friendly alternative to Cadmium plating. Our standard Zinc plating, Type V and Type VI, are RoHS compliant. The thickness level of the plating is controlled by the service condition number (SC number) which can be designated by the customer. Zinc plating does not guarantee coverage between the turns of multiple turn rings. The process does subject the ring to the possibility of hydrogen embrittlement. Smalley offers stainless steel as a preferable option to both cadmium and zinc plating.

Oil Dip

This is the standard finish for all Smalley products produced from carbon steel. The oil provides resistance to corrosion in transport and normal storage. The oil dip finish should not be considered a permanent finish.

Passivation

AMS 2700, Method 1, Type 2, Class 3

Passivation is an optional cleaning operation for stainless steel. It provides a bright finish and increased corrosion resistance. Passivation dissolves iron particles and other substances, which have become imbedded in the surface of stainless steel during production. If not dissolved, these foreign particles could promote rusting, discoloration or even pitting.

In theory, the corrosion resistance of stainless steel is due to the thin, invisible oxide film that completely covers the surface of the ring and prevents further oxidation. Removing the contaminants prevents breaks in the oxide film for optimum corrosion resistance.

Zinc Phosphate

MIL-DTL-16232, Type Z, Class 2

This finish is sometimes referred to as "Parkerizing" and appears gray-black in color. The corrosion resistance of phosphate is superior to black oxide but inferior to cadmium plating or stainless steel. Phosphate can not be applied to stainless steel.

Vapor Degrease/Ultrasonic Clean

This is the standard cleaning and finish for all stainless steels. The process removes oil and other organic compounds from the material surface by use of a chlorinated solvent. The solvent effectively removes oil and grease from the exposed surfaces of the ring or spring. Ultrasonics are used in forcing the solvent to act between the turns of the ring.

Vibratory Deburr/Hand Deburr

Though all circumferential surfaces and edges of Spirolox Rings are smooth, sharp corners are always present on the gap ends due to the cut-off operation. To break the sharp corners, achieving a blended/smooth surface finish, rings may either be vibratory or hand deburred to meet your specifications.

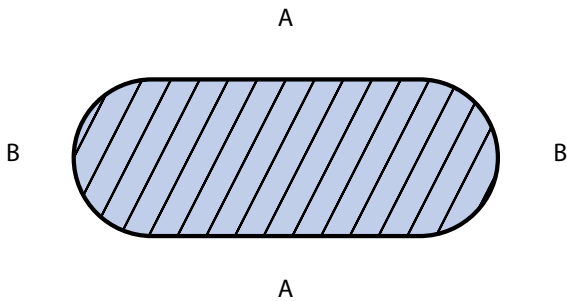
Materials

Specifications

Federal, aerospace and other regulating agencies have prepared several specifications for sheet and strip materials, but few have been published for flat wire. Smalley procures its material to internally generated specifications. In addition to controlling tensile strength, rigid inspection procedures have been established to check for edge contour, physical imperfections, camber, cross-section and chemical composition.

Ultimate Tensile Strength

To check the spring properties of wire, Ultimate Tensile Strength is the preferred test method over hardness because spring temper flat wire develops different hardnesses at various indentation points. As a result of cold rolling, the top and bottom surfaces ("A") become harder as they are more severely worked than the round edge areas ("B"). Tensile tests are more consistent as they evaluate the entire cross-section, not a single point as in a hardness test.



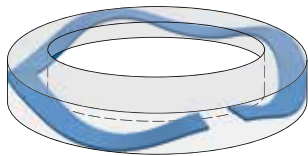
Spring Design

Defining the Spring Requirements

Although wave spring applications are extremely diverse, there is a consistently basic set of rules for defining spring requirements. Those requirements are used to select a stock/standard spring or design a special spring to meet the specifications.

Working Cavity

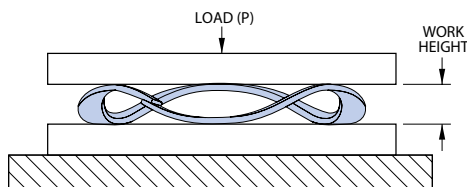
The working cavity usually consists of a bore the spring operates in and/or a shaft the spring clears. The spring stays positioned by piloting in the bore or on the shaft.



The distance between the loading surfaces defines the axial working cavity or work height of the spring.

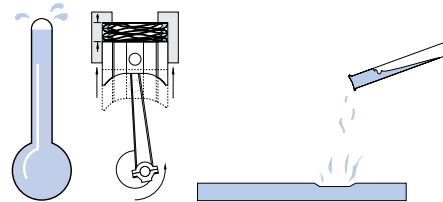
Load Requirement

The load requirement is defined by the amount of axial force the spring must produce when installed at its work height. Some applications require multiple working heights, where loads at 2 or more operating heights are critical and must be considered in the design. Often minimum and/or maximum loads are satisfactory solutions, particularly where tolerance stack-ups are inherent in the application.



Operating Environment

High temperature, dynamic loading (fatigue), a corrosive media or other unusual operating conditions must be considered in spring applications. Solutions to various environmental conditions typically require selection of the optimal raw material and operating stress.



Standard Springs vs. Custom Springs

Finding the right spring can be as easy as selecting a standard catalog item. A Smalley engineer can help you choose from over 4,000 standard parts available from stock in carbon and stainless steel. Smalley's "no-tooling" method of manufacturing provides the utmost in flexibility and quality. Whether the requirement is for 1 spring or 1,000,000 consider Smalley for your custom spring requirements.

Let Smalley Design Your Spring

Over 50% of Smalley's business is in the design and manufacturing of custom springs to suit individual applications. Whether it's a technical question, or the most complex spring design, Smalley engineers are always available and welcome the opportunity to assist you. Utilize the Application Checklist found in this catalog. Or at www.smalley.com we provide a simple procedure to e-mail us your known design parameters. An engineer will recommend a standard catalog item or provide you with design options for a custom spring.

Spring Design

Nomenclature

b	Radial Width of Material, in [(O.D. - I.D.)÷2]
D _m	Mean Diameter, in [(O.D. + I.D.)÷2]
E	Modulus of Elasticity, psi
f	Deflection, in
H	Free height, in
I.D.	Inside Diameter, in
K	Multiple Wave Factor, see Table 1
L	Length, Overall Linear, in
N	Number of Waves (per turn)
O.D.	Outside Diameter, in

P	Load, lb
S	Operating Stress, psi
t	Thickness of Material, in
WH	Work Height, in (H-f)
Z	Number of Turns

Multiple Wave Factor (K)

N	2.0-4.0	4.5-6.5	7.0-9.5	10.0 & Over
K	3.88	2.90	2.30	2.13

Table 1

Single Turn Gap or Overlap Type Applications

1. Low-Medium Force
2. Low-Medium Spring Rate
3. Short Deflection
4. Precise Load/Deflection Characteristics

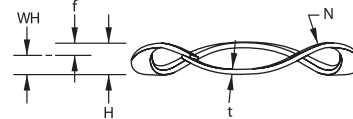
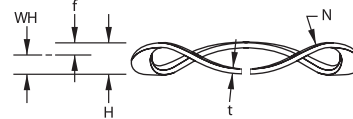
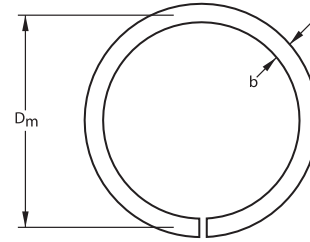
Single turn wave springs are the basic and most common wave spring product. They are used in the widest variety of spring applications due to their lower cost and simplified design configuration.

Single turn wave springs provide the most flexibility to designers. There are few restrictions in their design. They are specified in the majority of small axial and radial space constraint applications.

Formulas:

$$\text{Deflection} = f = \frac{P K D_m^3}{E b t^3 N^4} * \frac{\text{I.D.}}{\text{O.D.}}$$

$$\text{Operating Stress} = S = \frac{3 \pi P D_m}{4 b t^2 N^2}$$



Example: Smalley Part Number SSR-0200

Calculate free height and operating stress for Smalley part number SSR-0200 (Gap Type, Single Turn, Carbon Spring Temper Steel).

Where:

P = 34 lb
t = .024 in
b = .150 in
O.D = 1.985 in
I.D. = 1.685 in
D _m = 1.835 in
N = 4
E = 30x10 ⁶ psi
K = 3.88
WH = .093 in

$$\text{Deflection} = f = \frac{(34)(3.88)(1.835)^3}{(30 \times 10^6)(.150)(.024)^3(4)^4} * \frac{1.685}{1.985} = .043 \text{ in}$$

$$\text{*Free Height} = H = (\text{W.H.} + f) = .093 + .043 = .136 \text{ in}$$

$$\text{Operating Stress} = S = \frac{(3)(\pi)(34)(1.835)}{(4)(.150)(.024)^2(4)^2} = 106,339 \text{ psi}$$

*Calculated free height may not be the same as the actual springs measure due to variations in raw material and manufacturing process.

Crest-to-Crest (Series Stacked) Applications

1. Low-Medium Force
2. Low-Medium Spring Rate
3. Long Deflection
4. Precise Load/Deflection Characteristics

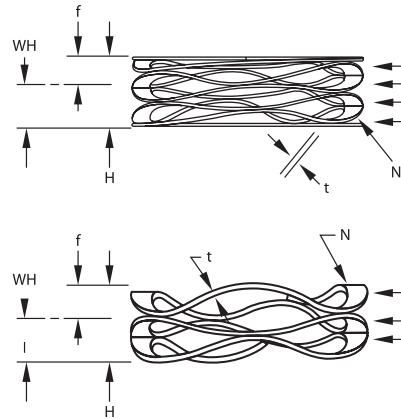
Crest-to-Crest flat wire compression springs are pre-stacked in series, decreasing the spring rate by a factor related to the number of turns.

Formulas:

$$\text{Deflection} = f = \frac{P K D_m^3 Z}{E b t^3 N^4} * \frac{\text{I.D.}}{\text{O.D.}}$$

$$\text{Operating Stress} = S = \frac{3 \pi P D_m}{4 b t^2 N^2}$$

Note:
N must be in 1/2 wave increments
Z = Number of active turns



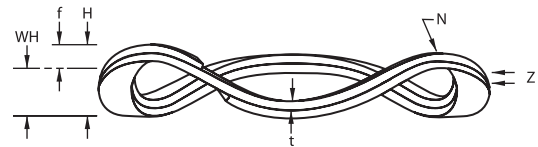
Nested Spirawave® (Parallel Stacked)

1. Higher Force
2. Higher Spring Rate
3. Short Deflection
4. Precise Load/Deflection Characteristics

Nested Spirawave Wave Springs are pre-stacked in parallel, increasing the spring rate by a factor related to the number of turns.

Formulas:

$$\text{Deflection} = f = \frac{P K D_m^3}{E b t^3 N^4 Z} * \frac{\text{I.D.}}{\text{O.D.}} \quad \text{Operating Stress} = S = \frac{3 \pi P D_m}{4 b t^2 N^2 Z}$$



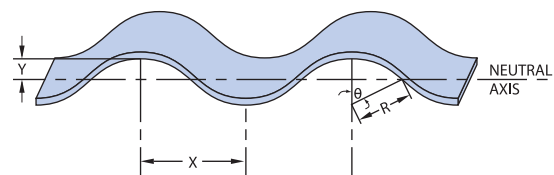
Diameter Expansion

Nested & Crest-to-Crest Spirawaves Only: Multiple turn Spirawaves expand in diameter when compressed. The formula shown below is used to predict the maximum fully compressed diameter.

Formula: Maximum outside diameter at 100% deflection (solid height) = .02222 * R * N * θ + b

Where:

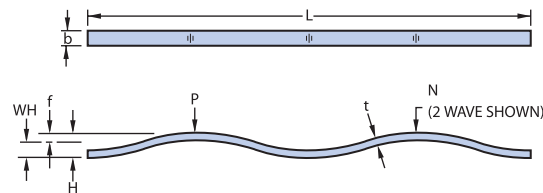
- R = Wave Radius = $(4Y^2 + X^2) \div 8Y$
 - N = Number of Waves
 - θ = Angle, degrees = $\text{ArcSin}(X \div 2R)$
 - b = Radial Wall
 - X = 1/2 Wave Frequency = $\pi D_m \div 2N$
 - Y = 1/2 Mean Free Height = $(H-t) \div 2$
- Where H = Per Turn Free Height



Linear Springs

Linear Springs are a continuous wave formed (marcelled) wire length produced from spring temper materials. They act as a load bearing device having approximately the same load/deflection characteristics as a wave spring.

Forces act axially or radially depending on the installed position. Axial pressure is obtained by laying the spring flat in a straight line. Circular wrapping the spring (around a piston for example) produces a radial force or outward pressure.



Formula: Single wave linear spring where N=1

$$\text{Deflection} = f = \frac{P L^3}{4 E b t^3} \quad \text{Operating Stress} = S = \frac{3 P L}{2 b t^2}$$

Formula: 2 or more wave linear springs where N>1

$$\text{Deflection} = f = \frac{P L^3}{16 E b t^3 N^4} \quad \text{Operating Stress} = S = \frac{3 P L}{4 b t^2 N^2}$$

Spring Design

Stress

Operating Stress

Compressing a wave spring creates bending stresses similar to a simple beam in bending. These compressive and tensile stresses limit the amount a spring can be compressed before it yields or “takes a set”. Although spring set is sometimes not acceptable, load and deflection requirements will often drive the design to accept some set or “relaxation” over time.

Maximum Design Stress

Static Applications Smalley utilizes the Minimum Tensile Strength found in this catalog’s Materials section to approximate yield strength due to the minimal elongation of the hardened flat wire used in Smalley products. When designing springs for static applications we recommend the calculated operating stress be no greater than 100% of the minimum tensile strength. However, depending on certain applications, operating stress can exceed the minimum tensile strength with allowances for yield strength. Typical factors to consider are permanent set, relaxation, loss of load and/or loss of free height.

Dynamic Applications When designing wave springs for dynamic applications, Smalley recommends that the calculation of operating stress not exceed 80% of the minimum tensile strength. Refer to the “Fatigue Stress Ratio” and Table 2 for further fatigue guidelines.

Residual Stress/Pre-Setting

Increasing the load capacity and/or fatigue life can be achieved by compressing a spring beyond its yield point or “presetting”. Preset springs are manufactured to a higher than needed free height and load and then compressed solid. Both the free height and load are reduced and the material surfaces now exhibit residual stresses, which enhance spring performance.

Fatigue

Fatigue cycling is an important consideration in wave spring design and determining precisely how much the spring will deflect can greatly impact the price of the spring. An analysis should include whether the spring deflects full stroke or only a few thousandths each cycle or possibly a combination of both as parts wear or temperature changes.

The fatigue guidelines in Table 2 provide a conservative approach and allow for calculation of cycle life between 2 work heights. Although these methods of fatigue analysis have proven to be a good approximation, testing is recommended whenever cycle life is critical.

Formula:

$$\text{Fatigue Stress Ratio} = X = \frac{(\sigma - S_1)}{(\sigma - S_2)}$$

(refer to Table 2)

Where: σ = Material tensile strength

S_1 = Calculated operating stress at lower work height
(must be less than σ)

S_2 = Calculated operating stress at upper work height

Fatigue Guidelines	
X	Estimated Cycle Life
< .40	Under 30,000
.40 - .49	30,000 – 50,000
.50 - .55	50,000 – 75,000
.56 - .60	75,000 – 100,000
.61 - .67	100,000 – 200,000
.68 - .70	200,000 – 1,000,000
> .70	Over 1,000,000

Table 2

Load/Deflection

A comparison of the actual spring rate to the theoretical (calculated) spring rate provides practical limits for the working range of the spring. Spring rate (P/f) can be calculated by manipulating the deflection equations. See formulas in the Spring Design section.

Figure 1 shows a graph of theoretical and tested spring rate. Typically, theoretical rate is accurate until the spring starts to bottom out or reach its “solid height”.

As a general rule, the calculated spring rate is linear through the first 80% of available deflection and for work heights down to 2 times the solid height. Although the spring can operate beyond this “linear” range, measured loads will be much higher than calculated.

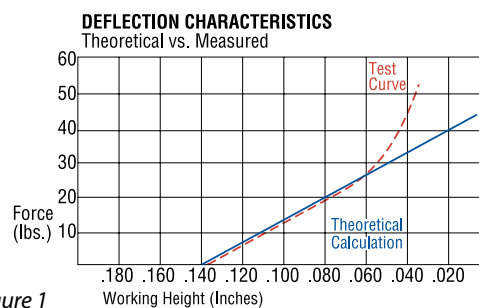


Figure 1

Hysteresis

Wave springs exert a greater force upon loading and lower force upon unloading. This effect is known as hysteresis. The shaded area shows a graphic representation between the curves in Figure 2.

In a single turn spring, friction due to circumferential and radial movements are the prime causes. Crest-to-Crest and Nested Springs also contribute to the frictional loss

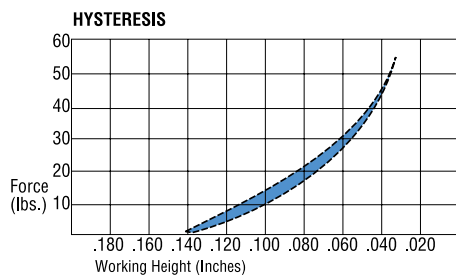


Figure 2

as adjacent layers rub against each other. Sufficient lubrication will minimize this effect.

Design Guidelines

Material Cross-Section

Material cross-section plays an important role in wave spring design. The most economical materials are those used in manufacturing Smalley standard springs and retaining rings. In addition, many other material cross sections are commonly used in special spring manufacture designs. Smalley engineering can provide assistance in selecting an economical alloy and cross section.

As a basic guideline, use our standard 'SSR'-Wave Spring series for cross-section/diameter relationships. Lighter material sections are usually acceptable. Heavier sections for a given diameter may be incorporated using the following information:

Special wave spring design criteria for selecting material cross-sections:

- Maximum material thickness = standard ('SSR-') thickness * 2
- Maximum radial wall = material thickness (any value) * 10
- Minimum radial wall = material thickness (any value) * 3

For Overlap Type Wave Springs and multiple turn Spirawaves, the radial wall must be sufficient to prevent misalignment between adjacent layers. For springs with a narrow radial wall, radial misalignment can occur during handling or during operation if the spring is not contained or closely piloted.

Solutions to this problem include dimensioning the spring to pilot closely on the I.D. and/or O.D. or designing the spring as a single turn Gap Type.

Diameters

Figure 3 illustrates two methods of specifying diameters. In either case, the spring diameter is developed to provide proper operation between the bore and the shaft.

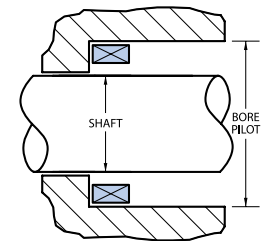


Figure 3a

Note: Smalley's manufacturing process of edgewinding controls either the O.D. or the I.D. The material radial wall is also tightly controlled. Therefore whenever possible, tolerance only one diameter and the radial wall instead of tolerancing both the O.D. and I.D.

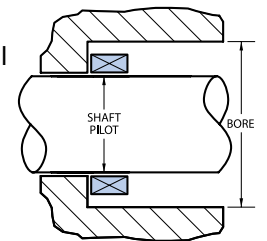


Figure 3b

Bore Pilot

For springs that pilot in the bore as shown in figure 3a, the bore and shaft diameters should be included in the spring specifications. Commonly used requirements would read:

"Spring must pilot and operate in a (minimum bore) bore diameter."

"Spring must clear a (maximum shaft) shaft diameter."

The actual spring diameter is then developed at time of manufacture to provide the best fit and prevent binding due to expansion.

For Gap Type and Overlap Type Springs, the outside diameter can be specified because binding is not a concern. The outside diameter can be toleranced to provide a minimum clearance in the bore or provide cling in the bore, as do the Smalley Bearing Preload Springs.

Shaft Pilot

For springs that pilot on a shaft as shown in Figure 3b, the inside diameter can be toleranced to provide a minimum clearance from the shaft. Since wave springs expand during compression, interference with the shaft is generally not a concern.

To insure proper operation, include shaft and bore diameters in the spring specifications. Commonly used requirements would read:

"Spring pilots over and clears a (maximum shaft) shaft diameter."

"Spring operates in a (minimum bore) bore diameter."

Engineering Design

Spirolox Retaining Ring and Constant Section Ring applications, although diverse, can be analyzed with a straight forward set of design calculations. There are four main areas that should be considered in most applications.

1. Material Selection
2. Load Capacity
3. Rotational Capacity
4. Installation Stress

Smalley Application Engineers are available to provide immediate technical assistance.

The following pages of Spirolox Retaining Ring and Constant Section Ring engineering design have been developed from over 50 years of extensive testing and research into the various applications of retaining rings. The formulas are provided for the preliminary analysis of a ring application and the design of a Spirolox Retaining Ring.

Design engineers commonly associate the word “retaining ring” to a basic style or type of retaining device. In reality, retaining rings are nearly as diverse as their applications. Spirolox Retaining Rings offer a distinct alternative, and in many instances an advantage, over the more common retaining rings available on the market today. Some of the major distinctions are:

Spiral Wound in Multiple Turns

Increases load capacity yet allows easy assembly by hand or as an automated process.

360° Retaining Surface

No gap – no protruding ears.

Diameters from .200” to 120”

Uniform Radial Section

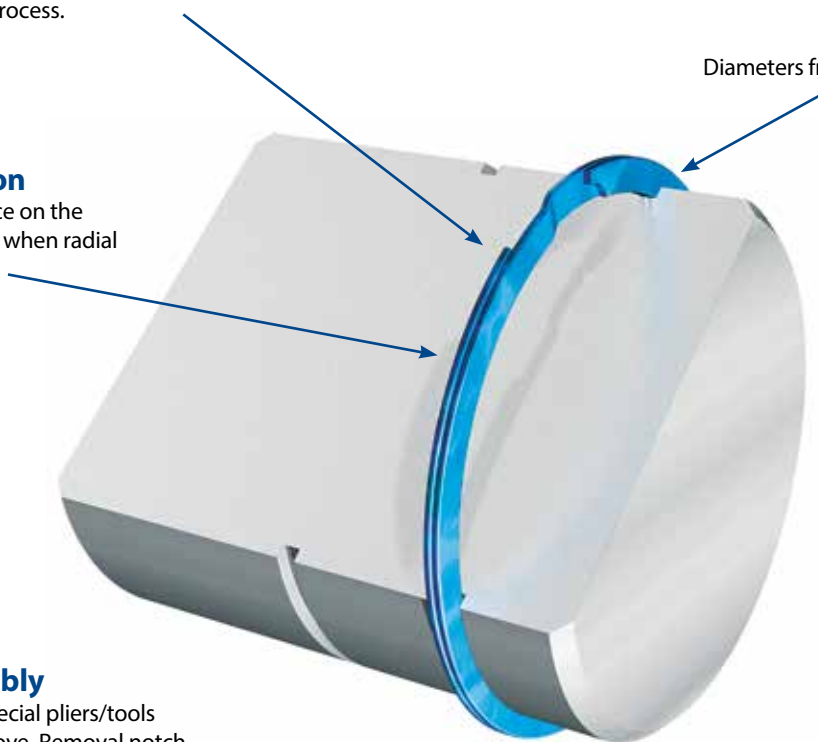
Provides a pleasant appearance on the assembled product. Beneficial when radial clearance is limited.

Simplified Assembly

Wind into groove. No special pliers/tools needed to install or remove. Removal notch provided for easy removal using a screwdriver.

Design Flexibility

Ring thickness can be changed to accommodate most any application by either varying material thickness and/or number of turns. Standard rings meet military and aerospace specifications. Special designs are produced quickly and economically in many alloys.



Load Capacity

Understanding the load capacity of a Spirolox Retaining Ring assembly requires calculations for both ring shear and groove deformation, with the design limitation being the lesser of the two.

The load capacity formulas do not take into account any dynamic or eccentric loading. If this type of loading exists, the proper safety factor should be applied and product testing conducted. In addition, the groove geometry and edge margin (i.e.; the distance of the groove from the end of the shaft or housing) should be considered.

When abusive operating conditions exist, true ring performance is best determined thorough actual testing.

Ring Shear

Although not commonly associated as a typical failure of Spirolox Retaining Rings, ring shear can be a design limitation when hardened steel is used as a groove material. Ring thrust load capacities based on ring shear are provided within this catalog's tables of standard rings. These values are based on a shear strength of carbon steel with the recommended safety factor of 3.

Formula:

$$P_R = \frac{D T S_S \pi}{K}$$

Where:

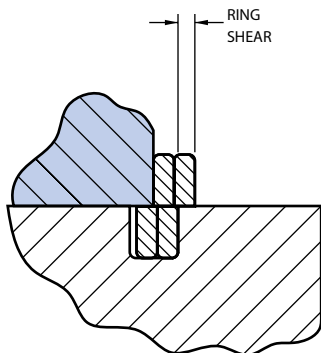
- P_R = Allowable thrust load based on ring shear (lb)
- D = Shaft or housing diameter (in)
- T = Ring thickness (in)
- S_S = Shear strength of ring material (psi)
- K = Safety factor (3 recommended)

Example:

1. WH-550-S16
2. Safety factor = 3

$$P_R = \frac{5.500 (.072) 108,000 (\pi)}{3}$$

$$P_R = 44,787 \text{ lb}$$



The thrust load based on ring shear above, must be compared to the thrust load based on groove deformation to determine which is the limiting factor in the design.

Groove Deformation (Yield)

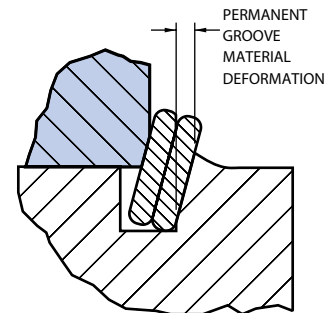
Groove deformation is by far the most common design limitation of retaining rings. As permanent groove deformation occurs, the ring begins to twist. As the angle of twist increases, the ring begins to enlarge in diameter. Ultimately, the ring becomes dished and extrudes (rolls) out of the groove. As a conservative interpretation, the following equation calculates the point of initial groove deformation. This does not constitute failure which occurs at a much higher value. A safety factor of 2 is suggested. Ring thrust load capabilities based on groove deformation are provided within this catalog's tables of standard rings.

Formula:

$$P_G = \frac{D d S_y \pi}{K}$$

Where:

- P_G = Allowable thrust load based on groove deformation (lb)
- D = Shaft or housing diameter (in)
- d = Groove depth (in)
- S_y = Yield strength of groove material (psi), see Table 1
- K = Safety factor (2 recommended)



Example:

1. WH-550-S16
2. Groove material yield strength = 45,000 psi
3. Safety factor = 2

$$P_G = \frac{5.500 (.074) 45,000 (\pi)}{2}$$

$$P_G = 28,769 \text{ lb}$$

Typical Groove material yield strengths

Hardened Steel 8620	110,000 psi
Cold Drawn Steel 1018	70,000 psi
Hot Rolled Steel 1018	45,000 psi
Aluminum 2017	40,000 psi
Cast Iron	10-40,000 psi

Table 1

Since ring shear was calculated at 44,787 lb, the groove yields before the ring shears. Therefore 28,769 lb is the load capacity of the retaining ring.

Ring Design

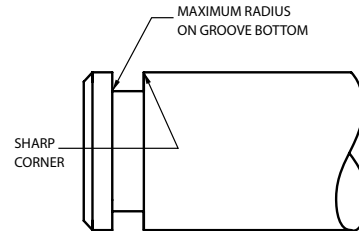
Groove Geometry

Groove Radius

To assure maximum load capacity it is essential to have square corners on the groove and retained components. Additionally, retained components must always be square to the ring groove in order to maintain a uniform concentric load against the retained part. The radius at the bottom of the groove should be no larger than Table 2 states.

Shaft or Housing Diameter	Maximum Radius on Groove Bottom
1 inch and under	.005 Max.
Over 1 inch	.010 Max.

Table 2



Retained Component

The retained part ideally has a square corner and contacts the ring as close as possible to the housing or shaft. The maximum recommended radius or chamfer allowable on the retained part can be calculated with the following formulas.

Where:

- b = Radial wall (in)
- d = Groove depth (in)

Example:

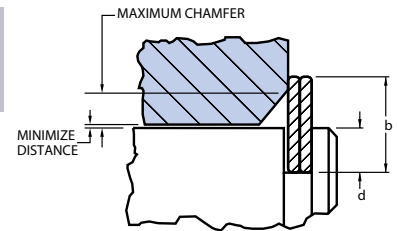
1. WH-100

Maximum Chamfer = $.375(.075-.021) = .020$ in

Maximum Radius = $.5(.075-.021) = .027$ in

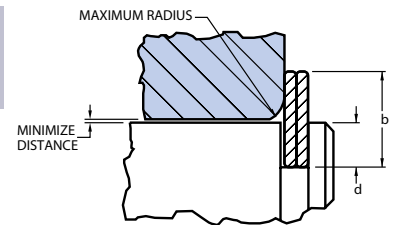
Formula:

Maximum Chamfer = $.375(b - d)$
(on retained component)



Formula:

Maximum Radius = $.5(b - d)$
(on retained component)



Edge Margin

Ring grooves which are located near the end of a shaft or housing should have an adequate edge margin to maximize strength. Both shear and bending should be checked and the larger value selected for the edge margin. As a general rule, the minimum edge margin may be approximated by a value of 3 times the groove depth.

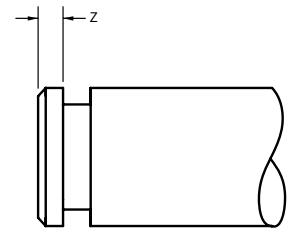
Formula:

$$z = \frac{K 3 P}{S_Y D_G \pi} \quad \text{Shear}$$

$$z = \left[\frac{K 6 d P}{S_Y D_G \pi} \right]^{1/2} \quad \text{Bending}$$

Where:

- z = Edge margin (in)
- P = Load (lb)
- D_G = Groove diameter (in)
- S_Y = Yield strength of groove material (psi), Table 1
- d = Groove depth (in)
- K = Safety factor (3 recommended)



Example:

1. VS-125

2. Groove material yield strength = 40,000 psi

3. Safety factor = 3

4. Load = 1,000 lb

$$z = \frac{3(3)1000}{40,000(1.206)\pi}$$

$$z = .059 \text{ in}$$

$$z = \left[\frac{3(6).022(1000)}{40,000(1.206)\pi} \right]^{1/2}$$

$$z = .051 \text{ in}$$

Therefore the minimum edge margin that should be used is .059 in

Rotational Capacity

The maximum recommended RPM for all standard external Spirolox Retaining Rings are listed in the ring tables of this manual.

A Spirolox Retaining Ring, operating on a rotating shaft, can be limited by centrifugal forces. Failure may occur when these centrifugal forces are great enough to lift the ring from the groove. The formula below calculates the RPM at which the force holding the ring tight on the groove (cling) becomes zero.

Rapid acceleration of the assembly may cause failure of the retaining ring. If this is a potential problem, contact Smalley engineering for design assistance.

Maximum RPM

Formula:

$$N = \left[\frac{3600 V E I g}{(4\pi^2) Y \gamma A R_M^5} \right]^{1/2}$$

- Where: N = Maximum allowable rpm (rpm)
 E = Modulus of elasticity (psi)
 I = Moment of inertia = $(t \times b^3) \div 12$ (in⁴)
 g = Gravitational acceleration (in/sec²), 386.4 in/sec²
 V = Cling $\div 2 = (D_G - D_I) \div 2$ (in)
 D_G = Groove diameter (in)
 D_I = Free inside diameter (in)
 Y = Multiple turn factor, Table 3
 n = Number of turns
 γ = Material density (lb/in³), (assume .283 lb/in³)
 A = Cross sectional area = $(t \times b) - (.12)t^2$ (in²)
 t = Material thickness (in)
 b = Radial wall (in)
 R_M = Mean free radius = $(D_I + b) \div 2$ (in)

n	1	2	3	4
Y	1.909	3.407	4.958	6.520

Table 3

Example:

1. WSM-150

$$V = (D_G - D_I) \div 2 = (1.406 - 1.390) \div 2 = .008 \text{ in}$$

$$I = (t \times b^3) \div 12 = (.024 \times .118^3) \div 12 = 3.29 \times 10^{-6} \text{ in}^4$$

$$A = (t \times b) - (.12)t^2 = (.024 \times .118) - .12(.024)^2 = .00276 \text{ in}^2$$

$$R_M = (D_I + b) \div 2 = (1.390 + .118) \div 2 = .754 \text{ in}$$

$$N = \left[\frac{3600 (.008) 30,000,000 (3.29 \times 10^{-6}) 386.4}{(4\pi^2) 3.407 (.283) .00276 (.754)^5} \right]^{1/2}$$

N = 6,539 rpm

Self-Locking

This feature allows the ring to function properly at speeds that exceed the recommended rotational capacity. The self-locking option can be incorporated for both external and internal rings. The self-locking feature utilizes a small tab on the inside turn "locking" into a slot on the outside turn. Self-locking allows the ring to operate at high speeds, withstand vibration, function under rapid acceleration and absorb a degree of impact loading.



To learn more about self-locking rings and their installation and removal, please visit: www.smalley.com/LockingRings.

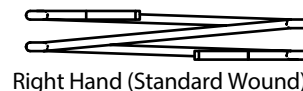
Balanced

Smalley's balanced feature statically balances the retaining ring. A series of slots, opposite the gap end, account for the missing material in the gap. This characteristic is very useful when the balance of the assembly is critical and it is necessary to reduce eccentric loading.



Left Hand Wound

Smalley retaining rings are wound standard in a clockwise direction. In special applications it is sometimes favorable to have the retaining ring reverse, left hand wound.



Right Hand (Standard Wound)



Left Hand (Reverse Wound)

Ring Design

Maximum Allowable RPM for Spirolox Retaining Rings — Imperial

Part NUMBER	VS	WS	WST	WSM	FSE	Part NUMBER	VS	WS	WST	WSM	FSE	Part NUMBER	VS	WS	WST	WSM	FSE
25	45,227	-	-	36,651	-	146	-	5,020	-	-	-	334	-	1,840	1,810	1,960	-
31	39,946	-	-	31,364	-	150	5,900	4,940	4,670	6,540	12,178	337	2,630	1,790	-	-	3,433
37	31,161	-	-	23,025	-	156	7,720	5,343	5,160	6,110	9,004	343	3,500	1,750	1,690	1,880	3,334
43	24,067	-	-	18,019	-	157	-	5,240	-	-	-	350	2,440	1,700	2,020	2,090	3,236
46	-	-	28,820	21,450	-	162	7,220	4,880	4,690	5,750	9,118	354	-	1,730	1,960	2,080	-
50	28,030	24,650	20,780	20,600	32,573	168	6,590	4,930	4,110	5,260	8,595	356	2,370	1,680	-	1,970	3,528
56	-	-	-	-	32,410	175	6,200	4,510	3,930	4,970	8,101	362	2,270	1,660	1,860	1,890	2,970
53	-	21,280	-	-	-	177	-	4,410	3,960	4,990	-	368	2,210	1,600	1,860	1,890	2,890
55	-	19,440	18,130	18,260	-	181	5,700	4,290	4,170	4,720	8,470	374	-	1,520	-	-	-
56	21,060	18,520	17,270	17,400	-	187	5,380	4,240	3,850	4,540	6,440	375	2,120	1,530	1,790	1,860	2,964
59	-	17,290	15,200	15,390	-	193	5,100	4,020	-	-	8,047	381	2,060	1,470	-	-	2,701
62	17,850	19,500	15,700	14,730	22,107	196	-	3,860	3,320	4,730	-	387	2,010	1,500	1,620	1,750	2,934
65	-	16,270	-	-	-	200	4,720	3,740	3,410	4,560	7,650	393	1,930	1,510	1,560	1,690	2,529
66	-	16,510	15,600	13,860	-	206	5,970	3,550	3,340	3,810	7,103	400	1,880	1,470	1,560	1,660	2,264
68	15,340	15,470	15,600	13,510	19,520	212	5,550	3,400	3,120	3,560	6,603	406	-	1,400	-	-	-
71	-	13,050	-	-	-	215	-	3,490	3,120	3,450	-	412	2,090	1,350	-	-	2,367
75	12,350	14,290	12,750	12,190	22,451	216	-	3,370	-	-	-	413	-	1,380	-	-	-
78	-	12,960	11,590	11,110	-	218	5,290	3,290	-	-	6,316	418	-	1,360	-	-	-
81	15,380	12,470	11,300	10,150	17,414	225	5,050	3,220	2,820	3,240	6,040	425	1,960	1,360	1,350	1,440	2,350
84	-	10,770	-	-	-	231	4,720	3,020	2,730	3,040	5,786	431	-	1,300	-	-	-
87	12,800	10,570	10,660	10,340	17,374	236	-	2,870	-	-	-	433	-	1,300	-	-	-
90	-	9,180	-	-	-	237	4,520	2,890	2,560	3,380	6,343	437	1,850	1,290	1,250	1,360	2,215
93	11,500	9,400	9,100	8,760	12,757	243	4,240	2,920	2,480	3,180	5,089	443	-	1,230	-	-	-
96	-	8,920	-	-	-	250	4,063	2,750	3,040	3,090	4,994	450	1,750	1,270	1,210	1,300	2,116
98	-	9,530	6,980	8,640	-	255	-	2,600	3,430	2,920	-	456	-	1,280	-	-	-
100	9,800	9,160	7,800	8,940	18,675	256	3,900	2,600	-	-	5,118	462	1,670	1,240	-	-	2,001
102	-	9,070	7,400	8,500	-	262	3,680	2,500	2,780	2,750	4,073	468	-	1,220	-	-	-
103	-	8,080	-	-	-	268	3,540	2,470	2,630	2,680	4,797	472	-	1,180	-	-	-
106	11,490	8,610	8,660	11,260	11,446	275	3,400	2,340	2,560	2,790	3,981	475	1,580	1,180	1,160	1,180	2,193
109	-	7,350	-	-	-	281	3,220	2,380	-	-	4,074	481	-	1,140	-	-	-
112	9,990	7,470	7,960	9,820	12,107	287	3,100	2,260	2,260	2,590	3,927	487	1,520	1,120	-	-	1,816
115	-	6,700	-	-	-	293	2,940	2,140	2,200	2,460	3,727	493	-	1,090	-	-	-
118	9,220	7,350	6,320	9,040	15,056	295	-	2,160	-	-	-	500	1,440	1,050	1,020	1,080	1,724
121	-	6,340	-	-	-	300	2,840	2,080	2,150	2,410	3,537	511	-	1,000	-	-	-
125	8,500	6,750	6,500	8,042	11,970	306	3,670	2,020	2,090	2,290	3,245	512	-	1,020	-	-	-
128	-	5,860	-	-	-	312	3,030	1,980	1,990	2,240	3,853	525	1,310	970	1,280	1,210	-
131	7,880	6,310	5,800	8,280	13,786	314	-	1,980	-	-	-	537	-	900	-	-	-
134	-	5,960	-	-	-	315	-	-	1,990	2,190	-	550	1,190	890	1,170	1,120	-
137	7,030	6,110	6,000	7,430	11,008	318	2,930	1,930	-	-	3,731	551	-	870	-	-	-
140	-	5,580	-	-	-	325	2,790	1,870	1,900	2,100	3,557	562	-	840	-	-	-
143	6,560	5,490	5,160	6,700	11,594	331	2,700	1,840	-	-	3,595	575	1,090	820	1,100	1,030	-

Maximum Allowable RPM for Spirolox Retaining Rings — Metric

Part NUMBER	VSM	ES	DNS	FS	Part NUMBER	VSM	ES	DNS	FS	Part NUMBER	VSM	ES	DNS	FS	Part NUMBER	VSM	ES	DNS	FS
6	51,561	-	-	-	34	7,398	7,982	7,763	10,847	70	3,402	2,315	2,982	4,411	165	1,000	795	753	1,201
7	39,742	-	-	-	35	7,004	7,485	7,628	11,685	71	-	2,309	-	-	170	945	749	715	1,151
8	40,518	-	-	-	36	6,641	6,903	8,474	11,640	72	3,218	2,321	2,805	3,947	175	894	697	671	1,088
9	35,627	-	-	-	37	-	7,227	-	-	75	2,949	2,152	2,537	3,648	180	848	657	636	1,030
10	31,833	-	-	-	38	5,994	7,174	7,556	10,520	77	-	-	2,379	3,467	185	898	631	601	1,115
11	25,202	-	-	-	40	7,573	6,172	7,181	10,841	78	3,158	2,007	2,304	3,731	190	854	591	577	860
12	30,875	22,153	-	-	42	6,888	5,715	6,546	8,972	80	3,025	1,981	2,576	3,747	195	813	569	551	880
13	26,805	20,094	22,915	31,185	45	6,021	5,158	5,740	7,861	82	2,900	1,895	2,425	3,574	200	775	534	518	837
14	22,359	18,471	19,967	21,602	46	-	4,909	5,505	7,006	85	2,703	1,825	2,333	3,476	205	-	-	495	1068
15	19,625	14,543	17,836	24,273	47	-	5,570	5,283	7,232	88	2,526	1,737	2,143	3,252	210	802	579	466	1077
16	17,364	14,149	18,132	29,110	48	5,309	5,744	5,075	7,881	90	2,443	1,721	2,029	2,731	220	734	530	425	932
17	14,958	15,923	15,677	19,841	50	4,901	4,084	5,651	7,885	92	-	-	-	-	230	674	482	527	854
18	13,439	12,233	16,195	22,605	52	6,057	3,616	5,251	7,318	95	2,174	1,509	1,777	2,598	240	622	444	486	735
19	12,140	11,685	14,221	20,417	53	-	3,450	-	-	98	-	-	1,659	2,377	250	575	413	451	726
20	11,066	10,810	12,948	18,532	54	-	3,295	4,842	6,811	100	1,955	1,508	1,579	2,542	260	582	381	424	743
21	15,326	9,641	12,475	16,896	55	5,380	3,360	4,680	6,576	102	-	-	1,530	2,746	270	541	354	390	718
22	13,341	10,397	11,421	13,523	56	5,238	3,215	4,525	6,354	105	2,082	1,399	1,435	2,640	280	505	328	363	714
23	-	9,652	10,495	14,213	58	4,890	3,111	4,359	5,942	108	-	-	1,368	2,418	290	472	-	382	624
24	11,035	8,479	10,825	19,083	59	-	2,982	-	-	110	1,902	1,323	1,391	2,279	300	443	-	357	584
25	10,214	8,524	10,020	11,982	60	4,575	2,862	4,050	4,793	115	1,745	1,248	1,280	2,090	310	-	-	342	-
26	12,483	8,642	9,301	12,494	61	-	2,683	-	-	120	1,606	1,176	1,175	1,694	320	-	-	316	-
27	-	11,357	8,721	14,320	62	4,323	2,884	3,738	5,490	125	1,483	1,092	1,088	1,778	330	-	-	299	-
28	10,648	10,259	8,609	15,229	63	4,220	2,773	3,691	5,071	130	1,374	993	1,017	1,647	340	-	-	343	-
29	9,973	9,765	8,060	18,016	64	-	2,780	-	-	135	1,270	934	952	1,530	350	-	-	322	-
30	9,534	9,149	7,562	12,189	65	3,967	2,577	3,430	4,806	140	1,186	870	888	1,519	360	-	-	305	-
31	-	8,495	-	-	66	-	2,526	-	-	145	-	821	835	1,331	370	-	-	291	-
32	8,437	7,778	8,686	14,215	67	-	2,275	3,239	4,463	150	1,022	755	788	1,470	380	-	-	276	-
33	-	-	8,205	9,511	68	3,602	2,486	3,201	3,945	155	961	891	733	1,379	390	-	-	262	-
					69	-	2,438	-	-	160	1,060	831	690	1,296	400	-	-	251	-

Installation Stress Analysis

The equations provided are used to check that the elastic stress limit of the ring material is not exceeded by stress due to installation. Standard parts that are assembled manually in the recommended shaft/bore and groove diameters do not require stress analysis. Special rings, or rings being assembled with special tooling, require stress analysis.

To select a safe stress value, it is necessary to estimate the elastic limit of the raw material. The minimum tensile strength, as shown in the materials table of the catalog, can be used as a suitable estimate. As with any theoretical calculation, a closer analysis of the actual application may reveal that these stress values can be exceeded. However, particular consideration must be made to functional characteristics such as installation method, the number of times the ring will be installed and removed, thrust load and/or centrifugal capacity.

After forming, the ring's natural tendency is to return to its original state. This places the inner edge of the radial wall in residual tension and the outer edge in residual compression. To account for the residual stress in the ring when expansion is taking place, only 80% of the minimum tensile strength should be used to compare to the installation stress; see Table 4.

In special designs, where the installation stress exceeds the material's elastic limit, rings can be produced to diameters which will yield a predetermined amount during assembly. Once installed, the ring will have the proper cling (grip) on the groove.

Installation Stress

Formula:

For external rings

$$S_E = \frac{E b (D_S - D_I)}{(D_I + b)(D_S + b)}$$

For internal rings

$$S_C = \frac{E b (D_O - D_H)}{(D_O - b)(D_H - b)}$$

Where:

- S_E = Stress due to expansion (psi)
- S_C = Stress due to compression (psi)
- E = Modulus of elasticity (psi)
- b = Radial wall (in)
- D_S = Shaft diameter (in)
- D_H = Housing diameter (in)
- D_I = Free inside diameter, minimum (in)
- D_O = Free outside diameter, maximum (in)

Application	Percent of Minimum Tensile Strength
Shaft	80%
Housing	100%

Table 4

Example: Compare theoretical installation stress to percent of minimum tensile strength.

1. WS-100-S02

$$S_E = \frac{28,000,000 (.075) (1.000-.933)}{(.933 + .075)(1.000 + .075)}$$

$$S_E = 129,845 \text{ psi}$$

Minimum tensile strength of the ring material: 210,000 psi.

Using 80%, (Table 4), of 210,000 psi = 168,000 psi.

$$129,845 \text{ psi} < 168,000 \text{ psi}$$

Since the installation stress is less than 80% of the minimum tensile strength, permanent set is not expected.

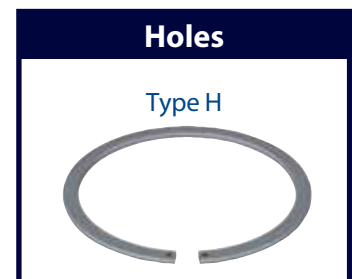
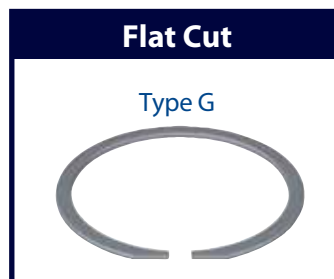
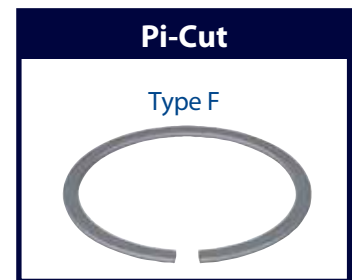
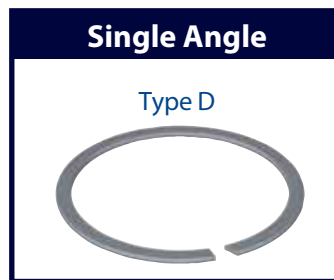
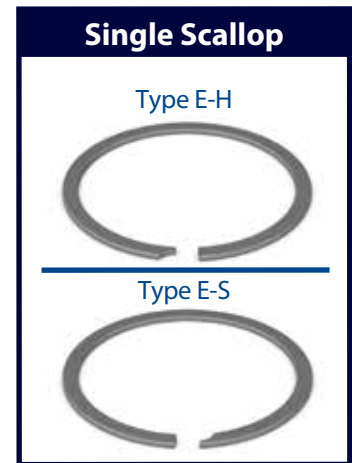
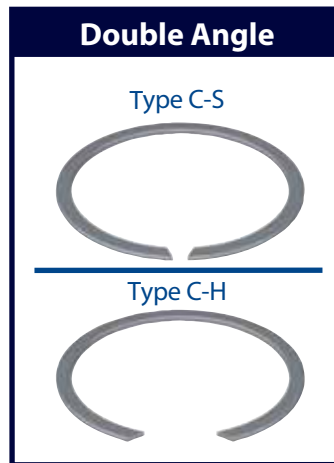
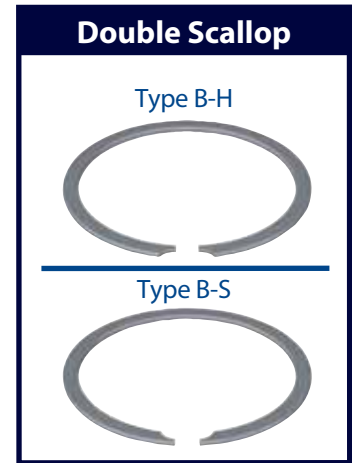
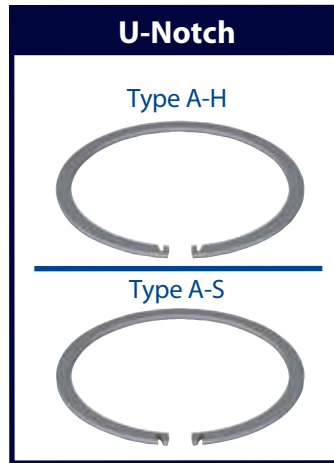
End Configurations - Constant Section Rings Series

End Configurations

Smalley offers 4 series of Eaton style snap rings from stock. Additional end types can be manufactured to meet your snap ring requirements. Inquire about the following end types:

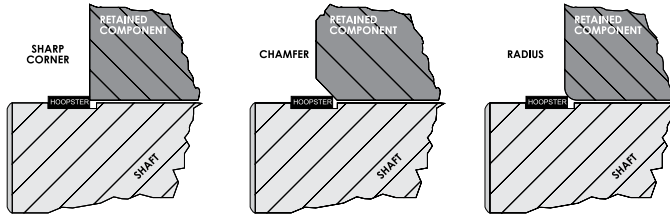
Material Hardness

Thickness (Inch)	Hardness (Rc) Min.
Up to .022	46.0
Over .022 to .050	44.0
Over .050 to .078	42.0
Over .078	40.0



Ring Abutment

Unlike a conventional Spiral Retaining Ring or Snap Ring, the retained component in a Hoopster® Retaining Ring* assembly may have a corner break. Thrust load is not sacrificed when the retained component has a broken corner because the moment arm is negligible in a Hoopster design.

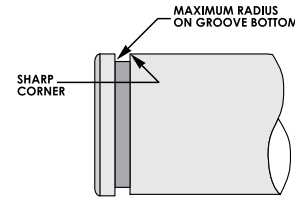


The 3 sketches above illustrate acceptable abutment practice.

Groove Design and Geometry

Groove deformation is by far the most common design limitation of most retaining rings. Unlike a conventional retaining ring or snap ring that fails by deforming and twisting, the Hoopster Retaining Ring shows superior strength from its low profile and mechanical advantage over traditional retaining rings under load. With a Hoopster, there is no moment arm that twists the ring causing premature failure as with a conventional retaining ring.

The shallow groove specification of a Hoopster makes the groove wall a critical specification, to ensure the function of the ring. To obtain maximum load capacity from a Hoopster Retaining Ring, it is essential to have sharp corners on the groove. The maximum radius on the groove bottom should be no greater than 10% of the ring's radial wall. Maintaining a sharp corner on the top of the groove is just as critical.



Formula: Maximum Radius on Groove Bottom = .10b

Where: b = Ring radial wall

Thrust Capacity

The shallow groove depth associated with a Hoopster, in combination with the groove material, are the controlling factors in determining thrust capacity. The Hoopster does not twist when loaded so pure thrust load based on the yield strength of the groove material maximizes the Hoopster's load carrying capacity.

Formula:

$$P_G = \frac{D d S_y \pi}{K}$$

Where:

- P_G = Allowable thrust load based on groove deformation (lb)
- D = Shaft or housing diameter (in)
- d = Groove depth (in)
- S_y = Yield strength of groove material (psi)
- K = Safety factor (2 recommended)

Typical Groove Material Yield Strengths

Hardened Steel 8620	110,000 psi
Cold Drawn Steel 1018	70,000 psi
Hot Rolled Steel 1018	45,000 psi
Aluminum 2017	40,000 psi
Cast Iron	10-40,000 psi

Table 5

*PATENT PENDING

Springs Checklist

Application Checklist

Custom Orders...Our Specialty

Smalley Wave Springs

Fax to: 847.719.5999

Quick Delivery on Custom Orders • No-Tooling-Cost • Precise Specifications • Engineering/Design Assistance
Complete this application checklist and challenge Smalley's Engineering staff.

Name _____ Title _____ Date _____
 Company _____
 Address _____
 City/State/Zip Code _____ Country _____
 Phone _____ Fax _____
 Email _____

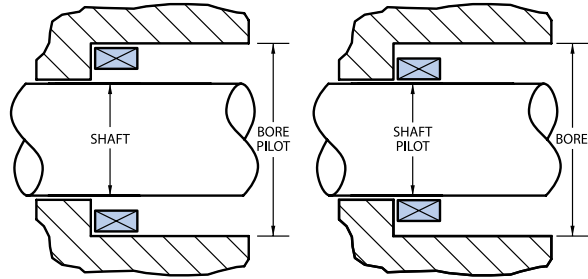
Dimensions In: () Imperial Units () Metric Units

Operates in _____ bore diameter

Inside diameter clears _____ shaft

Specify which diameter the spring should pilot closest to:

() Bore () Shaft



Load Deflection (Select One)

Group A

Min - Max Load @ Work Height () lb @ in () N @ mm

Free Height _____ Approximate

Group B

Min - Max Load @ Work Height () lb @ in () N @ mm

Min - Max Load @ Work Height () lb @ in () N @ mm

Free Height _____ Approximate

Group C

Free Height _____ (min) — _____ (max)

of Waves _____ Material Thickness _____

Radial Wall _____

Sketch

Material

Consider the environment:

Temperature _____ °
() F () C

Corrosive Media _____

*Carbon Steel ()

*17-7 PH/CH900 Stainless ()

302 Stainless Steel ()

316 Stainless Steel ()

Inconel X-750 ()

Other _____ ()

Finish

* Oil dipped ()
(Carbon Steel)

* Vapor degreased ()
and ultrasonic cleaned

(Stainless Steel)

Passivate ()

Black Oxide ()

Phosphate Coat ()

Vibratory Deburr ()

Other _____ ()

Fatigue: Specify estimated cycle life

() Static Application () 10⁶ Cycle Life

() Under 10⁵ Cycle Life () Over 10⁶ Cycle Life

() 10⁵ Cycle Life

Quantity: Prototype _____

Production _____

Application: (Description)

*Denotes standard material or finish.

Application Checklist

Custom Orders...Our Specialty

Rings Checklist

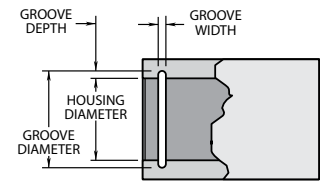
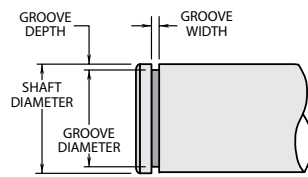
Fax to: 847.719.5999

Quick Delivery on Custom Orders • No-Tooling-Cost • Precise Specifications • Engineering/Design Assistance
Complete this application checklist and challenge Smalley's Engineering staff.

Name _____ Title _____ Date _____
 Company _____
 Address _____
 City/State/Zip Code _____ Country _____
 Phone _____ Fax _____
 Email _____

Dimensions In: () Imperial Units () Metric Units

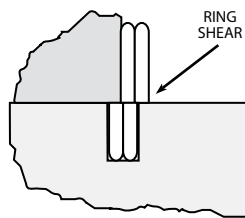
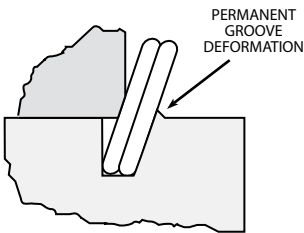
Housing Diameter _____
 Shaft Diameter _____
 Groove Diameter _____
 Groove Width _____
 RPM _____



Ring Radial Wall _____

Ring Thickness _____

Thrust Capacity



1. Groove Deformation

Occurs when maximum capacity is limited by the groove material (groove material is soft)

2. Ring Shear

Occurs when maximum capacity is limited by the retaining ring (groove material is hardened)

If thrust is a consideration specify:

Groove Material _____

Load Capacity _____ () lb () N

Sketch

*Denotes standard material or finish.

Finish

- * Oil dipped ()
- (Carbon Steel)
- * Vapor degreased ()
- and ultrasonic cleaned
- (Stainless Steel)
- Passivate ()
- Black Oxide ()
- Phosphate Coat ()
- Vibratory Deburr ()
- Other _____ ()

Material

- Consider the environment:
 Temperature _____ °
 () F () C
- Corrosive Media _____
- *Carbon Steel ()
 - *302 Stainless Steel ()
 - *316 Stainless Steel ()
 - Inconel X-750 ()
 - A-286 ()
 - Other _____ ()

Quantity: Prototype _____

Production _____

Application: (Description)

Laminar Rings Checklist

Application Checklist Custom Orders...Our Specialty

Laminar Rings Checklist

Fax to: 847.719.5999

Quick Delivery on Custom Orders • No-Tooling-Cost • Precise Specifications • Engineering/Design Assistance
Complete this application checklist and challenge Smalley's Engineering staff.

Name _____ Title _____ Date _____

Company _____

Address _____

City/State/Zip Code _____ Country _____

Phone _____ Fax _____

Email _____

Series

(see pages 103 - 109 for more information)

A. Single-Turn Ring Sets

(English - YH, YHK, YS, or YSK) ()

(Metric - QH, QHK, QS, or QSK) ()

B. Double-Turn Ring Sets

(English - YHD, YHKD, YSD, or YSKD) ()

(Metric - QHD, QHKD, QSD, or QSKD) ()

Material

Standard	*Maximum Recommended Operating Temperature		()
	°F	°C	
Carbon Steel (SAE 1070-1090)	250	120	()
302 Stainless Steel	400	200	()
Special	*Maximum Recommended Operating Temperature		()
	°F	°C	
17-7 PH/CH900 Stainless Steel	650	343	()
A286 Alloy	1000	538	()
316 Stainless Steel	400	204	()
Inconel X-750	700-1300	370-700	()
Elgiloy	800	427	()
Other _____			

Quantity (sets):

Prototype _____

Production _____

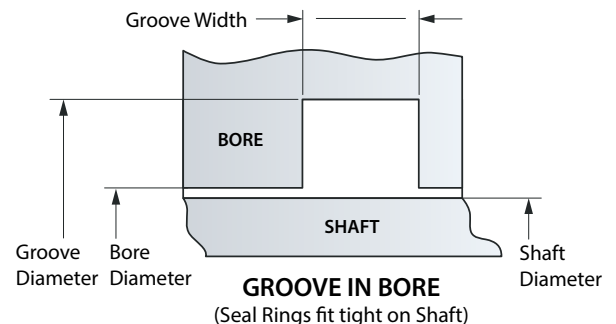
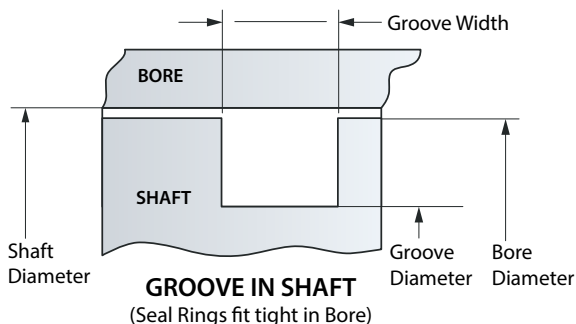
Application: (Description)

Sketch

Dimensions In: () Imperial Units () Metric Units

Bore Diameter _____ Shaft Diameter _____

Groove Diameter _____ Groove Width _____



Smalley Steel Ring offers **free** samples of catalog retaining rings, constant section rings and wave springs to test in your application.

Shipping Address

Telephone number required for samples

FAX OR EMAIL NOW!
847.719.5999 • info@smalley.com

Name _____
Company _____
Address _____
City/State/Zip Code _____ Country _____
Phone _____ Fax _____
Email _____

Shipping Method

All samples are sent out by US Mail. For expedited delivery, please provide a valid UPS or FedEx account number and specify the service to bill. Please call Smalley at 847.719.5900 to request other delivery methods.

Regular US Mail: *(free)*

UPS: Account number for charges *(required)* _____
 Ground Overnight 2nd Day

FedEx: Account number for charges *(required)* _____
 Overnight 2nd Day

Specific Sample

Please provide us with the part number you would like to test and the requested material:

Smalley Part Number: _____ Carbon Steel Stainless Steel
Smalley Part Number: _____ Carbon Steel Stainless Steel

Assorted Samples

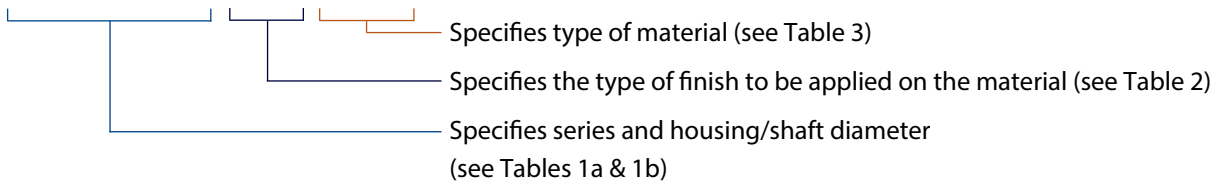
Please send me a sample bag of assorted Smalley retaining rings and wave springs.

Smalley reserves the right to authorize all sample requests.

Specifying Smalley Part Numbers

Smalley ring and spring part numbers consist of three steps. Please use the following guide to correctly identify your part number:

WHT-50-PA-S02



1 Step 1: Base Part Numbers

Select Series...

TABLE 1a: Retaining Ring Series

SERIES	# TURNS	INTERNAL	EXTERNAL
Light Duty	1	VH	VS
Light Duty*	1	VHM	VSM
Medium Duty	2	WH	WS
Medium Heavy Duty	2 or 3	WHT	WST
Heavy Duty	2	WHM	WSM
Constant Section	1	FHE	FSE
Constant Section (Eaton Style)	1	XAH	XAS
Constant Section (Eaton Style)	1	XDH	XDS
Aerospace*	2	EH	ES
DIN Series*	2	DNH	DNS
Constant Section*	1	FH	FS
Hoopster	1	HH/HHU	HS
Hoopster*	1	HHM/HHMU	HSM
WaveRing	2	WHW	WSW

* Metric Series

TABLE 1b: Wave Spring Series

SERIES	PREFIX
Standard Single-Turn	SSR
Bearing Preload*	SSB
Narrow Section Single-Turn	SSR-N
Shim	SSRS
Crest-to-Crest	C
Crest-to-Crest with Shim End	CS
Crest-to-Crest*	CM
Crest-to-Crest with Shim End*	CMS
Wavo	RW

* Metric Series

Then Specify Part Diameter

See the product tables for a complete listing of available diameters in stock. Below are some base part number examples:

WH-100	1.000" Medium Duty Internal Ring
WSM-150	1.500" Heavy Duty External Ring
C150	1.500" Crest-to-Crest Wave Spring
CS125	1.250" Crest-to-Crest Wave Spring w/ Shim Ends
RW-0237	2.375" Wavo Spring

2

Step 2: Finish

To prevent corrosion, carbon steel has an oil dip finish. Stainless steel parts are vapor degreased and go through an ultrasonic cleaning process. To specify a special finish on retaining rings or wave springs add the appropriate suffix to the part number preceding the material suffix. For standard materials, there is no designation necessary.

TABLE 2: Finish

STANDARD	
Finish	Designation
Carbon Steel — Oil Dip	None
Stainless Steel — Vapor Degrease & Ultrasonic Clean	None

SPECIAL	
Finish	Designation
Passivation	PA
Black Oxide	BA
Phosphate Coat	PS
Cadmium Plate	CD
Vibratory Deburr	DV

Example: WH-100-**PA**-S02 1.000" Medium Duty Housing Ring, with **passivation** in 302 stainless steel

3

Step 3: Material

To specify the material, add the appropriate designation below to the end of the part number.

TABLE 3: Material

STANDARD	
Material	Designation
Carbon Steel SAE 1070-1090	None
302 Stainless Steel (Retaining Rings)	S02
316 Stainless Steel (Retaining Rings)	S16
17/7 PH Stainless Steel (Wave Springs)	S17

SPECIAL	
Material	Designation
Inconel X-750	INX
A286	A86
Beryllium Copper	BEC
Phosphor Bronze	PHB
Elgiloy	LGY

Examples: VH-50 0.500" Light Duty Housing Ring in **Carbon Steel**
 VS-100-**S02** 1.000" Light Duty Shaft Ring in **302 Stainless Steel**
 C050-M5-**INX** 0.500" Crest-to-Crest Wave Spring in **Inconel X-750**

Note: Custom wave springs can be manufactured in 302 & 316 stainless steel, retaining rings can be manufactured in 17-7 PH stainless steel upon request.

Packaging

Smalley has the flexibility to package retaining rings and wave springs using a variety of methods to simplify your assembly process. Standard packaging is based on the diameter. As a general rule for both retaining rings and wave springs:

- 15/16" and under diameters are bulk packaged.
- 138" and over diameters are generally tube (coin) packaged in lengths 10" to 18".

Placing An Order

Smalley customer service representatives are available to assist you and guide you through the ordering process. For standard catalog rings and springs, Smalley's customer service department can assist with pricing, ordering and delivery information. Contact Smalley customer service at:

847.719.5900

847.719.5999

sales@smalley.com

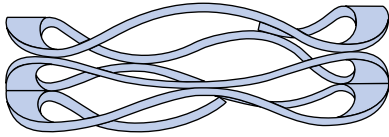
Glossary

Bore Diameter: (See housing diameter)

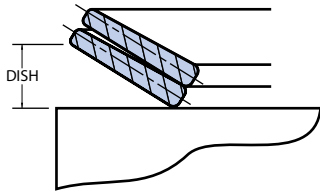
Centrifugal Capacity (N): A mathematical expression for determining the speed (in revolutions per minute, rpm) at which a retaining ring will lose cling on the groove.

Cling: A value that signifies the amount of “interference fit” between a retaining ring and its groove.

Crest-To-Crest: Term used to identify a Smalley Flat Wire Compression spring in a “Series” configuration, having a sinusoidal waveform. The wave contour in each 360° turn provides a peak to valley relationship that decreases spring rate proportionally to the number of turns.

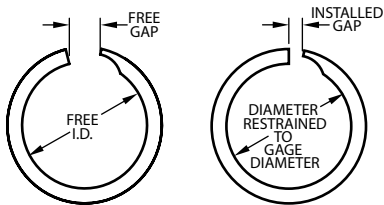


Dish: This ring dimension is the height difference in the ring cross section’s axis of symmetry between O.D. and I.D. as illustrated below:



Edgewinding: Smalley’s manufacturing method of circle coiling rectangular section flat wire on edge.

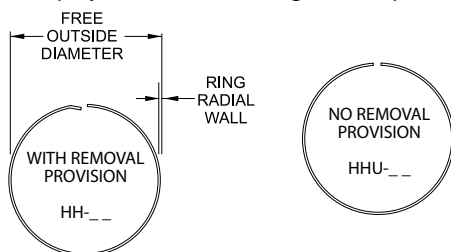
Free Gap: The distance between the “Free Ends” of a ring or spring as it rests in its free state.



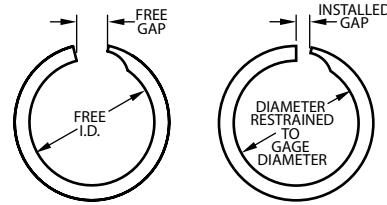
Hardness: The resistance of a material to plastic deformation, usually by indentation.

Helix: (see pitch)

Hoopster: Term used to identify the style of retaining ring with minimal radial projection and shallow groove depth.



Housing Diameter (DH): Also referred to as “bore” diameter. This dimension represents the inside diameter of the assembly where an internal retaining ring is installed.

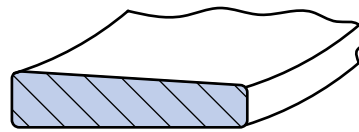


Hydrogen Embrittlement: A condition where hydrogen is absorbed within the internal grain structure of metal tending to make it susceptible to cracking and failure, particularly under sustained loads. Environments such as hydrogen sulfide (H2S) or processes such as electroplating or pickling can induce hydrogen embrittlement.

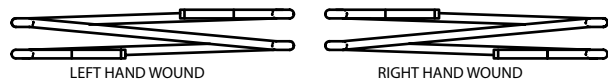
Installed Gap: (see Free Gap) This ring dimension is the distance between the ring ends while the ring is restrained at a specific gage diameter. Recommended as a more precise method of control over a free gap.

Installation Stress (SC) or (SE): Mathematical expression based on a radial strain. Useful in determining how far a Spirolox Retaining Ring can be expanded or contracted during installation.

Keystone: Derived from the definition of a “wedge” shaped stone. This term, illustrated below, refers to the “wedge” shaped cross section as a result of edgewinding flat wire.

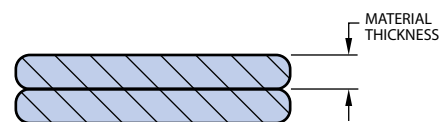


Left Hand Wound: Also referred to as “reverse wound”, design term signifying the counter-clockwise winding direction of a pitched coil.

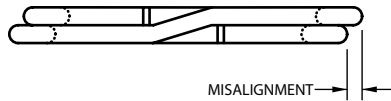


Linear Spring: Term used to identify a straight length of flat wire having a sinusoidal waveform. Used as a compression spring in both axial and radial applications.

Material Thickness (t): Also referred to as “wire” thickness. This dimension, as illustrated below, is useful in determining the overall ring thickness.

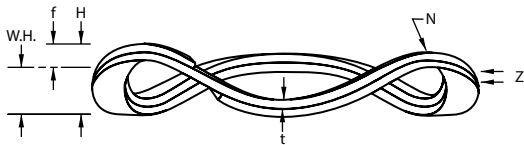


Misalignment: Also referred to as “skew”, this ring dimension is the radial variance of a multiple turn retaining.



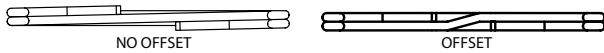
Modulus of elasticity (E): A measure of the rigidity of a material.

Nested: Term used to identify a Smalley Flat Wire Compression Spring in a “Parallel” configuration, having a sinusoidal waveform. The wave contour in each 360° turn matches (nests), increasing the spring rate proportionally to the number of turns.



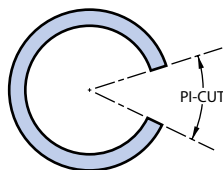
Number of Turns (n): The number of 360° turns of flat wire formed in a retaining ring or wave spring.

Offset: As illustrated below, this design feature is a bend in the material at the gap. This provides flat and parallel surfaces for ease of installation.

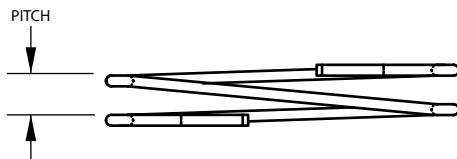


Permanent Set: A ring that has been expanded or contracted to a point where its elastic properties have been exceeded and does not return to its original diameter is said to have taken “permanent set”.

Pi-Cut Ends: Term signifying a particular ring design where the ends have been cut in an angular direction from the center of the ring as illustrated below.



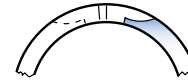
Pitch: Also referred to as helix, this ring dimension is the distance between two adjacent layers of the retaining ring.



Radial Wall (b): Width of a retaining ring when measured from inside to outside edge.

Radius Notch: (see Removal Notch)

Removal Notch: Also referred to as a “radius notch” or “scallop”, this standard Spirolox Retaining Ring design feature is used to facilitate removal of the ring from its groove by means of a screwdriver or similar type tool.



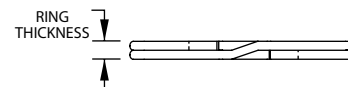
Residual Stress: Stress induced by a cold working process such as edgewinding. It may or may not be beneficial, depending upon the application.

Reverse Wound: (see left hand wound)

Right Hand Wound: Design term signifying the clockwise direction that a Spirolox Retaining Ring is normally wound. (also see Left Hand Wound)



Ring Thickness (T): Total thickness of an edgewound retaining ring. It may be determined by multiplying the material thickness by the number of turns and adding in the keystone value.



Rod Diameter: (see shaft diameter)

Safety Factor (K): Mathematical constant used in many design formulas to account for theoretical inaccuracies.

Scallop: (see Removal Notch)

Shaft Diameter (DS): This dimension represents the outside diameter of the assembly where an external retaining ring is installed.

Shear Strength (SS): An index of the quality of a material through a mathematical expression which divides the force required to shear a material by its cross-sectional area.

Stress Relieve: Low temperature heat treatment for removing any residual stresses induced by edgewinding and/or forming.

Tensile Strength: An index of the quality of a material through a mathematical expression which divides the material’s load capacity in tension by its original cross-sectional area. Particularly accurate for spring steels, as there is only a small difference between ultimate tensile strength and yield strength.

Thrust Load Capacity (PG) or (PR): Overall capacity of an assembly to withstand a given value of thrust load in pounds. The limitation being the lesser of two mathematical calculations: ring thrust load capacity (PR) or groove thrust load capacity (PG).

Yield Strength (Sy): The stress at which a material exhibits initial plastic deformation.

WAVO: Single turn round wire wave spring.



Interchange Listing

SMALLEY®	SPIROLOX® SERIES	MILITARY MIL-DTL-27426	AEROSPACE AS3219	METRIC AEROSPACE MA 4035	EUROPEAN SPECIFICATION DIN	WALDES TRUARC	EATON	INDUSTRIAL RETAINING RING	OTHER RINGS	ANDERTON
VH	UR	---	---	---						
VS	US	---	---	---						
WH	RR	/3	AS4299 AS3217	---						
WS	RS	/1	AS4299 AS3218	---						
WHT	RRT	---	---	---	---	---	NAN	---	UHB	---
WST	RST	---	---	---	---	---	XAN	---	USC	---
WHM	RRN	/4	AS4299 AS3215	---	---	N5000 5008	IN	3000 4000	HO HOI UHO	N1300
WSM	RSN	/2	AS4299 AS3216	---	---	5100 5108	EN	3100 4100	SH SHI USH	N1400
DNH	---	---	---	---	DIN 472	---	---	---	DHO	D1300
DNS	---	---	---	---	DIN 471	---	---	---	DSH	D1400
EH	---	---	---	MA 4017	---	---	---	---	---	---
ES	---	---	---	MA 4016	---	---	---	---	---	---
FH	---	---	---	---	DIN 472	---	---	---	DHO	D1300
FS	---	---	---	---	DIN 471	---	---	---	DSH	D1400
XAH	---	---	---	---	---	---	NAN	---	UHB	---
XAS	---	---	---	---	---	---	XAN	---	USC	---
XDH	---	---	---	---	---	---	ND	---	HN	---
XDS	---	---	---	---	---	---	XD	---	SNL	---
XNH	---	---	---	---	---	---	IN	---	UHO	---
XNS	---	---	---	---	---	---	EN	---	USH	---

Groove Interchange Only
Use a Smalley Retaining Ring to fit into the same groove of these stamped Retaining Rings (circlips).

Notes

WHERE CAN I FIND MORE THAN JUST WORLD-CLASS PRODUCTS?

Ask Smalley. Around the globe, Smalley products have earned a reputation for unsurpassed precision and performance. Our commitment to customer service is no different.

Whether it is providing customized supply chain solutions worldwide, meeting your JIT delivery requirements, or sending you free product samples for your critical test purposes, our customer service professionals know exactly what engineers expect. And we deliver, again and again. See for yourself.

Shelli
Smalley Engineer





SMALLEY

Corporate Headquarters
555 Oakwood Road
Lake Zurich, IL 60047
USA

Phone: 1 (847) 719-5900
Fax: 1 (847) 719-5999
Email: info@smalley.com

SMALLEY EUROPE

Coignières | France

Phone: +33 130 131 575
Email: europe@smalley.com

SMALLEY CHINA

Tianjin | China

Phone: +86 22 8895 6811
Email: china@smalley.com

SMALLEY NORDIC

Alingsås | Sweden

Phone: +46 322 611 770
Email: nordic@smalley.com

SMALLEY WORLDWIDE

Smalley provides customized global supply chain solutions to meet your manufacturing requirements in Europe, Asia Pacific and the Americas. For more information, please contact us at: worldwide@smalley.com

Smalley also has representatives who can provide Spanish and Portuguese language support: americas@smalley.com