

# Assembly Instructions

## M40 Circular – P Series

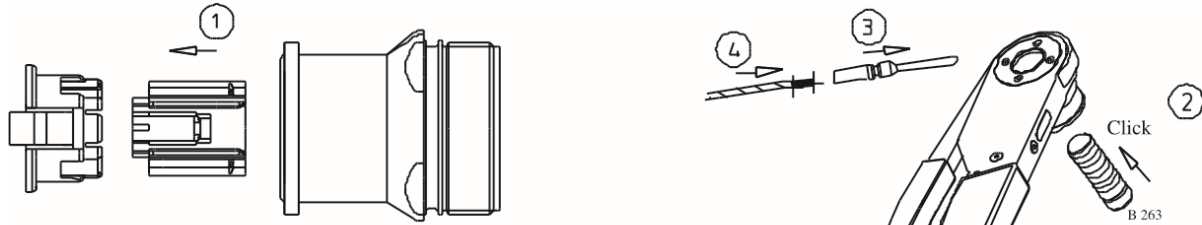
### Robust Circular Power Connectors Size 1.5

Hypertac GmbH, July 2007



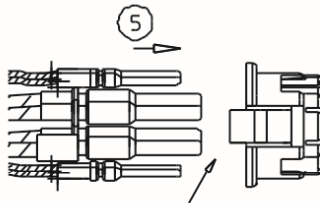
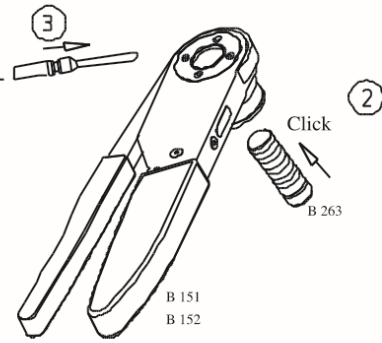
# Assembly Instructions

Receptacle PFFA06C/08C...

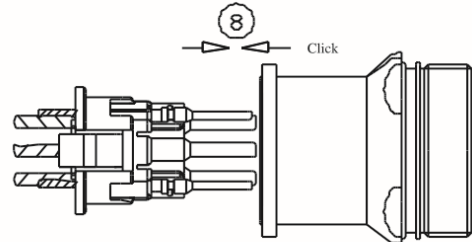
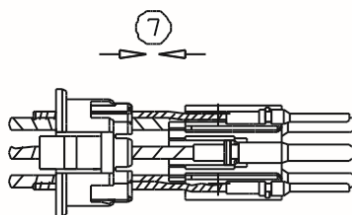
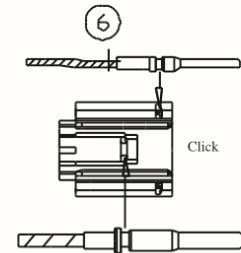
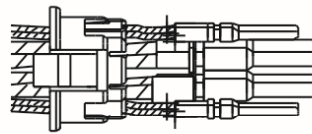


0,24 - 2,5 mm <sup>2</sup>	6,5
2,5 - 4 mm <sup>2</sup>	7,5
4 - 10 mm <sup>2</sup>	9

Abisolierlänge nur Vorschlagswerte  
stripping length only proposals



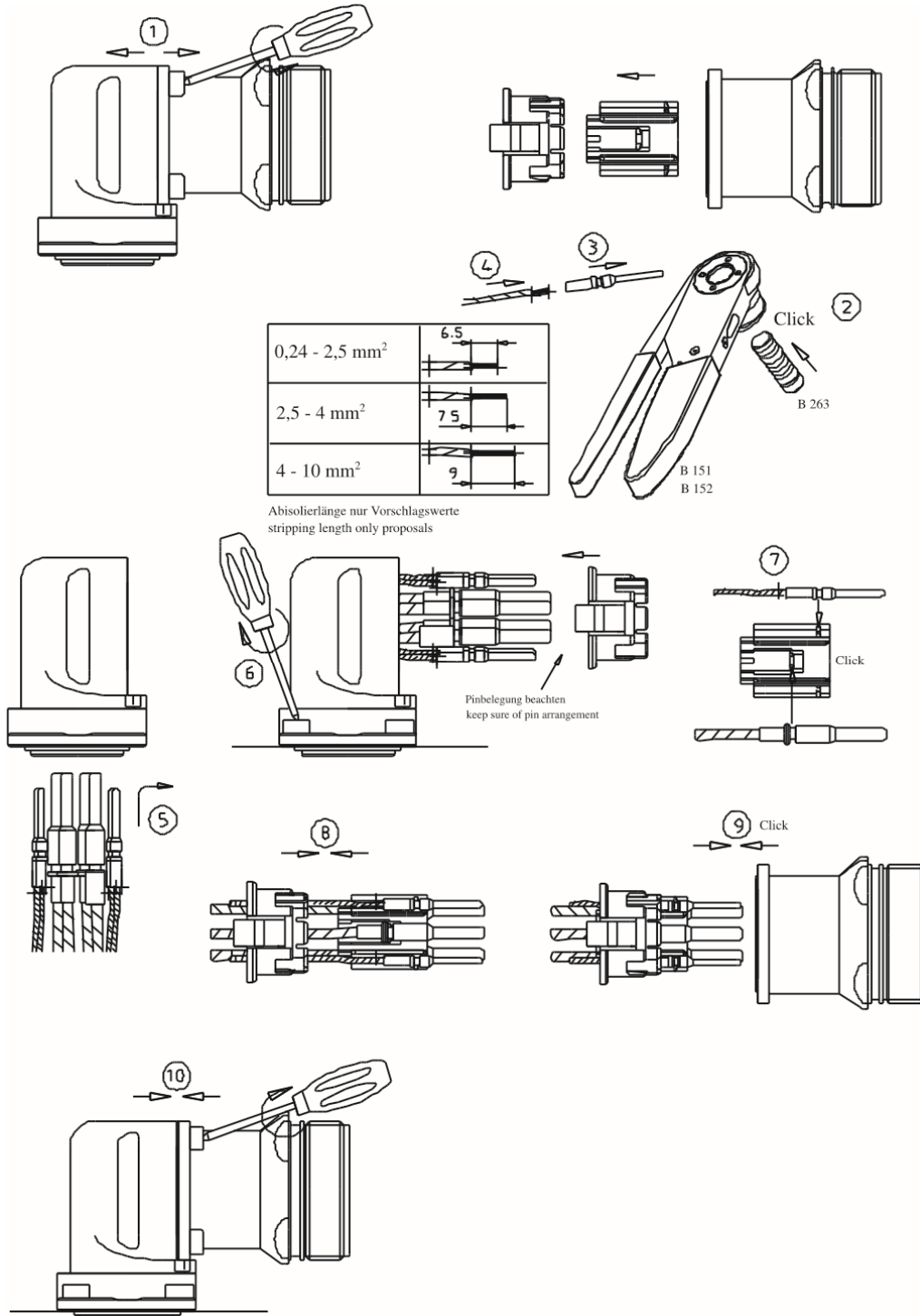
Pinbelegung beachten  
keep sure of pin arrangement



**Note:** After assembly the connector has to be checked for the functions of the safety precautions (according to EN 60204-1, VDE 0113 Teil1)

# Assembly Instructions

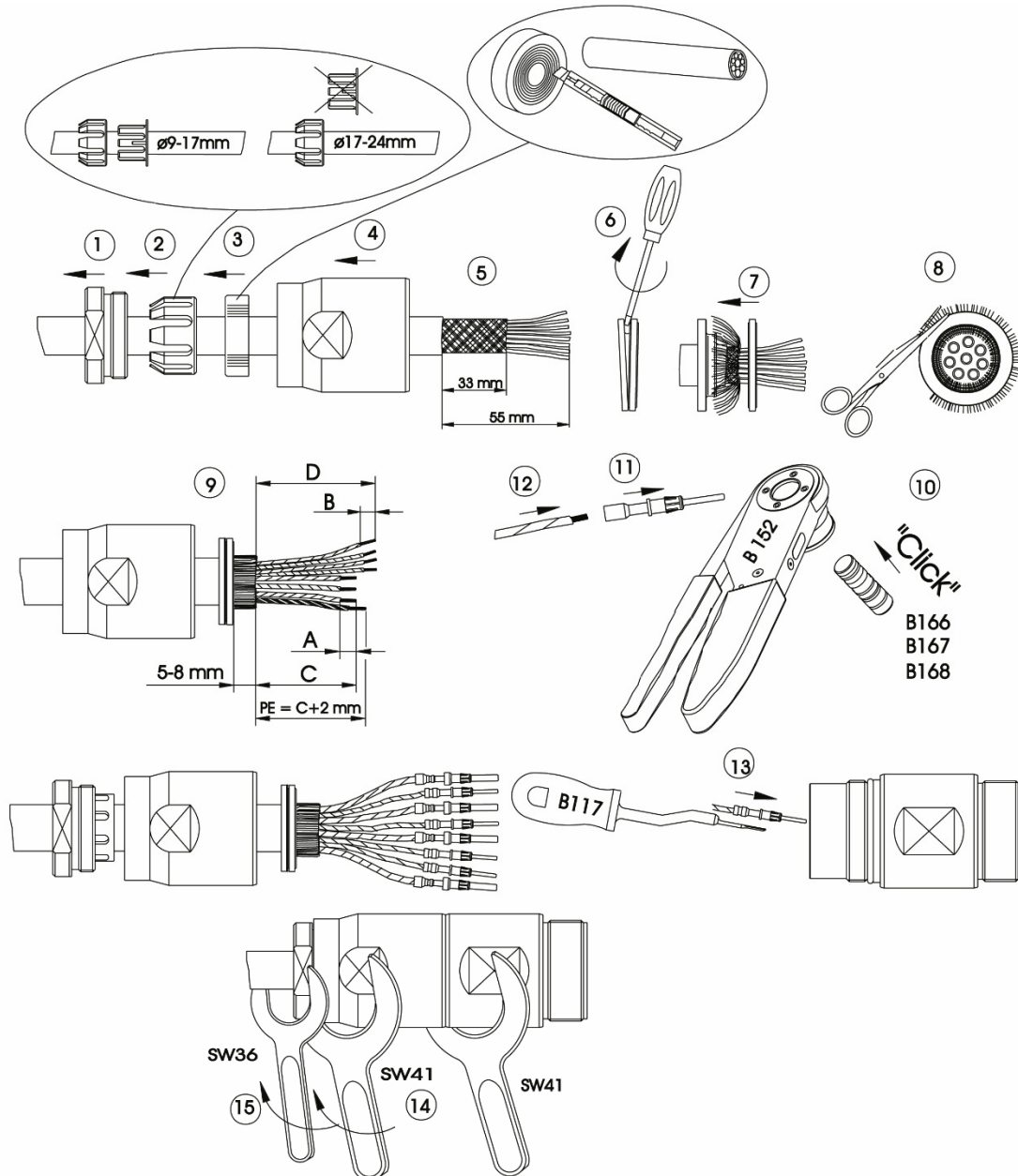
Receptacle PFDM06C/08C...



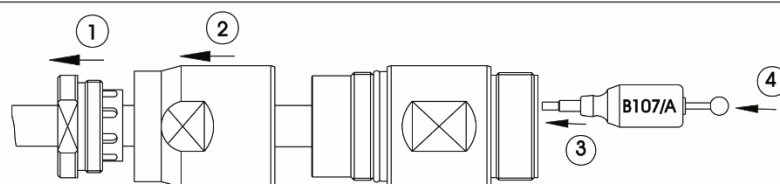
**Note:** After assembly the connector has to be checked for the functions of the safety precautions (according to EN 60204-1, VDE 0113 Teil1)

# Assembly Instructions

Extension PRAF06C/08C...



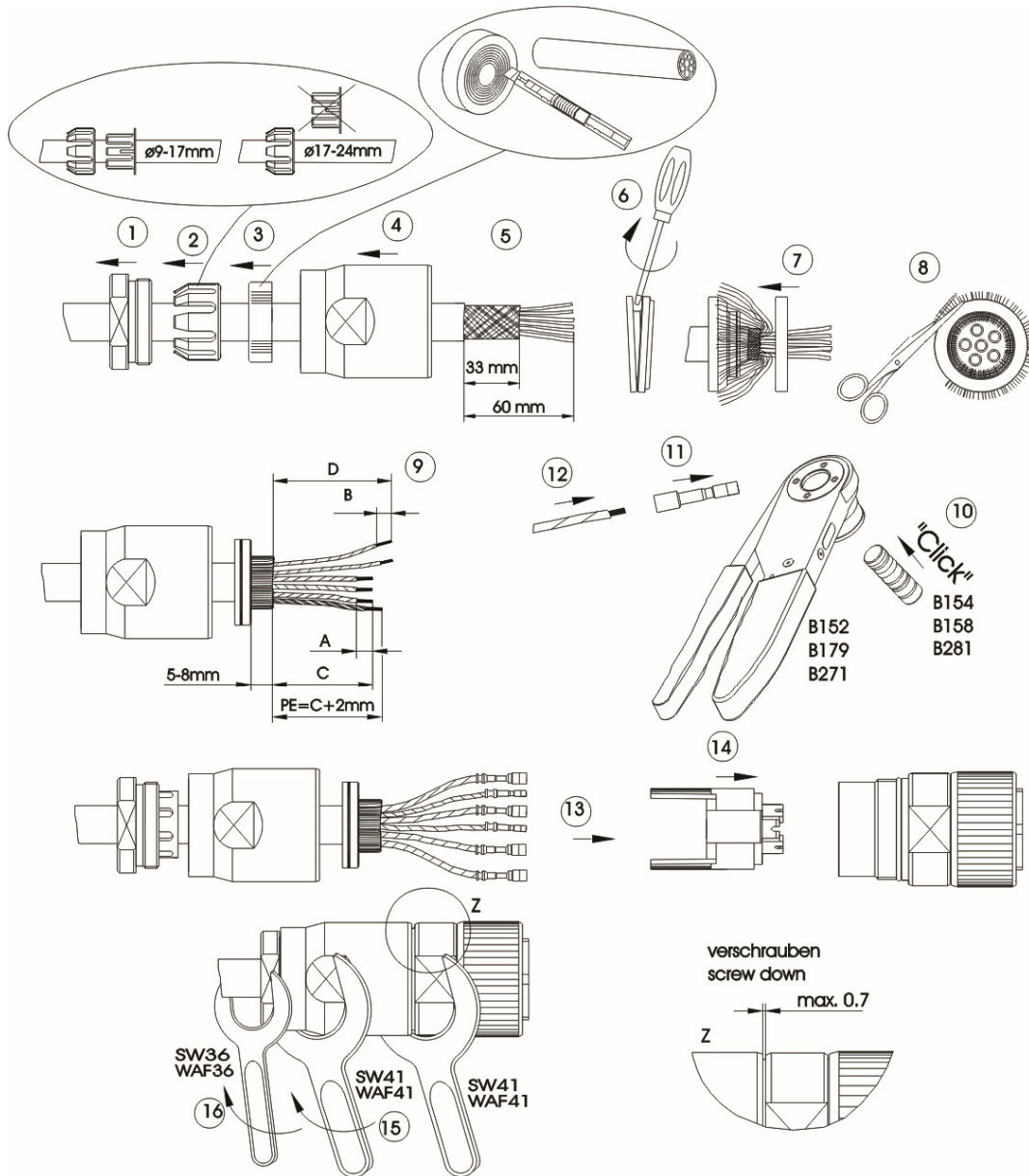
## Demontage Disassembly



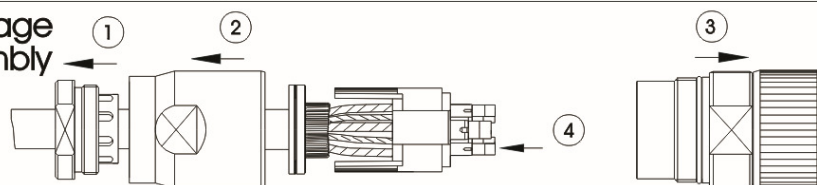
**Note:** After assembly the connector has to be checked for the functions of the safety precautions (according to EN 60204-1, VDE 0113 Teil1)

# Assembly Instructions

Plug PPAF06C/08C...



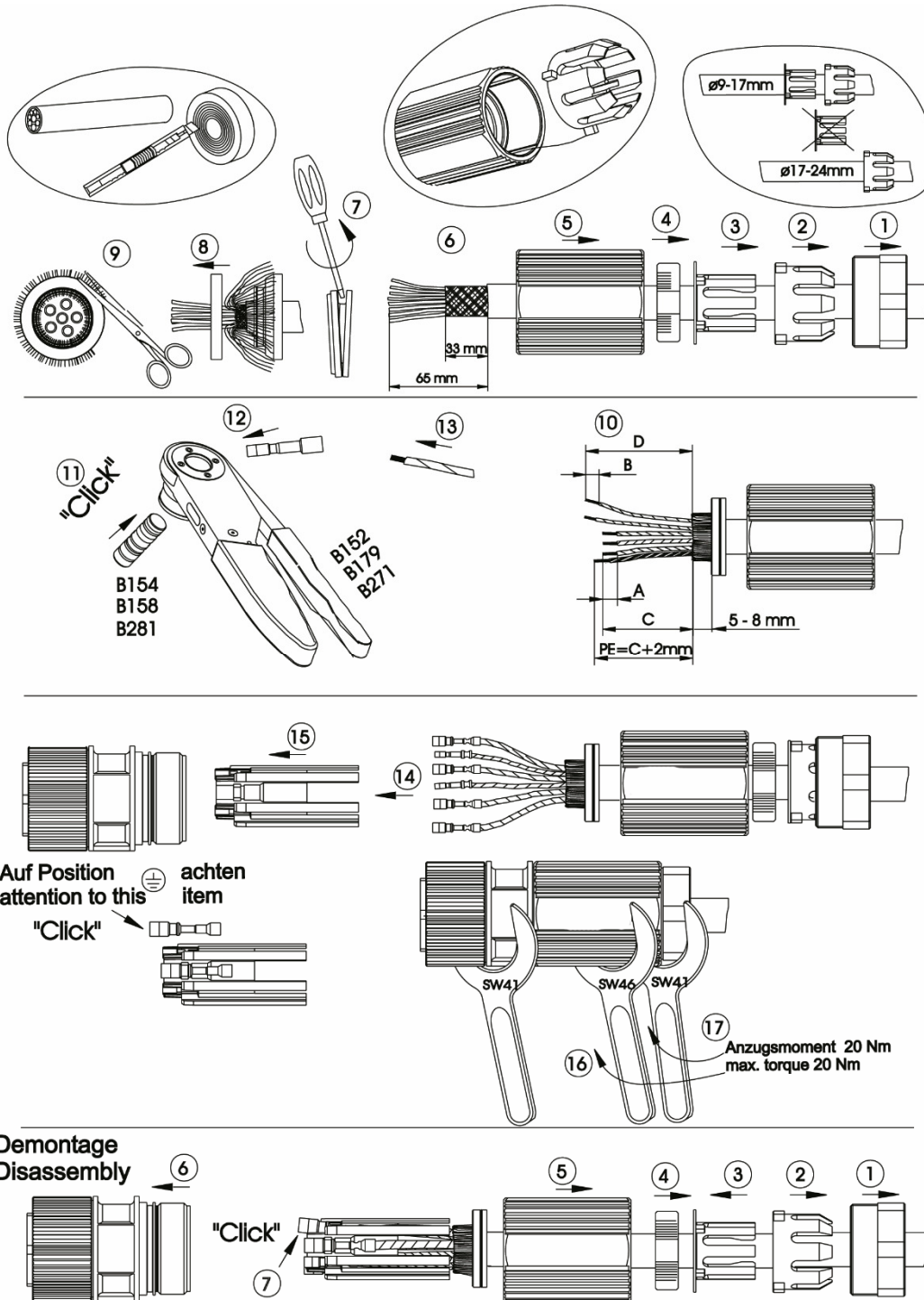
## Demontage Disassembly



**Note:** After assembly the connector has to be checked for the functions of the safety precautions (according to EN 60204-1, VDE 0113 Teil1)

# Assembly Instructions

Plug PPCM06C/08C...



**Note:** After assembly the connector has to be checked for the functions of the safety precautions (according to EN 60204-1, VDE 0113 Teil1)

# Assembly Instructions

## Stripping Lengths

### PPCM...

Leistung power					Signal signal				
Kontaktbelegung contact arrangement	Kontakt contact	Leiterquerschnitt wire range [mm <sup>2</sup> ]	Abisolierlänge strip length A	Länge length C	Kontaktbelegung contact arrangement	Kontakt contact	Leiterquerschnitt wire range [mm <sup>2</sup> ]	Abisolierlänge strip length B	Länge length D
U, V, W, ⊕	020.370.1020	1,5 - 2,5	Isolation-Ø < 2,8 7 mm Isolation-Ø ≥ 2,8 14 mm	53 mm	1, 2, +, -	020.123.1020	0,75 - 2,5	7,5 mm	65 mm
		4,0	7 mm	46 mm					
U, V, W, ⊕	020.371.1020	6,0 - 10,0	Isolation-Ø < 6,4 10,5 mm Isolation-Ø ≥ 6,4 18,5 mm	53 mm					
		2,5							
		16,0	8 mm	44 mm					

### PPAF/DPAF...

Leistung power					Signal signal				
Kontaktbelegung contact arrangement	Kontakt contact	Leiterquerschnitt wire range [mm <sup>2</sup> ]	Abisolierlänge strip length A	Länge length C	Kontaktbelegung contact arrangement	Kontakt contact	Leiterquerschnitt wire range [mm <sup>2</sup> ]	Abisolierlänge strip length B	Länge length D
U, V, W, ⊕	020.370.1020	1,5 - 2,5	Isolation-Ø < 2,8 7 mm Isolation-Ø ≥ 2,8 14 mm	48 mm	1, 2, +, -	020.123.1020	0,75 - 2,5	7,5 mm	60 mm
		4,0	7 mm	41 mm					
U, V, W, ⊕	020.371.1020	6,0 - 10,0	Isolation-Ø < 6,4 10,5 mm Isolation-Ø ≥ 6,4 18,5 mm	51 mm					
		16,0	8 mm	42 mm					

### PRAF/DRAF...

Leistung power					Signal signal				
Kontaktbelegung contact arrangement	Kontakt contact	Leiterquerschnitt wire range [mm <sup>2</sup> ]	Abisolierlänge strip length A	Länge length C	Kontaktbelegung contact arrangement	Kontakt contact	Leiterquerschnitt wire range [mm <sup>2</sup> ]	Abisolierlänge strip length B	Länge length D
U, V, W, ⊕	021.282.2000	1,0 - 2,5	Isolation-Ø < 2,8 7 mm Isolation-Ø ≥ 2,8 13 mm	48 mm	1, 2, +, -	021.285.2000	1,0 - 2,5	7,5 mm	55 mm
		4,0	6 mm	42 mm					
U, V, W, ⊕	021.283.2000	6,0 - 10,0	Isolation-Ø < 6,4 10 mm Isolation-Ø ≥ 6,4 18 mm	48 mm					
		16,0	8 mm	40 mm					

**Note:** After assembly the connector has to be checked for the functions of the safety precautions (according to EN 60204-1, VDE 0113 Teil1)