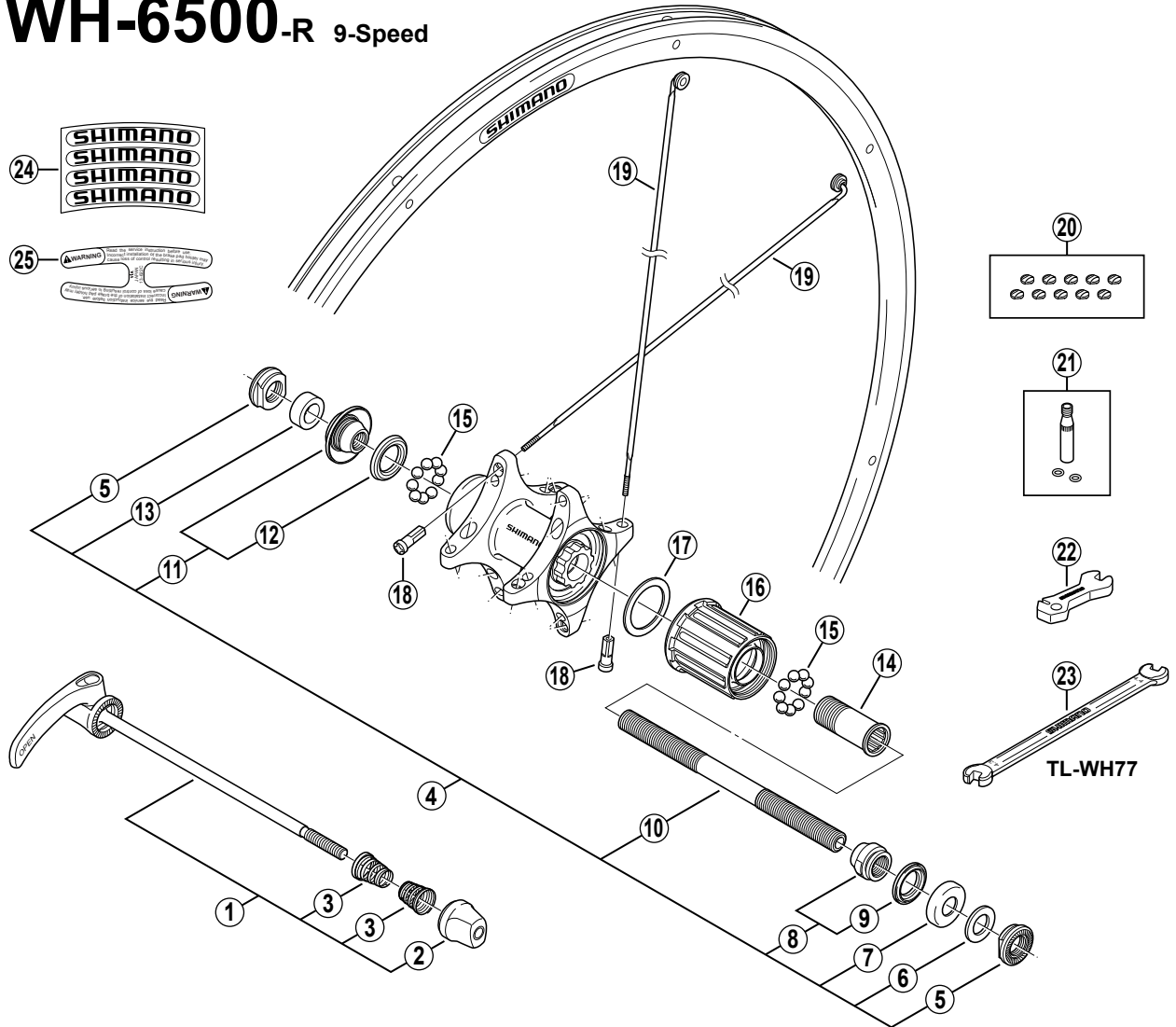


Rear Wheel  
**WH-6500-R** 9-Speed



• Use with CS-6500.

| Q'TY | ITEM NO. | SHIMANO CODE NO. | DESCRIPTION   |
|------|----------|------------------|---|
|      | 1        | Y-32X 90200      | Complete Quick Release 163 mm (6-13/32")              |
|      | 2        | Y-23W91100       | Quick Release Nut                                     |
|      | 3        | Y-231 11000      | Volute Spring   |
|      | 4        | Y-4A3 98010      | Complete Hub Axle 141 mm (5-9/16")                    |
|      | 5        | Y-3A0 22000      | Serated Lock Nut 4.6 mm                               |
|      | 6        | Y-3A0 14000      | Right Hand Washer 1.2 mm                              |
|      | 7        | Y-3A0 05100      | Right Hand Dust Cap                                   |
|      | 8        | Y-32U 98030      | Right Hand Cone (M10 x 13.5 mm) & Seal Ring           |
|      | 9        | Y-214 06000      | Right Hand Seal Ring                                  |
|      | 10       | Y-360 19109      | Hub Axle 141 mm (5-9/16")                             |
|      | 11       | Y-32U 98040      | Left Hand Cone (M10 x 16 mm) w/Dust Cover & Seal Ring |
|      | 12       | Y-377 10000      | Left Hand Seal Ring                                   |
|      | 13       | Y-4A3 02000      | Left Hand Axle Spacer 6.5 mm                          |
|      | 14       | Y-359 04000      | Body Fixing Bolt                                      |
|      | 15       | Y-000 91310      | Steel Ball (1/4") 18 pcs.                             |
|      | 16       | Y-32U 98010      | Complete Freewheel Body w/Right Hand Dust Cap         |
|      | 17       | Y-375 04000      | Freewheel Body Washer                                 |
|      | 18       | Y-4A0 03000      | Nipple  |
|      | 19       | Y-4A0 98060      | Spoke w/Washer  |
|      | 20       | Y-4A0 98070      | Spoke Spacers (10 pcs.)                               |
|      | 21       | Y-4A0 98040      | Valve Extension & O-Rings                             |
|      | 22       | Y-4A0 08000      | Nipple Wrench   |
|      | 23       | Y-4A0 14000      | TL-WH77 Nipple Wrench                                 |
|      | *24      | Y-4A0 98100      | Logo Sticker / 1 sheet (4 pcs.)                       |
|      | *25      | Y-4A0 17000      | Warning Sticker for WH-6500-R-cl                      |
|      |          | Y-4A0 17100      | Warning Sticker for WH-6500-R-tu                      |