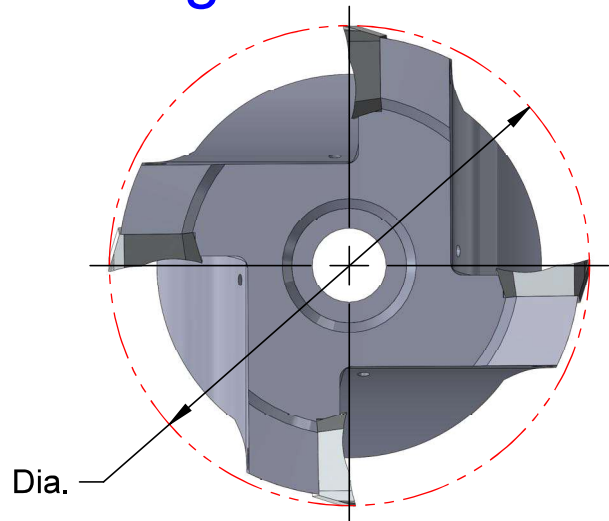
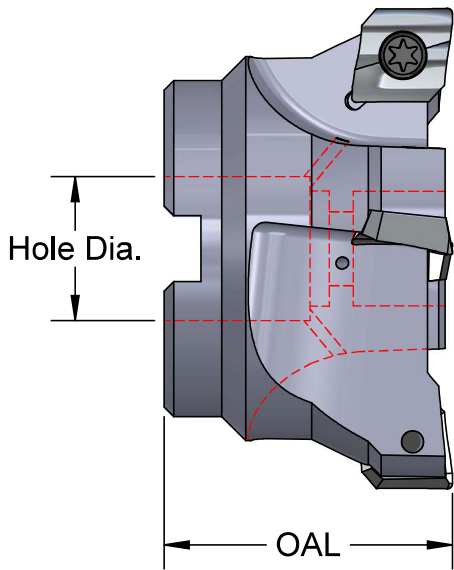


Shell Shear-Hogs®



All cutter prices include inserts, insert screws, coolant screw and wrench

Number	Dia.	Hole Dia.	OAL	No. of Flutes	Price Incl. Inserts	Coolant Screws	
						Size	Price
SHELL 200	2.0	.500	1.25	2 or 3	\$395.	1/4-28	\$7.50
SHELL 250	2.5	.750	1.50	4	\$435.	3/8-24	\$7.50
SHELL 300	3.0	1.00	1.75	4	\$495.	1/2-20	\$8.75
SHELL 400	4.0	1.25	1.87	4	\$575.	5/8-18	\$11.00
SHELL 500	5.0	1.50	2.25	5	\$725.	3/4-16	\$12.50
SHELL 600	6.0	1.50	2.25	6	\$950.	3/4-16	\$12.50
SHELL 700	7.0	1.50	2.25	8	\$1500.	3/4-16	\$12.50

You may use Std. Socket Head screws without thru-tool coolant. Or, use our modified screws with coolant holes



Shear-Hog Inserts	Corner	Price
ADEH-431	.010 R	\$18.75 ea.
ADEH-432	.030 R	\$18.75 ea.
ADEH-434	.060 R	\$18.75 ea.
ADEH-436	.090 R	\$20.50 ea.
ADEH-438	.120 R	\$20.50 ea.
ADEH-45	.015 x 45°	\$20.50 ea.

Extra Insert Features	Add to Price
.002 Honed Edge	\$3.00
AlTiN Coat	\$4.00
DLC Coat	\$5.50
Honed Edge & AlTiN Coat	\$7.00
Insert Screws and Wrench	
3.5mm-SH (2012 and newer)	\$1.75 ea.
8-32-SH (Older than 2012)	\$1.75 ea.
T15 Wrench	\$7.50 ea.

Phone 916 408-2442 FAX 916 408-0740

Toll free phone 866 440-8665



A. B. TOOLS, INC.
1051 Aviation Blvd.
Lincoln, CA, 95648-9312

If any product is not satisfactory we will modify, replace or refund.

www.abtoolsinc.com
E-Mail: mail@abtoolsinc.com