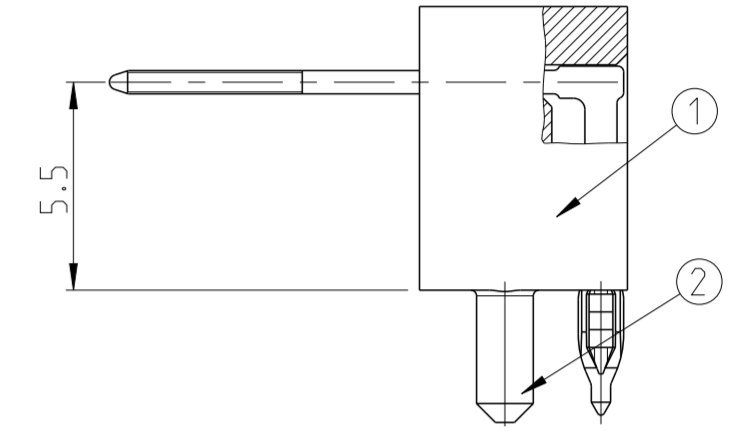
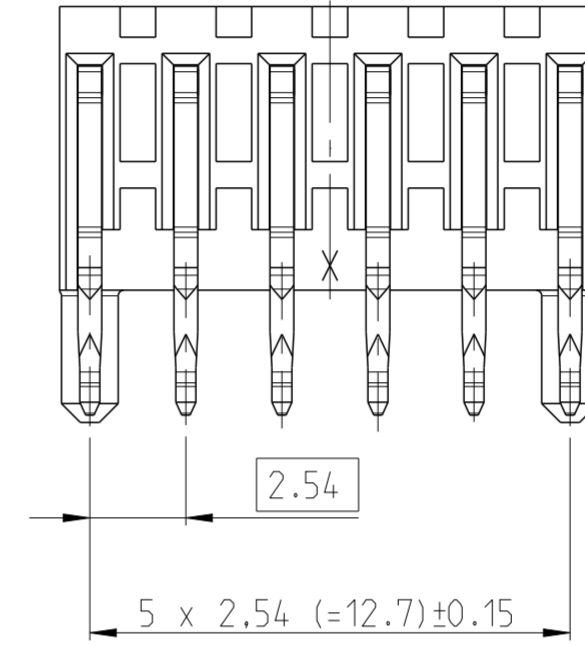
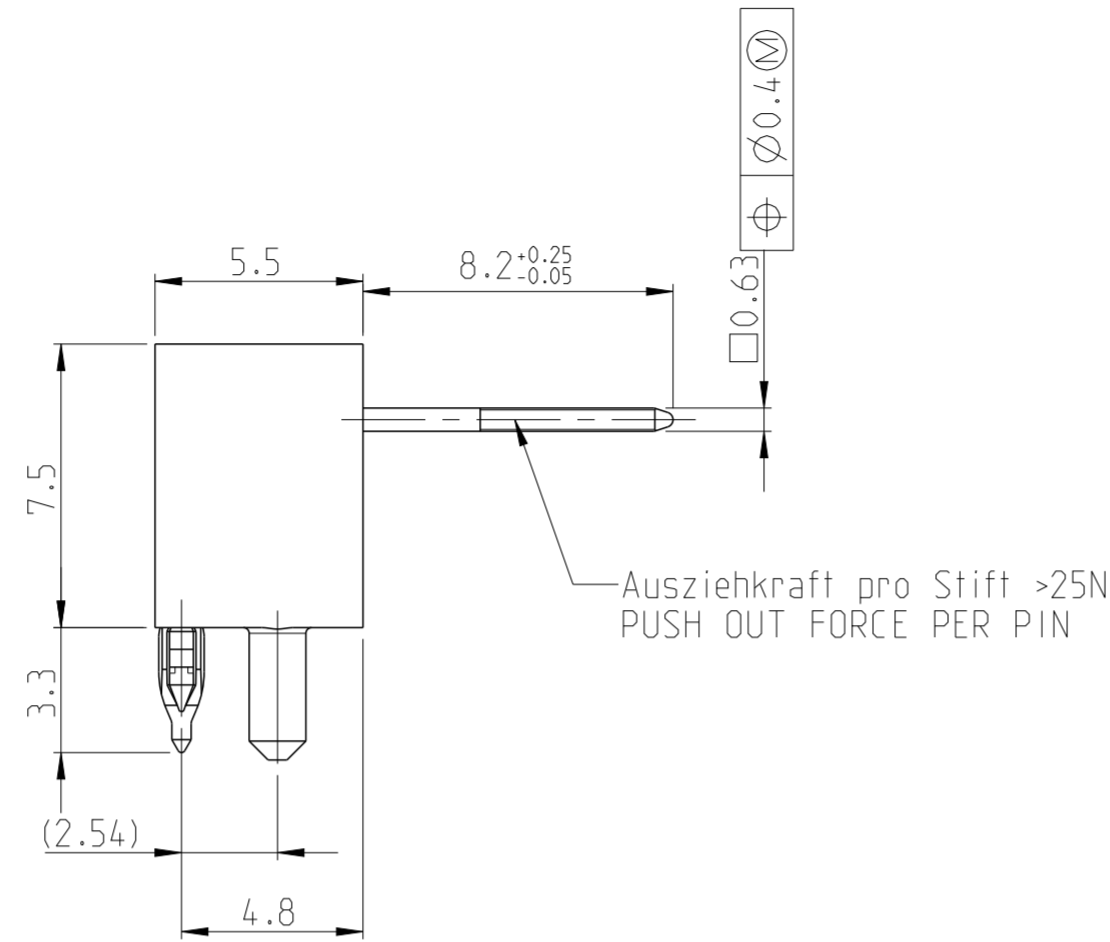
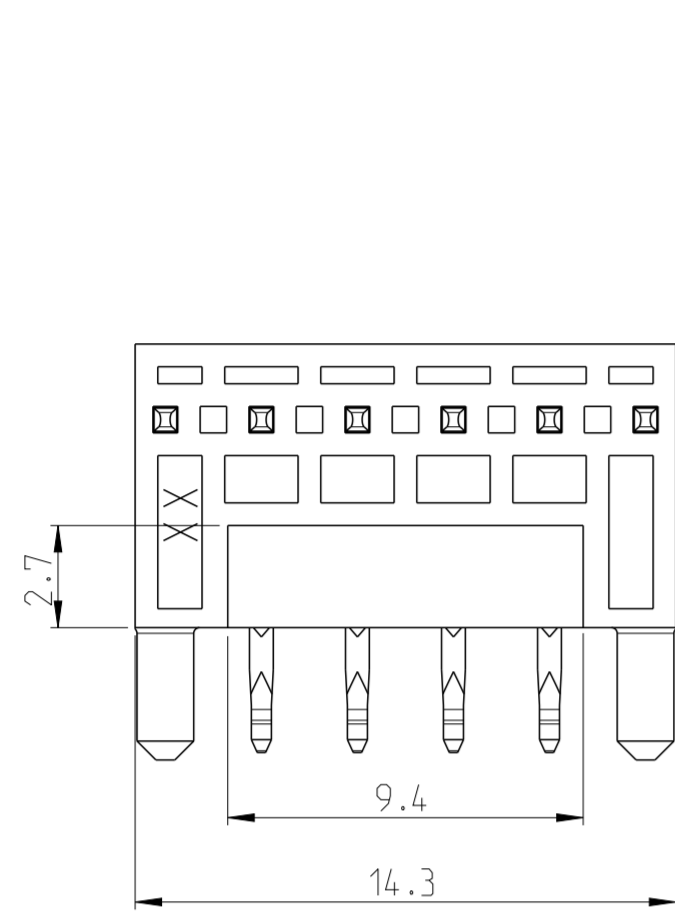
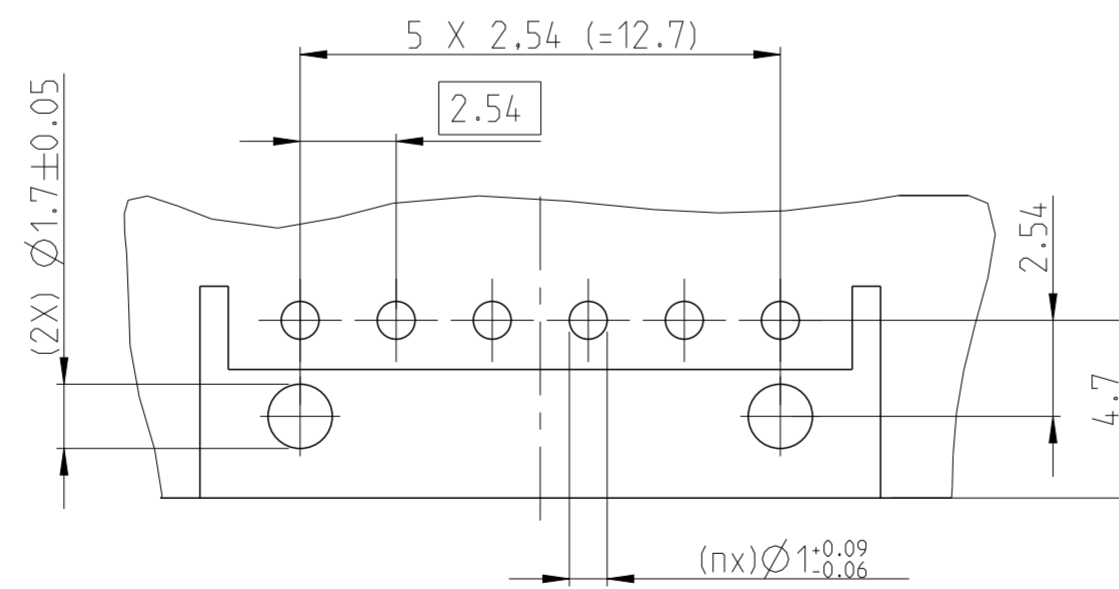
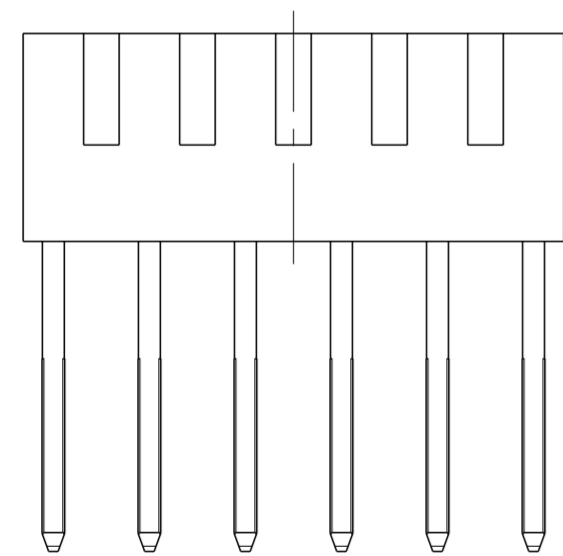


LOC		DIST		REVISIONS			
P	LTR	DESCRIPTION		DATE	DWN	APVD	
A		CONVERSION TO TE STANDARD		30-07-02	KL	MCS	
A1		Verarbeitungsanweisung...hinzu		30-04-03	KL	MCS	
A2		ECR-16-014427		12OCT2016	KK	ZP	



Leiterplattenlochbild M5:1
PCB GRID



Verarbeitungsanweisung zum Einpressen der Stifttraeger
in die Leiterplatte siehe Spec. 114-18594

5-1393472-1 (V23540-B3606-Z11)	A	CuSn6	Sn	TAB	-	2
		PBT-GF30	-	HEADER	NATUR	1
1418542-1	A	CuSn6	Au	TAB	-	2
		PBT-GF30	-	HEADER	NATUR	1
TE ASSY NO.	REV	MATERIAL	SURFACE	DESCRIPTION	COLOUR	ITEM

PARTS LIST

SUPERSEDES EC DRAWING/
 Ersatz fuer EC-Zeichnung
 V23540-B3606-Z11-02-7427

THIS DRAWING IS A CONTROLLED DOCUMENT.		DWN Kleider 08JUL2002	TE Connectivity		
		CHK Schall 08JUL2002			
DIMENSIONS: mm		TOLERANCES UNLESS OTHERWISE SPECIFIED: 0 PLC ± 1 PLC ± 2 PLC ± 3 PLC ± 4 PLC ± ANGLES ±° FINISH		NAME Massbild Stifttraeger DIM. DRAW. PIN SUPPORT	
		APVD - PRODUCT SPEC - APPLICATION SPEC 114-18494 WEIGHT - CUSTOMER DRAWING		SIZE A2 CAGE CODE 00779 DRAWING NO 1418542 RESTRICTED TO -	
		SCALE 5:1		SHEET 1 OF 1 REV A2	